



- U.S.A. : **KUBOTA TRACTOR CORPORATION**
1000 Kubota Drive, Grapevine, TX 76051
Telephone : 888-4KUBOTA
- Canada : **KUBOTA CANADA LTD.**
5900 14th Avenue, Markham, Ontario, L3S 4K4, Canada
Telephone : (905)294-7477
- France : **KUBOTA EUROPE S.A.S**
19-25, Rue Jules Verceyruysse, Z.I. BP88, 95101 Argenteuil Cedex, France
Telephone : (33)1-3426-3434
- Italy : **KUBOTA EUROPE S.A.S Italy Branch**
Via Grandi, 29 20068 Peschiera Borrome (MI) Italy
Telephone : (39)02-51650377
- Germany : **KUBOTA (DEUTSCHLAND) GmbH**
Senefelder Str. 3-5 63110 Rodgau /Nieder-Roden, Germany
Telephone : (49)6106-873-0
- U.K. : **KUBOTA (U.K.) LTD.**
Dormer Road, Thame, Oxfordshire, OX9 3UN, U.K.
Telephone : (44)1844-214500
- Spain : **KUBOTA ESPAÑA S.A.**
Avenida Recomba No.5, Poligno Industrial la Laguna, Leganes, 28914 (Madrid) Spain
Telephone : (34)91-508-6442
- Australia : **KUBOTA AUSTRALIA PTY LTD.**
25-29 Permas Way, Truganina, VIC 3029, Australia
Telephone : (61)-3-9394-4400
- Malaysia : **KUBOTA MALAYSIA SDN. BHD.**
Lot 766, Jalan Subang 4, off Persiaran Subang Sungai Penaga Industrial Park,
47500 Subang Jaya
Telephone : (60)-3-7890-3533
- Philippines: **KUBOTA PHILIPPINES, INC.**
232 Quirino Highway, Baesa, Quezon City 1106, Philippines
Telephone : (63)2-422-3500
- Taiwan : **SHIN TAIWAN AGRICULTURAL MACHINERY CO., LTD.**
16, Fengping 2nd Rd, Taliaw Shiang Kaohsiung 83107, Taiwan R.O.C.
Telephone : (886)7-702-2333
- Indonesia : **PT KUBOTA MACHINERY INDONESIA**
Tower A at EightyEight@Kasablanka Lantai 16
Jalan Raya Casablanka Kav. 88, Jakarta 12870 Indonesia
Telephone : (62)-21-29568-720
- Thailand : **SIAM KUBOTA CORPORATION CO., LTD.**
101/19-24 Moo 20, Navanakorn Industrial Estate, Tambon Khlongnueng, Amphur Khlongluang,
Pathumthani 12120, THAILAND
Telephone : (66)2-909-0300
- Korea : **KUBOTA KOREA CO., LTD.**
41-27, Jayumyeok-gil, Baeksan-myeon, Gimje-si, Jeollabuk-do, Korea
Telephone : (82)-63-544-5822
- India : **KUBOTA AGRICULTURAL MACHINERY INDIA PVT. LTD.**
No.15, Medavakkam Road, Sholinganallur, Chennai-600119, T.N., India
Telephone : (91)44-6104-1500
- Vietnam : **KUBOTA VIETNAM CO., LTD.**
Lot B-3A2-CN, My Phuoc 3 Industrial Park, Thoi Hoa Ward, Ben Cat Town, Binh Duong Province, Vietnam
Telephone : (84)-274-3577-507

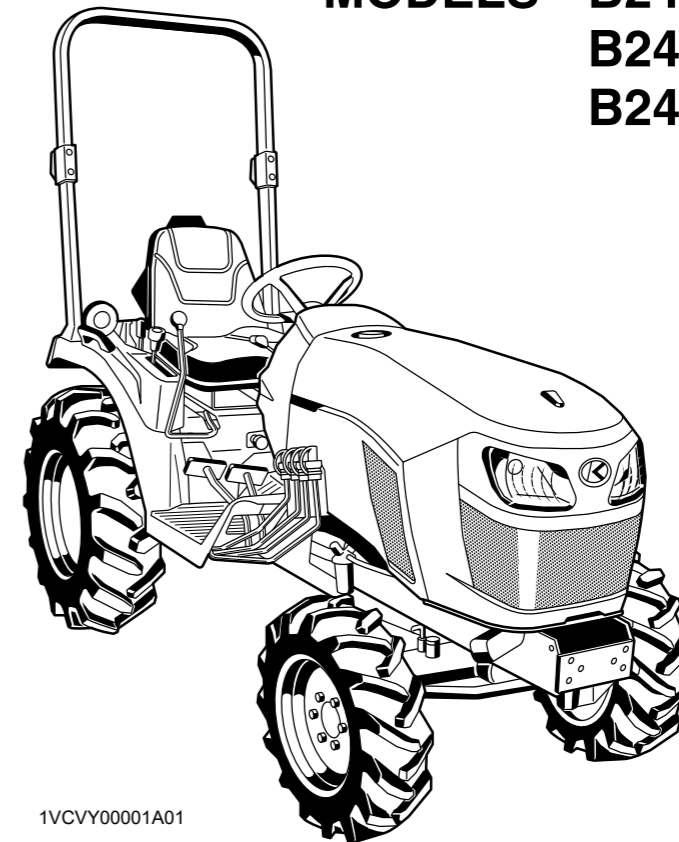
KUBOTA Corporation

English (U.S.A.)
Code No. 6C620-6313-3

OPERATOR'S MANUAL

KUBOTA TRACTOR

**MODELS B2401DT
B2401DTWO
B2401DTN**



1VCVY00001A01

B
2
4
0
1
D
T
·
B
2
4
0
1
D
T
W
O
·
B
2
4
0
1
D
T
N

READ AND SAVE THIS MANUAL



ABBREVIATION LIST

Abbreviations	Definitions
2WD	2-Wheel Drive
4WD	4-Wheel Drive
API	American Petroleum Institute
ASABE	American Society of Agricultural and Biological Engineers, USA
ASTM	American Society of Testing and Materials, USA
DIN	Deutsches Institut für Normung, GERMANY
DT	Dual Traction [4WD]
fpm	Feet Per Minute
GST	Glide Shift Transmission
Hi-Lo	High Speed-Low Speed
HST	Hydrostatic Transmission
m/s	Meters Per Second
PTO	Power Take Off
RH/LH	Right-hand and left-hand sides are determined by facing in the direction of forward travel
ROPS	Roll-Over Protective Structures
rpm	Revolutions Per Minute
r/s	Revolutions Per Second
SAE	Society of Automotive Engineers, USA
SMV	Slow Moving Vehicle

California Proposition 65

⚠ WARNING ⚠

Engine exhaust, some of its constituents, certain vehicle components and fluids, contain or emit chemicals known to the State of California to cause cancer and birth defects or other reproductive harm.

IMPORTANT

The engine in this machine is not equipped by the manufacturer with a standard spark arrester. It is a violation of California Public Resource Code Section 4442 to use or operate this engine on or near any forest-covered, brush-covered land, or grass-covered land unless the exhaust system is equipped with a working spark arrester meeting state laws. Other states or federal areas may have similar laws.

**Canadian Electromagnetic Compatibility (EMC):
This machine complies with Industry Canada ICES-002.**

KUBOTA Corporation is ...

Since its inception in 1890, KUBOTA Corporation has grown to rank as one of the major firms in Japan.

To achieve this status, the company has through the years diversified the range of its products and services to a remarkable extent. 30 plants and 35 000 employees produce over 1 000 different items, large and small.





































All these products and all the services which accompany them, however, are unified by one central commitment. KUBOTA makes products which, taken on a national scale, are basic necessities. Products which are indispensable. Products which are intended to help individuals and nations fulfill the potential inherent in their environment. KUBOTA is the Basic Necessities Giant.

This potential includes water supply, food from the soil and from the sea, industrial development, architecture, construction and transportation.

Thousands of people depend on KUBOTA's know-how, technology, experience and customer service. You too can depend on KUBOTA.

UNIVERSAL SYMBOLS

As a guide to the operation of your tractor, various universal symbols have been utilized on the instruments and controls. The symbols are shown below with an indication of their meaning.

	Safety Alert Symbol		Position Control-Raised Position
	Diesel Fuel		Position Control-Lowered Position
	Fuel-Level		Draft Control-Shallow Position
	Engine-Rotational Speed		Draft Control-Deep Position
	Hourmeter/Elapsed Operating Hours		3-Point Lowering Speed Control
	Engine Coolant-Temperature		Remote Cylinder-Retract
	Clutch		Remote Cylinder-Extend
	Brake		Lock
	Parking Brake		Unlock
	Battery Charging Condition		Hazard Warning Lights
	Engine Oil-Pressure		Master Lighting Switch
	Turn Signal		Headlight
	Engine-Stop		4-Wheel Drive-On
	Engine-Run		4-Wheel Drive-Off
	Diesel Preheat/Glow Plugs (Low Temperature Start Aid)		Fast
	Starter Control		Slow
	Power Take-Off Clutch Control-Off Position		Read Operator's Manual
	Power Take-Off Clutch Control-On Position		Engine Speed Control
	Differential Lock		

FOREWORD

You are now the proud owner of a KUBOTA Tractor. This tractor is a product of KUBOTA quality engineering and manufacturing. It is made of fine materials and under a rigid quality control system. It will give you long, satisfactory service. To obtain the best use of your tractor, please read this manual carefully. It will help you become familiar with the operation of the tractor and contains many helpful hints about tractor maintenance. It is KUBOTA's policy to utilize as quickly as possible every advance in our research. The immediate use of new techniques in the manufacture of products may cause some small parts of this manual to be outdated. KUBOTA distributors and dealers will have the most up-to-date information. Please do not hesitate to consult with them.

SAFETY FIRST

This symbol, the industry's "Safety Alert Symbol", is used throughout this manual and on labels on the machine itself to warn of the possibility of personal injury. Read these instructions carefully. It is essential that you read the instructions and safety regulations before you attempt to assemble or use this unit.



DANGER : Indicates an imminently hazardous situation which, if not avoided, will result in death or serious injury.



WARNING : Indicates a potentially hazardous situation which, if not avoided, could result in death or serious injury.



CAUTION : Indicates a potentially hazardous situation which, if not avoided, could result in minor or moderate injury.

IMPORTANT : Indicates that equipment or property damage could result if instructions are not followed.

NOTE : Gives helpful information.

CONTENTS

SAFE OPERATION	5
SERVICING OF THE TRACTOR	17
DEALER SERVICE.....	17
1. Warranty of the tractor.....	17
2. Scrapping the tractor and its procedure.....	18
SPECIFICATIONS	19
SPECIFICATION TABLE.....	19
TRAVELING SPEEDS.....	20
IMPLEMENT LIMITATIONS	21
INSTRUMENT PANEL AND CONTROLS	23
INSTRUMENT PANEL, SWITCHES AND HAND CONTROLS.....	23
FOOT AND HAND CONTROLS.....	24
PRE-OPERATION CHECK	25
DAILY CHECK.....	25
OPERATING THE ENGINE	26
STARTING THE ENGINE.....	26
1. Block heater (option).....	28
STOPPING THE ENGINE.....	28
WARMING UP OF THE ENGINE.....	28
1. Warm-up transmission oil at low ambient temperatures.....	28
JUMP STARTING THE ENGINE.....	28
OPERATING THE TRACTOR	30
OPERATING NEW TRACTOR.....	30
1. Do not operate the tractor at full speed for the first 50 hours.....	30
2. Changing lubricating oil for new tractors.....	30
BOARDING AND LEAVING THE TRACTOR.....	30
OPERATING THE FOLDABLE ROPS.....	30
1. Folding the ROPS.....	30
2. Raising the ROPS to upright position.....	31
3. Adjustment of foldable ROPS.....	31
STARTING THE TRACTOR.....	32
1. Adjusting the operator's position.....	32
1.1 Operator's seat.....	32
1.2 Seat belt.....	32
2. Operator presence control (OPC) system.....	32
3. Selecting light switch position.....	32
3.1 Head light / turn signal / hazard light switch.....	32
3.2 Tractor lights.....	33
3.3 Brake pedals (right and left).....	33
3.4 Clutch pedal.....	34
3.5 Main gear shift lever and range gear shift lever (L-M-H).....	34
3.6 Front wheel drive lever.....	35
3.7 Hand throttle lever.....	35
3.8 Foot throttle.....	35
3.9 Parking brake.....	36
STOPPING.....	36
1. Stopping.....	36
CHECK DURING DRIVING.....	36
1. Case to stop the engine immediately.....	36

2. Easy Checker	36
3. Fuel gauge.....	36
4. Coolant temperature gauge.....	37
5. Hourmeter / tachometer.....	37
PARKING	37
1. Parking brake	37
OPERATING TECHNIQUES.....	38
1. Differential lock	38
2. Operating the tractor on a road	38
3. Operating on slopes or rough terrain.....	38
4. Directions for use of power steering	39
5. Electrical outlet	39
PTO	40
PTO OPERATION.....	40
1. PTO gear shift lever.....	40
2. PTO shaft cover and shaft cap	41
3. Stationary PTO	41
3-POINT HITCH AND DRAWBAR.....	42
3-POINT HITCH.....	43
1. Make preparations for attaching implement	43
1.1 Selecting the holes of lifting rods and lower links.....	43
1.2 Selecting the top link mounting holes.....	43
1.3 Drawbar.....	43
2. Attaching and detaching implements.....	43
2.1 Lifting rod (right).....	43
2.2 Top link	43
2.3 Telescopic stabilizers	43
DRAWBAR.....	44
1. Adjusting drawbar length	44
HYDRAULIC UNIT.....	45
3-POINT HITCH CONTROL SYSTEM.....	45
1. Position control	45
2. 3-point hitch lowering speed.....	45
AUXILIARY HYDRAULICS	45
1. Hydraulic block type outlet.....	45
1.1 Rear outlet.....	46
DUAL REMOTE HYDRAULIC CONTROL SYSTEM [B2401DT ONLY]	47
1. Control lever and hydraulic hose connections.....	47
2. Loader / remote control valve lever	47
3. Valve lock.....	48
4. Hydraulic control unit use reference chart	49
TIRES, WHEELS, AND BALLAST	50
TIRES.....	50
1. Inflation pressure	50
2. Dual tires	50
WHEEL ADJUSTMENT	51
1. Front wheels	51
2. Rear wheels.....	52
2.1 Adjusting the rear wheels	52
BALLAST	54
1. Front ballast	54
1.1 Front end weights (option)	54
2. Rear ballast	55
2.1 Liquid ballast in rear tires	55
2.2 Rear wheel weights (option) [B2401DTN only]	55

MAINTENANCE	57
SERVICE INTERVALS.....	57
LUBRICANTS, FUEL AND COOLANT	59
1. Biodiesel fuel (BDF).....	61
PERIODIC SERVICE	63
HOW TO OPEN THE HOOD	63
1. Hood	63
1.1 Open the hood	63
1.2 Close the hood	63
2. Engine side cover	64
DAILY CHECK	64
1. Walk around inspection	64
2. Checking and refueling	64
3. Checking engine oil level	64
4. Checking transmission fluid level	65
5. Checking coolant level.....	65
6. Cleaning evacuator valve	66
7. Cleaning grill and radiator screen	66
8. Checking brake pedals and clutch pedal	66
9. Checking the gauges, meter, and Easy Checker	66
10. Checking the head light, hazard light, and so on.....	66
11. Checking and cleaning of electrical wiring and battery cables.....	67
12. Checking seat belt and ROPS	67
13. Checking movable parts	67
EVERY 50 HOURS	67
1. Lubricating grease fittings.....	67
2. Checking engine start system	68
3. Checking wheel bolt torque	69
4. Checking dust covers (tie-rod, drag-link).....	69
5. Checking lower link set bolt	70
EVERY 100 HOURS	70
1. Battery	70
2. Cleaning air cleaner primary element.....	71
3. Cleaning fuel filter	72
4. Adjusting the fan belt tension	73
5. Adjusting clutch pedal.....	73
6. Adjusting the brake pedal	73
EVERY 200 HOURS	74
1. Replacing engine oil filter	74
2. Changing engine oil.....	74
EVERY 400 HOURS	75
1. Adjusting front axle pivot [4WD]	75
2. Changing transmission fluid / replacing hydraulic oil filter	75
3. Replacing the fuel filter element	76
4. Changing front axle case oil	76
5. Lubricating grease fittings.....	77
EVERY 800 HOURS	77
1. Adjusting the engine valve clearance	77
EVERY 1000 HOURS OR 1 YEAR.....	77
1. Replacing air cleaner primary element and secondary element.....	77
EVERY 1500 HOURS	78
1. Checking fuel injection nozzle injection pressure	78
EVERY 2000 HOURS OR 2 YEARS	78
1. Flushing cooling system and changing coolant	78
2. Antifreeze	78
EVERY 3000 HOURS	79
1. Checking the injection pump	79

EVERY 1 YEAR	79
1. Checking the intake air line	79
2. Checking radiator hoses and clamps	79
3. Checking the fuel line	80
EVERY 4 YEARS	80
1. Replacing the radiator hose (water pipes)	80
2. Replacing fuel hose	80
3. Replacing the intake air line	80
SERVICE AS REQUIRED	80
1. Bleeding fuel system	80
2. Draining clutch housing water	80
3. Replacing fuse	81
4. Replacing light bulb	81
5. Replacing radiator hose (water pipes)	81
6. Replacing fuel lines	81
7. Replacing intake air line	81
8. Washing the tractor	81
STORAGE	83
TRACTOR STORAGE	83
REMOVING THE TRACTOR FROM STORAGE	83
TROUBLESHOOTING	84
ENGINE TROUBLESHOOTING	84
OPTIONS	85
INDEX	86

SAFE OPERATION

Careful operation is your best insurance against an accident.

Read and understand this manual carefully before operating the tractor.

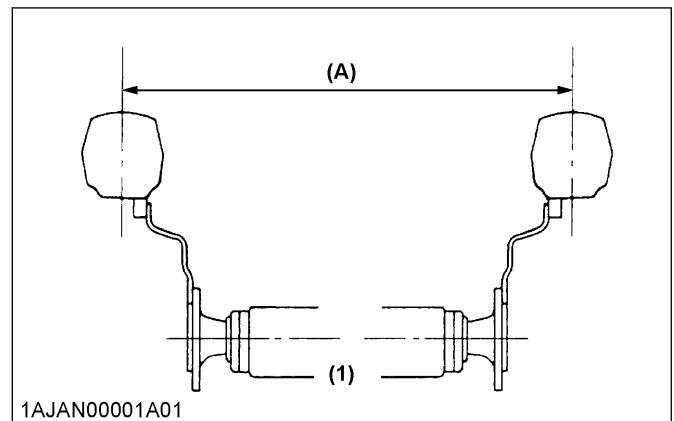
All operators, no matter how much experience they may have, should read this and other related manuals before operating the tractor or any implement attached to it. It is the owner's obligation to instruct all operators in safe operation.

BEFORE OPERATING THE TRACTOR

- Know your equipment and its limitations. Read this entire manual before attempting to start and operate the tractor.
- Pay special attention to the safety labels on the tractor.
- Do not operate the tractor or any implement attached to it while under the influence of alcohol, medication, controlled substances or while fatigued.
- Carefully check the vicinity before operating tractor or any implement attached to it. Do not allow any bystanders around or near tractor during operation.
- Before allowing other people to use your tractor, explain how to operate and have them read this manual before operation.
- Never wear loose, torn, or bulky clothing around tractor. It may catch on moving parts or controls, leading to the risk of an accident. Use additional safety items, e.g. hard hat, safety boots or shoes, eye and hearing protection, gloves, etc., as appropriate or required.
- Do not allow passengers to ride on any part of the tractor at anytime. The operator must remain in the tractor seat during operation.
- Check brakes, clutch, linkage pins and other mechanical parts for improper adjustment and wear. Replace worn or damaged parts promptly. Check the tightness of all nuts and bolts regularly. (For further details, see SERVICE INTERVALS on page 57)
- Keep your tractor clean. Dirt, grease, and trash build up may contribute to fires and lead to personal injury.
- Use only implements meeting the specifications listed under IMPLEMENT LIMITATIONS on page 21 or implements approved by KUBOTA.
- Use proper weights on the front or rear of the tractor to reduce the risk of upsets. When using the front loader, put an implement or ballast on the 3-point hitch to improve stability. Follow the safe

operating procedures specified in the implement or attachment manual.

- The narrower the tread, the greater the risk of a tractor upset. For maximum stability, adjust the wheels to the widest practical tread width for your application. (See Front wheels on page 51, Rear wheels on page 52)



(1) Rear wheels (A) Tread width

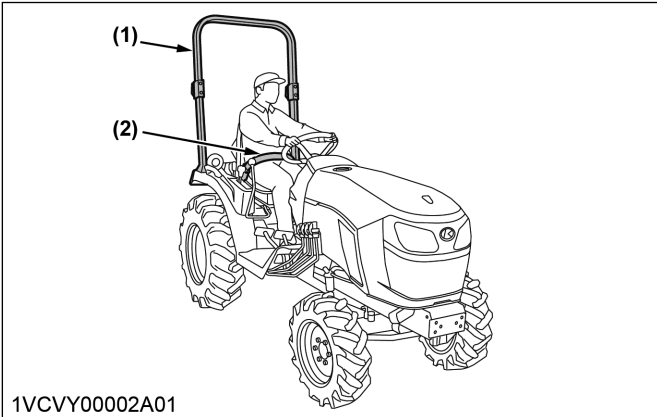
- Do not modify the tractor. Unauthorized modification may affect the function of the tractor, which may result in personal injury.

1. CAB and ROPS

- KUBOTA recommends the use of a CAB or roll over protective structures (ROPS) and seat belt in almost all applications. This combination will reduce the risk of serious injury or death, should the tractor be upset. Check for overhead clearance which may interfere with a CAB or ROPS.
- Set parking brake and stop engine. Remove any obstruction that may prevent raising or folding of the ROPS. Do not allow any bystanders. Always perform function from a stable position at the rear of the tractor. Hold the top of the ROPS securely when raising or folding. Make sure all pins are installed and locked.
- If the CAB or ROPS is loosened or removed for any reason, make sure that all parts are reinstalled correctly before operating the tractor.
- Never modify or repair any structural member of a CAB or ROPS because welding, bending, drilling, grinding, or cutting may weaken the structure.
- If any structural member of the CAB or ROPS is damaged, replace the entire structure at your local KUBOTA Dealer.

SAFE OPERATION

- If the tractor is equipped with a foldable ROPS it may be temporarily folded down only when absolutely necessary for areas with height constraints. (There is no operator protection provided by the ROPS in the folded position. For operator safety the ROPS should be placed in the upright and locked position and the seat belt fastened for all other operations.)
- Always use the seat belt if the tractor has a CAB or ROPS. Do not use the seat belt if a foldable ROPS is down or there is no ROPS. Check the seat belt regularly and replace if frayed or damaged.



1VCVY00002A01

(1) ROPS

(2) Seat belt

OPERATING THE TRACTOR

Operator safety is a priority. Safe operation, specifically with respect to overturning hazards, entails understanding the equipment and environmental conditions at the time of use. Some prohibited uses which can affect overturning hazards include traveling and turning with implements and loads carried too high etc. This manual sets forth some of the obvious risks, but the list is not, and cannot be, exhaustive. It is the operator's responsibility to be alert for any equipment or environmental condition that could compromise safe operation.

1. Starting to operate the tractor

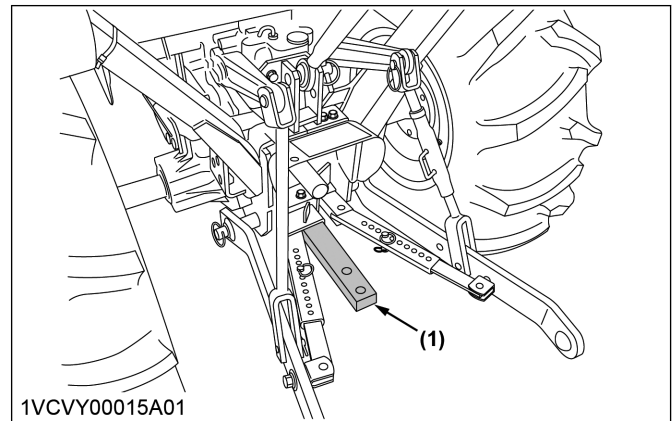
- Always sit in the operator's seat when starting engine or operating levers or controls. Adjust seat per instructions in the operating the tractor section. Never start engine while standing on the ground.
- Before starting the engine, make sure that all levers (including auxiliary control levers) are in their neutral positions, that the parking brake is engaged, and that both the clutch and the power take-off (PTO) are disengaged or "OFF".
Fasten the seat belt if the tractor has a CAB or a foldable ROPS in the upright and locked position.
- Do not start engine by shorting across starter terminals or bypassing the safety start switch.

Machine may start in gear and move if normal starting circuitry is bypassed.

- Do not operate or idle engine in a non-ventilated area. Carbon monoxide gas is colorless, odorless, and deadly.
- Check before each use that operator presence controls are functioning correctly. Test safety systems.
(See Checking engine start system on page 68)
Do not operate unless they are functioning correctly.

2. Working the tractor

- Pull only from the drawbar. Never hitch to axle housing or any other point except drawbar; such arrangements will increase the risk of serious personal injury or death due to a tractor upset.



1VCVY00015A01

(1) Drawbar

- For trailing PTO-driven implements, set the drawbar to the towing position.
- Attach pulled or towed loads to the drawbar only.
- Keep all shields and guards in place. Replace any that are missing or damaged.
- Avoid sudden starts. To avoid upsets, slow down when turning, on uneven ground, and before stopping.
- The tractor cannot turn with the differential locked and attempting to do so could be dangerous.
- Do not operate near ditches, holes, embankments, or other ground surface features which may collapse under the tractor's weight. The risk of tractor upset is even higher when the ground is loose or wet. Tall grass can hide obstacles, walk the area first to be sure.
- Watch where you are going at all times. Watch for and avoid obstacles. Be alert at row ends, near trees, and other obstructions.
- When working in groups, always let the others know what you are going to do before you do it.
- Never try to get on or off a moving tractor.
- Always sit in the operator's seat when operating levers or controls.

- Do not stand between tractor and implement or trailed vehicle unless parking brake is applied.

3. Safety for children

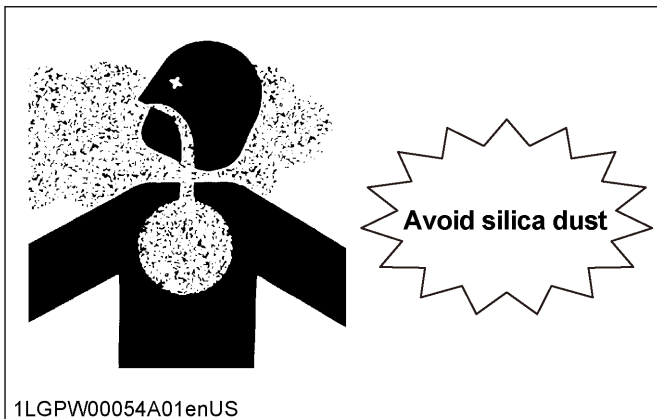
Tragedy can occur if the operator is not alert to the presence of children. Children generally are attracted to machines and the work they do.

- Never assume that children will remain where you last saw them.
- Keep children out of the work area and under the watchful eye of another responsible adult.
- Be alert and shut your machine down if children enter the work area.
- Never carry children on your machine. There is no safe place for them to ride. They may fall off and be run over or interfere with your control of the machine.
- Never allow children to operate the machine even under adult supervision.
- Never allow children to play on the machine or on the implement.
- Use extra caution when backing up. Look behind and down to make sure area is clear before moving.

4. Avoiding crystalline silica (quartz) dust

To avoid serious injury or death from silica dust:

- Avoid exposure to dust containing crystalline silica particles.
This dust can cause serious injury to the lungs (silicosis).
Because crystalline silica is a basic component of sand and granite, many activities at construction sites produce dust containing crystalline silica.
Trenching, sawing and boring of material containing crystalline silica can produce dust containing crystalline silica.



- If dust which contains crystalline silica is present, there are guidelines which should be followed:

- Be aware of the potential health effects of crystalline silica and that smoking may add to the damage.
- Be aware of and follow OSHA (or other local, State or Federal) guidelines for exposure to airborne crystalline silica.
- Know the work operations where exposure to crystalline silica may occur.
- Participate in air monitoring or training programs offered by the employer.
- Be aware of and use optional equipment controls such as water sprays, local exhaust ventilation, and enclosed CABs with positive pressure air conditioning, if the machine has such equipment. Otherwise respirators shall be worn.
- Where respirators are required, wear a respirator approved for protection against crystalline silica containing dust. Do not alter the respirator in any way. Workers who use tight-fitting respirators cannot have beards/mustaches which interfere with the respirator seal to the face.
- If possible, change into disposable or washable work clothes at the work site; shower and change into clean clothing before leaving the work site.
- Do not eat, drink, use tobacco products, or apply cosmetics in areas where there is dust containing crystalline silica.
- Store food, drink and personal belongings away from the work area.
- Wash hands and face before eating, drinking, smoking, or applying cosmetics after leaving the exposure area.

5. Operating on slopes

Slopes are a major factor related to loss-of-control and tipover accidents, which can result in severe injury or death. All slopes require extra caution.

- To avoid upsets, always back up steep slopes. If you cannot back up the slope or if you feel uneasy on it, do not operate on it. Stay off slopes too steep for safe operation.
- Driving forward out of a ditch, mired condition or up a steep slope increases the risk of a tractor to be upset backward. Always back out of these situations. Extra caution is required with 4-wheel drive models because their increased traction can give the operator false confidence in the tractor's ability to climb slopes.
- Keep all movement on slopes slow and gradual. Do not make sudden changes in speed, direction or apply brake and make sudden motions of the steering wheel.
- Avoid disengaging the clutch or changing gears speed when climbing or going down a slope. If on a

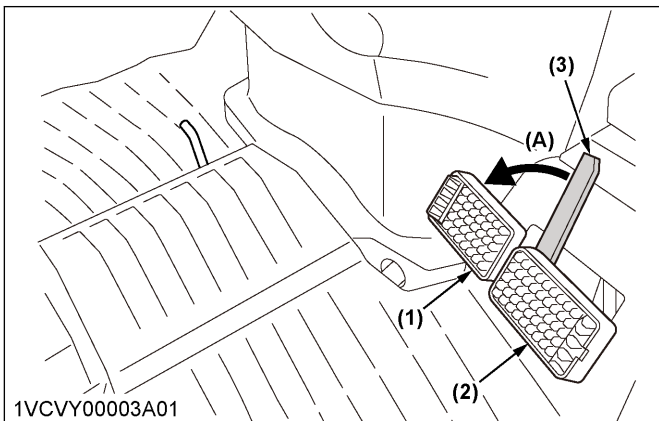
SAFE OPERATION

slope disengaging the clutch or changing gears to neutral could cause loss of control.

- Special attention should be made to the weight and location of implements and loads as such will affect the stability of the tractor.
 - To improve stability on slope, set widest wheel tread as shown in Front wheels on page 51, Rear wheels on page 52.
- Follow recommendations for proper ballasting.

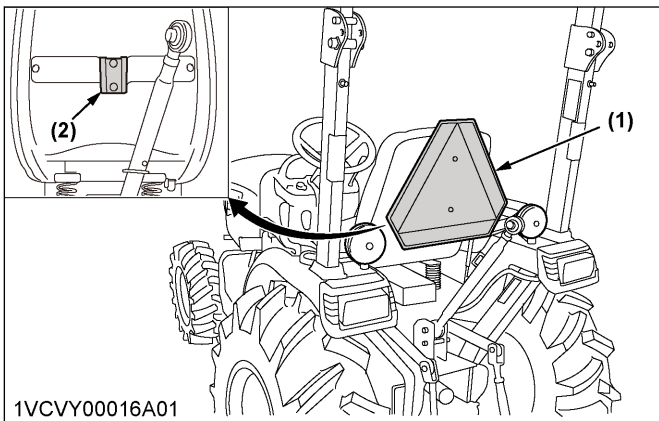
6. Driving the tractor on the road

- Lock the 2 brake pedals together to help assure straight-line stops. Uneven braking at road speeds could cause the tractor to tip over.



1VCVY00003A01
 (1) Brake pedal (LH) (A) Whenever travelling on the road
 (2) Brake pedal (RH)
 (3) Brake pedal lock

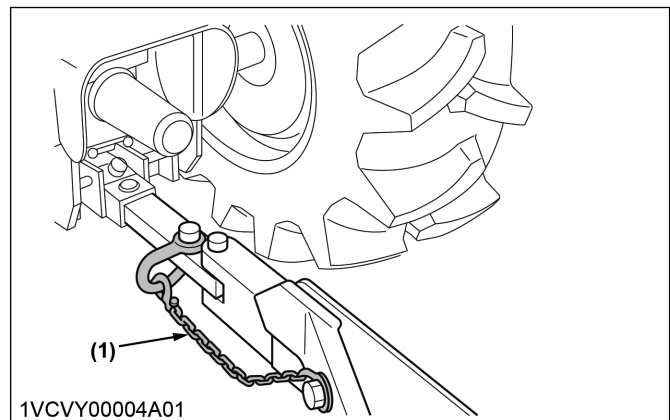
- Check the front wheel engagement. The braking characteristics are different between 2 and 4-wheel drive. Be aware of the difference and use carefully.
- Always slow the tractor down before turning. Turning at high speed may tip the tractor over.
- Make sure that the slow moving vehicle (SMV) sign is clean and visible. Use hazard lights and turn signals as required.



1VCVY00016A01
 (1) SMV emblem (2) Bracket

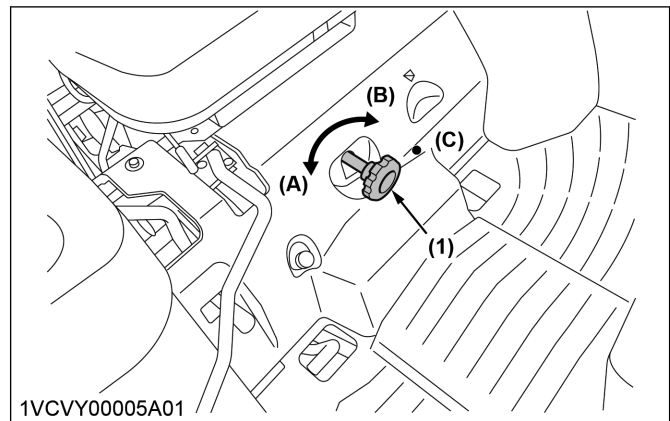
- Observe all local traffic and safety regulations.
- Turn the headlights on. Dim them when meeting another vehicle.

- Drive at speeds that allow you to maintain control at all times.
- Do not apply the differential lock while traveling at road speeds. The tractor may run out of control.
- Avoid sudden motions of the steering wheel as they can lead to a dangerous loss of stability. The risk is especially great when the tractor is traveling at road speeds.
- Keep the ROPS in the "UP" position and wear the seat belt when driving the tractor on the road. Otherwise, you will not be protected in the event of a tractor roll-over.
- Do not operate an implement while the tractor is on the road. Lock the 3-point hitch in the raised position.
- When towing other equipment, use a safety chain and place an SMV emblem on it as well.



1VCVY00004A01
 (1) Safety chain

- Set the implement lowering speed knob in the "LOCK" position to hold the implement in the raised position.



1VCVY00005A01
 (1) 3-point hitch lowering speed knob (A) Fast (B) Slow (C) Lock

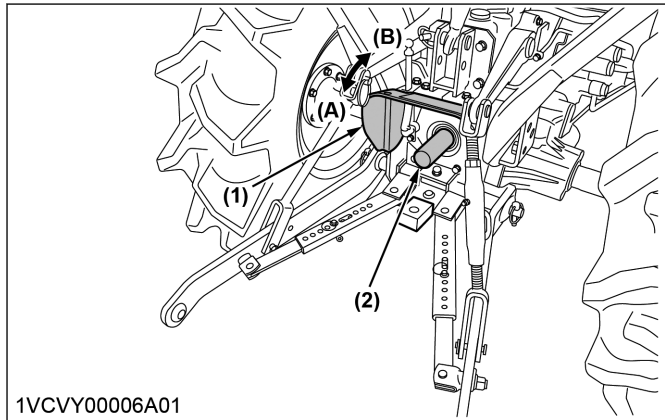
! SAFE OPERATION

PARKING THE TRACTOR

1. Disengage the PTO, lower all implements to the ground, place all control levers in their neutral positions, set the parking brake, stop the engine, remove the key from the ignition and lock the cab door (if equipped). Leaving transmission in gear with the engine stopped will not prevent tractor from rolling.
2. Make sure that the tractor has come to a complete stop before dismounting.
3. Avoid parking on steep slopes, if at all possible park on a firm and level surface; if not, park across a slope and chock the wheels.
Failure to comply with this warning may allow the tractor to move and could cause injury or death.

OPERATING THE PTO

- Wait until all moving components have completely stopped before getting off the tractor, connecting, disconnecting, adjusting, cleaning, or servicing any PTO driven equipment.
- Keep the PTO shaft cover in place at all times. Replace the PTO shaft cap when the shaft is not in use.



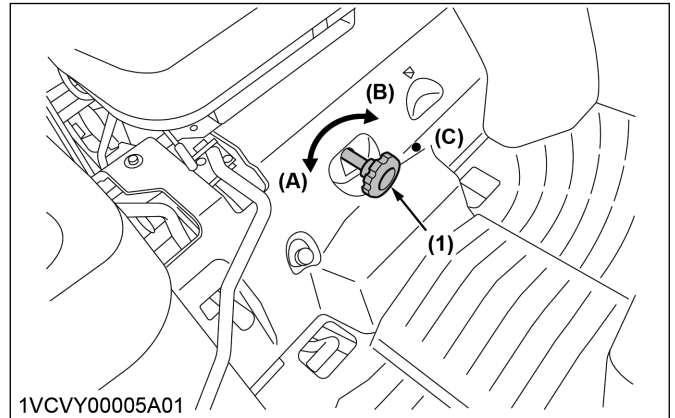
- (1) PTO shaft cover (A) Normal position
(2) PTO shaft cap (B) Raised position

- Before installing or using PTO driven equipment, read the manufacturer's manual and review the safety labels attached to the equipment.
- When operating stationary PTO driven equipment, always apply the tractor parking brake and place chocks behind and in front of the rear wheels. Stay clear of all rotating parts. Never step over rotating parts.

USING 3-POINT HITCH

- Use the 3-point hitch only with equipment designed for 3-point hitch usage.

- When using a 3-point hitch mounted implement, be sure to install the proper counterbalance weight on the front of the tractor.
- When transporting on the road, set the implement lowering speed knob in the "LOCK" position to hold the implement in the raised position.



- (1) 3-point hitch lowering speed knob (A) Fast (B) Slow (C) Lock

SERVICING THE TRACTOR

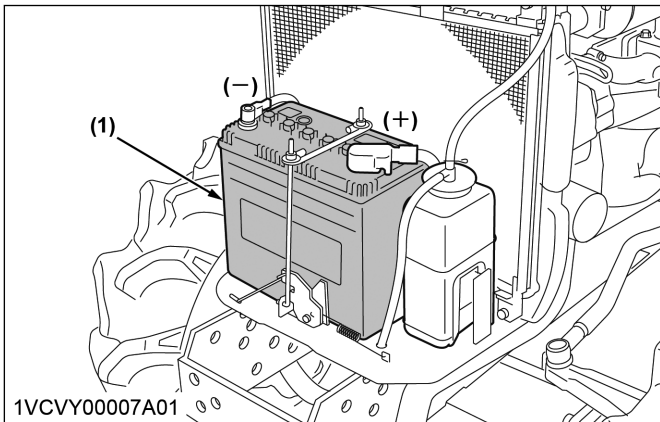
Before servicing the tractor, park it on a firm, flat and level surface, set the parking brake, lower all implements to the ground, place the gear shift lever in neutral, stop the engine and remove the key.

- Allow the tractor time to cool off before working on or near the engine, muffler, radiator, etc.
- Do not remove radiator cap while coolant is hot. When cool, slowly rotate cap to the first stop and allow sufficient time for excess pressure to escape before removing the cap completely. If the tractor has a coolant recovery tank, add coolant or water to the tank, not the radiator.
(See Checking coolant level on page 65)
- Always stop the engine before refueling. Avoid spills and overfilling.
- Do not smoke when working around battery or when refueling. Keep all sparks and flames away from battery and fuel tank. The battery presents an explosive hazard, because it gives off hydrogen and oxygen especially when recharging.
- Before "jump starting" a dead battery, read and follow all of the instructions.
(See JUMP STARTING THE ENGINE on page 28)
- Keep first aid kit and fire extinguisher handy at all times.
- Disconnect the battery's ground cable before working on or near electric components.
- To avoid the possibility of battery explosion, do not use or charge the refillable type battery if the fluid level is below the "LOWER" (lower limit level) mark. Check the fluid level regularly and add distilled

⚠️ SAFE OPERATION

water as required so that the fluid level is between the "UPPER" and "LOWER" levels.

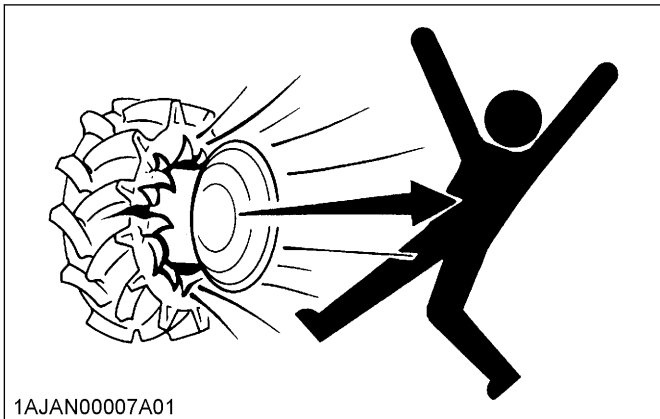
- To avoid sparks from an accidental short circuit, always disconnect the battery's ground cable (-) first and reconnect it last.



1VCVY00007A01

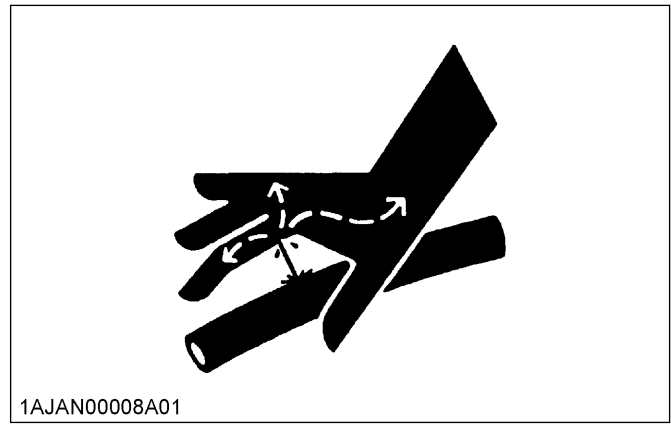
(1) Battery

- Do not attempt to mount a tire on a rim. This should be done by a qualified person with the proper equipment.
- Always maintain the correct tire pressure. Do not inflate tires above the recommended pressure shown in the operator's manual.



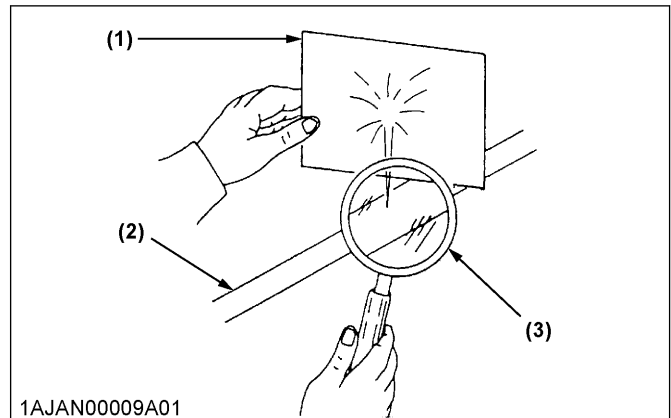
1AJAN00007A01

- Securely support the tractor when either changing wheels or adjusting the wheel tread width.
- Make sure that wheel bolts have been tightened to the specified torque.
- Do not work under any hydraulically supported devices. They can settle, suddenly leak down, or be accidentally lowered. If it is necessary to work under tractor or any machine elements for servicing or adjustment, securely support them with stands or suitable blocking beforehand.
- Escaping hydraulic fluid under pressure has sufficient force to penetrate skin, causing serious personal injury. Before disconnecting hydraulic lines, be sure to release all residual pressure. Before applying pressure to the hydraulic system, make sure that all connections are tight and that all lines, pipes, and hoses are free of damage.



1AJAN00008A01

- Fluid escaping from pinholes may be invisible. Do not use hands to search for suspected leaks; use a piece of cardboard or wood. Use of safety goggles or other eye protection is also highly recommended. If injured by escaping fluid, see a medical doctor at once. This fluid will produce gangrene or severe allergic reaction.



1AJAN00009A01

- (1) Cardboard
- (2) Hydraulic line

(3) Magnifying glass

- The improper disposal or burning of waste causes environmental pollution and can be punishable by your local laws and regulations.
 - When draining fluids from the tractor, place a container underneath the drain port.
 - Do not pour waste onto the ground, down a drain, or into any water source (such as rivers, streams, lakes, marshes, seas and oceans).
 - Waste products such as used oil, fuel, coolant, hydraulic fluid, urea aqueous solution (DEF/AdBlue), refrigerant, solvent, filters, rubber, batteries and harmful substances, can harm the environment, people, pets and wildlife. Please dispose properly.
- See your local recycling center or KUBOTA Dealer to learn how to recycle or get rid of waste products.

SAFETY LABELS

[B2401DT / B2401DTWO / B2401DTN]

(1) Part No. 6C600-4754-1

California Proposition 65

! WARNING !

Engine exhaust, some of its constituents, certain vehicle components and fluids, contain or emit chemicals known to the State of California to cause cancer and birth defects or other reproductive harm.

(2) Part No. 6C620-4956-1

Diesel fuel only

No fire



(3) Part No. 6C620-4747-1

! WARNING

TO AVOID FIRE HAZARD:
After use and/or pressure washing, make sure there is nothing flammable near the exhaust pipe. Grass or twigs under the bonnet may cause fire.

! WARNING

Operation of this equipment may create sparks that can start fires around dry vegetation. A spark arrester may be required. The operator should contact local fire agencies for laws or regulation relating to fire prevention requirements.

(4) Part No. TC430-4965-1

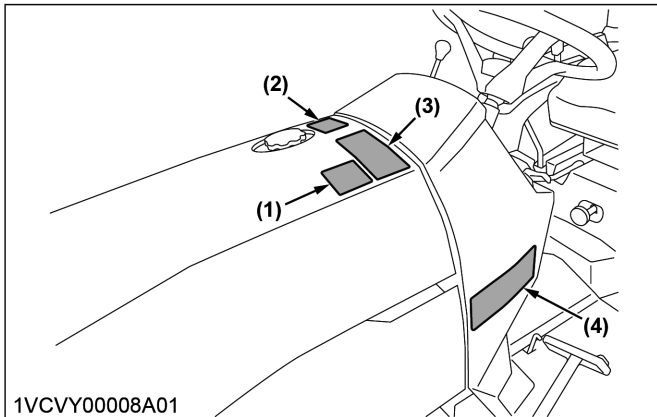


! DANGER

TO AVOID POSSIBLE INJURY OR DEATH FROM A MACHINE RUNAWAY.

1. Do not start engine by shorting across starter terminals or bypassing the safety start switch. Machine may start in gear and move if normal starting circuitry is bypassed.
2. Start engine only from operator's seat with transmission and PTO OFF. Never start engine while standing on the ground.

1AGAMAAAP2450



1VCVY00008A01

1VCVY00055A01enUS

SAFE OPERATION

[B2401DT / B2401DTWO]

(1) Part No. 6C600-9554-1

⚠ WARNING

Never modify or repair a ROPS because welding, grinding, drilling or cutting any portion may weaken the structure.

⚠ WARNING

TO AVOID PERSONAL INJURY OR DEATH WHEN RAISING OR FOLDING ROPS:

- Set parking brake and stop engine.
- Remove any obstruction that may prevent raising or folding of the ROPS.
- Do not allow any bystanders.
- Always perform function from a stable position at the rear of the tractor.
- Hold the top of the ROPS securely when raising or folding.
- Make sure all pins are installed and locked.

(2) Part No. 6C620-4742-1

⚠ WARNING

TO AVOID PERSONAL INJURY OR DEATH:

1. Read and understand the operator's manual before operation.
2. Before starting the engine, make sure that everyone is at a safe distance from the tractor and that the PTO is OFF.
3. Do not allow passengers on the tractor at any time.
4. Before allowing other people to use the tractor, have them read the operator's manual.
5. Check the tightness of all nuts and bolts regularly.
6. Keep all shields in place and stay away from all moving parts.
7. Lock the two brake pedals together before driving on the road.
8. Slow down for turns, or rough roads, or when applying individual brakes.
9. On public roads use SMV emblem and hazard lights, if required by local traffic and safety regulations.
10. Pull only from the drawbar.
11. Before dismounting, lower the implement to the ground, set the parking brake, stop the engine and remove the key.
12. Securely support tractor and implements before working underneath.

(3) Part No. TC430-9848-1

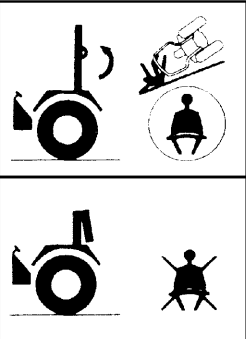
⚠ WARNING

TO AVOID INJURY OR DEATH FROM ROLL-OVER:

- Keep Roll-Over Protective Structures (ROPS) in the upright and locked position
- Fasten SEAT BELT before operating

THERE IS NO OPERATOR PROTECTION WHEN THE ROPS IS IN THE FOLDED POSITION:

- Check the operating area and fold the ROPS only when absolutely necessary
- Do not wear SEAT BELT if ROPS is folded
- Raise and lock ROPS as soon as vertical clearance allows
- Read ROPS related instructions and warnings



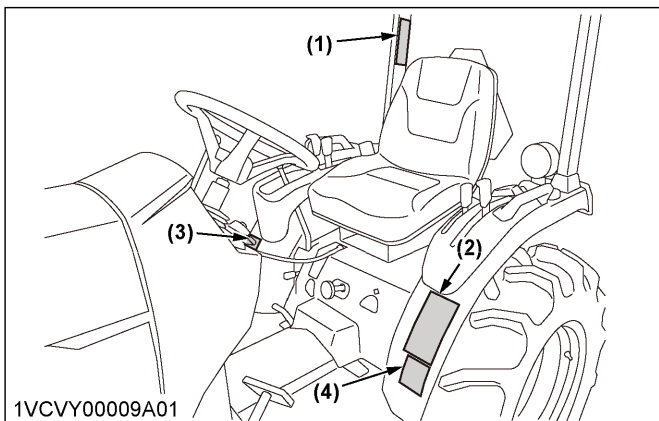
1AGAMAAAP2370

(4) Part No. 6C620-4745-2

⚠ WARNING

TO AVOID PERSONAL INJURY OR DEATH

1. Do not use the 2nd PTO speed with implements designed for 540rpm.
2. Use the 2nd PTO speed only when mid PTO or higher rpms are specifically recommended by the implement manufacturer.



1VCVY00056A01enUS

[B2401DTN]

(1) Part No. 6C640-6416-1

! WARNING

TO AVOID PERSONAL INJURY OR DEATH :
Do not modify or repair a ROPS because welding, grinding, drilling or cutting any portion may weaken the structure.

(2) Part No. 6C620-4742-1

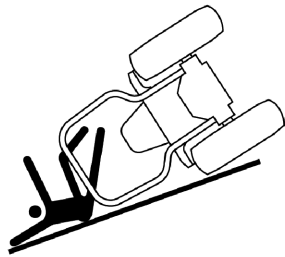
! WARNING

TO AVOID PERSONAL INJURY OR DEATH :

1. Read and understand the operator's manual before operation.
2. Before starting the engine, make sure that everyone is at a safe distance from the tractor and that the PTO is OFF.
3. Do not allow passengers on the tractor at any time.
4. Before allowing other people to use the tractor, have them read the operator's manual.
5. Check the tightness of all nuts and bolts regularly.
6. Keep all shields in place and stay away from all moving parts.
7. Lock the two brake pedals together before driving on the road.
8. Slow down for turns, or rough roads, or when applying individual brakes.
9. On public roads use SMV emblem and hazard lights, if required by local traffic and safety regulations.
10. Pull only from the drawbar.
11. Before dismounting, lower the implement to the ground, set the parking brake, stop the engine and remove the key.
12. Securely support tractor and implements before working underneath.

(3) Part No. 6C640-4742-1

! WARNING



TO AVOID PERSONAL INJURY OR DEATH FROM ROLL-OVER :

1. Kubota recommends the use of a Roll-Over Protective Structures (ROPS) and seat belt in almost all applications.
2. Remove the ROPS only when it substantially interferes with operation or itself presents a safety risk. (Examples include work in orchards and vineyards.) ALWAYS REINSTALL IT BEFORE USING THE TRACTOR IN OTHER APPLICATIONS.
3. Never use just the seat belt or just the ROPS. They must be used together. For further details, consult your Operator's Manual or your local dealer.

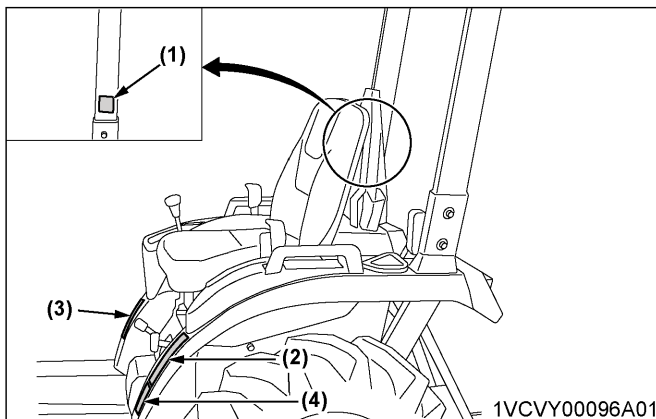
1AGAMAAAP2370

(4) Part No. 6C620-4745-2

! WARNING

TO AVOID PERSONAL INJURY OR DEATH

1. Do not use the 2nd PTO speed with implements designed for 540rpm.
2. Use the 2nd PTO speed only when mid PTO or higher rpms are specifically recommended by the implement manufacturer.




1VCVY00097A01enUS

SAFE OPERATION

[B2401DT / B2401DTWO / B2401DTN]

(1) Part No. 6C620-4743-1



⚠ WARNING BEFORE DISMOUNTING TRACTOR :

1. ALWAYS SET PARKING BRAKE.
2. PARK ON LEVEL GROUND WHENEVER POSSIBLE.
If parking on a slope, position tractor across the slope.
3. LOWER ALL IMPLEMENTS TO THE GROUND.
4. STOP THE ENGINE

(2) Part No. 6C620-4748-1

⚠ WARNING

TO AVOID EXPOSURE TO DUST CONTAINING SILICA PARTICLES:

- This dust can cause serious injury to the lungs under some exposure levels.
- Be aware of and follow the OSHA (or other regulatory body) guidelines for exposure to airborne crystalline silica.
- To meet OSHA silica guidelines, use appropriate personal protective equipment and dust abatement systems, such as waterspray systems.

(3) Part No. TC422-4958-1

Do not touch hot surface like muffler, etc.



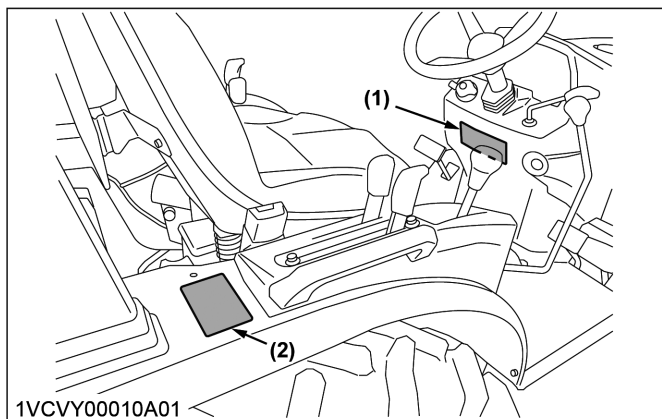
1AGAMAAAP2400

(4) Part No. TC402-4958-1

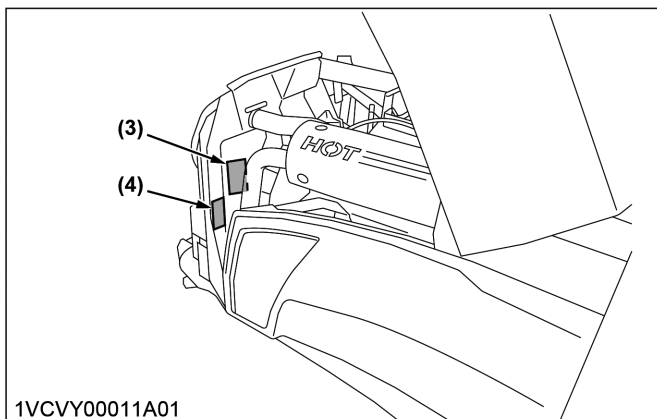
Do not get your hands close to engine fan and fan belt.



1AGAMAAAP2620



1VCVY00010A01



1VCVY00011A01

1VCVY00057A01enUS

! SAFE OPERATION

[B2401DT / B2401DTWO / B2401DTN]

(1) Part No. TC402-4958-1
Do not get your hands close to engine fan and fan belt.



1AGAMAAAP2620

(2) Part No. 6C620-3013-1

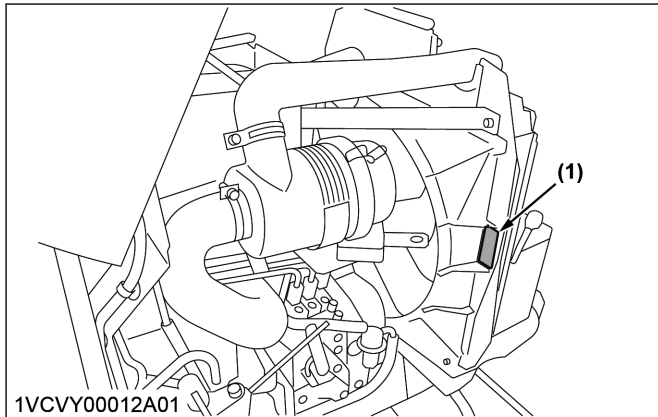
NO SPARKS, FLAMES OR SMOKING	SHIELD EYES	KEEP CHILDREN AWAY	CORROSIVE HAZARD	READ INSTRUCTION MANUAL CAREFULLY	EXPLOSIVE GAS
! DANGER					
<ul style="list-style-type: none"> Batteries produce explosive gases. Explosion is possible, if mistakes application. <ul style="list-style-type: none"> Care to avoid shorting and sparks the terminals by metal rod between battery terminals. Need good ventilation when charging. Jump start battery should be done in accordance with manual. Batteries contain corrosive sulfuric acid. Avoid contact with skin, eyes or clothing. If electrolyte gets into eyes, flush throughly with water and see a physician immediately. Explosion is possible, if electrolyte lower than LOWER LEVEL. Acid spillage is possible, if fill up distilled water over UPPER LEVEL. 					
20HR 45 Ah CCA 430 A 55B24(JIS) 公称電圧 12V CSA22					

(3) Part No. 6C620-3016-1

CSA41

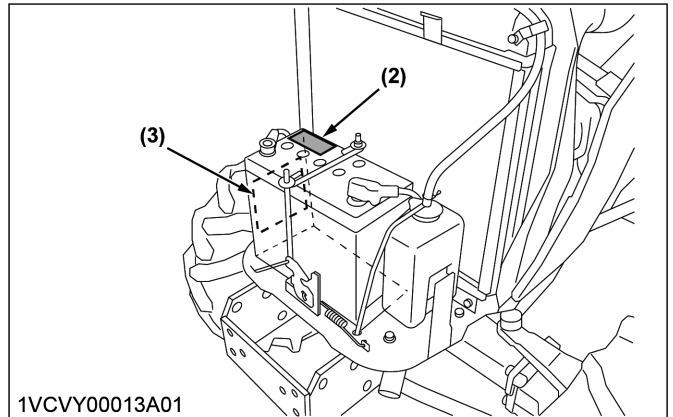
Pb

CALIFORNIA PROPOSITION 65
! WARNING : THIS PRODUCT CAN EXPOSE YOU TO CHEMICALS INCLUDING LEAD, WHICH IS KNOWN TO THE STATE OF CALIFORNIA TO CAUSE CANCER AND BIRTH DEFECTS OR OTHER REPRODUCTIVE HARM. FOR MORE INFORMATION GO TO WWW.P65WARNINGS.CA.GOV



1VCVY00012A01

1VCVY00058A01enUS





1VCVY00013A01

SAFE OPERATION

[B2401DT / B2401DTWO / B2401DTN]

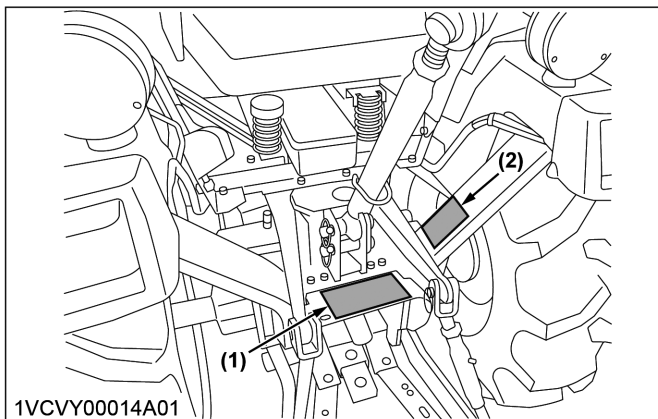
(1) Part No. 6C600-4742-1

(2) Part No. 6C620-4756-1

	TO AVOID PERSONAL INJURY OR DEATH : 1. Attach pulled or towed loads to the drawbar only. 2. Use the 3-point hitch only with equipment designed for 3-point hitch usage.
	⚠ WARNING TO AVOID PERSONAL INJURY OR DEATH : 1. Keep PTO shield in place at all times. 2. Do not operate the PTO at speeds faster than the speed recommended by the implement manufacturer. 3. For trailing PTO-driven implements, set drawbar at towing position. (see operator's manual)

⚠ WARNING

TO AVOID PERSONAL INJURY OR DEATH : KEEP HANDS AWAY FROM PINCH POINTS OF LIFT ARMS.



1VCVY00092A01enUS

CARE OF SAFETY LABELS

- Keep safety labels clean and free from obstructing material.
- Clean safety labels with soap and water, dry with a soft cloth.
- Replace damaged or missing safety labels with new labels from your local KUBOTA Dealer.
- If a component with safety label(s) affixed is replaced with new part, make sure new label(s) is (are) attached in the same location(s) as the replaced component.
- Mount new safety labels by applying on a clean dry surface and pressing any bubbles to outside edge.

SERVICING OF THE TRACTOR

DEALER SERVICE

Your dealer has knowledge of your new machine and has the desire to help you get the most value from it. After reading this manual thoroughly, you will find that you can perform some of the regular maintenance yourself.

However, when your machine needs parts or major service, be sure to see your KUBOTA Dealer.

For service, contact the KUBOTA Dealership from which you purchased your machine or your local KUBOTA Dealer.

When in need of parts, be prepared to give your dealer the product identification number (PIN), and the CAB/ROPS and engine serial numbers.

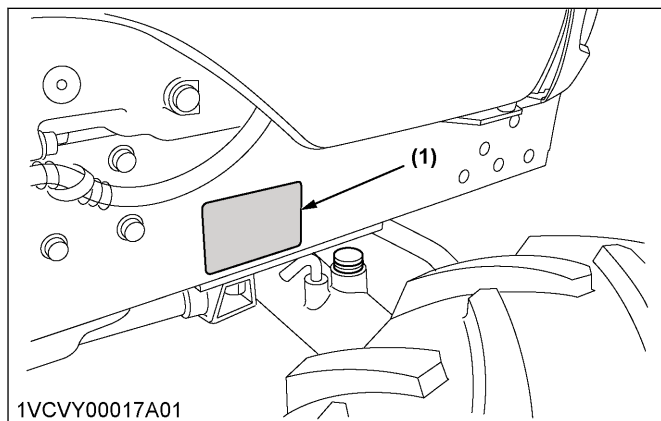
Locate the PIN and serial numbers now and record them in the space provided.

Date of purchase	
Name of dealer	

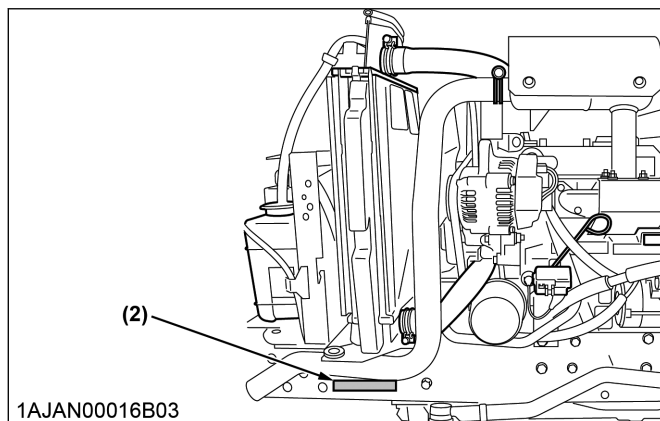
To be filled in by purchaser

	Type	PIN / Serial No.
Tractor		
CAB/ROPS		
Engine		

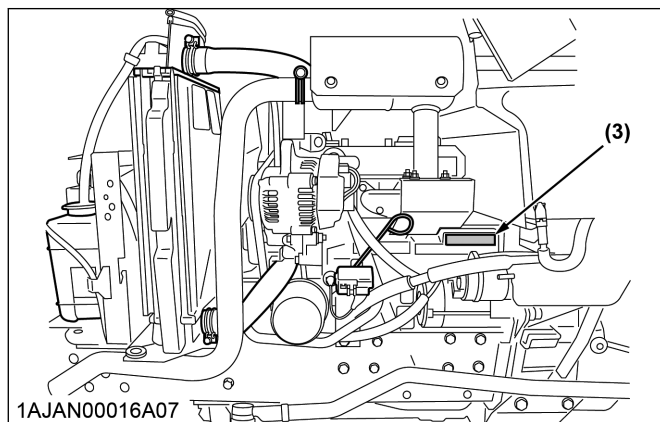
To be filled in by purchaser



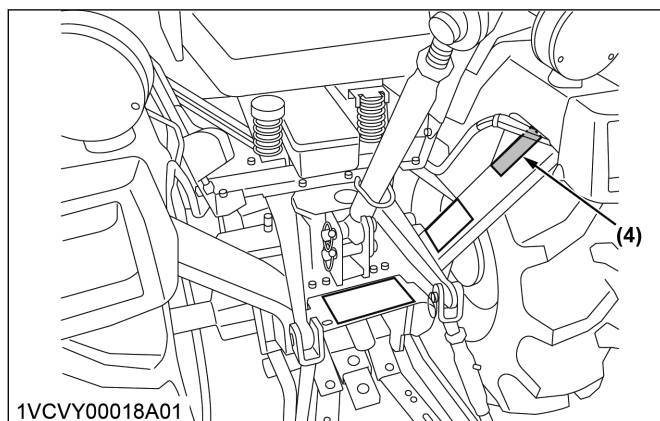
1VCVY00017A01
(1) Identification plate



1AJAN00016B03
(2) Product identification number



1AJAN00016A07
(3) Engine serial number



1VCVY00018A01
(4) ROPS identification plate (ROPS serial No.)

1. Warranty of the tractor

This tractor is warranted under the KUBOTA Limited Express Warranty, a copy of which may be obtained from your selling dealer.

No warranty shall, however, apply if the tractor has not been used according to the instruction given in the operator's manual even if it is within the warranty period.

2. Scrapping the tractor and its procedure

To put the tractor out of service, correctly follow the local rules and regulations of the country or territory where you scrap it.

If there is anything which you do not understand, consult your local KUBOTA Dealer.

SPECIFICATIONS

SPECIFICATION TABLE

Model			B2401DT	B2401DTWO	B2401DTN	
Engine	PTO power*1		kW (HP)			14.3 (19.2)
	Maker		KUBOTA			
	Model		D1105-E4-D35			
	Type		E-TVCS, liquid cooled, 4-cycle diesel			
	Number of cylinders		3			
	Bore and stroke		mm (in.)			78×78.4 (3.1×3.1)
	Total displacement		cm ³ (cu.in.)			1123 (68.5)
	Engine gross power*2		kW (HP)			16.3 (21.9)
	Rated revolution		rpm			2600
	Low idling revolution		rpm			1000 to 1100
	Maximum torque		N·m (ft·lb)			71.7 (52.9)
	Battery		12 V, RC: 80 min., CCA: 430 A			
Capacity	Fuel tank		L (U.S.gals.)			23 (6.1)
	Engine crankcase (with filter)		L (U.S.gals.)			3.1 (0.8)
	Engine coolant		L (U.S.gals.)			3.9 (1.0)
	Transmission case		L (U.S.gals.)			12.5 (3.3)
Dimensions	Overall length (without 3P)		mm (in.)		2385 (93.9) 2360 (92.9)	
	Overall width		mm (in.)		1125 (44.3) 900, 990 (35.4, 39.0)	
	Overall height (with ROPS)		mm (in.)		2130 (83.9) 1910 (75.2)	
	Wheel base		mm (in.)			1560 (61.4)
	Min. ground clearance		mm (in.)		305 (12.0) 300 (11.8)	
	Tread	Front	mm (in.)		800 (31.5) 705 (27.8)	
Rear		mm (in.)		880 (34.6) 700, 790 (27.6, 31.1)		
Weight (with ROPS)		kg (lbs.)		690 (1521) 605 (1334)		
Clutch			Dry single plate			
Traveling system	Tires	Front	6-12		5-12	
		Rear	9.5-16		8-16	
	Steering		Integral type power steering			
	Transmission		Gear shift, 9 forward and 3 reverse			
	Brake		Wet disk type			
Min. turning radius (with brake)		m (feet)		2.1 (6.9)		
Hydraulic unit	Hydraulic control system		Position control			
	Pump capacity		L/min (gals / min)			3P: 16.6 (4.4) Power steering: 9.8 (2.6)

(Continued)

Model				B2401DT	B2401DTWO	B2401DTN
Hydraulic unit	3-point hitch			SAE Category 1		
	Max. lift force	At lift points	kg (lbs.)	750 (1653)		
		24 in. behind lift point	kg (lbs.)	590 (1301)		
PTO	Rear-PTO			SAE 1-3 / 8, 6 spline		
	PTO / Engine speed		rpm	540/2505, 1000/2560		
	Mid-PTO			USA No. 5 (KUBOTA 10-tooth) involute spline		—
	PTO / Engine speed		rpm	2500/2483		—

*1 Manufacturer's estimate

*2 SAE J1995. The engine output value indicated on the EPA exhaust gas label is the ISO 8178 net value without a cooling fan. B2401DT, B2401DTWO, B2401DTN: 16.1 kW

The company reserves the right to change the specification without notice.

TRAVELING SPEEDS

Model				B2401DT/B2401DTWO				B2401DTN
Tire size (Rear)				9.5-16 Farm	33x12.5-15 Turf	12-16.5 Industry	12-16.5 R14	8-16 Farm
		Range gear shift lever	Main gear shift lever	km/h				
Forward	1	Low	1	1.0		1.0	0.9	
	2		2	1.4		1.4	1.3	
	3		3	2.5		2.6	2.3	
	4	Middle	1	3.2		3.3	2.9	
	5		2	4.5		4.7	4.2	
	6		3	8.2		8.5	7.6	
	7	High	1	6.9		7.1	6.4	
	8		2	9.8		10.2	9.1	
	9		3	17.7		18.4	16.5	
Max. Speed(at 2750 engine rpm)		18.8		19.5	17.5			
Reverse	1	Low	R	1.3		1.3	1.2	
	2	Middle	R	4.2		4.4	3.9	
	3	High	R	9.1		9.5	8.5	
		Max. Speed(at 2750 engine rpm)		9.6		10.0	9.0	

(At rated engine rpm)

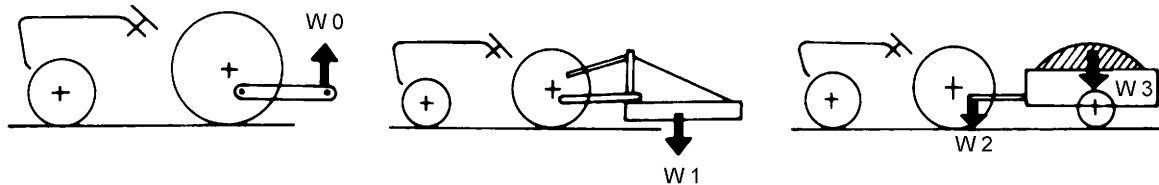
The company reserves the right to change the specification without notice.

IMPLEMENT LIMITATIONS

The KUBOTA Tractor has been thoroughly tested for proper performance with implements sold or approved by KUBOTA. Use with implements which are not sold or approved by KUBOTA and which exceed the maximum specifications listed in the following tables, or which are otherwise unfit for use with the KUBOTA Tractor may result in malfunctions or failures of the tractor, damage to other property and injury to the operator or others. *“Any malfunctions or failures of the tractor resulting from use with improper implements are not covered by the warranty”.*

	Tread (max. width) with farm tires		Lower link end max. loading weight W0
	Front	Rear	
B2401DTN	705 mm (27.8 in.)	700 mm (27.6 in.) 790 mm (31.1 in.)	300 kg (660 lbs.)
B2401DT	800 mm (31.5 in.)	900 mm (35.4 in.)	
B2401DTWO			

	Actual figures		
B2401DTN B2401DT B2401DTWO	Implement weight W1 and / or size	Max. Drawbar Load W2	Trailer loading weight W3 (with trailer's weight)
	As in the following list (Shown on the next page)	300 kg (660 lbs.)	1000 kg (2210 lbs.)



1AJAN00021A01

Lower link end max. lifting weight W0

The max. allowable load which can be put on the lower link end

Implement weight W1

The implement's weight which can be put on the lower link

W2

Max. drawbar load

Trailer loading weight W3

The max. loading weight for trailer (with trailer's weight)

NOTE :

- Implement size may vary depending on soil operating conditions.

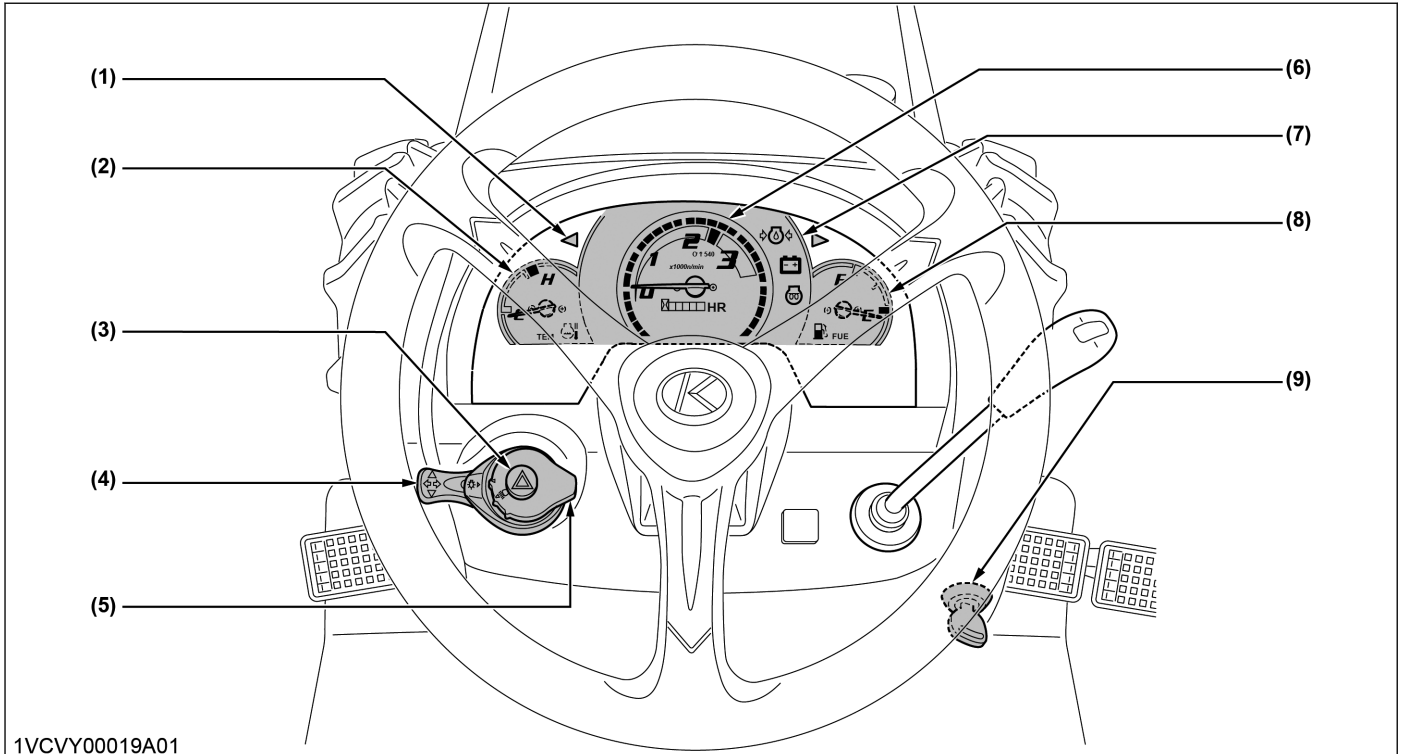
Implement		Remarks		B2401DT	B2401DTWO	B2401DTN
Mower	Mid-mount	Max. cutting width	cm (in.)	152 (60)		—
		Max. weight	kg (lbs.)	140 (300)		
	Rotary-cutter (1 Blade)	Max. cutting width	cm (in.)	122 (48)		
		Max. weight	kg (lbs.)	204 (450)		
	Rear-mount (2 or 3 Blade)	Max. cutting width	cm (in.)	152 (60)		
		Max. weight	kg (lbs.)	227 (500)		
	Flail-mower	Max. cutting width	cm (in.)	122 (48)		
Sickle bar	Max. cutting width	cm (in.)	152 (60)			
Rotary tiller	Max. tilling width	cm (in.)	127 (50)			
	Max. weight	kg (lbs.)	213 (470)			
	Slip clutch		Necessary			
Bottom plow	Max. size	cm (in.)	36 (14) × 1			
Disc plow	Max. size	cm (in.)	56 (22) × 1			
Cultivator	Max. size	cm (in.)	137 (54) 1 Row			
Disc harrow	Max. harrowing width	cm (in.)	152 (60)			
	Max. weight	kg (lbs.)	190 (420)			
Sprayer	Max. tank capacity	L (U.S.gals.)	190 (50)			
Front blade	Max. cutting width	cm (in.)	152 (60)			
	Sub frame		Necessary			
Rear blade	Max. cutting width	cm (in.)	152 (60)			
	Max. weight	kg (lbs.)	160 (350)			
Front loader	Max. lifting capacity (Bucket center)	kg (lbs.)	360 (794)		—	
	Max. width	cm (in.)	127 (50)			
	Sub frame		Necessary			
Box blade	Max. cutting width	cm (in.)	137 (54)			
	Max. weight	kg (lbs.)	227 (500)			
Back hoe	Max. digging depth	cm (in.)	198 (78)		—	
	Max. weight	kg (lbs.)	320 (705)			
	Sub frame		Necessary			
Snow blower	Max. digging depth	cm (in.)	152 (60)		—	
	Max. width	kg (lbs.)	200 (450)			
	Sub frame		Necessary			
Trailer	Max. load capacity	kg (lbs.)	1000 (2200)			
	Max. drawbar load	kg (lbs.)	300 (660)			

NOTE :

- Implement size may vary depending on soil operating conditions.

INSTRUMENT PANEL AND CONTROLS

INSTRUMENT PANEL, SWITCHES AND HAND CONTROLS

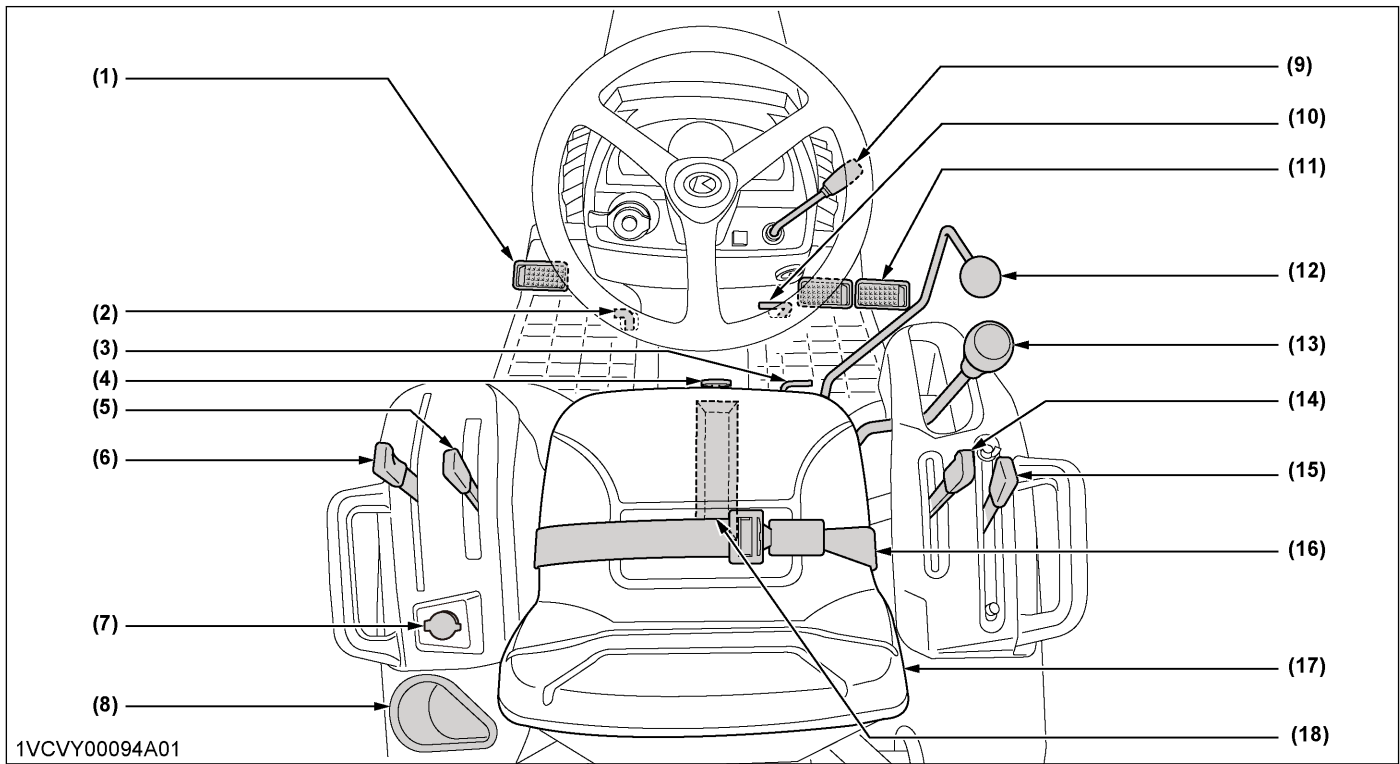


1VCVY00019A01

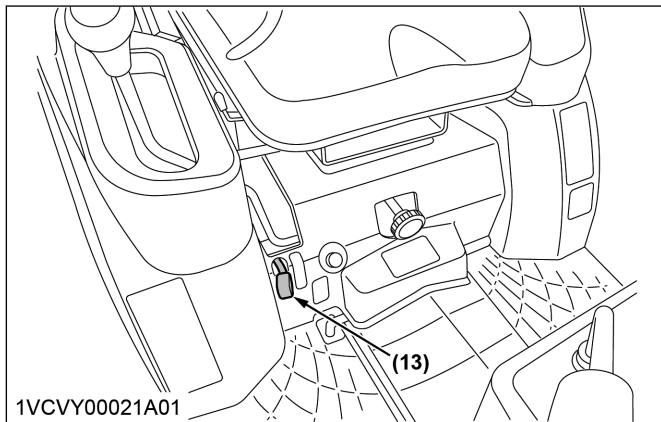
(1) Head light / turn signal / hazard light switch	32	(6) Hourmeter / tachometer	37
(2) Coolant temperature gauge	37	(7) Easy Checker	36
(3) Hazard light switch	32	(8) Fuel gauge	36
(4) Turn signal light switch	32	(9) Key switch	26
(5) Head light switch	32		

FOOT AND HAND CONTROLS

[B2401DT / B2401DTWO]



[B2401DTN]



(1) Clutch pedal.....	34	(9) Hand throttle lever	35
(2) Parking brake.....	36	(10) Foot throttle.....	35
See also:		(11) Brake pedals.....	33
Parking brake.....	37	(12) Loader / remote control valve lever [B2401DT only].....	47
(3) Differential lock	38	(13) Main gear shift lever	34
(4) 3-point hitch lowering speed	45	(14) Front wheel drive lever	35
(5) PTO gear shift lever.....	40	(15) Position control	45
(6) Range gear shift lever (L-M-H)	34	(16) Seat belt.....	32
(7) Electrical outlet	39	(17) Operator's seat	32
(8) Cup holder		(18) Tool-box	

PRE-OPERATION CHECK

DAILY CHECK

To prevent trouble from occurring, it is important to know the condition of the tractor well. Check it before starting.



WARNING

To avoid personal injury or death:

- **Be sure to check and service the tractor on a level surface with the engine shut off and the parking brake “ON” and implement lowered to the ground.**

Check item

- Walk around inspection
- Check engine oil level
- Check transmission oil level
- Check coolant level
- Clean grill and radiator screen
- Check air cleaner evacuator valve, when used in a dusty place
- Check brake pedal
- Check indicators, gauges and meter
- Check lights
- Check wire harness
- Check seat belt and ROPS
- Check movable parts
- Refuel
(See Checking and refueling on page 64)
- Care of safety labels
(See SAFETY LABELS on page 11)

OPERATING THE ENGINE

WARNING

To avoid personal injury or death:

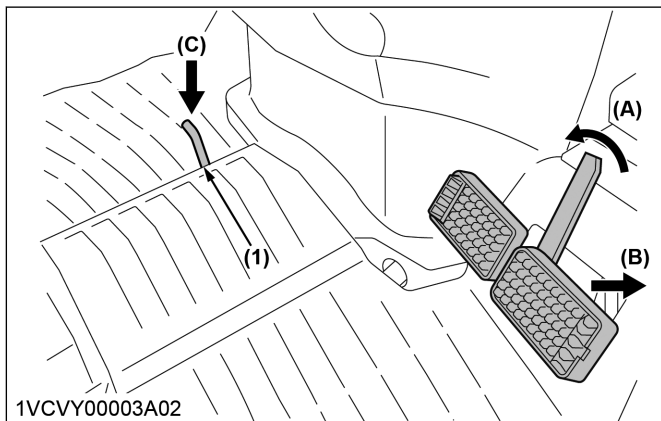
- Read and understand “SAFE OPERATION” in the front of this manual.
- Read and understand the safety labels located on the tractor.
- To avoid the danger of exhaust fume poisoning, do not operate the engine in a closed building without proper ventilation.
- Never start engine while standing on ground. Start engine only from operator's seat.
- Make it a rule to set all shift levers to the “NEUTRAL” positions and to place PTO lever in “OFF” position before starting the engine.

IMPORTANT :

- Do not use starting fluid or ether.
- To protect the battery and the starter, make sure that the starter is not continuously turned for more than 10 seconds.

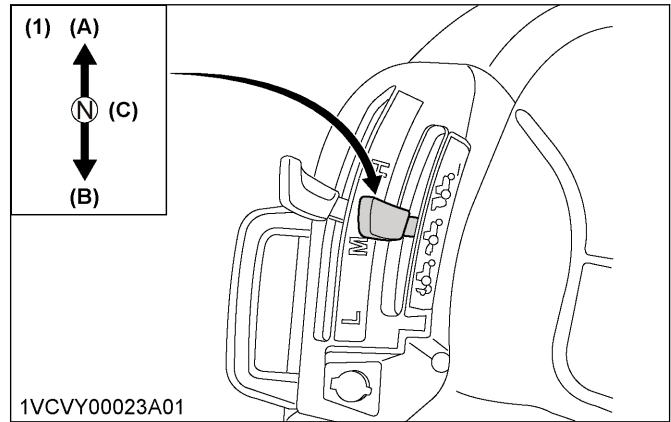
STARTING THE ENGINE

1. Make sure the parking brake is set.
 - To set the parking brake
 - Interlock the brake pedals.
 - Depress the brake pedals.
 - Depress the parking brake pedal to park.
 - To release the parking brake, depress the brake pedals again.



(1) Parking brake pedal (A) Interlock the brake pedals
(B) Depress (C) Depress

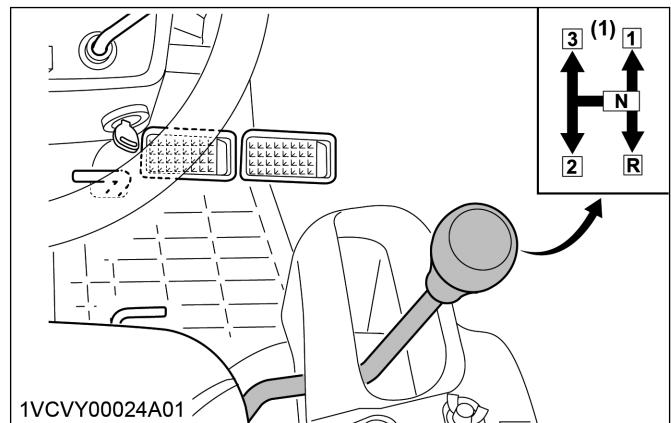
2. Place the PTO gear shift lever in “NEUTRAL” position.



(1) PTO gear shift lever

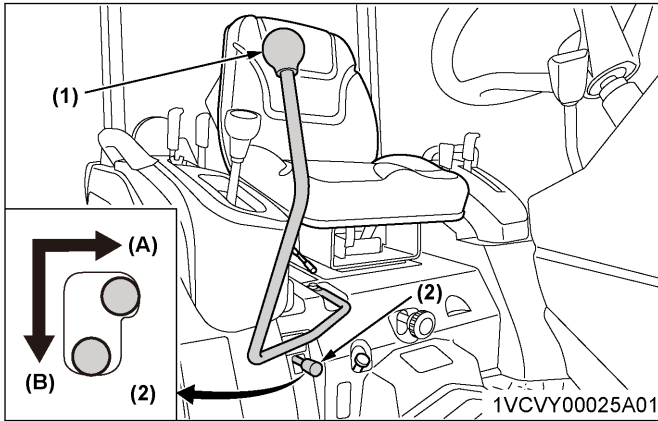
	[Rear PTO]	[Mid PTO] [Except B2401DTN]
(A)	2nd	On
(B)	1st	Off
(C)	Neutral	

3. Place the main gear shift lever in “NEUTRAL” position.



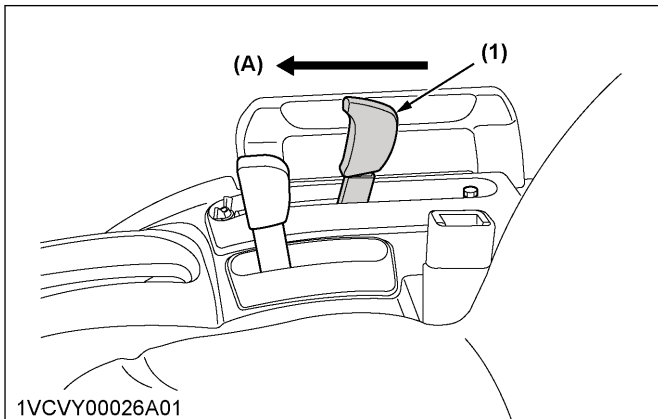
(1) Main gear shift lever

4. Lock the loader control lever in the "LOCK" position. [B2401DT only]



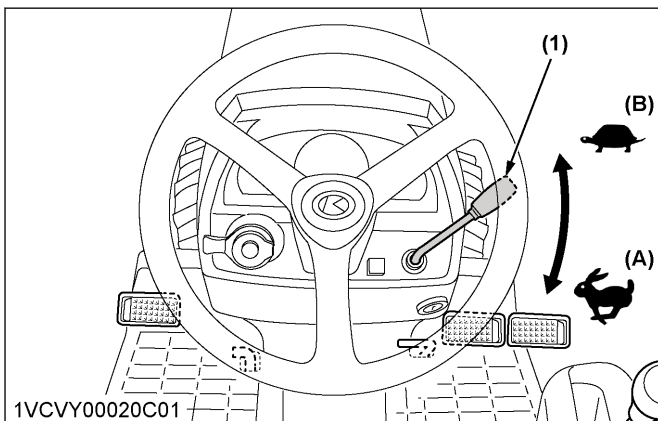
(1) Loader control lever (A) Unlock
(2) Lock lever (B) Lock

5. Place the position control lever in "LOWEST" position.



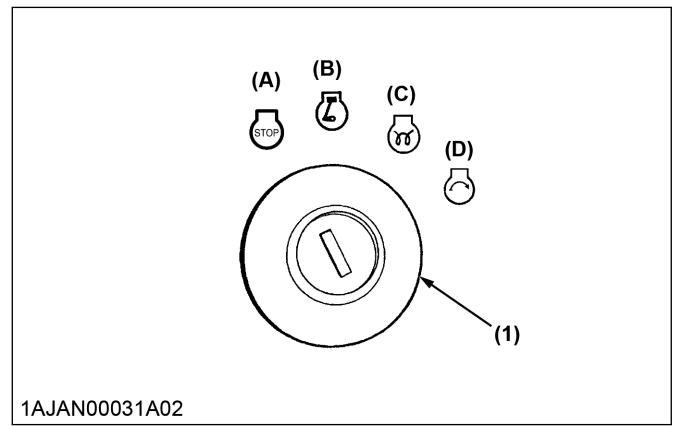
(1) Position control lever (A) Down

6. Set the throttle lever to about 1/2 way.



(1) Hand throttle lever (A) Increase
(B) Decrease

7. Insert the key into the key switch and turn it "ON".

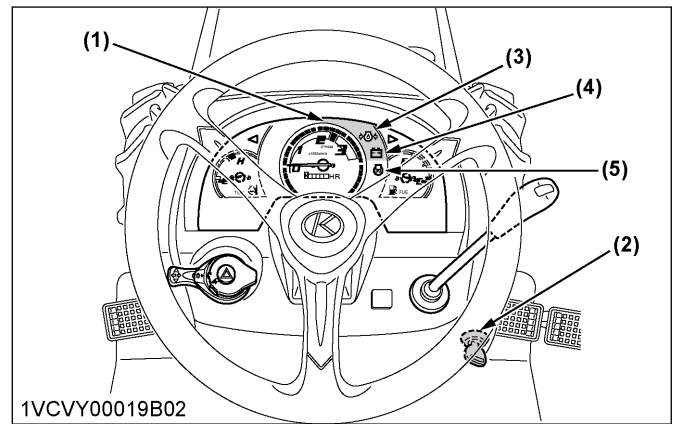


1AJAN00031A02

(1) Key switch (C) Preheat
(A) Off (D) Start
(B) On

Check Easy Checker lamps

- When the key is turned "ON", lamps (3) (4) should come on. If trouble should occur at any location while the engine is running, the warning lamp corresponding to that location comes on.



1VCSV00019B02

(1) Easy Checker (4) Electrical charge
(2) Key switch (5) Glow plug indicator
(3) Engine oil pressure

IMPORTANT :

- Daily checks with the Easy Checker only are not sufficient. Never fail to conduct physical daily checks carefully by referring to "DAILY CHECK" section. (See DAILY CHECK on page 25)

8. Fully depress the clutch pedal, turn the key to “PREHEAT” position and hold it for about 2 to 3 seconds.

For the appropriate preheating time, see to the following table.

Temperature	Preheating time
Over 0 °C (32 °F)	2 to 3 seconds
0 °C to -5 °C (32 °F to 23 °F)	5 seconds
-5 °C to -15 °C (23 °F to 5 °F)	10 seconds

NOTE :

- **Glow plug indicator (5) comes on while engine is being preheated.**

9. Turn the key to “START” position and release when the engine starts.

IMPORTANT :

- **Because of the safety devices, the engine will not start except when the PTO lever is placed in the “OFF” position and speed control lever is placed in the “NEUTRAL” position.**

Cold weather starting

- When the ambient temperature is below -5 °C (23 °F) and the engine is very cold. If the engine fails to start, turn off the key for 30 seconds. Then repeat steps 8 and 9. To protect the battery and the starter, make sure that the starter is not continuously turned for more than 10 seconds.

1. Block heater (option)

A block heater is available as an option from your dealer.

It will assist you in starting your tractor when the ambient temperature is below -15 °C (5 °F).

1. Check to see that all the lamps on the Easy Checker are “OFF”.
If a lamp is still on, immediately stop the engine and determine the cause.

STOPPING THE ENGINE

1. After slowing the engine to idle, turn the key to “OFF”.
2. Remove the key.

WARMING UP OF THE ENGINE



WARNING

To avoid personal injury or death:

- **Be sure to set the parking brake during warmup of the engine.**
- **Be sure to set all shift levers to the “NEUTRAL” positions during warm-up of the engine.**

For 5 minutes after the engine start-up, allow the engine to warm up without applying any load. Allowing the engine to warm up is to allow the oil to reach every engine-part. If the load should be applied to the engine without the warm-up period of 5 minutes, trouble such as seizure, breakage, or premature wear may develop.

1. Warm-up transmission oil at low ambient temperatures

IMPORTANT :

- **Do not operate the tractor under full load condition until it is sufficiently warmed up.**

Hydraulic oil serves as transmission fluid. In cold weather, the oil may be cold with increased viscosity. The oil with increased viscosity can cause delayed oil circulation or abnormally low hydraulic pressure for some time after engine start-up. Delayed oil circulation or abnormally low hydraulic pressure in turn can result in trouble in the hydraulic system. To prevent the trouble in the hydraulic system, observe the following instructions.

Warm up the engine at about 50% of rated rpm according to the following table.

Ambient temperature	Warm-up time requirement
Above 0 °C (32 °F)	At least 5 minutes
0 °C to -10 °C (32 °F to 14 °F)	5 to 10 minutes
-10 °C to -20 °C (14 °F to -4 °F)	10 to 15 minutes
Below -20 °C (-4 °F)	More than 15 minutes

JUMP STARTING THE ENGINE



WARNING

To avoid personal injury or death:

- **Battery gases can explode. Keep cigarettes, sparks, and flames away from battery.**
- **If tractor battery is frozen, do not jump start engine.**

- Do not connect the other end of the negative (-) jumper cable to the negative (-) terminal of the tractor battery.

When jump starting the engine, follow the instructions in this section to safely start the engine.

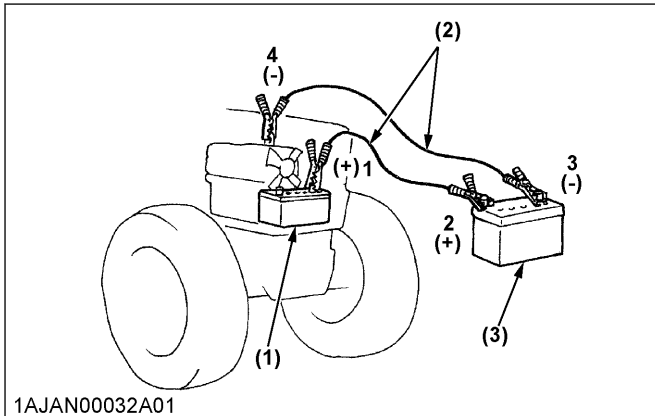
1. Bring the helper vehicle with a battery of the same voltage as disabled tractor within easy cable reach.

IMPORTANT :

- The vehicles must not touch.

2. Engage the parking brakes of both vehicles and put the shift levers in neutral. Shut both engines off.
3. Wear eye protection and rubber gloves.
4. Attach the red clamp to the positive (red, (+) or pos.) terminal of the dead battery and clamp the other end of the same cable to the positive (red, (+) or pos.) terminal of the helper battery.
5. Clamp the other cable to the negative (black, (-) or neg.) terminal of the helper battery.
6. Clamp the other end to the engine block or frame of the disabled tractor as far from the dead battery as possible.
7. Start the helper vehicle and let its engine run for a few moments. Start the disabled tractor.
8. Disconnect the jumper cables in the exact reverse order of attachment (Steps 6, 5 and 4).

- Do not operate the tractor without the battery mounted.
- Do not operate the tractor with the battery dead. Charge the battery fully enough before operating the tractor. Otherwise the tractor might malfunction.



(1) Dead battery

(3) Helper battery

(2) Jumper cables

IMPORTANT :

- This machine has a 12 volt negative (-) ground starting system.
- Use only same voltage for jump starting.
- Use of a higher voltage source on tractor's electrical system could result in severe damage to tractor's electrical system.
- Use only matching voltage source when "Jump starting" a low or dead battery condition.
- Do not operate the tractor with the battery cable disconnected from the battery.

OPERATING THE TRACTOR

OPERATING NEW TRACTOR

How a new tractor is handled and maintained determines the life of the tractor.

A new tractor just off the factory production line has been, of course, tested, but the various parts are not accustomed to each other, so care should be taken to operate the tractor for the first 50 hours at a slower speed and avoid excessive work or operation until the various parts become "broken-in." The manner in which the tractor is handled during the "breaking-in." period greatly affects the life of your tractor. Therefore, to obtain the maximum performance and the longest life of the tractor, it is very important to properly break-in your tractor. In handling a new tractor, the following precautions should be observed.

1. Do not operate the tractor at full speed for the first 50 hours

- Do not start quickly nor apply the brakes suddenly.
- In winter, operate the tractor after fully warming up the engine.
- Do not run the engine at speeds faster than necessary.
- On rough roads, slow down to suitable speeds.
Do not operate the tractor at fast speed.

The preceding precautions are not limited only to new tractors, but to all tractors. But it should be especially observed in the case of new tractors.

2. Changing lubricating oil for new tractors

The lubricating oil is especially important in the case of a new tractor. The various parts are not "broken-in" and are not accustomed to each other. Small metal grit may develop during the operation of the tractor, and this grit may wear out or damage the parts. Therefore, care should be taken to change the lubricating oil a little earlier than would ordinarily be required.

(For further details of change interval hours, see SERVICE INTERVALS on page 57)

BOARDING AND LEAVING THE TRACTOR

NOTE :

- Never try to get on or off a moving tractor or jump off the tractor to exit.

- Face the tractor when getting into or out of the tractor.
Do not use the controls as hand holds to prevent inadvertent machine movements.
- Always keep steps and floor clean to avoid slippery conditions.

OPERATING THE FOLDABLE ROPS

[Except B2401DTN]

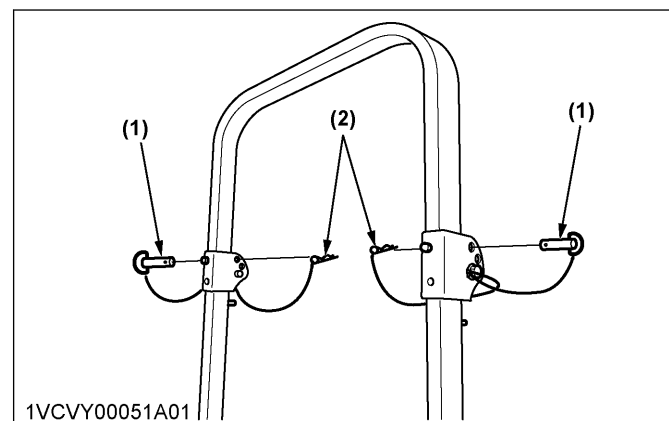
WARNING

To avoid personal injury or death:

- When raising or folding the ROPS, apply parking brake, stop the engine and remove the key.
Always perform function from a stable position at the rear of tractor.
- Fold the ROPS down only when absolutely necessary and fold it up and lock it again as soon as possible.
- Before proceeding to fold ROPS, check for any possible interference with installed implements and attachments.
If interference occurs, contact your KUBOTA Dealer.

1. Folding the ROPS

1. Remove both set bolts, maintain a hold on the ROPS.



(1) Set bolt

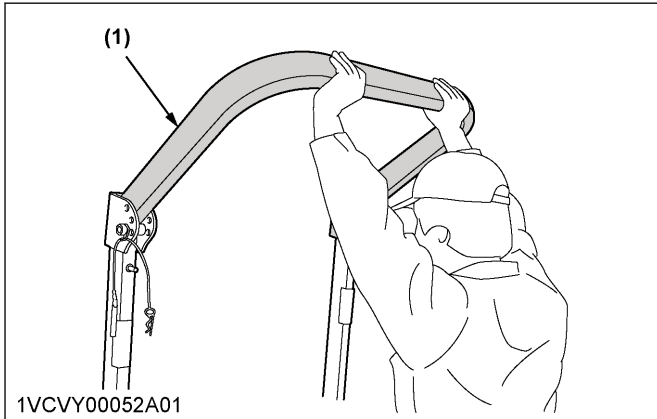
(2) Hair pin

2. Fold the ROPS.

CAUTION

To avoid personal injury:

- Hold the ROPS tightly with both hands and fold the ROPS slowly and carefully.



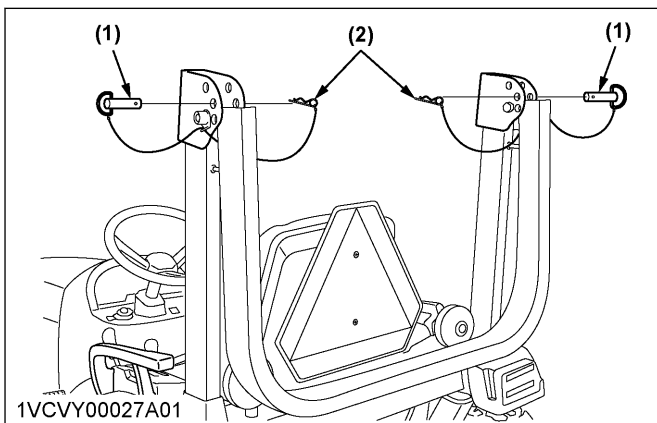
(1) ROPS

3. Insert both set bolts and secure them with the hair pins.

CAUTION

To avoid personal injury:

- Make sure that both set bolts are properly installed and secured with the hair pins.

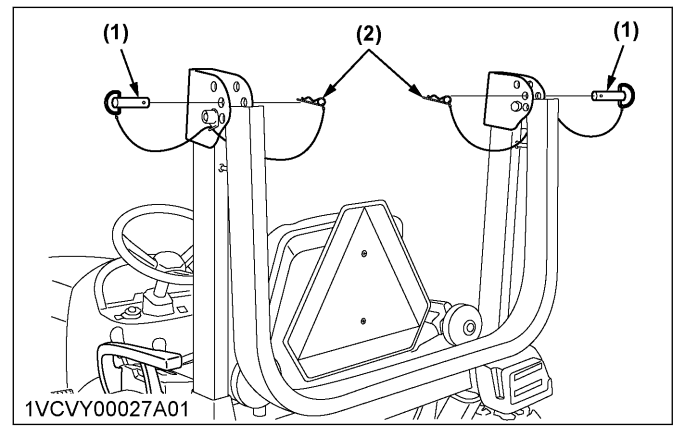


(1) Set bolt

(2) Hair pin

2. Raising the ROPS to upright position

1. Remove both hair pins and set bolts.



(1) Set bolt

(2) Hair pin

2. Raise ROPS to the upright position, maintain a hold on the ROPS.

CAUTION

To avoid personal injury:

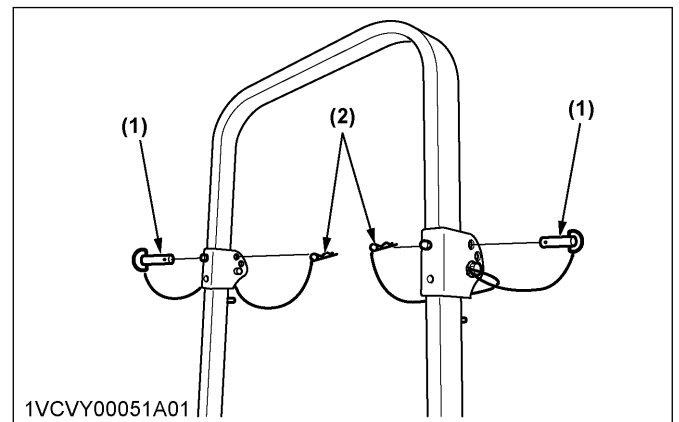
- Raise the ROPS slowly and carefully.

3. Insert both set bolts and secure them with the hair pins.

CAUTION

To avoid personal injury:

- Make sure that both set bolts are properly installed as soon as the ROPS is in the upright position and secured with the hair pins.



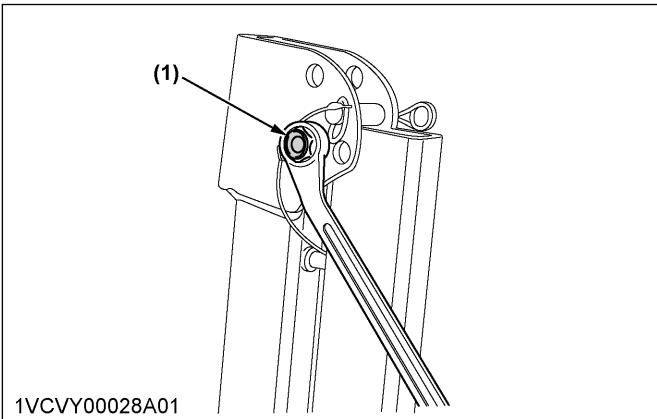
(1) Set bolt

(2) Hair pin

3. Adjustment of foldable ROPS

1. Adjust free fall of the ROPS upper frame regularly.

2. If you feel less friction in folding the ROPS, tighten the nut (1) until you feel the right friction in the movement.



(1) Nut

STARTING THE TRACTOR

1. Adjusting the operator's position

1.1 Operator's seat

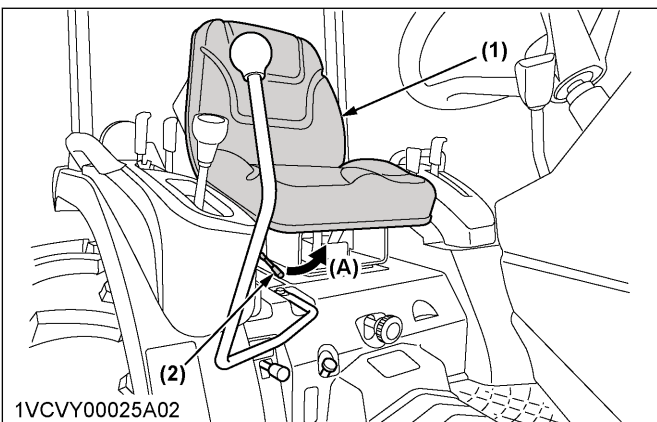
WARNING

To avoid personal injury or death:

- Make sure that the seat is completely secured after each adjustment.
- Do not allow any person other than the driver to ride on the tractor.

- **Position adjustment**

Pull in the position adjust lever and slide the seat backward or forward, as required. The seat will lock in position when the lever is released.



(1) Seat

(2) Position adjust lever

(A) Pull in

IMPORTANT :

- After adjusting the operator's seat, be sure to check that the seat is properly locked.

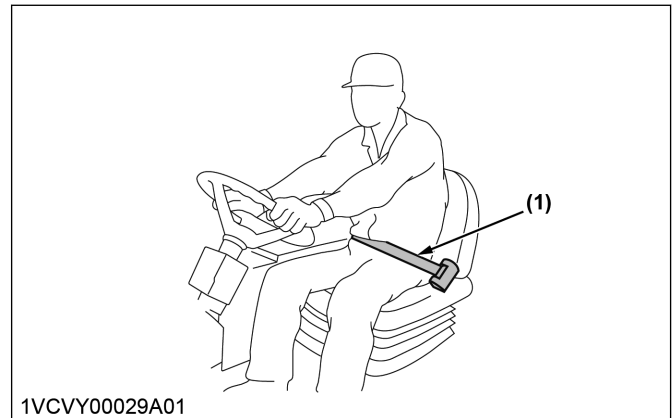
1.2 Seat belt

WARNING

To avoid personal injury or death:

- Always use the seat belt when the ROPS is installed.
- Do not use the seat belt if a foldable ROPS is down or there is no ROPS.

Adjust the seat belt for proper fit and connect to the buckle. The seat belt is auto-locking retractable type.



(1) Seat belt

2. Operator presence control (OPC) system

The tractor is equipped with a system which stops the PTO and activates a warning buzzer. This system is tripped under the following conditions.

When the tractor is stopped:

- With the seat unoccupied or tilted up, do not move the PTO gear shift lever from the "NEUTRAL" position to the "1st" or "2nd" position. The OPC is tripped to stop the engine and activate the warning buzzer.

3. Selecting light switch position

3.1 Head light / turn signal / hazard light switch

Head light switch

[OFF] (A)

Head lights are OFF.

☰ (B)

Head lights are ON.

Hazard light

When hazard light switch is pushed, the hazard lights flash, along with the LH and RH indicators on the instrument panel.

Push hazard light switch again to turn off the hazard lights.

Turn signal with hazard light switch on

To indicate a right turn with the hazard lights already flashing (hazard switch on), turn the turn signal switch clockwise.

To indicate a left turn with the hazard lights already flashing, turn the turn signal switch counterclockwise.

When the left or right turn signal is activated in combination with the hazard lights, the indicated turning light will flash and the other will stay on.

Turn signal with hazard light switch off

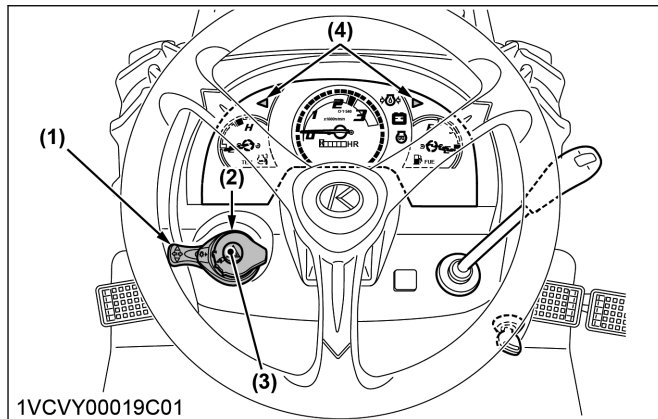
To indicate a right turn without hazard lights (hazard switch off), turn the turn signal switch clockwise.

To indicate a left turn without hazard lights, turn the turn signal switch counterclockwise.

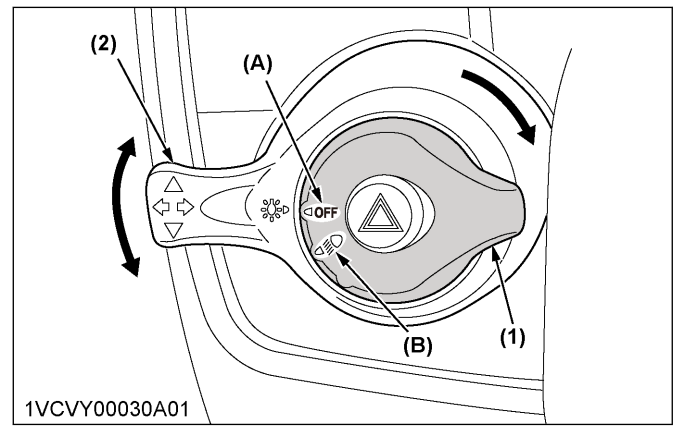
When the left or right turn signal is activated without the hazard lights, the indicated turning light will flash and the other will stay on.

NOTE :

- The hazard light switch is operative when the key switch is in either the "ON" or "OFF" positions.
- The turn signal light switch is only operative when the key switch is in the "ON" position.
- Be sure to return the turn signal switch to center position after turning.

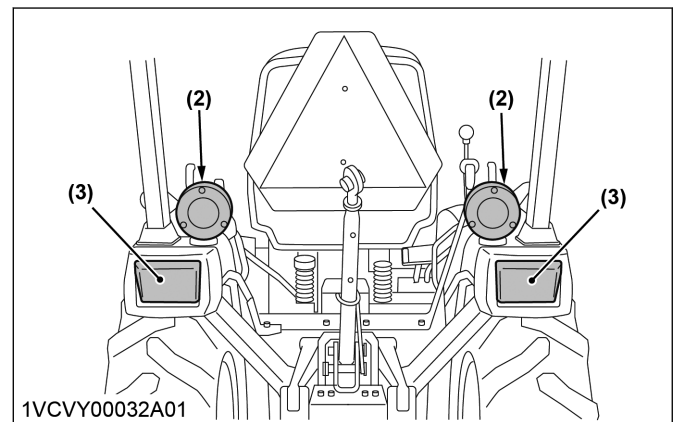
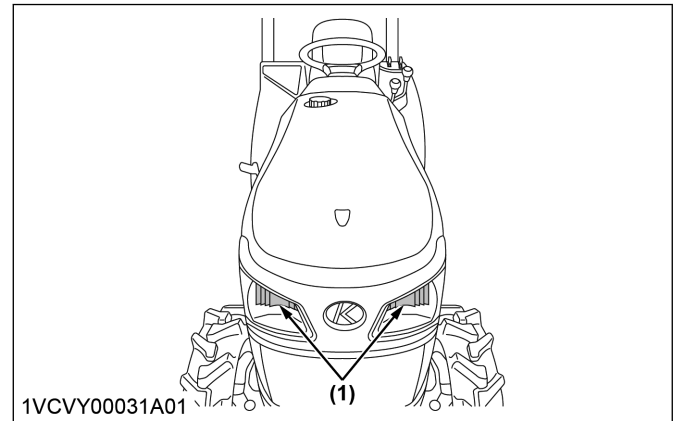


(1) Turn signal light switch (2) Head light switch
(3) Hazard light switch (4) Hazard / turn signal indicator



(1) Head light switch (A) Off
(2) Turn signal light switch (B) On

3.2 Tractor lights



(1) Head light (2) Turn signal / hazard light
(3) Tail / turn signal / hazard light

3.3 Brake pedals (right and left)

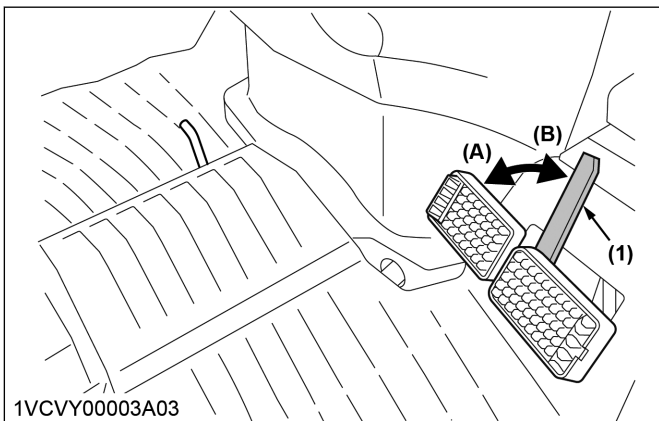
⚠ WARNING

To avoid personal injury or death:

- Applying only 1 rear wheel brake at high speeds could cause the tractor to swerve or roll-over.

- An accident may occur if the tractor is suddenly braked, such as by heavy towed loads shifting forward or loss of control.
- The braking characteristics are different between 2 and 4 wheel drive. Be aware of the difference and use carefully.
- When driving on icy, wet or loose surfaces, make sure the tractor is correctly ballasted to avoid skidding and loss of steering control. Operate at reduced speed.

- Before operating the tractor on the road or before applying the parking brake, be sure to interlock the right and left pedals as the following figure.
- Field operations only:
Use individual brakes to assist in making sharp turns at slow speeds. Disengage the brake pedal lock and depress only 1 brake pedal.
- Be sure brake pedals have equal adjustment when using locked together.



1VCVY00003A03

(1) Brake pedal lock

(A) Lock

(B) Release

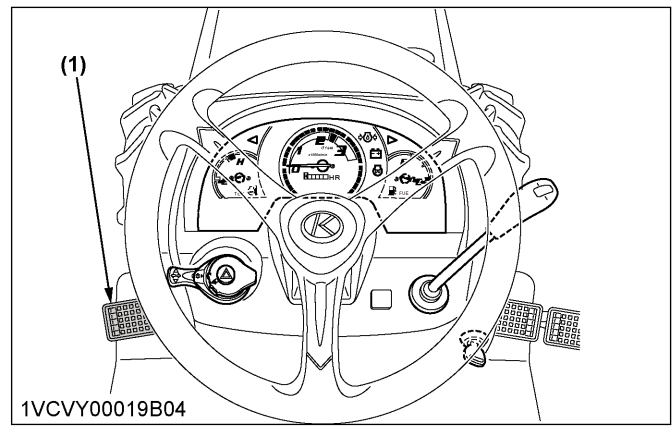
3.4 Clutch pedal

WARNING

To avoid personal injury or death:

- Sudden release of the clutch may cause the tractor to lunge in an unexpected manner.

The clutch is disengaged when the clutch pedal is fully pressed down.



1VCVY00019B04

(1) Clutch pedal

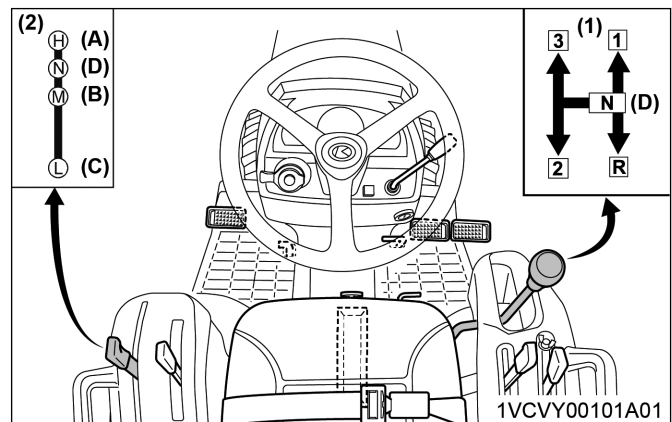
IMPORTANT :

To help prevent premature clutch wear:

- The clutch pedal must be quickly disengaged and be slowly engaged.
- Avoid operating the tractor with your foot resting on the clutch pedal.
- Select proper gear and engine speed depending on the type of job.

3.5 Main gear shift lever and range gear shift lever (L-M-H)

The main gear shift lever pattern is in the form of an “H”. The range gear shift lever moves in the form of an “I” in 3 stages, “HIGH”, “MIDDLE” and “LOW”. By combination of using the main gear shift lever and the range gear shift lever, 9 forward speeds and 3 reverse speeds are obtained.



1VCVY00101A01

(1) Main gear shift lever

(A) High

(2) Range gear shift lever (L-M-H)

(B) Middle

(C) Low

(D) Neutral position

IMPORTANT :

- To change speeds, press the clutch pedal completely down and stop the tractor before attempting to proceed with speed change.

NOTE :

- When you stand up from the seat with the main gear shift lever at engaged, the engine will stop regardless of whether the machine is moving or not. This is because the tractor is equipped with OPC (operator presence control system).

3.6 Front wheel drive lever

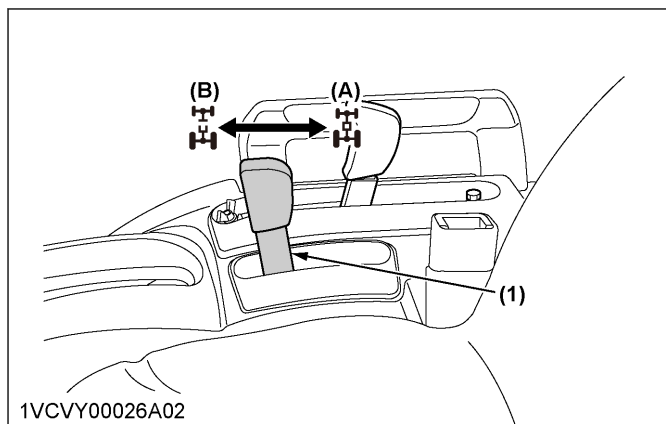
⚠ WARNING

To avoid personal injury or death:

- Do not engage the front wheel drive when traveling at road speed.
- When driving on icy, wet or loose surfaces, make sure the tractor is correctly ballasted to avoid skidding and loss of steering control. Operate at reduced speed and engage front wheel drive.
- An accident may occur if the tractor is suddenly braked, such as by heavy towed loads shifting forward or loss of control.
- The braking characteristics are different between 2 and 4 wheel drive. Be aware of the difference and use carefully.

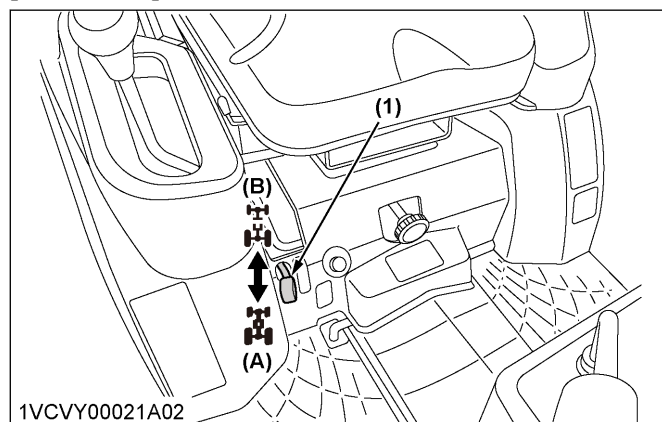
Use the lever to engage the front wheels with the tractor stopped. Shift the lever to “ON” to engage the front wheel drive.

[B2401DT / B2401DTWO]



(1) Front wheel drive lever (A) On (B) Off

[B2401DTN]



(1) Front wheel drive lever (A) On (B) Off

IMPORTANT :

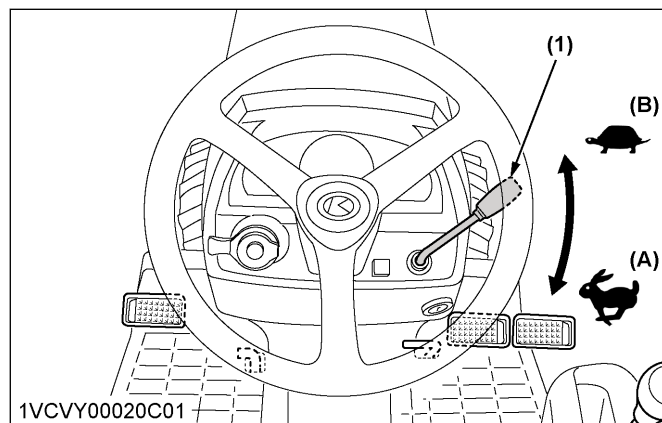
- Depress the clutch pedal before engaging the front wheel drive lever.
- Tires will wear quickly if front wheel drive is engaged on paved roads.

Front wheel drive is effective for the following jobs:

- When greater pulling force is needed, such as working in a wet field, when pulling a trailer, or when working with a front-end loader.
- When working in sandy soil.
- When working on a hard soil where a rotary tiller might push the tractor forward.
- Additional braking at reduced speeds.

3.7 Hand throttle lever

Pulling the throttle lever back increases engine speed, and pushing it forward decreases engine speed.

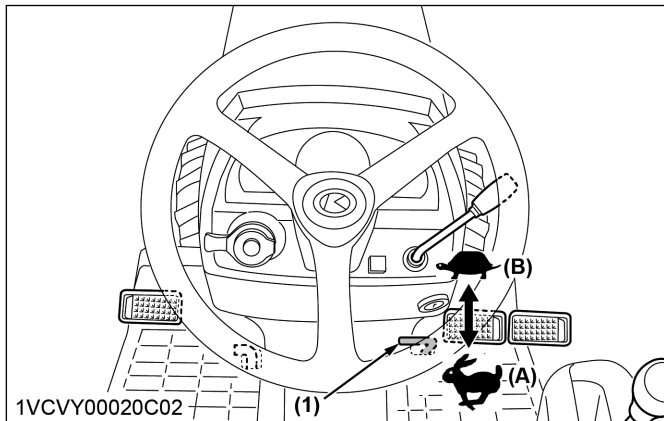


(1) Hand throttle lever (A) Increase (B) Decrease

3.8 Foot throttle

Use the foot throttle when traveling on the road. Press down on it for higher speed. The foot throttle is interlocked with the hand throttle lever. When using the

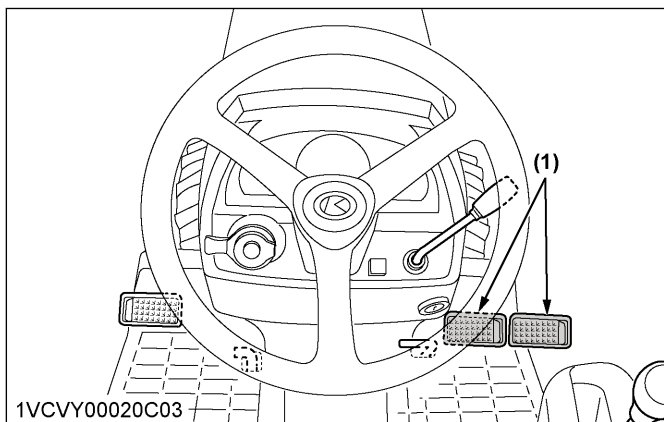
foot throttle, keep the hand throttle lever in low idling position.



(1) Foot throttle
(A) Increase
(B) Decrease

3.9 Parking brake

To release the parking brake, depress the brake pedals again.



(1) Brake pedals

STOPPING

1. Stopping

1. Slow the engine down.
2. Step on the clutch and brake pedal.
3. After the tractor has stopped, disengage the PTO, lower the implement to the ground, shift the transmission to neutral, release the clutch pedal, and set the parking brake.

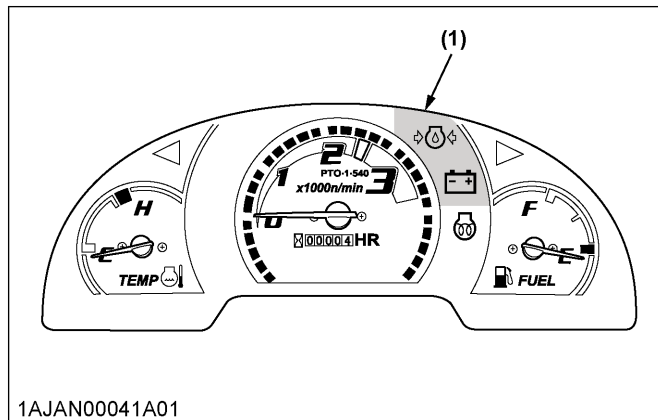
CHECK DURING DRIVING

1. Case to stop the engine immediately


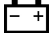
- The engine suddenly slows down or accelerates.
- Unusual noises suddenly are heard.
- Exhaust fumes suddenly become very dark.

2. Easy Checker

If the warning lamps of the Easy Checker come on during operation, immediately stop the engine, and find the cause as the following table.



(1) Easy Checker

 Engine oil pressure	If the oil pressure in the engine goes below the prescribed level, the warning lamp in the Easy Checker will come on. If this should happen during operation, and it does not go off when the engine is accelerated to more than 1000 rpm, check level of engine oil. (See Checking engine oil level on page 64)
 Electrical charge	If the alternator is not charging the battery, the warning lamp in the Easy Checker will come on. If this should happen during operation, check the electrical charging system or consult your local KUBOTA Dealer.

NOTE :

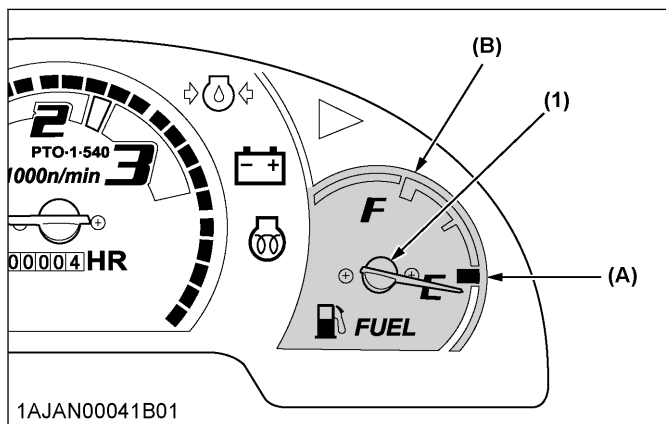
- For checking and servicing of your tractor, consult your local KUBOTA Dealer for instructions.

3. Fuel gauge

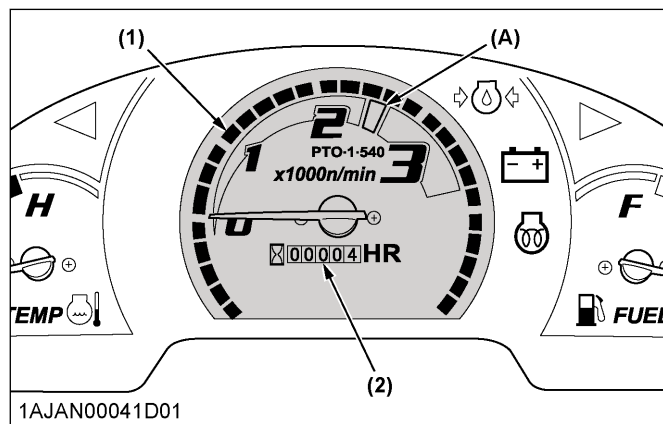
When the key switch is on, the fuel gauge indicates the fuel level.

Be careful not to empty the fuel tank. Otherwise air may enter the fuel system.

Should this happen, the system should be bled. (See Bleeding fuel system on page 80)



(1) Fuel gauge (A) Empty (B) Full



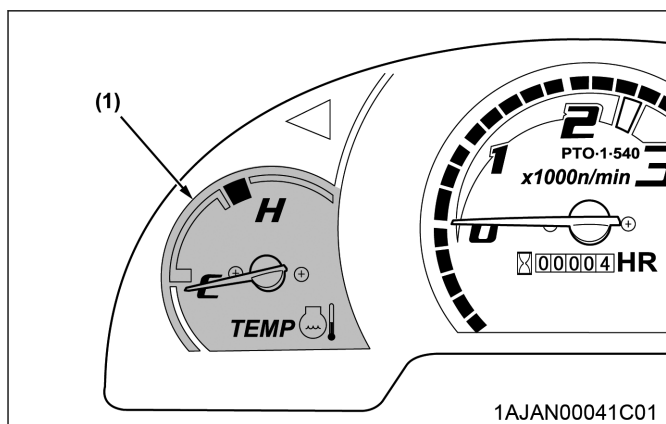
(1) Engine revolution (A) PTO: 540 rpm (PTO 1) (2) Hours used

4. Coolant temperature gauge

WARNING
 To avoid personal injury or death:

- Do not remove radiator cap until coolant temperature is well below its boiling point. Then loosen cap slightly to the stop to relieve any pressure before removing cap completely.

- With the key switch at "ON", this gauge indicates the temperature of the coolant. "C" for "cold" and "H" for "hot".
- If the indicator reaches the "H" position (red zone), engine coolant is overheated. Check the tractor by referring to ENGINE TROUBLESHOOTING on page 84.



(1) Coolant temperature gauge

5. Hourmeter / tachometer

This meter gives readings for engine speed, PTO shaft speed and the hours the tractor has been operated.

- The tachometer indicates the engine speed and the 540 PTO shaft speed location on the dial (PTO 1).
- The hourmeter indicates the hours that the tractor has been used in 5 digits and the last digit indicates 1/10 of an hour.

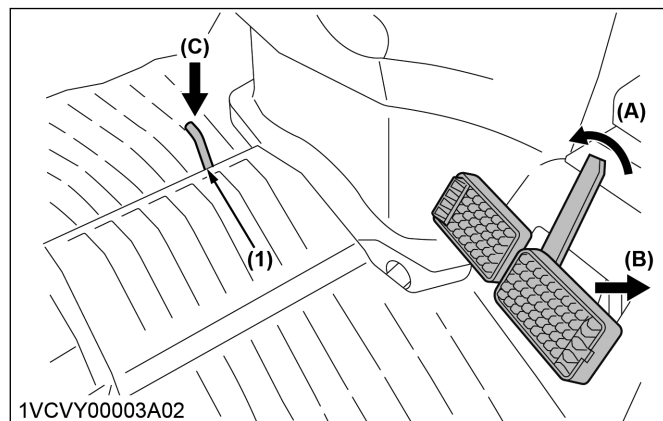
PARKING

1. Parking brake

WARNING
 To avoid personal injury or death:

- Always set the parking brake, stop the engine and remove the key before leaving the tractor seat.

- When parking, be sure to set the parking brake. To set the parking brake,
 - Interlock the brake pedals.
 - Depress the brake pedals.
 - Depress the parking brake pedal to park.



(1) Parking brake pedal (A) Interlock the brake pedals (B) Depress (C) Depress

- Before getting off the tractor, disengage the PTO, lower all implements to the ground, place all control levers in their neutral positions, set the parking brake, stop the engine and remove the key.
- If it is necessary to park on an incline, be sure to chock the wheels to prevent accidental rolling of the machine.

OPERATING TECHNIQUES

1. Differential lock

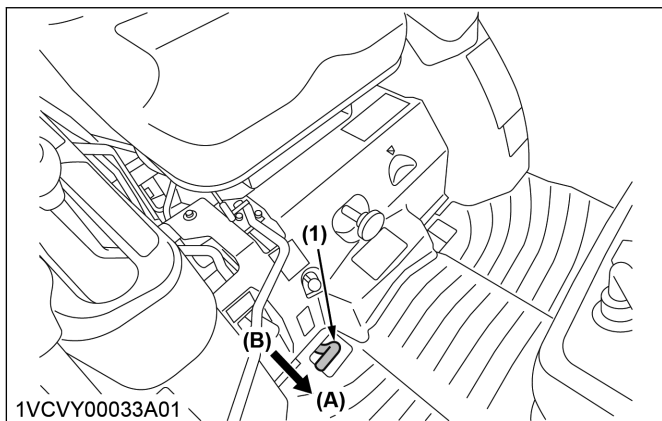
WARNING

To avoid personal injury or death due to loss of steering control:

- Do not operate the tractor at high speed with differential lock engaged.
- Do not attempt to turn with the differential lock engaged.
- Be sure to release the differential lock before making a turn in field conditions.

If one of the rear wheels should slip, step on the differential lock pedal. Both wheels will turn together, then reduce slippage.

Differential lock is maintained only while the pedal is depressed.



(1) Differential lock pedal (A) Press to engage
(B) Release to disengage

IMPORTANT :

- When using the differential lock, always slow the engine down.
- To prevent damage to power train, do not engage differential lock when one wheel is spinning and the other is completely stopped.
- If the differential lock cannot be released in the preceding manner, step lightly on the brake pedals alternately.

2. Operating the tractor on a road

WARNING

To avoid personal injury or death:

- To help assure straight line stops when driving at transport speeds, lock the brake pedals together. Uneven braking at road speeds could cause the tractor to roll-over.
- When traveling on road with 3-point hitch mounted implement attached, be sure to have

sufficient front weight on the tractor to maintain steering ability.

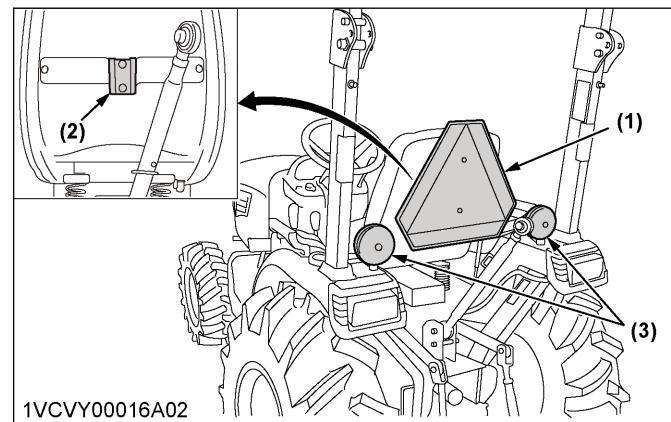
(See Front ballast on page 54, Rear ballast on page 55)

- Towed equipment (without brake) must not exceed 1.5 times the tractor weight when traveling on roads or at high speeds.

Be sure SMV emblem and hazard light are clean and visible. If towed or rear-mounted equipment obstructs these safety devices, install SMV emblem and hazard light on equipment.

If towed or rear-mounted agricultural equipment obstructs these safety devices, do not travel on public road.

Consult your local KUBOTA dealer for further detail.



(1) SMV emblem (3) Hazard light
(2) Bracket

3. Operating on slopes or rough terrain

WARNING

To avoid personal injury or death:

- Always back up when going up a steep slope. Driving forward could cause the tractor to tip over backward. Stay off hills and slopes too steep for safe operation.
- Avoid changing gears when climbing or descending a slope.
- If operating on a slope, never disengage the clutch or shift levers to neutral. Doing so could cause loss of control.
- Do not drive the tractor close to the edges of ditches or banks which may collapse under the weight of the tractor. Especially when the ground is loose or wet.

- Be sure wheel tread is adjusted to provide proper stability.
(See Front wheels on page 51, Rear wheels on page 52)

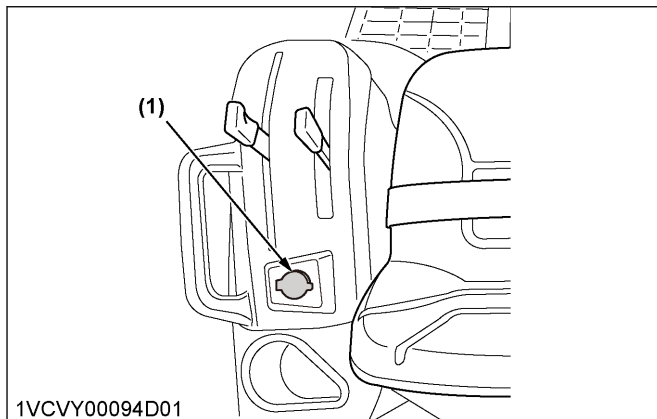
- Slow down for slopes, rough ground, or sharp turns, especially when transporting heavy, rear mounted equipment.
- Before descending a slope, shift to a gear low enough to control speed without using brakes.

4. Directions for use of power steering

- Power steering is activated only while the engine is running. While the engine is stopped, the tractor functions in the same manner as tractors without power steering.
- When the steering wheel is turned all the way to the stop, the relief valve is activated. Do not hold the steering wheel in this position for a long period of time.
- Avoid turning the steering wheel while the tractor is stopped, or tires may wear out sooner.
- The power steering mechanism makes the steering easier. Be careful when driving on a road at high speeds.

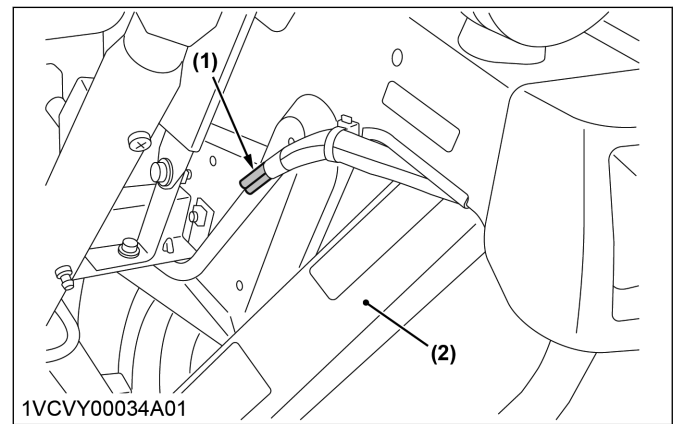
5. Electrical outlet

An electrical outlet is supplied for use with implement and electrical equipment.



1VCSV00094D01

- (1) *Accessory electrical outlet
(DC 12 V, MAX 120 W)*



1VCSV00034A01

- (1) *Accessory electrical outlet
(DC 12 V, MAX 120 W)* (2) *ROPS (right side)*

IMPORTANT :

- **The 2-electrical outlets can accept the power of up to 120 W in total. Do not overload them.**

PTO

PTO OPERATION

WARNING

To avoid personal injury or death:

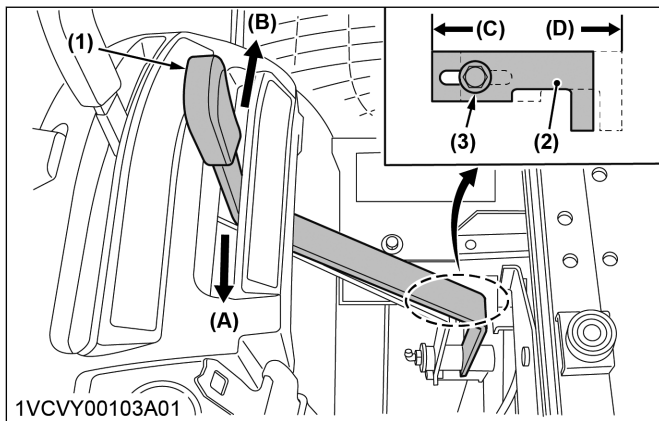
- To prevent damage to PTO driven equipment and possibly causing personal injury, use the 2nd rear PTO speed and mid-PTO speed only when these higher rpms are specifically recommended by the implement manufacturer.
- Disengage PTO, stop engine, and allow all rotating components to come to a complete stop before connecting, disconnecting, adjusting, or cleaning any PTO driven equipment.

1. PTO gear shift lever

The tractor has 2 rear PTO speeds and 1 mid PTO speed.

		PTO speed (rpm)
1st	Rear	540
2nd	Rear	1000
	Mid*1	2500

*1 Except B2401DTN



- (1) PTO gear shift lever
- (2) Restricting plate
- (3) Bolt
- (A) 1st (rear: 540 rpm)
- (B) 2nd (rear: 1000 rpm / mid: 2500 rpm)
- (C) Restricted position (original position)
- (D) Released position

IMPORTANT :

- To avoid shock loads to the PTO, reduce engine speed when engine the PTO, then open the throttle to the recommended speed.

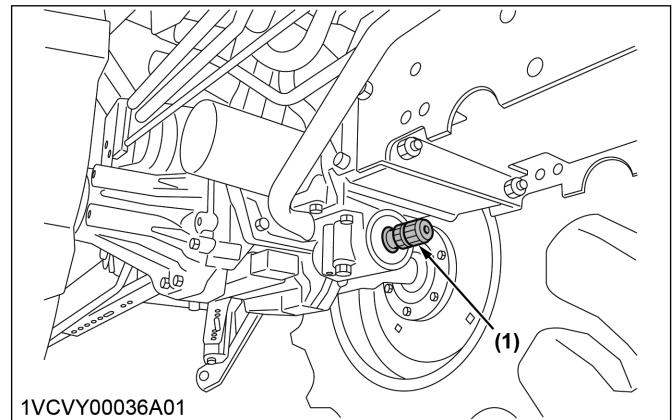
- Replace restricting plate to (C) position after use of the “2nd” PTO speed.
- To avoid damage of transmission, do not shift PTO gear shift lever until the PTO has stooped completely.

NOTE :

- When you stand up from the seat with the PTO gear shift lever in the “ON” position, the engine will stop regardless of the position of the PTO select lever.
This is because the tractor is equipped with OPC (operator presence control system).

Mid PTO [Except B2401DTN]

The mid PTO is available for KUBOTA approved implements.



(1) Mid PTO

Mid PTO		
Model	B2401DT / B2401DTWO	
Engine speed	(rpm)	2482
Shaft	10-spline USA No.5	
PTO speed	(rpm)	2500

Rear PTO		
Model	B2401DT / B2401DTWO / B2401DTN	
Engine speed	(rpm)	2503
Shaft	6-spline	
PTO speed	(rpm)	540

NOTE :

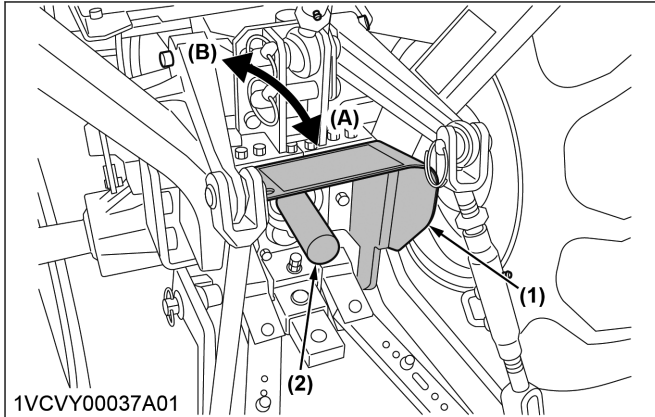
- There is a PTO-1 (540 rpm) indicated mark on the tachometer face. Be sure to check before operating.

- Tractor engine will not start if PTO gear shift lever is in the engaged “ON” position.

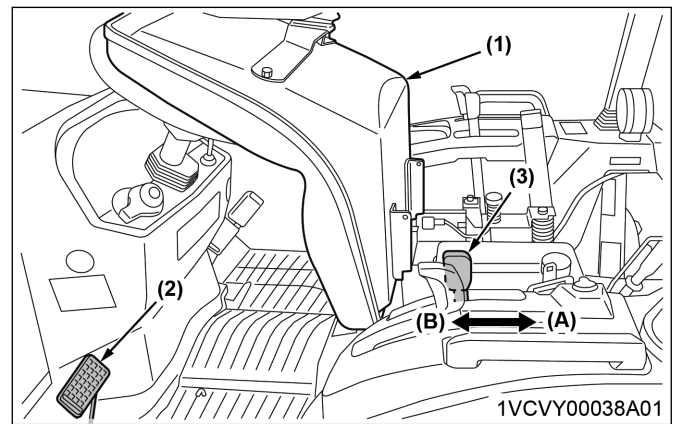
2. PTO shaft cover and shaft cap

Keep the PTO shaft cover in place at all times. Replace the PTO shaft cap when the PTO is not in use. Before connecting or disconnecting a drive shaft to PTO shaft, be sure the engine is “OFF” and raise up the PTO shaft cover.

Afterward be sure to return the PTO shaft cover to the normal position.



- (1) PTO shaft cover
 (2) PTO shaft cap
 (A) Normal position
 (B) Raised position



- (1) Seat
 (2) Clutch pedal
 (3) PTO gear shift lever
 (A) Rear PTO: 1st / Mid PTO: off
 (B) Neutral position

NOTE :

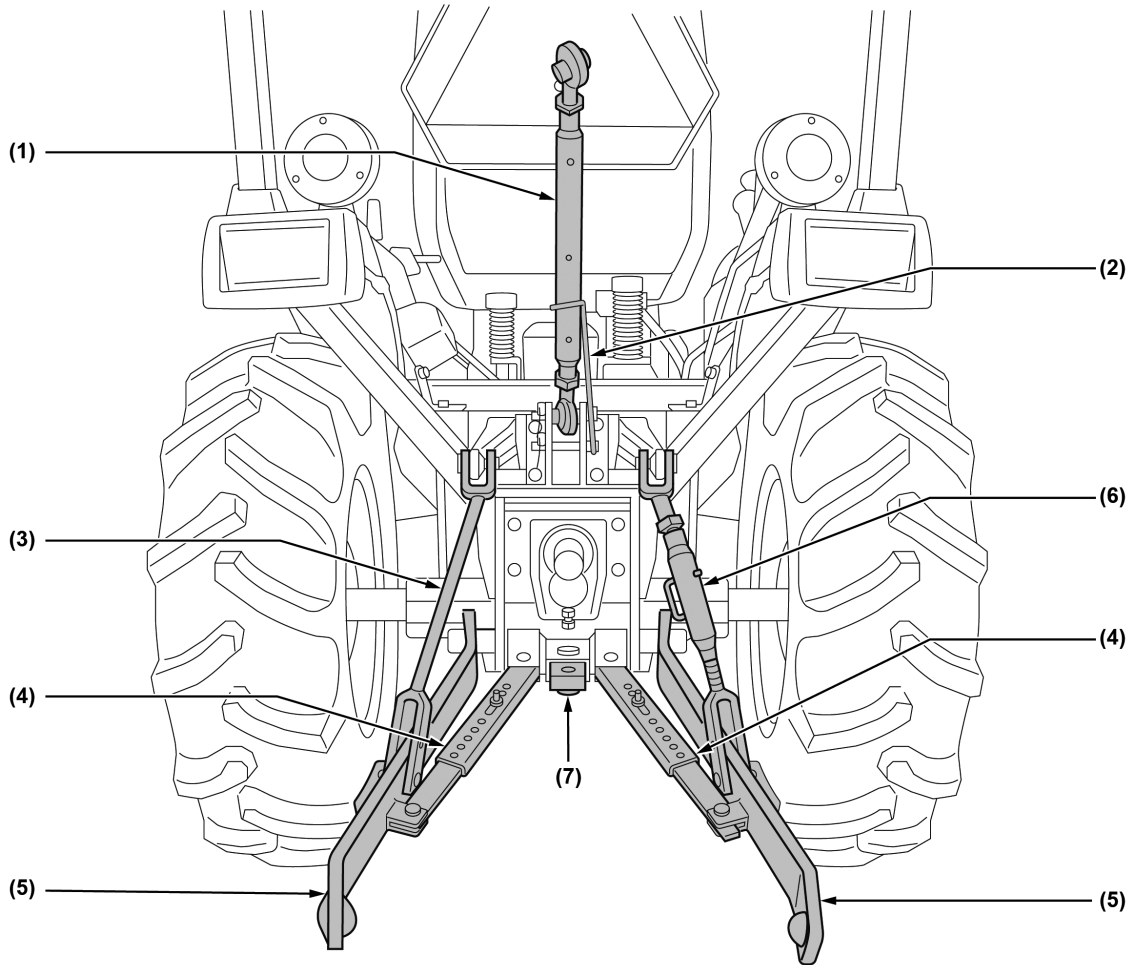
- If the PTO system is engaged and you stand up from the seat or the seat is not tilted forward, the engine stops and buzzer sounds automatically after standing up.

3. Stationary PTO

To park the tractor and use the PTO system (for chipper or pump, for example), start the PTO system in the following steps.

1. Apply the parking brakes and place blocks at the tires.
2. Make sure the shift levers are at “NEUTRAL”, and start the engine.
3. Set the PTO gear shift lever to “Rear PTO 1st” position.
4. Set the engine speed to provide recommended rear PTO speed.
5. Dismount the seat and tilt up quickly.
 Engine will stop if there is a delay in tilting up the seat.

3-POINT HITCH AND DRAWBAR



1VCVY00039A01

(1) Top link
(2) Top link holder

(3) Lifting rod (left)
(4) Telescopic stabilizers

(5) Lower link
(6) Lifting rod (right)

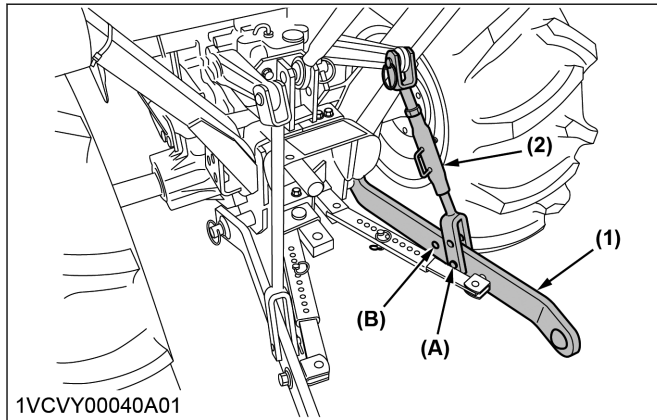
(7) Drawbar

3-POINT HITCH

1. Make preparations for attaching implement

1.1 Selecting the holes of lifting rods and lower links

There are 2 holes in the lower links. For most operations, the lifting rods should be attached to the (A) holes.



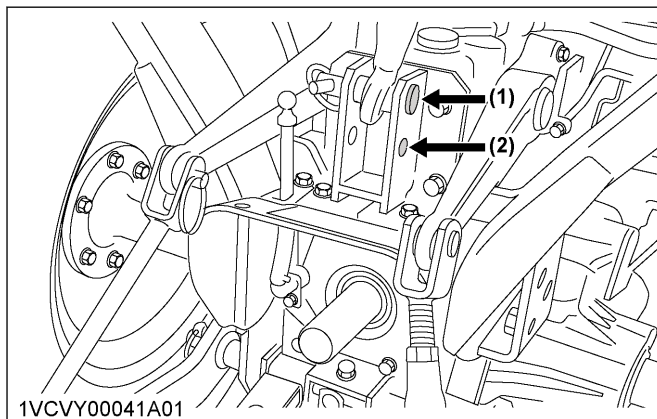
(1) Lower links
(2) Lifting rods
(A) Hole
(B) Hole

NOTE :

- The lifting rods may be attached to (B) hole for higher lifting height (with reduced lifting force).

1.2 Selecting the top link mounting holes

1. Select the proper set of holes by referring to Hydraulic control unit use reference chart on page 49.



(1) Mounting hole 1
(2) Mounting hole 2

1.3 Drawbar

Remove the drawbar if a close mounted implement is being attached.

2. Attaching and detaching implements

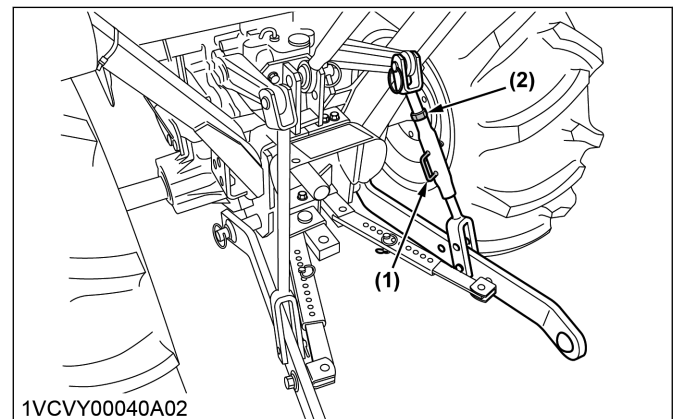
⚠ WARNING

To avoid personal injury or death:

- Be sure to stop the engine and remove the key.
- Do not stand between tractor and implement unless parking brake is applied.
- Before attaching or detaching implement, locate the tractor and implement on a firm, flat and level surface.
- Whenever an implement or other attachment is connected to the tractor 3-point hitch, check full range of operation for interference, binding or PTO driveline separation.

2.1 Lifting rod (right)

1. Level a 3-point mounted implement from side to side by turning the adjusting handle to shorten or lengthen the adjustable lifting rod with the implement on the ground.
2. After adjustment, tighten the lock nut securely.



(1) Adjusting handle
(2) Lock nut

2.2 Top link

1. Adjust the angle of the implement to the desired position by shortening or lengthening the top link. The proper length of the top link varies according to the type of implement being used.

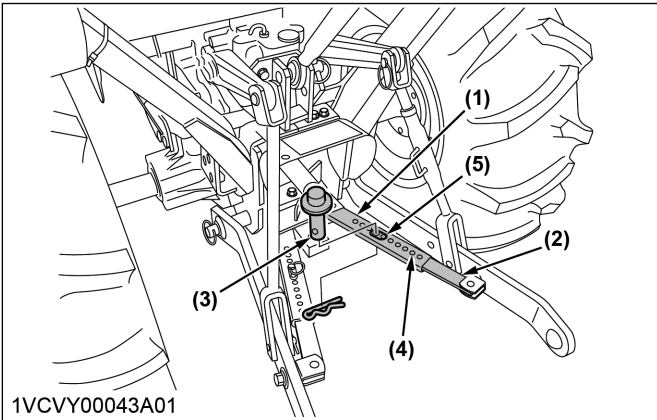
2.3 Telescopic stabilizers

Adjust the telescopic stabilizers to control horizontal sway of the implement. Select the proper set of holes by referring to Hydraulic control unit use reference chart on page 49.

After aligning satisfactorily, insert the set-pin through any one of the 8 holes on the outer tube that align with

one of the holes on the inner bar, both stabilizers will be locked.

If the set-pin is inserted through the slot to engage one of the holes on the inner bar, a limited degree of sway will be permitted.



1VCVY00043A01

- (1) Outer tube
- (2) Inner bar
- (3) Set-pin
- (4) Hole
- (5) Slot

DRAWBAR

WARNING

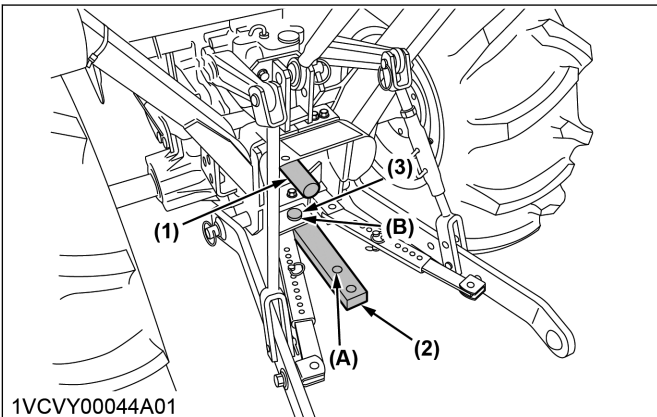
To avoid personal injury or death:

- Never pull from the top link, the rear axle or any point above the drawbar. Doing so could cause the tractor to tip over rearward causing personal injury or death.

1. Adjusting drawbar length

When towing an implement, use of (B) hole in drawbar is recommended.

The acceptable drawbar load is provided in IMPLEMENT LIMITATIONS on page 21.



1VCVY00044A01

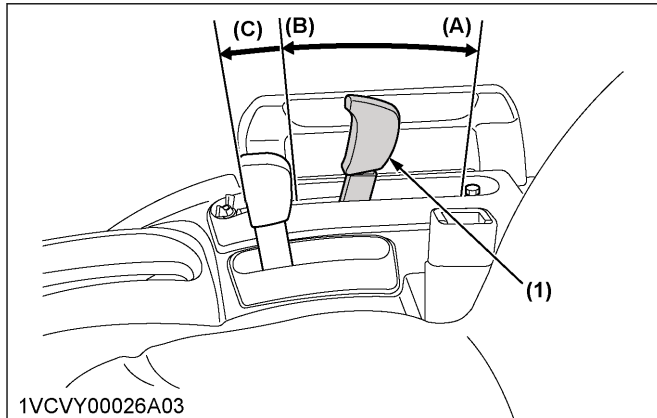
- (1) PTO shaft cap
- (2) Drawbar
- (3) Drawbar pin
- (A) Hole
- (B) Hole

HYDRAULIC UNIT

3-POINT HITCH CONTROL SYSTEM

1. Position control

This will control the working depth of 3-point hitch mounted implement regardless of the amount of pull required.



(1) Position control lever
 (A) Float
 (B) Down
 (C) Up

IMPORTANT :

- If the 3-point hitch can not be raised by setting the hydraulic control lever to the UP position after long term storage or when changing the transmission oil, turn steering wheel to the right and left several times to bleed air from the system.
- Do not operate until the engine is warmed up. If operation is attempted when the engine is still cold, the hydraulic system may be damaged.
- If noises are heard when implement is lifting after the hydraulic control lever has been activated, the hydraulic mechanism is not adjusted properly. Unless corrected, the unit will be damaged. Contact your KUBOTA Dealer for adjustment.

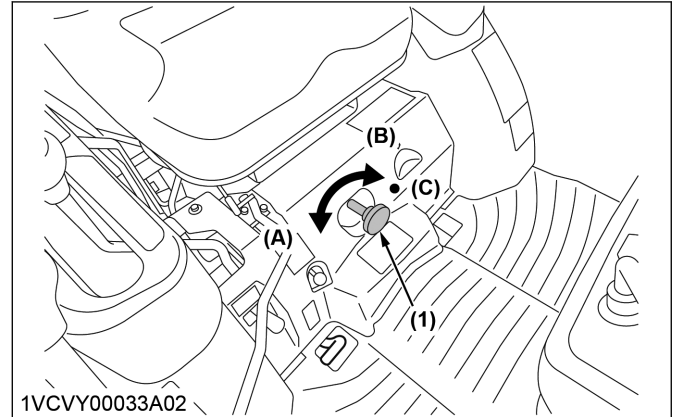
2. 3-point hitch lowering speed

WARNING

To avoid personal injury or death:

- Fast lowering speed may cause damage or injury. Lowering speed of implement should be adjusted to 2 or more seconds.

The lowering speed of the 3-point hitch can be controlled by adjusting the 3-point hitch lowering speed knob.



(1) 3-point hitch lowering speed knob
 (A) Fast
 (B) Slow
 (C) Lock

AUXILIARY HYDRAULICS

[Without loader valve only]

Hydraulic outlet is provided on the tractor.

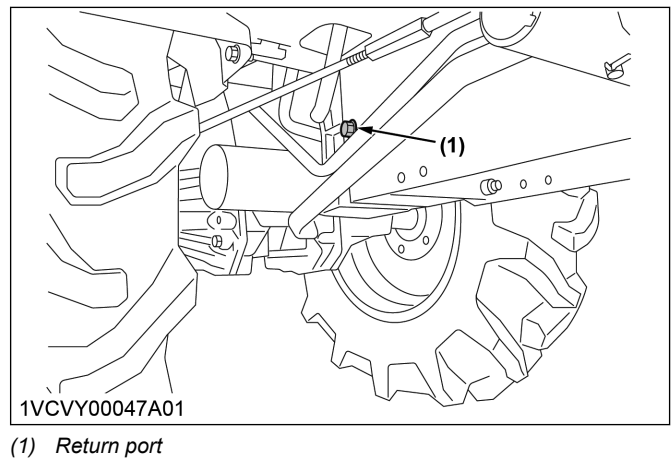
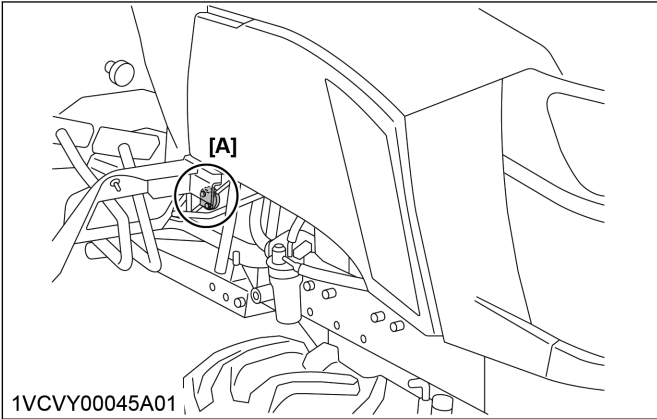
1. Hydraulic block type outlet

Hydraulic block type outlet is useful when adding hydraulically operated equipment such as front end loader, front blade, etc.

When an implement is attached:

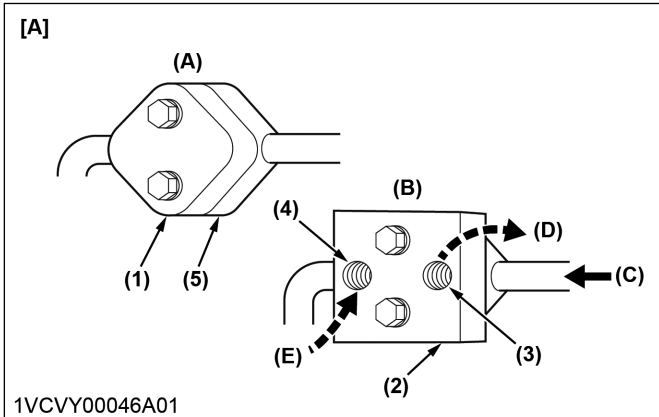
1. Remove the block cover.
2. Attach the block outlet cover (option).

[B2401DTWO / B2401DTN only]



1.1 Rear outlet

[All models]
2-hydraulic outlets are provided on the tractor.



- (1) Block cover
- (2) Block cover outlet (option)
- (3) Outlet
- (4) Inlet
- (5) Hydraulic block
- (A) When implement is not attached.
- (B) When implement is attached.
- (C) From gear pump
- (D) To implement inlet (no relief valve in the hydraulic block)
- (E) From implement outlet

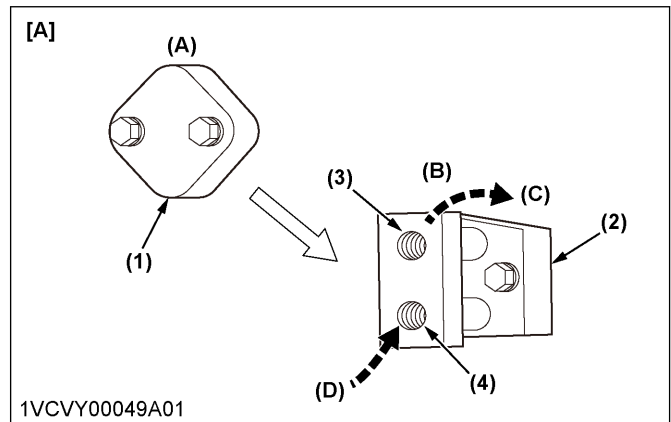
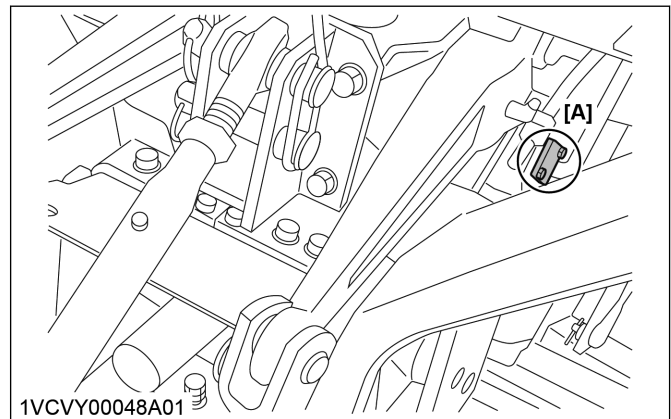
(D)	Max. flow
	17.9 L/min (4.7 U.S.gals./min)

IMPORTANT :

- For hydraulic block type outlet, be sure to use the control valve of the [power beyond type] with relief valve that has a third line return to tank for the operation of hydraulic block.

NOTE :

- The "tank" port flow from implement valve should be connected to the port located on the right hand side of transmission case.



- (1) Block cover
- (2) Block cover outlet (option)
- (3) Outlet
- (4) Inlet
- (A) When implement is not attached.
- (B) When implement is attached.
- (C) To implement inlet
- (D) From implement outlet

(C)	Max. flow	Max. pressure
	16.6 L/min (4.4 U.S.gals./min)	13.2 MPa to 13.7 MPa (135 kgf/cm ² to 140 kgf/cm ²) [1920 psi to 1992 psi]

NOTE :

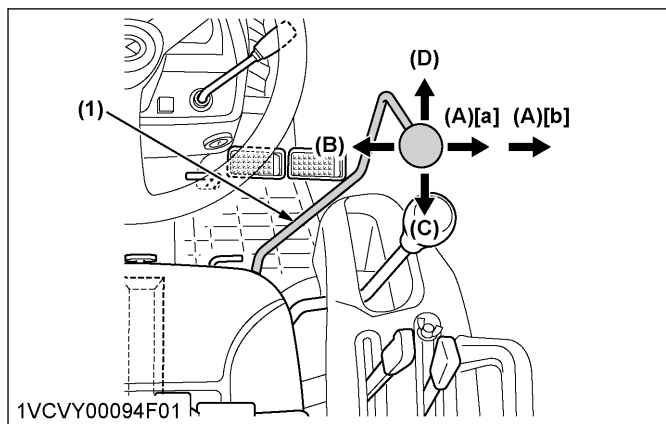
- If the implement control valve has a relief valve, the tank port flow from implement should be connected to the port located on the right hand side of transmission case.

DUAL REMOTE HYDRAULIC CONTROL SYSTEM [B2401DT ONLY]

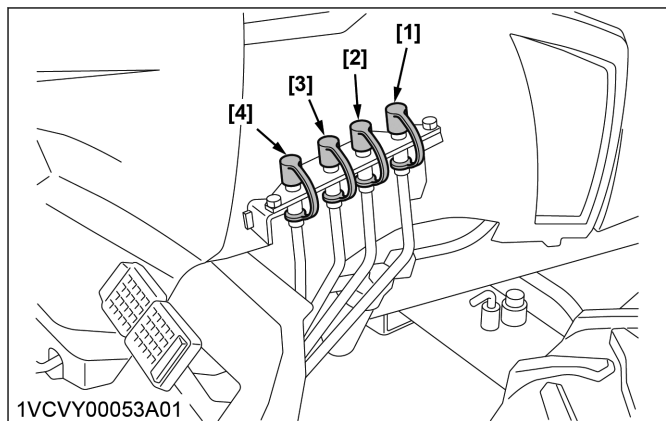
The tractor is equipped with the double-acting 2-segment hydraulic control valve for front loader. To apply the hydraulic power take-off for general attachments, keep the following point in mind.

1. Control lever and hydraulic hose connections

Connect the control lever in its specified direction and the hydraulic hoses to their specified ports.



- (1) Loader / remote control valve lever
- (A) Right
- (B) Left
- (C) Up
- (D) Down
- [a] R1
- [b] R2



- [1] White
- [2] Yellow
- [3] Red
- [4] Blue

[Hydraulic outlet ports of first segment]

Lever		Up		Down	
Port	[1]	In	← Returning	Out	→ Pressure
	[2]	Out	→ Pressure	In	← Returning

[Hydraulic outlet ports of second segment]

Lever		Right		Left	
Port	[3]	Out	→ Pressure	In	← Returning
	[4]	In	← Returning	Out	→ Pressure

IMPORTANT :

To avoid damage of the attachments:

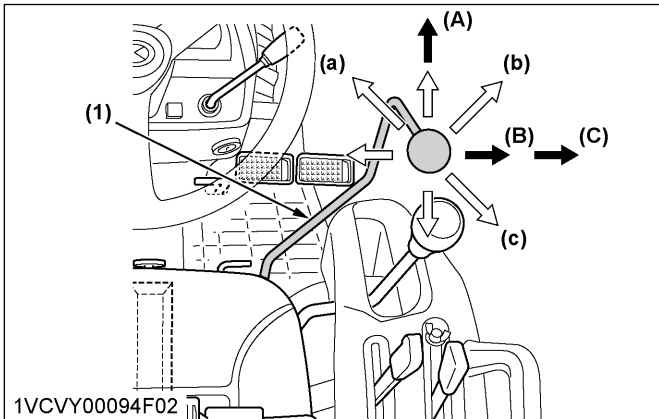
- Do not connect attachments through the hydraulic motor to the [3] and [4] ports. If the control lever is moved to the regeneration position (R1), the seals on the hydraulic motor will be damaged.
- This control valve is provided with the regeneration position. When the [3] and [4] ports are used to take off hydraulic power for the hydraulic cylinder, be sure to connect the [3] port to the head-end side port of the hydraulic cylinder.
- Make the following connections when using this valve to take off hydraulic power for the hydraulic cylinder.

Colored coupler	Hydraulic cylinder port
[2] Yellow, [4] Blue	Head-end side
[1] White, [3] Red	Rod-end side

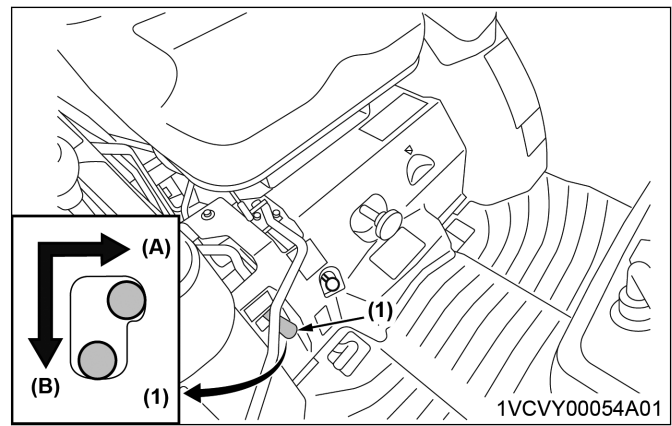
2. Loader / remote control valve lever

1. Before moving the lever, make sure that the hydraulic hoses for attachments are connected.

2. Move the lever diagonally ((a), (b), and (c) shown in the figure), and the first and second segments can be controlled at once.



(1) Loader / remote control valve lever
 (A) Float
 (B) R1
 (C) R2



(1) Lock lever
 (A) Unlock
 (B) Lock

NOTE :

- Move the lever to the “**FLOAT**” position, and it will be held there by the detent mechanism. To use the valve as a floating valve with detents, connect the hydraulic hoses to ports white and yellow.
- When taking off hydraulic power from port red, the flow rate can be adjusted in 2 stages with the lever.
 The flow rate is high at position (R1) and low at position (R2). Move the lever to position (R1) or (R2) depending on the attachment in use.

3. Valve lock

⚠ WARNING


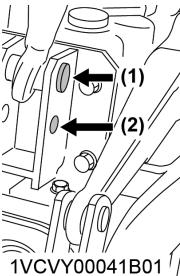
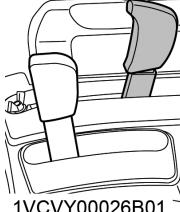
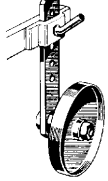
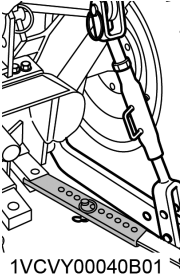
To avoid personal injury or death from crushing:

- Do not utilize the valve lock for machine maintenance or repair.
- The valve lock is to prevent accidental actuation when implement is not in use or during transport.

The control valve is equipped with a valve lock feature. The control valve is locked in the “**LOCK**” position. The lock is not intended and will not prevent a leak down of the implement during the period of storage.

4. Hydraulic control unit use reference chart

In order to handle the hydraulics properly, the operator must be familiar with the following. Though this information may not be applicable to all types of implements and soil conditions, it is useful for general conditions.

Implement	Soil condition  1AGAIAZAP122A	Top link mounting holes  1VCVY00041B01	 1VCVY00026B01 (1) position control lever	Gauge wheel  1AGAIAZAP070A	Telescopic stabilizers  1VCVY00040B01	Remarks
Moldboard plow	Light soil Medium soil Heavy soil	Hole 1 *Hole 2 is used only when there is some obstacle that prevents you from using the hole1.	Position control	Yes/no	Loose	Insert the set-pin through the slot on the outer tube that align with one of the holes on the inner bar. For implements with gauge wheels, lower the implements to the ground.
Disc plow	—					
Harrower (spike, springtooth, disc type)	—					
Sub-soiler	—			Yes	Telescopic stabilizer should be tight enough to prevent excessive implement movement when implement is in raised position. For implements with gauge wheels, lower the implements to the ground.	
Weeder, ridger	—			Yes/no		
Earthmover, digger, scraper, manure fork, rear carrier	—					
Mower (mid-and rear-mount type), hayrake, tedder	—					

TIRES, WHEELS, AND BALLAST

TIRES

WARNING

To avoid personal injury or death:

- Do not attempt to mount a tire on a rim. This should be done by a qualified person with the proper equipment.
- Always maintain the correct tire pressure. Do not inflate tires above the recommended pressure shown in the operator's manual.

IMPORTANT :

- Do not use tires other than those approved by Kubota.

1. Inflation pressure

Though the tire pressure is factory-set to the prescribed level, it naturally drops slowly over the course of time. Thus, check it regularly and inflate as necessary.

	Tire sizes	Inflation pressure
Rear	8-16, 4PR	160 kPa (1.6 kgf/cm ²) [23 psi]
	8.3-16, 6PR	150 kPa (1.5 kgf/cm ²) [22 psi]
	9.5-16, 4PR	140 kPa (1.4 kgf/cm ²) [20 psi]
	12-16.5, 4PR	270 kPa (2.7 kgf/cm ²) [40 psi]
	31 × 15.5-15, 4PR	140 kPa (1.4 kgf/cm ²) [20 psi]
	33 × 12.5-15, 4PR	140 kPa (1.4 kgf/cm ²) [20 psi]
	12-16.5 R14, 6PR	210 kPa (2.1 kgf/cm ²) [30 psi]
Front	5-12, 4PR	240 kPa (2.4 kgf/cm ²) [34 psi]
	6-12, 4PR	200 kPa (2.0 kgf/cm ²) [28 psi]
	21 × 8.00-10, 4PR	160 kPa (1.6 kgf/cm ²) [23 psi]
	23 × 8.50-12 Turf, 4PR	150 kPa (1.5 kgf/cm ²) [22 psi]
	23 × 8.50-12 Ind., 4PR	250 kPa (2.5 kgf/cm ²) [35 psi]
	23 × 8.50-12 R14, 6PR	234 kPa (2.4 kgf/cm ²) [34 psi]

NOTE :

- Maintain the maximum recommended pressure in the front tires, when using a front loader or equipped with a full load of front weights.

2. Dual tires

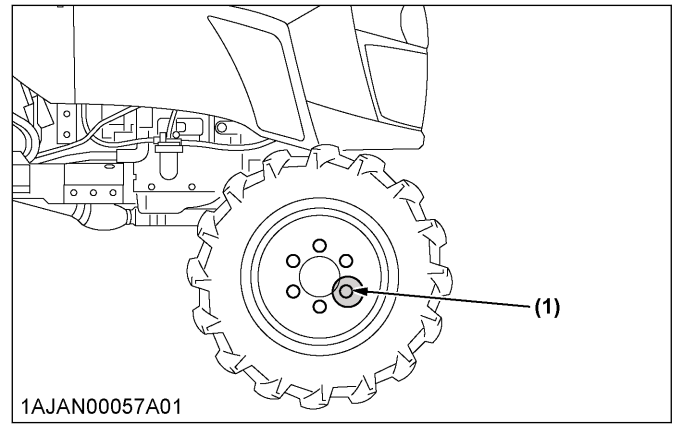
Dual tires are not approved.

WHEEL ADJUSTMENT

WARNING

To avoid personal injury or death:

- When working on slopes or when working with trailer, set the wheel tread as wide as practical for maximum stability.
- Support tractor securely on stands before removing a wheel.
- Do not work under any hydraulically supported devices. They can settle, suddenly leak down, or be accidentally lowered. If necessary to work under tractor or any machine elements for servicing or adjustment, securely support them with stands or suitable blocking beforehand.
- Never operate tractor with a loose rim, wheel, or axle.



1AJAN00057A01

(1) Bolt

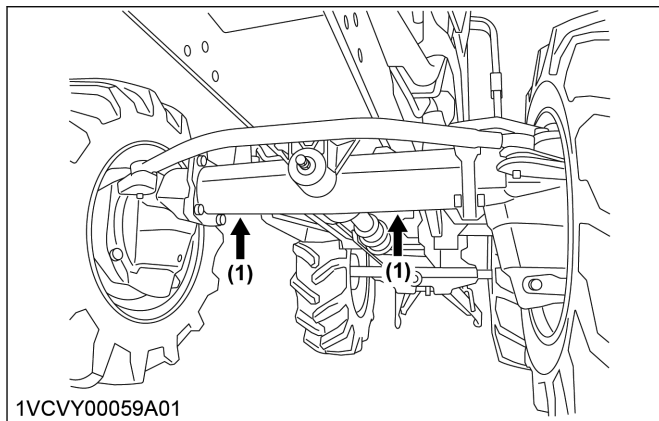
Tightening torque	Bolt (1)	79 N · m to 92 N · m (8.1 kgf · m to 9.4 kgf · m) [58.3 lbf · ft to 67.9 lbf · ft]
-------------------	----------	--

1. Front wheels

WARNING

To avoid personal injury or death:

- Before jacking up the tractor, park it on a firm and level ground and chock the rear wheels.
- Fix the front axle to keep it from pivoting.
- Select jacks that withstand the machine weight and set them up as shown in the figure.



1VCVY00059A01

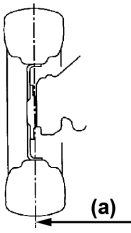
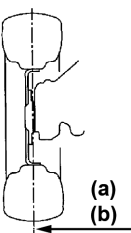
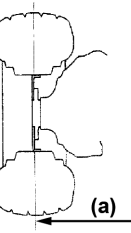

(1) Jack point

IMPORTANT :

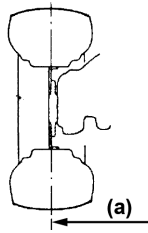
- Do not turn front discs to obtain wider tread.
- When re-fitting or adjusting a wheel, tighten the bolts to the following torques then recheck after driving the tractor 200 m (200 yards) and 10 times of shuttle movement by 5 m (5 yards), and thereafter according to service interval. (See SERVICE INTERVALS on page 57)

NOTE :

- Front tread width can not be adjusted.

Tire	Models	Tread
5-12 Farm	B2401DTN	 <p>1VCVY00063A01 (a) 705 mm (27.5 in.)</p>
6-12 Farm	B2401DT B2401DTWO B2401DTN	 <p>1VCVY00064A01 (a) 730 mm (28.7 in.) [B2401DTN] (b) 800 mm (31.5 in.) [B2401DT / B2401DTWO]</p>
23 × 8.50-12 Turf	B2401DT B2401DTWO	 <p>1VCVY00065A01 (a) 835 mm (32.9 in.)</p>
21 × 8.00-10 Bar	B2401DT B2401DTWO	 <p>1VCVY00066A01 (a) 905 mm (35.6 in.)</p>

(Continued)

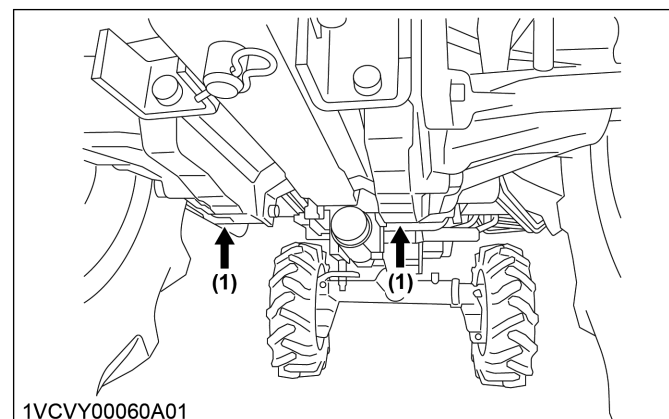
Tire	Models	Tread
23 × 8.50-12 Ind. 23 × 8.50-12 R14	B2401DT B2401DTWO	 <p>1VCVY00067A01 (a) 835 mm (32.9 in.)</p>

2. Rear wheels

WARNING

To avoid personal injury or death:

- Before jacking up the tractor, park it on a firm and level ground and chock the front wheels.
- Fix the front axle to keep it from swinging.
- Select jacks that withstand the machine weight and set them up as shown in the figure.



(1) Jack point

NOTE :

- Rear tread width can be adjusted as shown.

2.1 Adjusting the rear wheels

For adjusting tread width, see to the following table.

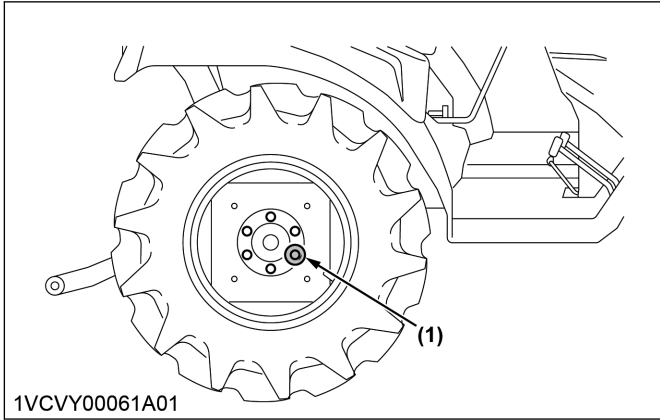
Tire	Model	Tread
8-16 Farm	B2401DTN	<p>1VCVY00068A01 (a) 790 mm (31.1 in.) (b) 700 mm (27.6 in.)</p>
8.3-16 Farm		<p>1VCVY00068A01 (a) 810 mm (31.9 in.) (b) 750 mm (29.5 in.)</p>

Tire	Models	Tread
9.5-16 Farm	B2401DT B2401DTWO	<p>1VCVY00069A01 (a) 900 mm (35.4 in.)</p>
33 ×12.5-15 Turf		<p>1VCVY00070A01 (a) 950 mm (37.4 in.)</p>
31 ×15.5-15 Bar		<p>1VCVY00071A01 (a) 950 mm (37.4 in.)</p>
12 ×16.5 Ind. 12-16.5 R14		<p>1VCVY00072A01 (a) 950 mm (37.4 in.)</p>

IMPORTANT :

- If not attached as illustrated, transmission parts may be damaged.
- When re-fitting or adjusting a wheel, tighten the bolts to the following torques then recheck after

driving the tractor 200 m (200 yards) and 10 times of shuttle movement by 5 m (5 yards), and thereafter according to service interval. (See SERVICE INTERVALS on page 57)

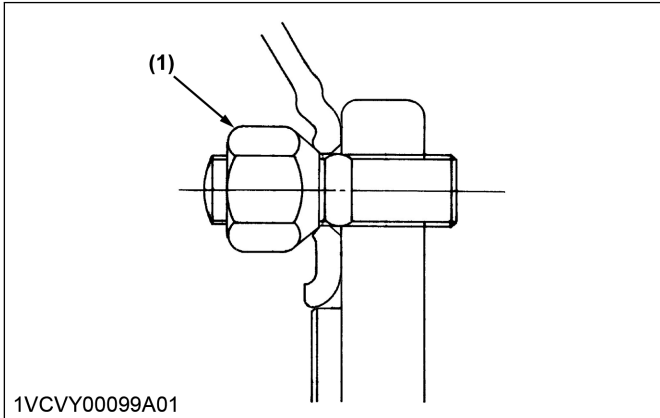


(1) Bolt

Tightening torque	Bolt (1)	145 N·m to 150 N·m (14.8 kgf·m to 15.3 kgf·m) [107.0 lbf·ft to 110.6 lbf·ft]
-------------------	----------	--

[Wheels with beveled or tapered holes]

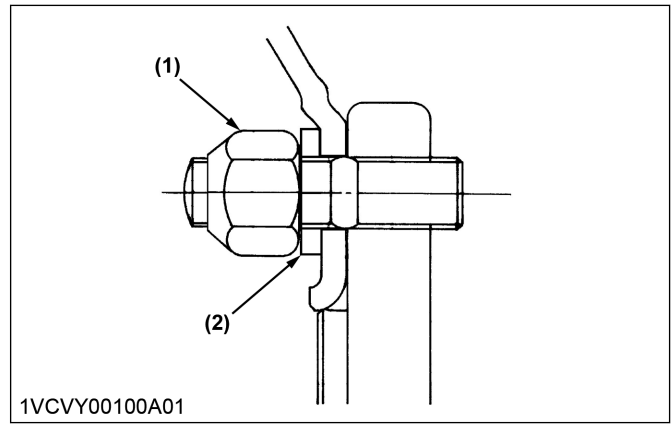
- Use the tapered side of lug nut.



(1) Lug nut

[Wheels without beveled or tapered holes]

- Use the flat side of the lug nut. Make sure to apply the spring washer.



(1) Lug nut

(2) Spring washer

BALLAST

! WARNING

To avoid personal injury or death:

- Additional ballast will be needed for transporting heavy implements. When the implement is raised, drive slowly over rough ground, regardless of how much ballast is used.
- Do not fill the front wheels with liquid.

1. Front ballast

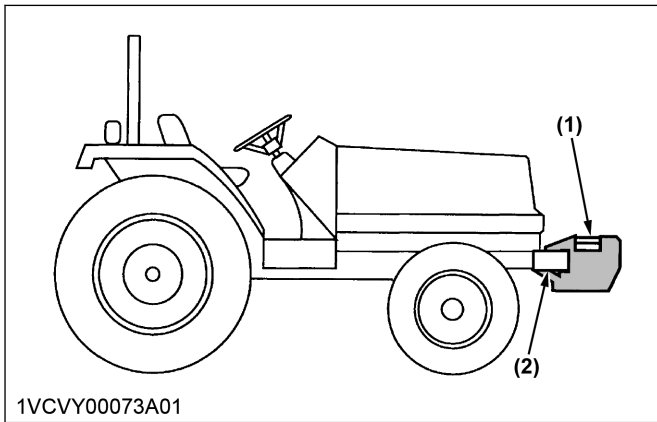
Add weights if needed for stability and improving traction. Heavy pulling and heavy rear mounted implements tend to lift front wheels. Add enough ballast to maintain steering control and prevent tip over. Remove weight when no longer needed.

1.1 Front end weights (option)

The front end weights can be attached to the bumper. See your implement operator's manual for required number of weights or consult your local KUBOTA Dealer to use.

NOTE :

- Besides the weight, a mounting kit is also required.



1VCVY00073A01
 (1) Front end weights (2) Front weight bracket (option)

IMPORTANT :

- Do not overload tires.
- Add no more weight than indicated in chart.

Maximum weight	20 kg × 3 pieces (130 lbs.)
----------------	-----------------------------

2. Rear ballast

Add weight to rear wheels if needed to improve traction or for stability. The amount of rear ballast should be matched to job and the ballast should be removed when it is not needed.

The weight should be added to the tractor in the form of liquid ballast.

2.1 Liquid ballast in rear tires

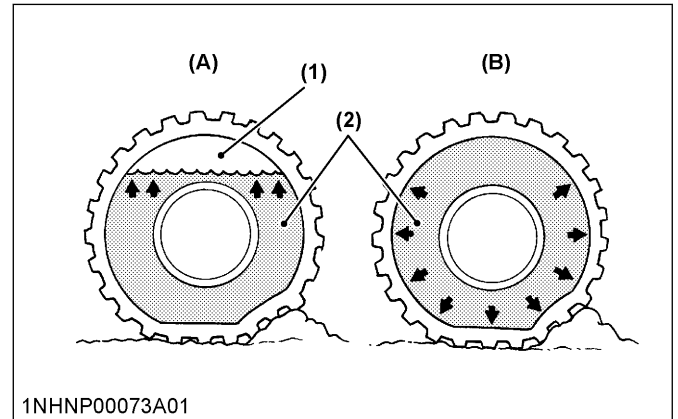
Water and calcium chloride solution provides safe economical ballast. Used properly, it will not damage tires, tubes or rims. The addition of calcium chloride is recommended to prevent the water from freezing. Use of this method of weighting the wheels has the full approval of the tire companies. See your tire dealer for this service.

Tire sizes	8-16	9.5-16
Slush free at -10 °C (14 °F) Solid at -30 °C (-22 °F) [Approx. 1 kg (2 lbs.) CaCl ₂ per 4 L (1 gal.) of water]	35 kg (77 lbs.)	54 kg (119 lbs.)
Slush free at -24 °C (-11 °F) Solid at -47 °C (-52 °F) [Approx. 1.5 kg (3.5 lbs.) CaCl ₂ per 4 L (1 gal.) of water]	37 kg (82 lbs.)	57 kg (126 lbs.)
Slush free at -47 °C (-52 °F) Solid at -52 °C (-62 °F) [Approx. 2.25 kg (5 lbs.) CaCl ₂ per 4 L (1 gal.) of water]	39 kg (86 lbs.)	60 kg (132 lbs.)

Liquid weight per tire (75 Percent filled)

IMPORTANT :

- Do not fill tires with water or solution more than 75% of full capacity (to the level of valve stem at 12 o'clock position).



1NHNP00073A01

- (1) Air (A) Correct
 (2) Water (B) Incorrect

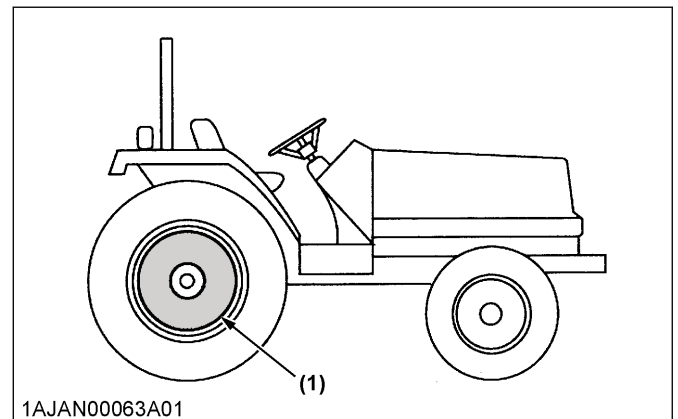
	Correct (A)	Incorrect (B)
Amount of water	75% of full capacity of tire	100% of full capacity of tire
Characteristic	Air compresses like a cushion	Water can not be compressed

2.2 Rear wheel weights (option) [B2401DTN only]

Add weight to rear wheels if needed to improve traction or for stability. The amount of rear ballast should be matched to job and the ballast should be removed when it is not needed.

The weight should be added to the tractor in the form of liquid ballast, rear wheel weight, or a combination of both for B2401 narrow tractors only.

The rear wheel weights can be attached to the rear wheels for increased stability.



1AJAN00063A01

- (1) Rear wheel weights

IMPORTANT :

- Do not overload tires.

- Add no more weight than indicated in chart.

Maximum weight per wheel	32 kg × 1 piece (71 lbs.)
--------------------------	---------------------------

MAINTENANCE

SERVICE INTERVALS

No.	Items		Indication on hour meter													Since then	Ref. page				
			50	100	150	200	250	300	350	400	450	500	550	600	650					700	
1	Engine oil	Change	⊙			○					○				○			Every 200 Hr	74		
2	Engine oil filter	Replace	⊙			○					○				○			Every 200 Hr	74		
3	Hydraulic oil filter	Replace									○							Every 400 Hr	75		
4	Transmission fluid	Change									○							Every 400 Hr	65		
5	Front axle case oil	Change									○							Every 400 Hr	76		
6	Front axle pivot	Adjust									○							Every 400 Hr	75		
7	Engine start system	Check	○	○	○	○	○	○	○	○	○	○	○	○	○	○	○	Every 50 Hr	68		
8	Greasing	—	○	○	○	○	○	○	○	○	○	○	○	○	○	○	○	Every 50 Hr	67		
9	Dust covers (tie-rod, drag-link)	Check	○	○	○	○	○	○	○	○	○	○	○	○	○	○	○	Every 50 Hr	69		
10	Wheel bolt torque	Check	○	○	○	○	○	○	○	○	○	○	○	○	○	○	○	Every 50 Hr	69		
11	Battery condition	Check		○		○		○		○		○		○		○		Every 100 Hr	70	*1	
12	Air cleaner element	Primary element	Clean		○		○		○		○		○		○		○	Every 100 Hr	71	*2	@
		Replace																Every 1000 Hr or 1 year	77	*3	
		Secondary element	Replace																Every 1000 Hr or 1 year	77	
13	Fuel filter element	Check		○		○		○		○		○		○		○		Every 100 Hr	72		@
		Replace								○								Every 400 Hr	76		
14	Fan belt	Adjust		○		○		○		○		○		○		○		Every 100 Hr	73		
15	Clutch	Adjust	⊙	○		○		○		○		○		○		○		Every 100 Hr	73		
16	Brake	Adjust		○		○		○		○		○		○		○		Every 100 Hr	73		
17	Engine valve clearance	Adjust																Every 800 Hr	77	*6	
18	Fuel injection nozzle Injection pressure	Check																Every 1500 Hr	78	*6	@
19	Cooling system	Flush																Every 2000 Hr or 2 year	78	*4	
20	Coolant	Change																Every 2000 Hr or 2 year	78	*4	
21	Injection pump	Check																Every 3000 Hr	79	*6	@
22	Radiator hose and clamp	Check																Every 1 year	79	*5	
		Replace																Every 4 year	80	*5	
23	Fuel line	Check																Every 1 year	80	*5	@
		Replace																Every 4 year	81	*6 *5	
24	Intake air line	Check																Every 1 year	79	*5	@
		Replace																Every 4 year	80	*6 *5	
25	Fuel system	Bleed																Service as required	80		
26	Clutch housing water	Drain																	80		
27	Fuse	Replace																	81		
28	Light bulb	Replace																	81		

(Continued)

MAINTENANCE

No.	Items		Indication on hour meter													Since then	Ref. page					
			50	100	150	200	250	300	350	400	450	500	550	600	650					700		
29	Radiator hose and clamp	Replace																	Service as re- quired	81	*5	
30	Fuel line	Replace																		81	*5	
31	Intake air line	Replace																		81	*5	

IMPORTANT :

- The jobs indicated by © must be done after the first 50 hours of operation.
- The items which is @ marked are registered as emission related critical parts by KUBOTA in the U.S.EPA nonroad emission regulation. As the engine owner, you are responsible for the performance of the required maintenance on the engine according to the above instruction.
Please see Warranty Statement in detail.
- When using biodiesel, be sure to check the maintenance requirements of biodiesel fuel as the intervals will change in some of the items.

*1 When the battery is used for less than 100 hours per year, check the fluid level annually.

*2 Air cleaner should be cleaned more often in server dusty conditions.

*3 Replace in 1,000 hours or 1 year, whichever comes faster.

*4 Replace in 2,000 hours or 2 years, whichever comes faster.

*5 Replace if any deterioration (crack, hardening, scar or deformation) or damage occurred. However, must be replaced every 4 years regardless of the condition.

*6 Consult your local KUBOTA Dealer for this service.

LUBRICANTS, FUEL AND COOLANT

No.	Locations	Capacities			Lubricants	
		B2401DTN	B2401DT	B2401DTWO		
1	Fuel	23 L (6.1 U.S.gals.)			No. 2-D diesel fuel No. 1-D diesel fuel if temperature is below -10 °C (14 °F)	
2	Coolant (with recovery tank)	3.9 L (1.0 U.S.gals.)			Fresh clean soft water with coolant and antifreeze	
3	Engine crankcase (with filter)	3.1 L (0.8 U.S.gals.)			<ul style="list-style-type: none"> For the engine oil, see the following <i>Engine oil</i>. 	
					Above 25 °C (77 °F)	SAE30, SAE10W-30 or 15W-40
					-10 °C to 25 °C (14 °F to 77 °F)	SAE20, SAE10W-30, or 15W-40
					Below -10 °C (14 °F)	SAE10W-30
4	Transmission case	12.5 L (3.3 U.S.gals.)			<ul style="list-style-type: none"> KUBOTA SUPER UDT-2 fluid 	
5	Front axle case	3.0 L (0.8 U.S.gals.)	3.2 L (0.9 U.S.gals.)		<ul style="list-style-type: none"> KUBOTA SUPER UDT-2 fluid or SAE 80-SAE 90 gear oil 	
6	Greasing	No. of greasing points			Capacity	Type of grease
	Brake pedal	1			Until grease overflow.	Multipurpose Grease NLGI-2 OR NLGI-1 (GC-LB)
	Brake pedal shaft	1				
	Clutch pedal	1				
	Top link	1				
	Lift arm	2				
	Lifting rod (RH)	1				
	Universal joint	1				
	Range gear shift lever	1				
	Battery terminal	2			Moderate amount	
	Lift arm ball joint	2				
	Lower link ball joint	2				

NOTE :

- The product name of KUBOTA genuine UDT fluid may be different from that in the Operator's Manual depending on countries or territories. Consult your KUBOTA Dealer for further details.

Engine oil

- Oil used in the engine should have an American Petroleum Institute (API) service classification and Proper SAE Engine Oil according to the ambient temperatures as shown in the preceding lubricants, fuel and coolant.
- Refer to the following table for the suitable API classification engine oil according to the engine type (with internal EGR, external EGR or non-EGR) and the fuel.

Fuel used	Engine oil classification (API classification)	
	Oil class of engines except external EGR *	Oil class of engines with external EGR *
Ultra low sulfur fuel <0.0015% (15 ppm)	CF, CF-4, CG-4, CH-4 or CI-4	CF or CI-4 (Class CF-4, CG-4 and CH-4 engine oils cannot be used on EGR type engines.)

* EGR: Exhaust gas re-circulation

- The CJ-4 engine oil is intended for DPF (diesel particulate filter) type engines, and cannot be used on this tractor.

	Except external EGR	With external EGR
Models	B2401DT / B2401DTWO / B2401DTN	—

Fuel

- Cetane number of 45 is minimum. Cetane number greater than 50 is preferred, especially for temperatures below -20 °C (-4 °F) or elevations above 1500 m (5000 ft).
- Diesel fuels specified to EN 590 or ASTM D975 are recommended.

- No.2-D is a distillate fuel of lower volatility for engines in industrial and heavy mobile service (SAE J313 JUN87).

Transmission oil

- KUBOTA Super UDT-2:
For an enhanced ownership experience, we highly recommend Super UDT-2 to be used instead of standard hydraulic/transmission fluid.
Super UDT-2 is a proprietary KUBOTA formulation that delivers superior performance and protection in all operating conditions.
Regular UDT is also permitted for use in this machine.
- Indicated capacities of water and oil are manufacturer's estimate.

1. Biodiesel fuel (BDF)

B0-B20 Biodiesel fuels (BDF): mixed diesel fuels containing 20% or less biodiesel can be utilized under the following conditions.

IMPORTANT :

- **Refueling and handling fuel should be done with caution in order to avoid contact with the fuel and spillage that could create a potential environmental or fire hazard. Wear appropriate protective equipment when refueling.**

Applicable BDF:

1. Blended diesel fuels containing 6% thru 20% BDF (B6 - B20) which comply with American Society for Testing and Materials (ASTM) D7467 Standard, as revised, can be used without adversely affecting the performance and durability of the engine and fuel system components.
2. Any mineral oil diesel fuel, if used, must conform to ASTM D975 (or the European EN590) Standard, as revised. B100 fuel used to make Biodiesel blended fuels must meet ASTM D6751 (or EN14214) Standard, as revised. The final blended fuel B20 must conform to ASTM D7467 Standard, as revised. Straight vegetable oil is NOT allowed in any blended fuel.
3. Allowable blended fuel is mineral oil diesel fuel blended with B100 (i.e. 100% BDF). The blended fuel ratio shall be less than 20% B100 and 80% or more diesel fuel. The B100 source used for Biodiesel blends must be purchased from an accredited BQ-9000 marketer or producer. More information about qualified marketer(s) and producer(s) can be found at <http://www.bq-9000.org>.

Preparation:

1. Before using BDF concentrations greater than B5, you are advised to replace the engine oil, engine oil filter and fuel filter with new oil and filters. For replacement procedures, refer to the "*PERIODIC SERVICE*" section.

Product Warranty, Emission and Other Precautions:

1. The engine emission control system was certified according to current regulations based on the use of non-BDF. When using BDF, the owner is advised to check applicable local and federal emission regulations and comply with all of them.
2. BDF may cause restricted or clogged fuel filters during cold weather conditions, resulting in the engine not operating properly.
3. BDF encourages the growth of microorganisms which may cause degradation of the fuel. This in turn may cause fuel line corrosion or reduce fuel filter flow earlier than expected.
4. BDF inherently absorbs moisture which may cause degradation of the fuel earlier than expected. To

avoid this, drain the water separator and fuel filter port often.

5. Do not use Biodiesel concentrations higher than 20% (i.e. greater than B20). Engine performance and fuel consumption will be affected, and degradation of the fuel system components may occur.
6. Do not readjust the engine fuel control system as this will violate emission control levels for which the equipment was approved.
7. Compared with soybean-based and rapeseed-based feedstock, palm oil-based feedstock has a thicker consistency (i.e. higher viscosity) at lower temperatures. Consequently, fuel filter performance may be reduced, particularly during cold weather conditions.
8. The Kubota Warranty, as specified in the Owner's Warranty Information Guide, only covers problems in product materials and workmanship. Accordingly, any problems that may arise due to the use of poor quality fuels that fail to meet the above requirements, whether biodiesel or mineral oil based, are not covered by the Kubota Warranty.

Routine handling:

1. Avoid spilling BDF onto painted surfaces as this may damage the finish. If fuel is spilled immediately wipe clean and flush with soapy water to avoid permanent damage.
2. When using BDF, you are advised to maintain a full tank of fuel, especially overnight and during short term storage, to reduce condensation within the tank. Be sure to tighten the fuel cap after refueling to prevent moisture build up within the tank. Water in the Biodiesel mixture will damage fuel filters and may damage engine components.

Maintenance Requirements when using BDF B0 thru B5:

Follow the oil change intervals recommended by referring to the "*MAINTENANCE*" section. Extended oil change intervals may result in premature wear or engine damage.

Maintenance Requirements when using BDF B6 thru B20:

The maintenance interval for fuel related parts changes.

See the table below for the new maintenance interval.

Items		Interval	Remarks
Fuel filter	Replace	Every 200 hr	
Fuel line	Check	Every 6 months	Replace if any deterioration (crack, hardening, scar, or deformation) or damage occurred.

(Continued)

Items		Interval	Remarks
Fuel line	Replace	Every 2 years	Consult your local KUBOTA Dealer for this service.

Long Term Storage:

1. BDF easily deteriorates due to oxygen, water, heat and foreign substances. Do not store B6 thru B20 longer than 1 month and B5 longer than 3 months.
2. When using B6 thru B20 and storing the machine longer than 1 month, drain the fuel from the tanks and replace with light mineral oil diesel fuel. Subsequently, run the engine at least 30 minutes to remove all of the Biodiesel from the fuel lines.
3. When using B5 fuel and storing machine longer than 3 months, drain the fuel from the tanks and replace with light mineral oil diesel fuel. Subsequently, run the engine at least 30 minutes to remove all of the Biodiesel from the fuel lines.

PERIODIC SERVICE

WARNING

To avoid personal injury or death:

- Do not work under any hydraulically supported devices. They can settle, suddenly leak down, or be accidentally lowered. If necessary to work under tractor or any machine elements for servicing or adjustment, securely support them with stands or suitable blocking beforehand.

HOW TO OPEN THE HOOD

WARNING

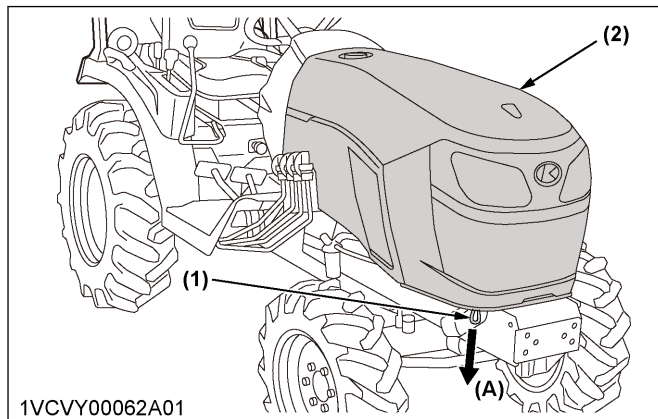
To avoid personal injury or death from contact with moving parts:

- Never open the hood or engine side cover while the engine is running.
- Do not touch muffler or exhaust pipes while they are hot. Severe burns could result.
- Hold the hood with other hand while unlocking release lever.

1. Hood

1.1 Open the hood

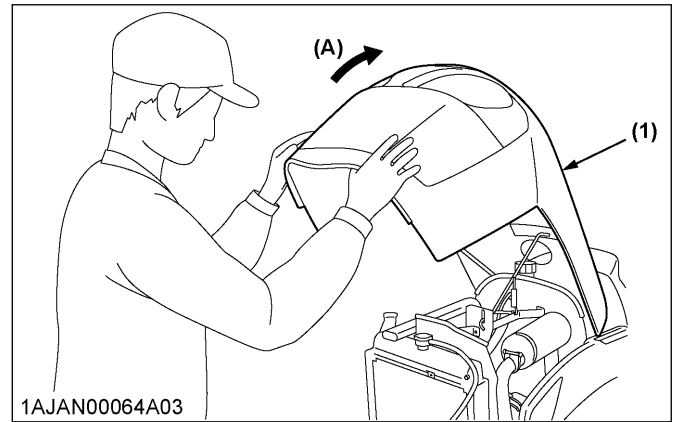
1. To open the hood, pull the release lever.



1VCVY00062A01

- (1) Release lever (A) Pull
 (2) Hood

2. Open the hood by holding its bottom with both hands.

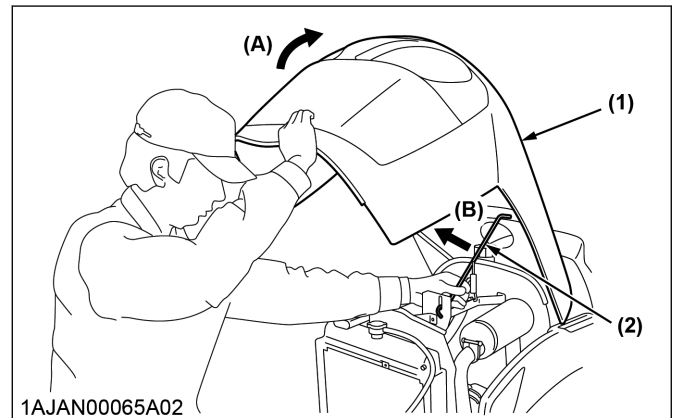


1AJAN00064A03

- (1) Hood (A) Open

1.2 Close the hood

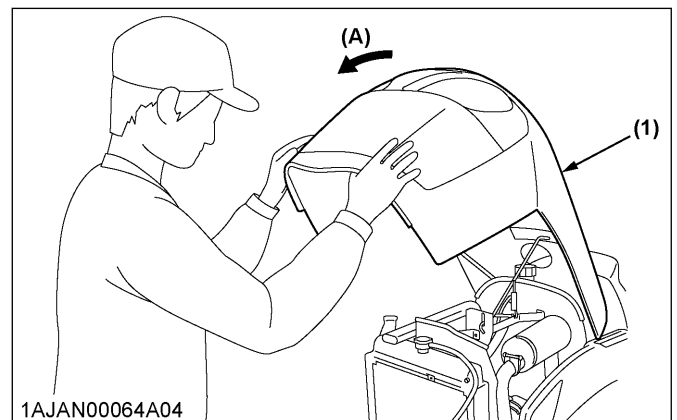
1. To close the hood, hold the hood and release the support rod.



1AJAN00065A02

- (1) Hood (A) Hold
 (2) Support rod (B) Pull

2. In closing the hood, use both hands again.

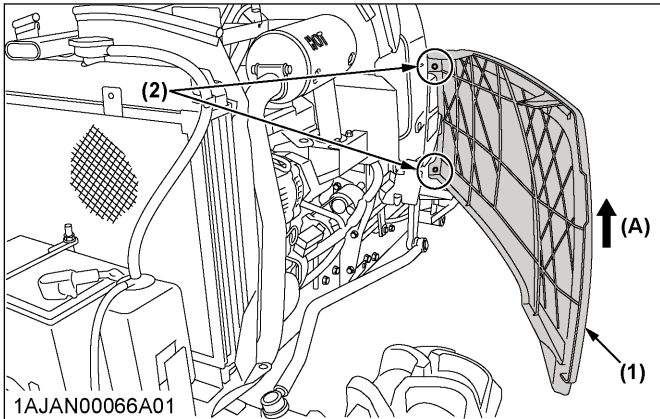


1AJAN00064A04

- (1) Hood (A) Close

2. Engine side cover

1. Lift up the front of the engine side cover and free the upper and lower projections.
2. Pull the engine side cover forward and free the rear notches. Now the side cover can be detached.



(1) Engine side cover (A) Lift up to remove
(2) Notch

DAILY CHECK

For your own safety and maximum service life of the machine, make a thorough daily inspection before operating the machine to start the engine.

WARNING

To avoid personal injury or death:
Take the following precautions when checking the tractor.

- Park the machine on firm and level ground.
- Set the parking brake.
- Lower the implement to the ground.
- All residual pressure of the hydraulic system released.
- Stop the engine and remove the key.

1. Walk around inspection

Look around and under the tractor for such items as loose bolts, trash build-up, oil or coolant leaks, or broken or worn parts.

2. Checking and refueling

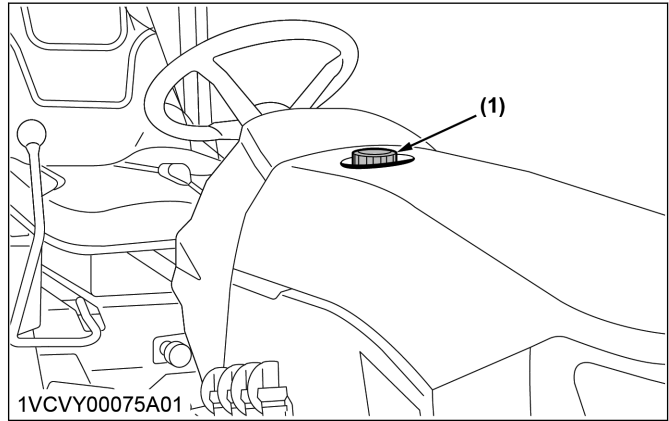
WARNING

To avoid personal injury or death:

- Do not smoke while refueling.
- Be sure to stop the engine before refueling.
- Never use fire.
- Be sure to close the fuel tank cap after refueling.

- For refueling, avoid parking the tractor in any place with straws, weeds and other flammable things below and around.

1. Turn the key switch to “ON”, check the amount of fuel by fuel gauge.
2. Fill fuel tank when fuel gauge shows 1/4 or less fuel in tank.
3. Use grade No.2-Diesel fuel at temperatures above -10 °C (14 °F).
Use grade No.1-Diesel fuel at temperatures below -10 °C (14 °F).
4. After refueling, close the fuel tank cap tight enough.



(1) Fuel tank cap

Fuel tank capacity	23 L (6.1 U.S.gals.)
--------------------	----------------------

IMPORTANT :

- Do not permit dirt or trash to get into the fuel system.
- Be careful not to let the fuel tank become empty, otherwise air will enter the fuel system, necessitating bleeding before next engine start.
- Be careful not to spill during refueling. If should spill, wipe it off at once, or it may cause a fire.
- To prevent condensation (water) accumulation in the fuel tank, fill the tank before parking overnight.
- Check to see if the fuel tank cap is tight enough.
- Before refueling, make sure there is no flames around and remove static electricity.

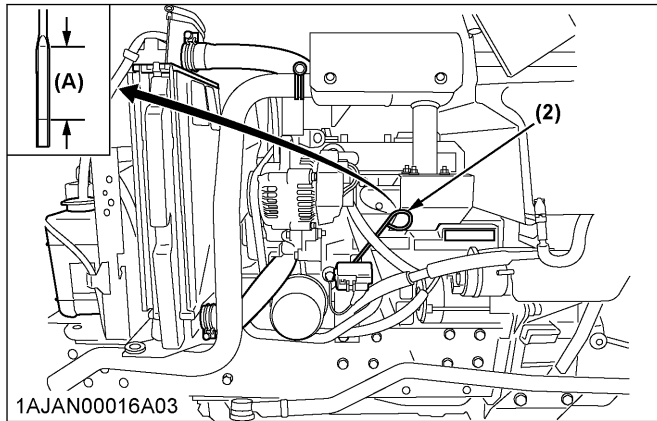
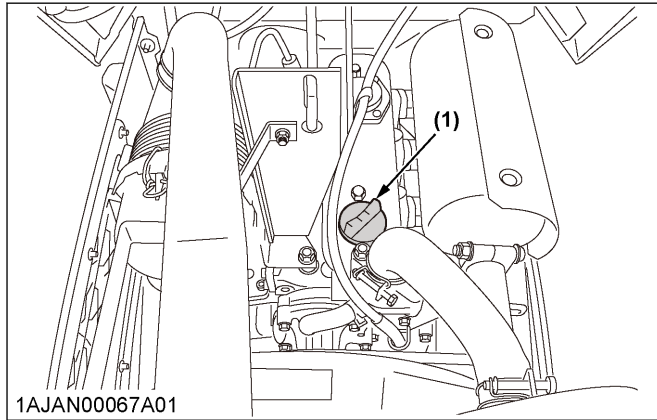
3. Checking engine oil level

WARNING

To avoid personal injury or death:

- Be sure to stop the engine before checking the oil level.

1. Park the machine on a flat surface.
2. Check engine oil before starting the engine or 5 minutes or more after the engine has stopped.
3. To check the oil level, draw out the dipstick, wipe it clean, replace it, and draw it out again. Check to see that the oil level lies between the 2 notches. If the level is too low, add new oil to the prescribed level at the oil inlet.
(See LUBRICANTS, FUEL AND COOLANT on page 59)



- (1) Oil inlet
(2) Dipstick
(A) Range which engine oil level is acceptable within

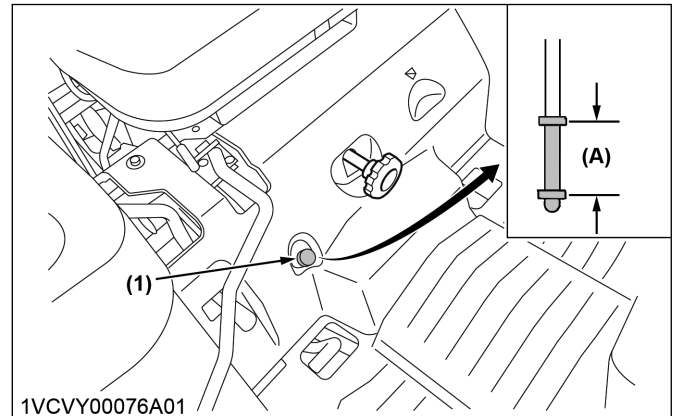
NOTE :

- When using an oil of different maker or viscosity from the previous one, remove all of the old oil and oil filter. Never mix 2 different types of oil.
- If oil level is low, do not run engine.
- In adding engine oil, use a funnel or the like, which could prevent the oil from getting splashed on hot spots.

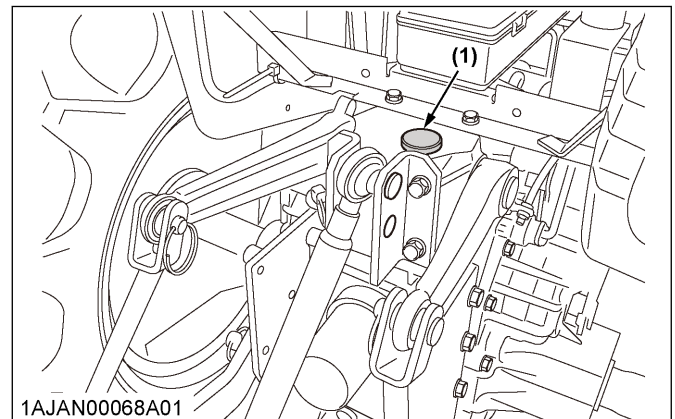
4. Checking transmission fluid level

1. Park the machine on a flat surface, lower the implement and shut off engine.
2. To check the oil level, draw out the dipstick, wipe it clean, replace it, and draw it out again. Check to see that the oil level lies between the 2 notches.

If the level is too low, add new oil to the prescribed level at the oil inlet.
(See LUBRICANTS, FUEL AND COOLANT on page 59)



- (1) Dipstick
(A) Range which engine oil level is acceptable within



- (1) Oil inlet

IMPORTANT :

- If oil level is low, do not run engine.

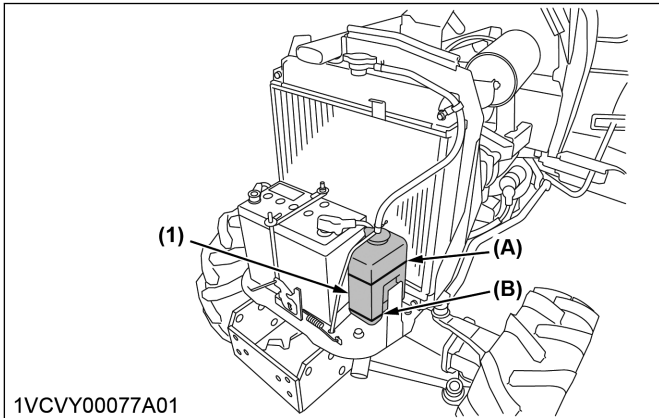
5. Checking coolant level**⚠ WARNING**

To avoid personal injury or death:

- Do not remove radiator cap while coolant is hot. When cool, slowly rotate cap to the first stop and allow sufficient time for excess pressure to escape before removing the cap completely.

1. Check to see that the coolant level is between the "FULL" and "LOW" marks of recovery tank.

- When the coolant level drops due to evaporation, add soft water only up to the full level. In case of leakage, add antifreeze and soft water in the specified mixing ratio up to the full level. (See Flushing cooling system and changing coolant on page 78)



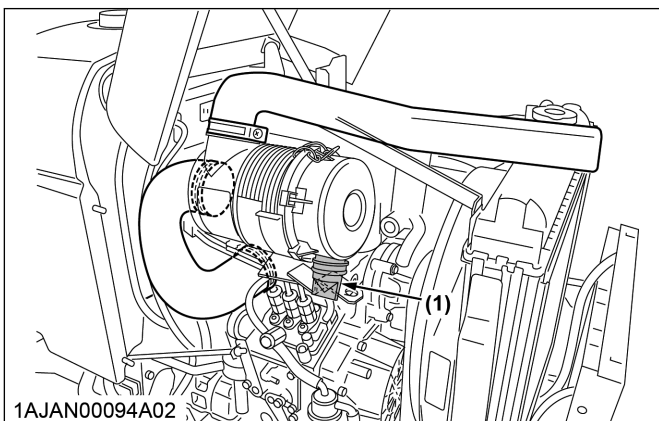
(1) Recovery tank (A) Full (B) Low

IMPORTANT :

- If the radiator cap has to be removed, follow the preceding caution and securely retighten the cap.
- Use clean, fresh soft water and antifreeze to fill the recovery tank.
- If coolant should leak, consult your local KUBOTA Dealer.

6. Cleaning evacuator valve

- Open the evacuator valve to get rid of large particles of dust and dirt.



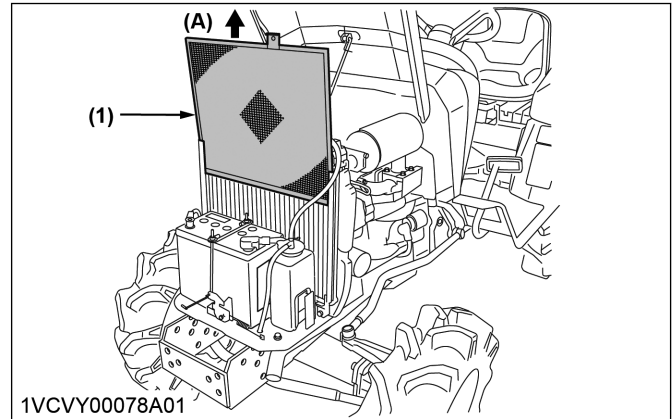
(1) Evacuator valve

7. Cleaning grill and radiator screen

WARNING
To avoid personal injury or death:

Be sure to stop the engine and remove the key before removing the screen.

- Check front grill and side screens to be sure they are clean of debris.
- Detach the screen and remove all foreign materials and clean the front of radiator completely.



(1) Recovery tank (A) Detach

IMPORTANT :

- Grill and screen must be clean from debris to prevent engine from overheating and to allow good air intake for the air cleaner.

8. Checking brake pedals and clutch pedal

- Inspect the brake and clutch pedals for free travel, and smooth operation.
- Adjust if incorrect measurement is found. (See Adjusting clutch pedal on page 73)

NOTE :

- Brake pedals should be equal when depressed.

9. Checking the gauges, meter, and Easy Checker

- Inspect the instrument panel for the broken gauge(s), meter(s), and Easy Checker.
- Replace the instrument panel if broken.

10. Checking the head light, hazard light, and so on

- Inspect the lights for broken bulbs and lenses.
- Replace the lights if broken.

11. Checking and cleaning of electrical wiring and battery cables

⚠ WARNING

To avoid personal injury or death:

- A loosened terminal or connector, or damaged wire may affect the performance of electrical components or cause short circuits. Leakage of electricity could result in a fire hazard, a dead battery or damage to electrical components.
- Replace damaged wires or connections promptly.
- If a fuse blows soon after replacement, do not use a larger than recommended fuse or bypass the fuse system.
- Many wiring connections are protected by waterproof plugs, plug and unplug these connections carefully and make sure they are sealed correctly after assembly.
- Accumulation of dust, chaff and spilled fuel deposits around the battery, electrical wiring, engine or exhaust system may cause fire hazards.
Clean these areas before starting work.
- To avoid premature electrical malfunctions, do not apply high pressure water directly to battery, wiring, connectors, electrical components or instrument panel.

Inspect the following regularly:

1. Check wiring for chafed or cracked insulation.
2. Check wiring harness clamps. Replace if necessary.
3. Check connectors and terminals for looseness, contamination or overheated (discolored) connections.
4. Check instrument panel for correct operation of switches and gauges.
Consult your KUBOTA Dealer regarding maintenance, diagnosis and repair.

12. Checking seat belt and ROPS

1. Always check condition of seat belt and ROPS attaching hardware before operating tractor.
2. Replace if damaged.

13. Checking movable parts

If any of the movable parts, such as levers and pedals, is not smoothly moved because of rust or sticky material.

Remove the rust or the sticky material, and apply oil or grease on the relevant spot.

Do not force the movable parts in motion.

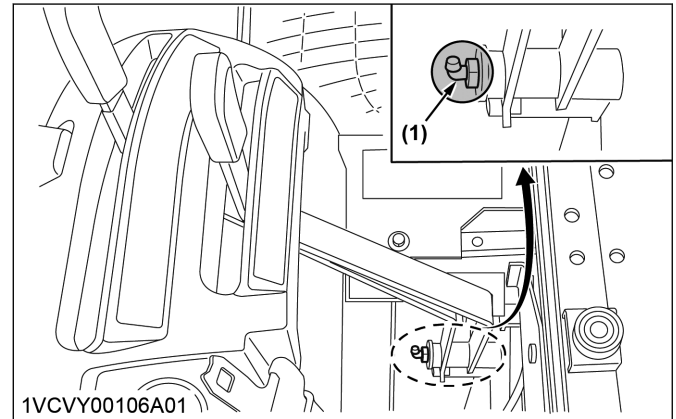
Otherwise, the machine may get damaged.

EVERY 50 HOURS

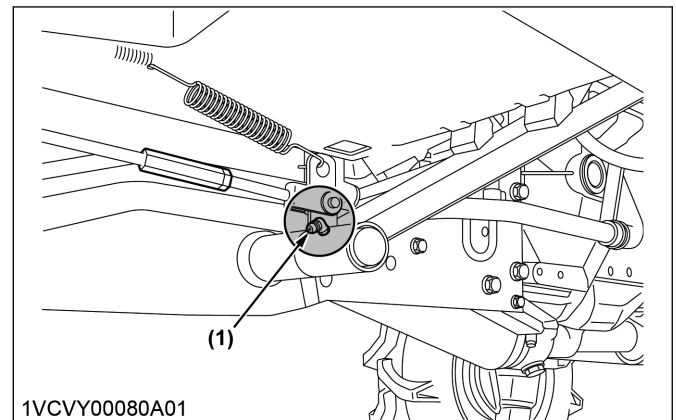
1. Lubricating grease fittings

Apply a small amount of multipurpose grease to the following points every 50 hours.

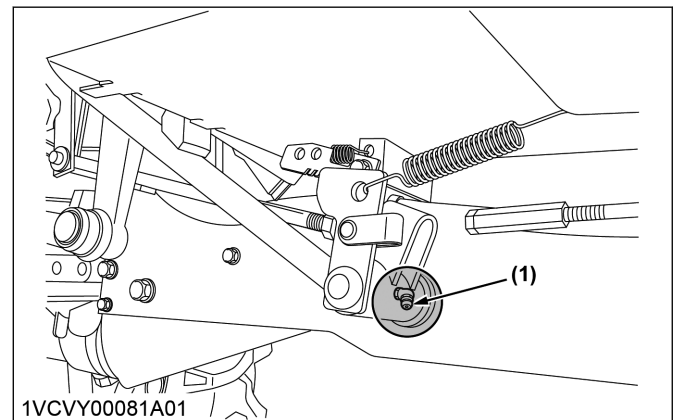
If you operated the machine in extremely wet and muddy conditions, lubricate grease fittings more often.



(1) Grease fitting (range gear shift lever)

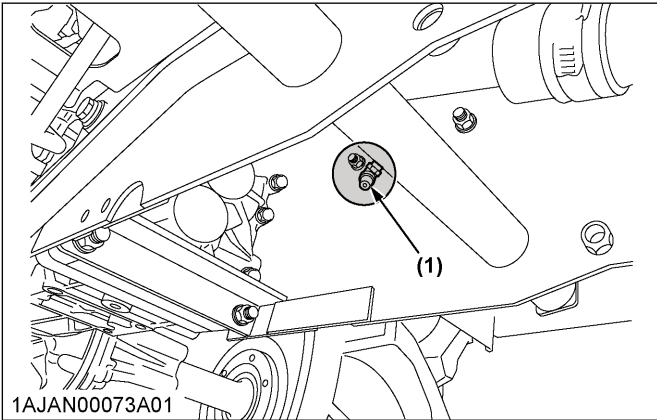


(1) Grease fitting (brake pedal)



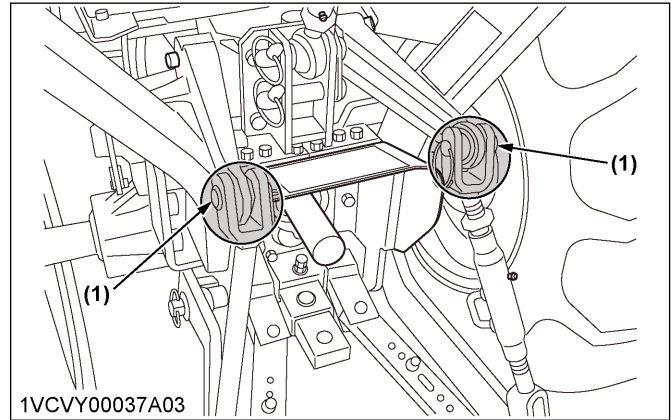
(1) Grease fitting (clutch pedal)

[B2401DTN only]



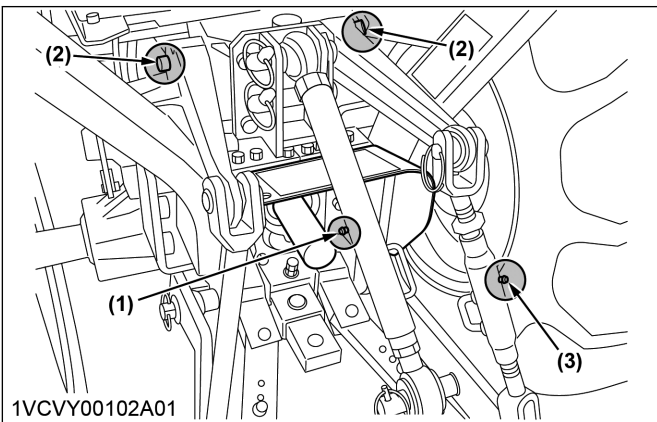
(1) Grease fitting (brake pedal shaft)

[All models]



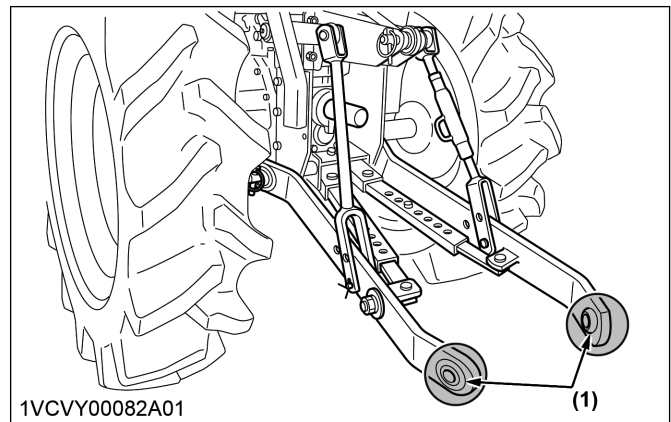
(1) Grease fitting (lift arm ball joint)

[All models]



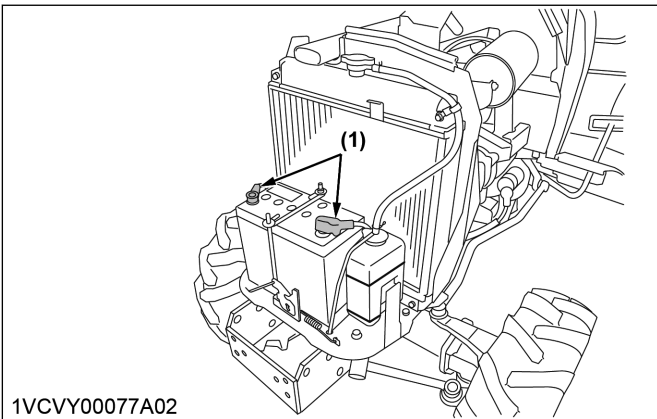
(1) Grease fitting (top link) (3) Grease fitting (lifting rod, right)
 (2) Grease fitting (lift arm)

[All models]



(1) Grease fitting (lower link ball joint)

[All models]



(1) Battery terminals

IMPORTANT :

- Grease up the ball joints and be sure to wipe off excess grease later.

2. Checking engine start system

! WARNING

To avoid personal injury or death:

- Do not allow anyone near the tractor while testing.
- If the tractor does not pass the test, do not operate the tractor.
- Detach an implement before testing.

Preparation before testing

1. Sit on operator's seat.
2. Set the parking brake and stop the engine.
3. Shift the main gear shift lever in "NEUTRAL" position.
4. Shift the PTO gear shift lever to "NEUTRAL" position.
5. Fully depress the clutch pedal.

Test: switch for the main gear shift lever

1. Fully depress the clutch pedal.
2. Shift the main gear shift lever to "Desired" position.
3. Turn the key to "START" position.
4. The engine must not crank.

Test: switch for the PTO gear shift lever

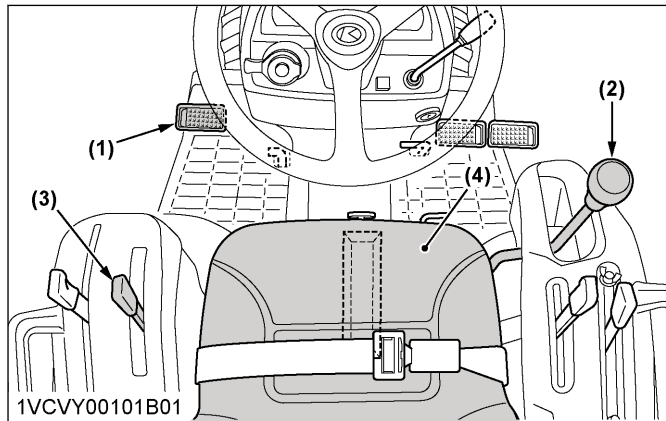
1. Fully depress the clutch pedal.
2. Shift the main gear shift lever to "NEUTRAL" position.
3. Shift the PTO gear shift lever to "ON" (engaged) position.
4. Turn the key to "START" position.
5. The engine must not crank.

Test: switches for the operator's seat and the PTO clutch lever

1. Sit on the operator's seat.
2. Start the engine.
3. Engage the PTO lever.
4. Stand up (do not get off the machine).
5. The engine must shut off after approximately 1 second (the buzzer sounds a warning).
6. If it does not stop, consult your local KUBOTA Dealer for this service.

NOTE :

- If the engine cranks during any of these tests, consult your local KUBOTA Dealer to have unit checked before operating.



(1) Clutch pedal (2) Main gear shift lever
(3) PTO gear shift lever (4) Operator's seat

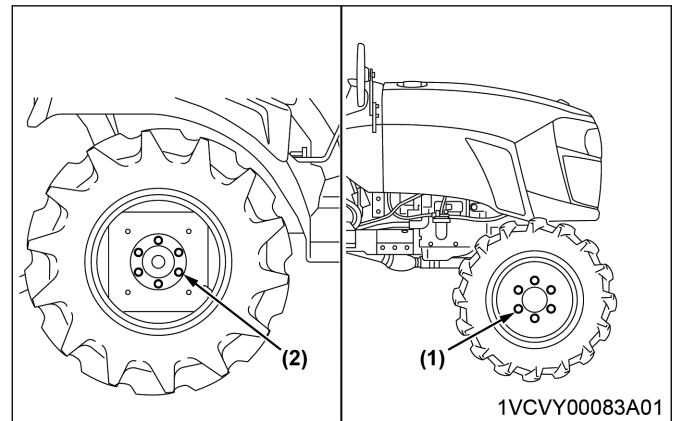
3. Checking wheel bolt torque

! WARNING

To avoid personal injury or death:

- Never operate tractor with a loose rim, wheel, or axle.
- Any time bolts and nuts are loosened, retighten to specified torque.
- Check all bolts and nuts frequently and keep them tight.

1. Check wheel bolts and nuts regularly especially when new.
2. If they are loose, tighten them as follows.

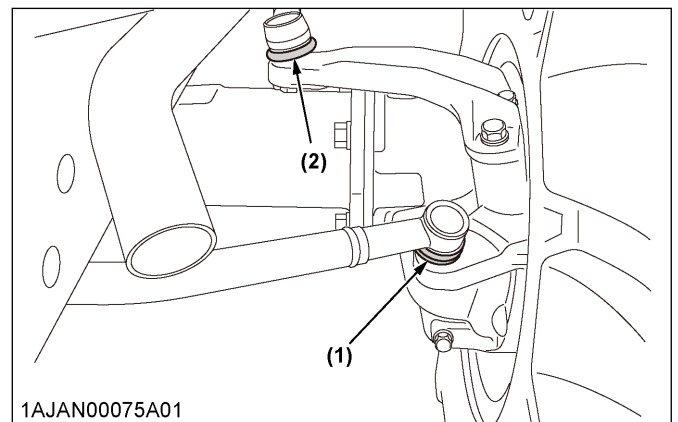


(1) Bolt (front wheel) (2) Bolt (rear wheel)

Tightening torque	Bolt (front wheel) (1)	79 N·m to 92 N·m (8.1 kgf·m to 9.4 kgf·m) [58.3 lbf·ft to 67.9 lbf·ft]
	Bolt (rear wheel) (2)	145 N·m to 150 N·m (14.8 kgf·m to 15.3 kgf·m) [107.0 lbf·ft to 110.6 lbf·ft]

4. Checking dust covers (tie-rod, drag-link)

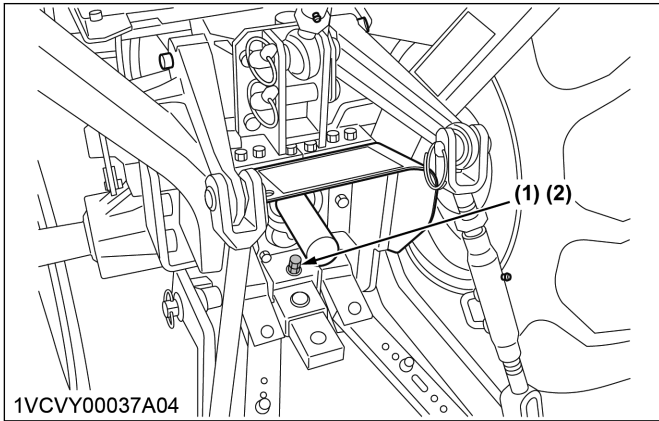
1. Check to see that dust covers are not damaged.
2. If dust covers are damaged, replace them at once.



(1) Dust covers (tie-rod: both sides) (2) Dust covers (drag-link: both sides)

5. Checking lower link set bolt

1. Make sure the lower link set bolt is tight enough.



(1) Set bolt

(2) Lock nut

Tightening torque	Set bolt (1)	15 N · m to 20 N · m (1.6 kgf · m to 2.1 kgf · m) [11.1 lbf · ft to 14.6 lbf · ft]
	Lock nut (2)	43 N · m to 47 N · m (4.4 kgf · m to 4.8 kgf · m) [31.7 lbf · ft to 34.7 lbf · ft]

EVERY 100 HOURS

1. Battery

DANGER

To avoid the possibility of battery explosion:
For the refillable type battery, follow the following instructions.

- Do not use or charge the refillable type battery if the fluid level is below the “**LOWER**” (lower limit level) mark. Otherwise, the battery component parts may prematurely deteriorate, which may shorten the battery’s service life or cause an explosion. Check the fluid level regularly and add distilled water as required so that the fluid level is between the “**UPPER**” and “**LOWER**” levels.

WARNING

To avoid personal injury or death:

- Keep electrolyte away from eyes, hands and clothes. If you are spattered with it, wash it away completely with water immediately and get medical attention.
- Wear eye protection and rubber gloves when working around the battery.
- Never remote the vent caps while the engine is running.

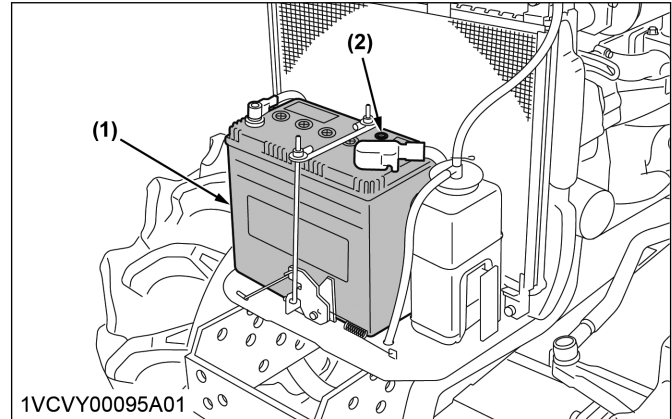
NOTE :

- The factory-installed battery is of non-refillable type. If the indicator turns white, do not charge the battery but replace it with new one.

Mishandling the battery shortens the service life and adds to maintenance costs.

The original battery is maintenance free, but needs some servicing.

If the battery is weak, the engine will be difficult to start and the lights will be dim. It is important to check the battery periodically.



(1) Battery

(2) Indicator

How to read the indicator

1. Check the battery condition by reading the indicator.

State of indicator display	
Green	Specific gravity of electrolyte and quality of electrolyte are both in good condition.
Orange	Add distilled water.
White	Needs charging battery.

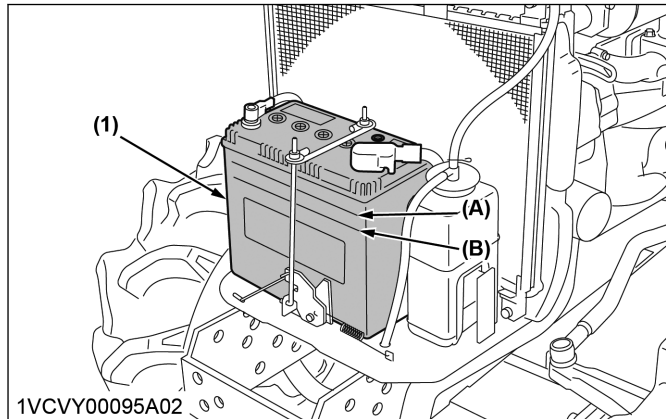
Battery charging

WARNING

To avoid personal injury or death:

- When the battery is being activated, hydrogen and oxygen gases in the battery are extremely explosive. Keep open sparks and flames away from the battery at all times, especially when charging the battery.
- When charging the battery, ensure the vent caps are securely in place (if equipped).
- When disconnecting the cable from the battery, start with the negative terminal first.
- When connecting the cable to the battery, start with the positive terminal first.
- Never check battery charge by placing a metal object across the posts.
Use a voltmeter or hydrometer.

1. Make sure each electrolyte level is to the bottom of vent wells, if necessary add distilled water in a wellventilated area.



(1) Battery

(A) Upper level
(B) Lower level

The water in the electrolyte evaporates during recharging. Liquid shortage damages the battery. Excessive liquid spills over and damages the tractor body.

To slow charge the battery, connect the battery positive terminal to the charger positive terminal and the negative to the negative, then recharge in the normal manner.

A boost charge is only for emergencies. It will partially charge the battery at a high rate and in a short time. When using a boost-charged battery, it is necessary to recharge the battery as early as possible.

Failure to do this will shorten the battery's service life.

When the specific gravity of electrolyte is between 1.27 and 1.29, the charging is completed.

2. When exchanging an old battery for a new one, use battery of equal specification shown in TABLE 1.

[TABLE 1]

Battery type	Volts (V)	Capacity at 5hr (Ah)	Re-serve capacity (min)	Cold Cranking Amps (A)	Normal Charging Rate (A)
55B24L (S)-MF	12	36	80	430	4.5

Battery storage

1. When storing the tractor for long periods of time, follow the following procedure.
 - a. Remove the battery from tractor.
 - b. Adjust the electrolyte to the proper level.
 - c. Store the battery in a dry place out of direct sunlight.
2. Recharge it once every 3 months in hot seasons and once every 6 months in cold seasons. The battery self-discharges while it is stored.

2. Cleaning air cleaner primary element

1. Remove the air cleaner cover and primary element.
2. Clean the primary element.
3. When dry dust adheres to the element, blow compressed air from the inside, turning the element. Pressure of compressed air must be under the following value.

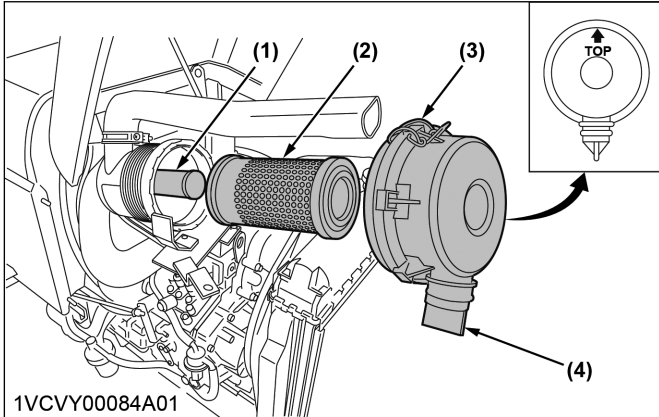
Pressure of compressed air	205 kPa (2.1 kgf/cm ²) [30 psi]
----------------------------	---

4. When carbon or oil adheres to the element.
 - a. Soak the element in detergent for 15 minutes.
 - b. Then wash it several times in water.
 - c. Rinse with clean water and dry it naturally.
 - d. After element is fully dried, inspect inside of the element with a light and check if it is damaged or not.

- Replace air cleaner primary element.
Be sure to perform once every 1000 hours or yearly, whichever comes first.

NOTE :

- Check to see if the evacuator valve is blocked with dust.



(1) Secondary (safety) element (4) Evacuator valve
(2) Primary element
(3) Cover

IMPORTANT :

- The air cleaner uses a dry element, never apply oil.
- Do not run the engine with filter element removed.
- Be sure to refit the cover with the arrow ↑ (on the rear of cover) upright. If the cover is improperly fitted, evacuator valve will not function and dust will adhere to the element.
- Do not touch the secondary element except in cases where replacing is required. (See Replacing air cleaner primary element and secondary element on page 77)

Evacuator valve

Open the evacuator valve once a week under ordinary conditions - or daily when used in a dusty place - to get rid of large particles of dust and dirt.

3. Cleaning fuel filter

⚠ WARNING

To avoid personal injury or death:

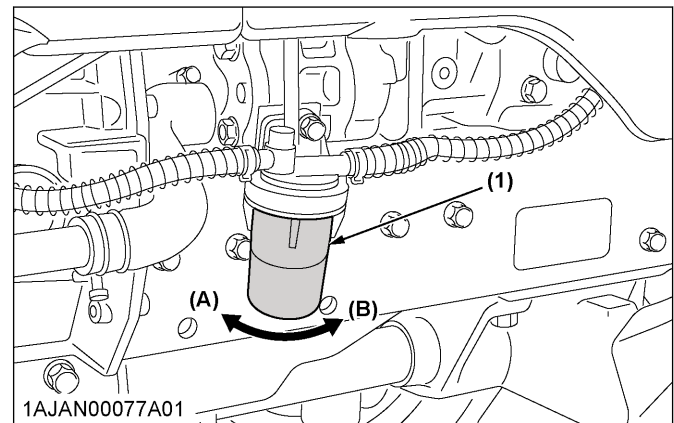
- Stop the engine and remove the key before checking fuel lines and fuel filter.
- Check the fuel lines periodically. The fuel lines are subject to wear and aging. Fuel may leak out onto the running engine, causing a fire.
- Protect your hands when using kerosene to clean components.

This job should not be done in the field, but in a clean place.

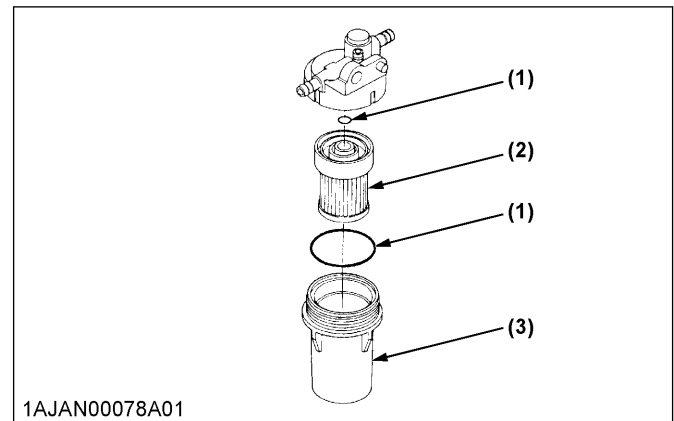
- Loosen and remove the filter bowl, and rinse the inside with kerosene.
- Take out the element and dip it in the kerosene to rinse.
- After cleaning, reassemble the fuel filter, keeping out dust and dirt.
- Bleed the fuel system.
(See Bleeding fuel system on page 80)

IMPORTANT :

- When the fuel filter bowl has been removed, fuel stops flowing from the fuel tank. If the fuel tank is almost full, however, the fuel will flow back from the fuel return pipe to the fuel filter. Before checking, make sure the fuel tank is less than half-full.



(1) Fuel filter bowl (A) Loosen (B) Tighten



(1) O ring (3) Filter bowl
(2) Filter element

IMPORTANT :

- If dust, dirt or water enters the fuel system, the fuel pump and injection nozzles are subject to premature wear. To prevent this, be sure to clean the fuel filter bowl and element periodically.

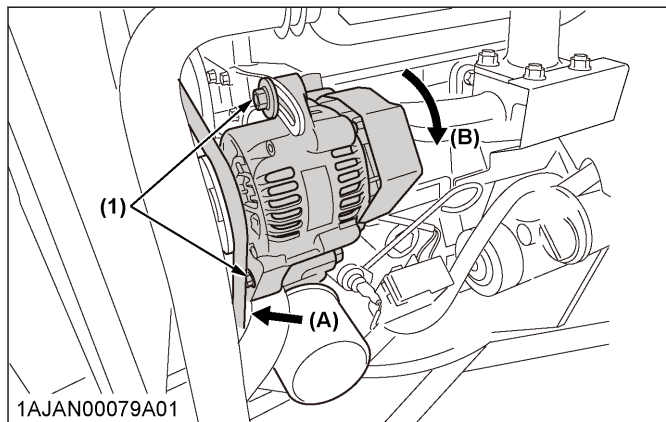
4. Adjusting the fan belt tension

⚠ WARNING
To avoid personal injury or death:

- Be sure to stop the engine and remove the key before checking the fan belt tension.

Proper fan belt tension	Press down the middle of the belt span with a force of 10 kgf and adjust the deflection to 7 mm to 9 mm (0.28 in. to 0.35 in.).
-------------------------	---

1. Stop the engine and remove the key.
2. Apply moderate thumb pressure to belt between pulleys.
3. If tension is incorrect, loosen the alternator mounting bolts, and using a lever placed between the alternator and the engine block, pull the alternator out until the deflection of the belt falls within acceptable limits.
4. Replace fan belt if it is damaged.



1AJAN00079A01
 (1) Bolt (A) To check the belt tension (B) To tighten

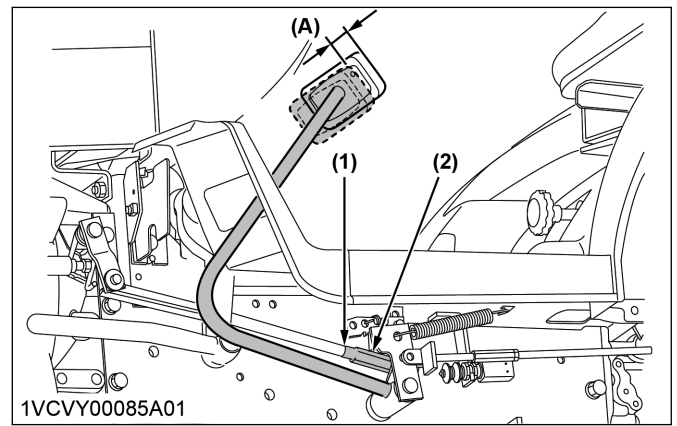
5. Adjusting clutch pedal

⚠ WARNING
To avoid personal injury or death:

- Stop the engine and chock the wheels before checking brake pedal.

Proper clutch pedal free travel	15 mm to 25 mm (0.6 in. to 1.0 in.) on the pedal
---------------------------------	--

1. Stop the engine and remove the key.
2. Slightly depress the clutch pedal and measure free travel at top of pedal stroke.
3. If adjustment is needed, loosen the lock nut and turn the turnbuckle to adjust the rod length within acceptable limits.
4. Retighten the lock nut.



1VCVY00085A01
 (1) Lock nut (2) Turnbuckle (A) Free travel

6. Adjusting the brake pedal

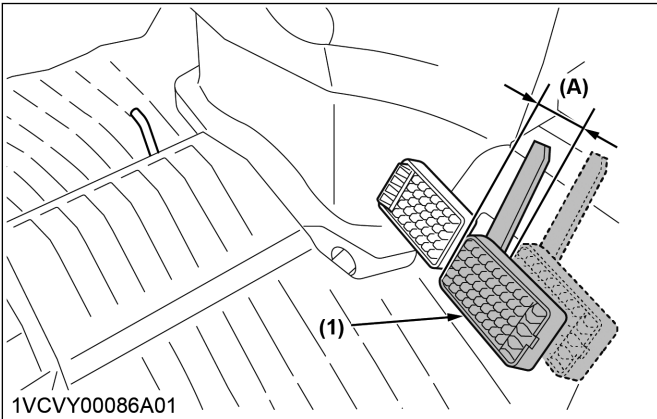
⚠ WARNING
To avoid personal injury or death:

- Stop the engine and chock the wheels before checking the brake pedal.

Proper brake pedal free travel	30 mm to 40 mm (1.18 in. to 1.57 in.) on the pedal
	Keep the free travel in the right and left brake pedals equal.

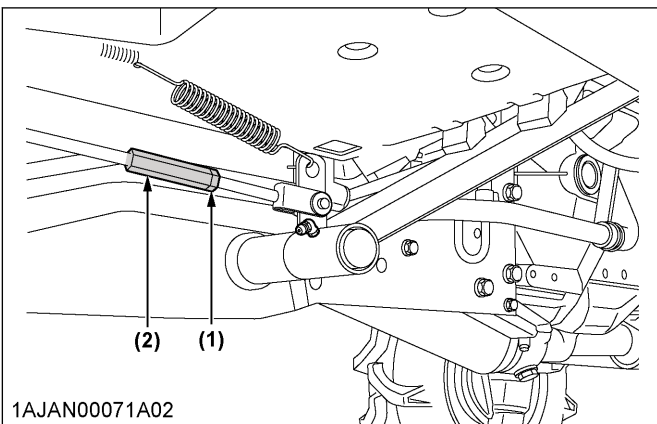
1. Release the parking brake.
2. Slightly depress the brake pedals and measure free travel at the top of pedal stroke.
3. If adjustment is needed, loosen the lock nut and turn the turnbuckle to adjust the rod length within acceptable limits.

4. Retighten the lock nut.



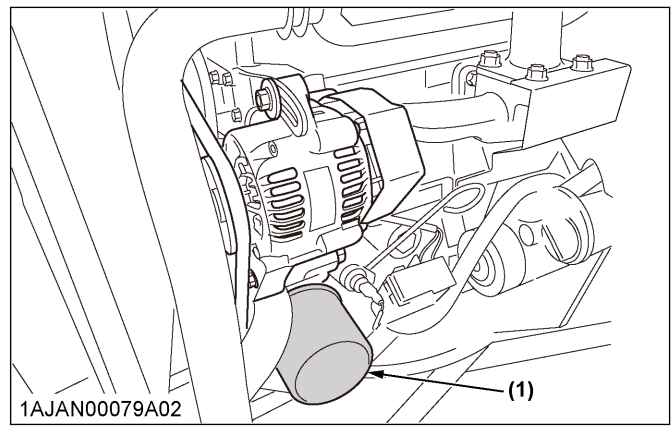
(1) Brake pedal

(A) Free travel



(1) Lock nut

(2) Turnbuckle



(1) Engine oil filter

IMPORTANT :

- To prevent serious damage to the engine, use only a KUBOTA genuine filter.
- When replacing the engine oil filter:
 - Be careful not to allow any oil onto the harness.
 - Use an oil pan or the like, which could allow no oil to flow into the wire harness.

2. Changing engine oil

! WARNING

To avoid personal injury or death:

- Be sure to stop the engine and remove the key before changing the oil.
- Allow engine to cool down sufficiently, oil can be hot and can burn.

1. To drain the used oil, remove the drain plug at the bottom of the engine and drain the oil completely into the oil pan.
2. After draining reinstall the drain plug.
3. Fill with the new oil up to the upper notch on the dipstick.
(See LUBRICANTS, FUEL AND COOLANT on page 59)

NOTE :

- In adding engine oil, use a funnel or the like.

EVERY 200 HOURS

1. Replacing engine oil filter

! WARNING

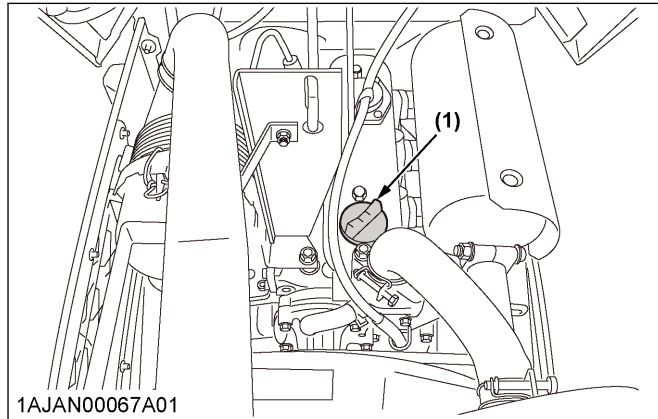
To avoid personal injury or death:

- Be sure to stop the engine before changing the oil filter cartridge.
- Allow engine to cool down sufficiently, oil can be hot and can burn.

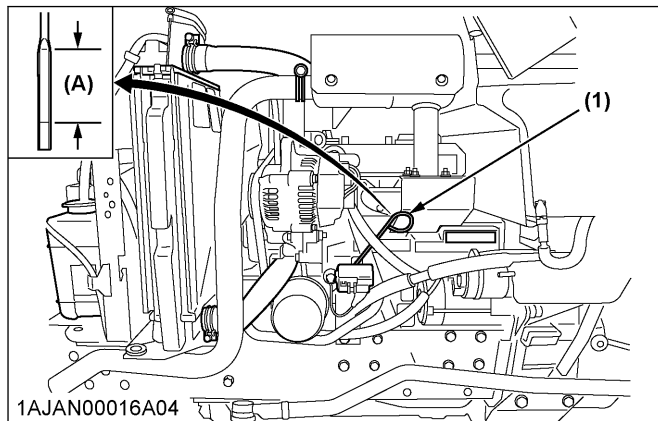
1. Remove the oil filter.
2. Put a film of clean engine oil on the rubber seal of the new filter.
3. Tighten the filter quickly until it contacts the mounting surface.
Tighten filter by hand an additional 1/2 turn only.
4. After the new filter has been replaced, the engine oil normally decreases a little. Make sure that the engine oil does not leak through the seal and be sure to check the oil level on the dipstick. Then, replenish the engine oil up to the prescribed level.
5. Properly dispose of used oil.

4. Properly dispose of used oil.

Oil capacity with filter	3.1 L (0.8 U.S.gals.)
--------------------------	-----------------------

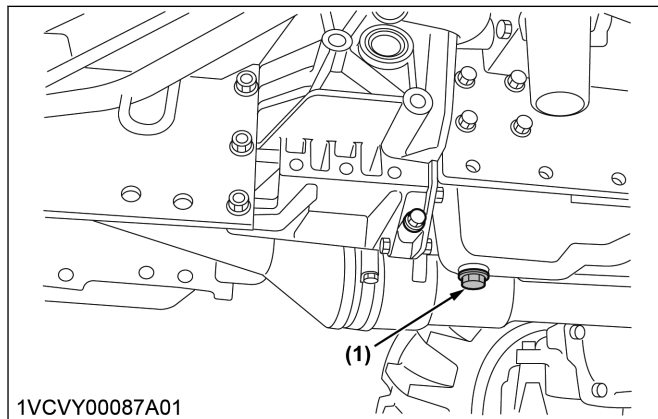


(1) Oil inlet



(1) Dipstick

(A) Range which engine oil level is acceptable within



(1) Drain plug

EVERY 400 HOURS

1. Adjusting front axle pivot [4WD]

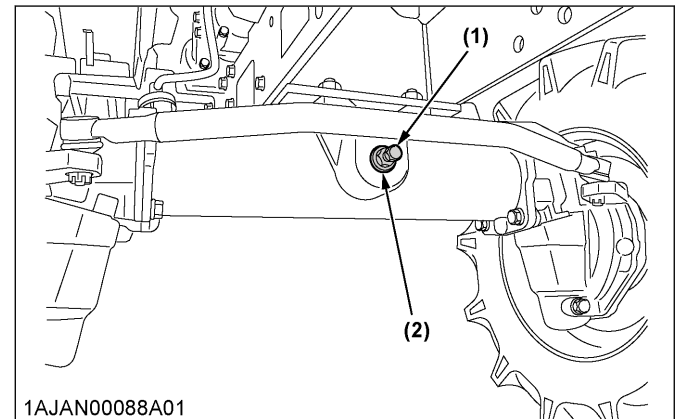
If the front axle pivot pin adjustment is not correct, front wheel vibration can occur causing vibration in the steering wheel.

Adjusting procedure

1. Loosen the lock nut, and tighten the adjusting screw so that the oscillating load is 50 to 100 N (5.1 to 10.2 kgf, 11.2 to 22.5 lbf).
2. Retighten the lock nut.

NOTE :

Consult your local KUBOTA Dealer for further details.



(1) Adjusting screw

(2) Lock nut

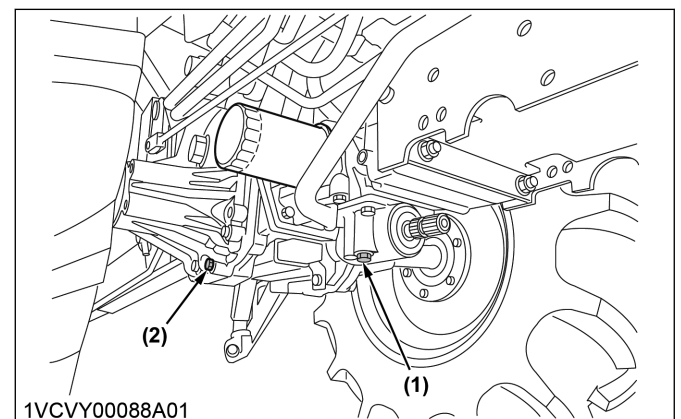
2. Changing transmission fluid / replacing hydraulic oil filter

WARNING

To avoid personal injury or death:

- Be sure to stop the engine before changing the oil filter cartridge.
- Allow engine to cool down sufficiently, oil can be hot and can burn.

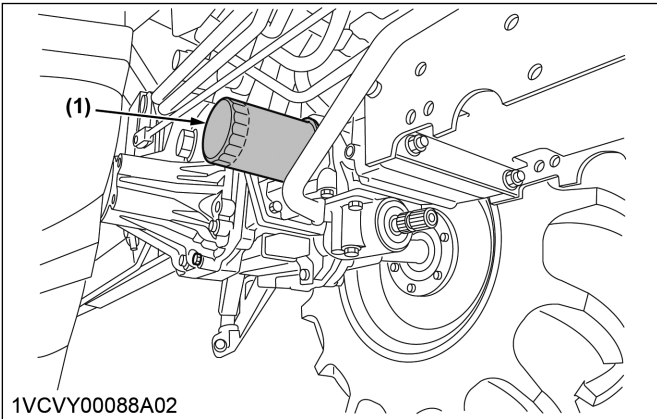
1. To drain the used oil, remove the drain plug at the bottom of the transmission case and drain the oil completely into the oil pan.
2. After draining reinstall the drain plug.



(1) Drain plug (Except B2401DTN)

(2) Drain plugs (both sides)

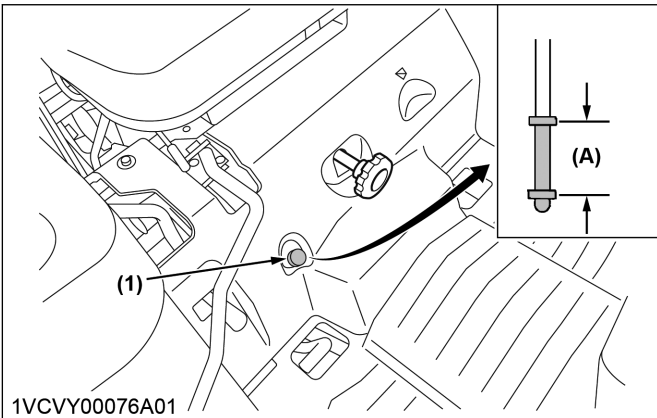
3. Remove the oil filter.



(1) Hydraulic oil filter

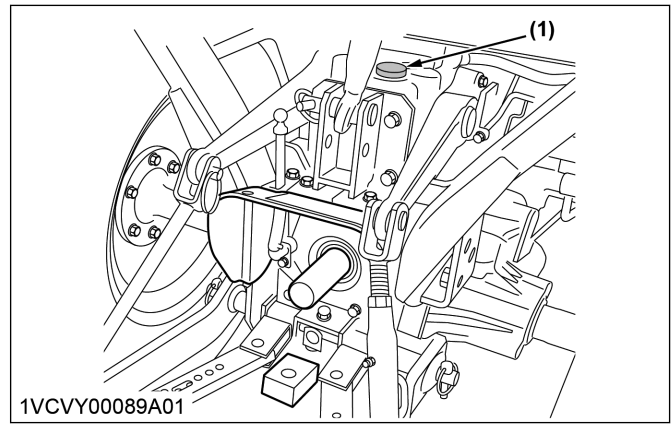
4. Put a film of clean transmission oil on rubber seal of new filter.
5. Tighten the filter quickly until it contacts the mounting surface.
Tighten filter by hand an additional 1/2 turn only.
6. Fill with new KUBOTA SUPER UDT fluid up to the upper notch on the dipstick.
(See LUBRICANTS, FUEL AND COOLANT on page 59 and Checking transmission fluid level on page 65)

Oil capacity	12.5 L (3.3 U.S.gals.)
--------------	------------------------



(1) Dipstick

(A) Range which engine oil level is acceptable within



(1) Oil inlet

7. After running the engine for a few minutes, stop it and check the oil level again. Add oil to prescribed level.
8. After the new filter has been replaced, the transmission fluid level will decrease a little. Make sure that the transmission fluid does not leak through the seal, and check the fluid level.
Top off if necessary.
9. Properly dispose of used oil.

IMPORTANT :

- To prevent serious damage to the hydraulic system, use only a KUBOTA genuine filter.
- If the 3-point hitch can not be raised by setting the position control lever to the UP position after long term storage or when changing the transmission oil, turn steering wheel to the right and left several times to bleed air from the system.
- Do not operate the tractor immediately after changing the transmission fluid.
Run the engine at medium speed for a few minutes to prevent damage to the transmission.

3. Replacing the fuel filter element

See Cleaning fuel filter on page 72.

4. Changing front axle case oil

1. Park the tractor on a firm, flat and level surface.
2. To drain the used oil, remove the right and left drain plugs and filling plug at the front axle case and drain the oil completely into the oil pan.
3. After draining, reinstall the drain plugs.

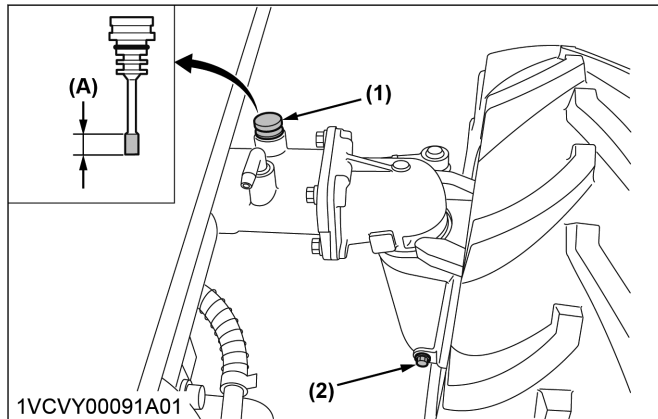
4. Fill with new oil up to the upper notch on the dipstick.
(See LUBRICANTS, FUEL AND COOLANT on page 59)

IMPORTANT :

- **After 10 minutes, check the oil level again. Add oil to prescribed level.**

5. After filling, reinstall the filling plug.
6. Properly dispose of used oil.

Oil capacity	B2401DT B2401DTWO	3.2 L (0.9 U.S.gals.)
	B2401DTN	3.0 L (0.8 U.S.gals.)



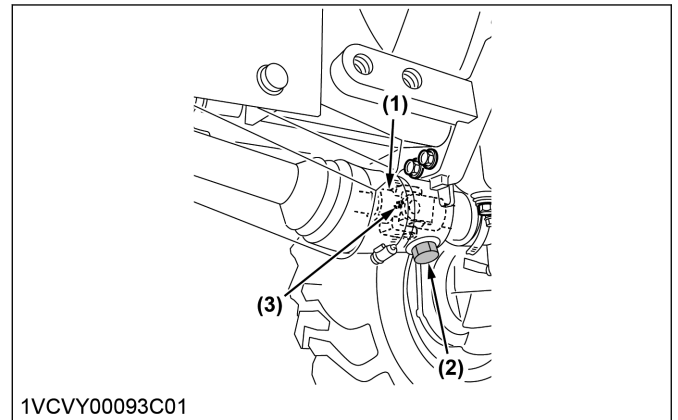
(1) Filling plug with dipstick (A) Range which engine oil level is acceptable within
(2) Drain plug

5. Lubricating grease fittings

Apply a small amount of multipurpose grease to the universal joint every 400 hours. If you operated the machine in extremely wet and muddy conditions, lubricate grease fittings more often.

1. Remove the plug and step mat.
2. Apply grease through the grease fittings of universal joint.
3. Attach the plug and step mat back into position.

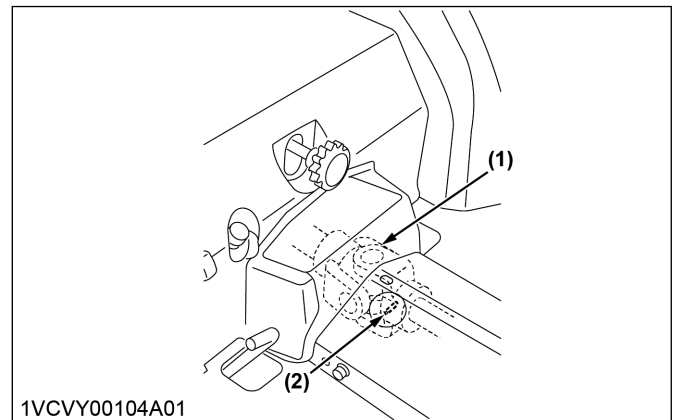
[B2401DTN only]



(1) Universal joint (3) Grease fitting
(2) Plug

Tightening torque	Plug (2)	44.1 N · m to 53.5 N · m (4.5 kgf · m to 5.5 kgf · m) [32.5 lbf · ft to 39.5 lbf · ft]
-------------------	----------	--

[All models]



(1) Universal joint (2) Grease fitting

EVERY 800 HOURS

1. Adjusting the engine valve clearance

Consult your local KUBOTA Dealer for this service.

EVERY 1000 HOURS OR 1 YEAR

- Be sure to do the following servicing once every 1000 hours or yearly, whichever comes first.

1. Replacing air cleaner primary element and secondary element

(See Cleaning air cleaner primary element on page 71)

IMPORTANT :

- **To prevent serious damage to the engine, use only a KUBOTA genuine filter.**

EVERY 1500 HOURS

1. Checking fuel injection nozzle injection pressure

Consult your local KUBOTA Dealer for this service.

EVERY 2000 HOURS OR 2 YEARS

- Be sure to do the following servicing once every 2000 hours or biennially, whichever comes first.

1. Flushing cooling system and changing coolant

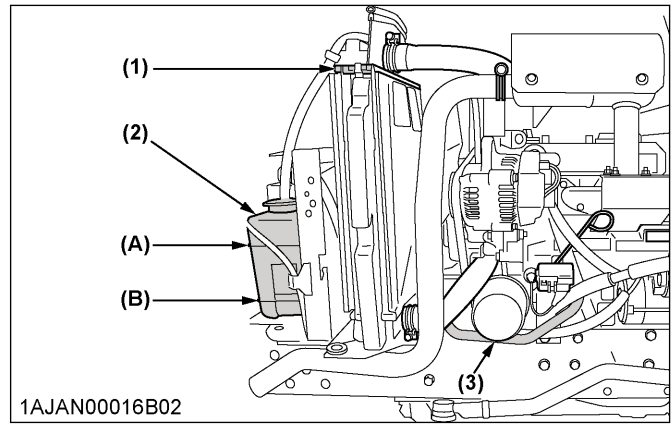
WARNING

To avoid personal injury or death:

- Do not remove radiator cap while coolant is hot. When cool, slowly rotate cap to the first stop and allow sufficient time for excess pressure to escape before removing the cap completely.

1. Stop the engine, remove the key and let it cool down.
2. To drain the coolant, remove the radiator hose, and remove radiator cap. The radiator cap must be removed to completely drain the coolant.
3. After all coolant is drained, install the radiator hose.
4. Fill with clean soft water and cooling system cleaner.
5. Follow directions of the cleaner instruction.
6. After flushing, fill with clean soft water and antifreeze until the coolant level is just below the radiator cap. Install the radiator cap securely.
7. Fill with coolant up to the "FULL" mark of recovery tank.
8. Start and operate the engine for few minutes.
9. Stop the engine, remove the key and let cool.
10. Check coolant level of recovery tank and add coolant if necessary.
11. Properly dispose of used coolant.

Coolant capacity (with recovery tank)	3.9 L (1.0 U.S.gals.)
---------------------------------------	-----------------------



- (1) Radiator cap
- (2) Recovery tank
- (3) Radiator hose
- (A) Full
- (B) Low

IMPORTANT :

- Do not start engine without coolant.
- Use clean, fresh soft water and antifreeze to fill the radiator and recovery tank.
- When mixing the antifreeze with water, the antifreeze mixing ratio is 50%.
- Securely tighten radiator cap and install the radiator hose. If the cap is loose or improperly fitted, water may leak out and the engine could overheat.

2. Antifreeze

WARNING

To avoid personal injury or death:

- When using antifreeze, put on some protection such as rubber gloves (antifreeze contains poison).
- If it is swallowed, seek immediate medical help. Do not make a person throw up unless told to do so by poison control or a health care professional. Use standard first aid and CPR for signs of shock or cardiac arrest. Call your local Poison Control Center or your local emergency number for further assistance.
- When antifreeze comes in contact with the skin or clothing, wash it off immediately.
- Do not mix different types of antifreeze. The mixture can produce chemical reaction causing harmful substances.
- Antifreeze is extremely flammable and explosive under certain conditions. Keep fire and children away from antifreeze.
- When draining fluids from the engine, place some container underneath the engine body.
- Do not pour waste onto the ground, down a drain, or into any water source.

- Also, observe the relevant environmental protection regulations when disposing of antifreeze.

Always use a 50/50 mix of long-life coolant and clean soft water in KUBOTA engines.

Consult your local KUBOTA Dealer concerning coolant for extreme conditions.

NOTE :

- **The following data represent industry standards that necessitate a minimum glycol content in the concentrated antifreeze.**
- Long-life coolant (hereafter LLC) comes in several types. Use ethylene glycol (EG) type for this engine.
- Before employing LLC-mixed cooling water, fill the radiator with fresh water and empty it again. Repeat this procedure 2 or 3 times to clean up the inside.
- **Mixing the LLC**
Premix 50% LLC with 50% clean soft water. When mixing, stir it up well, and then fill into the radiator.
- The procedure for the mixing of water and antifreeze differs according to the make of the antifreeze and the ambient temperature. Refer to SAE J1034 standard, more specifically also to SAE J814c.

Vol% Antifreeze	Freezing point	Boiling point *
	°C (°F)	°C (°F)
50	-37 (-34)	108 (-226)

A higher boiling point is obtained by using a radiator pressure cap which permits the development of pressure within the cooling system.

- Adding the LLC
 - Add only water if the mixture reduces in amount by evaporation.
 - If there is a mixture leak, add the LLC of the same manufacturer and type in the same mixture percentage.
 - Never add any long-life coolant of different manufacturer. (Different brands may have different additive components, and the engine may fail to perform as specified.)
- When the LLC is mixed, do not employ any radiator cleaning agent. The LLC contains anticorrosive agent. If mixed with the cleaning agent, sludge may build up, adversely affecting the engine parts.
- KUBOTA's genuine long-life coolant has a service life of 2 years. Be sure to change the coolant every 2000 hours or every 2 years whichever comes faster.

* At 1.013 × 10⁵ Pa (760 mmHg) pressure (atmospheric).

EVERY 3000 HOURS

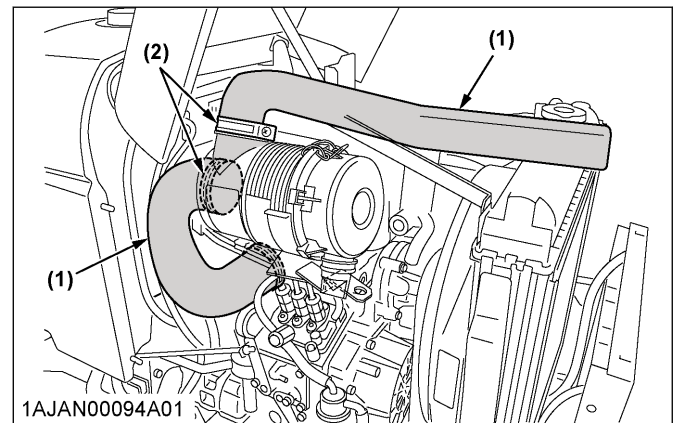
1. Checking the injection pump

Consult your local KUBOTA Dealer for this service.

EVERY 1 YEAR

1. Checking the intake air line

1. Check to see that the hose and hose clamps are tight and not damaged.
2. If the hose and clamps are found worn or damaged, replace or repair them at once.



(1) Hose

(2) Hose clamps

2. Checking radiator hoses and clamps

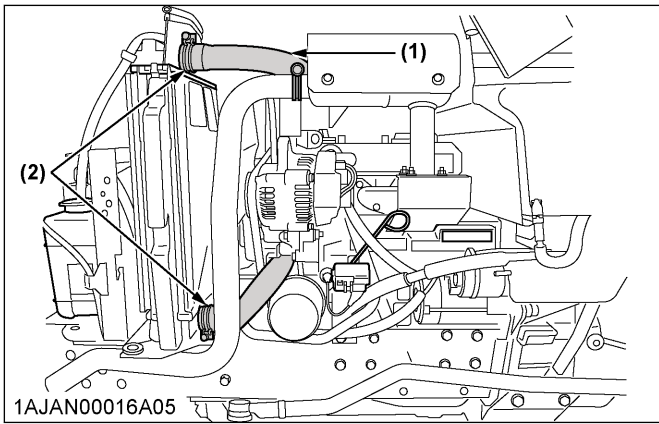
! WARNING

To avoid personal injury or death:

- Be sure to stop the engine and remove the key before checking radiator hose and clamp.
- Allow engine and coolant to cool down sufficiently before checking.

Inspect every year. Replace if any deterioration (crack, hardening, scar, or deformation) or damage occurred.

1. If hose clamps are loose or water leaks, tighten bands securely.
2. Replace hoses and tighten hose clamps securely, if radiator hoses are swollen, hardened or cracked. Replace hoses and hose clamps every 4 years or earlier if checked and found that hoses are swollen, hardened or cracked.



(1) Radiator hoses (2) Hose clamps

Precaution at overheating

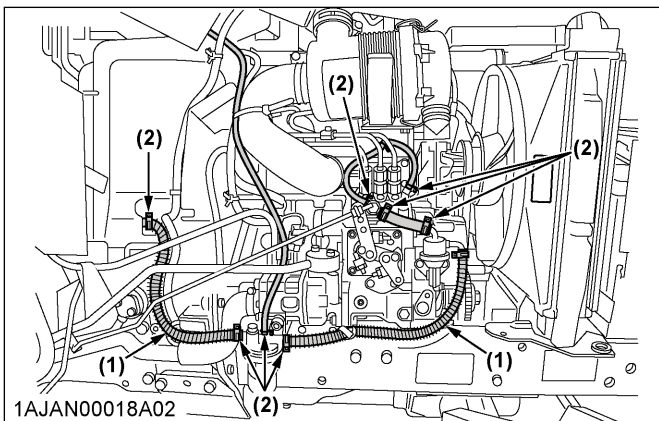
Take the following actions in the event the coolant temperature is nearly or more than the boiling point, what is called "Overheating"

1. Park the tractor in a safe place and keep the engine unloaded idling.
2. Don't stop the engine suddenly, but stop it after about 5 minutes of unloaded idling.
3. Keep yourself well away from the machine for further 10 minutes or while the steam blows out.
4. Check that there are no dangers such as burns. Get rid of the causes of overheating according to the manual.

(See ENGINE TROUBLESHOOTING on page 84)

3. Checking the fuel line

1. Check to see that all lines and hose clamps are tight and not damaged.
2. If the hoses and clamps are found worn or damaged, replace or repair them at once.



(1) Fuel lines (2) Clamp bands

NOTE :

- If the fuel line is removed, be sure to properly bleed the fuel system. (See Bleeding fuel system on page 80)

EVERY 4 YEARS

1. Replacing the radiator hose (water pipes)

1. Replace the hoses and clamps. (See Checking radiator hoses and clamps on page 79)

2. Replacing fuel hose

Consult your local KUBOTA Dealer for this service.

3. Replacing the intake air line

Consult your local KUBOTA Dealer for this service.

SERVICE AS REQUIRED

1. Bleeding fuel system

Air must be removed:

- When the fuel filter or lines are removed.
- When tank is completely empty.
- After the tractor has not been used for a long period of time.

Bleeding procedure is as follows:

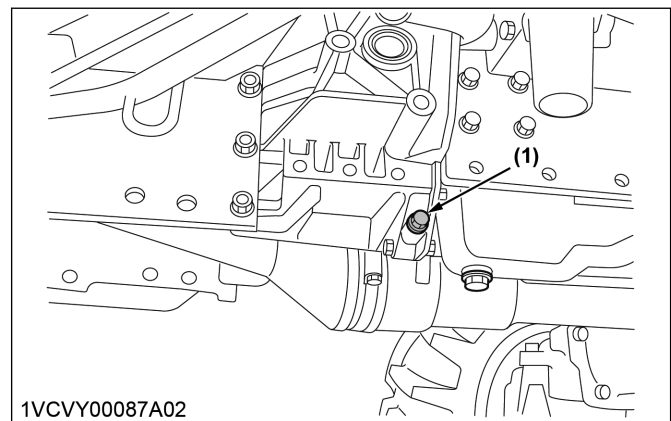
1. Fill the fuel tank with fuel.
2. Start the engine and run for about 30 seconds, and then stop the engine.

2. Draining clutch housing water

The tractor is equipped with a drain plug under the clutch housing.

After operating in rain, snow or tractor has been washed, water may get into the clutch housing.

1. Remove the drain plug and drain the water, then install the plug again.



(1) Water drain plug

3. Replacing fuse



WARNING

To avoid personal injury or death:

- Do not use a larger than recommended fuse or bypass the fuse system.

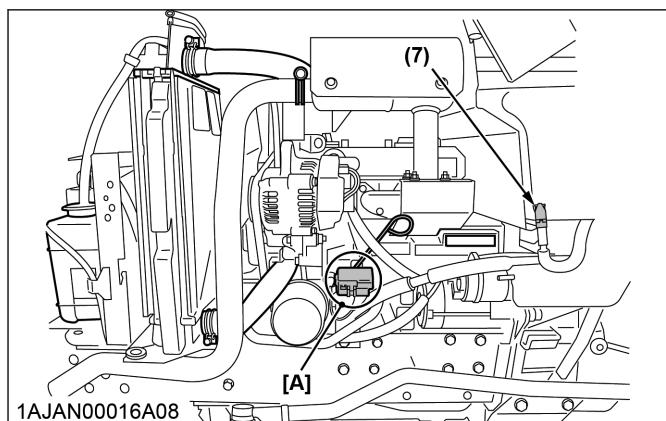
The tractor electrical system is protected from potential damage by fuses.

A blown fuse indicates that there is an overload or short somewhere in the electrical system.

1. If any of the fuses should blow, replace with a new one of the same capacity.

IMPORTANT :

- Before replacing a blown fuse, determine why the fuse blew and make any necessary repairs. Failure to follow this procedure may result in serious damage to the tractor electrical system. Refer to the **ENGINE TROUBLESHOOTING** on page 84 of this manual or your local KUBOTA Dealer for specific information dealing with electrical problems.



[A]		
ALTERNATOR FLASHER	10 A	(1)
HEAD LIGHT	20 A	(2)
WORK LIGHT OUTLET	15 A	(3)
HAZARD	10 A	(4)
LIGHT ACC	30 A	(5)
KEY STOP	30 A	(6)

Protected circuit

Fuse No.	Capacity (A)	Protected circuit
(1)	10	ALTERNATOR FLASHER
(2)	20	HEAD LIGHT
(3)	15	WORK LIGHT OUTLET
(4)	10	HAZARD
(5)	30	LIGHT ACC
(6)	30	KEY STOP
(7)	Slow blow fuse 40	Check circuit against wrong battery connection.

4. Replacing light bulb

Head light

1. Take the bulb out of the light body and replace with a new one.

Other lights

1. Detach the lens and replace the bulb.

Light	Capacity
Head light	12 V, 23 W
Tail / turn signal / hazard light	12 V, 21 / 5 W
Turn signal / hazard light	12 V, 23 W
Instrument panel light	12 V, 1.7 W

Replace the following parts if any deterioration (crack, hardening, scar or deformation) or damage occurred. However, must be replaced every 4 years regardless of the condition.

5. Replacing radiator hose (water pipes)

1. Replace the hoses and clamps.
(See Checking radiator hoses and clamps on page 79)

6. Replacing fuel lines

Consult your local KUBOTA Dealer for this service.

7. Replacing intake air line

Consult your local KUBOTA Dealer for this service.

8. Washing the tractor

Misuse of the high pressure washer may cause personal injury or machine damage, as well as the

failure or malfunction of the machine. Follow the instruction manual and the labels on the high pressure washer, and use it properly.

CAUTION

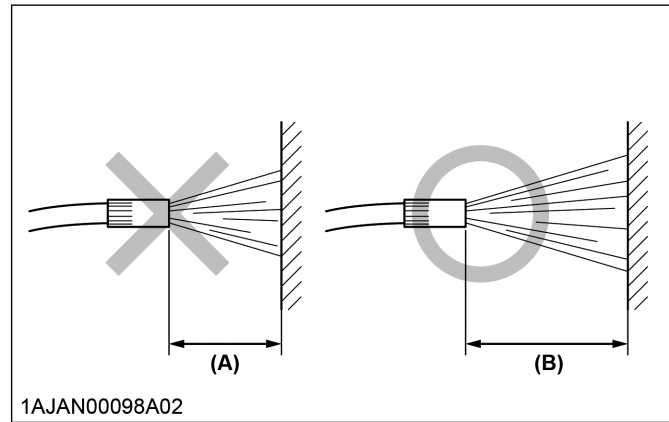
To avoid personal injury:

- To prevent the machine from being damaged, set the washing nozzle to spreading water, and keep the distance 2 m away from the machine to clean it. When the water is directed at a pin point area, or when the machine is washed from too close a position with a high pressure flow:
 - The cover of the wirings may be damaged or the wiring may be cut off, causing fire.
 - The hydraulic hose may be damaged, causing a high pressure oil blow out. This may cause injury.

IMPORTANT :

- If the machine is not washed as specified, the following peel-off, damage or malfunction may result.
- Examples:
 - The stickers or labels may peel away.
 - The electronic components, engine compartment, transmission case, cabin and others may get wet inside and adversely affected.
 - The crawlers, tires, oil seals and other rubberbased components, the decorative covers and other plastic-based components, and the windows and other glass-based components may get damaged.
 - The paints, coatings and platings may peel away.

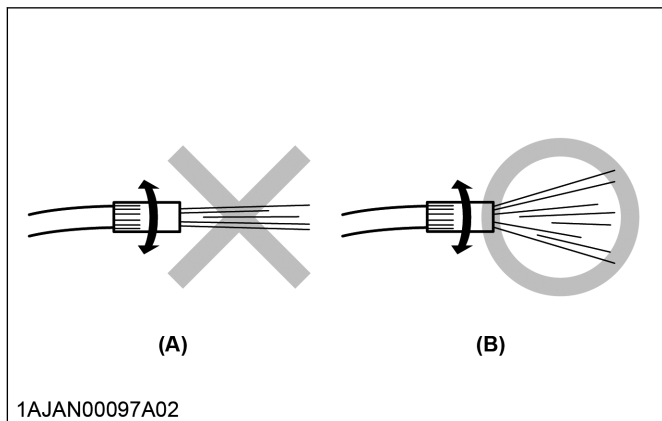
[No pressure-washer at short range]



(A) Less than 2 m

(B) More than 2 m

[No high pressure-water]



(A) High pressure

(B) Low pressure

STORAGE

⚠ WARNING

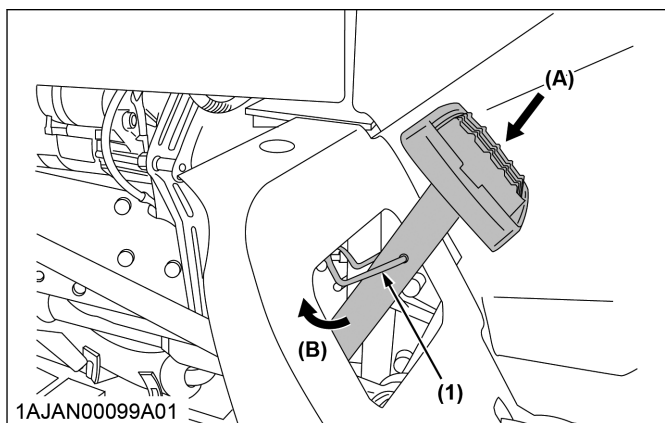
To avoid personal injury or death:

- Do not clean the machine while the engine is running.
- To avoid the danger of exhaust fume poisoning, do not operate the engine in a closed building without proper ventilation.
- When storing, remove the key from the key switch to avoid unauthorized persons from operating the tractor and getting injured.

TRACTOR STORAGE

If you intend to store your tractor for an extended period of time, follow the proper storing procedures. These procedures will insure that the tractor is ready to operate with minimum preparation when it is removed from storage.

1. Check the bolts and nuts for looseness, and tighten if necessary.
2. Apply grease to tractor areas where bare metal will rust also to pivot areas.
3. Detach the weights from the tractor body.
4. Inflate the tires to a pressure a little higher than usual.
5. Change the engine oil and run the engine to circulate oil throughout the engine block and internal moving parts for about 5 minutes.
6. Keep the clutch disengaged. If the clutch is left engaged for a long period of time, the clutch plate may rust, making clutch disengagement impossible at the next operation.



(1) Clutch pedal latch

(A) Depress
(B) Hook

7. With all implements lowered to the ground, coat any exposed hydraulic cylinder piston rods with grease.
8. Remove the battery from the tractor. Store the battery following the battery storage procedures. (See Battery on page 70)
9. Keep the tractor in a dry place where the tractor is sheltered from the elements. Cover the tractor.
10. Store the tractor indoors in a dry area that is protected from sunlight and excessive heat. If the tractor must be stored outdoors, cover it with a waterproof tarpaulin. Jack the tractor up and place blocks under the front and rear axles so that all 4 tires are off the ground. Keep the tires out of direct sunlight and extreme heat.

IMPORTANT :

- When washing the tractor, be sure to stop the engine. Allow sufficient time for the engine to cool before washing.
- Cover the tractor after the muffler and the engine have cooled down.

REMOVING THE TRACTOR FROM STORAGE

1. Check the tire air pressure and inflate the tires if they are low.
2. Jack the tractor up and remove the support blocks from under the front and rear axles.
3. Install the battery. Before installing the battery, be sure it is fully charged.
4. Check the fan belt tension.
5. Check all fluid levels (engine oil, transmission/hydraulic oil, engine coolant and any attached implements).
6. Start the engine. Observe all gauges. If all gauges are functioning properly and reading normal, move the tractor outside. Once outside, park the tractor and let the engine idle for at least 5 minutes. Shut the engine off and walk around tractor and make a visual inspection looking for evidence of oil or water leaks.
7. With the engine fully warmed up, release the parking brake and test the brakes for proper adjustment as you move forward. Adjust the brakes as necessary.

TROUBLESHOOTING

ENGINE TROUBLESHOOTING

If something is wrong with the engine, refer to the following table for the cause and its corrective measure.

Trouble		Cause	Countermeasure
Engine is difficult to start or won't start.		<ul style="list-style-type: none"> No fuel flow. 	<ul style="list-style-type: none"> Check the fuel tank and the fuel filter. Replace filter if necessary.
		<ul style="list-style-type: none"> Air or water is in the fuel system. 	<ul style="list-style-type: none"> Check to see if the fuel line coupler bolt and nut are tight. Bleed the fuel system. (See Bleeding fuel system on page 80) Remove water from the system and replace the fuel filter.
		<ul style="list-style-type: none"> In winter, oil viscosity increases, and engine revolution is slow. 	<ul style="list-style-type: none"> Use oils of different viscosity, depending on ambient temperatures. Use the engine-block-heater (optional).
		<ul style="list-style-type: none"> Battery becomes weak and the engine does not turn over quick enough. 	<ul style="list-style-type: none"> Clean the battery cables and terminals. Charge the battery. In cold weather, always remove the battery from the engine, charge the battery, and store it indoors. Install the battery on the tractor only when the tractor is going to be used.
Insufficient engine power.		<ul style="list-style-type: none"> Insufficient or dirty fuel. The air cleaner is clogged. 	<ul style="list-style-type: none"> Check the fuel system. Clean or replace the element.
Engine stops suddenly.		<ul style="list-style-type: none"> Insufficient fuel. 	<ul style="list-style-type: none"> Refuel. Bleed the fuel system if necessary.
Exhaust fumes are colored.	Black	<ul style="list-style-type: none"> Fuel quality is poor. Too much oil. The air cleaner is clogged. 	<ul style="list-style-type: none"> Change the fuel and fuel filter. Check the proper amount of oil. Clean or replace the element.
	Blue white	<ul style="list-style-type: none"> The inside of exhaust muffler is damp from fuel. Injection nozzle trouble. Fuel quality is poor. 	<ul style="list-style-type: none"> Heat the muffler by applying load to the engine. Check the injection nozzle. Change the fuel and fuel filter.
Engine overheats.		<ul style="list-style-type: none"> Engine overloaded. 	<ul style="list-style-type: none"> Shift to lower gear or reduce load.
		<ul style="list-style-type: none"> Low coolant level. 	<ul style="list-style-type: none"> Fill cooling system to the correct level. Check radiator and hoses for loose connections or leaks.
		<ul style="list-style-type: none"> Loose or damaged fan belt. 	<ul style="list-style-type: none"> Adjust or replace fan belt.
		<ul style="list-style-type: none"> Dirty radiator core or grille screens. 	<ul style="list-style-type: none"> Remove all trash.
		<ul style="list-style-type: none"> Coolant flow route corroded. 	<ul style="list-style-type: none"> Flush cooling system.

If you have any questions, consult your local KUBOTA Dealer.

OPTIONS

Consult your local KUBOTA Dealer for further detail.

- Front end weights
For front ballast
- Mounting kit (front end weights)
To mount front end weights

INDEX

Symbols

3-point hitch.....	42
using.....	9
3-point hitch lowering speed function.....	45

A

air cleaner primary element cleaning.....	71
replacing.....	77
air cleaner secondary element replacing.....	77
antifreeze checking.....	78

B

battery checking condition.....	70
battery cable checking.....	67
cleaning.....	67
biodiesel fuel (BDF) outline.....	61
block heater checking.....	28
brake pedal adjusting.....	73
checking.....	66
brake pedal (left) function.....	33
brake pedal (right) function.....	33

C

CAB safety.....	5
care of safety label.....	16
clutch housing water draining.....	80
clutch pedal adjusting.....	73
checking.....	66
function.....	34
control lever connecting.....	47
coolant changing.....	78
checking level.....	65
coolant table.....	59
coolant temperature gauge function.....	37

cooling system flushing.....	78
---------------------------------	----

D

daily check.....	25
dealer service.....	17
differential lock function.....	38
drawbar.....	42
adjusting length.....	44
function.....	43
dual tire.....	50
dust cover (drag-link) checking.....	69
dust cover (tie-rod) checking.....	69

E

Easy Checker checking.....	66
function.....	36
electrical outlet outline.....	39
electrical wiring checking.....	67
cleaning.....	67
engine immediately stop.....	36
jump starting.....	28
starting.....	26
stopping.....	28
troubleshooting.....	84
warming up.....	28
engine oil changing.....	74
checking level.....	64
engine oil filter replacing.....	74
engine side cover removing.....	64
engine start system checking.....	68
engine valve adjusting clearance.....	77
evacuator valve cleaning.....	66

F

fan belt tension adjusting.....	73
foldable ROPS adjusting.....	31
foot control.....	24

foot throttle		
function.....	35	
front axle case oil		
changing.....	76	
front axle pivot [4WD]		
adjusting.....	75	
front ballast		
function.....	54	
front end weight (option)		
function.....	54	
front wheel		
function.....	51	
front wheel drive lever		
function.....	35	
fuel filter		
cleaning.....	72	
fuel filter element		
replacing.....	76	
fuel gauge		
function.....	36	
fuel hose		
replacing.....	80	
fuel injection nozzle		
checking injection pressure.....	78	
fuel line		
checking.....	80	
replacing.....	81	
fuel system		
bleeding.....	80	
fuel table.....	59	
fuel tank		
checking.....	64	
refueling.....	64	
fuse		
replacing.....	81	
G		
gauge		
checking.....	66	
grease fitting		
lubricating.....	67,77	
grill		
cleaning.....	66	
H		
hand control.....	23,24	
hand throttle lever		
function.....	35	
hazard light		
checking.....	66	
hazard light switch		
function.....	32	
head light		
checking.....	66	
head signal light switch		
function.....	32	
holes of lifting rod		
selecting.....	43	
hood		
closing.....	63	
opening.....	63	
hose clamp		
checking.....	79	
hourmeter		
function.....	37	
hydraulic block type outlet		
function.....	45	
hydraulic control unit		
reference chart.....	49	
hydraulic hose		
connecting.....	47	
hydraulic oil filter		
replacing.....	75	
I		
implement		
limitation.....	21	
injection pump		
checking.....	79	
instrument panel.....	23	
intake air line		
checking.....	79	
replacing.....	80,81	
L		
lifting rod (right)		
function.....	43	
light bulb		
replacing.....	81	
loader / remote control valve lever		
function.....	47	
lower link		
selecting.....	43	
lower link set bolt		
checking.....	70	
lubricants table.....	59	
M		
main gear shift lever		
function.....	34	
meter		
checking.....	66	
movable part		
checking.....	67	
O		
operator presence control (OPC) system		
function.....	32	
operator's seat		
function.....	32	

P

parking brake	
function.....	36,37
position control	
function.....	45
power steering	
directions for use.....	39
precaution	
avoiding crystalline silica (quartz) dust.....	7
PTO	
operating.....	9
PTO gear shift lever	
function.....	40
PTO shaft cap	
function.....	41
PTO shaft cover	
function.....	41

R

radiator hose	
checking.....	79
radiator hose (water pipe)	
replacing.....	80,81
radiator screen	
cleaning.....	66
range gear shift lever (L-M-H)	
function.....	34
rear ballast	
function.....	55
rear outlet	
function.....	46
rear tire	
liquid ballast.....	55
rear wheel	
adjusting.....	52
function.....	52
rear wheel weight [B2401DTN]	
function.....	55
ROPS	
checking.....	67
folding.....	30
raising to upright position.....	31
safety.....	5

S

safety labels.....	11
seat belt	
checking.....	67
function.....	32
service intervals.....	57
stationary PTO	
starting.....	41
switch.....	23

T

tachometer	
function.....	37
telescopic stabilizer	
function.....	43
tire	
inflation pressure.....	50
top link	
adjusting.....	43
top link mounting hole	
selecting.....	43
tractor	
before operating.....	5
changing lubricating oil.....	30
do not operate at full speed for the first 50 hours..	30
driving on the road.....	8
operating.....	6,30
operating on rough terrain.....	38
operating on slope.....	38
operating on slopes.....	7
parking.....	9
precautions operating on a road.....	38
removing from storage.....	83
safety for children.....	7
scrapping procedure.....	18
servicing.....	9
specification table.....	19
starting to operate.....	6
stopping.....	36
storing.....	83
walk around inspection.....	64
warranty.....	17
washing.....	81
working.....	6
tractor light	
function.....	33
transmission fluid	
changing.....	75
checking level.....	65
transmission oil	
warm-up at low ambient temperatures.....	28
traveling speeds.....	20
turn signal light switch	
function.....	32

V

valve lock	
function.....	48

W

wheel bolt	
checking torque.....	69