



- U.S.A. : **KUBOTA TRACTOR CORPORATION**
1000 Kubota Drive, Grapevine, TX 76051
Telephone : 888-4KUBOTA
- Canada : **KUBOTA CANADA LTD.**
5900 14th Avenue, Markham, Ontario, L3S 4K4, Canada
Telephone : (905)294-7477
- France : **KUBOTA EUROPE S.A.S**
19-25, Rue Jules Vercey, Z.I. BP88, 95101 Argenteuil Cedex, France
Telephone : (33)1-3426-3434
- Italy : **KUBOTA EUROPE S.A.S Italy Branch**
Via Grandi, 29 20068 Peschiera Borrome (MI) Italy
Telephone : (39)02-51650377
- Germany : **KUBOTA (DEUTSCHLAND) GmbH**
Senefelder Str. 3-5 63110 Rodgau /Nieder-Roden, Germany
Telephone : (49)6106-873-0
- U.K. : **KUBOTA (U.K.) LTD.**
Dormer Road, Thame, Oxfordshire, OX9 3UN, U.K.
Telephone : (44)1844-214500
- Spain : **KUBOTA ESPAÑA S.A.**
Avenida Recomba No.5, Poligno Industrial la Laguna, Leganes, 28914 (Madrid) Spain
Telephone : (34)91-508-6442
- Australia : **KUBOTA AUSTRALIA PTY LTD.**
25-29 Permas Way, Truganina, VIC 3029, Australia
Telephone : (61)-3-9394-4400
- Malaysia : **SIME KUBOTA SDN. BHD.**
No.3 Jalan Sepadu 25/123 Taman Perindustrian Axis,
Seksyen 25, 40400 Shah Alam, Selangor Darul Ehsan Malaysia
Telephone : (60)3-736-1388
- Philippines : **KUBOTA PHILIPPINES, INC.**
232 Quirino Highway, Baesa, Quezon City 1106, Philippines
Telephone : (63)2-422-3500
- Taiwan : **SHIN TAIWAN AGRICULTURAL MACHINERY CO., LTD.**
16, Fengping 2nd Rd, Taliáo Shiang Kaohsiung 83107, Taiwan R.O.C.
Telephone : (886)7-702-2333
- Indonesia : **PT KUBOTA MACHINERY INDONESIA**
Tower A at EightyEight@Kasablanka Lantai 16
Jalan Raya Casablanka Kav. 88, Jakarta 12870 Indonesia
Telephone : (62)-21-29568-720
- Thailand : **SIAM KUBOTA CORPORATION CO., LTD.**
101/19-24 Moo 20, Navanakorn Industrial Estate, Tambon Khlongnueng, Amphur Khlongluang,
Pathumthani 12120, THAILAND
Telephone : (66)2-909-0300
- Korea : **KUBOTA KOREA CO., LTD.**
41-27, Jayumyeok-gil, Baeksan-myeon, Gimje-si, Jeollabuk-do, Korea
Telephone : (82)-63-544-5822
- India : **KUBOTA AGRICULTURAL MACHINERY INDIA PVT. LTD.**
No.15, Medavakkam Road, Sholinganallur, Chennai-600119, T.N., India
Telephone : (91)44-6104-1500
- Vietnam : **KUBOTA VIETNAM CO., LTD.**
Lot B-3A2-CN, My Phuoc 3 Industrial Park, Thoi Hoa Ward, Ben Cat Town, Binh Duong Province, Vietnam
Telephone : (84)-274-3577-507

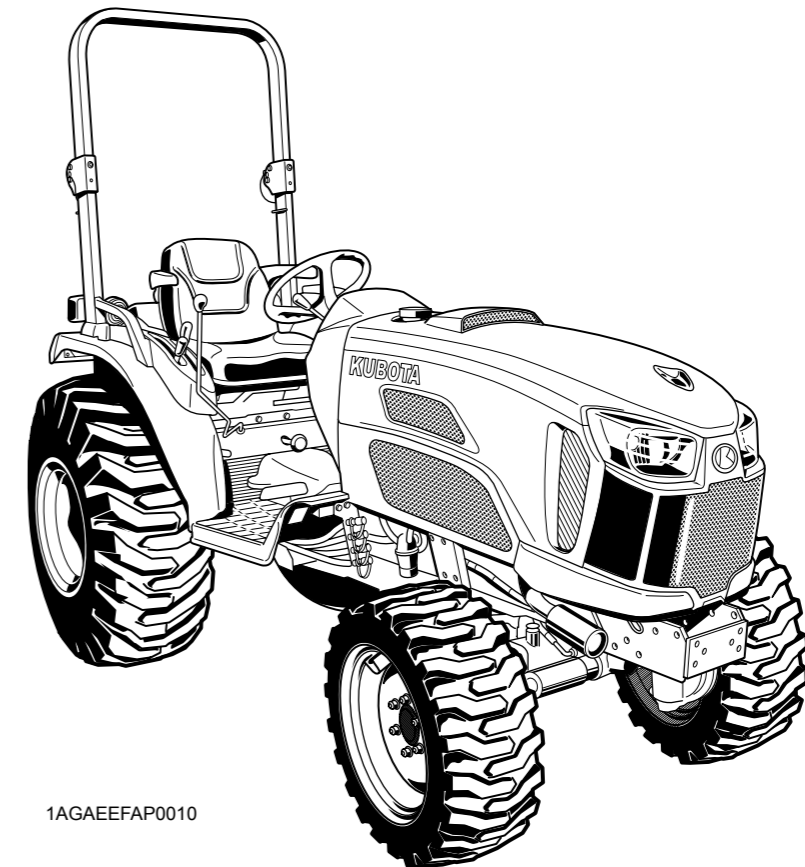
KUBOTA Corporation

English (U.S.A.)
Code No. 6C410-6311-8

OPERATOR'S MANUAL

KUBOTA TRACTOR

MODELS B2650·B3350·B3350SU



1AGAEFAP0010

B
2
6
5
0
·
B
3
3
5
0
·
B
3
3
5
0
S
U

READ AND SAVE THIS MANUAL



ABBREVIATION LIST

Abbreviations	Definitions
2WD	2 Wheel Drive
4WD	4 Wheel Drive
API	American Petroleum Institute
ASABE	American Society of Agricultural and Biological Engineers, USA
ASTM	American Society for Testing and Materials, USA
DIN	Deutsches Institut für Normung, GERMANY
DT	Dual Traction [4WD]
fpm	Feet Per Minute
Hi-Lo	High Speed-Low Speed
HST	Hydrostatic Transmission
m/s	Meters Per Second
PTO	Power Take Off
RH/LH	Right-hand and left-hand sides are determined by facing in the direction of forward travel
ROPS	Roll-Over Protective Structures
rpm	Revolutions Per Minute
r/s	Revolutions Per Second
SAE	Society of Automotive Engineers, USA
SMV	Slow Moving Vehicle

KUBOTA Corporation is ...

Since its inception in 1890, KUBOTA Corporation has grown to rank as one of the major firms in Japan.

To achieve this status, the company has through the years diversified the range of its products and services to a remarkable extent, until today, 30 plants and 35,000 employees produce over 1,000 different items, large and small.

All these products and all the services which accompany them, however, are unified by one central commitment. KUBOTA makes products which, taken on a national scale, are basic necessities. Products which are indispensable, products intended to help individuals and nations fulfill the potential inherent in their environment. For KUBOTA is the Basic Necessities Giant.

This potential includes water supply, food from the soil and from the sea, industrial development, architecture, construction and transportation.

Thousands of people depend on KUBOTA's know-how, technology, experience and customer service. You too can depend on KUBOTA.

California Proposition 65

⚠ WARNING ⚠

Engine exhaust, some of its constituents, certain vehicle components and fluids, contain or emit chemicals known to the State of California to cause cancer and birth defects or other reproductive harm.

IMPORTANT


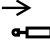










The engine in this machine is not equipped by the manufacturer with a standard spark arrester. It is a violation of California Public Resource Code Section 4442 to use or operate this engine on or near any forest-covered, brush-covered land, or grass-covered land unless the exhaust system is equipped with a working spark arrester meeting state laws. Other states or federal areas may have similar laws.

The above "IMPORTANT" text for the spark arrester is applicable to Model B2650 alone.

**Canadian Electromagnetic Compatibility (EMC):
This machine complies with Industry Canada ICES-002.**

UNIVERSAL SYMBOLS

As a guide to the operation of your tractor, various universal symbols have been utilized on the instruments and controls. The symbols are shown below with an indication of their meaning.

	Safety Alert Symbol		Remote Cylinder-Retract
	Diesel Fuel		Remote Cylinder-Extend
	Fuel-Level		Steering Wheel-Tilt Control
	Engine-Rotational Speed		Audible Warning Device
	Hourmeter/Elapsed Operating Hours		Lock
	Engine Coolant-Temperature		Unlock
	Brake System		Hazard Warning Lights
	Clutch		Headlight
	Parking Brake		Working Light
	Battery Charging Condition		4 Wheel Drive-On
	Engine Oil-Pressure		4 Wheel Drive-Off
	Turn Signal		Fast
	Engine-Stop		Slow
	Engine-Run		Front Wiper / Washer Switch
	Diesel Preheat/Glow Plugs(Low Temperature Start Aid)		Rear Wiper / Washer Switch
	Starter Control		Rear Window Defroster
	Power Take-Off Control-Off Position (Disengaged)		Read Operator's Manual
	Power Take-Off Control-On Position (Engaged)		Tractor-Forward Movement-Overhead View of Machine
	Differential Lock		Tractor-Rearward Movement-Overhead View of Machine
	Position Control-Raised Position		Engine Speed Control
	Position Control-Lowered Position		Regeneration
	Engine Warning		DPF INHIBIT (Switch)
	3-Point Lowering Speed Control		Parked Regeneration (Switch)
			Parked Regeneration
			Master System Warning

FOREWORD

You are now the proud owner of a KUBOTA Tractor. This tractor is a product of KUBOTA quality engineering and manufacturing. It is made of fine materials and under a rigid quality control system. It will give you long, satisfactory service. To obtain the best use of your tractor, please read this manual carefully. It will help you become familiar with the operation of the tractor and contains many helpful hints about tractor maintenance. It is KUBOTA's policy to utilize as quickly as possible every advance in our research. The immediate use of new techniques in the manufacture of products may cause some small parts of this manual to be outdated. KUBOTA distributors and dealers will have the most up-to-date information. Please do not hesitate to consult with them.



SAFETY FIRST

This symbol, the industry's "Safety Alert Symbol", is used throughout this manual and on labels on the machine itself to warn of the possibility of personal injury. Read these instructions carefully. It is essential that you read the instructions and safety regulations before you attempt to assemble or use this unit.



DANGER : Indicates an imminently hazardous situation which, if not avoided, will result in death or serious injury.



WARNING : Indicates a potentially hazardous situation which, if not avoided, could result in death or serious injury.



CAUTION : Indicates a potentially hazardous situation which, if not avoided, could result in minor or moderate injury.

IMPORTANT : Indicates that equipment or property damage could result if instructions are not followed.

NOTE : Gives helpful information.

CONTENTS

▲ SAFE OPERATION	▲ -1
SERVICING OF TRACTOR.....	1
SPECIFICATIONS.....	3
SPECIFICATION TABLE	3
TRAVELING SPEEDS	5
IMPLEMENT LIMITATIONS	6
INSTRUMENT PANEL AND CONTROLS.....	8
PRE-OPERATION CHECK	11
DAILY CHECK	11
OPERATING THE ENGINE.....	12
EXHAUST AFTERTREATMENT DEVICES.....	12
Diesel Oxidation Catalyst and Diesel Particulate Filter (DPF) Muffler	12
Handling Points.....	13
DPF Regeneration Process	13
Regeneration Operating Procedure.....	14
PM Warning Level and Required Procedures	15
Regeneration Operating Procedure.....	17
PM Warning Level and Required Procedures	18
Tips on DPF Regeneration	21
STARTING THE ENGINE	21
Block Heater (Option).....	24
STOPPING THE ENGINE.....	25
WARMING UP	25
Warm-up Transmission Oil at Low Ambient Temperatures	25
JUMP STARTING	26
OPERATING THE TRACTOR.....	27
OPERATING NEW TRACTOR	27
Do not Operate the Tractor at Full Speed for the First 50 Hours.....	27
Changing Lubricating Oil for New Tractors.....	27
BOARDING AND LEAVING THE TRACTOR	27
OPERATING FOLDABLE ROPS	27
To Fold the ROPS	27
To Raise the ROPS to Upright Position.....	28
Adjustment of Foldable ROPS.....	29
STARTING	29
Operator's Seat.....	29
Seat Belt.....	30
Tilt Steering Adjustment.....	30
Head Light / Turn Signal / Hazard Light Switch	31
Tractor Lights.....	32
Brake Pedals (Right and Left).....	32
Range Gear Shift Lever (L-M-H).....	33
Front Wheel Drive Lever.....	34

Hand Throttle Lever	34
Parking Brake	34
Speed Control Pedal.....	35
Speed Set Device	35
STOPPING.....	36
Stopping.....	36
CHECK DURING DRIVING	36
Immediately Stop the Engine if:	36
Easy Checker (TM).....	36
LCD MONITOR.....	37
Fuel Gauge.....	37
Coolant Temperature Gauge	37
Hourmeter / Tachometer.....	38
Changing Display Mode.....	38
PARKING	39
Parking.....	39
OPERATING TECHNIQUES	39
Differential Lock.....	39
Operating the Tractor on a Road	40
Operating on Slopes or Rough Terrain.....	40
Transport the Tractor Safely	40
Directions for Use of Power Steering.....	40
Electrical Outlet.....	41
PTO	42
PTO OPERATION.....	42
PTO Select Lever	42
PTO Clutch Lever	43
PTO Clutch Lever	43
LCD Monitor Message.....	44
Stationary PTO	44
3-POINT HITCH & DRAWBAR.....	45
3-POINT HITCH.....	47
Selecting the holes of lifting rods and lower links	47
Selecting the Top Link Mounting Holes	47
Drawbar	47
Lifting Rod (Right).....	47
Top Link.....	47
Telescopic Stabilizers	48
Check Chains	48
DRAWBAR.....	49
Adjusting Drawbar Length	49
HYDRAULIC UNIT.....	50
3-POINT HITCH CONTROL SYSTEM.....	50
Position Control	50
Hydraulic Control	50
3-point Hitch Lowering Speed.....	51
AUXILIARY HYDRAULICS	51
Hydraulic Block Type Outlet	51
DUAL REMOTE HYDRAULIC CONTROL SYSTEM.....	52
Control Lever and Hydraulic Hose Connections.....	52

Loader / Remote Control Valve Lever	52
Valve Lock	53
Hydraulic Control Unit Use Reference Chart	54
TIRES, WHEELS AND BALLAST	55
TIRES	55
Inflation Pressure	55
Dual Tires	55
WHEEL ADJUSTMENT	55
Front Wheels	55
Rear Wheels	56
Treads	57
BALLAST	58
Front Ballast	58
Rear Ballast	58
MAINTENANCE	59
SERVICE INTERVALS	59
LUBRICANTS, FUEL AND COOLANT	61
Biodiesel Fuel (BDF)	63
PERIODIC SERVICE	65
WASTE DISPOSAL	65
HOW TO OPEN THE HOOD	65
Hood	65
Engine Side Cover	66
DAILY CHECK	66
Walk Around Inspection	67
Checking and Refueling	67
Checking Engine Oil Level	67
Checking Transmission Fluid Level	68
Checking Coolant Level	68
Cleaning Evacuator Valve	69
Checking Air Inlet Pipe	69
Cleaning Grill and Radiator Screen	69
Checking DPF Muffler	70
Checking Brake Pedal	70
Checking Gauges, Meter and Easy Checker (TM)	70
Checking Head Light, Hazard Light etc.	70
Checking Seat Belt and ROPS	70
Checking and Cleaning of Electrical Wiring and Battery Cables	70
Checking Movable Parts	70
EVERY 50 HOURS	71
Lubricating Grease Fittings	71
Checking Engine Start System	71
Checking Wheel Bolt Torque	72
EVERY 100 HOURS	72
Checking Battery Condition	72
Cleaning Air Cleaner Primary Element	74
Cleaning Fuel Filter	75
Adjusting Fan Belt Tension	76
Adjusting Brake Pedal	76
EVERY 200 HOURS	77

Replacing Engine Oil Filter	77
Changing Engine Oil.....	77
Replacing Transmission Oil Filter [HST].....	78
Adjusting Toe-in.....	79
EVERY 400 HOURS	79
Changing Transmission Fluid	79
Replacing Hydraulic Oil Filter	80
Adjusting Front Axle Pivot [4WD].....	81
Replacing Fuel Filter Element.....	81
Changing Front Axle Case Oil	82
EVERY 800 HOURS	82
Adjusting Engine Valve Clearance	82
EVERY 1 000 HOURS or 1 YEAR	82
Replacing Air Cleaner Primary Element and Secondary Element.....	82
EVERY 1 500 HOURS	82
Checking Fuel Injection Nozzle Injection Pressure.....	82
EVERY 2 000 HOURS or 2 YEARS.....	82
Flushing Cooling System and Changing Coolant	82
Anti-Freeze	83
EVERY 3 000 HOURS	84
Checking Injection Pump.....	84
Checking Turbocharger	84
EVERY 1 YEAR	84
Checking Radiator Hoses and Clamps.....	84
Checking Intake Air Line.....	85
Checking Fuel Lines	85
Checking Exhaust manifold	85
EVERY 4 YEARS	86
Replacing Radiator Hose (Water pipes)	86
Replacing Fuel Lines	86
Replacing Intake Air Line.....	86
Replacing Differential Pressure Sensor Hose	86
SERVICE AS REQUIRED.....	86
Bleeding Fuel System.....	86
Draining Clutch Housing Water	86
Replacing Fuse.....	87
Replacing Light Bulb.....	88
Replacing Radiator Hose (Water pipes)	88
Replacing Fuel Lines	88
Replacing Intake Air Line.....	88
STORAGE	89
TRACTOR STORAGE	89
REMOVING THE TRACTOR FROM STORAGE.....	89
TROUBLESHOOTING.....	90
ENGINE TROUBLESHOOTING	90
POWER TRAIN TROUBLE SHOOTING.....	91
OPTIONS.....	92
APPENDICES.....	93
INDEX	93



SAFE OPERATION

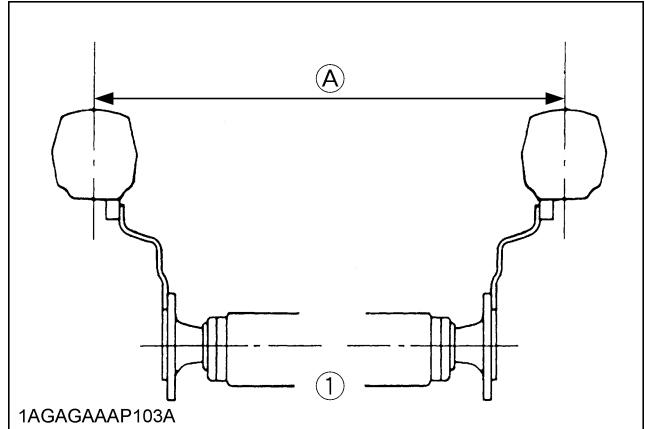
Careful operation is your best insurance against an accident.

Read and understand this manual carefully before operating the tractor.

All operators, no matter how much experience they may have, should read this and other related manuals before operating the tractor or any implement attached to it. It is the owner's obligation to instruct all operators in safe operation.

1. BEFORE OPERATING THE TRACTOR

1. Know your equipment and its limitations. Read this entire manual before attempting to start and operate the tractor.
2. Pay special attention to the danger, warning and caution labels on the tractor.
3. Do not operate the tractor or any implement attached to it while under the influence of alcohol, medication, controlled substances or while fatigued.
4. Before allowing other people to use your tractor, explain how to operate and have them read this manual before operation.
5. Never wear loose, torn, or bulky clothing around tractor. It may catch on moving parts or controls, leading to the risk of an accident. Use additional safety items, e.g. hard hat, safety boots or shoes, eye and hearing protection, gloves, etc., as appropriate or required.
6. Do not allow passengers to ride on any part of the tractor at anytime. The operator must remain in the tractor seat during operation.
7. Check brakes, clutch, linkage pins and other mechanical parts for improper adjustment and wear. Replace worn or damaged parts promptly. Check the tightness of all nuts and bolts regularly. (For further details, see "MAINTENANCE" section.)
8. Keep your tractor clean. Dirt, grease, and trash build up may contribute to fires and lead to personal injury.
9. Use only implements meeting the specifications listed under "IMPLEMENT LIMITATIONS" in this manual or implements approved by KUBOTA.
10. Use proper weights on the front or rear of the tractor to reduce the risk of upsets. When using the front loader, put an implement or ballast on the 3-point hitch to improve stability. Follow the safe operating procedures specified in the implement or attachment manual.
11. The narrower the tread, the greater the risk of a tractor upset. For maximum stability, adjust the wheels to the widest practical tread width for your application. (See "TIRES, WHEELS AND BALLAST" section.)



(1) Rear wheels

(A) Tread Width

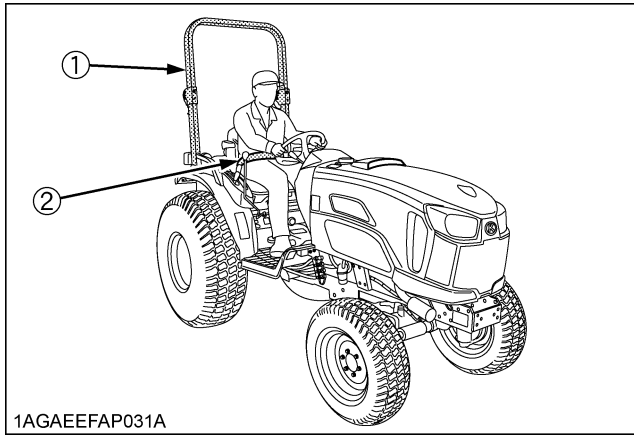
12. Do not modify the tractor. Unauthorized modification may affect the function of the tractor, which may result in personal injury.

◆ CAB, ROPS

1. KUBOTA recommends the use of a CAB or Roll Over Protective Structures (ROPS) and seat belt in almost all applications. This combination will reduce the risk of serious injury or death, should the tractor be upset. Check for overhead clearance which may interfere with a CAB or ROPS.
2. Set parking brake and stop engine. Remove any obstruction that may prevent raising or folding of the ROPS. Do not allow any bystanders. Always perform function from a stable position at the rear of the tractor. Hold the top of the ROPS securely when raising or folding. Make sure all pins are installed and locked.
3. If the CAB or ROPS is loosened or removed for any reason, make sure that all parts are reinstalled correctly before operating the tractor.
4. Never modify or repair any structural member of a CAB or ROPS because welding, bending, drilling, grinding, or cutting may weaken the structure.
5. If any structural member of the CAB or ROPS is damaged, replace the entire structure at your local KUBOTA Dealer.
6. If the tractor is equipped with a foldable ROPS it may be temporarily folded down only when absolutely necessary for areas with height constraints. (There is no operator protection provided by the ROPS in the folded position. For operator safety the ROPS should be placed in the upright and locked position and the seat belt fastened for all other operations.)

7. Always use the seat belt if the tractor has a CAB or ROPS.

Do not use the seat belt if a foldable ROPS is down or there is no ROPS. Check the seat belt regularly and replace if frayed or damaged.



1AGAEFAP031A

- (1) ROPS
- (2) Seat belt

2. OPERATING THE TRACTOR

Operator safety is a priority. Safe operation, specifically with respect to overturning hazards, entails understanding the equipment and environmental conditions at the time of use. Some prohibited uses which can affect overturning hazards include traveling and turning with implements and loads carried too high etc. This manual sets forth some of the obvious risks, but the list is not, and cannot be, exhaustive. It is the operator's responsibility to be alert for any equipment or environmental condition that could compromise safe operation.

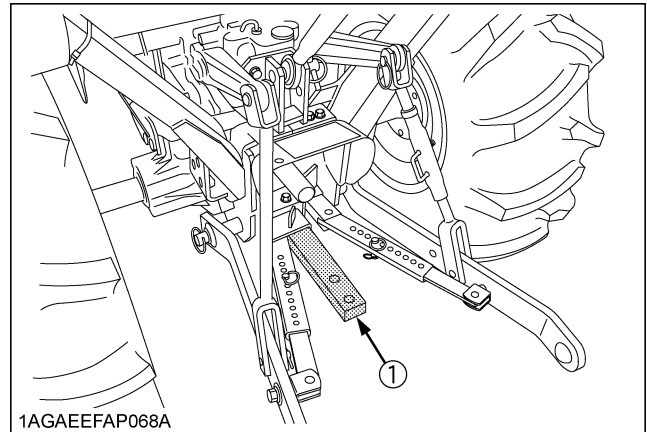
◆ Starting

1. Always sit in the operator's seat when starting engine or operating levers or controls. Adjust seat per instructions in the operating the tractor section. Never start engine while standing on the ground.
2. Before starting the engine, make sure that all levers (including auxiliary control levers) are in their neutral positions, that the parking brake is engaged, and that both the clutch and the Power Take-Off (PTO) are disengaged or "OFF".
Fasten the seat belt if the tractor has a CAB or a foldable ROPS in the upright and locked position.
3. Do not start engine by shorting across starter terminals or bypassing the safety start switch. Machine may start in gear and move if normal starting circuitry is bypassed.
4. Do not operate or idle engine in a non-ventilated area. Carbon monoxide gas is colorless, odorless, and deadly.

5. Check before each use that operator presence controls are functioning correctly. Test safety systems. (See "Checking Engine Start System" in "EVERY 50 HOURS" in "PERIODIC SERVICE" section.)
Do not operate unless they are functioning correctly.

◆ Working

1. Pull only from the drawbar. Never hitch to axle housing or any other point except drawbar; such arrangements will increase the risk of serious personal injury or death due to a tractor upset.



1AGAEFAP068A

- (1) Drawbar

2. For trailing PTO-driven implements, set the drawbar to the towing position.
3. Attach pulled or towed loads to the drawbar only.
4. Keep all shields and guards in place. Replace any that are missing or damaged.
5. Avoid sudden starts. To avoid upsets, slow down when turning, on uneven ground, and before stopping.
6. The tractor cannot turn with the differential locked and attempting to do so could be dangerous.
7. Do not operate near ditches, holes, embankments, or other ground surface features which may collapse under the tractor's weight. The risk of tractor upset is even higher when the ground is loose or wet. Tall grass can hide obstacles, walk the area first to be sure.
8. Watch where you are going at all times. Watch for and avoid obstacles. Be alert at row ends, near trees, and other obstructions.
9. When working in groups, always let the others know what you are going to do before you do it.
10. Never try to get on or off a moving tractor.
11. Always sit in the operator's seat when operating levers or controls.
12. Do not stand between tractor and implement or trailed vehicle unless parking brake is applied.

◆ Safety for children

Tragedy can occur if the operator is not alert to the presence of children. Children generally are attracted to machines and the work they do.

1. Never assume that children will remain where you last saw them.

2. Keep children out of the work area and under the watchful eye of another responsible adult.
3. Be alert and shut your machine down if children enter the work area.
4. Never carry children on your machine. There is no safe place for them to ride. They may fall off and be run over or interfere with your control of the machine.
5. Never allow children to operate the machine even under adult supervision.
6. Never allow children to play on the machine or on the implement.
7. Use extra caution when backing up. Look behind and down to make sure area is clear before moving.

◆ Operating on slopes

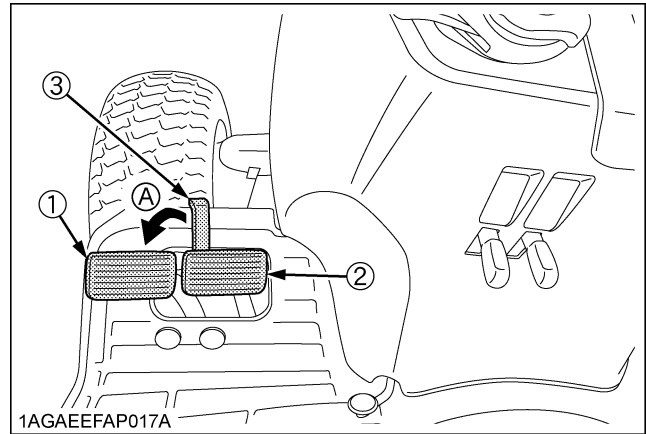
Slopes are a major factor related to loss-of-control and tip-over accidents, which can result in severe injury or death. All slopes require extra caution.

1. To avoid upsets, always back up steep slopes. If you cannot back up the slope or if you feel uneasy on it, do not operate on it. Stay off slopes too steep for safe operation.
2. Driving forward out of a ditch, mired condition or up a steep slope increases the risk of a tractor to be upset backward. Always back out of these situations. Extra caution is required with 4-wheel drive models because their increased traction can give the operator false confidence in the tractor's ability to climb slopes.
3. Keep all movement on slopes slow and gradual. Do not make sudden changes in speed, direction or apply brake and make sudden motions of the steering wheel.
4. Avoid disengaging the clutch or changing gears speed when climbing or going down a slope. If on a slope disengaging the clutch or changing gears to neutral could cause loss of control.
5. Special attention should be made to the weight and location of implements and loads as such will affect the stability of the tractor.
6. To improve stability on slope, set widest wheel tread as shown in "TIRES, WHEELS AND BALLAST" section.

Follow recommendations for proper ballasting.

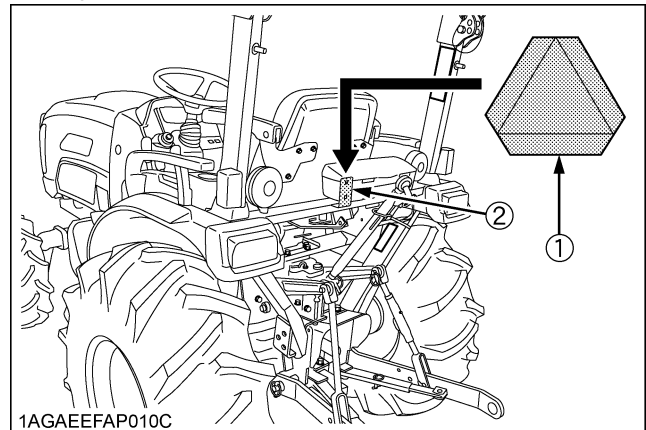
◆ Driving the tractor on the road

1. Lock the 2 brake pedals together to help assure straight-line stops. Uneven braking at road speeds could cause the tractor to tip over.



- (1) Brake Pedal (LH) (A) Whenever travelling on the road
 (2) Brake Pedal (RH)
 (3) Brake Pedal Lock

2. Check the front wheel engagement. The braking characteristics are different between 2 and 4-wheel drive. Be aware of the difference and use carefully.
3. Always slow the tractor down before turning. Turning at high speed may tip the tractor over.
4. Make sure that the Slow Moving Vehicle (SMV) sign is clean and visible. Use hazard lights and turn signals as required.

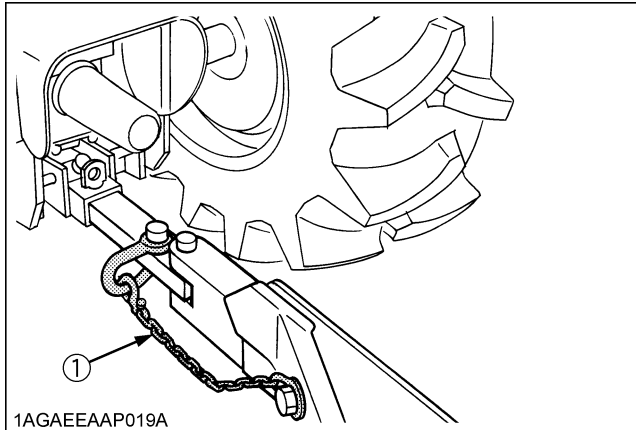


- (1) SMV emblem
 (2) Bracket

5. Observe all local traffic and safety regulations.
6. Turn the headlights on. Dim them when meeting another vehicle.
7. Drive at speeds that allow you to maintain control at all times.
8. Do not apply the differential lock while traveling at road speeds. The tractor may run out of control.
9. Avoid sudden motions of the steering wheel as they can lead to a dangerous loss of stability. The risk is especially great when the tractor is traveling at road speeds.

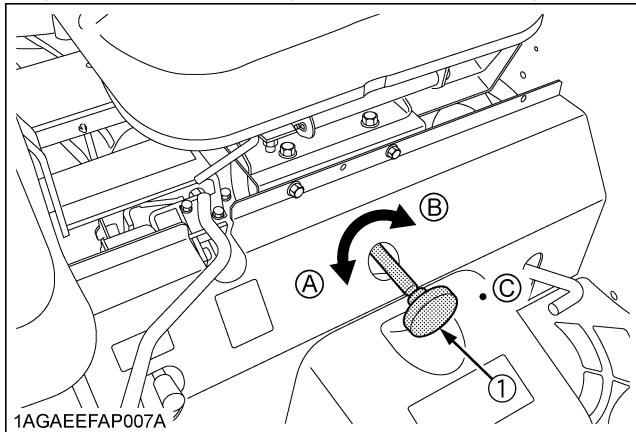
▲-4 SAFE OPERATION

10. Keep the ROPS in the "UP" position and wear the seat belt when driving the tractor on the road. Otherwise, you will not be protected in the event of a tractor roll-over.
11. Do not operate an implement while the tractor is on the road. Lock the 3-point hitch in the raised position.
12. When towing other equipment, use a safety chain and place an SMV emblem on it as well.



(1) Safety chain

13. Set the implement lowering speed knob in the "LOCK" position to hold the implement in the raised position.



(1) 3-point hitch lowering speed knob

(A) "FAST"
(B) "SLOW"
(C) "LOCK"

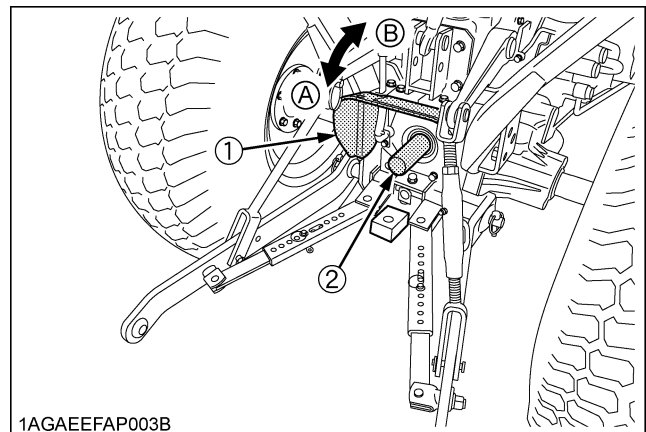
3. PARKING THE TRACTOR

1. Disengage the PTO, lower all implements to the ground, place all control levers in their neutral positions, set the parking brake, stop the engine, remove the key from the ignition and lock the cab door (if equipped). Leaving transmission in gear with the engine stopped will not prevent tractor from rolling.
2. Make sure that the tractor has come to a complete stop before dismounting.

3. Avoid parking on steep slopes, if at all possible park on a firm and level surface; if not, park across a slope and chock the wheels. Failure to comply with this warning may allow the tractor to move and could cause injury or death.

4. OPERATING THE PTO

1. Wait until all moving components have completely stopped before getting off the tractor, connecting, disconnecting, adjusting, cleaning, or servicing any PTO driven equipment.
2. Keep the PTO shaft cover in place at all times. Replace the PTO shaft cap when the shaft is not in use.



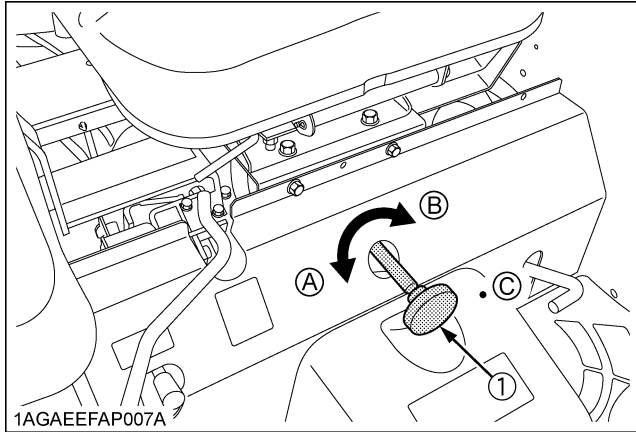
(1) PTO Shaft cover
(2) PTO Shaft cap

(A) "NORMAL POSITION"
(B) "RAISED POSITION"

3. Before installing or using PTO driven equipment, read the manufacturer's manual and review the safety labels attached to the equipment.
4. When operating stationary PTO driven equipment, always apply the tractor parking brake and place chocks behind and in front of the rear wheels. Stay clear of all rotating parts. Never step over rotating parts.

5. USING 3-POINT HITCH

1. Use the 3-point hitch only with equipment designed for 3-point hitch usage.
2. When using a 3-point hitch mounted implement, be sure to install the proper counterbalance weight on the front of the tractor.
3. When transporting on the road, set the implement lowering speed knob in the "LOCK" position to hold the implement in the raised position.



(1) 3-point hitch lowering speed knob

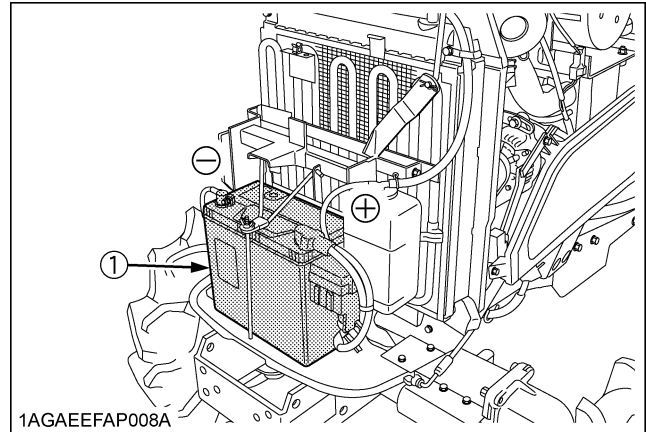
- (A) "FAST"
 (B) "SLOW"
 (C) "LOCK"

6. SERVICING THE TRACTOR

Before servicing the tractor, park it on a firm, flat and level surface, set the parking brake, lower all implements to the ground, place the gear shift lever in neutral, stop the engine and remove the key.

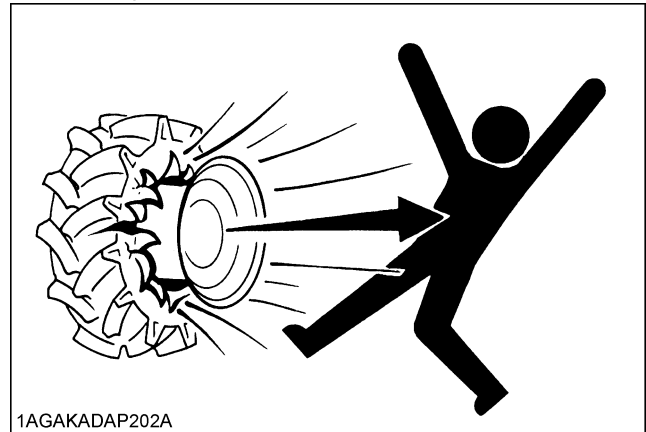
1. Allow the tractor time to cool off before working on or near the engine, muffler, radiator, etc.
2. Do not remove radiator cap while coolant is hot. When cool, slowly rotate cap to the first stop and allow sufficient time for excess pressure to escape before removing the cap completely. If the tractor has a coolant recovery tank, add coolant or water to the tank, not the radiator. (See "Checking Coolant Level" in "DAILY CHECK" in "PERIODIC SERVICE" section.)
3. Always stop the engine before refueling. Avoid spills and overfilling.
4. Do not smoke when working around battery or when refueling. Keep all sparks and flames away from battery and fuel tank. The battery presents an explosive hazard, because it gives off hydrogen and oxygen especially when recharging.
5. Before "jump starting" a dead battery, read and follow all of the instructions. (See "JUMP STARTING" in "OPERATING THE ENGINE" section.)
6. Keep first aid kit and fire extinguisher handy at all times.
7. Disconnect the battery's ground cable before working on or near electric components.
8. To avoid the possibility of battery explosion, do not use or charge the refillable type battery if the fluid level is below the LOWER (lower limit level) mark. Check the fluid level regularly and add distilled water as required so that the fluid level is between the UPPER and LOWER levels.

9. To avoid sparks from an accidental short circuit, always disconnect the battery's ground cable (-) first and reconnect it last.



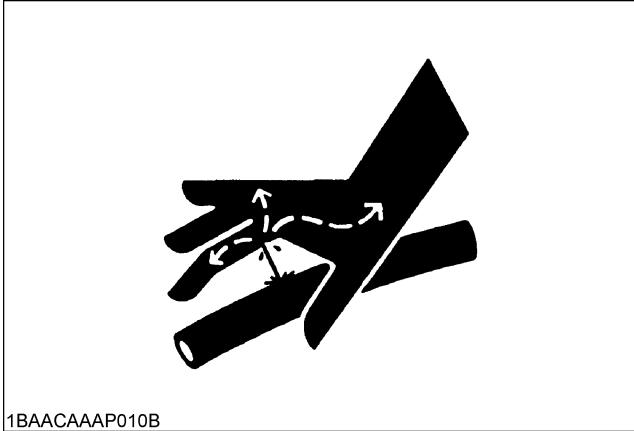
(1) Battery

10. Do not attempt to mount a tire on a rim. This should be done by a qualified person with the proper equipment.
11. Always maintain the correct tire pressure. Do not inflate tires above the recommended pressure shown in the operator's manual.

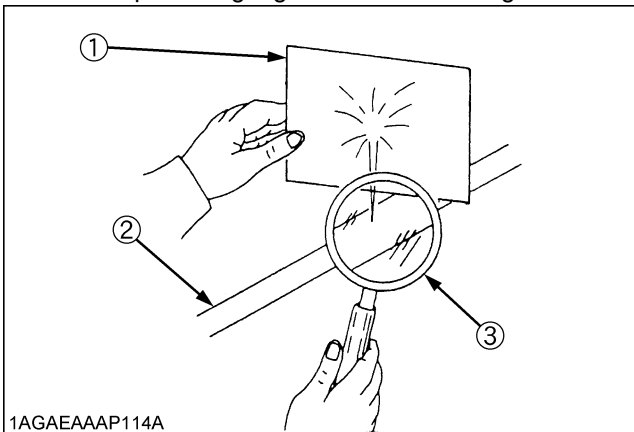


12. Securely support the tractor when either changing wheels or adjusting the wheel tread width.
13. Make sure that wheel bolts have been tightened to the specified torque.
14. Do not work under any hydraulically supported devices. They can settle, suddenly leak down, or be accidentally lowered. If it is necessary to work under tractor or any machine elements for servicing or adjustment, securely support them with stands or suitable blocking beforehand.

15. Escaping hydraulic fluid under pressure has sufficient force to penetrate skin, causing serious personal injury. Before disconnecting hydraulic lines, be sure to release all residual pressure. Before applying pressure to the hydraulic system, make sure that all connections are tight and that all lines, pipes, and hoses are free of damage.



16. Fluid escaping from pinholes may be invisible. Do not use hands to search for suspected leaks; use a piece of cardboard or wood. Use of safety goggles or other eye protection is also highly recommended. If injured by escaping fluid, see a medical doctor at once. This fluid will produce gangrene or severe allergic reaction.



- (1) Cardboard
- (2) Hydraulic line
- (3) Magnifying glass

17. The improper disposal or burning of waste causes environmental pollution and can be punishable by your local laws and regulations.

- When draining fluids from the tractor, place a container underneath the drain port.
- Do not pour waste onto the ground, down a drain, or into any water source (such as rivers, streams, lakes, marshes, seas and oceans).
- Waste products such as used oil, fuel, coolant, hydraulic fluid, urea aqueous solution (DEF/ AdBlue®), refrigerant, solvent, filters, rubber, batteries and harmful substances, can harm the environment, people, pets and wildlife.

Please dispose properly.

See your local recycling center or KUBOTA Dealer to learn how to recycle or get rid of waste products.

18. Do not open high-pressure fuel system.

High-pressure fluid remaining in fuel lines can cause serious injury. Do not disconnect nor attempt to repair fuel lines, sensors, or any other components between the high-pressure fuel pump and injectors on engines with high pressure common rail fuel system.

19. To avoid hazardous high voltage, turn the key switch to the OFF position if it is necessary to check to repair the computer, harness or connectors.

20. During Diesel Particulate Filter (hereinafter called DPF) regenerating operations, exhaust gases and exhaust filter components reach temperatures hot enough to burn people, or ignite or melt common materials.

21. Keep the tractor away from people, animals or structures which may be susceptible to harm or damage from hot exhaust gases.

22. To prevent fires, keep the DPF muffler and its surroundings clear of anything flammable and keep clean at all times.

23. During regeneration, white exhaust gas may be visible. Do not allow regeneration in a non-ventilated space.

24. During regeneration, do not leave the tractor.

7. DANGER, WARNING AND CAUTION LABELS

(1) Part No. TA240-9848-2

	<p align="center">▲ WARNING</p> <p>TO AVOID INJURY OR DEATH FROM ROLL-OVER:</p> <ul style="list-style-type: none"> • Keep Roll-Over Protective Structures (ROPS) in the upright and locked position. • Fasten SEAT BELT before operating. <p>THERE IS NO OPERATOR PROTECTION WHEN THE ROPS IS IN THE FOLDED POSITION:</p> <ul style="list-style-type: none"> • Check the operating area and fold the ROPS only when absolutely necessary. • Do not wear SEAT BELT if ROPS is folded. • Raise and lock ROPS as soon as vertical clearance allows. • Read ROPS related instructions and warnings.

1AGAEBMAP071E

(3) Part No. 6C430-4959-2

[B3350/B3350SU Only]

Do not touch hot surface like muffler, etc.

--	--

1AGAEAAAP002A

(2) Part No. 3Y205-9868-1

[B3350/B3350SU Only]

<p align="center">▲ CAUTION</p> <p>TO AVOID PERSONAL INJURY:</p> <p>When the Diesel Particulate Filter(DPF) is in the regenerating mode, the exhaust gas and the DPF muffler become hot.</p> <p>During regeneration, take into account that the muffler will be very hot and keep the machine away from other people, animals, plants, and flammable material. Also keep the area near the DPF muffler clean and away from flammable material.</p>
--

1AGAIJNAP149A

(4) Part No. 6C090-4958-2

Do not get your hands close to engine fan and fan belt.

1AGAIAZAP110A

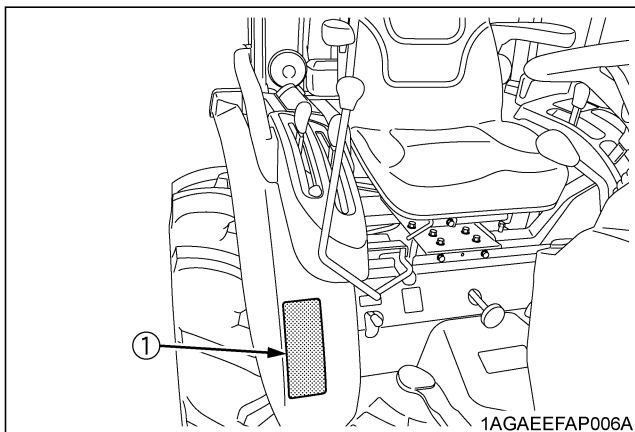
(5) Part No. TC420-4956-1

Diesel fuel only

No fire

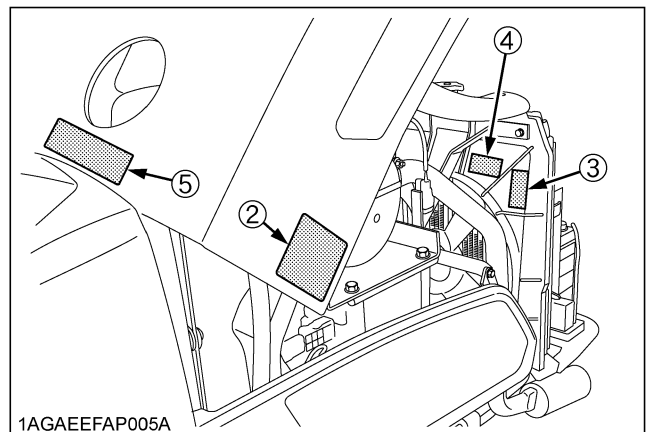
ULTRA LOW SULFUR DIESEL FUEL ONLY	

1AGAI DHAP154E




1AGAE EFAP006A

1AGAE EFAP013C



1AGAE EFAP005A

(1) Part No. 6C200-4959-1

▲WARNING	TO AVOID PERSONAL INJURY: 1. Attach pulled or towed loads to the drawbar only. 2. Use the 3-point hitch only with equipment designed for 3-point hitch usage.
	▲ WARNING TO AVOID PERSONAL INJURY: 1. Keep PTO shield in place at all times. 2. Do not operate the PTO at speeds faster than the speed recommended by the implement manufacturer. 3. For trailing PTO-driven implements, set drawbar at towing position. (see operator's manual)

1AGAECEAP013E

(2) Part No. 6C090-4958-2

Do not get your hands close to engine fan and fan belt.



1AGAZAP110A

(3) Part No. 6C430-4965-2

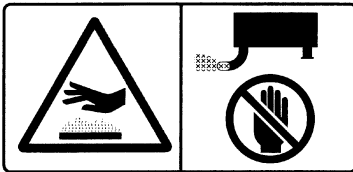
	
▲ DANGER	
TO AVOID POSSIBLE INJURY OR DEATH FROM A MACHINE RUNAWAY.	
1. Do not start engine by shorting across starter terminals or bypassing the safety start switch. Machine may start in gear and move if normal starting circuitry is bypassed.	
2. Start engine only from operator's seat with transmission and PTO OFF.	
Never start engine while standing on the ground.	

1AGAEAAAP003A

(4) Part No. 6C430-4959-2

[B2650 Only]

Do not touch hot surface like muffler, etc.



1AGAEAAAP002A

(5) Part No. 6C420-4744-1

[B2650 Only]

▲WARNING
Operation of this equipment may create sparks that can start fires around dry vegetation. A spark arrester may be required. The operator should contact local fire agencies for laws or regulations relating to fire prevention requirements.

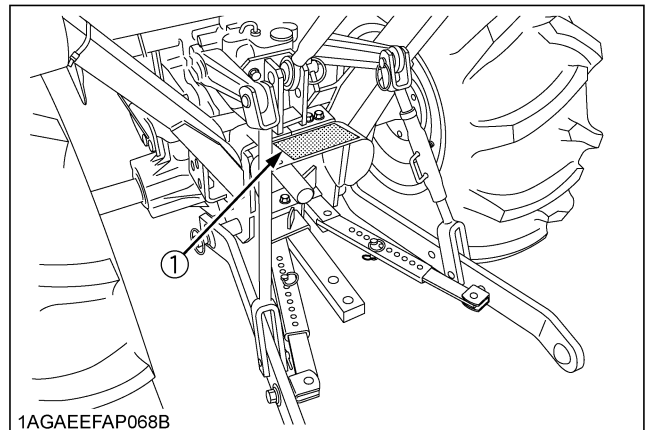
1AGAIHFAP069A

(6) Part No. 6C430-4754-1

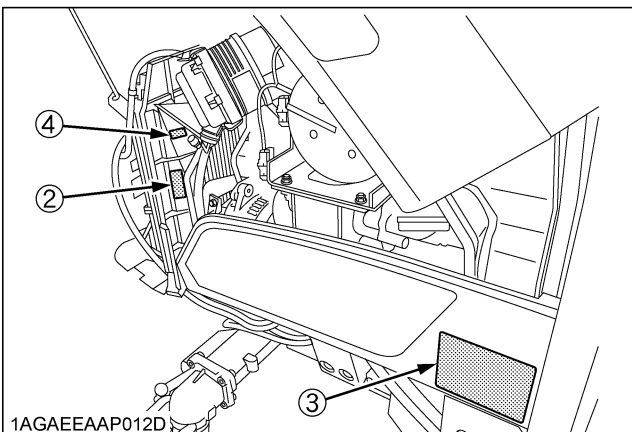
California Proposition 65

▲WARNING ▲
Engine exhaust, some of its constituents, certain vehicle components and fluids, contain or emit chemicals known to the State of California to cause cancer and birth defects or other reproductive harm.

1AGBCAAAP795A

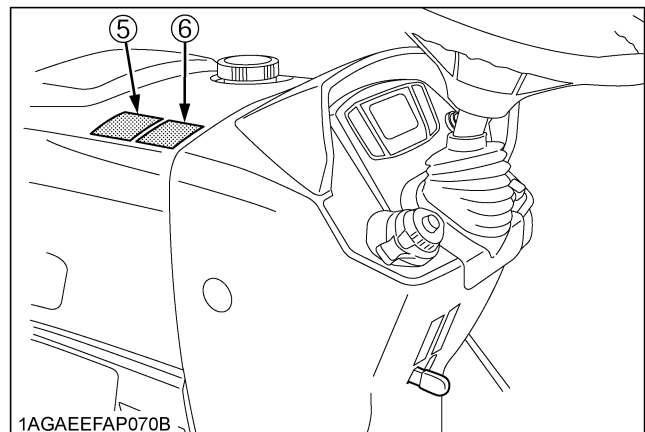


1AGAEFAP068B





1AGAEAAAP012D

1AGAEFAP014C



1AGAEFAP070B

(1) Part No. 6C300-3012-3

<p>S.O.C Indicator</p> <ul style="list-style-type: none">  OK  Charge  Replace 		<p>⚠ DANGER</p> <ul style="list-style-type: none"> - DUE TO HYDROGEN GAS GENERATED FROM BATTERY, HANDLING WITHOUT CARE CAN CAUSE FIRE AND EXPLOSION. - THIS 12V BATTERY IS ONLY FOR STARTING ENGINE. DO NOT APPLY THIS PRODUCT FOR OTHER USES. - CHARGE THIS BATTERY ONLY AT WELL VENTILATED PLACES, AND AVOID SHORTS OR SPARKS. - REFER TO THE INSTRUCTION MANUAL OF VEHICLE OR BATTERY BEFORE USING BOOSTER CABLE. - SULFURIC ACID MAY CAUSE BLINDNESS OR SEVERE BURN. IN CASE EYES, SKIN, CLOTHES OR ANY ARTICLES ARE STAINED WITH ACID, FLUSH OBJECTS IMMEDIATELY WITH WATER. IF ACID BEING SWALLOWED, DRINK PLENTY OF WATER PROMPTLY. IN CASE OF ACCIDENTAL CONTACT, CONSULT A DOCTOR IMMEDIATELY. - BATTERY FILLED WITH ACID (DO NOT TILT OR SPILL) - FLAMMABLE, DO NOT CHARGE NEAR FIRE OR SPARKS - DO NOT CHARGE RAPIDLY - DO NOT DISASSEMBLE THE BATTERY (SEALED TYPE)
<p>55B24LS 430CCA (SAE) 360CCA (EN) 12V 45Ah (20HR) RC 80 (MIN)</p>		<p>CALIFORNIA PROPOSITION 65</p> <p>⚠ WARNING: THIS PRODUCT CAN EXPOSE YOU TO CHEMICALS INCLUDING LEAD, WHICH IS KNOWN TO THE STATE OF CALIFORNIA TO CAUSE CANCER AND BIRTH DEFECTS OR OTHER REPRODUCTIVE HARM. FOR MORE INFORMATION GO TO WWW.P65WARNINGS.CA.GOV</p> 

1AGAEBQAP1100

(2) Part No. 6C430-4742-1

⚠ CAUTION

TO AVOID PERSONAL INJURY:

1. Read and understand the operator's manual before operation.
2. Before starting the engine, make sure that everyone is at a safe distance from the tractor and that the PTO is OFF.
3. Do not allow passengers on the tractor at any time.
4. Before allowing other people to use the tractor, have them read the operator's manual.
5. Check the tightness of all nuts and bolts regularly.
6. Keep all shields in place and stay away from all moving parts.
7. Lock the two brake pedals together before driving on the road.
8. Slow down for turns, or rough roads, or when applying individual brakes.
9. On public roads use SMV emblem and hazard lights, if required by local traffic and safety regulations.
10. Pull only from the drawbar.
11. Before dismantling, lower the implement to the ground, set the parking brake, stop the engine and remove the key.
12. Securely support tractor and implements before working underneath.

1AGAEBMAP068E

(3) Part No. 6C410-4743-1

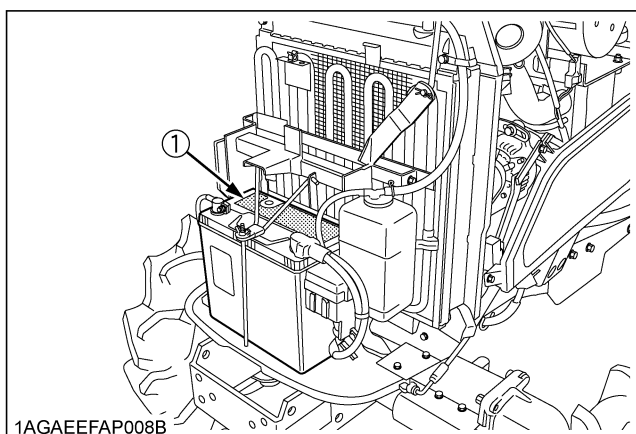
⚠ WARNING



BEFORE DISMOUNTING TRACTOR:

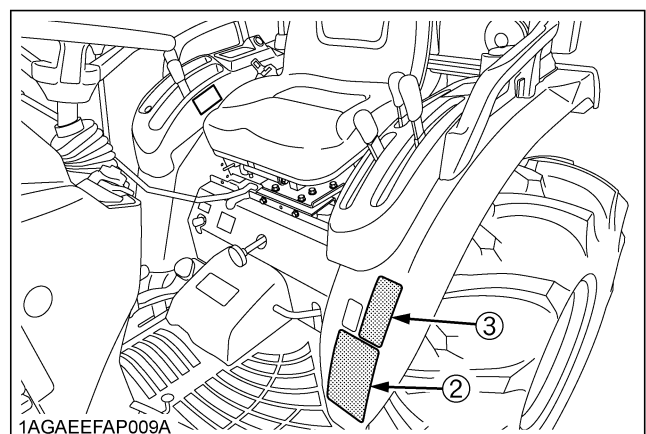
1. ALWAYS SET PARKING BRAKE.
Leaving transmission in gear with the engine stopped will not prevent tractor from rolling.
2. PARK ON LEVEL GROUND WHENEVER POSSIBLE.
If parking on a slope, position tractor across the slope.
3. LOWER ALL IMPLEMENTS TO THE GROUND.
4. STOP THE ENGINE.

1AGAEBMAP069E



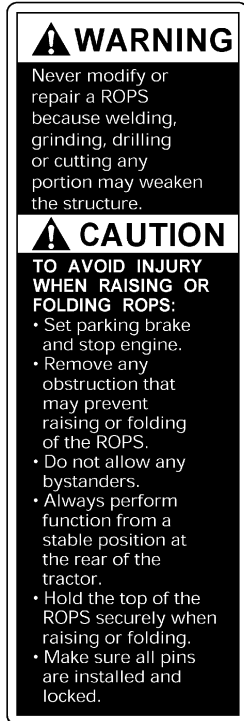
1AGAEFAP008B

1AGAEFAP015C

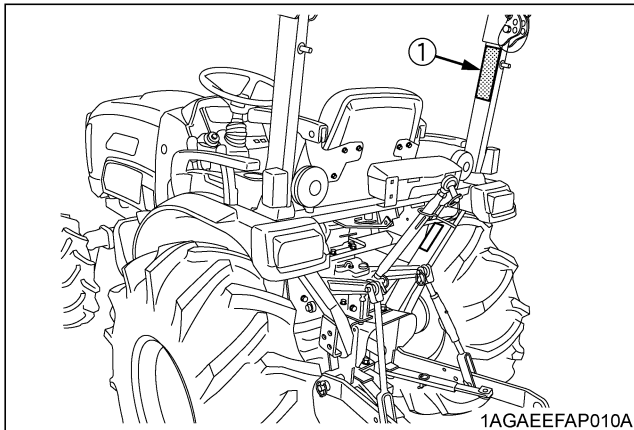


1AGAEFAP009A

(1) Part No. 3A111-9554-1



1AGAEBMAP080E



1AGAEEFAP016A

8. CARE OF DANGER, WARNING AND CAUTION LABELS

1. Keep danger, warning and caution labels clean and free from obstructing material.
 2. Clean danger, warning and caution labels with soap and water, dry with a soft cloth.
 3. Replace damaged or missing danger, warning and caution labels with new labels from your local KUBOTA Dealer.
 4. If a component with danger, warning and caution label(s) affixed is replaced with new part, make sure new label(s) is (are) attached in the same location(s) as the replaced component.
 5. Mount new danger, warning and caution labels by applying on a clean dry surface and pressing any bubbles to outside edge.
-

SERVICING OF TRACTOR

Your dealer is interested in your new tractor and has the desire to help you get the most value from it. After reading this manual thoroughly, you will find that you can do some of the regular maintenance yourself.

However, when in need of parts or major service, be sure to see your KUBOTA Dealer.

For service, contact the KUBOTA Dealership from which you purchased your tractor or your local KUBOTA Dealer.

When in need of parts, be prepared to give your dealer the tractor, CAB/ROPS and engine serial numbers.

Locate the serial numbers now and record them in the space provided.

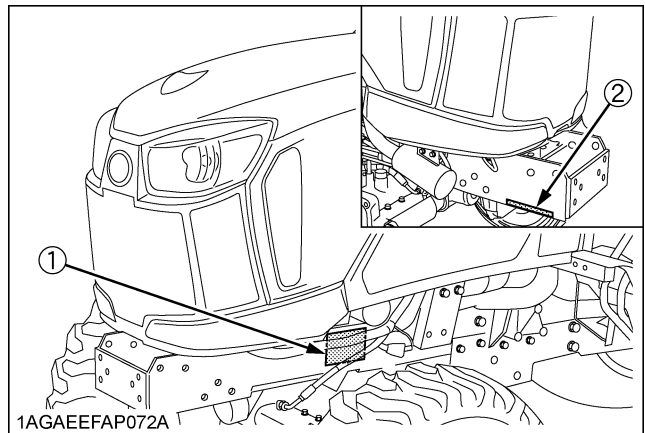
	Type	Serial No.
Tractor		
CAB / ROPS		
Engine		
Date of Purchase		
Name of Dealer		
(To be filled in by purchaser)		

◆ **Warranty**

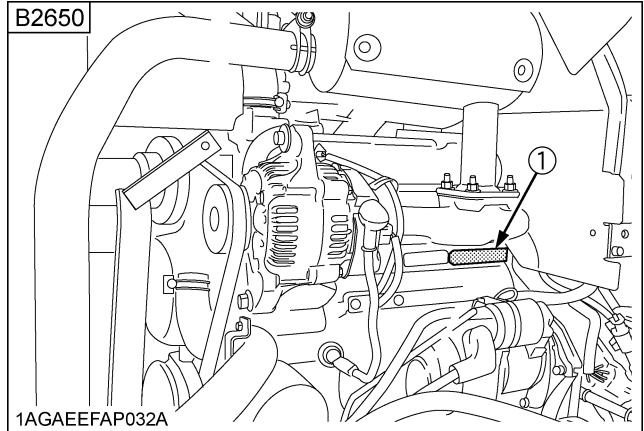
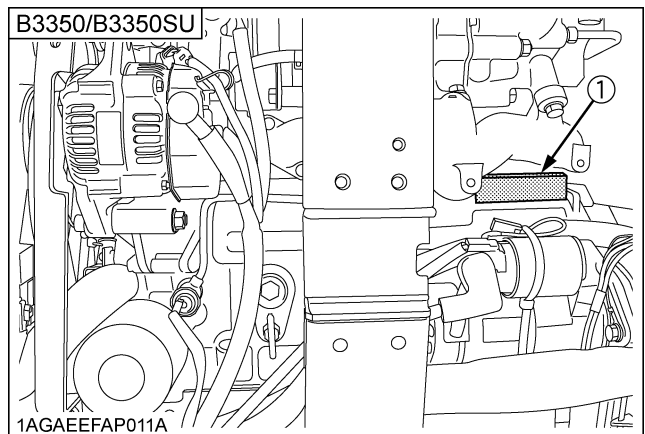
This tractor is warranted under the KUBOTA Limited Express Warranty, a copy of which may be obtained from your selling dealer. No warranty shall, however, apply if the tractor has not been handled according to the instruction given in the Operator's Manual even it is within the warranty period.

◆ **Scrapping the tractor and its procedure**

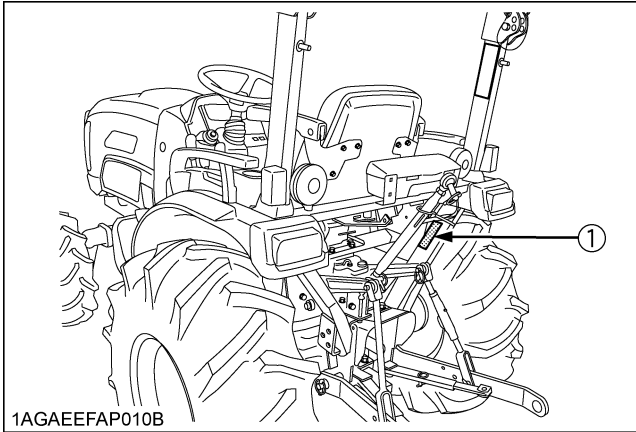
To put the tractor out of service, correctly follow the local rules and regulations of the country or territory where you scrap it. If you have questions, consult your local KUBOTA Dealer.



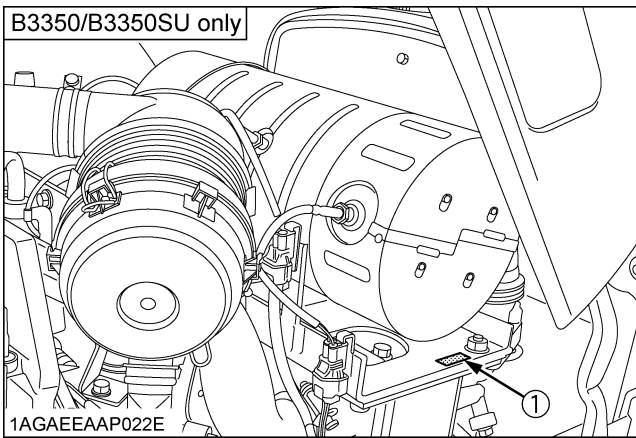
(1) Tractor identification plate
(2) Tractor serial number



(1) Engine serial number



(1) ROPS identification (ROPS Serial No.)



(1) Diesel Particulate Filter (DPF) serial number

SPECIFICATIONS

SPECIFICATION TABLE

Model			B2650HSD	B3350HSD	B3350SUHSD	
PTO power *1		kW (HP)	14.5 (19.5)	20.1 (27.0)		
Engine	Maker		KUBOTA			
	Model		D1305-E4-D26-R	V1505-T-E4-D26		
	Type		Indirect Injection. Vertical, water-cooled 4 cycle diesel			
	Number of cylinders		3	4		
	Bore and stroke	mm (in.)	∅ 78x88 (∅ 3.1x3.5)	∅ 78x78.4 (∅ 3.1x3.1)		
	Total displacement		cc (cu.in.)	1261 (77.0)	1498 (91.5)	
	Engine gross power *2		kW (HP)	18.5 (24.8)	23.0 (30.8)	
	Rated revolution		rpm	2500		
	Low idling revolution		rpm	1100		
	Maximum torque		N-m (ft-lb)	84.0 (62.0)	105.4 (77.7)	
	Battery		12V, RC : 80min, CCA : 430A			
Capacities	Fuel tank	L (U.S.gals.)	27 (7.1)			
	Engine crankcase (with filter)	L (U.S.qts.)	4.0 (4.2)	4.8 (5.1)		
	Engine coolant	L (U.S.qts.)	4.3 (4.5)			
	Transmission case	L (U.S.gals.)	15 (4.0)			
Dimensions	Overall length (without 3P)		mm (in.)	2570 (101.2)		
	Overall width (min. tread)		mm (in.)	1365 (53.7)		
	Overall height		mm (in.)	2245 (88.4)		
	Wheel base		mm (in.)	1666 (65.6)		
	Minimum ground clearance		mm (in.)	370 (14.6)		
	Tread	Front	mm (in.)	935 (36.8)		
Rear		mm (in.)	1050 (41.3)			
Weight		kg (lbs.)	810 (1786)	860 (1896)	850 (1874)	
Clutch			Not applicable			
Traveling system	Tires	Front	7-12			
		Rear	12.4-16			
	Steering		Hydrostatic type power steering			
	Transmission		Main-hydrostatic transmission, 3 range gear shift (3 forward, 3 reverse)			
	Brake		Wet disk type			
Minimum turning radius (with brake)		m (feet)	2.1 (6.9)			

4 SPECIFICATIONS

Model			B2650HSD	B3350HSD	B3350SUHSD
Hydraulic unit	Hydraulic control system		Position control		Quarter inching valve
	Pump capacity	L / min (gals / min)	33.1 (8.7)		
	3-point hitch		SAE Category 1		
	Max. lift force	At lift points	kg (lbs.)	970 (2139)	
		24 in.behind lift point	kg (lbs.)	760 (1676)	
PTO	Rear-PTO		SAE 1-3/8, 6 splines		
	PTO / Engine speed	rpm	1 speed 540 / 2398		
	Mid-PTO		USA No. 5 (KUBOTA 10-tooth) involute spline	-	
	PTO / Engine speed	rpm	1 speed 2500 / 2500	-	

NOTE: *1 manufacturer's estimate The company reserves the right to change the specifications without notice.

*2 SAE J1995

The engine output value indicated on the EPA exhaust gas label is the ISO 8178 net value without a cooling fan. B2650HSD: 18.2kW, B3350HSD: 22.7kW, B3350SUHSD: 22.7kW

TRAVELING SPEEDS

(At rated engine rpm)

Model		B2650HSD			
Tire size (Rear)		12.4 - 16 Farm		13.6 - 16 Turf	
	Range gear shift lever	km / h	mph	km / h	mph
Forward	Low	0 to 5.7	0 to 3.6	0 to 6.0	0 to 3.7
	Middle	0 to 8.5	0 to 5.3	0 to 8.9	0 to 5.5
	High	0 to 18.0	0 to 11.2	0 to 18.9	0 to 11.7
Reverse	Low	0 to 4.3	0 to 2.7	0 to 4.5	0 to 2.8
	Middle	0 to 6.4	0 to 3.9	0 to 6.7	0 to 4.1
	High	0 to 13.5	0 to 8.4	0 to 15.0	0 to 8.8

Model		B3350HSD/B3350SUHSD			
Tire size (Rear)		12.4 - 16 Farm		13.6 - 16 Turf	
	Range gear shift lever	km / h	mph	km / h	mph
Forward	Low	0 to 5.7	0 to 3.6	0 to 6.0	0 to 3.7
	Middle	0 to 9.3	0 to 5.8	0 to 9.8	0 to 6.1
	High	0 to 21.9	0 to 13.6	0 to 23.0	0 to 14.3
Reverse	Low	0 to 4.3	0 to 2.7	0 to 4.5	0 to 2.8
	Middle	0 to 7.0	0 to 4.3	0 to 7.3	0 to 4.5
	High	0 to 16.5	0 to 10.3	0 to 17.3	0 to 10.7

Model		B3350HSD/B3350SUHSD			
Tire size (Rear)		12.4 - 16 Industry		15.0 - 19.5 Industry	
	Range gear shift lever	km / h	mph	km / h	mph
Forward	Low	0 to 5.6	0 to 3.5	0 to 6.1	0 to 3.8
	Middle	0 to 9.1	0 to 5.7	0 to 10.1	0 to 6.3
	High	0 to 21.4	0 to 13.3	0 to 23.7	0 to 14.7
Reverse	Low	0 to 4.2	0 to 2.6	0 to 4.6	0 to 2.9
	Middle	0 to 6.8	0 to 4.2	0 to 7.6	0 to 4.7
	High	0 to 16.1	0 to 10.0	0 to 17.8	0 to 11.1

The company reserves the right to change the specification without notice.

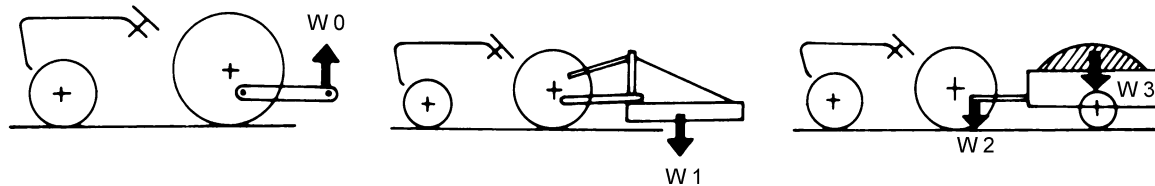
IMPLEMENT LIMITATIONS

The KUBOTA Tractor has been thoroughly tested for proper performance with implements sold or approved by KUBOTA. Use with implements which are not sold or approved by KUBOTA and which exceed the maximum specifications listed below, or which are otherwise unfit for use with the KUBOTA Tractor may result in malfunctions or failures of the tractor, damage to other property and injury to the operator or others. (Any malfunctions or failures of the tractor resulting from use with improper implements are not covered by the warranty.)

Tread (max. width) with farm tires		Lower link end max. loading weight W 0
Front	Rear	
935 mm (36.8 in.)	1050 mm (41.3 in.)	360 kg (800 lbs.)

Actual figures		
Implement weight W 1 and / or size	Max. Drawbar Load W 2	Trailer loading weight W 3 Max. capacity
As in the following list (Shown on the next page)	500 kg (1100 lbs.)	1500 kg (3300 lbs.)

Lower link end max. loading weight.....The max. allowable load which can be put on the lower link end : W 0
 Implement weight.....The implement's weight which can be put on the lower link : W 1
 Max. drawbar load.....W 2
 Trailer loading weightThe max. loading weight for trailer (without trailer's weight) : W 3



1AGAIAZAP121B

NOTE :

- Implement size may vary depending on soil operating conditions.
- Strictly follow the instructions outlined in the operator's manual of the mounted or trailed machinery or trailer, and do not operate the combination tractor - machine or tractor - trailer unless all instructions have been followed.
- Forestry Application
 Following hazards exist;
 - (a) toppling trees, primarily in case a rear-mounted tree grab-crane is mounted at the rear of the tractor;
 - (b) penetrating objects in the operator's enclosure, primarily in case a winch is mounted at the rear of the tractor.
 Optional equipments such as OPS (Operator Protective Structure), FOPS (Falling Object Protective Structure), etc. to deal with these hazards and other related hazards are not available for this tractor. Without such optional equipment use is limited to tractor specific applications like transport and stationary work.

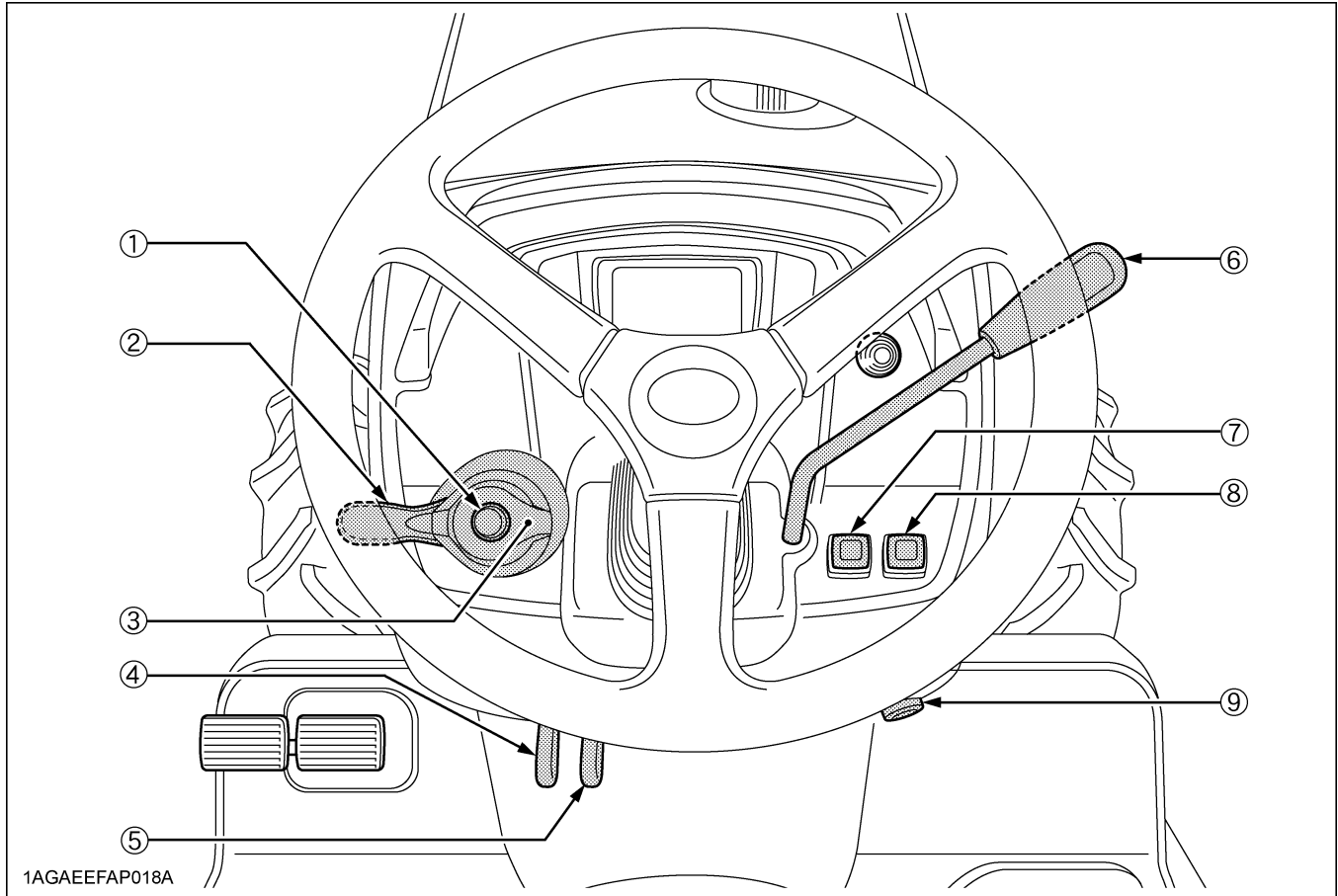
Implement		Remarks		B2650 / B3350 / B3350SU
Mower	Mid-mount	Max. cutting width Max. weight	mm (in.) kg (lbs.)	1830 (72) 205 (451)
	Rotary-cutter (1 Blade)	Max. cutting width Max. weight	mm (in.) kg (lbs.)	1220 (48) 227 (500)
	Rear-mount (2 or 3 Blades)	Max. cutting width Max. weight	mm (in.) kg (lbs.)	1830 (72) 227 (500)
	Flail-mower	Max. cutting width	mm (in.)	1220 (48)
	Sickle bar	Max. cutting width	mm (in.)	1524 (60)
Rotary tiller		Max. tilling width Max. weight Slip clutch	mm (in.) kg (lbs.)	1270 (50) 250 (550) Necessary
Bottom plow		Max. size	mm (in.)	305 (12) x 2
Disc plow		Max. size	mm (in.)	559 (22) x 2
Cultivator		Max. size	mm (in.)	1524 (60) 1 Row
Disc harrow		Max. harrowing width Max. weight	mm (in.) kg (lbs.)	1676 (66) 250 (550)
Sprayer		Max. tank capacity	L (U.S.gals.)	246 (65)
Front blade		Max. cutting width Sub frame	mm (in.)	1676 (66) Necessary
Rear blade		Max. cutting width Max. weight	mm (in.) kg (lbs.)	1676 (66) 250 (550)
Front loader		Max. lifting capacity Max. width	kg (lbs.) mm (in.)	420 (926) 1524 (60)
Box blade		Max. cutting width Max. weight	mm (in.) kg (lbs.)	1372 (54) 227 (500)
Back hoe		Max. digging depth Max. weight Sub frame	mm (in.) kg (lbs.)	2295 (90) 400 (880) Necessary
Snow blower		Max. working width Max. weight	mm (in.) kg (lbs.)	1542 (60) 227 (500)
Trailer		Max. load capacity Max. drawbar load	kg (lbs.) kg (lbs.)	1500 (3300) 500 (1100)

NOTE :

- Implement size may vary depending on soil operating conditions.

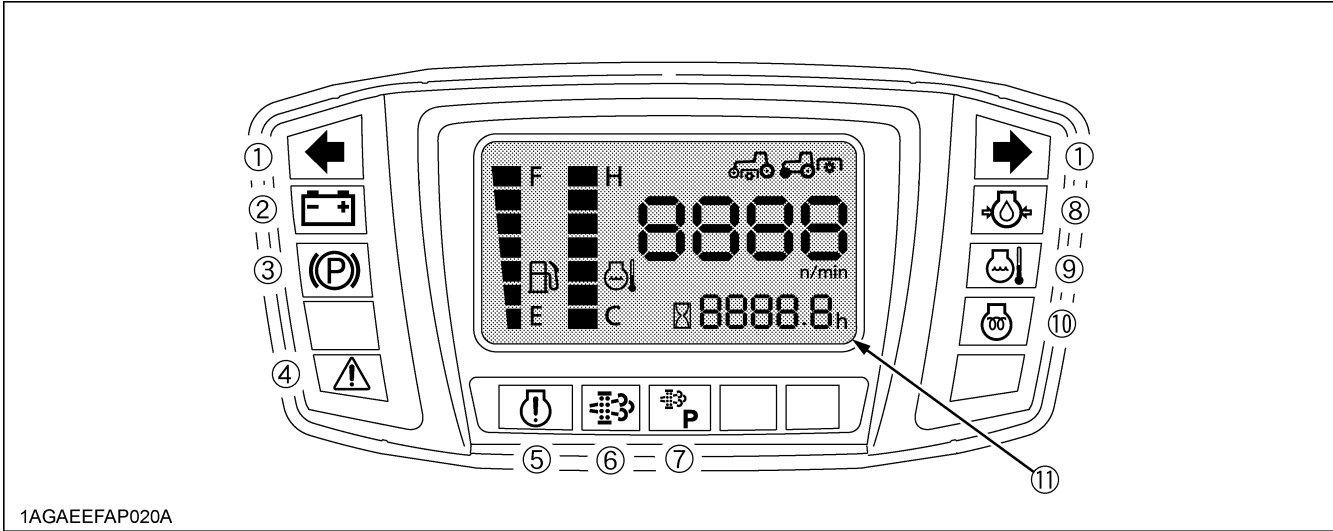
INSTRUMENT PANEL AND CONTROLS

■ Instrument Panel, Switches and Hand Controls



ILLUSTRATED CONTENTS

(1) Hazard light switch.....	31
(2) Turn signal light switch.....	31
(3) Head light switch.....	31
(4) Parking brake lever.....	39
(5) Speed set lever [B2650/B3350 only].....	35
(6) Hand throttle lever.....	34
(7) Parked regeneration switch [B3350/B3350SU only].....	12
(8) DPF INHIBIT switch [B3350/B3350SU only].....	12
(9) Key switch.....	21

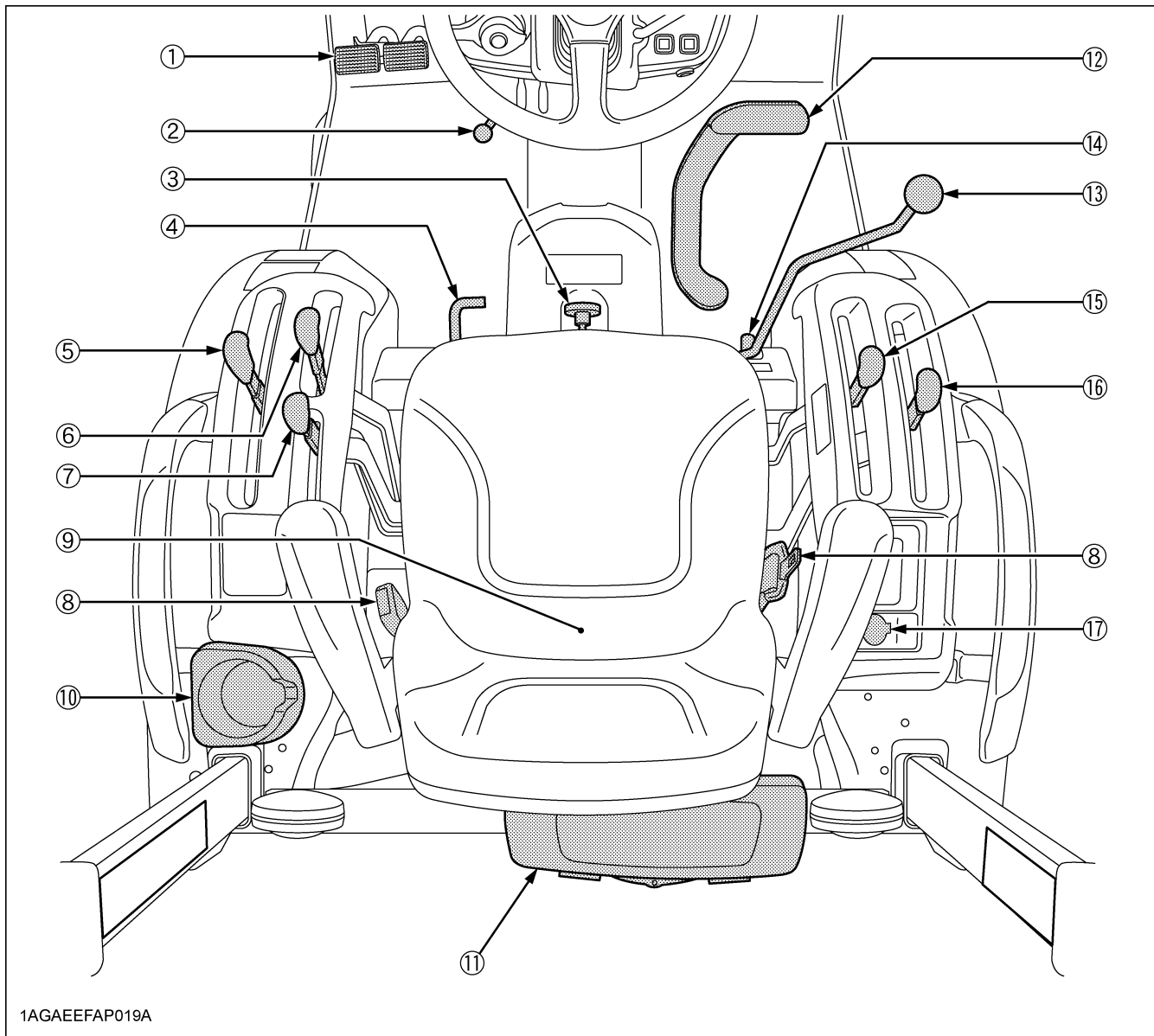


1AGAEFAP020A

ILLUSTRATED CONTENTS

(1) Turn signal / Hazard light indicator.....	31
(2) Electrical charge warning indicator.....	36
(3) Parking brake warning indicator [B3350/B3350SU only].....	21
(4) Master system warning indicator.....	36
(5) Engine warning indicator [B3350/B3350SU only].....	36
(6) Regeneration indicator [B3350/B3350SU only].....	12
(7) Parked regeneration indicator [B3350/B3350SU only].....	12
(8) Engine oil pressure warning indicator.....	36
(9) Engine overheat warning indicator.....	36
(10) Glow plug indicator.....	21
(11) Liquid crystal display.....	37

■ Foot and Hand Controls



1AGAEFAP019A

ILLUSTRATED CONTENTS

(1) Brake pedal.....	32
(2) Steering wheel tilt pedal [B2650/B3350 Only].....	30
(3) 3-Point hitch lowering speed knob.....	51
(4) Differential lock pedal.....	39
(5) Range gear shift lever (L-M-H).....	33
(6) PTO clutch lever.....	43
(7) PTO select lever [B2650/B3350 Only].....	42
(8) Seat belt.....	30
(9) Operator's seat.....	29

ILLUSTRATED CONTENTS

(10) Cup holder.....	---
(11) Tool-box.....	---
(12) Speed control pedal.....	35
(13) Loader control lever.....	52
(14) Loader lock lever.....	53
(15) Front wheel drive lever.....	34
(16) Position control lever [B2650/B3350 Only]..	50
(16) Hydraulic control lever [B3350SU only].....	50
(17) Electrical outlet.....	41

PRE-OPERATION CHECK

DAILY CHECK

To prevent trouble from occurring, it is important to know the condition of the tractor well. Check it before starting.



WARNING

To avoid personal injury or death:

- **Be sure to check and service the tractor on a level surface with the engine shut off and the parking brake "ON" and implement lowered to the ground.**

Check item

- Walk around inspection
 - Check engine oil level
 - Check transmission oil level
 - Check coolant level
 - Clean grill and radiator screen
 - Check DPF muffler [B3350/B3350SU only]
 - Check air cleaner evacuator valve
(When used in a dusty place)
 - Check brake pedal
 - Check indicators, gauges and meter
 - Check lights
 - Check wire harness
 - Check Seat belt and ROPS
 - Check movable parts
 - Refuel
(See "DAILY CHECK" in "PERIODIC SERVICE" section.)
 - Care of danger, warning and caution labels
(See "DANGER, WARNING AND CAUTION LABELS" in "SAFE OPERATION" section.)
-

OPERATING THE ENGINE



WARNING

To avoid personal injury or death:

- Read "Safe Operation" in the front of this manual.
- Read the danger, warning and caution labels located on the tractor.
- To avoid the danger of exhaust fume poisoning, do not operate the engine in a closed building without proper ventilation.
- Never start engine while standing on ground. Start engine only from operator's seat.
- Make it a rule to set all shift levers to the "NEUTRAL" positions and to place the PTO lever in "OFF" position before starting the engine.

IMPORTANT :

- Do not use starting fluid or ether.
- To protect the battery and the starter, make sure that the starter is not continuously turned for more than 10 seconds.

EXHAUST AFTERTREATMENT DEVICES

[B3350/B3350SU only]



WARNING

To avoid personal injury or death:

- During Diesel Particulate Filter (DPF) regenerating operations, exhaust gases and exhaust filter components reach temperatures hot enough to burn people, or ignite or melt common materials.
- Keep tractor away from people, animals or structures which may be susceptible to harm or damage from hot exhaust gases.
- During regeneration, white exhaust gases may be visible. Do not allow regeneration in a non ventilated garage or confined area.
- During regeneration, do not leave the tractor.

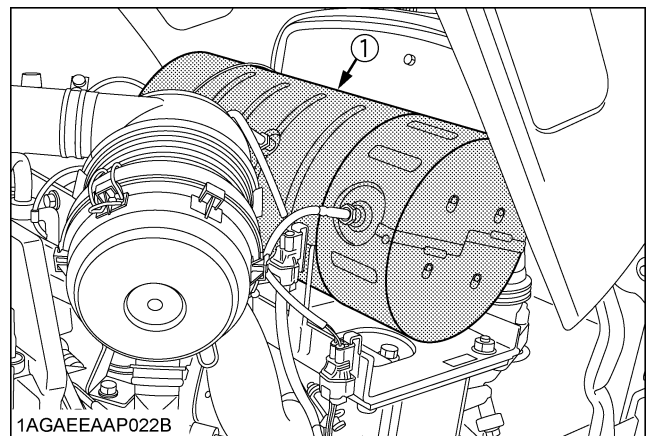
■ Diesel Oxidation Catalyst and Diesel Particulate Filter (DPF) Muffler

The Diesel Oxidation Catalyst and Diesel Particulate Filter (Hereinafter called DPF) serves to reduce hydrocarbons, carbon monoxide and other toxic gases, all of which are contained in diesel engine emissions, to harmless carbon dioxide and water. The DPF also traps Particulate Matter (PM).

To meet the emission regulations in your country, the DPF is installed on your tractor.

Be sure to read this operator's manual before running in your tractor.

It is imperative for the tractor owner and operator to handle the DPF in a safe and environmentally responsible manner.



(1) Diesel Particulate Filter (DPF)

■ Handling Points

When a specific amount of PM (particulate matter) has accumulated in the DPF muffler, it is necessary to refresh the DPF muffler by burning the PM inside it. This burning off work is called "Regeneration".

To extend operating time to reach this regeneration, and to avoid DPF muffler trouble, make sure to observe the following handling matters.

◆ Fuel

Be sure to use Ultra Low Sulfur Fuel (S15).

IMPORTANT :

- Use of diesel fuel other than Ultra Low Sulfur Fuel may adversely affect the engine and DPF performance. Use of fuels other than Ultra Low Sulfur Fuel (S15) may not meet regulations for your region.

◆ Engine oil

Use DPF-compatible oil (CJ-4) for the engine.

IMPORTANT :

- If any engine oil other than CJ-4 is used, the DPF may become clogged earlier than expected and the fuel economy may drop.

◆ Prohibition of unnecessary idling operation

Generally, the lower the engine speed is, the lower the exhaust gas temperature is, so the PM contained in exhaust gas will not be burnt, and begins to accumulate. Therefore, don't idle unnecessarily.

◆ Regeneration

When there is "Regeneration" instruction sign by lamp or buzzer, immediately perform the required procedure for regeneration.

IMPORTANT :

- Interrupting the regeneration cycle or continued operation by ignoring the warning signs may cause DPF and engine damage.
- Operation with clogged air cleaner may cause regeneration failure and DPF damage.

■ DPF Regeneration Process

DPF regeneration process can be performed by choosing from "Auto Regeneration" or "Regeneration inhibit" mode according to your job conditions. For jobs not affected by hot gases emitted during regeneration, the "Auto Regeneration" is advisable.

◆ Auto Regeneration Mode;

When starting the engine (switch operation is unnecessary), the "Auto Regeneration" mode is automatically activated.

With the auto regeneration mode on, when a specific amount of PM has accumulated, and the regeneration conditions are satisfied (See the "Tips on Diesel Particulate Filter [DPF] Regeneration"), the DPF will be automatically regenerated whether the tractor is in motion or parked.

By this way, work efficiency is improved. For details of auto regeneration, refer to "Operating Procedure for Auto Regeneration Mode" section.

◆ Regeneration Inhibit Mode;

After starting the engine, if the "DPF INHIBIT switch" is pressed to turn on the switch lamp, the "Regeneration inhibit" mode will be activated.

With "Regeneration Inhibit" mode on, the PM which has accumulated inside the DPF will not be burnt, unless the operator performs the regeneration work manually.

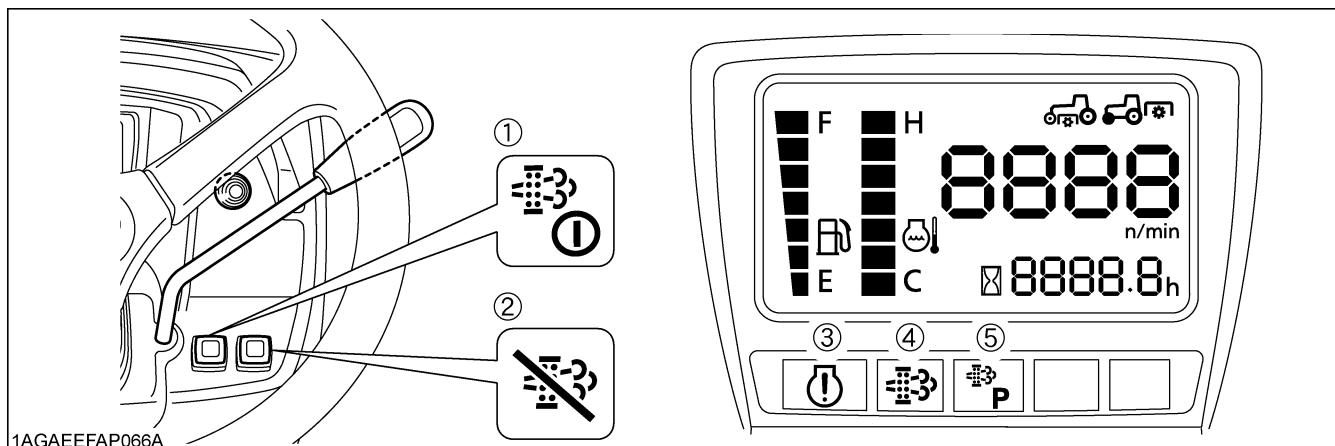
The "Regeneration Inhibit" mode is effective for work in poorly ventilated work spaces.

For details of regeneration prohibition, refer to "Operating Procedure for Regeneration Inhibit Mode" section.

NOTE :

- If stop the engine once, the "Auto Regeneration" mode will be activated.
-

Operating Procedure for Auto Regeneration Mode

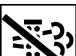


(1) Parked regeneration switch
(2) DPF INHIBIT switch

(3) Engine warning indicator
(4) Regeneration indicator

(5) Parked regeneration indicator


Regeneration Operating Procedure

1. Start the engine.
(Make sure that the DPF INHIBIT switch lamp  is "OFF".)

Switch lamp OFF: Auto Regeneration Mode activated.
Switch lamp ON: Regeneration Inhibit Mode activated.

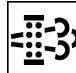
NOTE :

- When the engine is started, the "Auto Regeneration" mode is automatically activated.
- "Regeneration Inhibit" mode is activated, when the DPF INHIBIT switch is pushed after the engine is started.

2.  When a specific amount of PM has built up in the DPF, the regeneration indicator turns "ON". Continue to operate the tractor, and the regeneration process will begin automatically, make sure you are working in a safe area as DPF and exhaust temperature will rise. When the regeneration cycle has completed, the regeneration indicator turns "OFF".

IMPORTANT:

- When ambient temperature is so low or when working with such extraordinary use of electricity that the regeneration conditions are not satisfied, the regeneration indicator starts flashing.







 If the regeneration indicator turns "ON" for a while and then starts flashing, keep on working and rev up the engine to the maximum rpm so that the regeneration indicator stops flashing and remains "ON".

■ PM Warning Level and Required Procedures

During Auto Regeneration Mode when the PM level has built up in the DPF, the regeneration cycle will begin automatically. If the regeneration cycle is interrupted or the regeneration conditions are not satisfied, the buzzer starts sounding and the indicator display changes in response to the PM level in order to prompt the operator to perform the required procedure listed below.

IMPORTANT :

- Once PM warning level has been reached, immediately perform the required procedure for regeneration. Interrupting the regeneration cycle or continued operation by ignoring the warning signs may cause DPF and engine damage.
- If the regeneration cycle is interrupted several times, parked regeneration will be required.

Auto Mode		
DPF system status		Required procedure
PM warning level: 1 Buzzer: Not sounding	 The regeneration indicator turns "ON".	A specific amount of PM has accumulated in the DPF muffler. Continue to work the tractor to raise the DPF temperature. The regeneration cycle begins and continues until cycle is complete then the indicator will turn "OFF".
PM warning level: 2-1 Buzzer: Sounding every 5 seconds	If the regeneration cycle was interrupted or conditions are not satisfied for regeneration then DPF system is now in level 2:  The regeneration indicator starts flashing.	Start the regeneration, referring to "PM warning level: 1" above. Now the parked regeneration indicator starts flashing, and the parked regeneration can also be started. If the regeneration conditions are not met, perform the parked regeneration. ● For the procedure, refer to "Operating Procedure for Parked Regeneration".
PM warning level: 2-2 Buzzer: Sounding every 3 seconds	 The parked regeneration indicator starts flashing.	
PM warning level: 3 Buzzer: Sounding every 1 second Engine output: 50%	If the regeneration fails in the warning level 2:  The Engine warning indicator starts flashing.  The parked regeneration indicator starts flashing.	Immediately discontinue working the tractor and begin the parked regeneration cycle process. ● For the procedure, refer to "Operating Procedure for Parked Regeneration". At this PM warning level, the Auto Regeneration Mode does not function. If the tractor is operated further, the regeneration cycle will be disabled.
PM warning level: 4 Buzzer: Sounding every 1 second Engine output: 50%	If the parked regeneration is interrupted or the tractor is continuously operated in the warning level 3:  The Engine warning indicator remains constantly "ON".	Immediately move the tractor to a safe place and park it there and turn the engine "OFF". Contact your local KUBOTA Dealer. ● At this level, never continue to operate the tractor, otherwise damage may result to the DPF and engine.

IMPORTANT:

- When the regeneration interval becomes shorter, parked regeneration will be required as followed.

1.



If it takes shorter than 4 hours or so for the regeneration indicator to go out and light up again.

2.

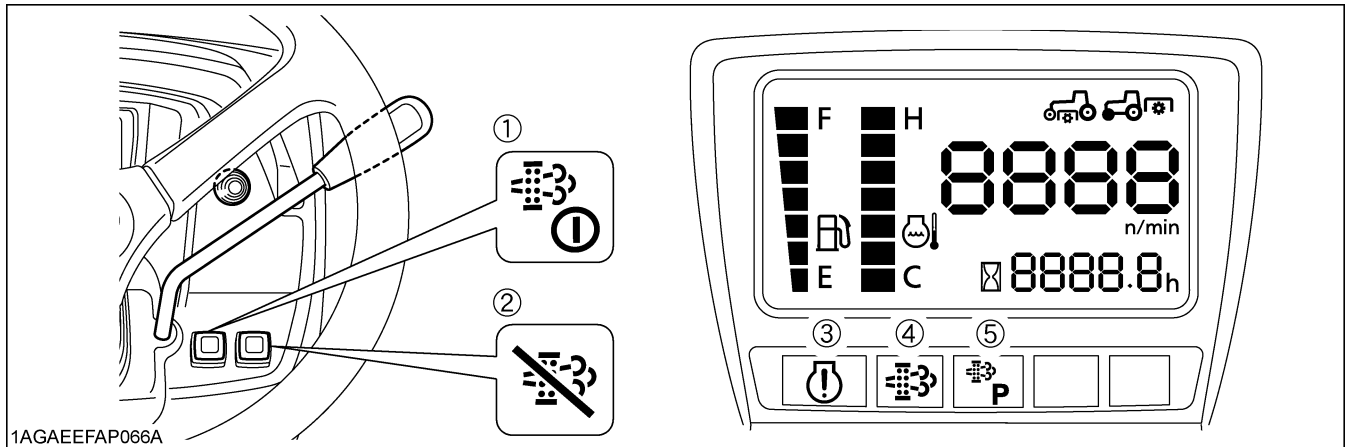


Parked regeneration indicator starts flashing.
* Buzzer: Sounding every 5 seconds.

3.

Immediately discontinue working the tractor and begin the parked regeneration cycle process.
* For the procedure, refer to "Operating Procedure for Parked Regeneration".

Operating Procedure for Regeneration Inhibit Mode



(1) Parked regeneration switch
(2) DPF INHIBIT switch


(3) Engine warning indicator
(4) Regeneration indicator

(5) Parked regeneration indicator

■ Regeneration Operating Procedure

1. Start the engine.
2. Press the DPF INHIBIT switch , and the switch lamp illuminates.

Switch lamp ON: Regeneration Inhibit Mode selected.
Switch lamp OFF: Auto Regeneration Mode selected.

3. When the parked regeneration indicator  starts flashing:








A specific amount of PM has accumulated in the DPF muffler.
Move the tractor to a safe place and activates the DPF muffler. Follow the "Operating Procedure for Parked Regeneration" procedure.

■ PM Warning Level and Required Procedures

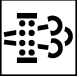

In the Regeneration Inhibit Mode, the buzzer starts sounding and the indicator display changes in response to the PM level in order to prompt the operator to perform the required procedure listed below.

IMPORTANT :




- Once the regeneration level has been reached, immediately perform the required procedure for regeneration. Interrupting the regeneration cycle or continued operation by ignoring the warning signs may cause DPF and engine damage.
- If the regeneration cycle is interrupted several times, parked regeneration will be required.

Regeneration Inhibit Mode		
	DPF system status	Required procedure
PM warning level: 1 Buzzer: Not sounding	 The regeneration indicator starts flashing.	A specific level of PM has built up in the DPF muffler. Continue with the operation as it is.
	 At PM warning levels range from 1 to 2-2, it is also possible to change DPF INHIBIT switch to auto regeneration mode then perform regeneration.	
PM warning level: 2-1 Buzzer: Sounding every 5 seconds	 The regeneration indicator starts flashing.	Move the tractor to a safe area, then follow the "Operating Procedure for Parked Regeneration".
PM warning level: 2-2 Buzzer: Sounding every 3 seconds	 The Parked regeneration indicator starts flashing.	
PM warning level: 3 Buzzer: Sounding every 1 second Engine output: 50%	If the parked regeneration cycle is interrupted or the tractor is continuously operated in the PM warning level 2:	
	 The engine warning indicator starts flashing.  The parked regeneration indicator starts flashing	Immediately stop working the tractor, move the tractor to a safe area, then follow the "Operating Procedure for Parked Regeneration". If the tractor is operated further and the operator ignores the warning signs, then regeneration will be disabled.
PM warning level: 4 Buzzer: Sounding every 1 second Engine output: 50%	If the regeneration cycle is interrupted or the tractor is continuously operated ignoring the warning signs, in the PM warning level 3:	
	 The engine warning indicator remains constantly "ON".	Immediately move the tractor to a safe place and place in park, turn "OFF" engine. Contact your local KUBOTA Dealer. <ul style="list-style-type: none"> ● At this level never continue to operate the tractor, otherwise damage may result to the DPF and engine.

IMPORTANT:

- When the regeneration interval becomes shorter, parked regeneration will be required as followed.
 1.  If it takes shorter than 4 hours or so for the regeneration indicator to go out and light up again.
 2.  Parked regeneration indicator starts flashing.
 - * Buzzer: Sounding every 5 seconds.
 3. Immediately discontinue working the tractor and begin the parked regeneration cycle process.
 - * For the procedure, refer to "Operating Procedure for Parked Regeneration".
-

Operating Procedure for Parked Regeneration

1. Park the tractor in a safe area away from buildings, people, and animals.
2. Set the parking brake.
3. Set the speed control pedal to "NEUTRAL" position.
4. Set the speed set lever to "OFF" position.
5. Set the PTO clutch lever to "OFF" position.
6. Lower the implement to the ground.
7. Turn steering wheel so front wheels are in the straight ahead position.
8. Return the engine rpm to the idle speed.
9. Press the DPF INHIBIT switch , and the switch lamp turns "OFF".
10. When the regeneration conditions are satisfied (from 2 to 5 and 8, 9), the parked regeneration switch lamp  start flashing.
11. Press the parked regeneration switch  to start the regeneration cycle.
(The switch lamp will stop flashing and remain "ON" constantly during the cycle.)
12. The engine rpm will automatically rise, and the regeneration process will begin.

NOTE :

- For a while after the start of regeneration, the engine runs at high speed for warming it up and regeneration of electricity.

13. Both indicators   stay "ON" while regenerating the DPF.

They turn "OFF" when the cycle is complete.

14. After the lamp turns "OFF", normal tractor work may resume.
When driving in "Regeneration Inhibit" mode, press the DPF INHIBIT switch to turn on the switch lamp.

NOTE :

- During the regeneration cycle, do not touch the above levers, and switches (in steps 2, 3, 4, 5), nor change the engine rpm other than an emergency stop. Otherwise, the regeneration will be interrupted.
- Never leave the tractor when parked regeneration process is activated.
- If the parked regeneration cycle is interrupted, the engine rpm is fixed at the idling level for about 30 seconds. For this period, keep the hand throttle lever at the idle position. Do not move it. It will function again in 30 seconds.

■ Tips on DPF Regeneration

● Operation

The higher in speed or load the engine operates, the higher the exhaust temperature rises. As a result, particulate matter (PM) inside the DPF is consumed, therefore the regeneration process occurs less frequently over time.

The lower in speed or load the engine operates, the lower the exhaust temperature. Accordingly, less particulate matter (PM) inside the DPF is consumed, therefore more accumulation of PM will occur, which requires frequent regeneration, therefore avoid prolonged idling if possible.

● Necessary conditions for "Regeneration"

If even one condition is deviated, after starting regeneration, the regeneration will be interrupted.

- (1) The engine coolant temperature
- (2) The DPF temperature
- (3) The battery voltage during regeneration

- Usually it takes 25-35 minutes to complete the regeneration cycle.

Actual regeneration time may depend on ambient temperature, exhaust temperature and engine speed.

- It is recommended to do the regenerating while the engine is warm and at high revolution.
- Do not unnecessarily start and interrupt the regeneration process. Otherwise, a small amount of fuel becomes smoke.
- Just after the regeneration has ended, the DPF muffler remains hot. It is advisable to keep the engine running for about 5 minutes to allow cooling of the exhaust components.

STARTING THE ENGINE

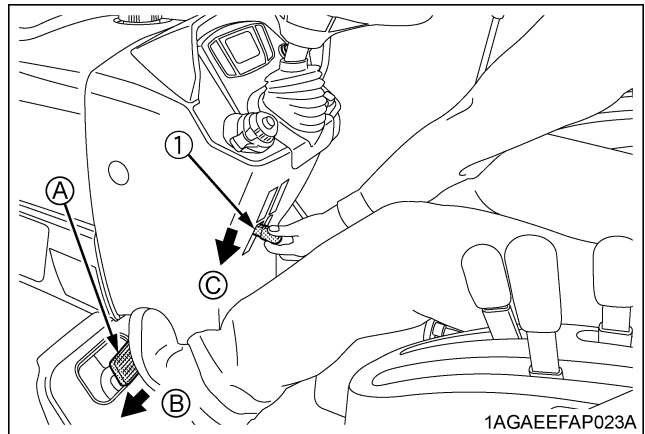
1. Make sure the parking brake is set.

1. To set the parking brake:

- (1) Interlock the brake pedals.
- (2) Depress the brake pedals.
- (3) Latch the brake pedals with the parking brake lever.

NOTE :

- When the parking brake is set while the key switch is "ON", the parking brake warning indicator light on the Easy Checker (TM) will turn on.
2. To release the parking brake, depress the brake pedals again.

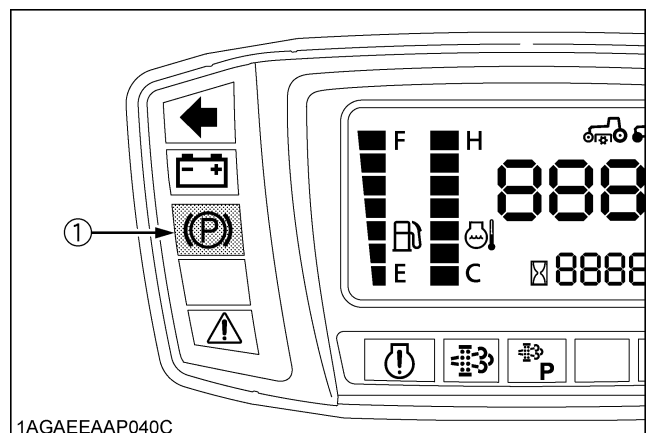


(1) Parking brake lever

(A) Interlock the brake pedals

(B) "DEPRESS"

(C) "PULL DOWN"

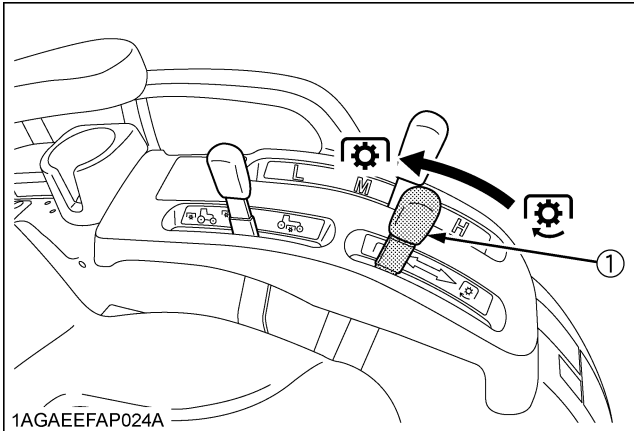


(1) Parking brake warning indicator [B3350/B3350SU only]

NOTE :

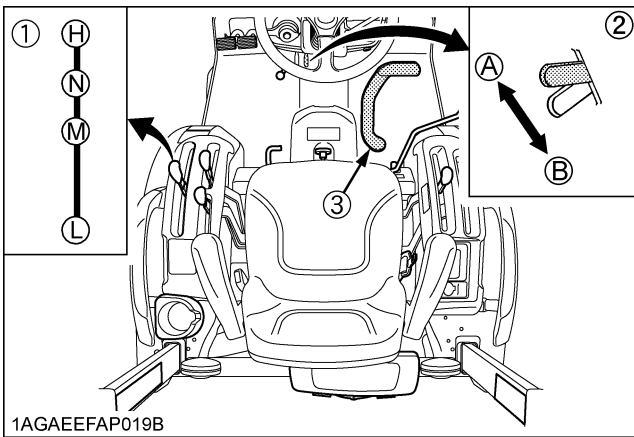
- It is recommended that the operator practice engaging and disengaging the parking brake on a flat surface without the engine running before operating the tractor for the first time.

2. Place the PTO clutch lever in the "OFF" position.



(1) PTO clutch lever
 [ON] "ON" "ENGAGE"
 [OFF] "OFF" "DISENGAGE"

**3. Place the speed set lever in "OFF" position. [except B3350SU]
 Place the speed control pedal in the "NEUTRAL" position.
 Place the range gear shift lever (L-M-H) in the "NEUTRAL" position.**

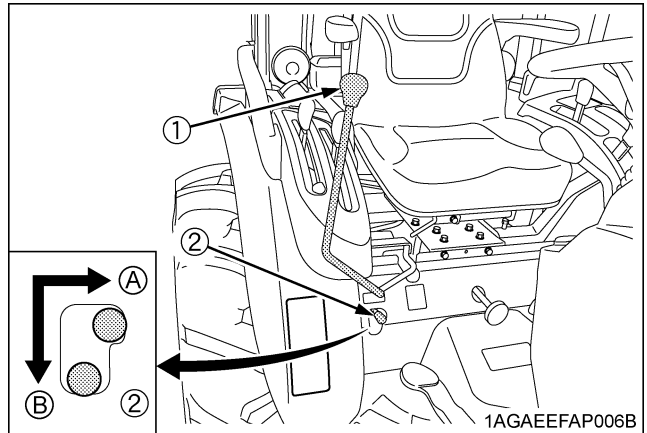


(1) Range gear shift lever (L-M-H) (A) "OFF"
 (2) Speed set lever (B) "ON"
 [Except B3350SU] (H) "HIGH"
 (3) Speed control pedal (N) "NEUTRAL POSITION"
 (M) "MIDDLE"
 (L) "LOW"

NOTE :

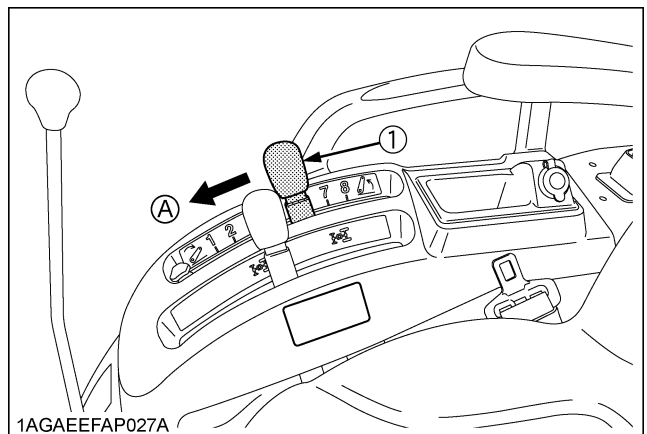
- Depress the both brake pedals together, doing so the speed set lever automatically returns to the off position.
- By removing your foot from the speed control pedal, it will allow the pedal to automatically return to the neutral position.

4. Lock the loader control lever in the "LOCK" position.



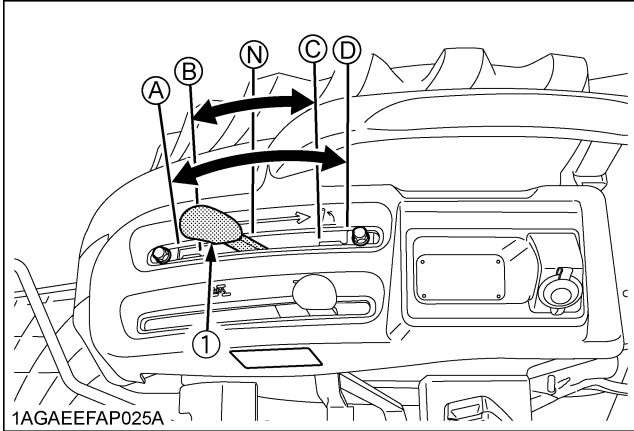
(1) Loader control lever (A) "UNLOCK"
 (2) Lock lever (B) "LOCK"

5. Place the position control lever in the "LOWEST" position. [B2650/B3350 only]



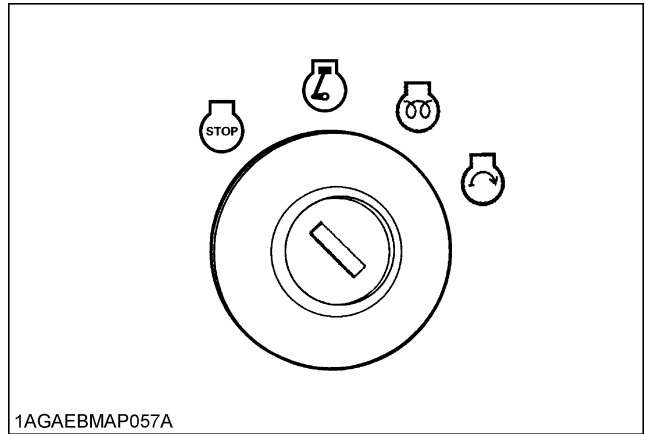
(1) Position control lever (A) "DOWN"

5. Place the hydraulic control lever in "NEUTRAL" position.
[B3350SU only]



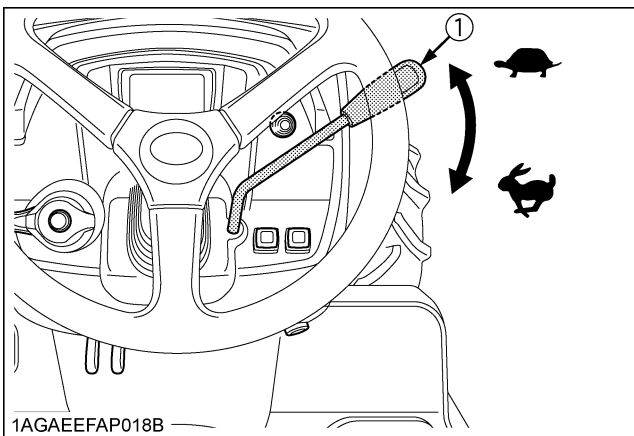
- (1) Hydraulic control lever
- (A) "DOWN"
 - (B) "SLOW DOWN"
 - (N) "NEUTRAL"
 - (C) "SLOW UP"
 - (D) "UP"

7. Insert the key into the key switch and turn it "ON".



- "OFF"
- "ON"
- "PREHEAT"
- "START"

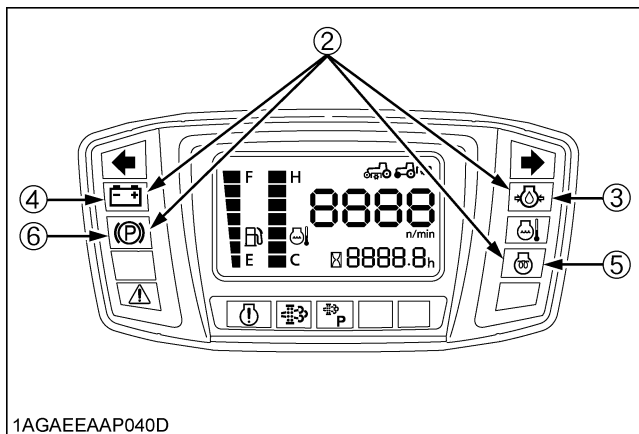
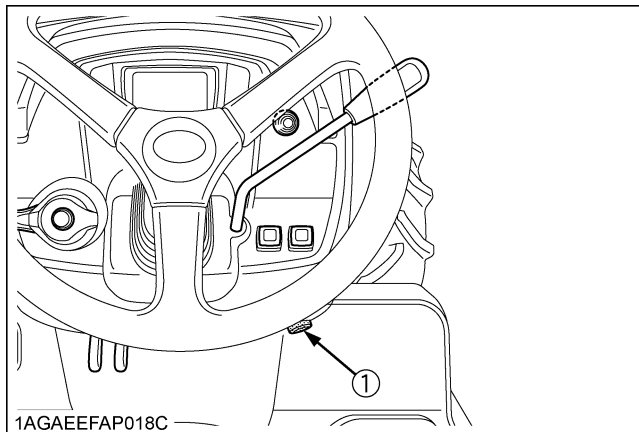
6. Set the throttle lever to about 1/2 way.



- (1) Hand throttle lever
- "INCREASE"
 - "DECREASE"

◆ **Check Easy Checker (TM) Lamps:**

1. When the key is turned "ON", lamps (3) (4) should come on. If trouble should occur at any location while the engine is running, the indicator lamp corresponding to problem will turn "ON".
2. If the parking brake warning indicator (6) does not illuminate, make sure the parking brake is set.



- (1) Key switch
- (2) Easy Checker (TM)
- (3) Engine oil pressure warning indicator
- (4) Electrical charge warning indicator
- (5) Glow plug indicator
- (6) Parking brake warning indicator [B3350/B3350SU only]

8. Turn the key to "PREHEAT" position and hold it for about 2 to 3 seconds.

For the appropriate preheating time, refer to the table below:

Temperature	Preheating Time
Over 0 °C (32 °F)	2 to 3 sec.
0 to -5 °C (32 to 23 °F)	5 sec.
-5 to -15 °C (23 to 5 °F)	10 sec.

NOTE :

- Glow plug indicator (5) comes on while engine is being preheated.

9. Turn the key to "START" position and release when the engine starts.

IMPORTANT :

- Because of the safety devices, the engine will not start except when the PTO clutch lever is placed in the "OFF" position and speed control pedal is placed in the "NEUTRAL" position.

◆ **Cold Weather Starting**

When the ambient temperature is below -5°C (23°F) and the engine is very cold. If the engine fails to start, turn off the key for 30 seconds. Then repeat steps 8 and 9. To protect the battery and the starter, make sure that the starter is not continuously turned for more than 10 seconds.

■ **Block Heater (Option)**

A block heater is available as an option from your dealer. It will assist you in starting your tractor when the ambient temperature is below -15°C (5°F).

10. Check to see that all the lamps on the Easy Checker (TM) are "OFF".

If any lamps stays on, immediately stop the engine and determine the cause.

STOPPING THE ENGINE

[B2650]

1. After slowing the engine to idle, turn the key to "OFF".
2. Remove the key.

[B3350/B3350SU]

1. After slowing the engine to idle, wait 3 to 5 minutes for turbo to slow down then turn the key to "OFF".
2. Remove the key.

NOTE :

- If key does not stop the engine, consult your local KUBOTA Dealer.

WARMING UP



WARNING

To avoid personal injury or death:

- Be sure to set the parking brake during warm-up.
- Be sure to set all shift levers to the "NEUTRAL" positions and to place the PTO clutch lever in the "OFF" position during warm-up.

For 5 minutes after engine start-up, allow the engine to warm up without applying any load, this is to allow oil to reach every engine part. If load should be applied to the engine without this warm-up period, trouble such as seizure, breakage or premature wear may develop.

■ Warm-up Transmission Oil at Low Ambient Temperatures

Hydraulic oil serves as transmission fluid. In cold weather, the oil will be cold, which will increase oil viscosity. This can cause delayed oil circulation or abnormally low hydraulic pressure for some time after engine start-up. This in turn can result in trouble in the hydraulic system. To prevent the above, observe the following instructions: Warm up the engine at about 50% of rated rpm according to the table below:

Ambient temperature	Warm-up time requirement
Above 0 °C (32 °F)	At least 5 minutes
0 to -10 °C (32 to 14 °F)	5 to 10 minutes
-10 to -20 °C (14 to -4 °F)	10 to 15 minutes
Below -20 °C (-4 °F)	More than 15 minutes

IMPORTANT :

- Do not operate the tractor under full load condition until it is sufficiently warmed up.

JUMP STARTING



WARNING

To avoid personal injury or death:

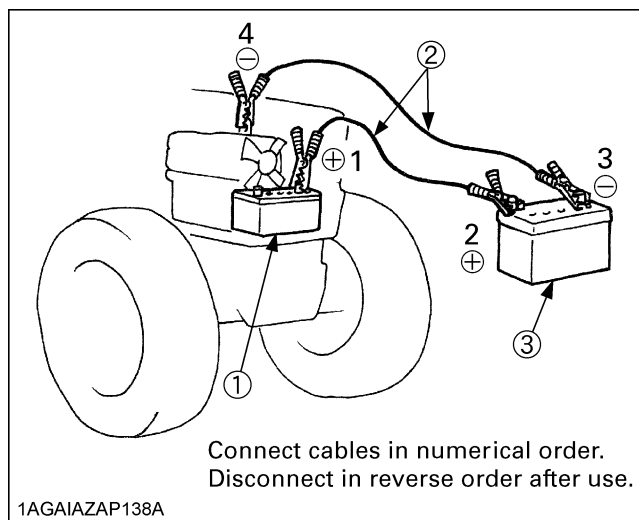
- Battery gases can explode. Keep cigarettes, sparks, and flames away from battery.
- If tractor battery is frozen, do not jump start engine.
- Do not connect the other end of the negative (-) jumper cable to the negative (-) terminal of the tractor battery.

When jump starting the engine, follow the instructions below to safely start the engine.

1. Bring the helper vehicle with a battery of the same voltage as disabled tractor within easy cable reach. "THE VEHICLES MUST NOT TOUCH".
2. Engage the parking brakes of both vehicles and put the shift levers in neutral. Shut both engines off.
3. Wear eye protection and rubber gloves.
4. Attach the red clamp to the positive (red, (+) or pos.) terminal of the dead battery and clamp the other end of the same cable to the positive (red, (+) or pos.) terminal of the helper battery.
5. Clamp the other cable to the negative (black, (-) or neg.) terminal of the helper battery.
6. Clamp the other end to the engine block or frame of the disabled tractor as far from the dead battery as possible.
7. Start the helper vehicle and let its engine run for a few moments. Start the disabled tractor.
8. Disconnect the jumper cables in the exact reverse order of attachment. (Steps 6, 5 and 4)

- Use only same voltage for jump starting.
- Use of a higher voltage source on tractors electrical system could result in severe damage to tractor's electrical system.

Use only matching voltage source when "Jump starting" a low or dead battery condition.



- (1) Dead battery
(2) Jumper cables
(3) Helper battery

IMPORTANT :

- This machine has a 12volt negative (-) ground starting system.

OPERATING THE TRACTOR

OPERATING NEW TRACTOR

How a new tractor is handled and maintained determines the life of the tractor.

A new tractor just off the factory production line has been, of course, tested, but the various parts are not accustomed to each other, so care should be taken to operate the tractor for the first 50 hours at a slower speed and avoid excessive work or operation until the various parts become "broken-in." The manner in which the tractor is handled during the "breaking-in" period greatly affects the life of your tractor. Therefore, to obtain the maximum performance and the longest life of the tractor, it is very important to properly break-in your tractor. In handling a new tractor, the following precautions should be observed.

■ Do not Operate the Tractor at Full Speed for the First 50 Hours

- Do not start quickly nor apply the brakes suddenly.
- In winter, operate the tractor after fully warming up the engine.
- Do not run the engine at speeds faster than necessary.
- On rough roads, slow down to suitable speeds.
Do not operate the tractor at fast speed.

The above precautions are not limited only to new tractors, but to all tractors. But it should be especially observed in the case of new tractors.

■ Changing Lubricating Oil for New Tractors

The lubricating oil is especially important in the case of a new tractor. The various parts are not "broken-in" and are not accustomed to each other; small metal grit may develop during the operation of the tractor; and this may wear out or damage the parts. Therefore, care should be taken to change the lubricating oil a little earlier than would ordinarily be required.

For further details of change interval hours, see "MAINTENANCE" section.

BOARDING AND LEAVING THE TRACTOR

1. Never try to get on or off a moving tractor or jump off the tractor to exit.
2. Face the tractor when getting into or out of the tractor. Do not use the controls as hand holds to prevent inadvertent machine movements.
3. Always keep steps and floor clean to avoid slippery conditions.

OPERATING FOLDABLE ROPS



WARNING

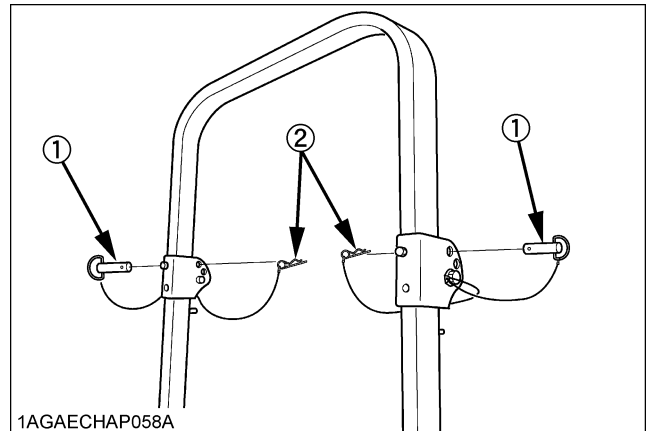
To avoid personal injury or death:

- When raising or folding the ROPS, apply parking brake, stop the engine and remove the key.
Always perform function from a stable position at the rear of tractor.
- Fold the ROPS down only when absolutely necessary and fold it up and lock it again as soon as possible.
- Before proceeding to fold ROPS, check for any possible interference with installed implements and attachments.

If interference occurs, contact your KUBOTA Dealer.

■ To Fold the ROPS

1. Remove both set bolts, maintain a hold on the ROPS.



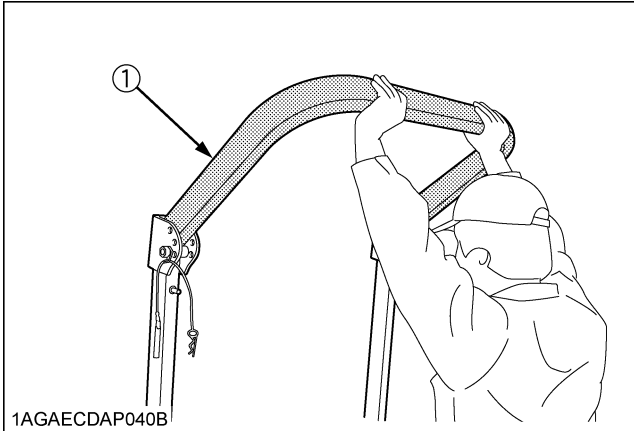
- (1) Set bolt
(2) Hair pin

2. Fold the ROPS.

CAUTION

To avoid personal injury:

- Hold the ROPS tightly with both hands and fold the ROPS slowly and carefully.



1AGAECDAPO40B

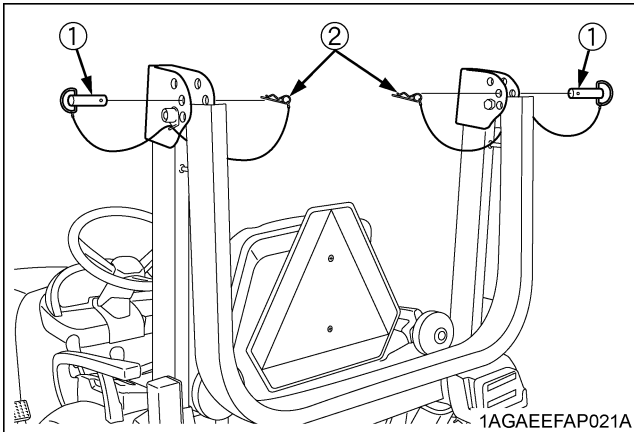
(1) ROPS

3. Insert both set bolts and secure them with the hair pins.

CAUTION

To avoid personal injury:

- Make sure that both set bolts are properly installed and secured with the hair pins.

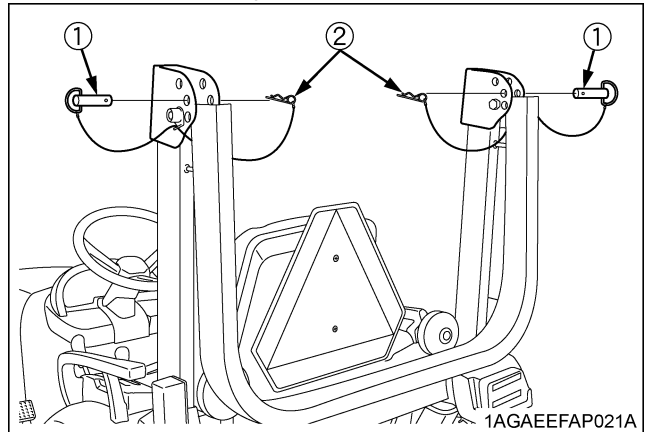


1AGAEFAP021A

(1) Set bolt
(2) Hair pin

To Raise the ROPS to Upright Position

1. Remove both hair pins and set bolts.



1AGAEFAP021A

(1) Set bolt
(2) Hair pin

2. Raise ROPS to the upright position, maintain a hold on the ROPS.

CAUTION

To avoid personal injury:

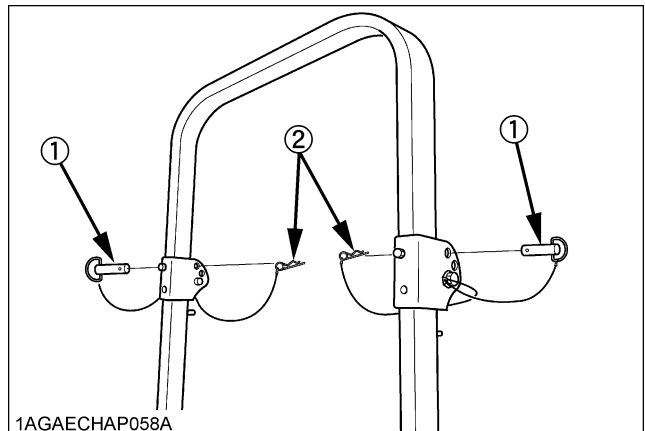
- Raise the ROPS slowly and carefully.

3. Insert both set bolts and secure them with the hair pins.

CAUTION

To avoid personal injury:

- Make sure that both set bolts are properly installed as soon as the ROPS is in the upright position and secured with the hair pins.

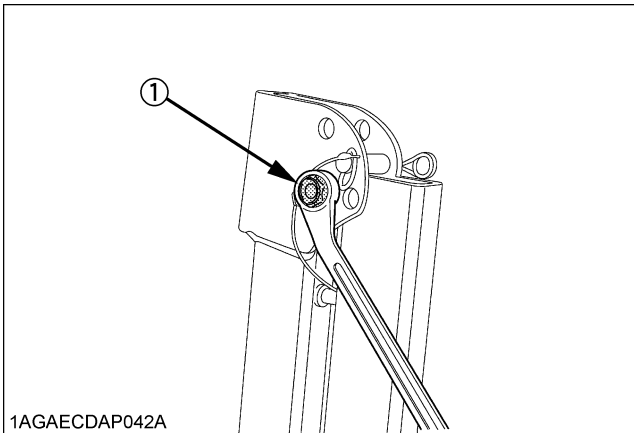


1AGAECHAP058A

(1) Set bolt
(2) Hair pin

■ Adjustment of Foldable ROPS

- Adjust free fall of the ROPS upper frame regularly.
- If you feel less friction in folding the ROPS, tighten the nut (1) until you feel the right friction in the movement.



(1) Nut

STARTING

1. Adjusting the operator's position.

NOTE :

- The seat and suspension should be adjusted to ensure that the controls are comfortably at hand for the operator, ensuring that the operator maintains a good posture and minimizes risks from whole body vibration.

■ Operator's Seat



WARNING

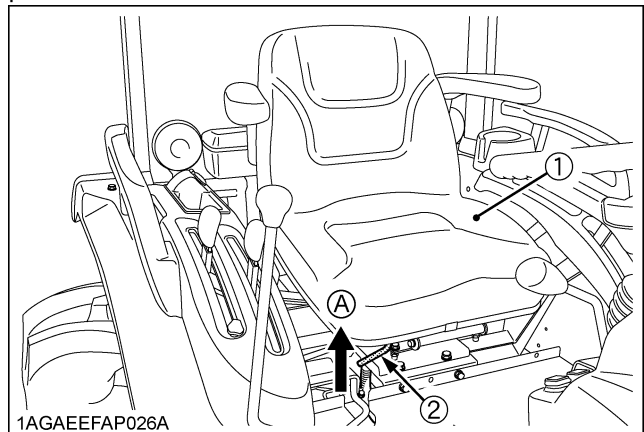
To avoid personal injury or death:

- Make sure that the seat is completely secured after each adjustment.
- Do not allow any person other than the driver to ride on the tractor.

[B2650/B3350]

◆ Position adjustment

Pull in the position adjust lever and slide the seat backward or forward, as required. The seat will lock in position when the lever is released.



(1) Seat

(2) Position adjust lever

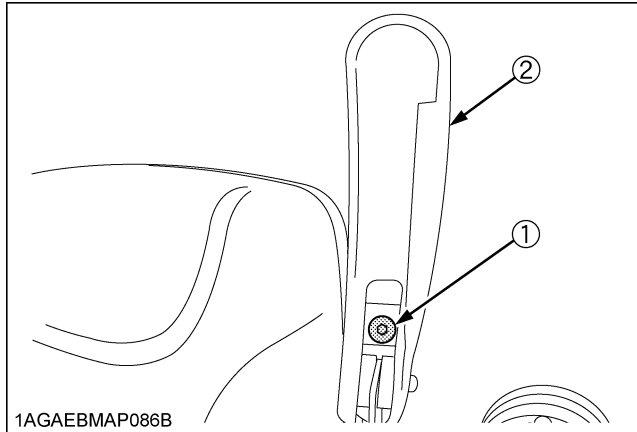
(A) "PULL UP"

IMPORTANT :

- After adjusting the operator's seat, be sure to check that the seat is properly locked.

◆ **Armrest angle adjustment**

The armrest angle can be adjusted by the hex socket head cap bolts (socket size 7/32 inch).

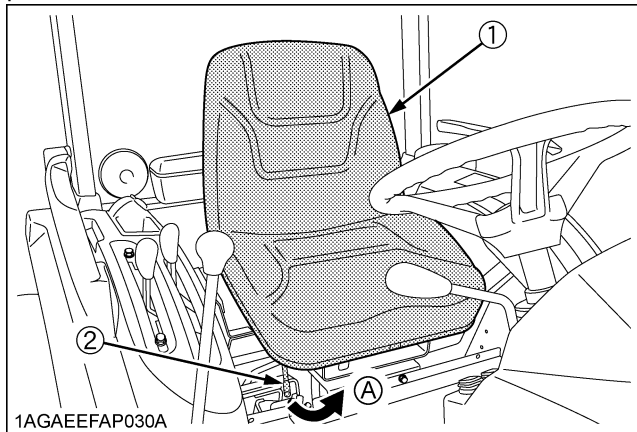


(1) Hex socket head cap bolt
(2) Armrest

[B3350SU]

◆ **Position adjustment**

Pull in the position adjust lever and slide the seat backward or forward, as required. The seat will lock in position when the lever is released.



(1) Seat
(2) Position adjust lever
(A) "PULL IN"

IMPORTANT :

- After adjusting the operator's seat, be sure to check that the seat is properly locked.

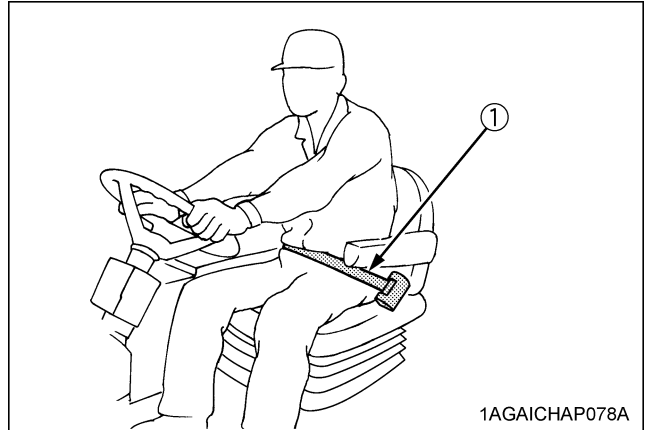
■ **Seat Belt**

WARNING

To avoid personal injury or death:

- Always use the seat belt when the ROPS is installed.
- Do not use the seat belt if a foldable ROPS is down or there is no ROPS.

Adjust the seat belt for proper fit and connect to the buckle. The seat belt is auto-locking retractable type.



(1) Seat belt

■ **Tilt Steering Adjustment**

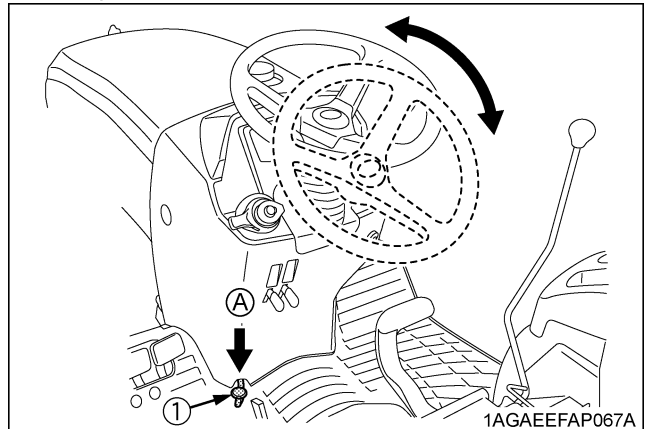
[B2650/B3350 only]

CAUTION

To avoid personal injury:

- Do not adjust the steering wheel while the tractor is in motion.

Press down the steering wheel pedal, to release the lock so the steering wheel can be adjusted to one of three desired positions.



(1) Steering wheel tilt pedal (A) "PRESS DOWN"

2. Selecting light switch positions.

■ Head Light / Turn Signal / Hazard Light Switch

◆ Head Light Switch

(A) OFF....Head light OFF.

(B) Head light ON.

◆ Hazard Light

1. When hazard light switch is pushed, the hazard lights flash, along with the L/H and R/H indicators on the instrument panel.
2. Push hazard light switch again to turn off the hazard lights.

◆ Turn Signal with Hazard Light Switch On

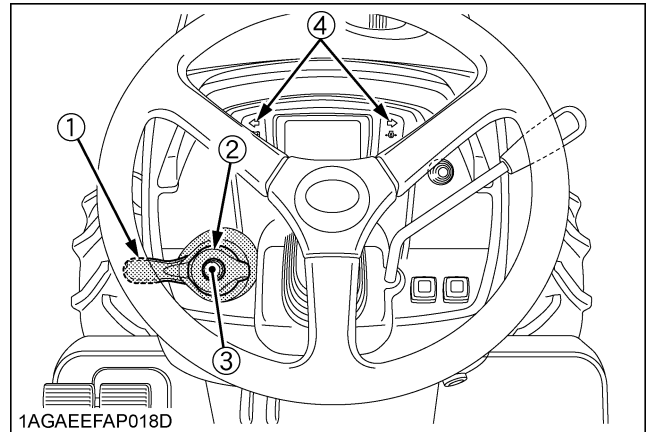
1. To indicate a right turn with the hazard lights already flashing (hazard switch on), turn the turn signal switch clockwise.
2. To indicate a left turn with the hazard lights already flashing, turn the turn signal switch counterclockwise.
3. When the left or right turn signal is activated in combination with the hazard lights, the indicated turning light will flash and the other will stay on.

◆ Turn Signal with Hazard Light Switch Off

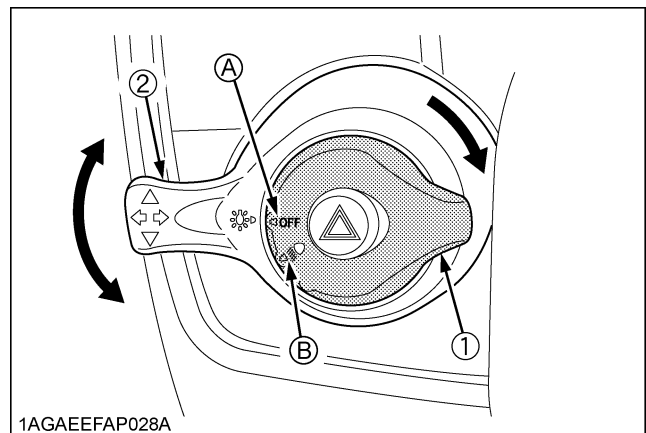
1. To indicate a right turn without hazard lights (hazard switch off), turn the turn signal switch clockwise.
2. To indicate a left turn without hazard lights, turn the turn signal switch counterclockwise.
3. When the left or right turn signal is activated without the hazard lights, the indicated turning light will flash and the other will stay on.

NOTE :

- The hazard light switch is operative when the key switch is in either the "ON" or "OFF" positions.
- The turn signal light switch is only operative when the key switch is in the "ON" position.
- The indicator in the hazard light switch will light up when the head light switch is turned on.
- Be sure to return the turn signal switch to center position after turning.



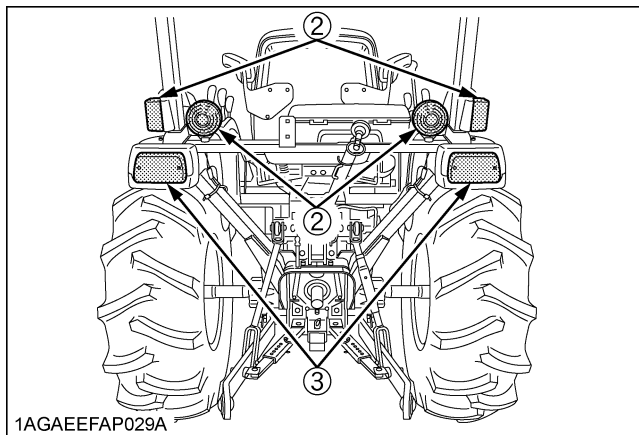
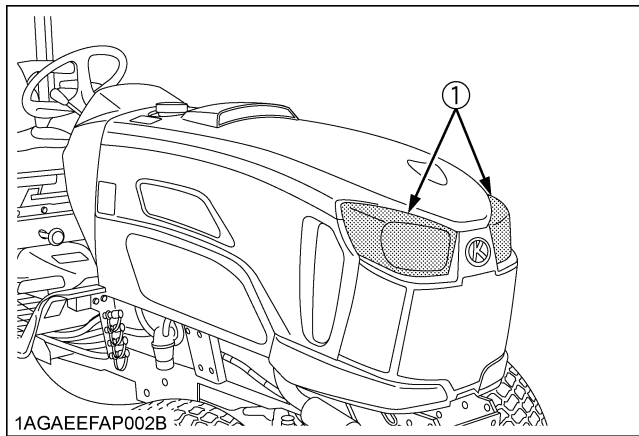
- (1) Turn signal light switch
 (2) Head light switch
 (3) Hazard light switch
 (4) Hazard / Turn signal indicator



- (1) Head light switch
 (2) Turn signal light switch
 (A) "OFF"
 (B) "ON"

■ Tractor Lights

- (1) Head light
- (2) Turn signal / Hazard light
- (3) Tail light



3. Checking the brake pedal.

■ Brake Pedals (Right and Left)



WARNING

To avoid personal injury or death:

- Applying only one rear wheel brake at high speeds could cause the tractor to swerve or roll-over.

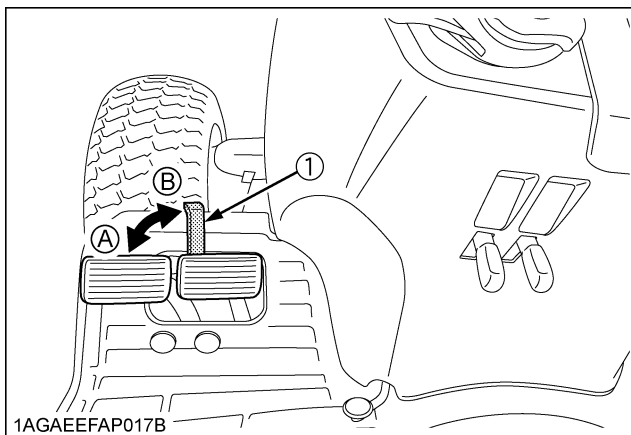


WARNING

To avoid personal injury or death:

- An accident may occur if the tractor is suddenly braked, such as by heavy towed loads shifting forward or loss of control.
- The braking characteristics are different between 2 and 4 wheel drive. Be aware of the difference and use carefully.
- When driving on icy, wet or loose surfaces, make sure the tractor is correctly ballasted to avoid skidding and loss of steering control. Operate at reduced speed.

1. Before operating the tractor on the road or before applying the parking brake, be sure to interlock the right and left pedals as illustrated below.
2. Use individual brakes to assist in making sharp turns at slow speeds (Field Operation Only). Disengage the brake pedal lock and depress only one brake pedal.
3. Be sure brake pedals have equal adjustment when using locked together.



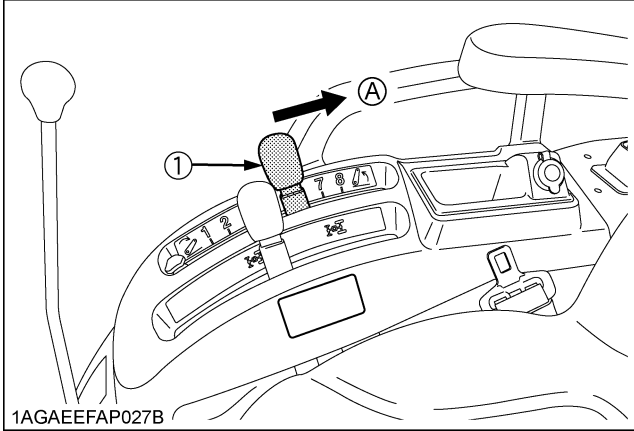
(1) Brake pedal lock

(A) "LOCK"

(B) "RELEASE"

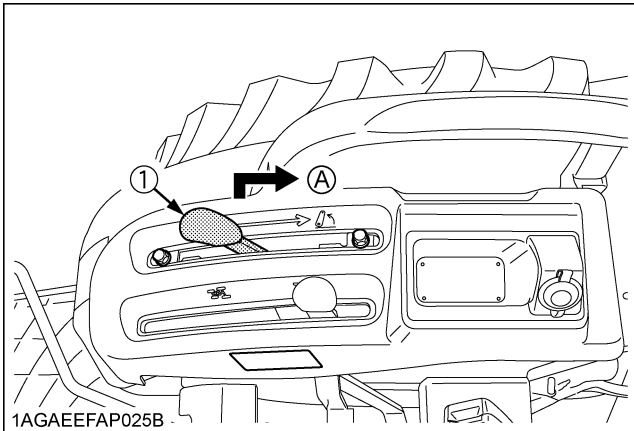
4. Raise the implement.
(See "HYDRAULIC UNIT" section.)

[B2650/B3350 only]



(1) Position control lever (A) "UP"

[B3350SU only]



(1) Hydraulic control lever (A) "UP"

5. Selecting the Travel Speed.

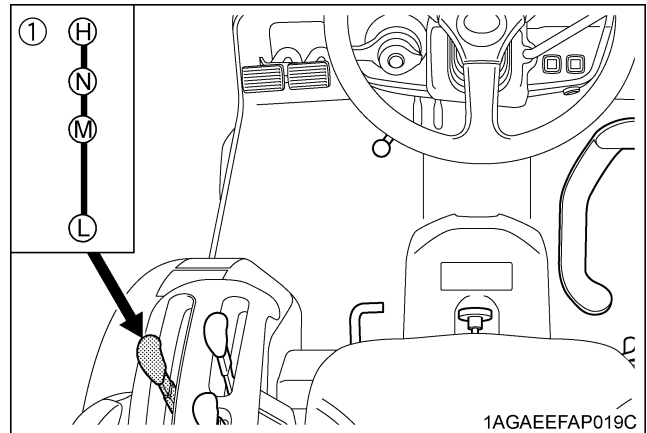
Range Gear Shift Lever (L-M-H)

The range gear shift can only be shifted when tractor is completely stopped.

IMPORTANT :

Do not force the range gear shift lever.

- If it is difficult to shift the range gear shift lever into the neutral position;
 - (1) Depress the brake pedal firmly for several seconds.
 - (2) Without reducing the brake pedal force, shift the range gear shift lever.
- If it is difficult to shift the range gear shift lever into "L", "M" or "H" from neutral position;
 - (1) Slightly depress the speed control pedal to rotate the gears inside of transmission.
 - (2) Release the speed control pedal to neutral position.
 - (3) Shift the range gear shift lever.
- To avoid damage of transmission, stop tractor before shifting between ranges.



(1) Range gear shift lever (L-M-H)

- (H) "HIGH"
- (M) "MIDDLE"
- (L) "LOW"
- (N) "NEUTRAL POSITION"

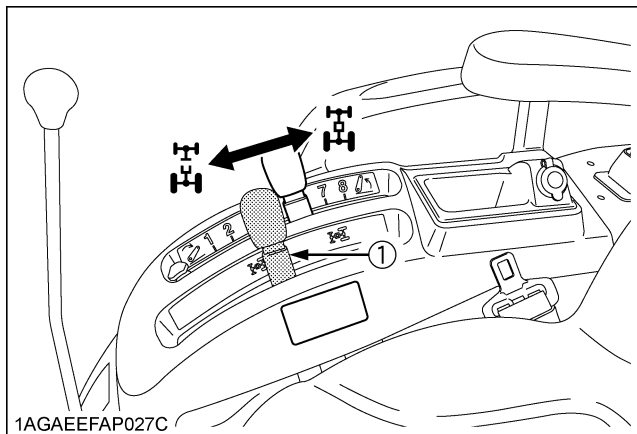
■ Front Wheel Drive Lever

! WARNING

To avoid personal injury or death:

- Do not engage the front wheel drive when traveling at road speed.
- When driving on icy, wet or loose surfaces, make sure the tractor is correctly ballasted to avoid skidding and loss of steering control. Operate at reduced speed and engage front wheel drive.
- An accident may occur if the tractor is suddenly braked, such as by heavy towed loads shifting forward or loss of control.
- The braking characteristics are different between 2 and 4-wheel drive. Be aware of the difference and use carefully.

Use the lever to engage the front wheels with the tractor stopped. Shift the lever to "ON" to engage the front wheel drive.



(1) Front wheel drive lever "ON" "OFF"

IMPORTANT :

- To avoid damage of transmission, when front wheel drive lever is not smoothly shifted, slightly step forward or rearward on speed control pedal.
- Tires will wear quickly if front wheel drive is engaged on paved roads.

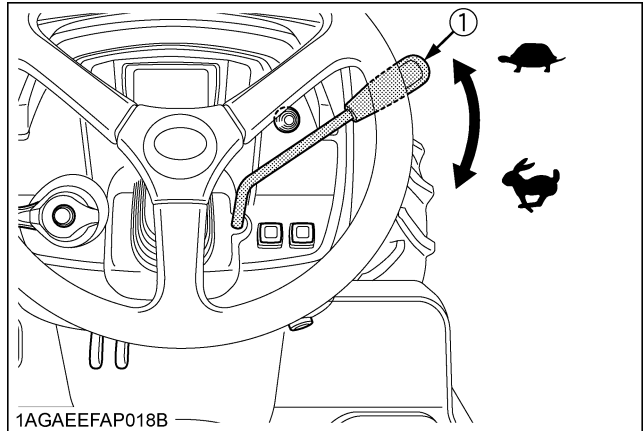
◆ Front wheel drive is effective for the following jobs:

1. When greater pulling force is needed, such as working in a wet field, when pulling a trailer, or when working with a front-end loader.
2. When working in sandy soil.
3. When working on a hard soil where a rotary tiller might push the tractor forward.
4. Additional braking at reduced speeds.

6. Accelerate the Engine.

■ Hand Throttle Lever

Pulling the throttle lever back increases engine speed, and pushing it forward decreases engine speed.

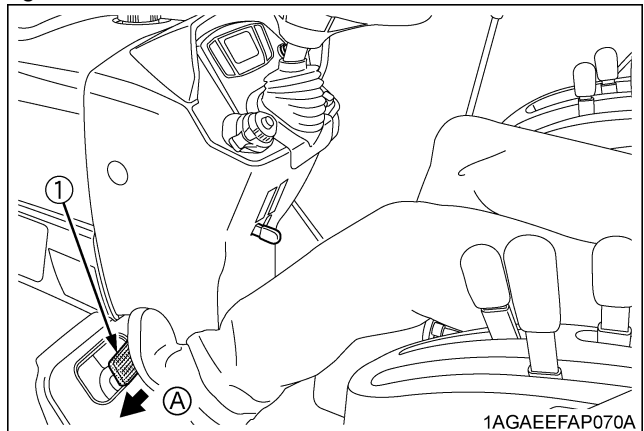


(1) Hand Throttle lever "INCREASE" "DECREASE"

7. Unlock the Parking Brake.

■ Parking Brake

To release the parking brake, depress the brake pedals again.



(1) Brake pedals (A) "DEPRESS"

8. Depress the Speed Control Pedal.

Speed Control Pedal



WARNING

To avoid personal injury or death:

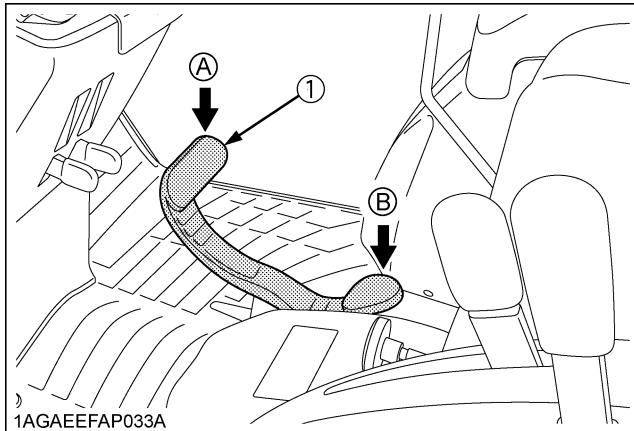
- Do not operate if the tractor moves on level ground with the operators foot off of Speed Control Pedal.
- Consult your local KUBOTA Dealer.

Forward Pedal

Depress the speed control pedal with the toe of your right foot to move forward.

Reverse Pedal

Depress the speed control pedal with the heel of your right foot to move backward.



(1) Speed control pedal

(A) "FORWARD"
(B) "REVERSE"

IMPORTANT :

- To prevent serious damage to the HST, do not adjust the stopper bolts.

NOTE :

- When you stand up from the seat with the speed control pedal stepped on or the speed set device engaged (ON), the engine will stop regardless of whether the machine is moving or not. This is because the tractor is equipped with Operator Presence Control system (OPC).

Speed Set Device

[B2650/B3350 only]



WARNING

To avoid personal injury or death:

- Pull the speed set lever completely to the up position before starting the engine.
- Do not use the speed set device when driving on the road.
- Be sure to connect both the left and the right brakes to release the speed set device. The speed set device won't be released with singlebrake activation.

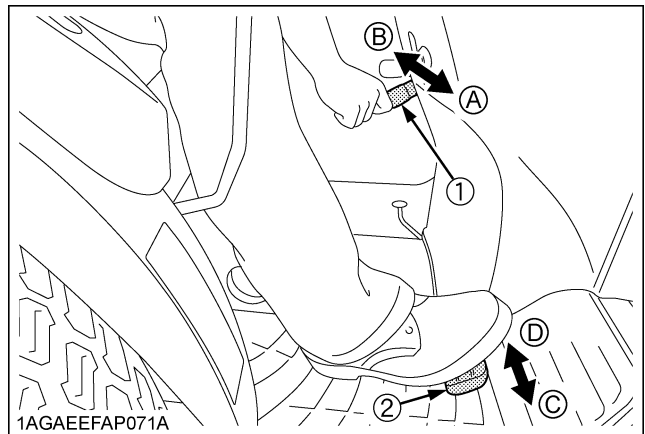
The Speed Set Device is designed for tractor operating efficiency and operator comfort. This device will provide a constant forward operating speed by mechanically holding the speed control pedal at a selected position.

To engage Speed Set Device

1. Accelerate speed to desired level using Speed Control Pedal, and push the speed set lever down to the "ON" position.
2. Release Speed Control Pedal and desired speed will be maintained.

To disengage Speed Set Device

- Depress both brake pedals.



(1) Speed set lever

(2) Speed control pedal

(A) "ON"
(B) "OFF"
(C) "Increase"
(D) "Decrease"

NOTE :

- If you step on the pedal on the forward acceleration side, the speed set device will disengage.
- The speed set device does not disengage when the individual right or left brake is applied.
- Speed set device will not operate in reverse.
- When you stand up from the seat with the speed control pedal stepped on or the speed set device engaged (ON), the engine will stop regardless of whether the machine is moving or not. This is because the tractor is equipped with Operator Presence Control system (OPC).

IMPORTANT :

- To prevent the damage of speed set device, do not depress the reverse pedal when the speed set device is engaged.

STOPPING

■ Stopping

1. Slow the engine down.
2. Step on the brake pedal.
3. After the tractor has stopped, disengage the PTO, lower the implement to the ground, shift the transmission to neutral and set the parking brake.

CHECK DURING DRIVING

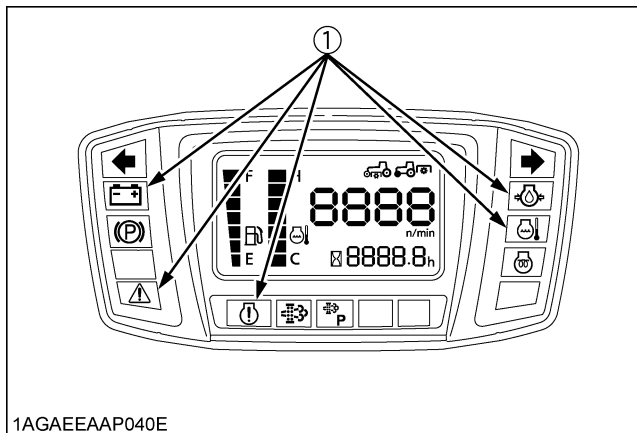
■ Immediately Stop the Engine if:

- The engine suddenly slows down or accelerates.
- Unusual noises suddenly are heard.
- Exhaust fumes suddenly become very dark.

■ Easy Checker (TM)


If the warning lamps of the Easy Checker (TM) come on during operation, immediately stop the engine, and find the cause as shown below.


Never operate the tractor while Easy Checker (TM) lamp is on.

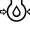


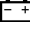
1AGAEAAAP040E


(1) Easy Checker (TM)

 **Engine warning [B3350/B3350SU only]**
 If the regeneration of the DPF has a problem, the warning lamp in the Easy Checker (TM) will come on.
 (See "PM Warning Level and required Procedures" section.)

 **Engine overheat**
 If the water temperature gauge reads an unusual level and the warning lamp in the Easy Checker (TM) comes on, the engine may have got overheated. Check the tractor by referring to "TROUBLESHOOTING" section.

 **Engine oil pressure**
 If the oil pressure in the engine goes below the prescribed level, the warning lamp in the Easy Checker (TM) will come on.
 If this should happen during operation, and it does not go off when the engine is accelerated to more than 1000 rpm, check level of engine oil.
 (See "Checking Engine Oil Level" in "DAILY CHECK" in "PERIODIC SERVICE" section.)

 **Electrical charge**
 If the alternator is not charging the battery, the warning lamp in the Easy Checker (TM) will come on.
 If this should happen during operation, check the electrical charging system or consult your local KUBOTA Dealer.

 **Master system warning**
 If the trouble is not corrected by restarting the tractor, consult your local KUBOTA Dealer.

NOTE :

- For checking and servicing of your tractor, consult your local KUBOTA Dealer for instructions.

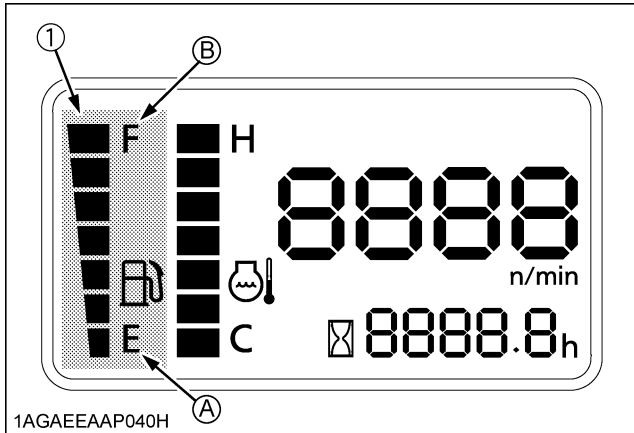
LCD MONITOR

Fuel Gauge

When the key switch is on, the fuel gauge indicates the fuel level.

Be careful not to empty the fuel tank. Otherwise air may enter the fuel system.

Should this happen, the system should be bled. (See "Bleeding Fuel System" in "SERVICE AS REQUIRED" in "PERIODIC SERVICE" section.)



(1) Fuel gauge

(A) "EMPTY"
(B) "FULL"

Coolant Temperature Gauge

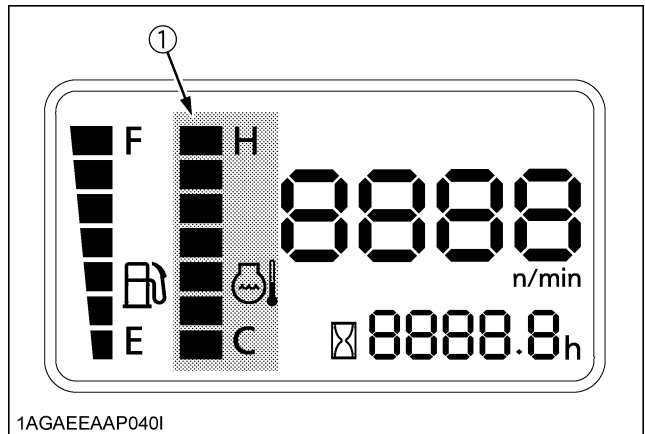


WARNING

To avoid personal injury or death:

- Do not remove radiator cap until coolant temperature is well below its boiling point. Then loosen the cap slightly to relieve any pressure before removing the cap completely.

- With the key switch "ON", this gauge indicates the temperature of the coolant. "C" for "cold" and "H" for "hot".
- If the indicator reaches the "H" position (red zone), engine coolant is overheated. Check the tractor by referring to "TROUBLESHOOTING" section.

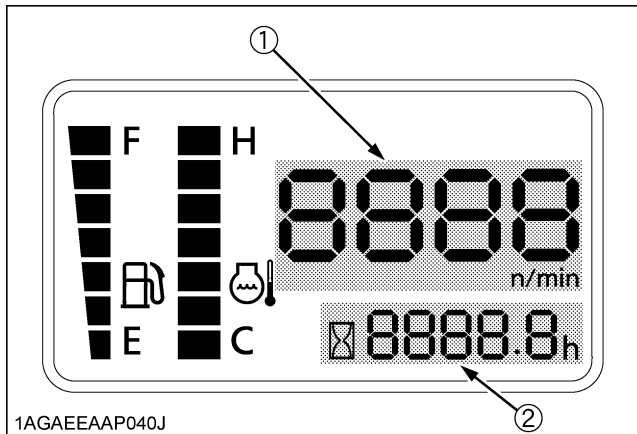


(1) Coolant temperature gauge

Hourmeter / Tachometer

This meter gives readings for engine speed, PTO shaft speed and the hours the tractor has been operated.

1. The tachometer indicates the engine speed and the PTO shaft speed location on the dial.
2. The hourmeter indicates in 5 digits the hours the tractor has been used; the last digit indicates 1/10 of an hour.

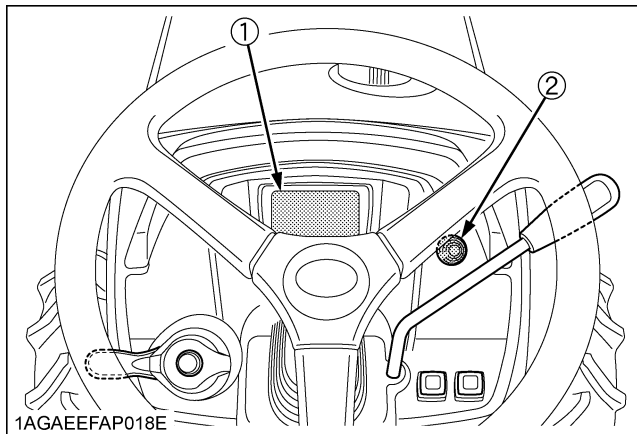


1AGAEAAAP040J

- (1) Engine revolution / PTO speed
- (2) Hours used

Changing Display Mode

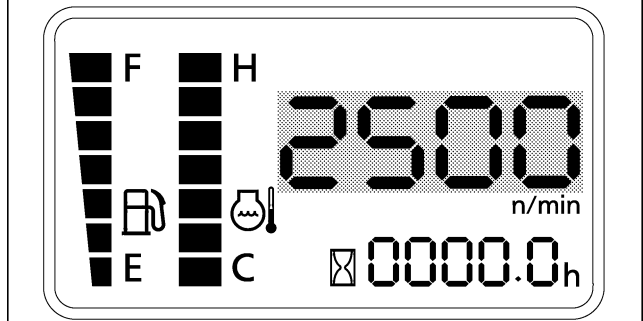
1. The LCD monitor give several different displays.
2. The LCD monitor displays "Engine rpm" normally.
3. The display switch is pressed, the display is switched to "Rear PTO speed", "Mid PTO speed", "Engine rpm".



1AGAEFAP018E

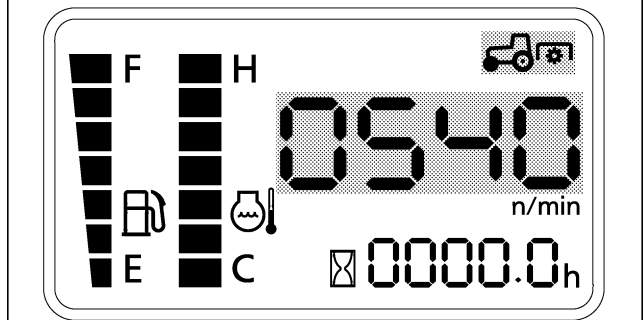
- (1) LCD monitor
- (2) Display switch

Engine rpm



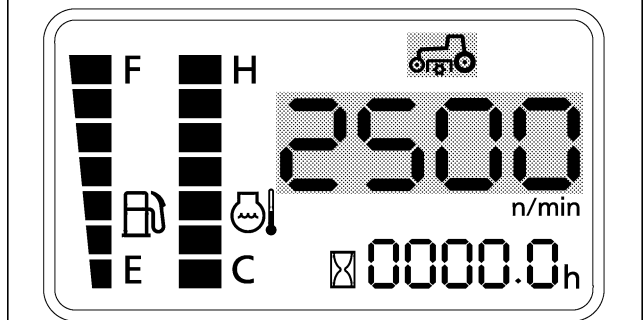
1AGAEAAAP040L

Rear PTO speed



1AGAEAAAP040M

Mid PTO speed



1AGAEAAAP040N

NOTE :

- Models that are not equipped with the "Mid PTO" also display "Mid PTO speed".

PARKING

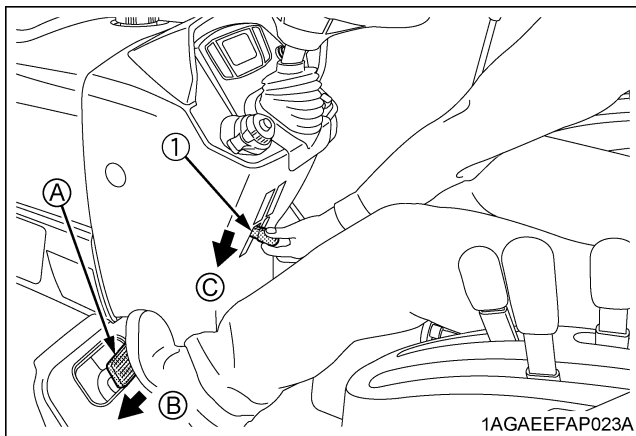
■ Parking

WARNING

To avoid personal injury or death:

- Always set the parking brake, stop the engine and remove the key before leaving the tractor seat.

1. When parking, be sure to set the parking brake. To set the parking brake;
 - (1) Interlock the brake pedals.
 - (2) Depress the brake pedals.
 - (3) Latch the brake pedals with the parking brake lever.



(1) Parking brake lever

(A) Interlock the brake pedals
(B) "DEPRESS"
(C) "PULL DOWN"

2. Before getting off the tractor, disengage the PTO, lower all implements to the ground, place all control levers in their neutral positions, set the parking brake, stop the engine and remove the key.
3. If it is necessary to park on an incline, be sure to chock the wheels to prevent accidental rolling of the machine.

OPERATING TECHNIQUES

■ Differential Lock

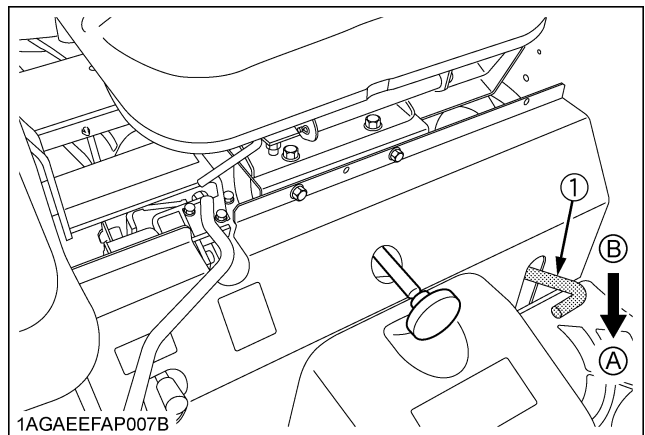
WARNING

To avoid personal injury or death due to loss of steering control:

- Do not operate the tractor at high speed with differential lock engaged.
- Do not attempt to turn with the differential lock engaged.
- Be sure to release the differential lock before making a turn in field conditions.

If one of the rear wheels should slip, step on the differential lock pedal. Both wheels will turn together, then reduce slippage.

Differential lock is maintained only while the pedal is depressed.



(1) Differential lock pedal

(A) Press to "ENGAGE"
(B) Release to "DISENGAGE"

IMPORTANT :

- When using the differential lock, always slow the engine down.
- To prevent damage to power train, do not engage differential lock when one wheel is spinning and the other is completely stopped.
- If the differential lock cannot be released in the above manner, step lightly on the brake pedals alternately.

■ Operating the Tractor on a Road

WARNING

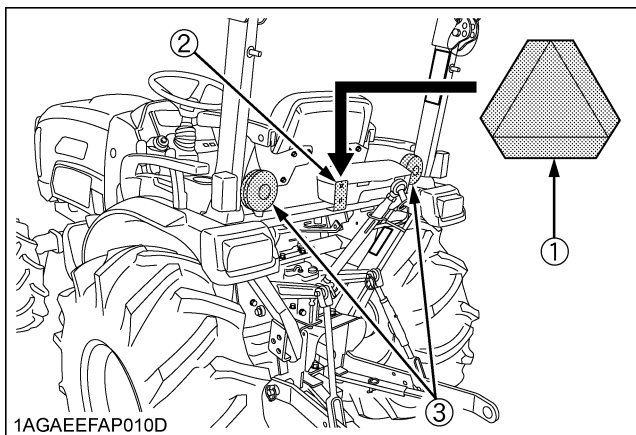
To avoid personal injury or death:

- To help assure straight line stops when driving at transport speeds, lock the brake pedals together. Uneven braking at road speeds could cause the tractor to roll-over.
- When traveling on road with 3-point hitch mounted implement attached, be sure to have sufficient front weight on the tractor to maintain steering ability. (See "BALLAST" section.)
- Towed equipment (without brake) must not exceed 1.5 times the tractor weight when traveling on roads or at high speeds.

Be sure SMV emblem and hazard light are clean and visible. If towed or rear-mounted equipment obstructs these safety devices, install SMV emblem and hazard light on equipment.

If towed or rear-mounted agricultural equipment obstructs these safety devices, do not travel on public road.

Consult your local KUBOTA dealer for further detail.



- (1) SMV emblem
 (2) Bracket
 (3) Hazard light

■ Operating on Slopes or Rough Terrain

WARNING

To avoid personal injury or death:

- Always back up when going up a steep slope. Driving forward could cause the tractor to tip over backward. Stay off hills and slopes too steep for safe operation.
- Avoid changing gears when climbing or descending a slope.
- If operating on a slope, never disengage shift levers to neutral. Doing so could cause loss of control.
- Do not drive the tractor close to the edges of ditches or banks which may collapse under the weight of the tractor. Especially when the ground is loose or wet.

1. Slow down for slopes, rough ground, and sharp turns, especially when transporting heavy, rear mounted equipment.
2. Before descending a slope, be sure that the range lever is in the low so that speed can be controlled without using brakes.

■ Transport the Tractor Safely

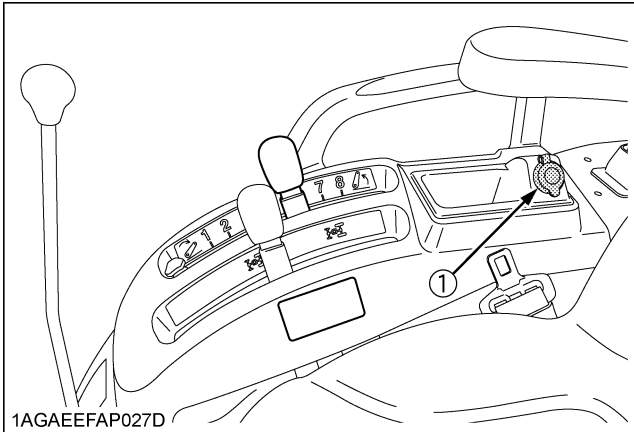
1. The tractor, if damaged, must be carried on a truck. Secure the tractor tightly with ropes.
2. Follow the instruction below when towing the tractor: Otherwise, the tractor's powertrain may get damaged.
 - Set the all shift levers to "NEUTRAL" position.
 - If possible, start engine and select 2WD, if creep speed is fitted ensure that it is disengaged.
 - Tow the tractor using its front hitch or drawbar.
 - Never tow faster than "10 km/h (6.2 mph)".

■ Directions for Use of Power Steering

1. Power steering is activated only while the engine is running. While the engine is stopped, the tractor functions in the same manner as tractors without power steering.
2. When the steering wheel is turned all the way to the stop, the relief valve is activated. Do not hold the steering wheel in this position for a long period of time.
3. Avoid turning the steering wheel while the tractor is stopped, or tires may wear out sooner.
4. The power steering mechanism makes the steering easier. Be careful when driving on a road at high speeds.

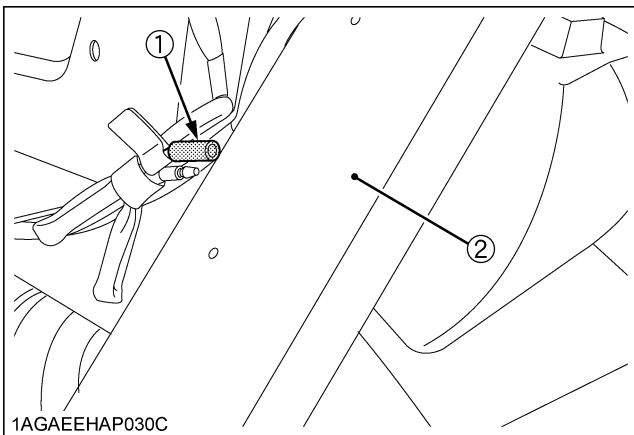
■ Electrical Outlet

An electrical outlet is supplied for use with implement and electrical equipment.



1AGAEFAP027D

(1) Accessory electrical outlet (DC 12V, MAX 120W)



1AGAEHAP030C

(1) Accessory electrical outlet (DC 12V, MAX 120W)
(2) ROPS (Right side)

PTO

PTO OPERATION

WARNING

To avoid personal injury or death:

- Before operation, be sure to select the correct PTO lever (mid, mid/rear, rear).

WARNING

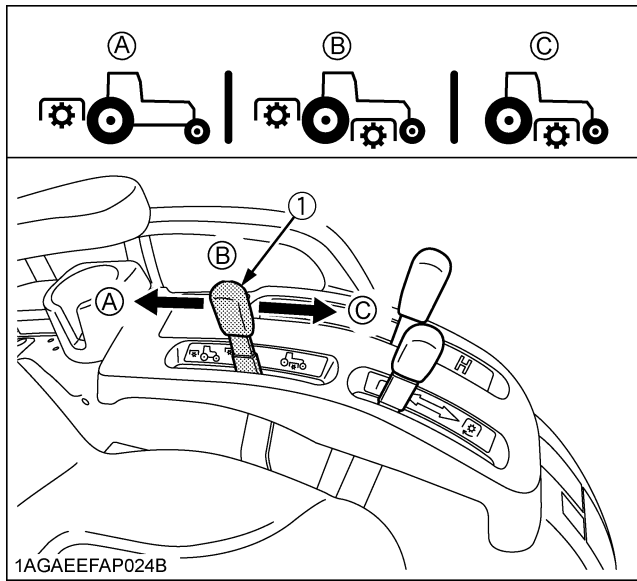
To avoid personal injury or death:

- Disengage PTO, stop engine, and allow all rotating components to come to a complete stop before connecting, disconnecting, adjusting, or cleaning any PTO driven equipment.

Model [B2650/B3350]

■ PTO Select Lever

The tractor has a 540 rpm rear PTO speed and a 2 500 rpm mid-PTO speed.



(1) PTO select lever

(A) Rear-PTO position

(B) Mid-Rear-PTO position

(C) Mid-PTO position

◆ Mid-PTO

To use Mid-PTO, shift the PTO select lever to Mid-PTO position and the PTO clutch lever to the "ON" position.

◆ Mid-Rear PTO

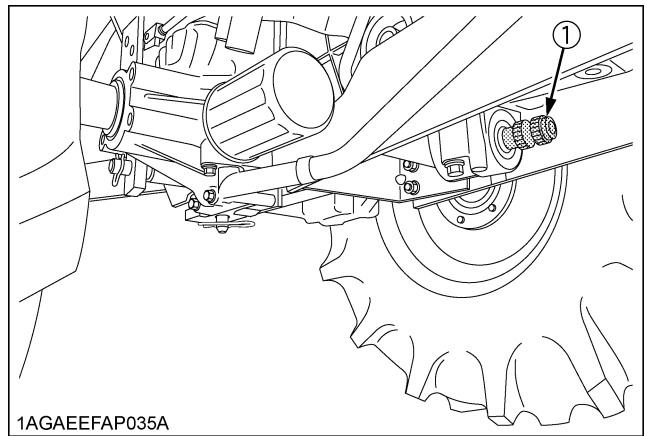
To use mid and rear PTO at the same time, shift the PTO select lever to mid-rear PTO position and the PTO clutch lever to the "ON" position.

◆ Rear PTO

To use rear PTO, shift the PTO select lever to rear PTO position and the PTO clutch lever to the "ON" position.

◆ Mid-PTO

The Mid-PTO is available for KUBOTA approved implements.



(1) Mid-PTO

◆ Mid-PTO

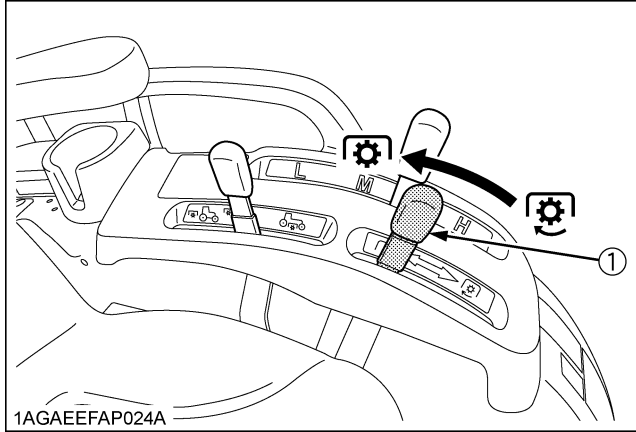
		B2650/B3350
Engine speed	rpm	2500
PTO speed	rpm	2500

◆ Rear PTO

		B2650/B3350
Engine speed	rpm	2398
Shaft		6-spline
PTO speed	rpm	540

■ PTO Clutch Lever

1. The PTO clutch lever engages or disengages the PTO clutch which gives the PTO independent control.
2. Shift the lever to "ON" to engage the PTO clutch. Shift the lever to "OFF" to disengage the PTO clutch.



(1) PTO clutch lever

⊗ "ON" "ENGAGE"
⊗ "OFF" "DISENGAGE"

IMPORTANT :

- To avoid shock loads to the PTO, reduce engine throttle from high idle to low idle by pushing up on engine throttle when engaging the PTO, then open the throttle to the recommended engine rpm.
- To avoid damage to PTO clutch and implement, shift the PTO clutch lever slowly, when engaging the PTO clutch. Do not keep the PTO clutch lever half way.
- To avoid damage of transmission, when PTO select lever is not smoothly shifted, slightly shift PTO clutch lever.
- To avoid damage of transmission, do not shift PTO select lever until the PTO has stopped completely.

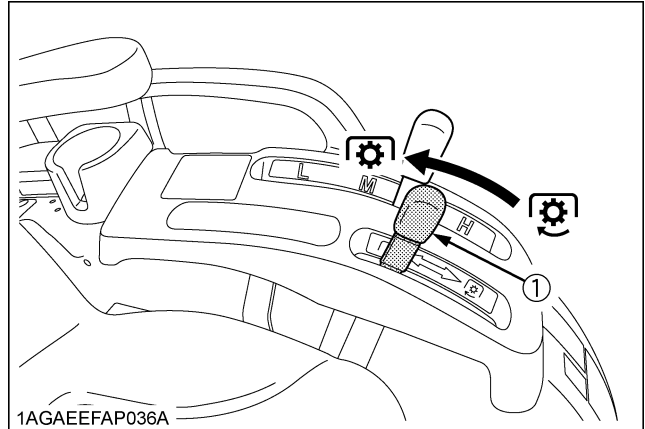
NOTE :

- Tractor engine will not start if the PTO clutch lever is in the engaged "ON" position.
- When you stand up from the seat with the PTO clutch lever in the "ON" position, the engine will stop regardless of the position of the PTO select lever. This is because the tractor is equipped with Operator Presence Control system (OPC).

Model [B3350SU]

■ PTO Clutch Lever

1. The tractor has a 540 rpm speed position.
2. Shift the lever to "ON" to engage the PTO clutch. Shift the lever to "OFF" to disengage the PTO clutch.



(1) PTO clutch lever

⊗ "ON" "ENGAGE"
⊗ "OFF" "DISENGAGE"

IMPORTANT :

- To avoid shock loads to the PTO, reduce engine throttle from high idle to low idle by pushing up on engine throttle when engaging the PTO, then re-engage the engine to high idle.
- To avoid damage to PTO clutch and implement, shift the PTO clutch lever slowly, when engaging the PTO clutch. Do not keep the PTO clutch lever half way.

		B3350SU
Engine speed	rpm	2398
Shaft		6-spline
PTO speed	rpm	540

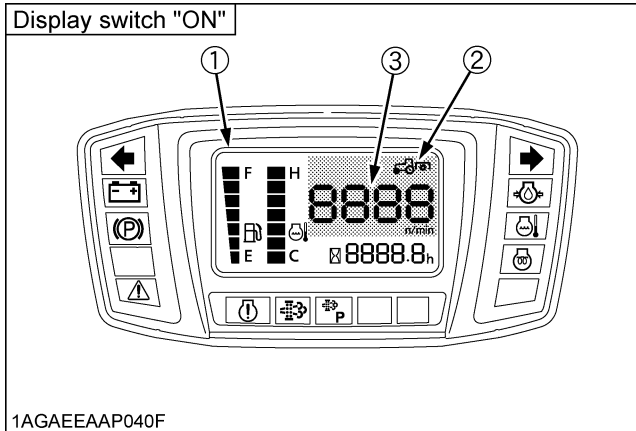
NOTE :

- Tractor engine will not start if the PTO clutch lever is in the engaged "ON" position.
- When you stand up from the seat with the PTO clutch lever in the "ON" position, the engine will stop regardless of the position of the PTO select lever. This is because the tractor is equipped with Operator Presence Control system (OPC).

Model [B2650/B3350/B3350SU]

LCD Monitor Message

1. The PTO rpm can be checked in the LCD monitor. (See "LCD MONITOR" in "OPERATING THE TRACTOR" section.)



- (1) LCD monitor
- (2) PTO indicator
- (3) PTO speed

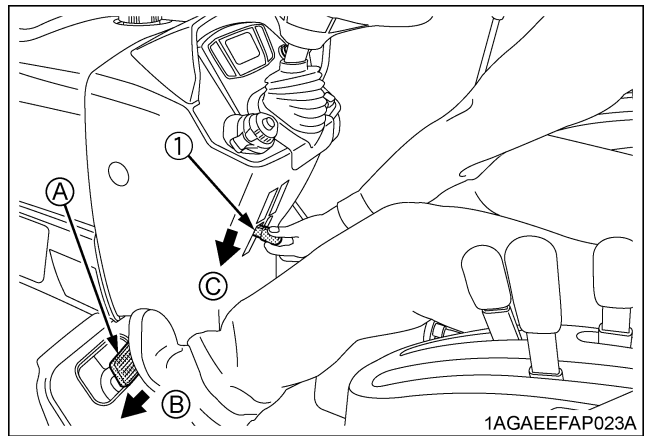
NOTE :

- With the PTO in the "ON" position, a numeric value is displayed on the LCD monitor even if the PTO shaft is not turning.

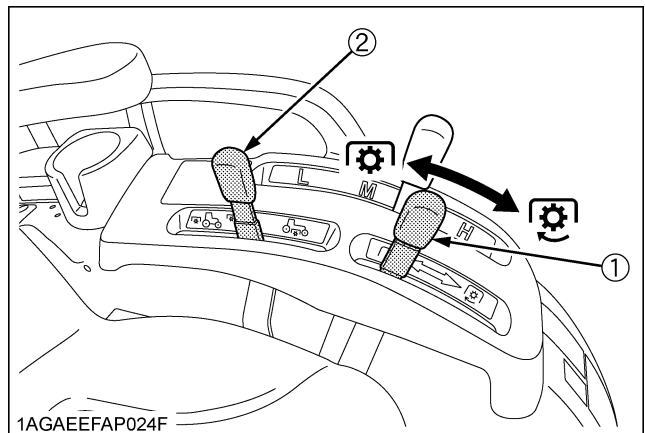
Stationary PTO

To park the tractor and use the PTO system (for chipper or pump, for example), start the PTO system in the following steps.

1. Apply the parking brake and place blocks at the tires.
2. Make sure the shift levers are at NEUTRAL, and start the engine.
3. Set the PTO select lever to rear only position. **[B2650/ B3350 only]**
4. Set the PTO clutch lever to engage "ON".
5. Set the engine speed to provide recommended rear PTO speed.
6. Get off the tractor.



- (1) Parking brake lever
- (A) Interlock the brake pedals
- (B) "DEPRESS"
- (C) "PULL DOWN"



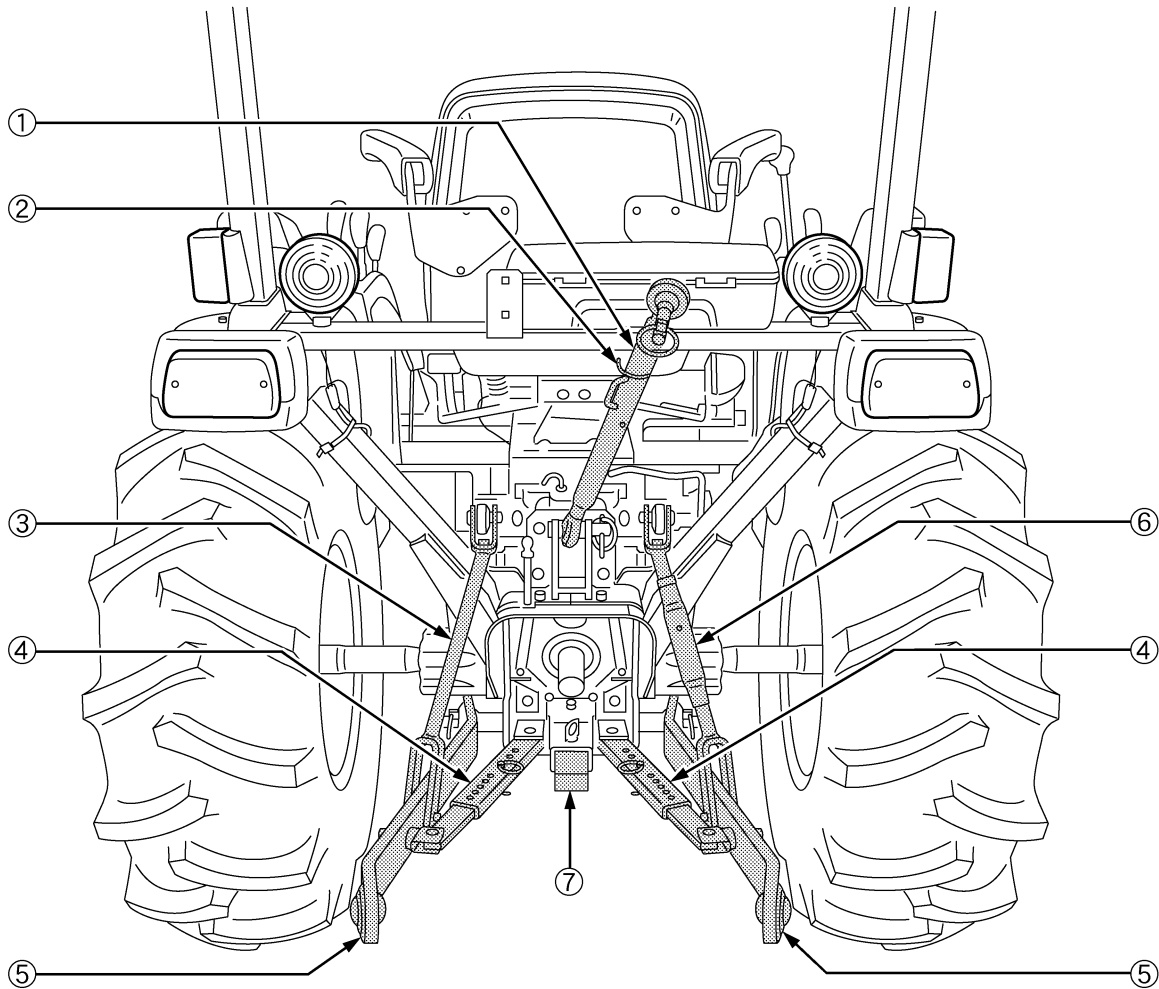
- (1) PTO clutch lever
- (2) PTO select lever
- [B2650/B3350 only]
- ☒ "ON"
- ☒ "OFF"

NOTE :

- If the PTO system is engaged and you stand up from the seat and release the parking brake, the engine stops automatically after standing up.

3-POINT HITCH & DRAWBAR

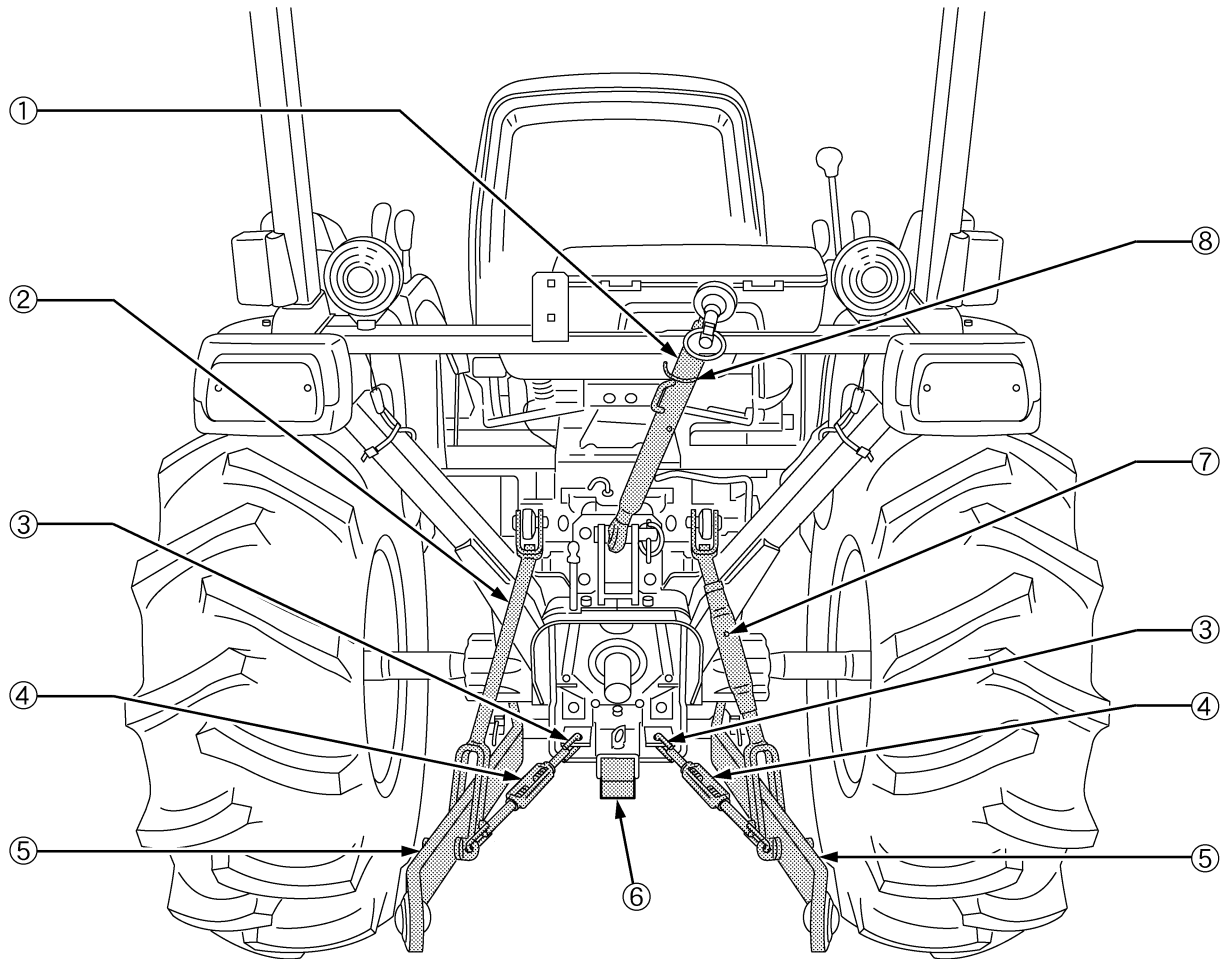
[B2650/B3350]



1AGAEFAP029B

- (1) Top link
- (2) Top link holder
- (3) Lifting rod (Left)
- (4) Telescopic stabilizers
- (5) Lower link
- (6) Lifting rod (Right)
- (7) Drawbar

[B3350SU]



1AGAEFAP037A

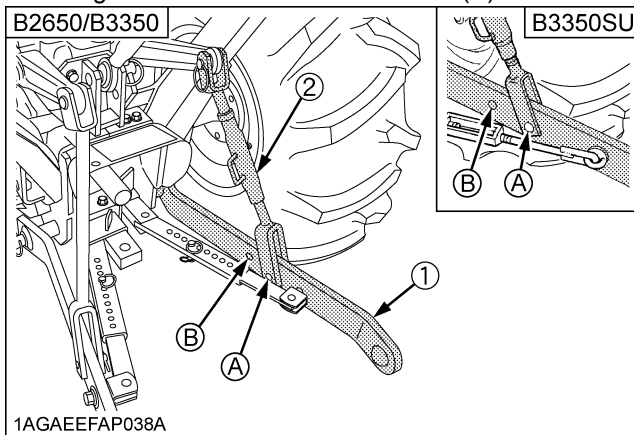
- (1) Top link
- (2) Lifting rod (Left)
- (3) Check chains
- (4) Turnbuckle
- (5) Lower link
- (6) Drawbar
- (7) Lifting rod (Right)
- (8) Top link holder

3-POINT HITCH

1. Make preparations for attaching implement.

■ Selecting the holes of lifting rods and lower links

There are 2 holes in the lower links. For most operations the lifting rods should be attached to the (A) holes.



(1) Lower links
(2) Lifting rods

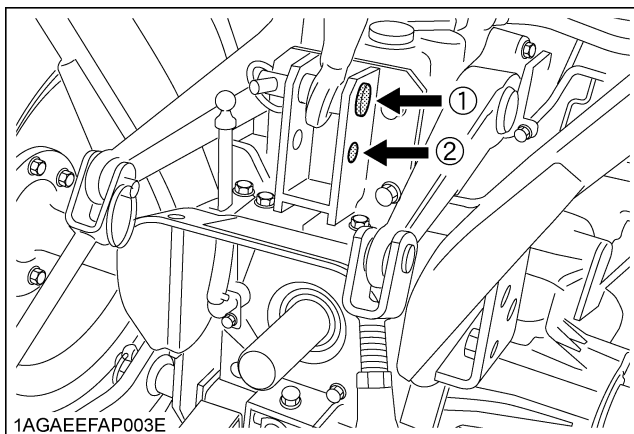
Holes: (A), (B)

NOTE :

- The lifting rods may be attached to (B) hole for higher lifting height (with reduced lifting force).

■ Selecting the Top Link Mounting Holes

Select the proper set of holes by referring to the "Hydraulic Control Unit Use Reference Chart" in "HYDRAULIC UNIT" section.



(1) Mounting hole 1
(2) Mounting hole 2

■ Drawbar

Remove the drawbar if a close mounted implement is being attached.

2. Attaching and detaching implements.



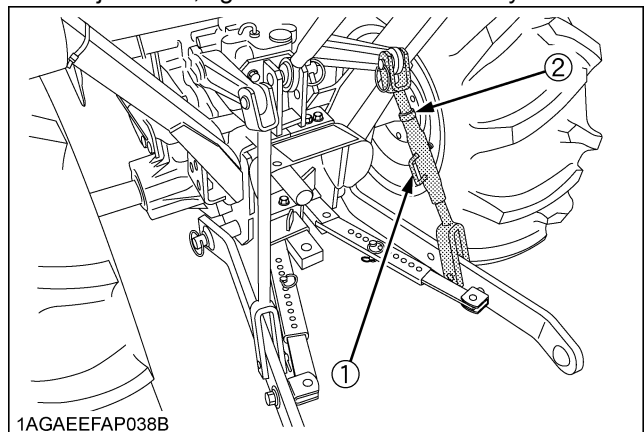
WARNING

To avoid personal injury or death:

- Be sure to stop the engine and remove the key.
- Do not stand between tractor and implement unless parking brake is applied.
- Before attaching or detaching implement, locate the tractor and implement on a firm, flat and level surface.
- Whenever an implement or other attachment is connected to the tractor 3-point hitch, check full range of operation for interference, binding or PTO driveline separation.

■ Lifting Rod (Right)

Level a 3-point mounted implement from side to side by turning the adjusting handle to shorten or lengthen the adjustable lifting rod with the implement on the ground. After adjustment, tighten the lock nut securely.



(1) Adjusting handle
(2) Lock nut

■ Top Link

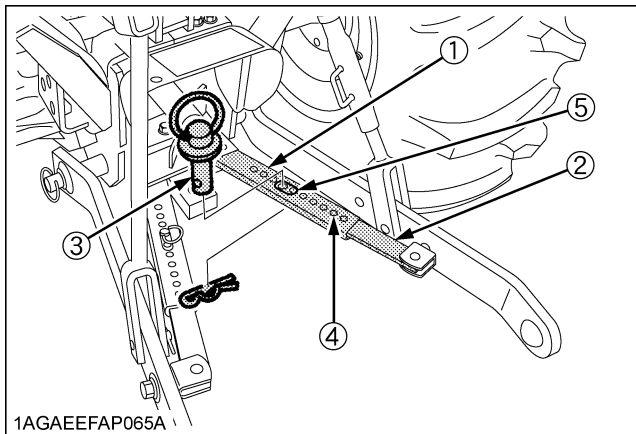
1. Adjust the angle of the implement to the desired position by shortening or lengthening the top link.
2. The proper length of the top link varies according to the type of implement being used.

■ Telescopic Stabilizers

[B2650/B3350 only]

Adjust the telescopic stabilizers to control horizontal sway of the implement. Select the proper set of holes by referring to the "Hydraulic Control Unit Use Reference Chart" in "AUXILIARY HYDRAULICS" in "HYDRAULIC UNIT" section.

After aligning satisfactorily, insert the set-pin through any one of the 8 holes on the outer tube that align with one of the holes on the inner bar, both stabilizers will be locked. If the set-pin is inserted through the slot to engage one of the holes on the inner bar, a limited degree of sway will be permitted.



1AGAEFAP065A

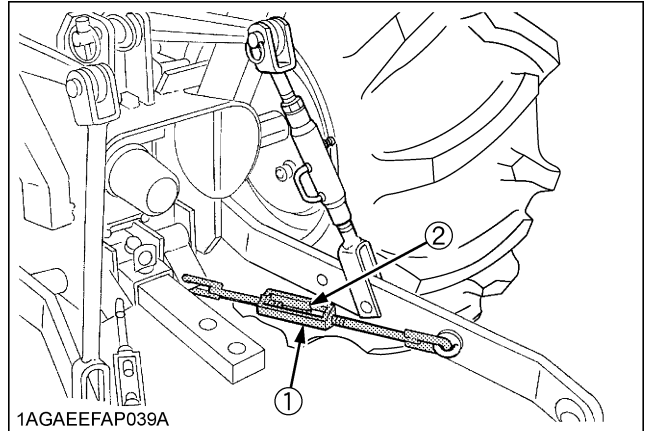
- (1) Outer tube
- (2) Inner bar
- (3) Set-pin
- (4) Hole
- (5) Slot

■ Check Chains

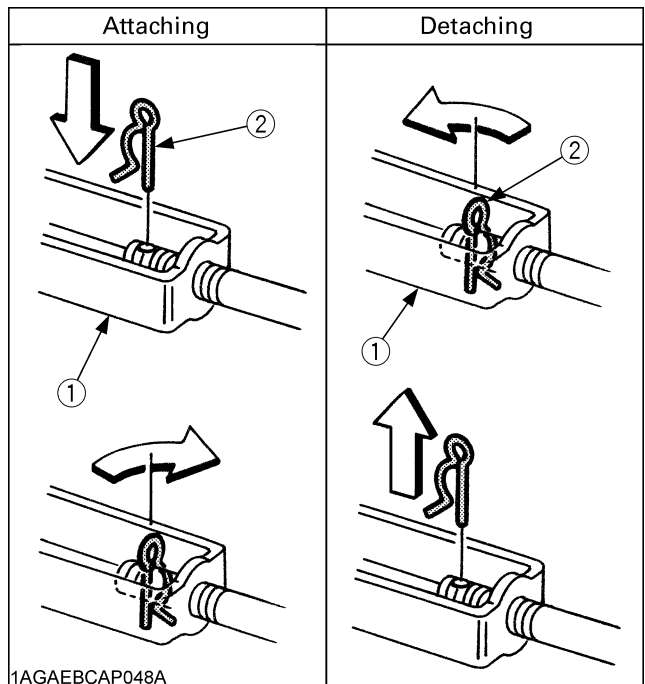
[B3350SU only]

Remove the snap pin and adjust the turnbuckle to control horizontal sway of the implement.

After adjustment, re-set the snap pin.



1AGAEFAP039A



1AGAEBCAP048A

- (1) Turnbuckle
- (2) Snap pin

DRAWBAR



WARNING

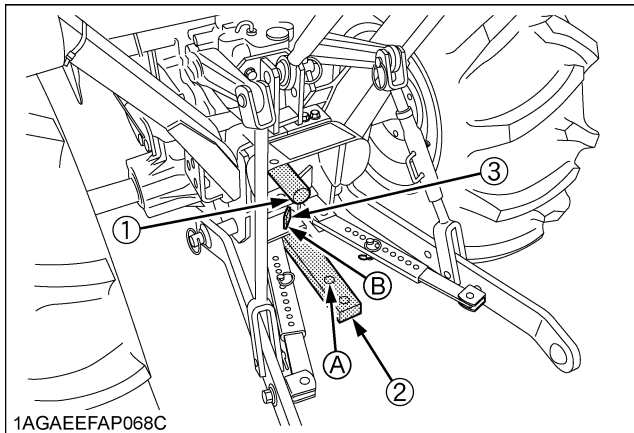
To avoid personal injury or death:

- Never pull from the top link, the rear axle or any point above the drawbar. Doing so could cause the tractor to tip over rearward causing personal injury or death.

■ Adjusting Drawbar Length

When towing an implement, use of (B) hole in drawbar is recommended.

The acceptable drawbar load is provided in the "IMPLEMENT LIMITATIONS" section.



- (1) PTO Shaft cap
(2) Drawbar
(3) Drawbar pin

Hole: (A), (B)

HYDRAULIC UNIT

3-POINT HITCH CONTROL SYSTEM



WARNING

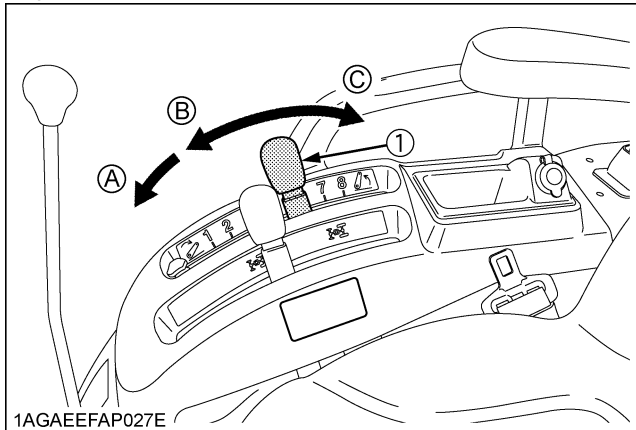
To avoid personal injury or death:

- Before using the 3-point hitch controls, ensure that no person or object is in the area of the implement or 3-point hitch. Do not stand on or near the implement or between the implement and tractor when operating the 3-point hitch controls.

■ Position Control

[B2650/B3350 only]

This will control the working depth of 3-point hitch mounted implement regardless of the amount of pull required.



(1) Position control lever

(A) "FLOAT"
(B) "DOWN"
(C) "UP"

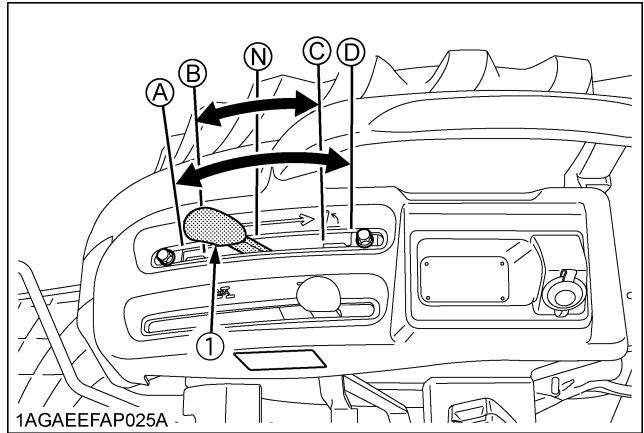
■ Hydraulic Control

[B3350SU only]

Operating the hydraulic control lever actuates the hydraulic lift arm, which controls the height of 3-point hitch mounted implement.

To lower implement, push the lever forward; to raise it, pull the lever back. After setting the implement to the desired height, move the lever back to "NEUTRAL" position.

The lever position (B) or (C) enables you to control the valve with ease in increments of approximately 1/4 inches at the lower link end.



(1) Hydraulic control lever

(A) "DOWN"
(B) "SLOW DOWN"
(N) "NEUTRAL"
(C) "SLOW UP"
(D) "UP"

IMPORTANT :

- If the 3-point hitch can not be raised by setting the hydraulic control lever to the UP position after long term storage or when changing the transmission oil, turn steering wheel to the right and left several times to bleed air from the system.
- Do not operate until the engine is warmed up. If operation is attempted when the engine is still cold, the hydraulic system may be damaged.
- If noises are heard when implement is lifting after the hydraulic control lever has been activated, the hydraulic mechanism is not adjusted properly. Unless corrected, the unit will be damaged. Contact your KUBOTA Dealer for adjustment.

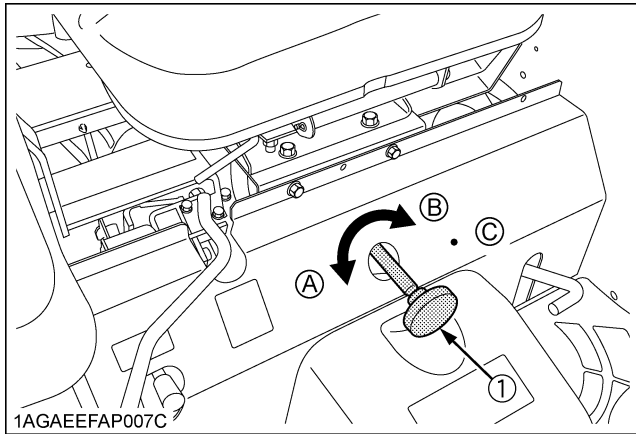
3-point Hitch Lowering Speed

WARNING

To avoid personal injury or death:

- Fast lowering speed may cause damage or injury. Lowering speed of implement should be adjusted to 2 or more seconds.

The lowering speed of the 3-point hitch can be controlled by adjusting the 3-point hitch lowering speed knob.



(1) 3-Point hitch lowering speed knob (A) "FAST"
(B) "SLOW"
(C) "LOCK"

AUXILIARY HYDRAULICS

Hydraulic outlet (rear) is provided on the tractor.

Hydraulic Block Type Outlet

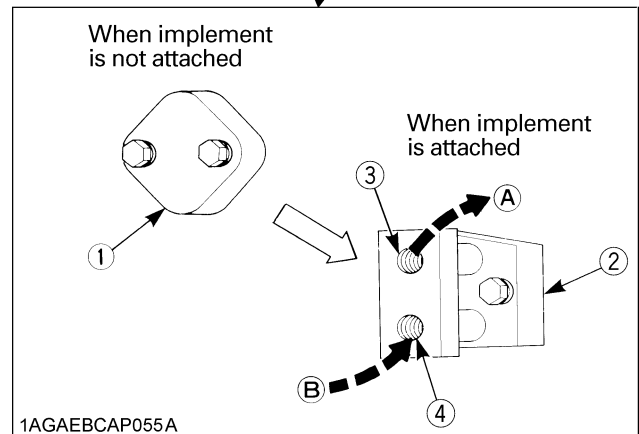
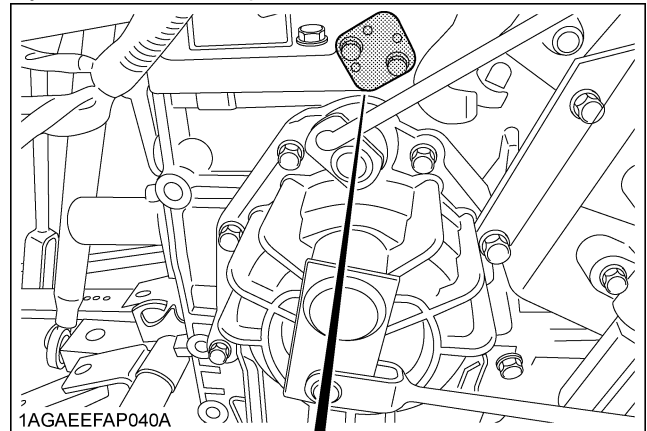
Hydraulic block type outlet is useful when adding hydraulically operated equipment such as front end loader, front blade, etc.

When an implement is attached

1. Remove the block cover.
2. Attach the block outlet cover. (option)

[Rear outlet]

Hydraulic outlets are provided on the tractor.



(1) Block cover (A) To implement inlet
(2) Block outlet cover (option) Max. flow
(3) Outlet [B2650]: 20.1 L/min
(4) Inlet (5.3 U.S.gals./min)
[B3350/B3350SU]:
18.9 L/min
(5.0 U.S.gals./min)
Max. pressure
15.8 to 16.6 MPa
(161 to 169 kgf/cm²)
(2292 to 2408 psi)
(B) from implement outlet

NOTE :

- If the implement control valve has a relief valve, the tank port flow from implement should be connected to the port located on the right hand side of transmission case.

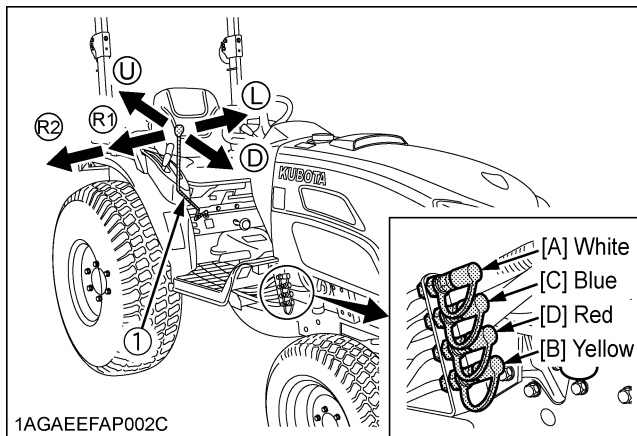
DUAL REMOTE HYDRAULIC CONTROL SYSTEM

The tractor is equipped with the double-acting 2-segment hydraulic control valve for the front loader.

To apply the hydraulic power take-off for general attachments, keep the following point in mind.

Control Lever and Hydraulic Hose Connections

Connect the control lever in its specified direction and the hydraulic hoses to their specified ports.



(1) Loader / Remote control valve lever (R) "RIGHT"
(L) "LEFT"
(U) "UP"
(D) "DOWN"

Pressure →
Hydraulic outlet ports of first segment Returning ←

Lever		UP		DOWN	
Port	[A]	In	←	Out	→
	[B]	Out	→	In	←

Hydraulic outlet ports of second segment

Lever		RIGHT		LEFT	
Port	[C]	In	←	Out	→
	[D]	Out	→	In	←

IMPORTANT :

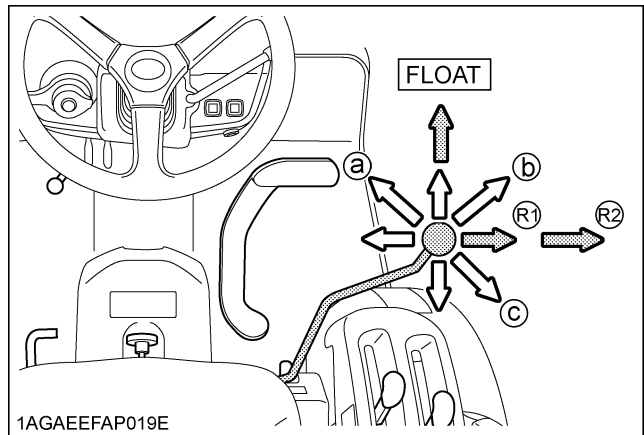
To avoid damage of the attachments:

- Do not connect attachments through the hydraulic motor to the [C] and [D] ports. If the control lever is moved to the Regeneration position (R1), the seals on the hydraulic motor will be damaged.
- This control valve is provided with the Regeneration position. When the [C] and [D] ports are used to take off hydraulic power for the hydraulic cylinder, be sure to connect the [C] port to the "Head-End" side port of the hydraulic cylinder.
- Make the following connections when using this valve to take off hydraulic power for the hydraulic cylinder.

Colored Coupler	Hydraulic Cylinder port
[B: Yellow], [C: Blue]	Head-End side
[A: White], [D: Red]	Rod-End side

Loader / Remote Control Valve Lever

1. Before moving the lever, make sure that the hydraulic hoses for attachments are connected.
2. Move the lever diagonally (a, b, c shown in the figure), and the first and second segments can be controlled simultaneously.



NOTE :

- Move the lever to the "FLOAT" position, and it will be held there by the detent mechanism. To use the valve as a floating valve with detents, connect the hydraulic hoses to ports [A] and [B].
- When taking off hydraulic power from port [D], the flow rate can be adjusted in 2 stages with the lever. The flow rate is high at position (R1) and low at position (R2). Move the lever to position (R1) or (R2) depending on the attachment in use.

■ Valve Lock

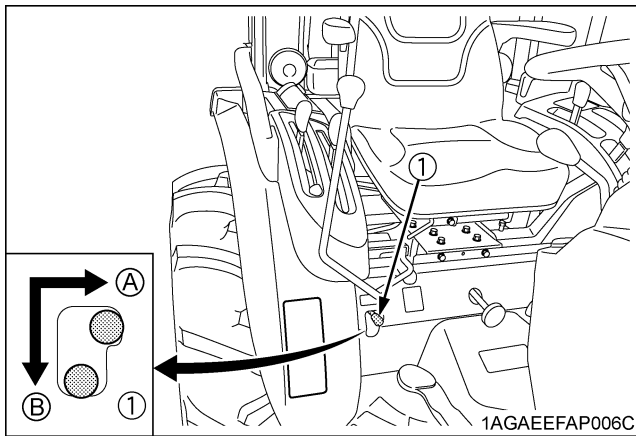


WARNING

To avoid serious injury or death from crushing:

- Do not utilize the valve lock for machine maintenance or repair.
- The valve lock is to prevent accidental actuation when implement is not in use or during transport.

The control valve is equipped with a valve lock feature.
The control valve is locked in the "LOCK" position.
The lock is not intended and will not prevent a leak down of the implement during the period of storage.




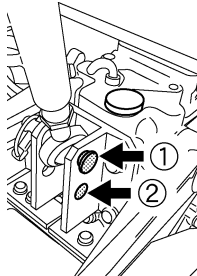
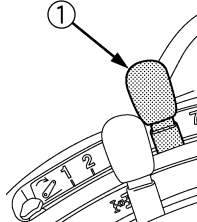
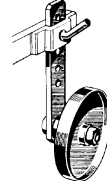
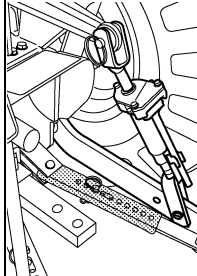
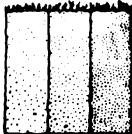
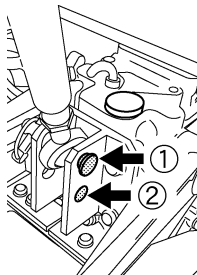
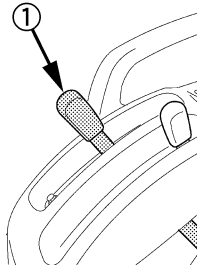
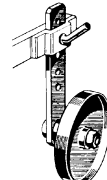
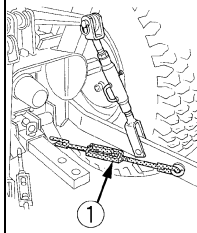
(1) Lock lever

(A) "UNLOCK"

(B) "LOCK"

Hydraulic Control Unit Use Reference Chart

In order to handle the hydraulics properly, the operator must be familiar with the following. Though this information may not be applicable to all types of implements and soil conditions, it is useful for general conditions.

Implement	B2650/B3350					
						Remarks
	1AGAI AZAP122A Soil condition	1AGAE EAAP030B Top link mounting holes	1AGAE EFAP027F (1) Position control lever	1AGAI AZAP070A Gauge wheel	1AGAE EAAP029C Telescopic stabilizers	
B3350SU						
						Remarks
	1AGAI AZAP122A Soil condition	1AGAE EAAP030B Top link mounting holes	1AGAE CHAP022C (1) Hydraulic control lever	1AGAI AZAP070A Gauge wheel	1AGAE BCAP060A (1) Check chains	
Moldboard plow	Light soil Medium soil Heavy soil	Hole1	[B2650/B3350] Position control	YES/NO	Loose	[B2650/B3350] Insert the set-pin through the slot on the outer tube that align with one of the holes on the inner bar.
Disc plow	---					
Harrower (spike, springtooth, disc type)	---					
Sub-soiler	---					
Weeder, ridger	---					
Earthmover, digger, scraper, manure fork, rear carrier	---					
Mower (mid-and rear-mount type), hayrake, tedder..	---	*Hole2 is used only when there is some obstacle that prevents you from using the hole1.	[B3350SU] Hydraulic control	YES/NO	Tighten	[B3350SU] Check chains should be tight enough to prevent excessive implement movement when implement is in raised position. For implements with gauge wheels, lower the implements to the ground.

TIRES, WHEELS AND BALLAST

TIRES



WARNING

To avoid personal injury or death:

- Do not attempt to mount a tire on a rim. This should be done by a qualified person with the proper equipment.
- Always maintain the correct tire pressure. Do not inflate tires above the recommended pressure shown in the operator's manual.

IMPORTANT :

- Do not use tires other than those approved by KUBOTA.

■ Inflation Pressure

Though the tire pressure is factory-set to the prescribed level, it naturally drops slowly in the course of time. Thus, check it everyday and inflate as necessary.

	Tire sizes	Inflation Pressure
Rear	12.4-16, 4PR	110 kPa (1.1 kgf/cm ² , 16 psi)
	13.6-16, 4PR	100 kPa (1.0 kgf/cm ² , 14 psi)
	12.4-16Ind, 4PR	138 kPa (1.4 kgf/cm ² , 20 psi)
	[B3350/B3350SU] *15-19.5Ind, 4PR	210 kPa (2.1 kgf/cm ² , 30 psi)
Front	7-12, 4PR	170 kPa (1.7 kgf/cm ² , 24 psi)
	24x8.50-14, 4PR	150 kPa (1.5 kgf/cm ² , 22 psi)
	23x8.50-14Ind, 4PR	241 kPa (2.5 kgf/cm ² , 35 psi)
	[B3350/B3350SU] *25x8.50-14Ind, 4PR	250 kPa (2.5 kgf/cm ² , 35 psi)

IMPORTANT :

- When using large diameter industry tire with the mark *, a separate spacer kit is needed.

■ Dual Tires

Dual tires are not approved.

WHEEL ADJUSTMENT



WARNING

To avoid personal injury or death:

- When working on slopes or when working with trailer, set the wheel tread as wide as practical for maximum stability.
- Support tractor securely on stands before removing a wheel.

- Do not work under any hydraulically supported devices. They can settle, suddenly leak down, or be accidentally lowered. If necessary to work under tractor or any machine elements for servicing or adjustment, securely support them with stands or suitable blocking beforehand.
- Never operate tractor with a loose rim, wheel, or axle.

■ Front Wheels

Front tread width can not be adjusted.

IMPORTANT :

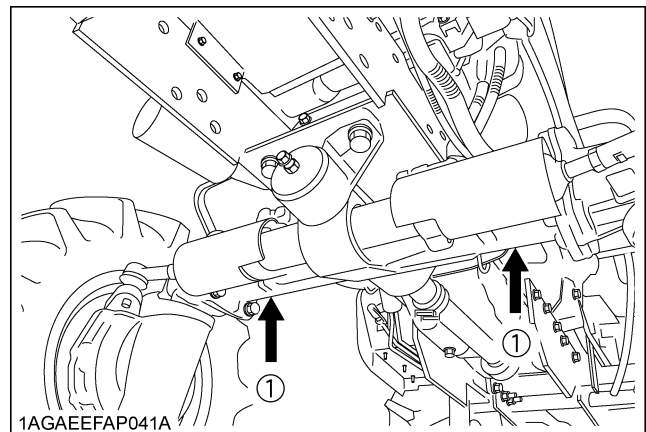
- Do not turn front discs to obtain wider tread. In setting up the front wheels, make sure that the inflation valve stem of the tires face outward.
- When re-fitting or adjusting a wheel, tighten the bolts to the following torques then recheck after driving the tractor 200 m (200 yards) and 10 times of shuttle movement by 5 m (5 yards), and thereafter according to service interval. (See "MAINTENANCE" section.)



WARNING

To avoid personal injury or death:

- Before jacking up the tractor, park it on a firm and level ground and chock the rear wheels.
- Fix the front axle to keep it from pivoting.
- Select jacks that withstand the machine weight and set them up as shown below.



(1) Jack point

■ Rear Wheels

Rear tread width can not be adjusted.

IMPORTANT :

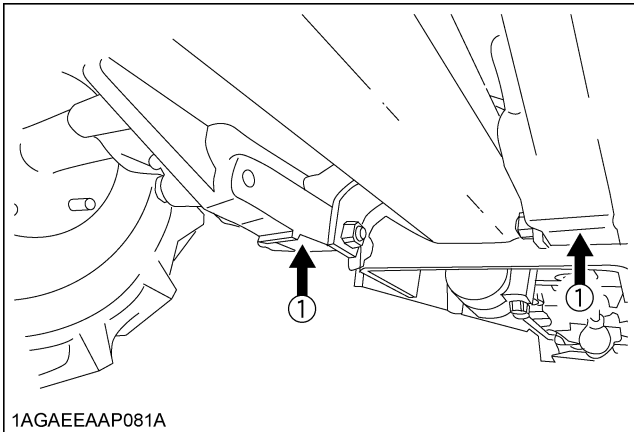
- When re-fitting or adjusting a wheel, tighten the bolts to the following torques then recheck after driving the tractor 200 m (200 yards) and 10 times of shuttle movement by 5 m (5 yards), and thereafter according to service interval. (See "MAINTENANCE" section.)



WARNING

To avoid personal injury or death:

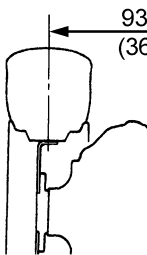
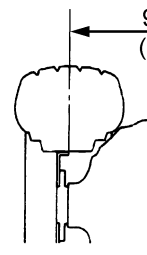
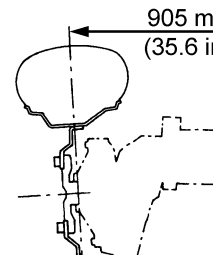
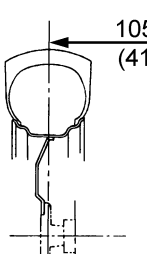
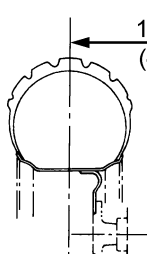
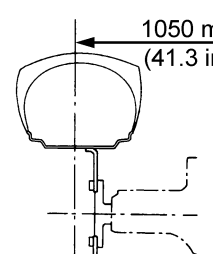
- Before jacking up the tractor, park it on a firm and level ground and chock the front wheels.
- Fix the front axle to keep it from swinging.
- Select jacks that withstand the machine weight and set them up as shown below.



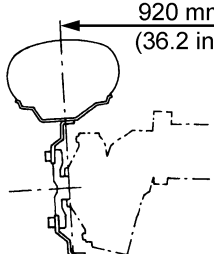
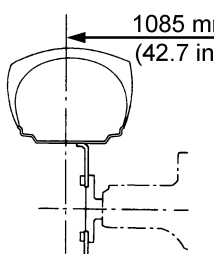
(1) Jack point

■ Treads

[B2650/B3350/B3350SU]

Front	7-12 Farm	24x8.50-14 Turf	23x8.50-14 Ind.
	 <p>935 mm (36.8 in.)</p> <p>1AGAEBMAP024A</p>	 <p>930 mm (36.6 in.)</p> <p>1AGAEBMAP025A</p>	 <p>905 mm (35.6 in.)</p> <p>1AGAEBMAP026A</p>
Rear	12.4-16 Farm	13.6-16 Turf	12.4-16 Ind.
	 <p>1050 mm (41.3 in.)</p> <p>1AGAEBMAP027A</p>	 <p>1050 mm (41.3 in.)</p> <p>1AGAEBMAP028A</p>	 <p>1050 mm (41.3 in.)</p> <p>1AGAEBMAP029A</p>

[B3350/B3350SU only]

Front	25x8.50-14 Ind.
	 <p>920 mm (36.2 in.)</p> <p>1AGAEBMAP026G</p>
Rear	15-19.5 Ind.
	 <p>1085 mm (42.7 in.)</p> <p>1AGAEBMAP029J</p>

BALLAST



WARNING

To avoid personal injury or death:

- Additional ballast will be needed for transporting heavy implements. When the implement is raised, drive slowly over rough ground, regardless of how much ballast is used.
- Do not fill the front wheels with liquid.

■ Front Ballast

Add weights if needed for stability and improving traction. Heavy pulling and heavy rear mounted implements tend to lift front wheels. Add enough ballast to maintain steering control and prevent tip over. Remove weight when no longer needed.

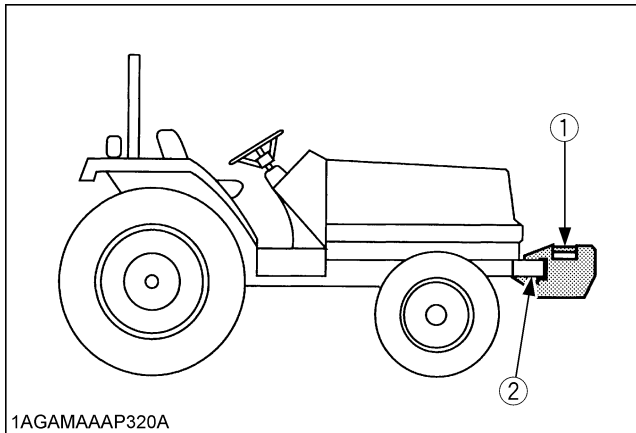
◆ Front End Weights (option)

The front end weights can be attached to the bumper. See your implement operator's manual for required number of weights or consult your local KUBOTA Dealer to use.

NOTE :

[For installation of up to 5 weights]

- Besides the weight, a front weight bracket and mounting bolt kit(s) are required for mounting the weight.



1AGAMAAAP320A

- (1) Front end weights
- (2) Front weight bracket (option)

IMPORTANT :

- Do not overload tires.
- Add no more weight than indicated in chart.

Maximum weight	25 kg x 5 pieces (125 kg (275lbs.))
----------------	-------------------------------------

■ Rear Ballast

Add weight to rear wheels if needed to improve traction or for stability. The amount of rear ballast should be matched to job and the ballast should be removed when it is not needed.

The weight should be added to the tractor in the form of liquid ballast.

◆ Liquid Ballast in Rear Tires

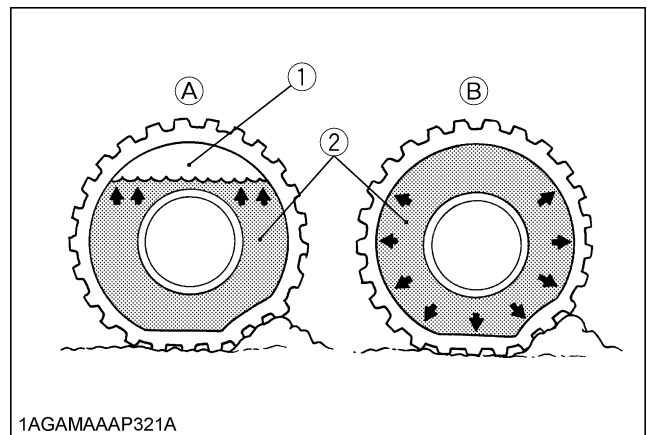
Water and calcium chloride solution provides safe economical ballast. Used properly, it will not damage tires, tubes or rims. The addition of calcium chloride is recommended to prevent the water from freezing. Use of this method of weighting the wheels has the full approval of the tire companies. See your tire dealer for this service.

Liquid weight per tire (75 Percent filled)

Tire sizes	12.4 - 16
Slush free at -10 °C (14 °F) Solid at -30 °C (-22 °F) [Approx. 1 kg (2 lbs.) CaCl ₂ per 4 L (1 gal) of water]	85 kg (187 lbs.)
Slush free at -24 °C (-11 °F) Solid at -47 °C (-52 °F) [Approx. 1.5 kg (3.5 lbs.) CaCl ₂ per 4 L (1 gal) of water]	89 kg (196 lbs.)
Slush free at -47 °C (-52 °F) Solid at -52 °C (-62 °F) [Approx. 2.25 kg (5 lbs.) CaCl ₂ per 4 L (1 gal) of water]	94 kg (207 lbs.)

IMPORTANT :

- Do not fill tires with water or solution more than 75% of full capacity (to the level of valve stem at 12 o'clock position).



1AGAMAAAP321A

- (1) Air
- (2) Water
- (A) Correct: 75% Full
Air compresses like a cushion.
- (B) Incorrect: 100% Full
Water can not be compressed.

MAINTENANCE

SERVICE INTERVALS

No.	Items		Indication on hour meter														Interval	Ref page				
			50	100	150	200	250	300	350	400	450	500	550	600	650	700					800	
1	Engine oil	Change	☉			○				○					○			○	every 200 Hr	77		
2	Engine oil filter	Replace	☉			○				○					○			○	every 200 Hr	77		
3	Transmission oil filters [HST]	Replace	☉			○				○					○			○	every 200 Hr	78		
4	Hydraulic oil filter	Replace	☉							○								○	every 400 Hr	80		
5	Transmission fluid	Change								○								○	every 400 Hr	79		
6	Front axle case oil	Change								○								○	every 400 Hr	82		
7	Front axle pivot	Adjust								○								○	every 400 Hr	81		
8	Engine start system	Check	○	○	○	○	○	○	○	○	○	○	○	○	○	○	○	○	every 50 Hr	71		
9	Greasing	-	○	○	○	○	○	○	○	○	○	○	○	○	○	○	○	○	every 50 Hr	71		
10	Wheel bolt torque	Check	○	○	○	○	○	○	○	○	○	○	○	○	○	○	○	○	every 50 Hr	72		
11	Battery condition	Check		○		○		○		○		○		○		○		○	every 100 Hr	72	*4	
12	Air cleaner element [Double element type] Primary element	Clean		○		○		○		○		○		○		○		○	every 100 Hr	74	*1	Ⓜ
		Replace																	every 1 year or 1000 Hr	82	*5	
	Air cleaner element [Double element type] Secondary element	Replace																	every 1 year or 1000 Hr	82	*5	
13	Fuel filter element	Clean		○		○		○		○		○		○		○		○	every 100 Hr	75		Ⓜ
		Replace								○								○	every 400 Hr	81		
14	Fan belt	Adjust		○		○		○		○		○		○		○		○	every 100 Hr	76		
15	Brake	Adjust		○		○		○		○		○		○		○		○	every 100 Hr	76		

No.	Items		Indication on hour meter														Interval	Ref page				
			50	100	150	200	250	300	350	400	450	500	550	600	650	700					800	
16	Radiator hose and clamp	Check																every 1 year	84	*8		
		Replace																every 4 year	86	*8		
17	Fuel line	Check																every 1 year	85	*8		@
		Replace																every 4 year	86	*3 *8		
18	Intake air line	Check																every 1 year	85	*8		@
		Replace																every 4 year	86	*3 *8		
19	Toe-in	Adjust				○				○					○		○	every 200 Hr	79			
20	Engine valve clearance	Adjust															○	every 800 Hr	82	*3		
21	Fuel injection nozzle Injection pressure	Check																every 1500 Hr	82	*3	@	
22	Injection pump	Check																every 3000 Hr	84	*3	@	
23	Turbocharger [B3350, B3350SU only]	Check																every 3000 Hr	84	*3		
24	Exhaust manifold [B3350, B3350SU only]	Check																every 1 year	85		@	
25	Cooling system	Flush																every 2 year or 2000 Hr	82	*7		
26	Coolant	Change																every 2 year or 2000 Hr	83	*7		
27	Fuel system	Bleed																service as required	86			
28	Clutch housing water	Drain															86					
29	Fuse	Replace															87					
30	Light bulb	Replace															88					
31	Fuel line	Replace															88		*8			
32	Radiator hose and clamp																88		*8			
33	Intake air line																88		*8			

IMPORTANT :

- The jobs indicated by © must be done after the first 50 hours of operation.
 - *1 Air cleaner should be cleaned more often in severe dusty conditions.
Operation with clogged air cleaner may cause regeneration failure and DPF damage.
 - *2 Replace only if necessary.
 - *3 Consult your local KUBOTA Dealer for this service.

- *4 When the battery is used for less than 100 hours per year, check the fluid level annually.
- *5 Replace in 1,000 hours or 1 year, whichever comes faster.
- *6 Check in 1,000 hours or 1 year, whichever comes faster.
- *7 Replace in 2,000 hours or 2 years, whichever comes faster.
- *8 Replace if any deterioration (crack, hardening, scar or deformation) or damage occurred.

However, must be replaced every 4 years regardless of the condition.

- The items listed above (@ marked) are registered as emission related critical parts by KUBOTA in the U.S.EPA nonroad emission regulation. As the engine owner, you are responsible for the performance of the required maintenance on the engine according to the above instruction.
Please see the Warranty Statement in detail.
- When using biodiesel, be sure to check the maintenance requirements of biodiesel fuel as the intervals will change in some of the items.

LUBRICANTS, FUEL AND COOLANT

No.	Locations	Capacities		Lubricants	
		B2650	B3350/B3350SU		
1	Fuel	27 L (7.1 U.S.gals.)		No. 2-D S15 diesel fuel No. 1-D S15 diesel fuel if temperature is below -10 °C (14 °F)	
2	Coolant (with recovery tank)	4.3 L (4.5 U.S.qts.)		Fresh clean soft water with anti-freeze	
3	Engine crankcase (with filter)	4.0 L (4.2 U.S.qts.)	4.8 L (5.1 U.S.qts.)	● Engine oil : Refer to next page.	
				Above 25°C (77°F)	SAE30, SAE10W-30 or 15W-40
				-10°C to 25°C (14 to 77°F)	SAE20, SAE10W-30 or 15W-40
				Below -10°C (14°F)	SAE10W-30
4	Transmission case	15 L (4.0 U.S.gals.)		● KUBOTA SUPER UDT-2 fluid	
5	Front axle case	4.7 L (5.0 U.S.qts.)		● KUBOTA SUPER UDT-2 fluid or SAE80 - SAE90 gear oil	
6	Greasing	No. of greasing points		Capacity	Type of grease
	● Top link	1		Until grease overflows	Multipurpose Grease NLGI-2 or NLGI-1 (GC-LB)
	● Lift rod [RH]	1			
	● Speed control pedal	1			
	● Battery terminals	2		moderate amount	

NOTE :

The product name of KUBOTA genuine UDT fluid may be different from that in the Operator's Manual depending on countries or territories. Consult your local KUBOTA Dealer for further details.

NOTE :**◆ Engine Oil:**

- Oil used in the engine should have an American Petroleum Institute (API) service classification and Proper SAE Engine Oil according to the ambient temperatures as shown above:
- Refer to the following table for the suitable API classification engine oil according to the engine type (with DPF or non-DPF (Diesel Particulate Filter) type engines) and the fuel.
- The CJ-4 engine oil is intended for DPF (Diesel Particulate Filter) type engine.

Fuel used	Engine oil classification (API classification)	
	Oil class of engines except DPF [B2650]	Oil class of engines with DPF [B3350/B3350SU]
Ultra Low Sulfur Fuel [<0.0015% (15 ppm)]	CF, CF-4, CG-4, CH-4 or CI-4	CJ-4

◆ Fuel:

- Use the ultra low sulfur diesel fuel only [below 0.0015% (15 ppm)] for these engines.
- Cetane number of 45 is minimum. Cetane number greater than 50 is preferred, especially for temperatures below -20°C (-4 °F) or elevations above 1500 m (5000 ft).
- Diesel fuels specified to EN 590 or ASTM D975 are recommended.
- No.2-D is a distillate fuel of lower volatility for engines in industrial and heavy mobile service. (SAE J313 JUN87)

◆ Transmission Oil:

*KUBOTA Super UDT-2: For an enhanced ownership experience, we highly recommend Super UDT-2 to be used instead of standard hydraulic/transmission fluid.

Super UDT-2 is a proprietary KUBOTA formulation that delivers superior performance and protection in all operating conditions.

Regular UDT is also permitted for use in this machine.

- Indicated capacities of water and oil are manufacturer's estimate.
-

■ Biodiesel Fuel (BDF)

B0-B20 Biodiesel fuels (BDF): mixed diesel fuels containing 20% or less biodiesel can be utilized under the following conditions.

IMPORTANT :

- Refueling and handling fuel should be done with caution in order to avoid contact with the fuel and spillage that could create a potential environmental or fire hazard. Wear appropriate protective equipment when refueling.
 - ◆ Applicable BDF:
 1. Blended diesel fuels containing 6% thru 20% BDF (B6 - B20) which comply with American Society for Testing and Materials (ASTM) D7467 Standard, as revised, can be used without adversely affecting the performance and durability of the engine and fuel system components.
 2. Any mineral oil diesel fuel, if used, must conform to ASTM D975 (or the European EN590) Standard, as revised. B100 fuel used to make Biodiesel blended fuels must meet ASTM D6751 (or EN14214) Standard, as revised. The final blended fuel B20 must conform to ASTM D7467 Standard, as revised. Straight vegetable oil is NOT allowed in any blended fuel.
 3. Allowable blended fuel is mineral oil diesel fuel blended with B100 (i.e. 100% BDF). The blended fuel ratio shall be less than 20% B100 and 80% or more diesel fuel. The B100 source used for Biodiesel blends must be purchased from an accredited BQ-9000 marketer or producer. More information about qualified marketer(s) and producer(s) can be found at <http://www.bq-9000.org> .
 - ◆ Preparation:
 1. Before using BDF concentrations greater than B5, you are advised to replace the engine oil, engine oil filter and fuel filter with new oil and filters. For replacement procedures, refer to the "PERIODIC SERVICE" section.
 - ◆ Product Warranty, Emission and Other Precautions:
 1. The engine emission control system was certified according to current regulations based on the use of non-BDF. When using BDF, the owner is advised to check applicable local and federal emission regulations and comply with all of them.
 2. BDF may cause restricted or clogged fuel filters during cold weather conditions, resulting in the engine not operating properly.
 3. BDF encourages the growth of microorganisms which may cause degradation of the fuel. This in turn may cause fuel line corrosion or reduce fuel filter flow earlier than expected.
 4. BDF inherently absorbs moisture which may cause degradation of the fuel earlier than expected. To avoid this, drain the water separator and fuel filter port often.
 5. Do not use Biodiesel concentrations higher than 20% (i.e. greater than B20). Engine performance and fuel consumption will be affected, and degradation of the fuel system components may occur.
 6. Do not readjust the engine fuel control system as this will violate emission control levels for which the equipment was approved.
 7. Compared with soybean-based and rapeseed-based feedstock, palm oil-based feedstock has a thicker consistency (i.e. higher viscosity) at lower temperatures. Consequently, fuel filter performance may be reduced, particularly during cold weather conditions.
 8. The Kubota Warranty, as specified in the Owner's Warranty Information Guide, only covers defects in product materials and workmanship. Accordingly, any problems that may arise due to the use of poor quality fuels that fail to meet the above requirements, whether biodiesel or mineral oil based, are not covered by the Kubota Warranty.
 - ◆ Routine handling:
 1. Avoid spilling BDF onto painted surfaces as this may damage the finish. If fuel is spilled immediately wipe clean and flush with soapy water to avoid permanent damage.
 2. When using BDF, you are advised to maintain a full tank of fuel, especially overnight and during short term storage, to reduce condensation within the tank. Be sure to tighten the fuel cap after refueling to prevent moisture build up within the tank. Water in the Biodiesel mixture will damage fuel filters and may damage engine components.
-

- ◆ Maintenance Requirements when using BDF B0 through B5:
Follow the oil change intervals recommended by referring to the "MAINTENANCE" section. Extended oil change intervals may result in premature wear or engine damage.
- ◆ Maintenance Requirements when using BDF B6 through B20:
The maintenance interval for fuel related parts changes.
See the table below for the new maintenance interval.

Items		Interval	Remarks
Fuel filter	Replace	every 200 Hr	
Fuel hose	Check	every 6 months	Replace if any deterioration (crack, hardening, scar or deformation) or damage occurred.
	Replace	every 2 years	Consult your local KUBOTA Dealer for this service.

- ◆ Long Term Storage:
 1. BDF easily deteriorates due to oxygen, water, heat and foreign substances. Do not store B6 thru B20 longer than 1 month and B5 longer than 3 months.
 2. When using B6 thru B20 and storing the machine longer than 1 month, drain the fuel from the tanks and replace with light mineral oil diesel fuel. Subsequently, run the engine at least 30 minutes to remove all of the Biodiesel from the fuel lines.
 3. When using B5 fuel and storing machine longer than 3 months, drain the fuel from the tanks and replace with light mineral oil diesel fuel. Subsequently, run the engine at least 30 minutes to remove all of the Biodiesel from the fuel lines.
-

PERIODIC SERVICE

WASTE DISPOSAL

The improper disposal or burning of waste causes environmental pollution and can be punishable by your local laws and regulations.

- When draining fluids from the tractor, place a container underneath the drain port.
- Do not pour waste onto the ground, down a drain, or into any water source (such as rivers, streams, lakes, marshes, seas and oceans).
- Waste products such as used oil, fuel, coolant, hydraulic fluid, urea aqueous solution (DEF/ AdBlue®), refrigerant, solvent, filters, rubber, batteries and harmful substances, can harm the environment, people, pets and wildlife.

Please dispose properly.

See your local recycling center or KUBOTA Dealer to learn how to recycle or get rid of waste products.

HOW TO OPEN THE HOOD



WARNING

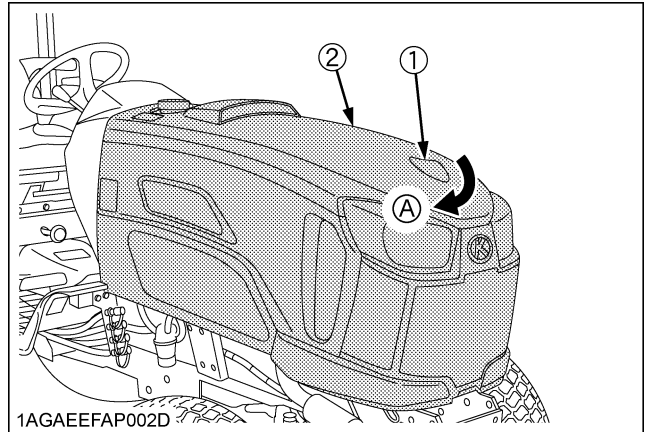
To avoid personal injury or death from contact with moving parts;

- Never open the hood or engine side cover while the engine is running.
- Do not touch muffler or exhaust pipes while they are hot; Severe burns could result.
- Support hood with other hand while unlocking support link.

■ Hood

◆ Open the hood

1. To open the hood, twist the mascot.

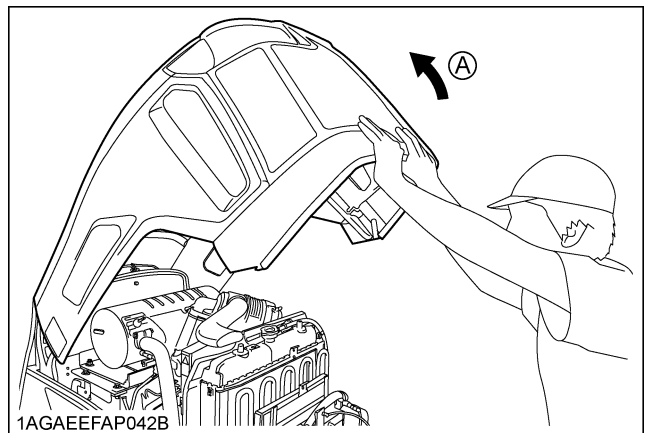


(1) Mascot

(A) "TWIST"

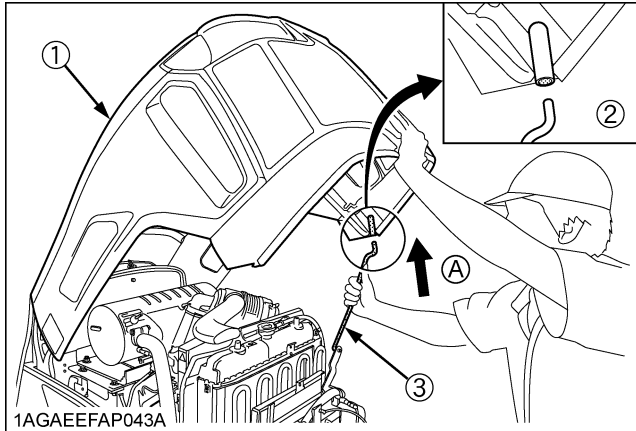
(2) Hood

2. Open the hood by holding its bottom with both hands.



(A) "OPEN"

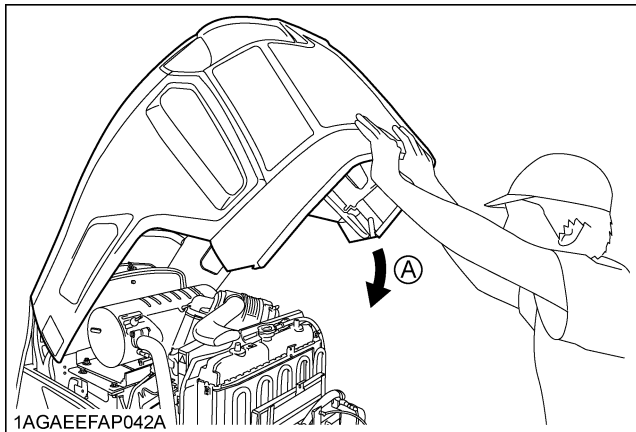
3. Hold the hood and insert the support rod to the mounting hole.



(1) Hood
 (2) Mounting hole
 (3) Support rod
 (A) "INSERT"

◆ **Close the hood**

1. To close the hood, hold the hood and release the support rod.
2. In closing the hood, use both hands again.

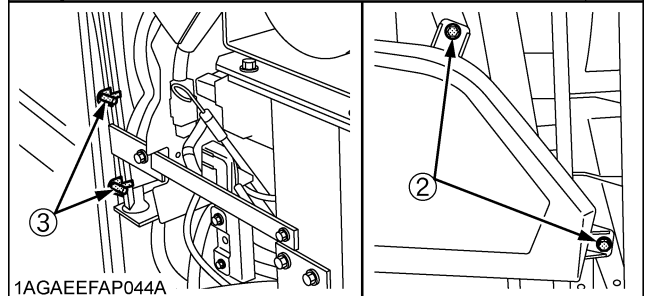
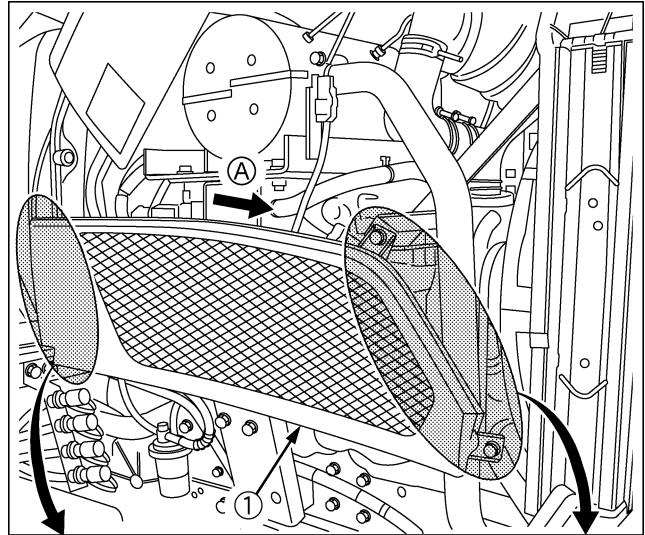


(A) "CLOSE"

■ **Engine Side Cover**

1. Remove the bolt.
2. Pull the cover toward "A" and detach the notch.

● **Removing the side cover**



(1) Cover
 (2) Bolt
 (3) Notch
 (A) "PULL"

● **Attaching the side cover**

To attach the cover, take the reverse order.

DAILY CHECK



WARNING

To avoid personal injury or death:
 Take the following precautions when checking the tractor.

- Park the machine on firm and level ground.
- Set the parking brake.
- Lower the implement to the ground.
- All residual pressure of the hydraulic system released.
- Stop the engine and remove the key.

■ Walk Around Inspection

Look around and under the tractor for such items as loose bolts, trash build-up, oil or coolant leaks, broken or worn parts.

■ Checking and Refueling

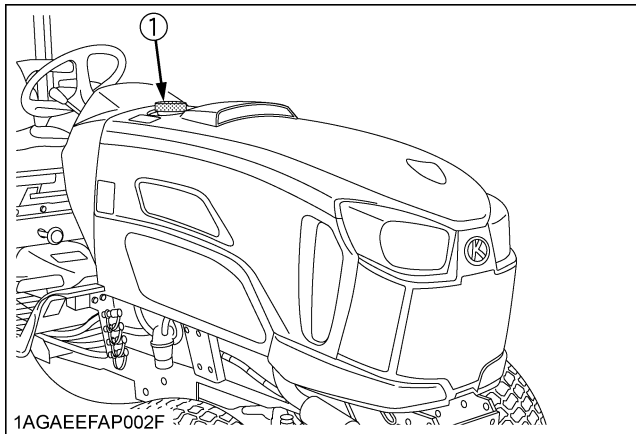


WARNING

To avoid personal injury or death:

- Do not smoke while refueling.
- Be sure to stop the engine before refueling.

1. Turn the key switch to "ON", check the amount of fuel by fuel gauge.
2. Fill fuel tank when fuel gauge shows 1/4 or less fuel in tank.
3. Use grade No.2-Diesel fuel at temperatures above -10 °C (14 °F).
Use grade No.1-Diesel fuel at temperatures below -10 °C (14 °F).



(1) Fuel tank cap

Fuel tank capacity	27 L (7.1 U.S.gals.)
--------------------	----------------------

IMPORTANT :

- Do not permit dirt or trash to get into the fuel system.
- Be careful not to let the fuel tank become empty, otherwise air will enter the fuel system, necessitating bleeding before next engine start.
- Be careful not to spill during refueling. If you should spill, wipe it off at once, or it may cause a fire.
- To prevent condensation (water) accumulation in the fuel tank, fill the tank before parking overnight.

■ Checking Engine Oil Level

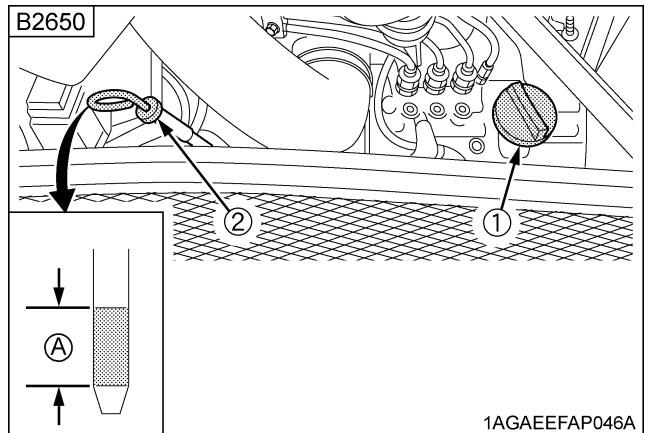
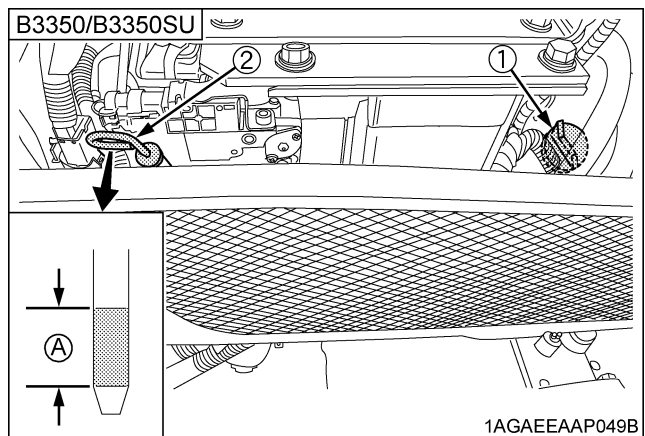


WARNING

To avoid personal injury or death:

- Be sure to stop the engine before checking the oil level.

1. Park the machine on a flat surface.
2. Check engine oil before starting the engine or 5 minutes or more after the engine has stopped.
3. To check the oil level, draw out the dipstick, wipe it clean, replace it, and draw it out again. Check to see that the oil level lies within the crosshatched area. If the level is too low, add new oil to the prescribed level at the oil inlet.
(See "LUBRICANTS, FUEL AND COOLANT" in "MAINTENANCE" section.)



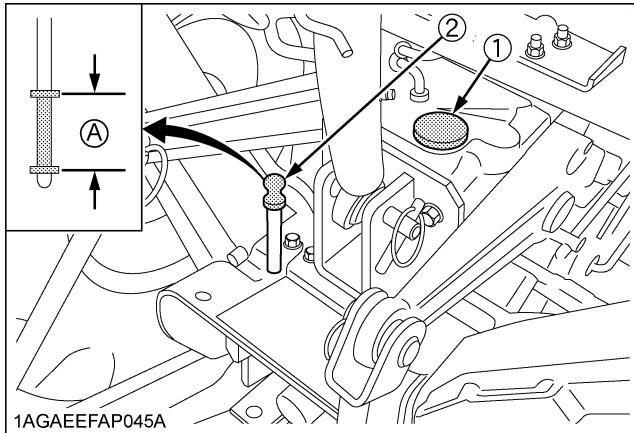
(1) Oil inlet (A) Oil level is acceptable within this range
(2) Dipstick

IMPORTANT :

- When using an oil of different maker or viscosity from the previous one, remove all of the old oil. Never mix two different types of oil.
- If oil level is low, do not run engine.

■ Checking Transmission Fluid Level

1. Park the machine on a flat surface, lower the implement and shut off engine.
2. To check the oil level, draw out the dipstick, wipe it clean, replace it, and draw it out again. Check to see that the oil level lies within the crosshatched area. If the level is too low, add new oil to the prescribed level at the oil inlet.
(See "LUBRICANTS, FUEL AND COOLANT" in "MAINTENANCE" section.)



(1) Oil inlet (A) Oil level is acceptable within this range
(2) Dipstick

IMPORTANT :

- If oil level is low, do not run engine.

■ Checking Coolant Level

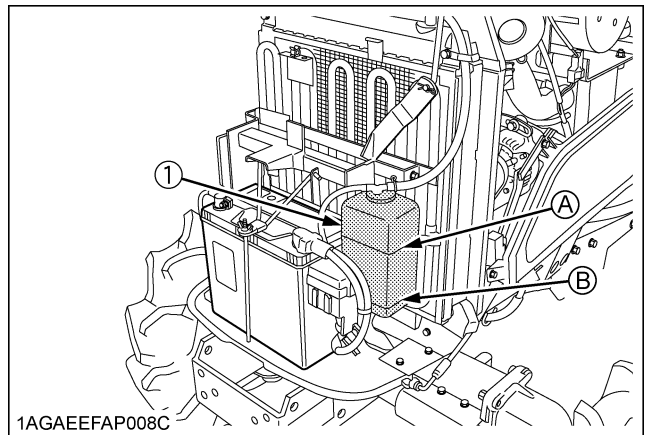


WARNING

To avoid personal injury or death:

- Do not remove radiator cap while coolant is hot. When cool, slowly rotate cap to the first stop and allow sufficient time for excess pressure to escape before removing the cap completely.

1. Check to see that the coolant level is between the "FULL" and "LOW" marks of recovery tank.
2. When the coolant level drops due to evaporation, add soft water only up to the full level.
In case of leakage, add anti-freeze and soft water in the specified mixing ratio up to the full level.
(See "Flushing Cooling System and Changing Coolant" in "EVERY 2 000 HOURS or 2 YEARS" in "PERIODIC SERVICE" section.)



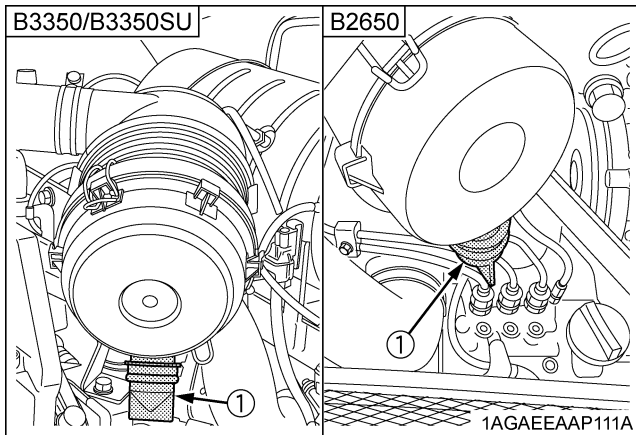
(1) Recovery tank (A) "FULL"
(B) "LOW"

IMPORTANT :

- If the radiator cap has to be removed, follow the caution above and securely retighten the cap.
- Use clean, fresh soft water and anti-freeze to fill the recovery tank.
- If water should leak, consult your local KUBOTA Dealer.

■Cleaning Evacuator Valve

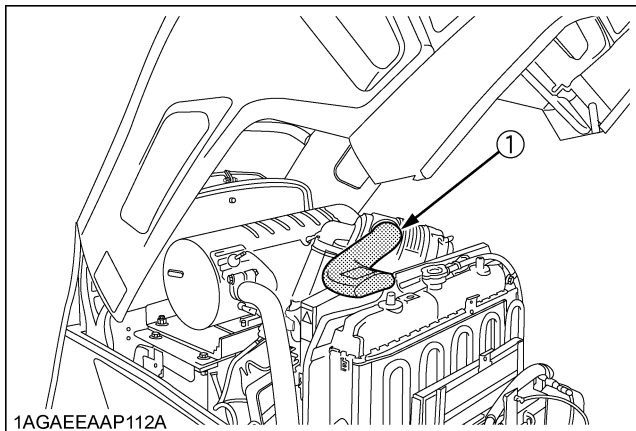
Open the evacuator valve to get rid of large particles of dust and dirt.



(1) Evacuator valve

■Checking Air Inlet Pipe

[B3350/B3350SU only]



(1) Air inlet pipe

IMPORTANT :

- Remove air inlet pipe for snow conditions to avoid accumulation of snow in air cleaner which causes DPF muffler trouble.
- Remove air inlet pipe when the ambient temperature below -15 °C (5 °F) to avoid freeze of breather tube for the engine which causes DPF muffler trouble.
- Refit air inlet pipe for non-snow conditions and when the ambient temperature is above -15 °C (5 °F).

■Cleaning Grill and Radiator Screen

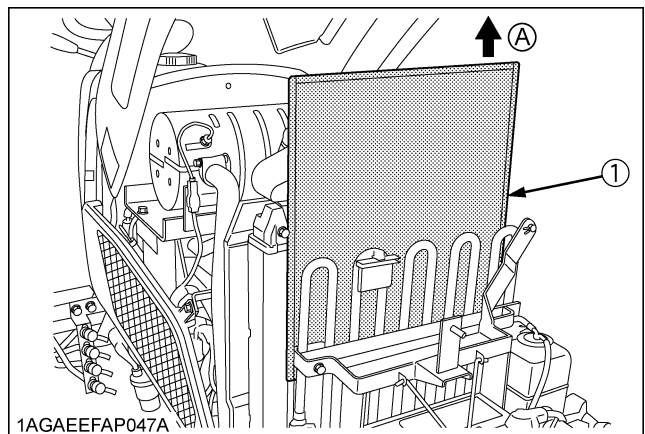


WARNING

To avoid personal injury or death:

- Be sure to stop the engine and remove the key before removing the screen.

1. Check front grill and side screens to be sure they are clean of debris.
2. Detach the screen and remove all foreign material and clean the front of radiator completely.



(1) Radiator screen

(A) "DETACH"

IMPORTANT :

- Grill and screen must be clean from debris to prevent engine from overheating and to allow good air intake for the air cleaner.

■ Checking DPF Muffler

[B3350/B3350SU only]

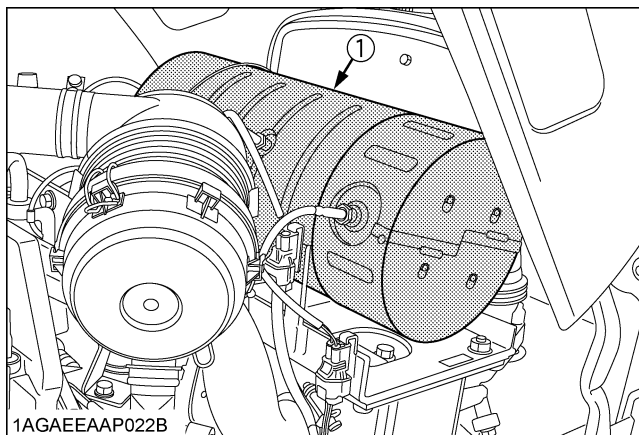


WARNING

To avoid personal injury or death:

- Before checking or cleaning the DPF muffler, stop the engine and wait until it cools down enough.

Check the DPF muffler and its surroundings for build-up of anything flammable. Otherwise a fire may result.



(1) DPF muffler

■ Checking Brake Pedal

1. Inspect the brake pedals for free travel, and smooth operation.
2. Adjust if incorrect measurement is found:
(See "Adjusting Brake Pedal" in "EVERY 100 HOURS" in "PERIODIC SERVICE" section.)

■ Checking Gauges, Meter and Easy Checker (TM)

1. Inspect the instrument panel for broken gauge(s), meter(s) and Easy Checker (TM).
2. Replace if broken.

■ Checking Head Light, Hazard Light etc.

1. Inspect the lights for broken bulbs and lenses.
2. Replace if broken.

■ Checking Seat Belt and ROPS

1. Always check condition of seat belt and ROPS attaching hardware before operating tractor.
2. Replace if damaged.

■ Checking and Cleaning of Electrical Wiring and Battery Cables



WARNING

To avoid personal injury or death:

- A loosened terminal or connector, or damaged wire may affect the performance of electrical components or cause short circuits. An electrical short could result in a fire hazard, a dead battery or damage to electrical components.
- Replace damaged wires or connectors promptly.
- If a fuse blows soon after replacement, **DO NOT USE A LARGER THAN RECOMMENDED FUSE OR BYPASS THE FUSE SYSTEM.**
- Many wiring connections are protected by waterproof plugs, plug and unplug these connections carefully and make sure they are sealed correctly after assembly.
- Accumulation of dust, chaff and spilled fuel deposits around the battery, electrical wiring, engine or exhaust system are fire hazards. **CLEAN THESE AREAS BEFORE STARTING WORK.**

To avoid premature electrical malfunctions **DO NOT APPLY** high pressure water directly to battery, wiring, connectors, electrical components or instrument panel.

Inspect the following Regularly:

1. Check wiring for chafed or cracked insulation.
2. Check wiring harness clamps. Replace if necessary.
3. Check connectors and terminals for looseness, contamination or overheated (discolored) connections.
4. Check instrument panel for correct operation of switches and gauges.

Consult your KUBOTA Dealer regarding maintenance, diagnosis and repair.

■ Checking Movable Parts

If any of the movable parts, such as levers and pedals, is not smoothly moved because of rust or sticky material, do not attempt to force it into motion.

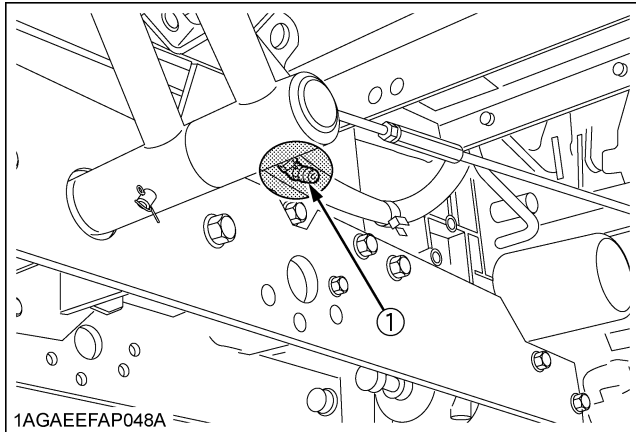
In the above case, remove the rust or the sticky material, and apply oil or grease on the relevant spot. Otherwise, the machine may get damaged.

EVERY 50 HOURS

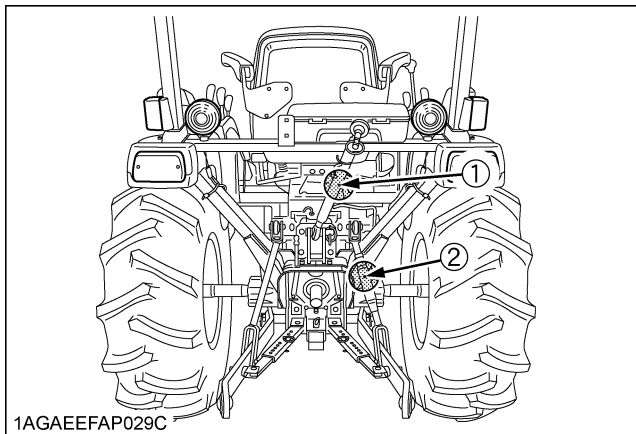
■ Lubricating Grease Fittings

Apply a small amount of multipurpose grease to the following points every 50 hours:

If you operated the machine in extremely wet and muddy conditions, lubricate grease fittings more often.

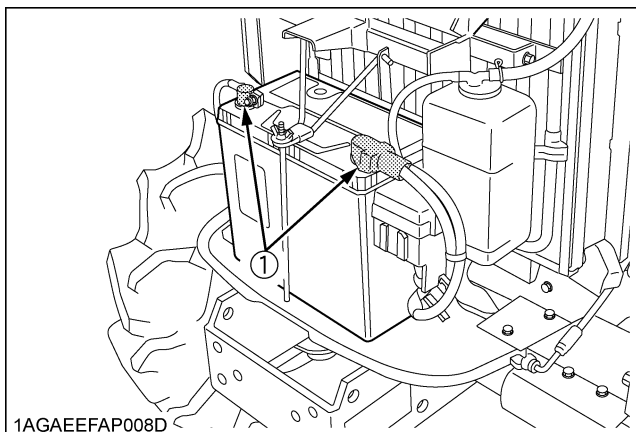


(1) Grease fitting (Brake pedals)



(1) Grease fitting (Top link)

(2) Grease fitting (Lifting rod, right)



(1) Battery terminals

■ Checking Engine Start System



WARNING

To avoid personal injury or death:

- Do not allow anyone near the tractor while testing.
- If the tractor does not pass the test do not operate the tractor.
- Detach an implement before testing.

◆ Preparation before testing.

1. Sit on operator's seat.
2. Set the parking brake and stop the engine.
3. Shift the range gear shift lever to "NEUTRAL" position.
4. Place the speed control pedal in "NEUTRAL" position.
5. Shift the PTO clutch lever to "OFF" position.

◆ Test : Switch for the speed control pedal.

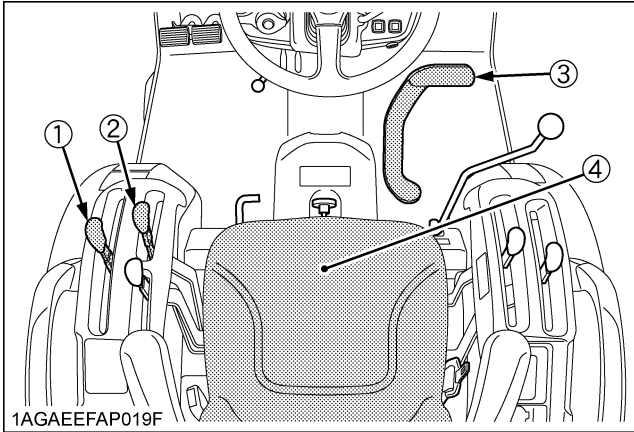
1. Depress the speed control pedal.
2. Turn the key to "START" position.
3. The engine must not crank.
4. If it cranks, consult your local KUBOTA Dealer for this service.

◆ Test : Switch for the PTO clutch lever.

1. Place the speed control pedal in "NEUTRAL" position.
2. Shift the PTO clutch lever to "ON" position.
3. Turn the key to "START" position.
4. The engine must not crank.
5. If it cranks, consult your local KUBOTA Dealer for this service.

◆ Test : Switches for the operator's seat and the PTO clutch lever.

1. Sit on the operator's seat.
2. Start the engine.
3. Engage the PTO clutch lever.
4. Stand up. (Do not get off the machine.)
5. The engine must shut off after approximately 1 second.
6. If it does not stop, consult your local KUBOTA Dealer for this service.



- (1) Range gear shift lever (L-M-H)
 (2) PTO clutch lever
 (3) Speed control pedal
 (4) Operator's seat

■ Checking Wheel Bolt Torque

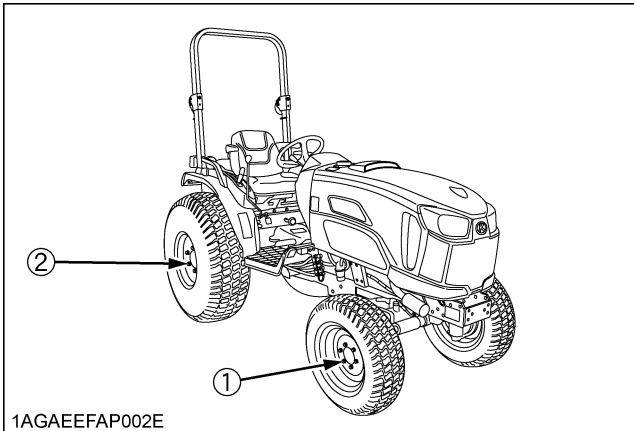


WARNING

To avoid personal injury or death:

- Never operate tractor with a loose rim, wheel, or axle.
- Any time bolts and nuts are loosened, retighten to specified torque.
- Check all bolts and nuts frequently and keep them tight.

Check wheel bolts and nuts regularly especially when new. If they are loose, tighten them as follows.



- (1) Nut: 77 to 90 N-m (7.9 to 9.2 kgf-m, 57 to 67 ft-lbs.)
 (2) Bolt: 196 to 225 N-m (20 to 23 kgf-m, 145 to 166 ft-lbs.)
 Nut: 167 to 191 N-m (17 to 19.5 kgf-m, 123 to 141 ft-lbs.)

EVERY 100 HOURS

■ Checking Battery Condition



DANGER

To avoid the possibility of battery explosion:

For the refillable type battery, follow the instructions below.

- Do not use or charge the refillable type battery if the fluid level is below the LOWER (lower limit level) mark. Otherwise, the battery component parts may prematurely deteriorate, which may shorten the battery's service life or cause an explosion. Check the fluid level regularly and add distilled water as required so that the fluid level is between the UPPER and LOWER levels.



WARNING

To avoid personal injury or death:

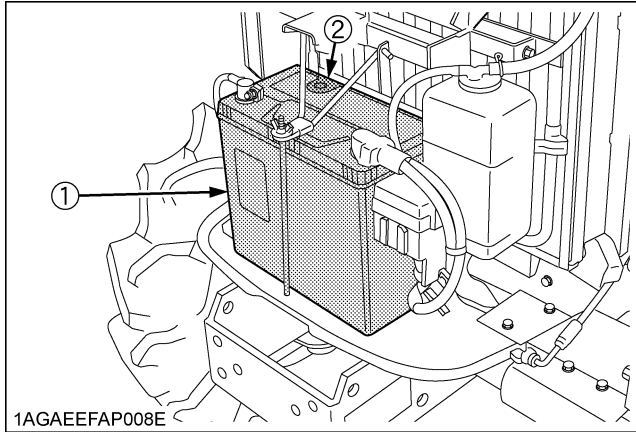
- Never remove the vent caps while the engine is running.
- Keep electrolyte away from eyes, hands and clothes. If you are splattered with it, wash it away completely with water immediately and get medical attention.
- Wear eye protection and rubber gloves when working around the battery.

The factory-installed battery is of non-refillable type. If the indicator turns white, do not charge the battery but replace it with new one.

Mishandling the battery shortens the service life and adds to maintenance costs.

The original battery is maintenance free, but needs some servicing.

If the battery is weak, the engine will be difficult to start and the lights will be dim. It is important to check the battery periodically.



(1) Battery
(2) Indicator

◆ **How to read the indicator**

Check the battery condition by reading the indicator.

State of indicator display	
Green	Specific gravity of electrolyte and quality of electrolyte are both in good condition.
Black	Needs charging battery.
White	Needs replacing battery.

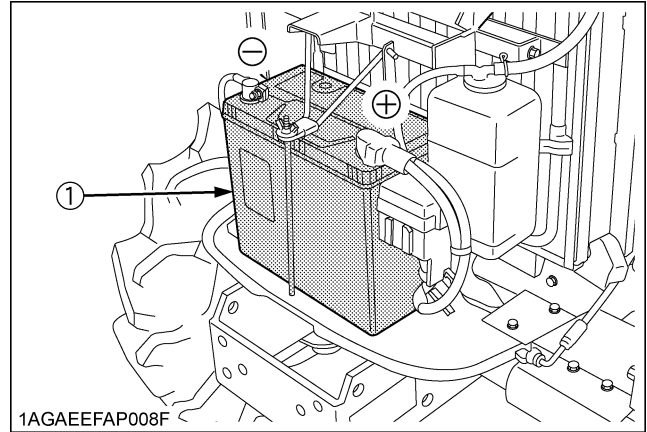
◆ **Battery Charging**



WARNING

To avoid personal injury or death:

- When the battery is being activated, hydrogen and oxygen gases in the battery are extremely explosive. Keep open sparks and flames away from the battery at all times, especially when charging the battery.
- When charging the battery, ensure the vent caps are securely in place (if equipped).
- When disconnecting the cable from the battery, start with the negative terminal first. When connecting the cable to the battery, start with the positive terminal first.
- Never check battery charge by placing a metal object across the posts. Use a voltmeter or hydrometer.



(1) Battery

1. To slow charge the battery, connect the battery positive terminal to the charger positive terminal and the negative to the negative, then recharge in the standard fashion.
2. A boost charge is only for emergencies. It will partially charge the battery at a high rate and in a short time. When using a boost-charged battery, it is necessary to recharge the battery as early as possible. Failure to do this will shorten the battery's service life.
3. The battery is charged if the indicator display turns green from black.
4. When exchanging an old battery for a new one, use battery of equal specification shown in **TABLE 1**.

[TABLE 1]

Battery Type	Volts (V)	Capacity at 5 hr (Ah)	Reserve Capacity (min)	Cold Cranking Amps (A)	Normal Charging Rate (A)
55B24L(S)-MF	12	36	80	430	4.5

◆ **Direction for Storage**

1. When storing the tractor for a long period, remove the battery from tractor, adjust the electrolyte to the proper level and store in a dry place out of direct sunlight.
2. The battery self-discharges while it is stored. Recharge it once every 3 months in hot seasons and once every 6 months in cold seasons.

■ Cleaning Air Cleaner Primary Element



WARNING

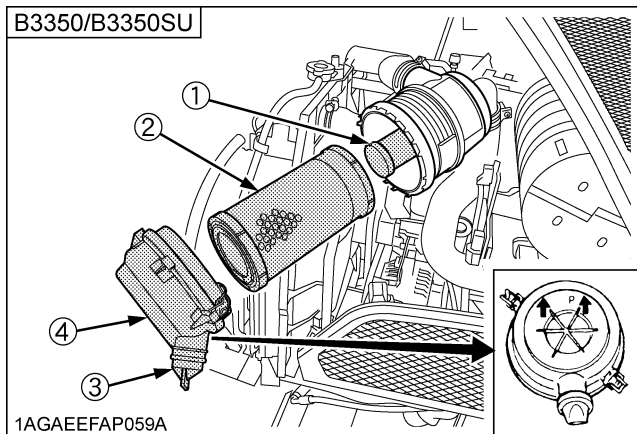
To avoid personal injury or death:

- Be sure to stop the engine and remove the key before cleaning air filter element.

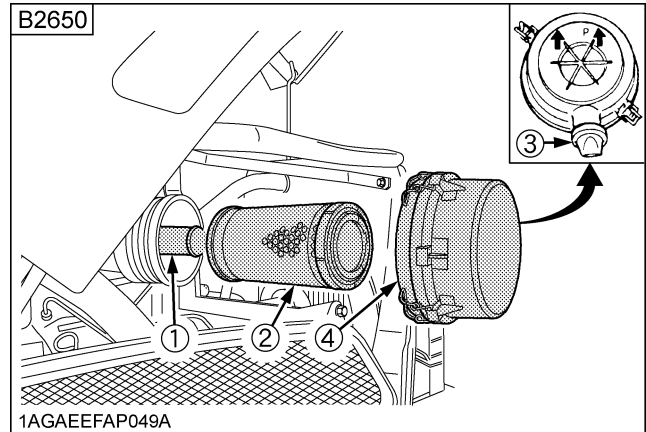
1. Remove the air cleaner cover and primary element.
2. Clean the primary element:
 - (1) When dry dust adheres to the element, blow compressed air from the inside, turning the element. Pressure of compressed air must be under 205 kPa (2.1 kgf/cm², 30 psi).
 - (2) When carbon or oil adheres to the element, soak the element in detergent for 15 minutes then wash it several times in water, rinse with clean water and dry it naturally. After element is fully dried, inspect inside of the element with a light and check if it is damaged or not.
3. Replace air cleaner primary element:
Every 1000 hours or once yearly cleaning, whichever comes first.

NOTE :

- Check to see if the evacuator valve is blocked with dust.



- (1) Secondary (safety) element
- (2) Primary element
- (3) Evacuator valve
- (4) Cover



- (1) Secondary (safety) element
- (2) Primary element
- (3) Evacuator valve
- (4) Cover

IMPORTANT :

- The air cleaner uses a dry element, never apply oil.
- Do not run the engine with filter element removed.
- Be sure to refit the cover with the arrow ↑ (on the rear of cover) upright. If the cover is improperly fitted, evacuator valve will not function and dust will adhere to the element.
- Do not touch the secondary element except in cases where replacing is required.
(See "Replacing Air Cleaner Primary Element and Secondary Element" in "EVERY 1000 HOURS or 1 YEAR" in "PERIODIC SERVICE" section.)

◆ Evacuator Valve

Open the evacuator valve once a week under ordinary conditions - or daily when used in a dusty place - to get rid of large particles of dust and dirt.

■Cleaning Fuel Filter

WARNING

To avoid personal injury or death:

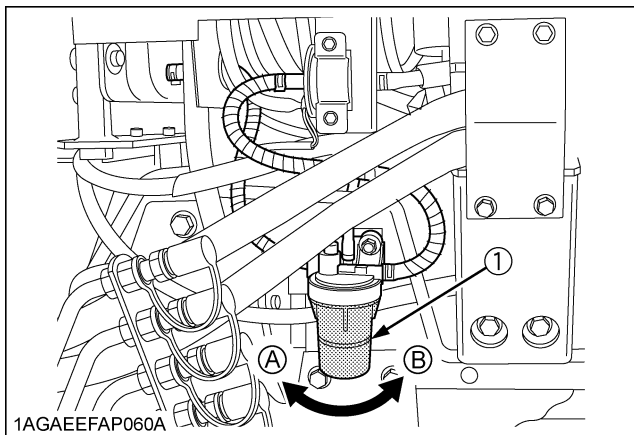
- Stop the engine and remove the key before checking fuel lines and fuel filter.
- Check the fuel lines periodically. The fuel lines are subject to wear and aging. Fuel may leak out onto the running engine, causing a fire.
- Protect your hands when using kerosene to clean components.

This job should not be done in the field, but in a clean place.

1. Loosen and remove the filter bowl, and rinse the inside with kerosene.
2. Take out the element and dip it in the kerosene to rinse.
3. After cleaning, reassemble the fuel filter, keeping out dust and dirt.
4. Bleed the fuel system.
(See "SERVICE AS REQUIRED" in "PERIODIC SERVICE" section.)

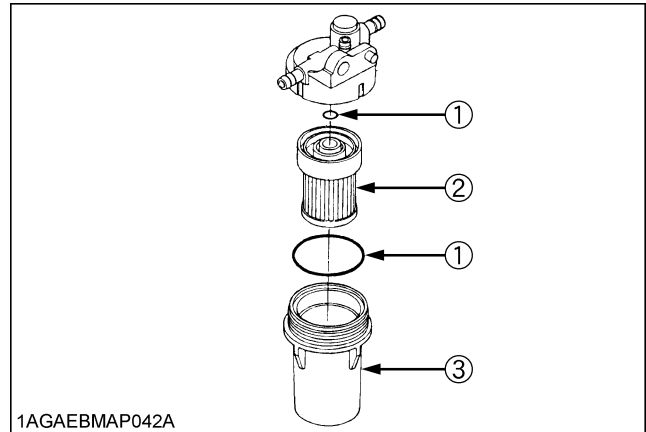
IMPORTANT :

- When the fuel filter bowl has been removed, fuel stops flowing from the fuel tank. If the fuel tank is almost full, however, the fuel will flow back from the fuel return pipe to the fuel filter. Before checking, make sure the fuel tank is less than half-full.



(1) Fuel filter bowl

(A) "LOOSEN"
(B) "TIGHTEN"



(1) O ring
(2) Filter element
(3) Filter bowl

IMPORTANT :

- If dust, dirt or water enters the fuel system, the fuel pump and injection nozzles are subject to premature wear. To prevent this, be sure to clean the fuel filter bowl and element periodically.

■ Adjusting Fan Belt Tension



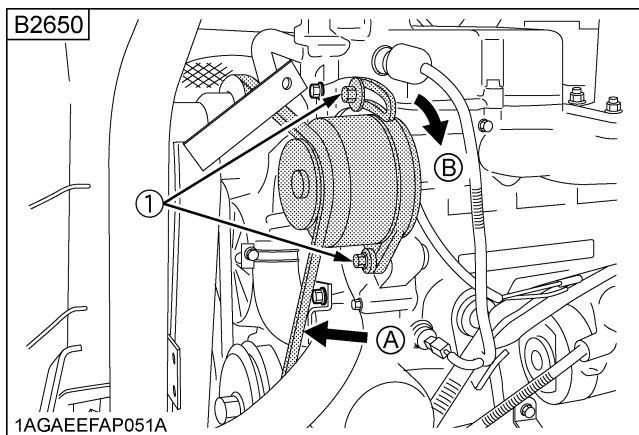
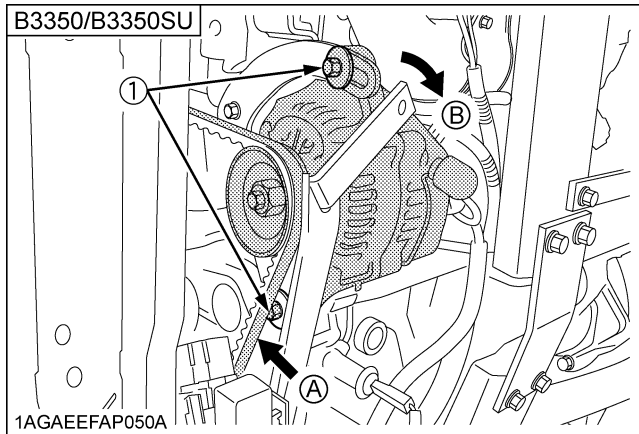
WARNING

To avoid personal injury or death:

- Be sure to stop the engine before checking belt tension.

Proper fan belt tension	A deflection of between 7 to 9 mm (0.28 to 0.35 in.) when the belt is pressed in the middle of the span.
-------------------------	--

1. Stop the engine and remove the key.
2. Apply moderate thumb pressure to belt between pulleys.
3. If tension is incorrect, loosen the alternator mounting bolts and, using a lever placed between the alternator and the engine block, pull the alternator out until the deflection of the belt falls within acceptable limits.
4. Replace fan belt if it is damaged.



(1) Bolt

(A) Check the belt tension
(B) To tighten

■ Adjusting Brake Pedal



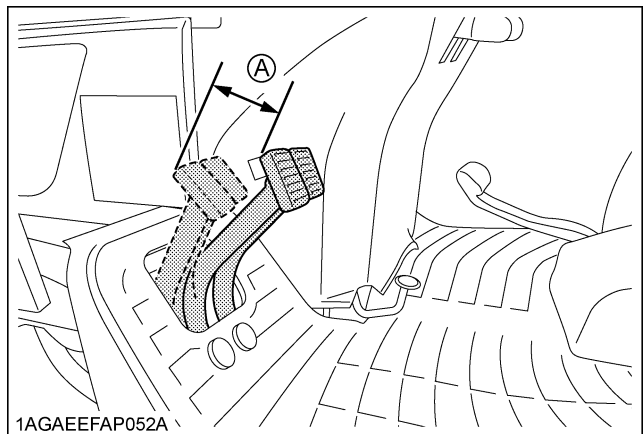
WARNING

To avoid personal injury or death:

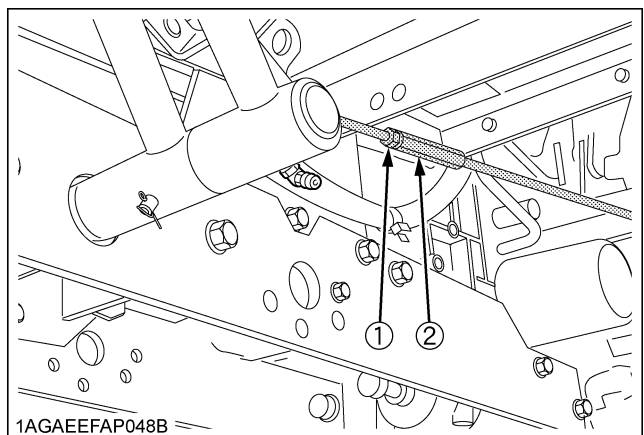
- Stop the engine and chock the wheels before checking brake pedal.

Proper brake pedal free travel	30 to 40 mm (1.18 to 1.57 in.) on the pedal
	Keep the free travel in the right and left brake pedals equal.

1. Release the parking brake.
2. Slightly depress the brake pedals and measure free travel at the top of pedal stroke.
3. If adjustment is needed, loosen the lock nut and turn the turnbuckle to adjust the rod length within acceptable limits.
4. Retighten the lock nut.



(A) Free travel



(1) Lock nut (Both sides)
(2) Turnbuckle (Both sides)

EVERY 200 HOURS

■ Replacing Engine Oil Filter



WARNING

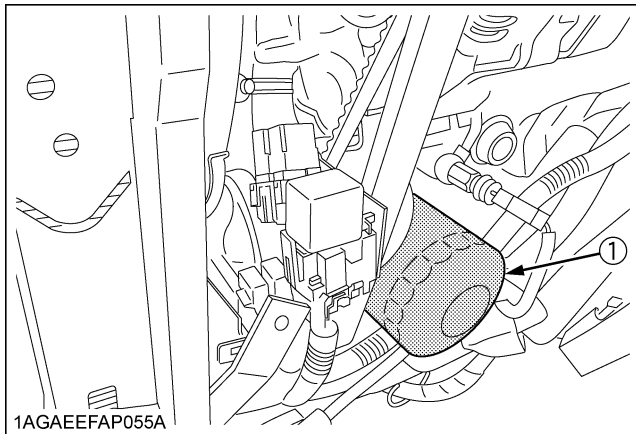
To avoid personal injury or death:

- Be sure to stop the engine before changing the oil filter cartridge.
- Allow engine to cool down sufficiently, oil can be hot and can burn.

1. Remove the oil filter.
2. Put a film of clean engine oil on the rubber seal of the new filter.
3. Tighten the filter quickly until it contacts the mounting surface.

Tighten filter by hand an additional 1/2 turn only.

4. After the new filter has been replaced, the engine oil normally decreases a little. Make sure that the engine oil does not leak through the seal and be sure to check the oil level on the dipstick. Then, replenish the engine oil up to the prescribed level.



(1) Engine oil filter

IMPORTANT :

- To prevent serious damage to the engine, use only a KUBOTA genuine filter.

■ Changing Engine Oil



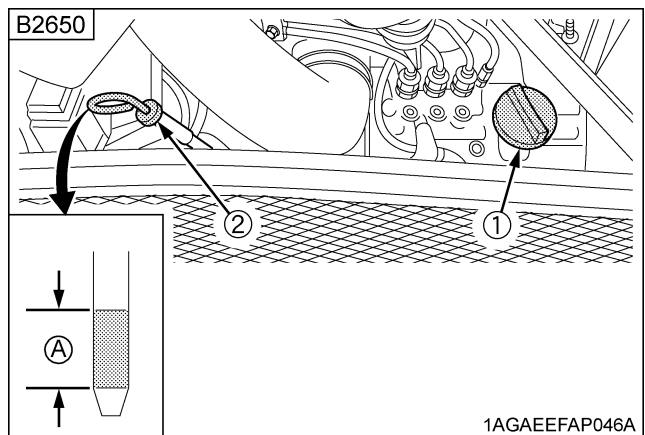
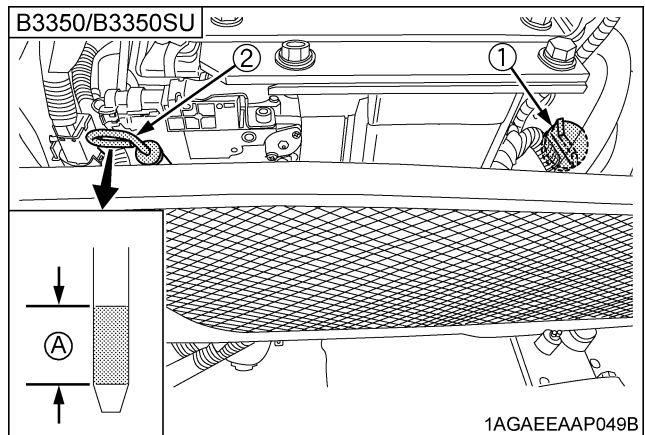
WARNING

To avoid personal injury or death:

- Be sure to stop the engine before changing the oil.
- Allow engine to cool down sufficiently, oil can be hot and can burn.

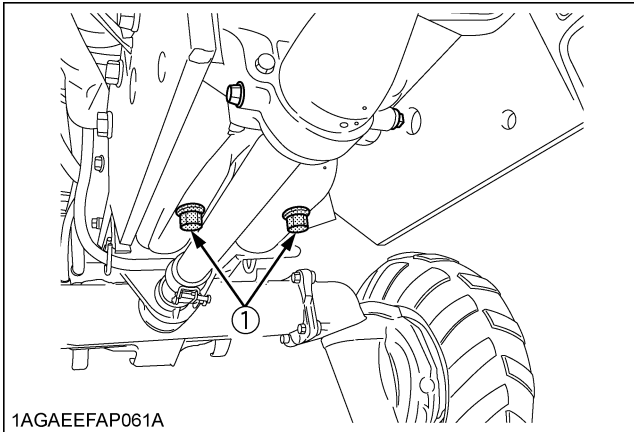
1. To drain the used oil, remove the drain plug at the bottom of the engine and drain the oil completely into the oil pan.
2. After draining reinstall the drain plug.
3. Fill with the new oil up to the upper line on the dipstick. (See "LUBRICANTS, FUEL AND COOLANT" in "MAINTENANCE" section.)

Oil capacity with filter	B3350/B3350SU	4.8 L (5.1 U.S.qts.)
	B2650	4.0 L (4.2 U.S.qts.)



(1) Oil inlet
(2) Dipstick

(A) Oil level is acceptable within this range



(1) Drain plug (both sides)

■ Replacing Transmission Oil Filter [HST]

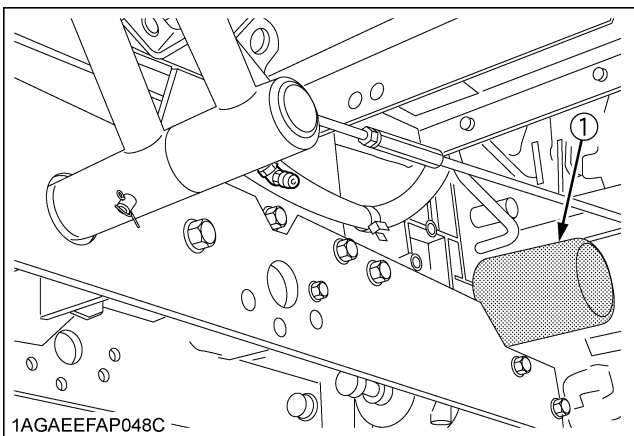


WARNING

To avoid personal injury or death:

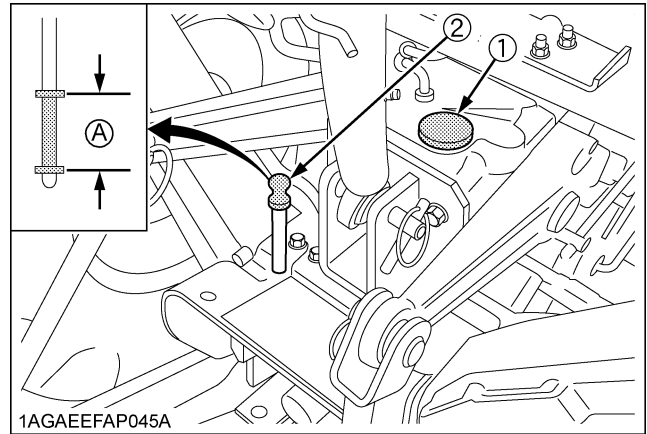
- Be sure to stop the engine before changing the oil filter cartridge.
- Allow engine to cool down sufficiently, oil can be hot and can burn.

1. Place the oil pan underneath the transmission oil filter and remove the filter.
Do not remove the hydraulic oil filter. Otherwise, the oil comes out.



(1) Transmission oil filter [HST]

2. Put a film of clean transmission oil on the rubber seal of the new filter.
3. Quickly tighten the filter until it contacts the mounting surface, then, with a filter wrench, tighten it an additional 1 turn only.
4. After the new filter has been replaced, fill the transmission oil up to the upper limit on the dipstick.



(1) Oil inlet (A) Oil level is acceptable within this range
(2) Dipstick

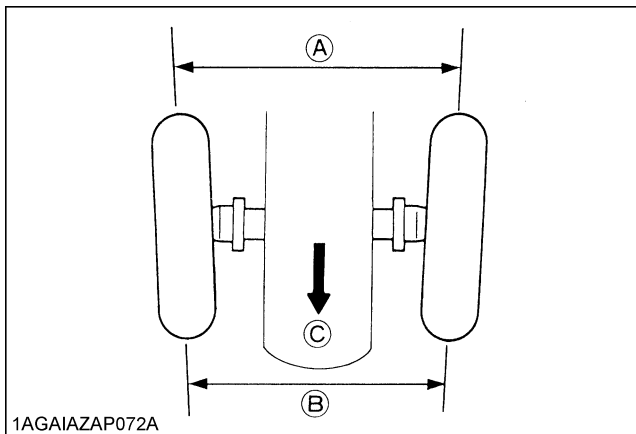
5. After running the engine for a few minutes, stop the engine and check the oil level again, add oil to the prescribed level.
6. Make sure that the transmission fluid doesn't leak past the seal on the filter.

IMPORTANT :

- To prevent serious damage to the hydraulic system, use only a KUBOTA genuine filter.
- Do not operate the tractor immediately after changing the transmission fluid.
Run the engine at medium speed for a few minutes to prevent damage to the transmission.

■ Adjusting Toe-in

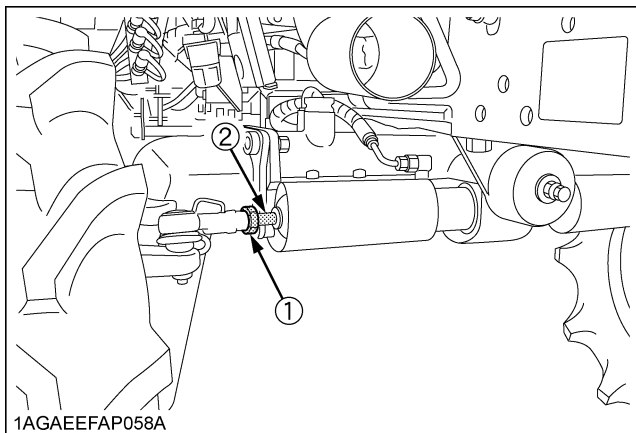
1. Park tractor on a flat place.
2. Turn steering wheel so front wheels are in the straight ahead position.
3. Lower the implement, lock the park brake and stop the engine.
4. Measure distance between tire beads at front of tire, hub height.
5. Measure distance between tire beads at rear of tire, hub height.
6. Front distance should be 0 to 10 mm (0 to 3/8 in.) less than rear distance. If not, adjust tie rod length.



(A) Wheel - to - wheel distance at rear
 (B) Wheel - to - wheel distance at front
 (C) "FRONT"

◆ Adjusting procedures

1. Loosen the tie-rod nut.
2. Turn the tie-rod joint to adjust the rod length until the proper toe-in measurement is obtained.
3. Retighten the tie-rod nut.



(1) Tie-rod nut
 (2) Tie-rod joint

EVERY 400 HOURS

■ Changing Transmission Fluid



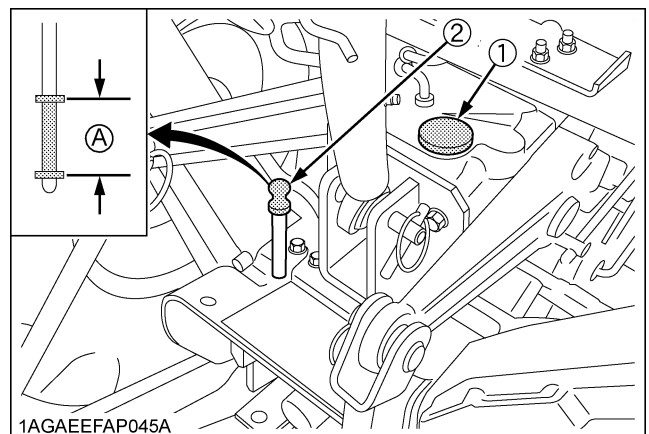
WARNING

To avoid personal injury or death:

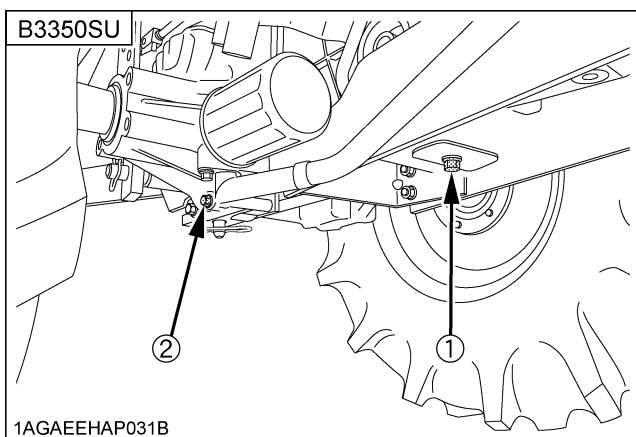
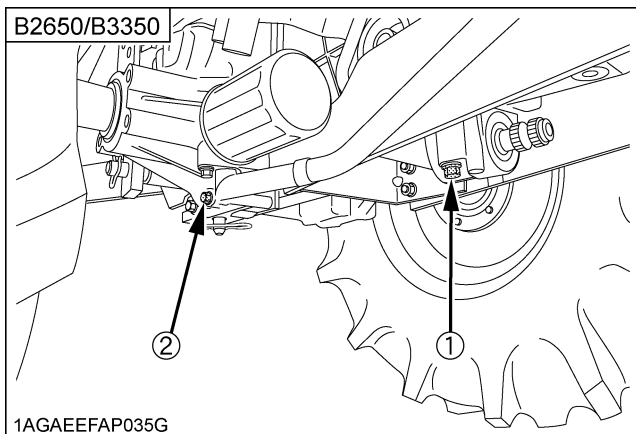
- Allow engine to cool down sufficiently, oil can be hot and can burn.

1. To drain the used oil, remove the drain plug at the bottom of the transmission case and drain the oil completely into the oil pan.
2. After draining reinstall the drain plug.
3. Fill with new KUBOTA SUPER UDT fluid up to the upper limit on the dipstick.
 (See "LUBRICANTS, FUEL AND COOLANT" in "MAINTENANCE" section and "DAILY CHECK" in "PERIODIC SERVICE" section.)
4. After running the engine for a few minutes, stop it and check the oil level again; add oil to prescribed level.
5. Properly dispose of used oil.

Oil capacity	15 L (4.0 U.S.gals.)
--------------	----------------------



(1) Oil inlet
 (2) Dipstick
 (A) Oil level is acceptable within this range



- (1) Drain plug
(2) Drain plug (Both sides)

IMPORTANT :

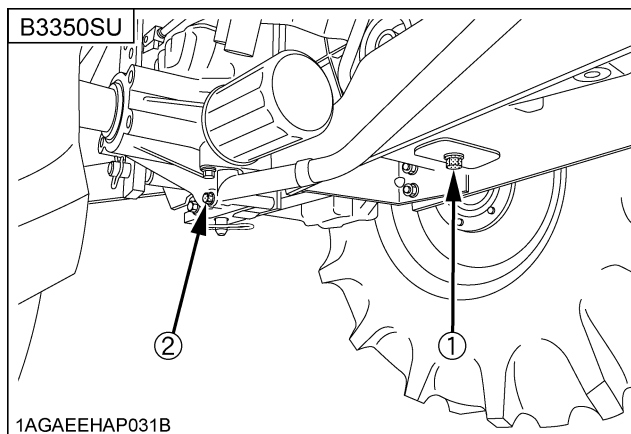
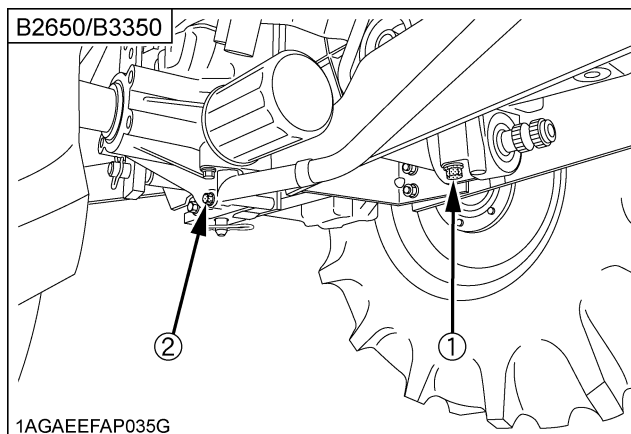
- If the 3-point hitch can not be raised by setting the hydraulic control lever to the UP position after long term storage or when changing the transmission oil, turn steering wheel to the right and left several times to bleed air from the system.
- Do not operate the tractor immediately after changing the transmission fluid.

Replacing Hydraulic Oil Filter**WARNING**

To avoid personal injury or death:

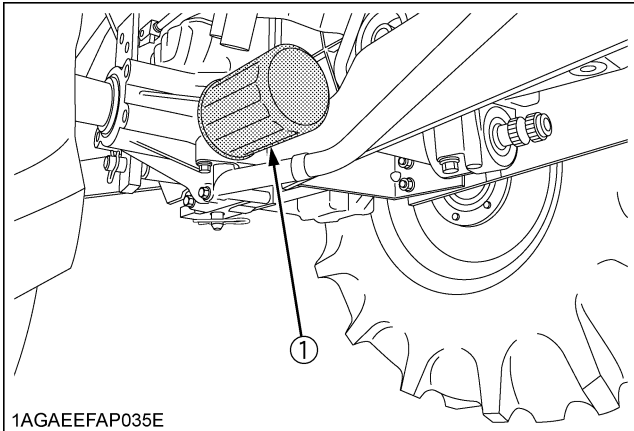
- Be sure to stop the engine before changing the oil filter cartridge.
- Allow engine to cool down sufficiently, oil can be hot and can burn.

1. Remove the drain plugs at the bottom of the transmission case and drain the oil completely into the oil pan.
2. After draining reinstall the drain plugs.



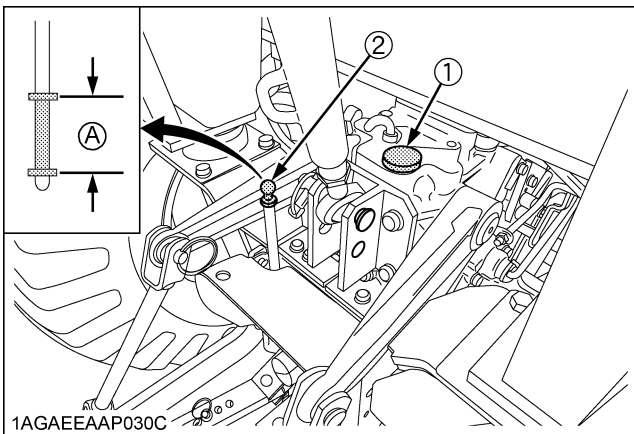
- (1) Drain plug
(2) Drain plugs (Both sides)

3. Remove the oil filter.



(1) Hydraulic oil filter

4. Put a film of clean transmission oil on the rubber seal of the new filter.
5. Quickly tighten the filter until it contacts the mounting surface, then tighten it by hand an additional 1/2 turn only.
6. After the new filter has been replaced, fill the transmission oil up to the upper limit on the dipstick.



(1) Oil inlet (A) Oil level is acceptable within this range
(2) Dipstick

7. After running the engine for a few minutes, stop the engine and check the oil level again, add oil to the prescribed level.
8. Make sure that the transmission fluid doesn't leak past the seal on the filter.

IMPORTANT :

- To prevent serious damage to the hydraulic system, use only a KUBOTA genuine filter.

Adjusting Front Axle Pivot [4WD]



WARNING

To avoid personal injury or death:

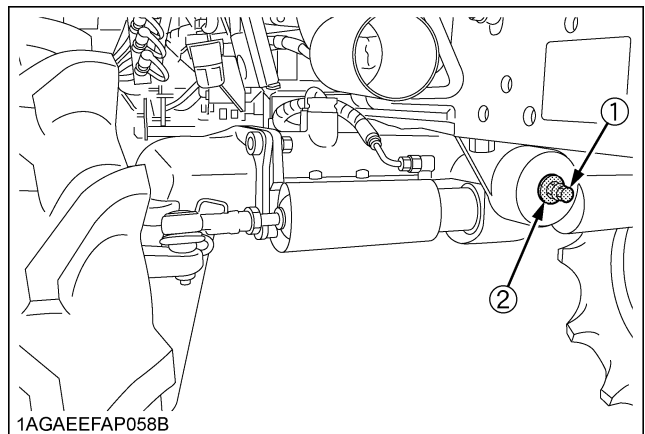
- Park the tractor on a flat place.
- Lower the implement, lock the parking brake and stop the engine.

If the front axle pivot pin adjustment is not correct, front wheel vibration can occur causing vibration in the steering wheel.

Adjusting procedure

Loosen the lock nut, and tighten the adjusting screw so that the oscillating load is 50 to 100 N (5.1 to 10.2 kgf, 11.2 to 22.5 lbf). (If the adjusting screw is tightened, loosened and retightened, apply liquid gasket to its tip.) Retighten the lock nut.

Consult your local KUBOTA Dealer for further details.



(1) Adjusting screw
(2) Lock nut

Replacing Fuel Filter Element

(See "Cleaning Fuel Filter" in "EVERY 100 HOURS" in "PERIODIC SERVICE" section.)

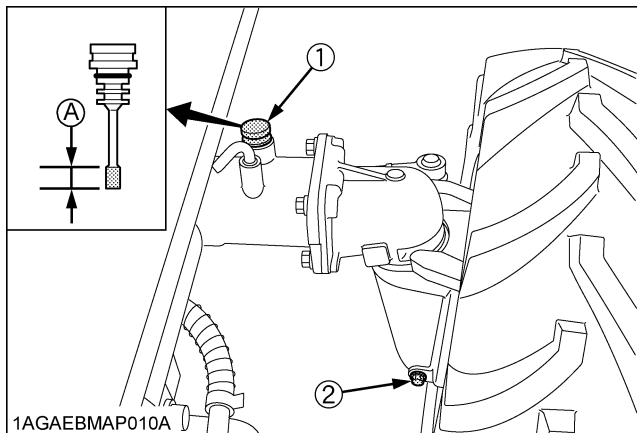
Changing Front Axle Case Oil

1. Park the tractor on a firm, flat and level surface.
2. To drain the used oil, remove the right and left drain plugs and filling plug at the front axle case and drain the oil completely into the oil pan.
3. After draining, reinstall the drain plugs.
4. Fill with new oil up to the upper notch on the dipstick. (See "LUBRICANTS, FUEL AND COOLANT" in "MAINTENANCE" section.)

IMPORTANT :

- After 10 minutes, check the oil level again; add oil to prescribed level.
5. After filling, reinstall the filling plug.
 6. Properly dispose of used oil.

Oil capacity	4.7 L (5.0 U.S.qts.)
--------------	----------------------



(1) Filling plug with dipstick (A) Oil level is acceptable
(2) Drain plug within this range.

EVERY 800 HOURS

Adjusting Engine Valve Clearance

Consult your local KUBOTA Dealer for this service.

EVERY 1 000 HOURS or 1 YEAR

Be sure to do the following servicing once every 1 000 hours or yearly, whichever comes first.

Replacing Air Cleaner Primary Element and Secondary Element

(See "Cleaning Air Cleaner Primary Element" in "EVERY 100 HOURS" in "PERIODIC SERVICE" section.)

IMPORTANT :

- To prevent serious damage to the engine, use only a KUBOTA genuine filter.

EVERY 1 500 HOURS

Checking Fuel Injection Nozzle Injection Pressure

Consult your local KUBOTA Dealer for this service.

EVERY 2 000 HOURS or 2 YEARS

Be sure to do the following servicing once every 2 000 hours or biennially, whichever comes first.

Flushing Cooling System and Changing Coolant

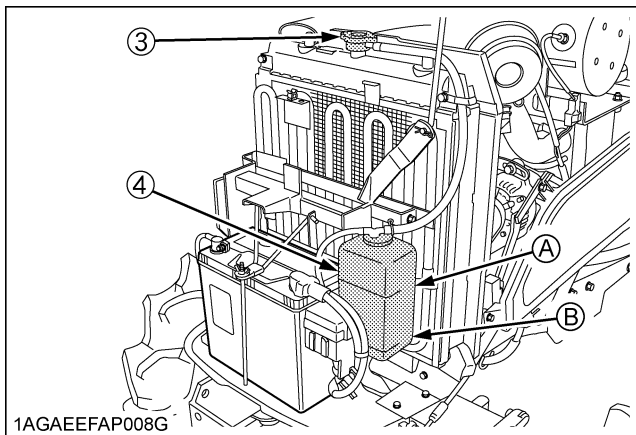
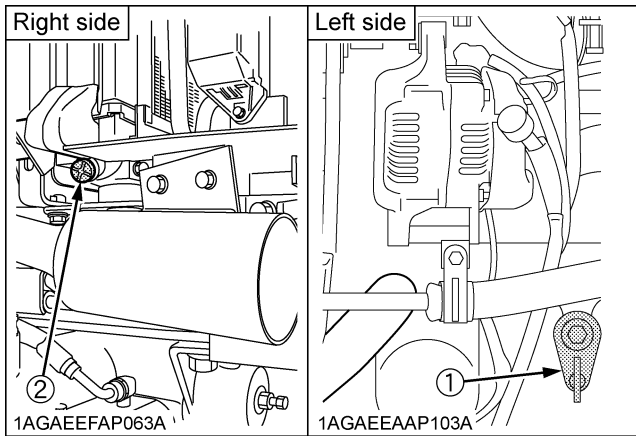
WARNING

To avoid personal injury or death:

- Do not remove radiator cap while coolant is hot. When cool, slowly rotate cap to the first stop and allow sufficient time for excess pressure to escape before removing the cap completely.

1. Stop the engine, remove the key and let it cool down.
2. To drain the coolant, open the radiator drain cock, and remove the radiator drain plug and the radiator cap. The radiator cap must be removed to completely drain the coolant.
3. After all coolant is drained, close the drain cock and reinstall the drain plug.
4. Fill with clean soft water and cooling system cleaner.
5. Follow directions of the cleaner instruction.
6. After flushing, fill with clean soft water and anti-freeze until the coolant level is just below the radiator cap. Install the radiator cap securely.
7. Fill with coolant up to the "FULL" mark of recovery tank.
8. Start and operate the engine for few minutes.
9. Stop the engine, remove the key and let cool.
10. Check coolant level of recovery tank and add coolant if necessary.
11. Properly dispose of used coolant.

Model	Coolant capacity (with recovery tank)
B3350/B3350SU	4.3 L (4.5 U.S.qts.)
B2650	



- (1) Drain cock
- (2) Drain plug
- (3) Radiator cap
- (4) Recovery tank
- (A) "FULL"
- (B) "LOW"

IMPORTANT :

- Do not start engine without coolant.
- Use clean, fresh soft water and anti-freeze to fill the radiator and recovery tank.
- When mixing the anti-freeze with water, the anti-freeze mixing ratio is 50%.
- Securely tighten radiator cap. If the cap is loose or improperly fitted, water may leak out and the engine could overheat.

■ **Anti-Freeze**

! WARNING

To avoid personal injury or death:

- When using antifreeze, put on some protection such as rubber gloves. (Antifreeze contains poison.)
- If it is swallowed, seek immediate medical help. Do NOT make a person throw up unless told to do so by poison control or a health care professional. Use standard first aid and CPR for signs of shock or cardiac arrest. Call your local Poison Control Center or your local emergency number for further assistance.
- When antifreeze comes in contact with the skin or clothing, wash it off immediately.
- Do not mix different types of Antifreeze. The mixture can produce chemical reaction causing harmful substances.
- Antifreeze is extremely flammable and explosive under certain conditions. Keep fire and children away from antifreeze.
- When draining fluids from the engine, place some container underneath the engine body.
- Do not pour waste onto the ground, down a drain, or into any water source.
- Also, observe the relevant environmental protection regulations when disposing of antifreeze.

Always use a 50/50 mix of long-life coolant and clean soft water in KUBOTA engines.

Consult your local KUBOTA Dealer concerning coolant for extreme conditions.

1. Long-life coolant (hereafter LLC) comes in several types. Use ethylene glycol (EG) type for this engine.
2. Before employing LLC-mixed cooling water, fill the radiator with fresh water and empty it again. Repeat this procedure 2 or 3 times to clean up the inside.
3. Mixing the LLC
Premix 50% LLC with 50% clean soft water. When mixing, stir it up well, and then fill into the radiator.
4. The procedure for the mixing of water and antifreeze differs according to the make of the antifreeze and the ambient temperature. Refer to SAE J1034 standard, more specifically also to SAE J814c.

Vol % Anti-freeze	Freezing Point		Boiling Point*	
	°C	°F	°C	°F
50	-37	-34	108	226

* At 1.013 x 10⁵Pa (760mmHg) pressure (atmospheric). A higher boiling point is obtained by using a radiator pressure cap which permits the development of pressure within the cooling system.

5. Adding the LLC

- (1) Add only water if the mixture reduces in amount by evaporation.
- (2) If there is a mixture leak, add the LLC of the same manufacturer and type in the same mixture percentage.
 - * Never add any long-life coolant of different manufacturer. (Different brands may have different additive components, and the engine may fail to perform as specified.)

6. When the LLC is mixed, do not employ any radiator cleaning agent. The LLC contains anticorrosive agent. If mixed with the cleaning agent, sludge may build up, adversely affecting the engine parts.

7. Kubota's genuine long-life coolant has a service life of 2 years. Be sure to change the coolant every 2000 hours or every 2 years whichever comes faster.

NOTE :

- The above data represent industry standards that necessitate a minimum glycol content in the concentrated antifreeze.

EVERY 3 000 HOURS**■ Checking Injection Pump**

Consult your local KUBOTA Dealer for this service.

■ Checking Turbocharger

[B3350/B3350SU only]

Consult your local KUBOTA Dealer for this service.

EVERY 1 YEAR**■ Checking Radiator Hoses and Clamps****WARNING**

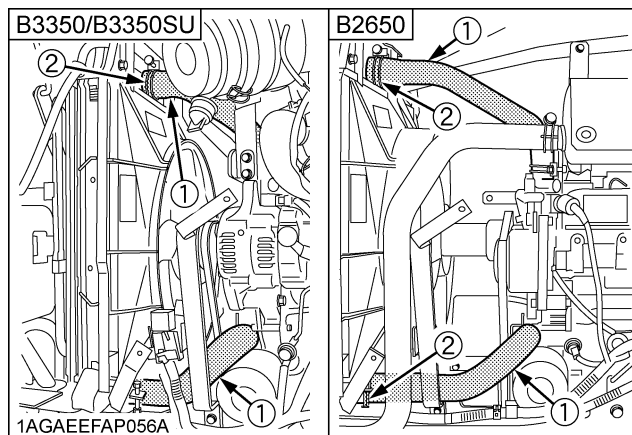
To avoid personal injury or death:

- Be sure to stop the engine and remove the key before checking radiator hose and clamp.
- Allow engine and coolant to cool down sufficiently before checking.

Inspect every year; replace if any deterioration (crack, hardening, scar, or deformation) or damage occurred.

1. If hose clamps are loose or water leaks, tighten bands securely.
2. Replace hoses and tighten hose clamps securely, if radiator hoses are swollen, hardened or cracked.

Replace hoses and hose clamps every 4 years or earlier if checked and found that hoses are swollen, hardened or cracked.



(1) Radiator hoses (2 hoses)
(2) Clamp bands (4 clamps)

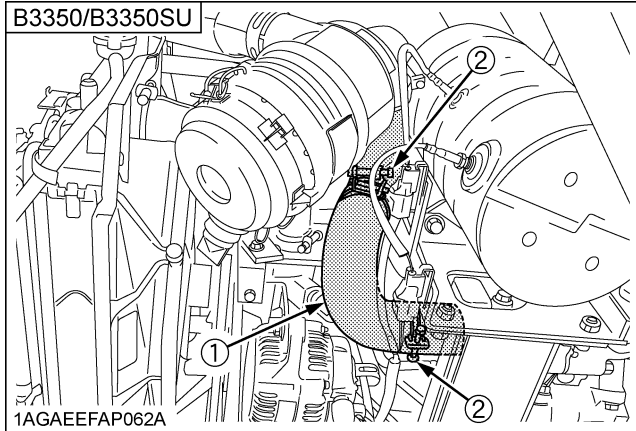
◆ Precaution at Overheating

Take the following actions in the event the coolant temperature is nearly or more than the boiling point, what is called "Overheating"

1. Park the tractor in a safe place and keep the engine unloaded idling.
2. Don't stop the engine suddenly, but stop it after about 5 minutes of unloaded idling.
3. Keep yourself well away from the machine for further 10 minutes or while the steam blows out.
4. Check that there are no dangers such as burns. Get rid of the causes of overheating according to the manual, see "TROUBLESHOOTING" section, and then, start again the engine.

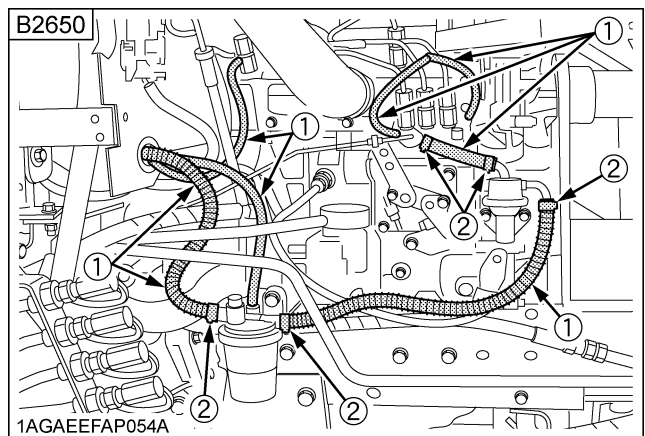
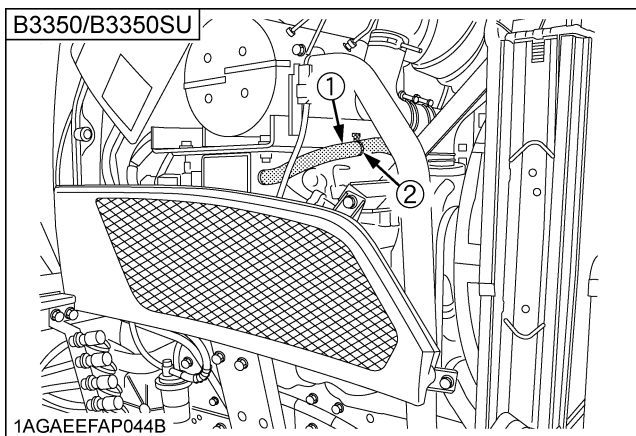
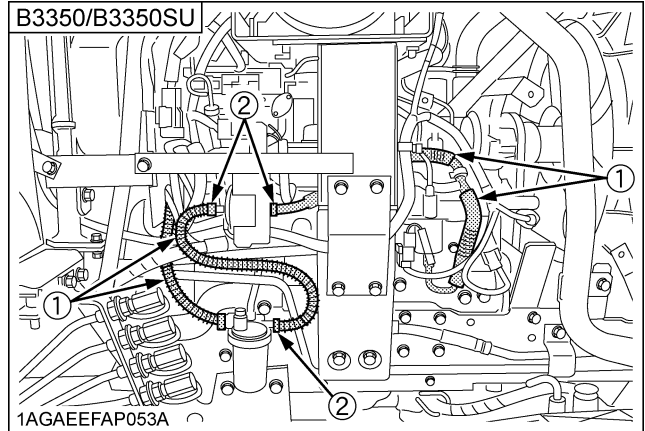
■ Checking Intake Air Line

1. Check to see that hoses and hose clamps are tight and not damaged.
2. If hoses and clamps are found worn or damaged, replace or repair them at once.



■ Checking Fuel Lines

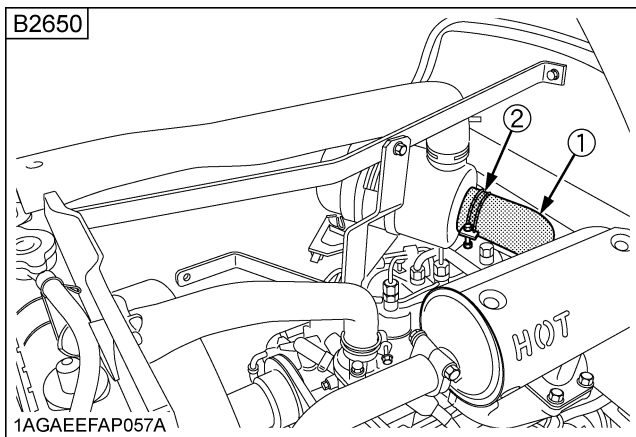
1. Check to see that all lines and hose clamps are tight and not damaged.
2. If hoses and clamps are found worn or damaged, replace or repair them at once.



- (1) Fuel lines
(2) Clamp bands

NOTE :

- If the fuel line is removed, be sure to properly bleed the fuel system.
(See "Bleeding Fuel System" in "SERVICE AS REQUIRED" in "PERIODIC SERVICE" section.)



- (1) Hose
(2) Hose clamps

■ Checking Exhaust manifold

[B3350/B3350SU only]

Consult your local KUBOTA Dealer for this service.

EVERY 4 YEARS

■ Replacing Radiator Hose (Water pipes)

Replace the hoses and clamps.

(See "Checking Radiator Hoses and Clamps" in "EVERY 1 YEAR" in "PERIODIC SERVICE" section.)

■ Replacing Fuel Lines

Consult your local KUBOTA Dealer for this service.

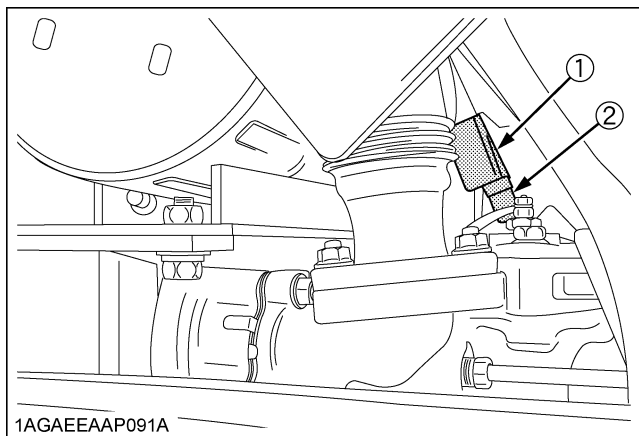
■ Replacing Intake Air Line

Consult your local KUBOTA Dealer for this service.

■ Replacing Differential Pressure Sensor Hose

[B3350 only]

Consult your local KUBOTA Dealer for this service.



(1) Differential Pressure Sensor
(2) Hose

SERVICE AS REQUIRED

■ Bleeding Fuel System

Air must be removed:

1. When the fuel filter or lines are removed.
2. When the tank is completely empty.
3. After the tractor has not been used for a long period of time.

◆ Bleeding procedure is as follows:

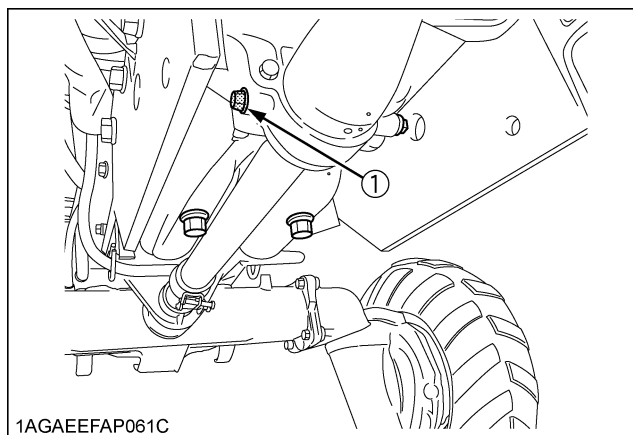
1. Fill the fuel tank with fuel.
2. Start the engine and run for about 30 seconds, and then stop the engine.

■ Draining Clutch Housing Water

The tractor is equipped with a drain plug under the clutch housing.

After operating in rain, snow or tractor has been washed, water may get into the clutch housing.

Remove the drain plug and drain the water, then install the plug again.



(1) Water drain plug

◆ Protected circuit

B3350/B3350SU		
FUSE No.	CAPACITY (A)	Protected circuit
(1)	10	ECU
(2)	5	Panel / OPC
(3)	10	Alternator / Fuel pump / Governor
(4)	10	Head Light
(5)	5	Glow Relay
(6)	5	Starter / ECU
(7)	10	Outlet (Rear)
(8)	10	Outlet (Right side)
(9)	5	Panel
(10)	15	Flasher / Hazard
(11)	5	Spare Fuse
(12)	10	Spare Fuse
(13)	15	Spare Fuse
(14)	30	Spare Fuse
(15)	30	Starter Relay
(16)	15	Reforming Glow
(17)	Slow blow fuse	Check circuit against wrong battery connection

B2650		
FUSE No.	CAPACITY (A)	Protected circuit
(1)	30	Key Stop
(2)	15	Flasher / Hazard
(3)	5	Panel
(4)	5	Glow Relay
(5)	10	Head Light
(6)	5	Panel / OPC
(7)	5	Dynamo / ACC Relay
(8)	10	Outlet (Right side)
(9)	10	Outlet (Rear)
(10)	5	Spare Fuse
(11)	10	Spare Fuse
(12)	15	Spare Fuse
(13)	30	Spare Fuse
(17)	Slow blow fuse	Check circuit against wrong battery connection

■ Replacing Light Bulb

1. Head lights
Take the bulb out of the light body and replace with a new one.
2. Other lights
Detach the lens and replace the bulb.

Light	Capacity
Head light	23 W
Tail light	8 W
Turn signal / Hazard light	23 W / 32 CP

Replace the below parts if any deterioration (crack, hardening, scar or deformation) or damage occurred. However, must be replaced every 4 years regardless of the condition.

■ Replacing Radiator Hose (Water pipes)

Replace the hoses and clamps.
(See "Checking Radiator Hoses and Clamps" in "EVERY 1 YEAR" in "PERIODIC SERVICE" section.)

■ Replacing Fuel Lines

Consult your local KUBOTA Dealer for this service.

■ Replacing Intake Air Line

Consult your local KUBOTA Dealer for this service.

STORAGE



WARNING

To avoid personal injury or death:

- Do not clean the machine while the engine is running.
- To avoid the danger of exhaust fume poisoning, do not operate the engine in a closed building without proper ventilation.
- When storing, remove the key from the key switch to avoid unauthorized persons from operating the tractor and getting injured.

TRACTOR STORAGE

If you intend to store your tractor for an extended period of time, follow the procedures outlined below. These procedures will insure that the tractor is ready to operate with minimum preparation when it is removed from storage.

1. Check the bolts and nuts for looseness, and tighten if necessary.
2. Apply grease to tractor areas where bare metal will rust also to pivot areas.
3. Detach the weights from the tractor body.
4. Inflate the tires to a pressure a little higher than usual.
5. Change the engine oil and run the engine to circulate oil throughout the engine block and internal moving parts for about 5 minutes.
6. With all implements lowered to the ground, coat any exposed hydraulic cylinder piston rods with grease.
7. Remove the battery from the tractor. Store the battery following the battery storage procedures.
(See "Checking Battery Condition" in "EVERY 100 HOURS" in "PERIODIC SERVICE" section.)
8. Keep the tractor in a dry place where the tractor is sheltered from the elements. Cover the tractor.
9. Store the tractor indoors in a dry area that is protected from sunlight and excessive heat. If the tractor must be stored outdoors, cover it with a waterproof tarpaulin. Jack the tractor up and place blocks under the front and rear axles so that all 4 tires are off the ground. Keep the tires out of direct sunlight and extreme heat.

IMPORTANT :

- When washing the tractor, be sure to stop the engine. Allow sufficient time for the engine to cool before washing.
- Cover the tractor after the muffler and the engine have cooled down.

REMOVING THE TRACTOR FROM STORAGE

1. Check the tire air pressure and inflate the tires if they are low.
2. Jack the tractor up and remove the support blocks from under the front and rear axles.
3. Install the battery. Before installing the battery, be sure it is fully charged.
4. Check the fan belt tension.
5. Check all fluid levels (engine oil, transmission/hydraulic oil, engine coolant and any attached implements).
6. Start the engine. Observe all gauges. If all gauges are functioning properly and reading normal, move the tractor outside. Once outside, park the tractor and let the engine idle for at least 5 minutes. Shut the engine off and walk around tractor and make a visual inspection looking for evidence of oil or water leaks.
7. With the engine fully warmed up, release the parking brake and test the brakes for proper adjustment as you move forward. Adjust the brakes as necessary.

TROUBLESHOOTING

ENGINE TROUBLESHOOTING

If something is wrong with the engine, refer to the table below for the cause and its corrective measure.

Trouble		Cause	Countermeasure
Engine is difficult to start or won't start.		<ul style="list-style-type: none"> No fuel flow. 	<ul style="list-style-type: none"> Check the fuel tank and the fuel filter. Replace filter if necessary.
		<ul style="list-style-type: none"> Air or water is in the fuel system. 	<ul style="list-style-type: none"> Check to see if the fuel line coupler bolt and nut are tight. Bleed the fuel system (See "Bleeding Fuel System" in "SERVICE AS REQUIRED" in "PERIODIC SERVICE" section.)
		<ul style="list-style-type: none"> In winter, oil viscosity increases, and engine revolution is slow. 	<ul style="list-style-type: none"> Use oils of different viscosities, depending on ambient temperatures. Use engine block heater. (Option)
		<ul style="list-style-type: none"> Battery becomes weak and the engine does not turn over quick enough. 	<ul style="list-style-type: none"> Clean battery cables & terminals. Charge the battery. In cold weather, always remove the battery from the engine, charge and store it indoors. Install it on the tractor only when the tractor is going to be used.
Insufficient engine power.		<ul style="list-style-type: none"> Insufficient or dirty fuel. The air cleaner is clogged. 	<ul style="list-style-type: none"> Check the fuel system. Clean or replace the element.
Engine stops suddenly.		<ul style="list-style-type: none"> Insufficient fuel. 	<ul style="list-style-type: none"> Refuel. Bleed the fuel system if necessary.
Exhaust fumes are colored.	Black	<ul style="list-style-type: none"> Fuel quality is poor. Too much oil. The air cleaner is clogged. 	<ul style="list-style-type: none"> Change the fuel and fuel filter. Check the proper amount of oil. Clean or replace the element.
	Blue White	<ul style="list-style-type: none"> The inside of exhaust muffler is dumped with fuel. Injection nozzle trouble. Fuel quality is poor. 	<ul style="list-style-type: none"> Heat the muffler by applying load to the engine. Check the injection nozzle. Change the fuel and fuel filter.
Engine overheats.		<ul style="list-style-type: none"> Engine overloaded. 	<ul style="list-style-type: none"> Shift to lower gear or reduce load.
		<ul style="list-style-type: none"> Low coolant level. 	<ul style="list-style-type: none"> Fill cooling system to the correct level; check radiator and hoses for loose connections or leaks.
		<ul style="list-style-type: none"> Loose or defective fan belt. 	<ul style="list-style-type: none"> Adjust or replace fan belt.
		<ul style="list-style-type: none"> Dirty radiator core or grille screens. 	<ul style="list-style-type: none"> Remove all trash.
		<ul style="list-style-type: none"> Coolant flow route corroded. 	<ul style="list-style-type: none"> Flush cooling system.

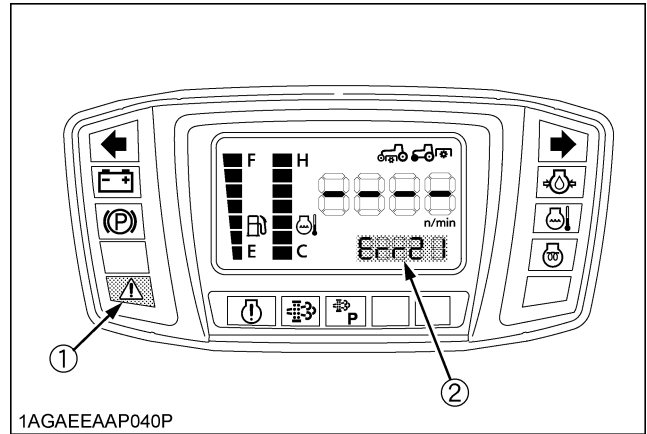
If you have any questions, consult your local KUBOTA Dealer.

Trouble	Operator's action
Engine not overheated, but engine warning indicator on.	Stop the engine and get it restarted. If the engine fails to restart or the indicator stays on, immediately contact your local KUBOTA dealer.

If you have any questions, consult your local KUBOTA Dealer.

POWER TRAIN TROUBLE SHOOTING

If something is wrong with the power train, the master system warning indicator starts blinking and the error code shown below is displayed on the liquid crystal display, indicating the location of the trouble. If an error code appears, immediately contact your local KUBOTA Dealer for repairs.



(1) Master system warning indicator

(2) Error code

[B3350/B3350SU]

Displayed error code	Trouble	Operator's action
Err 2	Fuel sensor trouble	Contact your local KUBOTA Dealer.
Err 3	Meter panel memory reading trouble	
Err 21	CAN communication trouble	

[B2650]

Displayed error code	Trouble	Operator's action
Err 1	Water temperature sensor trouble	Contact your local KUBOTA Dealer.
Err 2	Fuel sensor trouble	
Err 3	Meter panel memory reading trouble	

OPTIONS

Consult your local KUBOTA Dealer for further detail.

- Rear Work Light
High visibility for night work.
 - Front end weights
For front ballast
 - Mounting Kit (Front end weights)
To mount Front end weights
 - Engine Block Heater
For extremely cold weather starting
 - Rear Remote Hydraulics
 - Spacer Kit
-

APPENDICES

INDEX

3-point Hitch Lowering Speed	51	Front Axle Case Oil	82
Adjustment of Foldable ROPS	29	Front Axle Pivot [4WD]	81
Air Cleaner Primary Element.....	74	Front Ballast	58
Air Cleaner Primary Element and Secondary Element	82	Front Wheel Drive Lever.....	34
Air Inlet Pipe	69	Front Wheels	55
Anti-Freeze.....	83	Fuel Filter.....	75
Battery Condition.....	72	Fuel Filter Element	81
Biodiesel Fuel (BDF)	63	Fuel Gauge	37
Block Heater (Option).....	24	Fuel Injection Nozzle Injection Pressure	82
Brake Pedal.....	70	Fuel Lines	85
Brake Pedal.....	76	Fuel Lines	86
Brake Pedals (Right and Left)	32	Fuel Lines	88
Check Chains	48	Fuel System.....	86
Checking and Refueling	67	Fuse.....	87
Clutch Housing Water	86	Gauges, Meter and Easy Checker (TM).....	70
Control Lever and Hydraulic Hose Connections	52	Grill and Radiator Screen	69
Coolant Level	68	Hand Throttle Lever.....	34
Coolant Temperature Gauge.....	37	Handling Points	13
Diesel Oxidation Catalyst and Diesel Particulate Filter (DPF) Muffler.....	12	Head Light / Turn Signal / Hazard Light Switch.....	31
Differential Lock.....	39	Head Light, Hazard Light etc.	70
Differential Pressure Sensor Hose	86	Holes of lifting rods and lower links	47
Directions for Use of Power Steering	40	Hood	65
Display Mode.....	38	Hourmeter / Tachometer	38
Do not Operate the Tractor at Full Speed for the First 50 Hours.....	27	Hydraulic Block Type Outlet	51
DPF Muffler	70	Hydraulic Control	50
DPF Regeneration Process.....	13	Hydraulic Control Unit Use Reference Chart.	54
Drawbar.....	47	Hydraulic Oil Filter	80
Drawbar Length.....	49	Immediately Stop the Engine if:.....	36
Dual Tires	55	Inflation Pressure.....	55
Easy Checker (TM)	36	Injection Pump.....	84
Electrical Outlet	41	Intake Air Line.....	85
Electrical Wiring and Battery Cables	70	Intake Air Line.....	86
Engine Oil.....	77	Intake Air Line.....	88
Engine Oil Filter.....	77	LCD Monitor Message	44
Engine Oil Level	67	Lifting Rod (Right).....	47
Engine Side Cover	66	Light Bulb.....	88
Engine Start System.....	71	Loader / Remote Control Valve Lever	52
Engine Valve Clearance.....	82	Lubricating Grease Fittings.....	71
Evacuator Valve	69	Lubricating Oil for New Tractors	27
Exhaust manifold.....	85	Movable Parts.....	70
Fan Belt Tension	76	Operating on Slopes or Rough Terrain.....	40
Flushing Cooling System and Changing Coolant.....	82	Operating the Tractor on a Road	40
		Operator's Seat.....	29
		Parking	39
		Parking Brake	34
		PM Warning Level and Required Procedures	15

PM Warning Level and Required	
Procedures	18
Position Control	50
PTO Clutch Lever	43
PTO Clutch Lever	43
PTO Select Lever	42
Radiator Hose (Water pipes)	86
Radiator Hose (Water pipes)	88
Radiator Hoses and Clamps	84
Range Gear Shift Lever (L-M-H)	33
Rear Ballast	58
Rear Wheels	56
Regeneration Operating Procedure	14
Regeneration Operating Procedure	17
Seat Belt	30
Seat Belt and ROPS	70
Speed Control Pedal	35
Speed Set Device	35
Stationary PTO	44
Stopping	36
Telescopic Stabilizers	48
Tilt Steering Adjustment	30
Tips on DPF Regeneration	21
To Fold the ROPS	27
To Raise the ROPS to Upright Position	28
Toe-in	79
Top Link	47
Top Link Mounting Holes	47
Tractor Lights	32
Transmission Fluid	79
Transmission Fluid Level	68
Transmission Oil Filter [HST]	78
Transport the Tractor Safely	40
Treads	57
Turbocharger	84
Valve Lock	53
Walk Around Inspection	67
Warm-up Transmission Oil at Low Ambient Temperatures	25
Wheel Bolt Torque	72
