

Color of Wire Harness

B	Black
W	White
R	Red
G	Green
O	Olive
Or	Orange
Br	Brown
Bl	Blue
Y	Yellow

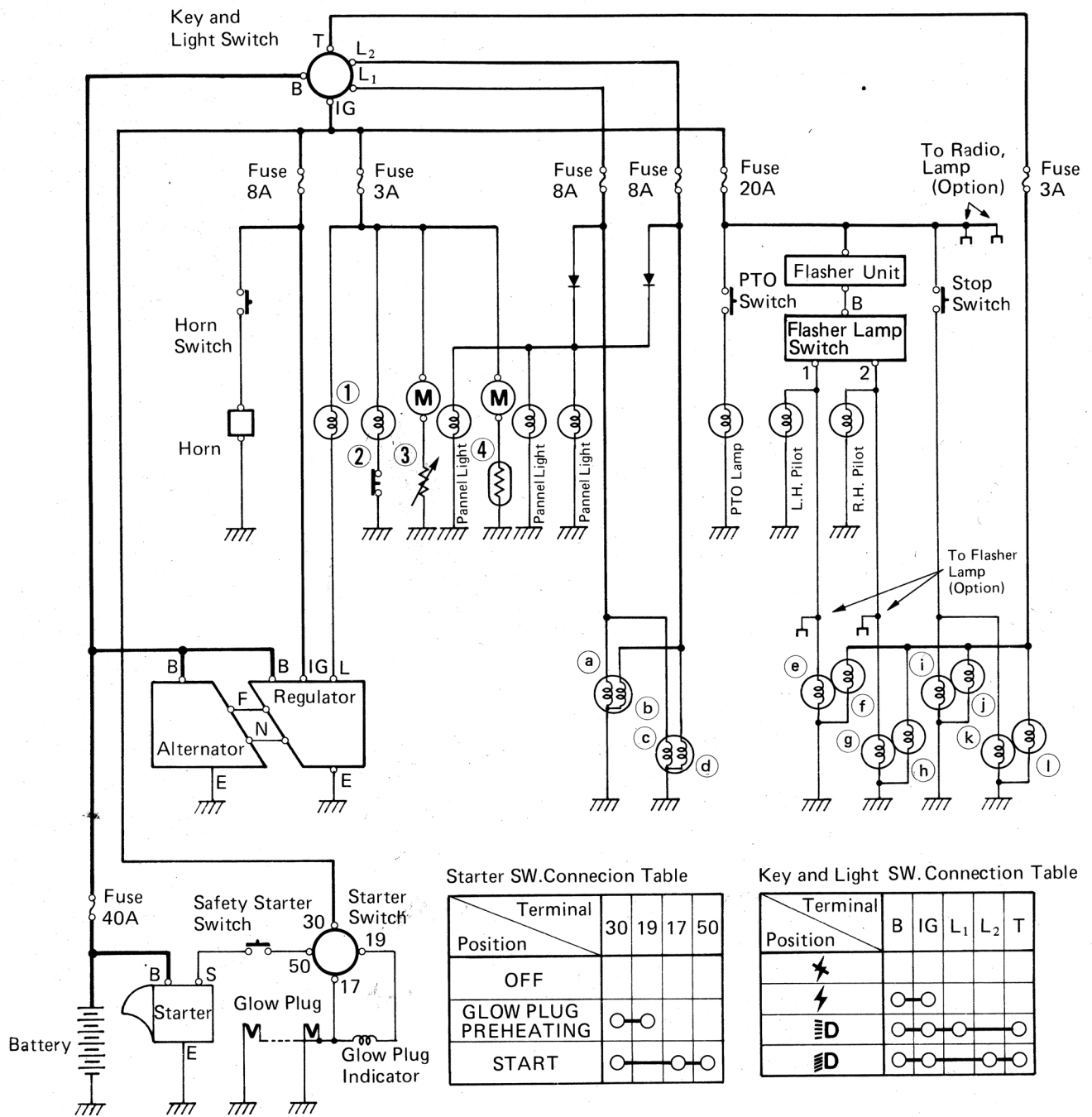
Head light lamp(R)
H/L 12V45W/45W

Head light lamp(L)
H/L 12V45W/45W

Stop lamp (R)
Tail lamp
12V23W/8W

Stop lamp (L)
Tail lamp
12V23W/8W

Color of Wire Harness



0309F032

- (1) Charge Warning Lamp
- (2) Oil Pressure Lamp and Sensor
- (3) Fuel Level Gauge and Sensor
- (4) Water Temp. Gauge and Sensor

- (a) L.H. Head Lamp (Hi)
- (b) L.H. Head Lamp (Lo)
- (c) R.H. Head Lamp (Hi)
- (d) R.H. Head Lamp (Lo)
- (e) L.H. Flasher Lamp
- (f) L.H. Position Lamp
- (g) R.H. Flasher Lamp
- (h) R.H. Position Lamp
- (i) L.H. Stop Lamp
- (j) L.H. Tail Lamp
- (k) R.H. Stop Lamp
- (l) R.H. Tail Lamp