

# OPERATOR'S MANUAL

# KUBOTA TRACTOR

**MODELS M4900 · M5700  
M6800S · M8200 · M9000**



F-10389A

*READ AND SAVE THIS MANUAL*

**Kubota**

# CONTENTS

## **▲ SAFE OPERATION ..... 1**

### **SERVICING OF TRACTOR ..... 9**

### **SPECIFICATIONS ..... 10**

SPECIFICATION TABLE ..... 10

TRAVELING SPEEDS ..... 12

### **IMPLEMENT LIMITATIONS ..... 14**

#### **Operation Section**

### **INSTRUMENT PANEL AND CONTROLS . 17**

### **PRE-OPERATION CHECK ..... 20**

DAILY CHECK ..... 20

### **OPERATING THE ENGINE ..... 21**

STARTING THE ENGINE ..... 21

STOPPING THE ENGINE ..... 25

WARMING UP ..... 25

JUMP STARTING ..... 26

### **OPERATING THE TRACTOR ..... 27**

OPERATING NEW TRACTOR ..... 27

OPERATING FOLDABLE ROPS ..... 28

STARTING ..... 30

STOPPING ..... 36

CHECK DURING DRIVING ..... 36

PARKING ..... 38

OPERATING TECHNIQUES ..... 39

### **PTO ..... 41**

PTO OPERATION ..... 41

### **THREE-POINT HITCH & DRAWBAR ..... 43**

3-POINT HITCH ..... 44

DRAWBAR ..... 47

### **HYDRAULIC UNIT ..... 48**

3-POINT HITCH CONTROL SYSTEM ... 48

REMOTE HYDRAULIC  
CONTROL SYSTEM ..... 49

### **TIRES, WHEELS AND BALLAST ..... 54**

TIRES ..... 54

WHEEL ADJUSTMENT ..... 55

BALLAST ..... 58

#### **Maintenance Section**

### **MAINTENANCE ..... 60**

SERVICE INTERVALS ..... 60

LUBRICANTS ..... 62

### **PERIODIC SERVICE ..... 63**

HOW TO OPEN THE HOOD ..... 63

DAILY CHECK ..... 64

EVERY 50 HOURS ..... 68

EVERY 100 HOURS ..... 69

EVERY 200 HOURS ..... 75

EVERY 300 HOURS ..... 78

EVERY 400 HOURS ..... 80

EVERY 600 HOURS ..... 82

EVERY 800 HOURS ..... 85

EVERY 1500 HOURS ..... 85

EVERY 3000 HOURS ..... 85

EVERY 1 YEAR ..... 85

EVERY 2 YEARS ..... 85

SERVICE AS REQUIRED ..... 87

### **STORAGE ..... 90**

TRACTOR STORAGE ..... 90

REMOVING THE TRACTOR  
FROM STORAGE ..... 90

### **TROUBLESHOOTING ..... 91**

ENGINE TROUBLESHOOTING ..... 91

### **OPTIONS ..... 92**

# MAINTENANCE

## SERVICE INTERVALS

No.	Items	Period	Indication on hour meter													Since then	Refer- ence page					
			50	100	150	200	250	300	350	400	450	500	550	600	650			700				
<b>M4900-M5700</b>																						
1	Engine oil	Change	☉	○		○		○		○		○		○		○		○	every 100 Hr	69		
2	Engine oil filter	Replace	☉			○				○								○	every 200 Hr	75		
3	Fuel filter element	Clean		○		○		○		○		○		○		○		○	every 100 Hr	73		
		Replace								○									every 400 Hr	80		@
4	Front axle case oil	Change	☉														○	every 600 Hr	83			
<b>M6800S-M8200-M9000</b>																						
1	Engine oil	Change	☉			○				○							○	every 200 Hr	75			
2	Engine oil filter	Replace	☉							○									every 400 Hr	80		
3	Fuel filter	Replace								○									every 400 Hr	80		@
4	Water separator	Clean	☉							○									every 400 Hr	81		
5	Front differential case oil	Change	☉														○	every 600 Hr	83			
6	Front axle gear case oil	Change	☉														○	every 600 Hr	84			

### IMPORTANT

- The jobs indicated by ☉ must be done after the first 50 hours of operation.
- The items listed above (@ marked) are registered as emission related critical parts by KUBOTA in the U.S.EPA nonroad emission regulation. As the engine owner, you are responsible for the performance of the required maintenance on the engine according to the above instruction.  
Please see the Warranty Statement in detail.

No.	Items	Period	Indication on hour meter														Since then	Reference page			
			50	100	150	200	250	300	350	400	450	500	550	600	650	700					
<b>COMMON ITEMS</b>																					
1	Engine start system	Check	○	○	○	○	○	○	○	○	○	○	○	○	○	○	○	○	every 50 Hr	68	
2	Wheel bolt torque	Check	○	○	○	○	○	○	○	○	○	○	○	○	○	○	○	○	every 50 Hr	69	
3	Battery condition	Check		○		○		○		○		○		○		○		every 100 Hr	71	*6	
4	Greasing	—		○		○		○		○		○		○		○		every 100 Hr	70		
5	Fan belt	Adjust		○		○		○		○		○		○		○		every 100 Hr	73		
6	Clutch	Adjust	◎	○		○		○		○		○		○		○		every 100 Hr	74		
7	Brake	Adjust		○		○		○		○		○		○		○		every 100 Hr	74		
8	Air cleaner element Double type]	Primary element	Clean	○		○		○		○		○		○		○		every 100 Hr	72	*1	
		Secondary element	Replace																every 1 year	85	*2
			Replace																	every 1 year	85
9	Radiator hose and clamp	Check				○				○				○				every 200 Hr	76		
		Replace																	every 2 years	86	
10	Power steering oil line	Check				○				○				○				every 200 Hr	77		
		Replace																	every 2 years	86	
11	Fuel line	Check				○				○				○				every 200 Hr	77		
		Replace																	every 2 years	86	@
12	Toe-in	Adjust				○				○				○				every 200 Hr	77		
13	Intake air line	Check				○				○				○				every 200 Hr	76	@	
		Replace																	every 2 years	86	*4
14	Greasing (2WD front wheel hub)	—								○								every 400 Hr	81		
15	Hydraulic oil filter	Replace	◎					○						○				every 300 Hr	78, 79	*5	
16	Transmission fluid	Change	◎											○				every 600 Hr	82		
17	Front axle pivot	Adjust												○				every 600 Hr	84		
18	Engine valve clearance	Adjust																every 800 Hr	85	*3	
19	Fuel injection nozzle injection pressure	Check																every 1500 Hr	85	*3 @	
20	Injection pump	Check																every 3000 Hr	85	*3 @	
21	Cooling system	Flush																every 2 years	85, 86		
22	Coolant	Change																every 2 years	85, 86		
23	Fuel system	Bleed																	87, 88		
24	Clutch housing water	Drain																Service as required	88		
25	Fuse	Replace																	89		
26	Light bulb	Replace																	89		

**IMPORTANT**

- The jobs indicated by ◎ must be done after the first 50 hours of operation.
- \*1 Air cleaner should be cleaned more often in dusty conditions than in normal conditions.
- \*2 After 6 times of cleaning.
- \*3 Consult your local KUBOTA Dealer for this service.
- \*4 Replace only if necessary.
- \*5 Hydraulic oil filter should be changed more often in severe conditions.
- \*6 When the battery is used for less than 100 hours per year, check the fluid level annually.
- The items listed above (@ marked) are registered as emission related critical parts by KUBOTA in the U.S.EPA nonroad emission regulation. As the engine owner, you are responsible for the performance of the required maintenance on the engine according to the above instruction.  
Please see the Warranty Statement in detail.

## LUBRICANTS

No.	Locations	Capacities					Lubricants						
		M4900	M5700	M6800S	M8200	M9000							
1	Fuel	65 L (17.2 U.S.gals.)			90 L (23.8 U.S.gals.)		No.2-D diesel fuel No.1-D diesel fuel if temperature is below -10°C (14°F)						
2	Coolant	7.3 L (7.7 U.S.qts.)	8.5 L (9.0 U.S.qts.)	9.0 L (9.5 U.S.qts.)			Fresh clean water with anti-freeze						
3	Engine crankcase	8 L (8.5 U.S.qts.)		10.7 L (11.3 U.S.qts.)			<ul style="list-style-type: none"> <li>Engine oil: API Service Classification CD, CE or CF <table border="1"> <tr> <td>Above 25°C (77°F)</td> <td>SAE30, SAE10W-30 or 10W-40</td> </tr> <tr> <td>0 to 25°C (32 to 77°F)</td> <td>SAE20, SAE10W-30 or 10W-40</td> </tr> <tr> <td>Below 0°C (32°F)</td> <td>SAE10W, SAE10W-30 or 10W-40</td> </tr> </table> </li> </ul>	Above 25°C (77°F)	SAE30, SAE10W-30 or 10W-40	0 to 25°C (32 to 77°F)	SAE20, SAE10W-30 or 10W-40	Below 0°C (32°F)	SAE10W, SAE10W-30 or 10W-40
Above 25°C (77°F)	SAE30, SAE10W-30 or 10W-40												
0 to 25°C (32 to 77°F)	SAE20, SAE10W-30 or 10W-40												
Below 0°C (32°F)	SAE10W, SAE10W-30 or 10W-40												
4	Transmission case	40 L (42.3 U.S.qts.)		52 L (54.9 U.S.qts.)			<ul style="list-style-type: none"> <li>KUBOTA UDT or SUPER UDT fluid*</li> </ul>						
5	Front axle case [4WD]	8.0 L (8.5 U.S.qts.)		—			<ul style="list-style-type: none"> <li>KUBOTA UDT or SUPER UDT fluid or SAE 80 · SAE 90 gear oil</li> </ul>						
6	Front differential case oil [4WD]	—		5.0 L (5.3 U.S.qts.)	6.0 L (6.3 U.S.qts.)								
7	Front axle gear case oil [4WD]	—		3.5 L (3.7 U.S.qts.)									
8	Greasing	No. of greasing points			Capacity		Type of grease						
	Front wheel hub [2WD]	2			Until grease overflows.		Multipurpose Grease NLGI-2 OR NLGI-1 (GC-LB)						
	Knuckle shaft [2WD]	2											
	Front wheel case support [4WD]	2											
	Front axle support	2											
	Top link	2											
	Top link bracket	2											
	Lift rod	1	3										
Battery terminal	2			moderate amount									

**NOTE:** \* KUBOTA UDT or SUPER UDT fluid...KUBOTA original transmission hydraulic fluid

**NOTE:**

- Engine Oil:**  
 Oil used in the engine should have an American Petroleum Institute (API) service classification and Proper SAE Engine Oil according to the ambient temperatures as shown above:
- Transmission oil:**  
 The oil used to lubricate the transmission is also used as hydraulic fluid. To insure proper operation of the hydraulic system and to complete lubrication of the transmission, it is important that a multi-grade transmission fluid is used in this system. We recommend the use of **KUBOTA SUPER UDT fluid** for optimum protection and performance.  
 (Consult your local KUBOTA Dealer for further detail.)  
 Do not mix different brands together.
- Indicated capacities of water and oil are manufacturer's estimate.

# PERIODIC SERVICE

## HOW TO OPEN THE HOOD



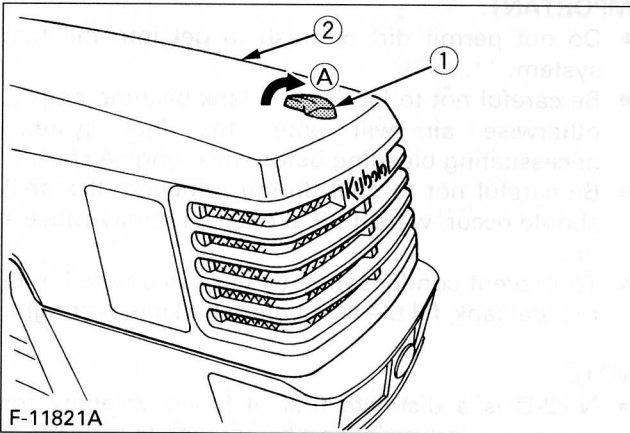
**CAUTION**

To avoid personal injury from contact with moving parts;

- Never open the hood while the engine is running.
- Do not touch muffler or exhaust pipes while they are hot; Severe burns could result.
- Support hood with other hand while unlocking support link.

**Hood**

To open the hood, twist the mascot to release the latch and open the hood.



F-11821A

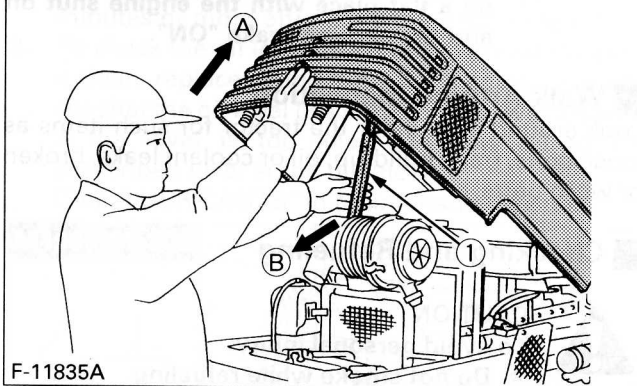
- (1) Mascot
- (2) Hood

(A) "OPEN"

**NOTE:**

- To close the hood, hold the hood and release the support link.

**M4900-M5700-M6800S**



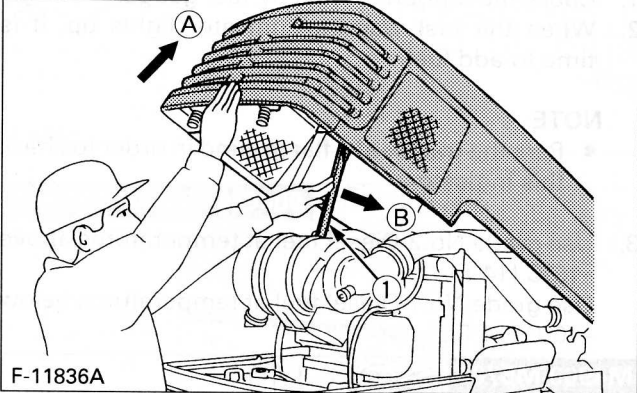
F-11835A

- (1) Support link

(A) "HOLD"

(B) "PULL"

**M8200-M9000**



F-11836A

- (1) Support link

(A) "HOLD"

(B) "PUSH"

## DAILY CHECK

For your own safety and maximum service life of the machine, make a through daily inspection before operating the machine to start the engine.



### CAUTION

To avoid personal injury:

- Be sure to check and service the tractor on a flat place with the engine shut off and the parking brake "ON".

### Walk Around Inspection

Look around and under the tractor for such items as loose bolts, trash build-up, oil or coolant leaks, broken or worn parts.

### Checking and Refueling



### CAUTION

To avoid personal injury:

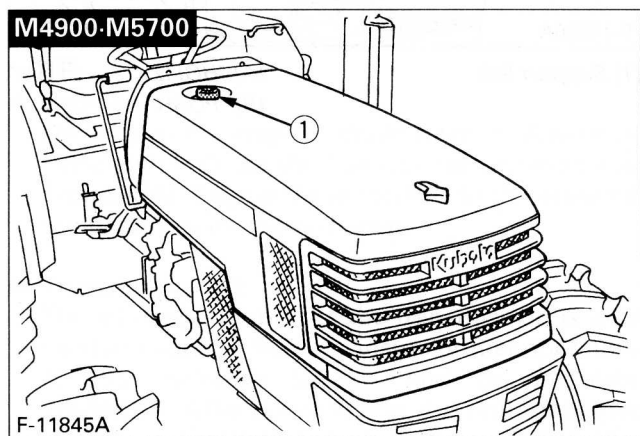
- Do not smoke while refueling.
- Be sure to stop the engine before refueling.

1. Check the amount of fuel by fuel gauge.
2. When the fuel warning indicator lights up, it is time to add fuel.

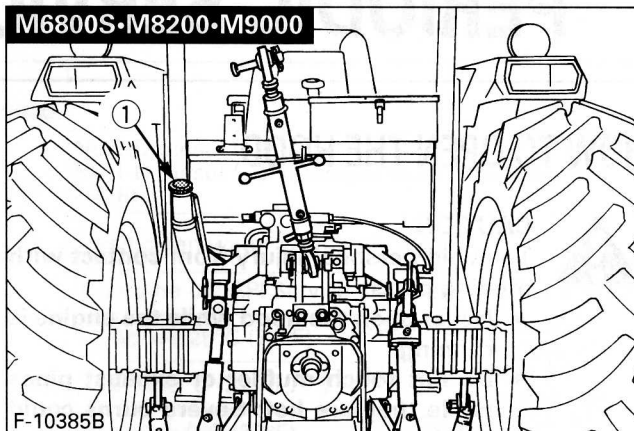
#### NOTE:

- Park the tractor at a flat ground in order to check this indicator.

3. Use grade No.2-Diesel fuel at temperatures above  $-10^{\circ}\text{C}$  ( $14^{\circ}\text{F}$ ).  
Use grade No.1-Diesel fuel at temperatures below  $-10^{\circ}\text{C}$  ( $14^{\circ}\text{F}$ ).



(1) Fuel tank cap



(1) Fuel tank cap

	Fuel tank capacity
M4900-M5700-M6800S	65 L (17.2 U.S.gals.)
M8200-M9000	90 L (23.8 U.S.gals.)

### IMPORTANT:

- Do not permit dirt or trash to get into the fuel system.
- Be careful not to let the fuel tank become empty, otherwise air will enter the fuel system, necessitating bleeding before next engine start.
- Be careful not to spill during refueling. If a spill should occur, wipe it off at once, or it may cause a fire.
- To prevent condensation (water) accumulation in the fuel tank, fill the tank before parking overnight.

### NOTE:

- No.2-D is a distillate fuel of lower volatility for engines in industrial and heavy mobile service.
- Grade of Diesel Fuel Oil According to ASTM D975 (SAE J313 JUN87)

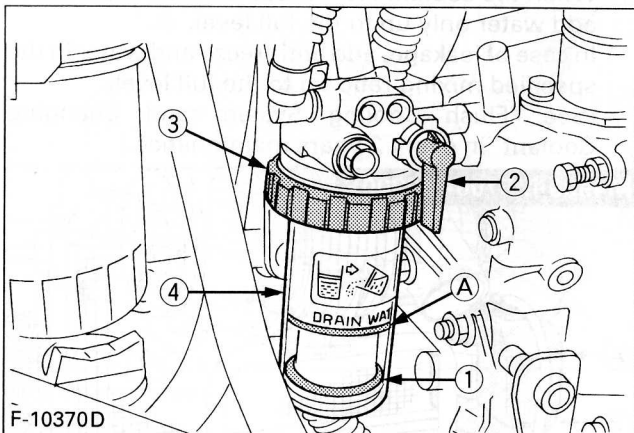
Flash Point $^{\circ}\text{C}$ ( $^{\circ}\text{F}$ )	Water and Sediment, volume %	Carbon Residue on, 10 percent Residuum, %	Ash, weight %
Min	Max	Max	Max
52 (125)	0.05	0.35	0.01

Distillation Temperatures, $^{\circ}\text{C}$ ( $^{\circ}\text{F}$ ) 90% Point		Viscosity Kinematic cSt or $\text{mm}^2/\text{s}$ at $40^{\circ}\text{C}$		Viscosity Saybolt, SUS at $100^{\circ}\text{F}$		Sulfur, weight %	Copper strip Corro- sion	Cetane Num- ber
Min	Max	Min	Max	Min	Max	Max	Max	Min
282 (540)	338 (640)	1.9	4.1	32.6	40.1	0.50	No.3	40

## ■ Checking Water Separator

**M6800S·M8200·M9000**

1. As water is collected in the water separator, the red float is raised.
2. When the red float has reached the white line, close the fuel cock, loosen the retainer ring, take out the cup, and clean the cup. Be careful not to break the element.
3. Place the cup back into position. Bleed the fuel system.  
(See "SERVICE AS REQUIRED" in periodic service section.)



- (1) Red float (A) "WHITE LINE"  
 (2) Fuel cock  
 (3) Retainer ring  
 (4) Cup

### IMPORTANT:

- If water is drawn through to the fuel pump, extensive damage will occur.

## ■ Checking Engine Oil Level

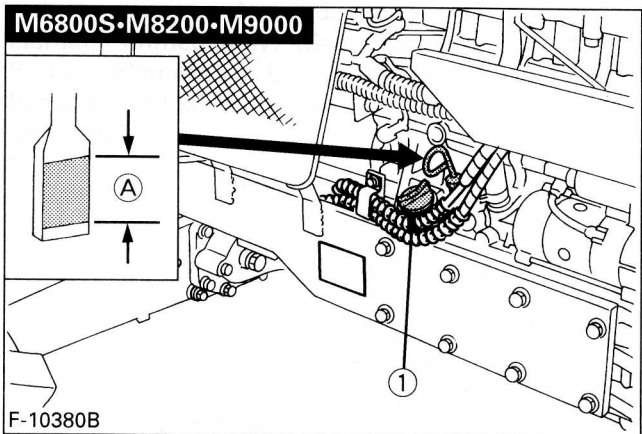
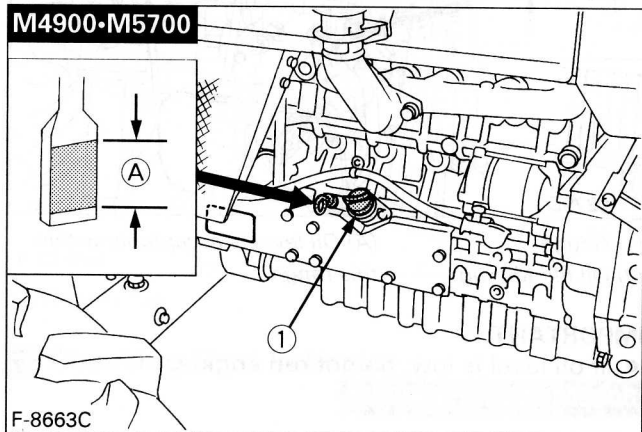


### CAUTION

To avoid personal injury:

- Be sure to stop the engine before checking the oil level.

1. Park the machine on a flat surface.
2. Check engine oil before starting the engine or 5 minutes or more after the engine has stopped.
3. To check the oil level, draw out the dipstick, wipe it clean, replace it, and draw it out again. Check to see that the oil level lies between the two notches. If the level is too low, add new oil to the prescribed level at the oil inlet.  
(See "LUBRICANTS" in Maintenance Section)



- (1) Oil inlet (A) Oil level is acceptable within this range.

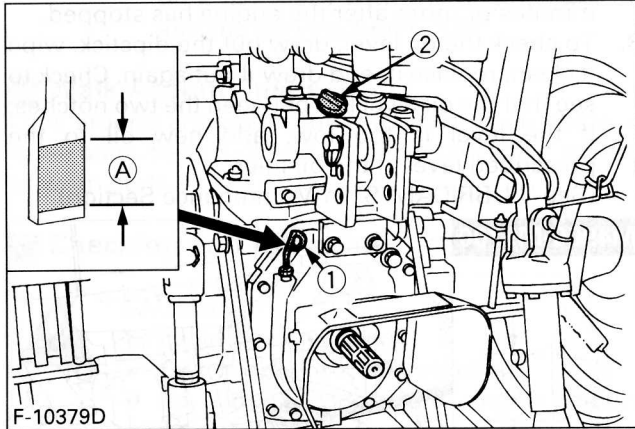
### IMPORTANT:

- When using an oil of different maker or viscosity from the previous one, remove all of the old oil. Never mix two different types of oil.
- If oil level is low, do not run engine.



### ■ Checking Transmission Fluid Level

1. Park the machine on a flat surface, lower the implement and shut off engine.
2. To check the oil level, draw out the dipstick, wipe it clean, replace it, and draw it out again. Check to see that the oil level lies between the two notches. If the level is too low, add new oil to the prescribed level at the oil inlet.  
(See "LUBRICANTS" in Maintenance Section)



- (1) Gauge (A) Oil level is acceptable within this range.  
(2) Oil filling plug

#### IMPORTANT:

- If oil level is low, do not run engine.

### ■ Checking Coolant Level

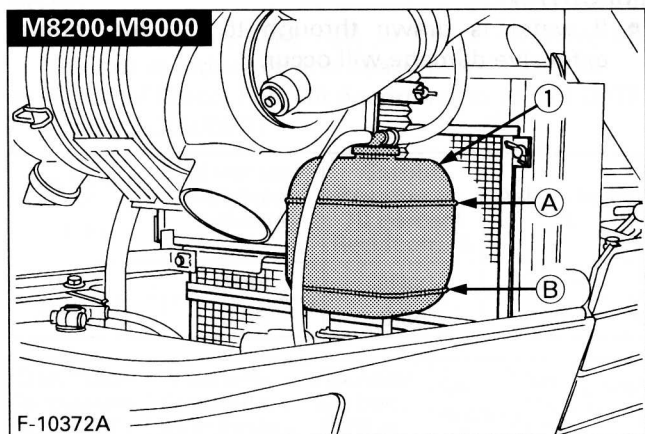
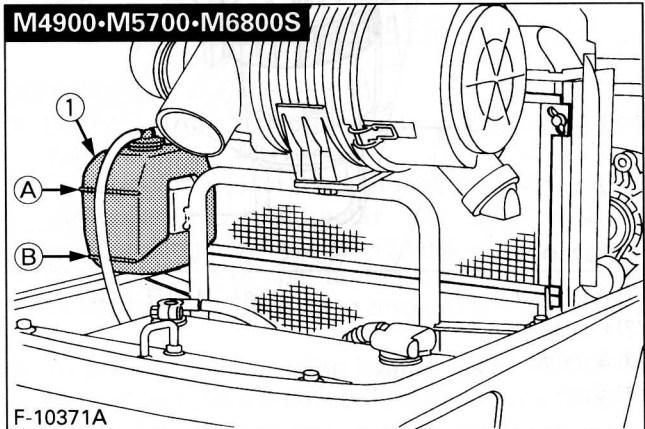


#### CAUTION

To avoid personal injury:

- Do not remove the radiator cap while coolant is hot. When cool, slowly rotate cap to the first stop and allow sufficient time for excess pressure to escape before removing cap completely.

1. Check to see that the coolant level is between the "FULL" and "LOW" marks of recovery tank.
2. When the coolant level drops due to evaporation, add water only up to the full level.  
In case of leakage, add anti-freeze and water in the specified mixing ratio up to the full level.  
(See "Flush Cooling System and Changing Coolant" in every 2 years maintenance.)



- (1) Recovery tank (A) "FULL"  
(B) "LOW"

#### IMPORTANT:

- If the radiator cap has to be removed, follow the caution above and securely retighten the cap.
- Use clean, fresh water and anti-freeze to fill the recovery tank.
- If water should leak, consult your local KUBOTA Dealer.

## ■ Cleaning Grill, Radiator Screen and Intercooler Screen

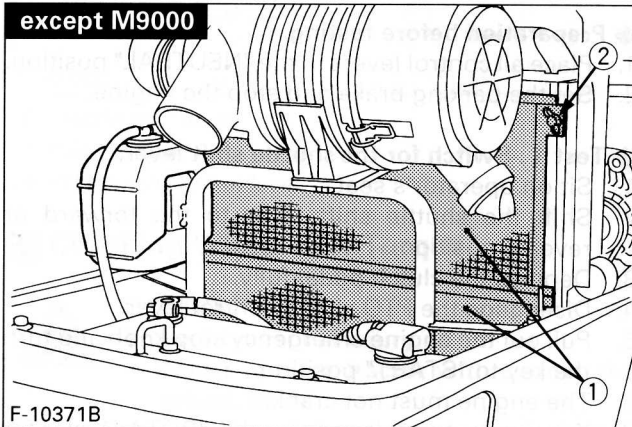


### CAUTION

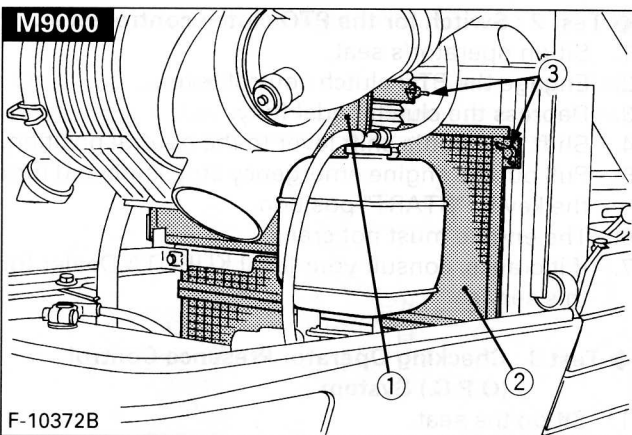
To avoid personal injury:

- Be sure to stop the engine before removing the screen.

1. Check front grill to be sure it is clean from debris.
2. Detach the screen and remove all foreign materials.



- (1) Radiator screen  
(2) Bolt



- (1) Intercooler screen  
(2) Radiator screen  
(3) Bolt

### IMPORTANT:

- Grill and screen must be clean from debris to prevent engine from overheating and to allow good air intake for the air cleaner.

## ■ Cleaning the Battery Mount

**M6800S·M8200·M9000**

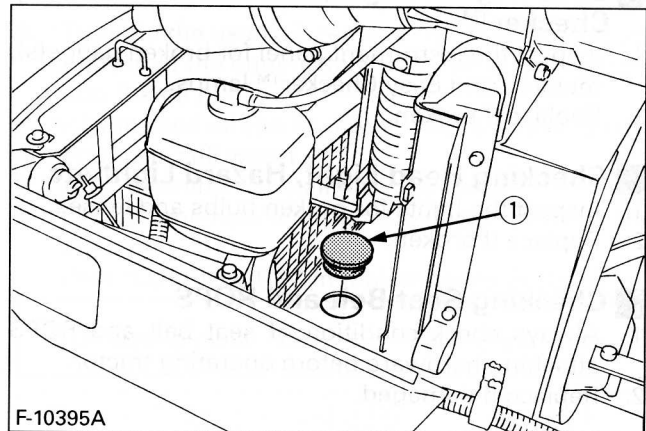


### CAUTION

To avoid personal injury:

- Be sure to stop the engine before removing the cap.

If dust or chaff has accumulated between the battery and radiator, remove the rubber cap and clean the front of radiator completely.

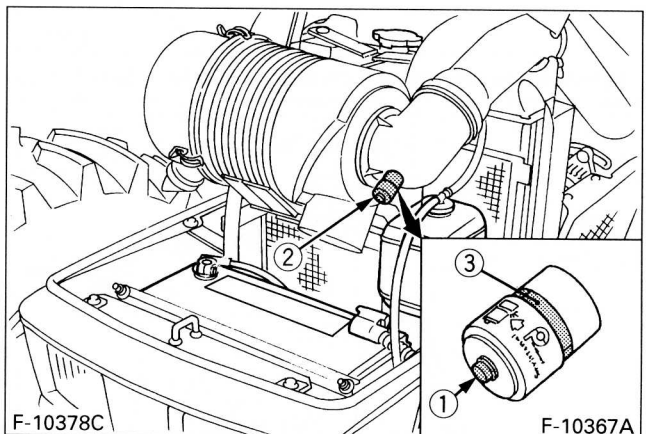


- (1) Rubber cap

## ■ Checking Dust Indicator

**M6800S·M8200·M9000**

There is a dust indicator on the air cleaner body. If the red signal on the dust indicator is visible, clean the element immediately. (See "Cleaning Air Cleaner Primary Element" in Every 100 hours maintenance.) Reset the red signal by pushing the "RESET" button after cleaning.



- (1) "RESET" button  
(2) Dust indicator  
(3) Red signal

### ■ Checking Brake Pedals and Clutch Pedal

1. Inspect the brake and clutch pedals for free travel, and smooth operation.
2. Adjust if incorrect measurement is found: (See "Adjusting Clutch and Brake Pedal" in every 100 hours maintenance.)

#### NOTE:

- Brake pedals should be equal when depressed.

### ■ Checking Gauges, Meter and Easy Checker™

1. Inspect the instrument panel for broken gauge(s), meter(s) and Easy Checker™ lamps.
2. Replace if broken.

### ■ Checking Head Light, Hazard Light etc.

1. Inspect the lights for broken bulbs and lenses.
2. Replace if broken.

### ■ Checking Seat Belt and ROPS

1. Always check condition of seat belt and ROPS attaching hardware before operating tractor.
2. Replace if damaged.

## EVERY 50 HOURS

### ■ Checking Engine Start System



#### CAUTION

To avoid personal injury:

- Do not allow anyone near the tractor while testing.
- If the tractor does not pass the test, do not operate the tractor.

#### ◆ Preparation before testing.

1. Place all control levers in the "NEUTRAL" position.
2. Set the parking brake and stop the engine.

#### ◆ Test 1 : Switch for the shuttle shift lever.

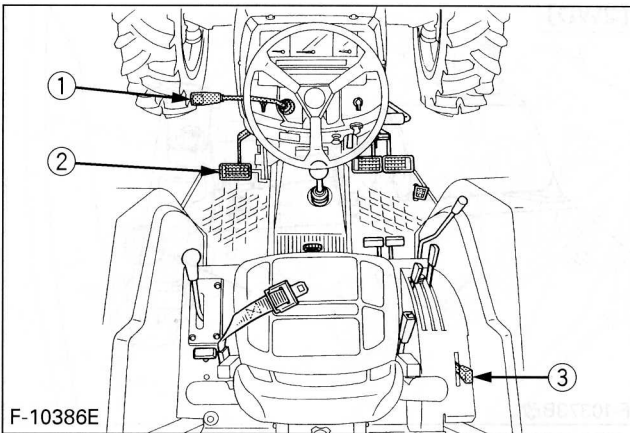
1. Sit on operator's seat.
2. Shift the shuttle shift lever to the forward or reverse position.
3. Depress the clutch pedal fully.
4. Disengage the PTO clutch control lever.
5. Pull out the engine emergency stop knob and turn the key to "START" position.
6. The engine must not crank.
7. If it cranks, consult your local KUBOTA Dealer for this service.

#### ◆ Test 2 : Switch for the PTO clutch control lever.

1. Sit on operator's seat.
2. Engage the PTO clutch control lever.
3. Depress the clutch pedal fully.
4. Shift the shuttle shift lever to the neutral position.
5. Pull out the engine emergency stop knob and turn the key to "START" position.
6. The engine must not crank.
7. If it cranks, consult your local KUBOTA Dealer for this service.

#### ◆ Test 3 : Checking Operator Presence Control (O.P.C.) System

1. Sit on the seat.
2. Turn the key to "ON" position.
3. Shift the PTO lever to "ON".  
Make sure the warning buzzer doesn't whistle. If the buzzer whistles while sitting on the seat, consult your local KUBOTA Dealer.
4. Stand up from the seat.
5. The warning buzzer whistles about one second after standing up. It whistles for 10 seconds.  
If the buzzer doesn't whistle, consult your local KUBOTA Dealer.



- (1) Shuttle shift lever
- (2) Clutch pedal
- (3) PTO clutch control lever

### Checking Wheel Bolt Torque

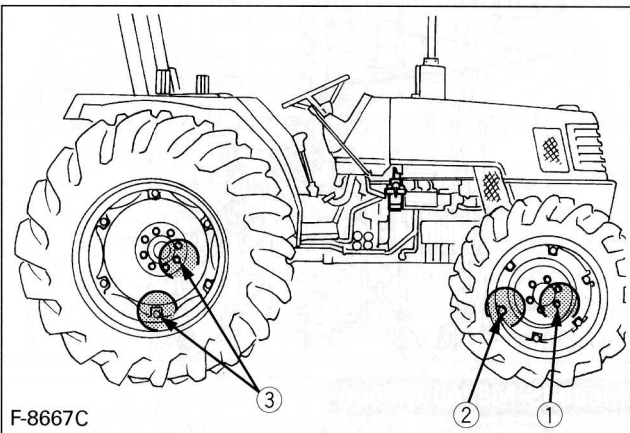


**CAUTION**

To avoid personal injury:

- Never operate tractor with a loose rim, wheel, or axle.
- Any time bolts and nuts are loosened, retighten to specified torque.
- Check all bolts and nuts frequently and keep them tight.

Check wheel bolts and nuts regularly especially when new. If they are loose, tighten them as follows.



N·m (kgf·m) [ft·lbs.]

		①	②	③
M4900 M5700	2WD	168 to 196 (17.1 to 20.0) [124 to 145]	—	260 to 304 (26.5 to 31) [192 to 224]
	4WD	168 to 196 (17.1 to 20.0) [124 to 145]		260 to 304 (26.5 to 31) [192 to 224]
M6800S M8200 M9000	2WD	168 to 196 (17.1 to 20.0) [124 to 145]	—	260 to 304 (26.5 to 31) [192 to 224]
	4WD		260 to 304 (26.5 to 31) [192 to 224]	

## EVERY 100 HOURS

### Changing Engine Oil M4900-M5700



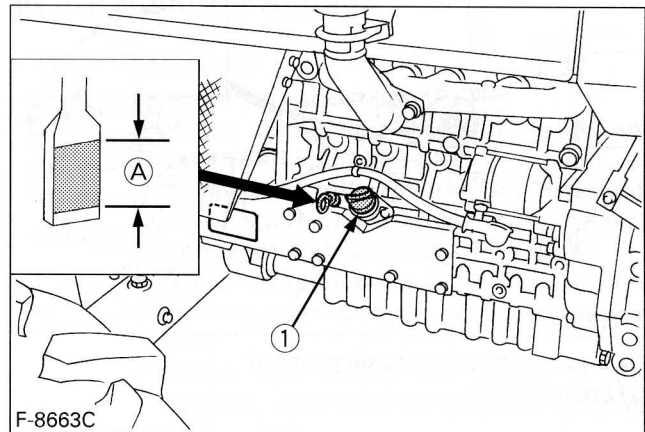
**CAUTION**

To avoid personal injury:

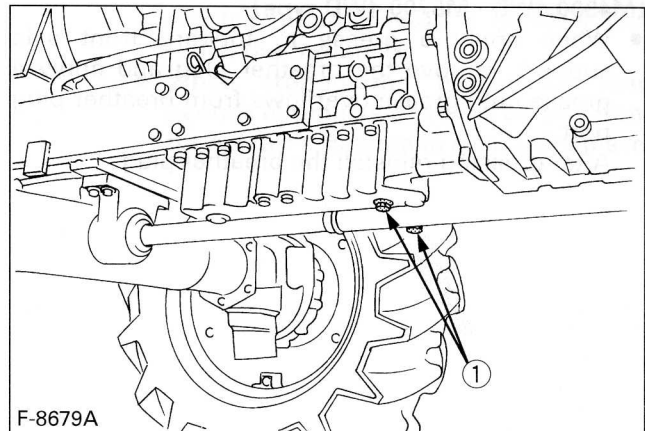
- Be sure to stop the engine before changing the oil.
- Allow engine to cool down sufficiently, oil can be hot and can burn.

1. To drain the used oil, remove the drain plug at the bottom of the engine and drain the oil completely into the oil pan. All the used oil can be drained out easily when the engine is still warm.
2. After draining reinstall the drain plug.
3. Fill with the new oil up to the upper notch on the dipstick.  
(See "LUBRICANTS" in Maintenance Section)

Oil capacity with filter	8.0 L (8.5 U.S.qts.)
--------------------------	----------------------



(1) Oil inlet (A) Oil level is acceptable within this range

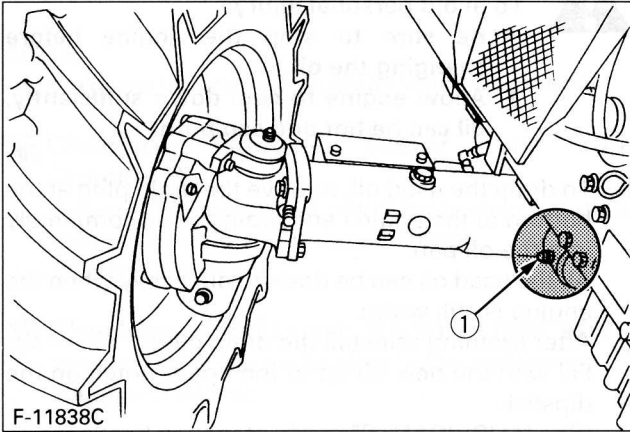


(1) Drain plug

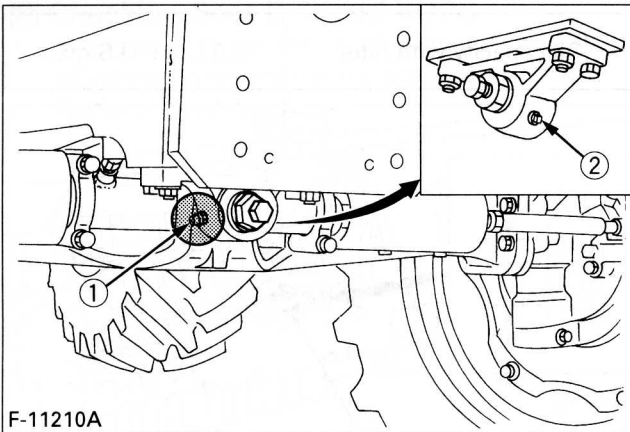
### ■ Lubricating Grease Fittings

Apply a small amount of multipurpose grease to the following points every 100 hours:

If you operated the machine in extremely wet and muddy conditions, lubricate grease fittings more often.



F-11838C



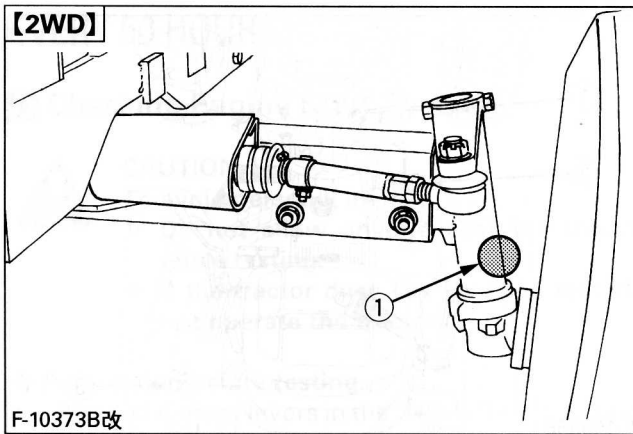
F-11210A

- (1) Grease fitting (Front axle support)
- (2) Breather plug

**NOTE:**

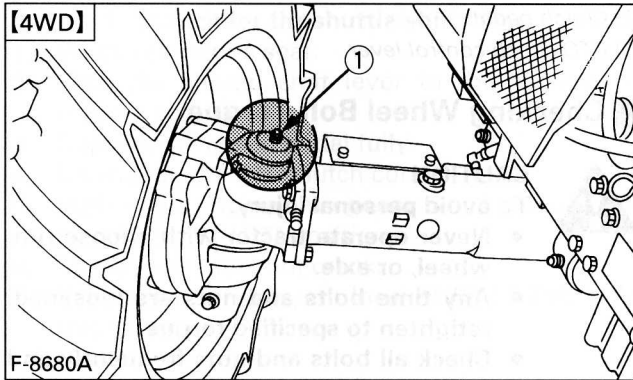
**[M4900 4WD · M5700 4WD type]**

- When apply a grease to forward front axle support, remove the breather plug and apply a grease until grease overflows from breather plug port.  
After greasing reinstall the breather plug.



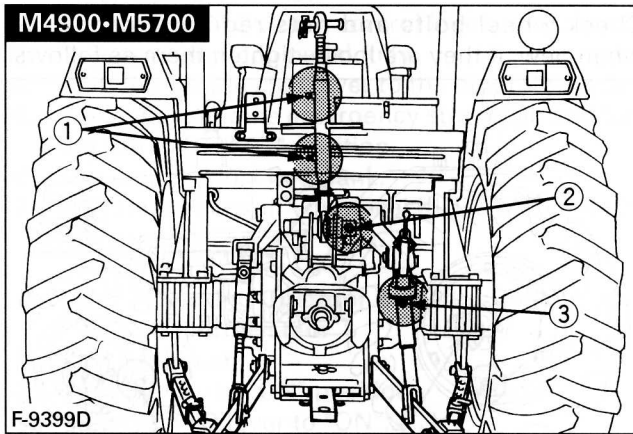
F-10373B改

- (1) Grease fitting (Knuckle shaft) [RH, LH]

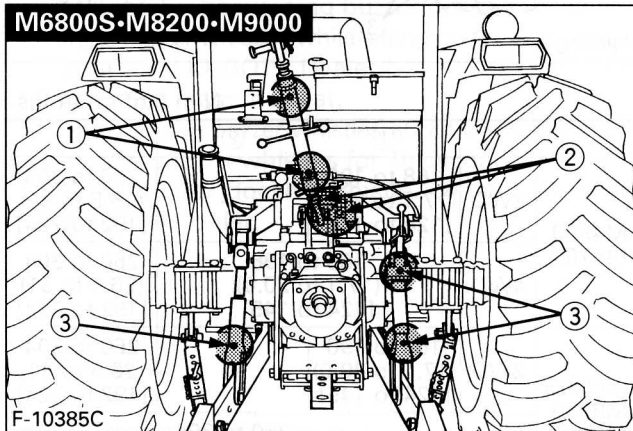


F-8680A

- (1) Grease fitting (Front wheel case support) [RH, LH]

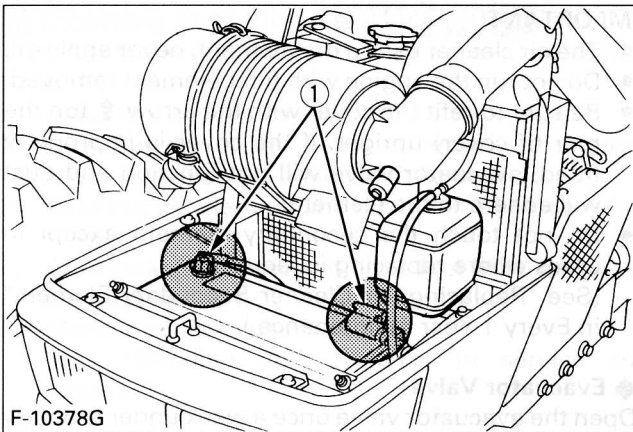


F-9399D



F-10385C

- (1) Grease fitting (Top link)
- (2) Grease fitting (Top link bracket)
- (3) Grease fitting (Lifting rod)



(1) Battery terminals

## ■ Checking Battery Condition



### DANGER

To avoid the possibility of battery explosion: For the refillable type battery, follow the instructions below.

- Do not use or charge the refillable type battery if the fluid level is below the LOWER (lower limit level) mark. Otherwise, the battery component parts may prematurely deteriorate, which may shorten the battery's service life or cause an explosion. Check the fluid level regularly and add distilled water as required so that the fluid level is between the UPPER and LOWER levels.

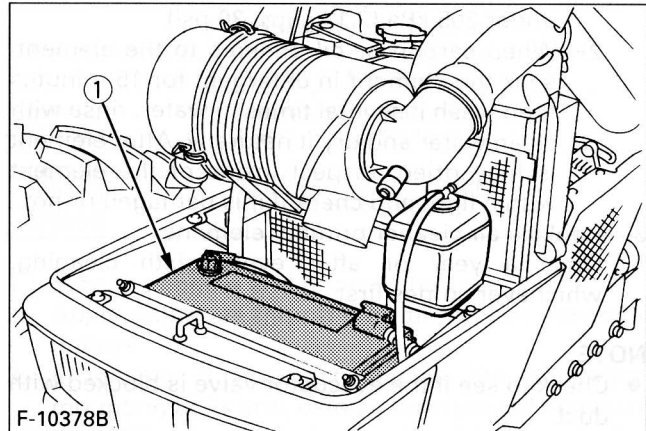


### CAUTION

To avoid personal injury:

- Never remove the battery cap while the engine is running. Keep electrolyte away from eyes, hands and clothes. If you are splattered with it, wash it away completely with water immediately and get medical attention.
- Keep open sparks and flames away from the battery at all times. Hydrogen gas mixed with oxygen becomes very explosive.
- Wear eye protection and rubber gloves when working around battery.

1. The original battery is maintenance free type battery. When the performance becomes low, consult with your local KUBOTA Dealer.
2. Clean the battery surface with a clean cloth. Keep the terminals clean and coated with petroleum jelly.



(1) Battery

## ■ Directions for Storage



### CAUTION

To avoid personal injury:

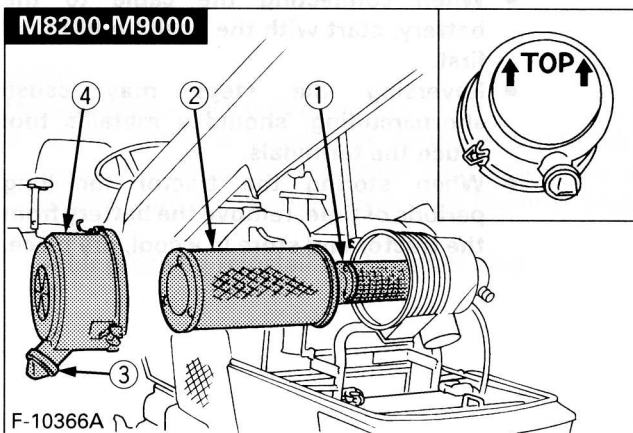
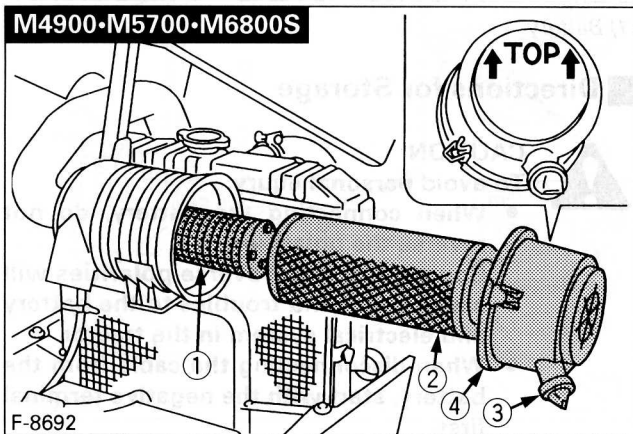
- When connecting the battery, do not reverse the polarities. Connection with reverse polarities will cause spark and troubles to the battery and electrical system in the tractor.
- When disconnecting the cable from the battery, start with the negative terminal first.
- When connecting the cable to the battery, start with the positive terminal first.
- Reversing the steps may cause shortcircuiting, should a metallic tool touch the terminals.
- When storing the tractor for long periods of time, remove the battery from the tractor and store in a cool, dry place.

### ■ Cleaning Air Cleaner Primary Element

1. Remove the air cleaner cover and primary element.
2. Clean the primary element :
  - 1) When dry dust adheres to the element, blow compressed air from the inside, turning the element. Pressure of compressed air must be under 205 kPa (2.1 kgf/cm<sup>2</sup>, 30 psi).
  - 2) When carbon or oil adheres to the element, soak the element in detergent for 15 minutes then wash it several times in water, rinse with clean water and dry it naturally. After element is fully dried, inspect inside of the element with a light and check if it is damaged or not.
3. Replace air cleaner primary element:  
Once a year or after every sixth cleaning, whichever comes first.

#### NOTE:

- Check to see if the evacuator valve is blocked with dust.



- (1) Secondary (safety) element
- (2) Primary element
- (3) Evacuator valve
- (4) Cover

#### IMPORTANT:

- The air cleaner uses a dry element, never apply oil.
- Do not run the engine with filter element removed.
- Be sure to refit the cover with the arrow ↑ (on the rear of cover) upright. If the cover is improperly fitted, evacuator valve will not function and dust will adhere to the element.
- Do not touch the secondary element except in cases where replacing is required.  
(See "Replacing Air Cleaner Secondary Element" in Every 1 Year maintenance.)

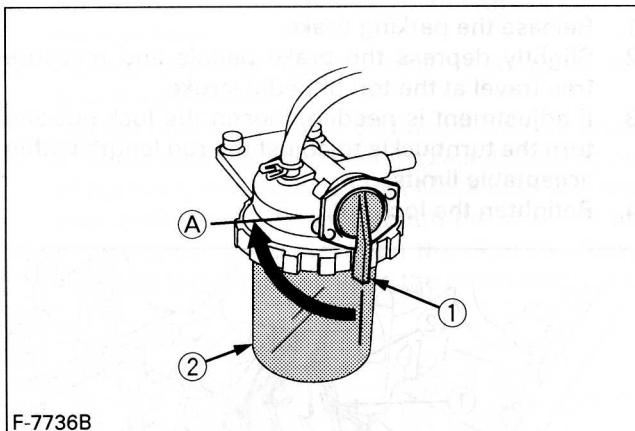
#### ◆ Evacuator Valve

Open the evacuator valve once a week under ordinary conditions - or daily when used in a dusty place - to get rid of large particles of dust and dirt.

### ■ Cleaning Fuel Filter M4900-M5700

This job should not be done in the field, but in a clean place.

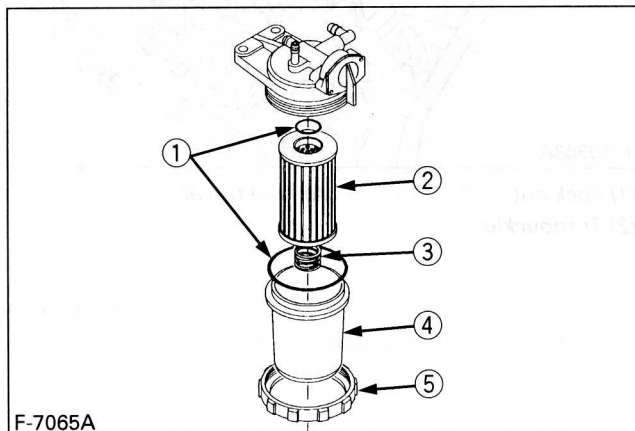
1. Close the fuel cock.
2. Unscrew the screw ring and remove the filter bowl, and rinse the inside with kerosene.
3. Take out the element and dip it in the kerosene to rinse.
4. After cleaning, reassemble the fuel filter, keeping out dust and dirt.
5. Bleed the fuel system.  
(See "Bleeding Fuel System" in service as required)



F-7736B

- (1) Fuel cock  
(2) Fuel filter bowl

(A) "CLOSE"



F-7065A

- (1) O ring  
(2) Filter element  
(3) Spring  
(4) Filter bowl  
(5) Screw ring

#### IMPORTANT:

- If dust and dirt enters the fuel system, the fuel pump and injection nozzles are subject to premature wear. To prevent this, be sure to clean the fuel filter bowl and element periodically.

### ■ Adjusting Fan Belt Tension



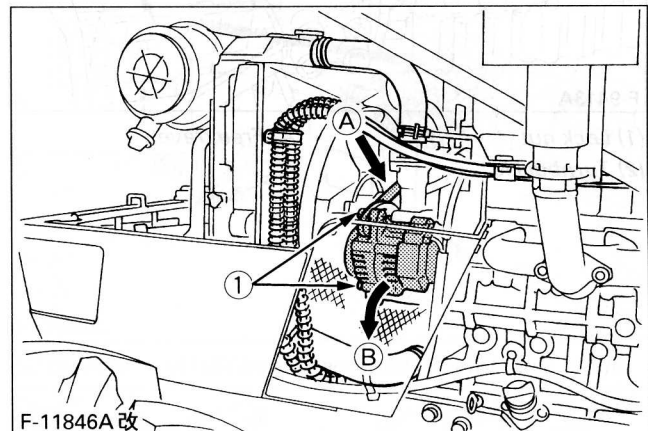
#### CAUTION

To avoid personal injury:

- Be sure to stop the engine before checking belt tension.

Tractor model	Proper fan belt tension (when the belt is pressed in the middle of the span.)
M4900 M5700	A deflection of between 7 to 9 mm (0.28 to 0.34 in.)
M6800S M8200 M9000	A deflection of between 10 to 12 mm (0.39 to 0.47 in.)

1. Stop the engine and remove the key.
2. Apply moderate thumb pressure to belt between pulleys.
3. If tension is incorrect, loosen the alternator mounting bolts and, using a lever placed between the alternator and the engine block, pull the alternator out until the deflection of the belt falls within acceptable limits.
4. Replace fan belt if it is damaged.



F-11846A 改

(1) Bolt

(A) Check the belt tension

(B) To tighten

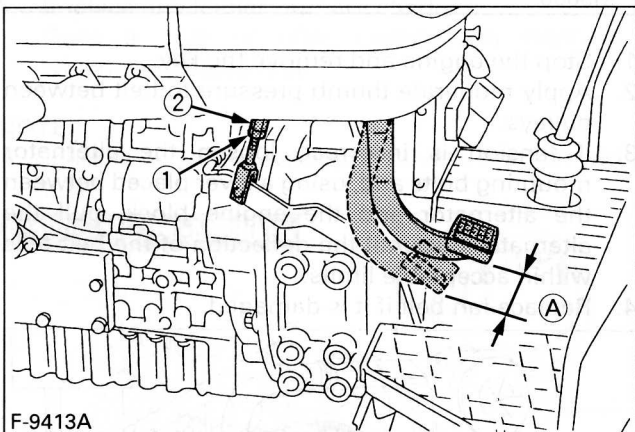


## Adjusting Clutch Pedal

Proper clutch pedal free travel	35 to 45 mm (1.4 to 1.8 in.) on the pedal
---------------------------------	---

### Adjusting procedure

1. Stop the engine and remove the key.
2. Slightly depress the clutch pedal and measure free travel at the top of pedal stroke.
3. If adjustment is needed, loosen the lock nut and turn the turnbuckle to adjust the rod length within acceptable limits.
4. Retighten the lock nut.



(1) Lock nut  
(2) Turnbuckle

(A) Free travel

## Adjusting Brake Pedal



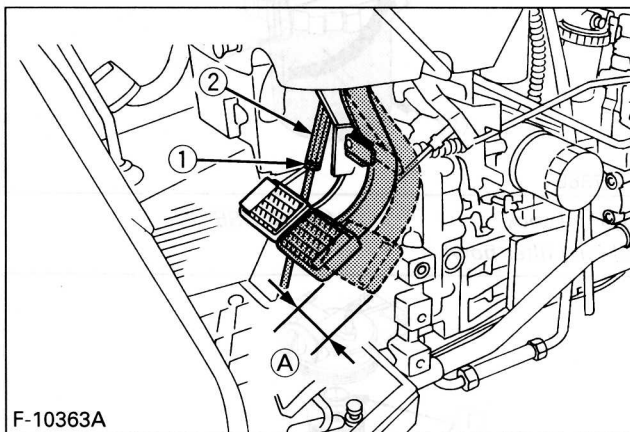
### CAUTION

To avoid personal injury:

- Stop the engine and chock the wheels before checking brake pedal.

Proper brake pedal free travel	40 to 45 mm (1.6 to 1.8 in.) on the pedal
	Keep the free travel in the right and left brake pedals equal.

1. Release the parking brake.
2. Slightly depress the brake pedals and measure free travel at the top of pedal stroke.
3. If adjustment is needed, loosen the lock nut and turn the turnbuckle to adjust the rod length within acceptable limits.
4. Retighten the lock nut.



(1) Lock nut  
(2) Turnbuckle

(A) Free travel

## EVERY 200 HOURS

### Replacing Engine Oil Filter M4900-M5700

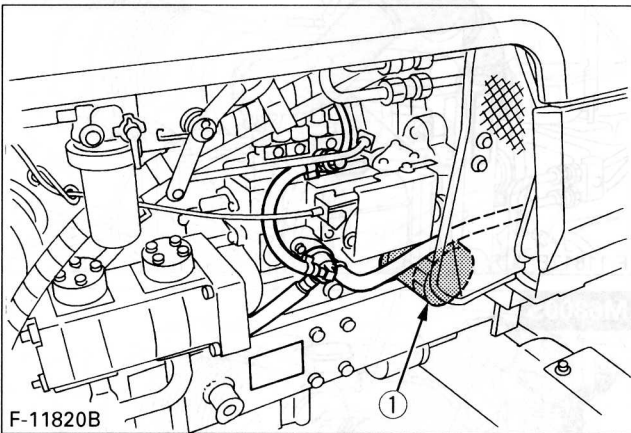


#### CAUTION

To avoid personal injury:

- Be sure to stop the engine before changing the oil filter cartridge.
- Allow engine to cool down sufficiently, oil can be hot and can burn.

1. Remove the oil filter.
2. Put a film of clean engine oil on the rubber seal of the new filter.
3. Tighten the filter quickly until it contacts the mounting surface.  
Tighten filter by hand an additional 1/2 turn only.
4. After the new filter has been replaced, the engine oil normally decreases a little. Make sure that the engine oil does not leak through the seal and be sure to check the oil level on the dipstick. Then, replenish the engine oil up to the prescribed level.



(1) Engine oil filter

#### IMPORTANT:

- To prevent serious damage to the engine, use only a KUBOTA genuine filter.

### Changing Engine Oil

M6800S·M8200·M9000



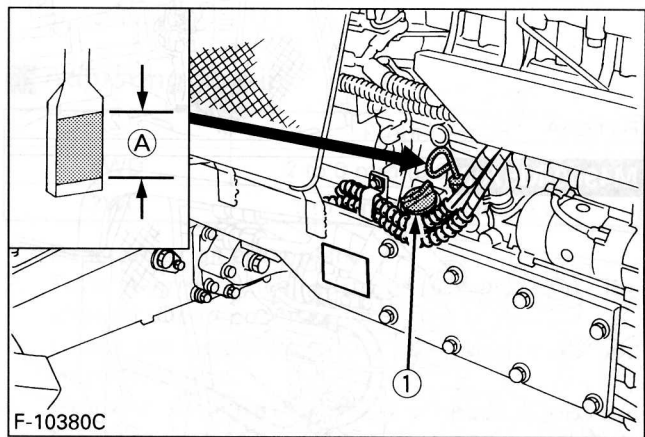
#### CAUTION

To avoid personal injury:

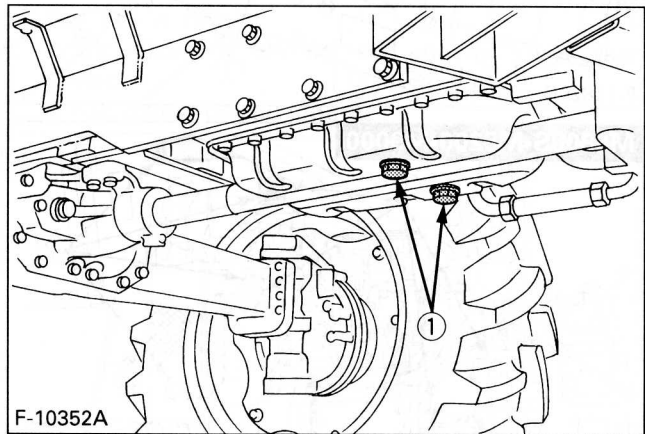
- Be sure to stop the engine before changing the oil.
- Allow engine to cool down sufficiently, oil can be hot and can burn.

1. To drain the used oil, remove the drain plug at the bottom of the engine and drain the oil completely into the oil pan.  
All the used oil can be drained out easily when the engine is still warm.
2. After draining reinstall the drain plug.
3. Fill with the new oil up to the upper notch on the dipstick.  
(See "LUBRICANTS" in Maintenance Section)

Oil capacity with filter	10.7 L (11.3 U.S.qts.)
--------------------------	------------------------



(1) Oil inlet (A) Oil level is acceptable within this range



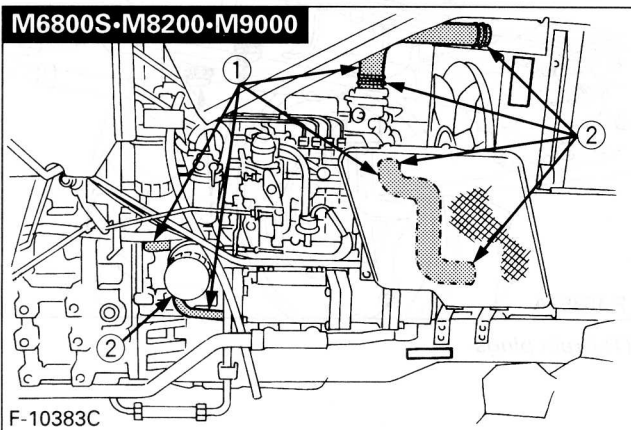
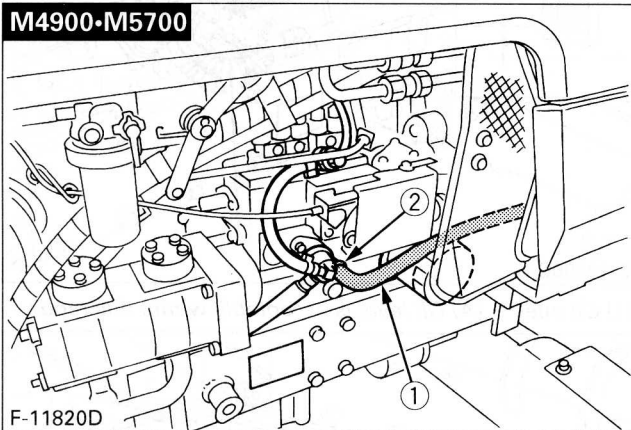
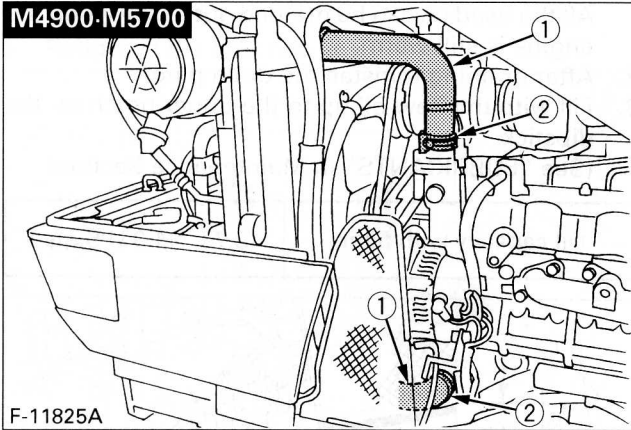
(1) Drain plugs

### ■ Checking Radiator Hose and Clamp

Check to see if radiator hoses are properly fixed every 200 hours of operation or six months, whichever comes first.

1. If hose clamps are loose or water leaks, tighten bands securely.
2. Replace hoses and tighten hose clamps securely, if radiator hoses are swollen, hardened or cracked.

Replace hoses and hose clamps every 2 years or earlier if checked and found that hoses are swollen, hardened or cracked.



- (1) Radiator hoses  
(2) Clamp bands

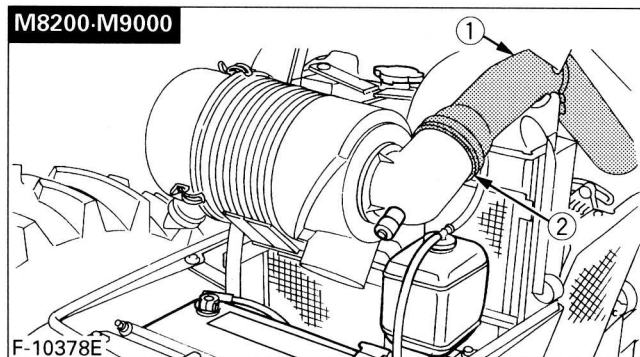
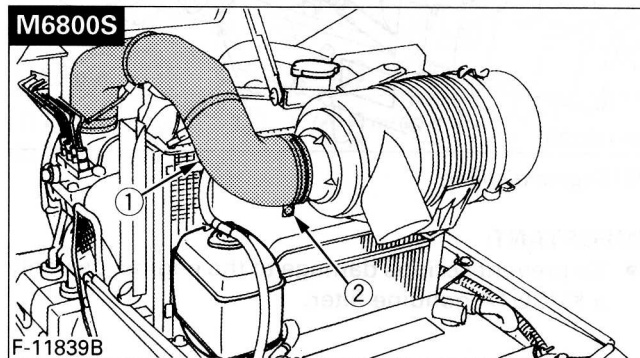
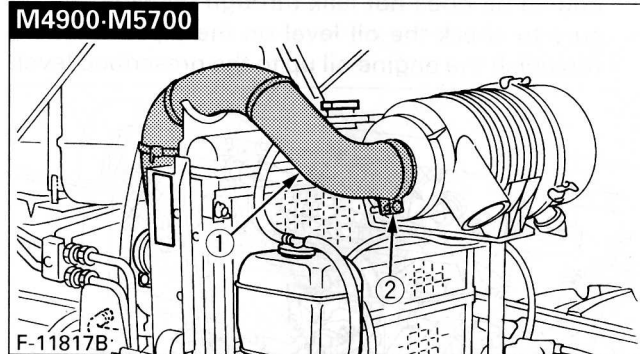
### ◆ Precaution at Overheating

Take the following actions in the event the coolant temperature be nearly or more than the boiling point, what is called "Overheating".

1. Stop the machine operation in a safe place and keep the engine unloaded idling.
2. Don't stop the engine suddenly, but stop it after about 5 minutes of unloaded idling.
3. Keep yourself well away from the machine for further 10 minutes or while the steam blown out.
4. Checking that there is no danger such as burn, get rid of the causes of overheating according to the manual, see "Troubleshooting" section, and then, start again the engine.

### ■ Checking Intake Air Line

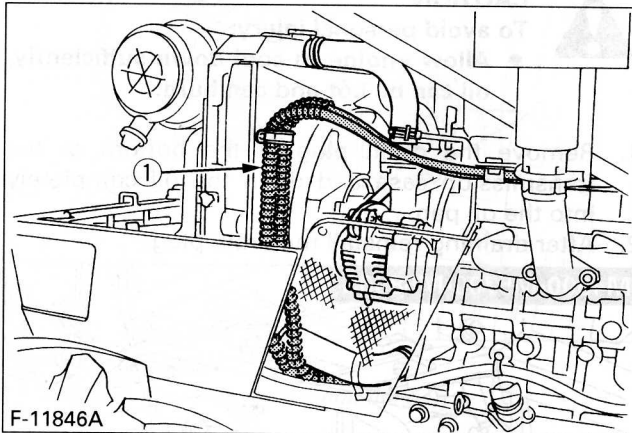
1. Check to see that hoses and hose clamps are tight and not damaged.
2. If hoses and clamps are found worn or damaged, replace or repair them at once.



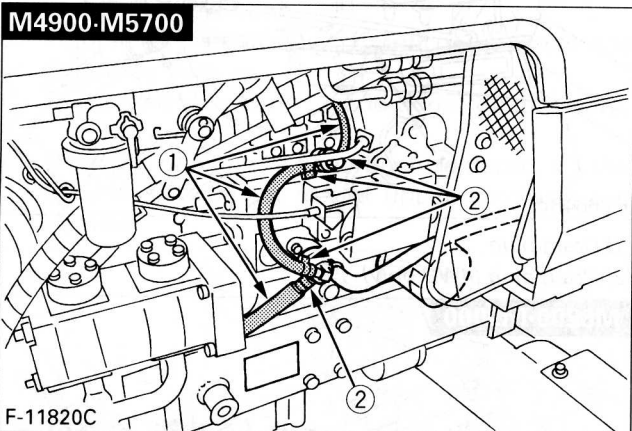
- (1) Hose  
(2) Hose clamp

**Checking Power Steering Line**  
**Checking Fuel Line**

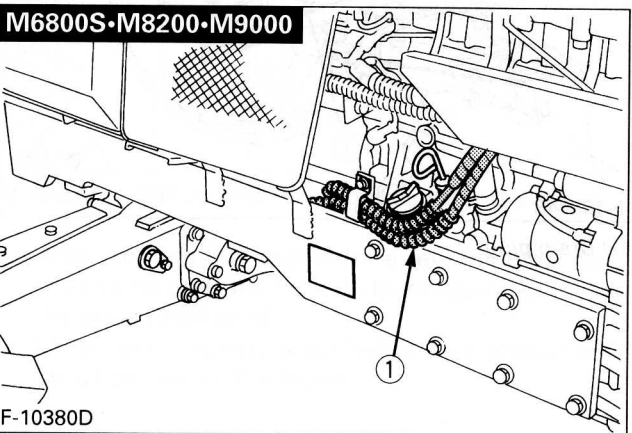
1. Check to see that all lines and hose clamps are tight and not damaged.
2. If hoses and clamps are found worn or damaged, replace or repair them at once.



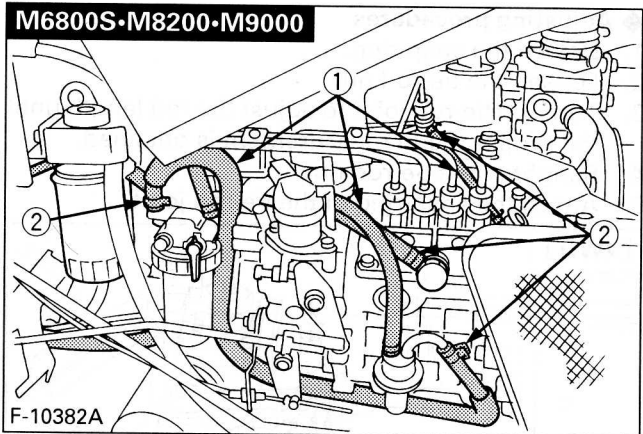
(1) Power steering pressure hoses



(1) Fuel lines  
 (2) Clamp bands



(1) Power steering pressure hoses



(1) Fuel lines  
 (2) Clamp bands

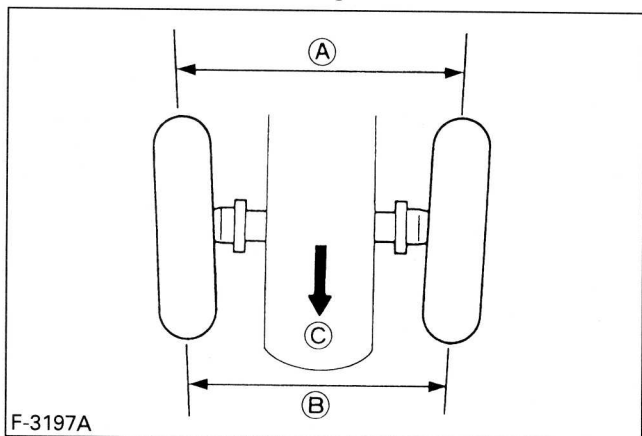
**NOTE:**

- If the fuel line is removed, be sure to properly bleed the fuel system. (See "Bleeding Fuel System" in as required maintenance)

**Adjusting Toe-in**

	Proper toe-in
4WD	2 to 8 mm (0.08 to 0.31 in.)
2WD	1 to 5 mm (0.04 to 0.2 in.)

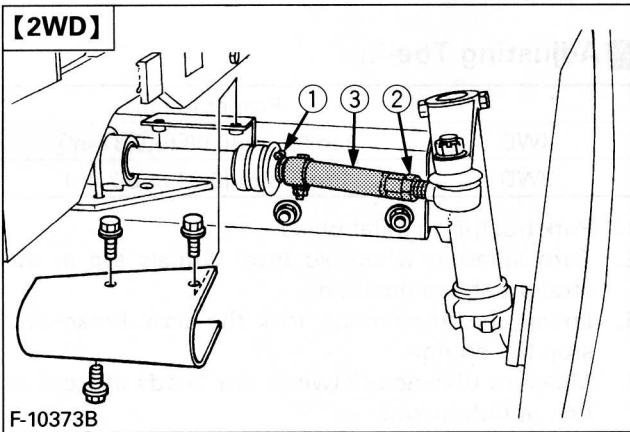
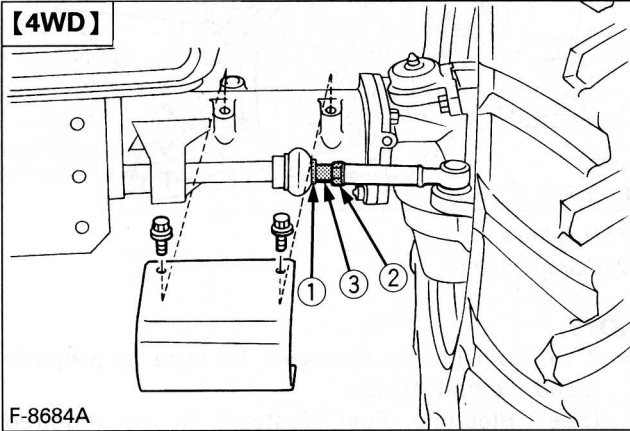
1. Park tractor on a flat place.
2. Turn steering wheel so front wheels are in the straight ahead position.
3. Lower the implement, lock the park brake and stop the engine.
4. Measure distance between tire beads at front of tire, at hub height.
5. Measure distance between tire beads at rear of tire, at hub height.
6. Front distance should be shorter than rear distance. If not, adjust tie rod length.



(A) Wheel - to - wheel distance at rear  
 (B) Wheel - to - wheel distance at front  
 (C) "FRONT"

◆ **Adjusting procedures**

1. Detach the snap ring.
2. Loosen the tie-rod nut.
3. Turn the tie-rod joint to adjust the rod length until the proper toe-in measurement is obtained.
4. Retighten the tie-rod nut.
5. Attach the snap ring of the tie-rod joint.



- (1) Snap ring  
 (2) Tie-rod nut  
 167 to 196 N·m (17 to 20 kgf·m)(123.3 to 144.6 ft·lbs)  
 (3) Tie-rod joint

**EVERY 300 HOURS**

■ **Replacing Hydraulic Oil Filter**

◆ **Cleaning Magnetic Filter**

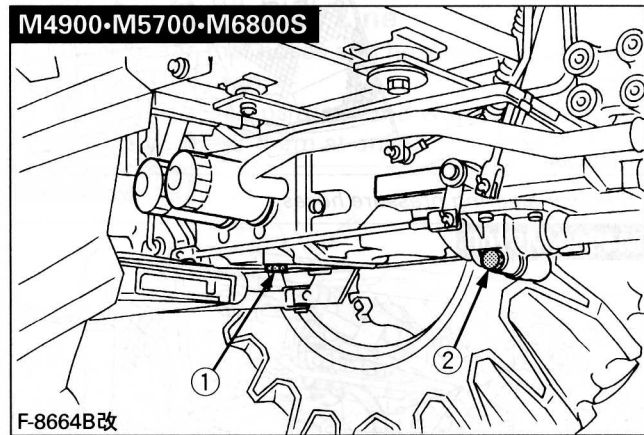


**CAUTION**

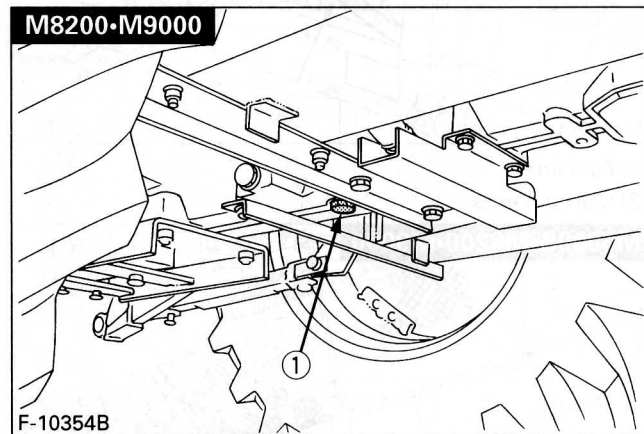
To avoid personal injury:

- Allow engine to cool down sufficiently, oil can be hot and can burn.

1. Remove the drain plug at the bottom of the transmission case and drain the oil completely into the oil pan.
2. After draining reinstall the drain plug.

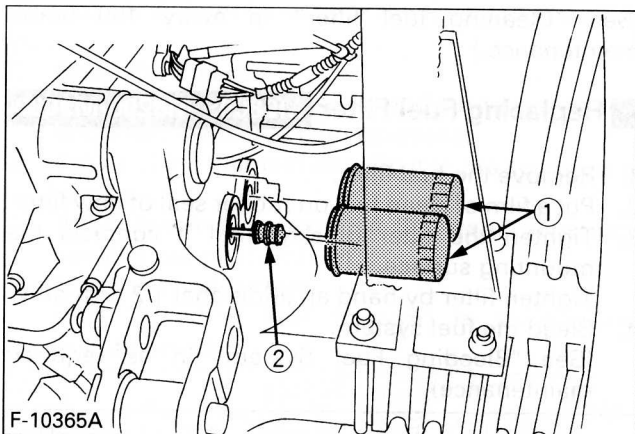


- (1) Drain plug  
 (2) Drain plug (4WD only)



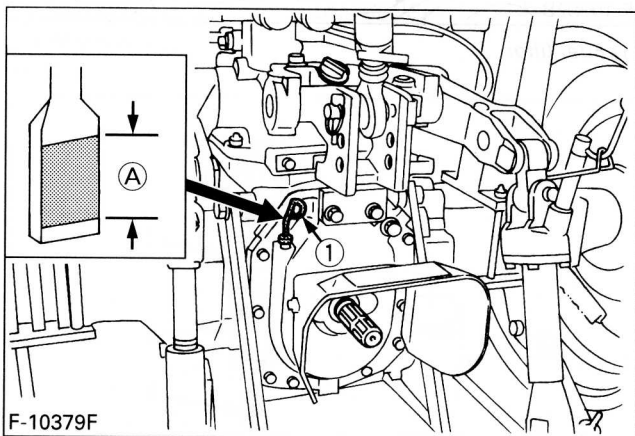
- (1) Drain plug

3. Remove the two oil filters.
4. Wipe off metal filings from the magnetic filter with a clean rag.



- (1) Hydraulic oil filter  
 (2) Magnetic filter (Wipe off metal filings)

5. Put a film of clean transmission oil on the rubber seal of the new filters.
6. Tighten the filter quickly until it contacts the mounting surface.  
Tighten filter by hand an additional 1/2 turn only.
7. After the new filters have been replaced, fill the transmission oil up to the upper notch on the dipstick.



- (1) Gauge (A) Oil level is acceptable within this range.

8. After running the engine for a few minutes, stop the engine and check the oil level again, add oil to the prescribed level.
9. Make sure that the transmission fluid doesn't leak pass the seal on the filters.

**IMPORTANT:**

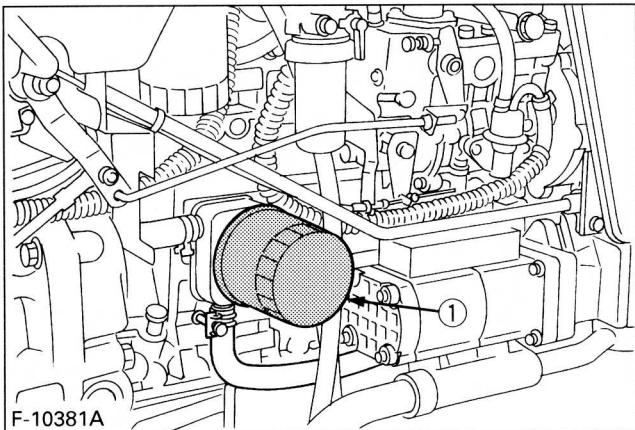
- To prevent serious damage to the hydraulic system, use only a KUBOTA genuine filter.

**EVERY 400 HOURS****Replacing Engine Oil Filter****M6800S·M8200·M9000****CAUTION**

To avoid personal injury:

- Be sure to stop the engine before changing the oil filter cartridge.
- Allow engine to cool down sufficiently, oil can be hot and can burn.

1. Remove the oil filter.
2. Put a film of clean engine oil on the rubber seal of the new filter.
3. Tighten the filter quickly until it contacts the mounting surface.  
Tighten filter by hand an additional 1/2 turn only.
4. After the new filter has been replaced, the engine oil normally decreases a little. Make sure that the engine oil does not leak through the seal and be sure to check the oil level on the dipstick. Then, replenish the engine oil up to the prescribed level.



F-10381A

(1) Engine oil filter

**IMPORTANT:**

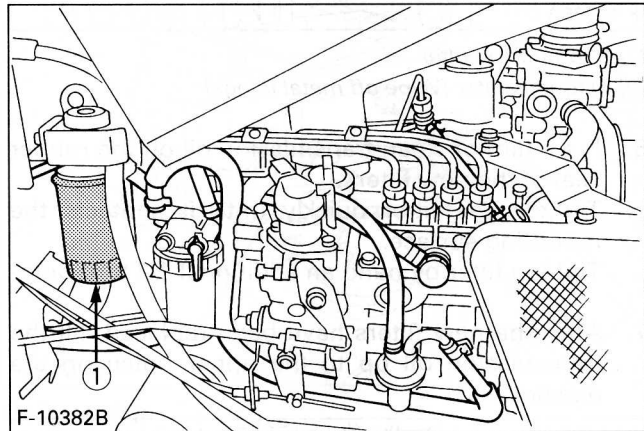
- To prevent serious damage to the engine, use only a KUBOTA genuine filter.

**Replacing Fuel Filter Element****M4900·M5700**

(See "Cleaning fuel filter" in every 100 hours maintenance.)

**Replacing Fuel Filter M6800S·M8200·M9000**

1. Remove the fuel filter.
2. Put a film of clean fuel on rubber seal of new filter.
3. Tighten the filter quickly until it contacts the mounting surface.  
Tighten filter by hand an additional 1/2 turn only.
4. Bleed the fuel system.  
(See "Bleeding Fuel System" in as required maintenance)



F-10382B

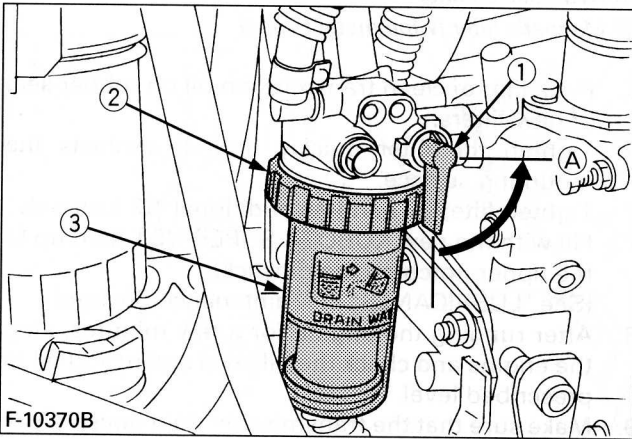
(1) Fuel filter

## ■ Cleaning Water Separator

**M6800S·M8200·M9000**

This job should not be done in the field, but in a clean place.

1. Close the fuel cock.
2. Unscrew the retainer ring and remove the cup, and rinse the inside with kerosene.
3. Take out the element and dip it in the kerosene to rinse.
4. After cleaning, reassemble the water separator, keeping out dust and dirt.
5. Bleed the fuel system.  
(See "Bleeding Fuel System" in as required maintenance)



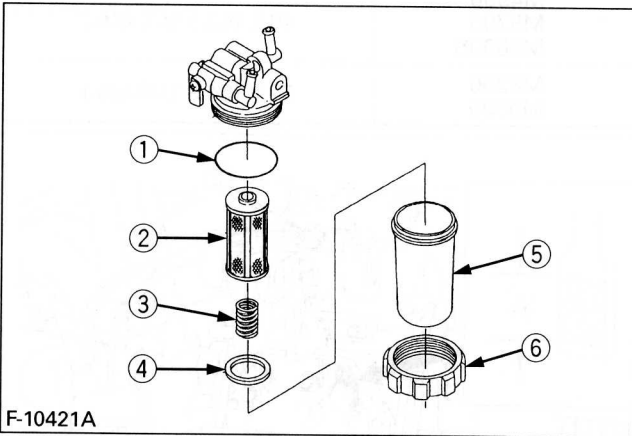
F-10370B

(1) Fuel cock

(A) "CLOSE"

(2) Retainer ring

(3) Cup



F-10421A

(1) O ring

(2) Element

(3) Spring

(4) Red float

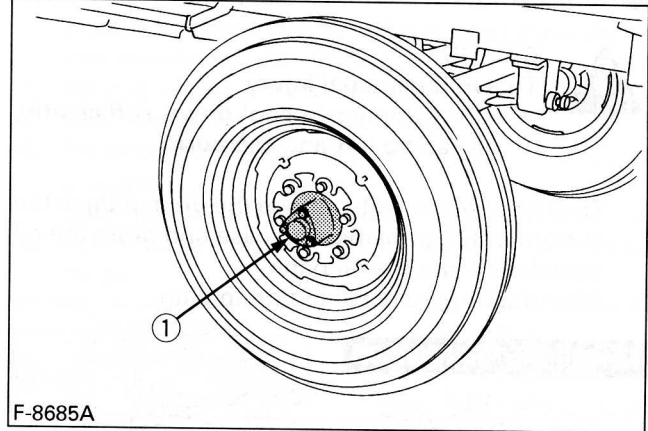
(5) Cup

(6) Retainer ring

## ■ Lubricating Grease Fitting

**[All 2WD Models]**

Detach the cover, and apply bearing grease.



F-8685A

(1) Front wheel hub cover



## EVERY 600 HOURS

### Changing Transmission Fluid

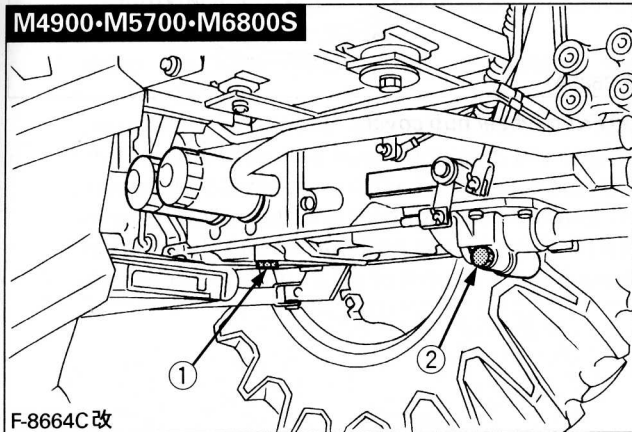


**CAUTION**

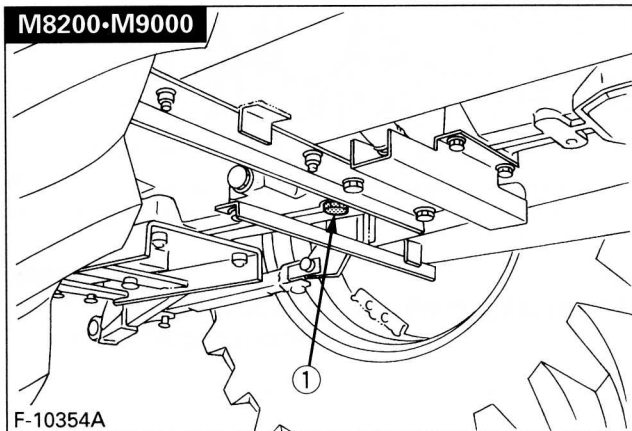
To avoid personal injury:

- Allow engine to cool down sufficiently, oil can be hot and can burn.

1. To drain the used oil, remove the drain plug at the bottom of the transmission case and drain the oil completely into the oil pan.
2. After draining reinstall the drain plug.

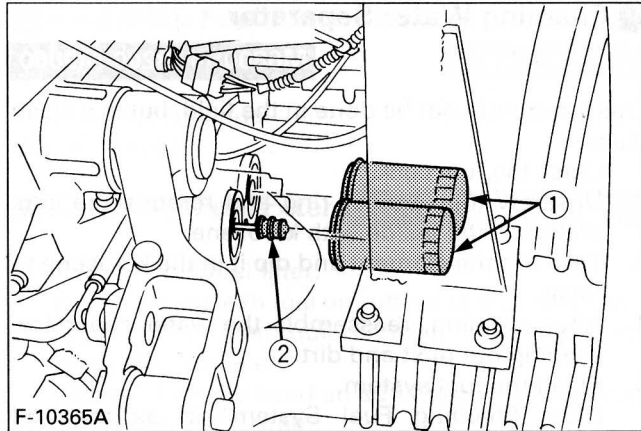


- (1) Drain plug  
(2) Drain plug (4WD only)



- (1) Drain plug

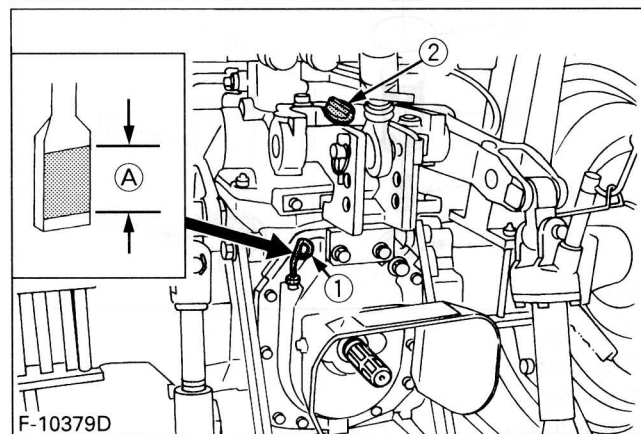
3. Remove the two oil filters.
4. Wipe off metal filings from the magnetic filter with a clean rag.



- (1) Hydraulic oil filter  
(2) Magnetic filter (wipe metal filings)

5. Put a film of clean transmission oil on rubber seal of new filters.
6. Tighten the filter quickly until it contacts the mounting surface. Tighten filter by hand an additional 1/2 turn only.
7. Fill with the new KUBOTA SUPER UDT fluid up to the upper notch on the dipstick. (See "LUBRICANTS" in Maintenance Section)
8. After running the engine for a few minutes, stop the engine and check the oil level again; add oil to prescribed level.
9. Make sure that the transmission fluid doesn't leak past the seal on the filters.

Tractor model	Oil capacity
M4900 M5700 M6800S	40 L (42.3 U.S.qts.)
M8200 M9000	52 L (54.9 U.S.qts.)



- (1) Gauge (A) Oil level is acceptable within this range  
(2) Oil inlet

**IMPORTANT:**

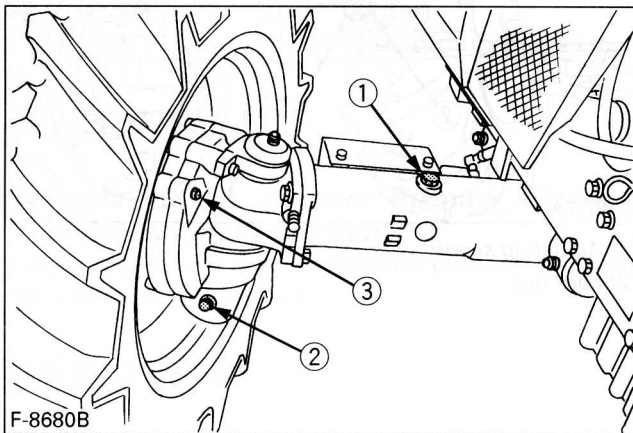
- Do not operate the tractor immediately after changing the transmission fluid. Run the engine at medium speed for a few minutes to prevent damage to the transmission.

## Changing Front Axle Case Oil

**M4900-M5700**

1. To drain the used oil, remove the right and left drain plugs and filling plug at the front axle case and drain the oil completely into the oil pan.
2. After draining reinstall the drain plugs.
3. Remove the right and left breather plugs.
4. Fill with the new oil.
5. After filling reinstall the filling plug and breather plugs.

Oil capacity	8.0 L (8.5 U.S.qts.)
--------------	----------------------



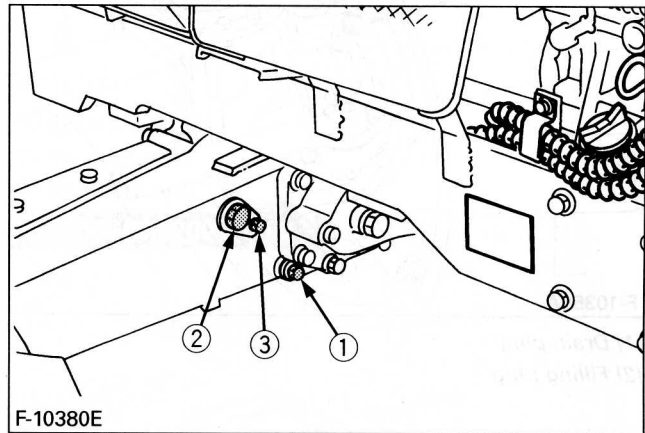
- (1) Filling plug
- (2) Drain plug
- (3) Breather plug

## Changing Front Differential Case Oil

**M6800S-M8200-M9000**

1. To drain the used oil, remove the drain and filling plug at the front differential case and drain the oil completely into the oil pan.
2. After draining reinstall the drain plug.
3. Remove the oil level check plug.
4. Fill with the new oil up to the lower rim of check plug port.
5. After filling reinstall the filling plug and check plugs.

Tractor model	Oil capacity
M6800S-M8200	5.0 L (5.3 U.S.qts.)
M9000	6.0 L (6.3 U.S.qts.)



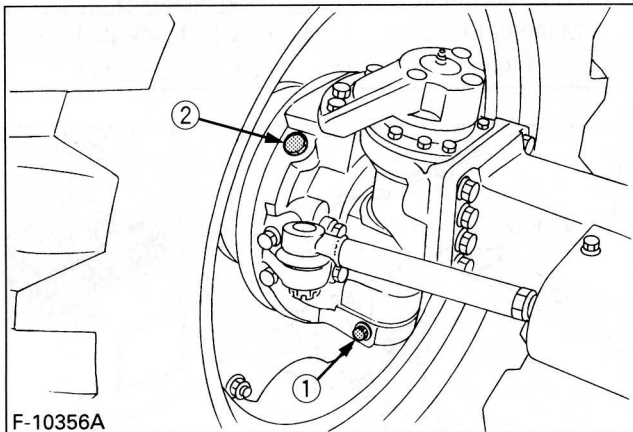
- (1) Drain plug
- (2) Filling plug
- (3) Check plug

## Changing Front Axle Gear Case Oil

**M6800S·M8200·M9000**

1. To drain the used oil, remove the right and left drain plugs and filling plugs at the front axle gear case and drain the oil completely into the oil pan.
2. After draining reinstall the drain plugs.
3. Fill with the new oil up to the filling plug port.  
(See "LUBRICANTS" in Maintenance Section)
4. After filling reinstall the filling plugs.

Oil capacity	3.5 L (3.7 U.S.qts.) for each side
--------------	------------------------------------



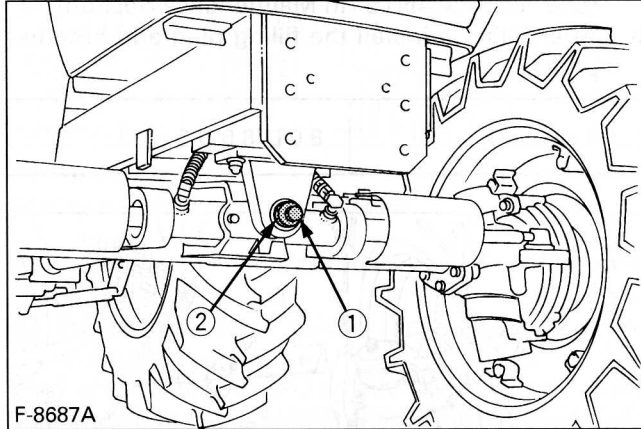
- (1) Drain plug  
(2) Filling plug

## Adjusting Front Axle Pivot

If the front axle pivot pin adjustment is not correct, front wheel vibration can occur causing vibration in the steering wheel.

### ◆ Adjusting procedure

Loosen the lock nut, tighten the adjusting screw all the way, and then loosen the screw by 1/6 turn. Retighten the lock nut.



- (1) Adjusting screw  
(2) Lock nut

## EVERY 800 HOURS

### ■ Adjusting Engine Valve Clearance

Consult your local KUBOTA Dealer for this service.

## EVERY 1500 HOURS

### ■ Checking Fuel Injection Nozzle (Injection Pressure)

Consult your local KUBOTA Dealer for this service.

## EVERY 3000 HOURS

### ■ Checking Injection Pump

Consult your local KUBOTA Dealer for this service.

## EVERY 1 YEAR

### ■ Replacing Air Cleaner Primary Element and Secondary Element

(See "Cleaning Air Cleaner Primary Element" in every 100 hours maintenance.)

## EVERY 2 YEARS

### ■ Flushing Cooling System and Changing Coolant



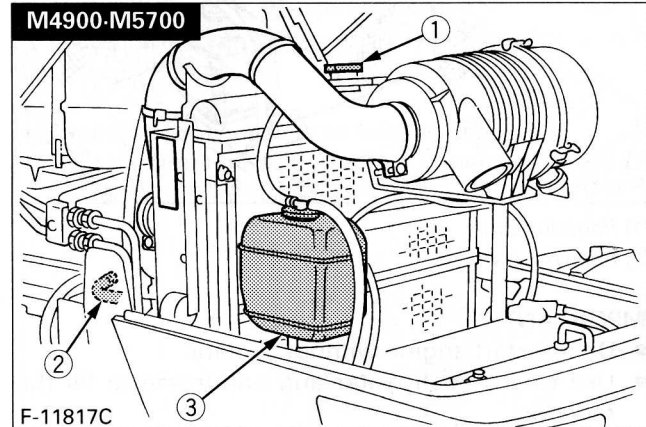
#### CAUTION

To avoid personal injury:

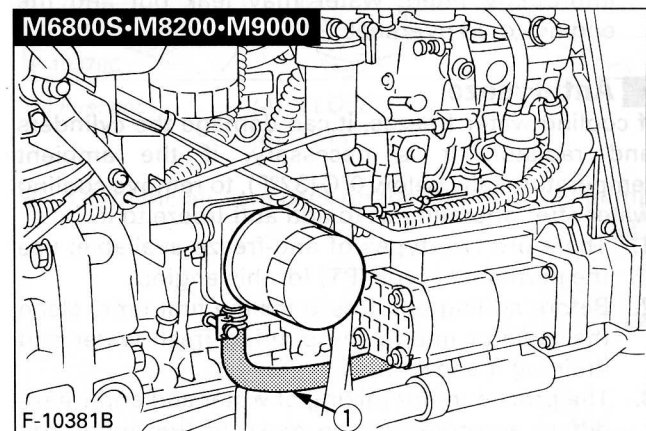
- Do not remove the radiator cap while coolant is hot. When cool, slowly rotate cap to the first stop and allow sufficient time for excess pressure to escape before removing cap completely.

1. Stop the engine and let cool down.
2. To drain the coolant, remove the radiator hose and radiator cap. The radiator cap must be removed to completely drain the coolant.
3. After all coolant is drained, install the hose securely.
4. Fill with clean water and cooling system cleaner.
5. Follow directions of the cleaner instruction.
6. After flushing, fill with clean water and anti-freeze until the coolant level is just below the radiator cap.
7. Fill with clean water and anti-freeze up to the upper line of recovery tank.
8. Install the radiator cap securely.
9. Start and operate the engine for a few minutes.
10. Stop the engine. Check coolant level and add coolant if necessary.

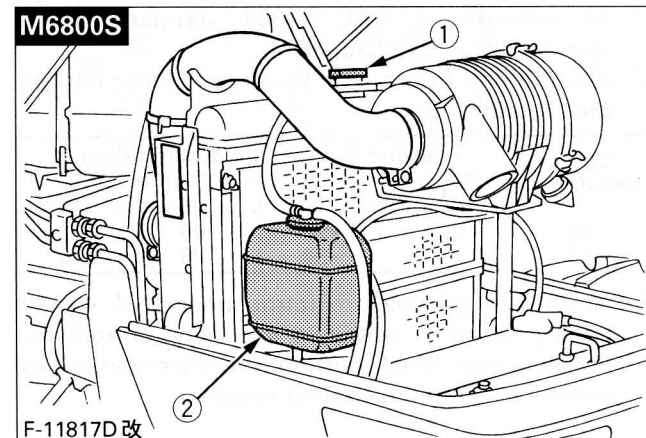
Tractor model	Coolant capacity
M4900	7.3 L (7.7 U.S.qts.)
M5700	7.3 L (7.7 U.S.qts.)
M6800S	8.5 L (9.0 U.S.qts.)
M8200 M9000	9.0 L (9.5 U.S.qts.)



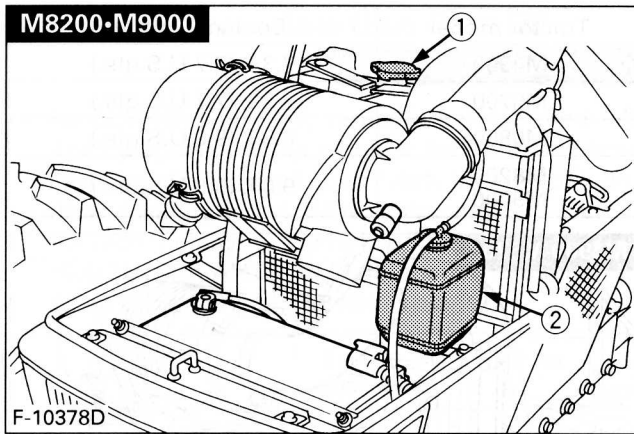
- (1) Radiator cap
- (2) Radiator hose
- (3) Recovery tank



- (1) Radiator hose



- (1) Radiator cap
- (2) Recovery tank



- (1) Radiator cap  
(2) Recovery tank

**IMPORTANT:**

- Do not start engine without coolant.
- Use clean, fresh water and anti-freeze to fill the radiator.
- When the anti-freeze is mixed with water, the anti-freeze mixing ratio must be less than 50%.
- Securely tighten radiator cap. If the cap is loose or improperly fitted, water may leak out and the engine could overheat.

**Anti-Freeze**

If cooling water freezes, it can damage the cylinders and radiator. It is necessary, if the ambient temperature falls below 0°C (32°F), to remove cooling water after operating or to add anti-freeze to it.

1. There are two types of anti-freeze available; use the permanent type (PT) for this engine.
2. Before adding anti-freeze for the first time, clean the radiator interior by pouring fresh water and draining it a few times.
3. The procedure for mixing of water and anti-freeze differs according to the make of the anti-freeze and the ambient temperature, basically it should be referred to SAE J1034 standard, more specifically also to SAE J814c.
4. Mix the anti-freeze with water, and then fill into the radiator.

Vol % Anti-freeze	Freezing Point		Boiling Point*	
	°C	°F	°C	°F
40	-24	-12	106	222
50	-37	-34	108	226

\* At 760mmHg pressure (atmospheric). A higher boiling point is obtained by using a radiator pressure cap which permits the development of pressure within the cooling system.

**NOTE:**

- The above data represents industry standards that necessitate a minimum glycol content in the concentrated anti-freeze.
- When the cooling water level drops due to evaporation, add water only. In case of leakage, add anti-freeze and water in the specified mixing ratio.
- Anti-freeze absorbs moisture. Keep unused anti-freeze in a tightly sealed container.
- Do not use radiator cleaning agents when anti-freeze has been added to the cooling water. (Anti-freeze contains an anti-corrosive agent, which will react with the radiator cleaning agent forming sludge which will affect the engine parts.)

**Replacing Radiator Hose (Water pipes)**

Replace the hoses and clamps.

(See "Checking Radiator Hose and Clamp" in every 200 hours maintenance.)

**Replacing Power Steering Hose**

Replace the hoses and clamps, if necessary.

(See "Checking Power Steering Line" in every 200 hours maintenance.)

**Replacing Fuel Hose**

Replace the hoses and clamps, if necessary.

(See "Checking Fuel Line" in every 200 hours maintenance.)

**Replacing Intake Air Line**

Consult your local KUBOTA Dealer for this service.

## SERVICE AS REQUIRED

### ■ Bleeding Fuel System

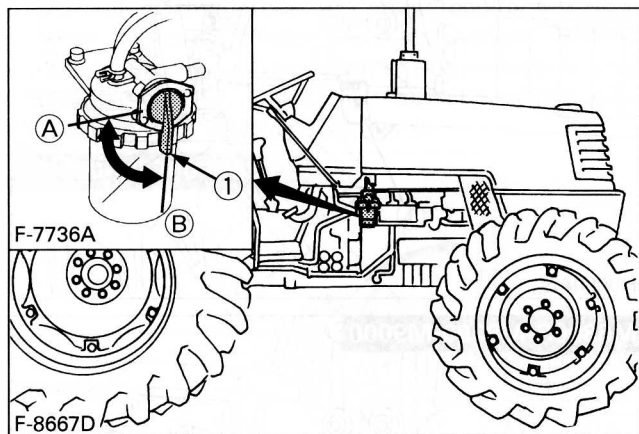
**M4900·M5700**

Air must be removed:

1. When the fuel filter or lines are removed.
2. When tank is completely empty.
3. After the tractor has not been used for a long period of time.

#### ◆ Bleeding procedure is as follows:

1. Fill the fuel tank with fuel, and open the fuel cock.



- (1) Fuel cock      (A) "CLOSE"  
 (B) "OPEN"

2. Start the engine and run for about 30 seconds, and then stop the engine.

### ■ Bleeding Fuel System

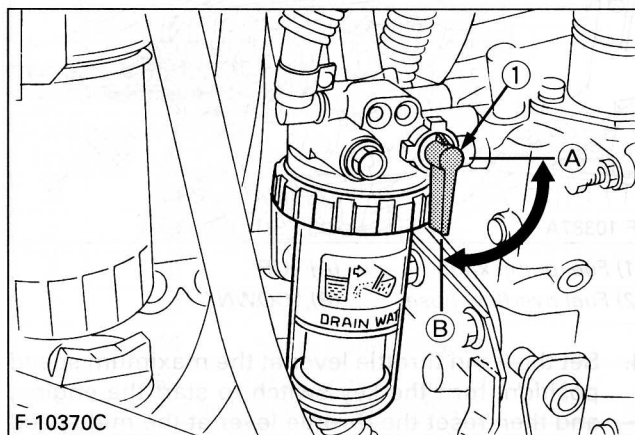
**M6800S·M8200·M9000**

Air must be removed:

1. When the fuel filter or lines are removed.
2. When water is drained from water separator.
3. When tank is completely empty.
4. After the tractor has not been used for a long period of time.

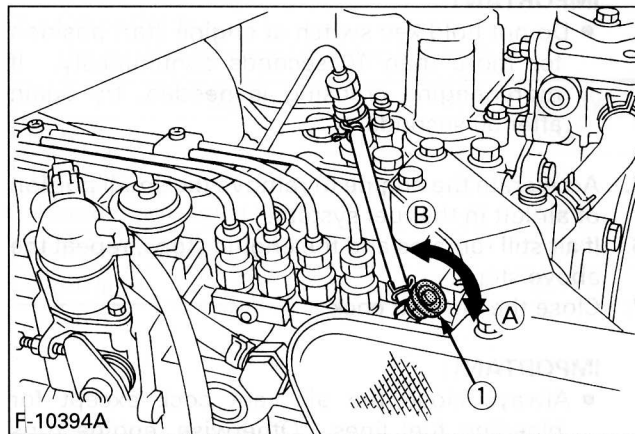
#### ◆ Bleeding procedure is as follows:

1. Fill the fuel tank with fuel, and open the fuel cock.



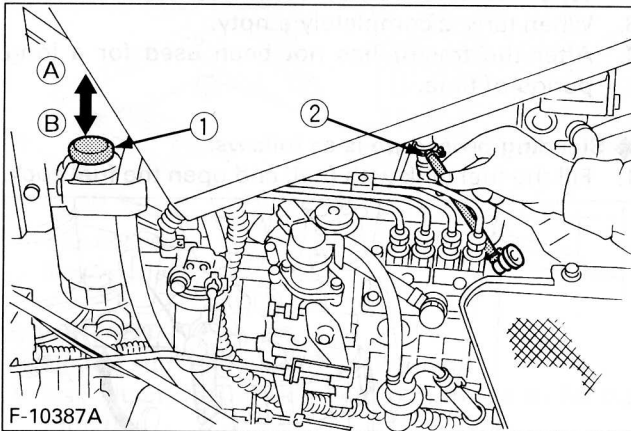
- (1) Fuel cock      (A) "CLOSE"  
 (B) "OPEN"

2. Open the air vent cock on the fuel injection pump.



- (1) Air vent cock      (A) "CLOSE"  
 (B) "OPEN"

- Pump the fuel pump knob(1) located on the top of the fuel filter. The fuel pump knob will pump easily at first and with added resistance as air is purged from the system. To make sure air is completely purged, pinch the fuel overflow hose with fingers, if a pulsation is felt when the knob is pumped, then, no air remains.



- (1) Fuel pump knob (A) "UP"  
 (2) Fuel overflow hose (B) "DOWN"

- Set the hand throttle lever at the maximum speed position, turn the key switch to start the engine, and then reset the throttle lever at the mid speed (around 1500 rpm) position. If engine doesn't start, try it several times at 30 second intervals.

**IMPORTANT:**

- Do not hold key switch at engine start position for more than 10 seconds continuously. If more engine cranking is needed, try again after 30 seconds.

- Accelerate the engine to remove the small portion of air left in the fuel system.
- If air still remains and the engine stops, repeat the above steps.
- Close the air vent cock.

**IMPORTANT:**

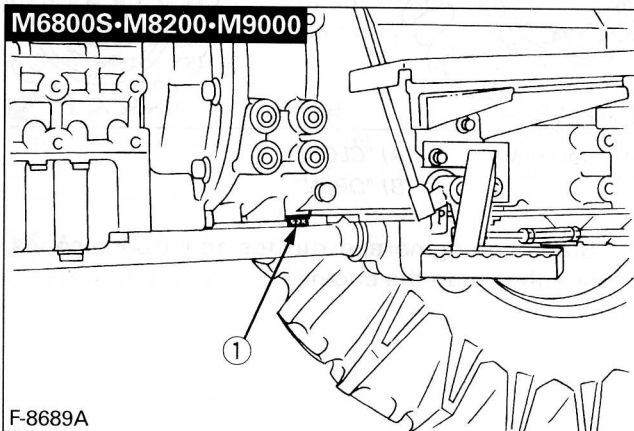
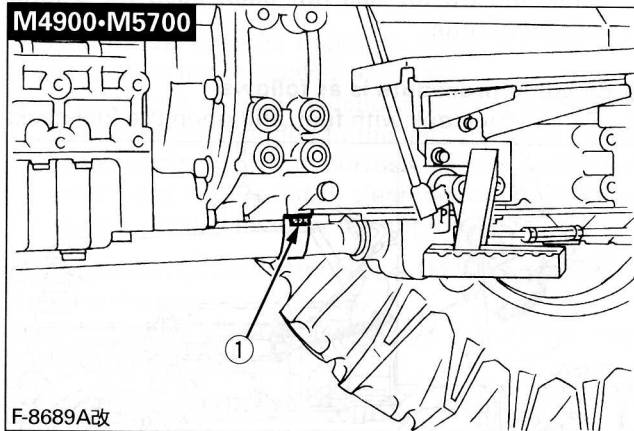
- Always close the air vent cock except for bleeding fuel lines. Otherwise, engine runs irregularly or stalls frequently.

### Draining Clutch Housing Water

The tractor is equipped with a drain plug under the clutch housing.

After operating in rain, snow or tractor has been washed, water may get into the clutch housing.

Remove the drain plug and drain the water, then install the plug again.



- (1) Water drain plug

## ■ Replacing Fuse

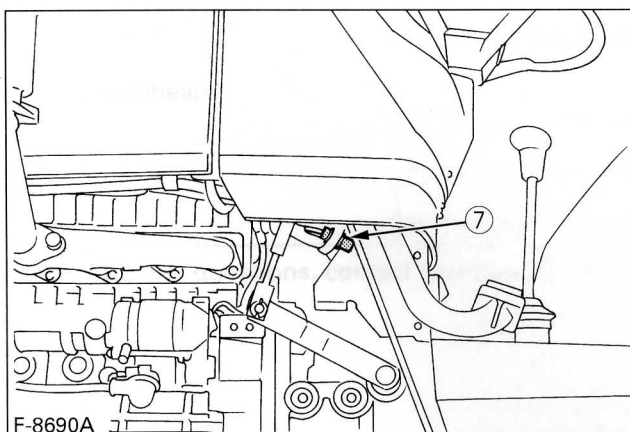
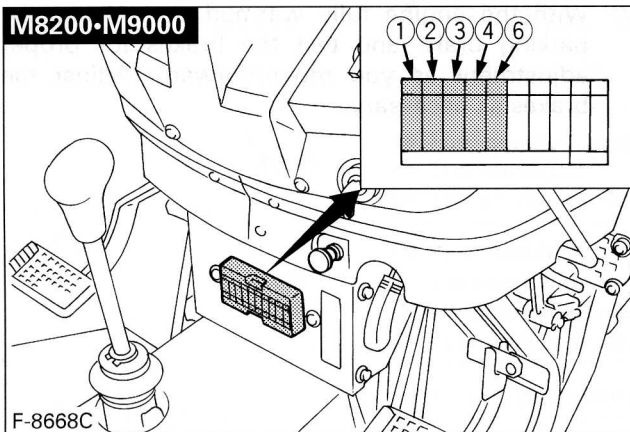
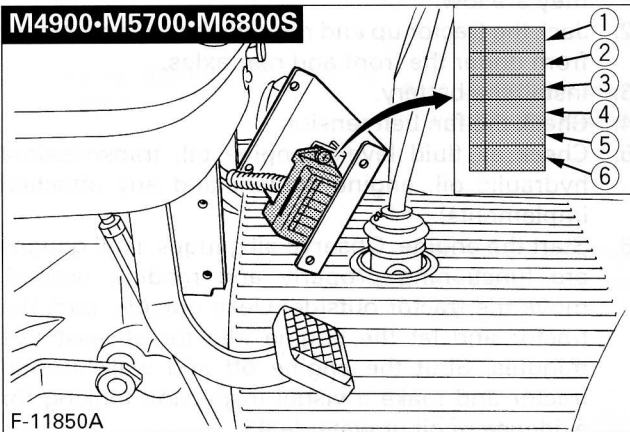
The tractor electrical system is protected from potential damage by fuses.

A blown fuse indicates that there is an overload or short somewhere in the electrical system.

If any of the fuses should blow, replace with a new one of the same capacity.

### IMPORTANT:

- Before replacing a blown fuse, determine why the fuse blew and make any necessary repairs. Failure to follow this procedure may result in serious damage to the tractor electrical system. Refer to the troubleshooting section of this manual or your local KUBOTA Dealer for specific information dealing with electrical problems.



## ◆ Protected circuit

### M4900-M5700

FUSE No.	CAPACITY (A)	Protected circuit
①	15	Main key
②	15	Head light, Flasher
③	10	Parking, Hazard
④	10	Work light
⑤	15	Key stop
⑥	10	Meter panel, Seat SW
⑦	50 Slow blow fuse	Check circuit against wrong battery connection

### M6800S-M8200-M9000

FUSE No.	CAPACITY (A)	Protected circuit
①	20	Main key
②	15	Head light, Flasher
③	10	Parking, Hazard
④	10	Work Light
⑥	10	Meter panel, Seat SW
⑦	50 Slow blow fuse	Check circuit against wrong battery connection

## ■ Replacing Light Bulb

1. Head lights.  
Take the bulb out of the light body and replace with a new one.
2. Other lights  
Detach the lens and replace the bulb.

Light	Capacity
Head lights	45W
Tail light	8W
Hazard / turn signal light	27W
Instrument panel light	3.4W
Work light	35W



# Kubota

- U.S.A. : KUBOTA TRACTOR CORPORATION**  
3401 Del Amo Blvd., Torrance, CA 90503, U.S.A.  
Telephone : (310)370-3370
- Western Division : 1175 S. Guild Avc., Lodi, CA 95240  
Telephone : (209)334-9910
- Central Division : 14855 FAA Blvd., Fort Worth, TX 76155  
Telephone : (817)571-0900
- Northern Division : 6300 at One Kubota Way, Groveport, OH 43125  
Telephone : (614)835-1100
- Southeast Division : 1025 Northbrook Parkway, Suwanee, GA 30024  
Telephone : (770)995-8855
- Canada : KUBOTA CANADA LTD.**  
5900 14th Avenue, Markham, Ontario, L3S 4K4, Canada  
Telephone : (905)294-7477
- Delta Distribution Center : 7979 82nd St, Delta B.C. V4G 1L7  
Telephone : (604)940-6061
- Drummondville Distribution Center : 5705 Place Kubota, Drummondville, Québec, J2B 6B4  
Telephone : (819)478-7151
- France : KUBOTA EUROPE S.A.S**  
19-25, Rue Jules Vercurysse, Z.I. BP88, 95101 Argenteuil Cedex, France  
Telephone : (33)1-3426-3434
- Italy : KUBOTA EUROPE S.A.S Italy Branch**  
Via Grandi, 29 20068 Peschiera Borrome (MI) Italy  
Telephone : (39)02-51650377
- Germany : KUBOTA (DEUTSCHLAND) GmbH**  
Senefelder Str. 3-5 63110 Rodgau /Nieder-Roden, Germany  
Telephone : (49)6106-873-0
- U.K. : KUBOTA (U.K.) LTD.**  
Dormer Road, Thame, Oxfordshire, OX9 3UN, U.K.  
Telephone : (44)1844-214500
- Spain : KUBOTA SERVICIOS ESPAÑA S.A.**  
Ctra, Del Barrio de la Fortuna s/n Cuatro Vientos 28044 Madrid, Spain  
Telephone : (34)91-508-6442
- Australia : KUBOTA TRACTOR AUSTRALIA PTY LTD.**  
100 Keilor Park Drive, Tullamarine, Victoria 3043 Australia  
Telephone : (61)-3-9279-2000
- Malaysia : SIME KUBOTA SDN. BHD.**  
No.3 Jalan Sepadu 25/123 Taman Perindustrian Axis,  
Seksyen 25, 40400 Shah Alam, Selangor Darul Ehsan Malasia  
Telephone : (60)3-736-1388
- Philippines: KUBOTA AGRO-INDUSTRIAL MACHINERY PHILIPPINES, INC.**  
155 Panay Avenue, South Triangle Homes, 1103 Quezon City, Philippines  
Telephone : (63)2-9201071
- Taiwan : SHIN TAIWAN AGRICULTURAL MACHINERY CO., LTD.**  
16, Fengping 2nd Rd, Taliuo Shiang Kaohsiung 83107, Taiwan R.O.C.  
Telephone : (886)7-702-2333
- Indonesia : P.T. KUBOTA INDONESIA**  
JALAN. Setyabudi 279, Semarang, Indonesia  
Telephone : (62)-24-7472849
- Thailand : THE SIAM KUBOTA INDUSTRY CO., LTD.**  
101/19-24 Navanakorn, Tambol Klونغneung, Amphur Klونغluang, Pathumtani 12120, Thailand  
Telephone : (66)2-529-0363

KUBOTA Corporation

English (U.S.A)  
Code No. 3A211-9971-2

# SPECIFICATIONS

**SPECIFICATION TABLE M4900-M5700**

Model			M4900		M5700			
			2WD	4WD	2WD	4WD		
Engine	Model		F2803-ELA		F2803-EA			
	Type		Vertical, water-cooled 4 cycle diesel engine					
	Number of cylinders		5					
	Total displacement	L(cu.in.)	2.746 (167.6)					
	Bore and stroke	mm(in.)	87 X 92.4 (3.4 X 3.6)					
	Net power	kW(HP)	37.7 (50.5)*		42.5 (57)*			
	PTO power (factory observed)	kW(HP)/rpm	33.6 (45)* / 2600		38.8 (52)* / 2800			
	Maximum torque	N·m(ft·lbs)/rpm	171 (126.1) / 1400 to 1600		183 (135.0) / 1400 to 1600			
	Battery capacity		12V, CCA700A					
	Fuel		Diesel fuel No.1 (below -10°C (14°F)), Diesel fuel No.2 (above -10°C (14°F))					
	Fuel tank capacity	L(U.S.gals.)	65 (17.2)					
	Engine oil capacity	L(U.S.qts.)	8 (8.5)					
	Coolant capacity	L(U.S.qts.)	7.3 (7.7)					
	Dimensions	Overall length		mm(in.)	3495 (137.6)	3405 (134.1)	3495 (137.6)	3405 (134.1)
Overall width (minimum tread)		mm(in.)	1710 (67.2)		1850 (72.8)			
Overall height (with ROPS)		mm(in.)	2360 (93.0)		2375 (93.5)			
Wheel base		mm(in.)	2000 (78.7)					
Tread		Front	mm(in.)	1420 (55.9) to 1820 (71.7)	1330 (52.4) 1430 (56.3)	1420 (55.9) to 1820 (71.7)	1330 (52.4) 1430 (56.3)	
		Rear	mm(in.)	1320 (52.0) to 1720 (67.7)		1420 (55.9) to 1720 (67.7)		
Minimum ground clearance		mm(in.)	430 (16.9) (BRACKET DRAWBAR)		460 (18.1) (BRACKET DRAWBAR)			
Weight (With ROPS)		kg (lbs.)	1700 (3748)	1800 (3968)	1750 (3858)	1850 (4078)		
Traveling system	Standard tire size	Front tires	6.5-16		9.5-22		7.5-16	9.5-22
		Rear tires	14.9-28		16.9-28			
	Clutch		Single dry plate					
	Steering		Hydrostatic Power Steering					
	Transmission		8 forward and 8 reverse fully synchronized main and shuttle transmission					
Braking system		Multiple wet disk mechanical						
Differential		Bevel gears with diff. lock (Rear)						
Hydraulic unit	Hydraulic control system		Position, draft and mix control					
	Pump capacity		L(U.S.qts.)/min	41.6 (44.0)				
	Three point hitch		Category I and II					
	Max. lifting force	At lifting points	kg(lbs.)	1900 (4200) At lower link end with links horizontal				
		24.in. behind lifting point	kg(lbs.)	1500 (3307)				
	Remote hydraulic control		One remote valve with detent and self-canceling					
System pressure		MPa(kgf/cm <sup>2</sup> )	19.1 (195)					
Traction system		Swinging drawbar, adjustable in direction						
PTO (Independent)	Live PTO		Direction of turning				Clockwise, viewed from tractor rear	
	Standard PTO		540 rpm at 2295 engine rpm					

**NOTE:** \* Manufacturer's estimate The company reserves the right to change the specifications without notice.