



- U.S.A. : **KUBOTA TRACTOR CORPORATION**
3401 Del Amo Blvd., Torrance, CA 90503, U.S.A.
Telephone : (310)370-3370
- Western Division : 1175 S. Guild Av., Lodi, CA 95240
Telephone : (209)334-9910
- Central Division : 14855 FAA Blvd., Fort Worth, TX 76155
Telephone : (817)571-0900
- Northern Division : 6300 at One Kubota Way, Groveport, OH 43125
Telephone : (614)835-1100
- Southeast Division : 1025 Northbrook Parkway, Suwanee, GA 30024
Telephone : (770)995-8855
- Canada : **KUBOTA CANADA LTD.**
5900 14th Avenue, Markham, Ontario, L3S 4K4, Canada
Telephone : (905)294-7477
- France : **KUBOTA EUROPE S.A.S**
19-25, Rue Jules Vercey, Z.I. BP88, 95101 Argenteuil Cedex, France
Telephone : (33)1-3426-3434
- Italy : **KUBOTA EUROPE S.A.S Italy Branch**
Via Grandi, 29 20068 Peschiera Borrome (MI) Italy
Telephone : (39)02-51650377
- Germany : **KUBOTA (DEUTSCHLAND) GmbH**
Senefelder Str. 3-5 63110 Rodgau /Nieder-Roden, Germany
Telephone : (49)6106-873-0
- U.K. : **KUBOTA (U.K.) LTD.**
Dormer Road, Thame, Oxfordshire, OX9 3UN, U.K.
Telephone : (44)1844-214500
- Spain : **KUBOTA ESPAÑA S.A.**
Avenida Recomba No.5, Poligno Industrial la Laguna, Leganes, 28914 (Madrid) Spain
Telephone : (34)91-508-6442
- Australia : **KUBOTA TRACTOR AUSTRALIA PTY LTD.**
25-29 Permas Way, Truganina, VIC 3029, Australia
Telephone : (61)-3-9394-4400
- Malaysia : **SIME KUBOTA SDN. BHD.**
No.3 Jalan Sepadu 25/123 Taman Perindustrian Axis,
Seksyen 25, 40400 Shah Alam, Selangor Darul Ehsan Malaysia
Telephone : (60)3-736-1388
- Philippines : **KUBOTA PHILIPPINES, INC.**
232 Quirino Highway, Baesa, Quezon City 1106, Philippines
Telephone : (63)2-422-3500
- Taiwan : **SHIN TAIWAN AGRICULTURAL MACHINERY CO., LTD.**
16, Fengping 2nd Rd, Taliiao Shiang Kaohsiung 83107, Taiwan R.O.C.
Telephone : (886)7-702-2333
- Indonesia : **PT KUBOTA MACHINERY INDONESIA**
Tower A at EightyEight@Kasablanka Lantai 16
Jalan Raya Casablanka Kav. 88, Jakarta 12870 Indonesia
Telephone : (62)-21-29568-720
- Thailand : **SIAM KUBOTA CORPORATION CO., LTD.**
101/19-24 Moo 20, Navanakorn Industrial Estate, Tambon Khlongnueng, Amphur Khlongluang,
Pathumthani 12120, THAILAND
Telephone : (66)2-909-0300
- Korea : **KUBOTA KOREA CO., LTD.**
41-27, Jayumyeok-gil, Baeksan-myeon, Gimje-si, Jeollabuk-do, Korea
Telephone : (82)-63-544-5822
- India : **KUBOTA AGRICULTURAL MACHINERY INDIA PVT. LTD.**
Regus, Level 2 Altius, Olympia Tech Park, No.1 SIDCO Industrial Estate, Guindy, Chennai 600032, TN, India
Telephone : (91)-44-4299-4237
- Vietnam : **KUBOTA VIETNAM CO., LTD.**
Lot B-3A2-CN, My Phuoc 3 Industrial Park, Ben Cat District, Binh Duong Province, Vietnam
Telephone : (84)-650-3577-507

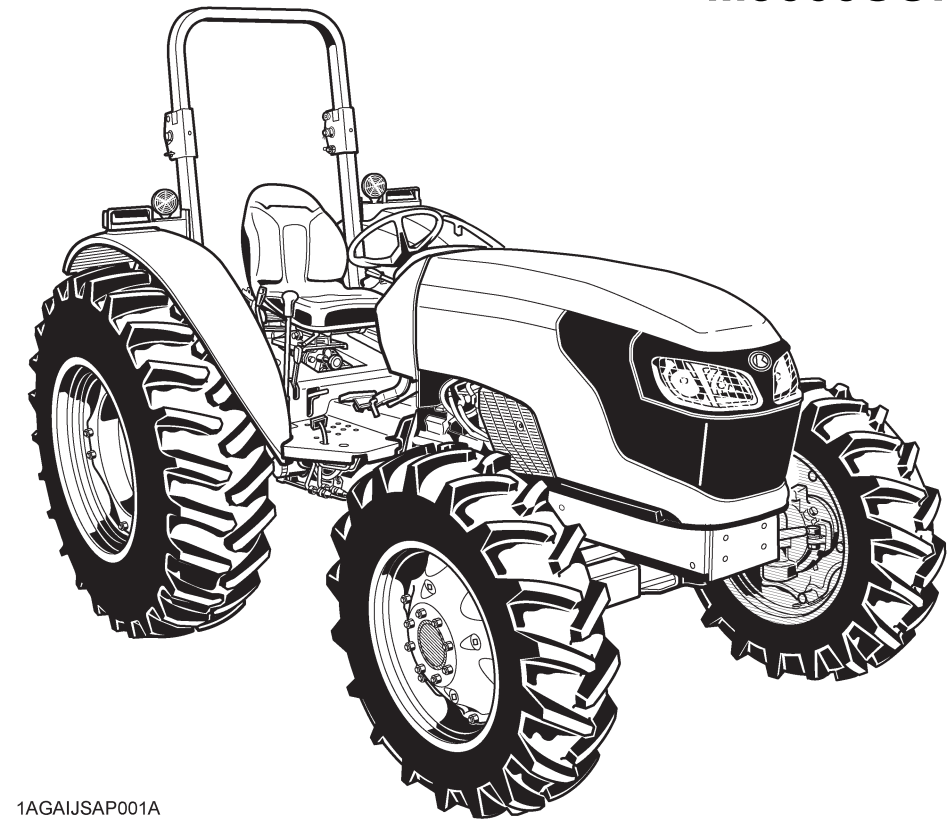
KUBOTA Corporation

English (U.S.A.)
Code No. 3C111-9971-1

OPERATOR'S MANUAL

KUBOTA TRACTOR

**MODELS M5660SUH
M5660SUHD**



1AGAIJSAP001A

M
5
6
6
0
S
U
H
·
M
5
6
6
0
S
U
H
D

READ AND SAVE THIS MANUAL



ABBREVIATION LIST

Abbreviations	Definitions
2WD	2 Wheel Drive
4WD	4 Wheel Drive
API	American Petroleum Institute
ASABE	American Society of Agricultural and Biological Engineers, USA
ASTM	American Society for Testing and Materials, USA
DIN	Deutsches Institut für Normung, GERMANY
DT	Dual Traction [4WD]
fpm	Feet Per Minute
GST	Glide Shift Transmission
Hi-Lo	High Speed-Low Speed
HST	Hydrostatic Transmission
m/s	Meters Per Second
PTO	Power Take Off
RH/LH	Right-hand and left-hand sides are determined by facing in the direction of forward travel
ROPS	Roll-Over Protective Structures
rpm	Revolutions Per Minute
r/s	Revolutions Per Second
SAE	Society of Automotive Engineers, USA
SMV	Slow Moving Vehicle

California Proposition 65

⚠ WARNING ⚠

Engine exhaust, some of its constituents, certain vehicle components and fluids, contain or emit chemicals known to the State of California to cause cancer and birth defects or other reproductive harm.

KUBOTA Corporation is ...

Since its inception in 1890, KUBOTA Corporation has grown to rank as one of the major firms in Japan.

To achieve this status, the company has through the years diversified the range of its products and services to a remarkable extent. Nineteen plants and 16,000 employees produce over 1,000 different items, large and small.

All these products and all the services which accompany them, however, are unified by one central commitment. KUBOTA makes products which, taken on a national scale, are basic necessities. Products which are indispensable. Products which are intended to help individuals and nations fulfill the potential inherent in their environment. KUBOTA is the Basic Necessities Giant.

This potential includes water supply, food from the soil and from the sea, industrial development, architecture and construction, and transportation.

Thousands of people depend on KUBOTA's know-how, technology, experience and customer service. You too can depend on KUBOTA.

UNIVERSAL SYMBOLS

As a guide to the operation of your tractor, various universal symbols have been utilized on the instruments and controls. The symbols are shown below with an indication of their meaning.

	Safety Alert Symbol		Position Control-Raised Position		Lock
	Diesel Fuel		Position Control-Lowered Position		Rear Window Defroster
	Engine-Rotational Speed		Engine Warning		Steering Wheel-Tilt Control
	Hourmeter/Elapsed Operating Hours		Emission Control		Empty
	Engine Coolant-Temperature		Draft Control-Shallow Position		Full
	Diesel Preheat/Glow Plugs(Low Temperature Start Aid)		Draft Control-Deep Position		PTO 540 rpm
	Parking Brake		3-Point Lowering Speed Control		PTO 1000 rpm
	Engine Intake/Combustion Air-Filter		Remote Cylinder-Retract		Regeneration
	Battery Charging Condition		Remote Cylinder-Extend		DPF INHIBIT (Switch)
	Engine Oil-Pressure		Hazard Warning Lights		Regeneration (Switch)
	Turn Signal		Headlight-Low Beam		Parked Regeneration
	Electrical Power-accessories		Headlight-High Beam		Engine RPM Increase
	Engine-Run		4-Wheel Drive-On		Rev-limiter Control
	Engine-Start		4-Wheel Drive-Off		Constant RPM Management
	Engine-Stop		Front-Wheel Drive-On		
	Power Take-Off Clutch Control-Off (Disengaged) Position		Fast		
	Power Take-Off Clutch Control-On (Engaged) Position		Slow		
	Bi-Speed turn		Creep		
	Differential Lock		Windshield Wiper		
			Windshield Wiper Intermittent		
			Windshield Washer		

FOREWORD

You are now the proud owner of a KUBOTA Tractor. This tractor is a product of KUBOTA quality engineering and manufacturing. It is made of fine materials and under a rigid quality control system. It will give you long, satisfactory service. To obtain the best use of your tractor, please read this manual carefully. It will help you become familiar with the operation of the tractor and contains many helpful hints about tractor maintenance. It is KUBOTA's policy to utilize as quickly as possible every advance in our research. The immediate use of new techniques in the manufacture of products may cause some small parts of this manual to be outdated. KUBOTA distributors and dealers will have the most up-to-date information. Please do not hesitate to consult with them.



SAFETY FIRST

This symbol, the industry's "Safety Alert Symbol", is used throughout this manual and on labels on the machine itself to warn of the possibility of personal injury. Read these instructions carefully. It is essential that you read the instructions and safety regulations before you attempt to assemble or use this unit.



DANGER : Indicates an imminently hazardous situation which, if not avoided, will result in death or serious injury.



WARNING : Indicates a potentially hazardous situation which, if not avoided, could result in death or serious injury.



CAUTION : Indicates a potentially hazardous situation which, if not avoided, could result in minor or moderate injury.

IMPORTANT : Indicates that equipment or property damage could result if instructions are not followed.

NOTE : Gives helpful information.

CONTENTS

▲ SAFE OPERATION	▲ -1
SERVICING OF TRACTOR.....	1
SPECIFICATIONS.....	3
SPECIFICATION TABLE	3
TRAVELING SPEEDS	5
IMPLEMENT LIMITATIONS	6
INSTRUMENT PANEL AND CONTROLS.....	8
PRE-OPERATION CHECK	11
DAILY CHECK	11
OPERATING THE ENGINE.....	12
EXHAUST AFTERTREATMENT DEVICES.....	12
Diesel Particulate Filter (DPF) Muffler	12
Handling Points.....	13
DPF Regeneration Process	13
Regeneration Operating Procedure.....	14
PM Warning Level and Required Procedures	15
Regeneration Operating Procedure.....	16
PM Warning Level and Required Procedures	17
Tips on Diesel Particulate Filter (DPF) Regeneration.....	19
STARTING THE ENGINE	19
COLD WEATHER STARTING	22
Block Heater (if equipped)	22
STOPPING THE ENGINE.....	22
WARMING UP	22
Warm-up and Transmission Oil at Low Temperature Range	22
JUMP STARTING	23
OPERATING THE TRACTOR.....	24
OPERATING NEW TRACTOR	24
Do not Operate the Tractor at Full Speed for the First 50 Hours.....	24
Changing Lubricating Oil for New Tractors.....	24
BOARDING AND LEAVING THE TRACTOR	24
OPERATING FOLDABLE ROPS	24
To Fold the ROPS	24
To Raise the ROPS to Upright Position.....	25
Adjustment of Foldable ROPS.....	26
STARTING	26
Operator's Seat.....	26
Seat Belt	27
Light Switch	27
Turn Signal / Hazard Light Switch	27
Brake Pedals (Right and Left).....	28
Clutch Pedal	29
Main Gear Shift Lever.....	30

Range Gear Shift Lever	30
Hydraulic-Shuttle Shift Lever	31
Front Wheel Drive Lever	31
Hand Throttle Lever	32
Foot Throttle	32
Parking Brake	32
STOPPING.....	32
Stopping.....	32
CHECK DURING DRIVING	32
Immediately Stop the Engine if:	32
Easy Checker(TM).....	32
Fuel Gauge	33
Coolant Temperature Gauge	34
Tachometer.....	34
LCD MONITOR.....	35
Changing Display Mode.....	35
PTO Speed Display Mode Switching.....	37
ELECTRONIC ENGINE CONTROL.....	38
Constant RPM Management Control.....	38
PARKING	38
Parking.....	38
OPERATING TECHNIQUES	39
Differential Lock.....	39
Operating the Tractor on a Road	39
Operating on Slopes and Rough Terrain	40
Transport the Tractor Safely	40
Directions for Use of Power Steering.....	40
Electrical Outlet.....	40
PTO	41
PTO OPERATION.....	41
PTO Clutch Control Lever.....	41
PTO Gear Shift Lever	42
PTO Speed Limiter	42
LCD Monitor Message.....	43
PTO Shaft Cover and Shaft Cap	43
3-POINT HITCH & DRAWBAR.....	44
3-POINT HITCH	45
Category 1 & 2.....	45
Selecting the holes of Lower Links	45
Selecting the Top Link Mounting Holes	45
Drawbar	45
Lifting Rod (Right).....	46
Top Link.....	46
Telescopic Stabilizers.....	47
Telescopic Lower Links	47
DRAWBAR.....	47
Swing Drawbar	47
HYDRAULIC UNIT.....	48
3-POINT HITCH CONTROL SYSTEM.....	48
Position Control	48

Float Control	48
3-point Hitch Lowering Speed.....	48
REMOTE HYDRAULIC CONTROL SYSTEM.....	49
Remote Control Valve.....	49
Remote Control Valve Lever.....	49
Remote Control Valve Coupler Connecting and Disconnecting	50
Hydraulic Control Unit Use Reference Chart.....	51
TIRES, WHEELS AND BALLAST.....	52
TIRES.....	52
Inflation Pressure.....	52
Dual Tires	52
WHEEL ADJUSTMENT	52
Front Wheels (with 2-wheel drive)	53
Front Wheels (with 4-wheel drive)	54
Rear Wheels.....	56
BALLAST	57
Front Ballast.....	57
Rear Ballast	58
MAINTENANCE.....	59
SERVICE INTERVALS	59
LUBRICANTS, FUEL AND COOLANT	62
PERIODIC SERVICE.....	64
HOW TO OPEN THE HOOD	64
Hood	64
DAILY CHECK	64
Walk Around Inspection.....	64
Checking and Refueling.....	65
Checking Water Separator	65
Checking Engine Oil Level.....	66
Checking Transmission Fluid Level	66
Checking Coolant Level.....	67
Cleaning Evacuator Valve	67
Cleaning Grill, Radiator Screen, Oil Cooler and Battery Mount.....	67
Checking DPF Muffler.....	68
Checking Brake Pedal	68
Checking Gauges, Meter and Easy Checker(TM).....	68
Checking Head Light, Turn Signal / Hazard Light etc.....	68
Checking Seat Belt and ROPS	68
Checking Movable Parts.....	68
EVERY 50 HOURS	68
Checking Engine Start System	68
Checking Wheel Bolt Torque	69
Checking Tie-rod Dust Cover	70
EVERY 100 HOURS	70
Lubricating Grease Fittings.....	70
Cleaning Air Cleaner Primary Element.....	71
Adjusting Fan Belt Tension.....	72
Checking Fuel Line	72
Adjusting Brake Pedal	73
Checking Battery Condition	73

EVERY 200 HOURS	75
Checking Radiator Hose and Clamp	75
Checking Intake Air Line	75
Checking Power Steering Line	76
Adjusting Toe-in	76
Draining Fuel Tank Water	77
EVERY 300 HOURS	77
Replacing Hydraulic Oil Filter	77
EVERY 400 HOURS	78
Changing Engine Oil	78
Replacing Engine Oil Filter	79
Replacing Fuel Filter	79
Cleaning Water Separator	79
Lubricating Grease Fitting [2WD Model]	80
EVERY 600 HOURS	80
Changing Transmission Fluid	80
Changing Front Axle Gear Case Oil & Front Differential Case Oil	81
Adjusting Front Axle Pivot	82
EVERY 800 HOURS	82
Adjusting Engine Valve Clearance	82
EVERY 1500 HOURS	82
Cleaning Fuel Injector Nozzle Tip	82
Replacing Oil Separator Element	82
Checking and Cleaning EGR Cooler	82
EVERY 3000 HOURS	82
Checking Turbocharger	82
Checking Supply Pump	82
Checking and Cleaning EGR System	82
Cleaning DPF Muffler	83
EVERY 1 YEAR	83
Replacing Air Cleaner Primary Element and Secondary Element	83
Checking Exhaust Manifold	83
Checking DPF Related Pipe	83
Checking EGR Pipe	83
EVERY 2 YEARS	83
Flushing Cooling System and Changing Coolant	83
Anti-Freeze	84
Replacing Radiator Hose (Water pipes)	84
Replacing Power Steering Hose	84
Replacing Fuel Hose	84
Replacing Intake Air Line	84
Replacing Oil Separator Related Rubber Pipe	84
Replacing PCV (Positive Crankcase Ventilation) Valve Hose	84
Replacing DPF Related Rubber Pipe	84
Replacing EGR Cooler Rubber Pipe	84
Replacing Boost Sensor Hose	85
SERVICE AS REQUIRED	85
Bleeding Fuel System	85
Draining Clutch Housing Water	85
Replacing Fuse	85
Replacing Slow-Blow Fuses	86
Replacing Light Bulb	87

Replacing Head Lamp	87
STORAGE	88
TRACTOR STORAGE	88
REMOVING THE TRACTOR FROM STORAGE	88
TROUBLESHOOTING.....	89
ENGINE TROUBLESHOOTING	89
POWER TRAIN TROUBLE SHOOTING.....	90
OPTIONS.....	91
APPENDICES.....	92
INDEX	92



SAFE OPERATION

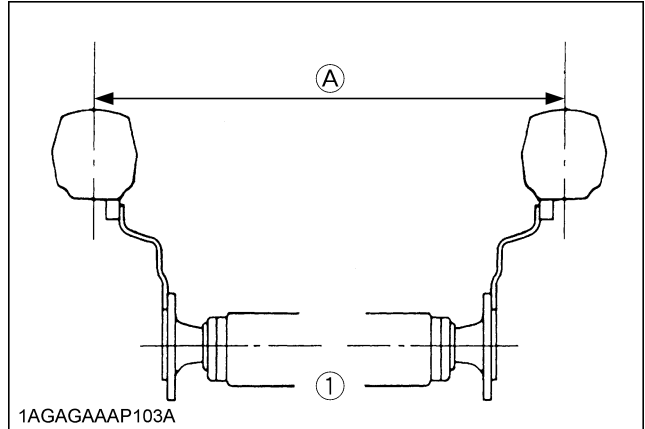
Careful operation is your best insurance against an accident.

Read and understand this manual carefully before operating the tractor.

All operators, no matter how much experience they may have, should read this and other related manuals before operating the tractor or any implement attached to it. It is the owner's obligation to instruct all operators in safe operation.

1. BEFORE OPERATING THE TRACTOR

1. Know your equipment and its limitations. Read this entire manual before attempting to start and operate the tractor.
2. Pay special attention to the danger, warning and caution labels on the tractor.
3. Do not operate the tractor or any implement attached to it while under the influence of alcohol, medication, controlled substances or while fatigued.
4. Before allowing other people to use your tractor, explain how to operate and have them read this manual before operation.
5. Never wear loose, torn, or bulky clothing around tractor. It may catch on moving parts or controls, leading to the risk of an accident. Use additional safety items, e.g. hard hat, safety boots or shoes, eye and hearing protection, gloves, etc., as appropriate or required.
6. Do not allow passengers to ride on any part of the tractor at anytime. The operator must remain in the tractor seat during operation.
7. Check brakes, clutch, linkage pins and other mechanical parts for improper adjustment and wear. Replace worn or damaged parts promptly. Check the tightness of all nuts and bolts regularly. (For further details, see "MAINTENANCE" section.)
8. Keep your tractor clean. Dirt, grease, and trash build up may contribute to fires and lead to personal injury.
9. Use only implements meeting the specifications listed under "IMPLEMENT LIMITATIONS" in this manual or implements approved by KUBOTA.
10. Use proper weights on the front or rear of the tractor to reduce the risk of upsets. When using the front loader, put an implement or ballast on the 3-point hitch to improve stability. Follow the safe operating procedures specified in the implement or attachment manual.
11. The narrower the tread, the greater the risk of a tractor upset. For maximum stability, adjust the wheels to the widest practical tread width for your application. (See "TIRES, WHEELS AND BALLAST" section.)



(1) Rear wheels

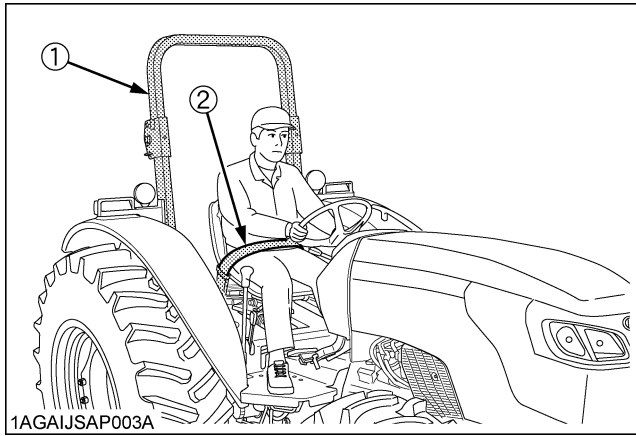
(A) Tread Width

12. Do not modify the tractor. Unauthorized modification may affect the function of the tractor, which may result in personal injury.

◆ CAB, ROPS

1. KUBOTA recommends the use of a CAB or Roll Over Protective Structures (ROPS) and seat belt in almost all applications. This combination will reduce the risk of serious injury or death, should the tractor be upset. Check for overhead clearance which may interfere with a CAB or ROPS.
2. Set parking brake and stop engine. Remove any obstruction that may prevent raising or folding of the ROPS. Do not allow any bystanders. Always perform function from a stable position at the rear of the tractor. Hold the top of the ROPS securely when raising or folding. Make sure all pins are installed and locked.
3. If the CAB or ROPS is loosened or removed for any reason, make sure that all parts are reinstalled correctly before operating the tractor.
4. Never modify or repair any structural member of a CAB or ROPS because welding, bending, drilling, grinding, or cutting may weaken the structure.
5. If any structural member of the CAB or ROPS is damaged, replace the entire structure at your local KUBOTA Dealer.
6. If the tractor is equipped with a foldable ROPS it may be temporarily folded down only when absolutely necessary for areas with height constraints. (There is no operator protection provided by the ROPS in the folded position. For operator safety the ROPS should be placed in the upright and locked position and the seat belt fastened for all other operations.)

7. Always use the seat belt if the tractor has a CAB or ROPS.
Do not use the seat belt if a foldable ROPS is down or there is no ROPS. Check the seat belt regularly and replace if frayed or damaged.



- (1) ROPS
(2) Seat belt

2. OPERATING THE TRACTOR

Operator safety is a priority. Safe operation, specifically with respect to overturning hazards, entails understanding the equipment and environmental conditions at the time of use. Some prohibited uses which can affect overturning hazards include traveling and turning with implements and loads carried too high etc. This manual sets forth some of the obvious risks, but the list is not, and cannot be, exhaustive. It is the operator's responsibility to be alert for any equipment or environmental condition that could compromise safe operation.

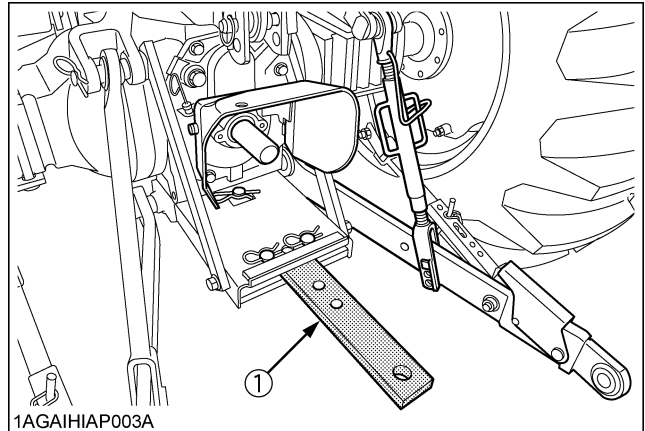
◆ Starting

1. Always sit in the operator's seat when starting engine or operating levers or controls. Adjust seat per instructions in the operating the tractor section. Never start engine while standing on the ground.
2. Before starting the engine, make sure that all levers (including auxiliary control levers) are in their neutral positions, that the parking brake is engaged, and that both the clutch and the Power Take-Off (PTO) are disengaged or "OFF".
Fasten the seat belt if the tractor has a CAB, a fixed ROPS or a foldable ROPS in the upright and locked position.
3. Do not start engine by shorting across starter terminals or bypassing the safety start switch. Machine may start in gear and move if normal starting circuitry is bypassed.
4. Do not operate or idle engine in a non-ventilated area. Carbon monoxide gas is colorless, odorless, and deadly.

5. Check before each use that operator presence controls are functioning correctly. Test safety systems. (See "Checking Engine Start System" in "EVERY 50 HOURS" in "PERIODIC SERVICE" section.)
Do not operate unless they are functioning correctly.

◆ Working

1. Pull only from the drawbar. Never hitch to axle housing or any other point except drawbar; such arrangements will increase the risk of serious personal injury or death due to a tractor upset.



- (1) Drawbar

2. For trailing PTO-driven implements, set the drawbar to the towing position.
3. Attach pulled or towed loads to the drawbar only.
4. Keep all shields and guards in place. Replace any that are missing or damaged.
5. Avoid sudden starts. To avoid upsets, slow down when turning, on uneven ground, and before stopping.
6. The tractor cannot turn with the differential locked and attempting to do so could be dangerous.
7. Do not operate near ditches, holes, embankments, or other ground surface features which may collapse under the tractor's weight. The risk of tractor upset is even higher when the ground is loose or wet. Tall grass can hide obstacles, walk the area first to be sure.
8. Watch where you are going at all times. Watch for and avoid obstacles. Be alert at row ends, near trees, and other obstructions.
9. When working in groups, always let the others know what you are going to do before you do it.
10. Never try to get on or off a moving tractor.
11. Always sit in the operator's seat when operating levers or controls.
12. Do not stand between tractor and implement or trailed vehicle unless parking brake is applied.

◆ Safety for children

Tragedy can occur if the operator is not alert to the presence of children. Children generally are attracted to machines and the work they do.

1. Never assume that children will remain where you last saw them.
2. Keep children out of the work area and under the watchful eye of another responsible adult.
3. Be alert and shut your machine down if children enter the work area.
4. Never carry children on your machine. There is no safe place for them to ride. They may fall off and be run over or interfere with your control of the machine.
5. Never allow children to operate the machine even under adult supervision.
6. Never allow children to play on the machine or on the implement.
7. Use extra caution when backing up. Look behind and down to make sure area is clear before moving.

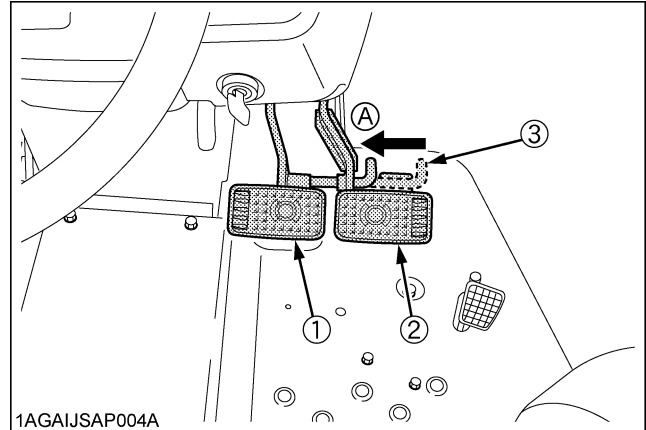
◆ Operating on slopes

Slopes are a major factor related to loss-of-control and tip-over accidents, which can result in severe injury or death. All slopes require extra caution.

1. To avoid upsets, always back up steep slopes. If you cannot back up the slope or if you feel uneasy on it, do not operate on it. Stay off slopes too steep for safe operation.
2. Driving forward out of a ditch, mired condition or up a steep slope increases the risk of a tractor to be upset backward. Always back out of these situations. Extra caution is required with 4-wheel drive models because their increased traction can give the operator false confidence in the tractor's ability to climb slopes.
3. Keep all movement on slopes slow and gradual. Do not make sudden changes in speed, direction or apply brake and make sudden motions of the steering wheel.
4. Avoid disengaging the clutch or changing gears speed when climbing or going down a slope. If on a slope disengaging the clutch or changing gears to neutral could cause loss of control.
5. Special attention should be made to the weight and location of implements and loads as such will affect the stability of the tractor.
6. To improve stability on slope, set widest wheel tread as shown in "TIRES, WHEELS AND BALLAST" section.
Follow recommendations for proper ballasting.
7. To avoid free wheeling:
 - Do not shift the shuttle lever while on a slope.
 - Stop completely by using the brake and by depressing the clutch pedal, then shift the shuttle lever.
 - Start off after selecting shuttle direction, by releasing the clutch pedal.

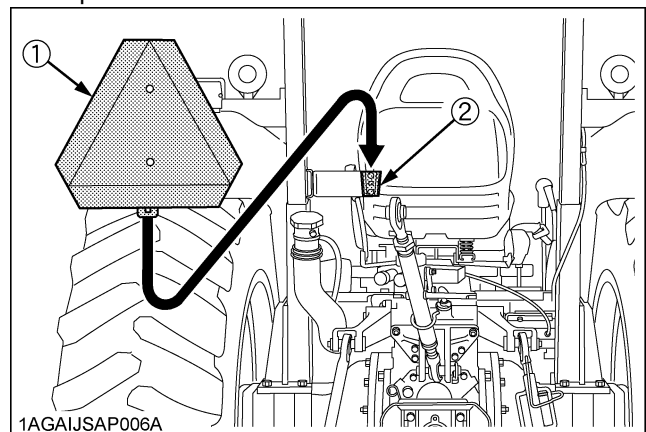
◆ Driving the tractor on the road

1. Lock the 2 brake pedals together to help assure straight-line stops. Uneven braking at road speeds could cause the tractor to tip over.



- (1) Brake Pedal (LH) (A) Whenever travelling on the road
 (2) Brake Pedal (RH)
 (3) Brake Pedal Lock

2. Check the front wheel engagement. The braking characteristics are different between 2 and 4-wheel drive. Be aware of the difference and use carefully.
3. Always slow the tractor down before turning. Turning at high speed may tip the tractor over.
4. Make sure that the Slow Moving Vehicle (SMV) sign is clean and visible. Use hazard lights and turn signals as required.

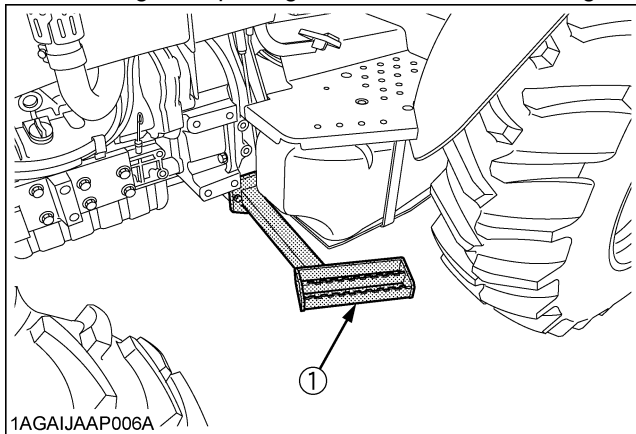


- (1) SMV emblem
 (2) Bracket

5. On public roads use the SMV emblem and hazard lights, if required by local traffic and safety regulations.
6. Observe all local traffic and safety regulations.
7. Turn the headlights on. Dim them when meeting another vehicle.
8. Drive at speeds that allow you to maintain control at all times.
9. Do not apply the differential lock while traveling at road speeds. The tractor may run out of control.

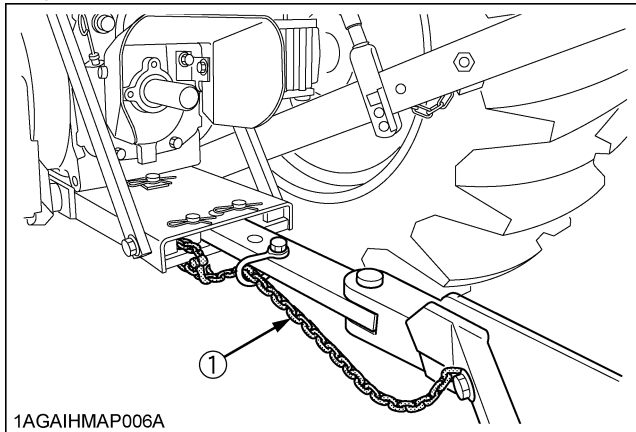
▲-4 SAFE OPERATION

10. Avoid sudden motions of the steering wheel as they can lead to a dangerous loss of stability. The risk is especially great when the tractor is traveling at road speeds.
11. Keep the ROPS in the "UP" position and wear the seat belt when driving the tractor on the road. Otherwise, you will not be protected in the event of a tractor roll-over.
12. Do not operate an implement while the tractor is on the road. Lock the 3-point hitch in the raised position.
13. Do not ride or stand on the step during operation. Riding or standing there could result in being crushed under the rear tire due to slippage or the step fracturing or displacing due to unintended loading.



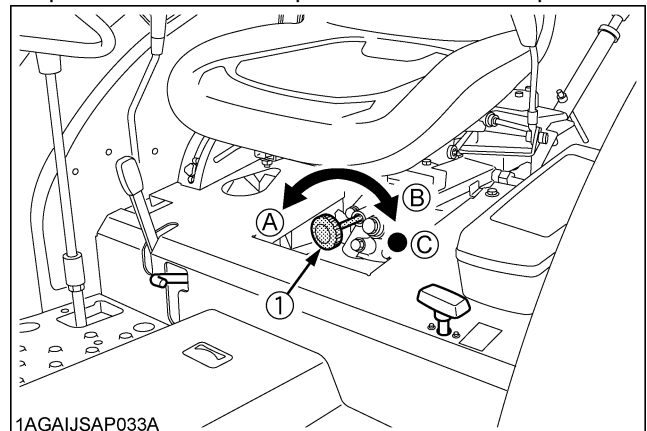
(1) Step

14. When towing other equipment, use a safety chain and place an SMV emblem on it as well.



(1) Safety chain

15. Set the implement lowering speed knob in the "LOCK" position to hold the implement in the raised position.



(1) 3-point hitch lowering speed knob

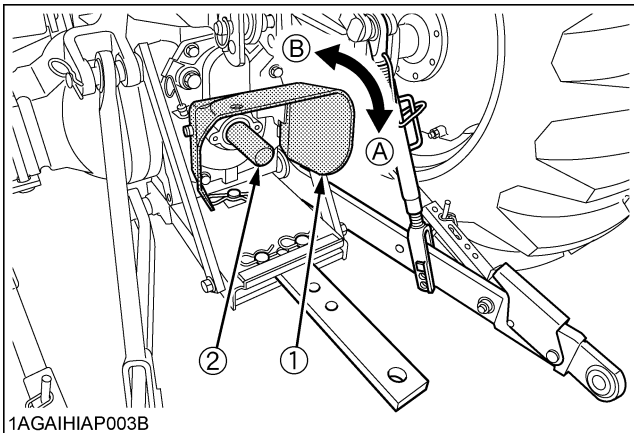
(A) "FAST"
(B) "SLOW"
(C) "LOCK"

3. PARKING THE TRACTOR

1. Disengage the PTO, lower all implements to the ground, place all control levers in their neutral positions, set the parking brake, stop the engine, remove the key from the ignition and lock the cab door (if equipped). Leaving transmission in gear with the engine stopped will not prevent tractor from rolling.
2. Make sure that the tractor has come to a complete stop before dismounting.
3. Avoid parking on steep slopes, if at all possible park on a firm and level surface; if not, park across a slope with chock the wheels.
Failure to comply with this warning may allow the tractor to move and could cause injury or death.

4. OPERATING THE PTO

1. Wait until all moving components have completely stopped before getting off the tractor, connecting, disconnecting, adjusting, cleaning, or servicing any PTO driven equipment.
2. Keep the PTO shaft cover in place at all times. Replace the PTO shaft cap when the shaft is not in use.

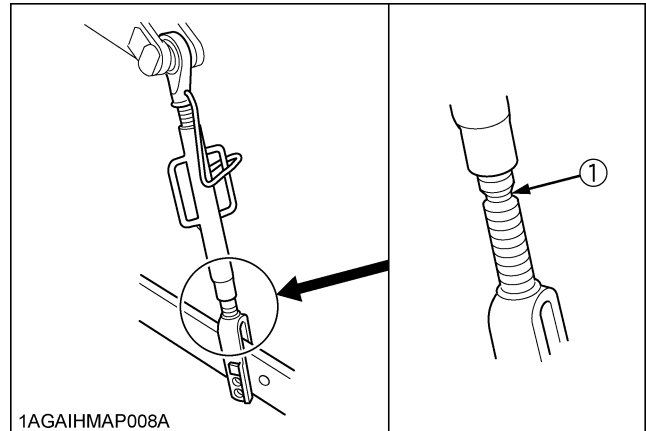


(1) PTO Shaft cover (A) "NORMAL POSITION"
(2) PTO Shaft cap (B) "RAISED POSITION"

3. Before installing or using PTO driven equipment, read the manufacturer's manual and review the safety labels attached to the equipment.
To prevent PTO driven equipment from improper or unsafe use, select the lower speed (540rpm) unless the higher one is specifically recommended as safe by the equipment manufacture.
4. When operating stationary PTO driven equipment, always apply the tractor parking brake and place chocks behind and in front of the rear wheels. Stay clear of all rotating parts. Never step over rotating parts.

5. USING 3-POINT HITCH

1. Use the 3-point hitch only with equipment designed for 3-point hitch usage.
2. When using a 3-point hitch mounted implement, be sure to install the proper counterbalance weight on the front of the tractor.
3. To avoid injury from separation:
Do not extend lift rod beyond the groove on the threaded rod.



(1) Groove

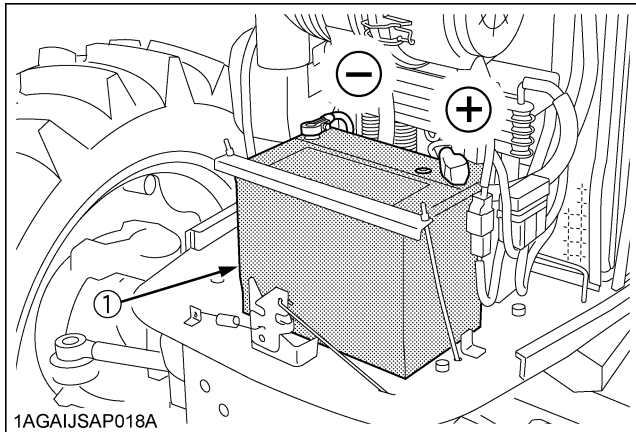
6. SERVICING THE TRACTOR

Before servicing the tractor, park it on a firm, flat and level surface, set the parking brake, lower all implements to the ground, place the gear shift lever in neutral, stop the engine and remove the key.

1. Allow the tractor time to cool off before working on or near the engine, muffler, radiator, etc.
2. Do not remove radiator cap while coolant is hot. When cool, slowly rotate cap to the first stop and allow sufficient time for excess pressure to escape before removing the cap completely. If the tractor has a coolant recovery tank, add coolant or water to the tank, not the radiator. (See "Checking Coolant Level" in "DAILY CHECK" in "PERIODIC SERVICE" section.)
3. Always stop the engine before refueling. Avoid spills and overfilling.
4. Do not smoke when working around battery or when refueling. Keep all sparks and flames away from battery and fuel tank. The battery presents an explosive hazard, because it gives off hydrogen and oxygen especially when recharging.
5. Before "jump starting" a dead battery, read and follow all of the instructions. (See "JUMP STARTING" in "OPERATING THE ENGINE" section.)
6. Keep first aid kit and fire extinguisher handy at all times.

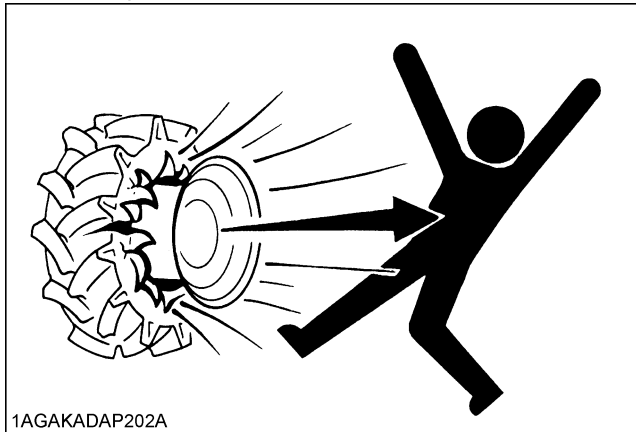
▲-6 SAFE OPERATION

7. Disconnect the battery's ground cable before working on or near electric components.
8. To avoid the possibility of battery explosion, do not use or charge the refillable type battery if the fluid level is below the LOWER (lower limit level) mark. Check the fluid level regularly and add distilled water as required so that the fluid level is between the UPPER and LOWER levels.
9. To avoid sparks from an accidental short circuit, always disconnect the battery's ground cable (-) first and reconnect it last.



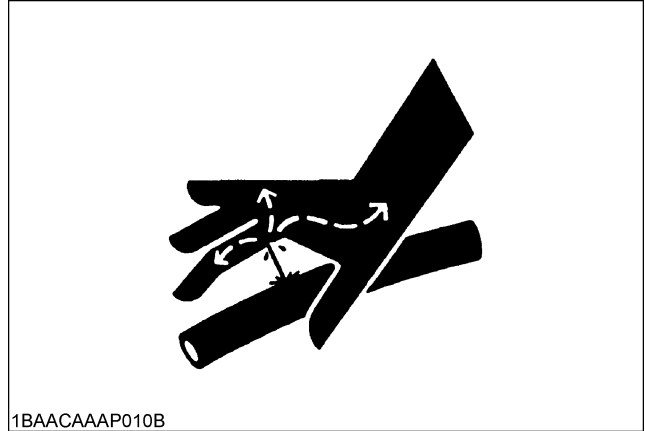
(1) Battery

10. Do not attempt to mount a tire on a rim. This should be done by a qualified person with the proper equipment.
11. Always maintain the correct tire pressure. Do not inflate tires above the recommended pressure shown in the operator's manual.

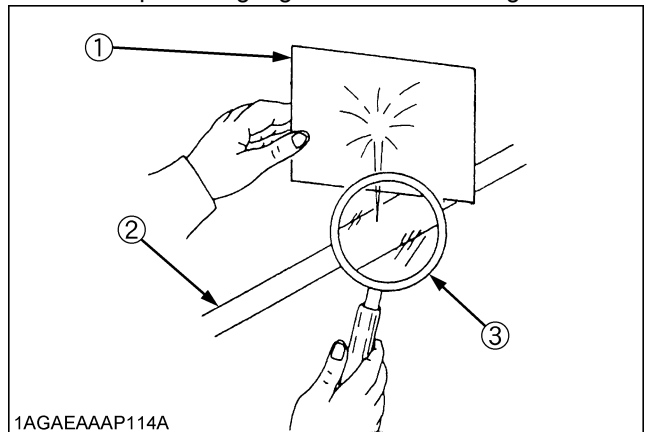


12. Securely support the tractor when either changing wheels or adjusting the wheel tread width.
13. Make sure that wheel bolts have been tightened to the specified torque.
14. Do not work under any hydraulically supported devices. They can settle, suddenly leak down, or be accidentally lowered. If it is necessary to work under tractor or any machine elements for servicing or adjustment, securely support them with stands or suitable blocking beforehand.

15. Escaping hydraulic fluid under pressure has sufficient force to penetrate skin, causing serious personal injury. Before disconnecting hydraulic lines, be sure to release all residual pressure. Before applying pressure to the hydraulic system, make sure that all connections are tight and that all lines, pipes, and hoses are free of damage.



16. Fluid escaping from pinholes may be invisible. Do not use hands to search for suspected leaks; use a piece of cardboard or wood. Use of safety goggles or other eye protection is also highly recommended. If injured by escaping fluid, see a medical doctor at once. This fluid will produce gangrene or severe allergic reaction.



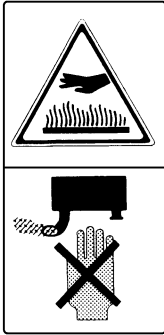
- (1) Cardboard
- (2) Hydraulic line
- (3) Magnifying glass

17. Do not open high-pressure fuel system. High-pressure fluid remaining in fuel lines can cause serious injury. Do not disconnect nor attempt to repair fuel lines, sensors, or any other components between the high-pressure fuel pump and injectors on engines with high pressure common rail fuel system.
18. To avoid hazardous high voltage, turn the key switch to the OFF position if it is necessary to check to repair the computer, harness or connectors.

19. During Diesel Particulate Filter (hereinafter called DPF) regenerating operations, exhaust gases and exhaust filter components reach temperatures hot enough to burn people, or ignite or melt common materials.
 20. Keep the tractor away from people, animals or structures which may be susceptible to harm or damage from hot exhaust gases.
 21. To prevent fires, keep the DPF muffler and its surroundings clear of anything flammable and keep clean at all times.
 22. During regeneration, white exhaust gas may be visible. Do not allow regeneration in a non-ventilated space.
 23. During regeneration, do not leave the tractor.
-

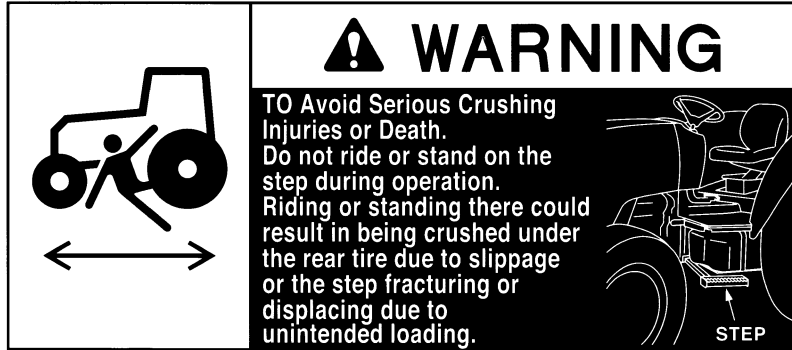
7. DANGER, WARNING AND CAUTION LABELS

(1) Part No. TA040-4958-2
Do not touch hot surface like muffler, etc.



1AGAMAAAP2400

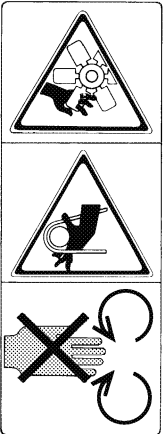
(2) Part No. 3A111-9801-1



1AGAIDHAP099A

(4) Part No. TA040-4965-2

(3) Part No. 6C090-4958-2
Do not get your hands close to engine fan and fan belt.



1AGAIAZAP110A



1AGAIAZAP009A

(5) Part No. K3512-4719-1 (6) Part No. TC660-9861-1

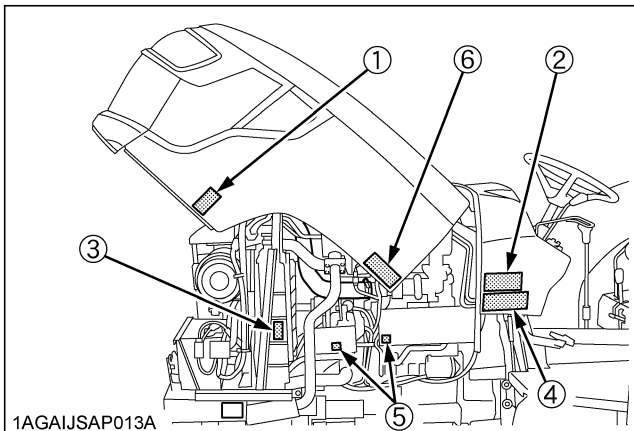
Do not touch hot surface like muffler, etc.



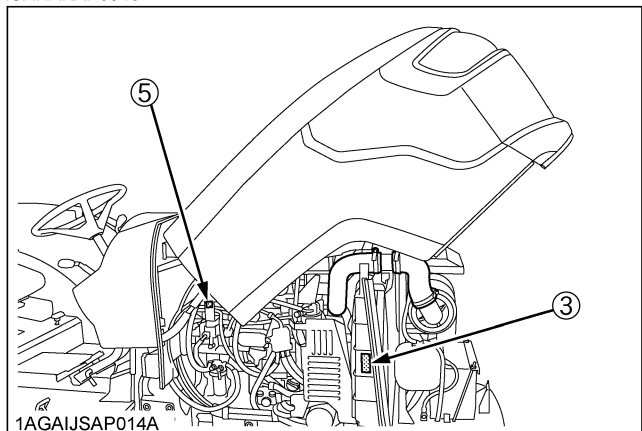
1BDABANAP080A



1AGAHAKAP0510



1AGAIJSAP013A



1AGAIJSAP014A

1AGAIJSAP009A

(1) Part No. TD060-3012-3

 FLAMMABLES	 SHIELD EYES	 KEEP OUT OF THE REACH OF CHILDREN	 CAUTIOUS OF SULFURIC ACID	 READ INSTRUCTION MANUAL CAREFULLY	 EXPLOSIVE
<p>DANGER</p> <p>• DUE TO HYDROGEN GAS GENERATED FROM BATTERY, HANDLING WITHOUT CARE CAN CAUSE FIRE AND EXPLOSION</p> <p>• THIS 12V BATTERY IS ONLY FOR STARTING ENGINE. DO NOT APPLY THIS PRODUCT FOR OTHER USES.</p> <p>• CHARGE THIS BATTERY ONLY AT WELL VENTILATED PLACES AND AVOID SHORTS OR SPARKS.</p> <p>• REFER TO THE INSTRUCTION MANUAL OF VEHICLE OR BATTERY BEFORE USING BOOSTER CABLE.</p> <p>SULFURIC ACID MAY CAUSE BLINDNESS OR SEVERE BURN. IN CASE EYES, SKIN, CLOTHES OR ANY ARTICLES ARE STAINED WITH ACID, FLUSH OBJECTS IMMEDIATELY WITH WATER. IF ACID BEING SWALLOWED, DRINK PLENTY OF WATER PROMPTLY. IN CASE OF ACCIDENTAL CONTACT, CONSULT A DOCTOR IMMEDIATELY.</p> <p>• BATTERY FILLED WITH ACID (DO NOT TILT OR SPILL) • FLAMMABLE. DO NOT CHARGE NEAR FIRE OR SPARKS</p> <p>• DO NOT CHARGE RAPIDLY • DO NOT DISASSEMBLE THE BATTERY (SEALED TYPE)</p>					
<p>DANGER EXPLOSIVE GASES Cigarettes, flames or sparks could cause battery to explode. Always shield eyes and face from battery. Do not charge or use booster cables or adjust post connections without proper instruction and training.</p> <p>POISON CAUSES SEVERE BURNS Contains sulfuric acid. Avoid contact with skin, eyes or clothing. In event of accident flush with water and call a physician immediately.</p> <p>KEEP OUT OF REACH OF CHILDREN</p>					
<p>PROPOSITION 65 WARNING BATTERY POSTS, TERMINALS, AND RELATED ACCESSORIES CONTAIN LEAD AND LEAD COMPOUNDS. CHEMICALS KNOWN TO THE STATE OF CALIFORNIA TO CAUSE CANCER AND REPRODUCTIVE HARM. WASH HANDS AFTER HANDLING.</p>					
<p>80D26R 12V 582CCA (SAE) 70Ah(20HR) 550CCA (EN) RC 133(MIN)</p>					
<p>FITTING DATE: 0 1 2 3 4 5 6 7 8 9 YEAR 1 2 3 4 5 6 7 8 9 10 11 12 MONTH</p>					
<p>S.O.C INDICATOR: OK CHARGE BATTERY REPLACE BATTERY</p>					
<p>RECYCLE LEAD RECYCLE DK 86493</p>					

1AGASABAP108A

(2) Part No. 6C540-9554-1

⚠ WARNING

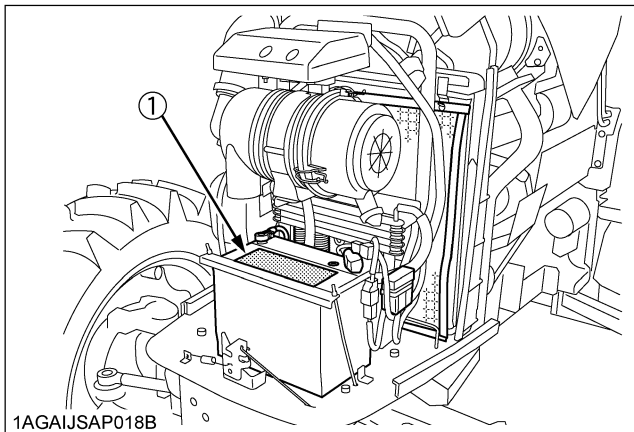
Never modify or repair a ROPS because welding, grinding, drilling or cutting any portion may weaken the structure.

⚠ WARNING

TO AVOID PERSONAL INJURY OR DEATH WHEN RAISING OR FOLDING ROPS :

- Set parking brake and stop engine.
- Remove any obstruction that may prevent raising or folding of the ROPS.
- Do not allow any bystanders.
- Always perform function from a stable position at the rear of the tractor.
- Hold the top of the ROPS securely when raising or folding.
- Make sure all pins are installed and locked.

1AGAHAKAP0320



1AGAIJSAP018B

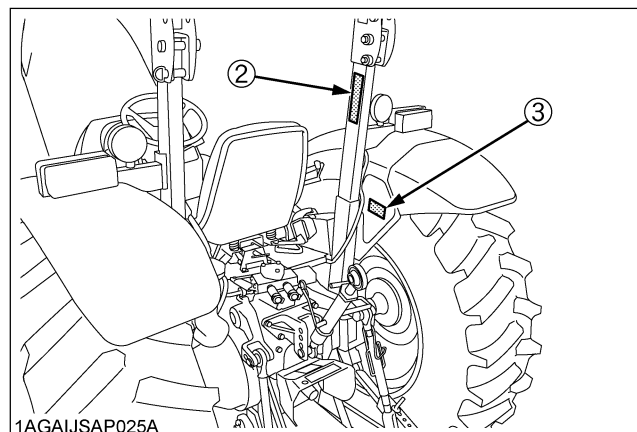
(3) Part No. 3C111-9856-1

⚠ WARNING

TO AVOID PERSONAL INJURY OR DEATH FROM SEPARATION:

DO NOT EXTEND LIFT ROD BEYOND THE GROOVE ON THE THREADED ROD.

1AGAIJSAP024A



1AGAIJSAP025A

1AGAIJSAP010A

(1) Part No. TC660-4997-1

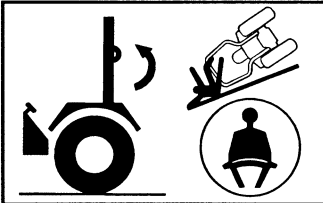
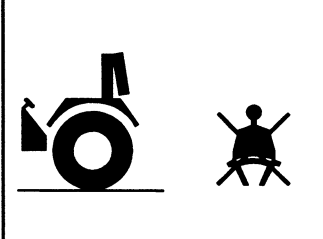
▲ WARNING

TO AVOID PERSONAL INJURY OR DEATH:

1. Read and understand the operator's manual before operation.
2. Before starting the engine, make sure that everyone is at a safe distance from the tractor and that the PTO is OFF.
3. Do not allow passengers on the tractor at any time.
4. Before allowing other people to use the tractor, have them read the operator's manual.
5. Check the tightness of all nuts and bolts regularly.
6. Keep all shields in place and stay away from all moving parts.
7. Lock the two brake pedals together before driving on the road.
8. Slow down for turns, or rough roads, or when applying individual brakes.
9. On public roads use SMV emblem and hazard lights, if required by local traffic and safety regulations.
10. Pull only from the drawbar.
11. Before dismounting, lower the implement to the ground, set the parking brake, stop the engine and remove the key.
12. Securely support tractor and implements before working underneath.

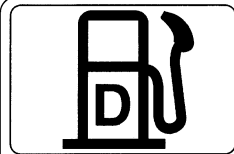

1AGAHAKAP0460

(2) Part No. 3A111-9848-2

	<p style="text-align: center;">▲ WARNING</p> <p>TO AVOID INJURY OR DEATH FROM ROLL-OVER:</p> <ul style="list-style-type: none"> • Keep Roll-Over Protective Structures (ROPS) in the upright and locked position. • Fasten SEAT BELT before operating.
	<p>THERE IS NO OPERATOR PROTECTION WHEN THE ROPS IS IN THE FOLDED POSITION.</p> <ul style="list-style-type: none"> • Check the operating area and fold the ROPS only when absolutely necessary. • Do not wear SEAT BELT if ROPS is folded. • Raise and lock ROPS as soon as vertical clearance allows. • Read ROPS related instructions and warnings.

1AGAIIDCAP066E

(3) Part No. TC420-4956-1

Diesel fuel only	No fire
	
ULTRA LOW SULFUR DIESEL FUEL ONLY	

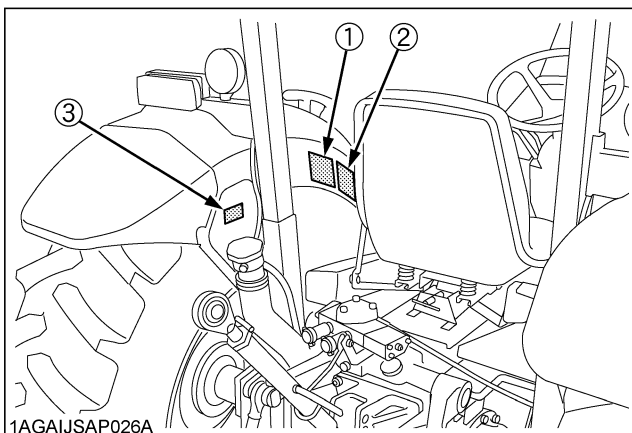
1AGAIIDHAP154E

(4) Part No. 3F240-9857-1

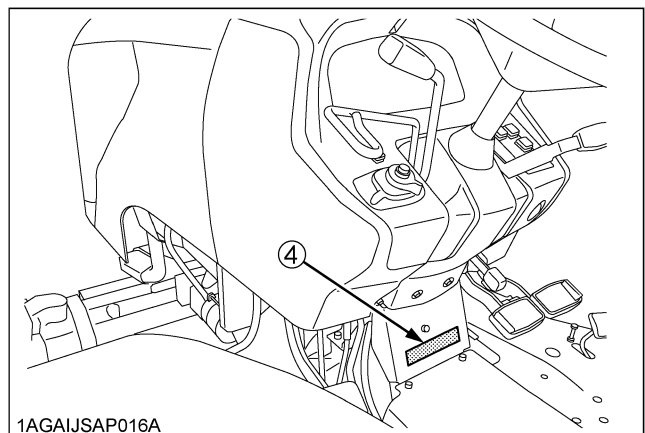
▲ WARNING

To avoid free wheeling when shifting the shuttle lever while on a slope: Stop completely by using the brake and by depressing the clutch pedal. Start off after selecting shuttle direction by releasing the clutch pedal.

1AGAIIDAP039A



1AGAIJSAP026A



1AGAIJSAP016A


1AGAIJSAP011A

(1) Part No. 6C150-4743-1

	<p>⚠ WARNING</p> <p>BEFORE DISMOUNTING TRACTOR:</p> <ol style="list-style-type: none"> 1. ALWAYS SET PARKING BRAKE. Leaving transmission in gear with the engine stopped will not prevent tractor from rolling. 2. PARK ON LEVEL GROUND WHENEVER POSSIBLE. If parking on a slope, position tractor across the slope. 3. LOWER ALL IMPLEMENTS TO THE GROUND. 4. STOP THE ENGINE.
---	---


1AGAIBDAP040E

(2) Part No. TA040-4935-1

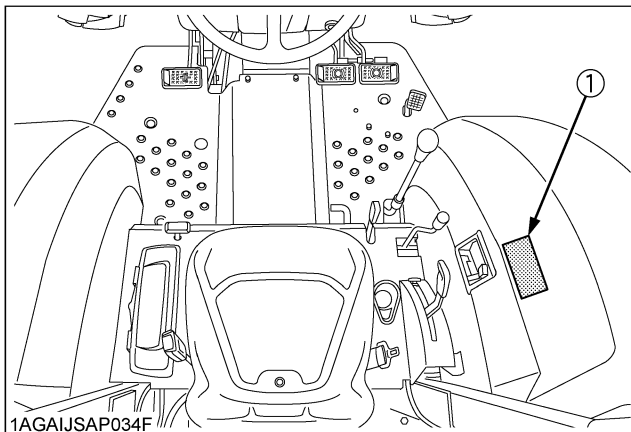
	<p>⚠ WARNING</p> <p>TO AVOID PERSONAL INJURY:</p> <ol style="list-style-type: none"> 1. Attach pulled or towed loads to the drawbar only. 2. Use the 3-point hitch only with equipment designed for 3-point hitch usage.
---	--

1AGAIAZAP056A

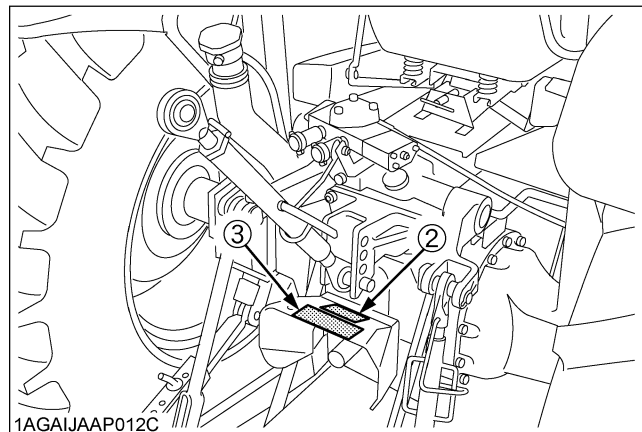
(3) Part No. TA040-4959-3

	<p>⚠ WARNING</p> <p>TO AVOID PERSONAL INJURY.</p> <ol style="list-style-type: none"> 1. Keep PTO shield in place at all times. 2. Do not operate the PTO at speeds faster than the speed recommended by the implement manufacturer. 3. For trailing PTO-driven implements, set drawbar at towing position. (see operator's manual)
---	---

1AGAIAZAP116A



1AGAIJSAP034F



1AGAIJAP012C

1AGAIJSAP012A

8. CARE OF DANGER, WARNING AND CAUTION LABELS

1. Keep danger, warning and caution labels clean and free from obstructing material.
2. Clean danger, warning and caution labels with soap and water, dry with a soft cloth.
3. Replace damaged or missing danger, warning and caution labels with new labels from your local KUBOTA Dealer.
4. If a component with danger, warning and caution label(s) affixed is replaced with new part, make sure new label(s) is (are) attached in the same location(s) as the replaced component.
5. Mount new danger, warning and caution labels by applying on a clean dry surface and pressing any bubbles to outside edge.

SERVICING OF TRACTOR

Your dealer is interested in your new tractor and has the desire to help you get the most value from it. After reading this manual thoroughly, you will find that you can do some of the regular maintenance yourself.

However, when in need of parts or major service, be sure to see your KUBOTA Dealer.

For service, contact the KUBOTA Dealership from which you purchased your tractor or your local KUBOTA Dealer.

When in need of parts, be prepared to give your dealer the tractor, CAB/ROPS and engine serial numbers.

Locate the serial numbers now and record them in the space provided.

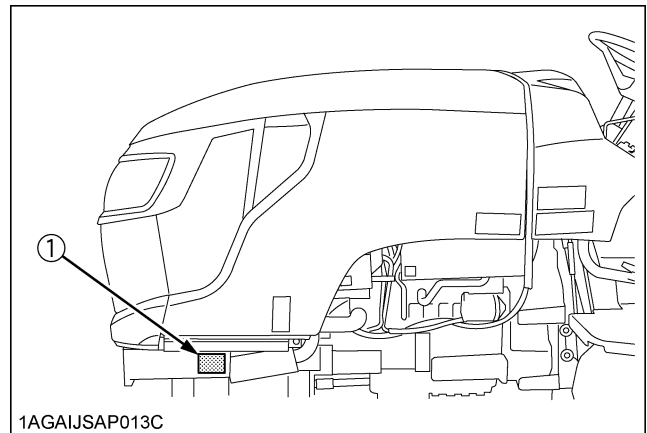
	Type	Serial No.
Tractor		
CAB / ROPS		
Engine		
Date of Purchase		
Name of Dealer		
(To be filled in by purchaser)		

◆ **Warranty**

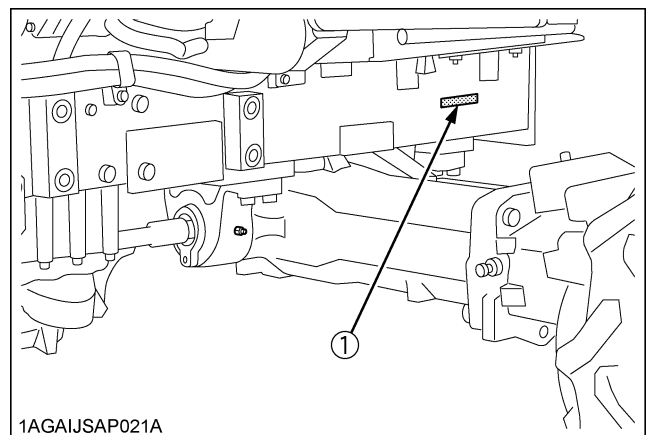
This tractor is warranted under the KUBOTA Limited Express Warranty, a copy of which may be obtained from your selling dealer. No warranty shall, however, apply if the tractor has not been handled according to the instruction given in the Operator's Manual even it is within the warranty period.

◆ **Scrapping the tractor and its procedure**

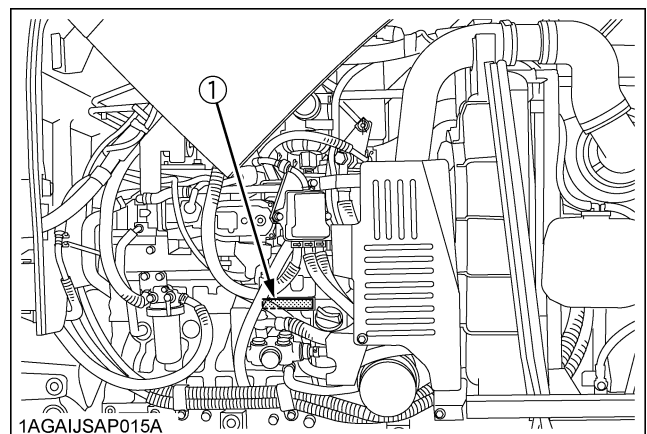
To put the tractor out of service, correctly follow the local rules and regulations of the country or territory where you scrap it. If you have questions, consult your local KUBOTA Dealer.



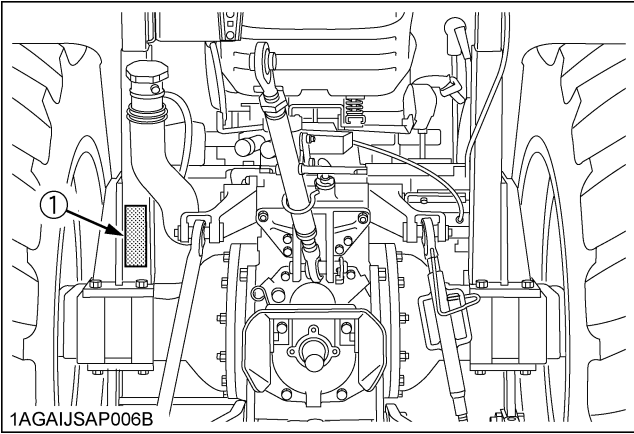
(1) Tractor identification plate



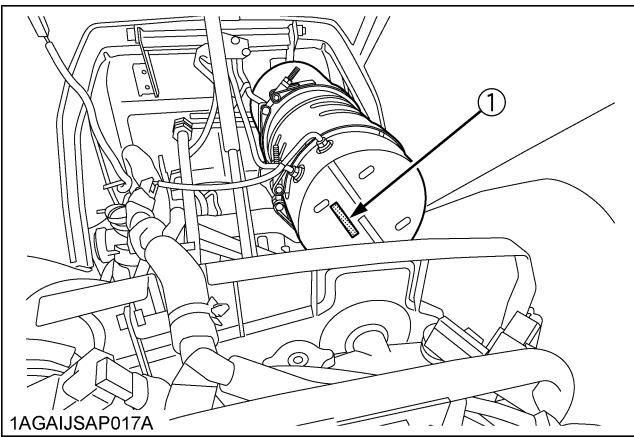
(1) Tractor serial number



(1) Engine serial number



(1) ROPS identification plate (ROPS Serial No.)



(1) Diesel Particulate Filter (DPF) serial number

SPECIFICATIONS

SPECIFICATION TABLE

Model			M5660SU		
			2WD	4WD	
Engine	Model		V2403-CR-TE4		
	Type		4 cylinder in-line, Common Rail System, direct Injection		
	Total displacement	cm ³ (cu.in.)	2434 (148.5)		
	Bore and stroke	mm (in.)	87 x 102.4 (3.4 x 4)		
	Rated revolution	rpm	2600		
	Low idling revolution	rpm	950 to 1000		
	Rated Engine HP (97/68/EC)	kW (HP)	43.2 (57.9) @ 2600		
	Net power *1 (SAE J1349)	kW (HP)	41.8 (56) @ 2600		
	PTO power *1 (at rated engine RPM)	kW (HP)	37.3 (50)		
	Maximum torque	N-m (ft-lbs) / rpm	193.6 (142.8) / 1500 to 1700		
	Battery capacity		12V, RC: 133 min, CCA 582A		
	Fuel tank capacity	L (U.S.gals.)	67 (17.7)		
	Engine oil capacity	L (U.S.qts.)	7.2 (7.6)		
	Coolant capacity	L (U.S.qts.)	8 (8.5)		
Dimensions	Overall length	mm (in.)	3525 (138.7)	3455 (136)	
	Overall width (minimum tread)	mm (in.)	1860 (73.2)		
	Overall height	mm (in.)	2420 (95.3)		
	Wheel base	mm (in.)	2085 (82)	2050 (81)	
	Tread	Front	mm (in.)	1420, 1520 (55.9, 59.8)	1300, 1400 (51.2, 55.1)
		Rear	mm (in.)	1320 to 1720 (52.0 to 67.7)	
	Minimum ground clearance	mm (in.)	415 (16.3)		
Weight	kg (lbs.)	1900 (4189)	1990 (4387)		

4 SPECIFICATIONS

Model			M5660SU		
			2WD	4WD	
Traveling system	Standard tire size	Front tires	6.5-16	8.3-24	
		Rear tires	14.9-28 *2		
	Clutch		Multiple wet disc		
	Steering		Hydraulic Power Steering		
	Braking system		Multiple wet disks mechanical		
	Differential		Bevel gears with differential lock (Rear)		
Hydraulic unit	Hydraulic control system		Position control		
	Pump capacity	L (U.S.gals.) / min	40.2 (10.6)		
	3-point hitch		Category 1 and 2		
	Max. lifting force	At lifting points	kg (lbs.)	1900 (4189) At lower link end with links horizontal	
		24 in. behind lifting point	kg (lbs.)	1500 (3307)	
	Remote hydraulic control		1 standard (2nd & 3rd valve optional)		
	System pressure	MPa (kgf/cm ²)	19.1 (195)		
Traction system		Swinging drawbar, adjustable in direction			
PTO	Live PTO (Independent)	Direction of turning		Clockwise, viewed from tractor rear	
		PTO/ Engine speed	rpm	6 spline: 540 / 2295	







The company reserves the right to change the specifications without notice.

NOTE: *1 Manufacturer's estimate

*2 Cast iron disks available for wheels.

TRAVELING SPEEDS

(At rated engine rpm)

Model			M5660SU	
Tire size (Rear)			14.9-28	
Shuttle shift lever	Range gear shift lever	Main gear shift lever	km/h	mph
Forward 		1	2.6	1.6
		2	3.6	2.2
		3	5.1	3.1
		4	7.7	4.8
		1	9.7	6.1
		2	13.7	8.5
		3	19.2	12.0
		4	29.3	18.2
Reverse 		1	2.6	1.6
		2	3.7	2.3
		3	5.2	3.2
		4	7.8	4.9
		1	9.9	6.2
		2	14.0	8.7
		3	19.6	12.2
		4	29.9	18.6

The company reserves the right to change the specifications without notice.

IMPLEMENT LIMITATIONS

The KUBOTA Tractor has been thoroughly tested for proper performance with implements sold or approved by KUBOTA. Use with implements which are not sold or approved by KUBOTA and which exceed the maximum specifications listed below, or which are otherwise unfit for use with the KUBOTA Tractor may result in malfunctions or failures of the tractor, damage to other property and injury to the operator or others. [Any malfunctions or failures of the tractor resulting from use with improper implements are not covered by the warranty.]

	Tread (max. width) with farm tires			Lower link end max. lifting capacity: W 0
	Front		Rear	
	2WD	4WD		
M5660SU	1820 mm (71.7 in.)	1430 mm (56.3 in.)	1720 mm (67.7 in.)	1900 kg (4190 lbs.)

	Implement weight: W 1 and / or size	Max. Drawbar Load: W 2	Trailer loading weight: W 3 Max. capacity	
			2WD	4WD
M5660SU	As in the following list (Shown on the next page)	1000 kg (2200 lbs.)	4000 kg (8800 lbs.)	4500 kg (9900 lbs.)

Lower link end max, hydraulic lifting capacity.....W 0
 Implement weight.....The implement's weight which can be put on the lower link: W 1
 Max. drawbar load.....W 2
 Trailer loading weight.....The max. loading weight for trailer (without trailer's weight): W 3

1AGAI AZAP121B

NOTE :

- Implement size may vary depending on soil operating conditions.
- Strictly follow the instructions outlined in the operator's manual of the mounted or trailed machinery or trailer, and do not operate the combination tractor - machine or tractor - trailer unless all instructions have been followed
- Forestry Application
 Following hazards exist;
 - (a) toppling trees, primarily in case a rear-mounted tree grab-crane is mounted at the rear of the tractor;
 - (b) penetrating objects in the operator's enclosure, primarily in case a winch is mounted at the rear of the tractor.
 Optional equipments such as OPS (Operator Protective Structure), FOPS (Falling Object Protective Structure), etc. to deal with these hazards and other related hazards are not available for this tractor. Without such optional equipment use is limited to tractor specific applications like transport and stationary work.

No.	Implement		Remarks		M5660SU	
					2WD	4WD
1	Slurry Tank		Max. Tank Capacity	L (gals.)	3000 (790)	
			Max. Load Capacity	kg (lbs.)	4000 (8800)	
2	Trailer		Max. Load Capacity	kg (lbs.)	4000 (8800)	4500 (9900)
			Max. Drawbar Load	kg (lbs.)	1000 (2200)	
3	Mower	Rotary Cutter	Max. Cutting Width	mm (in.)	2130 (84)	
			Max. Weight	kg (lbs.)	540 (1200)	
		Flail Mower (Heavy)	Max. Cutting Width	mm (in.)	3050 (120)	
			Max. Weight	kg (lbs.)	800 (1760)	
Sickle Bar	Max. Cutting Width	mm (in.)	2130 (84)			
4	Sprayer		Max. Tank Capacity	Mid	L (gals.) 680 (180)	
				Rear 3P	L (gals.) 680 (180)	
				Drawbar	L (gals.)	3000 (800)
5	Rotary Tiller		Max. Tilling Width	mm (in.)	2130 (84)	
			Max. Weight	kg (lbs.)	800 (1760)	
6	Moldboard Plow		Max. Size		16 in. x 2 18 in. x 1	14 in. x 3 16 in. x 2 18 in. x 1
			Max. Weight	kg (lbs.) 3P Type	450 (1000)	
7	Disk harrow	3P Type	Max. Size	18 in. x 24		
			Max. Harrowing Width	mm (in.)	2130 (84)	
			Max. Weight	kg (lbs.)	450 (1000)	
		Drawbar Type	Max. Harrowing Width	mm (in.)	2450 (96)	2750 (108)
8	Disc Plow		Max. Size	24 in. x 3 26 in. x 2		
			Max. Weight	kg (lbs.)	450 (1000)	
9	Sub Soiler		Numbers of Cultivating Tines	2		
			Cultivating Depth	mm (in.)	300 (12)	400 (16)
10	Cultivator		Max. Width	mm (in.)	3050 (120)	3660 (144)
			Number of Rows	4		
			Max. Weight	kg (lbs.)	450 (1000)	
11	Front Blade *1, *2		Max. Cutting Width	mm (in.)	1820 (72)	
			Max. Oil Pressure	MPa (psi.)	19.6 (2842)	
12	Rear Blade		Max. Cutting Width	mm (in.)	1820 (72)	
			Max. Oil Pressure	MPa (psi.)	19.6 (2842)	
13	Front Loader *1, *2		Max. Lifting Capacity	kg (lbs.)	1150 (2535)	
			Max. Oil Pressure (Bucket Pivot Pin, Max. Height)	MPa (psi.)	19.6 (2842)	
14	Box Blade		Max. Cutting Width	mm (in.)	1820 (72)	
			Max. Weight	kg (lbs.)	450 (1000)	
15	Back Hoe *2		Max. Digging Depth	mm (in.)	2530 (100)	
			Max. Weight	kg (lbs.)	900 (2000)	
16	Snow Blade		Max. Width	mm (in.)	1820 (72)	
			Max. Weight	kg (lbs.)	450 (1000)	

NOTE :

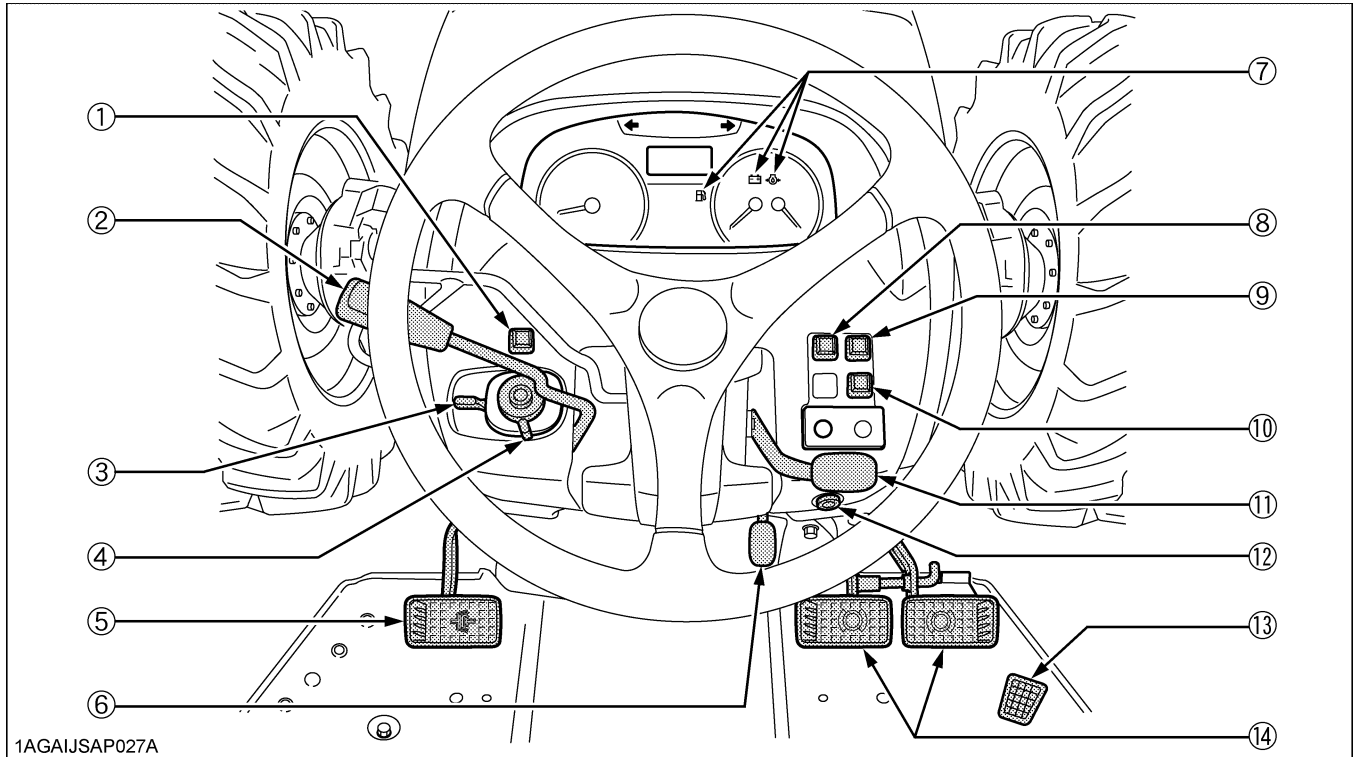
● Implement size may vary depending on soil operating conditions.

*1 Must remove front weight with this implement.

*2 Need subframe

INSTRUMENT PANEL AND CONTROLS

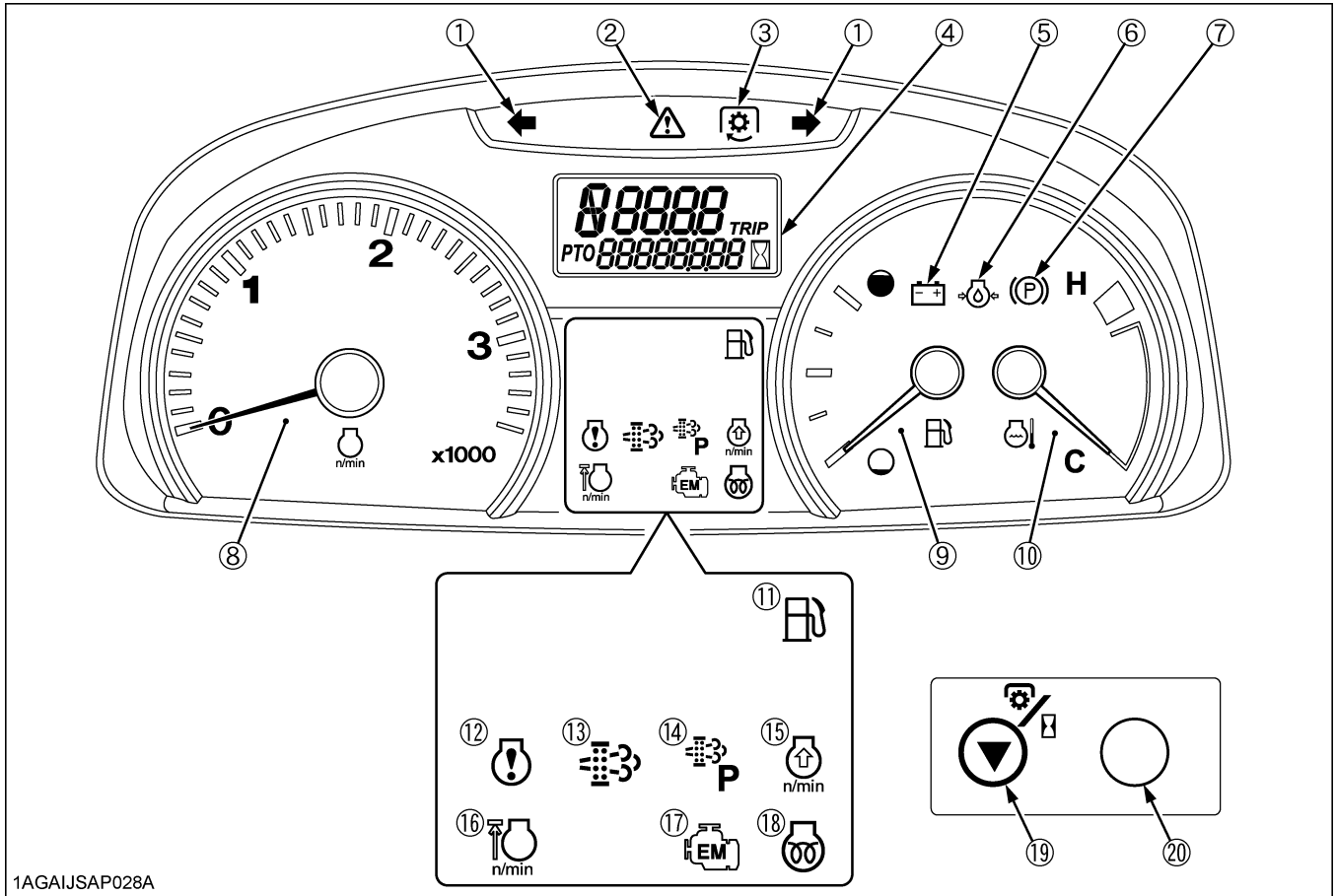
■ Instrument Panel, Switches and Hand Controls



1AGAIJSAP027A

ILLUSTRATED CONTENTS

(1) Constant RPM management switch	38
(2) Hydraulic-shuttle shift lever	31
(3) Turn signal light switch	27
(4) Head light switch	27
(5) Clutch pedal	29
(6) Parking brake lever	19,38
(7) Easy Checker(TM)	32
(8) Parked regeneration switch	12
(9) DPF INHIBIT switch	12
(10) Hazard light switch	27
(11) Hand throttle lever	32
(12) Key switch	-
(13) Foot throttle	32
(14) Brake pedal	28



1AGAIJSAP028A

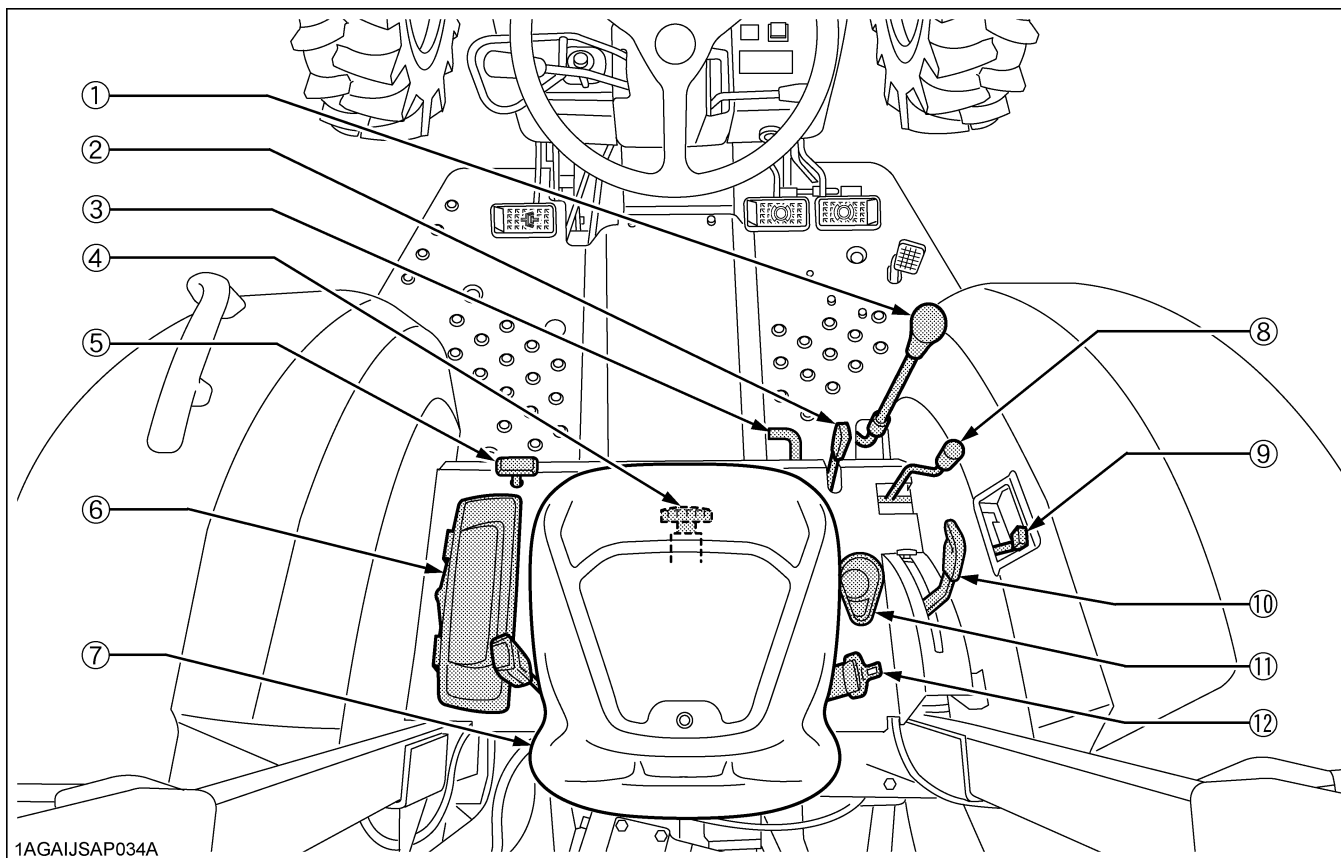
ILLUSTRATED CONTENTS

(1) Hazard / Turn signal indicator	27
(2) Master system warning indicator	32
(3) PTO clutch indicator	41
(4) Liquid crystal display.....	35
(5) Electrical charge warning indicator	32
(6) Engine oil pressure warning indicator	32
(7) Parking brake warning indicator	19
(8) Tachometer	34
(9) Fuel gauge	33
(10) Coolant temperature gauge	34

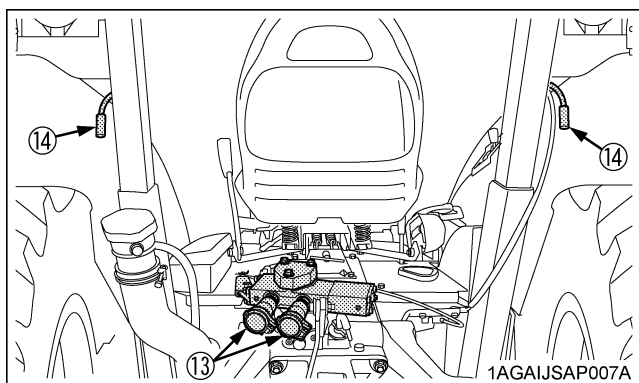
ILLUSTRATED CONTENTS

(11) Fuel level indicator	32
(12) Engine warning indicator	32
(13) Regeneration indicator	12
(14) Parked regeneration indicator	12
(15) Engine RPM increase indicator	12
(16) Rev-limiter indicator	42
(17) Emission indicator	32
(18) Heater indicator	22
(19) PTO / Hour meter select switch	35
(20) Select switch	35

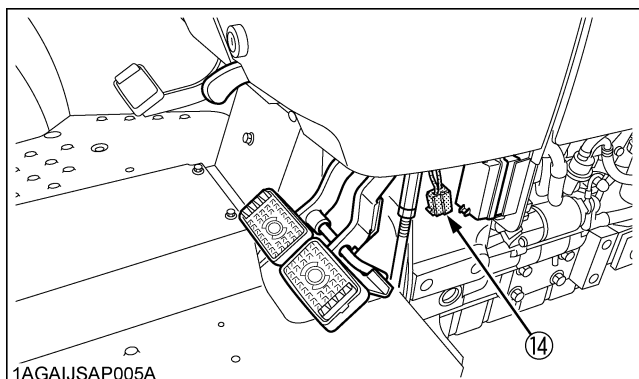
■ Foot and Hand Controls



1AGAIJSAP034A



1AGAIJSAP007A



1AGAIJSAP005A

ILLUSTRATED CONTENTS

(1) Main gear shift lever	30
(2) Range gear shift lever	30
(3) Differential lock pedal	39
(4) 3-Point hitch lowering speed knob	48
(5) Front wheel drive lever	31
(6) Tool box	-
(7) Operator's seat	26
(8) Remote control valve lever	49
(9) PTO clutch control lever	41
(10) Position control lever	48
(11) Cup holder	-
(12) Seat belt	27
(13) Remote control valve coupler	49
(14) Electrical outlet	40

PRE-OPERATION CHECK

DAILY CHECK

To prevent trouble from occurring, it is important to know the condition of the tractor well. Check it before starting.



WARNING

To avoid personal injury or death:

- **Be sure to check and service the tractor on a level surface with the engine shut off and the parking brake "ON" and implement lowered to the ground.**

Check item

- Walk around inspection
- Check engine oil level
- Check transmission oil level
- Check coolant level
- Check water separator
- Clean grill and radiator screen
- Clean oil cooler
- Clean fuel cooler
- Check DPF muffler
- Check air cleaner evacuator valve
(When used in a dusty place)
- Check air cleaner dust indicator
(When used in a dusty place)
- Check brake pedal
- Check indicators, gauges and meter
- Check lights
- Check seat belt and ROPS
- Check movable parts
- Refuel
(See "DAILY CHECK" in "PERIODIC SERVICE" section.)
- Care of danger, warning and caution labels
(See "DANGER, WARNING AND CAUTION LABELS" in "SAFE OPERATION" section.)

OPERATING THE ENGINE



WARNING

To avoid personal injury or death:

- Read "Safe Operation" in the front of this manual.
- Read the danger, warning and caution labels located on the tractor.
- To avoid the danger of exhaust fume poisoning, do not operate the engine in a closed building without proper ventilation.
- Never start engine while standing on ground. Start engine only from operator's seat.
- Make it a rule to set all shift levers to the "NEUTRAL" positions and to place PTO clutch control switch in "OFF" position before starting the engine.

IMPORTANT :

- Do not use starting fluid or ether.
- To protect the battery and the starter, make sure that the starter is not continuously turned for more than 10 seconds.

EXHAUST AFTERTREATMENT DEVICES



WARNING

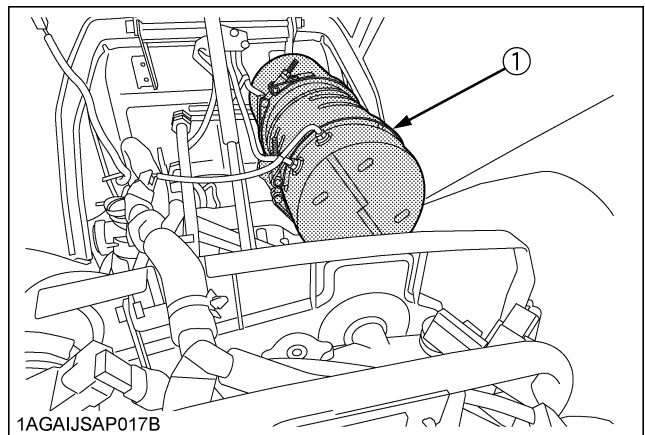
To avoid personal injury or death:

- During Diesel Particulate Filter (DPF) regenerating operations, exhaust gases and exhaust filter components reach temperatures hot enough to burn people, or ignite or melt common materials.
- Keep tractor away from people, animals or structures which may be susceptible to harm or damage from hot exhaust gases.
- During regeneration, white exhaust gases may be visible. Do not allow regeneration in a non ventilated garage or confined area.
- During regeneration, do not leave the tractor.

■ Diesel Particulate Filter (DPF) Muffler

This tractor is equipped with an engine with a DPF (Diesel Particulate Filter) muffler which serves to reduce hydrocarbons, carbon monoxide and other toxic gases, all of which are contained in diesel engine emissions, to harmless carbon dioxide and water. The DPF also traps PM (particulate matter).

Please handle exhaust aftertreatment devices correctly and in an environmentally responsible manner.



1AGAIJSAP017B

(1) Diesel Particulate Filter (DPF)

■ Handling Points

When a specific amount of PM (particulate matter) has accumulated in the DPF muffler, it is necessary to refresh the DPF muffler by burning the PM inside it. This burning off work is called "Regeneration".

To extend operating time to reach this regeneration, and to avoid DPF muffler trouble, make sure to observe the following handling matters.

◆ Fuel

Be sure to use Ultra Low Sulfur Fuel (S15).

IMPORTANT :

- Use of diesel fuel other than Ultra Low Sulfur Fuel may adversely affect the engine and DPF performance.
Use of fuels other than Ultra Low Sulfur Fuel (S15) may not meet regulations for your region.

◆ Engine oil

Use DPF-compatible oil (CJ-4) for the engine.

IMPORTANT :

- If any engine oil other than CJ-4 is used, the DPF may become clogged earlier than expected and the fuel economy may drop.

◆ Prohibition of unnecessary idling operation

Generally, the lower the engine speed, the lower the exhaust gas temperature is, so the PM contained in exhaust gas will not be burnt, and begins to accumulate. Therefore, don't idle unnecessarily.

◆ Regeneration

When there is "Regeneration" instruction sign by lamp or buzzer, immediately perform the required procedure for regeneration.

IMPORTANT :

- Interrupting the regeneration cycle or continued operation by ignoring the warning signs may cause DPF and engine damage.

■ DPF Regeneration Process

DPF regeneration process can be performed by choosing from "Auto Regeneration" or "Regeneration inhibit" mode according to your job conditions. For jobs not affected by hot gases emitted during regeneration, the "Auto Regeneration" is advisable.

◆ Auto Regeneration Mode;

When starting the engine (switch operation is unnecessary), the "Auto Regeneration" mode is automatically activated.

With the auto regeneration mode on, when a specific amount of PM has accumulated, and the regeneration conditions are satisfied (See the "Tips on Diesel Particulate Filter [DPF] Regeneration"), the DPF will be automatically regenerated whether the tractor is in motion or parked.

By this way, work efficiency is improved. For details of auto regeneration, refer to "Operating Procedure for Auto Regeneration Mode" section.

◆ Regeneration Inhibit Mode;

After starting the engine, if the "DPF INHIBIT switch" is pressed to turn on the switch lamp, the "Regeneration inhibit" mode will be activated.

With "Regeneration Inhibit" mode on, the PM which has accumulated inside the DPF will not be burnt, unless the operator performs the regeneration work manually.

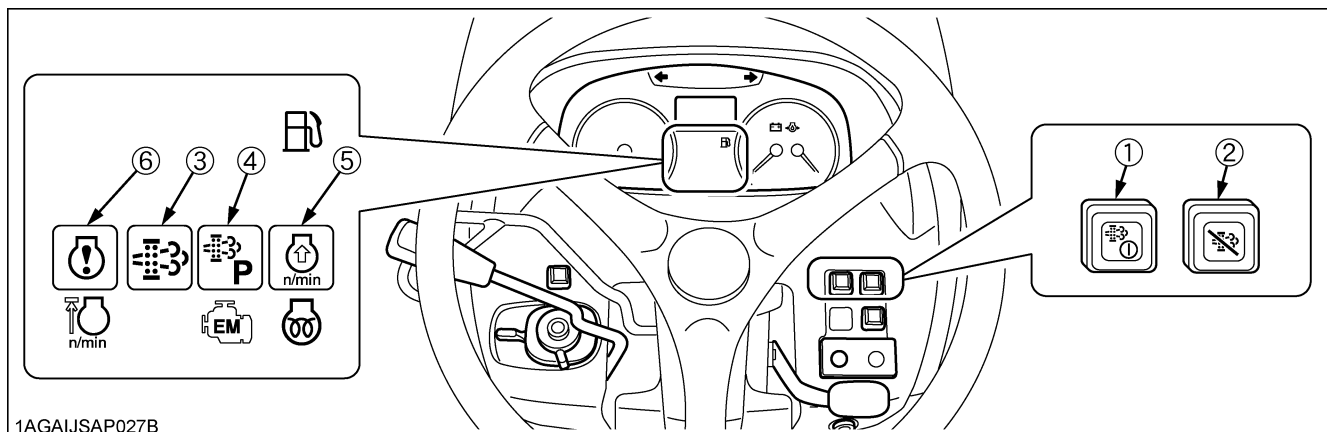
The "Regeneration Inhibit" mode is effective for work in poorly ventilated work spaces.

For details of regeneration prohibition, refer to "Operating Procedure for Regeneration Inhibit Mode" section.

NOTE :

- If stop the engine once, the "Auto Regeneration" mode will be activated.


Operating Procedure for Auto Regeneration Mode



1AGAIJSAP027B

- (1) Parked regeneration switch (3) Regeneration indicator (5) Engine RPM increase indicator
 (2) DPF INHIBIT switch (4) Parked regeneration indicator (6) Engine warning indicator

■ Regeneration Operating Procedure


1. Start the engine.
 (Make sure that the DPF INHIBIT switch lamp  is "OFF".)

Switch lamp OFF: Auto Regeneration Mode activated.

Switch lamp ON: Regeneration Inhibit Mode activated.


NOTE :

- When the engine is started, the "Auto Regeneration" mode is automatically activated.
- "Regeneration Inhibit" mode is activated, when the DPF INHIBIT switch is pushed after the engine is started.

2. When the regeneration indicator  starts flashing:

A specific amount of PM has built up in the DPF.

Continue to operate the tractor, and the regeneration process will begin automatically, make sure the working place is in a safe area as DPF and exhaust temperature will rise.

3. When the engine rpm increase indicator  starts flashing:

Keep on working and increase the engine rpm until the indicator turns "OFF".

NOTE :










- Even if the Auto Regeneration Mode is selected, DPF regeneration may not begin because system requirements have not been satisfied.
- The engine rpm increase indicator is used as a guide to satisfy the regeneration conditions. If the engine load is too heavy, the engine rpm increase indicator may continue to flash, even though regeneration system conditions are satisfied and regeneration may begin automatically. (See the "Tips on Diesel Particulate Filter [DPF] Regeneration")

■ PM Warning Level and Required Procedures

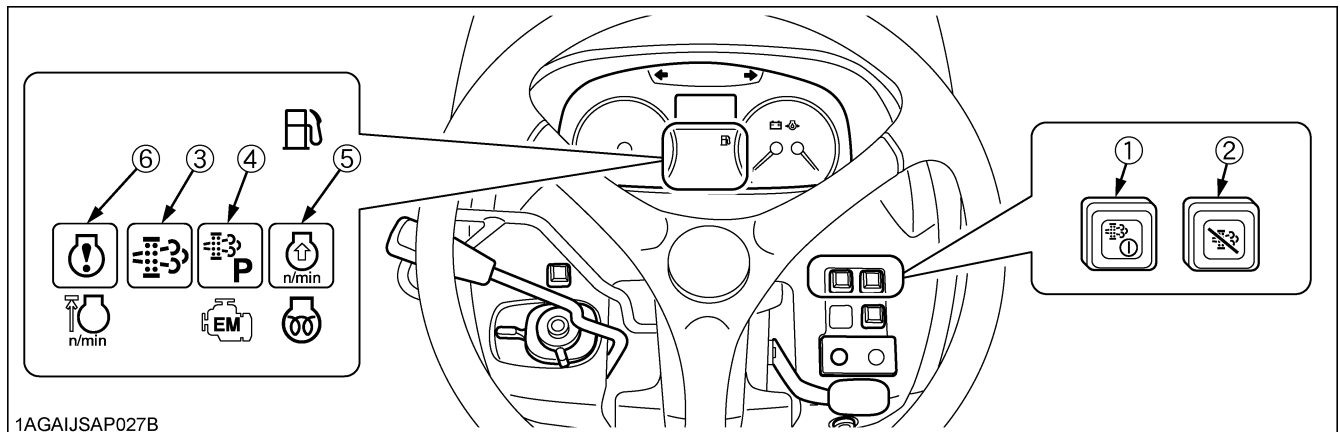
During Auto Regeneration Mode when the PM level has built up in the DPF, the regeneration cycle will begin automatically. If the regeneration cycle is interrupted or the regeneration conditions are not satisfied, the buzzer starts sounding and the indicator display changes in response to the PM level in order to prompt the operator to perform the required procedure listed below.

IMPORTANT :

- Once the regeneration level has been reached, immediately perform the required procedure for regeneration. Interrupting the regeneration cycle or continued operation by ignoring the warning signs may cause DPF and engine damage.

Auto Mode		
	DPF system status	Required procedure
PM warning level: 1 Buzzer: Not sounding	 The regeneration indicator starts flashing.  The RPM increase indicator starts flashing.  The regeneration indicator will stop flashing and remain "ON" constantly.	A specific amount of PM has accumulated in the DPF muffler. Continue to work the tractor to raise the DPF temperature. Continue the work and increase the engine rpm until the indicator turns "OFF". The regeneration cycle begins and continues until cycle is complete then the indicator will turn "OFF".
PM warning level: 2-1 Buzzer: Sounding every 5 seconds	If the regeneration cycle was interrupted or conditions are not satisfied for regeneration then DPF system is now in Level 2.  The regeneration indicator starts flashing.	Start the regeneration, referring to PM warning level: 1 above. Now the parked regeneration indicator starts flashing, and the parked regeneration can also be started. If the regeneration conditions are not met, perform the parked regeneration. <ul style="list-style-type: none"> ● For the procedure, refer to "Operating Procedure for Parked Regeneration".
PM warning level: 2-2 Buzzer: Sounding every 3 seconds	 The RPM increase indicator starts flashing.  The parked regeneration indicator starts flashing.	
PM warning level: 3 Buzzer: Sounding every 1 second Engine output: 50%	If the regeneration fails in the warning level 2:  The engine warning indicator starts flashing.  The parked regeneration indicator starts flashing.	Immediately discontinue working the tractor and begin the parked regeneration cycle process. <ul style="list-style-type: none"> ● For the procedure, refer to "Operating Procedure for Parked Regeneration". At this PM warning level, the Auto Regeneration Mode does not function. If the tractor is operated further, the regeneration cycle will be disabled.
PM warning level: 4 Buzzer: Sounding every 1 second Engine output: 50%	If the parked regeneration is interrupted or the tractor is continuously operated in the warning level 3:  The engine warning indicator remains constantly "ON".	Immediately move the tractor to a safe place and park it there and turn the engine "OFF". Contact your local KUBOTA Dealer. <ul style="list-style-type: none"> ● At this level, never continue to operate the tractor otherwise damage will result to the DPF and engine.

Operating Procedure for Regeneration Inhibit Mode




1AGAIJSAP027B

- (1) Parked regeneration switch (3) Regeneration indicator (5) Engine RPM increase indicator
 (2) DPF INHIBIT switch (4) Parked regeneration indicator (6) Engine warning indicator

■ Regeneration Operating Procedure

1. Start the engine.
2. Press the DPF INHIBIT switch , and the switch lamp illuminates.

Switch lamp ON: Regeneration Inhibit Mode selected.
 Switch lamp OFF: Auto Regeneration Mode selected.

3. When the parked regeneration indicator  starts flashing:








A specific amount of PM has accumulated in the DPF muffler.
 Move the tractor to a safe place and activates the DPF muffler. Follow the "Operating Procedure for Parked Regeneration" procedure.

■ PM Warning Level and Required Procedures






In the Regeneration Inhibit Mode, the buzzer starts sounding and the indicator display changes in response to the PM level in order to prompt the operator to perform the required procedure listed below.

IMPORTANT :

- Once the regeneration level has been reached, immediately perform the required procedure for regeneration. Interrupting the regeneration cycle or continued operation by ignoring the warning signs may cause DPF and engine damage.

Regeneration Inhibit Mode		
	DPF system status	Required procedure
PM warning level: 1 Buzzer: Not sounding	 The regeneration indicator starts flashing.	A specific level of PM has built up in the DPF muffler. Continue with the operation as it is.
	 At PM warning levels range from 1 to 2-2, it is also possible to change DPF INHIBIT switch to auto regeneration mode then perform regeneration.	
PM warning level: 2-1 Buzzer: Sounding every 5 seconds	 The regeneration indicator starts flashing.	Move the tractor to a safe area, then follow the "Operating Procedure for Parked Regeneration".
PM warning level: 2-2 Buzzer: Sounding every 3 seconds	 The Parked regeneration indicator starts flashing.	
PM warning level: 3 Buzzer: Sounding every 1 second Engine output: 50%	If the parked regeneration cycle is interrupted or the tractor is continuously operated in the PM warning level 2:	
	 The engine warning indicator starts flashing.  The parked regeneration indicator starts flashing	Immediately stop working the tractor, move the tractor to a safe area, then follow the "Operating Procedure for Parked Regeneration". If the tractor is operated further and the operator ignores the warning signs, then regeneration will be disabled.
PM warning level: 4 Buzzer: Sounding every 1 second Engine output: 50%	If the regeneration cycle is interrupted or the tractor is continuously operated ignoring the warning signs, in the PM warning level 3:	
	 The engine warning indicator remains constantly "ON".	Immediately move the tractor to a safe place and place in park, turn "OFF" engine. Contact your local KUBOTA Dealer. <ul style="list-style-type: none"> ● At this level never continue to operate the tractor, otherwise damage may result to the DPF and engine.

Operating Procedure for Parked Regeneration

1. Park the tractor in a safe area away from buildings, people, and animals.
2. Apply the parking brake.
3. Set the shuttle shift lever to the neutral position.
4. Set the PTO clutch control lever to the "OFF" position.
5. Return the engine rpm to the idle speed.
6. Lower the implement to the ground.
7. Press the DPF INHIBIT switch , and the switch lamp turns "OFF".
8. When the regeneration conditions are satisfied (2 to 5 and 7 mentioned above), the parked regeneration switch lamp  start flashing.
9. Press the parked regeneration switch  to start the regeneration cycle.
(The switch lamp will stop flashing and remain "ON" constantly during the cycle.)
10. The engine rpm will automatically rise, and the regeneration process will begin.
11. Both indicators   stay "ON" while regenerating the DPF.
They turn "OFF" when the cycle is complete.
12. After the lamp turns "OFF", normal tractor work may resume.
When driving in "Regeneration Inhibit" mode, press the DPF INHIBIT switch to turn on the switch lamp.

NOTE :

- During the regeneration cycle, do not touch the above levers, and switches (in steps 2, 3, 4), nor change the engine rpm other than an emergency stop. Otherwise, the regeneration will be interrupted.
- Never leave the tractor when parked regeneration process is activated.
- If the parked regeneration cycle is interrupted, the engine rpm is fixed at the idling level for about 30 seconds. For this period, keep the hand throttle lever and foot throttle pedal at the idle position. Do not move them. They will function again in 30 seconds.

■ Tips on Diesel Particulate Filter (DPF) Regeneration

● Operation

The higher in speed or load the engine operates, the higher the exhaust temperature rises. As a result, particulate matter (PM) inside the DPF is consumed, therefore the regeneration process is required less frequently over time.

The lower in speed or load the engine operates, the lower the exhaust temperature. Accordingly, less particulate matter (PM) inside the DPF is consumed, therefore more accumulation of PM will occur, which requires frequent regeneration, therefore avoid prolonged idling if possible.

● Necessary conditions for "Regeneration"

When conditions below are all satisfied, regeneration will start. However, if even one condition is deviated during the process, the regeneration will be interrupted.

- (1) The engine coolant temperature.
- (2) The DPF temperature.
- (3) The engine speed is 1200 rpm or higher.

- Usually it takes 15-20 minutes to complete the regeneration cycle.

Actual regeneration time may depend on ambient temperature, exhaust temperature and engine speed.

- It is recommended to do the regenerating while the engine is warm.

- Do not unnecessarily start and interrupt the regeneration process. Otherwise, a small amount of fuel becomes mixed with the engine oil, which degrades the oil quality.

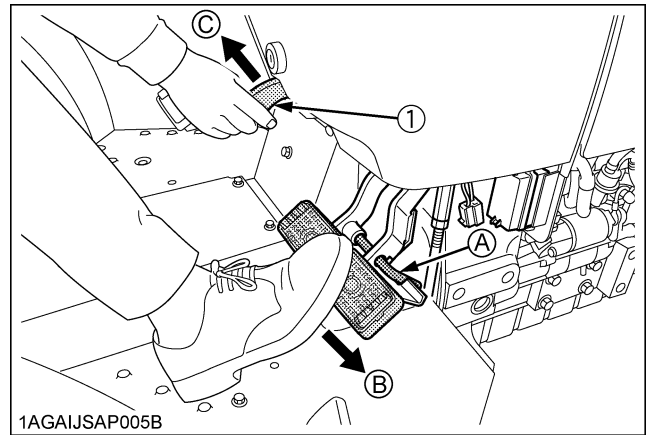
- While the DPF is being regenerated, the engine air flow rate is automatically limited to keep up the exhaust temperature. Because of this the engine may sound differently, this is normal for this engine.

- Just after the regeneration has ended, the DPF muffler remains hot. It is advisable to keep the engine running for about 5 minutes to allow cooling of the exhaust components.

STARTING THE ENGINE

1. Make sure the parking brake is set.

1. To set the parking brake;
 - (1) Interlock the brake pedals.
 - (2) Depress the brake pedals.
 - (3) Latch the brake pedals with the parking brake lever.
 - (4) The parking brake warning indicator light on the Easy Checker(TM) will turn "ON" when the parking brake is set.
2. To release the parking brake, depress the brake pedals again.

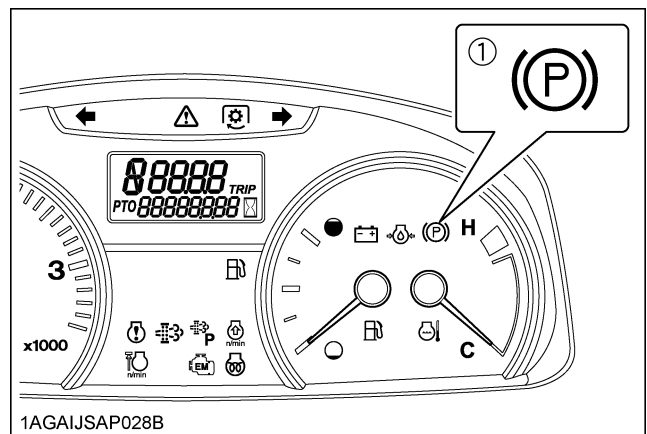


(1) Parking brake lever

(A) "Interlock the brake pedals"

(B) "DEPRESS"

(C) "PULL"

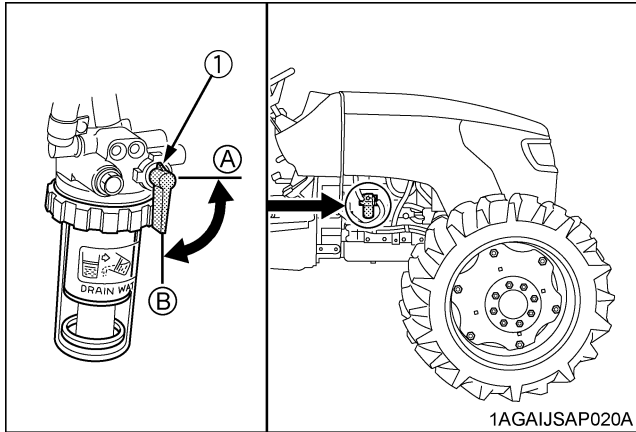


(1) Parking brake warning indicator

IMPORTANT :

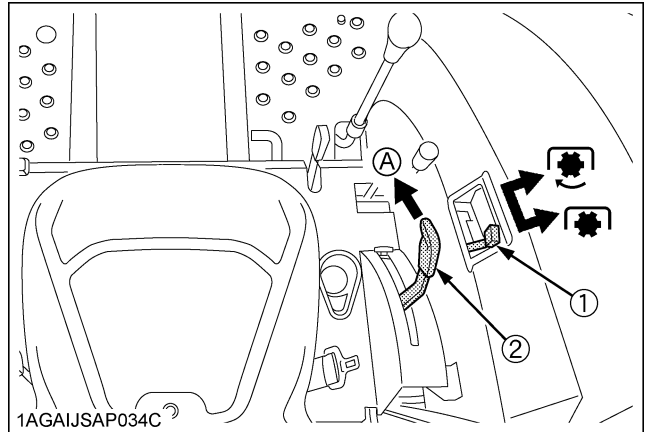
- To prevent damage to the parking brake lever, make sure that brake pedals are fully depressed before pulling the parking brake lever up.

2. Make sure the fuel cock is in the "OPEN" position.



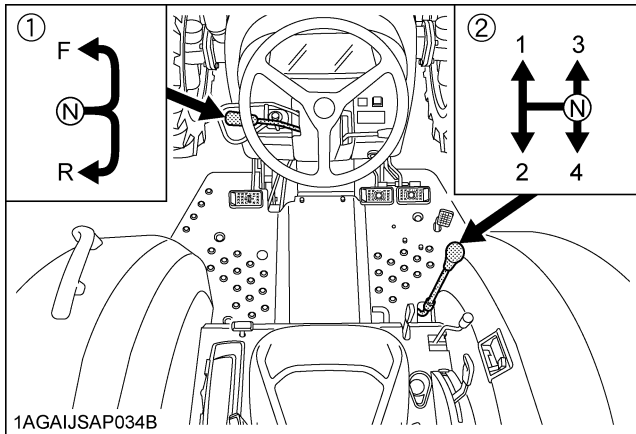
(1) Fuel cock
 (A) "CLOSE"
 (B) "OPEN"

4. Place the PTO clutch control lever in "OFF" position and position control lever in "LOWEST" position.



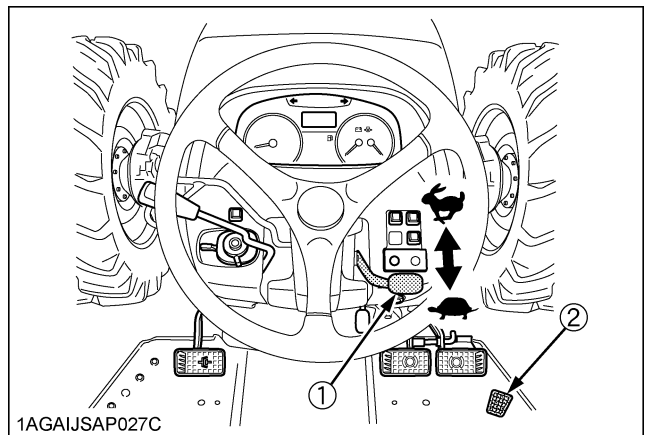
(1) PTO clutch control lever
 (2) Position control lever
 "ON" "OFF"
 (A) "DOWN"

3. Place the shift levers in "NEUTRAL" position.



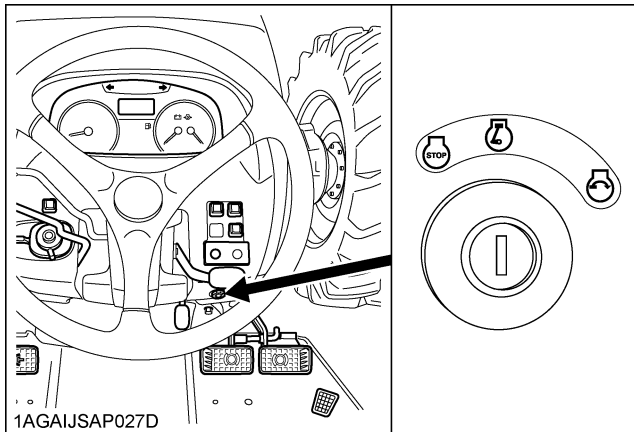
(1) Hydraulic-shuttle shift lever
 (2) Main gear shift lever
 (N) "NEUTRAL POSITION"

5. Set the throttle levers to about 1/2 way.



(1) Hand throttle lever
 (2) Foot throttle
 "INCREASE"
 "DECREASE"

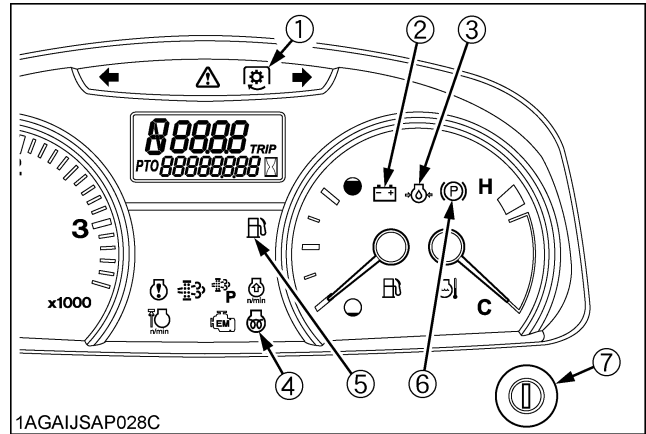
6. Insert the key into the key switch and turn it "ON".



⏻ "OFF" ⏻ "ON" ⏻ "START"

◆ Check Easy Checker(TM) Lamps:

- When the key is turned "ON", lamps (2) (3) should come on. If trouble should occur at any location while the engine is running, the indicator lamp corresponding to problem will turn "ON".
- Suppose that the engine coolant temperature is not high enough yet. The heater indicator (4) also turns "ON" when the key is turned "ON" to preheat the engine and goes off automatically when preheat is completed.
Illumination time of indicator varies according to the temperature of coolant.
- The PTO clutch indicator (1) comes on while PTO clutch control lever is engaged "ON" and goes off when disengaged.
- If the fuel level indicator (5) lights up, when fuel level is very low, therefore add fuel and the light will turn "OFF".
- If the parking brake warning indicator (6) does not illuminate, set the parking brake.



- | | |
|---|-------------------------------------|
| (1) PTO clutch indicator | (4) Heater indicator |
| (2) Electrical charge warning indicator | (5) Fuel level indicator |
| (3) Engine oil pressure warning indicator | (6) Parking brake warning indicator |
| | (7) Key switch |

NOTE :

- Some of the Easy Checker(TM) lamps may illuminate or start flashing depending on the positions of the levers and switches.

IMPORTANT :

- Daily checks with the Easy Checker(TM) only, are not sufficient. Never fail to conduct daily checks carefully by referring to Daily Check. (See "DAILY CHECK" in "PERIODIC SERVICE" section.)

7. Fully depress the clutch pedal.

8. Turn the key to "START" position and release when the engine starts.

IMPORTANT :

- Because of the safety devices, the engine will not start except when the PTO clutch control lever is placed in the "OFF" position and shuttle shift lever is placed in the "NEUTRAL" position.

9. Check to see that all the lamps on the Easy Checker(TM) are "OFF".

If a lamp is still on, immediately stop the engine and determine the cause.

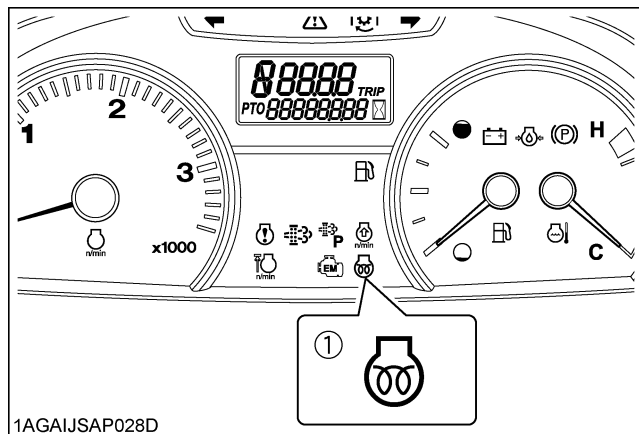
10. Release the clutch pedal.

COLD WEATHER STARTING

If the ambient temperature is below 0 °C (32 °F) and the engine is very cold, follow the procedure below after taking the step 1 through 5 in the previous pages.

6. Turn the key to "ON" position and hold it until the heater indicator turns off.

Heater indicator comes on when the key is turned to "ON" position and engine coolant temperature is below 0 °C (32 °F), and goes off automatically when preheat is completed.



1AGAIJSAP028D

(1) Heater indicator

7. Fully depress the clutch pedal.

8. Turn the key to the "START" position and the engine should start.

(If the engine fails to start after 10 seconds, turn off the key for 30 seconds. Then repeat steps 6 through 8. To protect the battery and the starter, make sure that the starter is not continuously turned for more than 10 seconds.)

■ Block Heater (if equipped)

A block heater is available as an option from your dealer. It will assist you in starting your tractor when the ambient temperature is below -20 °C (-4 °F).

STOPPING THE ENGINE

1. After slowing the engine to idle, wait 3 to 5 minutes for turbo to slow down and then turn the key to "OFF".
2. Remove the key.

NOTE :

- If key does not stop the engine, consult your local KUBOTA Dealer.

WARMING UP



WARNING

To avoid personal injury or death:

- Be sure to set the parking brake during warm-up.
- Be sure to set all shift levers to the "NEUTRAL" positions and to place PTO switch in "OFF" position during warm-up.

For 5 minutes after engine start-up, allow engine to warm up without applying any load, this is to allow oil to reach every engine part. If load should be applied to the engine without this warm-up period, trouble such as seizure, breakage or premature wear may develop.

■ Warm-up and Transmission Oil at Low Temperature Range

Hydraulic oil serves as transmission fluid. In cold weather, the oil may be cold with increased viscosity. This can cause delayed oil circulation or abnormally low hydraulic pressure for some time after engine start-up. This in turn can result in trouble in the hydraulic system.

To prevent the above, observe the following instructions: Warm up the engine at about 50 % of rated rpm according to the table below:

Ambient temperature	Warm-up time requirement
Higher than -10 °C (14 °F)	Approx. 10 minutes
-15 to -10 °C (5 to 14 °F)	10 to 20 minutes
-20 to -15 °C (-4 to 5 °F)	20 to 30 minutes
Below -20 °C (-4 °F)	More than 30 minutes

IMPORTANT :

- Do not operate the tractor under full load condition until it is sufficiently warmed up.

JUMP STARTING



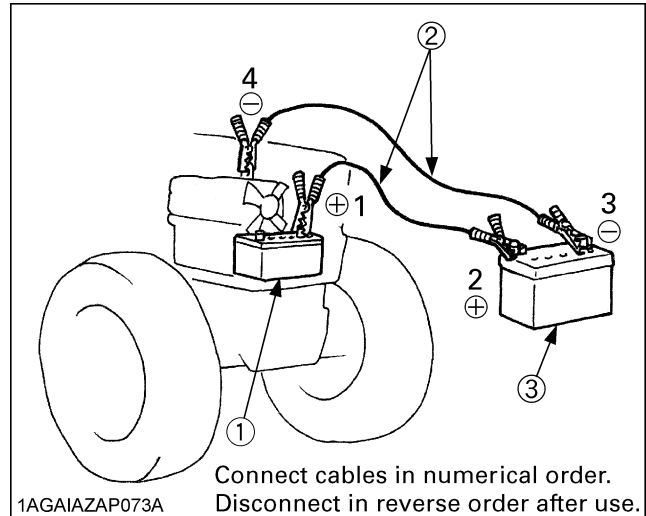
WARNING

To avoid personal injury or death:

- Battery gases can explode. Keep cigarettes, sparks, and flames away from battery.
- If tractor battery is frozen, do not jump start engine.
- Do not connect the other end of the negative (-) jumper cable to the negative (-) terminal of the tractor battery.

When jump starting the engine, follow the instructions below to safely start the engine.

1. Bring the helper vehicle with a battery of the same voltage as disabled tractor within easy cable reach. "THE VEHICLES MUST NOT TOUCH".
2. Engage the parking brakes of both vehicles and put the shift levers in neutral. Shut both engines off.
3. Wear eye protection and rubber gloves.
4. Attach the red clamp to the positive (red, (+) or pos.) terminal of the dead battery and clamp the other end of the same cable to the positive (red, (+) or pos.) terminal of the helper battery.
5. Clamp the other cable to the negative (black, (-) or neg.) terminal of the helper battery.
6. Clamp the other end to the engine block or frame of the disabled tractor as far from the dead battery as possible.
7. Start the helper vehicle and let its engine run for a few moments. Start the disabled tractor.
8. Disconnect the jumper cables in the exact reverse order of attachment. (Steps 6, 5 and 4).



- (1) Dead battery
 (2) Jumper cables
 (3) Helper battery

IMPORTANT :

- This machine has a 12 volt negative (-) ground starting system.
- Use only same voltage for jump starting.
- Use of a higher voltage source on tractor's electrical system could result in severe damage to tractor's electrical system.
 Use only matching voltage source when "Jump starting" a low or dead battery condition.
- Do not operate the tractor with the battery cable disconnected from the battery.
- Do not operate the tractor without the battery mounted.
- Do not operate the tractor with the battery dead. Charge the battery fully enough before operating the tractor.
 Otherwise the tractor might malfunction.

OPERATING THE TRACTOR

OPERATING NEW TRACTOR

How a new tractor is handled and maintained determines the life of the tractor.

A new tractor just off the factory production line has been, of course, tested, but the various parts are not accustomed to each other, so care should be taken to operate the tractor for the first 50 hours at a slower speed and avoid excessive work or operation until the various parts become "broken-in". The manner in which the tractor is handled during the "breaking-in" period greatly affects the life of your tractor.

Therefore, to obtain the maximum performance and the longest life of the tractor, it is very important to properly break-in your tractor. In handling a new tractor, the following precautions should be observed.

■ Do not Operate the Tractor at Full Speed for the First 50 Hours.

- Do not start quickly nor apply the brakes suddenly.
- In winter, operate the tractor after fully warming up the engine.
- Do not run the engine at speeds faster than necessary.
- On rough roads, slow down to suitable speeds. Do not operate the tractor at fast speed.

The above precautions are not limited only to new tractors, but to all tractors. But it should be especially observed in the case of new tractors.

■ Changing Lubricating Oil for New Tractors

The lubricating oil is especially important in the case of a new tractor. The various parts are not "broken-in" and are not accustomed to each other; small metal grit may develop during the operation of the tractor; and this may wear out or damage the parts. Therefore, care should be taken to change the lubricating oil a little earlier than would ordinarily be required.

For further details of change interval hours. (See "MAINTENANCE" section.)

BOARDING AND LEAVING THE TRACTOR

1. Never try to get on or off a moving tractor or jump off the tractor to exit.
2. Face the tractor when getting into or out of the tractor. Do not use the controls as hand holds to prevent inadvertent machine movements.
3. Always keep steps and floor clean to avoid slippery conditions.

OPERATING FOLDABLE ROPS



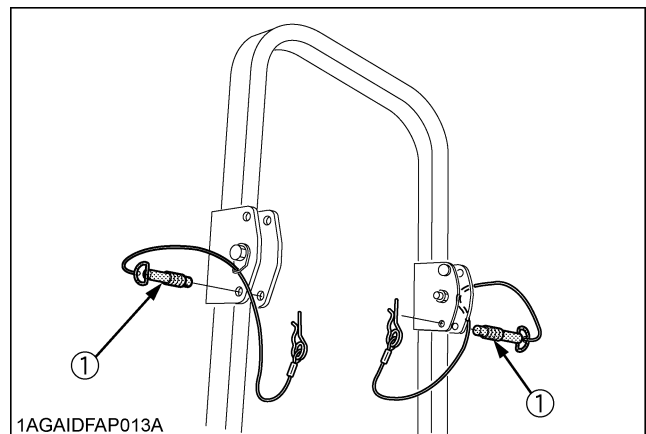
WARNING

To avoid personal injury or death:

- When raising or folding the ROPS, apply parking brake, stop the engine and remove the key. Always perform function from a stable position at the rear of tractor.
- Fold the ROPS down only when absolutely necessary and fold it up and lock it again as soon as possible.
- Before proceeding to fold ROPS, check for any possible interference with installed implements and attachments. If interference occurs, contact your KUBOTA Dealer.

■ To Fold the ROPS

1. Remove both set bolts.



(1) Set bolt

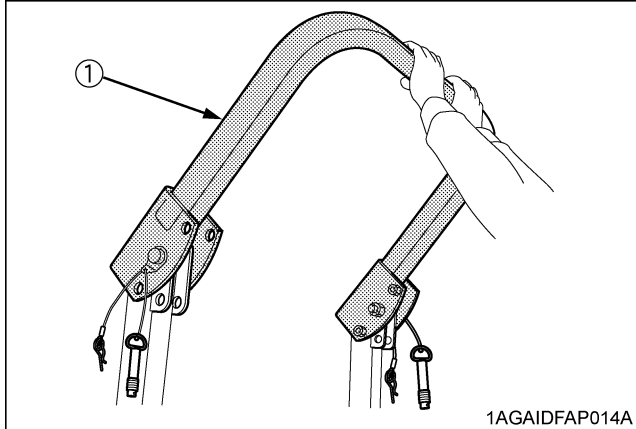
2. Fold the ROPS.



CAUTION

To avoid personal injury:

- Hold the top of the ROPS tightly with both hands and fold the ROPS slowly and carefully.



(1) ROPS

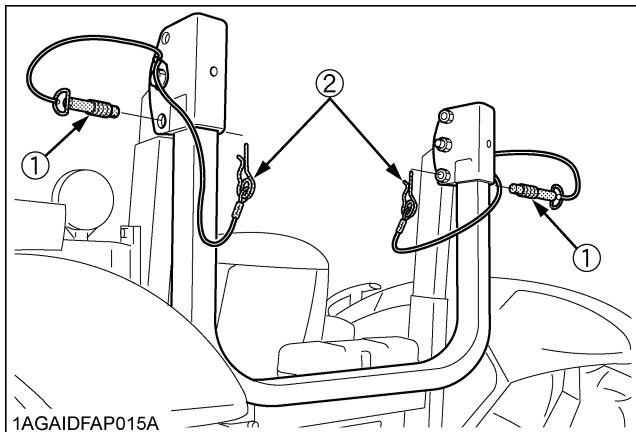
3. Align set bolt holes and insert both set bolts. Slightly tighten the set bolts and secure them with the hair pin cotters.



CAUTION

To avoid personal injury:

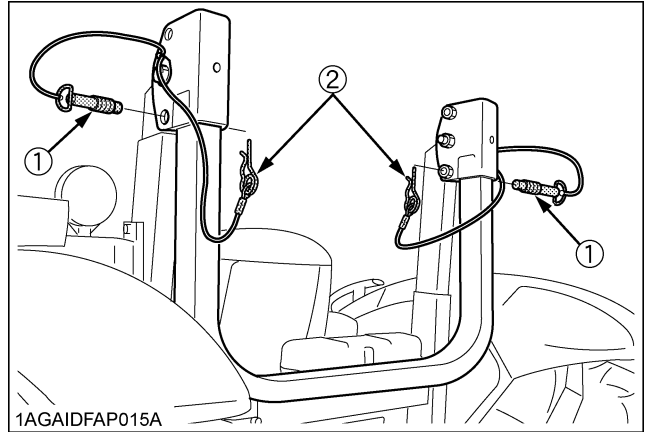
- Make sure that both set bolts are properly installed and secured with the hair pin cotters.



(1) Set bolt
(2) Hair pin cotter

To Raise the ROPS to Upright Position

1. Remove both hair pin cotters and set bolts.



(1) Set bolt
(2) Hair pin cotter

2. Raise ROPS to the upright position.



CAUTION

To avoid personal injury:

- Raise the ROPS slowly and carefully.

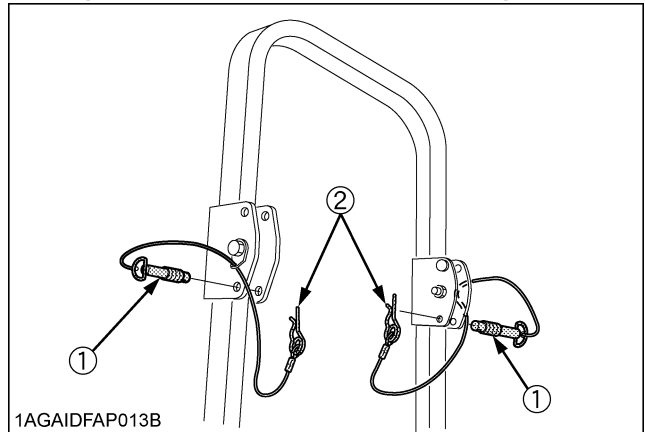
3. Align set bolt holes and insert both set bolts. Slightly tighten the set bolts and secure them with the hair pin cotters.



CAUTION

To avoid personal injury:

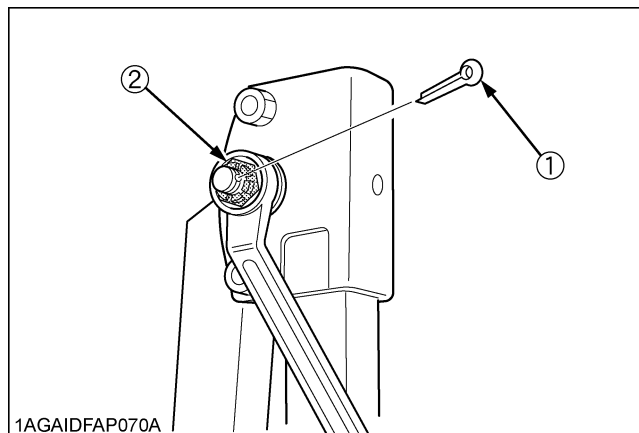
- Make sure that both set bolts are properly installed as soon as the ROPS is in the upright position and secured with the hair pin cotters.



(1) Set bolt
(2) Hair pin cotter

■ Adjustment of Foldable ROPS

- Adjust the free fall of the ROPS upper frame regularly.
- If you feel less friction in folding the ROPS, remove the cotter pin (1), tighten the nut (2) until you feel the right friction in the movement and then replace the cotter pin.



- (1) Cotter pin
(2) Nut

STARTING

1. Adjusting the Operator's Position.

NOTE :

- The seat and suspension should be adjusted to ensure that the controls are comfortably at hand for the operator, ensuring that the operator maintains a good posture and minimizes risks from whole body vibration.

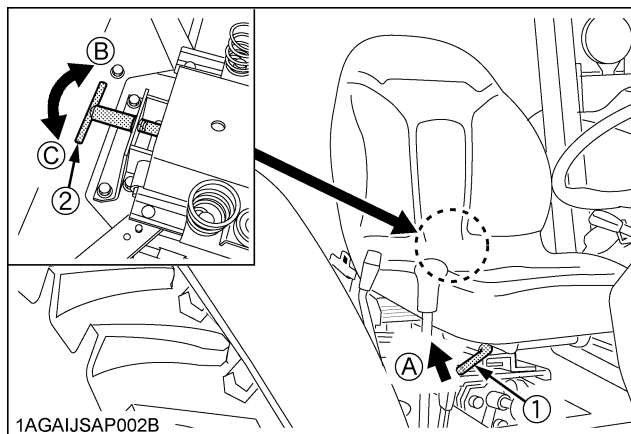
■ Operator's Seat



WARNING

To avoid personal injury or death:

- Make adjustments to the seat only while the tractor is stopped.
- Make sure that the seat is completely secured after each adjustment.
- Do not allow any person other than the operator to ride on the tractor.



- (1) Travel adjust lever
(2) Suspension adjust lever

- (A) "UNLOCK"
(B) "TO DECREASE TENSION"
(C) "TO INCREASE TENSION"

◆ Travel adjustment

Pull the travel adjust lever and slide the seat backward or forward, as required. The seat will lock in position when the lever is released.

◆ Suspension adjustment lever

Turn the suspension adjust lever to achieve the optimum suspension setting.

IMPORTANT :

- After adjusting the operator's seat, be sure to check to see that the seat is properly locked.

■ Seat Belt

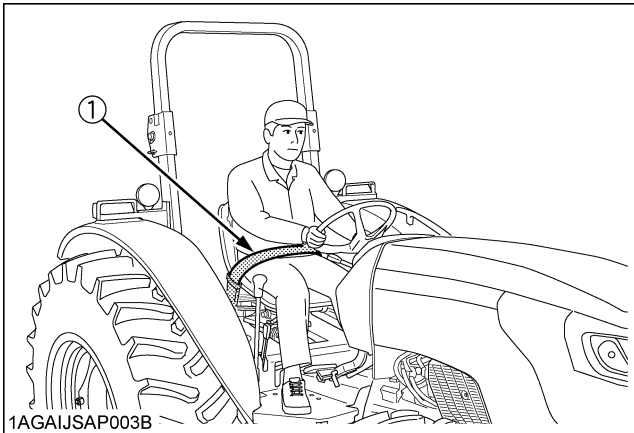


WARNING

To avoid personal injury or death:

- Always use the seat belt when any ROPS or CAB are installed.
- Do not use the seat belt if a foldable ROPS or a retractable ROPS is down or there is no ROPS.

Adjust the seat belt for proper fit and connect the buckle. This seat belt is auto-locking retractable type.



1AGAIJSAP003B

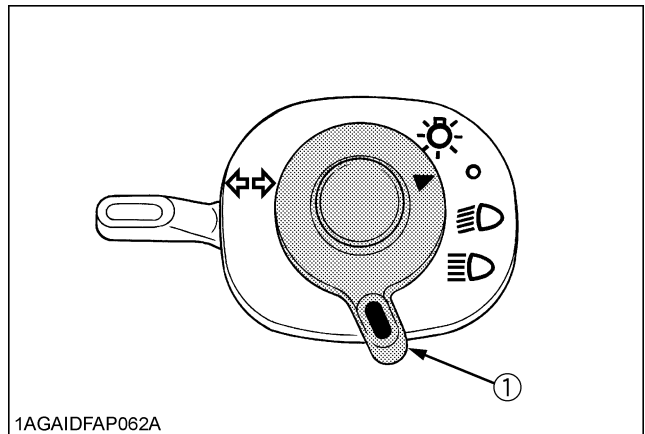
(1) Seat belt

2. Selecting Light Switch Positions.

■ Light Switch

Turn the light switch clockwise, and the following lights are activated on the switch position.

- Head lights OFF.
- ☉ Head lights dimmed, low beam.
- ☼ Head lights ON, high beam.



1AGAIDFAP062A

(1) Head light switch

■ Turn Signal / Hazard Light Switch

◆ Hazard Light

1. When the hazard light switch is pushed, the hazard lights flash, along with the L/H and R/H indicators on the instrument panel.
2. Push the hazard light switch again to turn off the hazard lights.

◆ Turn Signal with Hazard Light

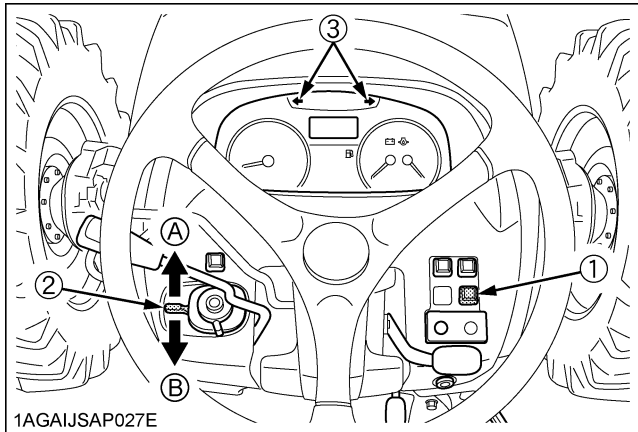
1. To indicate a right turn with the hazard lights already flashing, turn the switch clockwise.
2. To indicate a left turn with the hazard lights already flashing, turn the switch counterclockwise.
3. When the left or right turn signal is activated in combination with the hazard lights, the indicated turning light will flash and the other will stay on.

◆ Turn Signal without Hazard Light

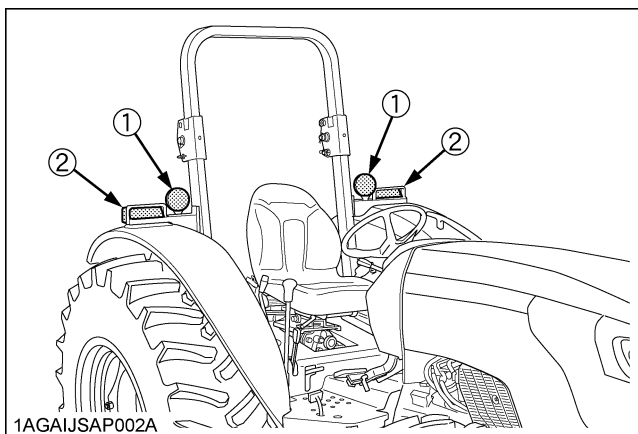
1. To indicate a right turn without hazard lights, turn the switch clockwise.
2. To indicate a left turn without hazard lights, turn the switch counterclockwise.
3. When the left or right turn signal is activated without the hazard lights, the indicated turning light will flash and the other will stay on.

NOTE :

- The hazard light switch is operative when the key switch is in either the "ON" or "OFF" position.
- The turn signal light switch is only operative when the key switch is in the "ON" position.
- Be sure to return the turn signal switch to center position after turning.



(1)Hazard light switch (A) "RIGHT TURN"
 (2)Turn signal light switch (B) "LEFT TURN"
 (3)Hazard / Turn signal indicator



(1)Hazard light
 (2)Turn signal light

3. Checking the Brake Pedal.

■ Brake Pedals (Right and Left)



WARNING

To avoid personal injury or death:

- Be sure to interlock the right and left pedals. Applying only one rear wheel brake at high speeds could cause the tractor to swerve or roll-over.
- Be sure brake pedals have equal adjustment when using locked together. Incorrect or unequal brake pedal adjustment can cause the tractor to swerve or roll-over.

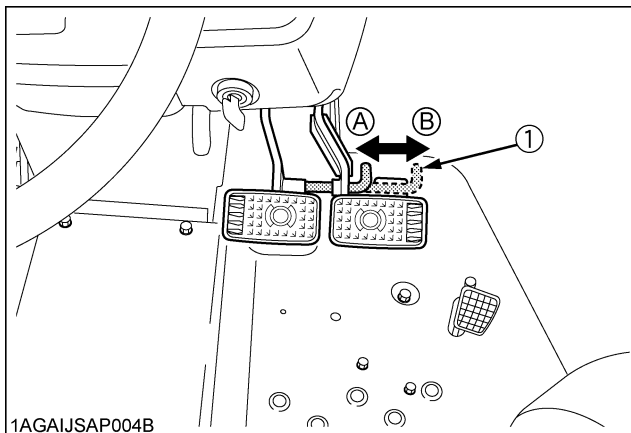


WARNING

To avoid personal injury or death:

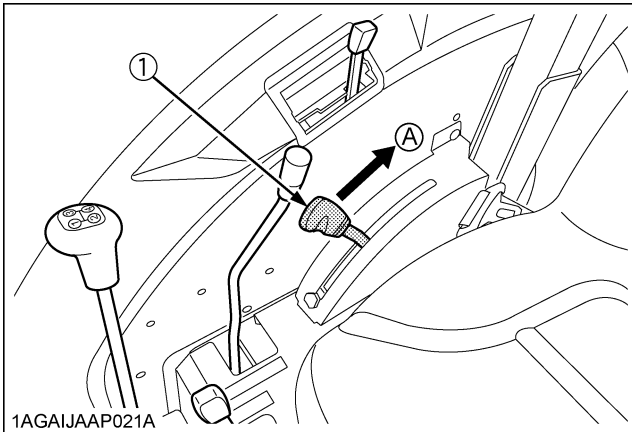
- Do not make brake suddenly. An accident may occur as a result of a heavy towed load shifting forward or loss of control
- To avoid skidding and loss of steering control when driving on icy, wet, or loose surfaces, make sure the tractor is correctly ballasted, operated at reduced speed, operated with front wheel drive engaged (if equipped).
- The braking characteristics are different between 2 and 4-wheel drive. Be aware of the difference and use carefully.

1. Before operating the tractor on the road or before applying the parking brake, be sure to interlock the right and left pedals as illustrated below.
2. Use individual brakes to assist in making sharp turns at slow speeds (Field Operation Only). Disengage the brake pedal lock and depress only one brake pedal.
3. Be sure brake pedals have equal adjustment when using locked together.



(1) Brake pedal lock (A) "LOCK"
 (B) "RELEASE"

4. Raise the Implement.
(see "HYDRAULIC UNIT" section.)



(1) Position control lever (A) "UP"

5. Depress the Clutch Pedal.

■ Clutch Pedal

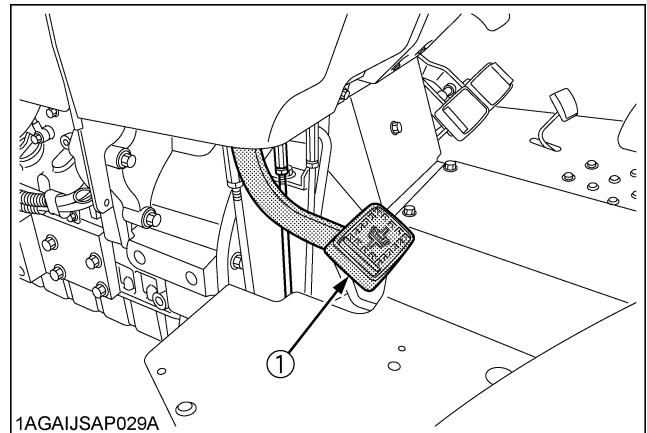


WARNING

To avoid personal injury or death:

- Sudden release of the clutch may cause the tractor to lunge in an unexpected manner.

The clutch is disengaged when the clutch pedal is fully pressed down.



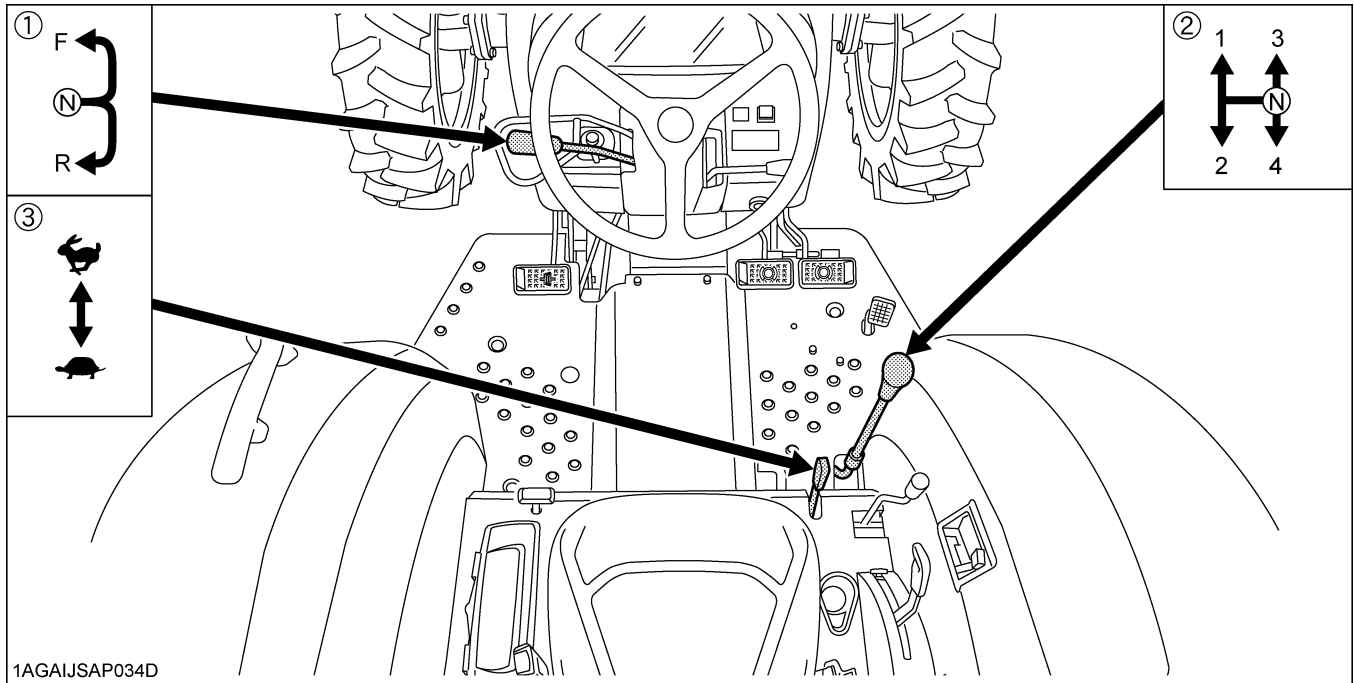
(1) Clutch pedal

IMPORTANT :

To help prevent premature clutch wear:

- The clutch pedal must be quickly disengaged and be slowly engaged.
- Avoid operating the tractor with your foot resting on the clutch pedal.
- Select proper gear and engine speed depending on the type of job.

6. Selecting the Travel Speed.



(1) Hydraulic - shuttle shift lever
 (2) Main gear shift lever
 (3) Range gear shift lever

(F) "FORWARD"
 (N) "NEUTRAL POSITION"
 (R) "REVERSE"

⬇️ "LOW"
 ⬆️ "HIGH"

By combination of using the main gear shift lever, the range gear shift lever and hydraulic-shuttle shift lever, forward speeds and reverse speeds shown in the table below are obtained.

Standard model	8 forward speeds 8 reverse speeds
----------------	--------------------------------------

■ Main Gear Shift Lever

The main gear shift is fully synchronized to shift without stopping.

IMPORTANT :

- The main gear shift may be shifted between speeds on-the-go, but the clutch must be depressed.

■ Range Gear Shift Lever

The range gear shift can only be shifted when the tractor is completely stopped and the clutch is depressed.

IMPORTANT :

- To avoid transmission damage, depress clutch pedal and stop the tractor before shifting between ranges.

Hydraulic-Shuttle Shift Lever

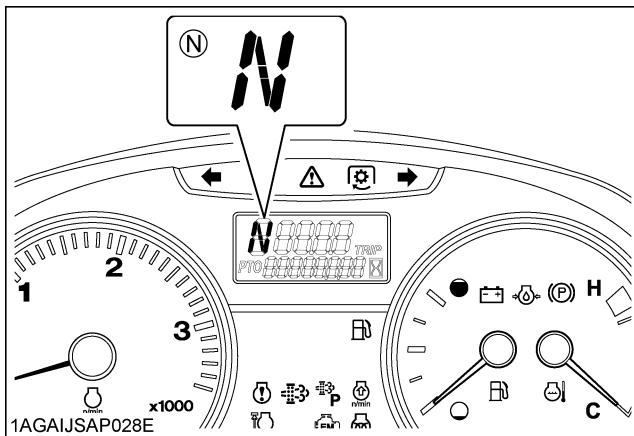
Raise up and shift the shuttle shift lever forward to obtain forward speeds and shift back to obtain reverse speeds. This shifting does not require clutch operation.

IMPORTANT :

- The hydraulic-shuttle shift lever may be shifted while the tractor is moving slowly.

NOTE :

- While the shuttle shift lever is at the "NEUTRAL" position, the "N" character appears on the LCD monitor.



(N) "NEUTRAL"

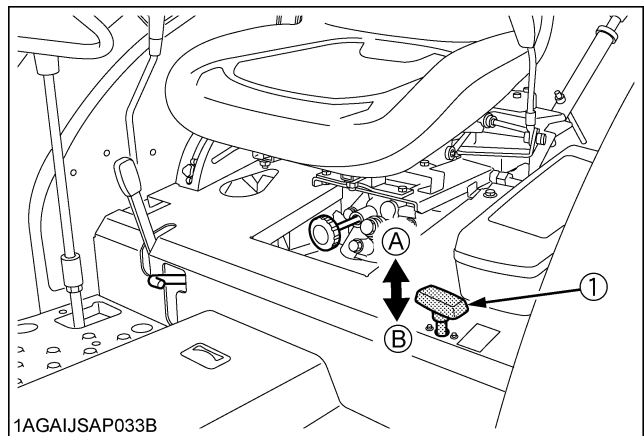
Front Wheel Drive Lever

WARNING

To avoid personal injury or death:

- Do not engage the front wheel drive when traveling at road speed.
- When driving on icy, wet, or loose surfaces, make sure the tractor is correctly ballasted to avoid skidding and loss of steering control. Operate at reduced speed and engage front wheel drive.
- An accident may occur if the tractor is suddenly braked, such as by heavy towed loads shifting forward or loss of control.
- The braking characteristics are different between 2 and 4-wheel drive. Be aware of the difference and use carefully.

Use the lever to engage the front wheels with the tractor stopped. Shift the lever to "ON" to engage the front wheel drive.



(1) Front wheel drive lever

(A) "ON"

(B) "OFF"

IMPORTANT :

- Tires will wear quickly if front wheel drive is engaged on paved roads.
- Reduce the rear wheels traction before engaging the front wheel drive lever.

◆ Front wheel drive is effective for the following jobs:

1. When greater pulling force is needed, such as working in a wet field, when pulling a trailer, or when working with a front-end loader.
2. When working in sandy soil.
3. When working on a hard soil where a rotary tiller might push the tractor forward.
4. For increased braking at reduced speed.

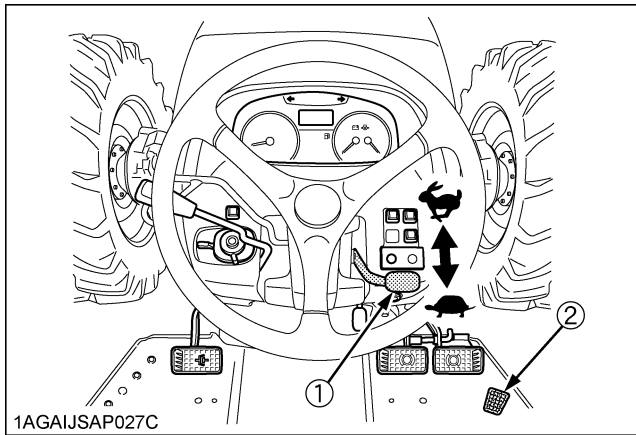
7. Accelerate the Engine.

■ Hand Throttle Lever

Pulling the throttle lever back decreases engine speed, and pushing it forward increases engine speed.

■ Foot Throttle

Use the foot throttle when traveling on the road. Press down on it for higher speed. The foot throttle is interlocked with the hand throttle lever; when using the foot throttle, keep the hand throttle lever in low idling position.



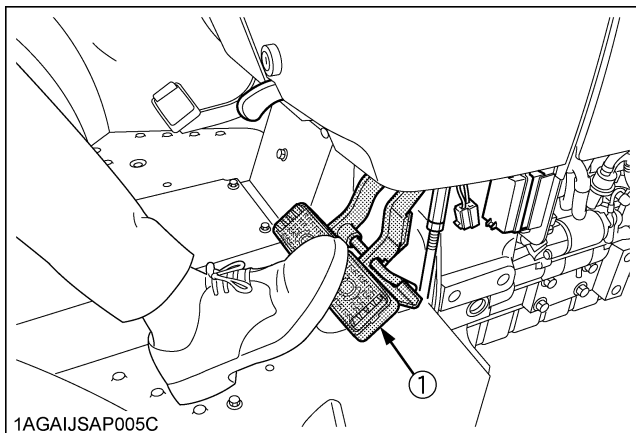
(1) Hand throttle lever
(2) Foot throttle

↖ "INCREASE"
↗ "DECREASE"

8. Unlock the Brake Pedals and Slowly Release the Clutch.

■ Parking Brake

To release the parking brake, depress the brake pedals again.



(1) Brake pedals

STOPPING

■ Stopping

1. Slow down the engine.
2. Step on the clutch and brake pedal.
3. After the tractor has stopped, disengage the PTO, lower the implement to the ground, shift the transmission to neutral, release the clutch pedal, and set the parking brake.

CHECK DURING DRIVING

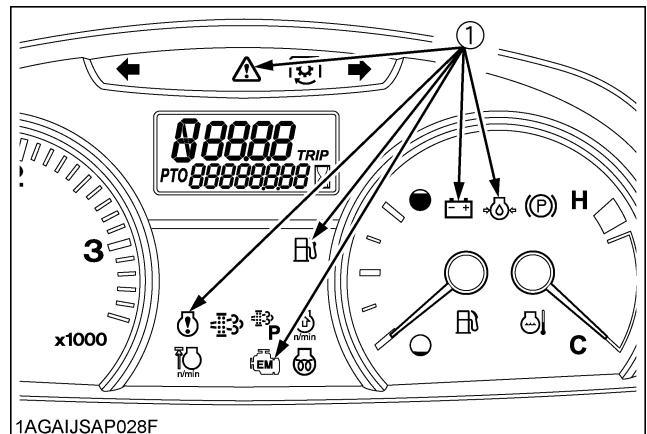
■ Immediately Stop the Engine if:

- The engine suddenly slows down or accelerates,
- Unusual noises are suddenly heard,
- Exhaust fumes suddenly become very dark,


■ Easy Checker(TM)

If the warning lamps in the Easy Checker(TM) come on during operation, immediately stop the engine, and find the cause as shown below.

Never operate the tractor while Easy Checker(TM) lamp is on.



(1) Easy Checker(TM)

 Engine warning

This indicator serves the following two functions. If the indicator lights up, pinpoint the cause and take a proper measure.

1. Error with the engine control system

If during operation the water temperature gauge reads an acceptable level but the warning lamp in the Easy Checker(TM) comes on, stop the engine and get it restarted. If the error happens again, consult your local KUBOTA Dealer.

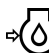
IMPORTANT :

- If the warning indicator lights up, the following phenomena may appear depending on the engine's trouble spot.
 - The engine stops unexpectedly.
 - The engine fails to start or gets interrupted just after start.
 - The engine output is not enough.
 - The engine output is enough, but the warning indicator stays on.

If the engine output is not enough, immediately interrupt the operation and move the tractor to a safe place and stop the engine.

2. Engine overheat


If the water temperature gauge reads an unusual level and the warning lamp in the Easy Checker(TM) comes on, the engine may have got overheated. Check the tractor by referring to "TROUBLESHOOTING" section.

 Engine oil pressure

If the oil pressure in the engine goes below the prescribed level, the warning lamp in the Easy Checker(TM) will come on.

If this should happen during operation, and it does not go off when the engine is accelerated to more than 1000 rpm, check level of engine oil.

(See "Checking Engine Oil Level" in "DAILY CHECK" in "PERIODIC SERVICE" section.)

 Fuel level


If the fuel in the tank goes below the prescribed level, the warning lamp in the Easy Checker(TM) will come on. (less than 20 L (5.3 gals.))

If this should happen during operation, refuel as soon as possible.

(See "Checking and Refueling" in "DAILY CHECK" in "PERIODIC SERVICE" section.)

IMPORTANT :

- When the fuel warning lamp lights up, refuel the tank as soon as possible. If the tractor runs out of fuel and stalls, the engine and its components may be damaged.


 Emission indicator

If this indicator lights up, take the steps to lower the water temperature. This helps keep the emission clean.

 Electrical charge

If the alternator is not charging the battery, the Easy Checker(TM) will come on.

If this should happen during operation, check the electrical charging system or consult your local KUBOTA Dealer.

 Master system warning

If trouble should occur at the engine, transmission or other control parts, the indicator flashes as a warning. If the trouble is not corrected by restarting the tractor, consult your local KUBOTA Dealer.

NOTE :

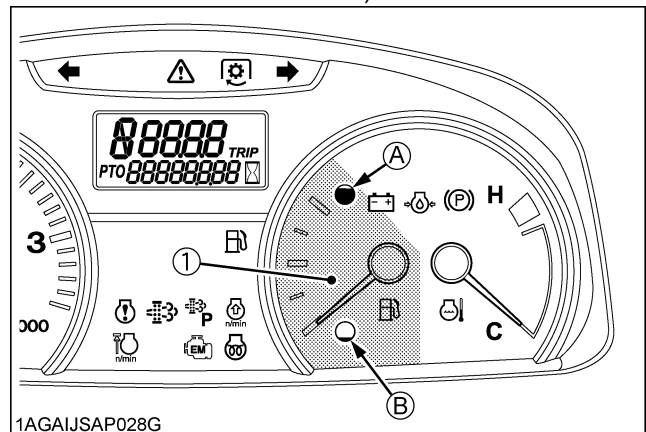
- For checking and servicing of your tractor, consult your local KUBOTA Dealer for instructions.

Fuel Gauge

When the key switch is on, the fuel gauge indicates the fuel level.

Be careful not to empty the fuel tank. Otherwise air may enter the fuel system.

Should this happen, the system should be bled (See "Bleeding Fuel System" in "SERVICE AS REQUIRED" in "PERIODIC SERVICE" section.)



(1) Fuel gauge

(A) "FULL"
(B) "EMPTY"

■ Coolant Temperature Gauge

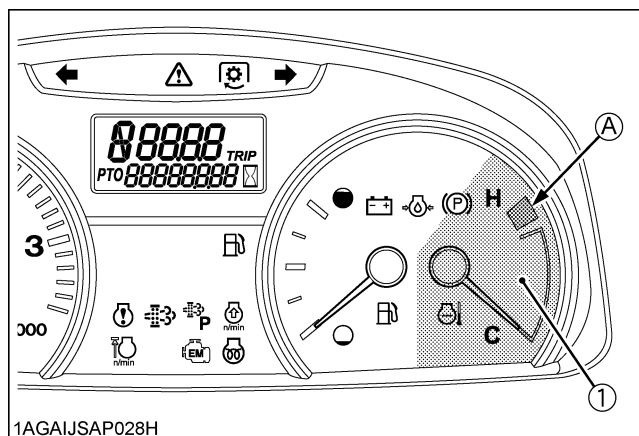


WARNING

To avoid personal injury or death:

- Do not remove radiator cap until coolant temperature is well below its boiling point. Then loosen cap slightly to the stop to relieve any pressure before removing cap completely.

1. With the key switch at "ON", this gauge indicates the temperature of the coolant. "C" for "cold" and "H" for "hot."
2. If the indicator reaches the red zone position, engine coolant is overheated. Check the tractor by referring to "TROUBLESHOOTING" section.



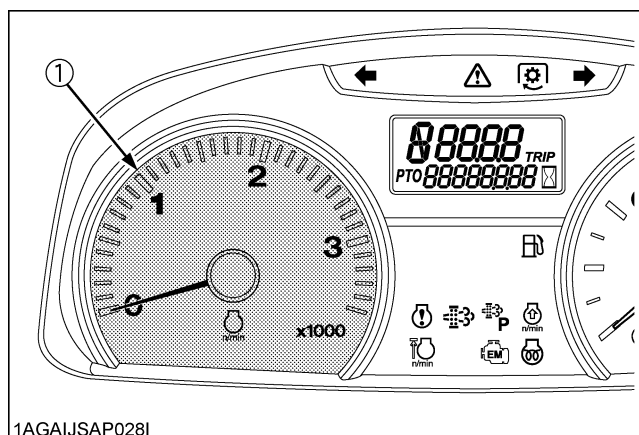
1AGAIJSAP028H

(1) Coolant temperature gauge

(A) "RED ZONE"

■ Tachometer

The tachometer indicates the engine speed on the dial.



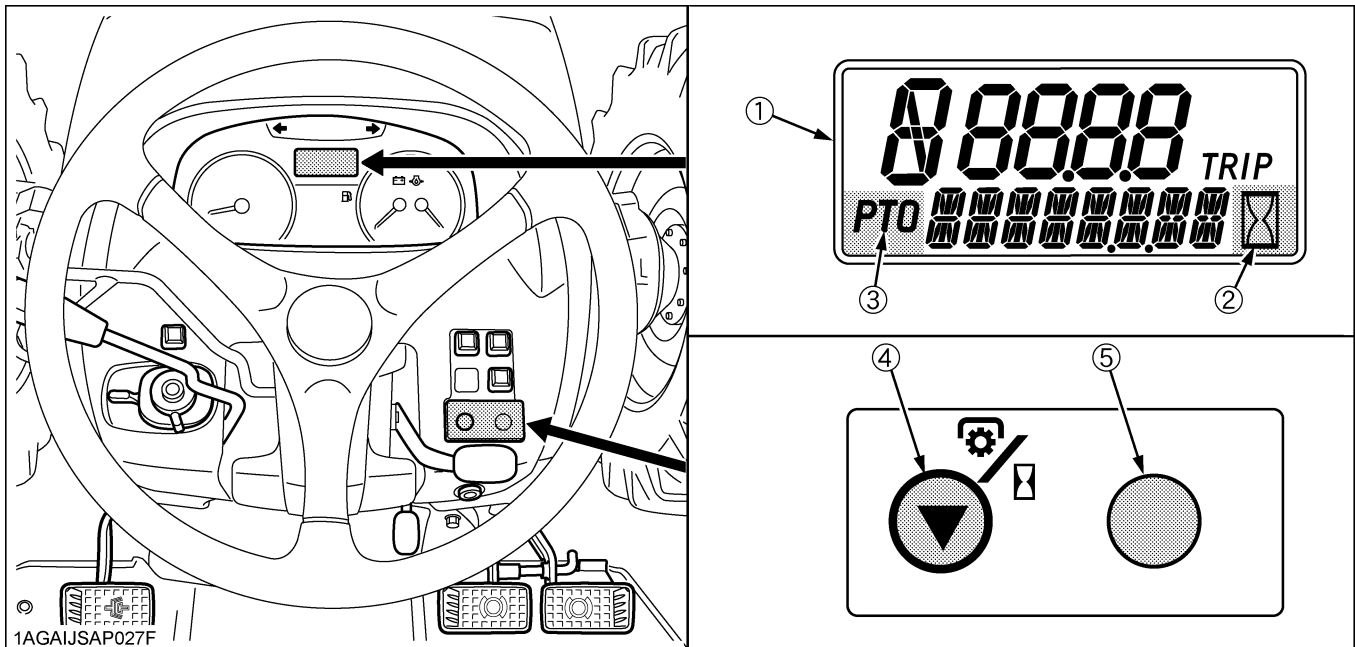
1AGAIJSAP028I

(1) Engine revolution

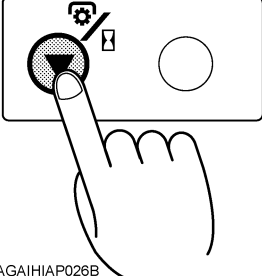


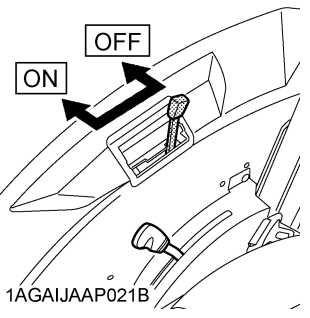


LCD MONITOR

■ Changing Display Mode

1. The LCD monitor gives two different display modes: "Hour meter" and "PTO speed". Each time the PTO/Hour meter select switch is pressed, the mode is switched to the changing display.
2. The PTO clutch control lever works for the following automatic display modes.
 - 1) PTO clutch control lever ON: PTO speed is displayed.
 - 2) PTO clutch control lever OFF: Hour meter is displayed.



- (1) LCD monitor
- (2) Hour Meter Indication
- (3) PTO Indication
- (4) PTO / Hour Meter Select Switch
- (5) Select Switch

1	<p>Display mode switching [Hour meter mode] and [PTO speed mode]</p>  <p>1AGAIHIAP026B</p>	<p>Hour meter mode</p>  <p>1AGAIJHAP002I</p>	<ul style="list-style-type: none"> ● Total operating hours are displayed. ● The hour meter indicates in 5 digits the hours the tractor has been used; the last digit indicates 1/10 of an hour.
	<p>PTO speed mode</p>  <p>1AGAIJHAP002J</p>	<ul style="list-style-type: none"> ● PTO speed are displayed. ● When the PTO clutch control lever is in "OFF" position, "OFF" is displayed. ● See "PTO Speed Display Mode Switching" in "PTO TACHOMETER / HOURMETER" in "OPERATING THE TRACTOR" section. 	
2	<p>PTO clutch control lever</p>  <p>1AGAIJAAP021B</p>	<p>PTO OFF (Hour meter mode)</p>  <p>1AGAIJHAP002I</p>	<ul style="list-style-type: none"> ● Total operating hours are displayed. ● The hour meter indicates in 5 digits the hours the tractor has been used; the last digit indicates 1/10 of an hour. ● When the PTO / Hour meter select switch is pressed in this state, "OFF" is displayed.
	<p>PTO ON (PTO speed mode)</p>  <p>1AGAIJHAP002K</p>	<ul style="list-style-type: none"> ● PTO speed are displayed. ● When the PTO / Hour meter select switch is pressed in this state, the display mode switches to hour meter mode. 	

NOTE :

- In cold weather the LCD monitor response will normally be slower and the visibility be less, than in warmer weather.

■ PTO Speed Display Mode Switching

[with 540 rpm model]

The PTO speed display mode has been factory-set at Code 1. Do not attempt to change the code. Otherwise the correct PTO speed will not be displayed in the LCD monitor.

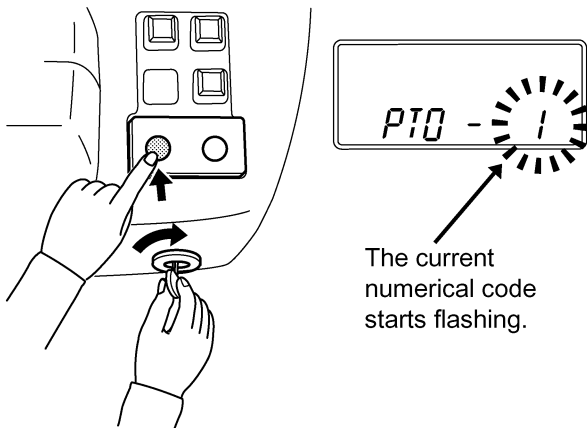
(NOTE: The current code can be checked in the following switching procedure.)

[with 540/540E rpm model (Option)]

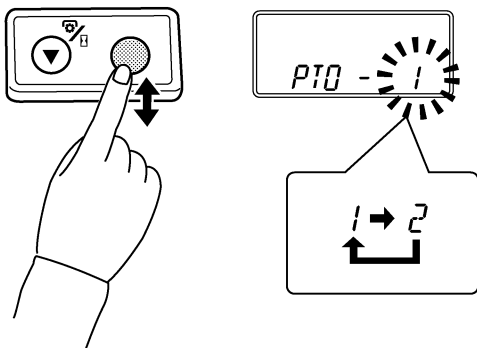
The PTO speed display mode has been factory-set at Code 1. Change the code to Code2 in the following switching procedure. Otherwise the correct PTO speed will not be displayed in the LCD monitor.

◆ Switching procedure

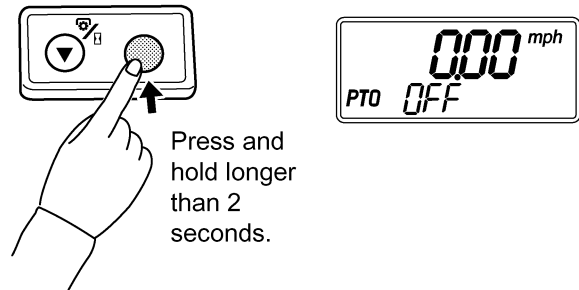
- ① While pressing the PTO/Hour meter select switch, turn the key switch to "ON" position.



- ② Each time the Select switch is pressed, the code changes in the order of [1]→[2]→[1]. Select the appropriate code according to the table below.



- ③ Press and hold the Select switch longer than 2 seconds. The setting is put in memory, and the LCD monitor goes back to the PTO speed display mode.



NOTE:

- The setting will be cancelled if the key switch is turned OFF halfway in the procedure.

Numerical code	PTO speed (rpm)
1	540
2	540 / 540E (with PTO gear shift lever)

1AGAIJSAP030A

ELECTRONIC ENGINE CONTROL

■ Constant RPM Management Control

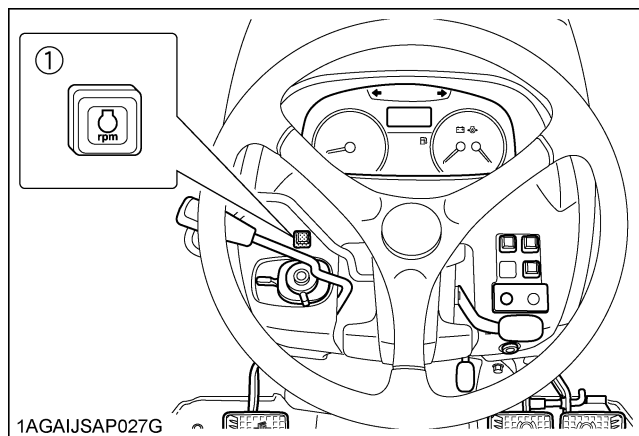
Constant RPM Management can be turned "ON" or "OFF" by operating the switch. Pressing the switch turns the control "ON" and pressing the switch again turns it "OFF".

◆ When constant RPM management is "ON"

Fluctuations in the engine speed due to load fluctuations are reduced and the travel speed and PTO speed are kept nearly constant, allowing stable work. When constant RPM management is "ON", the switch's indicator light up.

◆ When constant RPM management is "OFF"

As in a conventional engine, the engine speed increases or decreases according to changes in the load. The operator judges the size of the load from the engine speed and engine sound, and can adjust the travel speed or plowing depth to prevent overload on the tractor.



(1) Constant RPM management switch with indicator

NOTE :

- In a mechanically-controlled engine, the engine speed changes according to increases and decreases in the load.

For example, when working in a hilly area, the load increases and engine speed drops while ascending a slope, and conversely the load drops when descending. These changes in engine speed affect the travel speed and PTO-driven implements. In order to minimize these effects, the operator must make fine adjustments to the travel speed and hand throttle lever.

When the constant RPM management switch in this tractor with its electronically controlled engine is turned "ON", the engine speed will be kept nearly constant in response to a certain level of load fluctuations. This improves the accuracy of work without the need for troublesome manipulation of the travel speed and hand throttle lever.

- There is a limit to the range within which a constant speed can be maintained. If a load exceeding the engine performance is applied, the engine speed will drop.
- The purpose of constant RPM management is not to increase the engine power.

PARKING

■ Parking

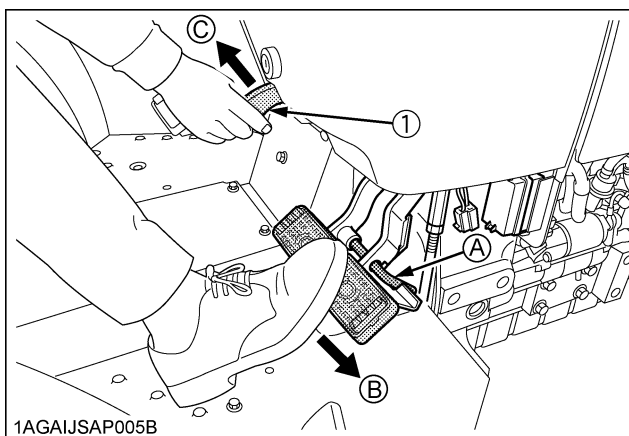


WARNING

To avoid personal injury or death:
BEFORE DISMOUNTING TRACTOR

- ALWAYS SET PARKING BRAKE AND LOWER ALL IMPLEMENTS TO THE GROUND.
Leaving transmission in gear with the engine stopped will not prevent the tractor from accidental rolling.
- STOP THE ENGINE AND REMOVE THE KEY.

1. When parking, be sure to set the parking brake.
To set the parking brake;
 - (1) Interlock the brake pedals.
 - (2) Depress the brake pedals.
 - (3) Latch the brake pedals with the parking brake lever.



(1) Parking brake lever

(A) Interlock the brake pedals

(B) "DEPRESS"

(C) "PULL"

IMPORTANT :

- To prevent damage to the parking brake lever, make sure that brake pedals are fully depressed before pulling the parking brake lever up.
2. Before getting off the tractor, disengage the PTO, lower all implements to the ground, place all control levers in their neutral positions, set the parking brake, stop the engine and remove the key.
 3. If it is necessary to park on an incline, be sure to chock the wheels to prevent accidental rolling of the machine.

IMPORTANT :

- Do not leave your tractor in the rain. If it cannot be avoided, cover the muffler pipe to prevent water entering.

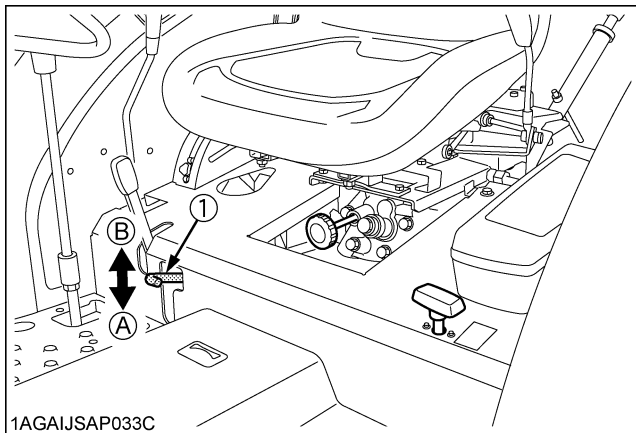
OPERATING TECHNIQUES**■ Differential Lock****WARNING**

To avoid personal injury or death due to loss of steering control:

- Do not operate the tractor at high speed with differential lock engaged.
- Do not attempt to turn with the differential lock engaged.
- Be sure to release the differential lock before making a turn in field conditions.

If one of the rear wheels should slip, step on the differential lock pedal. Both wheels will turn together, then reduce slippage.

Differential lock is maintained only while the pedal is depressed.



1AGAIJSAP033C

- (1) Differential lock pedal (A) Press to "ENGAGE"
(B) Release to "DISENGAGE"

IMPORTANT :

- When using the differential lock, always slow the engine down.
- To prevent damage to power train, do not engage differential lock when one wheel is spinning and the other is completely stopped.
- If the differential lock cannot be released, step lightly on the brake pedals alternately.

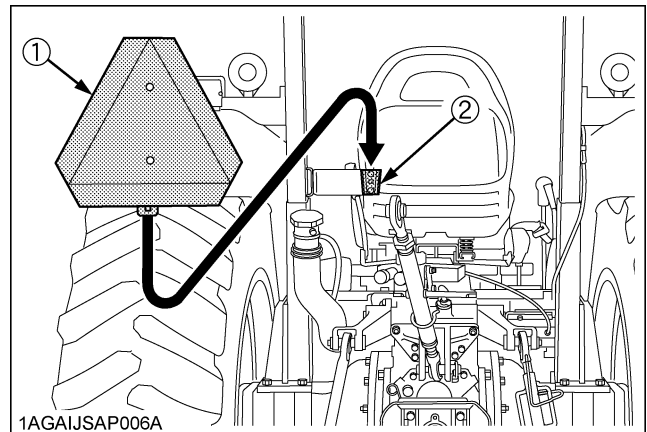
■ Operating the Tractor on a Road**WARNING**

To avoid personal injury or death:

- To help assure straight line stops when driving at transport speeds, lock the brake pedals together. Uneven braking at road speeds could cause the tractor to roll-over.
- When traveling on road with 3-point hitch mounted implement attached, be sure to have sufficient front weight on the tractor to maintain steering ability.

Be sure SMV emblem and warning lamps are clean and visible. If towed or rear-mounted equipment obstructs these safety devices, install SMV emblem and warning lamps on equipment.

Consult your local KUBOTA Dealer for further details.



1AGAIJSAP006A

- (1) SMV emblem
(2) Bracket

■ Operating on Slopes and Rough Terrain



WARNING

To avoid personal injury or death:

- Always back up when going up a steep slope. Driving forward could cause the tractor to tip over backward. Stay off hills and slopes too steep for safe operation.
- Avoid changing gears when climbing or descending a slope.
- If operating on a slope, never disengage the clutch or shift levers to neutral. Doing so could cause loss of control.
- Do not drive the tractor close to the edges of ditches or banks which may collapse under the weight of the tractor. Especially when the ground is loose or wet.

1. Be sure wheel tread is adjusted to provide maximum stability.
(See "WHEEL ADJUSTMENT" in "TIRES, WHEELS AND BALLAST" section.)
2. Slow down for slopes, rough ground, and sharp turns, especially when transporting heavy, rear mounted equipment.
3. Before descending a slope, shift to a gear low enough to control speed without using brakes.

■ Transport the Tractor Safely

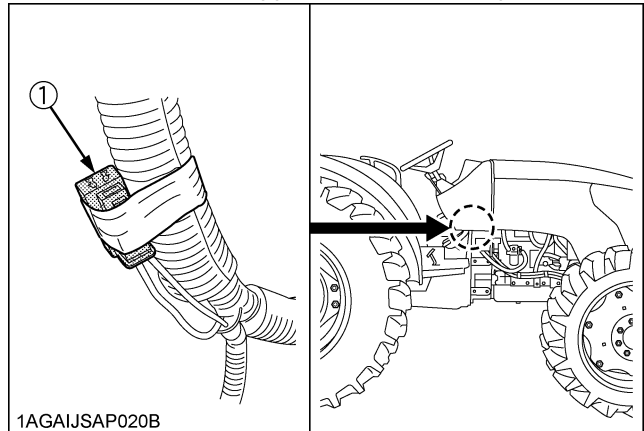
1. The tractor, if damaged, must be carried on a truck. Secure the tractor tightly with ropes.
2. Follow the instruction below when towing the tractor: Otherwise, the tractor's powertrain may get damaged.
 - Set the all shift levers to "NEUTRAL" position.
 - If possible, start engine and select 2WD, if creep speed is fitted ensure that it is disengaged.
 - Tow the tractor using its front hitch or drawbar.
 - Never tow faster than "10 km/h (6.2 mph)".

■ Directions for Use of Power Steering

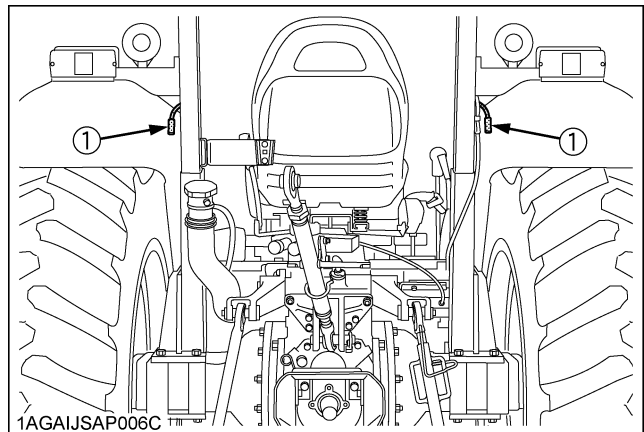
1. Power steering is activated only while the engine is running. Slow engine speeds make the steering a little heavier. While the engine is stopped, the tractor functions in the same manner as tractors without power steering.
2. When the steering wheel is turned all the way to the stop, the relief valve is activated. Do not hold the steering wheel in this position for a long period of time.
3. Avoid turning the steering wheel while the tractor is stopped, or tires may wear out sooner.
4. The power steering mechanism makes the steering easier. Be careful when driving on a road at high speeds.

■ Electrical Outlet

A electrical outlet is supplied for use with implement.



(1) Accessory electrical outlet (15A)



(1) Accessory electrical outlet for rear work light (35W)

PTO

PTO OPERATION



WARNING

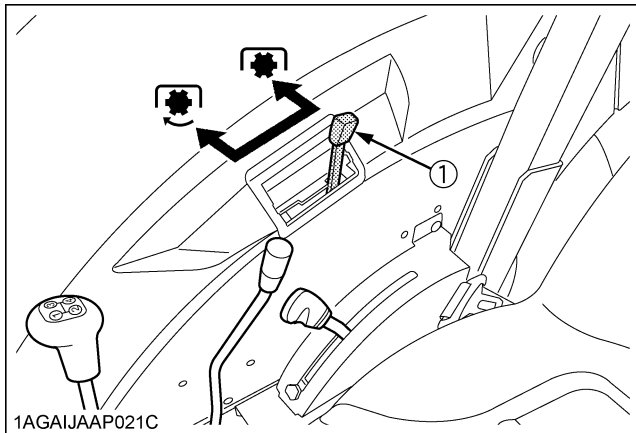
To avoid personal injury or death:

- Disengage PTO, stop engine, and allow all rotating components to come to a complete stop before connecting, disconnecting, adjusting, or cleaning any PTO driven equipment.

■ PTO Clutch Control Lever

1. The tractor has a 540 rpm speed position and 6-spline shaft.
2. The PTO clutch control lever engages or disengages the PTO clutch which gives the PTO independent control.

Shift the lever to "ON" to engage the PTO clutch. Shift the lever to "OFF" to disengage the PTO clutch.



(1) PTO clutch control lever "ON" "OFF"

IMPORTANT :

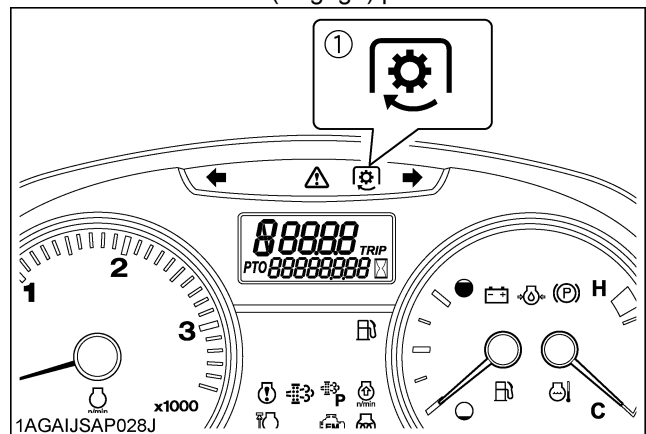
- To avoid shock loads to the PTO, reduce engine speed when engaging the PTO, then open the throttle to the recommended speed.
- To avoid damage of PTO clutch and implement, shift the PTO clutch control lever slowly, when engaging the PTO clutch. Do not keep the PTO clutch control lever half way.
Proper warm up is strongly recommended in cold weather.
Do not continuously shift the PTO clutch control lever.

NOTE :

- Tractor engine will not start if PTO clutch control lever is in the engaged "ON" position.
- If the PTO system is engaged and you stand up from the seat, the warning buzzer will whistle for about 10 seconds after standing up.
This is because the tractor is equipped with "Operator Presence Control System".

◆ PTO Clutch Indicator

The PTO clutch indicator turns on while PTO clutch control lever is in "ON" (Engage) position.



(1) PTO clutch indicator

■PTO Gear Shift Lever

[if equipped]



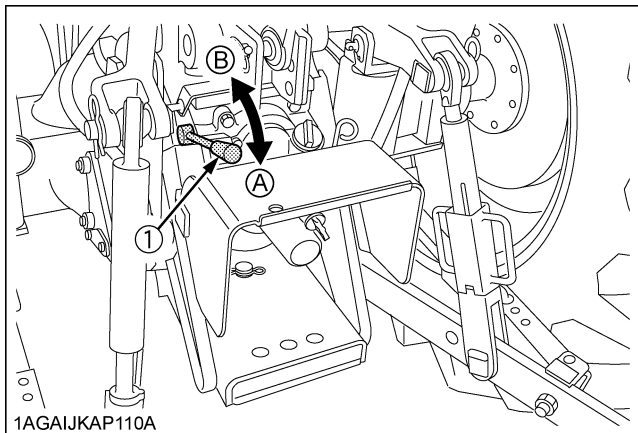
WARNING

To avoid personal injury or death:

- Be sure to observe the PTO shaft speed prescribed for the individual implements. It is extremely dangerous to run an implement at high speed that is meant to be operated at low speed. Use only when this higher rpm is specifically recommended by the implement manufacturer.

The PTO gear shift lever can be set to either 540 rpm or 540E rpm positions.

Move this lever to either position with the PTO clutch control switch set to "OFF".



(1) PTO gear shift lever (A) 540 rpm (B) 540E rpm

NOTE :

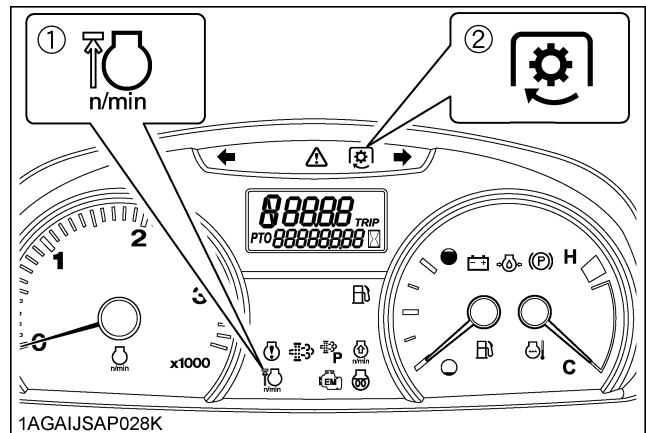
- When light load, select the "540E" position for economical operation.

PTO gear shift lever	Engine speed rpm	PTO speed rpm
540	2160	540
540E	1828	540

■PTO Speed Limiter

NOTE :

- Move the PTO gear shift lever (if equipped) to "540E" and then set the PTO clutch control lever to the "ON" position, and the rev-limiter indicator lights up on the meter panel.
- If set the PTO clutch control lever to the "ON" position with the engine rpm higher than the PTO 540E limit level, the PTO clutch indicator on the meter panel starts blinking and the PTO is disabled. After a while, the engine rpm automatically drops below the PTO 540E limit level and the PTO starts functioning. At the same time, the flashing PTO clutch indicator stays "ON".
- If set the PTO clutch control lever to the "OFF" position but the engine rpm fails to rise with the throttle, return the engine rpm to a lower level. This enables acceleration again.

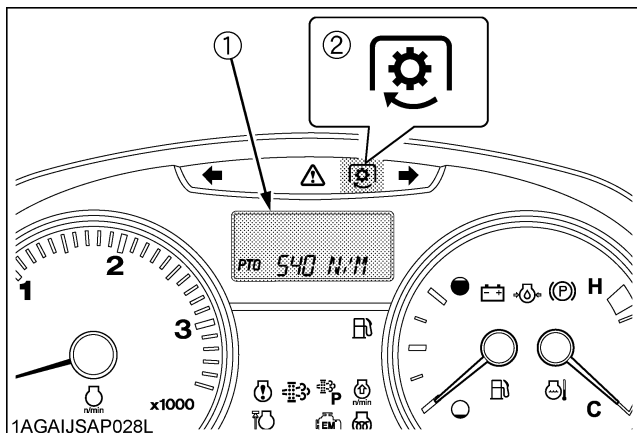


(1) Rev-limiter indicator (2) PTO clutch indicator

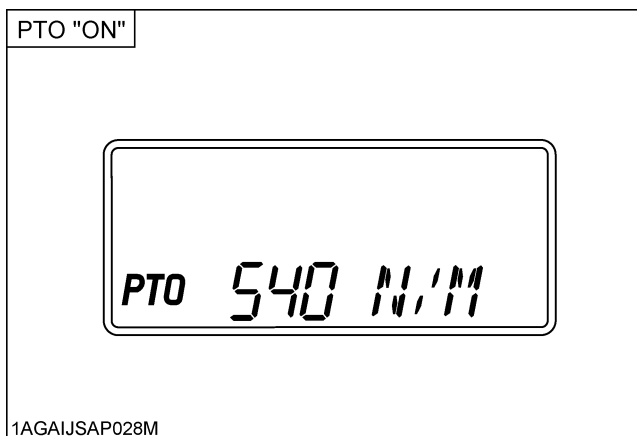
PTO	Limitation PTO / Engine speed (rpm)
540E	630 / 2132

■ LCD Monitor Message

1. The PTO rpm can be checked in the LCD monitor.
(See "LCD MONITOR" in "OPERATING THE TRACTOR" section.)
2. When the PTO system gets engaged (ON), the indicator lights up.



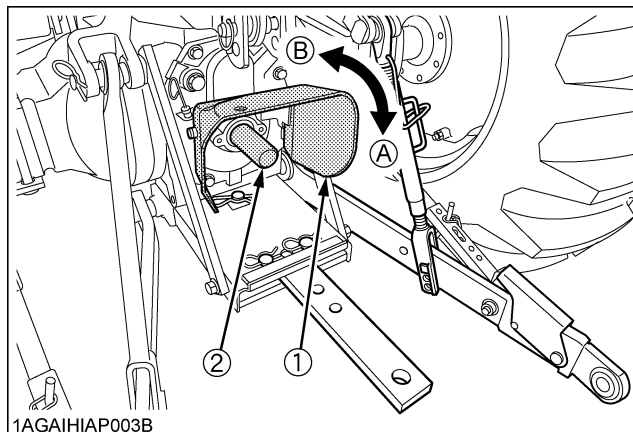
- (1) LCD monitor
(2) PTO clutch indicator



1AGAIJSAP028M

■ PTO Shaft Cover and Shaft Cap

Keep the PTO shaft cover in place at all times. Replace the PTO shaft cap when the PTO is not in use. Before connecting or disconnecting a drive shaft to PTO shaft, be sure engine is "OFF". Raise up the PTO shaft cover. Afterward be sure to return the PTO shaft cover to the "NORMAL POSITION".

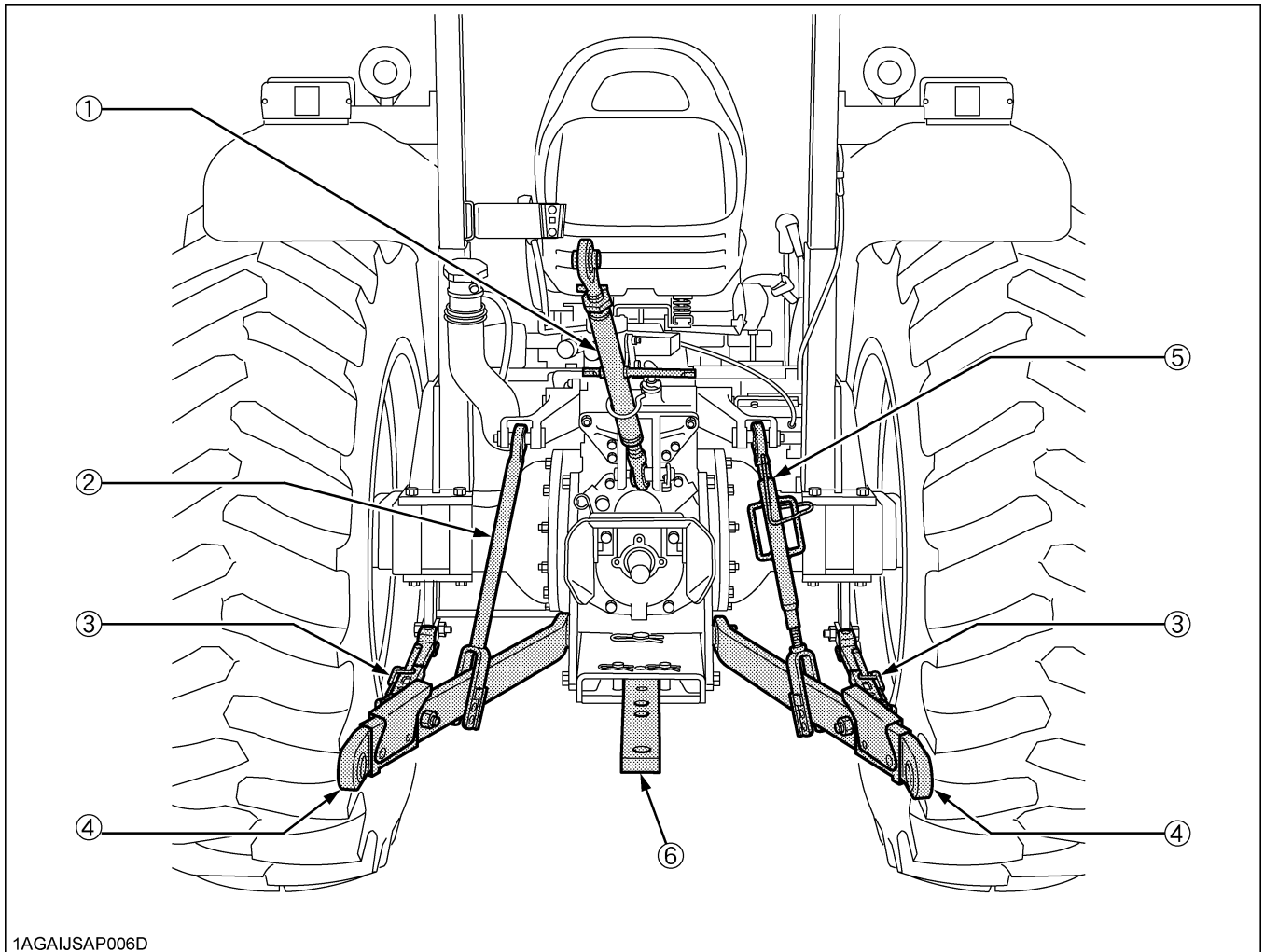


- (1) PTO shaft cover
(2) PTO shaft cap
(A) "NORMAL POSITION"
(B) "RAISED POSITION"

IMPORTANT :

- The universal joint of the PTO drive shaft is technically limited in its moving angle. Refer to the PTO Drive Shaft Instructions for proper use.

3-POINT HITCH & DRAWBAR



1AGAIJSAP006D

- (1) Top link
- (2) Lifting rod (Left)
- (3) Telescopic stabilizers
- (4) Lower link
- (5) Lifting rod (Right)
- (6) Drawbar

3-POINT HITCH

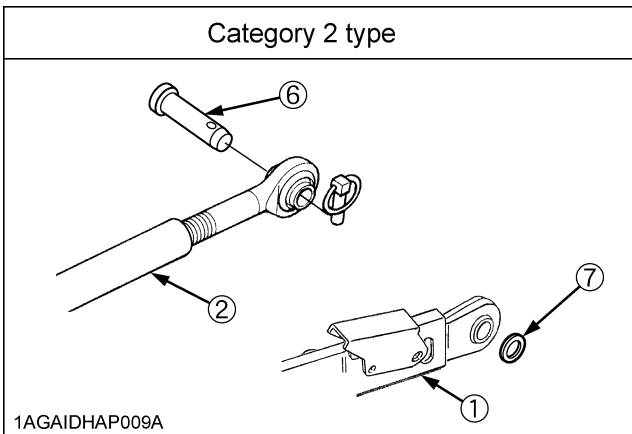
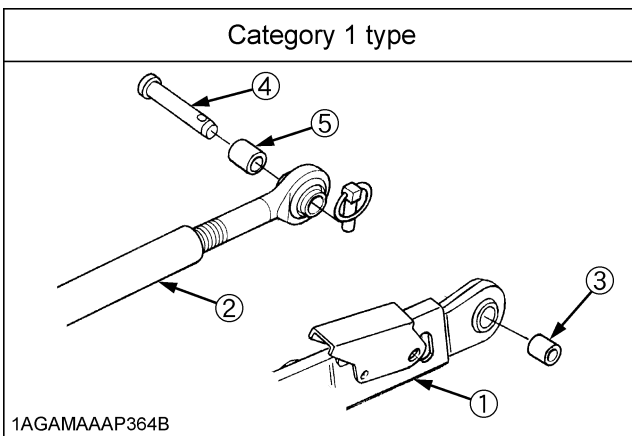
1. Make preparations for attaching implement.

■ Category 1 & 2

The standard tractor has both category 1 & 2. Category 1 type is standard and assemble all parts shown as below.

To change from category 1 to category 2.

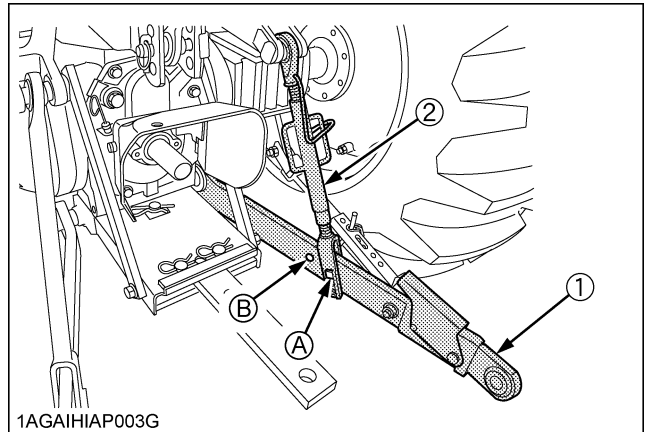
1. Remove adjusting collar from the lower link.
2. Add side collar onto both the lower links.
3. Remove adjusting collar from the rear top link pin.
4. Use the correct rear top link pin for category 2.



- | | |
|----------------------------|---------------------------|
| (1) Lower link | (5) Collar, top link (1) |
| (2) Top link | (6) Top link rear pin (2) |
| (3) Collar, lower link (1) | (7) Collar, side (2) |
| (4) Top link rear pin (1) | |

■ Selecting the holes of Lower Links

There are 2 holes in the lower links. For most operations the lifting rods should be attached to the (B) hole.



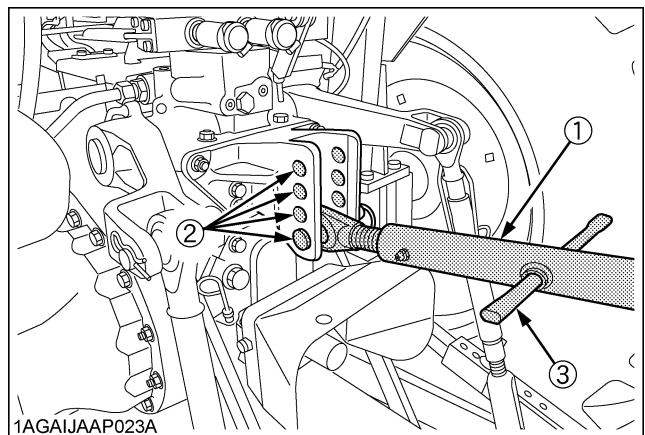
- | | |
|-----------------|-----------------|
| (1) Lower link | holes: (A), (B) |
| (2) Lifting rod | |

NOTE :

- The lifting rods may be attached to (A) for greater lifting force.

■ Selecting the Top Link Mounting Holes

Select the proper set of holes by referring to the "Hydraulic Control Unit Use Reference Chart" in "HYDRAULIC UNIT" section.



- | |
|-------------------|
| (1) Top link |
| (2) Mounting hole |
| (3) Handle |

■ Drawbar

Remove the drawbar if a close mounted implement is attached.

2. Attaching and detaching implements



WARNING

To avoid personal injury or death:

- Be sure to stop the engine.
- Do not stand between tractor and implement unless parking brake is applied.
- Before attaching or detaching implement, locate the tractor and implement on a firm level surface.
- Whenever an implement or other attachment is connected to the tractor 3-point hitch, check full range of operation for interference, binding or PTO separation.
- Do not exceed maximum allowable length of right lifting rod, or the lifting rod will come apart and the 3-point equipment may fall.

■ Lifting Rod (Right)

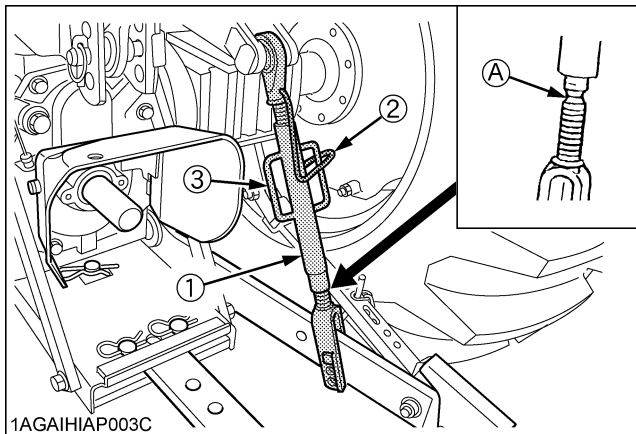


WARNING

To avoid personal injury or death:

- Do not extend lifting rod beyond the groove on the thread rod.

Level a 3-point mounted implement from side to side by turning the adjusting handle to shorten or lengthen the adjustable lifting rod with the implement on the ground. After adjustment, lock adjusting handle with handle stopper.



- (1) Lifting rod
 (2) Stopper
 (3) Adjusting handle

(A) "GROOVE"

■ Top Link

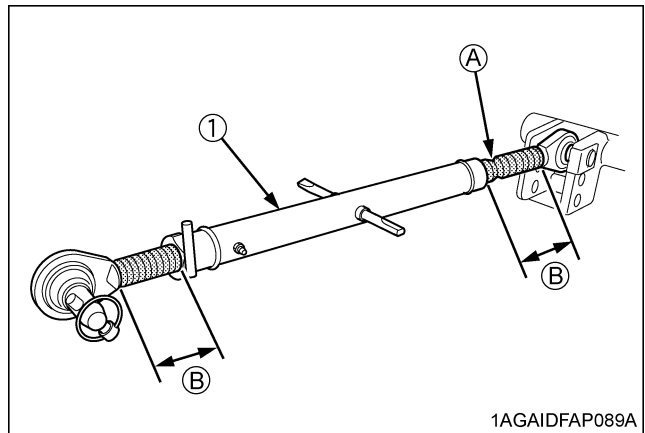


WARNING

To avoid personal injury or death:

- When extending the top link, do not exceed the groove on the top link thread, or the top link will come apart and the 3-point equipment may fall.

1. Adjust the angle of the implement to the desired position by shortening or lengthening the top link.
2. The proper length of the top link varies according to the type of implement being used.



(1) Top link

(A) "GROOVE"

(B) "Length of the screw"

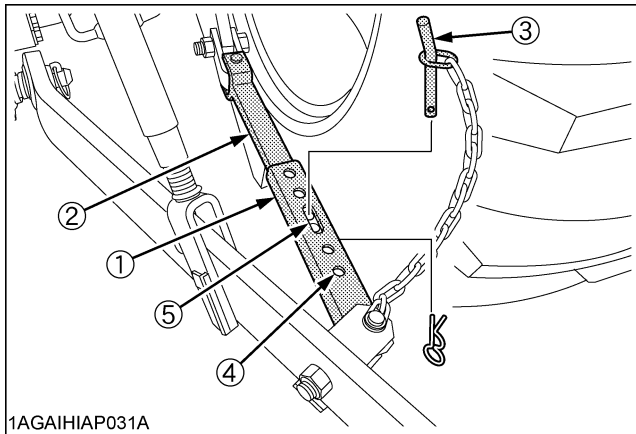
NOTE :

- The length of the screw at both ends of the top link must be the same always.

■ Telescopic Stabilizers

Adjust the telescopic stabilizers to control horizontal sway of the implement. Select the proper set of holes by referring to the "Hydraulic Control Unit Use Reference Chart" in "REMOTE HYDRAULIC CONTROL SYSTEM" in "HYDRAULIC UNIT" section.

After aligning satisfactorily, insert the set-pin through any one of the 4 holes on the outer tube that align with one of the holes on the inner bar, both stabilizers will be locked. If the set-pin is inserted through the slot to engage one of the holes on the inner bar, a limited degree of sway will be permitted.

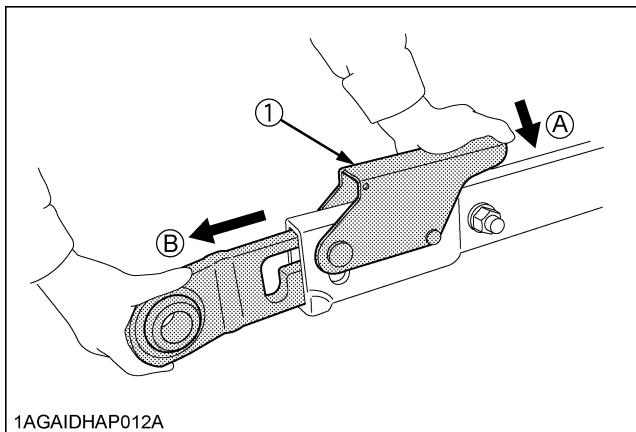


- (1) Outer tube
- (2) Inner bar
- (3) Set-pin
- (4) Hole
- (5) Slot

■ Telescopic Lower Links

To attach an implement, follow the instructions below:

1. Push the levers, pull out the lower link ends, and attach to the implement.
2. Back up the tractor slightly to make sure the lower links are pushed in securely.



- (1) Lever
- (A) "PUSH"
- (B) "PULL OUT"

DRAWBAR



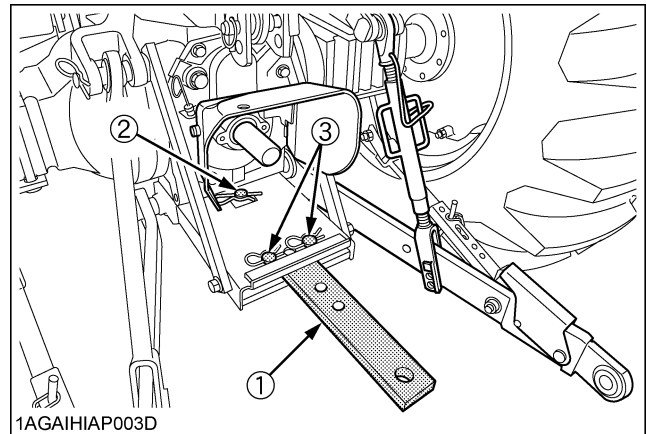
WARNING

To avoid personal injury or death:

- Never pull from the top link, the rear axle or any point above the drawbar. Doing so could cause the tractor to tip over rearward causing personal injury or death.

NOTE :

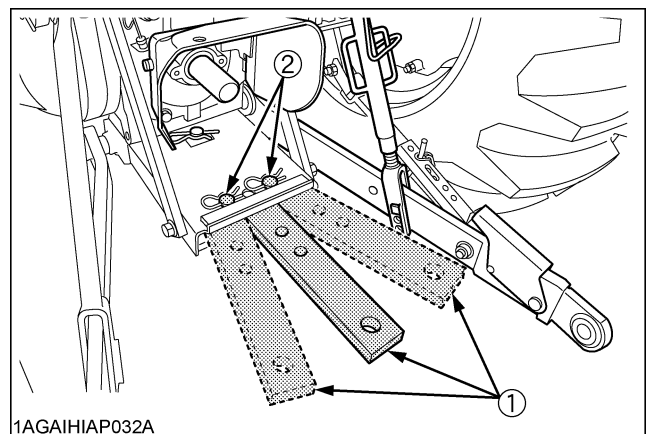
- The drawbar load is referred to "IMPLEMENT LIMITATIONS" section.



- (1) Drawbar
- (2) Pivot pin
- (3) Locating pin

■ Swing Drawbar

The drawbar can be used in 3 different ways as illustrated below. Assemble it correctly with locating pins.



- (1) Drawbar
- (2) Locating pin

HYDRAULIC UNIT

The standard tractor has following hydraulic control systems as shown below. Therefore, use the most appropriate system for the implement you are using.

◆ 3-Point Hitch Control System

1. Position Control
2. Float Control

◆ Remote Hydraulic Control System

IMPORTANT :

- Do not operate until the engine is warmed up. If operation is attempted when the engine is still cold, the hydraulic system may be damaged.
- If noises are heard when implement is lifting after the hydraulic control lever has been activated, the hydraulic mechanism is not adjusted properly. Unless corrected, the unit will be damaged. Contact your KUBOTA Dealer for adjustment.

3-POINT HITCH CONTROL SYSTEM



WARNING

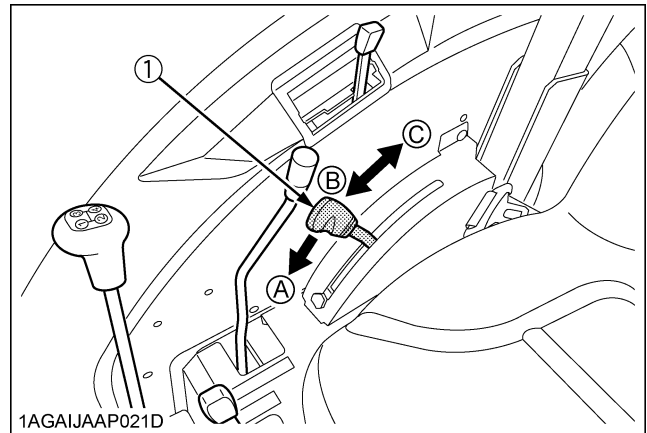
To avoid personal injury or death:

- Before using the 3-point hitch controls, ensure that no person or object is in the area of the implement or 3-point hitch. Do not stand on or near the implement or between the implement and tractor when operating the 3-point hitch controls.

■ Position Control

◆ Hydraulic control lever

This will control the working depth of 3-point hitch mounted implement regardless of the amount of pull required.



(1) Position control lever

(A) "FLOAT"

(B) "DOWN"

(C) "UP"

■ Float Control

Place the position control lever in the float position to make the lower links move freely along with the ground conditions.

■ 3-point Hitch Lowering Speed

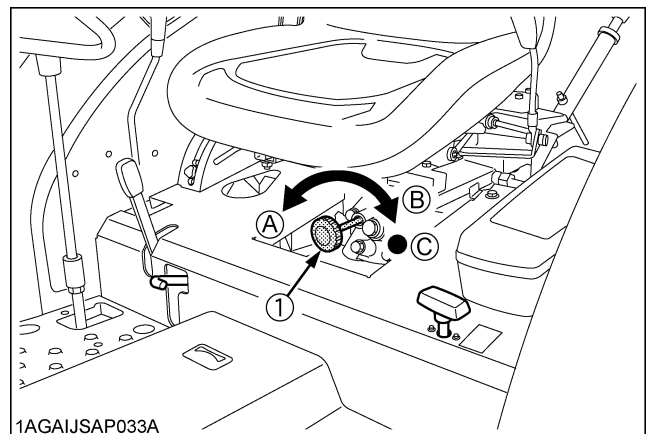


WARNING

To avoid personal injury or death:

- Fast lowering speed may cause damage or injury. Lowering speed of implement should be adjusted to 2 or more seconds.

The lowering speed of the 3-point hitch can be controlled by adjusting the 3-point hitch lowering speed knob.



(1) 3-point hitch lowering speed knob

(A) "FAST"

(B) "SLOW"

(C) "LOCK"

REMOTE HYDRAULIC CONTROL SYSTEM

The hydraulic auxiliary control valves can be installed up to triple segments.

Remote Control Valve

There are 2 types of remote valves available for these models.

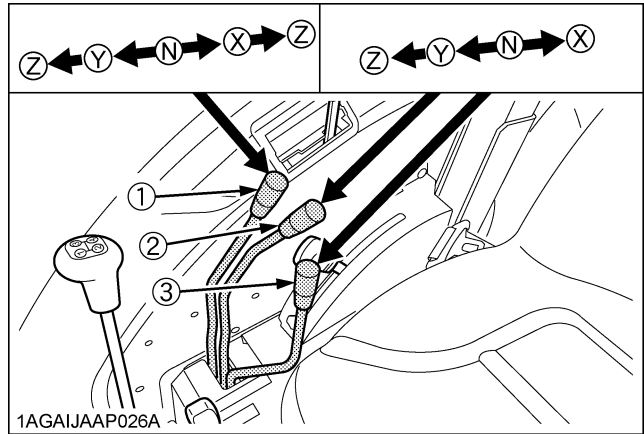
- Double acting valve with detents and self cancelling:
This valve may be placed in the detent mode. The lever will stay in this position until the pressure reaches a predetermined level or a cylinder reaches the end of its stroke. Then it will automatically return to neutral
- Double acting valve with float position:
This valve may be placed in the float mode with the control lever all the way forward. The cylinder is free to extend or retract, letting an implement such as a loader bucket follow the ground.

Remote Control Valve Lever

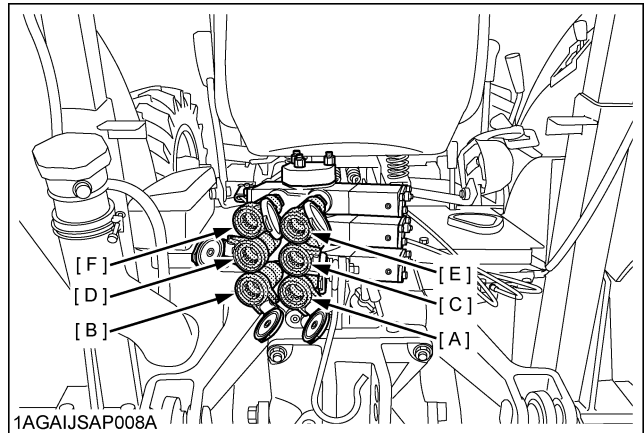
The remote control valve lever directs pressurized oil flow to the implement hydraulic system.

[Example: Installing triple segment valves]

1st	Double acting valve with detents and self cancelling (standard)
2nd 3rd	Double acting valve with float position (option)



(1) Remote control valve lever 1
(2) Remote control valve lever 2
(3) Remote control valve lever 3



Pressure →
Returning ←

Lever (1)		Lever position			
		Z (detent)	Y	X	Z (detent)
Port	[A]	out →		in ←	
	[B]	in ←		out →	

Lever (2)		Lever position			
		Z (detent)	Y	X	
Port	[C]	in	Float	out →	in ←
	[D]	out	Float	in ←	out →

Lever (3)		Lever position			
		Z (detent)	Y	X	
Port	[E]	in	Float	out →	in ←
	[F]	out	Float	in ←	out →

IMPORTANT :

- Do not hold the lever in the "pull" or "push" position once the remote cylinder has reached the end of the stroke, as this will cause oil to flow through the relief valve. Forcing oil through the relief valve for extended periods will overheat the oil.
- When using the tractor hydraulic system to power front loader, do not operate boom and bucket cylinders simultaneously.

NOTE :

- Connect the pressure of load side of implement cylinders to ports [B], [D] or [F] which have built in load check valve to prevent leak down.
- To use the single-acting cylinder with the float valve, connect this cylinder to the [B], [D] or [F] port. To extend a single-acting cylinder, pull the remote control valve lever rearward. To retract a cylinder, push it fully forward to the "FLOAT" position. Do not hold it in the down position, the transmission fluid may be overheat.

**Remote Control Valve Coupler
Connecting and Disconnecting****WARNING**

To avoid personal injury or death:

- Stop the engine and relieve pressure before connecting or disconnecting lines.
- Do not use your hand to check for leaks.

◆ Connecting

1. Clean both couplers.
2. Remove dust plugs.
3. Insert the implement coupler to the tractor hydraulic coupler.
4. Pull the implement coupler slightly to make sure couplers are firmly connected.

◆ Disconnecting

1. Lower the implement first to the ground to release hydraulic pressure in the hoses.
2. Clean the couplers.
3. Relieve pressure by moving hydraulic control levers with engine shut off. Pull the hose straight from the hydraulic coupler to release it.
4. Clean oil and dust from the coupler, then replace the dust plugs.


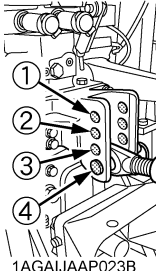
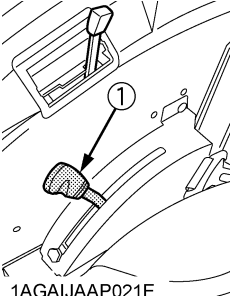
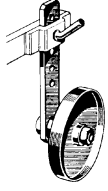
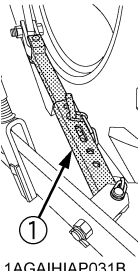
NOTE :

- Your local KUBOTA Dealer can supply parts to adapt couplers to hydraulic hoses.
-

Hydraulic Control Unit Use Reference Chart

In order to handle the hydraulics properly, the operator must be familiar with the following.

Though this information may not be applicable to all types of implements and soil conditions, it is useful for general conditions.

Implement	 1AGAIJAP023B Soil condition	 1AGAIJAP023B Top link mounting holes	 1AGAIJAP021E (1) Position control lever	 1AGAIJAP070A Gauge wheel	 1AGAIHIAP031B (1) Telescopic stabilizers	Remarks
Moldboard plow	Light soil Medium soil Heavy soil	3 or 4 2 or 3 2 or 3	Position control	YES/NO	Loose	Insert the set-pin through the slot on the outer tube that align with one of the holes on the inner bar. For implements with gauge wheels, lower the position control lever all way.
Disc plow	---	2, 3 or 4		YES/NO	Loose	
Harrow (spike, springtooth, disc type)	---	2 or 3		YES/NO	Loose	
Sub-soiler ...	---	2, 3 or 4		YES	Tighten	Telescopic stabilizer should be tight enough to prevent excessive implement movement when implement is in raised position. For implements with gauge wheels, lower the position control lever all way.
Weeder, ridger...	---	3		YES/NO	Tighten	
Earthmover, digger, scraper, manure fork, rear carrier.....	---	3		NO	Tighten	
Mower (mid-and rear-mount type) Hayrake, tedder.....	---	3		NO	Tighten	

TIRES, WHEELS AND BALLAST

TIRES



WARNING

To avoid personal injury or death:

- Do not attempt to mount a tire on a rim. This should be done by a qualified person with the proper equipment.
- Always maintain the correct tire pressure. Do not inflate tires above the recommended pressure shown in the operator's manual.

IMPORTANT :

- Do not use tires other than those approved by KUBOTA.

NOTE :

- When optional different-diameter tires are fitted on the machine, the travel speed display mode must be changed. Otherwise the travel speed will not get correctly displayed. Such mode switching is also needed when the original tires are back on the machine.
(See "LCD MONITOR" in "OPERATING THE TRACTOR" section.)

■ Inflation Pressure

Though the tire pressure is factory-set to the prescribed level, it naturally drops slowly in the course of time. Thus, check it everyday and inflate as necessary.

NOTE :

- Maintain the maximum pressure in front tires, if using a front loader or when equipped with a full load of front weights.

	Tire sizes	Inflation Pressure
Front 4WD	8.3-24, 6PR	200 kPa (2.0 kgf/cm ² , 29 psi.)
	9.5-22, 6PR	200 kPa (2.0 kgf/cm ² , 29 psi.)
	11.2R20 (280/85R20)	200 kPa (2.0 kgf/cm ² , 29 psi.)
	29x12.5-15NHS	138 kPa (1.4 kgf/cm ² , 20 psi.)
	12.5/80-18, R4	317 kPa (3.2 kgf/cm ² , 46 psi.)
Front 2WD	6.50-16, 6PR	317 kPa (3.2 kgf/cm ² , 46 psi.)
	7.50-16, 6PR	276 kPa (2.8 kgf/cm ² , 40 psi.)
	9.5L-15, 6PR	220 kPa (2.2 kgf/cm ² , 32 psi.)
	29x12.5-15NHS	138 kPa (1.4 kgf/cm ² , 20 psi.)
Rear	14.9-28	138 kPa (1.4 kgf/cm ² , 20 psi.)
	16.9-28	124 kPa (1.3 kgf/cm ² , 18 psi.)
	21.5L-16.1, R3	83 kPa (0.84 kgf/cm ² , 12 psi.)
	16.9-24, R4	200 kPa (2.0 kgf/cm ² , 29 psi.)

■ Dual Tires

Dual tires are not approved.

WHEEL ADJUSTMENT



WARNING

To avoid personal injury or death:

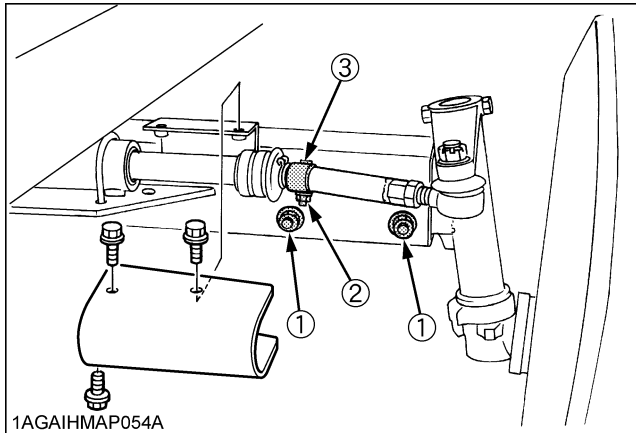
- When working on slopes or when working with trailer, set the wheel tread as wide as practical for maximum stability.
- Support tractor securely on stands before removing a wheel.
- Do not work under any hydraulically supported devices. They can settle, suddenly leak down, or be accidentally lowered. If necessary to work under tractor or any machine elements for servicing or adjustment, securely support them with stands or suitable blocking beforehand.
- Never operate tractor with a loose rim, wheel, or axle.

■ Front Wheels (with 2-wheel drive)

Front tread width can be adjusted as shown with the standard equipped tires.

To change the tread width

1. Remove the front axle mounting bolts and the tie-rod mounting bolts.
2. Move the front axles (right and left) to the desired position, and tighten the bolts.
3. Adjust the toe-in: [1 to 5 mm (0.04 to 0.2 in.)]
(See "Adjusting Toe-in" in "EVERY 200 HOURS" in "PERIODIC SERVICE" section.)



- (1) Front axle mounting bolt
124 to 147 N-m (12.6 to 15 kgf-m) [91.5 to 108.9 ft-lbs.]
- (2) Tie-rod mounting bolt
61 to 71 N-m (6.2 to 7.2 kgf-m) [44.8 to 52.1 ft-lbs.]
- (3) Tie rod clamp

	1420 mm (55.9 in.)
	1520 mm (59.8 in.)
	1620 mm (63.8 in.)
	1720 mm (67.7 in.)
	1820 mm (71.7 in.)

1AGAIBHAP040A

(1) Extension1

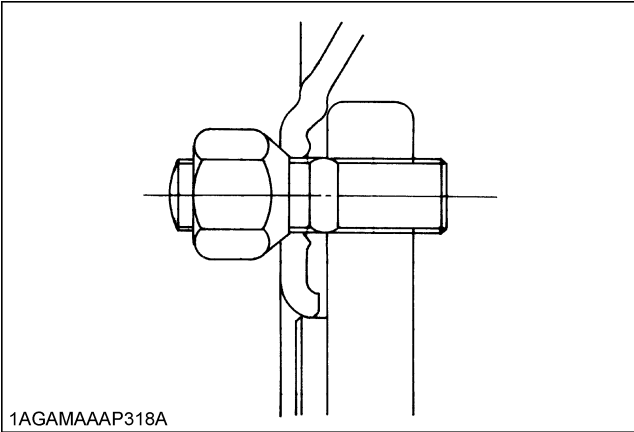
(A) "TREAD"

IMPORTANT :

- The front tread width for the front loader application on 2WD models should not be greater than 1420 mm (55.9 in.).

NOTE :

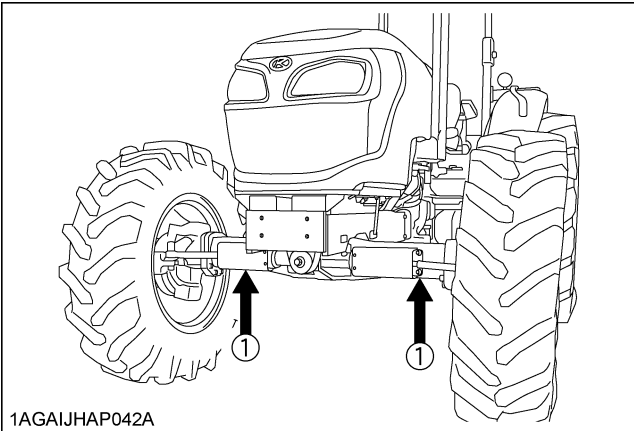
- Wheels with beveled or tapered holes: Use the tapered side of lug nut.



WARNING

To avoid personal injury or death:

- Before jacking up the tractor, park it on a firm and level ground and chock the rear wheels.
- Fix the front axle to keep it from swinging.
- Select jacks that withstand the machine weight and set them up as shown below.



(1) Jack points

Front Wheels (with 4-wheel drive)

Front tread width can be adjusted as shown with the standard equipped tires.

To change the tread width

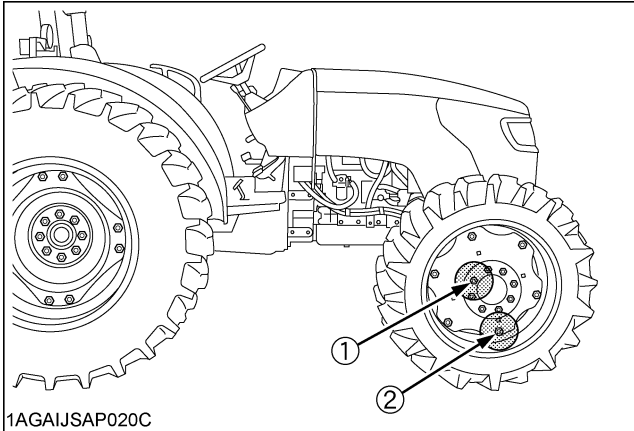
1. Remove the wheel rim and disk mounting bolts.
2. Change the position of the rim and tire to the desired position, and tighten the bolts.
3. Adjust the toe-in [2 to 8mm (0.1 to 0.3 in.)]
See "Adjusting Toe-in" in "EVERY 200 HOURS" in "PERIODIC SERVICE" section.

<p>8.3-24</p> <p>1300 mm (57.2 in.)</p> <p>1400 mm (55.1 in.)</p>	<p>1300 mm (57.2 in.)</p> <p>1400 mm (55.1 in.)</p>
<p>9.5-22</p> <p>1330 mm (52.4 in.)</p> <p>1430 mm (56.3 in.)</p>	<p>1330 mm (52.4 in.)</p> <p>1430 mm (56.3 in.)</p>
<p>29x12.5-15</p> <p>1400 mm (55.1 in.)</p>	<p>12.5/80-18</p> <p>1390 mm (54.7 in.)</p>
<p>11.2R20 (280/85R20)</p> <p>1435 mm (56.5 in.)</p>	<p>1435 mm (56.5 in.)</p>

1AGAIJSAP032A

IMPORTANT :

- Always attach wheels as shown in the drawing.
- If not attached as illustrated, transmission parts may be damaged.
- When re-fitting or adjusting a wheel, tighten the bolts to the following torques then recheck after driving the tractor 200m (200 yards) and 10 times of shuttle movement by 5 m (5 yards), and thereafter according to service interval. (See "MAINTENANCE" section.)

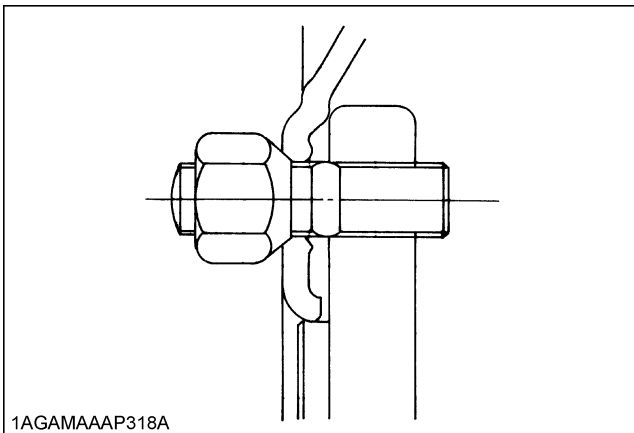


1AGAIJSAP020C

- (1) 260 to 304 N-m (26.5 to 31 kgf-m) (192 to 224 ft-lbs)
- (2) [8.3-24] 244 N-m (24.9 kgf-m) (180 ft-lbs)
[9.5-22] 260 to 304 N-m (26.5 to 31 kgf-m) (192 to 224 ft-lbs)

NOTE :

- Wheels with beveled or tapered holes: Use the tapered side of lug nut.



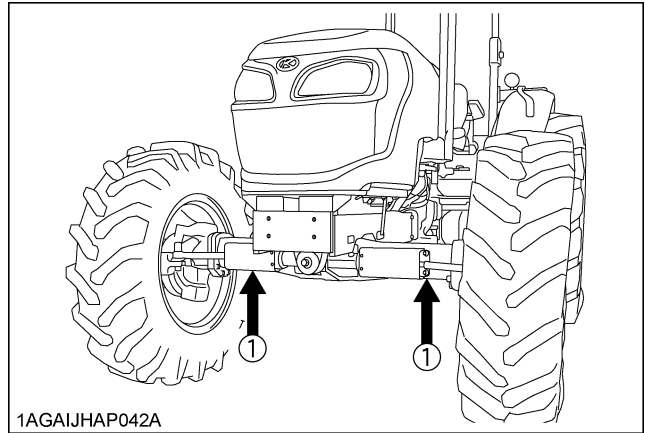
1AGAMAAAP318A



WARNING

To avoid personal injury or death:

- Before jacking up the tractor, park it on a firm and level ground and chock the rear wheels.
- Fix the front axle to keep it from swinging.
- Select jacks that withstand the machine weight and set them up as shown below.



1AGAIJHAP042A

- (1) Jack points

■ Rear Wheels

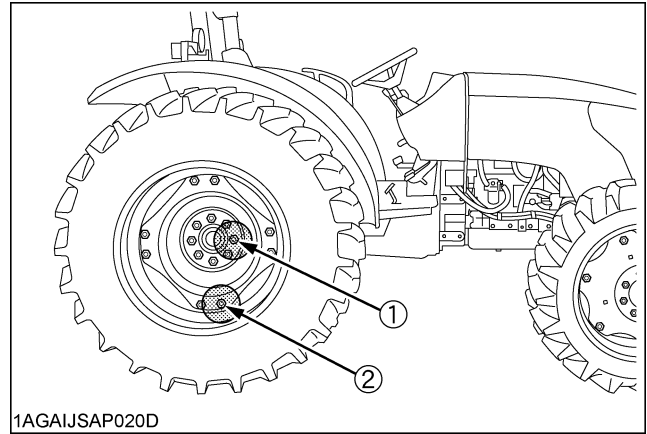
Rear tread width can be adjusted as shown with the standard equipped tires.

To change the tread width

1. Remove the wheel rim and / or disk mounting bolts.
2. Change the position of the rim and / or disk (right and left) to the desired position, and tighten the bolts.

IMPORTANT :

- Always attach wheels as shown in the drawing.
- If not attached as illustrated, transmission parts may be damaged.
- When re-fitting or adjusting a wheel, tighten the bolts to the following torques then recheck after driving the tractor 200m (200 yards) and 10 times of shuttle movement by 5 m (5 yards), and thereafter according to service interval. (See "MAINTENANCE" section.)



1AGAIJSAP020D

- (1) 260 to 304 N-m (26.5 to 31.0 kgf-m) (191.8 to 224.2 ft-lbs)
- (2) [Steel disk] 244 N-m (24.9 kgf-m) (180 ft-lbs)

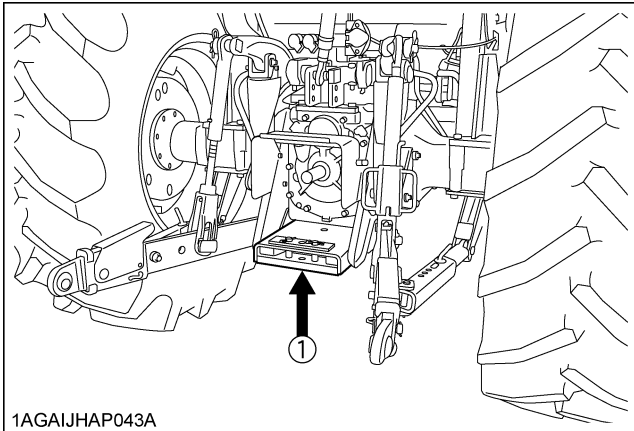
	14.9-28	1320 mm (52 in.)					
	16.9-28	-					
21.5L-16.1			16.9-24,R4				

1AGAIHIAP058A

**WARNING**

To avoid personal injury or death:

- Before jacking up the tractor, park it on a firm and level ground and chock the front wheels.
- Fix the front axle to keep it from swinging.
- Select a jack that withstands the machine weight and set it up as shown below.



1AGAIJHAP043A

(1) Jack point

BALLAST**WARNING**

To avoid personal injury or death:

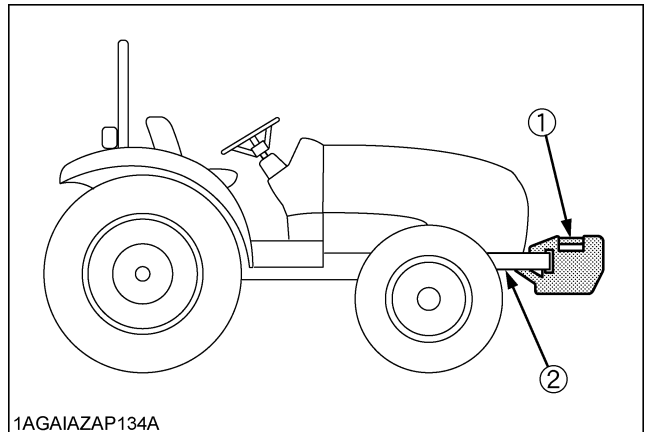
- Additional ballast will be needed for transporting heavy implements. When the implement is raised, drive slowly over rough ground, regardless of how much ballast is used.
- Do not fill the front wheels with liquid to maintain steering control.

■ Front Ballast

Add weights if needed for stability (2WD, 4WD models) and improve traction (4WD model). Heavy pulling and heavy rear mounted implements tend to lift front wheels. Add enough ballast to maintain steering control and prevent tip over. Remove weight when no longer needed.

◆ Front End Weights (option)

The front end weights can be attached to the bumper. See your implement operator's manual for required number of weights or consult your local KUBOTA Dealer to use.



1AGAI AZAP134A

(1) Front end weights

(2) Bumper

IMPORTANT :

- Do not overload tires.
- Add no more weight than indicated in chart.
- Do not attach the front bumper when the front loader is attached.

Maximum weight	47 kg x 8 pieces (830 lbs.)
----------------	--------------------------------

■ Rear Ballast

Add weight to rear wheels if needed to improve traction or for stability. The amount of rear ballast should be matched to job and the ballast should be removed when it is not needed.

The weight should be added to the tractor in the form of liquid ballast, rear wheel weights or a combination of both.

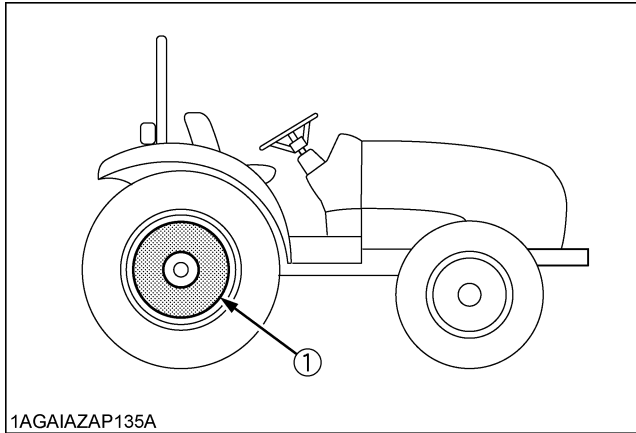
◆ Cast Iron Disk (option)

The cast iron rear wheel disk may be utilized to provide additional rear weight.

Tire size	Cast Iron Disk
14.9-28	158 kg x 2 Pieces (700 lbs.)

◆ Rear Wheel Weights (option)

The rear wheel weights can be attached to the rear wheel. See your implement operator's manual for required number of weights or consult your local KUBOTA Dealer to use.



1AGAIAZAP135A

(1) Rear wheel weights

IMPORTANT :

- Do not overload tires.
- Add no more weight than indicated in chart.

Rear wheel weight	73 kg x 2 pieces (320 lbs.)
	47 kg x 3 pieces (310 lbs.)

◆ Liquid Ballast in Rear Tires

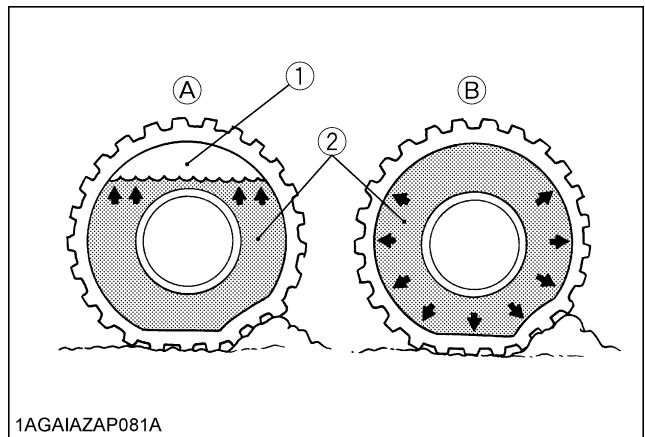
Water and calcium chloride solution provides safe economical ballast. Used properly, it will not damage tires, tubes or rims. The addition of calcium chloride is recommended to prevent the water from freezing. Use of this method of weighting the wheels has the full approval of the tire companies. See your tire dealer for this service.

Liquid weight per tire (75 Percent filled) kg (lbs.)

Tire sizes	14.9-28	16.9-28	21.5L-16.1	16.9-24,R4
Slush free at -10 °C (-14 °F) Solid at -30 °C (-22 °F) [Approx. 1 kg (2 lbs.) CaCl ₂ per 4 L (1 gal.) of water]	230 (570)	295 (651)	---	---
Slush free at -24 °C (-11 °F) Solid at -47 °C (-53 °F) [Approx. 1.5 kg (3.5 lbs.) CaCl ₂ per 4 L (1 gal.) of water]	247 (545)	317 (699)	290 (639)	280 (616)
Slush free at -47 °C (-53 °F) Solid at -52 °C (-62 °F) [Approx. 2.25 kg (5 lbs.) CaCl ₂ per 4 L (1 gal.) of water]	260 (574)	339 (747)	308 (680)	296 (654)

IMPORTANT :

- Do not fill tires with water or solution more than 75% of full capacity (to the valve stem level).



1AGAIAZAP081A

- (1) Air (A) Correct-75% Air compresses like a cushion
 (2) Water (B) Incorrect-100% Full Water can not be compressed

MAINTENANCE

SERVICE INTERVALS

No.	Items		Indication on hour meter													Interval	Ref. page			
			50	100	150	200	250	300	350	400	450	500	550	600	650				700	
1	Engine start system	Check	○	○	○	○	○	○	○	○	○	○	○	○	○	○	○	every 50 Hr	68	
2	Wheel bolt torque	Check	○	○	○	○	○	○	○	○	○	○	○	○	○	○	every 50 Hr	69		
3	Tie-rod dust cover	Check	○	○	○	○	○	○	○	○	○	○	○	○	○	○	every 50 Hr	70	*4	
4	Battery condition	Check		○		○		○		○		○		○		○	every 100 Hr	73	*5	
5	Greasing	---		○		○		○		○		○		○		○	every 100 Hr	70		
6	Fan belt	Adjust		○		○		○		○		○		○		○	every 100 Hr	72		
7	Brake Pedal	Adjust		○		○		○		○		○		○		○	every 100 Hr	73		
8	Air cleaner element	Primary element	Clean		○		○		○		○		○		○		every 100 Hr	71	*1	
		Secondary element	Replace														every 1 year	83	*2	
			Replace															every 1 year	83	
9	Fuel line	Check		○		○		○		○		○		○		○	every 100 Hr	72		
		Replace															every 2 years	84	*4	
10	Toe-in	Adjust				○					○				○		every 200 Hr	76		
11	Fuel tank water	Drain				○					○				○		every 200 Hr	77		
12	Power steering oil line	Check				○					○				○		every 200 Hr	76		
		Replace															every 2 years	84	*4	
13	Radiator hose and clamp	Check				○					○				○		every 200 Hr	75		
		Replace															every 2 years	84		
14	Intake air line	Check				○					○				○		every 200 Hr	75		
		Replace															every 2 years	84	*3 *4	
15	Hydraulic oil filter	Replace	◎					○						○			every 300 Hr	77		
16	Engine oil	Change	◎								○						every 400 Hr	78		
17	Engine oil filter	Replace	◎								○						every 400 Hr	79		

No.	Items		Indication on hour meter													Interval	Ref. page			
			50	100	150	200	250	300	350	400	450	500	550	600	650				700	
18	Fuel filter	Replace																every 400 Hr	79	
19	Water separator	Clean																every 400 Hr	79	
20	Greasing (2WD front wheel hub)	---																every 400 Hr	80	
21	Transmission fluid	Change	⊙													○		every 600 Hr	80	
22	Front differential case oil	Change														○		every 600 Hr	81	
23	Front axle gear case oil	Change														○		every 600 Hr	81	
24	Front axle pivot	Adjust														○		every 600 Hr	82	
25	Engine valve clearance	Adjust																every 800 Hr	82	*4
26	Fuel injector nozzle tip	Clean																every 1500 Hr	82	*4 @
27	Oil separator element	Replace																every 1500 Hr	82	@
28	EGR cooler	Check Clean																every 1500 Hr	82	*4 @
29	EGR system	Check Clean																every 3000 Hr	82	*4 @
30	Turbo charger	Check																every 3000 Hr	82	*4 @
31	Supply pump	Check																every 3000 Hr	82	*4
32	DPF muffler	Clean																every 3000 Hr	83	*4 @
33	Exhaust manifold	Check																every 1 year	83	*4
34	DPF related pipe	Check																every 1 year	83	*4
35	EGR pipe	Check																every 1 year	83	*4
36	Cooling system	Flush																every 2 years	83	
37	Coolant	Change																every 2 years	84	
38	Oil separator related rubber pipe	Replace																every 2 years	84	*4
39	PCV (Positive Crankcase Ventilation) valve hose	Replace																every 2 years	84	*4
40	DPF related rubber pipe	Replace																every 2 years	84	*4
41	EGR cooler rubber pipe	Replace																every 2 years	84	*4
42	Boost sensor hose	Replace																every 2 years	85	*4

No.	Items		Indication on hour meter													Interval	Ref. page				
			50	100	150	200	250	300	350	400	450	500	550	600	650					700	
43	Fuel system	Bleed																Service as required	85		
44	Clutch housing water	Drain															85				
45	Fuse	Replace															85				
46	Light bulb	Replace															87				

IMPORTANT :

- The jobs indicated by © must be done after the first 50 hours of operation.
- *1 Air cleaner should be cleaned more often in dusty conditions than in normal conditions.
- *2 Every year or every 6 times of cleaning.
- *3 Replace only if necessary.
- *4 Consult your local KUBOTA Dealer for this service.
- *5 When the battery is used for less than 100 hours per year, check the battery condition by reading the indicator annually.
- The items listed above (@ marked) are registered as emission related critical parts by KUBOTA in the U.S.EPA nonroad emission regulation. As the engine owner, you are responsible for the performance of the required maintenance on the engine according to the above instruction.
Please see Warranty Statement in detail.

LUBRICANTS, FUEL AND COOLANT

No.	Locations	Capacities	Lubricants	
1	Fuel	67 L (17.7 U.S.gals.)	No.2-D S15 diesel fuel No.1-D S15 diesel fuel if temperature is below -10°C (14°F)	
2	Coolant	8 L (8.5 U.S.qts.) (Recovery tank: 1.0 L (1.1 U.S.qts.))	Fresh clean soft water with anti-freeze	
3	Engine crankcase (with filter)	7.2 L (7.6 U.S.qts.)	• Engine oil: API Service Classification	CJ-4 [External DPF type engine]
			Above 25°C (77°F)	SAE30, SAE10W-30 or 15W-40
			-10°C to 25°C (14 to 77°F)	SAE20, SAE10W-30 or 15W-40
			Below -10°C (14°F)	SAE10W-30
4	Transmission case	48 L (50.7 U.S.qts.)	• KUBOTA SUPER UDT2 fluid	
5	Front differential case [4WD]	6.5 L (6.9 U.S.qts.)	• KUBOTA SUPER UDT2 fluid or SAE 80 - SAE 90 gear oil	
6	Front axle gear case [4WD]	3.0 L (3.2 U.S.qts.)		
7	Greasing	No. of greasing points	Capacity	Type of grease
	Top link	2	Until grease overflows.	Multipurpose Grease NLGI-2 OR NLGI-1(GC-LB)
	Lift rod	1		
	Front axle gear case support [4WD]	2		
	Front axle support	2		
	Front wheel hub [2WD]	2		
	Knuckle shaft [2WD]	2		
	Battery terminal	2		

NOTE :

The product name of KUBOTA genuine UDT fluid may be different from that in the Operator's Manual depending on countries or territories. Consult your local KUBOTA Dealer for further details.

NOTE :

◆ **Engine Oil:**

- Oil used in the engine should have an American Petroleum Institute (API) service classification and Proper SAE Engine Oil according to the ambient temperatures as shown above:
- Refer to the following table for the suitable API classification engine oil according to the engine type (with DPF (Diesel Particulate Filter) type engines) and the fuel.

Fuel used	Engine oil classification (API classification)
	Oil class for engines with DPF
Ultra Low Sulfur Fuel [<0.0015% (15 ppm)]	CJ-4

◆ **Fuel:**

- Use the ultra low sulfur diesel fuel only [below 0.0015% (15 ppm)] for these engines.
- Cetane number of 45 minimum. Cetane number greater than 50 is preferred, especially for temperatures below -20°C (-4 °F) or elevations above 1500 m (5000 ft).
- Diesel fuels specified to EN 590 or ASTM D975 are recommended.
- No.2-D is a distillate fuel of lower volatility for engines in industrial and heavy mobile service. (SAE J313 JUN87)

◆ **Transmission Oil:**

*KUBOTA Super UDT-2: For an enhanced ownership experience, we highly recommend Super UDT-2 to be used instead of standard hydraulic/transmission fluid.

Super UDT-2 is a proprietary KUBOTA formulation that delivers superior performance and protection in all operating conditions.

Regular UDT is also permitted for use in this machine.

- Indicated capacities of water and oil are manufacturer's estimate.

PERIODIC SERVICE



WARNING

To avoid personal injury or death:

- Do not work under any hydraulically supported devices. They can settle, suddenly leak down, or be accidentally lowered. If necessary to work under tractor or any machine elements for servicing or adjustment, securely support them with stands or suitable blocking beforehand.

HOW TO OPEN THE HOOD



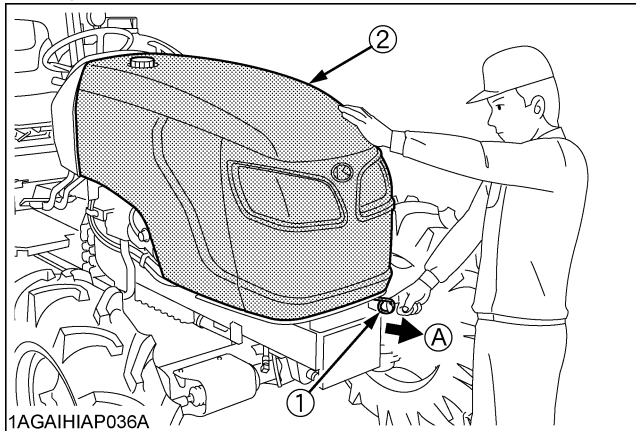
WARNING

To avoid personal injury or death from contact with moving parts;

- Never open the hood while the engine is running.
- Do not touch muffler or exhaust pipes while they are hot; Severe burns could result.
- Hold the hood with other hand while unlocking release lever.

■ Hood

To open the hood, hold the hood and pull the release lever and open the hood.

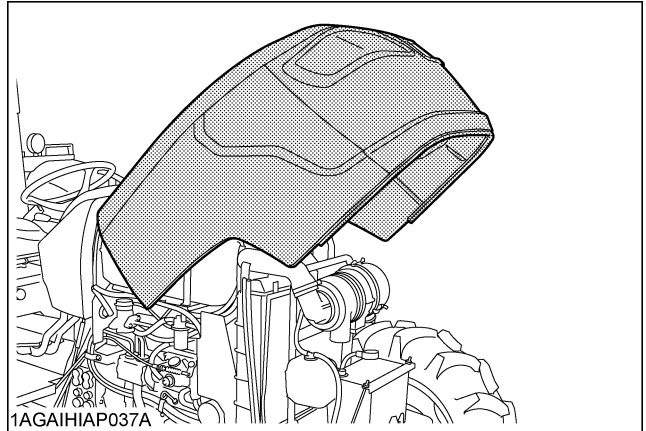


(1) Release lever
(2) Hood

(A) "PULL"

NOTE :

- To close the hood, push the hood into position using both hands.



DAILY CHECK

For your own safety and maximum service life of the machine, make a thorough daily inspection before operating the machine to start the engine.



WARNING

To avoid personal injury or death:

Take the following precautions when checking the tractor.

- Park the machine on firm and level ground.
- Set the parking brake.
- Lower the implement to the ground.
- All residual pressure of the hydraulic system released.
- Stop the engine and remove the key.

■ Walk Around Inspection

Look around and under the tractor for such items as loose bolts, trash build-up, oil or coolant leaks, broken or worn parts.

■ Checking and Refueling

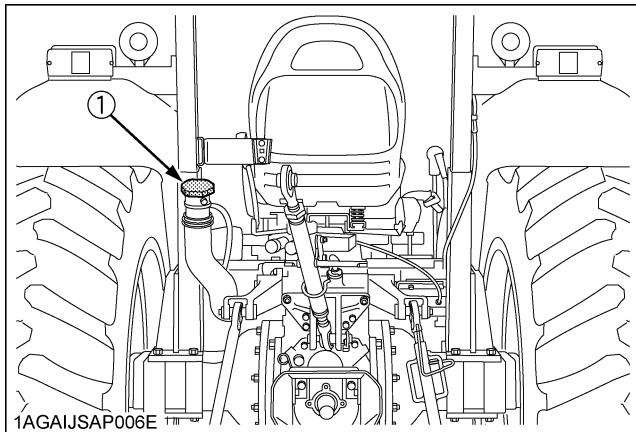


WARNING

To avoid personal injury or death:

- Do not smoke while refueling.
- Be sure to stop the engine before refueling.

1. Check the amount of fuel by fuel gauge.
2. When the fuel warning indicator lights up, it is time to add fuel.



(1) Fuel tank cap

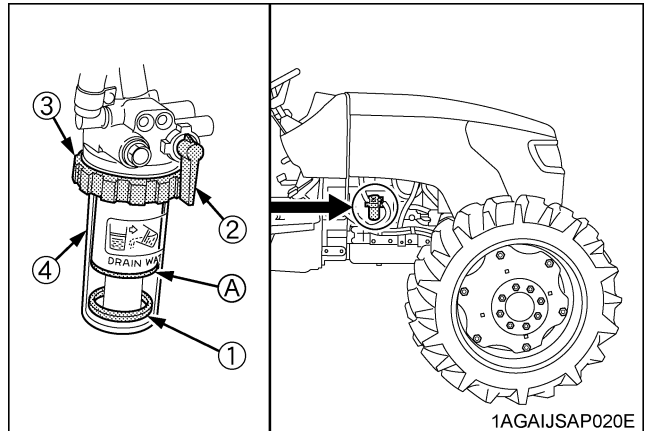
Fuel tank capacity	67 L (17.7 U.S.gals.)
--------------------	-----------------------

IMPORTANT :

- Be sure to use Ultra Low Sulfur Fuel (S15).
- Do not permit dirt or trash to get into the fuel system.
- Be careful not to let the fuel tank become empty, otherwise air will enter the fuel system, necessitating bleeding before next engine start.
- If the engine runs out of fuel and stalls, the engine components may be damaged.
- Be careful not to spill during refueling. If a spill should occur, wipe it off at once, or it may cause a fire.
- To prevent condensation (water) accumulation in the fuel tank, fill the tank before parking overnight.

■ Checking Water Separator

1. As water is collected in the water separator, the red float is raised.
2. When the red float has reached the white line, close the fuel cock, loosen the retainer ring, take out the cup, and clean the cup. Be careful not to break the element.
3. Place the cup back into position. Bleed the fuel system.
(See "SERVICE AS REQUIRED" in "PERIODIC SERVICE" section.)



(1) Red float

(2) Fuel cock

(3) Retainer ring

(4) Cup

(A) "WHITE LINE"

IMPORTANT :

- If water is drawn through to the fuel pump, extensive damage will occur.

■ Checking Engine Oil Level

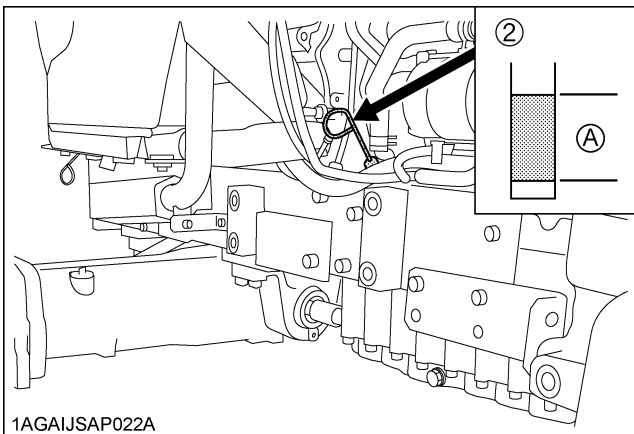
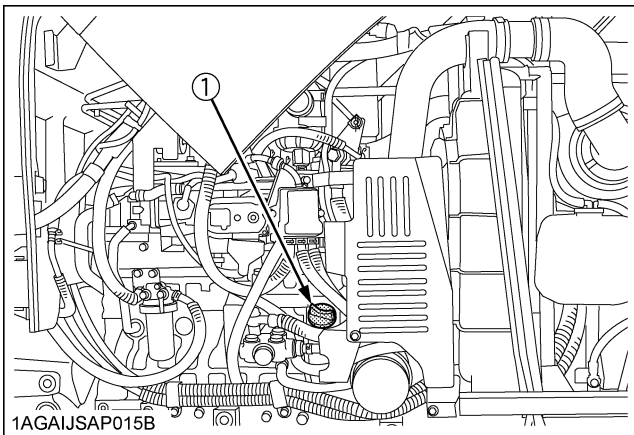


WARNING

To avoid personal injury or death:

- Be sure to stop the engine before checking the oil level.

1. Park the machine on a flat surface.
2. Check engine oil before starting the engine or 5 minutes or more after the engine has stopped.
3. To check the oil level, draw out the dipstick, wipe it clean, replace it, and draw it out again. Check to see that the oil level lies between the 2 notches. If the level is too low, add new oil to the prescribed level at the oil inlet.
(See "LUBRICANTS" in "MAINTENANCE" section.)



(1) Oil inlet (A) Oil level is acceptable within this range.
(2) Dipstick

IMPORTANT :

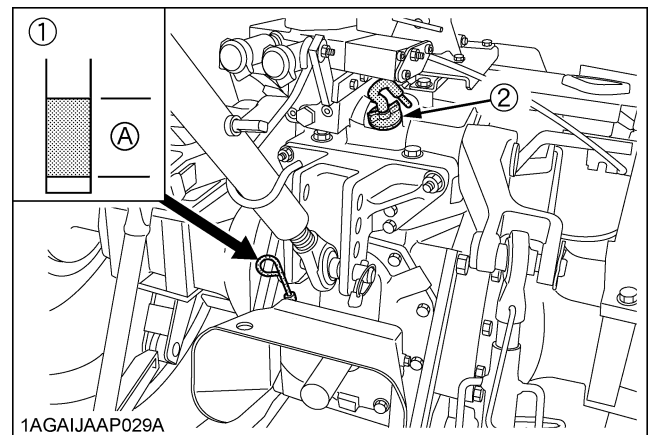
- When using an oil of different maker or viscosity from the previous one, remove all of the old oil. Never mix two different types of oil.
- If oil level is low, do not run engine.

NOTE :

- At times a small amount of fuel, which is used to regenerate the DPF, may get mixed with the engine oil and the engine oil may increase in volume.

■ Checking Transmission Fluid Level

1. Park the machine on a flat surface, lower the implement and shut off engine.
2. To check the oil level, draw out the dipstick, wipe it clean, replace it, and draw it out again. Check to see that the oil level lies between the 2 notches. If the level is too low, add new oil to the prescribed level at the oil inlet.
(See "LUBRICANTS" in "MAINTENANCE" section.)



(1) Dipstick (A) Oil level is acceptable within this range.
(2) Oil inlet

IMPORTANT :

- If oil level is low, do not run engine.

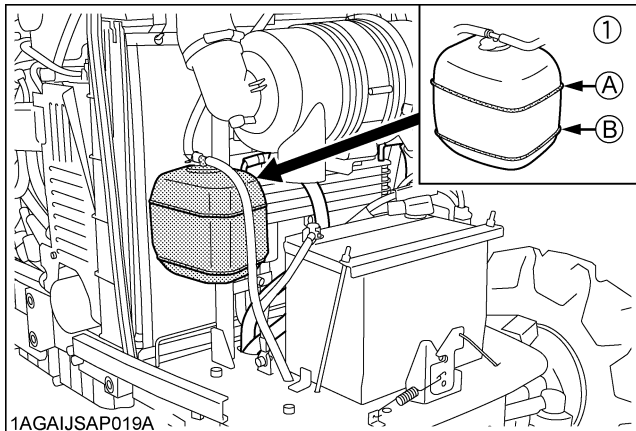
■ Checking Coolant Level

WARNING

To avoid personal injury or death:

- Do not remove radiator cap while coolant is hot. When cool, slowly rotate cap to the first stop and allow sufficient time for excess pressure to escape before removing the cap completely.

1. Check to see that the coolant level is between the "FULL" and "LOW" marks of recovery tank.
2. When the coolant level drops due to evaporation, add soft water only up to the full level.
In case of leakage, add anti-freeze and soft water in the specified mixing ratio up to the full level.
(See "Flushing Cooling System and Changing Coolant" in "EVERY 2 YEARS" in "PERIODIC SERVICE" section.)
3. When the coolant level is lower than "LOW" mark of recovery tank, remove the radiator cap and check to see that the coolant level is just below the port. If level is low, add coolant.



(1) Recovery tank

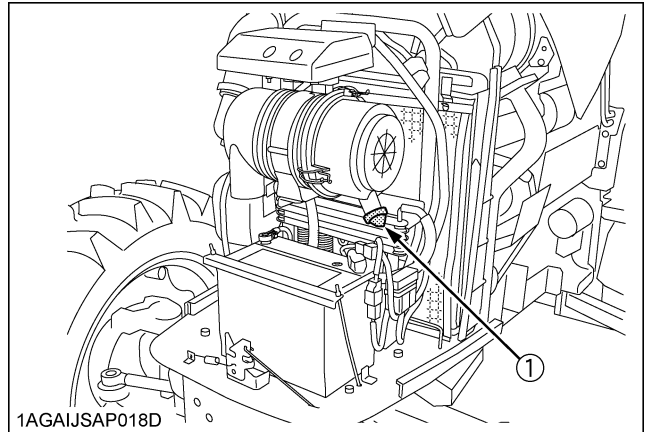
(A) "FULL"
(B) "LOW"

IMPORTANT :

- If the radiator cap has to be removed, follow the caution above and securely retighten the cap.
- Use clean, fresh soft water and anti-freeze to fill the radiator.
- If coolant should leak, consult your local KUBOTA Dealer.

■ Cleaning Evacuator Valve

Open the evacuator valve to get rid of large particles of dust and dirt.



(1) Evacuator valve

■ Cleaning Grill, Radiator Screen, Oil Cooler and Battery Mount

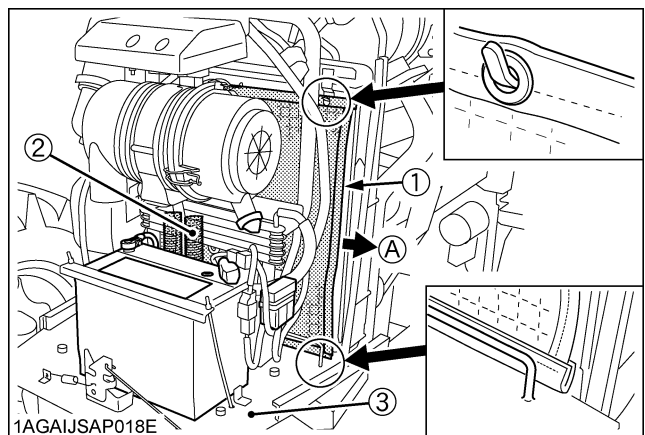
WARNING

To avoid personal injury or death:

- Be sure to stop the engine before removing the screen.
- Before checking or cleaning the radiator screen, stop the engine and wait long enough until it is cooled down.

◆ **Cleaning**

1. Check front grill to be sure it is clean from debris.
2. Detach the radiator screen and remove all foreign materials.
3. Check oil cooler and battery mount to be sure they are clean from debris.



(1) Radiator screen

(2) Oil cooler

(3) Battery mount

IMPORTANT :

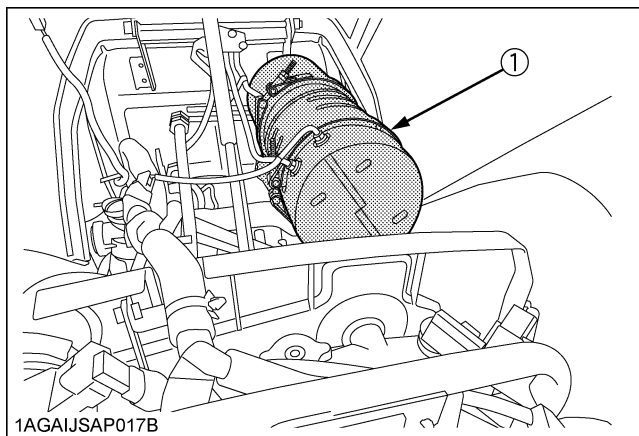
- Grill and screen must be clean from debris to prevent engine from overheating and to allow good air intake for air cleaner.

■Checking DPF Muffler**WARNING**

To avoid personal injury or death:

- Before checking or cleaning the DPF muffler, stop the engine and wait long enough until it is cooled down.

Check the DPF muffler and its surroundings for build-up of anything flammable. Otherwise a fire may result.



(1) DPF muffler

■Checking Brake Pedal**WARNING**

To avoid personal injury or death:

- Be sure brake pedals have equal adjustment when using locked together. Incorrect or unequal brake pedal adjustment can cause the tractor to swerve or roll-over.

1. Inspect the brake pedals for free travel, and smooth operation.
2. Adjust if incorrect measurement is found: (See "Adjusting Brake Pedal" in "EVERY 100 HOURS" in "PERIODIC SERVICE" section.)

■Checking Gauges, Meter and Easy Checker(TM)

1. Inspect the instrument panel for broken gauge(s), meter(s) and Easy Checker(TM) lamps.
2. Replace if broken.

■Checking Head Light, Turn Signal / Hazard Light etc.

1. Inspect the lights for broken bulbs and lenses.
2. Replace if broken.

■Checking Seat Belt and ROPS

1. Always check condition of seat belt and ROPS attaching hardware before operating tractor.
2. Replace if damaged.

■Checking Movable Parts

If any of the movable parts, such as levers and pedals, is not smoothly moved because of rust or sticky material, do not attempt to force it into motion.

In the above case, remove the rust or the sticky material, and apply oil or grease on the relevant spot. Otherwise, the machine may get damaged.

EVERY 50 HOURS**■Checking Engine Start System****WARNING**

To avoid personal injury or death:

- Do not allow anyone near the tractor while testing.
- If the tractor does not pass the test, do not operate the tractor.

◆ Preparation before testing.

1. Place all control levers in the "NEUTRAL" position.
2. Set the parking brake and stop the engine.

◆ Test: Switch for the shuttle shift lever.

1. Follow the instruction of "PARKING THE TRACTOR". (See "PARKING THE TRACTOR" in "SAFE OPERATION" section.)
2. Sit on the operator's seat.
3. Shift the shuttle shift lever to the forward or reverse position.
4. Depress the clutch pedal fully.
5. Disengage the PTO clutch control switch or lever.
6. Turn the key to "START" position.
7. The engine must not crank.
8. If it cranks, consult your local KUBOTA Dealer for this service.

◆ **Test: Switch for the PTO clutch control switch or lever.**

1. Follow the instruction of "PARKING THE TRACTOR". (See "PARKING THE TRACTOR" in "SAFE OPERATION" section.)
2. Sit on the operator's seat.
3. Engage the PTO clutch control switch or lever.
4. Depress the clutch pedal fully.
5. Shift the shuttle shift lever to the neutral position.
6. Turn the key to "START" position.
7. The engine must not crank.
8. If it cranks, consult your local KUBOTA Dealer for this service.

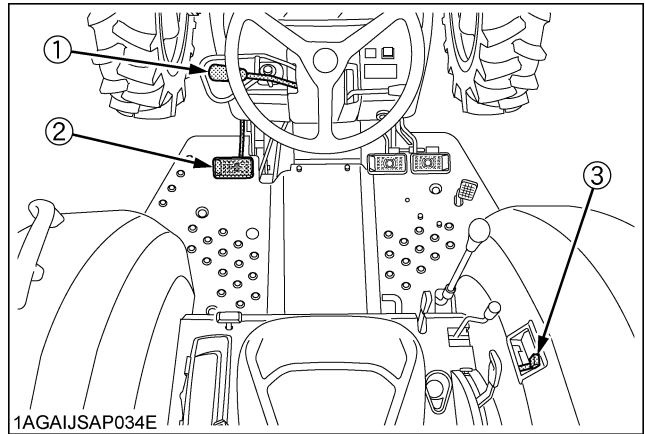
◆ **Test: Checking Operator Presence Control (O.P.C.) System.**

1. Follow the instruction of "PARKING THE TRACTOR". (See "PARKING THE TRACTOR" in "SAFE OPERATION" section.)
2. Make sure the PTO drive shaft is disconnected from the tractor.
3. Sit on the operator's seat.
4. Start the engine.
5. Engage the PTO clutch control switch or lever. The PTO should begin to rotate. Disengage the PTO clutch control switch or lever.
6. While lifting yourself from the seat, engage the PTO clutch control switch or lever.
 - (1) The PTO should begin to rotate and a buzzer should sound.
 - (2) Disengage the PTO clutch control switch or lever.
 - (3) If the buzzer does not sound, shut off the engine and consult your local KUBOTA Dealer for immediate servicing of the PTO OPC.
7. If the PTO OPC is operating properly, shut off the engine, and reconnect the implement drive shaft to the PTO. Restart the engine per the available instructions.

 **WARNING**

To avoid personal injury or death:

- Before checking the PTO OPC, make sure that the PTO drive shaft should be disconnected from the tractor.
- If the buzzer does not sound during the PTO OPC check procedure, shut off engine and consult your local KUBOTA Dealer for immediate servicing of the PTO OPC.
- The unit should not be operated until servicing is completed.



- (1) Shuttle shift lever
- (2) Clutch pedal
- (3) PTO clutch control lever

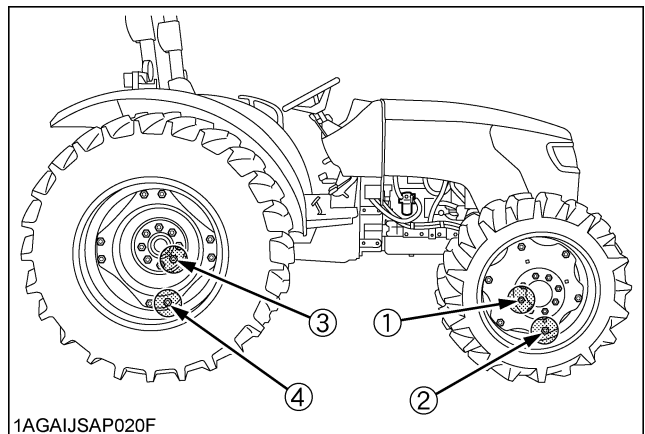
■ **Checking Wheel Bolt Torque**

 **WARNING**

To avoid personal injury or death:

- Never operate tractor with a loose rim, wheel, or axle.
- Any time bolts and nuts are loosened, retighten to specified torque.
- Check all bolts and nuts frequently and keep them tight.

Check wheel bolts and nuts regularly especially when new. If they are loose, tighten them as follows.

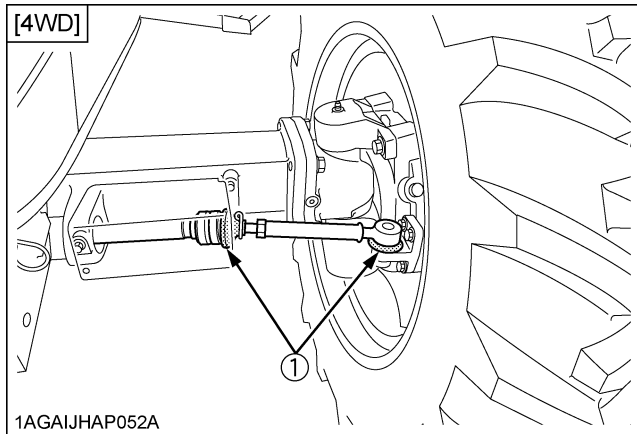


N-m (kgf-m) [ft-lbs.]

	(1)	(2)	(3)	(4)
2WD	168 to 196 (17.1 to 20.0) [124 to 145]	---	260 to 304 (26.5 to 31.0) [192 to 224]	244 (24.9) [180]
4WD	260 to 304 (26.5 to 31.0) [192 to 224]	244 (24.9) [180]		

■Checking Tie-rod Dust Cover

1. Check to see that dust covers are not damaged.
2. If dust covers are damaged, consult local KUBOTA Dealer for this service.



(1) Dust cover

IMPORTANT :

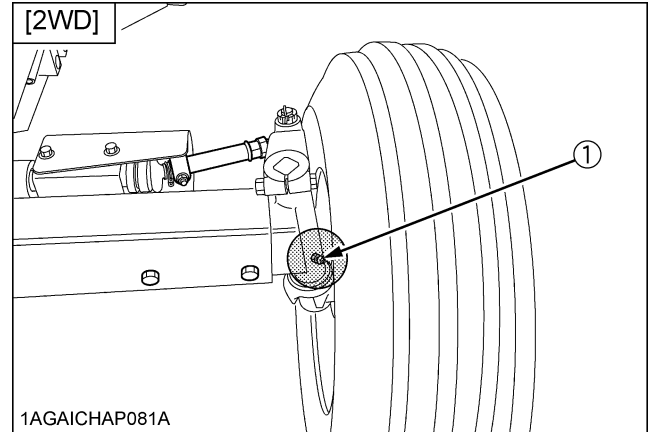
- If dust covers are cracked, water and dust invade into tie-rod and it will be early wear.

EVERY 100 HOURS

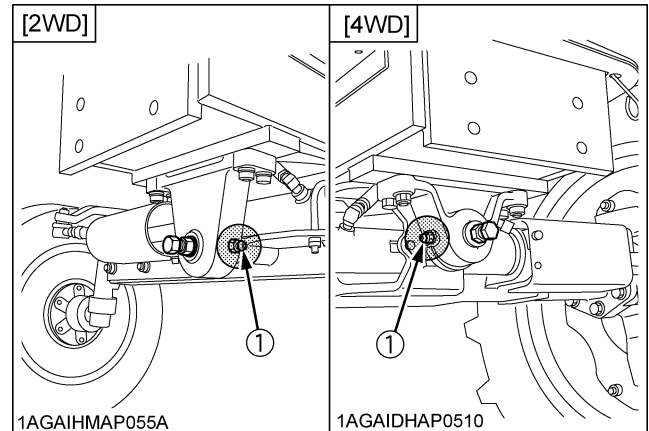
■Lubricating Grease Fittings

Apply a small amount of multipurpose grease to the following points every 100 hours:

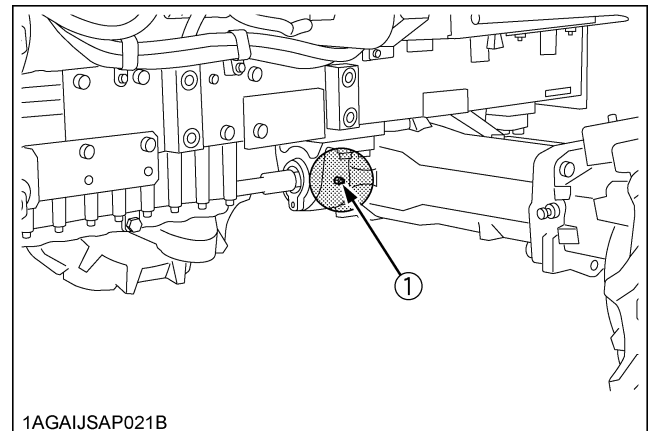
If you operated the machine in extremely wet and muddy conditions, lubricate grease fittings more often.



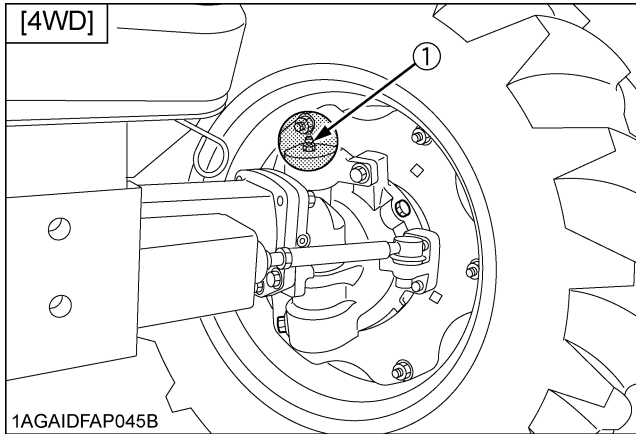
(1) Grease fitting (Knuckle shaft) [RH, LH]



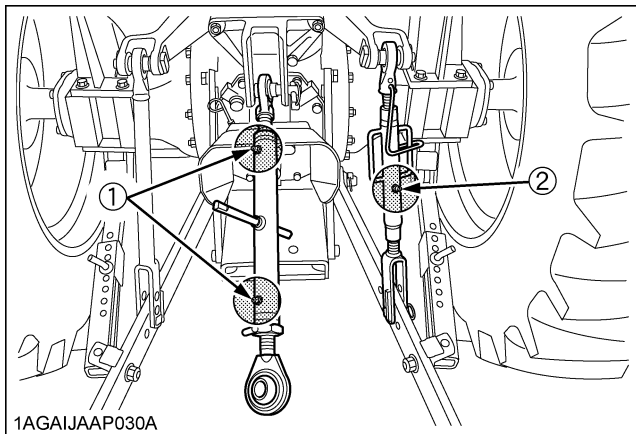
(1) Grease fitting (Front axle support)



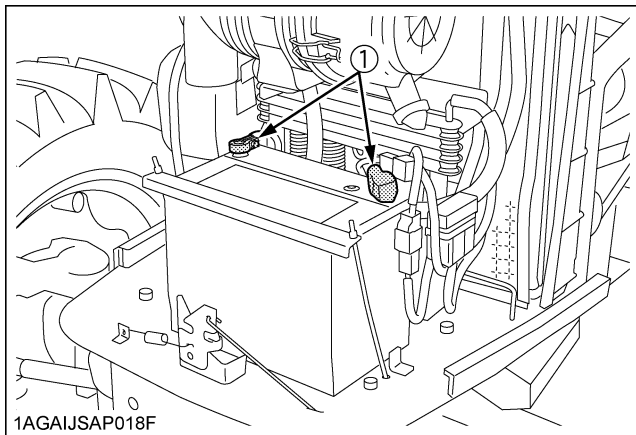
(1) Grease fitting (Front axle support)



(1) Grease fitting (Front axle gear case support) [RH, LH]



(1) Grease fitting (Top link)
(2) Grease fitting (Lifting rod)



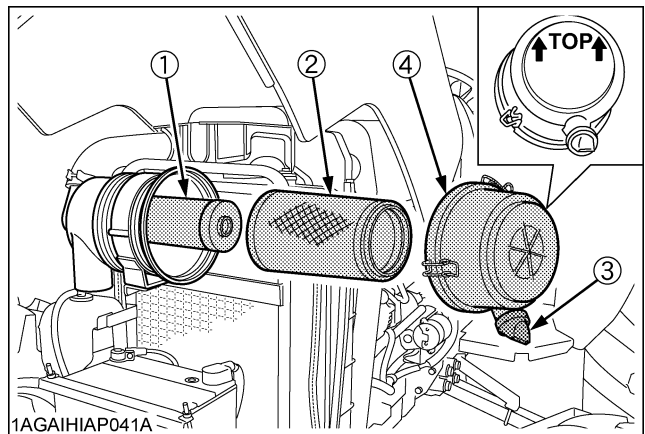
(1) Battery terminals

■ Cleaning Air Cleaner Primary Element

1. Remove the air cleaner cover and primary element.
2. Clean the primary element:
 - (1) When dry dust adheres to the element, blow compressed air from the inside, turning the element. Pressure of compressed air must be under 205 kPa (2.1 kgf/cm², 30 psi).
 - (2) When carbon or oil adheres to the element, soak the element in detergent for 15 minutes then wash it several times in water, rinse with clean water and dry it naturally. After element is fully dried, inspect inside of the element with a light and check if it is damaged or not.
3. Replace air cleaner primary element:
Once yearly or after every sixth cleaning, whichever comes first.

NOTE :

- Check to see if the evacuator valve is blocked with dust.



- (1) Secondary (safety) element
- (2) Primary element
- (3) Evacuator valve
- (4) Cover

IMPORTANT :

- The air cleaner uses a dry element, never apply oil.
- Do not run the engine with filter element removed.
- Be sure to refit the cover with the arrow ↑ (on the rear of cover) upright. If the cover is improperly fitted, evacuator valve will not function and dust will adhere to the element.
- Do not touch the secondary element except in cases where replacing is required.
(See "Replacing Air Cleaner Secondary Element" in "EVERY 1 YEAR" in "PERIODIC SERVICE" section.)

◆ Evacuator Valve

Open the evacuator valve once a week under ordinary conditions - or daily when used in a dusty place - to get rid of large particles of dust and dirt.

■ Adjusting Fan Belt Tension



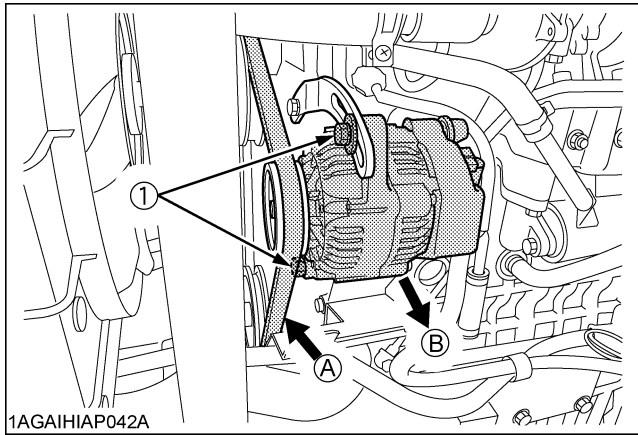
WARNING

To avoid personal injury or death:

- Be sure to stop the engine before checking belt tension.

Proper fan belt tension	A deflection is 7 to 9 mm (0.28 to 0.35 in.) when the belt is pressed (98 N [10 kgf, 22 lbs.]) in the middle of the span.
-------------------------	---

1. Stop the engine and remove the key.
2. Apply moderate thumb pressure to belt between pulleys.
3. If tension is incorrect, loosen the alternator mounting bolts and, using a lever placed between the alternator and the engine block, pull the alternator out until the deflection of the belt falls within acceptable limits.
4. Replace fan belt if it is damaged.



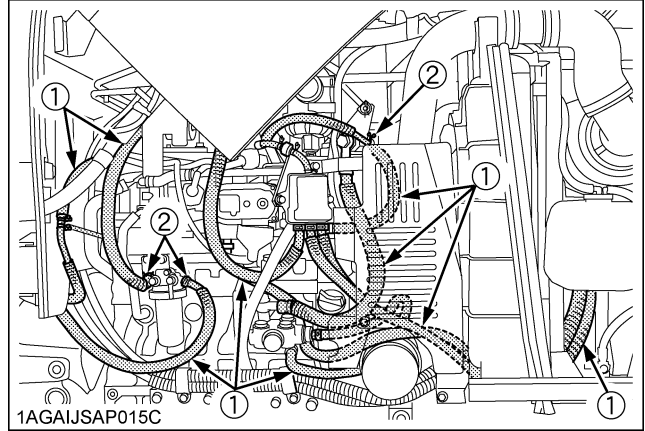
1AGAIHIAP042A

(1) Bolt

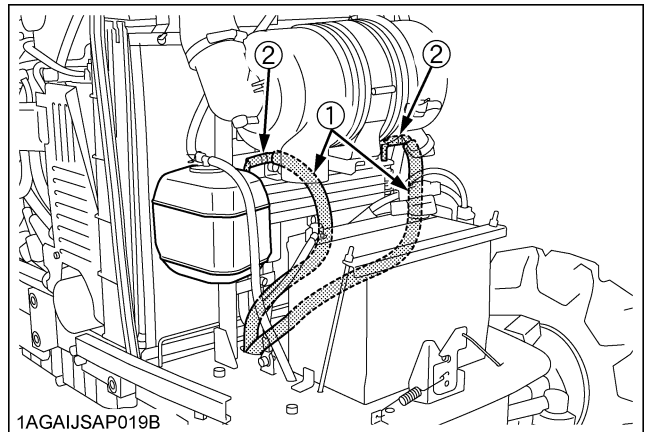
(A) Check the belt tension
(B) To tighten

■ Checking Fuel Line

1. Check to see that all lines and hose clamps are tight and not damaged.
2. If hoses and clamps are found worn or damaged, replace or repair them at once.



1AGAIJSAP015C



1AGAIJSAP019B

- (1) Fuel lines
(2) Clamp bands

NOTE :

- If the fuel line is removed, be sure to properly bleed the fuel system.
(See "Bleeding Fuel System" in "SERVICE AS REQUIRED" in "PERIODIC SERVICE" section.)

■ Adjusting Brake Pedal

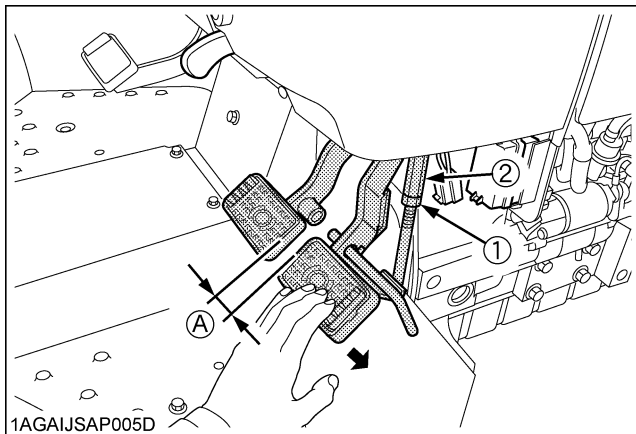
WARNING

To avoid personal injury or death:

- Stop the engine and chock the wheels before checking brake pedal.

Proper brake pedal free travel	40 to 45 mm (1.6 to 1.8 in.) on the pedal
	Keep the free travel in the right and left brake pedals equal.

1. Release the parking brake.
2. Slightly depress the brake pedals and measure free travel at the top of pedal stroke.
3. If adjustment is needed, loosen the lock nut and turn the turnbuckle to adjust the rod length within acceptable limits.
4. Retighten the lock nut.



(1) Lock nut
(2) Turnbuckle

(A) "FREE TRAVEL"

■ Checking Battery Condition

DANGER

To avoid the possibility of battery explosion:

For the refillable type battery, follow the instructions below.

- Do not use or charge the refillable type battery if the fluid level is below the LOWER (lower limit level) mark. Otherwise, the battery component parts may prematurely deteriorate, which may shorten the battery's service life or cause an explosion. Check the fluid level regularly and add distilled water as required so that the fluid level is between the UPPER and LOWER levels.

WARNING

To avoid personal injury or death:

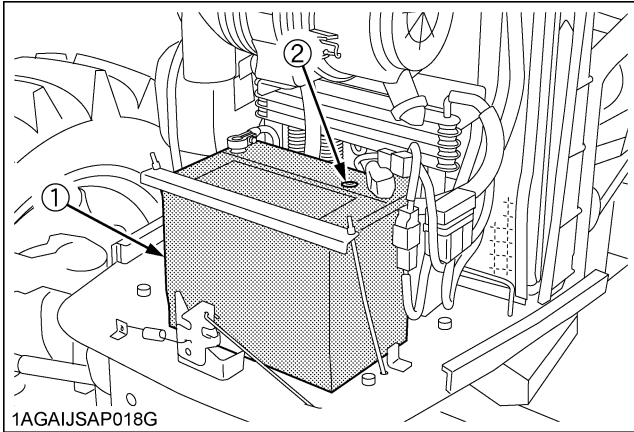
- Never remove the battery cap while the engine is running.
- Keep electrolyte away from eyes, hands and clothes. If you are splattered with it, wash it away completely with water immediately and get medical attention.
- Keep open sparks and flames away from the battery at all times. Hydrogen gas mixed with oxygen becomes very explosive.
- Wear eye protection and rubber gloves when working around battery.

The factory-installed battery is of non-refillable type. If the indicator turns white, do not charge the battery but replace it with new one.

Mishandling the battery shortens the service life and adds to maintenance costs.

The original battery is maintenance free, but needs some servicing.

If the battery is weak, the engine will be difficult to start and the lights will be dim. It is important to check the battery periodically.



(1) Battery
(2) Indicator

◆ **How to read the indicator**

Check the battery condition by reading the indicator.

State of indicator display	
Green	Specific gravity of electrolyte and quality of electrolyte are both in good condition.
Black	Needs charging battery.
White	Needs replacing battery.

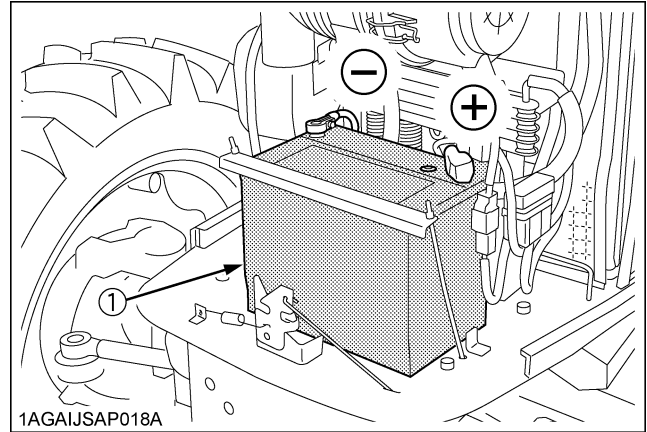
◆ **Battery Charging**



WARNING

To avoid personal injury or death:

- When the battery is being activated, hydrogen and oxygen gases in the battery are extremely explosive. Keep open sparks and flames away from the battery at all times, especially when charging the battery.
- When charging the battery, ensure the vent caps are securely in place. (if equipped)
- When disconnecting the cable from the battery, start with the negative terminal first. When connecting the cable to the battery, start with the positive terminal first.
- Never check battery charge by placing a metal object across the posts. Use a voltmeter or hydrometer.



(1) Battery

1. To slow charge the battery, connect the battery positive terminal to the charger positive terminal and the negative to the negative, then recharge in the standard fashion.
2. A boost charge is only for emergencies. It will partially charge the battery at a high rate and in a short time. When using a boost-charged battery, it is necessary to recharge the battery as early as possible. Failure to do this will shorten the battery's service life.
3. The battery is charged if the indicator display turns green from black.
4. When exchanging an old battery for a new one, use battery of equal specification shown in **table 1**.

Table 1

Battery TYPE	volts (V)	Reserve capacity (min)	CCA (SAE) (A)	Normal Charging Rate (A)
80D26R	12	133	582	6.5

CCA : Cold Cranking Ampere

◆ **Direction for Storage**

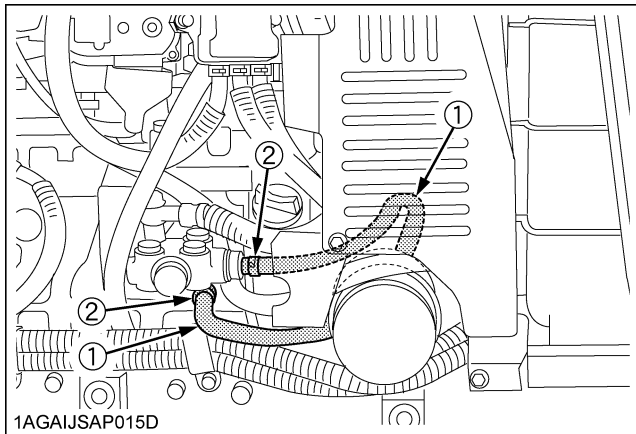
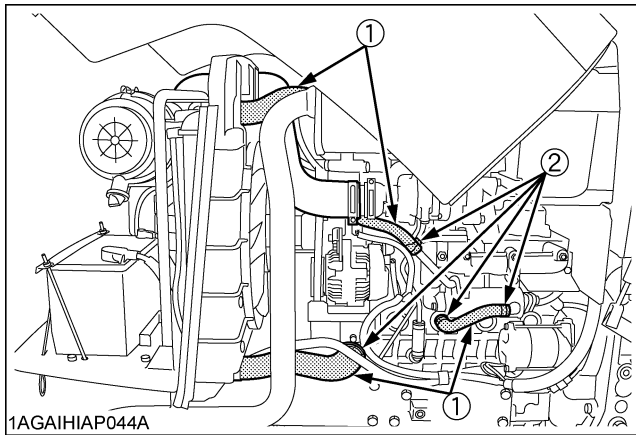
1. When storing the tractor for long periods of time, remove the battery from tractor, adjust the electrolyte to the proper level and store in a dry place out of direct sunlight.
2. The battery self-discharges while it is stored. Recharge it once every 3 months in hot seasons and once every 6 months in cold seasons.

EVERY 200 HOURS

■ Checking Radiator Hose and Clamp

Check to see if radiator hoses are properly fixed every 200 hours of operation or 6 months, whichever comes first.

1. If hose clamps are loose or water leaks, tighten bands securely.
 2. Replace hoses and tighten hose clamps securely, if radiator hoses are swollen, hardened or cracked.
- Replace hoses and hose clamps every 2 years or earlier if checked and found that hoses are swollen, hardened or cracked.



- (1) Radiator hoses
(2) Hose clamps

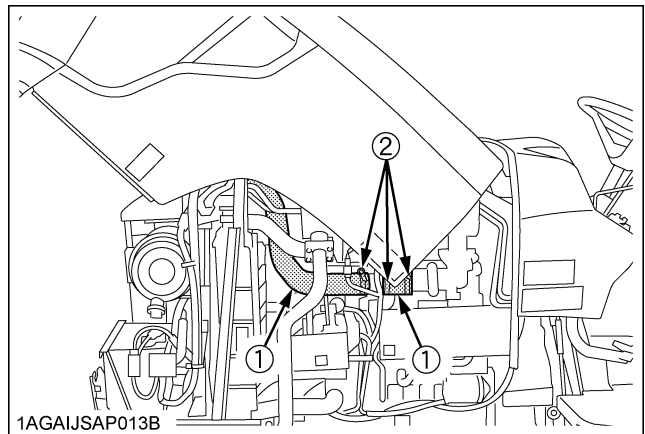
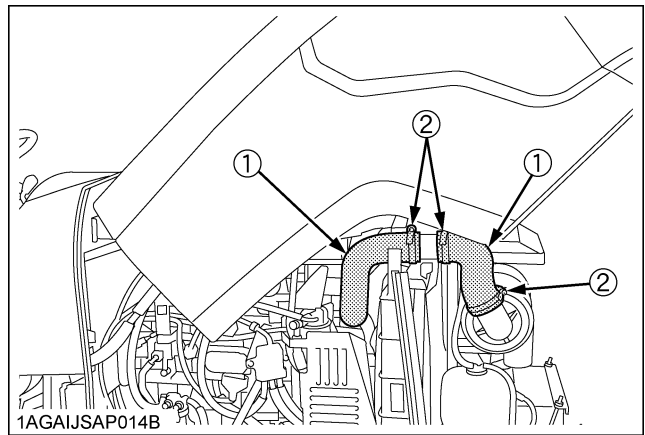
◆ Precaution at Overheating

Take the following actions in the event the coolant temperature is nearly or more than the boiling point, what is called "Overheating"

1. Park the tractor in a safe place and keep the engine unloaded idling.
2. Don't stop the engine suddenly, but stop it after about 5 minutes of unloaded idling.
3. Keep yourself well away from the machine for further 10 minutes or while the steam blows out.
4. Check that there are no dangers such as burns. Get rid of the causes of overheating according to the manual, see "TROUBLESHOOTING" section, and then, start again the engine.

■ Checking Intake Air Line

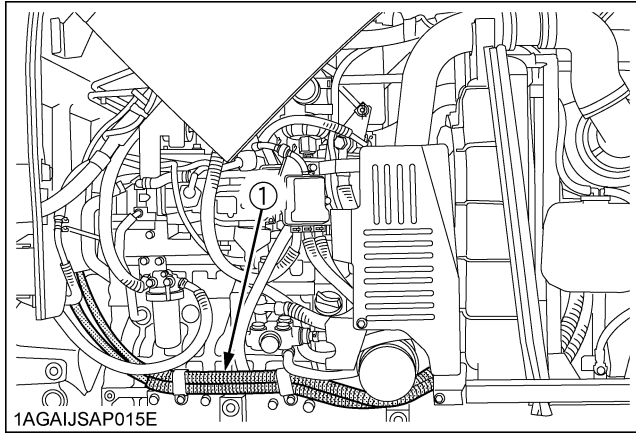
1. Check to see that hoses and hose clamps are tight and not damaged.
2. If hoses and clamps are found worn or damaged, replace or repair them at once.



- (1) Hose
(2) Hose clamps

■Checking Power Steering Line

1. Check to see that all lines and hose clamps are tight and not damaged.
2. If hoses and clamps are found worn or damaged, replace or repair them at once.

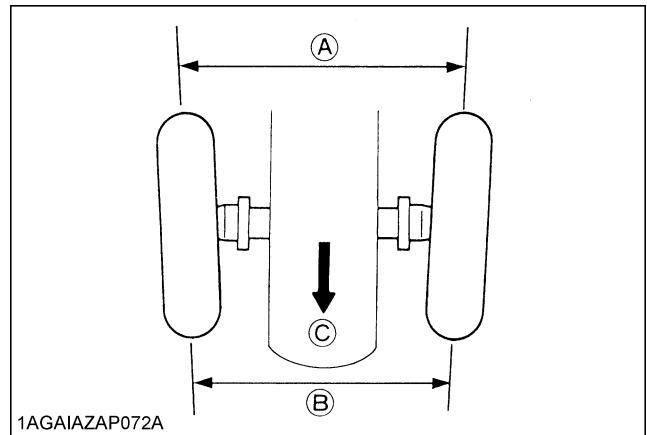


(1) Power steering pressure hoses

■Adjusting Toe-in

	Proper toe-in
4WD	2 to 8 mm (0.08 to 0.31 in.)
2WD	1 to 5 mm (0.04 to 0.2 in.)

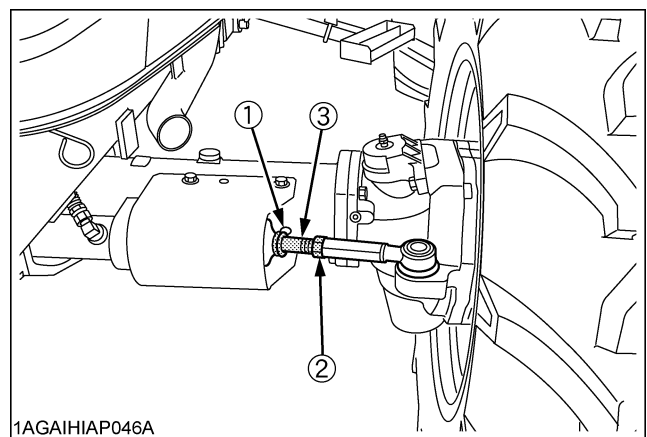
1. Park tractor on a flat place.
2. Turn steering wheel so front wheels are in the straight ahead position.
3. Lower the implement, lock the park brake and stop the engine.
4. Measure distance between tire beads at front of tire, at hub height.
5. Measure distance between tire beads at rear of tire, at hub height.
6. Front distance should be shorter than rear distance. If not, adjust tie rod length.



(A) Wheel - to - wheel distance at rear
 (B) Wheel - to - wheel distance at front
 (C) "FRONT"

◆ Adjusting procedure [4WD]

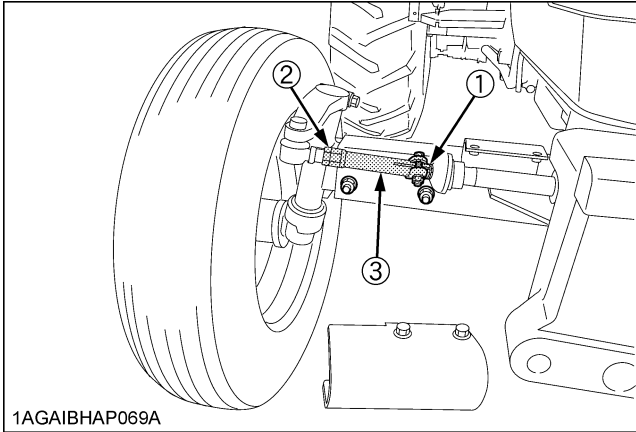
1. Detach the snap ring.
2. Loosen the tie-rod nut.
3. Turn the tie-rod joint to adjust the rod length until the proper toe-in measurement is obtained.
4. Retighten the tie-rod nut.
5. Attach the snap ring of the tie-rod joint.



(1) Snap ring
 (2) Tie-rod nut
 (167 to 196 N-m, 17 to 20 kgf-m, 123.2 to 144.6 ft-lbs)
 (3) Tie-rod joint

◆ **Adjusting procedure [2WD]**

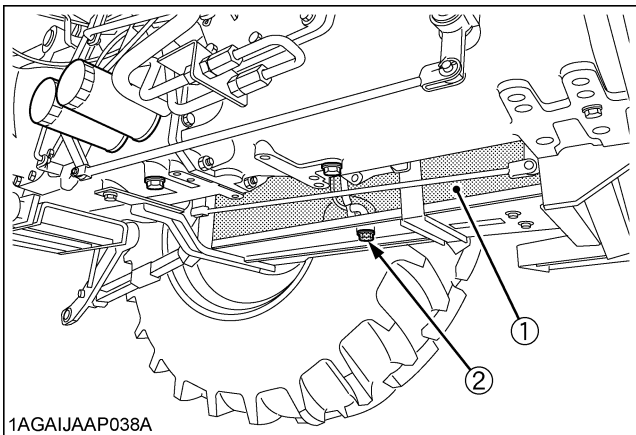
1. Detach the snap ring.
2. Loosen the tie-rod nut.
3. Turn the tie-rod joint to adjust the rod length until the proper toe-in measurement is obtained.
4. Retighten the tie-rod nut.
5. Attach the snap ring of the tie-rod joint.



- (1) Snap ring
- (2) Tie-rod nut
(167 to 196 N-m, 17 to 20 kgf-m, 123.2 to 144.6 ft-lbs)
- (3) Tie-rod joint

■ **Draining Fuel Tank Water**

Loosen the drain plug at the bottom of the fuel tank to let sediments, impurities and water out of the tank. Finally tighten up the plug.



- (1) Fuel Tank (Left)
- (2) Drain plug

IMPORTANT :

- If the fuel contains impurities, such as water, drain the fuel tank at shorter intervals.
- Drain the fuel tank before operating the tractor after a long period of storage.

EVERY 300 HOURS

■ **Replacing Hydraulic Oil Filter**

◆ **Cleaning Magnetic Filter**

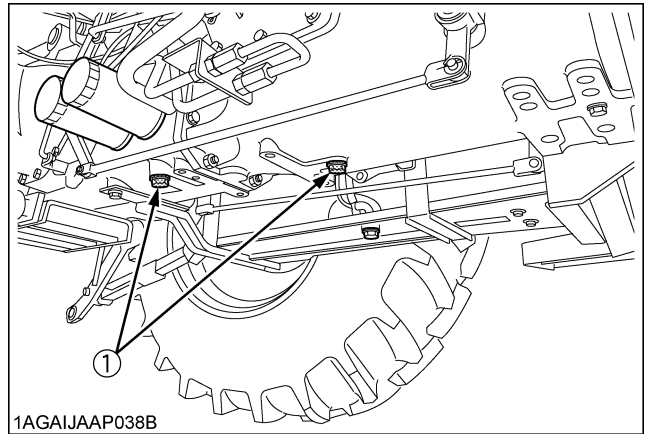


WARNING

To avoid personal injury or death:

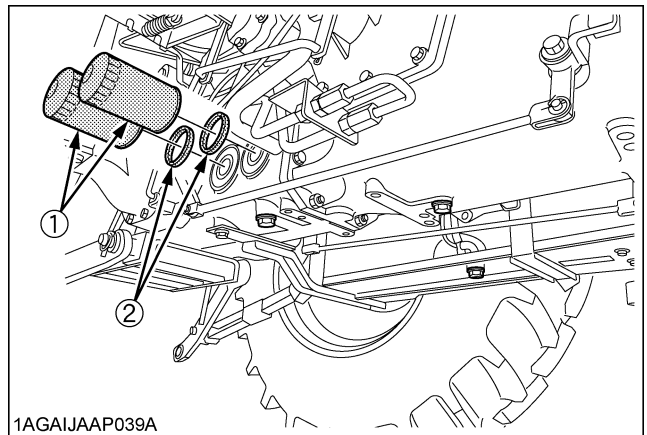
- Be sure to stop the engine before changing the oil filter cartridge.
- Allow engine to cool down sufficiently, oil can be hot and can burn.

1. Remove the drain plug at the bottom of the transmission case and drain the oil completely into an oil pan.
2. After draining reinstall the drain plug.



- (1) Drain plug

3. Remove the 2 oil filters.
4. Wipe off metal filings from the magnetic filter with a clean rag.



- (1) Hydraulic oil filter
- (2) Magnetic filter (Wipe off metal filings)

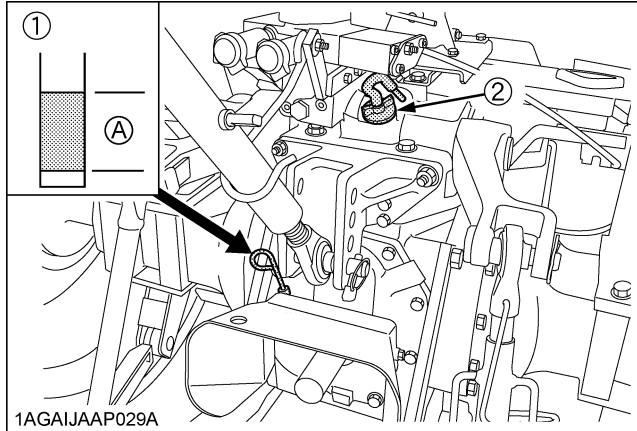
5. Put a film of clean transmission oil on the rubber seal of the new filters.

6. Tighten the filter quickly until it contacts the mounting surface.
Tighten filter by hand an additional 1/2 turn only.
7. After the new filters have been replaced, fill the transmission oil up to the upper notch on the dipstick.

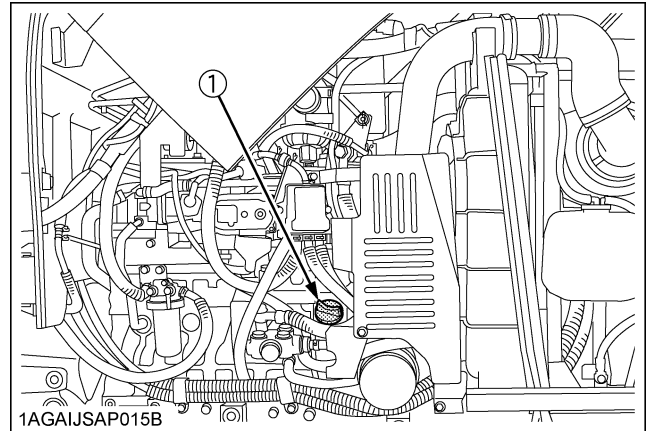
Oil capacity with filter	7.2 L (7.6 U.S.qts.)
--------------------------	----------------------

IMPORTANT :

- Use DPF-compatible oil (CJ-4) for the engine.



(1) Dipstick (A) Oil level is acceptable within this range
(2) Oil inlet



8. After running the engine for a few minutes, stop the engine and check the oil level again, add oil to the prescribed level.
9. Make sure that the transmission fluid doesn't leak pass the seal on the filters.

IMPORTANT :

- To prevent serious damage to the hydraulic system, use only a KUBOTA genuine filter.
- Do not operate the tractor immediately after changing the transmission fluid.
Run the engine at medium speed for a few minutes to prevent damage to the transmission.

EVERY 400 HOURS

Changing Engine Oil

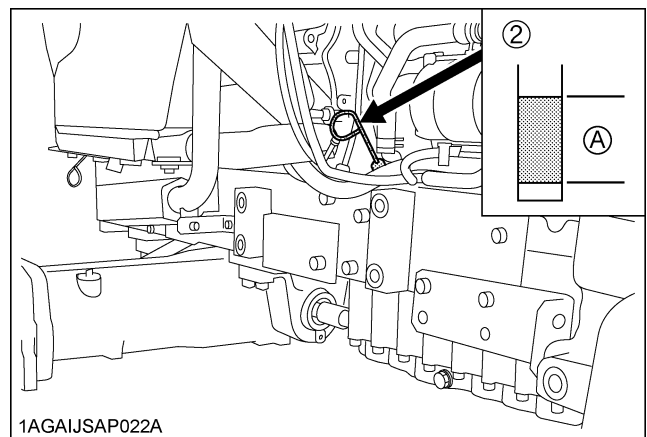


WARNING

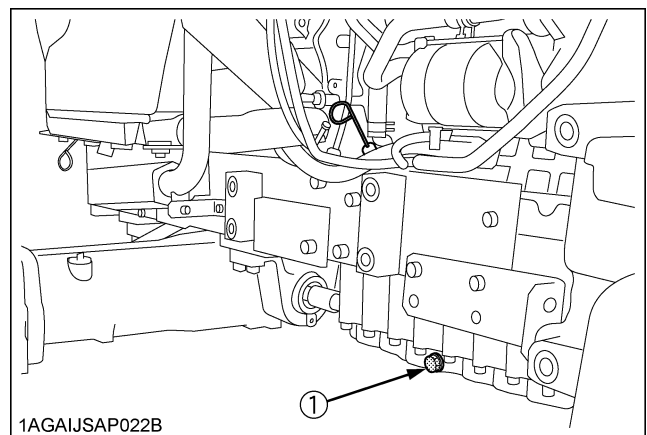
To avoid personal injury or death:

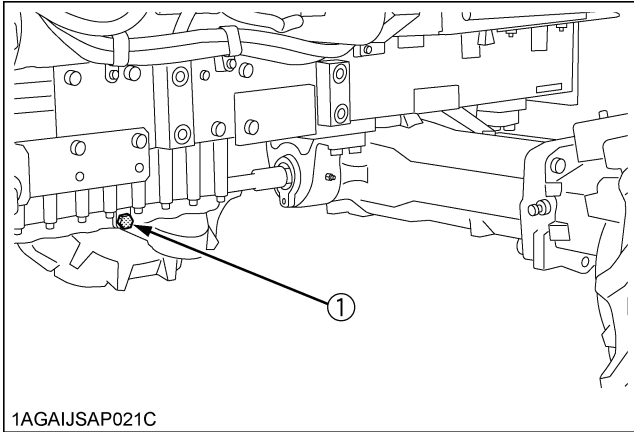
- Be sure to stop the engine before changing the oil.
- Allow engine to cool down sufficiently, oil can be hot and can burn.

1. To drain the used oil, remove the drain plug at the bottom of the engine and drain the oil completely into the oil pan.
All the used oil can be drained out easily when the engine is still warm.
2. After draining reinstall the drain plug.
3. Fill with the new oil up to the upper notch on the dipstick.
(See "LUBRICANTS" in "MAINTENANCE" section.)



(1) Oil inlet (A) Oil level is acceptable within this range
(2) Dipstick





1AGAIJSAP021C

(1) Drain plug

■ Replacing Engine Oil Filter

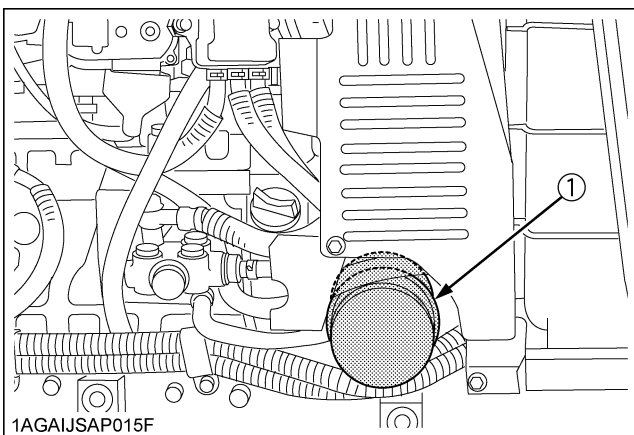


WARNING

To avoid personal injury or death:

- Be sure to stop the engine before replacing the oil filter cartridge.
- Allow engine to cool down sufficiently, oil can be hot and can burn.

1. Remove the oil filter.
2. Put a film of clean engine oil on the rubber seal of the new filter.
3. Tighten the filter quickly until it contacts the mounting surface.
Tighten filter by hand an additional 1/2 turn only.
4. After the new filter has been replaced, the engine oil normally decreases a little. Make sure that the engine oil does not leak through the seal and be sure to check the oil level on the dipstick. Then, replenish the engine oil up to the prescribed level.



1AGAIJSAP015F

(1) Engine oil filter

IMPORTANT :

- To prevent serious damage to the engine, use only a KUBOTA genuine filter.

■ Replacing Fuel Filter

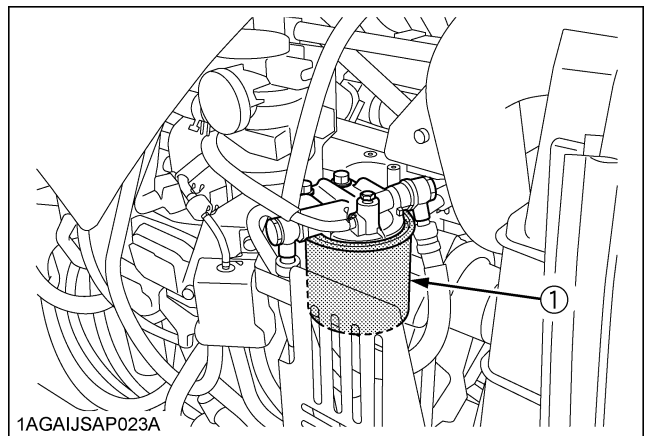


WARNING

To avoid personal injury or death:

- Be sure to stop the engine before replacing the fuel filter.

1. Remove the fuel filter.
2. Put a film of clean fuel on rubber seal of new filter.
3. Tighten the filter quickly until it contacts the mounting surface.
Tighten filter by hand an additional 1/2 turn only.
4. Bleed the fuel system.
(See "Bleeding Fuel System" in "SERVICE AS REQUIRED" in "PERIODIC SERVICE" section.)



1AGAIJSAP023A

(1) Fuel filter

■ Cleaning Water Separator



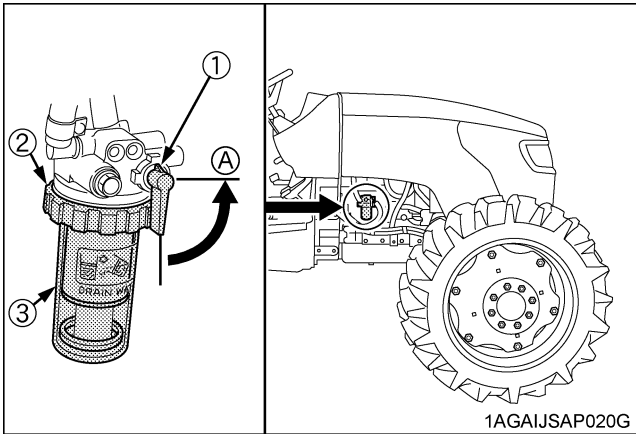
WARNING

To avoid personal injury or death:

- Be sure to stop the engine before cleaning the water separator.

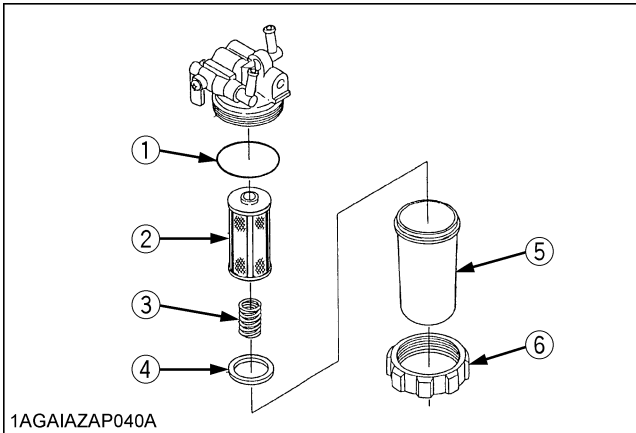
This job should not be done in the field, but in a clean place.

1. Close the fuel cock.
2. Unscrew the retainer ring and remove the cup, and rinse the inside with kerosene.
3. Take out the element and dip it in the kerosene to rinse.
4. After cleaning, reassemble the water separator, keeping out dust and dirt.
5. Bleed the fuel system.
(See "Bleeding Fuel System" in "SERVICE AS REQUIRED" in "PERIODIC SERVICE" section.)



- (1) Fuel cock
- (2) Retainer ring
- (3) Cup

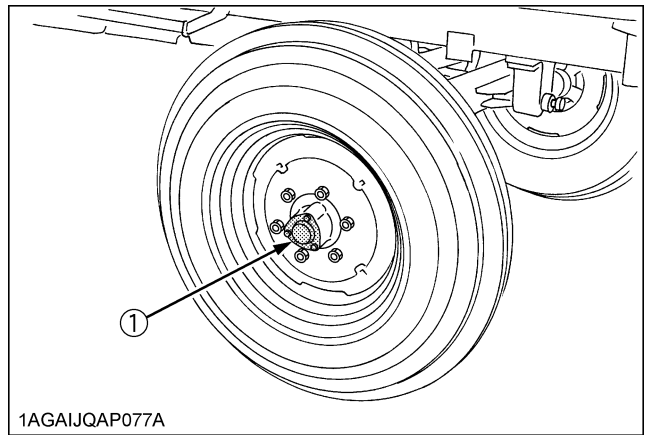
(A) "CLOSE"



- (1) O ring
- (2) Element
- (3) Spring
- (4) Red float
- (5) Cup
- (6) Retainer ring

■ Lubricating Grease Fitting [2WD Model]

Detach the cover, and apply bearing grease.



(1) Front wheel hub cover

EVERY 600 HOURS

■ Changing Transmission Fluid



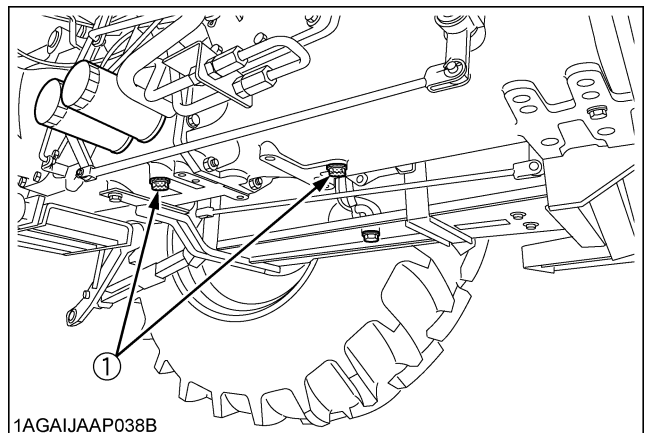
WARNING

To avoid personal injury or death:

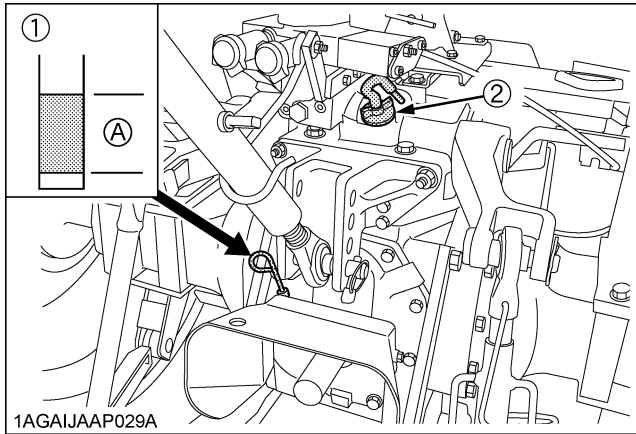
- Allow engine to cool down sufficiently, oil can be hot and can burn.

1. To drain the used oil, remove the drain plug at the bottom of the transmission case and drain the oil completely into the oil pan.
2. After draining reinstall the drain plug.
3. Fill with the new KUBOTA SUPER UDT fluid up to the upper notch on the dipstick.
(See "LUBRICANTS" in "MAINTENANCE" section.)
4. After running the engine for a few minutes, stop it and check the oil level again; add oil to prescribed level.

Oil capacity	48 L (50.7 U.S.qts)
--------------	---------------------



(1) Drain plug



(1) Dipstick
 (2) Oil inlet
 (A) Oil level is acceptable within this range.

IMPORTANT :

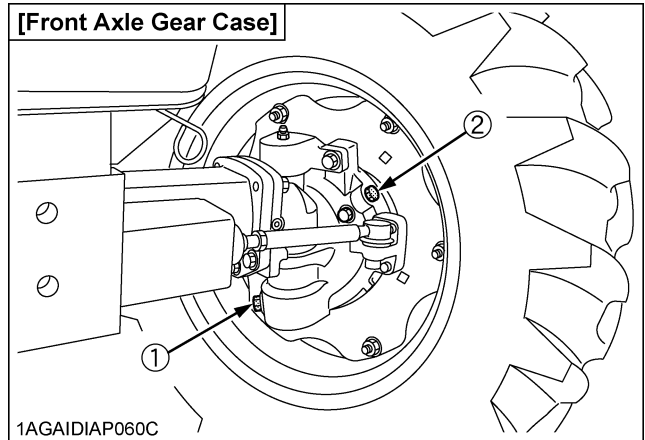
- Do not operate the tractor immediately after changing the transmission fluid.
 Run the engine at medium speed for a few minutes to prevent damage to the transmission.

■ Changing Front Axle Gear Case Oil & Front Differential Case Oil

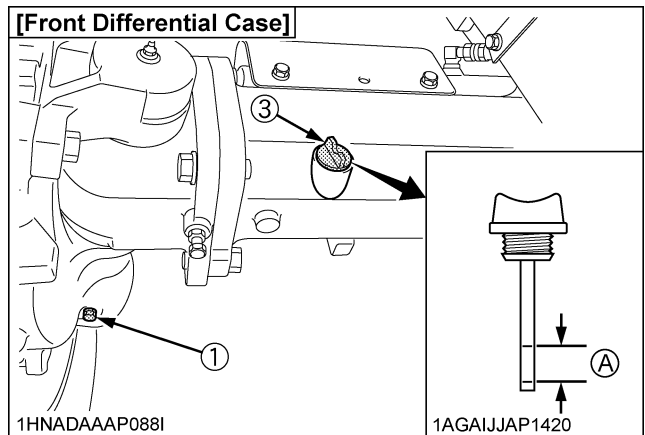
[4WD]

1. To drain the used oil, remove the drain plugs at the both front axle gear cases and filling plugs, and drain the oil completely into the oil pan.
2. After draining reinstall the drain plugs.
3. Remove the oil level check plug at the front differential case.
4. Fill with the new oil of the specified amount from both filling ports on the front axle gear case.
5. Finally fill with the new oil up to the lower rim of check plug port on the front differential case.
 (See "LUBRICANTS" in "MAINTENANCE" section.)
6. After checking oil is visible through the opening of check plug, reinstall filling plugs and check plug.

	Oil capacity
Front Axle Gear Case	3.0 L (3.2 U.S.qts.) for each side
Front Differential Case	6.5 L (6.9 U.S.qts.)



1AGAIIDAP060C



1HNADAAAP088I

1AGAIJJAP1420

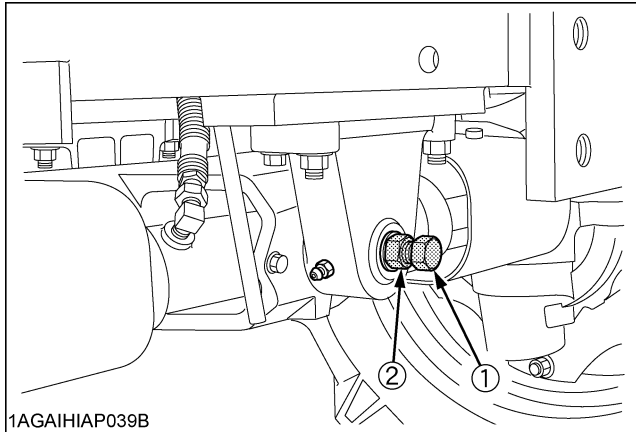
(1) Drain plug
 (2) Filling plug
 (3) Filling plug with dipstick
 (A) Oil level is acceptable within this range.

■ Adjusting Front Axle Pivot

If the front axle pivot pin adjustment is not correct, front wheel vibration can occur causing vibration in the steering wheel.

◆ Adjusting procedure

Loosen the lock nut, screw-in the adjusting screw until seated, then tighten the screw with an additional 1/6 turn. Re-tighten the lock nut.



(1) Adjusting screw
(2) Lock nut

EVERY 800 HOURS

■ Adjusting Engine Valve Clearance

Consult your local KUBOTA Dealer for this service.

EVERY 1500 HOURS

■ Cleaning Fuel Injector Nozzle Tip

Consult your local KUBOTA Dealer for this service.

■ Replacing Oil Separator Element

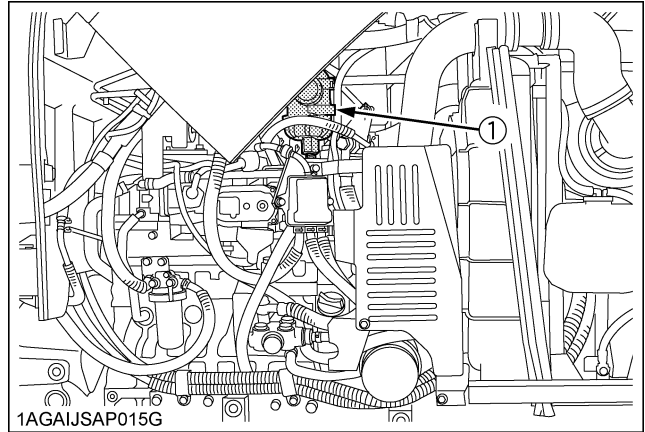


WARNING

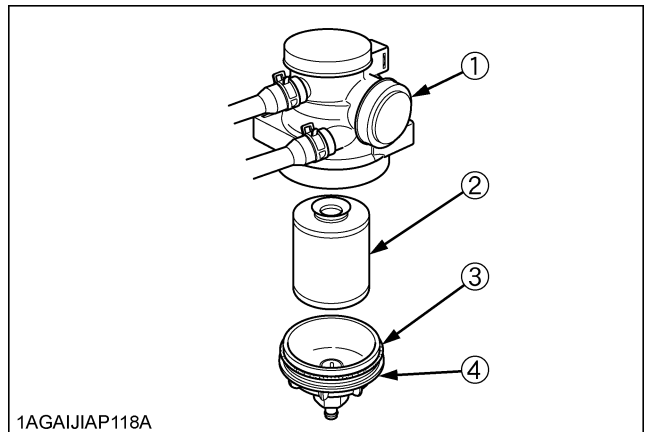
To avoid personal injury or death:

- Be sure to stop the engine before replacing the oil separator element.

1. Remove the cover and take out the element. Wipe off oil and the carbon in the case with a clean rag.
2. Fit a new oil separator element.
3. Tighten the cover.



(1) Oil separator



(1) Body
(2) Oil separator element
(3) Gasket
(4) Cover

■ Checking and Cleaning EGR Cooler

Consult your local KUBOTA Dealer for this service.

EVERY 3000 HOURS

■ Checking Turbocharger

Consult your local KUBOTA Dealer for this service.

■ Checking Supply Pump

Consult your local KUBOTA Dealer for this service.

■ Checking and Cleaning EGR System

Consult your local KUBOTA Dealer for this service.

■Cleaning DPF Muffler

◆ Removal of ash

The longer the DPF operates, the more ash (burnt residue) is collected in the filter. Too much ash build-up adversely affects the DPF performance. Consult your local KUBOTA Dealer to clean the filter.

IMPORTANT :

- The DPF needs cleaning with a specific cleaning device. Do not clean the DPF by disassembling, and attempt by yourself, consult your local KUBOTA Dealer.

EVERY 1 YEAR

■Replacing Air Cleaner Primary Element and Secondary Element

(See "Cleaning Air Cleaner Primary Element" in "EVERY 100 HOURS" in "PERIODIC SERVICE" section.)

■Checking Exhaust Manifold

Consult your local KUBOTA Dealer for this service.

■Checking DPF Related Pipe

Consult your local KUBOTA Dealer for this service.

■Checking EGR Pipe

Consult your local KUBOTA Dealer for this service.

EVERY 2 YEARS

■Flushing Cooling System and Changing Coolant



WARNING

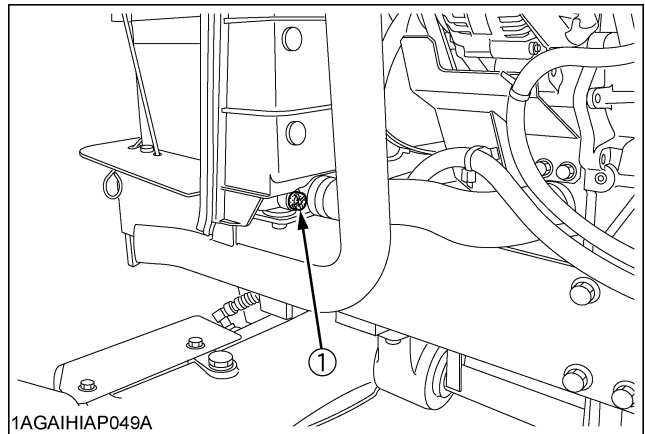
To avoid personal injury or death:

- Do not remove radiator cap while coolant is hot. When cool, slowly rotate cap to the first stop and allow sufficient time for excess pressure to escape before removing the cap completely.

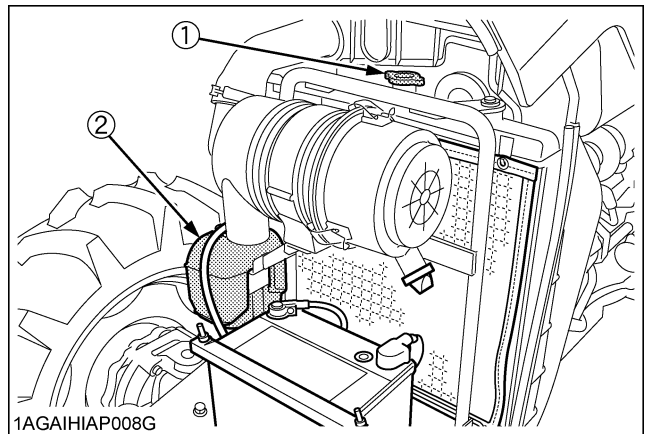
1. Stop the engine, remove the key and let it cool down.
2. To drain the coolant, open the radiator drain plug, remove the drain plug and remove radiator cap. The radiator cap must be removed to completely drain the coolant.
3. After all coolant is drained, reinstall the drain plug.
4. Fill with clean soft water and cooling system cleaner.
5. Follow directions of the cleaner instruction.
6. After flushing, fill with clean soft water and anti-freeze until the coolant level is just below the radiator cap. Install the radiator cap securely.

7. Fill with coolant up to the "FULL" mark of recovery tank.
8. Start and operate the engine for few minutes.
9. Stop the engine, remove the key and let cool.
10. Check coolant level of recovery tank and add coolant if necessary.
11. Properly dispose of used coolant.

Coolant capacity	8 L (8.5 U.S.qts.)
------------------	--------------------



(1) Drain plug ((+) Plus screwdriver)



(1) Radiator cap
(2) Recovery tank

IMPORTANT :

- Do not start engine without coolant.
- Use clean, fresh soft water and anti-freeze to fill the radiator and recovery tank.
- When mixing the anti-freeze with water, the anti-freeze mixing ratio is 50 %.
- Securely tighten radiator cap. If the cap is loose or improperly fitted, water may leak out and the engine could overheat.

■ Anti-Freeze



WARNING

To avoid personal injury or death:

- When using antifreeze, put on some protection such as rubber gloves (Antifreeze contains poison.).
- If it is swallowed, seek immediate medical help. Do NOT make a person throw up unless told to do so by poison control or a health care professional. Use standard first aid and CPR for signs of shock or cardiac arrest. Call your local Poison Control Center or your local emergency number for further assistance.
- When antifreeze comes in contact with the skin or clothing, wash it off immediately.
- Do not mix different types of Antifreeze. The mixture can produce chemical reaction causing harmful substances.
- Antifreeze is extremely flammable and explosive under certain conditions. Keep fire and children away from antifreeze.
- When draining fluids from the engine, place some container underneath the engine body.
- Do not pour waste onto the grounds, down a drain, or into any water source.
- Also, observe the relevant environmental protection regulations when disposing of antifreeze.

Always use a 50/50 mix of long-life coolant and clean soft water in KUBOTA engines.

Consult your local KUBOTA Dealer concerning coolant for extreme conditions.

1. Long-life coolant (hereafter LLC) comes in several types. Use ethylene glycol (EG) type for this engine.
2. Before employing LLC-mixed cooling water, fill the radiator with fresh water and empty it again. Repeat this procedure 2 or 3 times to clean up the inside.
3. Mixing the LLC
Premix 50% LLC with 50% clean soft water. When mixing, stir it up well, and then fill into the radiator.
4. The procedure for the mixing of water and antifreeze differs according to the make of the antifreeze and the ambient temperature. Refer to SAE J1034 standard, more specifically also to SAE J814c.

Vol % Anti-freeze	Freezing Point		Boiling Point*	
	°C	°F	°C	°F
50	-37	-34	108	226

* At 1.013×10^5 Pa (760mmHg) pressure (atmospheric). A higher boiling point is obtained by using a radiator pressure cap which permits the development of pressure within the cooling system.

5. Adding the LLC
 - (1) Add only water if the mixture reduces in amount by evaporation.
 - (2) If there is a mixture leak, add the LLC of the same manufacturer and type in the same mixture percentage.
 - * Never add any long-life coolant of different manufacturer. (Different brands may have different additive components, and the engine may fail to perform as specified.)
6. When the LLC is mixed, do not employ any radiator cleaning agent. The LLC contains anticorrosive agent. If mixed with the cleaning agent, sludge may build up, adversely affecting the engine parts.
7. Kubota's genuine long-life coolant has a service life of 2 years. Be sure to change the coolant every 2 years.

NOTE :

- The above data represent industry standards that necessitate a minimum glycol content in the concentrated antifreeze.

■ Replacing Radiator Hose (Water pipes)

Replace the hoses and clamps.

(See "Checking Radiator Hose and Clamp" in "EVERY 200 HOURS" in "PERIODIC SERVICE" section.)

■ Replacing Power Steering Hose

Consult your local KUBOTA Dealer for this service.

■ Replacing Fuel Hose

Consult your local KUBOTA Dealer for this service.

■ Replacing Intake Air Line

Consult your local KUBOTA Dealer for this service.

■ Replacing Oil Separator Related Rubber Pipe

Consult your local KUBOTA Dealer for this service.

■ Replacing PCV (Positive Crankcase Ventilation) Valve Hose

Consult your local KUBOTA Dealer for this service.

■ Replacing DPF Related Rubber Pipe

Consult your local KUBOTA Dealer for this service.

■ Replacing EGR Cooler Rubber Pipe

Consult your local KUBOTA Dealer for this service.

■ Replacing Boost Sensor Hose

Consult your local KUBOTA Dealer for this service.

SERVICE AS REQUIRED

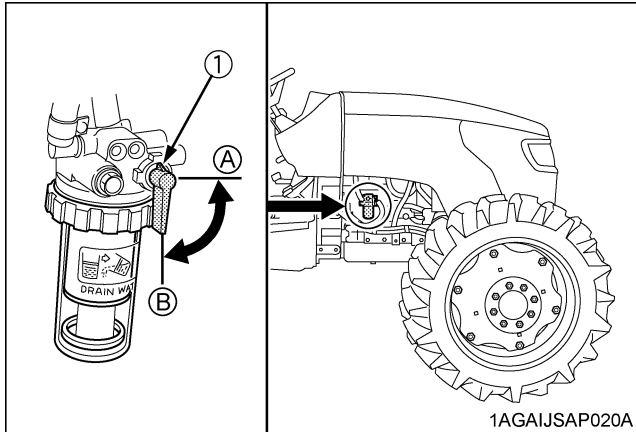
■ Bleeding Fuel System

Air must be removed:

1. When the fuel filter or lines are removed.
2. When water is drained from water separator.
3. When tank is completely empty.
4. After the tractor has not been used for a long period of time.

◆ Bleeding procedure is as follows:

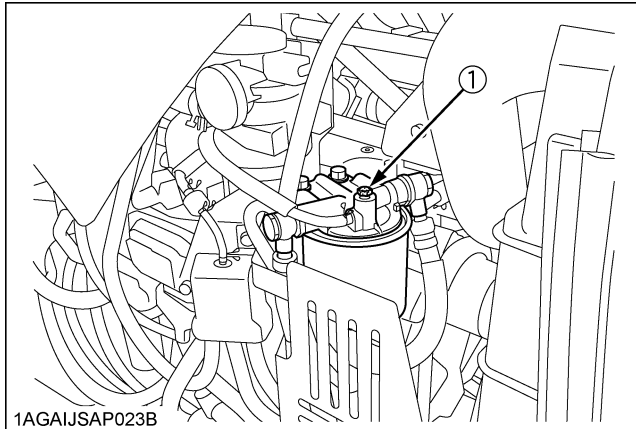
1. Fill the fuel tank with fuel, and open the fuel cock.



(1) Fuel cock

(A) "CLOSE"
(B) "OPEN"

2. Loosen the air vent plug on the fuel filter 2 turns or so.



(1) Air vent plug

3. Turn on the key switch and wait for about 1 minute. Then tighten up the air vent plug.
4. Set the hand throttle lever at the minimum speed position and turn the key to "START" position. If the engine doesn't start, try it several times at 30 second intervals.

IMPORTANT :

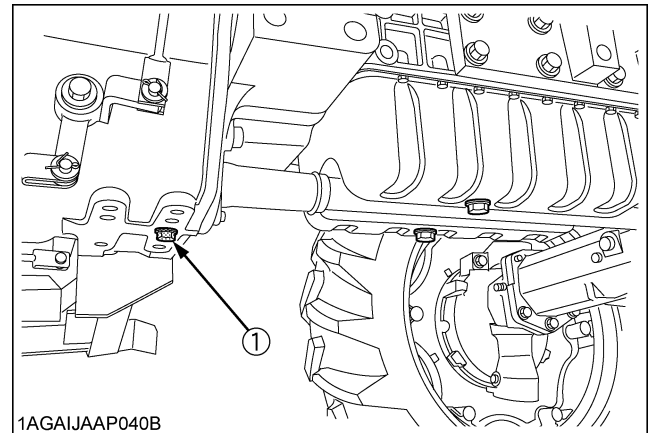
- Do not hold key switch at engine start position for more than 10 seconds continuously. If more engine cranking is needed, try again after 30 seconds.
5. Accelerate the engine to remove the small portion of air left in the fuel system.
 6. If air still remains and the engine stops, repeat the above steps.

■ Draining Clutch Housing Water

The tractor is equipped with a drain plug under the clutch housing.

After operating in rain, snow or if the tractor has been washed, water may get into the clutch housing.

Remove the drain plug and drain the water, then install the plug again.



(1) Water drain plug

■ Replacing Fuse

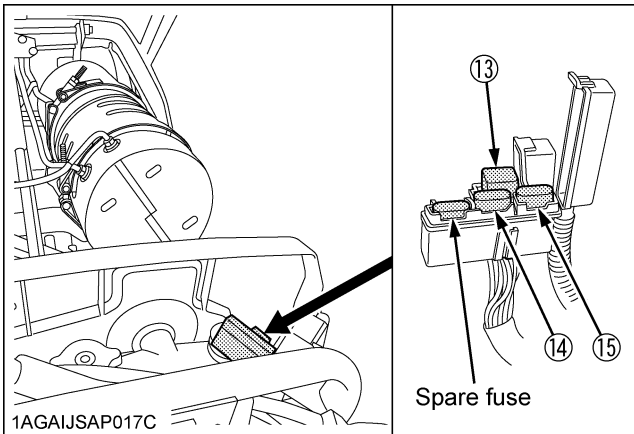
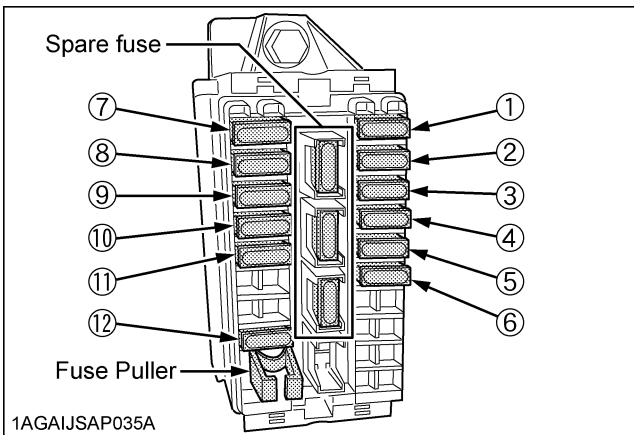
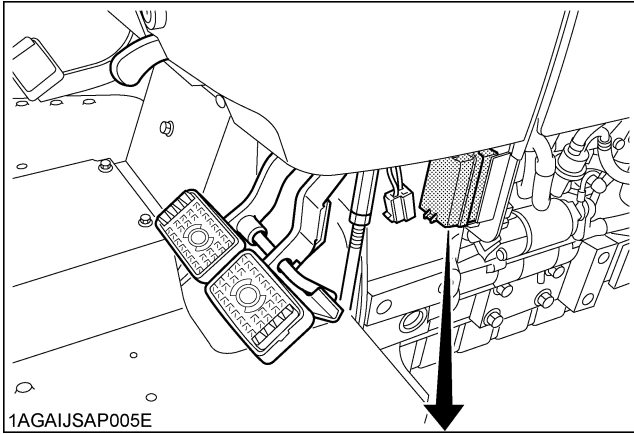
The tractor electrical system is protected from potential damage by fuses.

A blown fuse indicates that there is an overload or short somewhere in the electrical system.

If any of the fuses should blow, replace with a new one of the same capacity.

IMPORTANT :

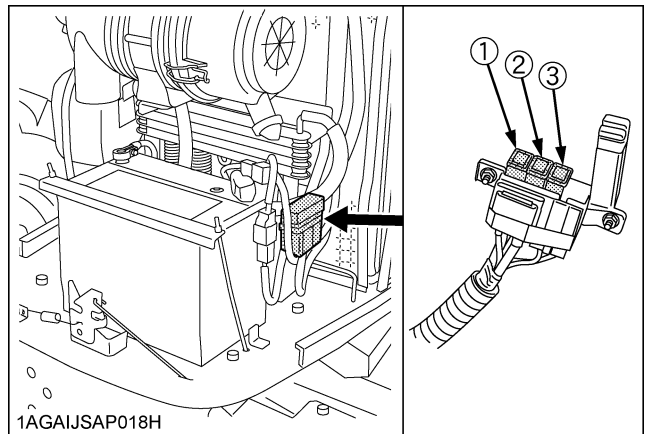
- Before replacing a blown fuse, determine why the fuse blew and make any necessary repairs. Failure to follow this procedure may result in serious damage to the tractor electrical system. Refer to the "TROUBLESHOOTING" section of this manual or your local KUBOTA Dealer for specific information dealing with electrical problems.



Fuse No.	Capacity (A)	Protected circuit
(1)	15	ECU
(2)	5	Operation
(3)	15	Loader Plug
(4)	5	Meter Panel
(5)	5	PTO
(6)	10	Turn Signal
(7)	15	Flasher
(8)	5	ECU (Backup)
(9)	15	Head Light
(10)	5	Meter (Backup)
(11)	15	Work Light
(12)	5	Main Key
(13)	20	CRS Power
(14)	5	Air Flow Sensor, EGR Valve
(15)	5	Feed Pump

■ Replacing Slow-Blow Fuses

The slow-blow fuses are intended to protect the electrical cabling. If any of them has blown out, be sure to pinpoint the cause. Never use any substitute, use only a KUBOTA genuine part.



No.	Capacity	Protected circuit	Type
1	50A	Charge	Bolt fixed
2	50A	Engine preheat Starter	
3	40A	Head lamp Key switch Work light	Non Bolt fixed

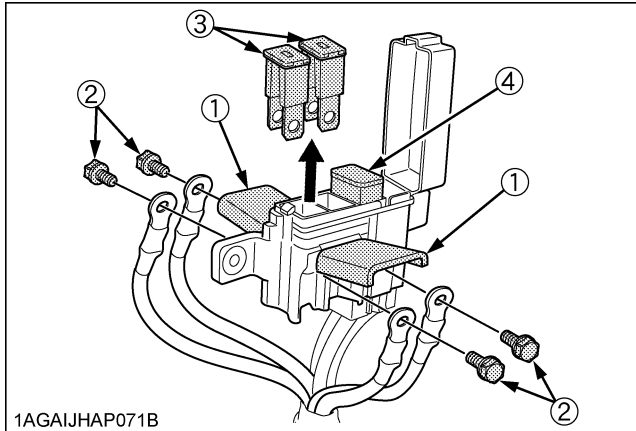
◆ Replacement procedure

[Non bolt fixed slow-blow fuse:]

1. Disconnect the negative cord of the battery.
2. Pull out the fuse from the fuse box.
3. Replace with a new one of the same capacity.

[Bolt fixed slow-blow fuse:]

Consult your local KUBOTA Dealer for this service.



1AGAIJHAP071B

- (1) Fuse box
- (2) Bolt
- (3) Bolt fixed slow-blow fuse
- (4) Non bolt fixed slow-blow fuse

■ Replacing Light Bulb

Light	Capacity
Head light	12 V, 55 / 60 W (H4)
Hazard light	12 V, 23 W
Turn signal	12 V, 21 W
Tail light	12 V, 5 W
Work light (if equipped)	12 V, 35 W

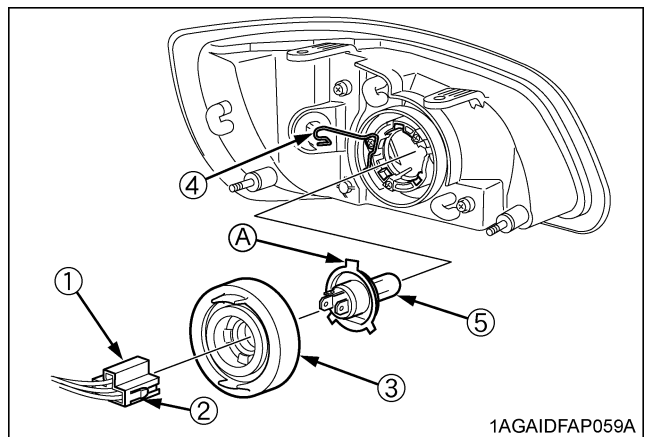
■ Replacing Head Lamp

CAUTION

To avoid personal injury:

- Be careful not to drop the bulb, hit anything against the lamp, apply excess force, and get the lamp scratched. If broken, glass may cause injury. Pay more attention to halogen lamps in particular, which have high pressure inside.
- Before replacing the lamp, be sure to turn off the light and wait until the bulb cools down, otherwise, you may get burned.

1. While pushing the right and left lock buttons, pull and remove the electrical connector.
2. Remove the rubber boot.
3. Remove the clamping fixture and take out the bulb.
4. Replace with a new bulb and reinstall the head lamp assembly in the reverse order.



1AGAIDFAP059A

- (1) Electrical connector
- (2) Lock buttons
- (3) Rubber boot
- (4) Clamping fixture
- (5) Bulb
- (A) "Base's wider projection to face upward"

IMPORTANT :

- Be sure to use a new bulb of the specified wattage.
- Never touch the bulb surface (glass) with bare hands. Fingerprints, for example, may break the bulb.

STORAGE



WARNING

To avoid personal injury or death:

- Do not clean the machine while the engine is running.
- To avoid the danger of exhaust fume poisoning, do not operate the engine in a closed building without proper ventilation.
- When storing, remove the key from the key switch to avoid unauthorized persons from operating the tractor and getting injured.

TRACTOR STORAGE

If you intend to store your tractor for an extended period of time, follow the procedures outlined below.

These procedures will insure that the tractor is ready to operate with minimum preparation when it is removed from storage.

1. Check the bolts and nuts for looseness, and tighten if necessary.
2. Apply grease to tractor areas where bare metal will rust also to pivot areas.
3. Detach the weights from the tractor body.
4. Inflate the tires to a pressure a little higher than usual.
5. Change the engine oil and run the engine to circulate oil throughout the engine block and internal moving parts for about 5 minutes.
6. Keep the PTO clutch control switch or lever at "DISENGAGE" position while tractor is stored for a long period of time.
7. With all implements lowered to the ground, coat any exposed hydraulic cylinder piston rods with grease.
8. Remove the battery from the tractor. Store the battery following the battery storage procedures.
(See "Checking Battery Condition" in "EVERY 100 HOURS" in "PERIODIC SERVICE" section.)
9. Keep the tractor in a dry place where the tractor is sheltered from the elements. Cover the tractor.
10. Store the tractor indoors in a dry area that is protected from sunlight and excessive heat. If the tractor must be stored outdoors, cover it with a waterproof tarpaulin.
Jack the tractor up and place blocks under the front and rear axles so that all 4 tires are off the ground. Keep the tires out of direct sunlight and extreme heat.

IMPORTANT :

- When washing the tractor, be sure to stop the engine. Allow sufficient time for the engine to cool before washing.
- Cover the tractor after the muffler and the engine have cooled down.

REMOVING THE TRACTOR FROM STORAGE

1. Check the tire air pressure and inflate the tires if they are low.
2. Jack the tractor up and remove the support blocks from under the front and rear axles.
3. Install the battery. Before installing the battery, be sure it is fully charged.
4. Check the fan belt tension.
5. Check all fluid levels (engine oil, transmission/hydraulic oil, engine coolant and any attached implements).
6. Start the engine. Observe all gauges. If all gauges are functioning properly and reading normal, move the tractor outside. Once outside, park the tractor and let the engine idle for at least 5 minutes. Shut the engine off and walk around tractor and make a visual inspection looking for evidence of oil or water leaks.
7. With the engine fully warmed up, release the parking brake and test the brakes for proper adjustment as you move forward. Adjust the brakes as necessary.

TROUBLESHOOTING

ENGINE TROUBLESHOOTING

If something is wrong with the engine, refer to the table below for the cause and its corrective measure.

Trouble		Cause	Countermeasure
Engine is difficult to start or won't start.		<ul style="list-style-type: none"> No fuel flow. 	<ul style="list-style-type: none"> Check the fuel tank and the fuel filter. Replace filter if necessary.
		<ul style="list-style-type: none"> Air or water is in the fuel system. 	<ul style="list-style-type: none"> Check to see if the fuel line coupler bolt and nut are tight. Bleed the fuel system (See "Bleeding Fuel System" in "SERVICE AS REQUIRED" in "PERIODIC SERVICE" section.)
		<ul style="list-style-type: none"> In winter, oil viscosity increases, and engine revolution is slow. 	<ul style="list-style-type: none"> Use oils of different viscosities, depending on ambient temperatures. Use engine block heater (Optional)
		<ul style="list-style-type: none"> Battery becomes weak and the engine does not turn over quick enough. 	<ul style="list-style-type: none"> Clean battery cables & terminals. Charge the battery. In cold weather, always remove the battery from the engine, charge and store it indoors. Install it on the tractor only when the tractor is going to be used.
		<ul style="list-style-type: none"> Intake air heater system trouble. 	<ul style="list-style-type: none"> Check to see if the slow blow fuse of the intake air heater blows. Check to see if the intake air heater functions in cold weather.
Insufficient engine power.		<ul style="list-style-type: none"> Insufficient or dirty fuel. The air cleaner is clogged. 	<ul style="list-style-type: none"> Check the fuel system. Clean or replace the element.
Engine stops suddenly.		<ul style="list-style-type: none"> Insufficient fuel. 	<ul style="list-style-type: none"> Refuel. Bleed the fuel system if necessary.
Exhaust fumes are colored.	Black	<ul style="list-style-type: none"> Fuel quality is poor. Too much oil. The air cleaner is clogged. 	<ul style="list-style-type: none"> Change the fuel and fuel filter. Check the proper amount of oil. Clean or replace the element.
	Blue white	<ul style="list-style-type: none"> The inside of exhaust muffler is dumped with fuel. Injection nozzle trouble. Fuel quality is poor. 	<ul style="list-style-type: none"> Check to see if the intake air heater functions in cold weather. Heat the muffler by applying load to the engine. Check the injection nozzle. Change the fuel and fuel filter.
Engine overheats		<ul style="list-style-type: none"> Engine overloaded 	<ul style="list-style-type: none"> Shift to lower gear or reduce load.
		<ul style="list-style-type: none"> Low coolant level 	<ul style="list-style-type: none"> Fill cooling system to the correct level; check radiator and hoses for loose connections or leaks.
		<ul style="list-style-type: none"> Loose or defective fan belt 	<ul style="list-style-type: none"> Adjust or replace fan belt.
		<ul style="list-style-type: none"> Dirty radiator core or grille screens 	<ul style="list-style-type: none"> Remove all trash.
		<ul style="list-style-type: none"> Coolant flow route corroded 	<ul style="list-style-type: none"> Flush cooling system.

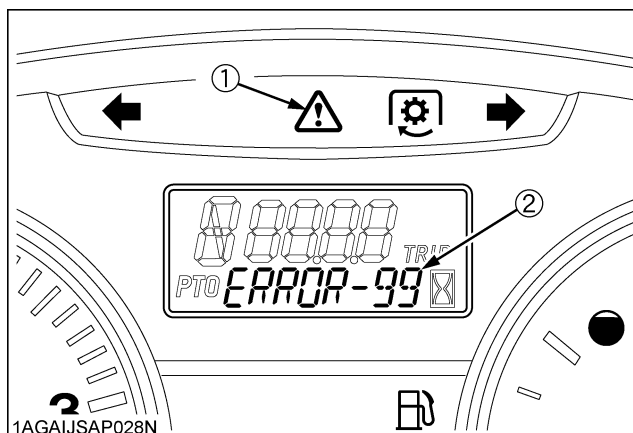
If you have any questions, contact your local KUBOTA Dealer.

Trouble	Operator's action
Engine not overheated, but engine warning indicator on.	Stop the engine and get it restarted. If the engine fails to restart or the indicator stays on, immediately contact your local KUBOTA dealer. If the warning indicator lights up, the following phenomena may appear depending on the engine's trouble spot. <ul style="list-style-type: none"> ● The engine stops unexpectedly. ● The engine fails to start or gets interrupted just after start. ● The engine output is not enough. ● The engine output is enough, but the warning indicator stays on.

If you have any questions, contact your local KUBOTA Dealer.

POWER TRAIN TROUBLE SHOOTING

If something is wrong with the power train, the master system warning indicator starts blinking and the error code shown below is displayed on the liquid crystal display, indicating the location of the trouble. If an error code appears, immediately contact your local KUBOTA Dealer for repairs.



(1) Master system warning indicator
(2) Error code

Displayed error code	Trouble	Remarks	Operator's action
ERROR-1	Acceleration sensor (main) trouble		Contact your local KUBOTA Dealer.
ERROR-2	Acceleration sensor (sub) trouble		
ERROR-3	Acceleration sensor main/sub phase shifting trouble		
ERROR-11	PTO relay trouble		
ERROR-12	4-wheel-drive solenoid trouble		
ERROR-21	Range gear shift (Hi) switch trouble		
ERROR-22	Range gear shift (6th) switch trouble		
ERROR-23	Shuttle rotating sensor or switch(*1) trouble	*1: Range gear shift (Hi) switch and Range gear shift (6th) switch	
ERROR-24	Machine speed sensor or switch(*1) trouble		
ERROR-25	DPF regeneration malfunction trouble		
ERROR-60	Analog reference supply voltage +5V trouble		
ERROR-63	Acceleration & engine adjustment trouble		
ERROR-99	Communication trouble		
Eng NG	Engine communication trouble	Engine trouble, etc.	
ECU NG	ECU communication trouble	ECU trouble, etc.	

OPTIONS

Consult your local KUBOTA Dealer for further details.

- Engine Block Heater
For extremely cold weather starting
 - Front end weights
For front ballast
 - Rear Wheel Weights
For rear ballast
 - Canopy
 - Double Acting Remote Hydraulic Control Valve with
Detents and Self-Cancelling
 - Double Acting Remote Hydraulic Control Valve with
Float Position
 - Clevis for Drawbar
 - 540 / 540E rpm PTO Speed Kit
 - Front Work Light
High visibility for night work
 - Rear Work Light.
High visibility for night work.
-

APPENDICES

INDEX

3-point Hitch Lowering Speed	48	Foot Throttle	32
Adjustment of Foldable ROPS	26	Front Axle Gear Case Oil &	
Air Cleaner Primary Element.....	71	Front Differential Case Oil	81
Air Cleaner Primary Element and		Front Axle Pivot	82
Secondary Element	83	Front Ballast	57
Anti-Freeze	84	Front Wheel Drive Lever.....	31
Battery Condition.....	73	Front Wheels (with 2-wheel drive)	53
Block Heater (if equipped).....	22	Front Wheels (with 4-wheel drive)	54
Boost Sensor Hose	85	Fuel Filter.....	79
Brake Pedal.....	68	Fuel Gauge.....	33
Brake Pedal.....	73	Fuel Hose	84
Brake Pedals (Right and Left)	28	Fuel Injector Nozzle Tip.....	82
Category 1 & 2	45	Fuel Line.....	72
Checking and Refueling	65	Fuel System.....	85
Clutch Housing Water	85	Fuel Tank Water	77
Clutch Pedal	29	Fuse.....	85
Constant RPM Management Control	38	Gauges, Meter and Easy Checker(TM).....	68
Coolant Level	67	Grill, Radiator Screen, Oil Cooler and	
Coolant Temperature Gauge.....	34	Battery Mount	67
Cooling System and Coolant.....	83	Hand Throttle Lever.....	32
Diesel Particulate Filter (DPF) Muffler.....	12	Handling Points	13
Differential Lock.....	39	Head Lamp	87
Display Mode.....	35	Head Light, Turn Signal / Hazard Light etc....	68
Do not Operate the Tractor at Full Speed for		Holes of Lower Links	45
the First 50 Hours.....	24	Hood	64
DPF Muffler	68	Hydraulic Control Unit Use Reference Chart.	51
DPF Muffler	83	Hydraulic Oil Filter	77
DPF Regeneration Process.....	13	Hydraulic-Shuttle Shift Lever	31
DPF Related Pipe.....	83	Immediately Stop the Engine if:.....	32
DPF Related Rubber Pipe.....	84	Inflation Pressure.....	52
Drawbar.....	45	Intake Air Line.....	75
Dual Tires	52	Intake Air Line.....	84
Easy Checker(TM)	32	LCD Monitor Message	43
EGR Cooler	82	Lifting Rod (Right).....	46
EGR Cooler Rubber Pipe	84	Light Bulb.....	87
EGR Pipe	83	Light Switch	27
EGR System.....	82	Lubricating Grease Fitting [2WD Model].....	80
Electrical Outlet	40	Lubricating Grease Fittings.....	70
Engine Oil.....	78	Lubricating Oil for New Tractors	24
Engine Oil Filter	79	Main Gear Shift Lever.....	30
Engine Oil Level	66	Movable Parts.....	68
Engine Start System.....	68	Oil Separator Element	82
Engine Valve Clearance.....	82	Oil Separator Related Rubber Pipe	84
Evacuator Valve	67	Operating on Slopes and Rough Terrain.....	40
Exhaust Manifold.....	83	Operating the Tractor on a Road	39
Fan Belt Tension	72	Operator's Seat.....	26
Float Control.....	48	Parking	38
		Parking Brake	32

PCV (Positive Crankcase Ventilation) Valve	
Hose	84
PM Warning Level and Required Procedures	15
PM Warning Level and Required Procedures	17
Position Control	48
Power Steering.....	40
Power Steering Hose	84
Power Steering Line	76
PTO Clutch Control Lever	41
PTO Gear Shift Lever.....	42
PTO Shaft Cover and Shaft Cap.....	43
PTO Speed Display Mode Switching	37
PTO Speed Limiter.....	42
Radiator Hose (Water pipes).....	84
Radiator Hose and Clamp.....	75
Range Gear Shift Lever.....	30
Rear Ballast.....	58
Rear Wheels.....	56
Regeneration Operating Procedure	14
Regeneration Operating Procedure	16
Remote Control Valve	49
Remote Control Valve Coupler	
Connecting and Disconnecting.....	50
Remote Control Valve Lever	49
Seat Belt.....	27
Seat Belt and ROPS.....	68
Slow-Blow Fuses	86
Stopping	32
Supply Pump	82
Swing Drawbar	47
Tachometer	34
Telescopic Lower Links	47
Telescopic Stabilizers.....	47
Tie-rod Dust Cover	70
Tips on Diesel Particulate Filter (DPF)	
Regeneration.....	19
To Fold the ROPS	24
To Raise the ROPS to Upright Position	25
Toe-in	76
Top Link.....	46
Top Link Mounting Holes.....	45
Transmission Fluid	80
Transmission Fluid Level.....	66
Transport the Tractor Safely.....	40
Turbocharger.....	82
Turn Signal / Hazard Light Switch.....	27
Walk Around Inspection	64
Warm-up and Transmission Oil at	
Low Temperature Range.....	22
Water Separator	65
Water Separator	79
Wheel Bolt Torque.....	69
