

Instructions for Parts Books

The heading at the top of the page will be the same for the picture of the parts as it is for the page with the part numbers.

Definition of column headings on part number pages:

REF.No → The number referring to the part on the picture page of the parts book.

Part No. → The number assigned to this part at the time of printing the parts book.

Part Name → Description of part.

Q'ty → Quantity of part used on that page.

S.No. → Serial number range of the equipment that this part will fit.

>= Your serial number should be greater than or equal to the number shown.

<= Your serial number should be lesser than or equal to the serial number shown.

I/C → Interchangeability of part shown.

= The part shown will work for the older and later serial number.

NI The part shown is not interchangeable with the other serial number.

Remarks → Notes about this particular part. Sometimes this may say except [FR] or [CA]

Note about Country Codes:

The parts books we use in the United States of America may also contain information about a part that would be

different in another country. It is important that you are aware of the country codes in some instances.

Symbol Country

A United States of America

CA Canada

FR France

GR Greece

PO Portugal

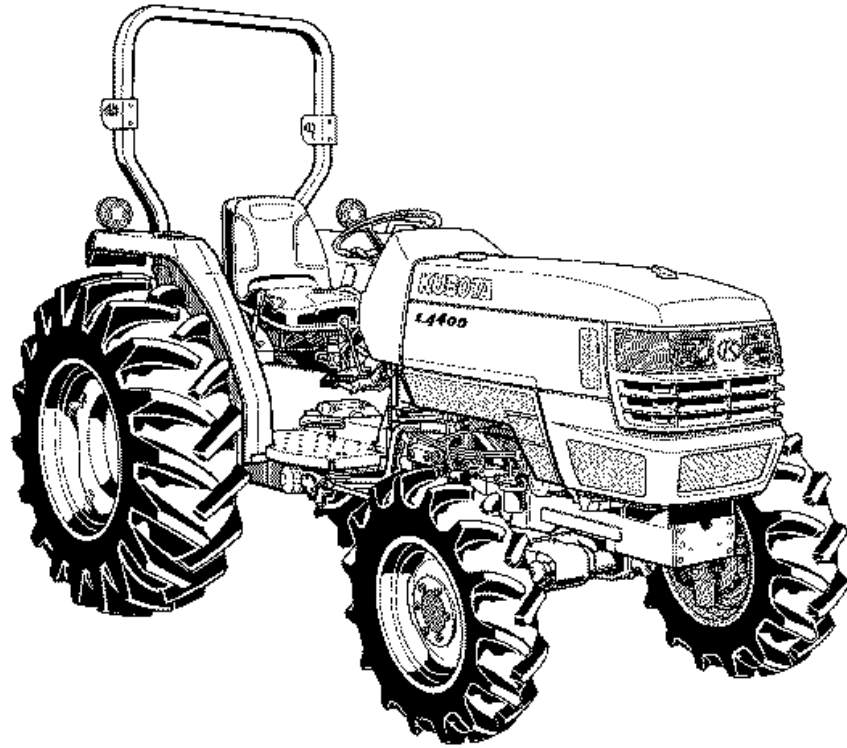
AU Australia

If the remarks column says for example EXCEPT [FR] this part works in all countries except France.

That means it will work here in the USA.

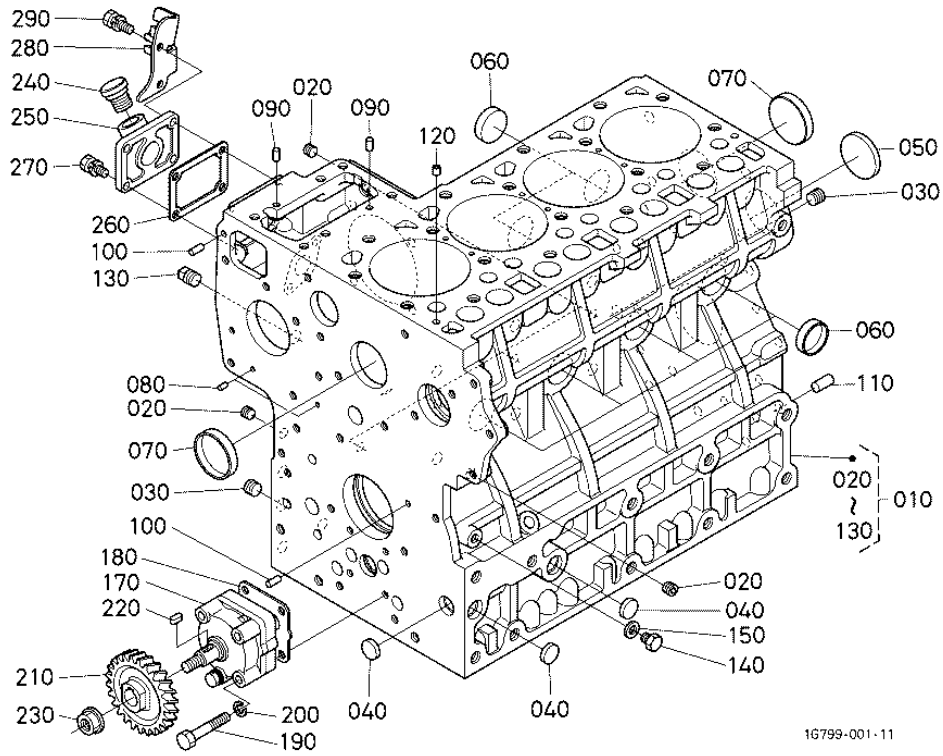
L4400H

Figure Num L4400H



CRANKCASE

Figure Num 010001



CRANKCASE

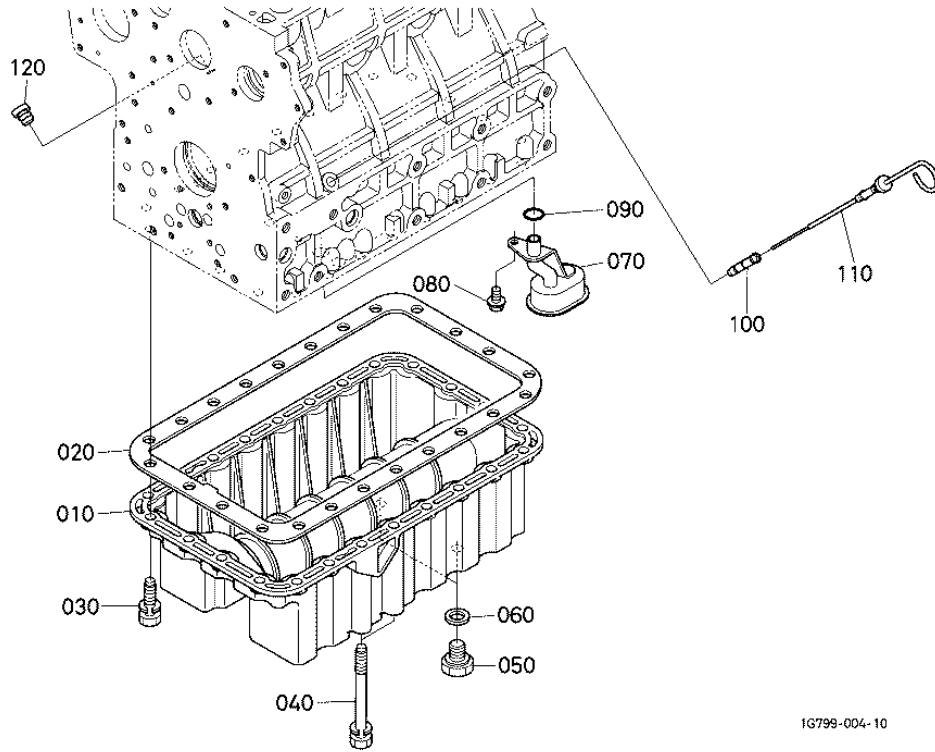
| Ref | Part Number | Part Name | Qty | IC | S/N | Lbs | Remarks |
|-----|-------------|----------------|-----|----|-----|-------|---------|
| 010 | 1G799-01012 | COMP.CRANKCASE | 1 | | | 119.9 | |
| 020 | 15521-96020 | PLUG | 6 | | | 0.006 | |
| 030 | 15521-96030 | PLUG | 2 | | | 0.015 | |
| 040 | 17391-96160 | PLUG EXPANSION | 3 | | | 0.006 | |
| 050 | 16271-96160 | PLUG EXPANSION | 1 | | | 0.055 | |
| 060 | 15221-03380 | CAP SEALING | 6 | | | 0.037 | |
| 070 | 15221-03390 | CAP SEALING | 2 | | | 0.066 | |

CRANKCASE

| Ref | Part Number | Part Name | Qty | IC | S/N | Lbs | Remarks |
|-----|-------------|---------------------|-----|----|-----|-------|---------|
| 080 | 05012-00408 | PIN STRAIGHT | 2 | | | 0.002 | |
| 090 | 05012-00609 | PIN STRAIGHT | 3 | | | 0.006 | |
| 100 | 05012-00612 | PIN STRAIGHT | 2 | | | 0.006 | |
| 110 | 05012-01018 | PIN STRAIGHT | 1 | | | 0.026 | |
| 120 | 15221-33650 | PIN PIPE | 1 | | | 0.008 | |
| 130 | 06312-10020 | PLUG | 1 | | | 0.035 | |
| 140 | 15469-33610 | PLUG | 1 | | | 0.017 | |
| 150 | 15021-33660 | GASKET | 1 | | | 0.002 | |
| 170 | 15471-35013 | ASSY PUMP OIL | 1 | | | 1.21 | |
| 180 | 1A021-35150 | GASKET OIL PUMP | 1 | | | 0.002 | |
| 190 | 01053-50650 | BOLT | 4 | | | 0.024 | |
| 200 | 04512-60060 | WASHER SPRING | 4 | | | 0.002 | |
| 210 | 19202-35660 | GEAR OIL PUMP DRIVE | 1 | | | 0.506 | |
| 220 | 05712-00410 | KEY FEATHER | 1 | | | 0.002 | |
| 230 | 15221-35682 | NUT FLANGE | 1 | | | 0.030 | |
| 240 | 16427-33142 | PLUG OIL FILLER | 1 | | | 0.055 | |
| 250 | 1A021-33110 | FLANGE OIL FILLER | 1 | | | 0.154 | |
| 260 | 1A021-51660 | GASKET PUMP COVER | 1 | | | 0.006 | |
| 270 | 01023-50618 | BOLT | 2 | | | 0.013 | |
| 280 | 1A053-57482 | BRACKET ACCEL.CABLE | 1 | | | 0.169 | |
| 290 | 01023-50622 | BOLT | 2 | | | 0.011 | |

OIL PAN

Figure Num 010002



1G799-004-10

OIL PAN

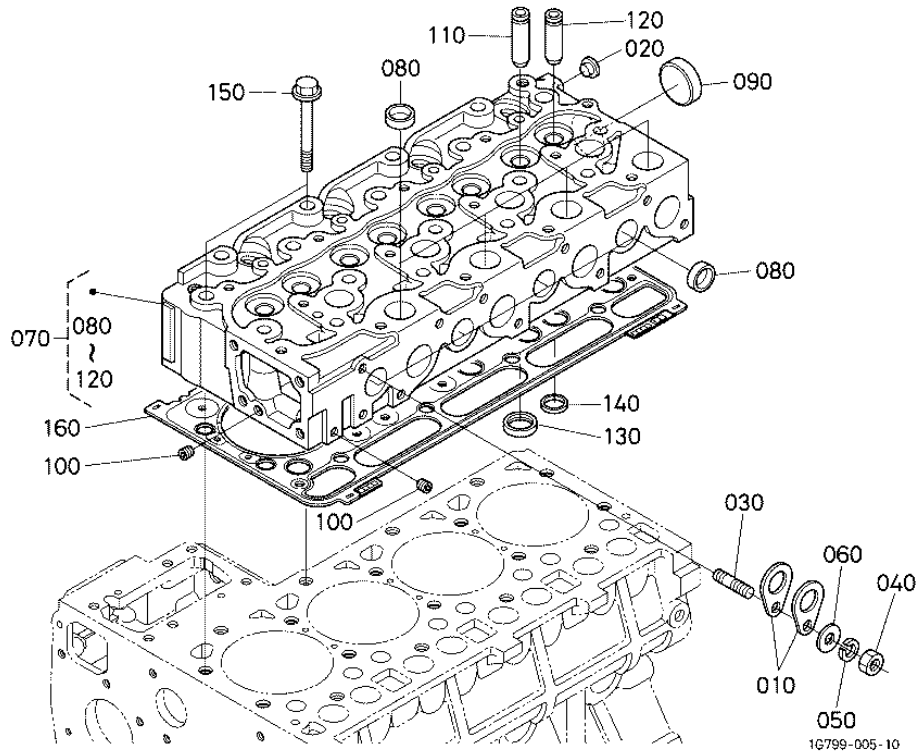
| Ref | Part Number | Part Name | Qty | IC | S/N | Lbs | Remarks |
|-----|-------------|----------------|-----|----|-----|-------|---------|
| 010 | 17341-01610 | OIL PAN | 1 | | | 9.02 | |
| 020 | 1A091-01620 | GASKET OIL PAN | 1 | | | 0.039 | |
| 030 | 1A091-91010 | BOLT | 22 | | | 0.055 | |
| 040 | 1A091-91020 | BOLT | 2 | | | 0.165 | |
| 050 | 16427-33750 | PLUG DRAIN | 2 | | | 0.066 | |
| 060 | 6C090-58960 | GASKET | 2 | | | 0.004 | |
| 070 | 15411-32110 | FILTER OIL | 1 | | | 0.528 | |

OIL PAN

| Ref | Part Number | Part Name | Qty | IC | S/N | Lbs | Remarks |
|-----|-------------|-----------------|-----|----|-----|-------|---------|
| 080 | 01754-50812 | BOLT FLANGE | 1 | | | 0.022 | |
| 090 | 04817-00160 | O RING | 1 | | | 0.002 | |
| 100 | 17456-36420 | GUIDE OIL GAUGE | 1 | | | 0.066 | |
| 110 | 1G851-36413 | GAUGE OIL | 1 | | | 0.088 | |
| 120 | 1G513-36550 | PLUG OIL GAUGE | 1 | | | 0.008 | |

CYLINDER HEAD

Figure Num 010003



CYLINDER HEAD

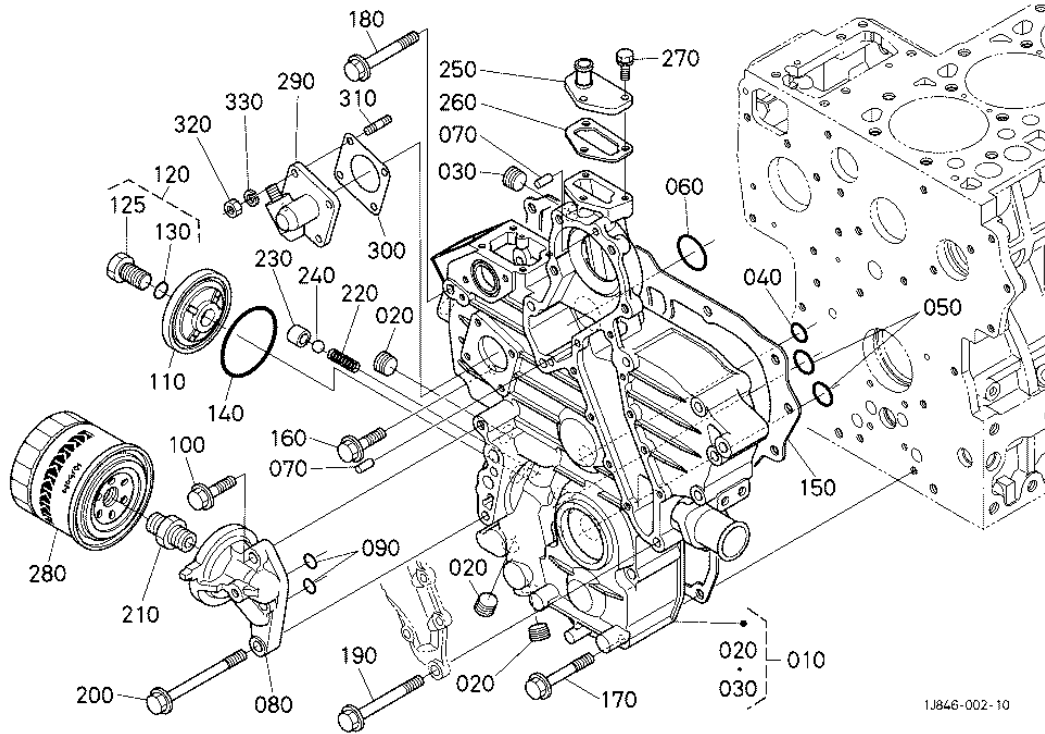
| Ref | Part Number | Part Name | Qty | IC | S/N | Lbs | Remarks |
|-----|-------------|--------------------|-----|----|-----|-------|---------|
| 010 | 15221-01750 | HOOK ENGINE | 2 | | | 0.088 | |
| 020 | 09980-10075 | CAP PROTECTOR | 1 | | | 0.002 | |
| 030 | 15471-91530 | STUD | 1 | | | 0.022 | |
| 040 | 02156-50080 | NUT | 1 | | | 0.008 | |
| 050 | 04512-60080 | WASHER SPRING | 1 | | | 0.004 | |
| 060 | 04012-50080 | WASHER PLAIN | 1 | | | 0.002 | |
| 070 | 1G916-03040 | COMP.CYLINDER HEAD | 1 | | | 42.24 | |

CYLINDER HEAD

| Ref | Part Number | Part Name | Qty | IC | S/N | Lbs | Remarks |
|-----|-------------|----------------------|-----|----|-----|-------|---------|
| 080 | 15221-03370 | CAP SEALING | 12 | | | 0.022 | |
| 090 | 15221-03490 | CAP SEALING | 1 | | | 0.044 | |
| 100 | 15261-96010 | PLUG | 2 | | | 0.004 | |
| 110 | 17321-13580 | GUIDE INLET VALVE | 4 | | | 0.033 | |
| 120 | 1C010-13560 | GUIDE VALVE EXHAUST | 4 | | | 0.055 | |
| 130 | 16415-13620 | SEAT INLET VALVE | 4 | | | 0.022 | |
| 140 | 16415-13612 | SEAT EXHAUST VALVE | 4 | | | 0.022 | |
| 150 | 19013-03450 | BOLT CYLINDER HEAD | 18 | | | 0.169 | |
| 160 | 1G790-03632 | GASKET CYLINDER HEAD | 1 | | | 0.726 | 1.35mm |
| 160 | 1G790-03312 | GASKET CYLINDER HEAD | 1 | | | 0.638 | 1.20mm |
| 160 | 1G790-03602 | GASKET CYLINDER HEAD | 1 | | | 0.605 | 1.15mm |
| 160 | 1G790-03612 | GASKET CYLINDER HEAD | 1 | | | 0.66 | 1.25mm |
| 160 | 1G790-03622 | GASKET CYLINDER HEAD | 1 | | | 0.693 | 1.30mm |

GEAR CASE

Figure Num 010004



1J846-002-10

GEAR CASE

| Ref | Part Number | Part Name | Qty | IC | S/N | Lbs | Remarks |
|-----|-------------|----------------|-----|----|-----|-------|---------|
| 010 | 1A033-04025 | COMP.CASE GEAR | 1 | | | 8.36 | |
| 020 | 16241-96020 | PLUG | 3 | | | 0.033 | |
| 030 | 1A021-96020 | PLUG | 1 | | | 0.033 | |
| 040 | 04817-00150 | O RING | 1 | | | 0.002 | |
| 050 | 04817-00220 | O RING | 2 | | | 0.002 | |
| 060 | 04817-00360 | O RING | 1 | | | 0.002 | |
| 070 | 05012-00612 | PIN STRAIGHT | 2 | | | 0.006 | |

GEAR CASE

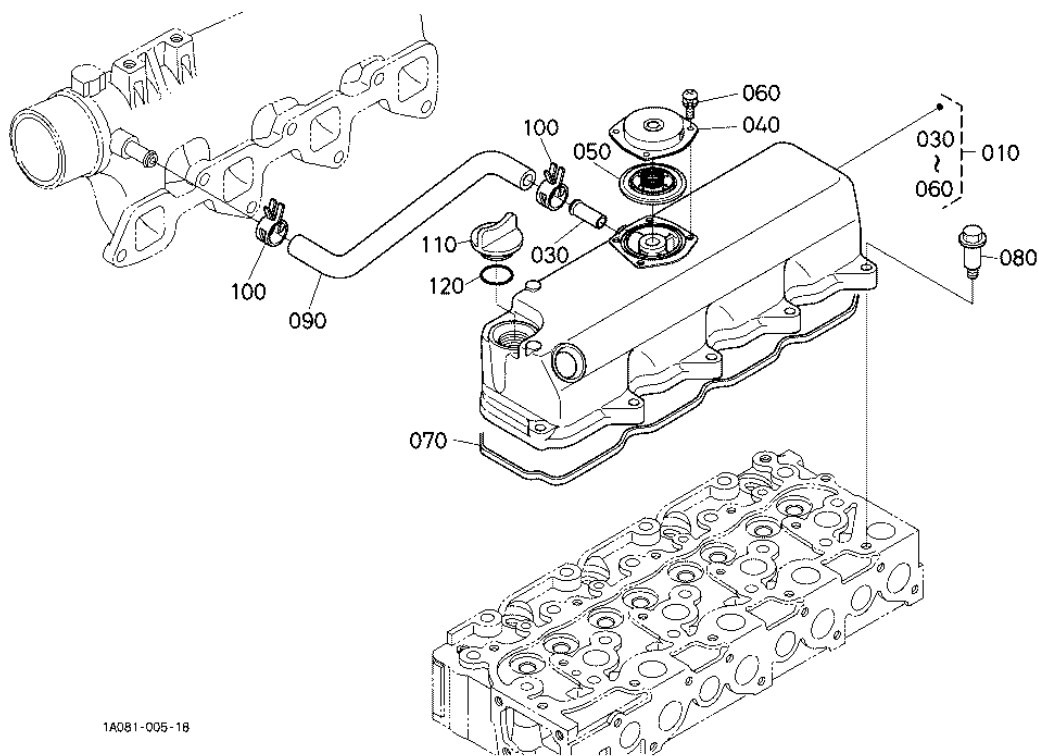
| Ref | Part Number | Part Name | Qty | IC | S/N | Lbs | Remarks |
|-----|-------------|----------------------|-----|----|-----|-------|---------|
| 080 | 1G742-32613 | BASE OIL FILTER | 1 | | | 0.539 | |
| 090 | 04817-00150 | O RING | 2 | | | 0.002 | |
| 100 | 01754-50830 | BOLT FLANGE | 1 | | | 0.11 | |
| 110 | 17331-32880 | COVER | 1 | | | 0.165 | |
| 120 | 17331-32910 | COMP BOLT | 1 | | | 0.154 | |
| 125 | 17331-32900 | BOLT | 1 | | | 0.132 | |
| 130 | 04817-00150 | O RING | 1 | | | 0.002 | |
| 140 | 19202-96830 | O RING | 1 | | | 0.022 | |
| 150 | 1A021-04130 | GASKET GEAR CASE | 1 | | | 0.041 | |
| 160 | 01754-50830 | BOLT FLANGE | 1 | | | 0.11 | |
| 170 | 1A021-91030 | BOLT FLANGE | 7 | | | 0.066 | |
| 180 | 01754-50875 | BOLT FLANGE | 2 | | | 0.066 | |
| 190 | 01754-50885 | BOLT FLANGE | 3 | | | 0.070 | |
| 200 | 1A021-91040 | BOLT FLANGE | 2 | | | 0.099 | |
| 210 | 1A021-32290 | JOINT PIPE | 1 | | | 0.11 | |
| 220 | 15241-36950 | SPRING | 1 | | | 0.008 | |
| 230 | 15521-36930 | SEAT VALVE | 1 | | | 0.033 | |
| 240 | 07715-03213 | BALL | 1 | | | 0.008 | |
| 250 | 15521-73320 | FLANGE WATER RETURN | 1 | | | 0.088 | |
| 260 | 1A021-73332 | GASKET RETURN FLANGE | 1 | | | 0.004 | |
| 270 | 01023-50620 | BOLT | 3 | | | 0.013 | |
| 280 | HH164-32430 | CARTRIDGE OIL FILTER | 1 | | | 1.1 | |
| 290 | 38240-34660 | ASSY GEAR CASE H/M | 1 | | | 0.737 | |
| 300 | 1G751-88130 | GASKET HOUR METER | 1 | | | 0.002 | |
| 310 | 15221-88210 | STUD | 4 | | | 0.011 | |
| 320 | 02056-50060 | NUT | 4 | | | 0.004 | |

GEAR CASE

| Ref | Part Number | Part Name | Qty | IC | S/N | Lbs | Remarks |
|------------|--------------------|------------------|------------|-----------|------------|------------|----------------|
| 330 | 04512-60060 | WASHER SPRING | 4 | | | 0.002 | |

HEAD COVER

Figure Num 010005



1A081-005-18

HEAD COVER

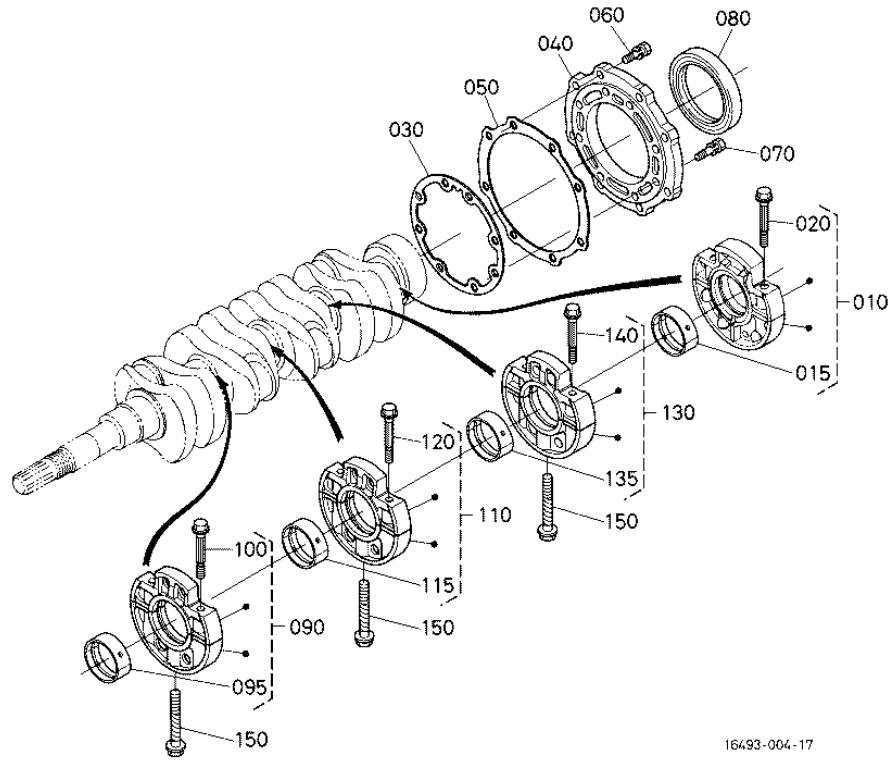
| Ref | Part Number | Part Name | Qty | IC | S/N | Lbs | Remarks |
|-----|-------------|---------------------|-----|----|-----|-------|---------|
| 010 | 1G790-14506 | ASSY COVER CYL.HEAD | 1 | | | 3.52 | |
| 030 | 17331-73342 | PIPE WATER RETURN | 1 | | | 0.022 | |
| 040 | 1G801-05120 | COVER BREATHER | 1 | | | 0.077 | |
| 050 | 1G911-05203 | COMP.VALVE BREATHER | 1 | | | 0.022 | |
| 060 | 03024-50510 | SCREW WITH WASHER | 4 | | | 0.004 | |
| 070 | 1G911-14523 | GASKET HEAD COVER | 1 | | | 0.055 | |
| 080 | 1G911-91022 | BOLT | 10 | | | 0.033 | |

HEAD COVER

| Ref | Part Number | Part Name | Qty | IC | S/N | Lbs | Remarks |
|-----|-------------|-----------------|-----|----|-----|-------|---------|
| 090 | 1G780-05510 | TUBE BREATHER | 1 | | | 0.132 | |
| 100 | 09318-88180 | CLAMP HOSE | 2 | | | 0.022 | |
| 110 | 15852-33140 | PLUG OIL FILLER | 1 | | | 0.083 | |
| 120 | 04817-50300 | O RING | 1 | | | 0.002 | |

MAIN BEARING CASE

Figure Num 010100



16493-004-17

MAIN BEARING CASE

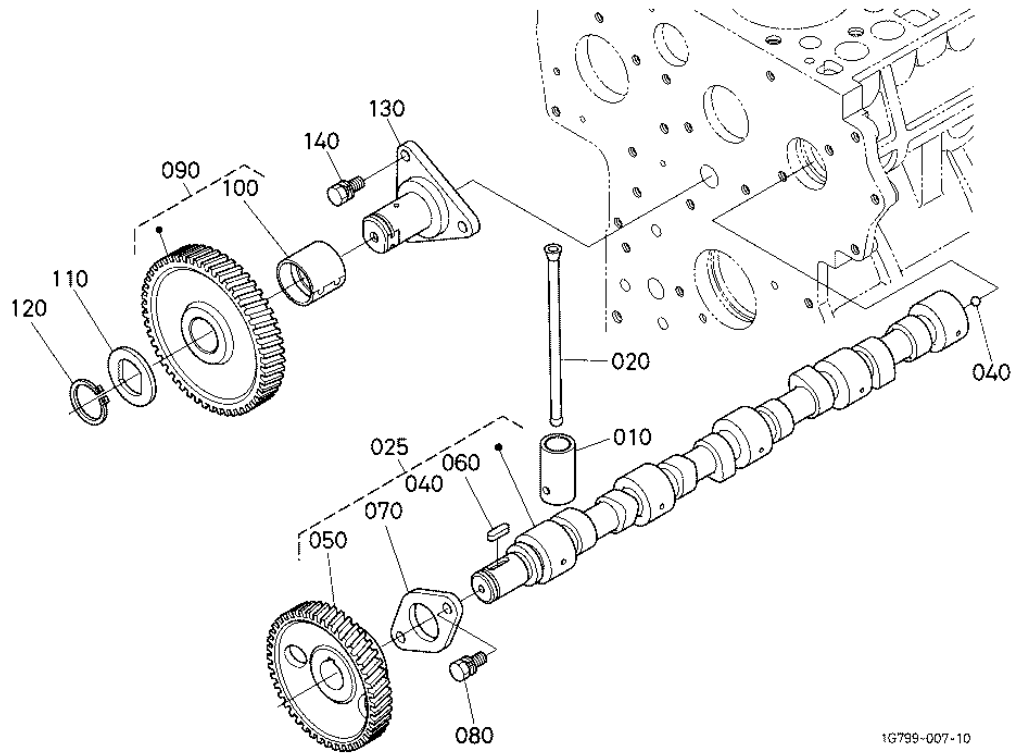
| Ref | Part Number | Part Name | Qty | IC | S/N | Lbs | Remarks |
|-----|-------------|---------------------|-----|----|-----|-------|---------|
| 010 | 1A041-07093 | ASSY BRG.CASE WHEEL | 1 | | | 2.948 | |
| 015 | 1A091-23480 | METAL CRANKSHAFT | 1 | | | 0.11 | STD/SET |
| 020 | 1A091-04540 | BOLT BEARING CASE | 2 | | | 0.077 | |
| 030 | 1A091-04362 | GASKET BEARING CASE | 1 | | | 0.011 | |
| 040 | 1G851-04813 | COVER BEARING CASE | 1 | | | 1.089 | |
| 050 | 1A091-04820 | GASKET CASE COVER | 1 | | | 0.013 | |
| 060 | 01123-50825 | BOLT | 8 | | | 0.028 | |

MAIN BEARING CASE

| Ref | Part Number | Part Name | Qty | IC | S/N | Lbs | Remarks |
|-----|-------------|--------------------|-----|----|-----|-------|---------|
| 070 | 01123-50828 | BOLT | 8 | | | 0.030 | |
| 080 | 19202-04460 | SEAL OIL | 1 | | | 0.121 | |
| 090 | 1A091-07043 | ASSY BRG.CASE MAIN | 1 | | | 2.948 | |
| 095 | 1A091-23480 | METAL CRANKSHAFT | 1 | | | 0.11 | STD/SET |
| 100 | 1A091-04540 | BOLT BEARING CASE | 2 | | | 0.077 | |
| 110 | 1A091-07053 | ASSY BRG.CASE MAIN | 1 | | | 2.948 | |
| 115 | 1A091-23480 | METAL CRANKSHAFT | 1 | | | 0.11 | STD/SET |
| 120 | 1A091-04540 | BOLT BEARING CASE | 2 | | | 0.077 | |
| 130 | 1A091-07063 | ASSY BRG.CASE MAIN | 1 | | | 3.179 | |
| 135 | 1A091-23480 | METAL CRANKSHAFT | 1 | | | 0.11 | STD/SET |
| 140 | 1A091-04540 | BOLT BEARING CASE | 2 | | | 0.077 | |
| 150 | 15601-04560 | BOLT BEARING CASE | 3 | | | 0.132 | |

CAMSHAFT AND IDLE GEAR SHAFT

Figure Num 010101



1G799-007-10

CAMSHAFT AND IDLE GEAR SHAFT

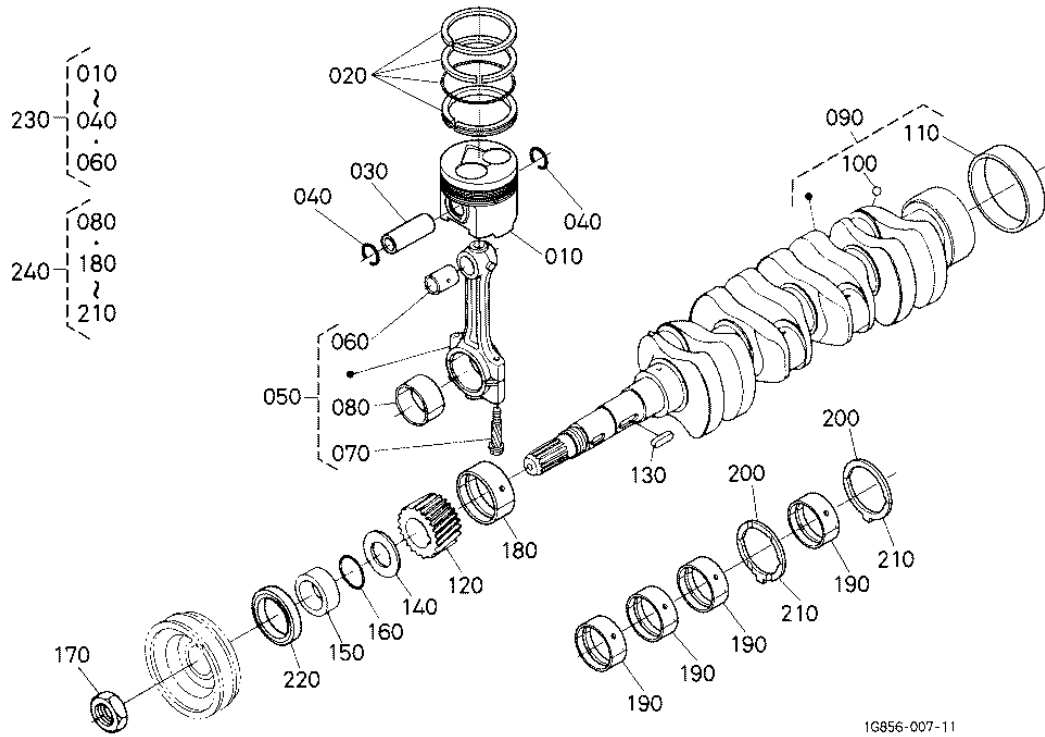
| Ref | Part Number | Part Name | Qty | IC | S/N | Lbs | Remarks |
|-----|-------------|------------------|-----|----|-----|-------|---------|
| 010 | 15601-15550 | TAPPET | 8 | | | 0.176 | |
| 020 | 19013-15110 | PUSH ROD | 8 | | | 0.11 | |
| 025 | 1A091-16010 | ASSY CAMSHAFT | 1 | | | 6.006 | |
| 040 | 07715-00401 | BALL | 1 | | | 0.002 | |
| 050 | 1A091-16513 | GEAR CAM | 1 | | | 1.76 | |
| 060 | 05712-00720 | KEY FEATHER | 1 | | | 0.017 | |
| 070 | 15221-16270 | STOPPER CAMSHAFT | 1 | | | 0.160 | |

CAMSHAFT AND IDLE GEAR SHAFT

| Ref | Part Number | Part Name | Qty | IC | S/N | Lbs | Remarks |
|-----|-------------|-------------------|-----|----|-----|-------|---------|
| 080 | 01123-50818 | BOLT | 2 | | | 0.026 | |
| 090 | 1A091-24010 | COMP.GEAR IDLE | 1 | | | 2.662 | |
| 100 | 1A021-24980 | BUSH IDLE GEAR | 1 | | | 0.158 | |
| 110 | 1A021-24370 | COLLAR | 1 | | | 0.048 | |
| 120 | 15451-95400 | CIR CLIP EXTERNAL | 1 | | | 0.022 | |
| 130 | 1A021-24252 | SHAFT IDLE GEAR | 1 | | | 1.507 | |
| 140 | 01123-50818 | BOLT | 3 | | | 0.026 | |

PISTON AND CRANKSHAFT

Figure Num 010102



1G856-007-11

PISTON AND CRANKSHAFT

| Ref | Part Number | Part Name | Qty | IC | S/N | Lbs | Remarks |
|-----|-------------|---------------------|-----|----|-----|-------|---------|
| 010 | 1G813-21900 | PISTON | 4 | | | 1.21 | +0.25mm |
| 010 | 1G813-21110 | PISTON | 4 | | | 1.199 | STD |
| 020 | 1A091-21050 | ASSY PISTON RING | 4 | | | 0.121 | STD |
| 020 | 1A091-21090 | ASSY PISTON RING | 4 | | | 0.099 | +0.25mm |
| 030 | 1A021-21310 | PIN PISTON | 4 | | | 0.363 | |
| 040 | 1G279-21330 | CIR CLIP INTERNAL | 8 | | | 0.002 | |
| 050 | 17311-22010 | ASSY CONNECTING ROD | 4 | | | 1.947 | |

PISTON AND CRANKSHAFT

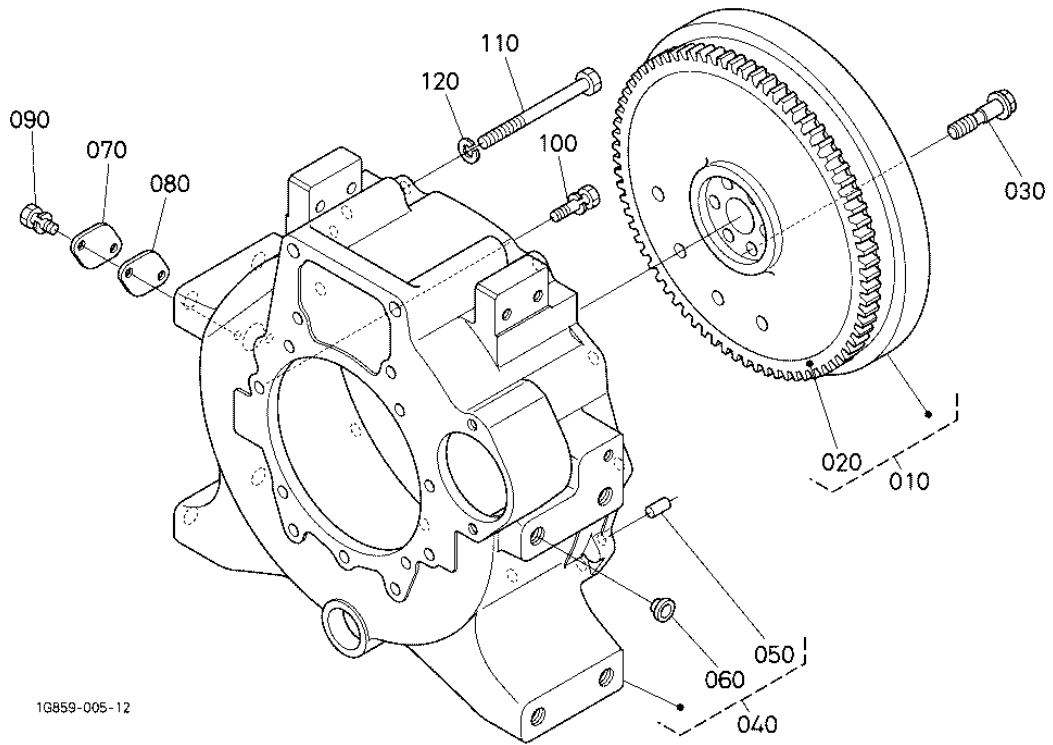
| Ref | Part Number | Part Name | Qty | IC | S/N | Lbs | Remarks |
|-----|-------------|---------------------|-----|----|-----|-------|-------------|
| 060 | 17331-21980 | BUSH PISTON PIN | 4 | | | 0.055 | |
| 070 | 15521-22142 | BOLT CONNECTING ROD | 8 | | | 0.057 | |
| 080 | 17311-22980 | METAL CRANKPIN | 4 | | | 0.099 | -0.40mm/SET |
| 080 | 17311-22310 | METAL CRANKPIN | 4 | | | 0.099 | STD/SET |
| 080 | 17311-22970 | METAL CRANKPIN | 4 | | | 0.11 | -0.20mm/SET |
| 090 | 1G790-23013 | COMP.CRANKSHAFT | 1 | | | 36.3 | |
| 100 | 07715-00401 | BALL | 4 | | | 0.002 | |
| 110 | 19202-23280 | BUSH CRANKSHAFT | 1 | | | 0.198 | |
| 120 | 1A081-24110 | GEAR CRANKSHAFT | 1 | | | 0.913 | |
| 130 | 05712-00728 | KEY FEATHER | 1 | | | 0.022 | |
| 140 | 15471-23312 | SLINGER OIL | 1 | | | 0.017 | |
| 150 | 19202-23250 | COLLAR CRANKSHAFT | 1 | | | 0.143 | |
| 160 | 04811-10300 | O RING | 1 | | | 0.002 | |
| 170 | 15221-23360 | NUT CRANKSHAFT | 1 | | | 0.242 | |
| 180 | 1A091-23470 | METAL CRANKSHAFT | 1 | | | 0.136 | STD |
| 180 | 1A091-23910 | METAL CRANKSHAFT | 1 | | | 0.143 | -0.20mm |
| 180 | 1A091-23920 | METAL CRANKSHAFT | 1 | | | 0.143 | -0.40mm |
| 190 | 1A091-23480 | METAL CRANKSHAFT | 4 | | | 0.11 | STD/SET |
| 190 | 1A091-23930 | METAL CRANKSHAFT | 4 | | | 0.132 | -0.20mm/SET |
| 190 | 1A091-23940 | METAL CRANKSHAFT | 4 | | | 0.143 | -0.40mm/SET |
| 200 | 1A091-23950 | METAL SIDE | 2 | | | 0.011 | +0.20mm |
| 200 | 1A091-23960 | METAL SIDE | 2 | | | 0.011 | +0.40mm |
| 200 | 1A091-23530 | METAL SIDE | 2 | | | 0.019 | STD |
| 210 | 1A091-23970 | METAL SIDE | 2 | | | 0.011 | +0.20mm |
| 210 | 1A091-23980 | METAL SIDE | 2 | | | 0.011 | +0.40mm |
| 210 | 1A091-23540 | METAL SIDE | 2 | | | 0.019 | STD |

PISTON AND CRANKSHAFT

| Ref | Part Number | Part Name | Qty | IC | S/N | Lbs | Remarks |
|-----|-------------|------------------|-----|----|-----|-------|-----------------|
| 220 | 19202-04140 | SEAL OIL | 1 | | | 0.033 | |
| 230 | 1G813-21770 | KIT PISTON | 4 | | | 1.628 | STD |
| 230 | 1G813-21780 | KIT PISTON | 4 | | | 1.782 | +0.25mm |
| 240 | 1G856-23770 | KIT METAL ENGINE | 1 | | | 1.76 | -0.40mm/+0.40mm |
| 240 | 1G856-23750 | KIT METAL ENGINE | 1 | | | 1.562 | STD |
| 240 | 1G856-23760 | KIT METAL ENGINE | 1 | | | 1.826 | -0.20mm/+0.20mm |

FLYWHEEL

Figure Num 010103



FLYWHEEL

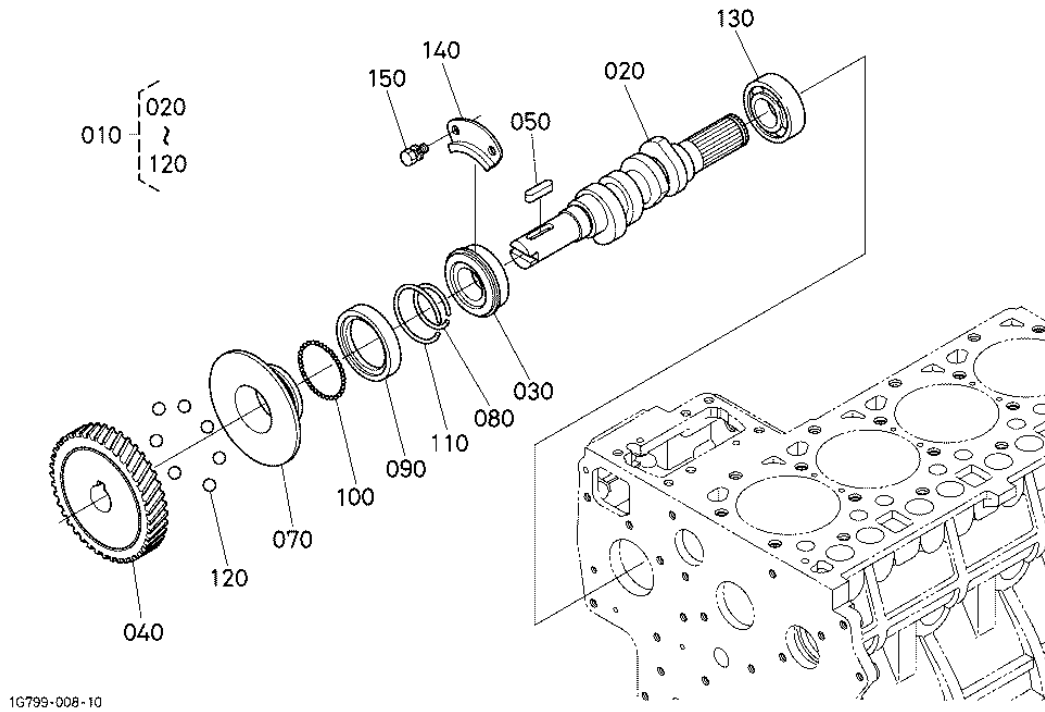
| Ref | Part Number | Part Name | Qty | IC | S/N | Lbs | Remarks |
|-----|-------------|-------------------|-----|----|-----|-------|---------|
| 010 | 1G793-25010 | COMP.FLYWHEEL | 1 | | | 66 | |
| 020 | 1A021-63820 | GEAR RING | 1 | | | 3.3 | |
| 030 | 16457-25160 | BOLT FLYWHEEL | 6 | | | 0.138 | |
| 040 | TD060-20103 | COMP.HOUSING F-W. | 1 | | | 77 | |
| 050 | 05012-01018 | PIN STRAIGHT | 2 | | | 0.026 | |
| 060 | 33300-90910 | PLUG | 8 | | | 0.004 | |
| 070 | 15521-04680 | COVER | 1 | | | 0.077 | |

FLYWHEEL

| Ref | Part Number | Part Name | Qty | IC | S/N | Lbs | Remarks |
|-----|-------------|---------------|-----|----|-----|-------|---------|
| 080 | 15521-04790 | PACKING COVER | 1 | | | 0.011 | |
| 090 | 01123-60816 | BOLT | 2 | | | 0.022 | |
| 100 | 16427-91010 | BOLT | 11 | | | 0.008 | |
| 110 | 01073-51207 | BOLT | 2 | | | 0.270 | |
| 120 | 04512-60120 | WASHER SPRING | 2 | | | 0.011 | |

FUEL CAMSHAFT

Figure Num 010105



1G799-008-10

FUEL CAMSHAFT

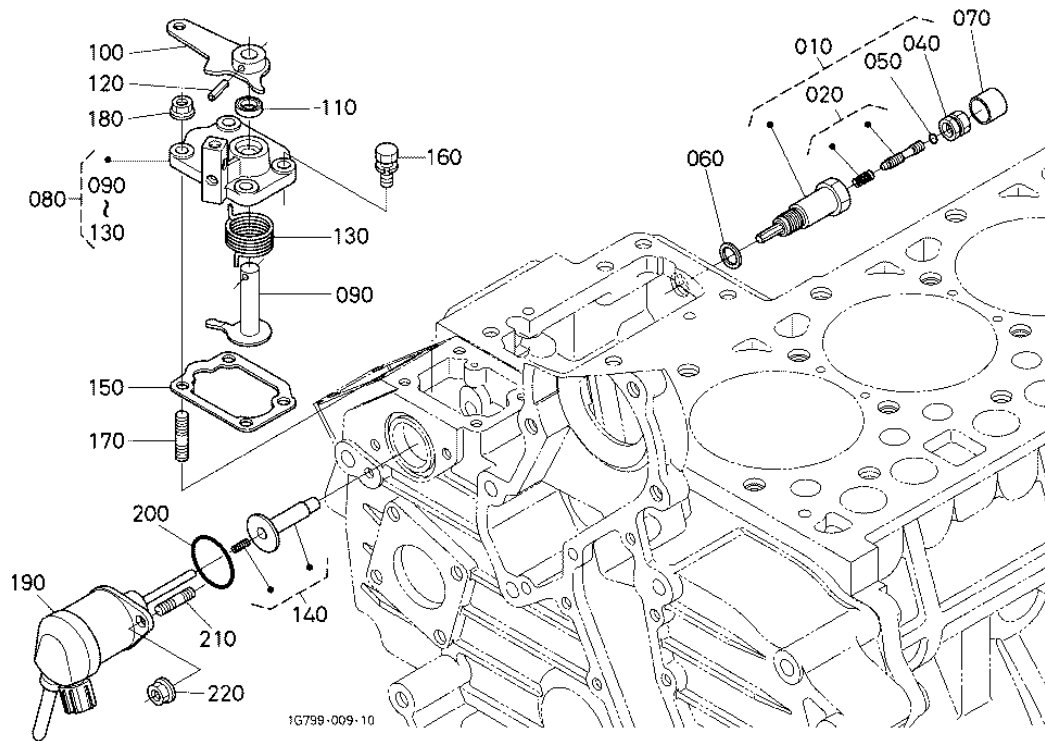
| Ref | Part Number | Part Name | Qty | IC | S/N | Lbs | Remarks |
|-----|-------------|----------------------|-----|----|-----|-------|---------|
| 010 | 19077-16020 | ASSY CAMSHAFT FUEL | 1 | | | 6.6 | |
| 020 | 19077-16173 | CAMSHAFT FUEL | 1 | | | 2.464 | |
| 030 | 08153-06205 | BEARING BALL | 1 | | | 0.286 | |
| 040 | 16415-51150 | GEAR INJECTION PUMP | 1 | | | 2.365 | |
| 050 | 05712-00525 | KEY FEATHER | 1 | | | 0.011 | |
| 070 | 15611-55450 | SLEEVE GOVERNOR | 1 | | | 0.257 | |
| 080 | 15221-55470 | CIR-CLIP GOV. SLEEVE | 1 | | | 0.006 | |

FUEL CAMSHAFT

| Ref | Part Number | Part Name | Qty | IC | S/N | Lbs | Remarks |
|-----|-------------|----------------------|-----|----|-----|-------|---------|
| 090 | 15611-55690 | CASE GOVERNOR BALL | 1 | | | 0.066 | |
| 100 | 07715-03205 | BALL | 39 | | | 0.002 | |
| 110 | 15221-55740 | CIR-CLIP | 1 | | | 0.004 | |
| 120 | 07715-00403 | BALL | 7 | | | 0.066 | |
| 130 | 1G778-97300 | BEARING BALL | 1 | | | 0.396 | |
| 140 | 15221-16320 | STOPPER FUEL C/SHAFT | 1 | | | 0.044 | |
| 150 | 01123-60814 | BOLT | 2 | | | 0.022 | |

ENGINE STOP LEVER

Figure Num 010200



ENGINE STOP LEVER

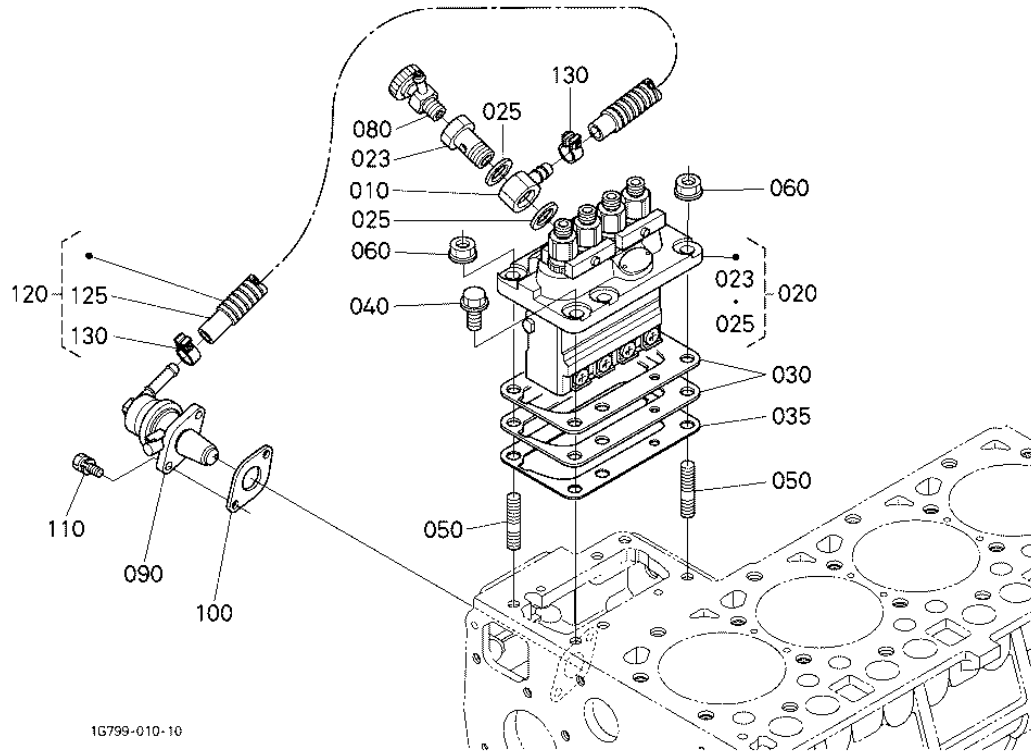
| Ref | Part Number | Part Name | Qty | IC | S/N | Lbs | Remarks |
|-----|-------------|----------------------|-----|----|-----|-------|---------|
| 010 | 1A021-54160 | APPARATUS IDLING | 1 | | | 0.226 | |
| 020 | 1G911-54100 | ASSY BOLT ADJUSTMENT | 1 | | | 0.017 | |
| 040 | 1G911-92010 | NUT SPRING | 1 | | | 0.033 | |
| 050 | 04814-00060 | O RING | 1 | | | 0.002 | |
| 060 | 04724-00140 | GASKET | 1 | | | 0.004 | |
| 070 | 1G911-54270 | CAP | 1 | | | 0.004 | |
| 080 | 1A021-57703 | ASSY LEVER ENG.STOP | 1 | | | 0.404 | |

ENGINE STOP LEVER

| Ref | Part Number | Part Name | Qty | IC | S/N | Lbs | Remarks |
|-----|-------------|---------------------|-----|----|-----|-------|---------|
| 090 | 1A021-57710 | COMP.LEVER STOP | 1 | | | 0.083 | |
| 100 | 1A021-57720 | LEVER ENGINE STOP | 1 | | | 0.121 | |
| 110 | 16691-57980 | SEAL OIL | 1 | | | 0.002 | |
| 120 | 05411-00420 | PIN SPRING | 1 | | | 0.002 | |
| 130 | 1A021-57920 | SPRING RETURN | 1 | | | 0.022 | |
| 140 | 1A021-56602 | COMP.GUIDE SOLENOID | 1 | | | 0.015 | |
| 150 | 1A021-57212 | GASKET PLATE | 1 | | | 0.002 | |
| 160 | 01023-50620 | BOLT | 2 | | | 0.013 | |
| 170 | 15221-88210 | STUD | 2 | | | 0.011 | |
| 180 | 02751-50060 | NUT FLANGE | 2 | | | 0.011 | |
| 190 | 1A021-60015 | ASSY SOLENOID | 1 | | | 0.638 | |
| 200 | 04814-06310 | O RING | 1 | | | 0.004 | |
| 210 | 15221-88210 | STUD | 2 | | | 0.011 | |
| 220 | 02751-50060 | NUT FLANGE | 2 | | | 0.011 | |

INJECTION PUMP

Figure Num 010202



1G799-010-10

INJECTION PUMP

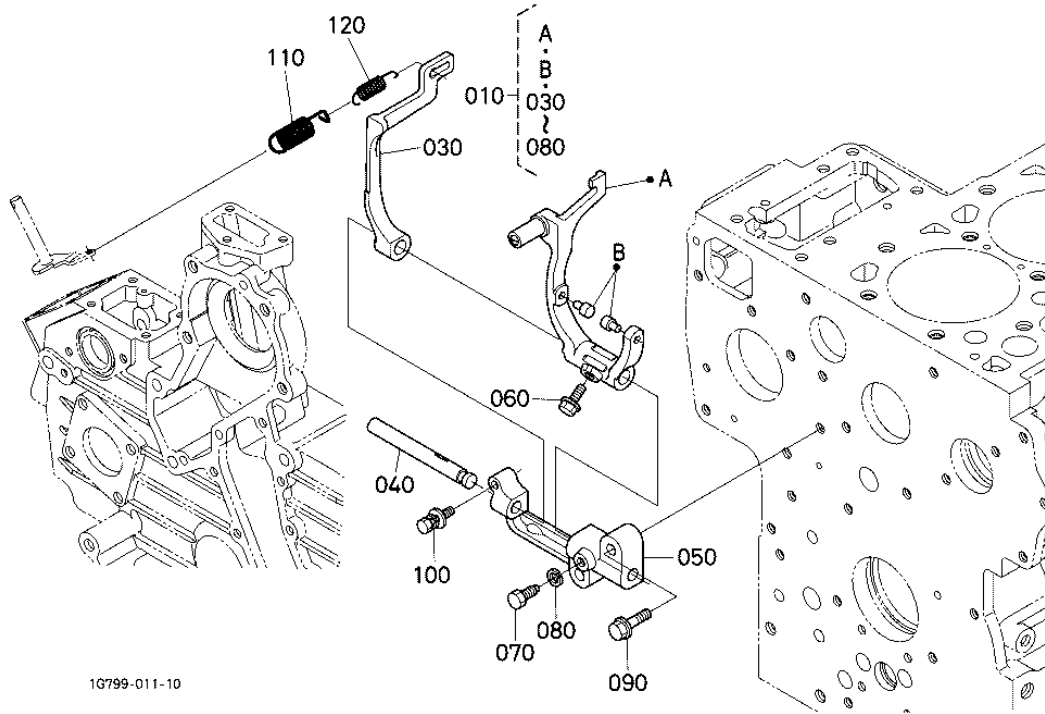
| Ref | Part Number | Part Name | Qty | IC | S/N | Lbs | Remarks |
|-----|-------------|---------------------|-----|----|-----|-------|---------|
| 010 | 15401-95690 | JOINT EYE | 1 | | | 0.088 | |
| 020 | 1G916-51010 | ASSY PUMP INJECTION | 1 | | | 6.16 | |
| 023 | 15471-51320 | SCREW HOLLOW | 1 | | | 0.070 | |
| 025 | 15401-96650 | GASKET | 2 | | | 0.002 | |
| 030 | 19077-52092 | SHIM INJECTION PUMP | 1 | | | 0.013 | 0.200mm |
| 030 | 19077-52113 | SHIM INJECTION PUMP | 1 | | | 0.004 | 0.250mm |
| 030 | 19077-52123 | SHIM INJECTION PUMP | 1 | | | 0.022 | 0.300mm |

INJECTION PUMP

| Ref | Part Number | Part Name | Qty | IC | S/N | Lbs | Remarks |
|-----|-------------|---------------------|-----|----|-----|-------|---------|
| 035 | 1G896-52200 | SHIM INJECTION PUMP | 1 | | | 0.011 | 0.175mm |
| 040 | 01754-50820 | BOLT FLANGE | 4 | | | 0.033 | |
| 050 | 15221-91530 | STUD | 2 | | | 0.024 | |
| 060 | 02751-50080 | NUT FLANGE | 2 | | | 0.013 | |
| 080 | 14311-60504 | ASSY COCK JET START | 1 | | | 0.074 | |
| 090 | 17121-52030 | ASSY PUMP FUEL | 1 | | | 0.286 | |
| 100 | 1G751-52140 | GASKET FUEL PUMP | 1 | | | 0.002 | |
| 110 | 01023-50616 | BOLT | 2 | | | 0.011 | |
| 120 | T1060-42602 | ASSY TUBE FUEL | 1 | | | 0.094 | |
| 125 | 09661-70220 | TUBE FUEL | 1 | | | 0.066 | |
| 130 | 14301-42750 | CLIP PIPE | 2 | | | 0.011 | |

GOVERNOR

Figure Num 010204



1G799-011-10

GOVERNOR

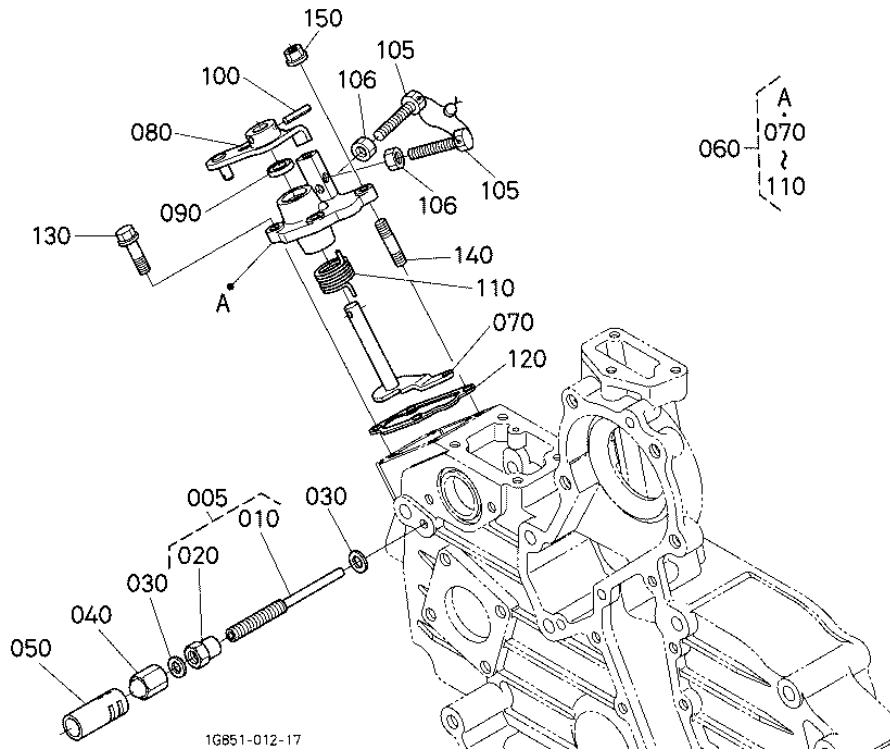
| Ref | Part Number | Part Name | Qty | IC | S/N | Lbs | Remarks |
|-----|-------------|-------------------|-----|----|-----|-------|---------|
| 010 | 1J846-56050 | ASSY LEVER FORK | 1 | | | 0.814 | |
| 030 | 1A021-56133 | LEVER FORK | 1 | | | 0.077 | |
| 040 | 1G911-56150 | SHAFT FORK LEVER | 1 | | | 0.11 | |
| 050 | 15221-56230 | HOLDER FORK LEVER | 1 | | | 0.22 | |
| 060 | 01754-50618 | BOLT FLANGE | 1 | | | 0.022 | |
| 070 | 15221-66410 | BOLT | 1 | | | 0.011 | |
| 080 | 04512-60060 | WASHER SPRING | 1 | | | 0.002 | |

GOVERNOR

| Ref | Part Number | Part Name | Qty | IC | S/N | Lbs | Remarks |
|------------|--------------------|------------------|------------|-----------|------------|------------|----------------|
| 090 | 01754-50830 | BOLT FLANGE | 2 | | | 0.11 | |
| 100 | 01025-50630 | BOLT | 1 | | | 0.019 | |
| 110 | 1A001-56415 | SPRING GOVERNOR | 1 | | | 0.013 | |
| 120 | 1A021-56422 | SPRING GOVERNOR | 1 | | | 0.004 | |

SPEED CONTROL PLATE

Figure Num 010205



SPEED CONTROL PLATE

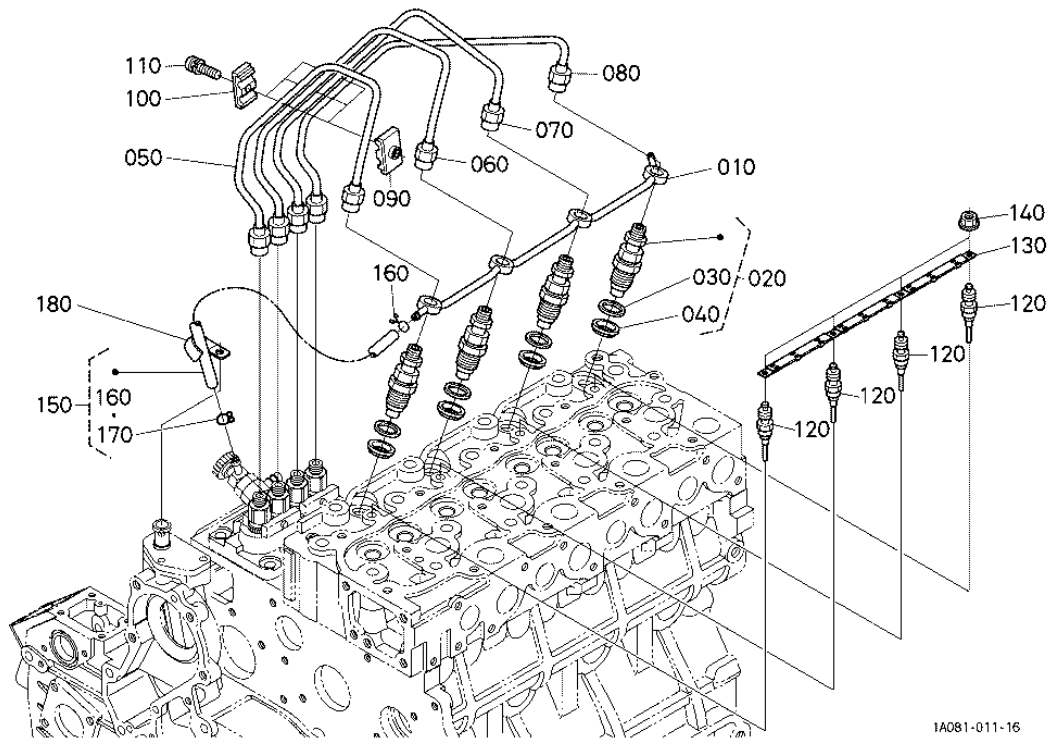
| Ref | Part Number | Part Name | Qty | IC | S/N | Lbs | Remarks |
|-----|-------------|----------------------|-----|----|-----|-------|---------|
| 005 | 1A021-54350 | ASSY BOLT ADJUSTMENT | 1 | | | 0.033 | |
| 010 | 1A021-54120 | BOLT ADJUSTING | 1 | | | 0.019 | |
| 020 | 15601-92012 | NUT | 1 | | | 0.013 | |
| 030 | 15601-96650 | GASKET | 2 | | | 0.002 | |
| 040 | 15841-14620 | NUT | 1 | | | 0.022 | |
| 050 | 99999-99999 | PIPE LOCK | 1 | | | 0 | |
| 060 | 1A053-57005 | ASSY PLATE CONTROL | 1 | | | 0.462 | |

SPEED CONTROL PLATE

| Ref | Part Number | Part Name | Qty | IC | S/N | Lbs | Remarks |
|-----|-------------|---------------------|-----|----|-----|-------|---------|
| 070 | 1A021-56020 | COMP.LEVER GOVERNOR | 1 | | | 0.101 | |
| 080 | 1A053-57150 | LEVER SPEED CONTROL | 1 | | | 0.112 | |
| 090 | 16691-57980 | SEAL OIL | 1 | | | 0.002 | |
| 100 | 05411-00420 | PIN SPRING | 1 | | | 0.002 | |
| 105 | 1A021-57390 | BOLT IDLING ADJUST | 2 | | | 0.022 | |
| 106 | 02056-50060 | NUT | 2 | | | 0.004 | |
| 110 | 1A021-57920 | SPRING RETURN | 1 | | | 0.022 | |
| 120 | 1A021-57212 | GASKET PLATE | 1 | | | 0.002 | |
| 130 | 01023-50620 | BOLT | 2 | | | 0.013 | |
| 140 | 15221-88210 | STUD | 2 | | | 0.011 | |
| 150 | 02751-50060 | NUT FLANGE | 2 | | | 0.011 | |

NOZZLE HOLDER AND GLOW PLUG

Figure Num 010206



NOZZLE HOLDER AND GLOW PLUG

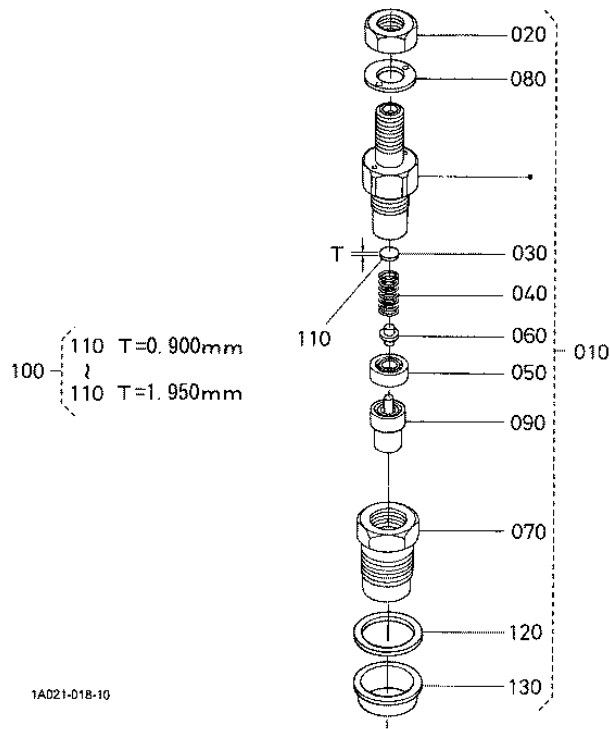
| Ref | Part Number | Part Name | Qty | IC | S/N | Lbs | Remarks |
|-----|-------------|---------------------|-----|----|-----|-------|---------|
| 010 | 16454-42502 | ASSY PIPE OVER FLOW | 1 | | | 0.132 | |
| 020 | 16454-53900 | KIT HOLDER NOZZLE | 4 | | | 0.028 | |
| 030 | 15841-53622 | GASKET | 4 | | | 0.004 | |
| 040 | 19077-53650 | SEAL HEAT | 4 | | | 0.011 | |
| 050 | 19077-53714 | PIPE INJECTION | 1 | | | 0.308 | |
| 060 | 19077-53723 | PIPE INJECTION | 1 | | | 0.308 | |
| 070 | 19077-53733 | PIPE INJECTION | 1 | | | 0.264 | |

NOZZLE HOLDER AND GLOW PLUG

| Ref | Part Number | Part Name | Qty | IC | S/N | Lbs | Remarks |
|-----|-------------|---------------------|-----|----|-----|-------|---------|
| 080 | 19077-53743 | PIPE INJECTION | 1 | | | 0.286 | |
| 090 | 15841-53850 | CLAMP PIPE | 3 | | | 0.017 | |
| 100 | 15841-53860 | CLAMP PIPE | 3 | | | 0.017 | |
| 110 | 03024-50520 | SCREW WITH WASHER | 3 | | | 0.008 | |
| 120 | 19077-65512 | GLOW PLUG | 4 | | | 0.066 | |
| 130 | 1G778-65560 | CORD GLOW PLUG | 1 | | | 0.044 | |
| 140 | 02761-50040 | NUT FLANGE | 4 | | | 0.004 | |
| 150 | 17331-42500 | ASSY PIPE OVER FLOW | 1 | | | 0.044 | |
| 160 | 14971-42750 | CLIP PIPE | 1 | | | 0.002 | |
| 170 | 15271-42710 | CLIP PIPE | 1 | | | 0.002 | |
| 180 | 15241-67580 | CLAMP CORD | 1 | | | 0.008 | |

NOZZLE HOLDER [COMPONENT PARTS]

Figure Num 010207



NOZZLE HOLDER [COMPONENT PARTS]

| Ref | Part Number | Part Name | Qty | IC | S/N | Lbs | Remarks |
|-----|-------------|-------------------|-----|----|-----|-------|---------|
| 010 | 16454-53900 | KIT HOLDER NOZZLE | 4 | | | 0.028 | |
| 020 | 15841-92030 | NUT | 4 | | | 0.011 | |
| 030 | 15841-53230 | WASHER ADJUSTING | 4 | | | 0.002 | 0.900mm |
| 040 | 16475-53170 | SPRING NOZZLE | 4 | | | 0.011 | |
| 050 | 15841-53350 | PIECE DISTANCE | 4 | | | 0.008 | |
| 060 | 15841-53160 | PUSH ROD | 4 | | | 0.002 | |
| 070 | 16475-53280 | NUT NOZZLE | 4 | | | 0.066 | |

NOZZLE HOLDER [COMPONENT PARTS]

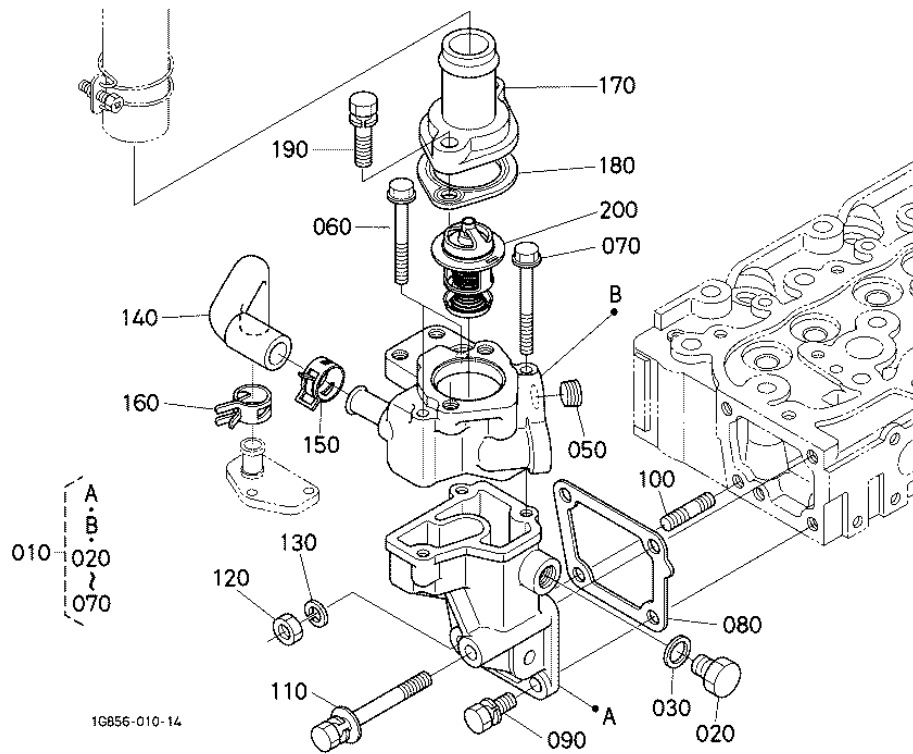
| Ref | Part Number | Part Name | Qty | IC | S/N | Lbs | Remarks |
|-----|-------------|--------------------|-----|----|-----|-------|---------|
| 080 | 15841-94040 | WASHER | 4 | | | 0.002 | |
| 090 | 16454-53610 | PIECE NOZZLE | 4 | | | 0.052 | |
| 100 | 15841-98100 | ASSY WASHER ADJUST | 4 | | | 0.094 | |
| 110 | 15841-98670 | WASHER ADJUSTING | 4 | | | 0.002 | 1.325mm |
| 110 | 15841-98710 | WASHER ADJUSTING | 4 | | | 0.002 | 1.425mm |
| 110 | 15841-98700 | WASHER ADJUSTING | 4 | | | 0.002 | 1.400mm |
| 110 | 15841-98690 | WASHER ADJUSTING | 4 | | | 0.002 | 1.375mm |
| 110 | 15841-98600 | WASHER ADJUSTING | 4 | | | 0.002 | 1.150mm |
| 110 | 15841-98510 | WASHER ADJUSTING | 4 | | | 0.002 | 0.925mm |
| 110 | 15841-98680 | WASHER ADJUSTING | 4 | | | 0.002 | 1.350mm |
| 110 | 15841-98720 | WASHER ADJUSTING | 4 | | | 0.002 | 1.450mm |
| 110 | 15841-98660 | WASHER ADJUSTING | 4 | | | 0.002 | 1.300mm |
| 110 | 15841-98650 | WASHER ADJUSTING | 4 | | | 0.002 | 1.275mm |
| 110 | 15841-98640 | WASHER ADJUSTING | 4 | | | 0.002 | 1.250mm |
| 110 | 15841-98630 | WASHER ADJUSTING | 4 | | | 0.002 | 1.225mm |
| 110 | 15841-98610 | WASHER ADJUSTING | 4 | | | 0.002 | 1.175mm |
| 110 | 15841-98750 | WASHER ADJUSTING | 4 | | | 0.002 | 1.525mm |
| 110 | 15841-98590 | WASHER ADJUSTING | 4 | | | 0.002 | 1.125mm |
| 110 | 15841-53230 | WASHER ADJUSTING | 4 | | | 0.002 | 0.900mm |
| 110 | 15841-98620 | WASHER ADJUSTING | 4 | | | 0.002 | 1.200mm |
| 110 | 15841-98860 | WASHER ADJUSTING | 4 | | | 0.002 | 1.800mm |
| 110 | 15841-98580 | WASHER ADJUSTING | 4 | | | 0.002 | 1.100mm |
| 110 | 15841-98570 | WASHER ADJUSTING | 4 | | | 0.002 | 1.075mm |
| 110 | 15841-98560 | WASHER ADJUSTING | 4 | | | 0.002 | 1.050mm |
| 110 | 15841-98550 | WASHER ADJUSTING | 4 | | | 0.002 | 1.025mm |
| 110 | 15841-98540 | WASHER ADJUSTING | 4 | | | 0.002 | 1.000mm |

NOZZLE HOLDER [COMPONENT PARTS]

| Ref | Part Number | Part Name | Qty | IC | S/N | Lbs | Remarks |
|-----|-------------|------------------|-----|----|-----|-------|---------|
| 110 | 15841-98920 | WASHER ADJUSTING | 4 | | | 0.002 | 1.950mm |
| 110 | 15841-98910 | WASHER ADJUSTING | 4 | | | 0.002 | 1.925mm |
| 110 | 15841-98900 | WASHER ADJUSTING | 4 | | | 0.002 | 1.900mm |
| 110 | 15841-98890 | WASHER ADJUSTING | 4 | | | 0.002 | 1.875mm |
| 110 | 15841-98530 | WASHER ADJUSTING | 4 | | | 0.002 | 0.975mm |
| 110 | 15841-98730 | WASHER ADJUSTING | 4 | | | 0.002 | 1.475mm |
| 110 | 15841-98870 | WASHER ADJUSTING | 4 | | | 0.002 | 1.825mm |
| 110 | 15841-98740 | WASHER ADJUSTING | 4 | | | 0.002 | 1.500mm |
| 110 | 15841-98850 | WASHER ADJUSTING | 4 | | | 0.002 | 1.775mm |
| 110 | 15841-98840 | WASHER ADJUSTING | 4 | | | 0.002 | 1.750mm |
| 110 | 15841-98830 | WASHER ADJUSTING | 4 | | | 0.002 | 1.725mm |
| 110 | 15841-98820 | WASHER ADJUSTING | 4 | | | 0.002 | 1.700mm |
| 110 | 15841-98810 | WASHER ADJUSTING | 4 | | | 0.008 | 1.675mm |
| 110 | 15841-98800 | WASHER ADJUSTING | 4 | | | 0.002 | 1.650mm |
| 110 | 15841-98790 | WASHER ADJUSTING | 4 | | | 0.002 | 1.625mm |
| 110 | 15841-98520 | WASHER ADJUSTING | 4 | | | 0.002 | 0.950mm |
| 110 | 15841-98780 | WASHER ADJUSTING | 4 | | | 0.004 | 1.600mm |
| 110 | 15841-98770 | WASHER ADJUSTING | 4 | | | 0.002 | 1.575mm |
| 110 | 15841-98760 | WASHER ADJUSTING | 4 | | | 0.002 | 1.550mm |
| 110 | 15841-98880 | WASHER ADJUSTING | 4 | | | 0.002 | 1.850mm |
| 120 | 15841-53622 | GASKET | 4 | | | 0.004 | |
| 130 | 19077-53650 | SEAL HEAT | 4 | | | 0.011 | |

WATER FLANGE AND THERMOSTAT

Figure Num 010500



WATER FLANGE AND THERMOSTAT

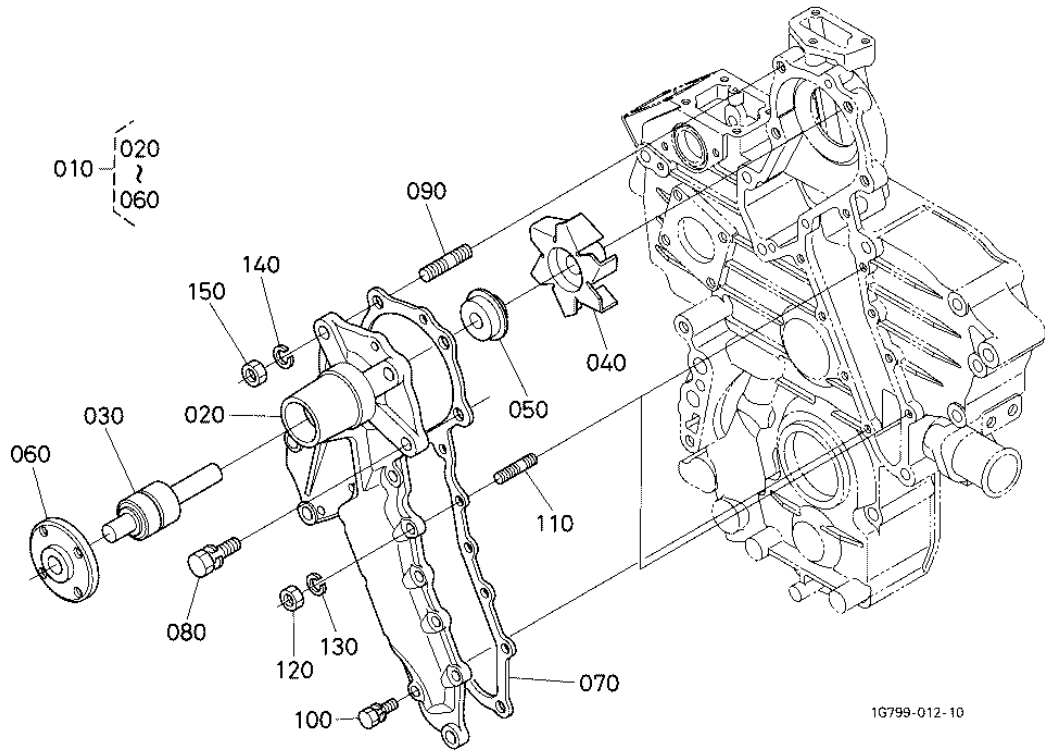
| Ref | Part Number | Part Name | Qty | IC | S/N | Lbs | Remarks |
|-----|-------------|---------------------|-----|----|-----|-------|---------|
| 010 | 1A033-72704 | COMP.FLANGE WATER | 1 | | | 1.661 | |
| 020 | 15109-33630 | PLUG DRAIN | 1 | | | 0.055 | |
| 030 | 15109-33660 | GASKET | 1 | | | 0.002 | |
| 050 | 1A021-96020 | PLUG | 1 | | | 0.033 | |
| 060 | 01754-50660 | BOLT FLANGE | 2 | | | 0.044 | |
| 070 | 01754-50665 | BOLT FLANGE | 1 | | | 0.022 | |
| 080 | 1A021-72920 | GASKET WATER FLANGE | 1 | | | 0.004 | |

WATER FLANGE AND THERMOSTAT

| Ref | Part Number | Part Name | Qty | IC | S/N | Lbs | Remarks |
|-----|-------------|-------------------|-----|----|-----|-------|---------|
| 090 | 01123-50820 | BOLT | 2 | | | 0.024 | |
| 100 | 15221-91530 | STUD | 1 | | | 0.024 | |
| 110 | 1A021-91020 | BOLT | 1 | | | 0.070 | |
| 120 | 02156-50080 | NUT | 1 | | | 0.008 | |
| 130 | 04512-60080 | WASHER SPRING | 1 | | | 0.004 | |
| 140 | 1A021-73340 | PIPE WATER RETURN | 1 | | | 0.070 | |
| 150 | 1A021-11720 | CLAMP HOSE | 1 | | | 0.022 | |
| 160 | 09318-88180 | CLAMP HOSE | 1 | | | 0.022 | |
| 170 | 15321-73260 | COVER THERMOSTAT | 1 | | | 0.235 | |
| 180 | 16221-73270 | GASKET THERMOSTAT | 1 | | | 0.002 | |
| 190 | 01123-50835 | BOLT | 2 | | | 0.044 | |
| 200 | 1A021-73012 | ASSY THERMOSTAT | 1 | | | 0.173 | |

WATER PUMP

Figure Num 010501



WATER PUMP

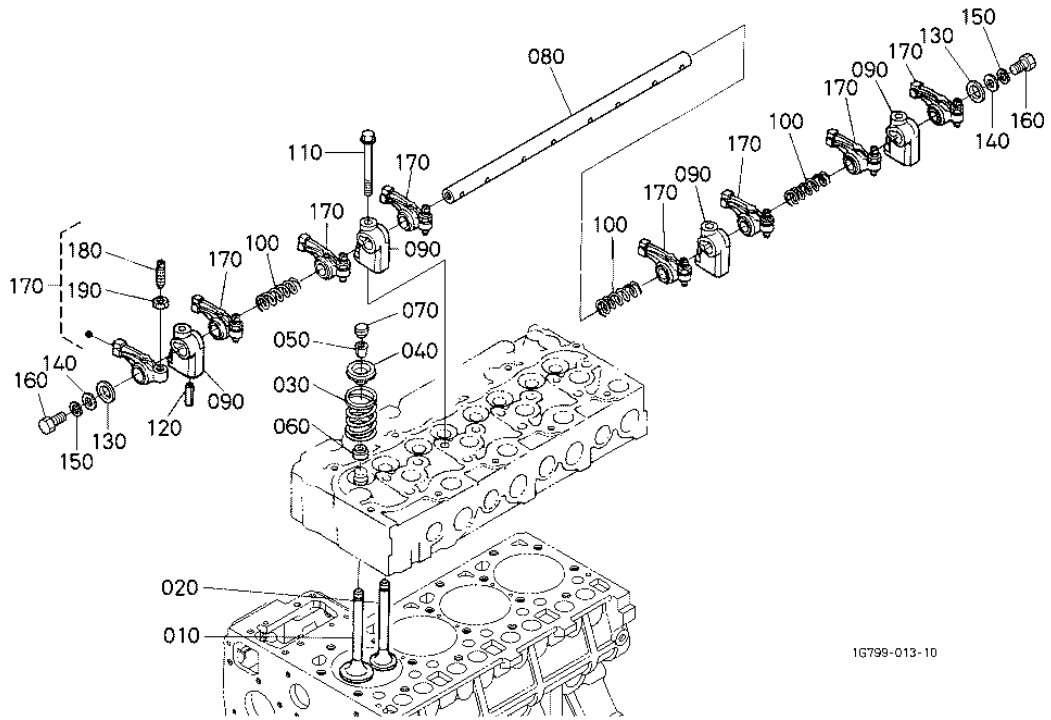
| Ref | Part Number | Part Name | Qty | IC | S/N | Lbs | Remarks |
|-----|-------------|----------------------|-----|----|-----|-------|---------|
| 010 | 1A021-73030 | ASSY PUMP WATER | 1 | | | 2.2 | |
| 020 | 17331-73410 | BODY WATER PUMP | 1 | | | 1.122 | |
| 030 | 15521-73550 | BEARING | 1 | | | 0.517 | |
| 040 | 1A021-73510 | IMPELLER WATER PUMP | 1 | | | 0.143 | |
| 050 | 16661-73050 | ASSY SEAL MECHANICAL | 1 | | | 0.055 | |
| 060 | 1A021-73520 | FLANGE W/PUMP SHAFT | 1 | | | 0.407 | |
| 070 | 1A021-73430 | GASKET WATER PUMP | 1 | | | 0.015 | |

WATER PUMP

| Ref | Part Number | Part Name | Qty | IC | S/N | Lbs | Remarks |
|-----|-------------|---------------|-----|----|-----|-------|---------|
| 080 | 01123-50828 | BOLT | 3 | | | 0.030 | |
| 090 | 01518-50822 | STUD | 1 | | | 0.026 | |
| 100 | 01023-50618 | BOLT | 8 | | | 0.013 | |
| 110 | 15221-88210 | STUD | 1 | | | 0.011 | |
| 120 | 02056-50060 | NUT | 1 | | | 0.004 | |
| 130 | 04512-60080 | WASHER SPRING | 1 | | | 0.004 | |
| 140 | 04512-60060 | WASHER SPRING | 1 | | | 0.002 | |
| 150 | 02156-50080 | NUT | 1 | | | 0.008 | |

VALVE AND ROCKER ARM

Figure Num 010600



VALVE AND ROCKER ARM

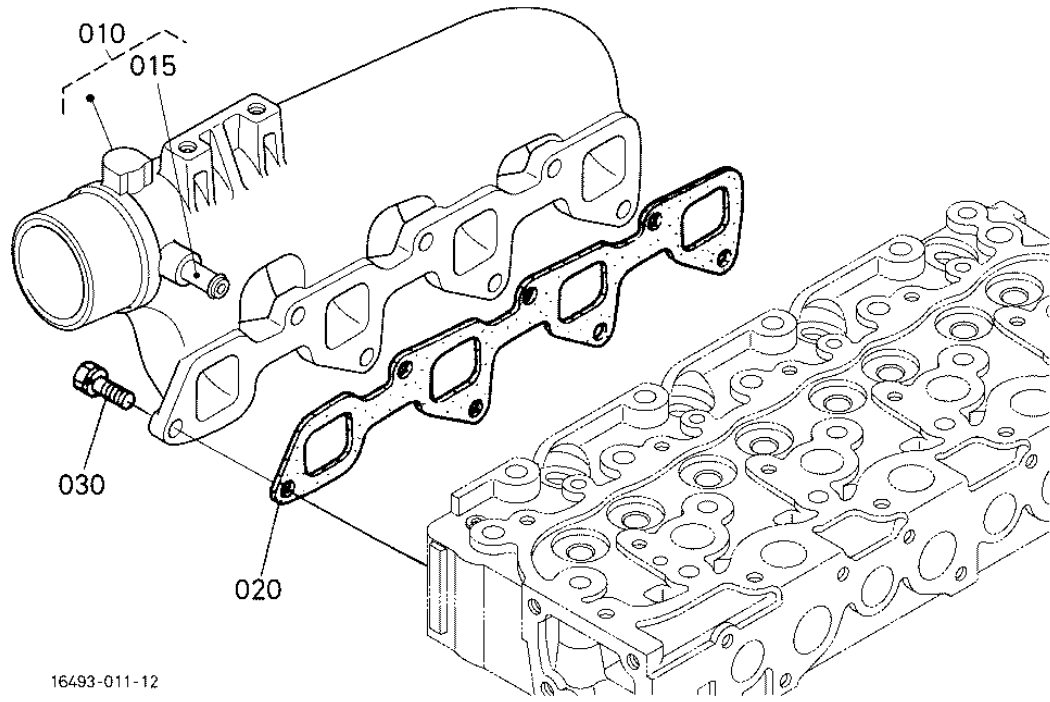
| Ref | Part Number | Part Name | Qty | IC | S/N | Lbs | Remarks |
|-----|-------------|---------------------|-----|----|-----|-------|---------|
| 010 | 1G896-13110 | VALVE INLET | 4 | | | 0.143 | |
| 020 | 1G896-13120 | VALVE EXHAUST | 4 | | | 0.132 | |
| 030 | 15221-13240 | SPRING VALVE | 8 | | | 0.079 | |
| 040 | 15221-13330 | RETAINER VALVE SP. | 8 | | | 0.066 | |
| 050 | 15221-13980 | COLLET VALVE SPRING | 8 | | | 0.004 | SET |
| 060 | 15221-13153 | SEAL VALVE STEM | 8 | | | 0.002 | |
| 070 | 15221-13280 | CAP VALVE | 8 | | | 0.013 | |

VALVE AND ROCKER ARM

| Ref | Part Number | Part Name | Qty | IC | S/N | Lbs | Remarks |
|-----|-------------|--------------------|-----|----|-----|-------|---------|
| 080 | 1A091-14260 | SHAFT ROCKER ARM | 1 | | | 0.688 | |
| 090 | 15221-14353 | BRACKET ROCKER ARM | 4 | | | 0.096 | |
| 100 | 15221-14310 | SPRING ROCKER ARM | 3 | | | 0.011 | |
| 110 | 01754-50855 | BOLT FLANGE | 4 | | | 0.044 | |
| 120 | 05411-00528 | PIN SPRING | 1 | | | 0.006 | |
| 130 | 15221-14430 | WASHER R-ARM.SHAFT | 2 | | | 0.004 | |
| 140 | 04013-60080 | WASHER PLAIN | 2 | | | 0.004 | |
| 150 | 04512-60080 | WASHER SPRING | 2 | | | 0.004 | |
| 160 | 01153-50812 | BOLT | 2 | | | 0.017 | |
| 170 | 15621-14030 | ASSY ROCKER ARM | 8 | | | 0.22 | |
| 180 | 15521-14230 | SCREW ADJUSTING | 8 | | | 0.019 | |
| 190 | 15021-14240 | NUT | 8 | | | 0.006 | |

INLET MANIFOLD

Figure Num 010601



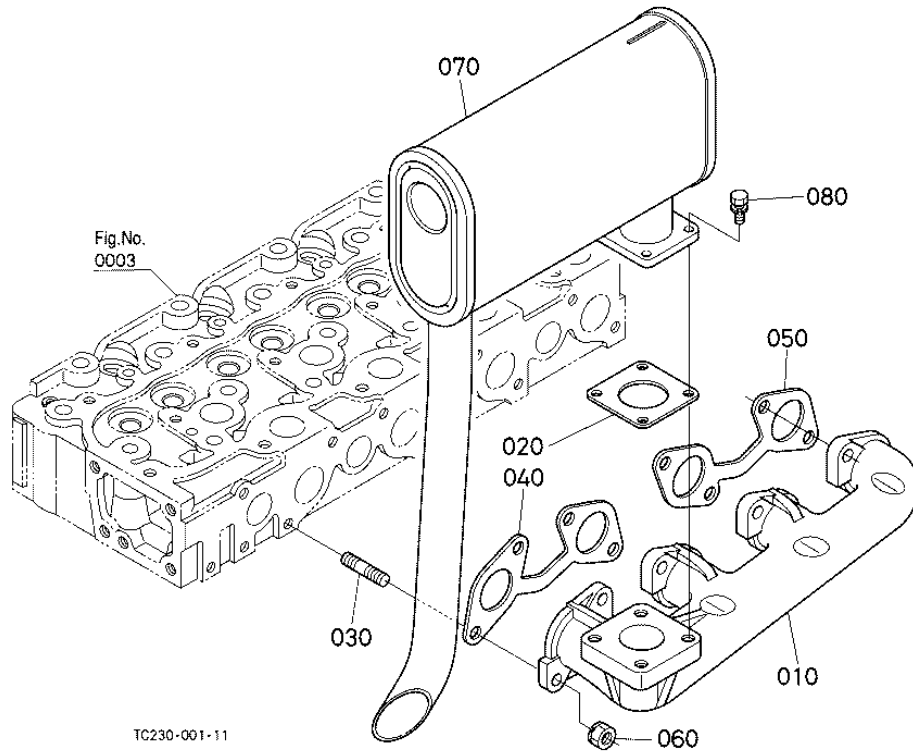
16493-011-12

INLET MANIFOLD

| Ref | Part Number | Part Name | Qty | IC | S/N | Lbs | Remarks |
|-----|-------------|---------------------|-----|----|-----|-------|---------|
| 010 | 1G780-11772 | ASSY MANIFOLD INLET | 1 | | | 2.53 | |
| 015 | 17331-73342 | PIPE WATER RETURN | 1 | | | 0.022 | |
| 020 | 1A091-11822 | GASKET IN-MANIFOLD | 1 | | | 0.015 | |
| 030 | 01123-50822 | BOLT | 7 | | | 0.026 | |

EXHAUST MANIFOLD/MUFFLER

Figure Num 010603



EXHAUST MANIFOLD/MUFFLER

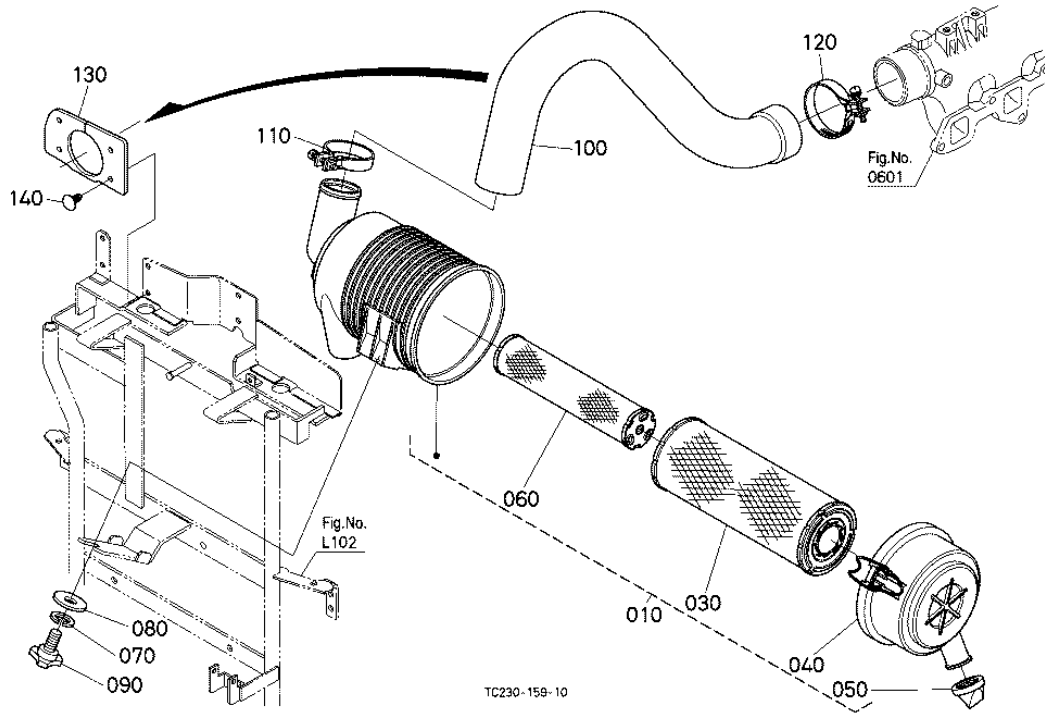
| Ref | Part Number | Part Name | Qty | IC | S/N | Lbs | Remarks |
|-----|-------------|--------------------|-----|----|-----|-------|---------|
| 010 | 1G896-12310 | MANIFOLD EXHAUST | 1 | | | 0 | |
| 020 | T0070-16420 | GASKET MUFFLER | 1 | | | 0.035 | |
| 030 | 15221-91530 | STUD | 8 | | | 0.024 | |
| 040 | 1A091-12350 | GASKET EX-MANIFOLD | 1 | | | 0.044 | |
| 050 | 1A091-12360 | GASKET EX-MANIFOLD | 1 | | | 0.044 | |
| 060 | 16429-92010 | NUT | 8 | | | 0.015 | |
| 070 | TC220-16410 | MUFFLER | 1 | | | 13.86 | |

EXHAUST MANIFOLD/MUFFLER

| Ref | Part Number | Part Name | Qty | IC | S/N | Lbs | Remarks |
|-----|-------------|-----------|-----|----|-----|-------|---------|
| 080 | 01128-50825 | BOLT | 4 | | | 0.033 | |

AIR CLEANER

Figure Num 010604



AIR CLEANER

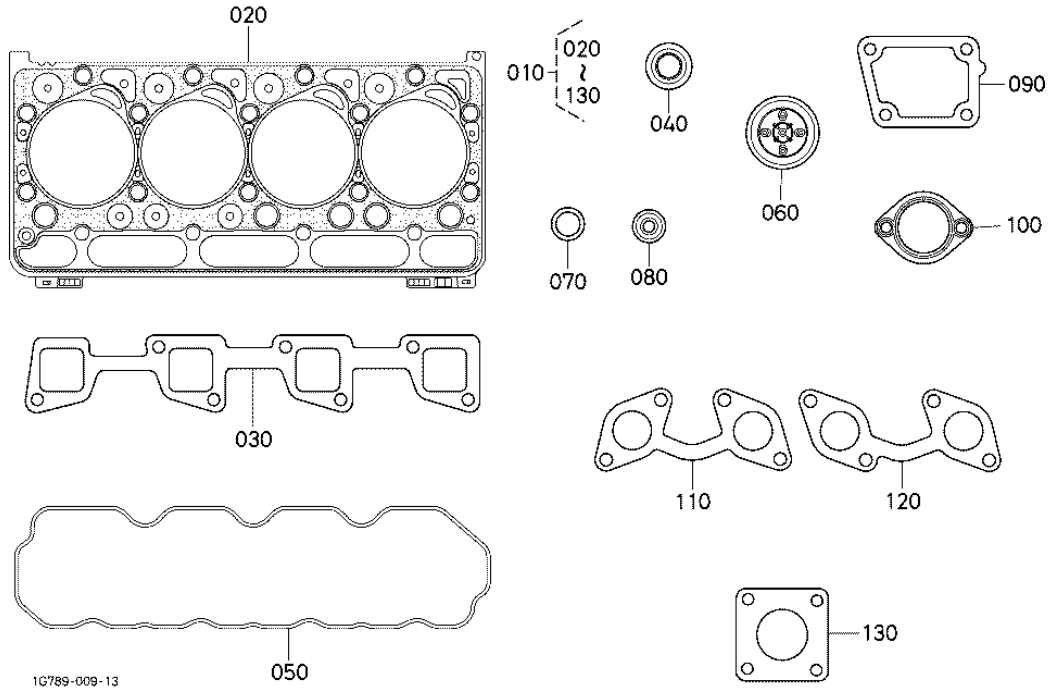
| Ref | Part Number | Part Name | Qty | IC | S/N | Lbs | Remarks |
|-----|-------------|--------------------|-----|----|-----|-------|---------|
| 010 | TC230-16300 | ASSY CLEANER AIR | 1 | | | 3.146 | |
| 030 | TA040-93230 | ASSY ELEMENT OUTER | 1 | | | 1.232 | |
| 040 | TA140-93240 | ASSY COVER A/C | 1 | | | 0.671 | |
| 050 | TA040-93250 | VALVE EVACUATOR | 1 | | | 0.024 | |
| 060 | TA040-93220 | ASSY ELEMENT INNER | 1 | | | 0.429 | |
| 070 | 04512-60080 | WASHER SPRING | 1 | | | 0.004 | |
| 080 | 04015-60080 | WASHER PLAIN | 1 | | | 0.022 | |

AIR CLEANER

| Ref | Part Number | Part Name | Qty | IC | S/N | Lbs | Remarks |
|-----|-------------|------------|-----|----|-----|-------|---------|
| 090 | 01820-50820 | BOLT KNOB | 1 | | | 0.063 | |
| 100 | TC230-16330 | HOSE | 1 | | | 1.793 | |
| 110 | T0270-35560 | CLAMP HOSE | 1 | | | 0.077 | |
| 120 | 31351-18110 | BAND PIPE | 1 | | | 0.088 | |
| 130 | TC232-16390 | SHIELD | 1 | | | 0.121 | |
| 140 | T2050-41490 | FASTENER | 4 | | | 0.002 | |

UPPER GASKET KIT

Figure Num 010901



UPPER GASKET KIT

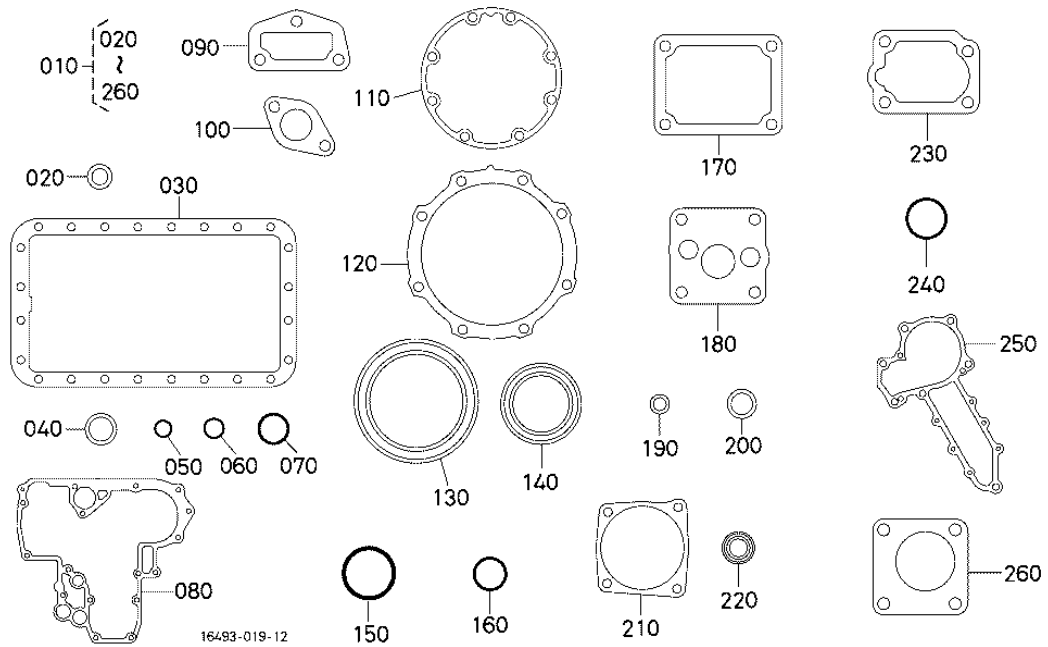
| Ref | Part Number | Part Name | Qty | IC | S/N | Lbs | Remarks |
|-----|-------------|----------------------|-----|----|-----|-------|---------|
| 010 | 1G789-99355 | KIT GASKET UPPER | 1 | | | 0.88 | |
| 020 | 1G790-03312 | GASKET CYLINDER HEAD | 1 | | | 0.638 | 1.20mm |
| 030 | 1A091-11822 | GASKET IN-MANIFOLD | 1 | | | 0.015 | |
| 040 | 15221-13153 | SEAL VALVE STEM | 8 | | | 0.002 | |
| 050 | 1G911-14523 | GASKET HEAD COVER | 1 | | | 0.055 | |
| 060 | 1G911-05203 | COMP.VALVE BREATHER | 1 | | | 0.022 | |
| 070 | 15841-53622 | GASKET | 4 | | | 0.004 | |

UPPER GASKET KIT

| Ref | Part Number | Part Name | Qty | IC | S/N | Lbs | Remarks |
|-----|-------------|---------------------|-----|----|-----|-------|---------|
| 080 | 19077-53650 | SEAL HEAT | 4 | | | 0.011 | |
| 090 | 1A021-72920 | GASKET WATER FLANGE | 1 | | | 0.004 | |
| 100 | 16221-73270 | GASKET THERMOSTAT | 1 | | | 0.002 | |
| 110 | 1A091-12350 | GASKET EX-MANIFOLD | 1 | | | 0.044 | |
| 120 | 1A091-12360 | GASKET EX-MANIFOLD | 1 | | | 0.044 | |
| 130 | T0070-16420 | GASKET MUFFLER | 1 | | | 0.035 | |

LOWER GASKET KIT

Figure Num 010902



LOWER GASKET KIT

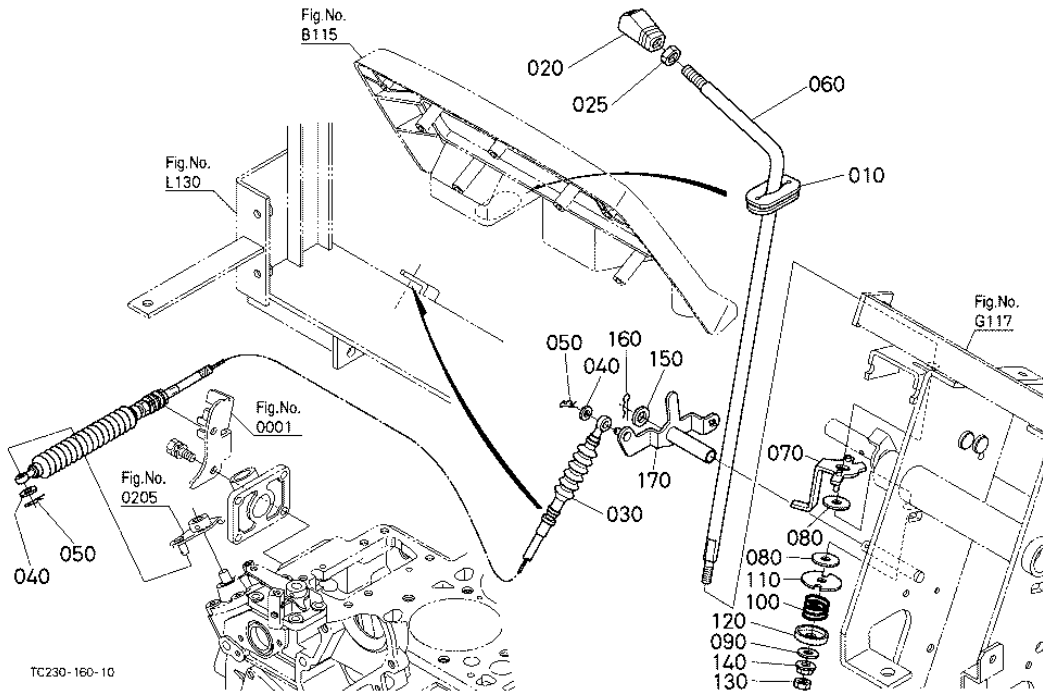
| Ref | Part Number | Part Name | Qty | IC | S/N | Lbs | Remarks |
|-----|-------------|------------------|-----|----|-----|-------|------------|
| 010 | 1G799-99364 | KIT GASKET LOWER | 1 | | | 0.374 | |
| 020 | 15021-33660 | GASKET | 1 | | | 0.002 | |
| 030 | 1A091-01620 | GASKET OIL PAN | 1 | | | 0.039 | |
| 040 | 6C090-58960 | GASKET | 2 | | | 0.004 | |
| 050 | 04814-00150 | O RING | 1 | | | 0.002 | OUT OF USE |
| 060 | 04814-00220 | O RING | 2 | | | 0.002 | OUT OF USE |
| 070 | 04814-00360 | O RING | 1 | | | 0.002 | OUT OF USE |

LOWER GASKET KIT

| Ref | Part Number | Part Name | Qty | IC | S/N | Lbs | Remarks |
|-----|-------------|----------------------|-----|----|-----|-------|------------|
| 080 | 1A021-04130 | GASKET GEAR CASE | 1 | | | 0.041 | |
| 090 | 1A021-73332 | GASKET RETURN FLANGE | 1 | | | 0.004 | |
| 100 | 1A053-72840 | GASKET WATER FLANGE | 1 | | | 0.002 | OUT OF USE |
| 110 | 1A091-04362 | GASKET BEARING CASE | 1 | | | 0.011 | |
| 120 | 1A091-04820 | GASKET CASE COVER | 1 | | | 0.013 | |
| 130 | 19202-04460 | SEAL OIL | 1 | | | 0.121 | |
| 140 | 19202-04140 | SEAL OIL | 1 | | | 0.033 | |
| 150 | 19202-96760 | O RING | 1 | | | 0.002 | OUT OF USE |
| 160 | 04814-00160 | O RING | 1 | | | 0.002 | OUT OF USE |
| 170 | 1A021-51660 | GASKET PUMP COVER | 1 | | | 0.006 | |
| 180 | 1A021-35150 | GASKET OIL PUMP | 1 | | | 0.002 | |
| 190 | 15601-96650 | GASKET | 1 | | | 0.002 | |
| 200 | 15401-96650 | GASKET | 2 | | | 0.002 | |
| 210 | 1G492-16220 | GASKET | 1 | | | 0.008 | OUT OF USE |
| 220 | 16691-57980 | SEAL OIL | 2 | | | 0.002 | |
| 230 | 1A021-57212 | GASKET PLATE | 2 | | | 0.002 | |
| 240 | 04814-06310 | O RING | 1 | | | 0.004 | |
| 250 | 1A021-73430 | GASKET WATER PUMP | 1 | | | 0.015 | |
| 260 | 1G751-88130 | GASKET HOUR METER | 1 | | | 0.002 | |

ACCELERATOR LEVER

Figure Num 01A010



TC230-160-10

ACCELERATOR LEVER

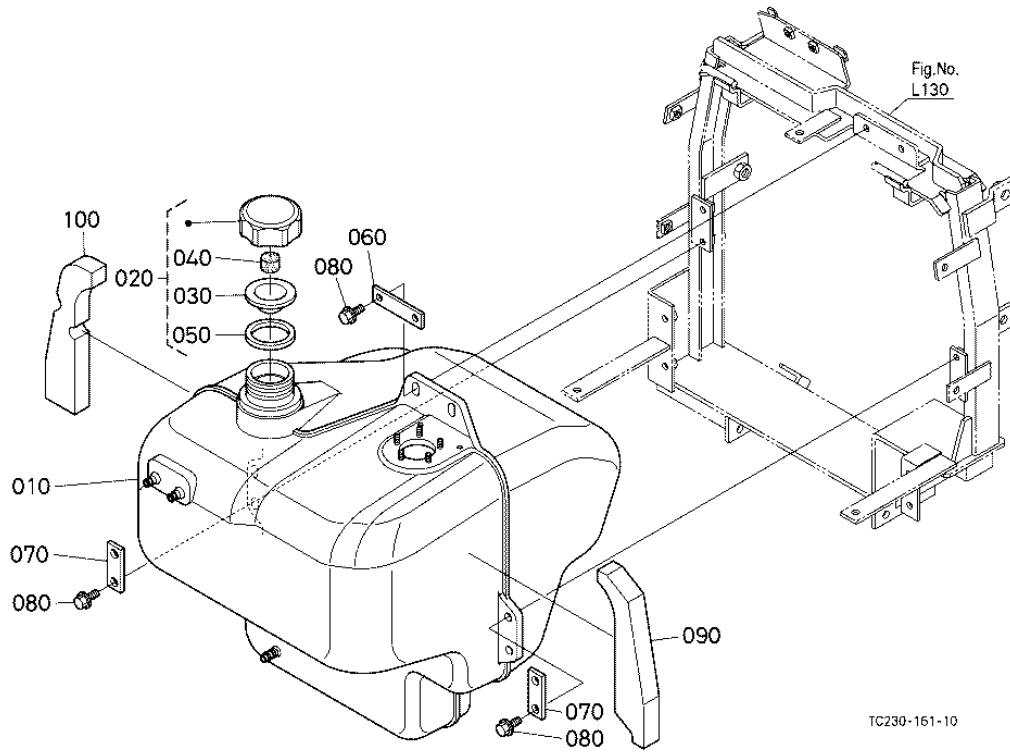
| Ref | Part Number | Part Name | Qty | IC | S/N | Lbs | Remarks |
|-----|-------------|---------------------|-----|----|-----|-------|---------|
| 010 | TC020-43155 | GROMMET HAND ACCEL. | 1 | | | 0.015 | |
| 020 | 3F740-10680 | GRIP LEVER | 1 | | | 0.057 | |
| 025 | 30400-15210 | NUT | 1 | | | 0.011 | |
| 030 | TC230-42900 | ASSY CABLE.ACCEL | 1 | | | 0.264 | |
| 040 | 04013-60060 | WASHER PLAIN | 2 | | | 0.002 | |
| 050 | 05525-60600 | PIN SNAP | 2 | | | 0.002 | |
| 060 | TC220-17120 | LEVER HAND ACCEL. | 1 | | | 0.924 | |

ACCELERATOR LEVER

| Ref | Part Number | Part Name | Qty | IC | S/N | Lbs | Remarks |
|-----|-------------|--------------------|-----|----|-----|-------|---------|
| 070 | TC050-44720 | LEVER ACCEL.ARM | 1 | | | 0.154 | |
| 080 | TD060-42870 | PLATE ACCEL | 2 | | | 0.022 | |
| 090 | 04015-60080 | WASHER PLAIN | 1 | | | 0.022 | |
| 100 | 33251-10320 | SPRING ACCEL.LEVER | 1 | | | 0.026 | |
| 110 | T1060-42840 | WASHER | 1 | | | 0.044 | |
| 120 | TC050-10270 | CAP SPRING | 1 | | | 0.050 | |
| 130 | 02114-50080 | NUT | 1 | | | 0.011 | |
| 140 | 02751-50080 | NUT FLANGE | 1 | | | 0.013 | |
| 150 | 04013-60100 | WASHER PLAIN | 1 | | | 0.006 | |
| 160 | 05515-61000 | PIN SNAP | 1 | | | 0.004 | |
| 170 | TC230-17322 | LINK ACCEL. | 1 | | | 0.198 | |

FUEL TANK

Figure Num 01A101



FUEL TANK

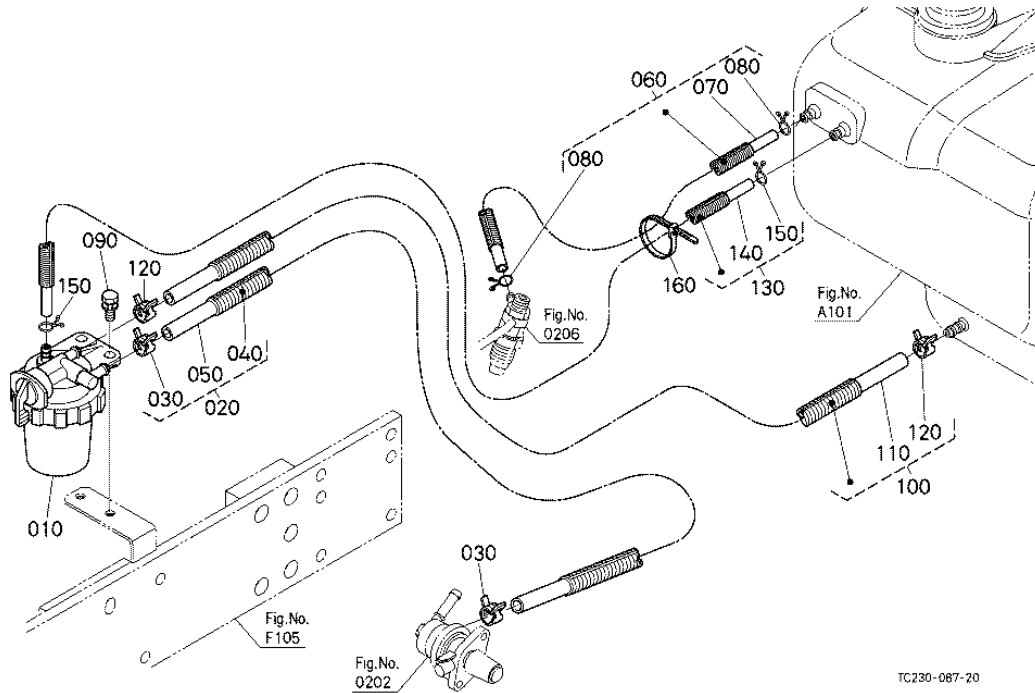
| Ref | Part Number | Part Name | Qty | IC | S/N | Lbs | Remarks |
|-----|-------------|--------------------|-----|----|-----|-------|---------|
| 010 | TC230-42013 | TANK FUEL | 1 | | | 11.44 | |
| 020 | T1060-42020 | ASSY CAP FUEL TANK | 1 | | | 0.092 | |
| 030 | 34150-35230 | GASKET | 1 | | | 0.022 | |
| 040 | 34150-35240 | SPONGE | 1 | | | 0.002 | |
| 050 | T1060-42090 | GASKET | 1 | | | 0.004 | |
| 060 | TC230-42120 | PLATE FUEL TANK | 1 | | | 0.088 | |
| 070 | T1060-42080 | PLATE FUEL TANK | 2 | | | 0.072 | |

FUEL TANK

| Ref | Part Number | Part Name | Qty | IC | S/N | Lbs | Remarks |
|-----|-------------|-------------------|-----|----|-----|-------|---------|
| 080 | 01123-50825 | BOLT | 6 | | | 0.028 | |
| 090 | TC230-42183 | SPONGE | 1 | | | 0.077 | |
| 100 | TC220-42190 | SPONGE SHUTTER RH | 1 | | | 0.077 | |

FUEL PIPE AND FUEL FILTER

Figure Num 01A110



FUEL PIPE AND FUEL FILTER

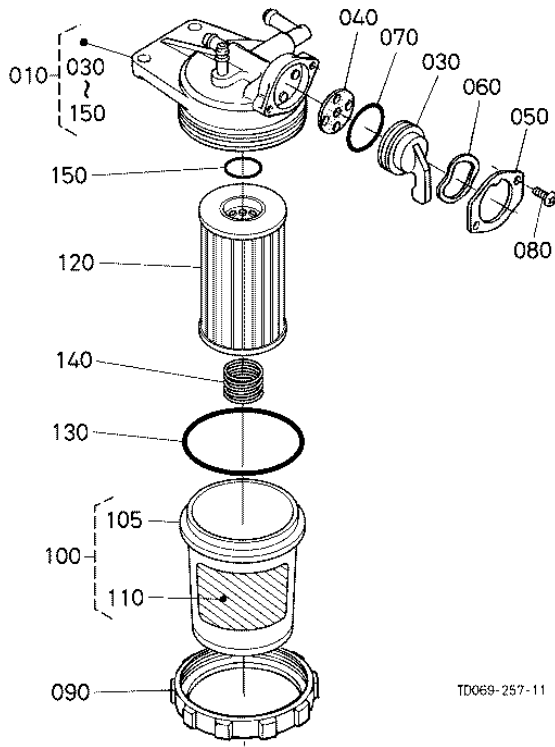
| Ref | Part Number | Part Name | Qty | IC | S/N | Lbs | Remarks |
|-----|-------------|------------------|-----|----|-----|-------|---------|
| 010 | 1A001-43010 | ASSY FILTER FUEL | 1 | | | 1.144 | |
| 020 | 34530-42620 | ASSY TUBE FUEL | 1 | | | 0.121 | |
| 030 | 09318-88125 | CLAMP HOSE | 2 | | | 0.002 | |
| 040 | 34530-42670 | TUBE PIPE | 1 | | | 0.022 | |
| 050 | 09661-80300 | TUBE FUEL | 1 | | | 0.088 | |
| 060 | 32751-42630 | ASSY TUBE FUEL | 1 | | | 0.099 | |
| 070 | 09661-40500 | TUBE FUEL | 1 | | | 0.066 | |

FUEL PIPE AND FUEL FILTER

| Ref | Part Number | Part Name | Qty | IC | S/N | Lbs | Remarks |
|-----|-------------|----------------|-----|----|-----|-------|---------|
| 080 | 14971-42750 | CLIP PIPE | 2 | | | 0.002 | |
| 090 | 01123-50825 | BOLT | 1 | | | 0.028 | |
| 100 | TA470-42610 | ASSY TUBE FUEL | 1 | | | 0.176 | |
| 110 | 37410-88230 | PIPE FUEL | 1 | | | 0.158 | |
| 120 | 09318-88125 | CLAMP HOSE | 2 | | | 0.002 | |
| 130 | T1060-42640 | ASSY TUBE FUEL | 1 | | | 0.118 | |
| 140 | 09661-40750 | TUBE FUEL | 1 | | | 0.088 | |
| 150 | 14971-42750 | CLIP PIPE | 2 | | | 0.002 | |
| 160 | 44366-68380 | BAND CORD | 1 | | | 0.022 | |

FUEL FILTER [COMPONENT PARTS]

Figure Num 01A130



FUEL FILTER [COMPONENT PARTS]

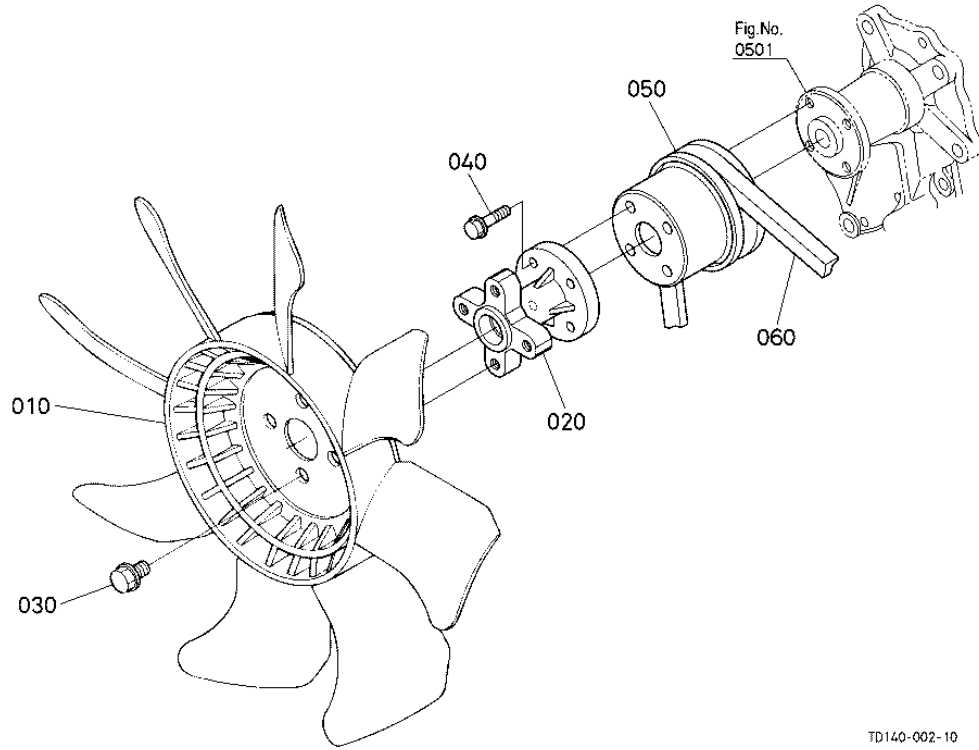
| Ref | Part Number | Part Name | Qty | IC | S/N | Lbs | Remarks |
|-----|-------------|------------------|-----|----|-----|-------|---------|
| 010 | 1A001-43010 | ASSY FILTER FUEL | 1 | | | 1.144 | |
| 030 | 1A001-43520 | HANDLE FILTER | 1 | | | 0.088 | |
| 040 | 1A001-43670 | GASKET | 1 | | | 0 | |
| 050 | 1A001-43550 | RETAINER HANDLE | 1 | | | 0.022 | |
| 060 | 1A001-43540 | PLATE THRUST | 1 | | | 0.002 | |
| 070 | 04811-10290 | O RING | 1 | | | 0.002 | |
| 080 | 03054-50308 | SCREW PAN-HEAD | 2 | | | 0.011 | |

FUEL FILTER [COMPONENT PARTS]

| Ref | Part Number | Part Name | Qty | IC | S/N | Lbs | Remarks |
|-----|-------------|-----------------|-----|----|-----|-------|---------|
| 090 | 1A001-43150 | RING RETAINER | 1 | | | 0.286 | |
| 100 | 1A001-43100 | ASSY CUP FILTER | 1 | | | 0.125 | |
| 105 | 1A001-43130 | CUP FILTER | 1 | | | 0.132 | |
| 110 | 1A001-88430 | LABEL FUEL | 1 | | | 0.002 | |
| 120 | 1A001-43160 | ELEMENT FILTER | 1 | | | 0.165 | |
| 130 | 04811-50650 | O RING | 1 | | | 0.004 | |
| 140 | 1A001-43930 | SPRING | 1 | | | 0.006 | |
| 150 | 04816-00160 | O RING | 1 | | | 0.006 | |

FAN

Figure Num 01A401



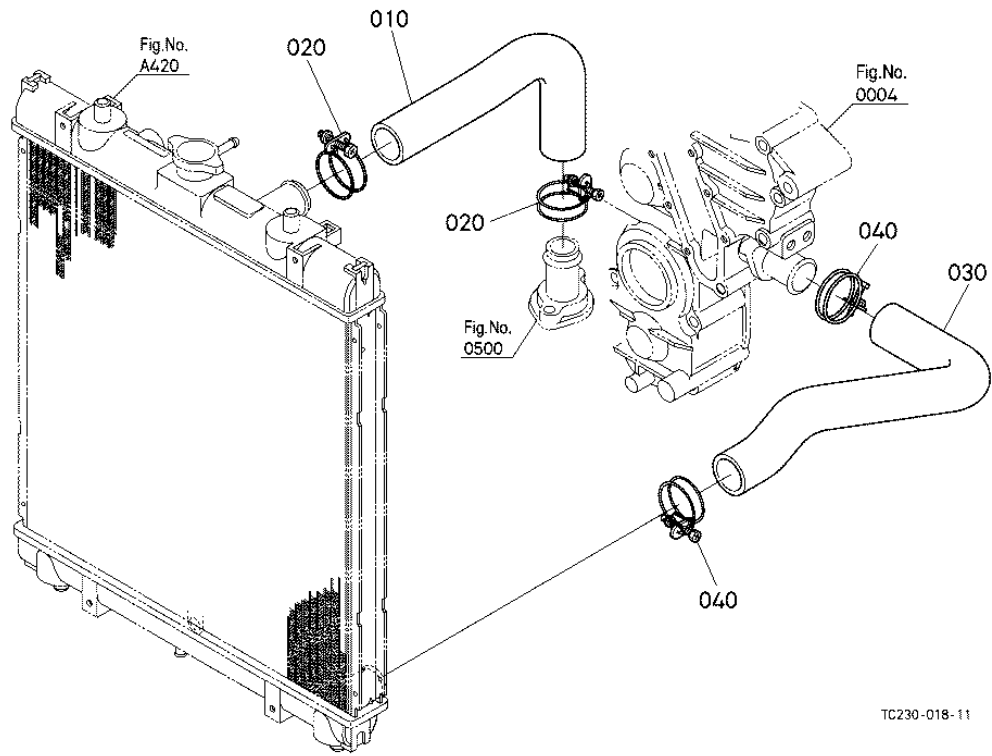
TD140-002-10

FAN

| Ref | Part Number | Part Name | Qty | IC | S/N | Lbs | Remarks |
|-----|-------------|-------------|-----|----|-----|-------|---------|
| 010 | 34550-16210 | FAN | 1 | | | 2.618 | |
| 020 | TD170-16220 | FLANGE FAN | 1 | | | 0.457 | |
| 030 | 01754-50816 | BOLT FLANGE | 4 | | | 0.024 | |
| 040 | 01754-50625 | BOLT FLANGE | 4 | | | 0.017 | |
| 050 | 17351-74250 | PULLEY FAN | 1 | | | 0.572 | |
| 060 | 15471-97010 | V BELT | 1 | | | 0.264 | |

WATER PIPE

Figure Num 01A410



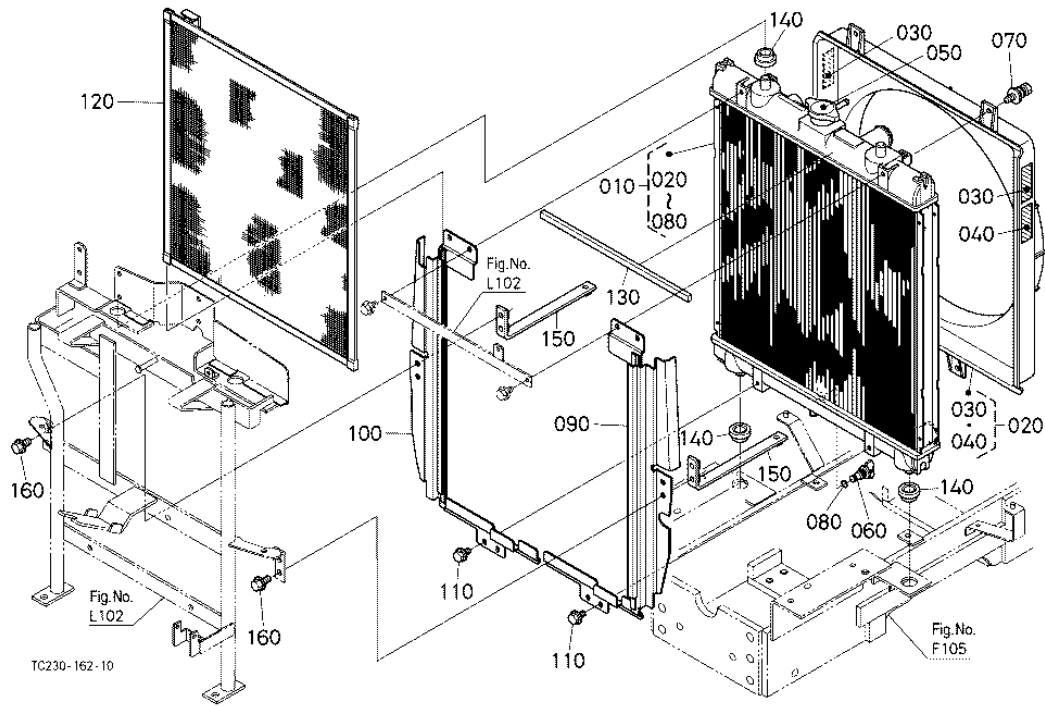
TC230-018-11

WATER PIPE

| Ref | Part Number | Part Name | Qty | IC | S/N | Lbs | Remarks |
|-----|-------------|---------------------|-----|----|-----|-------|---------|
| 010 | TC230-16120 | HOSE RADIATOR UPPER | 1 | | | 0.572 | |
| 020 | 15108-72870 | BAND | 2 | | | 0.059 | |
| 030 | TC230-16140 | HOSE RADIATOR LOWER | 1 | | | 0.572 | |
| 040 | 15108-72870 | BAND | 2 | | | 0.059 | |

RADIATOR

Figure Num 01A420



RADIATOR

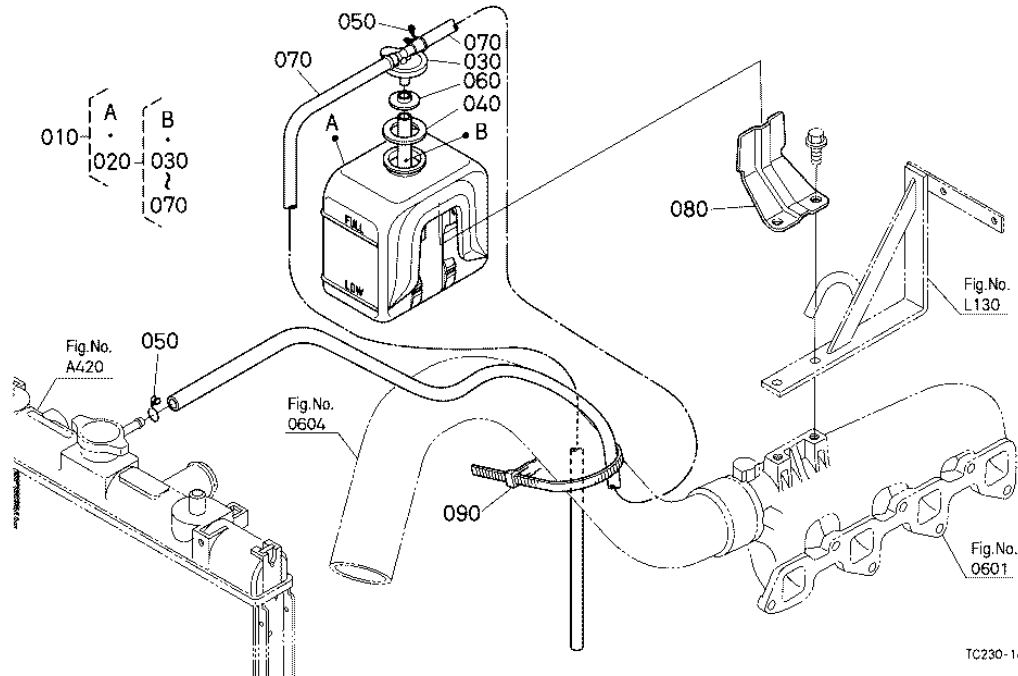
| Ref | Part Number | Part Name | Qty | IC | S/N | Lbs | Remarks |
|-----|-------------|-------------------|-----|----|-----|-------|---------|
| 010 | TC230-99600 | ASSY RADIATOR | 1 | | | 10.34 | |
| 020 | TC230-99620 | KIT SHUROUD FAN | 1 | | | 2.09 | |
| 030 | 6C090-49580 | LABEL FAN WARNING | 2 | | | 0.002 | |
| 040 | TC030-49580 | LABEL MUFFLER | 1 | | | 0.002 | |
| 050 | 17580-16060 | CAP RADIATOR | 1 | | | 0.088 | |
| 060 | 34070-16070 | PLUG DRAIN | 1 | | | 0.011 | |
| 070 | 01029-50616 | BOLT | 4 | | | 0.022 | |

RADIATOR

| Ref | Part Number | Part Name | Qty | IC | S/N | Lbs | Remarks |
|-----|-------------|-------------------|-----|----|-----|-------|---------|
| 080 | 34070-16090 | O RING | 1 | | | 0.002 | |
| 090 | TC230-16040 | GUIDE RADIATOR LH | 1 | | | 1.078 | |
| 100 | TC230-16050 | GUIDE RADIATOR RH | 1 | | | 0 | |
| 110 | 01754-50612 | BOLT FLANGE | 2 | | | 0.011 | |
| 120 | TC230-16240 | NET RADIATOR | 1 | | | 0.88 | |
| 130 | T1060-40660 | SPONGE | 1 | | | 0.011 | |
| 140 | 34070-16030 | RUBBER | 4 | | | 0.033 | |
| 150 | TC230-41400 | STAY COVER | 2 | | | 0.374 | |
| 160 | 01754-50816 | BOLT FLANGE | 4 | | | 0.024 | |

RESERVE TANK

Figure Num 01A430



TC230-143-10

RESERVE TANK

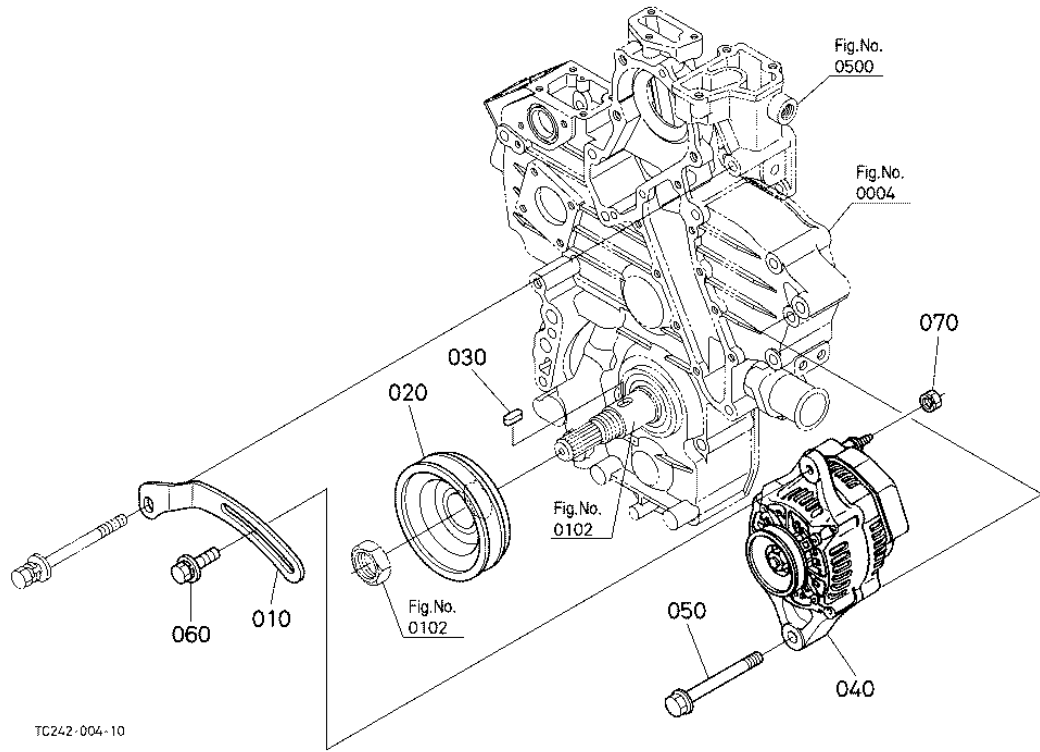
| Ref | Part Number | Part Name | Qty | IC | S/N | Lbs | Remarks |
|-----|-------------|-------------------|-----|----|-----|-------|---------|
| 010 | T1150-16700 | ASSY TANK RESERVE | 1 | | | 0.902 | |
| 020 | T1150-17290 | ASSY CAP | 1 | | | 0.407 | |
| 030 | 15531-72422 | CAP | 1 | | | 0.002 | |
| 040 | 15531-72432 | GASKET | 1 | | | 0.004 | |
| 050 | 15501-72470 | CLIP PIPE | 2 | | | 0.011 | |
| 060 | 3G704-17390 | PLATE | 1 | | | 0.002 | |
| 070 | 3G700-17320 | HOSE | 2 | | | 0.176 | |

RESERVE TANK

| Ref | Part Number | Part Name | Qty | IC | S/N | Lbs | Remarks |
|-----|-------------|-------------------|-----|----|-----|-------|---------|
| 080 | T1060-16710 | STAY RESERVE TANK | 1 | | | 0.33 | |
| 090 | 55311-41260 | BAND CORD | 1 | | | 0.015 | |

ALTERNATOR

Figure Num 01A515



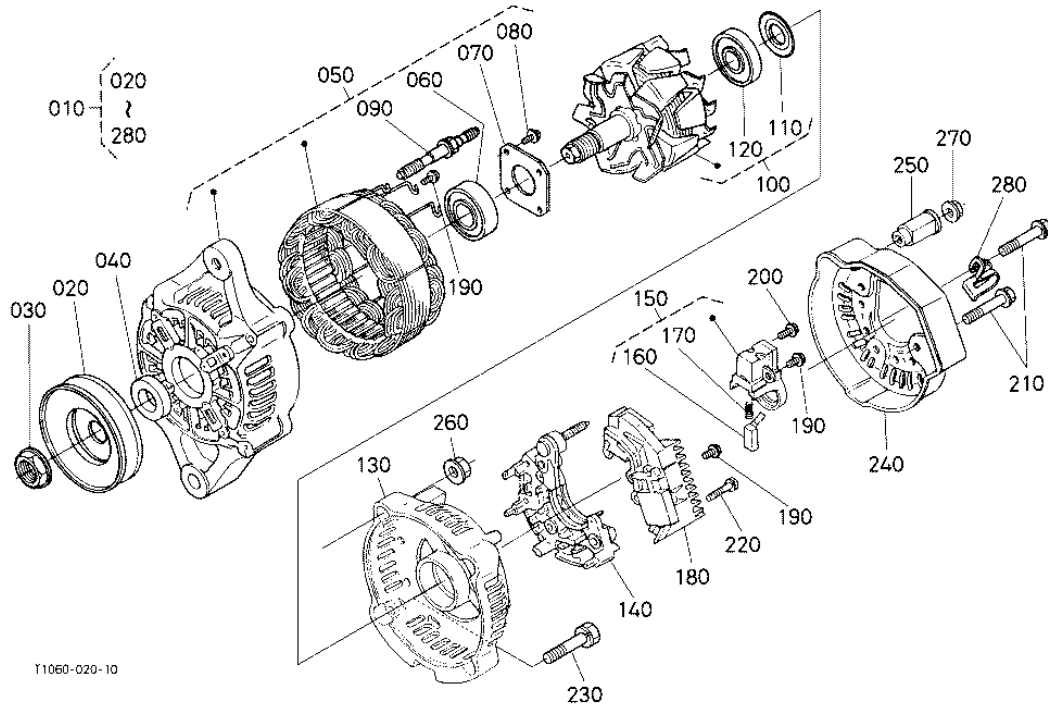
TC242-004-10

ALTERNATOR

| Ref | Part Number | Part Name | Qty | IC | S/N | Lbs | Remarks |
|-----|-------------|---------------------|-----|----|-----|-------|---------|
| 010 | 1A033-64420 | STAY DYNAMO | 1 | | | 0.297 | |
| 020 | 1G790-74280 | PULLEY FAN DRIVE | 1 | | | 2.09 | |
| 030 | 05712-00720 | KEY FEATHER | 1 | | | 0.017 | |
| 040 | T1060-15682 | ASSY ALTERNATOR | 1 | | | 6.71 | |
| 050 | 01754-51070 | BOLT FLANGE | 1 | | | 0.022 | |
| 060 | 01127-50830 | BOLT | 1 | | | 0.050 | |
| 070 | 12264-92020 | NUT SPRING WASHER M | 1 | | | 0.11 | |

ALTERNATOR [COMPONENT PARTS]

Figure Num 01A520



ALTERNATOR [COMPONENT PARTS]

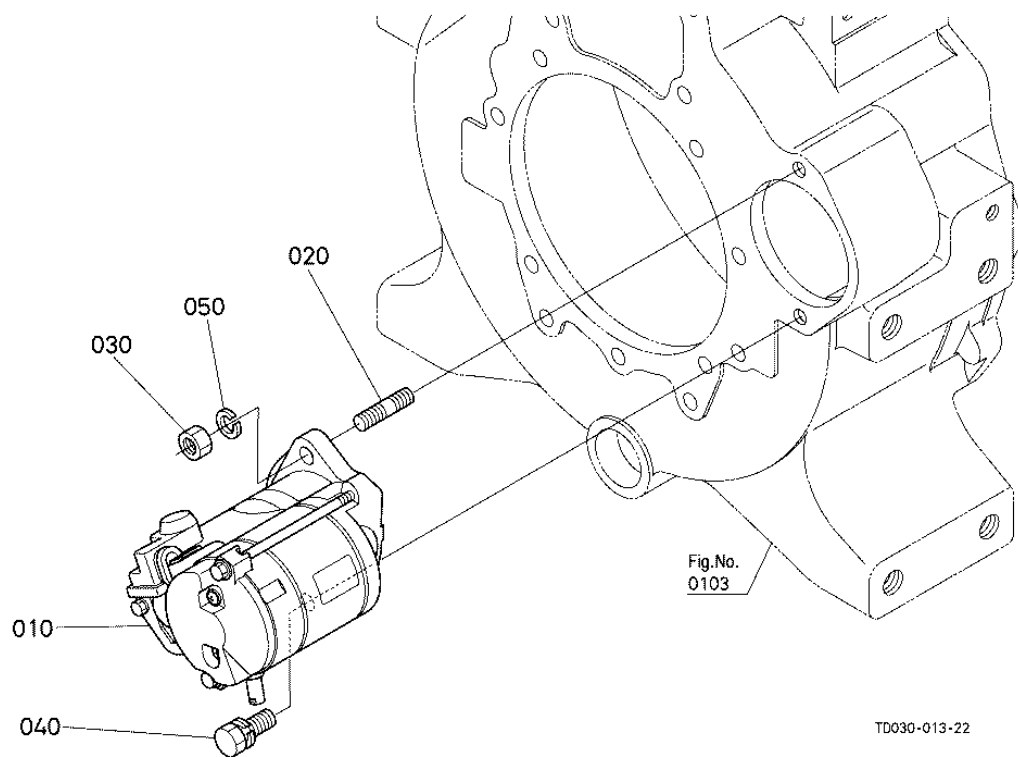
| Ref | Part Number | Part Name | Qty | IC | S/N | Lbs | Remarks |
|-----|-------------|----------------------|-----|----|-----|-------|---------|
| 010 | T1060-15682 | ASSY ALTERNATOR | 1 | | | 6.71 | |
| 020 | 16427-64110 | PULLEY ALTERNATOR | 1 | | | 0.44 | |
| 030 | 15881-92010 | NUT | 1 | | | 0.044 | |
| 040 | 15881-64150 | COLLAR | 1 | | | 0.008 | |
| 050 | 66436-64020 | ASSY FRAME DRIVE END | 1 | | | 2.442 | |
| 060 | 16652-64780 | BEARING BALL | 1 | | | 0.11 | |
| 070 | 15881-64710 | PLATE RETAINER | 1 | | | 0.022 | |

ALTERNATOR [COMPONENT PARTS]

| Ref | Part Number | Part Name | Qty | IC | S/N | Lbs | Remarks |
|-----|-------------|------------------|-----|----|-----|-------|---------|
| 080 | 15881-93010 | SCREW ROUND HEAD | 4 | | | 0.006 | |
| 090 | 15881-64260 | BOLT THROUGH | 2 | | | 0.022 | |
| 100 | 66436-64040 | ROTOR | 1 | | | 2.64 | |
| 110 | 15881-64800 | COVER BEARING | 1 | | | 0.002 | |
| 120 | 16652-64770 | BEARING BALL | 1 | | | 0.099 | |
| 130 | 16241-64060 | FRAME END | 1 | | | 0.44 | |
| 140 | 16231-64850 | ASSY RECTIFIER | 1 | | | 0.396 | |
| 150 | 16652-64310 | HOLDER BRUSH | 1 | | | 0.055 | |
| 160 | 15881-64090 | BRUSH | 2 | | | 0.004 | |
| 170 | 15881-64330 | SPRING BRUSH | 2 | | | 0.004 | |
| 180 | 1K531-64602 | ASSY REGULATOR | 1 | | | 0.176 | |
| 190 | 15881-93030 | SCREW ROUND HEAD | 6 | | | 0.006 | |
| 200 | 15881-93040 | SCREW ROUND HEAD | 1 | | | 0.006 | |
| 210 | 15881-91040 | BOLT | 3 | | | 0.011 | |
| 220 | 15881-93020 | SCREW ROUND HEAD | 2 | | | 0.011 | |
| 230 | 15881-91050 | BOLT | 2 | | | 0.022 | |
| 240 | 16231-64230 | COVER END | 1 | | | 0.077 | |
| 250 | 16241-64900 | BUSH INSULATION | 1 | | | 0.015 | |
| 260 | 15881-92020 | NUT | 2 | | | 0.044 | |
| 270 | 14182-92030 | NUT | 1 | | | 0.006 | |
| 280 | 17369-67570 | CLAMP CORD | 1 | | | 0.002 | |

STARTER

Figure Num 01A525



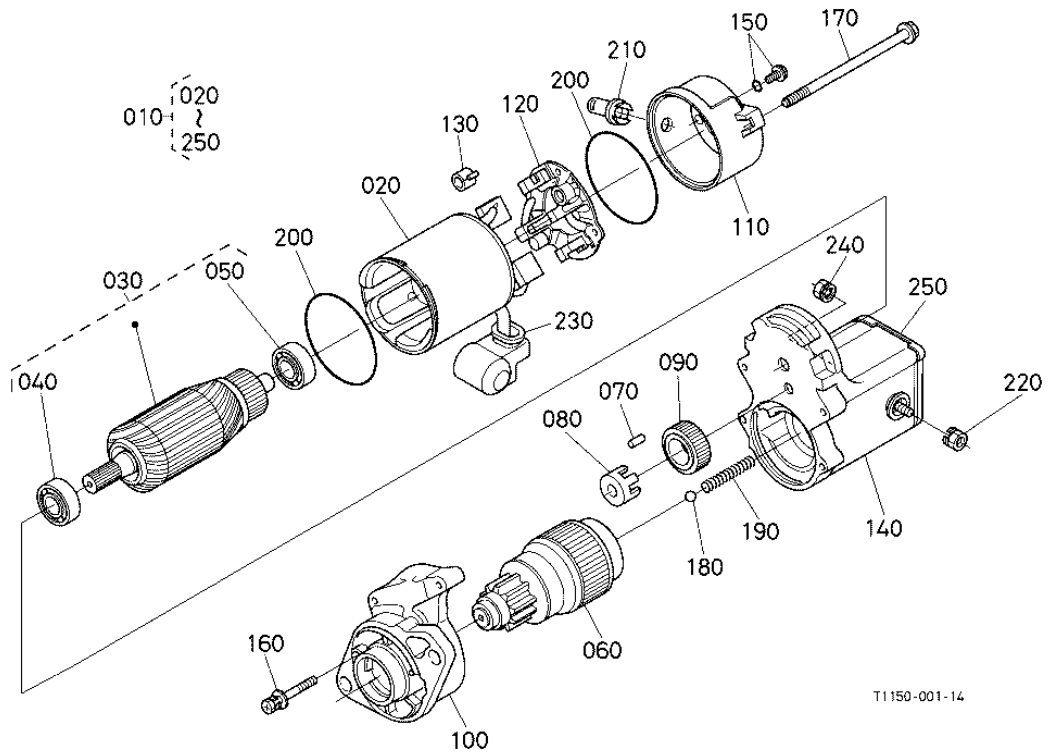
TD030-013-22

STARTER

| Ref | Part Number | Part Name | Qty | IC | S/N | Lbs | Remarks |
|-----|-------------|---------------|-----|----|-----|-------|---------|
| 010 | T1150-16800 | ASSY STARTER | 1 | | | 8.91 | |
| 020 | 01517-61030 | STUD | 1 | | | 0.046 | |
| 030 | 02176-50100 | NUT | 1 | | | 0.011 | |
| 040 | 01133-51030 | BOLT | 1 | | | 0.055 | |
| 050 | 04512-60100 | WASHER SPRING | 1 | | | 0.004 | |

STARTER [COMPONENT PARTS]

Figure Num 01A530



STARTER [COMPONENT PARTS]

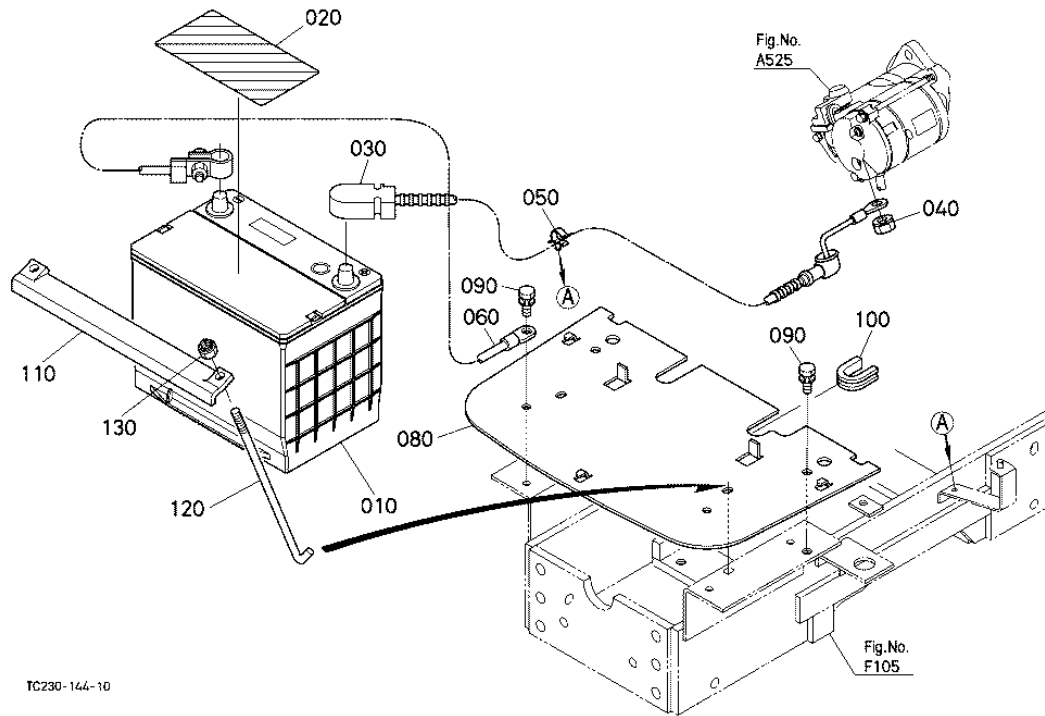
| Ref | Part Number | Part Name | Qty | IC | S/N | Lbs | Remarks |
|-----|-------------|----------------|-----|----|-----|-------|---------|
| 010 | T1150-16800 | ASSY STARTER | 1 | | | 8.91 | |
| 020 | 11197-63080 | ASSY YOKE | 1 | | | 2.024 | |
| 030 | 11197-63070 | ASSY ARMATURE | 1 | | | 1.76 | |
| 040 | 11460-63500 | BEARING | 1 | | | 0.066 | |
| 050 | 11460-63530 | BEARING | 1 | | | 0.044 | |
| 060 | RC411-53260 | CLUTCH STARTER | 1 | | | 1.298 | |
| 070 | 19212-63100 | ROLLER | 5 | | | 0.004 | |

STARTER [COMPONENT PARTS]

| Ref | Part Number | Part Name | Qty | IC | S/N | Lbs | Remarks |
|-----|-------------|----------------------|-----|----|-----|-------|---------|
| 080 | 11460-63110 | RETAINER | 1 | | | 0.022 | |
| 090 | 11460-63270 | GEAR | 1 | | | 0.088 | |
| 100 | RC411-53270 | ASSY HOUSING STARTER | 1 | | | 1.056 | |
| 110 | 17341-63200 | FRAME END | 1 | | | 0.286 | |
| 120 | 17381-63380 | ASSY HOLDER BRUSH | 1 | | | 0.11 | |
| 130 | 15401-63390 | SPRING BRUSH | 4 | | | 0.006 | |
| 140 | RC411-53290 | ASSY SWITCH MAGNETIC | 1 | | | 2.024 | |
| 150 | 15511-63760 | ASSY BOLT | 2 | | | 0.011 | |
| 160 | 11460-93310 | BOLT | 2 | | | 0.022 | |
| 170 | 11197-63320 | BOLT | 2 | | | 0.044 | |
| 180 | 19212-97130 | BALL | 1 | | | 0.006 | |
| 190 | 11460-63120 | SPRING | 1 | | | 0.022 | |
| 200 | 15511-96660 | O RING | 2 | | | 0.011 | |
| 210 | 16285-63570 | PIPE DRAIN | 1 | | | 0.011 | |
| 220 | 13963-92010 | NUT HEXAGON | 1 | | | 0.011 | |
| 230 | 16611-63450 | COVER | 1 | | | 0.066 | |
| 240 | 16285-92010 | NUT HEXAGON | 1 | | | 0.011 | |
| 250 | 16652-98050 | ASSY COVER | 1 | | | 0.114 | |

BATTERY

Figure Num 01A535



TC230-144-10

BATTERY

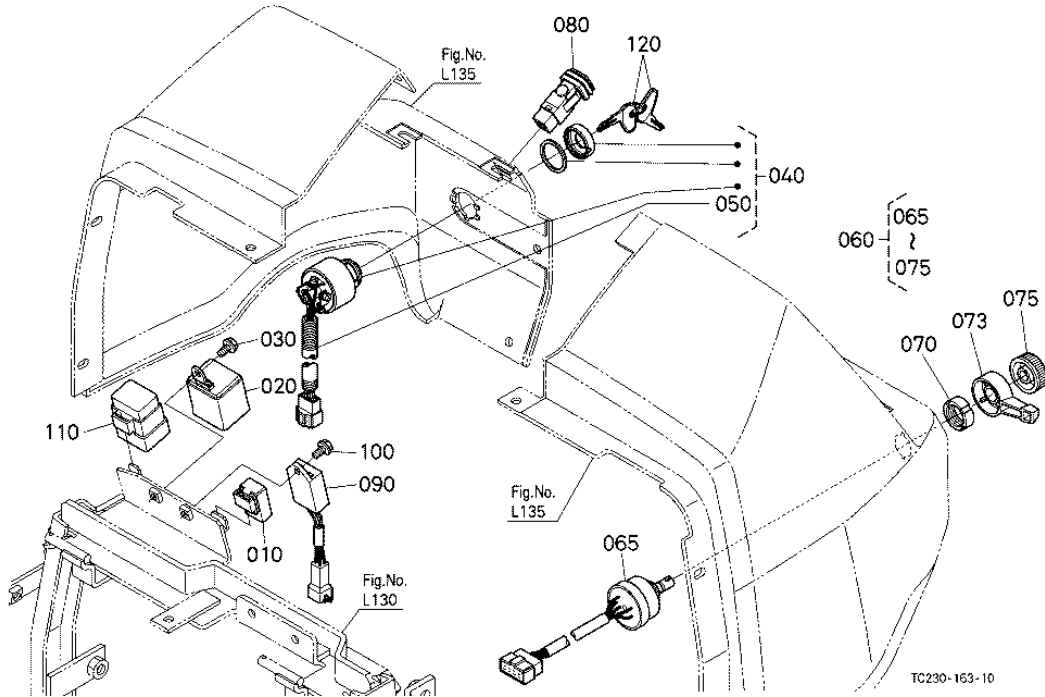
| Ref | Part Number | Part Name | Qty | IC | S/N | Lbs | Remarks |
|-----|-------------|-----------------|-----|----|-----|-------|---------|
| 010 | 99999-99999 | BATTERY | 1 | | | 0 | 80D26R |
| 020 | TD060-30122 | LABEL BATTERY | 1 | | | 0.008 | ENGLISH |
| 030 | TC232-30122 | CORD BATTERY | 1 | | | 0.814 | |
| 040 | 16429-92010 | NUT | 1 | | | 0.015 | |
| 050 | T1060-30140 | CLAMP | 1 | | | 0.004 | |
| 060 | T1060-30130 | CORD EARTH | 1 | | | 0.176 | |
| 080 | TC230-55712 | SUPPORT BATTERY | 1 | | | 7.04 | |

BATTERY

| Ref | Part Number | Part Name | Qty | IC | S/N | Lbs | Remarks |
|-----|-------------|------------------|-----|----|-----|-------|---------|
| 090 | 01123-50820 | BOLT | 2 | | | 0.024 | |
| 100 | 30430-82770 | CUSHION | 2 | | | 0.011 | |
| 110 | T1060-40110 | RETAINER BATTERY | 1 | | | 0.44 | |
| 120 | TC230-50120 | BOLT HOOK | 2 | | | 0.101 | |
| 130 | 02552-50060 | NUT LOCK | 2 | | | 0.004 | |

SWITCH 1/RELAY

Figure Num 01B102



SWITCH 1/RELAY

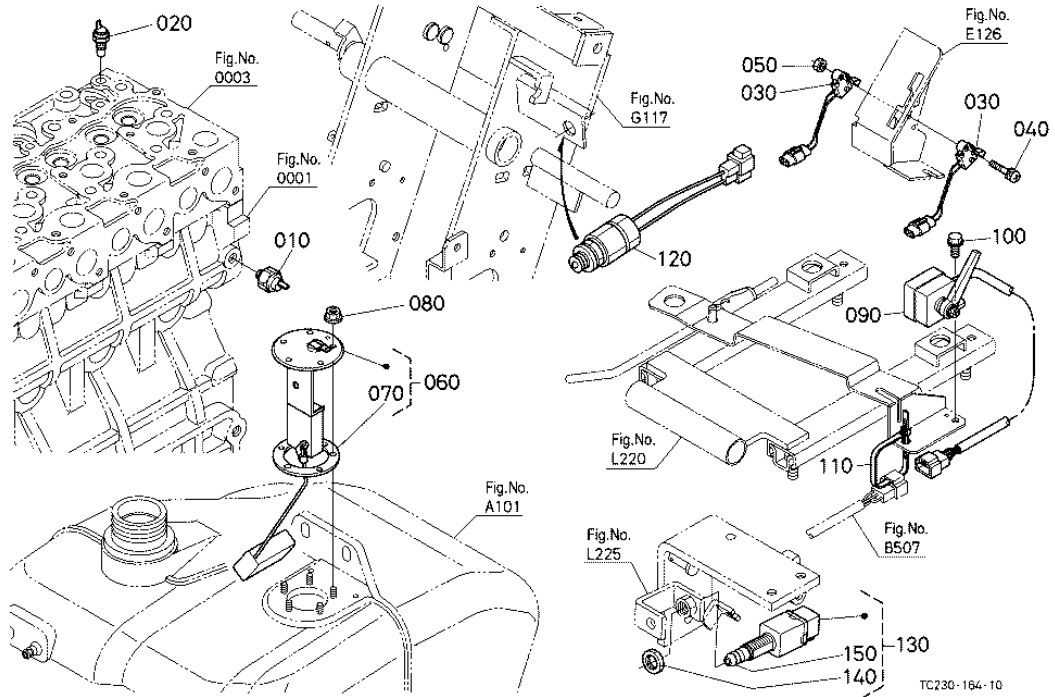
| Ref | Part Number | Part Name | Qty | IC | S/N | Lbs | Remarks |
|-----|-------------|---------------------|-----|----|-----|-------|---------|
| 010 | T1060-33720 | RELAY STARTER | 1 | | | 0.044 | |
| 020 | 3F240-75430 | UNIT FLASHER | 1 | | | 0.132 | |
| 030 | 01754-50616 | BOLT FLANGE | 1 | | | 0.013 | |
| 040 | TC020-31820 | SWITCH MAIN | 1 | | | 0.532 | |
| 050 | 35080-31830 | HARNESS MAIN SWITCH | 1 | | | 0.044 | |
| 060 | 67156-55210 | SWITCH COMBINATION | 1 | | | 0.209 | |
| 065 | 67156-55260 | ASSY BODY SWITCH | 1 | | | 0.154 | |

SWITCH 1/RELAY

| Ref | Part Number | Part Name | Qty | IC | S/N | Lbs | Remarks |
|-----|-------------|----------------------|-----|----|-----|-------|---------|
| 070 | 67156-55230 | NUT RING | 1 | | | 0.006 | |
| 073 | 67156-55240 | LEVER FLASHER | 1 | | | 0.008 | |
| 075 | 67156-55250 | KNOB LIGHT | 1 | | | 0.008 | |
| 080 | TA140-30910 | SWITCH HAZARD | 1 | | | 0.253 | |
| 090 | TD060-30500 | TIMER OPC | 1 | | | 0.088 | |
| 100 | 01754-50616 | BOLT FLANGE | 1 | | | 0.013 | |
| 110 | T1060-33710 | RELAY GLOW | 1 | | | 0.154 | |
| 120 | 35260-31852 | ASSY KEY MAIN SWITCH | 1 | | | 0.088 | |

SWITCH 2/SENSOR

Figure Num 01B103



SWITCH 2/SENSOR

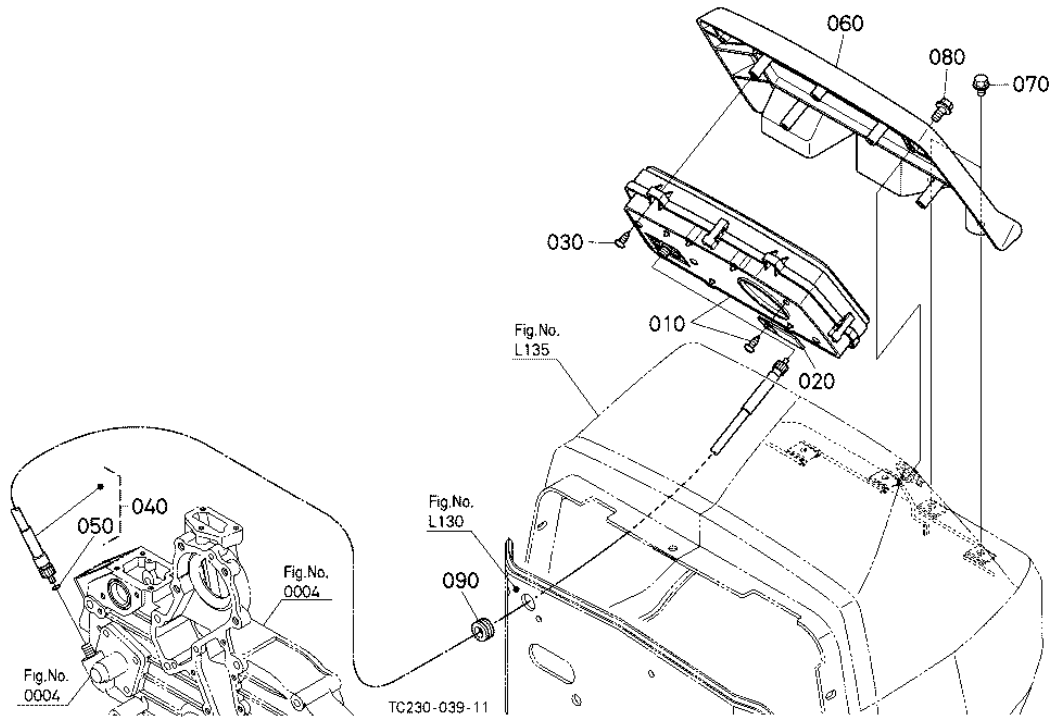
| Ref | Part Number | Part Name | Qty | IC | S/N | Lbs | Remarks |
|-----|-------------|--------------------|-----|----|-----|-------|---------|
| 010 | 1A024-39010 | SWITCH OIL | 1 | | | 0.077 | |
| 020 | 32330-32830 | SENSOR WATER TEMP. | 1 | | | 0.022 | |
| 030 | T1060-43900 | SWITCH LEVER | 2 | | | 0.022 | |
| 040 | 03024-50425 | SCREW WITH WASHER | 1 | | | 0.006 | |
| 050 | 02054-50040 | NUT | 1 | | | 0.006 | |
| 060 | TC230-31200 | SENSOR FUEL GAUGE | 1 | | | 0.319 | |
| 070 | 6A320-85812 | GASKET GAUGE | 1 | | | 0.011 | |

SWITCH 2/SENSOR

| Ref | Part Number | Part Name | Qty | IC | S/N | Lbs | Remarks |
|-----|-------------|-------------------|-----|----|-----|-------|---------|
| 080 | 02761-50050 | NUT FLANGE | 5 | | | 0.004 | |
| 090 | TD060-47902 | SWITCH SEAT | 1 | | | 0.066 | |
| 100 | 01754-50612 | BOLT FLANGE | 1 | | | 0.011 | |
| 110 | 44366-68380 | BAND CORD | 2 | | | 0.022 | |
| 120 | TD060-57500 | SWITCH SAFETY | 1 | | | 0.308 | |
| 130 | TD060-53900 | SWITCH NEUTRAL | 1 | | | 0.198 | |
| 140 | 67111-55830 | NUT SAFETY SWITCH | 1 | | | 0.077 | |
| 150 | TD060-53910 | COVER SWITCH | 1 | | | 0.002 | |

PANEL BOARD

Figure Num 01B115



PANEL BOARD

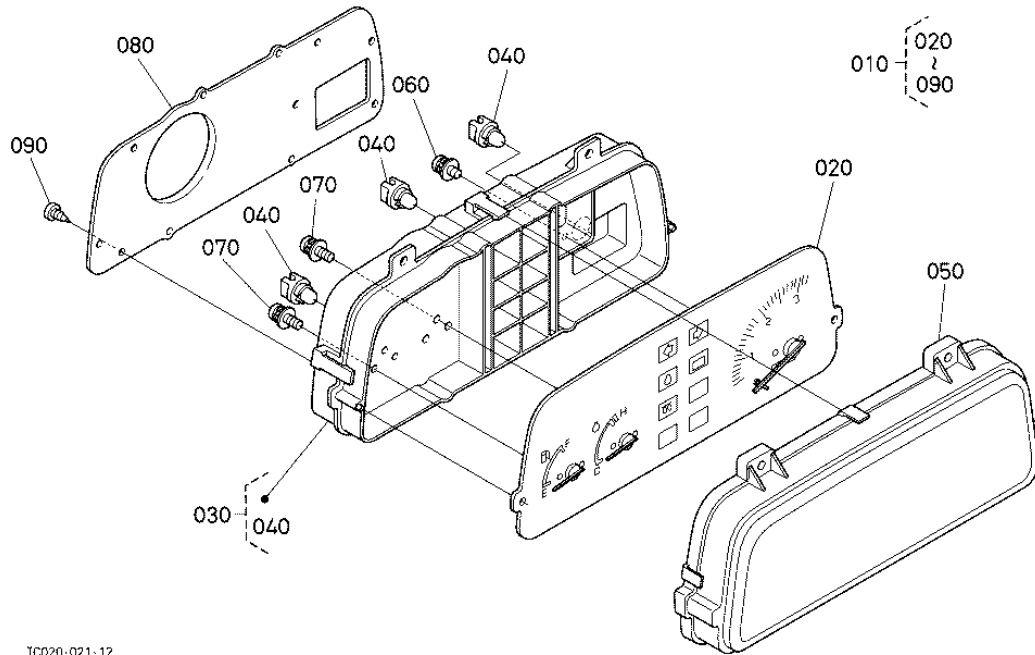
| Ref | Part Number | Part Name | Qty | IC | S/N | Lbs | Remarks |
|-----|-------------|---------------------|-----|----|-----|-------|---------|
| 010 | TC050-30215 | ASSY PANEL | 1 | | | 1.716 | |
| 020 | 15241-67580 | CLAMP CORD | 1 | | | 0.008 | |
| 030 | 03614-50620 | SCREW TAPPING | 4 | | | 0.006 | |
| 040 | TA040-30610 | ASSY CABLE FLEXIBLE | 1 | | | 0.55 | |
| 050 | 04811-10080 | O RING | 1 | | | 0.002 | |
| 060 | TC020-43020 | COVER METER PANEL | 1 | | | 0.88 | |
| 070 | 31351-18790 | BOLT FLANGE | 4 | | | 0.011 | |

PANEL BOARD

| Ref | Part Number | Part Name | Qty | IC | S/N | Lbs | Remarks |
|------------|--------------------|------------------|------------|-----------|------------|------------|----------------|
| 080 | 5H100-32900 | BOLT FLANGE | 2 | | | 0.022 | |
| 090 | 37410-51760 | GROMMET | 1 | | | 0.006 | |

PANEL BOARD [COMPONENT PARTS]

Figure Num 01B120



TC020-021-12

PANEL BOARD [COMPONENT PARTS]

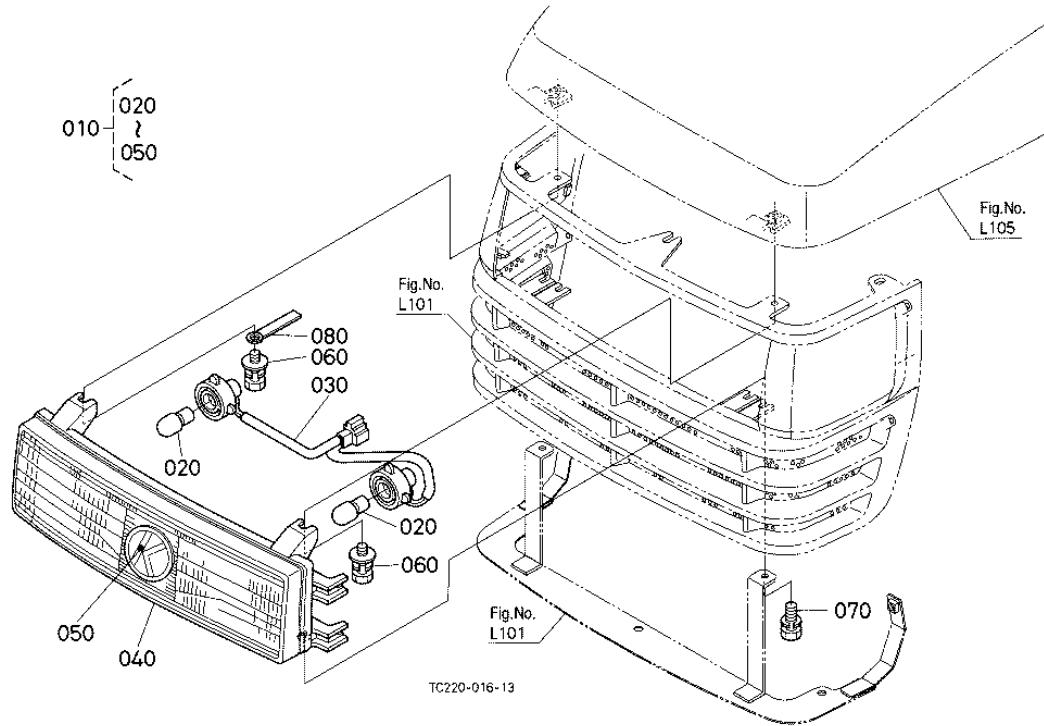
| Ref | Part Number | Part Name | Qty | IC | S/N | Lbs | Remarks |
|-----|-------------|------------|-----|----|-----|-------|---------|
| 010 | TC050-30215 | ASSY PANEL | 1 | | | 1.716 | |
| 020 | TC050-30223 | COMP.METER | 1 | | | 0.55 | |
| 030 | TC020-30252 | ASSY CASE | 1 | | | 1.43 | |
| 040 | 6C040-55140 | ASSY BULB | 7 | | | 0.006 | 1.7W |
| 050 | TC020-30260 | GLASS | 1 | | | 0.385 | |
| 060 | 6C040-55150 | SCREW | 2 | | | 0.004 | |
| 070 | 6C040-55160 | SCREW | 6 | | | 0.004 | |

PANEL BOARD [COMPONENT PARTS]

| Ref | Part Number | Part Name | Qty | IC | S/N | Lbs | Remarks |
|------------|--------------------|------------------|------------|-----------|------------|------------|----------------|
| 080 | TC020-30272 | COVER | 1 | | | 0.165 | |
| 090 | 6C040-55180 | SCREW | 5 | | | 0.006 | |

HEAD LIGHT

Figure Num 01B303



HEAD LIGHT

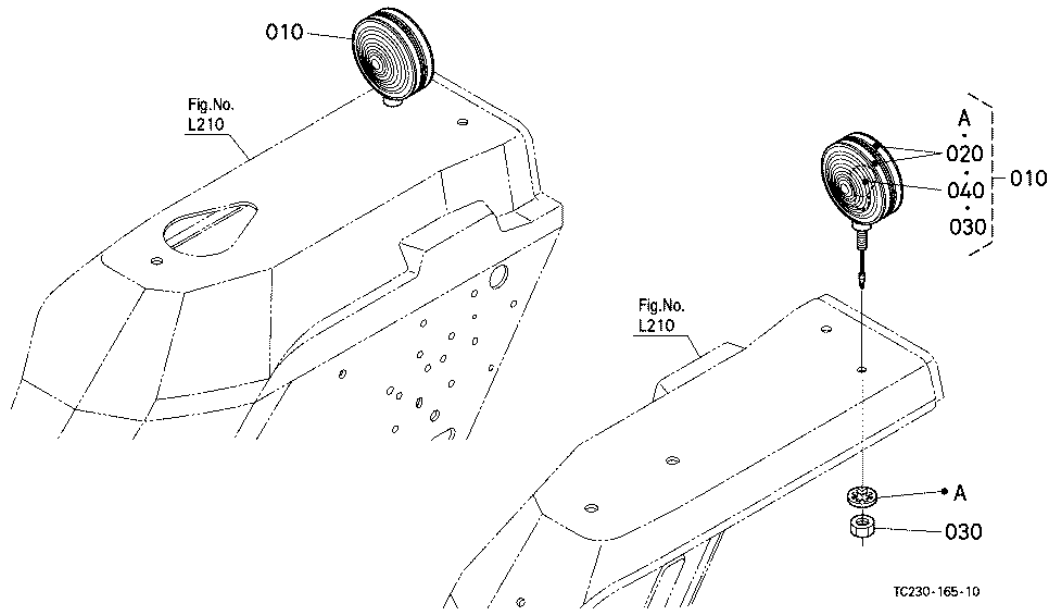
| Ref | Part Number | Part Name | Qty | IC | S/N | Lbs | Remarks |
|-----|-------------|-------------------|-----|----|-----|-------|---------|
| 010 | T0421-30013 | ASSY LIGHT HEAD | 1 | | | 1.518 | |
| 020 | 34070-99010 | BULB | 2 | | | 0.044 | 25W |
| 030 | T0430-99090 | ASSY WIRE HARNESS | 1 | | | 0.11 | |
| 040 | TA140-99100 | UNIT LAMP | 1 | | | 1.32 | |
| 050 | TA140-49500 | MARK SYMBOL | 1 | | | 0.028 | |
| 060 | 01025-50616 | BOLT | 2 | | | 0.011 | |
| 070 | 01023-50616 | BOLT | 2 | | | 0.011 | |

HEAD LIGHT

| Ref | Part Number | Part Name | Qty | IC | S/N | Lbs | Remarks |
|-----|-------------|------------|-----|----|-----|-------|---------|
| 080 | 15241-67580 | CLAMP CORD | 1 | | | 0.008 | |

HAZARD LIGHT

Figure Num 01B311

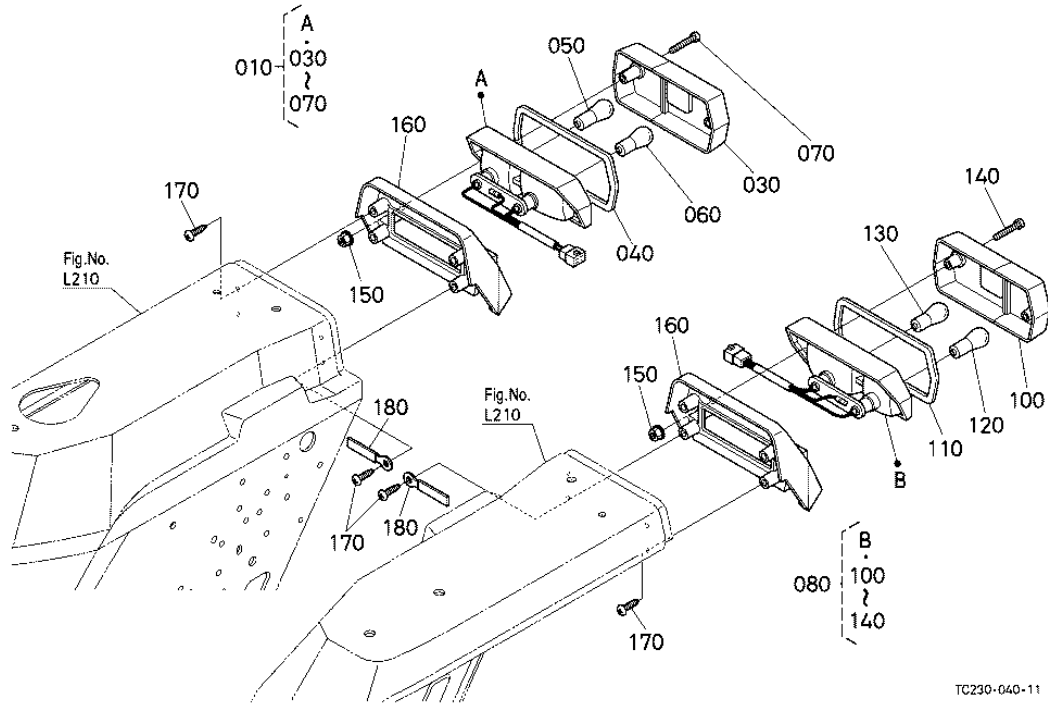


HAZARD LIGHT

| Ref | Part Number | Part Name | Qty | IC | S/N | Lbs | Remarks |
|-----|-------------|------------------|-----|----|-----|-------|---------|
| 010 | TC222-33610 | ASSY LAMP HAZARD | 2 | | | 0.528 | |
| 020 | 3N340-91510 | LENS | 4 | | | 0.088 | |
| 030 | 3N340-91520 | NUT | 2 | | | 0.044 | |
| 040 | 3N340-91530 | BULB | 2 | | | 0.026 | 23W |

REAR LAMP

Figure Num 01B312



REAR LAMP

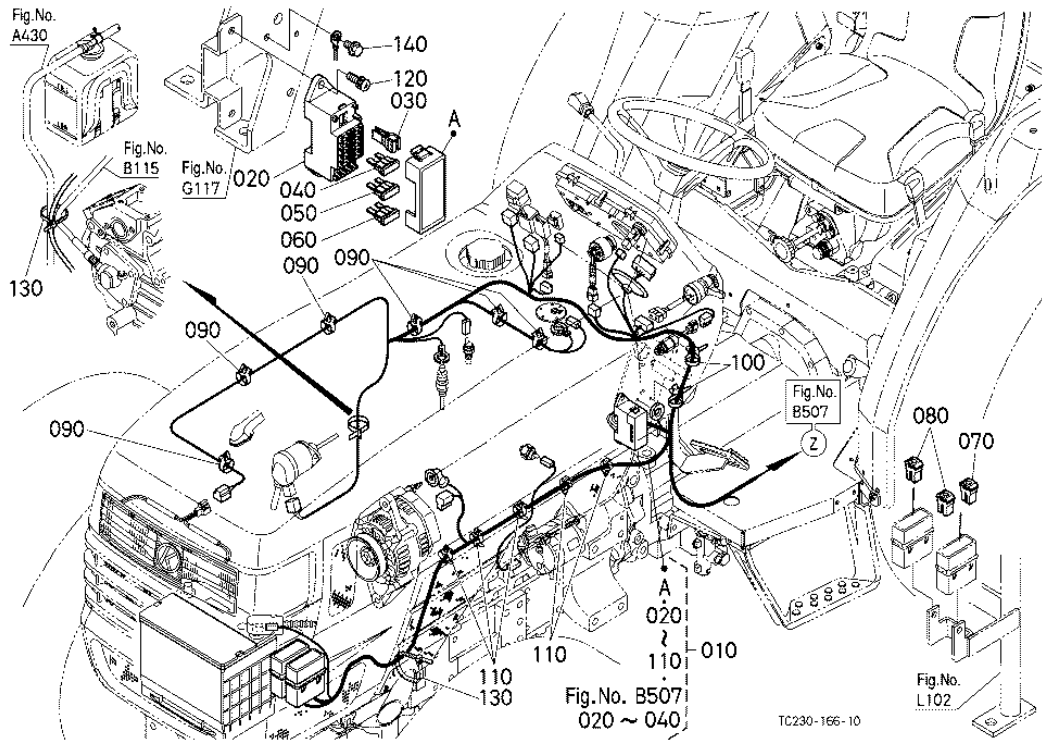
| Ref | Part Number | Part Name | Qty | IC | S/N | Lbs | Remarks |
|-----|-------------|---------------------|-----|----|-----|-------|---------|
| 010 | T1150-34302 | ASSY LIGHT COMBI.RH | 1 | | | 0.682 | |
| 030 | 31301-34340 | LENS | 1 | | | 0.231 | |
| 040 | 31391-34350 | GASKET | 1 | | | 0.004 | |
| 050 | 31391-34360 | BULB | 1 | | | 0.039 | 23W |
| 060 | 31301-34370 | BULB | 1 | | | 0.044 | 23/8W |
| 070 | T1150-34380 | SCREW | 2 | | | 0.013 | |
| 080 | T1150-34312 | ASSY LIGHT COMBI.LH | 1 | | | 0.682 | |

REAR LAMP

| Ref | Part Number | Part Name | Qty | IC | S/N | Lbs | Remarks |
|-----|-------------|---------------|-----|----|-----|-------|---------|
| 100 | 31301-34340 | LENS | 1 | | | 0.231 | |
| 110 | 31391-34350 | GASKET | 1 | | | 0.004 | |
| 120 | 31391-34360 | BULB | 1 | | | 0.039 | 23W |
| 130 | 31301-34370 | BULB | 1 | | | 0.044 | 23/8W |
| 140 | T1150-34380 | SCREW | 2 | | | 0.013 | |
| 150 | 02761-50050 | NUT FLANGE | 4 | | | 0.004 | |
| 160 | 34040-68960 | HOLDER | 2 | | | 0.506 | |
| 170 | 03614-50614 | SCREW TAPPING | 8 | | | 0.011 | |
| 180 | 15272-67580 | CLAMP CORD | 2 | | | 0.046 | |

ELECTRICAL WIRING (FRONT)

Figure Num 01B503



ELECTRICAL WIRING (FRONT)

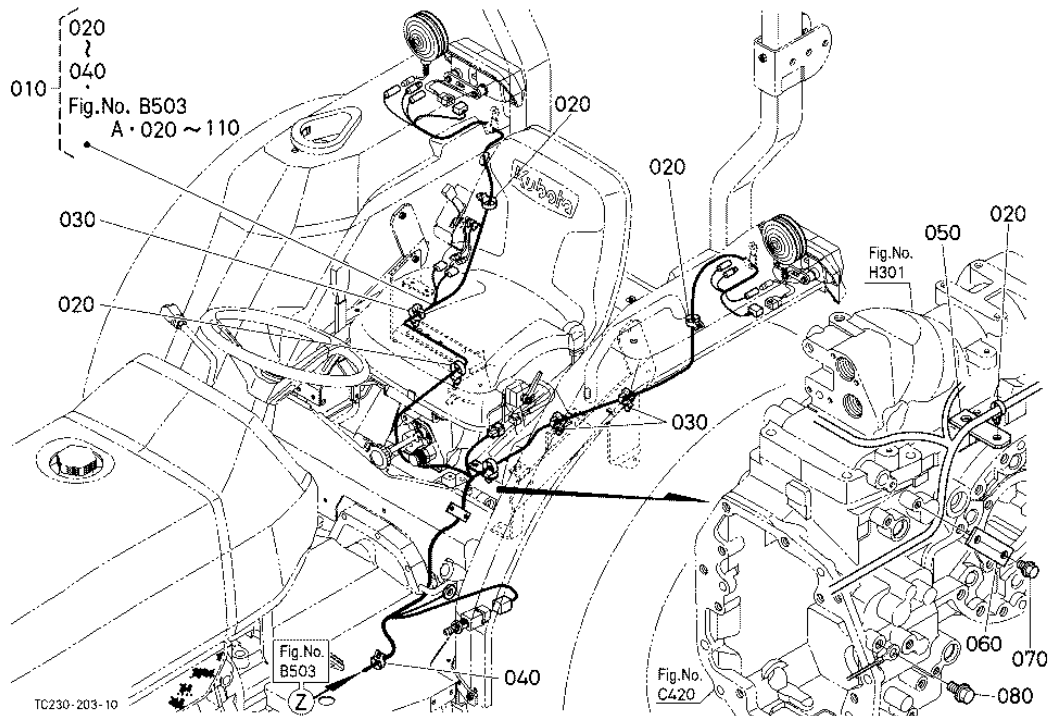
| Ref | Part Number | Part Name | Qty | IC | S/N | Lbs | Remarks |
|-----|-------------|------------------|-----|----|-----|-------|---------|
| 010 | TC230-53950 | WIRE HARNESS HST | 1 | | | 5.5 | |
| 020 | T1060-30420 | CASE FUSE BOX | 1 | | | 0.099 | |
| 030 | T1060-30490 | PULLER FUSE | 1 | | | 0.011 | |
| 040 | T1060-30430 | FUSE | 4 | | | 0.011 | 5A |
| 050 | T1060-30440 | FUSE | 3 | | | 0.011 | 10A |
| 060 | T1060-30450 | FUSE | 3 | | | 0.011 | 15A |
| 070 | T1060-30510 | FUSE | 1 | | | 0.015 | 30A |

ELECTRICAL WIRING (FRONT)

| Ref | Part Number | Part Name | Qty | IC | S/N | Lbs | Remarks |
|-----|-------------|-------------|-----|----|-----|-------|---------|
| 080 | T1060-30520 | FUSE | 2 | | | 0.015 | 40A |
| 090 | T1060-30540 | CLIP | 6 | | | 0.022 | |
| 100 | RP421-54110 | CLAMP | 2 | | | 0.004 | |
| 110 | TD060-30570 | CLIP | 5 | | | 0.006 | |
| 120 | 31391-31140 | SCREW | 2 | | | 0.022 | |
| 130 | 44366-68380 | BAND CORD | 2 | | | 0.022 | |
| 140 | 01754-50812 | BOLT FLANGE | 1 | | | 0.022 | |

ELECTRICAL WIRING (REAR)

Figure Num 01B507



ELECTRICAL WIRING (REAR)

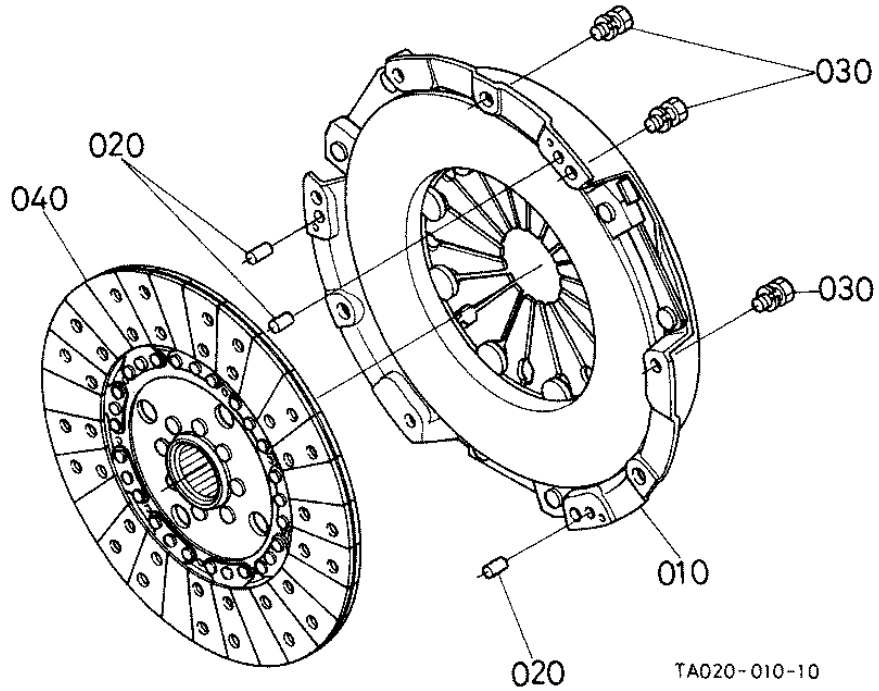
| Ref | Part Number | Part Name | Qty | IC | S/N | Lbs | Remarks |
|-----|-------------|--------------------|-----|----|-----|-------|---------|
| 010 | TC230-53950 | WIRE HARNESS HST | 1 | | | 5.5 | |
| 020 | T1060-30540 | CLIP | 4 | | | 0.022 | |
| 030 | TD060-30570 | CLIP | 3 | | | 0.006 | |
| 040 | T1060-30550 | CLIP | 1 | | | 0.022 | |
| 050 | TC230-34512 | PLATE HARNESS CLIP | 1 | | | 0.057 | |
| 060 | TC230-42120 | PLATE FUEL TANK | 1 | | | 0.088 | |
| 070 | 01754-50812 | BOLT FLANGE | 1 | | | 0.022 | |

ELECTRICAL WIRING (REAR)

| Ref | Part Number | Part Name | Qty | IC | S/N | Lbs | Remarks |
|------------|--------------------|------------------|------------|-----------|------------|------------|----------------|
| 080 | 01774-51014 | BOLT FLANGE | 1 | | | 0.22 | |

CLUTCH

Figure Num 01C101

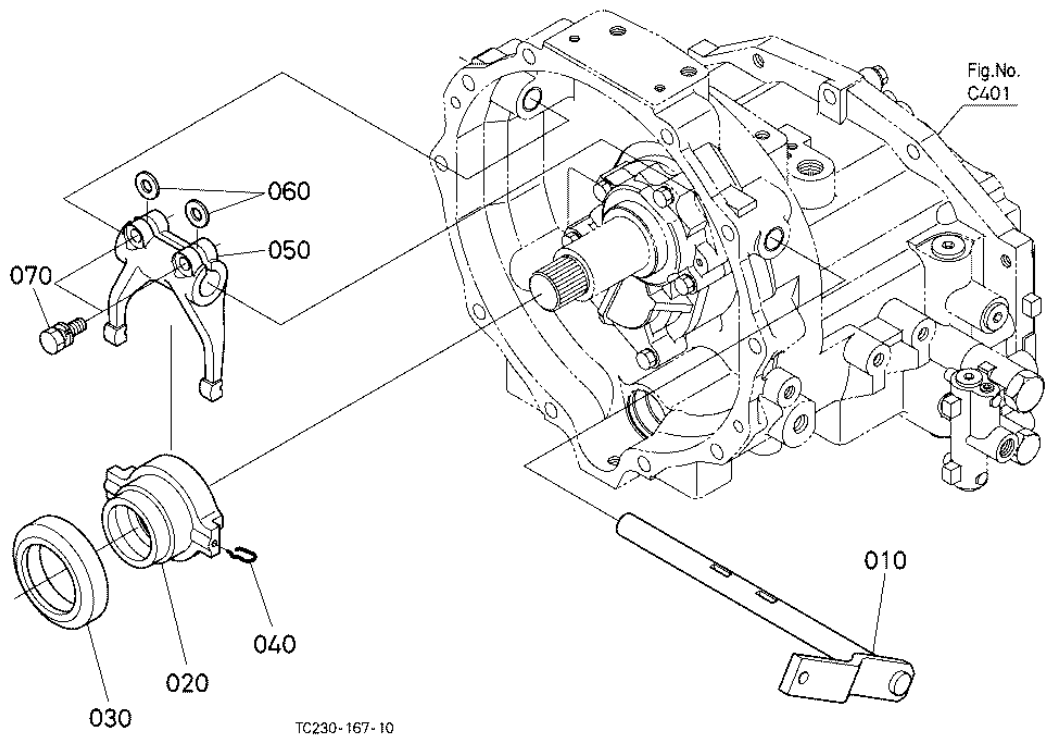


CLUTCH

| Ref | Part Number | Part Name | Qty | IC | S/N | Lbs | Remarks |
|-----|-------------|---------------------|-----|----|-----|-------|---------|
| 010 | TA020-20600 | ASSY PLATE PRESSURE | 1 | | | 14.3 | |
| 020 | 05012-00612 | PIN STRAIGHT | 3 | | | 0.006 | |
| 030 | 01123-60816 | BOLT | 9 | | | 0.022 | |
| 040 | TD020-20500 | COMP.DISK CLUTCH | 1 | | | 2.266 | |

CLUTCH LEVER

Figure Num 01C201

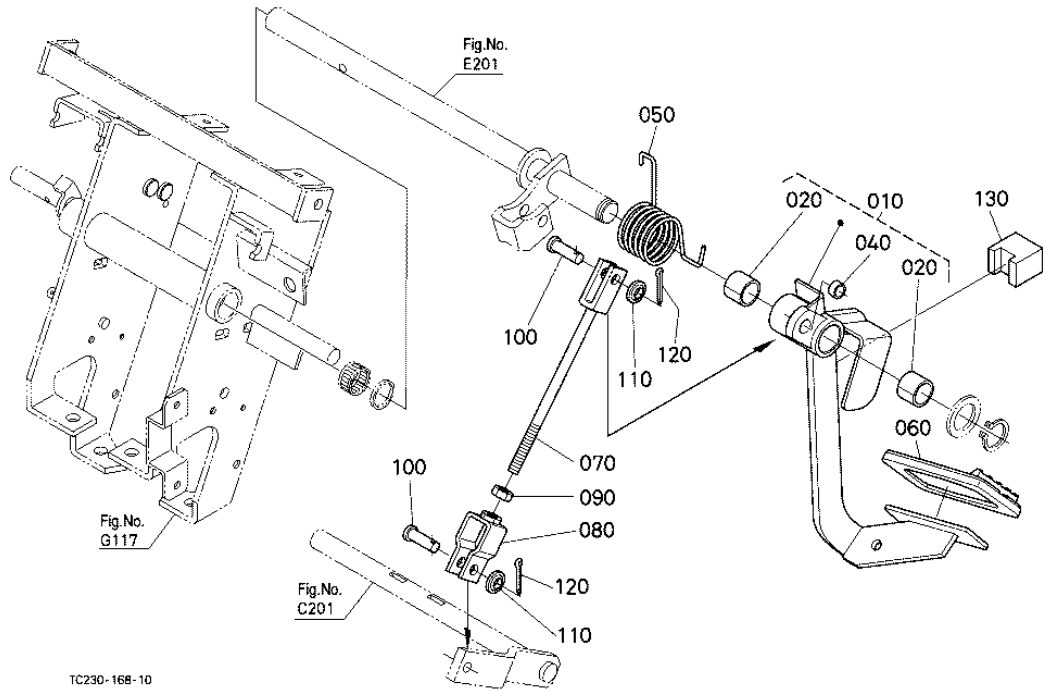


CLUTCH LEVER

| Ref | Part Number | Part Name | Qty | IC | S/N | Lbs | Remarks |
|-----|-------------|---------------------|-----|----|-----|-------|---------|
| 010 | TC030-21172 | LEVER CLUTCH | 1 | | | 2.332 | |
| 020 | T1150-21150 | HOLDER CLUTCH | 1 | | | 1.221 | |
| 030 | 3C001-26350 | BEARING RELEASE | 1 | | | 0.638 | |
| 040 | TA040-21210 | PIN SNAP | 2 | | | 0.004 | |
| 050 | TA040-21200 | FORK CLUTCH RELEASE | 1 | | | 1.188 | |
| 060 | 31150-14780 | KEY FORK | 2 | | | 0.006 | |
| 070 | 01123-50825 | BOLT | 2 | | | 0.028 | |

CLUTCH PEDAL

Figure Num 01C301



TC230-168-10

CLUTCH PEDAL

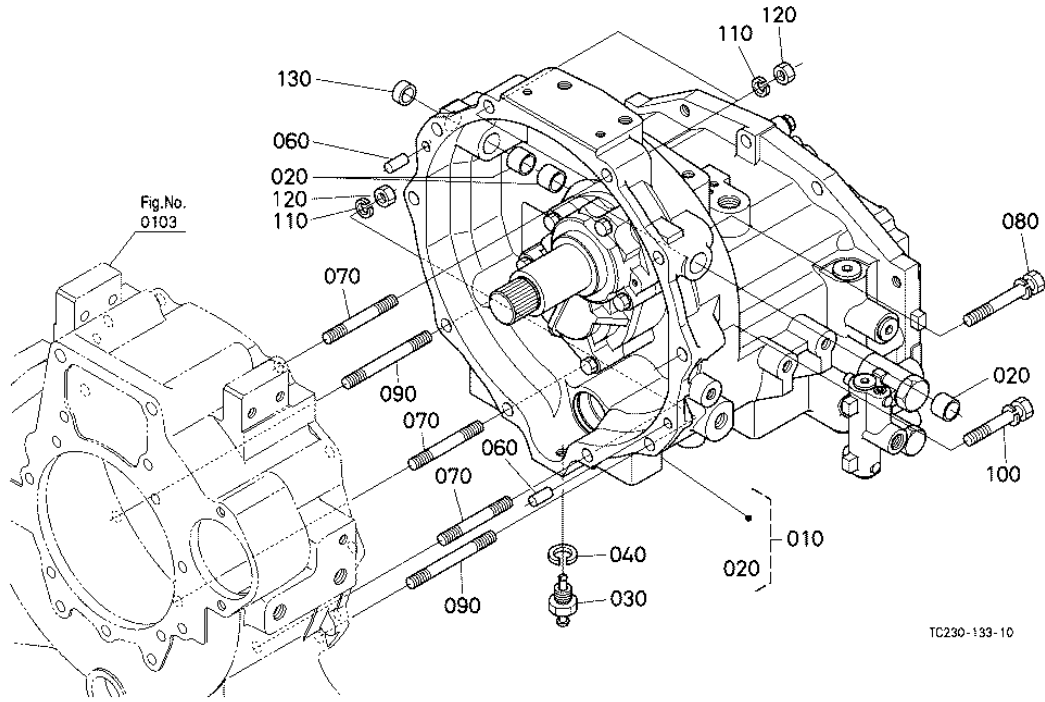
| Ref | Part Number | Part Name | Qty | IC | S/N | Lbs | Remarks |
|-----|-------------|-------------------|-----|----|-----|-------|---------|
| 010 | TC232-44050 | ASSY PEDAL CLUTCH | 1 | | | 3.3 | |
| 020 | TD060-44080 | BUSH | 2 | | | 0.004 | |
| 040 | TC030-44030 | BUSH | 1 | | | 0.002 | |
| 050 | TC030-44160 | SPRING | 1 | | | 0.22 | |
| 060 | T2050-44120 | COVER PEDAL | 1 | | | 0.154 | |
| 070 | TC030-76200 | ROD BRAKE UPPER | 1 | | | 0.363 | |
| 080 | 34070-44470 | U JOINT | 1 | | | 0.176 | |

CLUTCH PEDAL

| Ref | Part Number | Part Name | Qty | IC | S/N | Lbs | Remarks |
|-----|-------------|--------------------|-----|----|-----|-------|---------|
| 090 | 02176-50100 | NUT | 1 | | | 0.011 | |
| 100 | 05122-61028 | PIN JOINT | 2 | | | 0.044 | |
| 110 | 04717-01000 | WASHER WITH RUBBER | 2 | | | 0.002 | |
| 120 | 05511-50318 | PIN SPLIT | 2 | | | 0.002 | |
| 130 | TC030-15950 | SPACER CLUTCH | 1 | | | 0.033 | |

CLUTCH HOUSING

Figure Num 01C401



TC230-133-10

CLUTCH HOUSING

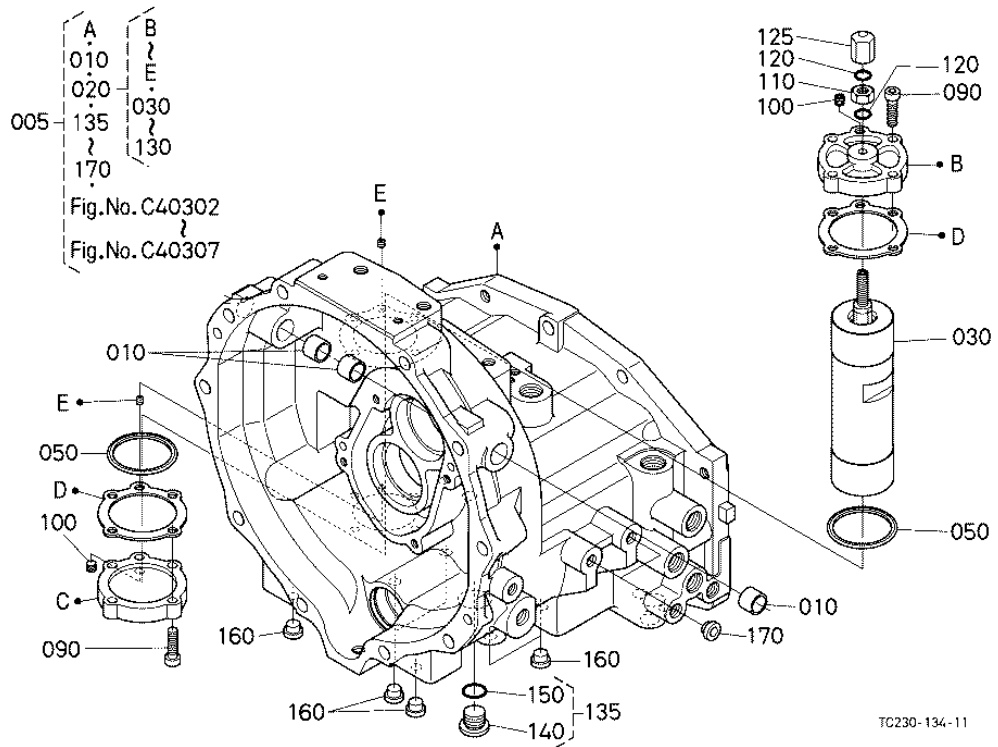
| Ref | Part Number | Part Name | Qty | IC | S/N | Lbs | Remarks |
|-----|-------------|---------------|-----|----|-----|-------|---------|
| 010 | TC230-59990 | ASSY HST | 1 | | | 0 | |
| 020 | 08511-01915 | BUSH | 3 | | | 0.022 | |
| 030 | 32430-14270 | KIT PLUG | 1 | | | 0.088 | |
| 040 | 04512-60140 | WASHER SPRING | 1 | | | 0.017 | |
| 060 | 05012-01018 | PIN STRAIGHT | 2 | | | 0.026 | |
| 070 | 01574-51265 | STUD | 4 | | | 0.147 | |
| 080 | 01133-51280 | BOLT | 2 | | | 0.154 | |

CLUTCH HOUSING

| Ref | Part Number | Part Name | Qty | IC | S/N | Lbs | Remarks |
|-----|-------------|---------------|-----|----|-----|-------|---------|
| 090 | 01574-51285 | STUD | 2 | | | 0.187 | |
| 100 | 01133-51265 | BOLT | 2 | | | 0.143 | |
| 110 | 04512-60120 | WASHER SPRING | 6 | | | 0.011 | |
| 120 | 02176-50120 | NUT | 6 | | | 0.022 | |
| 130 | 31351-38720 | PLUG | 1 | | | 0.011 | |

HST (SERVO PISTON) [COMPONENT PARTS]

Figure Num 01C40301



HST (SERVO PISTON) [COMPONENT PARTS]

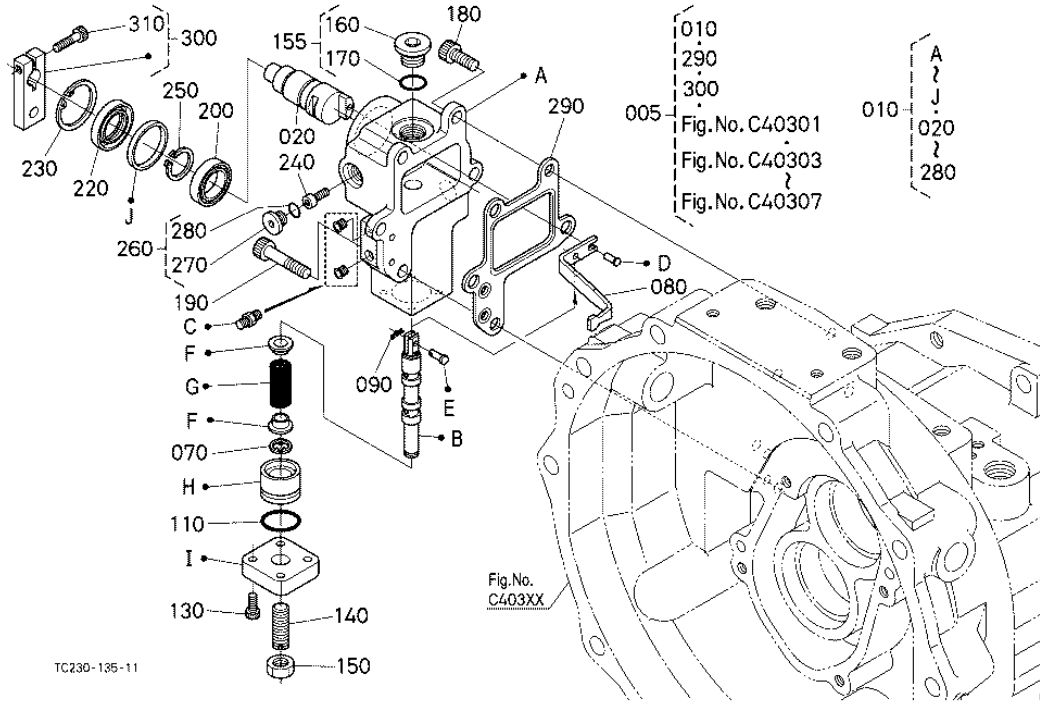
| Ref | Part Number | Part Name | Qty | IC | S/N | Lbs | Remarks |
|-----|-------------|-----------------|-----|----|-----|-------|---------|
| 005 | TC230-59990 | ASSY HST | 1 | | | 0 | |
| 010 | 08511-01915 | BUSH | 3 | | | 0.022 | |
| 020 | TC230-59100 | ASSY PISTON | 1 | | | 0 | |
| 030 | TD170-59150 | COMP.PISTON | 1 | | | 0 | |
| 050 | 5H661-12120 | GASKET | 2 | | | 0.015 | |
| 090 | 01311-10830 | BOLT HEX-SOC-HD | 8 | | | 0.033 | |
| 100 | 15521-96020 | PLUG | 2 | | | 0.006 | |

HST (SERVO PISTON) [COMPONENT PARTS]

| Ref | Part Number | Part Name | Qty | IC | S/N | Lbs | Remarks |
|-----|-------------|-----------|-----|----|-----|-------|------------|
| 110 | TD170-59220 | NUT | 1 | | | 0.048 | |
| 120 | 04817-00120 | O RING | 2 | | | 0.002 | |
| 125 | TD170-59230 | NUT | 1 | | | 0.099 | |
| 135 | TC230-58960 | ASSY PLUG | 1 | | | 0 | |
| 140 | 5H600-11820 | PLUG | 1 | | | 0.011 | |
| 150 | 04817-00180 | O RING | 1 | | | 0.006 | |
| 160 | 32210-27580 | PLUG | 6 | | | 0.002 | |
| 170 | 32210-27580 | PLUG | 4 | | | 0.002 | OUT OF USE |

HST (SERVO REGULATOR) [COMPONENT PARTS]

Figure Num 01C40302



HST (SERVO REGULATOR) [COMPONENT PARTS]

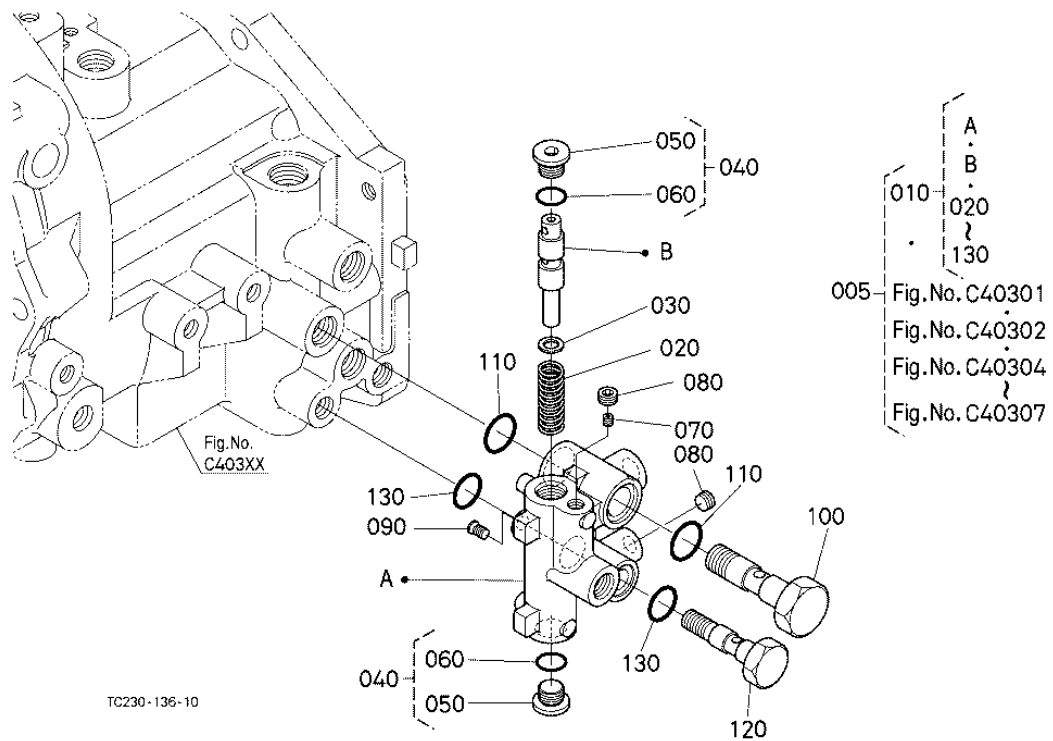
| Ref | Part Number | Part Name | Qty | IC | S/N | Lbs | Remarks |
|-----|-------------|-------------------|-----|----|-----|-------|---------|
| 005 | TC230-59990 | ASSY HST | 1 | | | 0 | |
| 010 | TC230-59300 | ASSY REGULATOR | 1 | | | 0 | |
| 020 | TC230-59310 | SHAFT REGULATOR | 1 | | | 0 | |
| 070 | 04613-50070 | CIR CLIP EXTERNAL | 1 | | | 0.002 | |
| 080 | TC230-59412 | LEVER FEED BACK | 1 | | | 0 | |
| 090 | PA401-91160 | PIN SNAP | 1 | | | 0.002 | |
| 110 | 04817-00210 | O RING | 1 | | | 0.004 | |

HST (SERVO REGULATOR) [COMPONENT PARTS]

| Ref | Part Number | Part Name | Qty | IC | S/N | Lbs | Remarks |
|-----|-------------|----------------------|-----|----|-----|-------|---------|
| 130 | 01350-10512 | BOLT HEX-SOC-HD | 4 | | | 0.006 | |
| 140 | TC230-59330 | SCREW | 1 | | | 0 | |
| 150 | 02116-50100 | NUT | 1 | | | 0.008 | |
| 155 | TC230-58210 | ASSY PLUG | 1 | | | 0 | |
| 160 | 5H600-12620 | PLUG | 1 | | | 0.046 | |
| 170 | 04817-00140 | O RING | 1 | | | 0.002 | |
| 180 | 01311-10820 | BOLT HEX-SOC-HD | 4 | | | 0.026 | |
| 190 | 01311-10835 | BOLT HEX-SOC-HD | 1 | | | 0.044 | |
| 200 | 08101-06804 | BEARING BALL | 1 | | | 0.022 | |
| 220 | 66363-39560 | SEAL OIL | 1 | | | 0.022 | |
| 230 | 04611-00350 | CIR CLIP INTERNAL | 1 | | | 0.006 | |
| 240 | 01350-10412 | BOLT HEX-SOC-HD | 1 | | | 0 | |
| 250 | 04612-00190 | CIR CLIP EXTERNAL | 1 | | | 0.002 | |
| 260 | TC230-58300 | ASSY PLUG | 1 | | | 0 | |
| 270 | 5H550-19830 | PLUG | 1 | | | 0.011 | |
| 280 | 04817-00080 | O RING | 1 | | | 0.002 | |
| 290 | TC230-58200 | GASKET REGULATOR | 1 | | | 0 | |
| 300 | TC230-59550 | ASSY LEVER REGULATOR | 1 | | | 0 | |
| 310 | 01350-10520 | BOLT HEX-SOC-HD | 1 | | | 0.008 | |

HST (HI-LO AND SOLENOID VALVE) [COMPONENT PARTS]

Figure Num 01C40303



HST (HI-LO AND SOLENOID VALVE) [COMPONENT PARTS]

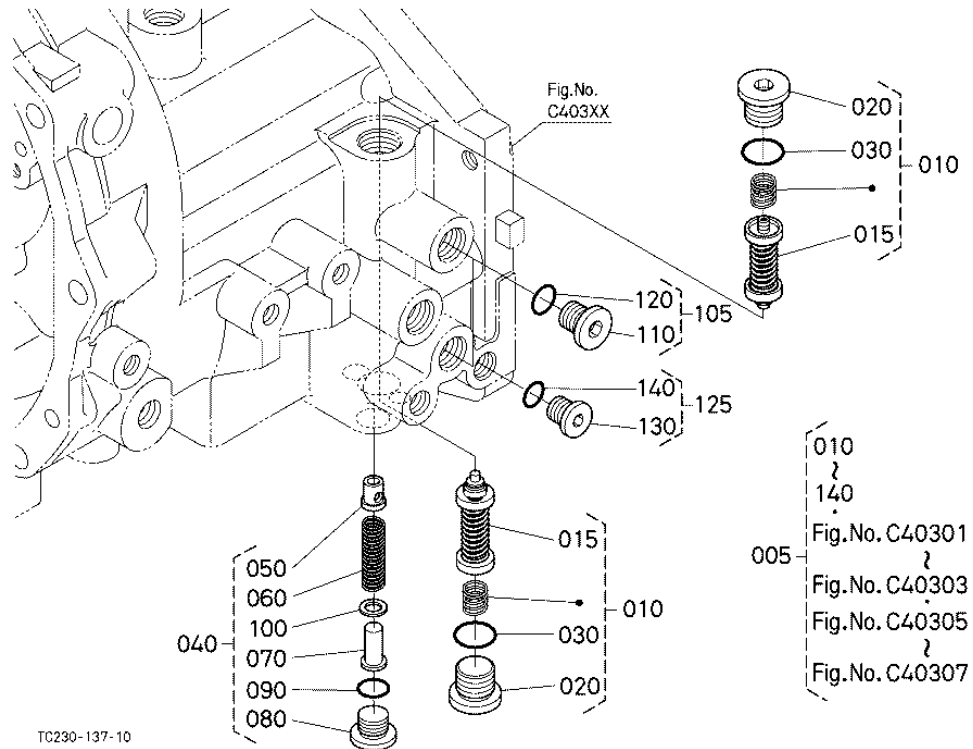
| Ref | Part Number | Part Name | Qty | IC | S/N | Lbs | Remarks |
|-----|-------------|----------------|-----|----|-----|-------|---------|
| 005 | TC230-59990 | ASSY HST | 1 | | | 0 | |
| 010 | TC230-58400 | ASSY VALVE HST | 1 | | | 0 | |
| 020 | TC230-58430 | SPRING | 1 | | | 0.026 | |
| 030 | TD170-59640 | SHIM | 1 | | | 0.002 | 0.2mm |
| 030 | TD170-59630 | SHIM | 1 | | | 0.002 | 0.5mm |
| 040 | TC230-58210 | ASSY PLUG | 2 | | | 0 | |
| 050 | 5H600-12620 | PLUG | 2 | | | 0.046 | |

HST (HI-LO AND SOLENOID VALVE) [COMPONENT PARTS]

| Ref | Part Number | Part Name | Qty | IC | S/N | Lbs | Remarks |
|-----|-------------|------------|-----|----|-----|-------|---------|
| 060 | 04817-00140 | O RING | 2 | | | 0.002 | |
| 070 | RC348-72690 | ORIFICE | 1 | | | 0.004 | |
| 080 | 15521-96020 | PLUG | 2 | | | 0.006 | |
| 090 | TD170-58210 | PLUG | 1 | | | 0 | |
| 100 | TC230-58440 | BOLT JOINT | 1 | | | 0.319 | |
| 110 | 04817-00210 | O RING | 2 | | | 0.004 | |
| 120 | TC230-58450 | BOLT JOINT | 1 | | | 0.187 | |
| 130 | 04816-05170 | O RING | 2 | | | 0.002 | |

HST (RELIEF VALVE) [COMPONENT PARTS]

Figure Num 01C40304



HST (RELIEF VALVE) [COMPONENT PARTS]

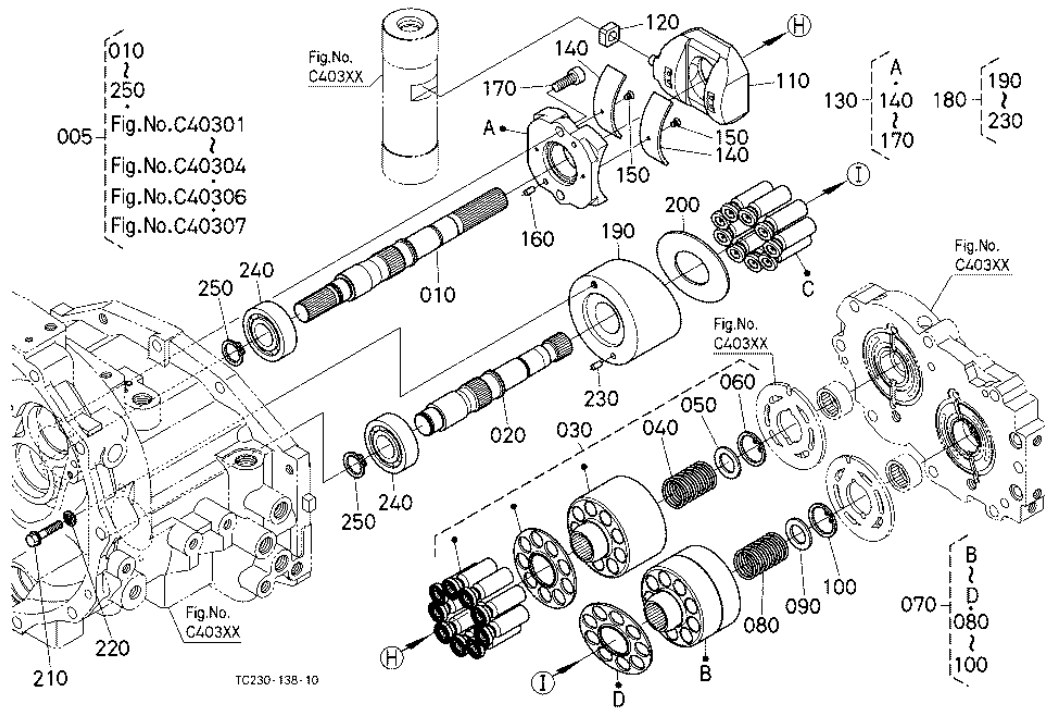
| Ref | Part Number | Part Name | Qty | IC | S/N | Lbs | Remarks |
|-----|-------------|-------------------|-----|----|-----|-------|---------|
| 005 | TC230-59990 | ASSY HST | 1 | | | 0 | |
| 010 | TD170-59010 | ASSY VALVE RELIEF | 2 | | | 0.187 | |
| 015 | TD170-59050 | COMP.VALVE RELIEF | 2 | | | 0.092 | |
| 020 | 5H600-11820 | PLUG | 2 | | | 0.011 | |
| 030 | 04817-00180 | O RING | 2 | | | 0.006 | |
| 040 | TD170-59600 | ASSY VALVE | 1 | | | 0.11 | |
| 050 | TD170-58960 | POPPET | 1 | | | 0 | |

HST (RELIEF VALVE) [COMPONENT PARTS]

| Ref | Part Number | Part Name | Qty | IC | S/N | Lbs | Remarks |
|-----|-------------|-----------|-----|----|-----|-------|---------|
| 060 | TD170-59610 | SPRING | 1 | | | 0 | |
| 070 | TD170-59620 | HOLDER | 1 | | | 0 | |
| 080 | 5H600-12620 | PLUG | 1 | | | 0.046 | |
| 090 | 04817-00140 | O RING | 1 | | | 0.002 | |
| 100 | TD170-59630 | SHIM | 1 | | | 0.002 | 0.5mm |
| 100 | TD170-59640 | SHIM | 1 | | | 0.002 | 0.2mm |
| 105 | TC230-58210 | ASSY PLUG | 2 | | | 0 | |
| 110 | 5H600-12620 | PLUG | 2 | | | 0.046 | |
| 120 | 04817-00140 | O RING | 2 | | | 0.002 | |
| 125 | TC230-58310 | ASSY PLUG | 1 | | | 0 | |
| 130 | K7021-39870 | PLUG | 1 | | | 0 | |
| 140 | 04817-00110 | O RING | 1 | | | 0.002 | |

HST (CYLINDER BLOCK) [COMPONENT PARTS]

Figure Num 01C40305



HST (CYLINDER BLOCK) [COMPONENT PARTS]

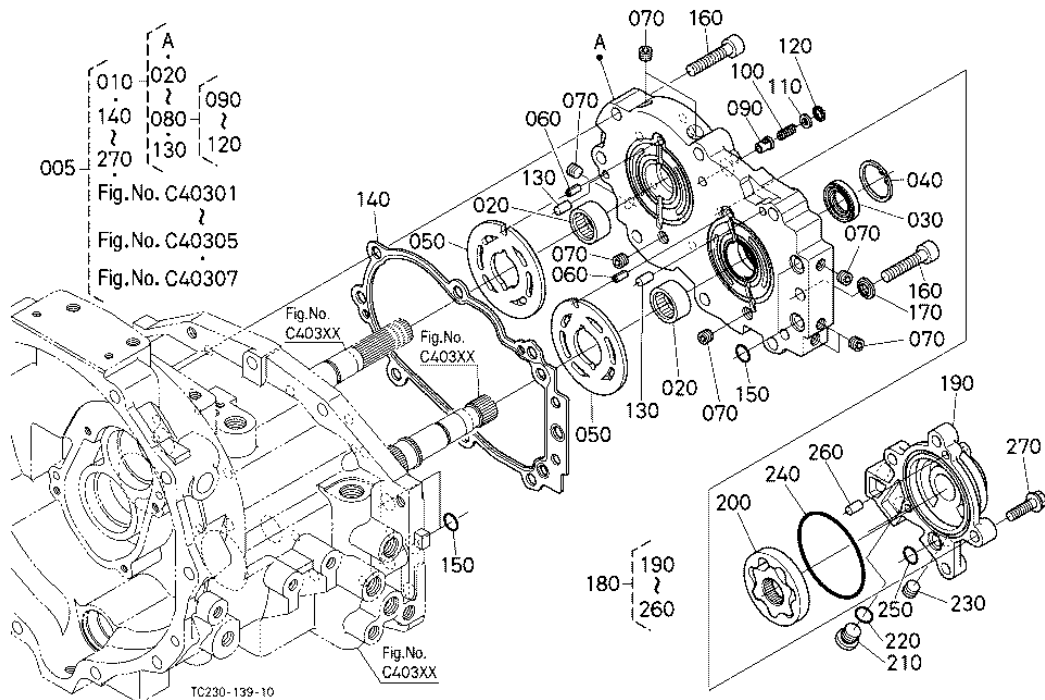
| Ref | Part Number | Part Name | Qty | IC | S/N | Lbs | Remarks |
|-----|-------------|-------------------|-----|----|-----|-------|---------|
| 005 | TC230-59990 | ASSY HST | 1 | | | 0 | |
| 010 | TC230-58120 | SHAFT | 1 | | | 0 | |
| 020 | TC230-58130 | SHAFT | 1 | | | 2.167 | |
| 030 | TC230-58500 | ASSY ROTARY PUMP | 1 | | | 0 | |
| 040 | 58700-11140 | SPRING | 1 | | | 0.165 | |
| 050 | 58700-11130 | HOLDER SPRING | 1 | | | 0.022 | |
| 060 | 04611-00370 | CIR CLIP INTERNAL | 1 | | | 0.008 | |

HST (CYLINDER BLOCK) [COMPONENT PARTS]

| Ref | Part Number | Part Name | Qty | IC | S/N | Lbs | Remarks |
|-----|-------------|-------------------|-----|----|-----|-------|---------|
| 070 | TC230-58600 | ASSY ROTARY MOTOR | 1 | | | 0 | |
| 080 | 58700-11140 | SPRING | 1 | | | 0.165 | |
| 090 | 58700-11130 | HOLDER SPRING | 1 | | | 0.022 | |
| 100 | 04611-00370 | CIR CLIP INTERNAL | 1 | | | 0.008 | |
| 110 | TD170-58400 | ASSY SWASH PLATE | 1 | | | 2.86 | |
| 120 | 5H661-11120 | GUIDE | 1 | | | 0.050 | |
| 130 | TD170-58800 | ASSY BRACKET | 1 | | | 2.09 | |
| 140 | TD170-58820 | BEARING CRADLE | 2 | | | 0.066 | |
| 150 | K2581-14240 | SCREW CSK-HD | 2 | | | 0.002 | |
| 160 | K7561-14090 | PIN STRAIGHT | 2 | | | 0.004 | |
| 170 | 01315-11025 | BOLT HEX-SOC-HD | 2 | | | 0.052 | |
| 180 | TC230-58850 | ASSY SWASH PLATE | 1 | | | 0 | |
| 190 | TC230-58860 | SWASH PLATE MOTER | 1 | | | 0 | |
| 200 | 5H661-11420 | PLATE THRUST | 1 | | | 0.099 | |
| 210 | 01754-50835 | BOLT FLANGE | 1 | | | 0.041 | |
| 220 | 31351-16250 | WASHER SEAL | 1 | | | 0.033 | |
| 230 | K7561-14090 | PIN STRAIGHT | 1 | | | 0.004 | |
| 240 | 64441-22170 | BEARING BALL | 2 | | | 0.528 | |
| 250 | 04612-00250 | CIR CLIP EXTERNAL | 2 | | | 0.004 | |

HST (CHARGE PUMP) [COMPONENT PARTS]

Figure Num 01C40306



HST (CHARGE PUMP) [COMPONENT PARTS]

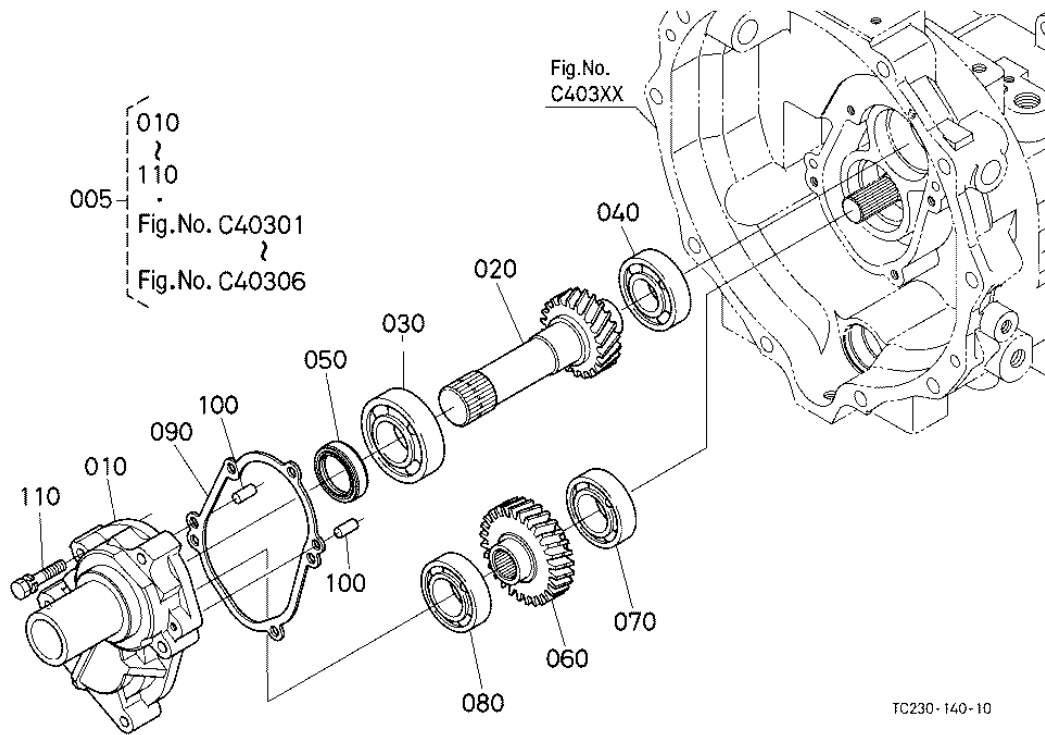
| Ref | Part Number | Part Name | Qty | IC | S/N | Lbs | Remarks |
|-----|-------------|----------------------|-----|----|-----|-------|---------|
| 005 | TC230-59990 | ASSY HST | 1 | | | 0 | |
| 010 | TC230-58900 | ASSY COVER PORTBLOCK | 1 | | | 0 | |
| 020 | 5H661-11040 | BEARING NEEDLE | 2 | | | 0.114 | |
| 030 | TD170-58920 | SEAL OIL | 1 | | | 0.022 | |
| 040 | 04611-00400 | CIR CLIP INTERNAL | 1 | | | 0.008 | |
| 050 | TD170-58560 | PLATE VALVE | 2 | | | 0 | |
| 060 | 05411-00612 | PIN SPRING | 2 | | | 0.004 | |

HST (CHARGE PUMP) [COMPONENT PARTS]

| Ref | Part Number | Part Name | Qty | IC | S/N | Lbs | Remarks |
|-----|-------------|--------------------|-----|----|-----|-------|---------|
| 070 | K7001-39620 | PLUG | 8 | | | 0.011 | |
| 080 | TD170-58950 | ASSY VALVE | 1 | | | 0.022 | |
| 090 | TD170-58960 | POPPET | 1 | | | 0 | |
| 100 | 66363-39720 | SPRING L | 1 | | | 0.006 | |
| 110 | 66363-39740 | WASHER | 1 | | | 0.002 | |
| 120 | 04611-00180 | CIR CLIP INTERNAL | 1 | | | 0.002 | |
| 130 | K7561-11180 | PIN STRAIGHT | 2 | | | 0.011 | |
| 140 | TD170-58190 | GASKET HST | 1 | | | 0.048 | |
| 150 | 04817-00140 | O RING | 4 | | | 0.002 | |
| 160 | 01370-11250 | BOLT HEX-SOC-HD | 8 | | | 0.132 | |
| 170 | 04717-01200 | WASHER WITH RUBBER | 1 | | | 0.004 | |
| 180 | TD170-59500 | ASSY PUMP | 1 | | | 1.892 | |
| 190 | TD170-59510 | CASE CHARGE PUMP | 1 | | | 0 | |
| 200 | TD170-59520 | ROTOR | 1 | | | 0 | |
| 210 | 5H600-12620 | PLUG | 1 | | | 0.046 | |
| 220 | 04817-00140 | O RING | 1 | | | 0.002 | |
| 230 | K7001-39620 | PLUG | 1 | | | 0.011 | |
| 240 | 04811-50850 | O RING | 1 | | | 0.006 | |
| 250 | 04817-00140 | O RING | 1 | | | 0.002 | |
| 260 | K7561-11180 | PIN STRAIGHT | 2 | | | 0.011 | |
| 270 | 01774-51030 | BOLT FLANGE | 4 | | | 0.044 | |

HST (INPUT SHAFT) [COMPONENT PARTS]

Figure Num 01C40307



TC230-140-10

HST (INPUT SHAFT) [COMPONENT PARTS]

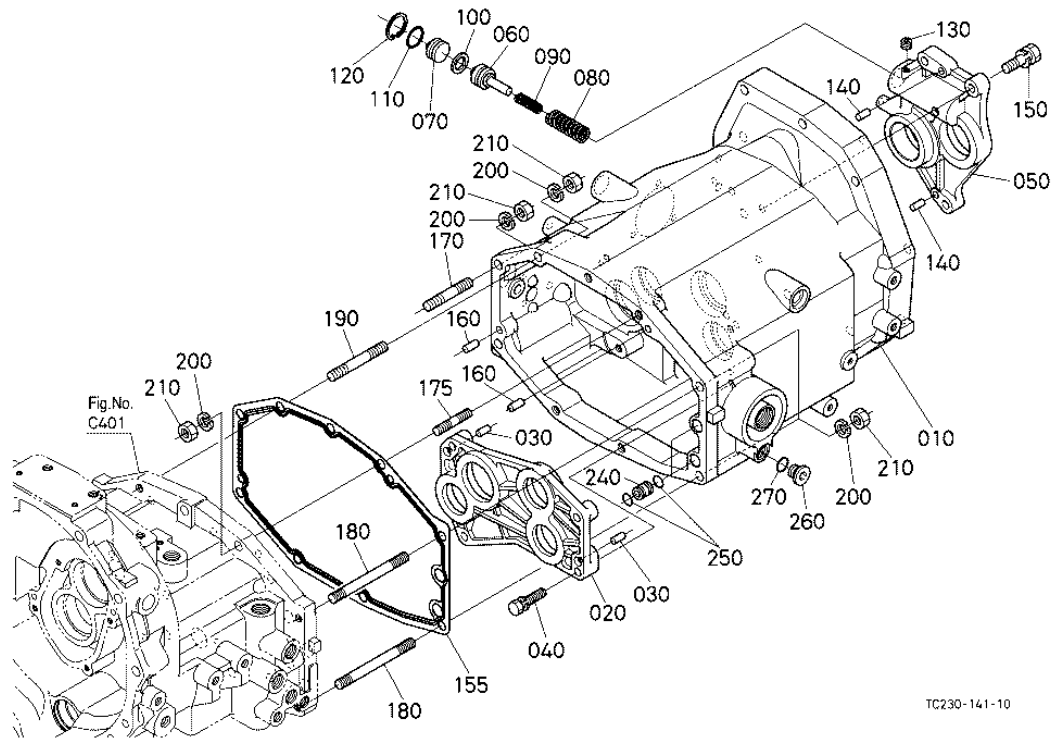
| Ref | Part Number | Part Name | Qty | IC | S/N | Lbs | Remarks |
|-----|-------------|----------------------|-----|----|-----|-------|---------|
| 005 | TC230-59990 | ASSY HST | 1 | | | 0 | |
| 010 | TD060-51102 | CASE PROPELLER SHAFT | 1 | | | 1.815 | |
| 020 | TD150-51400 | GEAR-SHAFT INPUT | 1 | | | 3.432 | 23T |
| 030 | 08101-06207 | BEARING BALL | 1 | | | 0.616 | |
| 040 | 08101-06206 | BEARING BALL | 1 | | | 0.431 | |
| 050 | TD170-51390 | SEAL OIL | 1 | | | 0.044 | |
| 060 | TD150-52200 | GEAR HST | 1 | | | 1.727 | 27T |

HST (INPUT SHAFT) [COMPONENT PARTS]

| Ref | Part Number | Part Name | Qty | IC | S/N | Lbs | Remarks |
|-----|-------------|--------------|-----|----|-----|-------|---------|
| 070 | 36920-40090 | BEARING BALL | 1 | | | 0.22 | |
| 080 | 08101-06007 | BEARING BALL | 1 | | | 0.352 | |
| 090 | TD060-51113 | GASKET | 1 | | | 0.011 | |
| 100 | 05012-00818 | PIN STRAIGHT | 2 | | | 0.028 | |
| 110 | 01123-50845 | BOLT | 5 | | | 0.044 | |

MID CASE

Figure Num 01C410



TC230-141-10

MID CASE

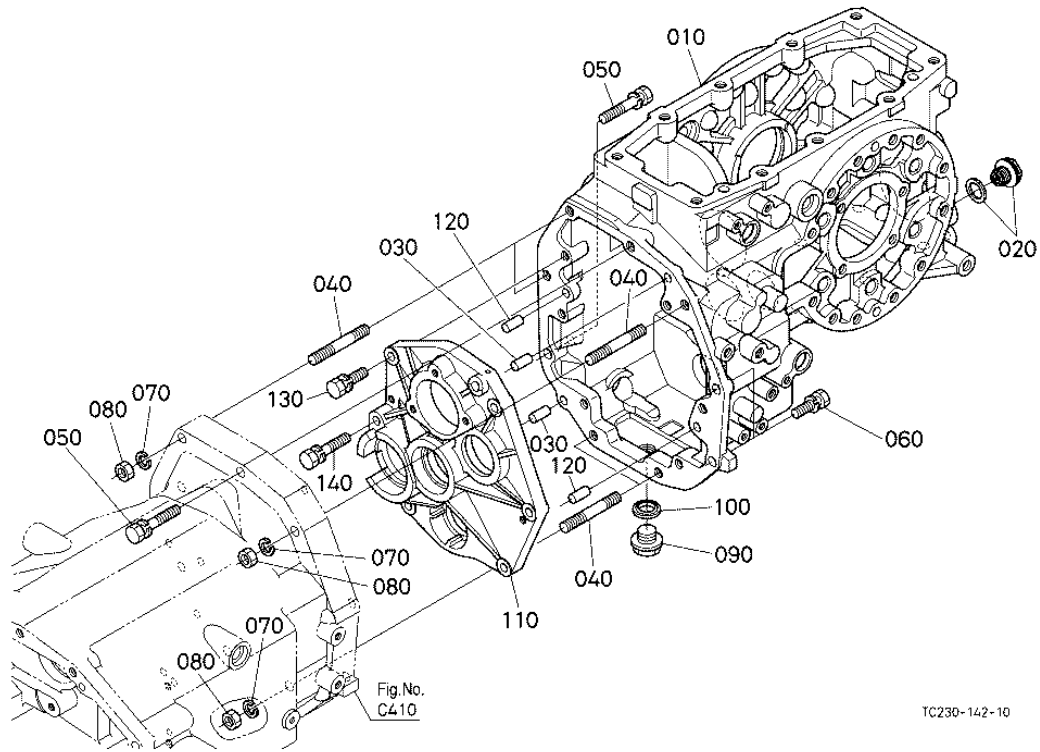
| Ref | Part Number | Part Name | Qty | IC | S/N | Lbs | Remarks |
|-----|-------------|----------------|-----|----|-----|-------|---------|
| 010 | TC230-50320 | CASE MID HST | 1 | | | 0 | |
| 020 | TC230-50330 | HOLDER BEARING | 1 | | | 1.672 | |
| 030 | 05012-00818 | PIN STRAIGHT | 2 | | | 0.028 | |
| 040 | 01133-51040 | BOLT | 4 | | | 0.066 | |
| 050 | TC230-51350 | HOLDER BEARING | 1 | | | 5.5 | |
| 060 | TA040-69210 | PISTON | 1 | | | 0.198 | |
| 070 | TA040-69220 | COVER | 1 | | | 0.132 | |

MID CASE

| Ref | Part Number | Part Name | Qty | IC | S/N | Lbs | Remarks |
|-----|-------------|-------------------|-----|----|-----|-------|---------|
| 080 | TA040-69230 | SPRING | 1 | | | 0.085 | |
| 090 | TA040-69240 | SPRING | 1 | | | 0.052 | |
| 100 | 34076-65170 | SEAL PISTON | 1 | | | 0.011 | |
| 110 | 04816-06230 | O RING | 1 | | | 0.004 | |
| 120 | 04611-00280 | CIR CLIP INTERNAL | 1 | | | 0.004 | |
| 130 | 32420-67380 | PLUG | 1 | | | 0.011 | |
| 140 | 05012-00818 | PIN STRAIGHT | 2 | | | 0.028 | |
| 150 | 01133-51040 | BOLT | 3 | | | 0.066 | |
| 155 | TD170-50290 | GASKET MID CASE | 1 | | | 0.050 | |
| 160 | 05012-01018 | PIN STRAIGHT | 2 | | | 0.026 | |
| 170 | 35340-14182 | STUD | 5 | | | 0.11 | |
| 175 | TC230-50310 | STUD | 1 | | | 0.099 | |
| 180 | 35378-15060 | STUD | 2 | | | 0.22 | |
| 190 | 35340-27380 | STUD | 1 | | | 0.176 | |
| 200 | 04512-60120 | WASHER SPRING | 9 | | | 0.011 | |
| 210 | 35340-27360 | NUT | 9 | | | 0.033 | |
| 240 | TD170-50280 | PIPE HST CHARGE | 2 | | | 0.037 | |
| 250 | 04817-00120 | O RING | 4 | | | 0.002 | |
| 260 | 5H600-12620 | PLUG | 1 | | | 0.046 | |
| 270 | 04817-00140 | O RING | 1 | | | 0.002 | |

TRANSMISSION CASE

Figure Num 01C420



TC230-142-10

TRANSMISSION CASE

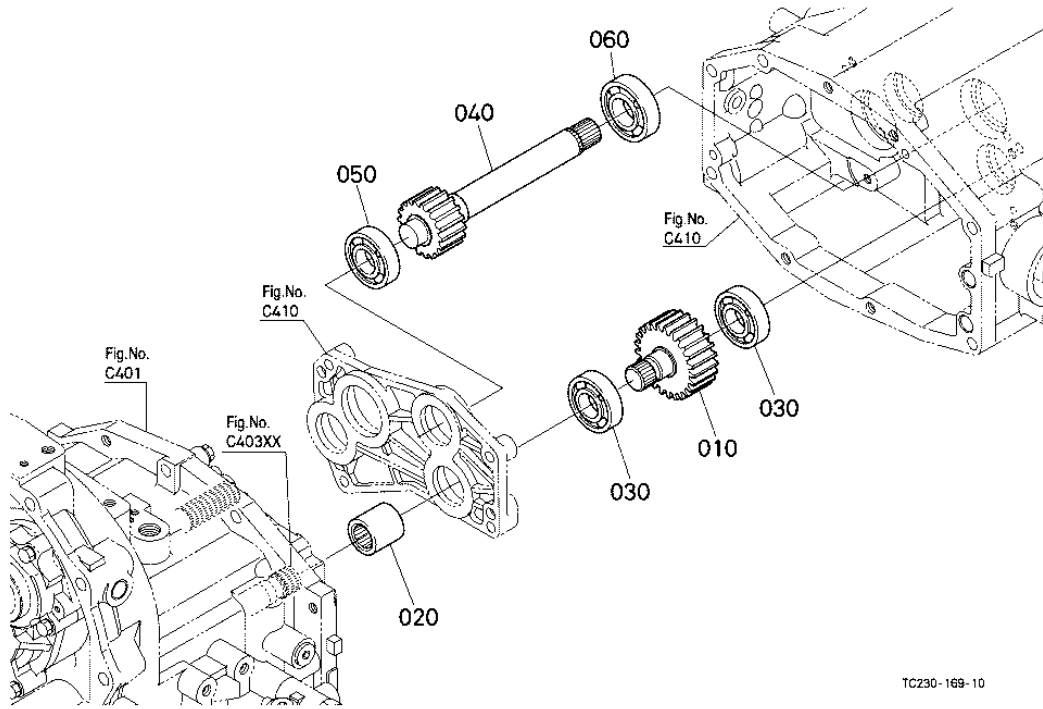
| Ref | Part Number | Part Name | Qty | IC | S/N | Lbs | Remarks |
|-----|-------------|-------------------|-----|----|-----|-------|---------|
| 010 | TC230-50422 | CASE TRANSMISSION | 1 | | | 0 | |
| 020 | TC230-14612 | GAUGE OIL | 1 | | | 0.011 | |
| 030 | 05012-01018 | PIN STRAIGHT | 2 | | | 0.026 | |
| 040 | 01574-61260 | STUD | 5 | | | 0.11 | |
| 050 | 01133-51260 | BOLT | 2 | | | 0.132 | |
| 060 | 01133-51235 | BOLT | 2 | | | 0.094 | |
| 070 | 04512-60120 | WASHER SPRING | 5 | | | 0.011 | |

TRANSMISSION CASE

| Ref | Part Number | Part Name | Qty | IC | S/N | Lbs | Remarks |
|-----|-------------|--------------------|-----|----|-----|-------|---------|
| 080 | 02176-50120 | NUT | 5 | | | 0.022 | |
| 090 | 15512-96010 | PLUG DRAIN | 1 | | | 0.222 | |
| 100 | 04717-02150 | WASHER WITH RUBBER | 1 | | | 0.008 | |
| 110 | TC230-50450 | HOLDER BEARING | 1 | | | 11.22 | |
| 120 | 05012-01018 | PIN STRAIGHT | 2 | | | 0.026 | |
| 130 | 01133-51040 | BOLT | 5 | | | 0.066 | |
| 140 | 01133-51060 | BOLT | 1 | | | 0.092 | |

COUNTERSHAFT

Figure Num 01D105



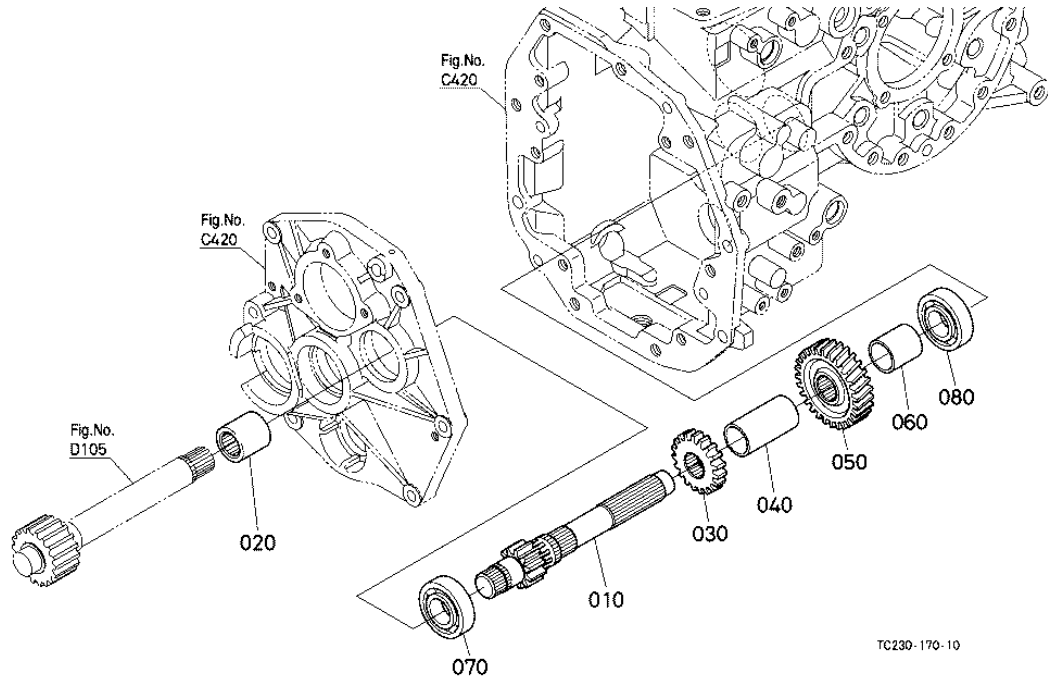
TC230-169-10

COUNTERSHAFT

| Ref | Part Number | Part Name | Qty | IC | S/N | Lbs | Remarks |
|-----|-------------|--------------|-----|----|-----|-------|---------|
| 010 | TC230-52402 | GEAR-SHAFT | 1 | | | 0 | 25T |
| 020 | 37150-21682 | COUPLING | 1 | | | 0.528 | |
| 030 | 37410-57190 | BEARING BALL | 2 | | | 0.308 | |
| 040 | TC230-52500 | GEAR-SHAFT | 1 | | | 3.454 | 18T |
| 050 | 37410-57190 | BEARING BALL | 1 | | | 0.308 | |
| 060 | 08101-06206 | BEARING BALL | 1 | | | 0.431 | |

RANGE GEAR SHAFT

Figure Num 01D117



RANGE GEAR SHAFT

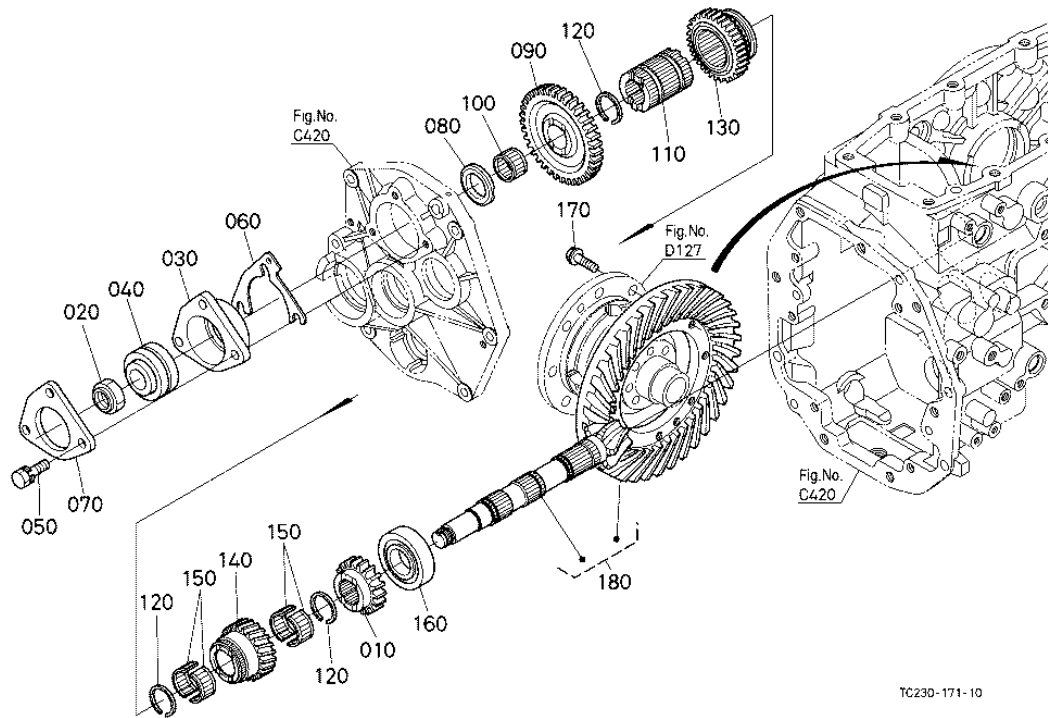
| Ref | Part Number | Part Name | Qty | IC | S/N | Lbs | Remarks |
|-----|-------------|--------------|-----|----|-----|-------|---------|
| 010 | TC230-52600 | GEAR-SHAFT | 1 | | | 2.409 | 11T |
| 020 | TD060-22670 | COUPLING | 1 | | | 0.352 | |
| 030 | TC220-52520 | GEAR | 1 | | | 0.495 | 19T |
| 040 | TC230-52540 | COLLAR | 1 | | | 0.319 | |
| 050 | TC230-52530 | GEAR | 1 | | | 1.342 | 28T |
| 060 | TC230-52550 | COLLAR | 1 | | | 0.180 | |
| 070 | 08101-06305 | BEARING BALL | 1 | | | 0.506 | |

RANGE GEAR SHAFT

| Ref | Part Number | Part Name | Qty | IC | S/N | Lbs | Remarks |
|-----|-------------|--------------|-----|----|-----|-------|---------|
| 080 | 67121-56770 | BEARING BALL | 1 | | | 0.279 | |

SPIRAL BEVEL PINION

Figure Num 01D125



TC230-171-10

SPIRAL BEVEL PINION

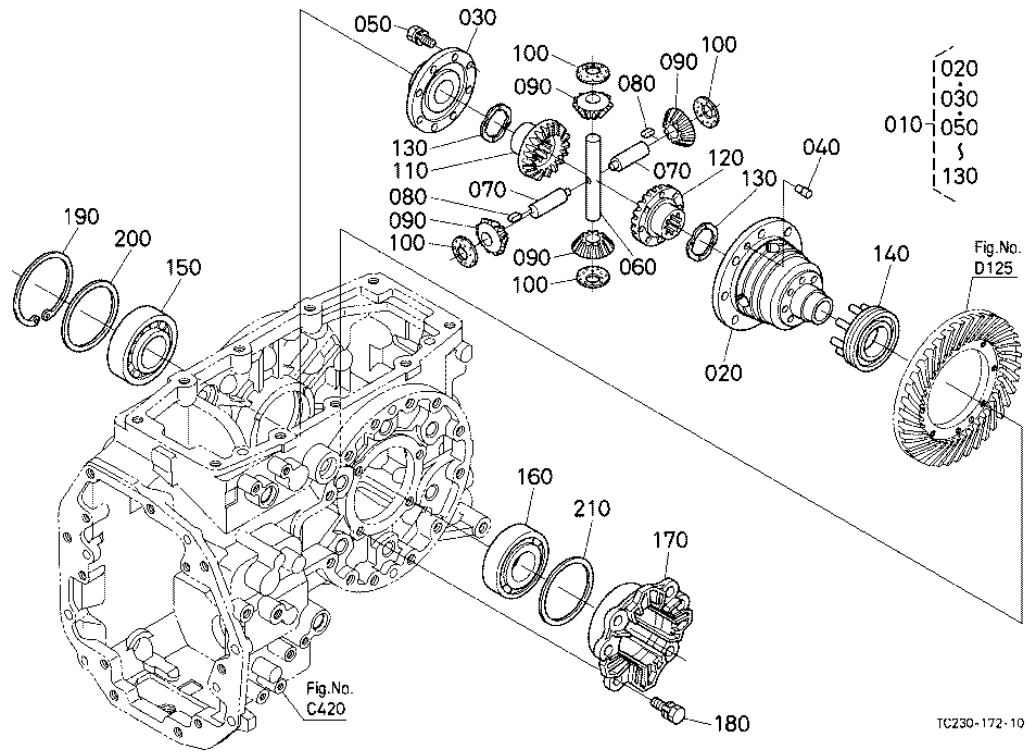
| Ref | Part Number | Part Name | Qty | IC | S/N | Lbs | Remarks |
|-----|-------------|----------------------|-----|----|-----|-------|---------|
| 010 | TC230-55110 | GEAR 4WD | 1 | | | 0.88 | 18T |
| 020 | 35260-23252 | NUT | 1 | | | 0.088 | |
| 030 | 34070-22772 | CASE | 1 | | | 1.045 | |
| 040 | T0330-22200 | BEARING TAPER-ROLLER | 1 | | | 1.265 | |
| 050 | 01133-51040 | BOLT | 3 | | | 0.066 | |
| 060 | 34070-22860 | SHIM | 2 | | | 0.033 | 0.5mm |
| 060 | 34070-22870 | SHIM | 4 | | | 0.008 | 0.2mm |

SPIRAL BEVEL PINION

| Ref | Part Number | Part Name | Qty | IC | S/N | Lbs | Remarks |
|-----|-------------|-------------------|-----|----|-----|-------|---------|
| 060 | 34070-22880 | SHIM | 2 | | | 0.011 | 0.1mm |
| 070 | 34070-22780 | COVER BEARING | 1 | | | 0.462 | |
| 080 | 32420-67662 | COLLAR THRUST | 1 | | | 0.011 | |
| 090 | TC230-52610 | GEAR | 1 | | | 1.991 | 37T |
| 100 | TD060-52640 | BEARING NEEDLE | 1 | | | 0.055 | |
| 110 | TD060-52710 | BOSS SPLINE | 1 | | | 1.243 | |
| 120 | T1060-22882 | CIR CLIP EXTERNAL | 3 | | | 0.011 | |
| 130 | TC220-52620 | GEAR SLIDE | 1 | | | 1.672 | 31T |
| 140 | TC230-52630 | GEAR | 1 | | | 1.65 | 22T |
| 150 | T1060-22870 | BEARING NEEDLE | 2 | | | 0.044 | |
| 160 | 34070-22740 | BEARING ROLLER | 1 | | | 1.122 | |
| 170 | 37800-43870 | BOLT | 8 | | | 0.057 | |
| 180 | TC230-99840 | ASSY GEAR BEVEL | 1 | | | 0 | 6-37T |

REAR DIFFERENTIAL

Figure Num 01D127



REAR DIFFERENTIAL

| Ref | Part Number | Part Name | Qty | IC | S/N | Lbs | Remarks |
|-----|-------------|-------------------|-----|----|-----|-------|---------|
| 010 | 3A011-32204 | ASSY DIFFERENTIAL | 1 | | | 13.64 | |
| 020 | 3A011-32710 | CASE DIFFERENTIAL | 1 | | | 7.37 | |
| 030 | 3A011-32044 | COVER DIFF.CASE | 1 | | | 1.749 | |
| 040 | T1270-28170 | PIN STRAIGHT | 2 | | | 0.055 | |
| 050 | 01133-51025 | BOLT | 8 | | | 0.050 | |
| 060 | 35430-26340 | SHAFT DIFF.PINION | 1 | | | 0.682 | |
| 070 | 35430-26330 | SHAFT DIFF.PINION | 2 | | | 0.299 | |

REAR DIFFERENTIAL

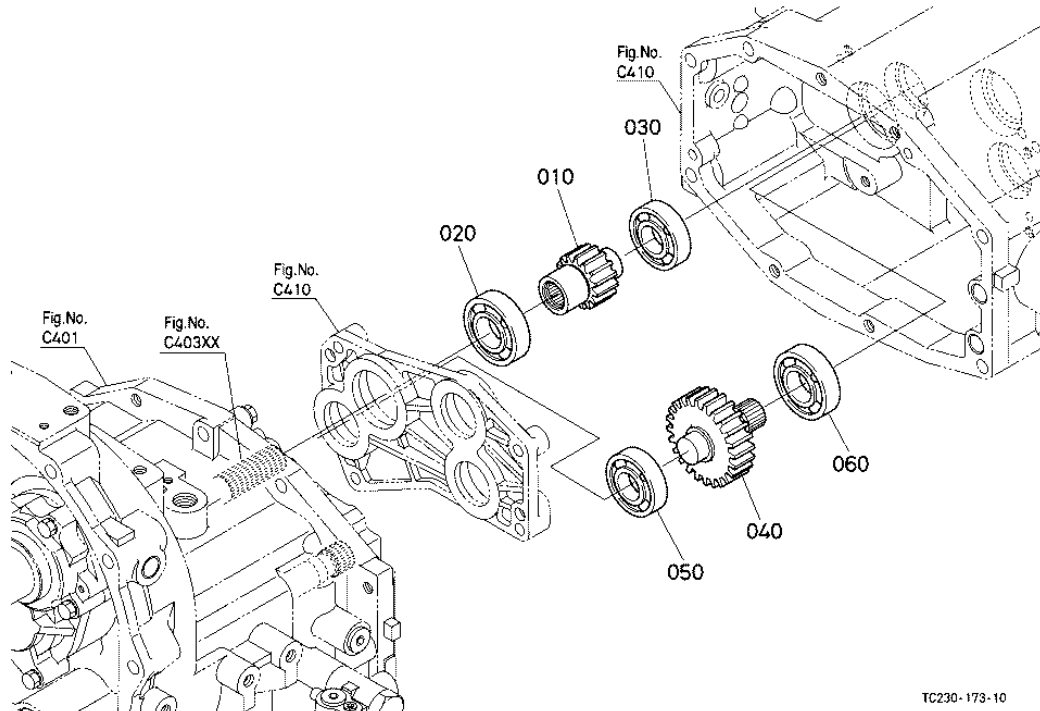
| Ref | Part Number | Part Name | Qty | IC | S/N | Lbs | Remarks |
|-----|-------------|----------------------|-----|----|-----|-------|---------|
| 080 | 31220-26280 | KEY FEATHER | 2 | | | 0.004 | |
| 090 | 35430-26350 | PINION DIFF. | 4 | | | 0.352 | 12T |
| 100 | 31351-26390 | WASHER DIFF.PINION | 4 | | | 0.026 | |
| 110 | 37300-26430 | GEAR DIFF.SIDE RH | 1 | | | 1.045 | 20T |
| 120 | 37300-26440 | GEAR DIFF.SIDE LH | 1 | | | 1.353 | 20T |
| 130 | 31351-26470 | WASHER SIDE GEAR | 2 | | | 0.022 | 1.5mm |
| 130 | 31351-26480 | WASHER SIDE GEAR | 2 | | | 0.033 | 1.6mm |
| 130 | 31351-26490 | WASHER SIDE GEAR | 2 | | | 0.035 | 1.7mm |
| 130 | 3A011-32760 | COLLAR THRUST | 2 | | | 0.022 | 1.8mm |
| 130 | 3A011-32780 | COLLAR THRUST | 2 | | | 0.022 | 2.0mm |
| 140 | 31351-26610 | SHIFTER DIFF.LOCK | 1 | | | 0.946 | |
| 150 | T0330-26450 | BEARING TAPER-ROLLER | 1 | | | 1.199 | |
| 160 | 08711-30209 | BEARING TAPER-ROLLER | 1 | | | 1.007 | |
| 170 | 34070-28360 | SUPPORT DIFF. | 1 | | | 0.891 | |
| 180 | 01133-51025 | BOLT | 4 | | | 0.050 | |
| 190 | 04611-00900 | CIR CLIP INTERNAL | 1 | | | 0.081 | |
| 200 | 37410-16850 | SHIM DIFFERENTIAL | 1 | | | 0.017 | 0.8mm |
| 200 | 37410-16890 | SHIM DIFFERENTIAL | 1 | | | 0.033 | 1.4mm |
| 200 | 37410-16880 | SHIM DIFFERENTIAL | 1 | | | 0.024 | 1.2mm |
| 200 | 37410-16860 | SHIM DIFFERENTIAL | 1 | | | 0.019 | 0.9mm |
| 200 | 37410-16840 | SHIM DIFFERENTIAL | 1 | | | 0.022 | 0.7mm |
| 200 | 37410-16830 | SHIM DIFFERENTIAL | 1 | | | 0.022 | 0.6mm |
| 200 | 37410-16820 | SHIM DIFFERENTIAL | 1 | | | 0.022 | 0.5mm |
| 200 | 37410-16810 | SHIM DIFFERENTIAL | 1 | | | 0.022 | 0.4mm |
| 200 | 37410-16870 | SHIM DIFFERENTIAL | 1 | | | 0.022 | 1.0mm |
| 210 | 34070-28310 | SHIM | 1 | | | 0.055 | 1.4mm |

REAR DIFFERENTIAL

| Ref | Part Number | Part Name | Qty | IC | S/N | Lbs | Remarks |
|-----|-------------|-----------|-----|----|-----|-------|---------|
| 210 | 34070-28210 | SHIM | 1 | | | 0.022 | 0.4mm |
| 210 | 34070-28230 | SHIM | 1 | | | 0.033 | 0.6mm |
| 210 | 34070-28250 | SHIM | 1 | | | 0.033 | 0.8mm |
| 210 | 34070-28270 | SHIM | 1 | | | 0.033 | 1.0mm |
| 210 | 34070-28290 | SHIM | 1 | | | 0.044 | 1.2mm |

PTO COUNTERSHAFT

Figure Num 01D130



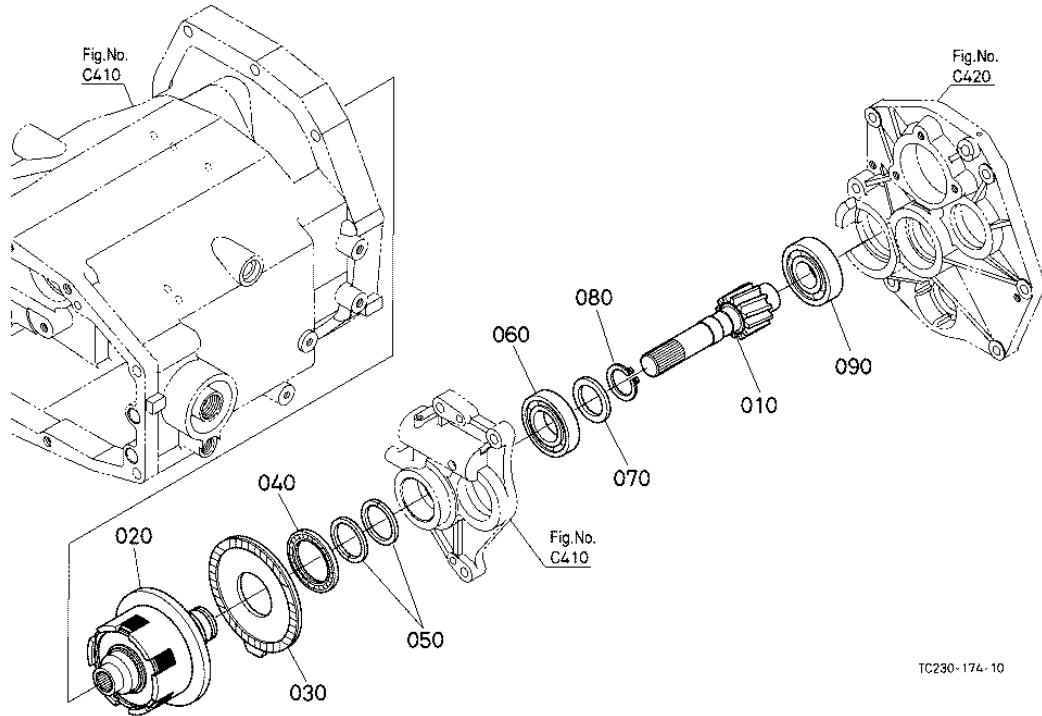
TC230-173-10

PTO COUNTERSHAFT

| Ref | Part Number | Part Name | Qty | IC | S/N | Lbs | Remarks |
|-----|-------------|----------------|-----|----|-----|-------|---------|
| 010 | TC230-53240 | GEAR-SHAFT PTO | 1 | | | 1.056 | 15T |
| 020 | 36920-40090 | BEARING BALL | 1 | | | 0.22 | |
| 030 | 37410-57190 | BEARING BALL | 1 | | | 0.308 | |
| 040 | TC230-53250 | GEAR-SHAFT | 1 | | | 2.266 | 25T |
| 050 | 37410-57190 | BEARING BALL | 1 | | | 0.308 | |
| 060 | 08101-06206 | BEARING BALL | 1 | | | 0.431 | |

PTO CLUTCH

Figure Num 01D132



PTO CLUTCH

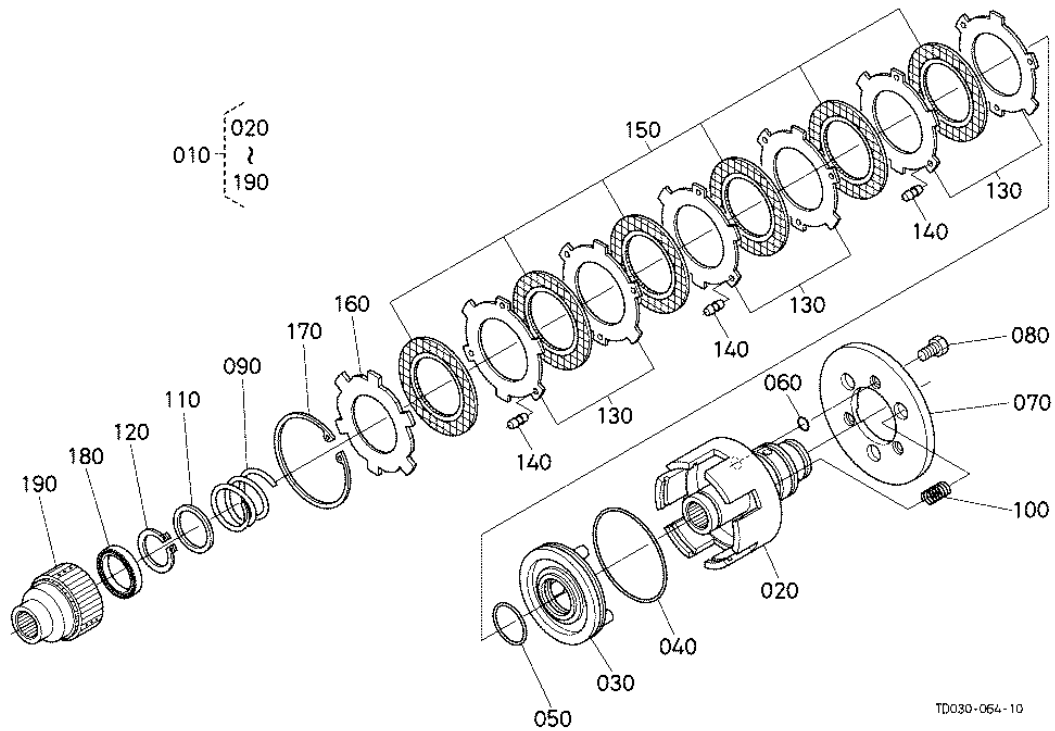
| Ref | Part Number | Part Name | Qty | IC | S/N | Lbs | Remarks |
|-----|-------------|-------------------|-----|----|-----|-------|---------|
| 010 | TC230-53500 | GEAR-SHAFT I-PTO | 1 | | | 2.2 | 12T |
| 020 | TD060-69002 | ASSY CLUTCH I-PTO | 1 | | | 0 | |
| 030 | TA040-69150 | DISK BRAKE | 1 | | | 0.902 | |
| 040 | TA040-69160 | BEARING NEEDLE | 1 | | | 0.063 | |
| 050 | T1853-61510 | SEAL RING | 2 | | | 0.002 | |
| 060 | 08101-06207 | BEARING BALL | 1 | | | 0.616 | |
| 070 | 69331-24330 | COLLAR DISTANCE | 1 | | | 0.026 | |

PTO CLUTCH

| Ref | Part Number | Part Name | Qty | IC | S/N | Lbs | Remarks |
|-----|-------------|-------------------|-----|----|-----|-------|---------|
| 080 | 36740-41150 | CIR CLIP EXTERNAL | 1 | | | 0.022 | |
| 090 | 36540-41130 | BEARING BALL | 1 | | | 0.748 | |

PTO CLUTCH [COMPONENT PARTS]

Figure Num 01D133



PTO CLUTCH [COMPONENT PARTS]

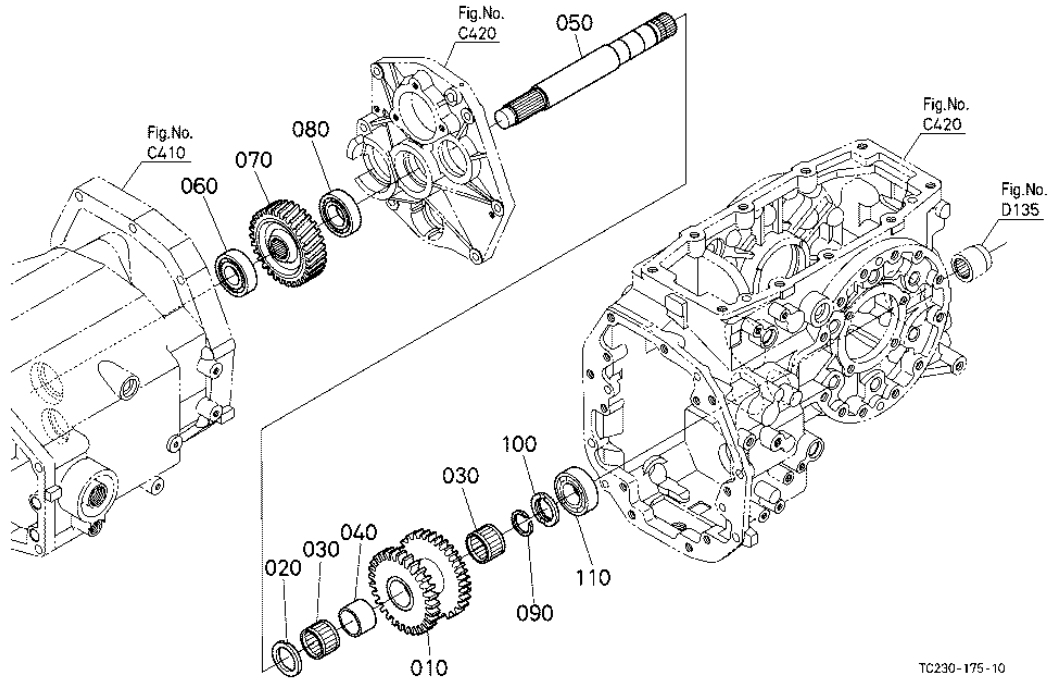
| Ref | Part Number | Part Name | Qty | IC | S/N | Lbs | Remarks |
|-----|-------------|-------------------|-----|----|-----|-------|---------|
| 010 | TD060-69002 | ASSY CLUTCH I-PTO | 1 | | | 0 | |
| 020 | TA040-69012 | CASE PTO CLUTCH | 1 | | | 3.421 | |
| 030 | TA040-69020 | PISTON | 1 | | | 0.869 | |
| 040 | 31501-72330 | D RING OUTER | 1 | | | 0.011 | |
| 050 | 31501-72470 | D RING INNER | 1 | | | 0.002 | |
| 060 | 04816-00100 | O RING | 3 | | | 0.002 | |
| 070 | 3A211-27220 | PLATE BRAKE | 1 | | | 1.408 | |

PTO CLUTCH [COMPONENT PARTS]

| Ref | Part Number | Part Name | Qty | IC | S/N | Lbs | Remarks |
|-----|-------------|-------------------|-----|----|-----|-------|---------|
| 080 | TA040-69040 | BOLT | 3 | | | 0.008 | |
| 090 | TA040-69050 | SPRING RETURN | 1 | | | 0.165 | |
| 100 | TA040-69060 | SPRING RETURN | 3 | | | 0.017 | |
| 110 | PF801-31260 | WASHER | 1 | | | 0.033 | |
| 120 | 04612-00350 | CIR CLIP EXTERNAL | 1 | | | 0.022 | |
| 130 | TA040-69080 | PLATE | 6 | | | 0.079 | |
| 140 | TA040-69090 | RUBBER | 9 | | | 0.002 | |
| 150 | 34070-15250 | DISK CLUTCH | 6 | | | 0.088 | |
| 160 | TA040-69103 | PLATE BACK | 1 | | | 0.264 | |
| 170 | 04611-00920 | CIR CLIP INTERNAL | 1 | | | 0.088 | |
| 180 | 08101-06807 | BEARING BALL | 1 | | | 0.066 | |
| 190 | TA040-69115 | HUB CLUTCH | 1 | | | 0.803 | |

PTO DRIVE SHAFT

Figure Num 01D134



PTO DRIVE SHAFT

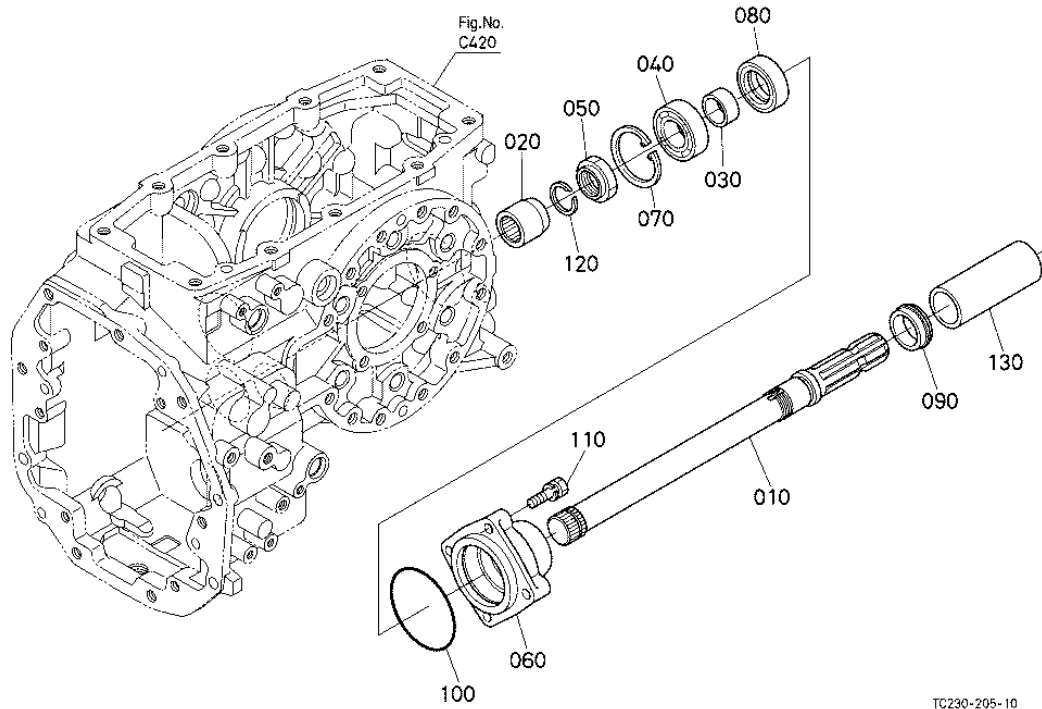
| Ref | Part Number | Part Name | Qty | IC | S/N | Lbs | Remarks |
|-----|-------------|-----------------|-----|----|-----|-------|---------|
| 010 | TC230-15120 | GEAR | 1 | | | 3.872 | 29-31T |
| 020 | 38430-25233 | COLLAR THRUST | 1 | | | 0.044 | |
| 030 | 38430-25670 | BEARING NEEDLE | 2 | | | 0.066 | |
| 040 | TC230-15130 | COLLAR | 1 | | | 0.092 | |
| 050 | TC230-53680 | SHAFT PTO DRIVE | 1 | | | 4.4 | |
| 060 | 35890-41290 | BEARING BALL | 1 | | | 0.512 | |
| 070 | TD060-23610 | GEAR PTO | 1 | | | 4.07 | 30T |

PTO DRIVE SHAFT

| Ref | Part Number | Part Name | Qty | IC | S/N | Lbs | Remarks |
|-----|-------------|---------------|-----|----|-----|-------|---------|
| 080 | 76550-34140 | BEARING BALL | 1 | | | 0.462 | |
| 090 | 37410-15280 | CIR-CLIP | 1 | | | 0.011 | |
| 100 | 34550-23360 | COLLAR THRUST | 1 | | | 0.055 | |
| 110 | 37410-57330 | BEARING BALL | 1 | | | 0.44 | |

PTO SHAFT

Figure Num 01D135



PTO SHAFT

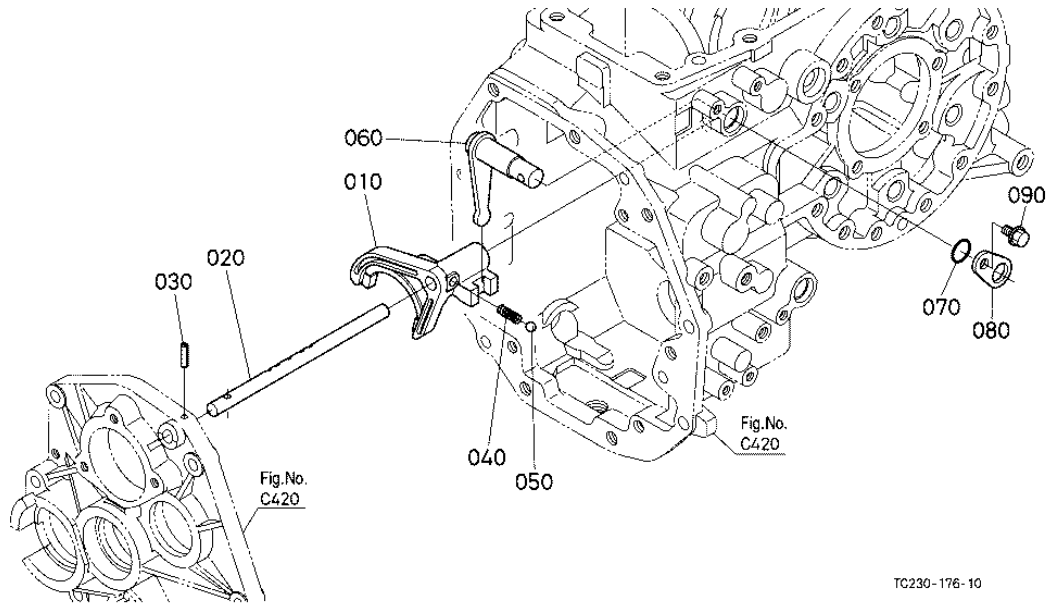
| Ref | Part Number | Part Name | Qty | IC | S/N | Lbs | Remarks |
|-----|-------------|-------------------|-----|----|-----|-------|---------|
| 010 | TA040-23702 | SHAFT PTO | 1 | | | 4.62 | |
| 020 | TD060-23660 | COUPLING PTO | 1 | | | 0.363 | |
| 030 | 35340-25350 | COLLAR OIL SEAL | 1 | | | 0.066 | |
| 040 | TD060-23730 | BEARING BALL | 1 | | | 0.495 | |
| 050 | 35340-25320 | NUT | 1 | | | 0.11 | |
| 060 | TD050-23720 | CASE BEARING | 1 | | | 2.42 | |
| 070 | 04611-00650 | CIR CLIP INTERNAL | 1 | | | 0.024 | |

PTO SHAFT

| Ref | Part Number | Part Name | Qty | IC | S/N | Lbs | Remarks |
|-----|-------------|-------------------|-----|----|-----|-------|---------|
| 080 | 35340-25360 | SEAL OIL | 1 | | | 0.052 | |
| 090 | 38240-25370 | SLINGER | 1 | | | 0.008 | |
| 100 | 04811-50800 | O RING | 1 | | | 0.006 | |
| 110 | 01123-50840 | BOLT | 4 | | | 0.039 | |
| 120 | 38430-25540 | CIR CLIP EXTERNAL | 1 | | | 0.008 | |
| 130 | 31220-25820 | CAP | 1 | | | 0.121 | |

RANGE GEAR SHIFT FORK

Figure Num 01D217



RANGE GEAR SHIFT FORK

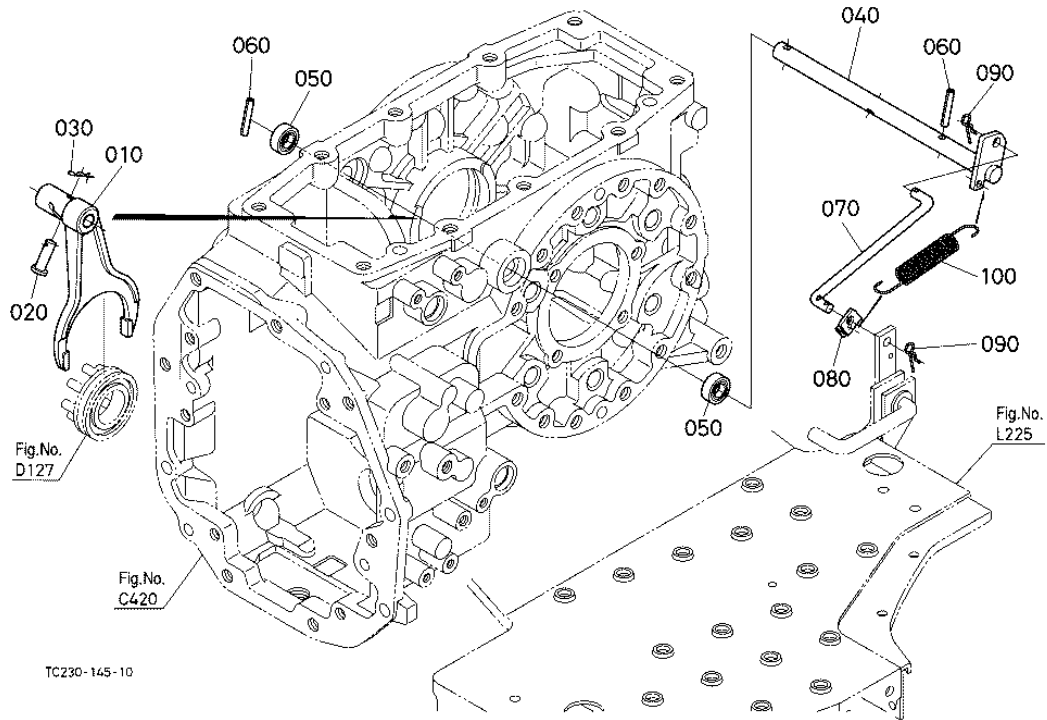
| Ref | Part Number | Part Name | Qty | IC | S/N | Lbs | Remarks |
|-----|-------------|------------------|-----|----|-----|-------|---------|
| 010 | TD060-54500 | FORK RANGE SHIFT | 1 | | | 0.462 | |
| 020 | TC230-54412 | ROD RANGE SHIFT | 1 | | | 0 | |
| 030 | 05411-00522 | PIN SPRING | 1 | | | 0.004 | |
| 040 | 32530-23730 | SPRING | 1 | | | 0.002 | |
| 050 | 07715-01605 | BALL | 1 | | | 0.006 | |
| 060 | TD060-54420 | ARM SHIFT | 1 | | | 0.55 | |
| 070 | 04816-00200 | O RING | 1 | | | 0.006 | |

RANGE GEAR SHIFT FORK

| Ref | Part Number | Part Name | Qty | IC | S/N | Lbs | Remarks |
|------------|--------------------|------------------|------------|-----------|------------|------------|----------------|
| 080 | 34070-24350 | STOPPER | 1 | | | 0.044 | |
| 090 | 01754-50812 | BOLT FLANGE | 1 | | | 0.022 | |

DIFFERENTIAL LOCK SHIFT FORK

Figure Num 01D225



DIFFERENTIAL LOCK SHIFT FORK

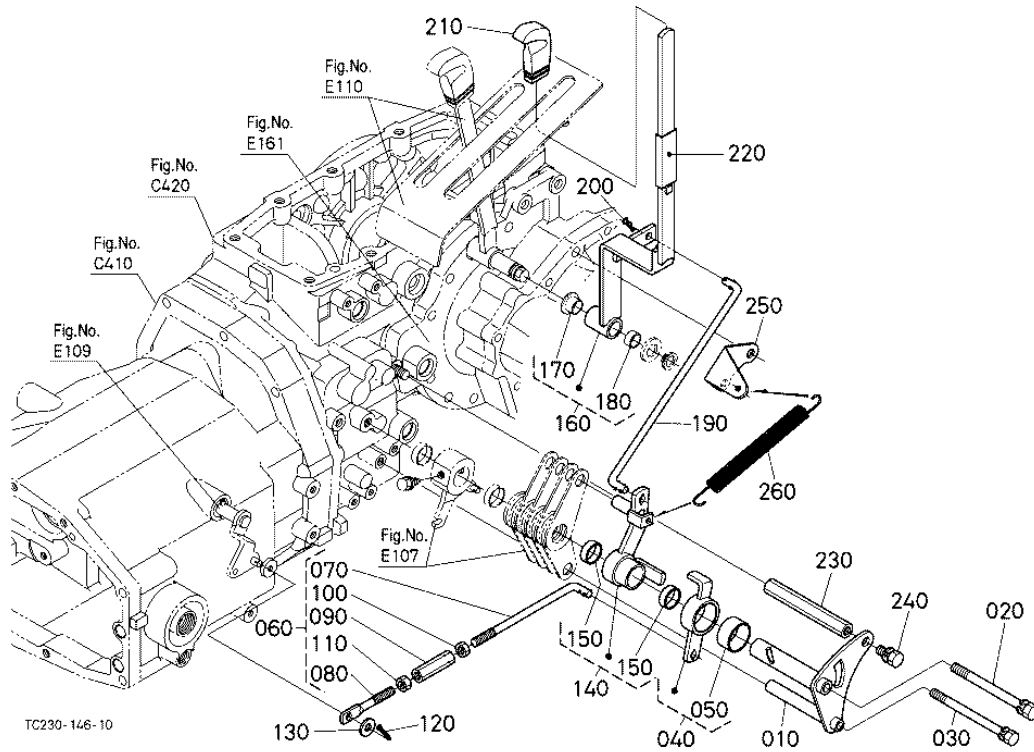
| Ref | Part Number | Part Name | Qty | IC | S/N | Lbs | Remarks |
|-----|-------------|----------------------|-----|----|-----|-------|---------|
| 010 | 31351-26632 | FORK DIFF.LOCK SHIFT | 1 | | | 1.023 | |
| 020 | 31351-26620 | PIN JOINT | 1 | | | 0.017 | |
| 030 | 50080-34110 | PIN SNAP | 1 | | | 0.002 | |
| 040 | TC230-52800 | SHAFT FORK | 1 | | | 1.21 | |
| 050 | 09500-16287 | SEAL OIL | 2 | | | 0.022 | |
| 060 | 05411-00635 | PIN SPRING | 2 | | | 0.011 | |
| 070 | TC230-52810 | ROD DIFF.LOCK | 1 | | | 0.154 | |

DIFFERENTIAL LOCK SHIFT FORK

| Ref | Part Number | Part Name | Qty | IC | S/N | Lbs | Remarks |
|-----|-------------|-----------------|-----|----|-----|-------|---------|
| 080 | TC220-52820 | PLATE DIFF.LOCK | 1 | | | 0.011 | |
| 090 | 05515-60800 | PIN SNAP | 2 | | | 0.004 | |
| 100 | 37150-15840 | SPRING | 1 | | | 0.132 | |

CRUISE CONTROL LEVER

Figure Num 01E106



CRUISE CONTROL LEVER

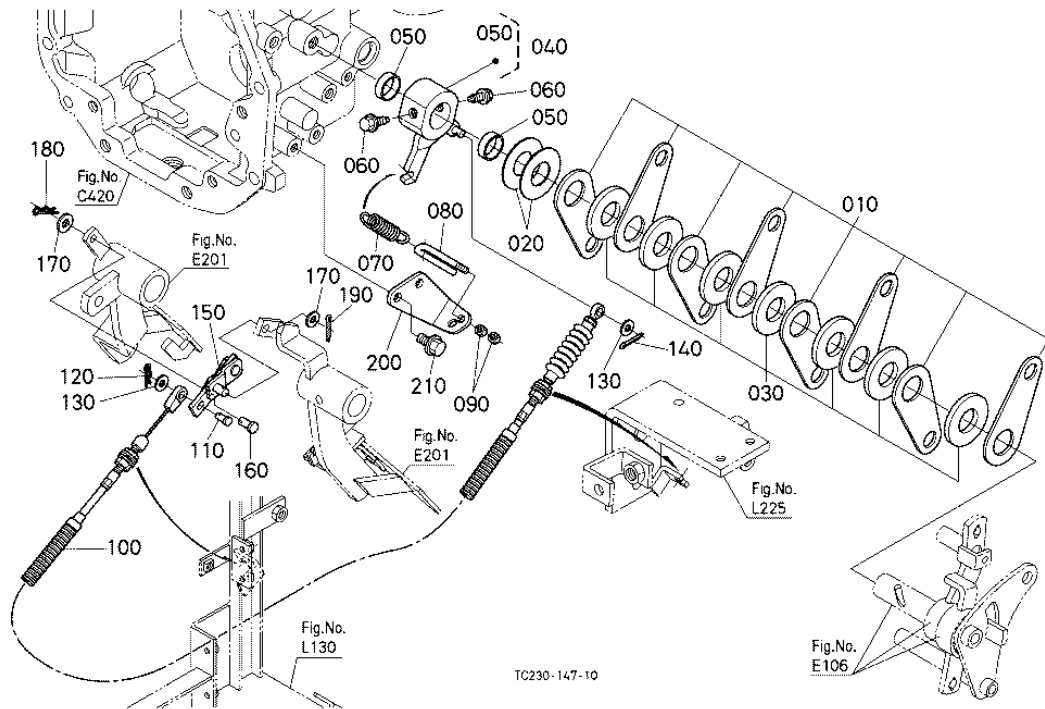
| Ref | Part Number | Part Name | Qty | IC | S/N | Lbs | Remarks |
|-----|-------------|--------------------|-----|----|-----|-------|---------|
| 010 | TC230-55272 | HOLDER | 1 | | | 0 | |
| 020 | T1170-27380 | BOLT REAR AXLE | 1 | | | 0.264 | |
| 030 | TD060-55720 | BOLT | 1 | | | 0.187 | |
| 040 | TC230-55950 | ASSY LEVER CONTROL | 1 | | | 0.44 | |
| 050 | 08511-03520 | BUSH | 1 | | | 0.074 | |
| 060 | TC230-55882 | ASSY ROD | 1 | | | 0.44 | |
| 070 | TC230-55300 | ROD CRUISE | 1 | | | 0 | |

CRUISE CONTROL LEVER

| Ref | Part Number | Part Name | Qty | IC | S/N | Lbs | Remarks |
|-----|-------------|----------------------|-----|----|-----|-------|---------|
| 080 | T1150-24380 | ROD SHIFT | 1 | | | 0.090 | |
| 090 | 37410-42180 | TURNBUCKLE | 1 | | | 0.11 | |
| 100 | 32350-28990 | NUT | 1 | | | 0.019 | |
| 110 | 02118-50100 | NUT | 1 | | | 0.011 | |
| 120 | 05511-50318 | PIN SPLIT | 1 | | | 0.002 | |
| 130 | 04011-50100 | WASHER PLAIN | 1 | | | 0.004 | |
| 140 | TC220-55910 | ASSY LEVER SPEED SET | 1 | | | 0.858 | |
| 150 | 08511-02510 | BUSH | 2 | | | 0.026 | |
| 160 | TC230-55920 | ASSY LEVER CRUISE | 1 | | | 2.024 | |
| 170 | T1060-24570 | BUSH | 1 | | | 0.011 | |
| 180 | T1060-24460 | BUSH | 1 | | | 0.011 | |
| 190 | TC230-55850 | ROD SPEED SET | 1 | | | 0.44 | |
| 200 | 05515-61000 | PIN SNAP | 1 | | | 0.004 | |
| 210 | TD060-24490 | GRIP LEVER | 1 | | | 0.099 | |
| 220 | 6A100-18560 | CUSHION | 1 | | | 0.011 | |
| 230 | TC230-55320 | BOSS CRUISE CONTROL | 1 | | | 0.473 | |
| 240 | 01133-51220 | BOLT | 1 | | | 0.088 | |
| 250 | TC230-55770 | HOLDER SPRING | 1 | | | 0.264 | |
| 260 | TD060-55260 | SPRING CRUISE | 1 | | | 0.083 | |

CRUISE CONTROL CABLE

Figure Num 01E107



CRUISE CONTROL CABLE

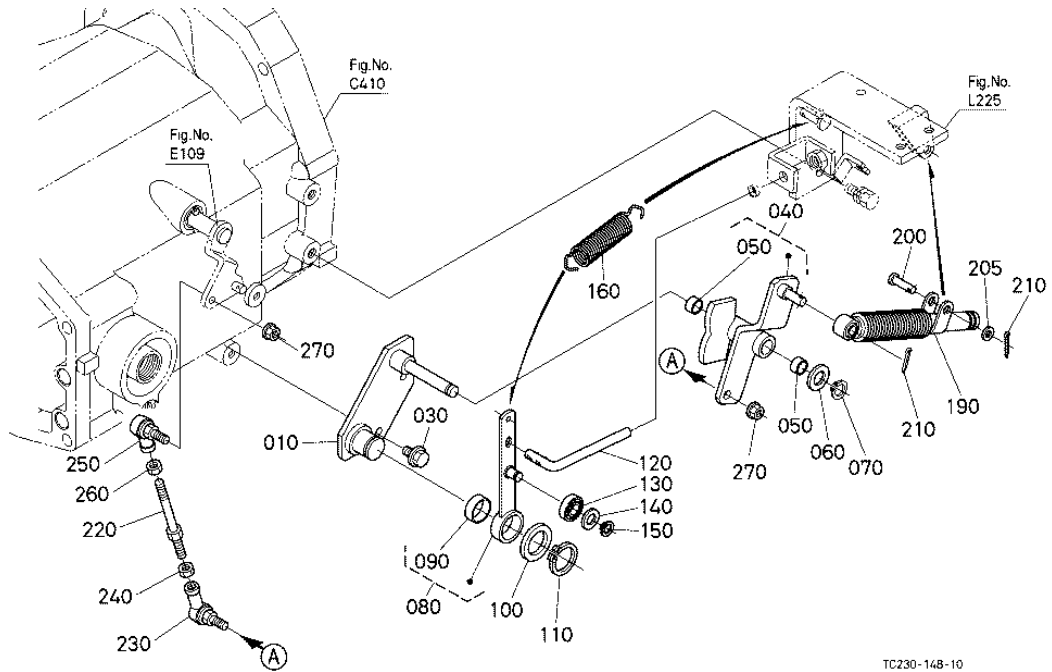
| Ref | Part Number | Part Name | Qty | IC | S/N | Lbs | Remarks |
|-----|-------------|-------------------|-----|----|-----|-------|---------|
| 010 | TD060-55800 | PLATE FRICTION | 8 | | | 0.055 | |
| 020 | TD060-55810 | SHIM | 3 | | | 0.11 | 0.4mm |
| 030 | TD060-55840 | DISK FRICTION | 7 | | | 0.015 | |
| 040 | TC230-55960 | ASSY LEVER CRUISE | 1 | | | 0.913 | |
| 050 | 08511-02510 | BUSH | 2 | | | 0.026 | |
| 060 | 37500-42250 | BOLT | 2 | | | 0.026 | |
| 070 | TD060-55820 | SPRING | 1 | | | 0.066 | |

CRUISE CONTROL CABLE

| Ref | Part Number | Part Name | Qty | IC | S/N | Lbs | Remarks |
|-----|-------------|-------------------|-----|----|-----|-------|---------|
| 080 | TD060-55790 | ROD ADJUSTING | 1 | | | 0.055 | |
| 090 | 02056-50060 | NUT | 2 | | | 0.004 | |
| 100 | TC230-55703 | CABLE CRUISE | 1 | | | 0.55 | |
| 110 | 05122-50614 | PIN JOINT | 1 | | | 0.008 | |
| 120 | 05525-60600 | PIN SNAP | 1 | | | 0.002 | |
| 130 | 04012-50060 | WASHER PLAIN | 2 | | | 0.002 | |
| 140 | 05511-51612 | PIN SPLIT | 1 | | | 0.002 | |
| 150 | TC230-57322 | COMP.LINK | 1 | | | 0.176 | |
| 160 | 05122-50814 | PIN JOINT | 1 | | | 0.011 | |
| 170 | 04012-50080 | WASHER PLAIN | 2 | | | 0.002 | |
| 180 | 05525-50800 | PIN SNAP | 1 | | | 0.002 | |
| 190 | 05511-50218 | PIN SPLIT | 1 | | | 0.002 | |
| 200 | TC230-55180 | BRACKET SPEED SET | 1 | | | 0.253 | |
| 210 | 01754-50816 | BOLT FLANGE | 2 | | | 0.024 | |

NEUTRAL HOLDER LINK

Figure Num 01E108



NEUTRAL HOLDER LINK

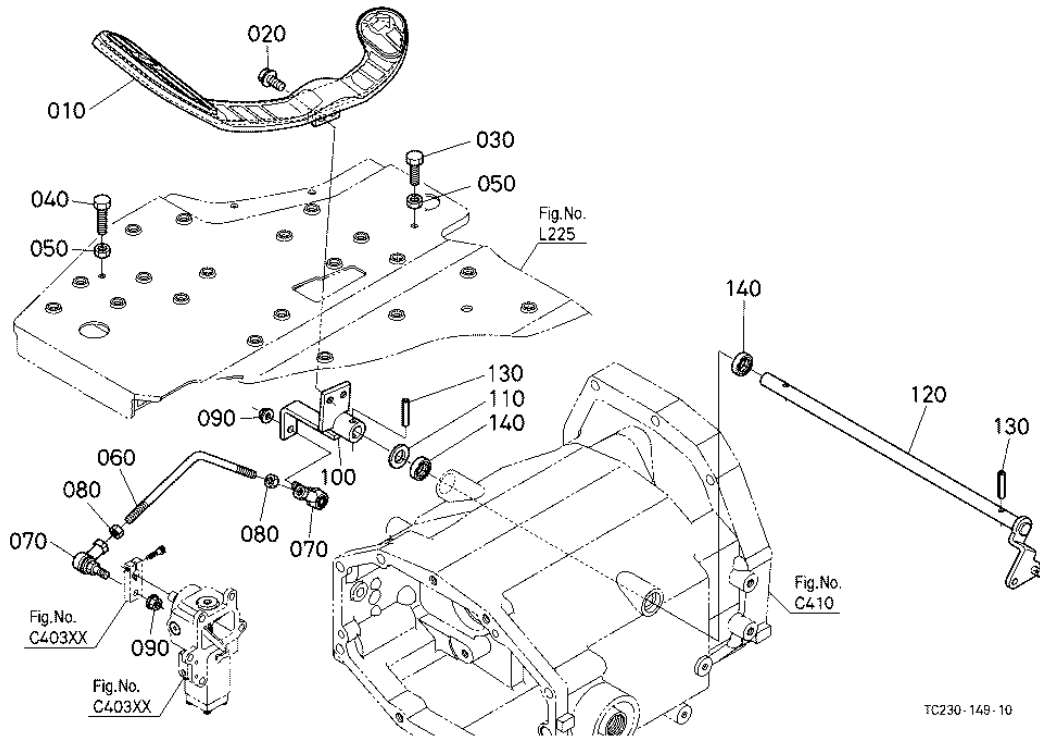
| Ref | Part Number | Part Name | Qty | IC | S/N | Lbs | Remarks |
|-----|-------------|----------------------|-----|----|-----|-------|---------|
| 010 | TC230-55170 | BRACKET HST | 1 | | | 0.99 | |
| 030 | 01754-50816 | BOLT FLANGE | 2 | | | 0.024 | |
| 040 | TC230-55500 | ASSY CAM | 1 | | | 0.968 | |
| 050 | 08511-01215 | BUSH | 2 | | | 0.011 | |
| 060 | 04013-60120 | WASHER PLAIN | 1 | | | 0.022 | |
| 070 | 04612-00120 | CIR CLIP EXTERNAL | 1 | | | 0.002 | |
| 080 | TD060-55650 | ASSY ARM NEUT.HOLDER | 1 | | | 0.297 | |

NEUTRAL HOLDER LINK

| Ref | Part Number | Part Name | Qty | IC | S/N | Lbs | Remarks |
|-----|-------------|--------------------|-----|----|-----|-------|---------|
| 090 | 08511-02512 | BUSH | 1 | | | 0.066 | |
| 100 | 04011-50250 | WASHER PLAIN | 1 | | | 0.059 | |
| 110 | 04612-00250 | CIR CLIP EXTERNAL | 1 | | | 0.004 | |
| 120 | TD060-55560 | ROD NEUTRAL SWITCH | 1 | | | 0.114 | |
| 130 | 08121-06000 | BEARING BALL | 1 | | | 0.044 | |
| 140 | 04011-50100 | WASHER PLAIN | 1 | | | 0.004 | |
| 150 | 04612-00100 | CIR CLIP EXTERNAL | 1 | | | 0.002 | |
| 160 | 66204-43323 | SPRING | 1 | | | 0.121 | |
| 190 | 32721-43350 | DAMPER HST | 1 | | | 0.572 | |
| 200 | 05122-50828 | PIN JOINT | 1 | | | 0.026 | |
| 205 | 04012-50080 | WASHER PLAIN | 1 | | | 0.002 | |
| 210 | 05511-50215 | PIN SPLIT | 2 | | | 0.002 | |
| 220 | TD060-55230 | ROD HST NEUTRAL | 1 | | | 0.077 | |
| 230 | 54721-31850 | BALL LINK | 1 | | | 0.143 | |
| 240 | 37300-41330 | NUT | 1 | | | 0.011 | |
| 250 | 45404-95770 | END ROD | 1 | | | 0.22 | |
| 260 | 02114-50080 | NUT | 1 | | | 0.011 | |
| 270 | 02751-50080 | NUT FLANGE | 2 | | | 0.013 | |

SPEED CONTROL PEDAL

Figure Num 01E109



TC230-149-10

SPEED CONTROL PEDAL

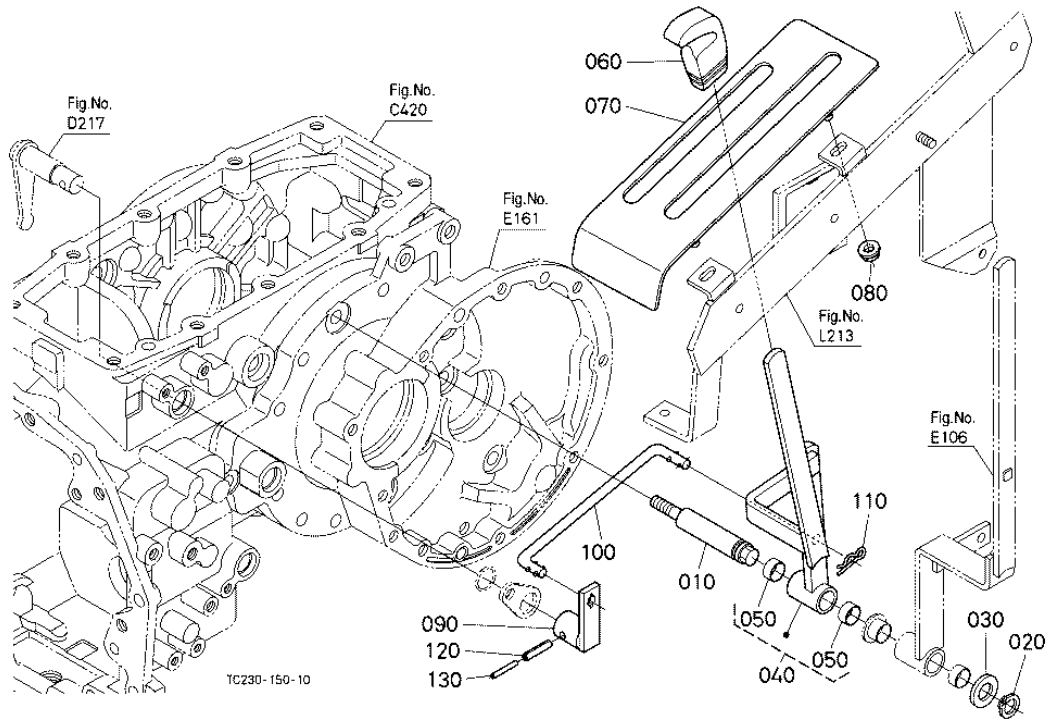
| Ref | Part Number | Part Name | Qty | IC | S/N | Lbs | Remarks |
|-----|-------------|-------------------|-----|----|-----|-------|---------|
| 010 | TD060-55543 | PEDAL HST CONTROL | 1 | | | 2.64 | |
| 020 | 01754-50816 | BOLT FLANGE | 2 | | | 0.024 | |
| 030 | 01153-50828 | BOLT | 1 | | | 0.030 | |
| 040 | 01153-50838 | BOLT | 1 | | | 0.037 | |
| 050 | 02112-50080 | NUT | 2 | | | 0.006 | |
| 060 | TC230-55150 | ROD HST PEDAL | 1 | | | 0.132 | |
| 070 | 45404-95770 | END ROD | 2 | | | 0.22 | |

SPEED CONTROL PEDAL

| Ref | Part Number | Part Name | Qty | IC | S/N | Lbs | Remarks |
|-----|-------------|-----------------|-----|----|-----|-------|---------|
| 080 | 02114-50080 | NUT | 2 | | | 0.011 | |
| 090 | 02751-50080 | NUT FLANGE | 2 | | | 0.013 | |
| 100 | TC230-55520 | LEVER HST PEDAL | 1 | | | 0.638 | |
| 110 | 04011-60160 | WASHER PLAIN | 1 | | | 0.022 | |
| 120 | TC230-55530 | SHAFT HST PEDAL | 1 | | | 1.76 | |
| 130 | 05411-00635 | PIN SPRING | 2 | | | 0.011 | |
| 140 | 09500-16267 | SEAL OIL | 2 | | | 0.011 | |

RANGE GEAR SHIFT LEVER

Figure Num 01E110



RANGE GEAR SHIFT LEVER

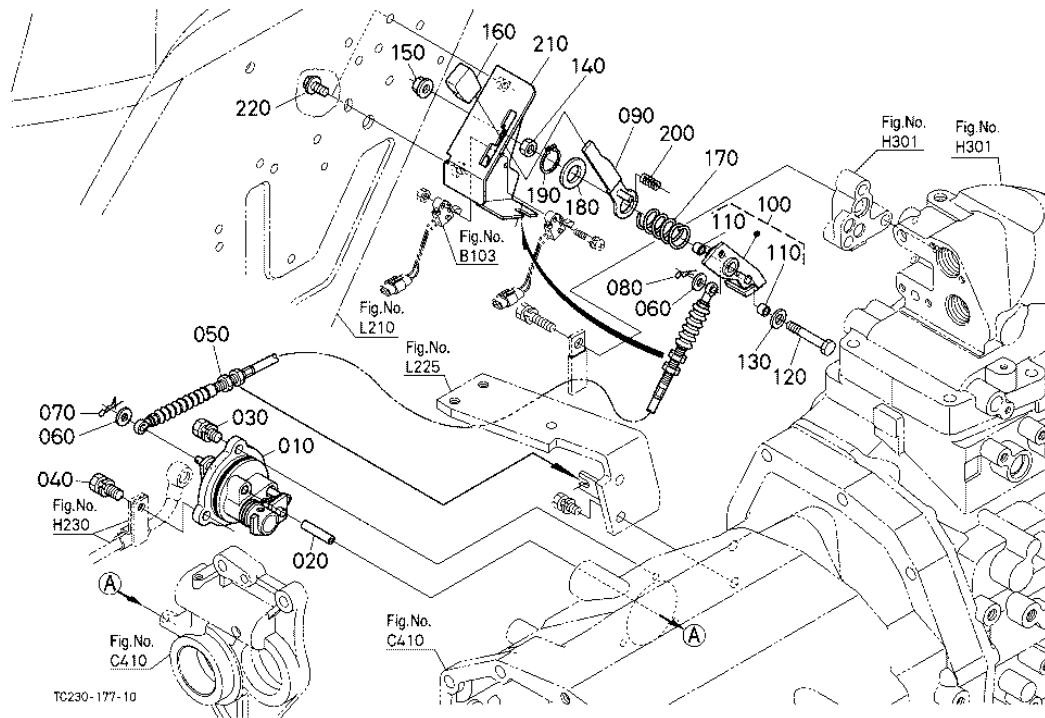
| Ref | Part Number | Part Name | Qty | IC | S/N | Lbs | Remarks |
|-----|-------------|--------------------|-----|----|-----|-------|---------|
| 010 | T1080-24430 | BOLT | 1 | | | 0.451 | |
| 020 | 04612-00180 | CIR CLIP EXTERNAL | 1 | | | 0.002 | |
| 030 | 04011-50180 | WASHER PLAIN | 1 | | | 0.026 | |
| 040 | TC230-54680 | ASSY LEVER R/SHIFT | 1 | | | 1.98 | |
| 050 | T1060-24460 | BUSH | 2 | | | 0.011 | |
| 060 | TD060-24490 | GRIP LEVER | 1 | | | 0.099 | |
| 070 | TC220-57562 | GUIDE HST CAHNGE | 1 | | | 1.496 | |

RANGE GEAR SHIFT LEVER

| Ref | Part Number | Part Name | Qty | IC | S/N | Lbs | Remarks |
|-----|-------------|-------------------|-----|----|-----|-------|---------|
| 080 | 02751-50080 | NUT FLANGE | 2 | | | 0.013 | |
| 090 | TC230-54560 | LEVER RANGE SHIFT | 1 | | | 0.286 | |
| 100 | TC230-54572 | ROD RANGE SHIFT | 1 | | | 0.308 | |
| 110 | 05515-61000 | PIN SNAP | 1 | | | 0.004 | |
| 120 | 05411-00635 | PIN SPRING | 1 | | | 0.011 | |
| 130 | 70451-57350 | PIN SPRING | 1 | | | 0.011 | |

PTO CLUTCH CONTROL LEVER

Figure Num 01E126



PTO CLUTCH CONTROL LEVER

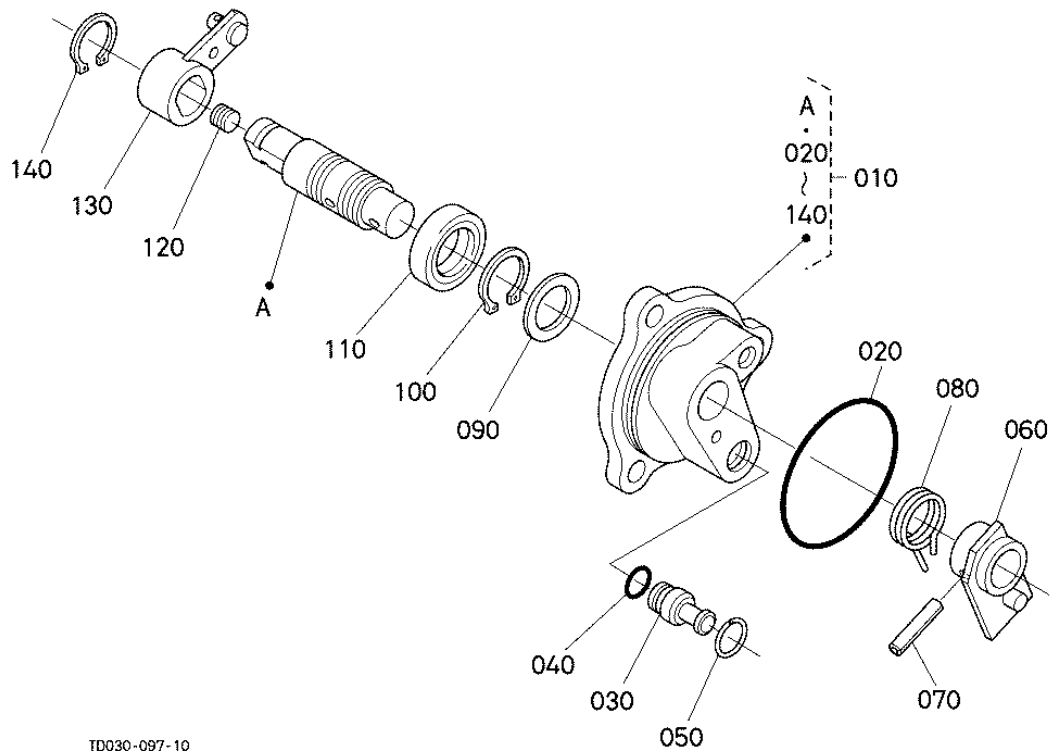
| Ref | Part Number | Part Name | Qty | IC | S/N | Lbs | Remarks |
|-----|-------------|------------------|-----|----|-----|-------|---------|
| 010 | TD060-51450 | ASSY VALVE I-PTO | 1 | | | 2.057 | |
| 020 | 36530-27273 | PIPE HYDRAULIC | 1 | | | 0.011 | |
| 030 | 01123-50820 | BOLT | 2 | | | 0.024 | |
| 040 | 01123-50825 | BOLT | 1 | | | 0.028 | |
| 050 | TC230-24654 | CABLE PTO | 1 | | | 0.352 | |
| 060 | 04012-50060 | WASHER PLAIN | 2 | | | 0.002 | |
| 070 | 52300-34110 | PIN SNAP | 1 | | | 0.004 | |

PTO CLUTCH CONTROL LEVER

| Ref | Part Number | Part Name | Qty | IC | S/N | Lbs | Remarks |
|-----|-------------|--------------------|-----|----|-----|-------|---------|
| 080 | 05525-60600 | PIN SNAP | 1 | | | 0.002 | |
| 090 | 3A012-27810 | LEVER PTO CLUTCH | 1 | | | 0.107 | |
| 100 | TC250-69720 | ASSY CAM PTO LEVER | 1 | | | 0 | |
| 110 | 08511-00810 | BUSH | 2 | | | 0.006 | |
| 120 | TC220-59740 | PIN PTO LEVER | 1 | | | 0 | |
| 130 | 04013-60080 | WASHER PLAIN | 1 | | | 0.004 | |
| 140 | 02112-50080 | NUT | 1 | | | 0.006 | |
| 150 | 02763-50080 | NUT FLANGE | 1 | | | 0.013 | |
| 160 | 36919-27820 | GRIP PTO LEVER | 1 | | | 0.033 | |
| 170 | 3A012-27850 | SPRING | 1 | | | 0.011 | |
| 180 | 04011-50180 | WASHER PLAIN | 1 | | | 0.026 | |
| 190 | 04612-00180 | CIR CLIP EXTERNAL | 1 | | | 0.002 | |
| 200 | 3A111-27830 | SPRING PTO LEVER | 1 | | | 0.002 | |
| 210 | TC050-47612 | GUIDE PTO LEVER | 1 | | | 0.66 | |
| 220 | 01754-50816 | BOLT FLANGE | 2 | | | 0.024 | |

PTO CLUTCH VALVE [COMPONENT PARTS]

Figure Num 01E127



TD030-097-10

PTO CLUTCH VALVE [COMPONENT PARTS]

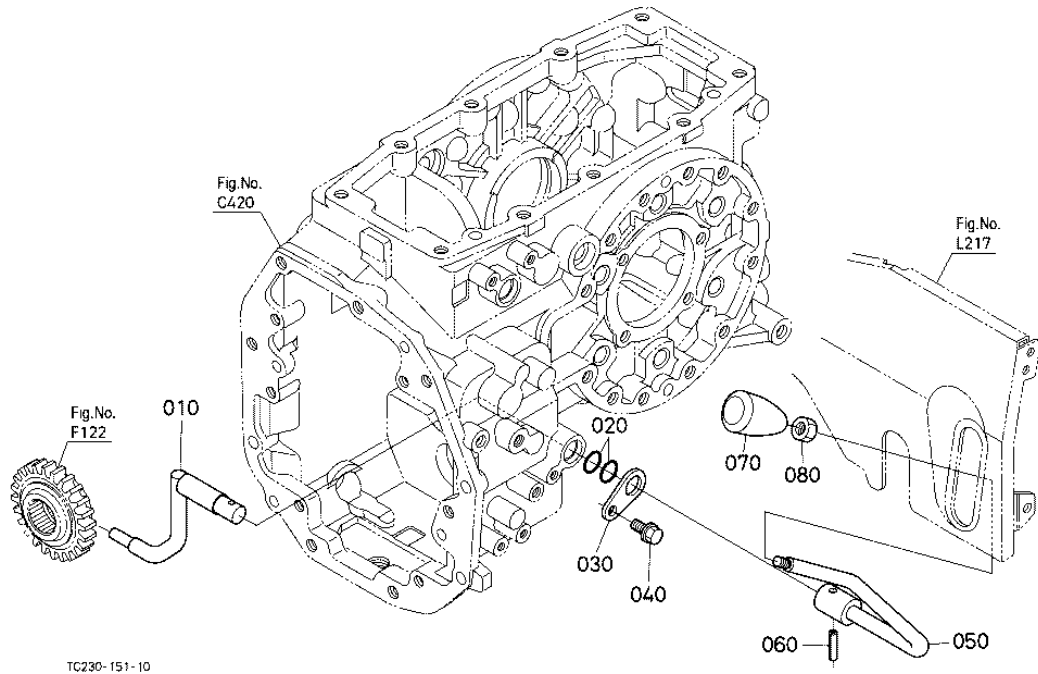
| Ref | Part Number | Part Name | Qty | IC | S/N | Lbs | Remarks |
|-----|-------------|-------------------|-----|----|-----|-------|---------|
| 010 | TD060-51450 | ASSY VALVE I-PTO | 1 | | | 2.057 | |
| 020 | 04811-06630 | O RING | 1 | | | 0.002 | |
| 030 | TA040-69320 | PLUG | 1 | | | 0.013 | |
| 040 | 04817-00090 | O RING | 1 | | | 0.002 | |
| 050 | 67401-03690 | RING | 1 | | | 0.002 | |
| 060 | TA040-69340 | LEVER VALVE ROTOR | 1 | | | 0.125 | |
| 070 | 05411-00522 | PIN SPRING | 1 | | | 0.004 | |

PTO CLUTCH VALVE [COMPONENT PARTS]

| Ref | Part Number | Part Name | Qty | IC | S/N | Lbs | Remarks |
|-----|-------------|-------------------|-----|----|-----|-------|---------|
| 080 | TA040-69360 | SPRING | 1 | | | 0.030 | |
| 090 | 50770-12180 | COLLAR THRUST | 1 | | | 0.006 | |
| 100 | 04612-00200 | CIR CLIP EXTERNAL | 1 | | | 0.002 | |
| 110 | 09500-20358 | SEAL OIL | 1 | | | 0.022 | |
| 120 | 67511-36640 | PLUG | 1 | | | 0.006 | |
| 130 | TD060-51460 | LEVER VALVE | 1 | | | 0.11 | |
| 140 | 04612-00180 | CIR CLIP EXTERNAL | 1 | | | 0.002 | |

FRONT WHEEL DRIVE LEVER

Figure Num 01E140



FRONT WHEEL DRIVE LEVER

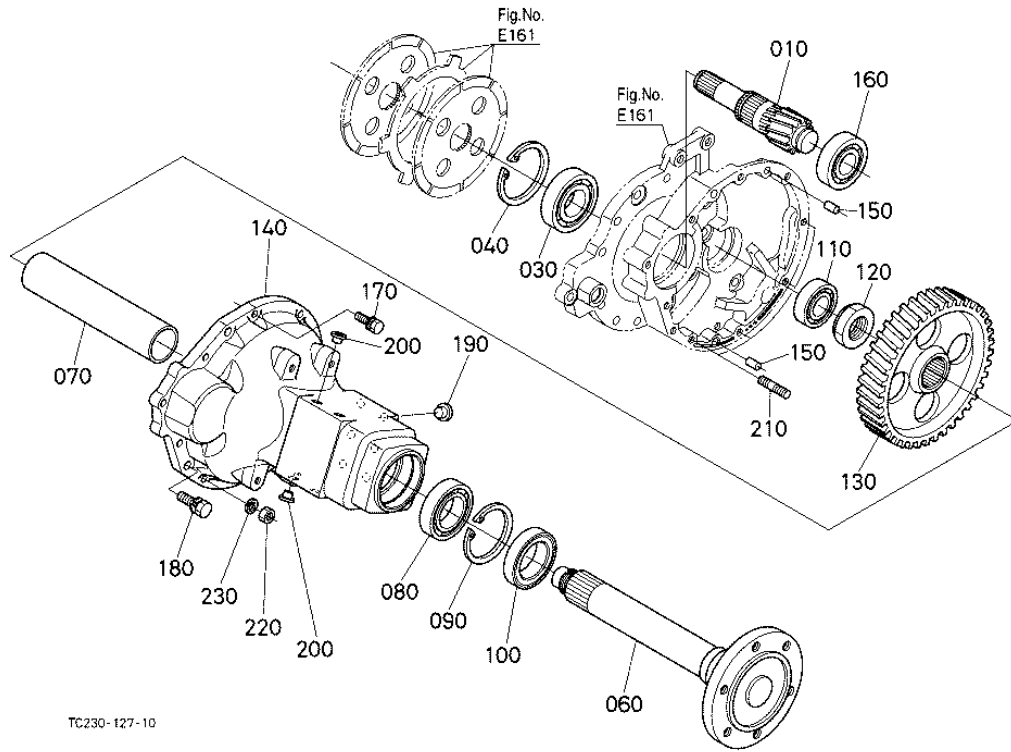
| Ref | Part Number | Part Name | Qty | IC | S/N | Lbs | Remarks |
|-----|-------------|-------------------|-----|----|-----|-------|---------|
| 010 | TC230-54300 | LEVER SHIFT | 1 | | | 0.792 | |
| 020 | 04816-00200 | O RING | 2 | | | 0.006 | |
| 030 | 34070-24350 | STOPPER | 1 | | | 0.044 | |
| 040 | 01754-50812 | BOLT FLANGE | 1 | | | 0.022 | |
| 050 | TC230-54350 | LEVER FRONT DRIVE | 1 | | | 1.276 | |
| 060 | 05411-00630 | PIN SPRING | 1 | | | 0.008 | |
| 070 | TA040-15480 | GRIP LEVER | 1 | | | 0.116 | |

FRONT WHEEL DRIVE LEVER

| Ref | Part Number | Part Name | Qty | IC | S/N | Lbs | Remarks |
|-----|-------------|-----------|-----|----|-----|-------|---------|
| 080 | 02116-50100 | NUT | 1 | | | 0.008 | |

REAR AXLE LH

Figure Num 01E151



REAR AXLE LH

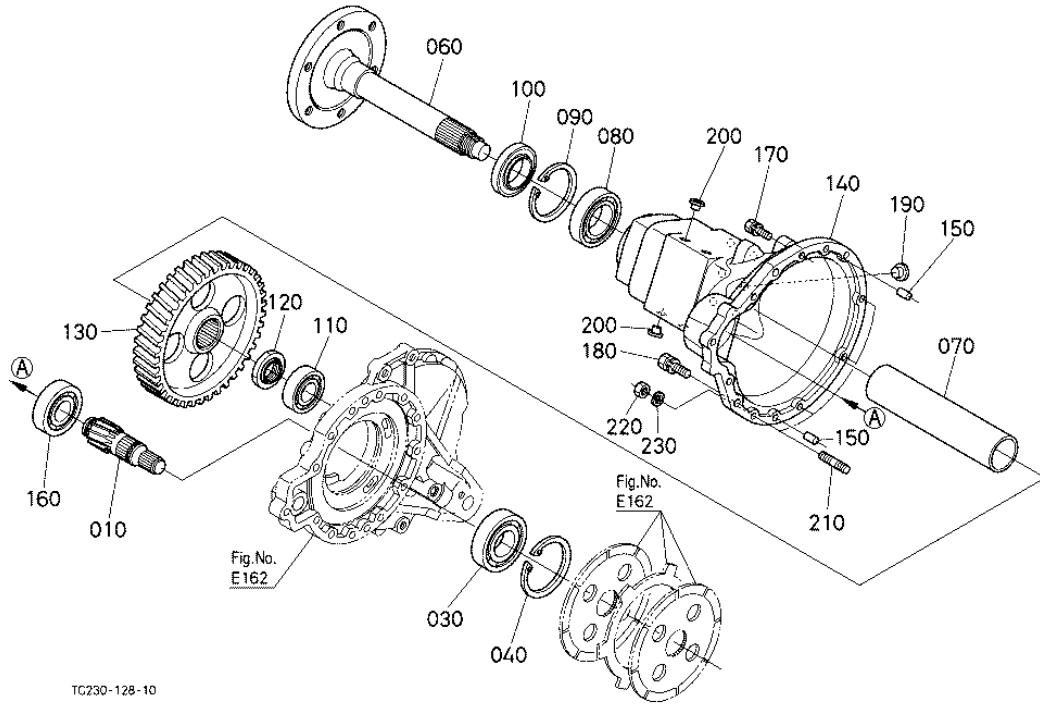
| Ref | Part Number | Part Name | Qty | IC | S/N | Lbs | Remarks |
|-----|-------------|--------------------|-----|----|-----|-------|---------|
| 010 | TA040-26720 | SHAFT DIFF.GEAR LH | 1 | | | 4.84 | 11T |
| 030 | TD060-26730 | BEARING BALL | 1 | | | 1.782 | |
| 040 | 04611-01000 | CIR CLIP INTERNAL | 1 | | | 0.092 | |
| 060 | 32430-27115 | AXLE REAR | 1 | | | 24.2 | |
| 070 | 32430-27144 | SPACER | 1 | | | 3.74 | |
| 080 | TC210-26270 | BEARING BALL | 1 | | | 0.002 | |
| 090 | 04611-00900 | CIR CLIP INTERNAL | 1 | | | 0.081 | |

REAR AXLE LH

| Ref | Part Number | Part Name | Qty | IC | S/N | Lbs | Remarks |
|-----|-------------|----------------|-----|----|-----|-------|---------|
| 100 | 31359-44510 | SEAL OIL | 1 | | | 0.396 | |
| 110 | TA140-25000 | BEARING BALL | 1 | | | 0.752 | |
| 120 | 70631-15730 | NUT | 1 | | | 0.33 | |
| 130 | 32440-26830 | GEAR | 1 | | | 14.52 | 60T |
| 140 | TC230-27332 | CASE REAR AXLE | 1 | | | 0 | |
| 150 | 37150-27370 | PIN STRAIGHT | 2 | | | 0.019 | |
| 160 | 35860-79150 | BEARING BALL | 1 | | | 0.99 | |
| 170 | 01133-51035 | BOLT | 5 | | | 0.066 | |
| 180 | 01133-51240 | BOLT | 1 | | | 0.11 | |
| 190 | 31220-14290 | PLUG | 6 | | | 0.004 | |
| 200 | 32210-27580 | PLUG | 4 | | | 0.002 | |
| 210 | 34070-20313 | STUD | 4 | | | 0.099 | |
| 220 | 37300-14190 | NUT | 4 | | | 0.019 | |
| 230 | 04512-60100 | WASHER SPRING | 4 | | | 0.004 | |

REAR AXLE RH

Figure Num 01E152



TC230-128-10

REAR AXLE RH

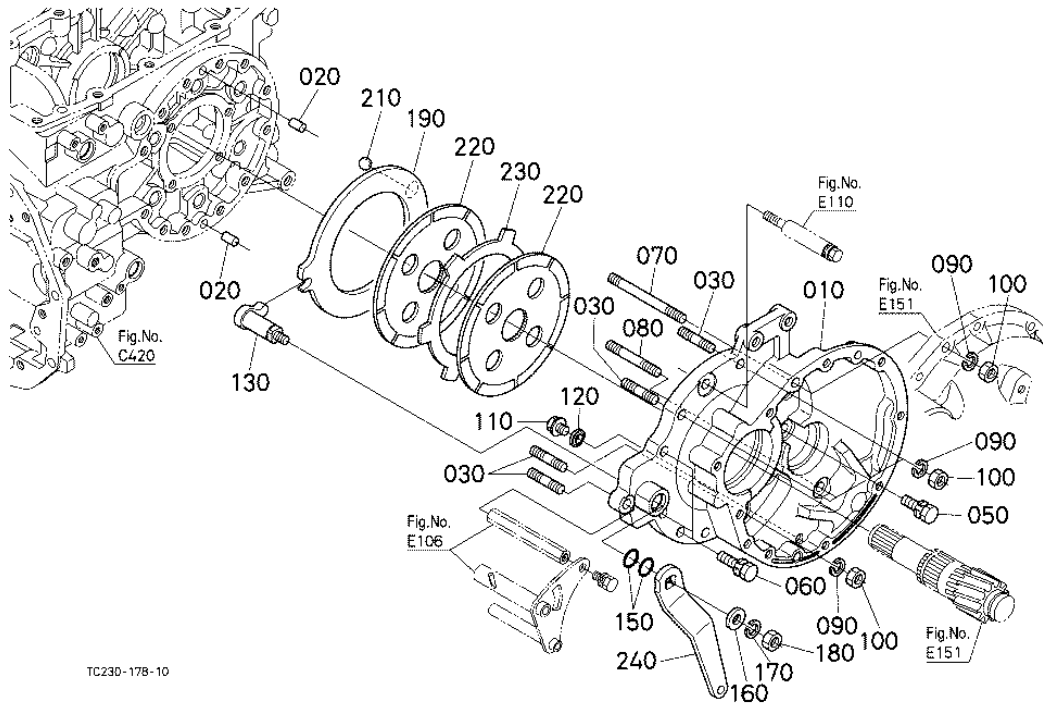
| Ref | Part Number | Part Name | Qty | IC | S/N | Lbs | Remarks |
|-----|-------------|--------------------|-----|----|-----|-------|---------|
| 010 | TA040-26710 | SHAFT DIFF.GEAR RH | 1 | | | 4.4 | 11T |
| 030 | TD060-26730 | BEARING BALL | 1 | | | 1.782 | |
| 040 | 04611-01000 | CIR CLIP INTERNAL | 1 | | | 0.092 | |
| 060 | 32430-27115 | AXLE REAR | 1 | | | 24.2 | |
| 070 | 32430-27144 | SPACER | 1 | | | 3.74 | |
| 080 | TC210-26270 | BEARING BALL | 1 | | | 0.002 | |
| 090 | 04611-00900 | CIR CLIP INTERNAL | 1 | | | 0.081 | |

REAR AXLE RH

| Ref | Part Number | Part Name | Qty | IC | S/N | Lbs | Remarks |
|-----|-------------|----------------|-----|----|-----|-------|---------|
| 100 | 31359-44510 | SEAL OIL | 1 | | | 0.396 | |
| 110 | TA140-25000 | BEARING BALL | 1 | | | 0.752 | |
| 120 | 70631-15730 | NUT | 1 | | | 0.33 | |
| 130 | 32440-26830 | GEAR | 1 | | | 14.52 | 60T |
| 140 | TC230-27332 | CASE REAR AXLE | 1 | | | 0 | |
| 150 | 37150-27370 | PIN STRAIGHT | 2 | | | 0.019 | |
| 160 | 35860-79150 | BEARING BALL | 1 | | | 0.99 | |
| 170 | 01133-51035 | BOLT | 5 | | | 0.066 | |
| 180 | 01133-51240 | BOLT | 1 | | | 0.11 | |
| 190 | 31220-14290 | PLUG | 6 | | | 0.004 | |
| 200 | 32210-27580 | PLUG | 4 | | | 0.002 | |
| 210 | 34070-20313 | STUD | 4 | | | 0.099 | |
| 220 | 37300-14190 | NUT | 4 | | | 0.019 | |
| 230 | 04512-60100 | WASHER SPRING | 4 | | | 0.004 | |

BRAKE LH

Figure Num 01E161



BRAKE LH

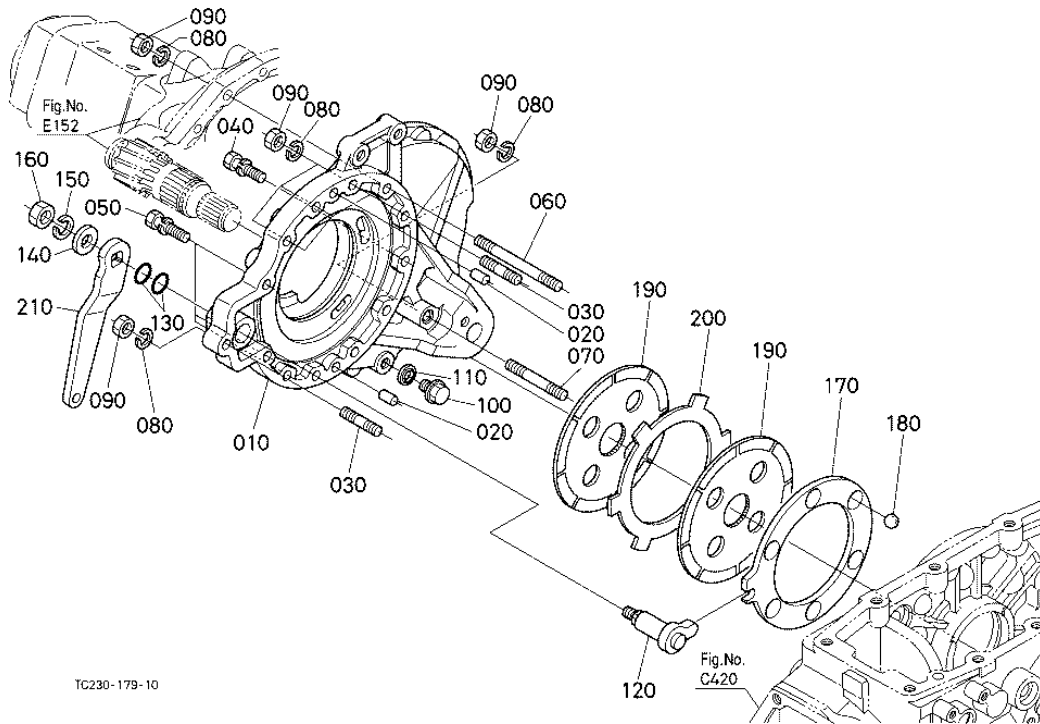
| Ref | Part Number | Part Name | Qty | IC | S/N | Lbs | Remarks |
|-----|-------------|---------------|-----|----|-----|-------|---------|
| 010 | TC230-58630 | CASE BRAKE LH | 1 | | | 32.56 | |
| 020 | 05012-01018 | PIN STRAIGHT | 2 | | | 0.026 | |
| 030 | 01574-61240 | STUD | 7 | | | 0.099 | |
| 050 | 01133-51235 | BOLT | 1 | | | 0.094 | |
| 060 | 01133-51240 | BOLT | 3 | | | 0.11 | |
| 070 | 31351-28172 | STUD | 1 | | | 0.231 | |
| 080 | 01574-61260 | STUD | 1 | | | 0.11 | |

BRAKE LH

| Ref | Part Number | Part Name | Qty | IC | S/N | Lbs | Remarks |
|-----|-------------|--------------------|-----|----|-----|-------|---------|
| 090 | 04512-60120 | WASHER SPRING | 8 | | | 0.011 | |
| 100 | 02176-50120 | NUT | 8 | | | 0.022 | |
| 110 | 06331-45010 | PLUG | 1 | | | 0.044 | |
| 120 | 04717-01000 | WASHER WITH RUBBER | 1 | | | 0.002 | |
| 130 | 34070-28716 | CAM BRAKE LH | 1 | | | 0.627 | |
| 150 | 04816-00220 | O RING | 2 | | | 0.006 | |
| 160 | 04015-60120 | WASHER PLAIN | 1 | | | 0.048 | |
| 170 | 04512-60120 | WASHER SPRING | 1 | | | 0.011 | |
| 180 | 02174-50120 | NUT | 1 | | | 0.022 | |
| 190 | 34070-28770 | PLATE BRAKE CAM LH | 1 | | | 2.442 | |
| 210 | 07715-00805 | BALL | 6 | | | 0.035 | |
| 220 | TD170-28200 | DISK BRAKE MAIN | 2 | | | 1.65 | |
| 230 | 37720-28170 | PLATE | 1 | | | 0.752 | |
| 240 | 34070-44615 | LEVER BRAKE CAM LH | 1 | | | 0.902 | |

BRAKE RH

Figure Num 01E162



BRAKE RH

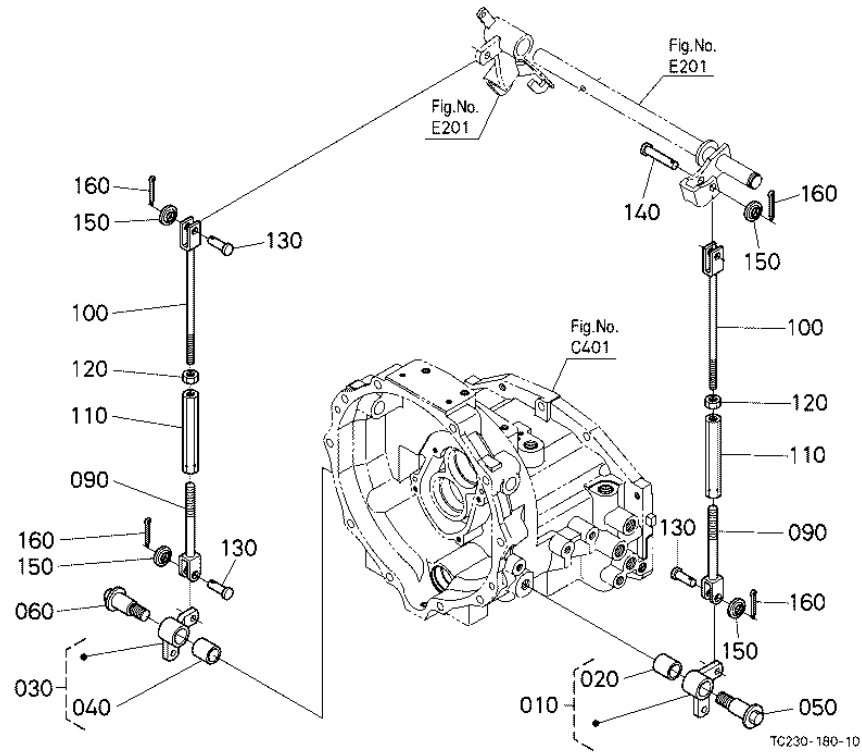
| Ref | Part Number | Part Name | Qty | IC | S/N | Lbs | Remarks |
|-----|-------------|---------------|-----|----|-----|-------|---------|
| 010 | TA040-28640 | CASE BRAKE RH | 1 | | | 0 | |
| 020 | 05012-01018 | PIN STRAIGHT | 2 | | | 0.026 | |
| 030 | 01574-61240 | STUD | 8 | | | 0.099 | |
| 040 | 01133-51235 | BOLT | 2 | | | 0.094 | |
| 050 | 01133-51240 | BOLT | 3 | | | 0.11 | |
| 060 | 01574-51200 | STUD | 1 | | | 0.22 | |
| 070 | 01574-61260 | STUD | 1 | | | 0.11 | |

BRAKE RH

| Ref | Part Number | Part Name | Qty | IC | S/N | Lbs | Remarks |
|-----|-------------|--------------------|-----|----|-----|-------|---------|
| 080 | 04512-60120 | WASHER SPRING | 10 | | | 0.011 | |
| 090 | 02176-50120 | NUT | 10 | | | 0.022 | |
| 100 | 06331-45010 | PLUG | 1 | | | 0.044 | |
| 110 | 04717-01000 | WASHER WITH RUBBER | 1 | | | 0.002 | |
| 120 | 34070-28726 | CAM BRAKE RH | 1 | | | 0.627 | |
| 130 | 04816-00220 | O RING | 2 | | | 0.006 | |
| 140 | 04015-60120 | WASHER PLAIN | 1 | | | 0.048 | |
| 150 | 04512-60120 | WASHER SPRING | 1 | | | 0.011 | |
| 160 | 02174-50120 | NUT | 1 | | | 0.022 | |
| 170 | 34070-28780 | PLATE BRAKE CAM RH | 1 | | | 2.508 | |
| 180 | 07715-00805 | BALL | 6 | | | 0.035 | |
| 190 | TD170-28200 | DISK BRAKE MAIN | 2 | | | 1.65 | |
| 200 | 37720-28170 | PLATE | 1 | | | 0.752 | |
| 210 | 34070-44623 | LEVER BRAKE CAM RH | 1 | | | 0.902 | |

BRAKE ROD 1 (BRAKE PEDAL)

Figure Num 01E165



BRAKE ROD 1 (BRAKE PEDAL)

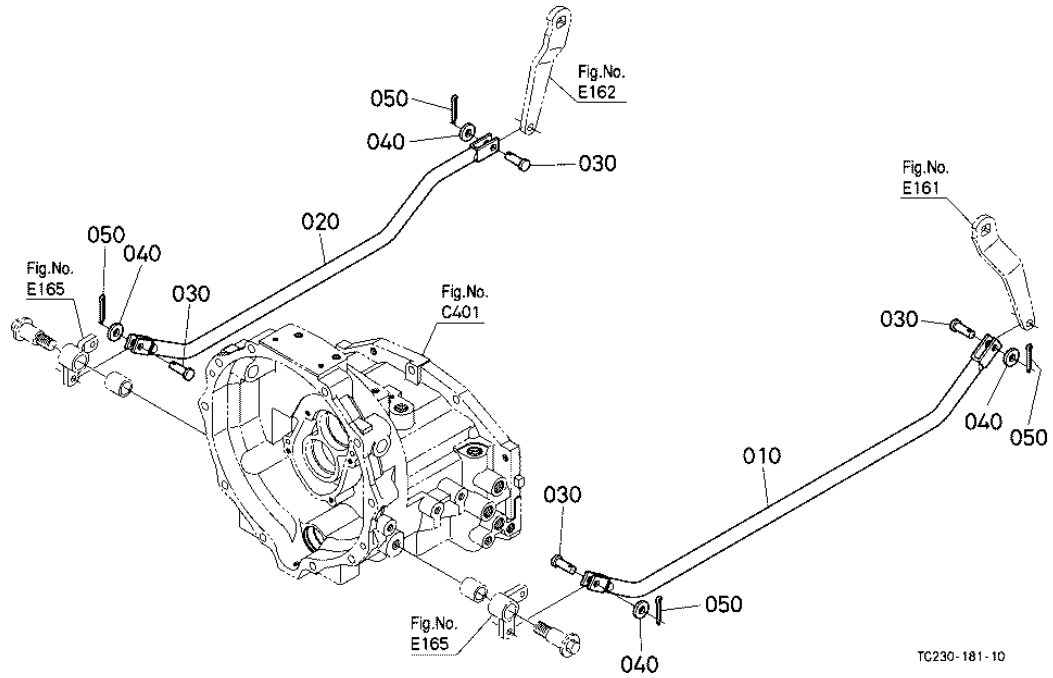
| Ref | Part Number | Part Name | Qty | IC | S/N | Lbs | Remarks |
|-----|-------------|---------------------|-----|----|-----|-------|---------|
| 010 | TC230-44810 | ASSY LEVER BRAKE LH | 1 | | | 0.506 | |
| 020 | T0070-44890 | BUSH | 1 | | | 0.061 | |
| 030 | TC230-44910 | ASSY LEVER BRAKE RH | 1 | | | 0.506 | |
| 040 | T0070-44890 | BUSH | 1 | | | 0.061 | |
| 050 | T1270-44870 | SHAFT BRAKE LH | 1 | | | 0.308 | |
| 060 | T1270-44880 | SHAFT BRAKE RH | 1 | | | 0.308 | |
| 090 | 34070-44840 | ROD BRAKE LOWER | 2 | | | 0.286 | |

BRAKE ROD 1 (BRAKE PEDAL)

| Ref | Part Number | Part Name | Qty | IC | S/N | Lbs | Remarks |
|-----|-------------|--------------------|-----|----|-----|-------|---------|
| 100 | TC030-76200 | ROD BRAKE UPPER | 2 | | | 0.363 | |
| 110 | 32350-28980 | TURNBUCKLE | 2 | | | 0.272 | |
| 120 | 02116-50100 | NUT | 2 | | | 0.008 | |
| 130 | 05122-61028 | PIN JOINT | 3 | | | 0.044 | |
| 140 | 05122-61045 | PIN JOINT | 1 | | | 0.011 | |
| 150 | 04717-01000 | WASHER WITH RUBBER | 4 | | | 0.002 | |
| 160 | 05511-50318 | PIN SPLIT | 4 | | | 0.002 | |

BRAKE ROD 2 (BRAKE CAM)

Figure Num 01E170



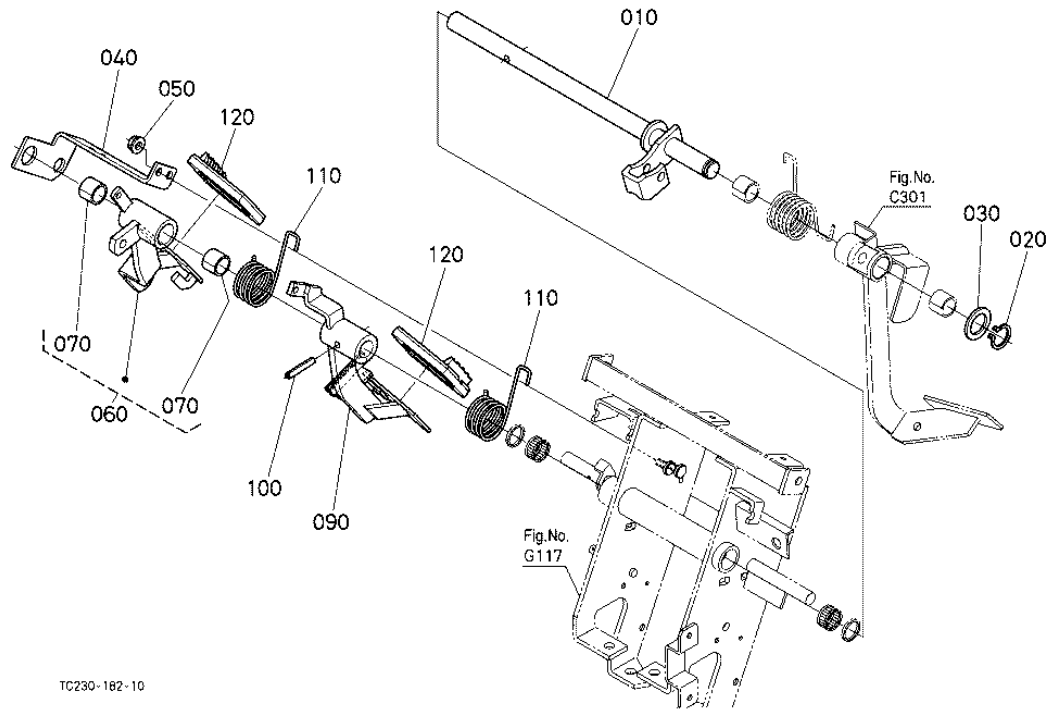
TC230-181-10

BRAKE ROD 2 (BRAKE CAM)

| Ref | Part Number | Part Name | Qty | IC | S/N | Lbs | Remarks |
|-----|-------------|--------------|-----|----|-----|-------|---------|
| 010 | TC230-54312 | ROD BRAKE | 1 | | | 0 | |
| 020 | TC230-54322 | ROD BRAKE | 1 | | | 0 | |
| 030 | 05122-61028 | PIN JOINT | 4 | | | 0.044 | |
| 040 | 04013-60100 | WASHER PLAIN | 4 | | | 0.006 | |
| 050 | 05511-50318 | PIN SPLIT | 4 | | | 0.002 | |

BRAKE PEDAL

Figure Num 01E201



TC230-182-10

BRAKE PEDAL

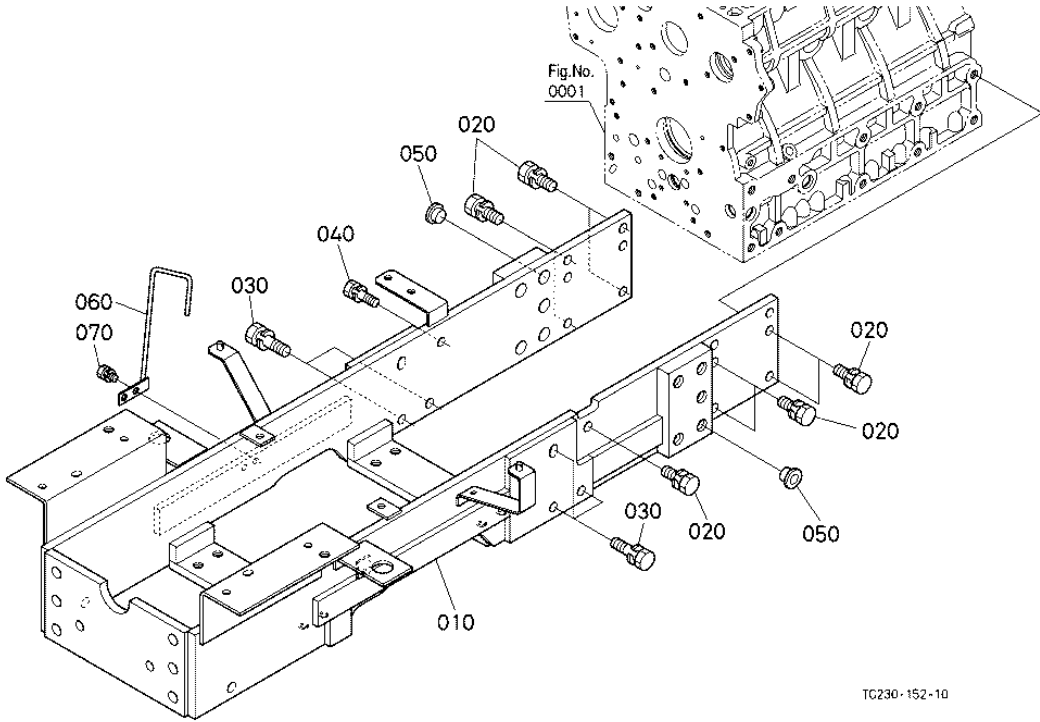
| Ref | Part Number | Part Name | Qty | IC | S/N | Lbs | Remarks |
|-----|-------------|---------------------|-----|----|-----|-------|---------|
| 010 | TC230-54010 | SHAFT PEDAL | 1 | | | 4.29 | |
| 020 | 04612-00250 | CIR CLIP EXTERNAL | 1 | | | 0.004 | |
| 030 | 04011-50250 | WASHER PLAIN | 1 | | | 0.059 | |
| 040 | TC030-44073 | SUPPORT SHAFT PEDAL | 1 | | | 0.836 | |
| 050 | 02751-50080 | NUT FLANGE | 2 | | | 0.013 | |
| 060 | TC230-54102 | ASSY PEDAL BRAKE RH | 1 | | | 0 | |
| 070 | TD060-44080 | BUSH | 2 | | | 0.004 | |

BRAKE PEDAL

| Ref | Part Number | Part Name | Qty | IC | S/N | Lbs | Remarks |
|-----|-------------|----------------|-----|----|-----|-------|---------|
| 090 | TC230-54112 | PEDAL BRAKE LH | 1 | | | 0 | |
| 100 | 05411-00840 | PIN SPRING | 1 | | | 0.017 | |
| 110 | TC030-44170 | SPRING | 2 | | | 0.154 | |
| 120 | T2050-44120 | COVER PEDAL | 2 | | | 0.154 | |

FRONT AXLE FRAME

Figure Num 01F105

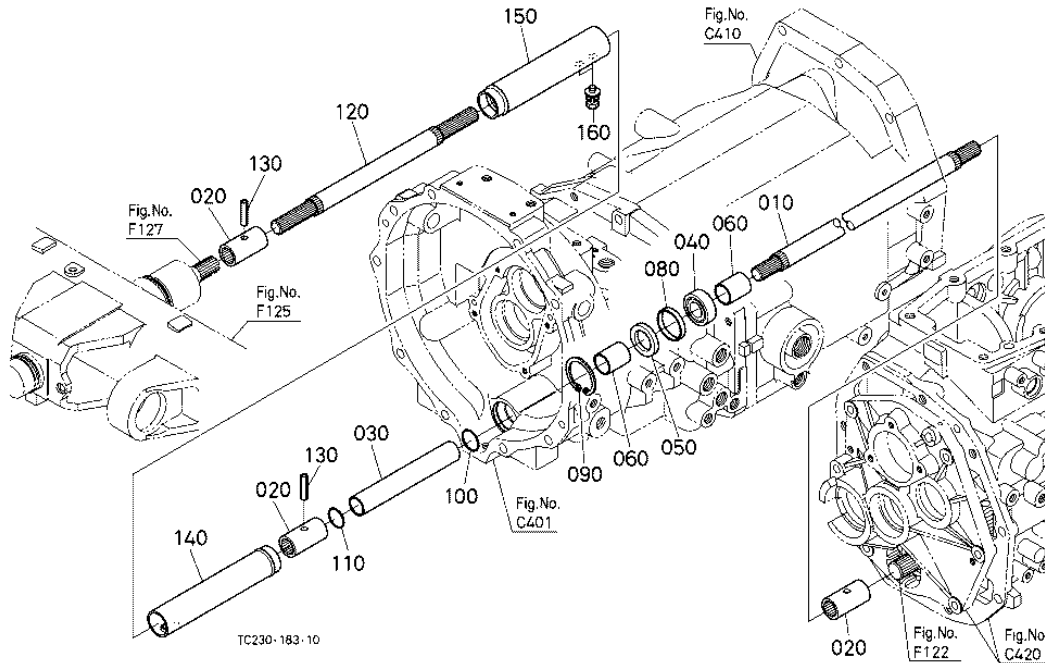


FRONT AXLE FRAME

| Ref | Part Number | Part Name | Qty | IC | S/N | Lbs | Remarks |
|-----|-------------|------------------|-----|----|-----|-------|---------|
| 010 | TC230-54000 | FRAME FRONT AXLE | 1 | | | 83.6 | |
| 020 | 01138-51230 | BOLT | 9 | | | 0.44 | |
| 030 | 01138-51240 | BOLT | 6 | | | 0.101 | |
| 040 | 01138-51030 | BOLT | 1 | | | 0.55 | |
| 050 | 33300-90910 | PLUG | 10 | | | 0.004 | |
| 060 | TC230-14252 | GUIDE P.S. HOSE | 1 | | | 0.11 | |
| 070 | 01123-50812 | BOLT | 2 | | | 0.22 | |

PROPELLER SHAFT

Figure Num 01F120



PROPELLER SHAFT

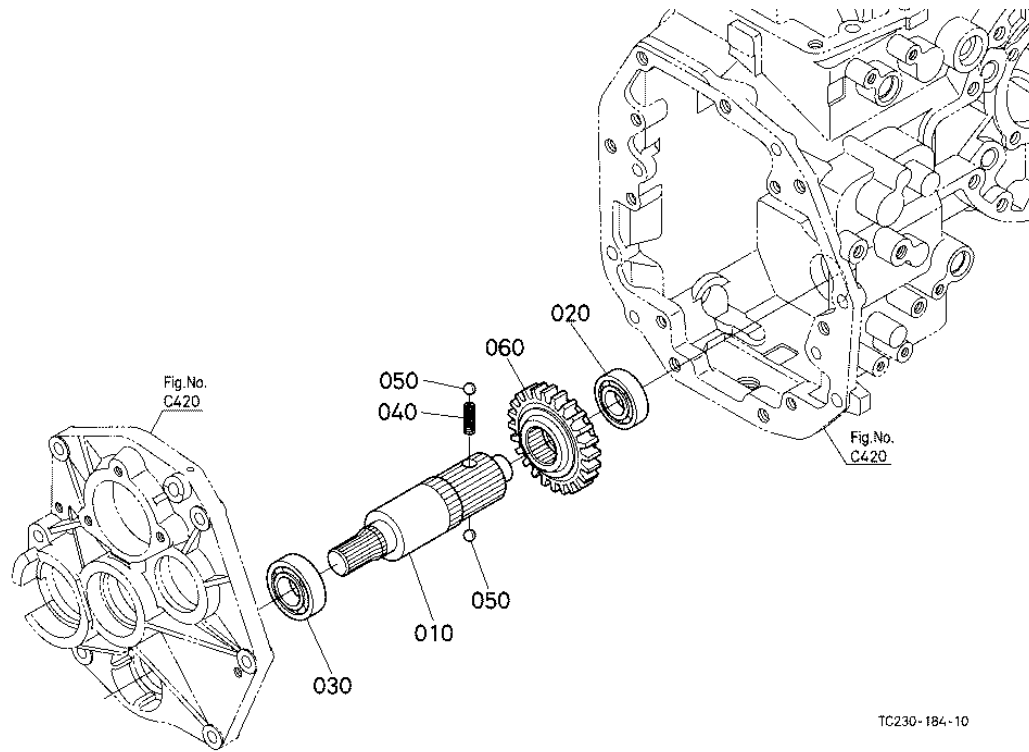
| Ref | Part Number | Part Name | Qty | IC | S/N | Lbs | Remarks |
|-----|-------------|-----------------|-----|----|-----|-------|---------|
| 010 | TC230-14640 | SHAFT PROPELLER | 1 | | | 5.06 | |
| 020 | T0070-14710 | COUPLING | 3 | | | 0.352 | |
| 030 | TC230-14720 | SPACER | 1 | | | 0.517 | |
| 040 | TD060-14590 | BEARING BALL | 1 | | | 0.088 | |
| 050 | 09500-28427 | SEAL OIL | 1 | | | 0.022 | |
| 060 | 52600-15550 | SLEEVE | 2 | | | 0.055 | |
| 080 | TD060-14654 | SPACER | 1 | | | 0.022 | |

PROPELLER SHAFT

| Ref | Part Number | Part Name | Qty | IC | S/N | Lbs | Remarks |
|-----|-------------|-------------------|-----|----|-----|-------|---------|
| 090 | 04611-00420 | CIR CLIP INTERNAL | 1 | | | 0.013 | |
| 100 | TA040-82180 | O RING | 1 | | | 0.002 | |
| 110 | TA040-82180 | O RING | 1 | | | 0.002 | |
| 120 | TC230-14630 | SHAFT PROPELLER | 1 | | | 2.024 | |
| 130 | 05411-00430 | PIN SPRING | 2 | | | 0.004 | |
| 140 | TD060-14580 | COVER SHAFT REAR | 1 | | | 0.572 | |
| 150 | TA040-14574 | COVER SHAFT FRONT | 1 | | | 0.726 | |
| 160 | TC050-14590 | BOLT WITH WASHER | 2 | | | 0.006 | |

FRONT WHEEL DRIVE SHAFT

Figure Num 01F122



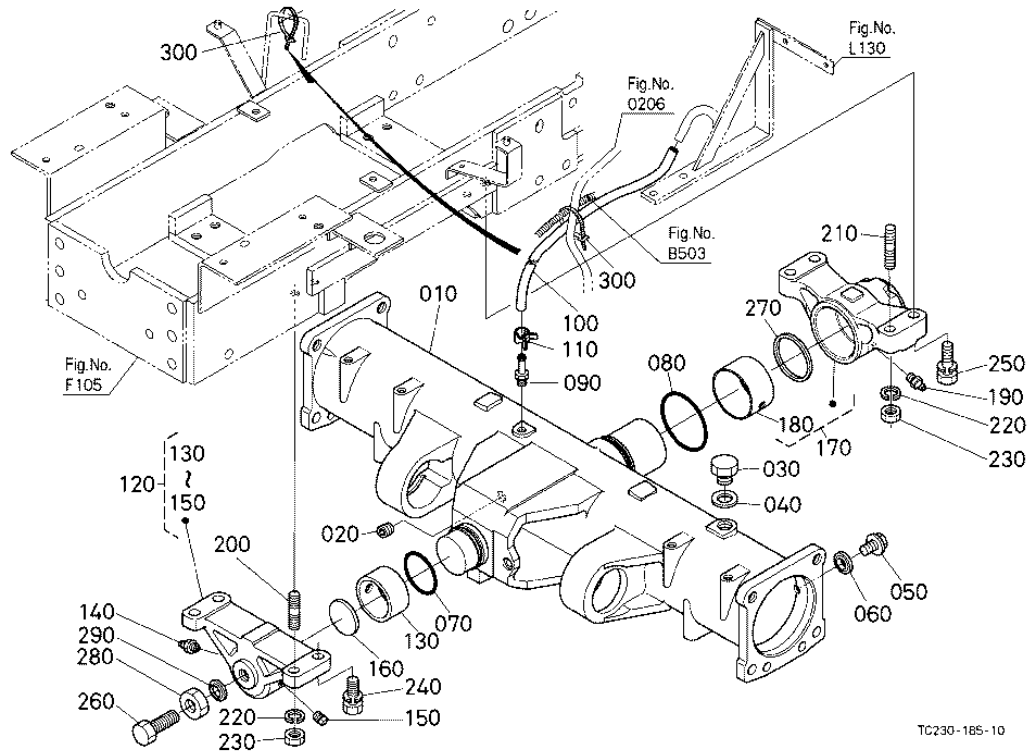
TC230-184-10

FRONT WHEEL DRIVE SHAFT

| Ref | Part Number | Part Name | Qty | IC | S/N | Lbs | Remarks |
|-----|-------------|----------------|-----|----|-----|-------|---------|
| 010 | TA040-15220 | SHAFT DRIVE | 1 | | | 2.475 | |
| 020 | 34070-22560 | BEARING BALL | 1 | | | 0.22 | |
| 030 | 37410-57190 | BEARING BALL | 1 | | | 0.308 | |
| 040 | 35260-24110 | SPRING | 1 | | | 0.044 | |
| 050 | 07715-01605 | BALL | 2 | | | 0.006 | |
| 060 | TA040-15170 | GEAR 4WD SHIFT | 1 | | | 1.375 | 24T |

FRONT DIFFERENTIAL CASE

Figure Num 01F125



FRONT DIFFERENTIAL CASE

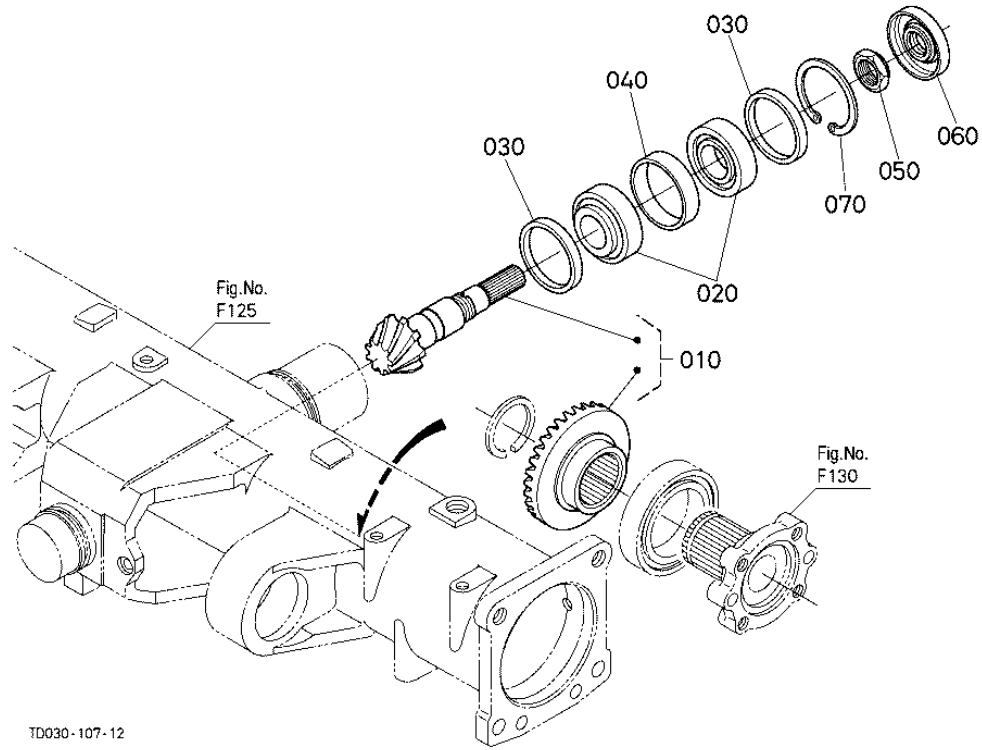
| Ref | Part Number | Part Name | Qty | IC | S/N | Lbs | Remarks |
|-----|-------------|--------------------|-----|----|-----|-------|---------|
| 010 | TD030-12004 | CASE FRONT AXLE | 1 | | | 61.6 | |
| 020 | 16851-96010 | PLUG | 1 | | | 0.033 | |
| 030 | 06331-35020 | PLUG | 1 | | | 0.149 | |
| 040 | 04724-00200 | GASKET | 1 | | | 0.006 | |
| 050 | 06331-45010 | PLUG | 1 | | | 0.044 | |
| 060 | 04717-01000 | WASHER WITH RUBBER | 1 | | | 0.002 | |
| 070 | 04816-00490 | O RING | 1 | | | 0.011 | |

FRONT DIFFERENTIAL CASE

| Ref | Part Number | Part Name | Qty | IC | S/N | Lbs | Remarks |
|-----|-------------|--------------------|-----|----|-----|-------|---------|
| 080 | 04811-50700 | O RING | 1 | | | 0.004 | |
| 090 | T0180-12070 | PIPE BREATHER | 1 | | | 0.033 | |
| 100 | 09663-80725 | TUBE FUEL | 1 | | | 0.176 | |
| 110 | 09318-88115 | CLAMP HOSE | 1 | | | 0.004 | |
| 120 | TA150-13500 | ASSY HOLDER FRONT | 1 | | | 4.84 | |
| 130 | 3A021-41680 | BUSH DU | 1 | | | 0.136 | |
| 140 | 06611-15010 | NIPPLE GREASE | 1 | | | 0.022 | |
| 150 | 06312-10010 | PLUG | 1 | | | 0.015 | |
| 160 | 37410-56180 | COLLAR THRUST | 1 | | | 0.132 | |
| 170 | TA140-13600 | ASSY HOLDER REAR | 1 | | | 7.04 | |
| 180 | TA140-13640 | BUSH | 1 | | | 0.198 | |
| 190 | 06613-10010 | NIPPLE GREASE | 1 | | | 0.013 | |
| 200 | 01574-61235 | STUD | 2 | | | 0.088 | |
| 210 | 01574-51245 | STUD | 2 | | | 0.11 | |
| 220 | 04512-60120 | WASHER SPRING | 4 | | | 0.011 | |
| 230 | 02176-50120 | NUT | 4 | | | 0.022 | |
| 240 | 01133-51235 | BOLT | 2 | | | 0.094 | |
| 250 | 01133-51245 | BOLT | 2 | | | 0.121 | |
| 260 | 01175-51645 | BOLT | 1 | | | 0.198 | |
| 270 | 34070-13620 | COLLAR THRUST | 1 | | | 0.11 | |
| 280 | 02176-50160 | NUT | 1 | | | 0.046 | |
| 290 | 04717-01610 | WASHER WITH RUBBER | 1 | | | 0.013 | |
| 300 | 44366-68380 | BAND CORD | 2 | | | 0.022 | |

BEVEL GEAR (FRONT)

Figure Num 01F127



BEVEL GEAR (FRONT)

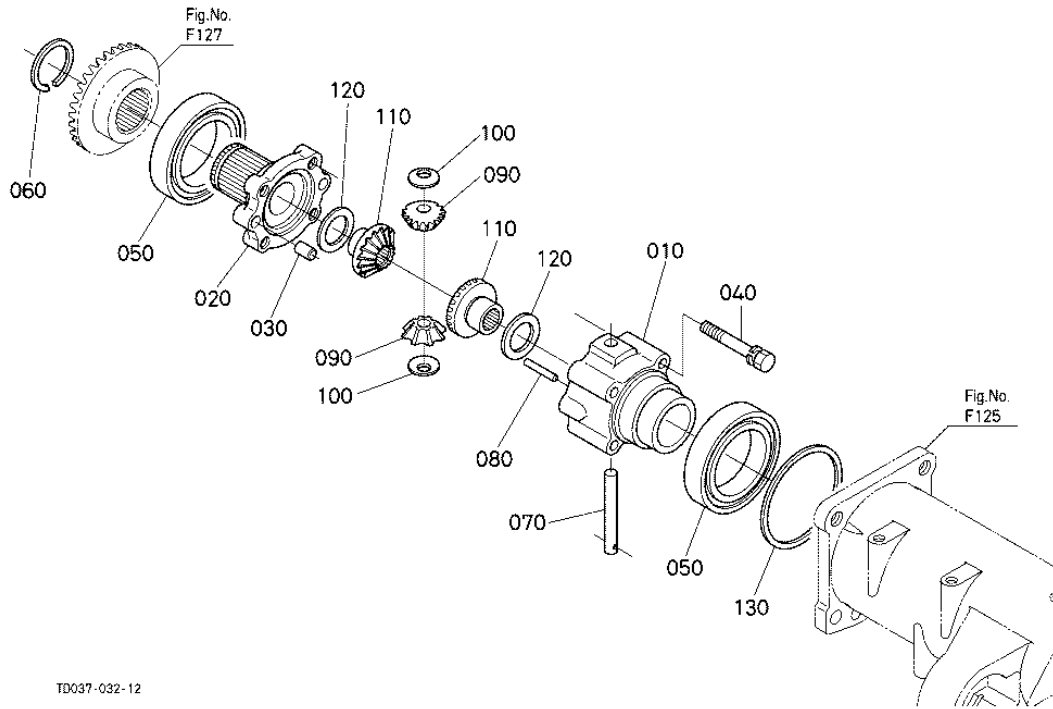
| Ref | Part Number | Part Name | Qty | IC | S/N | Lbs | Remarks |
|-----|-------------|----------------------|-----|----|-----|-------|---------|
| 010 | TD030-12010 | ASSY GEAR BEVEL | 1 | | | 3.96 | 9-23T |
| 020 | 34070-12200 | BEARING TAPER-ROLLER | 2 | | | 0.671 | |
| 030 | 34070-12100 | COLLAR | 2 | | | 0.044 | 6.2mm |
| 030 | 34070-12090 | COLLAR | 2 | | | 0.033 | 6.1mm |
| 030 | 34070-12080 | COLLAR | 2 | | | 0.033 | 6.0mm |
| 030 | 34070-12070 | COLLAR | 2 | | | 0.033 | 5.9mm |
| 030 | 34070-12060 | COLLAR | 2 | | | 0.033 | 5.8mm |

BEVEL GEAR (FRONT)

| Ref | Part Number | Part Name | Qty | IC | S/N | Lbs | Remarks |
|-----|-------------|-------------------|-----|----|-----|-------|---------|
| 040 | 34070-12170 | COLLAR | 1 | | | 0.066 | 10.2mm |
| 040 | 34070-12160 | COLLAR | 1 | | | 0.066 | 10.1mm |
| 040 | 3A221-43100 | COLLAR | 1 | | | 0.055 | 10.0mm |
| 040 | 34070-12140 | COLLAR | 1 | | | 0.044 | 9.9mm |
| 040 | 34070-12130 | COLLAR | 1 | | | 0.066 | 9.8mm |
| 050 | 37410-56710 | NUT | 1 | | | 0.066 | |
| 060 | 34070-12220 | SEAL OIL | 1 | | | 0.066 | |
| 070 | 04611-00580 | CIR CLIP INTERNAL | 1 | | | 0.011 | |

DIFFERENTIAL (FRONT)

Figure Num 01F130



DIFFERENTIAL (FRONT)

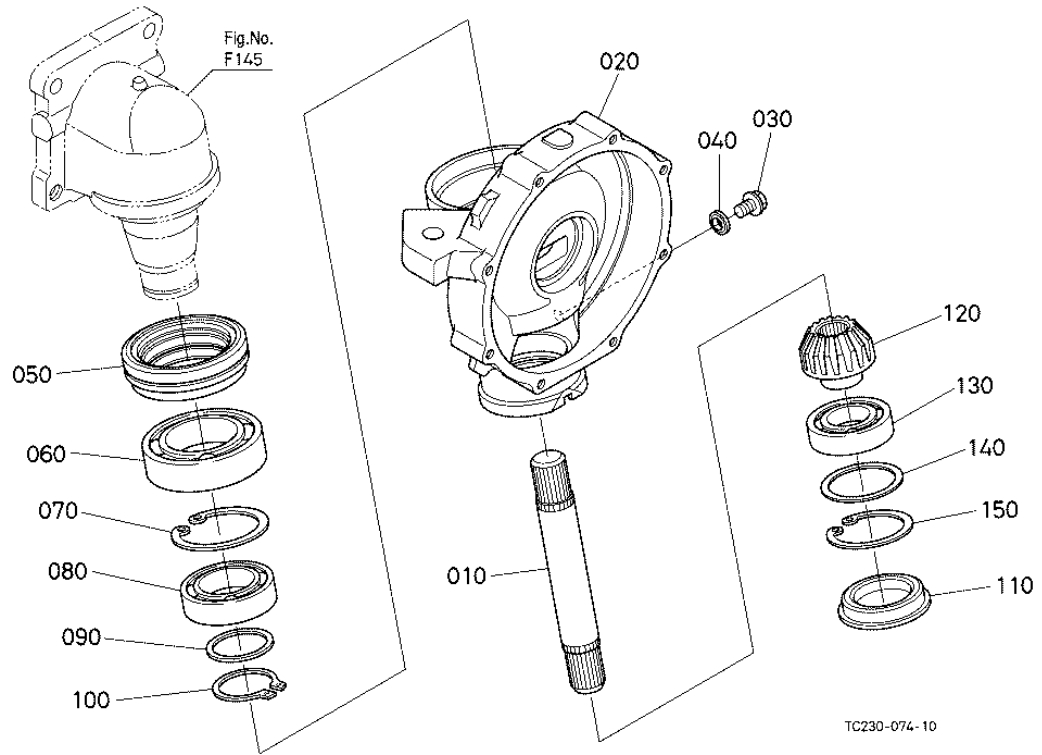
| Ref | Part Number | Part Name | Qty | IC | S/N | Lbs | Remarks |
|-----|-------------|-------------------|-----|----|-----|-------|---------|
| 010 | 34070-12250 | CASE DIFF. | 1 | | | 4.169 | |
| 020 | 32751-12260 | CASE DIFF. | 1 | | | 1.98 | |
| 030 | 05012-01020 | PIN STRAIGHT | 2 | | | 0.028 | |
| 040 | 01133-51075 | BOLT | 4 | | | 0.066 | |
| 050 | 08101-06212 | BEARING BALL | 2 | | | 1.716 | |
| 060 | 34070-12280 | CIR CLIP EXTERNAL | 1 | | | 0.011 | |
| 070 | 31353-43333 | SHAFT PINION | 1 | | | 0.286 | |

DIFFERENTIAL (FRONT)

| Ref | Part Number | Part Name | Qty | IC | S/N | Lbs | Remarks |
|-----|-------------|----------------------|-----|----|-----|-------|---------|
| 080 | 05012-00628 | PIN STRAIGHT | 1 | | | 0.013 | |
| 090 | 31353-43343 | PINION DIFF. | 2 | | | 0.22 | 12T |
| 100 | 67121-56670 | COLLAR PINION THRUST | 2 | | | 0.013 | |
| 110 | 31353-43353 | GEAR DIFF.SIDE | 2 | | | 0.418 | 24T |
| 120 | 67211-15170 | SHIM | 2 | | | 0.017 | 0.8mm |
| 120 | 67211-15180 | SHIM | 2 | | | 0.022 | 1.2mm |
| 120 | 31353-43360 | SHIM | 2 | | | 0.022 | 0.6mm |
| 120 | 31353-43370 | SHIM | 2 | | | 0.022 | 0.4mm |
| 120 | 67211-15160 | SHIM | 2 | | | 0.022 | 1.0mm |
| 130 | 34070-12340 | SHIM | 1 | | | 0.077 | 2.4mm |
| 130 | 34070-12300 | SHIM | 1 | | | 0.044 | 1.6mm |
| 130 | 34070-12310 | SHIM | 1 | | | 0.066 | 1.8mm |
| 130 | 34070-12320 | SHIM | 1 | | | 0.066 | 2.0mm |
| 130 | 34070-12330 | SHIM | 1 | | | 0.066 | 2.2mm |

FRONT AXLE CASE LH

Figure Num 01F141



FRONT AXLE CASE LH

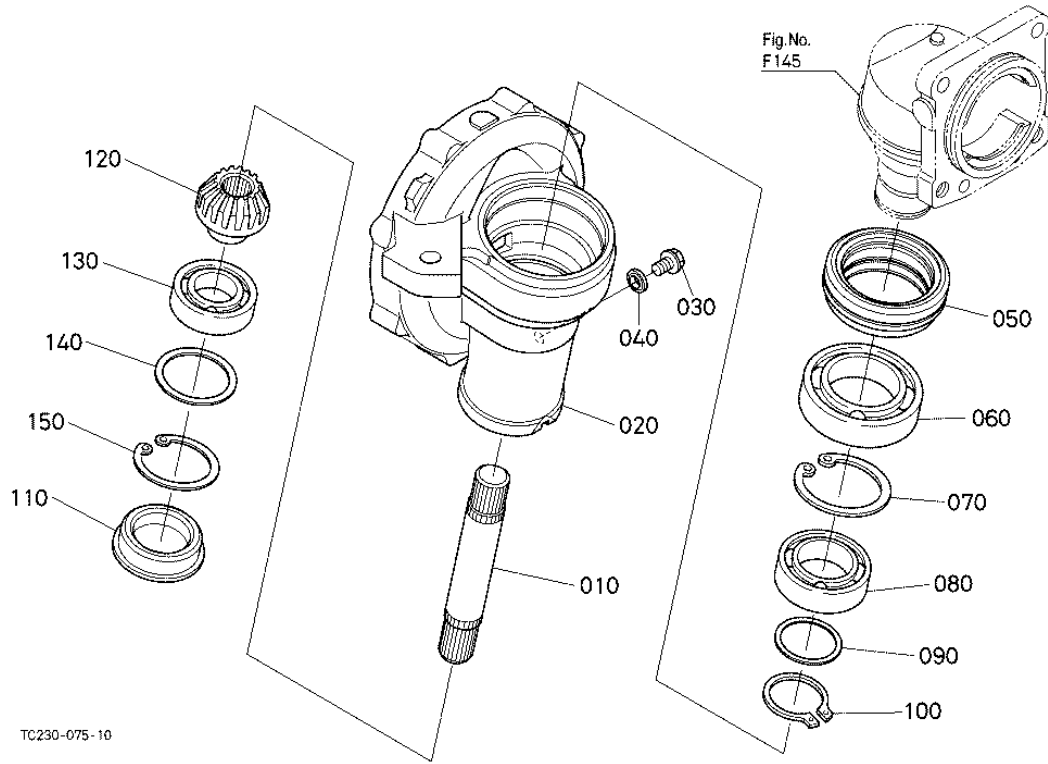
| Ref | Part Number | Part Name | Qty | IC | S/N | Lbs | Remarks |
|-----|-------------|--------------------|-----|----|-----|-------|---------|
| 010 | TD030-12722 | SHAFT BEVEL GEAR | 1 | | | 1.727 | |
| 020 | TD030-13020 | CASE FRONT GEAR LH | 1 | | | 19.14 | |
| 030 | 06331-45010 | PLUG | 1 | | | 0.044 | |
| 040 | 04717-01000 | WASHER WITH RUBBER | 1 | | | 0.002 | |
| 050 | TC230-13040 | SEAL OIL | 1 | | | 0.319 | |
| 060 | TD060-12810 | BEARING BALL | 1 | | | 0.002 | |
| 070 | 04611-00800 | CIR CLIP INTERNAL | 1 | | | 0.044 | |

FRONT AXLE CASE LH

| Ref | Part Number | Part Name | Qty | IC | S/N | Lbs | Remarks |
|-----|-------------|-------------------|-----|----|-----|-------|---------|
| 080 | TD030-12820 | BEARING BALL | 1 | | | 0.583 | |
| 090 | TA140-12160 | SHIM | 1 | | | 0.028 | 1.6mm |
| 090 | TA140-12080 | SHIM | 1 | | | 0.015 | 0.8mm |
| 090 | TA140-12100 | SHIM | 1 | | | 0.017 | 1.0mm |
| 090 | TA140-12120 | SHIM | 1 | | | 0.022 | 1.2mm |
| 090 | TA140-12140 | SHIM | 1 | | | 0.024 | 1.4mm |
| 100 | 04612-00500 | CIR CLIP EXTERNAL | 1 | | | 0.017 | |
| 110 | 34070-13100 | PLUG | 1 | | | 0.132 | |
| 120 | TD030-13200 | GEAR BEVEL | 1 | | | 1.045 | 11T |
| 130 | 08101-06207 | BEARING BALL | 1 | | | 0.616 | |
| 140 | 37410-57160 | SHIM | 1 | | | 0.022 | 1.0mm |
| 140 | 37410-57170 | SHIM | 1 | | | 0.024 | 1.2mm |
| 140 | 34070-12610 | SHIM | 1 | | | 0.033 | 1.4mm |
| 140 | 34070-12620 | SHIM | 1 | | | 0.033 | 1.6mm |
| 140 | 34070-12630 | SHIM | 1 | | | 0.033 | 1.8mm |
| 140 | 34070-12640 | SHIM | 1 | | | 0.044 | 2.0mm |
| 140 | 34070-12650 | SHIM | 1 | | | 0.044 | 2.2mm |
| 150 | 04611-00720 | CIR CLIP INTERNAL | 1 | | | 0.039 | |

FRONT AXLE CASE RH

Figure Num 01F142



TC230-075-10

FRONT AXLE CASE RH

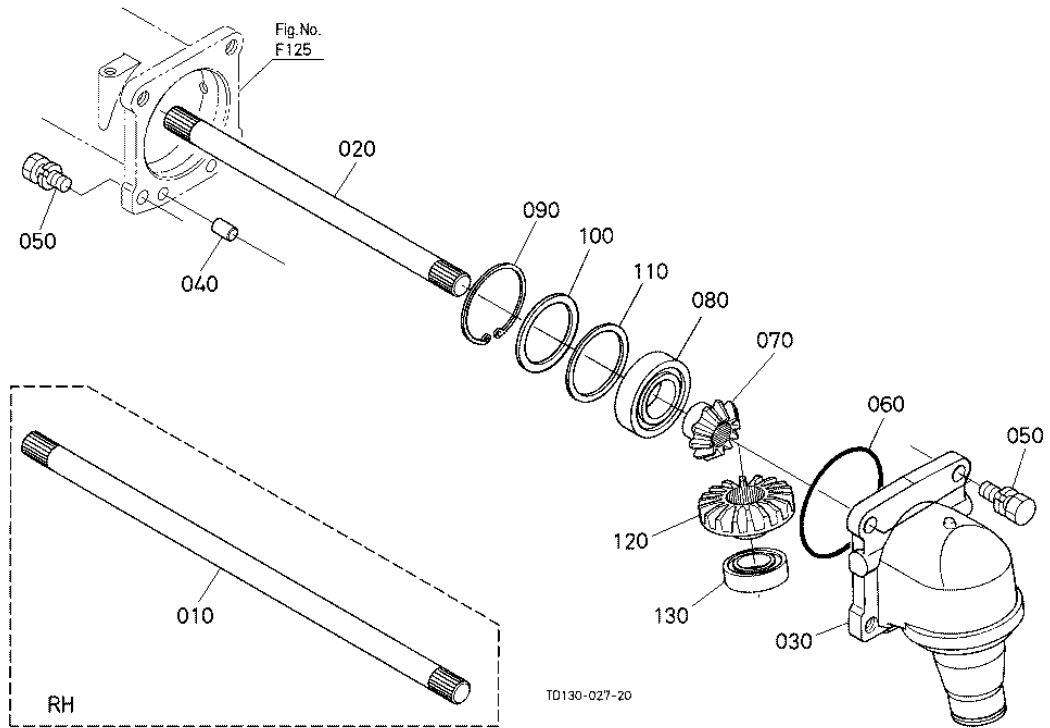
| Ref | Part Number | Part Name | Qty | IC | S/N | Lbs | Remarks |
|-----|-------------|--------------------|-----|----|-----|-------|---------|
| 010 | TD030-12722 | SHAFT BEVEL GEAR | 1 | | | 1.727 | |
| 020 | TD030-13010 | CASE FRONT GEAR RH | 1 | | | 19.14 | |
| 030 | 06331-45010 | PLUG | 1 | | | 0.044 | |
| 040 | 04717-01000 | WASHER WITH RUBBER | 1 | | | 0.002 | |
| 050 | TC230-13040 | SEAL OIL | 1 | | | 0.319 | |
| 060 | TD060-12810 | BEARING BALL | 1 | | | 0.002 | |
| 070 | 04611-00800 | CIR CLIP INTERNAL | 1 | | | 0.044 | |

FRONT AXLE CASE RH

| Ref | Part Number | Part Name | Qty | IC | S/N | Lbs | Remarks |
|-----|-------------|-------------------|-----|----|-----|-------|---------|
| 080 | TD030-12820 | BEARING BALL | 1 | | | 0.583 | |
| 090 | TA140-12160 | SHIM | 1 | | | 0.028 | 1.6mm |
| 090 | TA140-12080 | SHIM | 1 | | | 0.015 | 0.8mm |
| 090 | TA140-12100 | SHIM | 1 | | | 0.017 | 1.0mm |
| 090 | TA140-12120 | SHIM | 1 | | | 0.022 | 1.2mm |
| 090 | TA140-12140 | SHIM | 1 | | | 0.024 | 1.4mm |
| 100 | 04612-00500 | CIR CLIP EXTERNAL | 1 | | | 0.017 | |
| 110 | 34070-13100 | PLUG | 1 | | | 0.132 | |
| 120 | TD030-13200 | GEAR BEVEL | 1 | | | 1.045 | 11T |
| 130 | 08101-06207 | BEARING BALL | 1 | | | 0.616 | |
| 140 | 37410-57160 | SHIM | 1 | | | 0.022 | 1.0mm |
| 140 | 37410-57170 | SHIM | 1 | | | 0.024 | 1.2mm |
| 140 | 34070-12610 | SHIM | 1 | | | 0.033 | 1.4mm |
| 140 | 34070-12620 | SHIM | 1 | | | 0.033 | 1.6mm |
| 140 | 34070-12630 | SHIM | 1 | | | 0.033 | 1.8mm |
| 140 | 34070-12640 | SHIM | 1 | | | 0.044 | 2.0mm |
| 140 | 34070-12650 | SHIM | 1 | | | 0.044 | 2.2mm |
| 150 | 04611-00720 | CIR CLIP INTERNAL | 1 | | | 0.039 | |

DIFFERENTIAL GEAR SHAFT

Figure Num 01F145



DIFFERENTIAL GEAR SHAFT

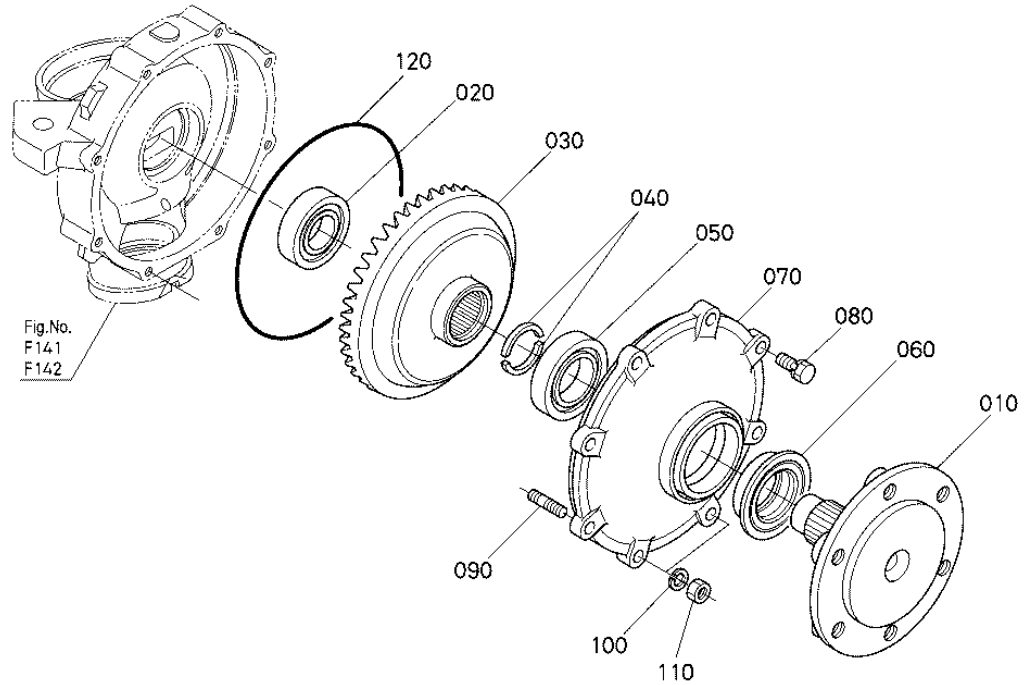
| Ref | Part Number | Part Name | Qty | IC | S/N | Lbs | Remarks |
|-----|-------------|-----------------|-----|----|-----|-------|---------|
| 010 | T0070-12450 | SHAFT YOKE LH | 1 | | | 3.894 | RH |
| 020 | T0070-12460 | SHAFT YOKE RH | 1 | | | 2.42 | LH |
| 030 | TA140-12800 | CASE BEVEL GEAR | 2 | | | 9.68 | |
| 040 | 31353-43880 | PIN STRAIGHT | 4 | | | 0.044 | |
| 050 | 01133-51435 | BOLT | 8 | | | 0.002 | |
| 060 | 04811-51050 | O RING | 2 | | | 0.006 | |
| 070 | TA040-12520 | GEAR BEVEL | 2 | | | 0.814 | 11T |

DIFFERENTIAL GEAR SHAFT

| Ref | Part Number | Part Name | Qty | IC | S/N | Lbs | Remarks |
|-----|-------------|-------------------|-----|----|-----|-------|---------|
| 080 | TD030-12540 | BEARING BALL | 2 | | | 0.99 | |
| 090 | 04611-00800 | CIR CLIP INTERNAL | 2 | | | 0.044 | |
| 100 | TA040-12702 | COLLAR | 2 | | | 0.077 | |
| 110 | 31353-43750 | SHIM | 2 | | | 0.017 | 0.4mm |
| 110 | 31353-43760 | SHIM | 2 | | | 0.022 | 0.6mm |
| 110 | 31353-43770 | SHIM | 2 | | | 0.033 | 0.8mm |
| 110 | 31353-43780 | SHIM | 2 | | | 0.030 | 1.0mm |
| 110 | 31353-43790 | SHIM | 2 | | | 0.033 | 1.2mm |
| 120 | TA040-12530 | GEAR BEVEL | 2 | | | 1.474 | 16T |
| 130 | 08101-06207 | BEARING BALL | 2 | | | 0.616 | |

FRONT AXLE

Figure Num 01F150



TC232-004-10

FRONT AXLE

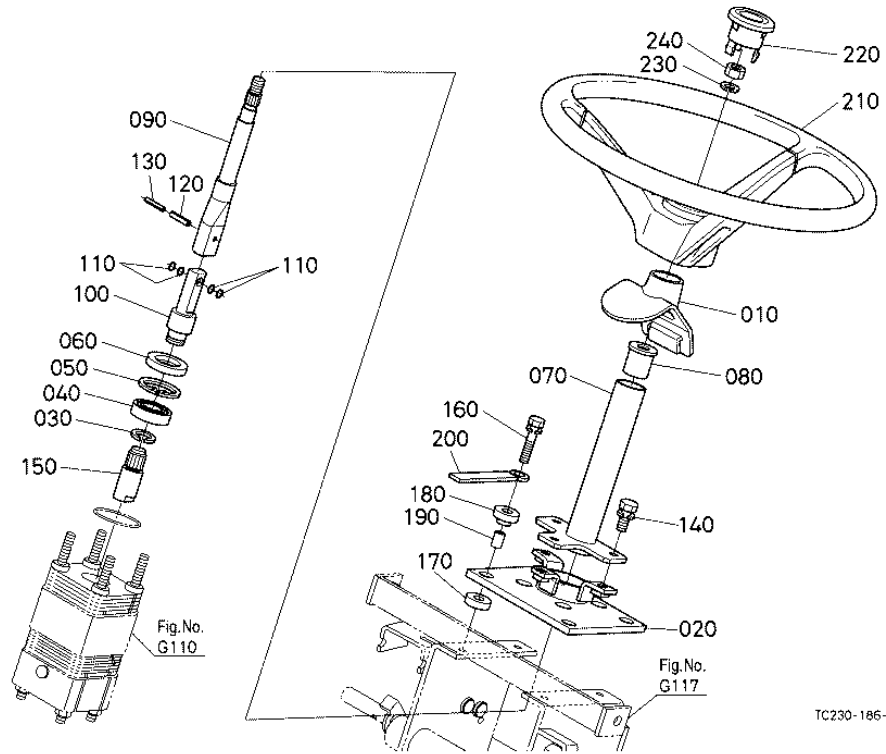
| Ref | Part Number | Part Name | Qty | IC | S/N | Lbs | Remarks |
|-----|-------------|------------------|-----|----|-----|-------|---------|
| 010 | T1850-13330 | AXLE FRONT | 2 | | | 7.59 | |
| 020 | TA140-13140 | BEARING BALL | 2 | | | 0.55 | |
| 030 | TD030-13210 | GEAR BEVEL | 2 | | | 11.88 | 42T |
| 040 | 34070-13350 | COLLAR | 4 | | | 0.022 | |
| 050 | TD030-13150 | BEARING BALL | 2 | | | 0.792 | |
| 060 | 34070-13370 | SEAL OIL | 2 | | | 0.22 | |
| 070 | TA040-13133 | COVER FRONT AXLE | 2 | | | 6.71 | |

FRONT AXLE

| Ref | Part Number | Part Name | Qty | IC | S/N | Lbs | Remarks |
|-----|-------------|---------------|-----|----|-----|-------|---------|
| 080 | 01123-50825 | BOLT | 12 | | | 0.028 | |
| 090 | 01513-60825 | STUD | 4 | | | 0.026 | |
| 100 | 04512-60080 | WASHER SPRING | 4 | | | 0.004 | |
| 110 | 02156-50080 | NUT | 4 | | | 0.008 | |
| 120 | 31353-44130 | O RING | 2 | | | 0.022 | |

STEERING HANDLE

Figure Num 01G101



STEERING HANDLE

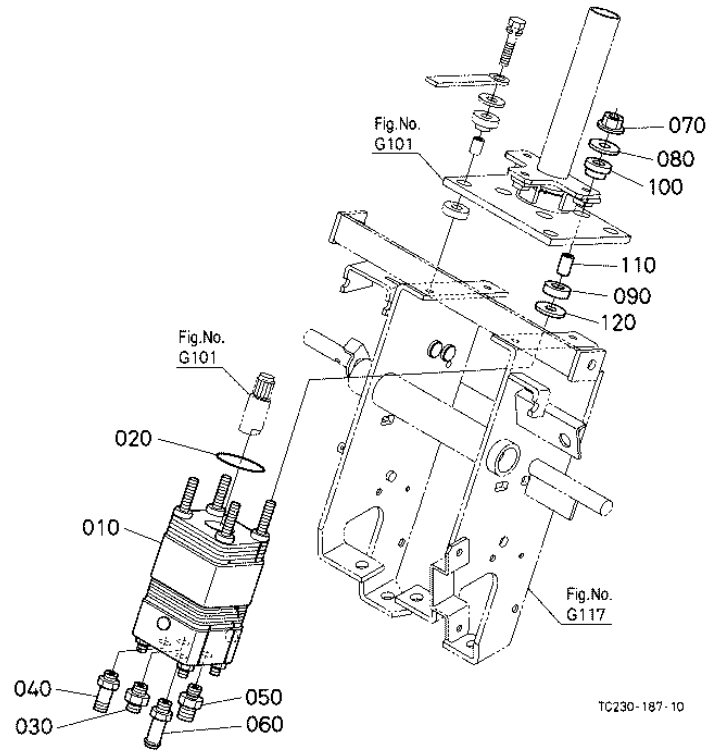
| Ref | Part Number | Part Name | Qty | IC | S/N | Lbs | Remarks |
|-----|-------------|-------------------|-----|----|-----|-------|---------|
| 010 | TC230-16860 | COVER | 1 | | | 0.077 | |
| 020 | TC230-43623 | POST STEERING | 1 | | | 2.277 | |
| 030 | 04612-00200 | CIR CLIP EXTERNAL | 1 | | | 0.002 | |
| 040 | TD060-18250 | BEARING BALL | 1 | | | 0.143 | |
| 050 | 04611-00420 | CIR CLIP INTERNAL | 1 | | | 0.013 | |
| 060 | 09500-25428 | SEAL OIL | 1 | | | 0.028 | |
| 070 | TC230-43610 | POST STEERING | 1 | | | 0.682 | |

STEERING HANDLE

| Ref | Part Number | Part Name | Qty | IC | S/N | Lbs | Remarks |
|-----|-------------|----------------|-----|----|-----|-------|---------|
| 080 | TC030-41340 | BUSH | 1 | | | 0.033 | |
| 090 | TC030-43680 | SHAFT STEERING | 1 | | | 0.737 | |
| 100 | TC230-43690 | SHAFT STEERING | 1 | | | 0.352 | |
| 110 | 04817-00060 | O RING | 4 | | | 0.004 | |
| 120 | 05411-00522 | PIN SPRING | 1 | | | 0.004 | |
| 130 | 05411-00322 | PIN SPRING | 1 | | | 0.002 | |
| 140 | 01123-50820 | BOLT | 3 | | | 0.024 | |
| 150 | TC230-18240 | SHAFT JOINT | 1 | | | 0.204 | |
| 160 | 01027-50635 | BOLT | 4 | | | 0.028 | |
| 170 | TC030-46132 | CUSHION | 4 | | | 0.008 | |
| 180 | TC030-63222 | CUSHION LOWER | 4 | | | 0.008 | |
| 190 | TC030-63210 | COLLAR | 4 | | | 0.015 | |
| 200 | 13824-67580 | CLAMP CORD | 1 | | | 0.013 | |
| 210 | TD060-18110 | WHEEL STEERING | 1 | | | 5.5 | |
| 220 | TC230-18120 | PAD STEERING | 1 | | | 0.044 | |
| 230 | 04512-60120 | WASHER SPRING | 1 | | | 0.011 | |
| 240 | 02176-50120 | NUT | 1 | | | 0.022 | |

STEERING CONTROLLER

Figure Num 01G110



STEERING CONTROLLER

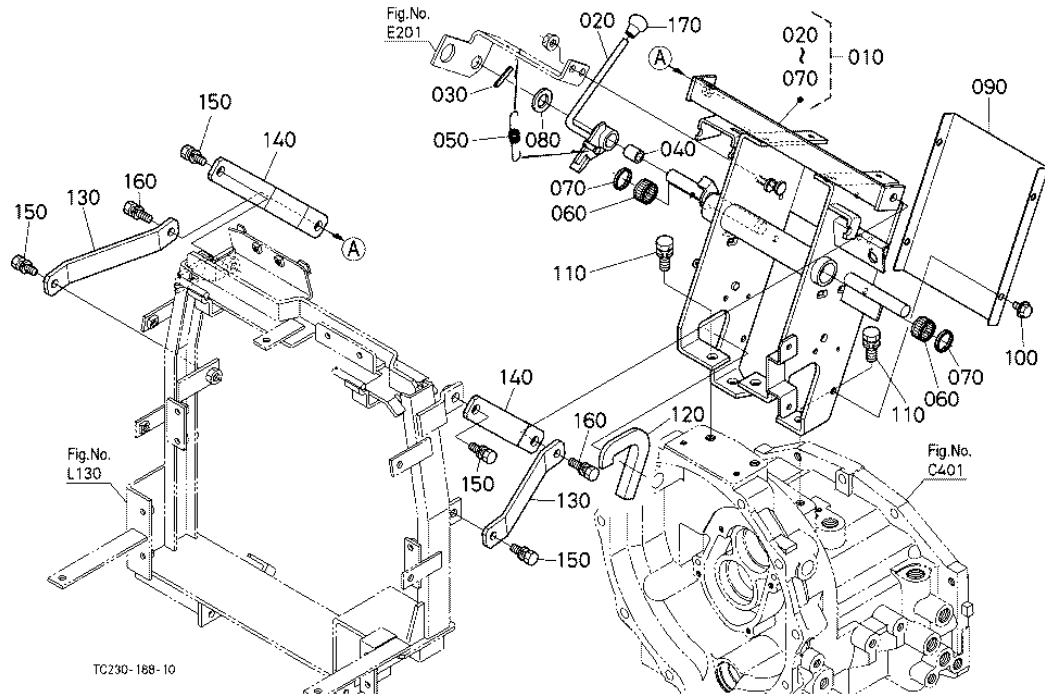
| Ref | Part Number | Part Name | Qty | IC | S/N | Lbs | Remarks |
|-----|-------------|-------------------|-----|----|-----|-------|---------|
| 010 | TC230-37000 | CONTROLLER | 1 | | | 9.9 | |
| 020 | 04816-06420 | O RING | 1 | | | 0.002 | |
| 030 | TD060-37320 | JOINT PS CYLINDER | 1 | | | 0.077 | |
| 040 | TD060-37340 | JOINT PS CYLINDER | 1 | | | 0.121 | |
| 050 | TC230-37300 | JOINT PIPE | 1 | | | 0.092 | |
| 060 | TD060-37330 | JOINT RETURN | 1 | | | 0.077 | |
| 070 | 16429-92010 | NUT | 4 | | | 0.015 | |

STEERING CONTROLLER

| Ref | Part Number | Part Name | Qty | IC | S/N | Lbs | Remarks |
|-----|-------------|--------------|-----|----|-----|-------|---------|
| 080 | 04013-60080 | WASHER PLAIN | 4 | | | 0.004 | |
| 090 | TC230-48330 | CUSHION | 4 | | | 0.004 | |
| 100 | TC230-48320 | CUSHION | 4 | | | 0.004 | |
| 110 | TC230-48312 | COLLAR | 4 | | | 0.011 | |
| 120 | 04013-60080 | WASHER PLAIN | 4 | | | 0.004 | |

STEERING SUPPORT

Figure Num 01G117



STEERING SUPPORT

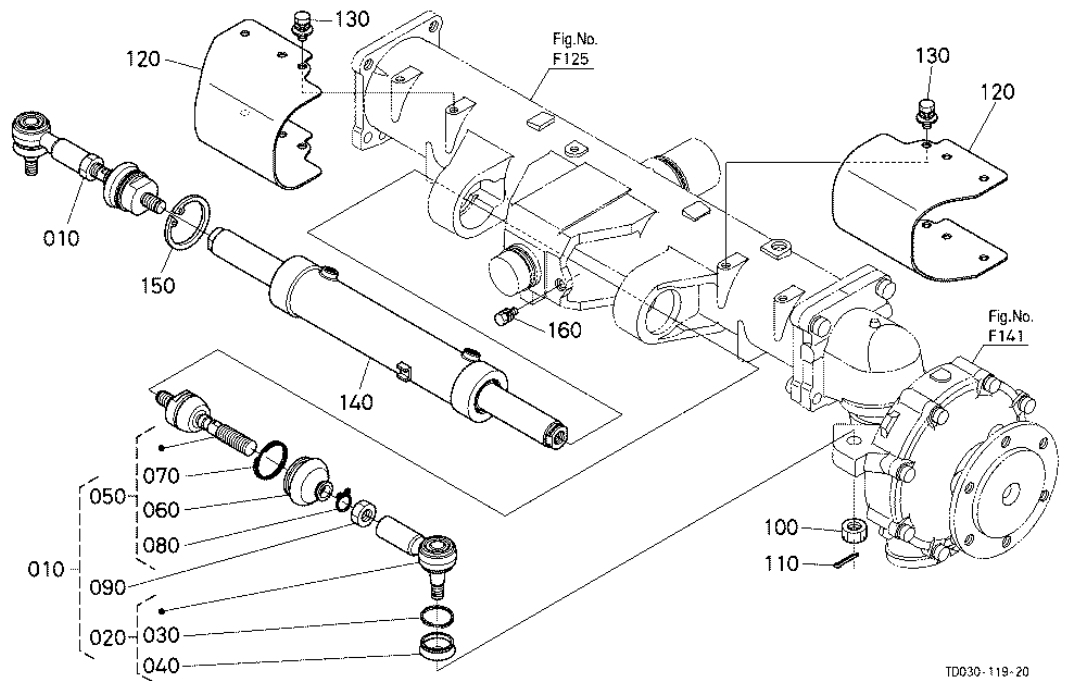
| Ref | Part Number | Part Name | Qty | IC | S/N | Lbs | Remarks |
|-----|-------------|--------------------|-----|----|-----|-------|---------|
| 010 | TC230-55610 | COMP.SUPP.STEERING | 1 | | | 0 | |
| 020 | TC230-44412 | LOCK PARKING LEVER | 1 | | | 0 | |
| 030 | 05411-00532 | PIN SPRING | 1 | | | 0.006 | |
| 040 | 08511-01820 | BUSH | 1 | | | 0.019 | |
| 050 | TC030-44420 | SPRING | 1 | | | 0.006 | |
| 060 | T1850-44360 | BEARING NEEDLE | 2 | | | 0.022 | |
| 070 | 34070-44140 | SEAL OIL | 2 | | | 0.011 | |

STEERING SUPPORT

| Ref | Part Number | Part Name | Qty | IC | S/N | Lbs | Remarks |
|-----|-------------|---------------------|-----|----|-----|-------|---------|
| 090 | TC232-42080 | PLATE STEER.SUPPORT | 1 | | | 0.924 | |
| 100 | 01754-50812 | BOLT FLANGE | 4 | | | 0.022 | |
| 110 | 01133-51225 | BOLT | 4 | | | 0.077 | |
| 120 | TC030-43330 | GROMMET | 1 | | | 0.074 | |
| 130 | TC230-45693 | PLATE STEER.SUPPORT | 2 | | | 0.572 | |
| 140 | TC230-45670 | PLATE STEER.SUPPORT | 2 | | | 0.726 | |
| 150 | 01133-51025 | BOLT | 4 | | | 0.050 | |
| 160 | 01133-51030 | BOLT | 2 | | | 0.055 | |
| 170 | TC220-28870 | GRIP | 1 | | | 0.006 | |

TIE ROD/STEERING CYLINDER

Figure Num 01G180



TD030-119-20

TIE ROD/STEERING CYLINDER

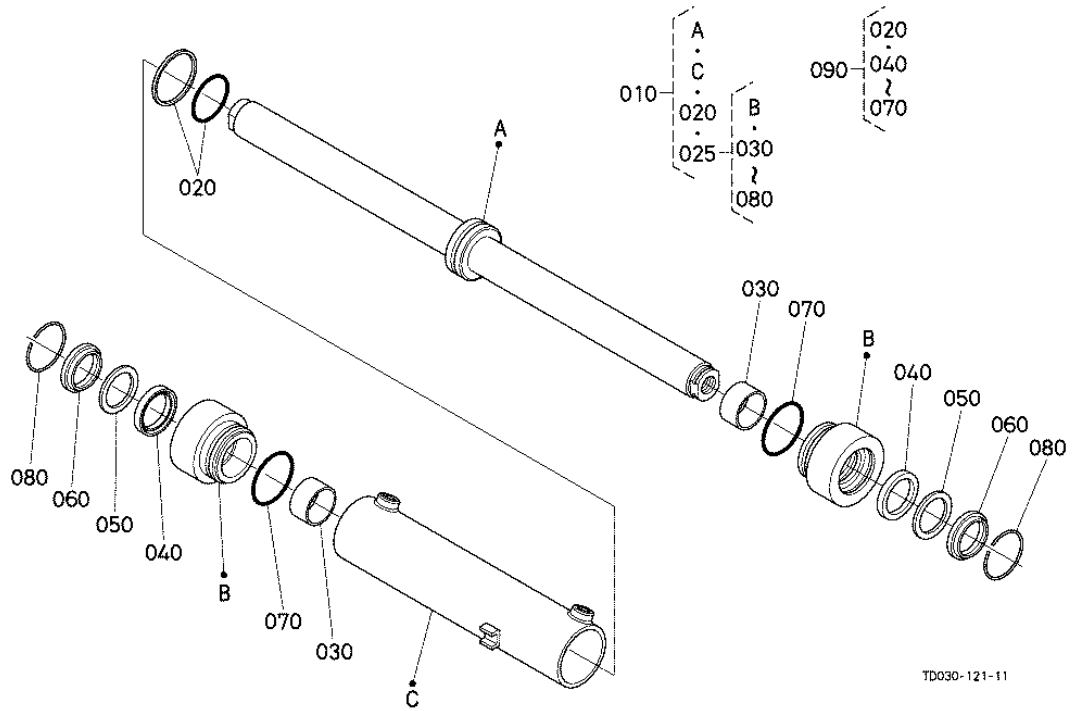
| Ref | Part Number | Part Name | Qty | IC | S/N | Lbs | Remarks |
|-----|-------------|---------------|-----|----|-----|-------|---------|
| 010 | TD030-13700 | ASSY ROD TIE | 2 | | | 2.728 | |
| 020 | TD030-13710 | END TIE ROD | 2 | | | 1.243 | |
| 030 | 35270-12660 | CLIP | 2 | | | 0.011 | |
| 040 | 32580-44780 | COVER DUST | 2 | | | 0.022 | |
| 050 | 35080-44662 | JOINT TIE ROD | 2 | | | 1.21 | |
| 060 | 35080-44680 | COVER DUST | 2 | | | 0.063 | |
| 070 | 35533-62860 | RING SET | 2 | | | 0.011 | |

TIE ROD/STEERING CYLINDER

| Ref | Part Number | Part Name | Qty | IC | S/N | Lbs | Remarks |
|-----|-------------|--------------------|-----|----|-----|-------|---------|
| 080 | 35080-44690 | CLIP | 2 | | | 0.004 | |
| 090 | 02172-50200 | NUT | 2 | | | 0.066 | |
| 100 | 36330-62750 | NUT | 2 | | | 0.048 | |
| 110 | 05511-50328 | PIN SPLIT | 2 | | | 0.004 | |
| 120 | TD030-14313 | COVER | 2 | | | 1.397 | |
| 130 | 01135-61020 | BOLT | 6 | | | 0.033 | |
| 140 | TD030-37800 | CYLINDER HYDRAULIC | 1 | | | 0.002 | |
| 150 | 04611-00680 | CIR CLIP INTERNAL | 1 | | | 0.035 | |
| 160 | 01123-60816 | BOLT | 1 | | | 0.022 | |

STEERING CYLINDER [COMPONENT PARTS]

Figure Num 01G185



TD030-121-11

STEERING CYLINDER [COMPONENT PARTS]

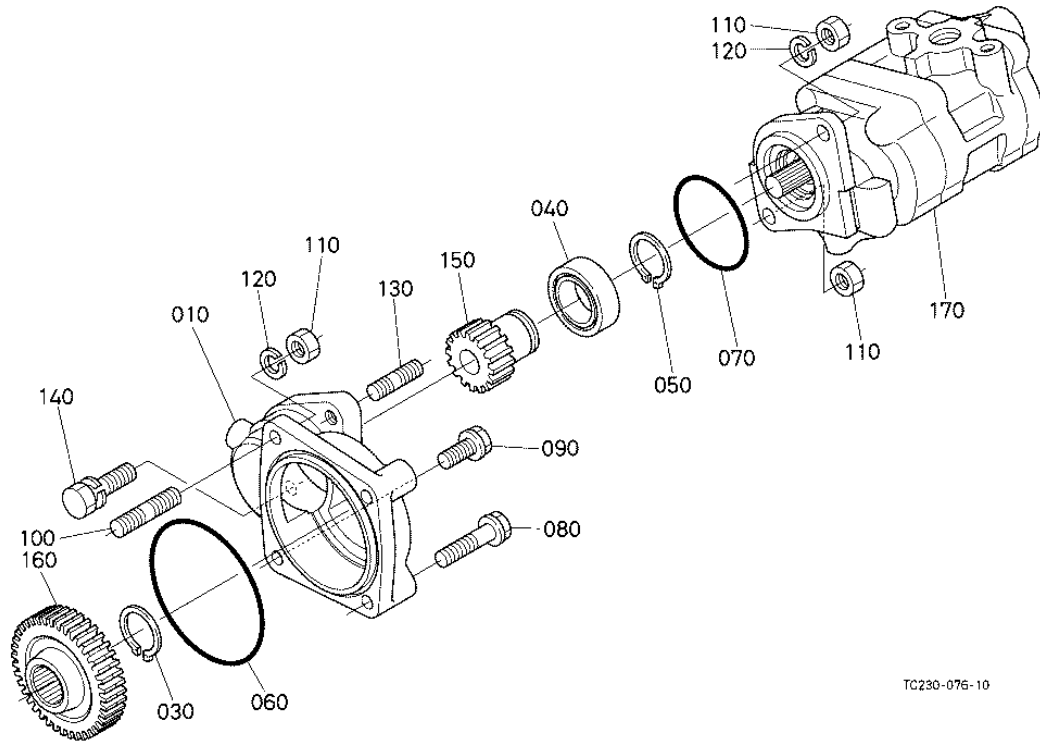
| Ref | Part Number | Part Name | Qty | IC | S/N | Lbs | Remarks |
|-----|-------------|--------------------|-----|----|-----|-------|---------|
| 010 | TD030-37800 | CYLINDER HYDRAULIC | 1 | | | 0.002 | |
| 020 | TD060-37570 | SEAL PISTON | 1 | | | 0.022 | |
| 025 | TD060-37840 | ASSY END ROD | 2 | | | 1.54 | |
| 030 | TD060-37920 | BUSH | 2 | | | 0.070 | |
| 040 | TD060-37560 | SEAL ROD | 2 | | | 0.011 | |
| 050 | TD060-37930 | RING BACK UP | 2 | | | 0.011 | |
| 060 | TD060-37580 | SEAL DUST | 2 | | | 0.035 | |

STEERING CYLINDER [COMPONENT PARTS]

| Ref | Part Number | Part Name | Qty | IC | S/N | Lbs | Remarks |
|-----|-------------|-----------|-----|----|-----|-------|---------|
| 070 | TD060-37940 | O RING | 2 | | | 0.004 | |
| 080 | TD060-37960 | RING SNAP | 2 | | | 0.006 | |
| 090 | TD060-37950 | KIT SEAL | 1 | | | 0.140 | OPTION |

HYDRAULIC PUMP

Figure Num 01H120



TC230-076-10

HYDRAULIC PUMP

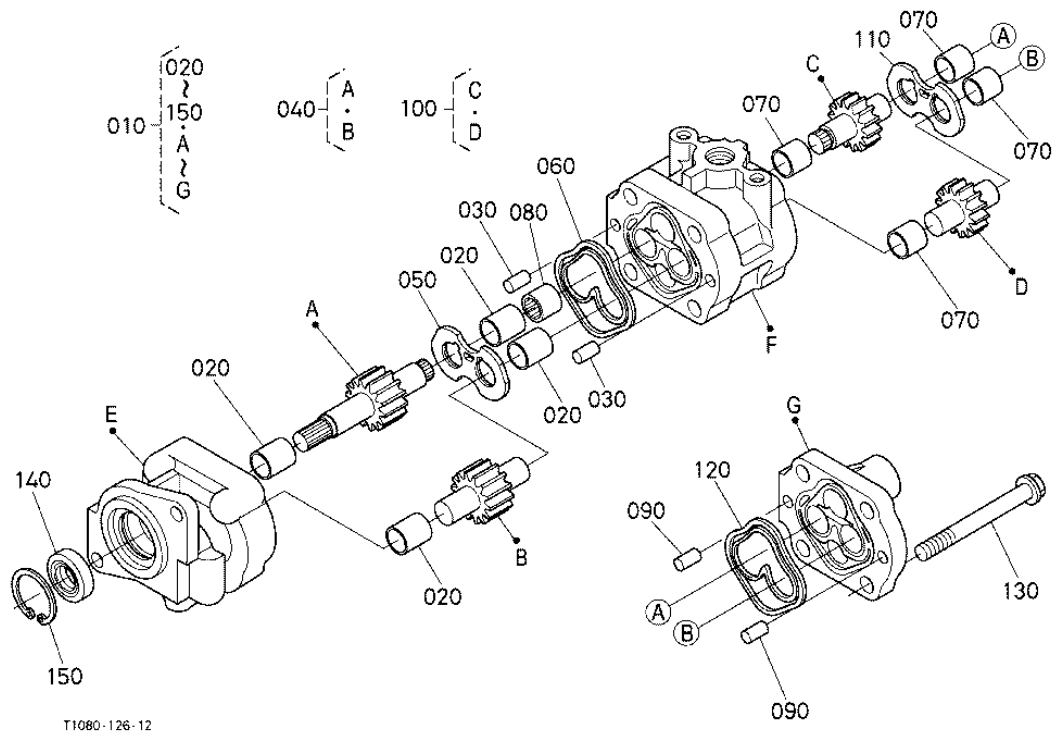
| Ref | Part Number | Part Name | Qty | IC | S/N | Lbs | Remarks |
|-----|-------------|-------------------|-----|----|-----|-------|---------|
| 010 | 34070-33612 | HOLDER PUMP | 1 | | | 0.825 | |
| 030 | 15471-95360 | CIR CLIP EXTERNAL | 1 | | | 0.008 | |
| 040 | TD060-36850 | BEARING BALL | 1 | | | 0.418 | |
| 050 | 04612-00250 | CIR CLIP EXTERNAL | 1 | | | 0.004 | |
| 060 | 04811-10850 | O RING | 1 | | | 0.004 | |
| 070 | T1060-36620 | O RING | 1 | | | 0.002 | |
| 080 | 01754-50840 | BOLT FLANGE | 2 | | | 0.044 | |

HYDRAULIC PUMP

| Ref | Part Number | Part Name | Qty | IC | S/N | Lbs | Remarks |
|-----|-------------|---------------------|-----|----|-----|-------|---------|
| 090 | 01754-50820 | BOLT FLANGE | 1 | | | 0.033 | |
| 100 | 38240-36330 | STUD | 1 | | | 0.017 | |
| 110 | 02156-50080 | NUT | 3 | | | 0.008 | |
| 120 | 04512-60080 | WASHER SPRING | 2 | | | 0.004 | |
| 130 | 01513-60820 | STUD | 1 | | | 0.033 | |
| 140 | 01123-50835 | BOLT | 1 | | | 0.044 | |
| 150 | T1062-36820 | GEAR PUMP DRIVE | 1 | | | 0.33 | 17T |
| 160 | TC230-36810 | GEAR PUMP DRIVE | 1 | | | 0.99 | 41T |
| 170 | T1150-36403 | ASSY PUMP HYDRAULIC | 1 | | | 6.05 | |

HYDRAULIC PUMP [COMPONENT PARTS]

Figure Num 01H125



T1080-126-12

HYDRAULIC PUMP [COMPONENT PARTS]

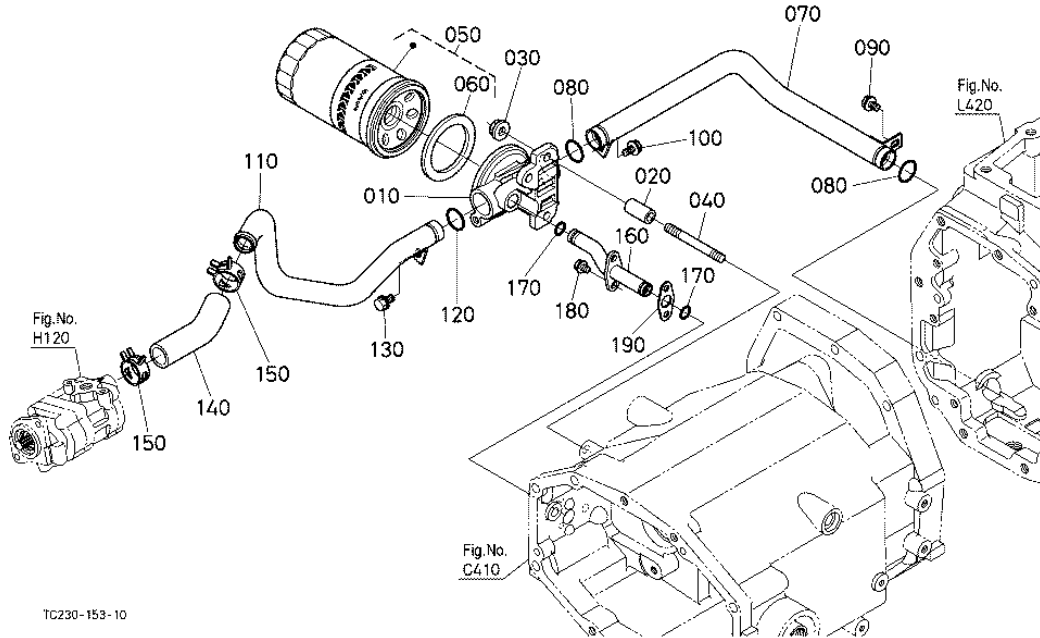
| Ref | Part Number | Part Name | Qty | IC | S/N | Lbs | Remarks |
|-----|-------------|---------------------|-----|----|-----|-------|---------|
| 010 | T1150-36403 | ASSY PUMP HYDRAULIC | 1 | | | 6.05 | |
| 020 | K3511-36762 | BUSH | 4 | | | 0.022 | |
| 030 | 05014-00816 | PIN STRAIGHT | 2 | | | 0.011 | |
| 040 | T1060-36450 | COMP.GEAR HYD.PUMP | 1 | | | 0.726 | |
| 050 | 6C140-36350 | PLATE SIDE | 1 | | | 0.11 | |
| 060 | 6C040-36344 | RING DOUBLE | 1 | | | 0.006 | |
| 070 | 6A100-37232 | BUSH | 4 | | | 0.011 | |

HYDRAULIC PUMP [COMPONENT PARTS]

| Ref | Part Number | Part Name | Qty | IC | S/N | Lbs | Remarks |
|-----|-------------|--------------------|-----|----|-----|-------|---------|
| 080 | 6A100-37430 | COUPLING | 1 | | | 0.022 | |
| 090 | 05014-00816 | PIN STRAIGHT | 2 | | | 0.011 | |
| 100 | T1060-36550 | COMP.GEAR HYD.PUMP | 1 | | | 0.44 | |
| 110 | 6C140-36350 | PLATE SIDE | 1 | | | 0.11 | |
| 120 | 6C040-36344 | RING DOUBLE | 1 | | | 0.006 | |
| 130 | 01754-51090 | BOLT FLANGE | 4 | | | 0.11 | |
| 140 | 31381-76390 | SEAL OIL | 1 | | | 0.022 | |
| 150 | 04611-00300 | CIR CLIP INTERNAL | 1 | | | 0.008 | |

HYDRAULIC OIL LINE (INLET)

Figure Num 01H205



HYDRAULIC OIL LINE (INLET)

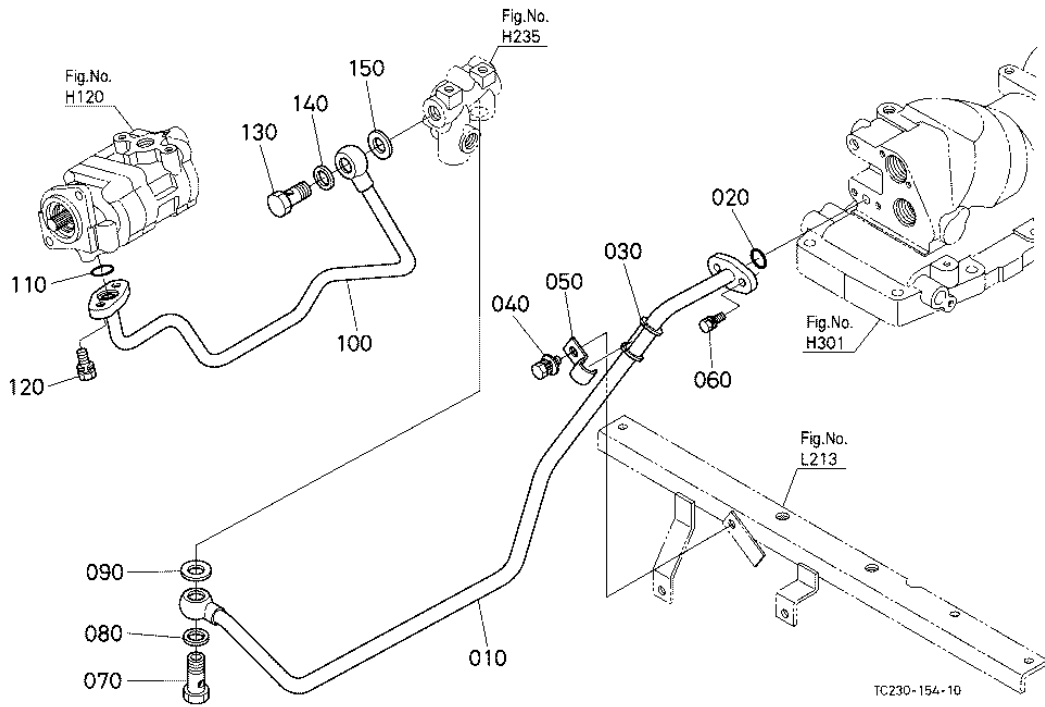
| Ref | Part Number | Part Name | Qty | IC | S/N | Lbs | Remarks |
|-----|-------------|-------------------|-----|----|-----|-------|---------|
| 010 | TC230-33210 | BRACKET FILTER | 1 | | | 1.342 | |
| 020 | TC230-56340 | COLLAR | 2 | | | 0.290 | |
| 030 | 02771-60100 | NUT FLANGE | 2 | | | 0.022 | |
| 040 | 01517-51060 | STUD | 2 | | | 0.092 | |
| 050 | HHTA0-37710 | ASSY FILTER OIL | 1 | | | 1.606 | |
| 060 | T0070-37720 | MAGNET OIL FILTER | 1 | | | 0.088 | |
| 070 | TC230-56310 | PIPE INLET | 1 | | | 0.968 | |

HYDRAULIC OIL LINE (INLET)

| Ref | Part Number | Part Name | Qty | IC | S/N | Lbs | Remarks |
|-----|-------------|------------------|-----|----|-----|-------|---------|
| 080 | 04816-07230 | O RING | 2 | | | 0.004 | |
| 090 | 01754-50812 | BOLT FLANGE | 1 | | | 0.022 | |
| 100 | 01754-50816 | BOLT FLANGE | 1 | | | 0.024 | |
| 110 | TC230-56320 | PIPE INLET | 1 | | | 1.034 | |
| 120 | 04816-07230 | O RING | 1 | | | 0.004 | |
| 130 | 01754-50816 | BOLT FLANGE | 1 | | | 0.024 | |
| 140 | TA040-33340 | HOSE INLET | 1 | | | 0.226 | |
| 150 | 16241-72970 | BAND PIPE | 2 | | | 0.033 | |
| 160 | TC230-56332 | PIPE SUCTION HST | 1 | | | 0.242 | |
| 170 | 04816-00140 | O RING | 2 | | | 0.004 | |
| 180 | 01754-50812 | BOLT FLANGE | 2 | | | 0.022 | |
| 190 | TD170-56342 | GASKET PIPE | 1 | | | 0.002 | |

HYDRAULIC OIL LINE (DELIVERY)

Figure Num 01H210



HYDRAULIC OIL LINE (DELIVERY)

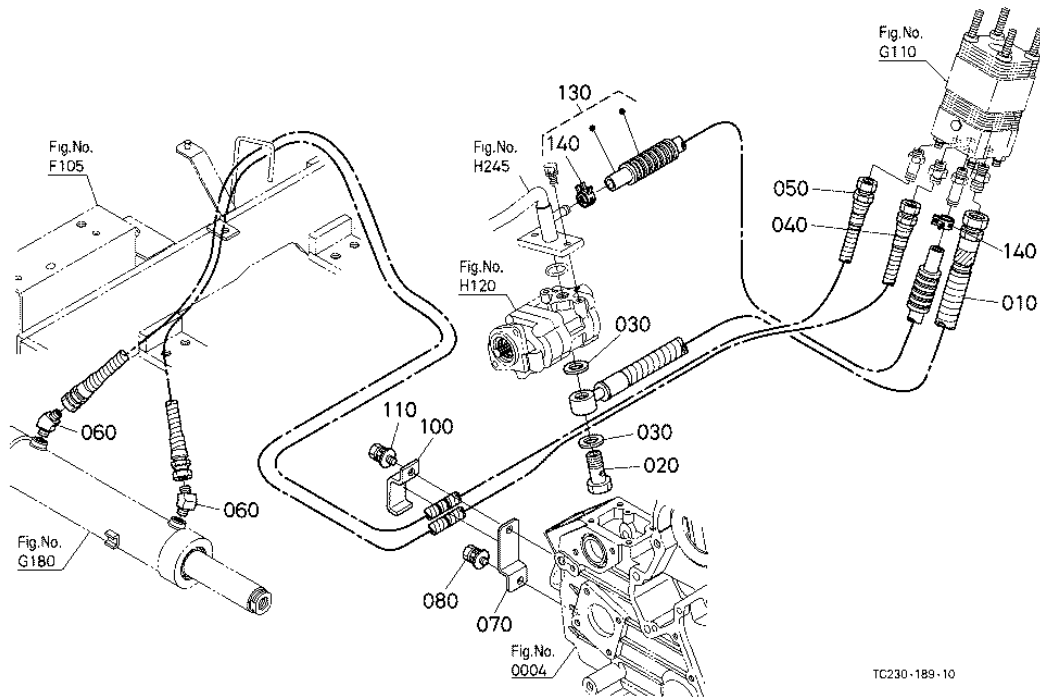
| Ref | Part Number | Part Name | Qty | IC | S/N | Lbs | Remarks |
|-----|-------------|--------------------|-----|----|-----|-------|---------|
| 010 | TC230-53412 | COMP.PIPE DELIVERY | 1 | | | 1.386 | |
| 020 | 04817-00180 | O RING | 1 | | | 0.006 | |
| 030 | 34550-33290 | TUBE | 1 | | | 0.022 | |
| 040 | 01125-60816 | BOLT | 1 | | | 0.022 | |
| 050 | 34070-33260 | HOLDER | 1 | | | 0.066 | |
| 060 | 01123-50820 | BOLT | 2 | | | 0.024 | |
| 070 | 66591-36250 | JOINT | 1 | | | 0.176 | |

HYDRAULIC OIL LINE (DELIVERY)

| Ref | Part Number | Part Name | Qty | IC | S/N | Lbs | Remarks |
|-----|-------------|--------------------|-----|----|-----|-------|---------|
| 080 | 67111-37180 | GASKET | 1 | | | 0.006 | |
| 090 | 67401-36720 | GASKET | 1 | | | 0.011 | |
| 100 | TC230-53420 | COMP.PIPE DELIVERY | 1 | | | 1.254 | |
| 110 | 04817-00180 | O RING | 1 | | | 0.006 | |
| 120 | 01123-50820 | BOLT | 2 | | | 0.024 | |
| 130 | 66591-36250 | JOINT | 1 | | | 0.176 | |
| 140 | 67111-37180 | GASKET | 1 | | | 0.006 | |
| 150 | 67401-36720 | GASKET | 1 | | | 0.011 | |

HYDRAULIC OIL LINE (PS)

Figure Num 01H215



TC230-189-10

HYDRAULIC OIL LINE (PS)

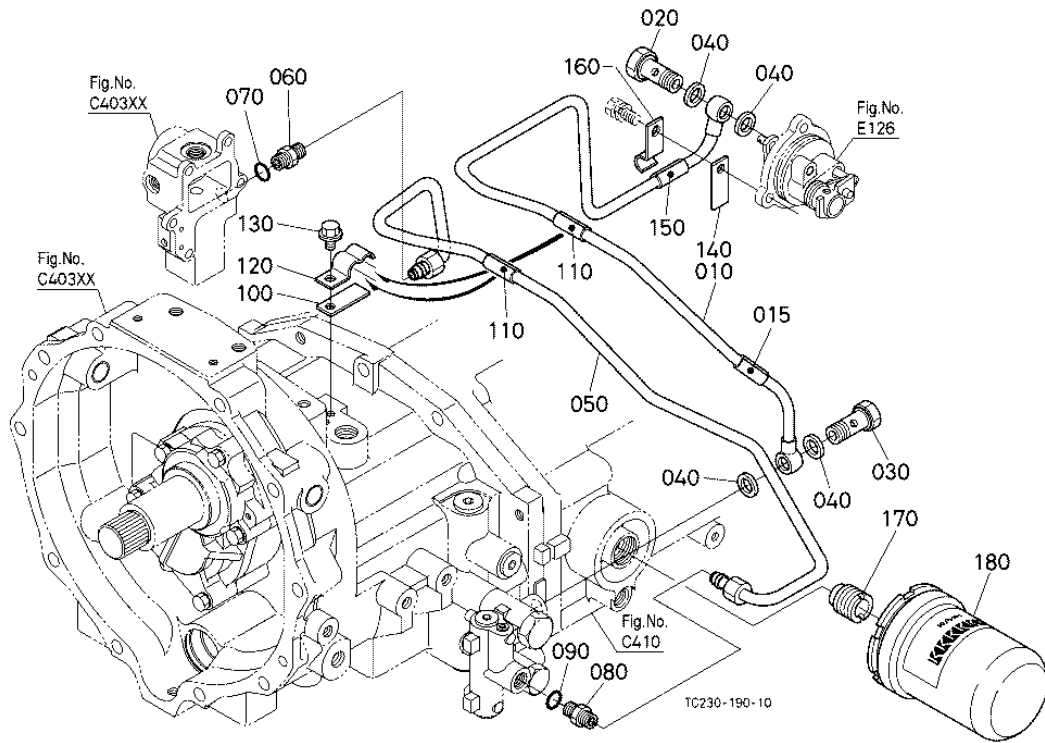
| Ref | Part Number | Part Name | Qty | IC | S/N | Lbs | Remarks |
|-----|-------------|---------------|-----|----|-----|-------|---------|
| 010 | TC232-33510 | HOSE DELIVERY | 1 | | | 0.957 | |
| 020 | 66591-36250 | JOINT | 1 | | | 0.176 | |
| 030 | 67111-37180 | GASKET | 2 | | | 0.006 | |
| 040 | TC230-33520 | HOSE DELIVERY | 1 | | | 0.484 | LH |
| 050 | TC230-33550 | HOSE DELIVERY | 1 | | | 0.418 | RH |
| 060 | 56811-27380 | ADAPTER | 2 | | | 0.088 | |
| 070 | TC230-16560 | STAY HOLDER | 1 | | | 0.079 | |

HYDRAULIC OIL LINE (PS)

| Ref | Part Number | Part Name | Qty | IC | S/N | Lbs | Remarks |
|-----|-------------|------------------|-----|----|-----|-------|---------|
| 080 | 01025-50612 | BOLT | 1 | | | 0.011 | |
| 100 | TA040-33300 | HOLDER HOSE | 1 | | | 0.059 | |
| 110 | 01025-50616 | BOLT | 1 | | | 0.011 | |
| 130 | TC230-33530 | ASSY HOSE RETURN | 1 | | | 0.374 | |
| 140 | T1060-33630 | BAND PIPE | 2 | | | 0.013 | |

PTO HYDRAULIC OIL LINE

Figure Num 01H230



PTO HYDRAULIC OIL LINE

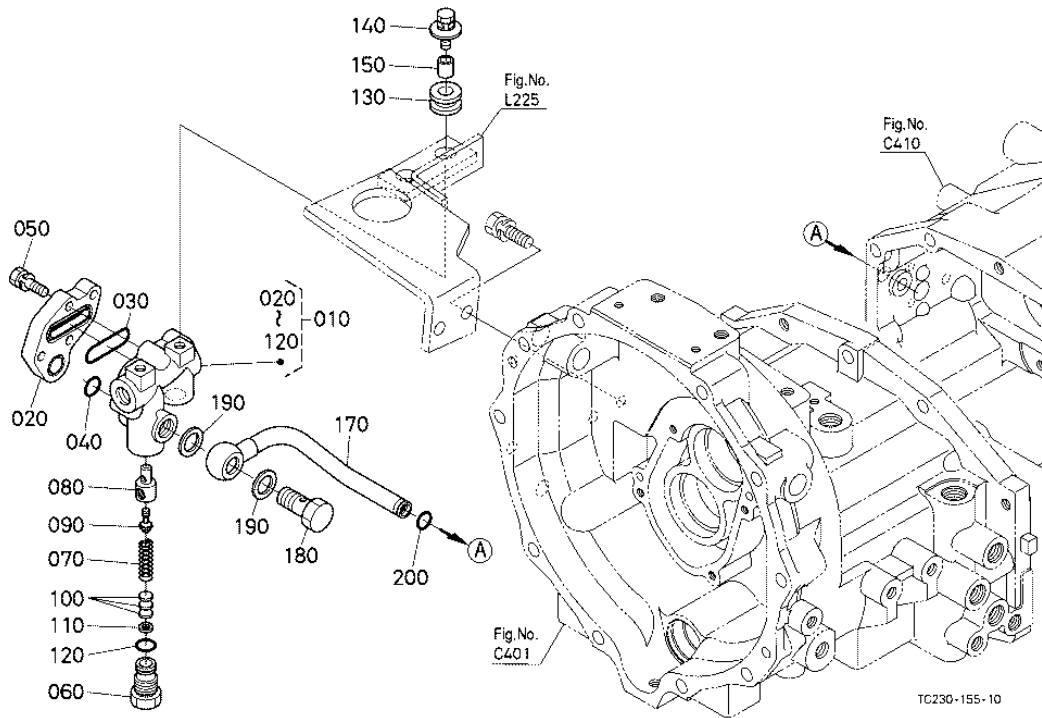
| Ref | Part Number | Part Name | Qty | IC | S/N | Lbs | Remarks |
|-----|-------------|-----------------|-----|----|-----|-------|---------|
| 010 | TC230-56114 | COMP.PIPE I-PTO | 1 | | | 0.528 | |
| 015 | TC230-45270 | PIPE RUBBER | 1 | | | 0 | |
| 020 | TA040-69402 | ASSY BOLT | 1 | | | 0.099 | |
| 030 | 34076-66590 | BOLT JOINT | 1 | | | 0.11 | |
| 040 | 04714-00200 | GASKET | 4 | | | 0.004 | |
| 050 | TC230-58274 | COMP.PIPE | 1 | | | 0.594 | |
| 060 | 06012-51023 | JOINT PIPE | 1 | | | 0.088 | |

PTO HYDRAULIC OIL LINE

| Ref | Part Number | Part Name | Qty | IC | S/N | Lbs | Remarks |
|-----|-------------|-------------|-----|----|-----|-------|---------|
| 070 | 04817-00110 | O RING | 1 | | | 0.002 | |
| 080 | 06012-51023 | JOINT PIPE | 1 | | | 0.088 | |
| 090 | 04817-00110 | O RING | 1 | | | 0.002 | |
| 100 | TC230-33570 | PLATE CLAMP | 1 | | | 0.044 | |
| 110 | TC230-45270 | PIPE RUBBER | 2 | | | 0 | |
| 120 | TC230-33692 | CLAMP PIPE | 1 | | | 0 | |
| 130 | 01754-50812 | BOLT FLANGE | 1 | | | 0.022 | |
| 140 | TC230-33570 | PLATE CLAMP | 1 | | | 0.044 | |
| 150 | TC230-45270 | PIPE RUBBER | 1 | | | 0 | |
| 160 | TC230-33700 | CLAMP PIPE | 1 | | | 0 | |
| 170 | 58700-11530 | ADAPTER | 1 | | | 0.138 | |
| 180 | HHTA0-59900 | FILTER OIL | 1 | | | 2.068 | |

HYDRAULIC OUTLET BLOCK

Figure Num 01H235



HYDRAULIC OUTLET BLOCK

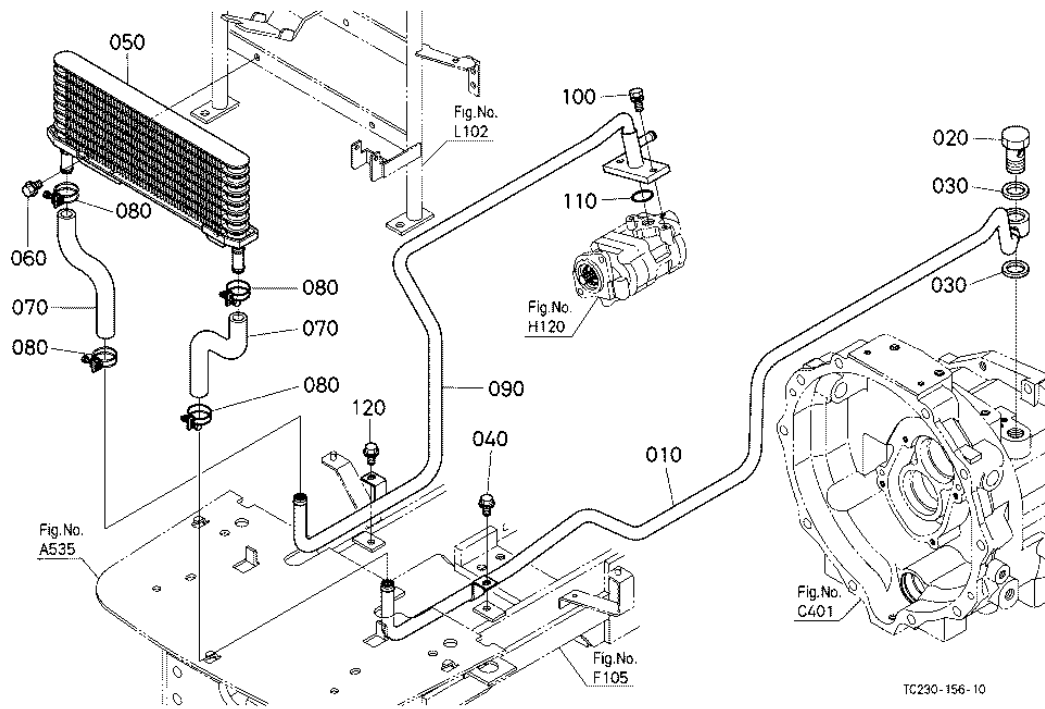
| Ref | Part Number | Part Name | Qty | IC | S/N | Lbs | Remarks |
|-----|-------------|----------------------|-----|----|-----|-------|---------|
| 010 | TD060-37500 | ASSY BLOCK FRONT HYD | 1 | | | 2.739 | |
| 020 | TD060-37610 | CAP HYD.BLOCK | 1 | | | 0.308 | |
| 030 | 04817-06400 | O RING | 1 | | | 0.006 | |
| 040 | 04817-05170 | O RING | 1 | | | 0.004 | |
| 050 | 01123-50828 | BOLT | 4 | | | 0.030 | |
| 060 | 31351-37910 | PLUG | 1 | | | 0.132 | |
| 070 | 31351-37920 | SPRING RELIEF | 1 | | | 0.044 | |

HYDRAULIC OUTLET BLOCK

| Ref | Part Number | Part Name | Qty | IC | S/N | Lbs | Remarks |
|-----|-------------|-------------------|-----|----|-----|-------|---------|
| 080 | 31351-37930 | SEAT RELIEF VALVE | 1 | | | 0.044 | |
| 090 | YT450-00220 | POPPET RELIEF | 1 | | | 0.011 | |
| 100 | 31351-37970 | SHIM | 2 | | | 0.002 | 0.1mm |
| 100 | 31351-37960 | SHIM | 2 | | | 0.002 | 0.2mm |
| 100 | 31351-37950 | SHIM | 5 | | | 0.002 | 0.4mm |
| 110 | 04013-60050 | WASHER PLAIN | 2 | | | 0.002 | |
| 120 | 04811-10160 | O RING | 1 | | | 0.002 | |
| 130 | TA040-37590 | CUSHION | 2 | | | 0.013 | |
| 140 | 01127-50830 | BOLT | 2 | | | 0.050 | |
| 150 | 35999-02550 | COLLAR | 2 | | | 0.022 | |
| 170 | TC230-56460 | COMP.PIPE RETURN | 1 | | | 0.33 | |
| 180 | 66591-36250 | JOINT | 1 | | | 0.176 | |
| 190 | 67111-37180 | GASKET | 2 | | | 0.006 | |
| 200 | 04816-00110 | O RING | 1 | | | 0.002 | |

OIL COOLER

Figure Num 01H245



OIL COOLER

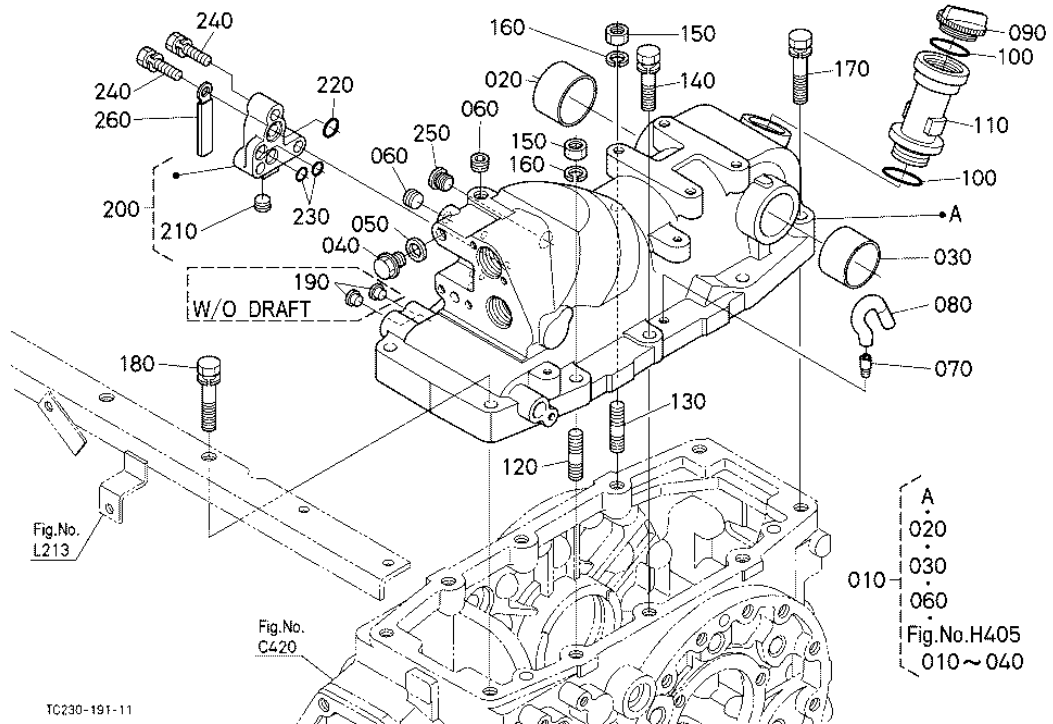
| Ref | Part Number | Part Name | Qty | IC | S/N | Lbs | Remarks |
|-----|-------------|-----------------|-----|----|-----|-------|---------|
| 010 | TC230-56130 | PIPE HST RETURN | 1 | | | 1.804 | |
| 020 | TD060-56210 | BOLT JOINT | 1 | | | 0.198 | |
| 030 | 04714-00400 | GASKET | 2 | | | 0.006 | |
| 040 | 01754-50816 | BOLT FLANGE | 1 | | | 0.024 | |
| 050 | TD050-55370 | COOLER OIL | 1 | | | 2.134 | |
| 060 | 01754-50812 | BOLT FLANGE | 2 | | | 0.022 | |
| 070 | TC230-56150 | HOSE OIL COOLER | 2 | | | 0.121 | |

OIL COOLER

| Ref | Part Number | Part Name | Qty | IC | S/N | Lbs | Remarks |
|-----|-------------|-----------------|-----|----|-----|-------|---------|
| 080 | 09318-89024 | CLAMP HOSE | 4 | | | 0.044 | |
| 090 | TC230-56140 | PIPE O/C RETURN | 1 | | | 1.804 | |
| 100 | 01123-50820 | BOLT | 2 | | | 0.024 | |
| 110 | 04817-00220 | O RING | 1 | | | 0.002 | |
| 120 | 01754-50816 | BOLT FLANGE | 1 | | | 0.024 | |

HYDRAULIC CYLINDER

Figure Num 01H301



HYDRAULIC CYLINDER

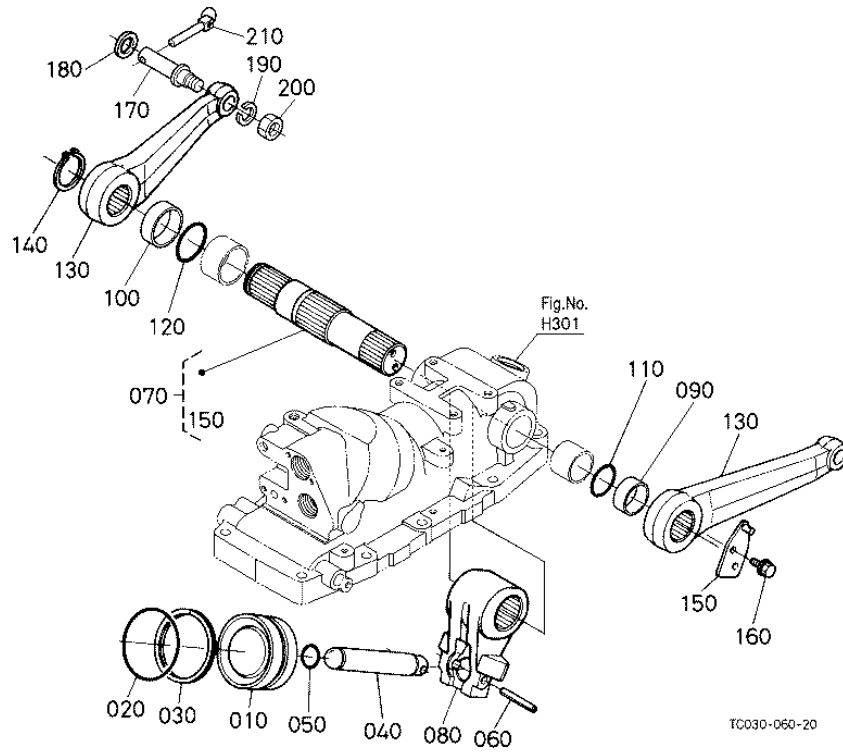
| Ref | Part Number | Part Name | Qty | IC | S/N | Lbs | Remarks |
|-----|-------------|--------------------|-----|----|-----|-------|---------|
| 010 | TC050-99360 | ASSY CASE CYLINDER | 1 | | | 0 | |
| 020 | 30400-37450 | BUSH | 1 | | | 0.198 | |
| 030 | 30400-37460 | BUSH | 1 | | | 0.143 | |
| 040 | 37150-36730 | PLUG | 1 | | | 0.066 | |
| 050 | 37150-36720 | GASKET | 1 | | | 0.022 | |
| 060 | 31351-37150 | PLUG | 2 | | | 0.015 | |
| 070 | 36200-21610 | BREATHER | 1 | | | 0.017 | |

HYDRAULIC CYLINDER

| Ref | Part Number | Part Name | Qty | IC | S/N | Lbs | Remarks |
|-----|-------------|---------------------|-----|----|-----|-------|------------------|
| 080 | 31351-37140 | BREATHER | 1 | | | 0.022 | |
| 090 | 38240-21410 | PLUG | 1 | | | 0.033 | |
| 100 | 04817-50300 | O RING | 2 | | | 0.002 | |
| 110 | 15224-33110 | FLANGE OIL FILLER | 1 | | | 0.347 | |
| 120 | 01574-51245 | STUD | 1 | | | 0.11 | |
| 130 | 01574-51245 | STUD | 1 | | | 0.11 | |
| 140 | 01133-51245 | BOLT | 4 | | | 0.121 | |
| 150 | 02176-50120 | NUT | 2 | | | 0.022 | |
| 160 | 04512-60120 | WASHER SPRING | 2 | | | 0.011 | |
| 170 | 01133-51260 | BOLT | 2 | | | 0.132 | |
| 180 | 01133-51265 | BOLT | 2 | | | 0.143 | |
| 190 | 66591-51130 | PLUG | 2 | | | 0.002 | W/O DRAFT |
| 200 | TA040-36620 | ASSY COVER CYLINDER | 1 | | | 0.66 | W/O REMOTE CONTR |
| 210 | 31351-37150 | PLUG | 1 | | | 0.015 | W/O REMOTE CONTR |
| 220 | 04817-00140 | O RING | 1 | | | 0.002 | W/O REMOTE CONTR |
| 230 | 04817-00100 | O RING | 2 | | | 0.002 | W/O REMOTE CONTR |
| 240 | 01123-50835 | BOLT | 3 | | | 0.044 | W/O REMOTE CONTR |
| 250 | TA040-36650 | PLUG | 1 | | | 0.011 | W/O REMOTE CONTR |
| 260 | 13824-67580 | CLAMP CORD | 1 | | | 0.013 | W/O REMOTE CONTR |

LIFT ARM

Figure Num 01H320



LIFT ARM

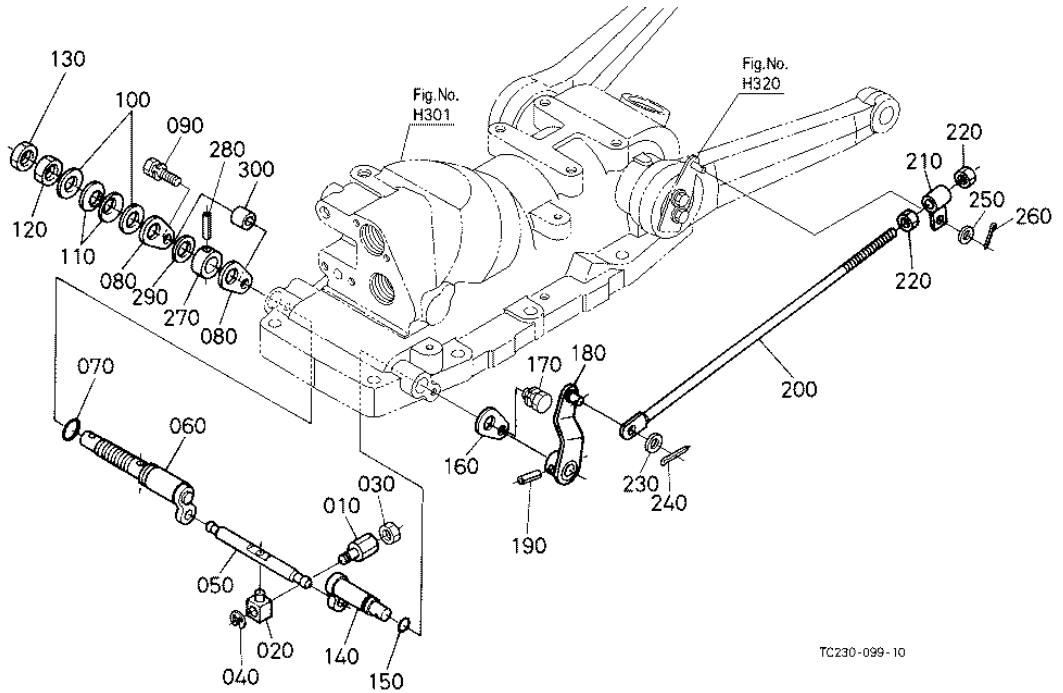
| Ref | Part Number | Part Name | Qty | IC | S/N | Lbs | Remarks |
|-----|-------------|--------------------|-----|----|-----|-------|---------|
| 010 | 34070-34214 | PISTON HYD. | 1 | | | 3.487 | |
| 020 | 04810-00800 | O RING | 1 | | | 0.019 | |
| 030 | 31391-37330 | RING BACK UP | 1 | | | 0.011 | |
| 040 | 31351-37320 | ROD HYD. | 1 | | | 1.331 | |
| 050 | 04817-00240 | O RING | 1 | | | 0.006 | |
| 060 | 05411-00656 | PIN SPRING | 1 | | | 0.013 | |
| 070 | TA150-37420 | ASSY SHAFT HYD.ARM | 1 | | | 5.06 | |

LIFT ARM

| Ref | Part Number | Part Name | Qty | IC | S/N | Lbs | Remarks |
|-----|-------------|-------------------|-----|----|-----|-------|---------|
| 080 | TA040-34234 | ARM HYDRAULIC | 1 | | | 4.84 | |
| 090 | 34150-37490 | COLLAR | 1 | | | 0.004 | |
| 100 | 34150-37480 | COLLAR | 1 | | | 0.011 | |
| 110 | 04817-06400 | O RING | 1 | | | 0.006 | |
| 120 | 04817-50450 | O RING | 1 | | | 0.006 | |
| 130 | TA040-34610 | ARM LIFT | 2 | | | 4.884 | |
| 140 | 04612-00400 | CIR CLIP EXTERNAL | 1 | | | 0.011 | |
| 150 | TA150-37720 | LINK CONTROL | 1 | | | 0.077 | |
| 160 | 01754-50812 | BOLT FLANGE | 2 | | | 0.022 | |
| 170 | 30442-37690 | PIN LIFT ROD | 2 | | | 0.44 | |
| 180 | 04011-50180 | WASHER PLAIN | 2 | | | 0.026 | |
| 190 | 04512-60160 | WASHER SPRING | 2 | | | 0.022 | |
| 200 | 02174-50160 | NUT | 2 | | | 0.048 | |
| 210 | 34150-37640 | PIN SET | 2 | | | 0.132 | |

FEED BACK LEVER

Figure Num 01H330



FEED BACK LEVER

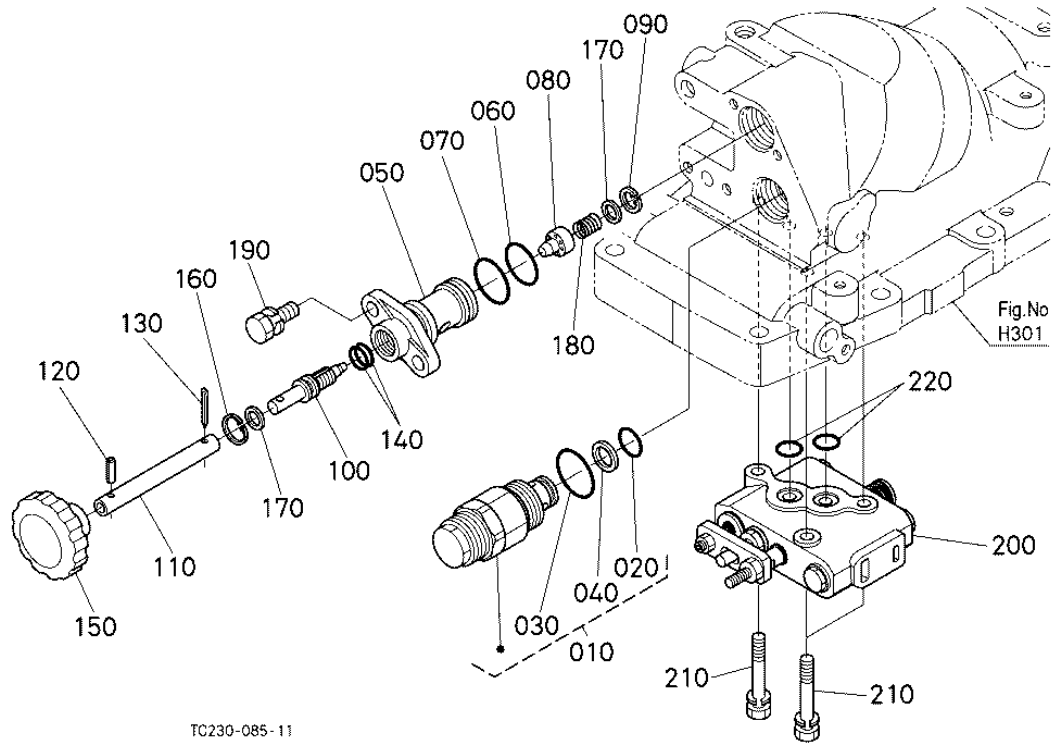
| Ref | Part Number | Part Name | Qty | IC | S/N | Lbs | Remarks |
|-----|-------------|-------------------|-----|----|-----|-------|---------|
| 010 | 67531-38280 | JOINT SPOOL | 1 | | | 0.374 | |
| 020 | TA040-36420 | JOINT SPOOL | 1 | | | 0.048 | |
| 030 | 02112-50080 | NUT | 1 | | | 0.006 | |
| 040 | 04613-50060 | CIR CLIP EXTERNAL | 1 | | | 0.002 | |
| 050 | 31351-37640 | LEVER SPOOL DRIVE | 1 | | | 0.11 | |
| 060 | TA140-37650 | ARM CONTROL | 1 | | | 0.356 | |
| 070 | 04817-00140 | O RING | 1 | | | 0.002 | |

FEED BACK LEVER

| Ref | Part Number | Part Name | Qty | IC | S/N | Lbs | Remarks |
|-----|-------------|------------------|-----|----|-----|-------|---------|
| 080 | 31351-37660 | SET PLATE | 2 | | | 0.022 | |
| 090 | 01123-50830 | BOLT | 1 | | | 0.033 | |
| 100 | 04013-60140 | WASHER PLAIN | 2 | | | 0.022 | |
| 110 | 34260-36880 | SPRING PLATE | 2 | | | 0.013 | |
| 120 | 02174-50140 | NUT | 1 | | | 0.030 | |
| 130 | 02172-50140 | NUT | 1 | | | 0.022 | |
| 140 | 31351-37750 | SHAFT BACK LEVER | 1 | | | 0.22 | |
| 150 | 04816-00120 | O RING | 1 | | | 0.002 | |
| 160 | 38240-36890 | SET PLATE | 1 | | | 0.028 | |
| 170 | 01123-60816 | BOLT | 1 | | | 0.022 | |
| 180 | 31351-37760 | LEVER FEED BACK | 1 | | | 0.176 | |
| 190 | 05411-00525 | PIN SPRING | 1 | | | 0.004 | |
| 200 | 31321-37770 | ROD FEED BACK | 1 | | | 0.264 | |
| 210 | 31351-37780 | ROD CONTROL | 1 | | | 0.066 | |
| 220 | 02114-50080 | NUT | 2 | | | 0.011 | |
| 230 | 04013-60080 | WASHER PLAIN | 1 | | | 0.004 | |
| 240 | 05511-50218 | PIN SPLIT | 1 | | | 0.002 | |
| 250 | 04013-60080 | WASHER PLAIN | 1 | | | 0.004 | |
| 260 | 05511-50215 | PIN SPLIT | 1 | | | 0.002 | |
| 270 | TA140-36900 | SPACER | 1 | | | 0.068 | |
| 280 | 05411-00528 | PIN SPRING | 1 | | | 0.006 | |
| 290 | TA140-36920 | PLATE FRICTION | 1 | | | 0.004 | |
| 300 | TA140-36930 | SPACER | 1 | | | 0.030 | |

CONTROL VALVE

Figure Num 01H405



TC230-085-11

CONTROL VALVE

| Ref | Part Number | Part Name | Qty | IC | S/N | Lbs | Remarks |
|-----|-------------|-------------------|-----|----|-----|-------|---------|
| 010 | YW125-00102 | ASSY VALVE SAFETY | 1 | | | 0.88 | |
| 020 | 04817-00160 | O RING | 1 | | | 0.002 | |
| 030 | 04816-06280 | O RING | 2 | | | 0.004 | |
| 040 | YT133-00160 | RING BACK UP | 1 | | | 0.002 | |
| 050 | 31351-37210 | COVER CYL.FRONT | 1 | | | 0.693 | |
| 060 | 04817-00220 | O RING | 1 | | | 0.002 | |
| 070 | 04817-06250 | O RING | 1 | | | 0.002 | |

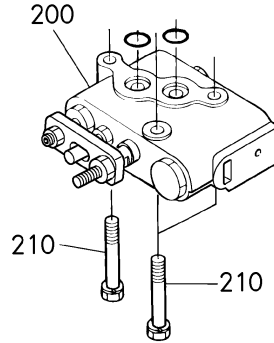
CONTROL VALVE

| Ref | Part Number | Part Name | Qty | IC | S/N | Lbs | Remarks |
|-----|-------------|--------------------|-----|----|-----|-------|----------|
| 080 | 38240-37250 | COLLAR ADJUSTING | 1 | | | 0.022 | |
| 090 | 04611-00160 | CIR CLIP INTERNAL | 1 | | | 0.002 | |
| 100 | T0070-34510 | SHAFT | 1 | | | 0.088 | |
| 110 | T0070-34570 | PIPE | 1 | | | 0.055 | |
| 120 | 05411-00414 | PIN SPRING | 1 | | | 0.002 | |
| 130 | 05511-50425 | PIN SPLIT | 1 | | | 0.006 | |
| 140 | 04817-00100 | O RING | 2 | | | 0.002 | |
| 150 | T0070-34560 | GRIP | 1 | | | 0.024 | |
| 160 | 34150-37260 | CIR CLIP INTERNAL | 1 | | | 0.002 | |
| 170 | 04012-50080 | WASHER PLAIN | 2 | | | 0.002 | |
| 180 | 30812-37360 | SPRING | 1 | | | 0.011 | |
| 190 | 01123-50825 | BOLT | 2 | | | 0.028 | |
| 200 | YR908-00102 | ASSY VALVE CONTROL | 1 | | | 4.29 | OLD PART |
| 200 | YR908-00103 | ASSY VALVE CONTROL | 1 | NI | | 4.29 | NEW PART |
| 210 | TA040-36400 | BOLT | 3 | | | 0.044 | OLD PART |
| 210 | 01123-50845 | BOLT | 3 | NI | | 0.044 | NEW PART |
| 220 | 04817-00120 | O RING | 2 | | | 0.002 | |

CONTROL VALVE

Figure Num 01H405

OLD PARTS



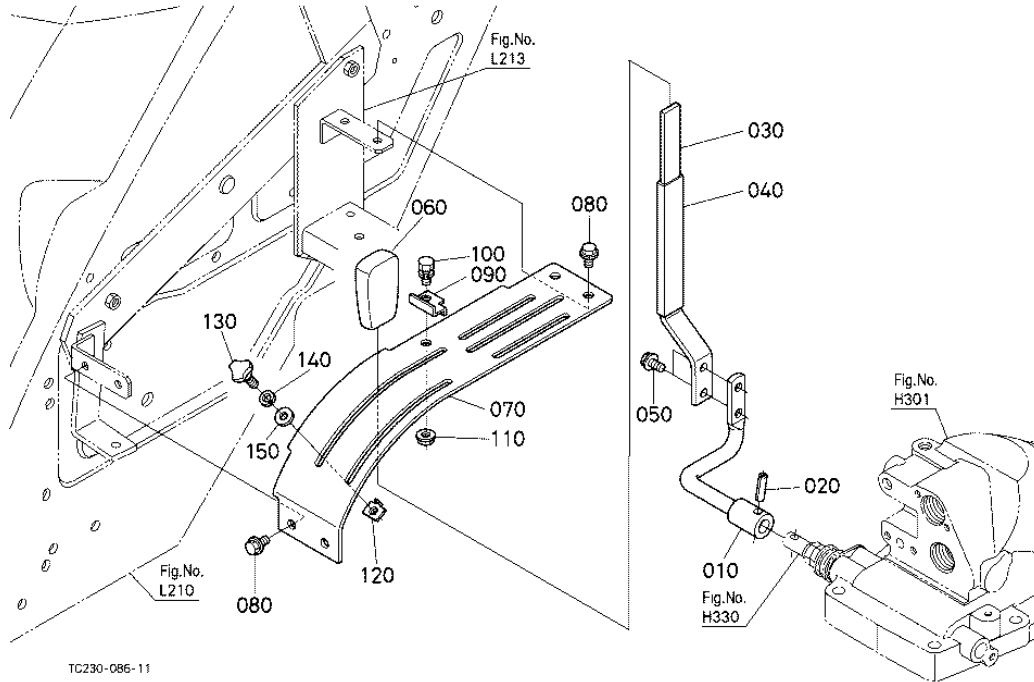
TC250-800-10

CONTROL VALVE

| Ref | Part Number | Part Name | Qty | IC | S/N | Lbs | Remarks |
|-----|-------------|--------------------|-----|----|-----|-------|----------|
| 200 | YR908-00103 | ASSY VALVE CONTROL | 1 | NI | | 4.29 | NEW PART |
| 200 | YR908-00102 | ASSY VALVE CONTROL | 1 | | | 4.29 | OLD PART |
| 210 | 01123-50845 | BOLT | 3 | NI | | 0.044 | NEW PART |
| 210 | TA040-36400 | BOLT | 3 | | | 0.044 | OLD PART |

POSITION CONTROL LEVER

Figure Num 01H440



TC230-086-11

POSITION CONTROL LEVER

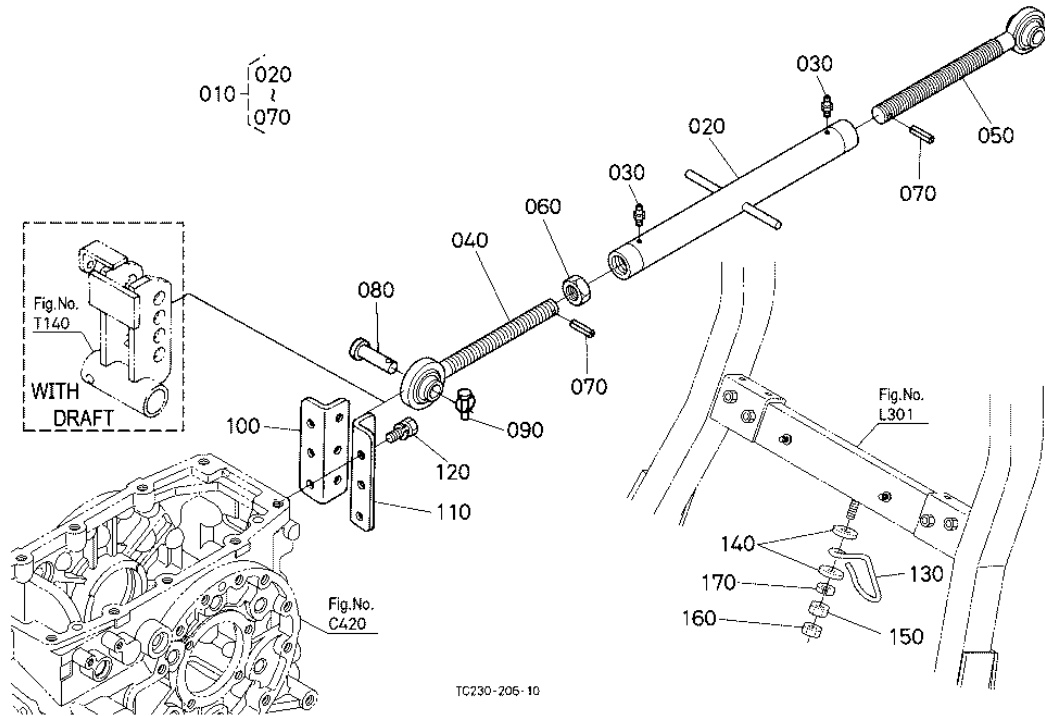
| Ref | Part Number | Part Name | Qty | IC | S/N | Lbs | Remarks |
|-----|-------------|-----------------|-----|----|-----|-------|-----------|
| 010 | TA140-36110 | LEVER POSITION | 1 | | | 0.583 | W/O DRAFT |
| 020 | 05411-00525 | PIN SPRING | 1 | | | 0.004 | W/O DRAFT |
| 030 | TA040-36120 | LEVER POSITION | 1 | | | 0.462 | W/O DRAFT |
| 040 | TA040-36132 | TUBE LEVER | 1 | | | 0.022 | W/O DRAFT |
| 050 | 01754-50616 | BOLT FLANGE | 2 | | | 0.013 | W/O DRAFT |
| 060 | 52300-32640 | GRIP LEVER | 1 | | | 0.088 | |
| 070 | TC050-47603 | GUIDE HYD.LEVER | 1 | | | 1.76 | |

POSITION CONTROL LEVER

| Ref | Part Number | Part Name | Qty | IC | S/N | Lbs | Remarks |
|-----|-------------|---------------|-----|----|-----|-------|---------|
| 080 | 01754-50816 | BOLT FLANGE | 4 | | | 0.024 | |
| 090 | 34070-36130 | STOPPER | 1 | | | 0.033 | |
| 100 | 01123-60816 | BOLT | 1 | | | 0.022 | |
| 110 | 02751-50080 | NUT FLANGE | 1 | | | 0.013 | |
| 120 | 34070-36140 | STOPPER | 1 | | | 0.011 | |
| 130 | 37410-52610 | SCREW KNOB | 1 | | | 0.033 | |
| 140 | 04512-60060 | WASHER SPRING | 1 | | | 0.002 | |
| 150 | 31351-18860 | WASHER | 1 | | | 0.004 | |

TOP LINK

Figure Num 01J105



TOP LINK

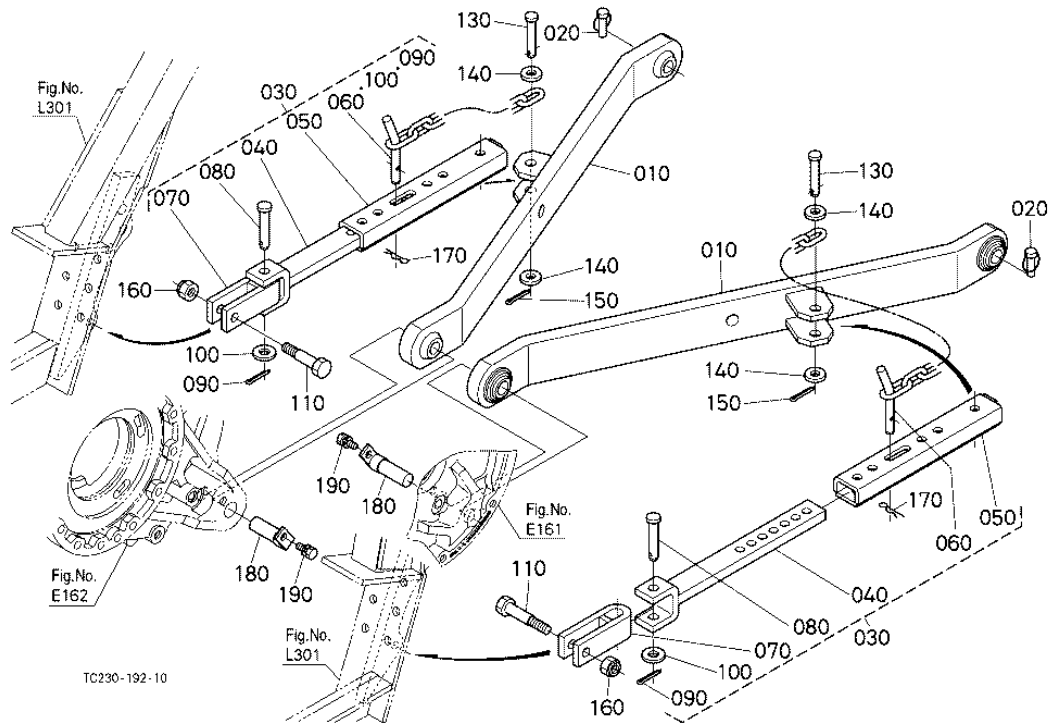
| Ref | Part Number | Part Name | Qty | IC | S/N | Lbs | Remarks |
|-----|-------------|----------------|-----|----|-----|-------|---------|
| 010 | TD050-71100 | ASSY LINK TOP | 1 | | | 7.92 | |
| 020 | TD050-71110 | LINK TOP | 1 | | | 2.706 | |
| 030 | 67211-42940 | NIPPLE GREASE | 2 | | | 0.002 | |
| 040 | 35340-71210 | JOINT TOP LINK | 1 | | | 2.332 | |
| 050 | 35340-71220 | JOINT TOP LINK | 1 | | | 2.332 | |
| 060 | 32244-71180 | NUT TOP LINK | 1 | | | 0.125 | |
| 070 | 05411-00430 | PIN SPRING | 2 | | | 0.004 | |

TOP LINK

| Ref | Part Number | Part Name | Qty | IC | S/N | Lbs | Remarks |
|-----|-------------|--------------------|-----|----|-----|-------|-----------|
| 080 | 31150-71360 | PIN JOINT | 2 | | | 0.365 | |
| 090 | 34150-37640 | PIN SET | 2 | | | 0.132 | |
| 100 | 99571-22140 | HOLDER TOP LINK RH | 1 | | | 2.112 | W/O DRAFT |
| 110 | 99571-22150 | HOLDER TOP LINK LH | 1 | | | 2.178 | W/O DRAFT |
| 120 | 01133-51230 | BOLT | 6 | | | 0.088 | W/O DRAFT |
| 130 | TC220-29420 | HOLDER | 1 | | | 0.088 | |
| 140 | 04015-60080 | WASHER PLAIN | 2 | | | 0.022 | |
| 150 | 02114-50080 | NUT | 1 | | | 0.011 | |
| 160 | 02112-50080 | NUT | 1 | | | 0.006 | |
| 170 | 04512-60080 | WASHER SPRING | 1 | | | 0.004 | |

3-POINT LINKAGE 1 (LOWER LINK)

Figure Num 01J110



3-POINT LINKAGE 1 (LOWER LINK)

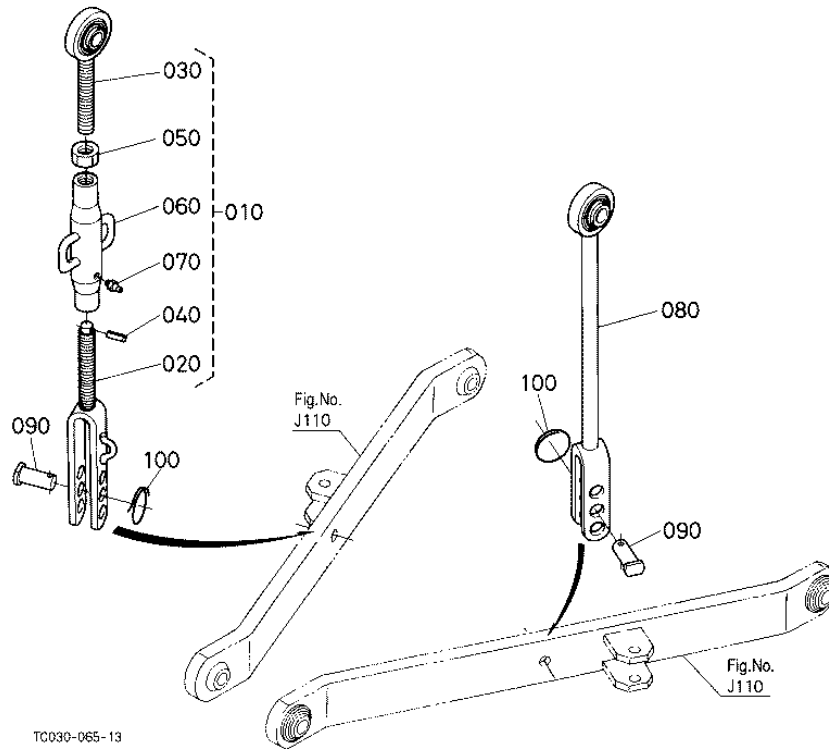
| Ref | Part Number | Part Name | Qty | IC | S/N | Lbs | Remarks |
|-----|-------------|-----------------|-----|----|-----|-------|---------|
| 010 | TA140-71313 | COMP.LINK LOWER | 2 | | | 16.72 | |
| 020 | 34150-37640 | PIN SET | 2 | | | 0.132 | |
| 030 | TA140-39606 | ASSY STABILIZER | 2 | | | 6.27 | |
| 040 | TA140-39610 | COMP.STAB.FRONT | 2 | | | 2.574 | |
| 050 | TA140-39620 | COMP.STAB.REAR | 2 | | | 1.969 | |
| 060 | TA140-39632 | COMP.JOINT | 2 | | | 0.506 | |
| 070 | TA140-39643 | COMP.JOINT | 2 | | | 1.056 | |

3-POINT LINKAGE 1 (LOWER LINK)

| Ref | Part Number | Part Name | Qty | IC | S/N | Lbs | Remarks |
|-----|-------------|---------------------|-----|----|-----|-------|---------|
| 080 | TA140-39820 | PIN STABILIZER REAR | 2 | | | 0.140 | |
| 090 | 05511-50428 | PIN SPLIT | 2 | | | 0.008 | |
| 100 | 04011-50120 | WASHER PLAIN | 2 | | | 0.011 | |
| 110 | TA140-39850 | BOLT STABILIZER | 2 | | | 0.132 | |
| 130 | TA140-39820 | PIN STABILIZER REAR | 2 | | | 0.140 | |
| 140 | 04011-50120 | WASHER PLAIN | 4 | | | 0.011 | |
| 150 | 05511-50425 | PIN SPLIT | 2 | | | 0.006 | |
| 160 | 02572-50120 | NUT LOCK | 2 | | | 0.030 | |
| 170 | TC050-51200 | PIN SNAP | 2 | | | 0.011 | |
| 180 | TA040-39412 | PIN LOWER LINK | 2 | | | 0.55 | |
| 190 | 01133-51020 | BOLT | 2 | | | 0.044 | |

3-POINT LINKAGE 2 (LIFT ROD)

Figure Num 01J115



TC030-065-13

3-POINT LINKAGE 2 (LIFT ROD)

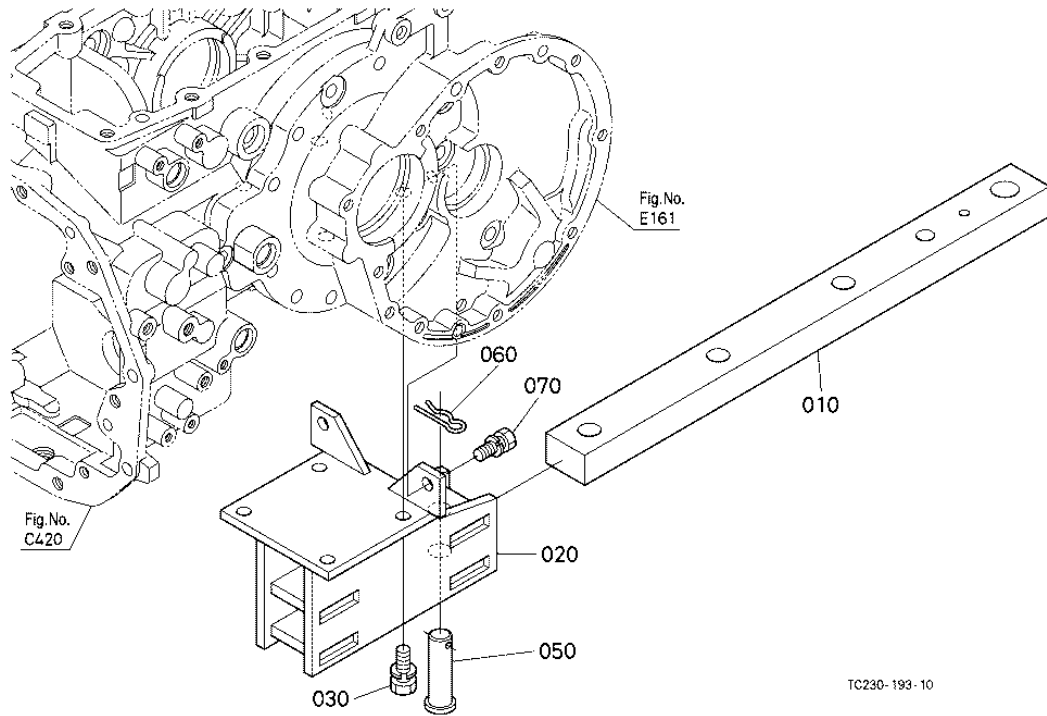
| Ref | Part Number | Part Name | Qty | IC | S/N | Lbs | Remarks |
|-----|-------------|------------------|-----|----|-----|-------|---------|
| 010 | 32751-71560 | ASSY ROD LIFT RH | 1 | | | 4.356 | |
| 020 | 35080-71520 | ROD LIFT LOWER | 1 | | | 1.936 | |
| 030 | 31331-71510 | ROD LIFT UPPER | 1 | | | 1.276 | |
| 040 | 05411-00320 | PIN SPRING | 1 | | | 0.002 | |
| 050 | 35110-71570 | NUT | 1 | | | 0.11 | |
| 060 | TA040-39350 | TURNBUCKLE | 1 | | | 1.21 | |
| 070 | 06613-10675 | NIPPLE GREASE | 1 | | | 0.006 | |

3-POINT LINKAGE 2 (LIFT ROD)

| Ref | Part Number | Part Name | Qty | IC | S/N | Lbs | Remarks |
|-----|-------------|--------------|-----|----|-----|-------|---------|
| 080 | 35080-71540 | ROD LIFT LH | 1 | | | 3.52 | |
| 090 | 38747-71582 | PIN LIFT ROD | 2 | | | 0.22 | |
| 100 | 67156-34340 | RING SNAP | 2 | | | 0.022 | |

DRAWBAR

Figure Num 01K105

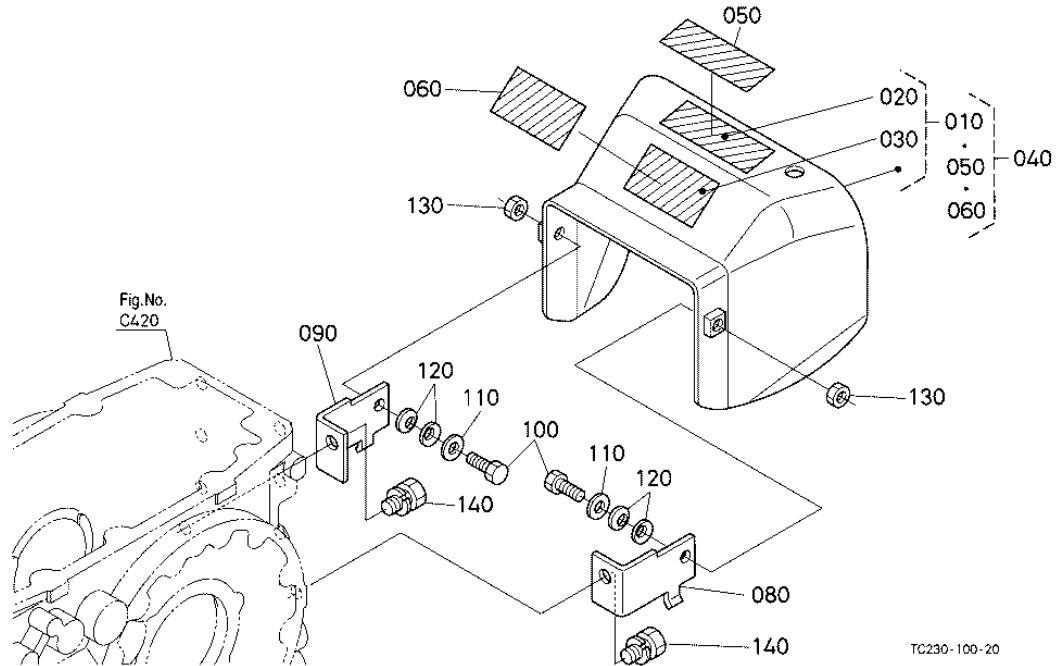


DRAWBAR

| Ref | Part Number | Part Name | Qty | IC | S/N | Lbs | Remarks |
|-----|-------------|---------------|-----|----|-----|-------|---------|
| 010 | TC220-29710 | DRAWBAR | 1 | | | 15.4 | |
| 020 | TA040-29730 | FRAME DRAWBAR | 1 | | | 13.64 | |
| 030 | 01138-51430 | BOLT | 4 | | | 0.154 | |
| 050 | 05122-52070 | PIN JOINT | 1 | | | 0.404 | |
| 060 | 05515-51600 | PIN SNAP | 1 | | | 0.015 | |
| 070 | 01133-51230 | BOLT | 2 | | | 0.088 | |

PTO PROTECTOR

Figure Num 01K125



PTO PROTECTOR

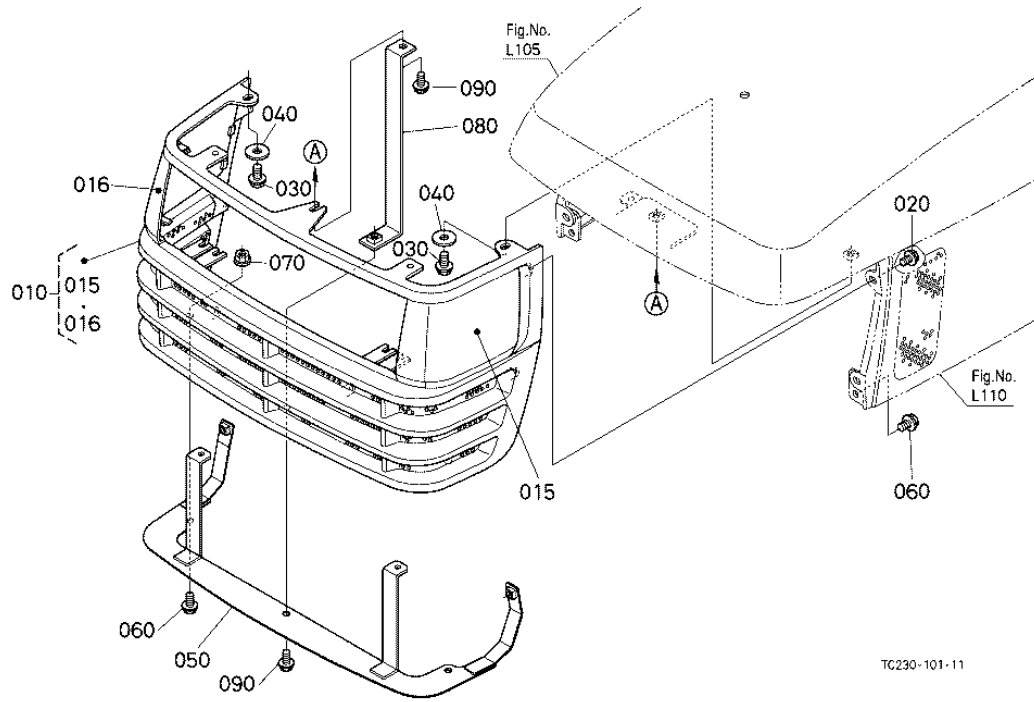
| Ref | Part Number | Part Name | Qty | IC | S/N | Lbs | Remarks |
|-----|-------------|-------------------|-----|----|-----|-------|---------|
| 010 | TA140-99630 | KIT COVER PTO(A) | 1 | | | 4.62 | ENGLISH |
| 020 | TA040-49593 | LABEL PTO WARNING | 1 | | | 0.002 | ENGLISH |
| 030 | TA040-49350 | LABEL DRAWBAR | 1 | | | 0.004 | ENGLISH |
| 040 | TA141-99630 | KIT COVER PTO(B) | 1 | | | 4.62 | FRENCH |
| 050 | TA041-49590 | LABEL PTO WARNING | 1 | | | 0.002 | FRENCH |
| 060 | TA041-49350 | LABEL DRAWBAR | 1 | | | 0.006 | FRENCH |
| 080 | TA040-23752 | STAY | 1 | | | 0.418 | |

PTO PROTECTOR

| Ref | Part Number | Part Name | Qty | IC | S/N | Lbs | Remarks |
|-----|-------------|--------------|-----|----|-----|-------|---------|
| 090 | TA040-23762 | STAY | 1 | | | 0.418 | |
| 100 | 01173-51025 | BOLT | 2 | | | 0.046 | |
| 110 | 04013-60100 | WASHER PLAIN | 2 | | | 0.006 | |
| 120 | 62151-42412 | SPRING PLATE | 4 | | | 0.004 | |
| 130 | 02116-50100 | NUT | 2 | | | 0.008 | |
| 140 | 01133-51225 | BOLT | 2 | | | 0.077 | |

FRONT GRILLE

Figure Num 01L101



TC230-101-11

FRONT GRILLE

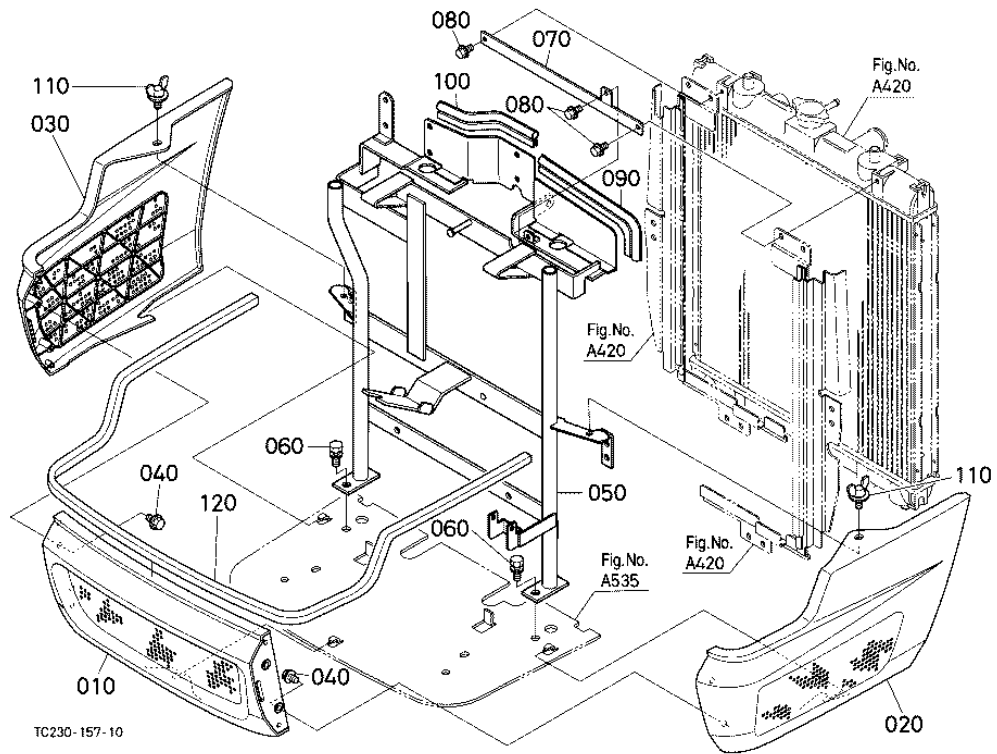
| Ref | Part Number | Part Name | Qty | IC | S/N | Lbs | Remarks |
|-----|-------------|--------------------|-----|----|-----|-------|---------|
| 010 | TC220-41820 | ASSY GRILLE BONNET | 1 | | | 2.42 | |
| 015 | TC220-99070 | GRILLE LIGHT LH | 1 | | | 0.418 | |
| 016 | TC220-99080 | GRILLE LIGHT RH | 1 | | | 0.418 | |
| 020 | 01754-50612 | BOLT FLANGE | 4 | | | 0.011 | |
| 030 | 01754-50816 | BOLT FLANGE | 2 | | | 0.024 | |
| 040 | 04015-60080 | WASHER PLAIN | 2 | | | 0.022 | |
| 050 | TC220-41843 | BASE GRILLE | 1 | | | 1.1 | |

FRONT GRILLE

| Ref | Part Number | Part Name | Qty | IC | S/N | Lbs | Remarks |
|------------|--------------------|------------------|------------|-----------|------------|------------|----------------|
| 060 | 01754-50816 | BOLT FLANGE | 4 | | | 0.024 | |
| 070 | 02751-50080 | NUT FLANGE | 2 | | | 0.013 | |
| 080 | TC220-41850 | SUPPORT BONNET | 1 | | | 0.462 | |
| 090 | 01754-50820 | BOLT FLANGE | 2 | | | 0.033 | |

HOOD (BONNET) FRONT SUPPORT

Figure Num 01L102



HOOD (BONNET) FRONT SUPPORT

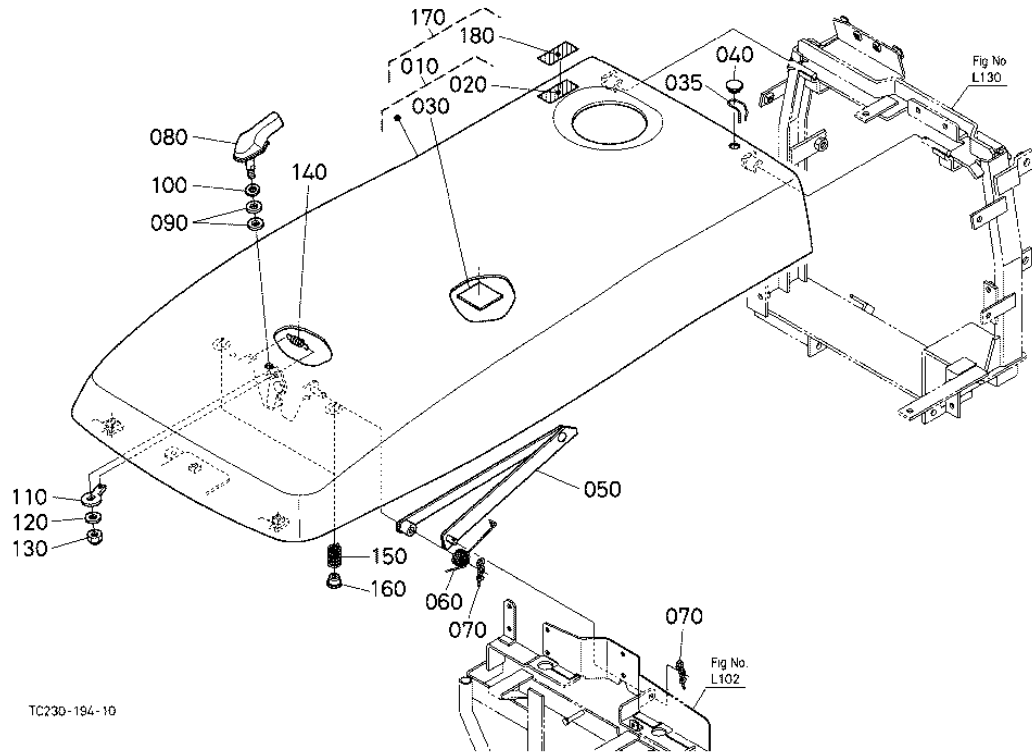
| Ref | Part Number | Part Name | Qty | IC | S/N | Lbs | Remarks |
|-----|-------------|-----------------|-----|----|-----|-------|---------|
| 010 | TC230-41062 | BONNET UNDER | 1 | | | 0.847 | |
| 020 | TC230-41082 | BONNET FRONT LH | 1 | | | 0.946 | |
| 030 | TC230-41092 | BONNET FRONT RH | 1 | | | 0.946 | |
| 040 | 01754-50612 | BOLT FLANGE | 4 | | | 0.011 | |
| 050 | TC230-57203 | SUPPORT FRONT | 1 | | | 19.8 | |
| 060 | 01133-51025 | BOLT | 2 | | | 0.050 | |
| 070 | TC220-18320 | BRACKET | 1 | | | 0.264 | |

HOOD (BONNET) FRONT SUPPORT

| Ref | Part Number | Part Name | Qty | IC | S/N | Lbs | Remarks |
|-----|-------------|---------------------|-----|----|-----|-------|---------|
| 080 | 01754-50612 | BOLT FLANGE | 3 | | | 0.011 | |
| 090 | TC232-17782 | SHIELD | 1 | | | 0.066 | |
| 100 | TC232-17790 | SHIELD | 1 | | | 0.044 | |
| 110 | TC220-41390 | BOLT WING | 2 | | | 0.079 | |
| 120 | TC230-41070 | SPONGE BONNET LOWER | 1 | | | 0.088 | |

HOOD (BONNET)

Figure Num 01L105



TC230-194-10

HOOD (BONNET)

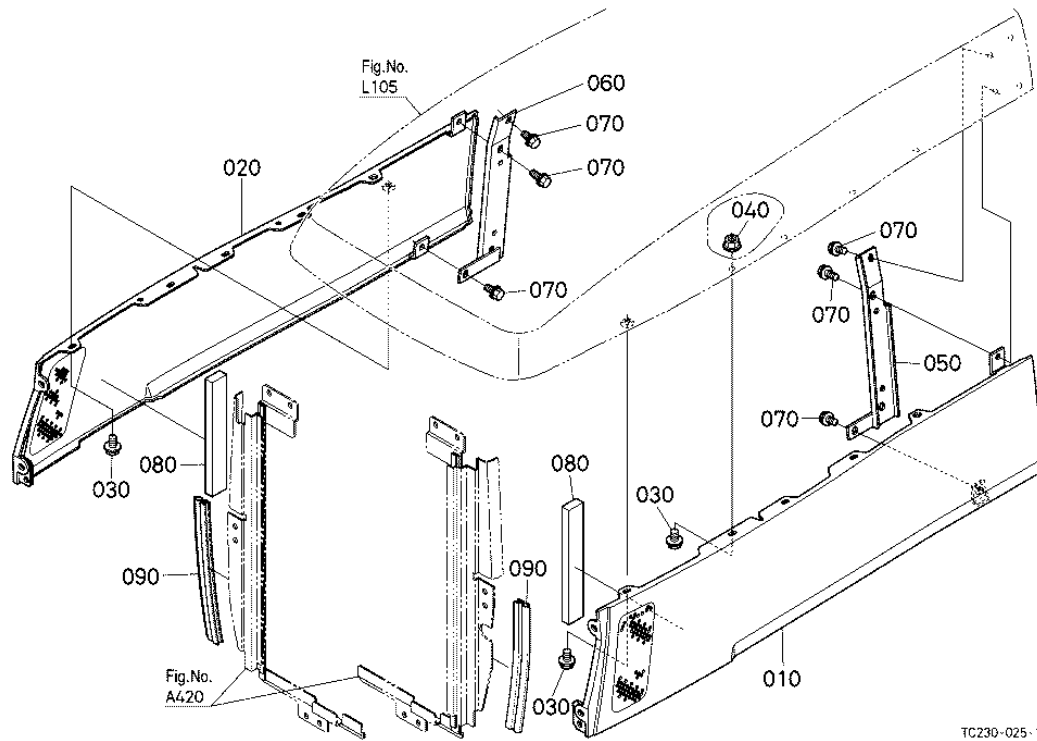
| Ref | Part Number | Part Name | Qty | IC | S/N | Lbs | Remarks |
|-----|-------------|--------------|-----|----|-----|-------|---------|
| 010 | TC230-58700 | KIT BONNET | 1 | | | 0 | ENGLISH |
| 020 | TC230-49560 | LABEL FILLER | 1 | | | 0.002 | ENGLISH |
| 030 | TC230-41270 | CUSHION LINK | 1 | | | 0.022 | |
| 035 | 3A011-83600 | PIN SNAP | 1 | | | 0.004 | |
| 040 | 3A111-83750 | PLUG | 1 | | | 0.004 | |
| 050 | TC230-41232 | LINK | 1 | | | 1.32 | |
| 060 | TC220-41262 | SPRING LINK | 1 | | | 0.044 | |

HOOD (BONNET)

| Ref | Part Number | Part Name | Qty | IC | S/N | Lbs | Remarks |
|-----|-------------|---------------|-----|----|-----|-------|---------|
| 070 | 52300-34120 | PIN SNAP | 2 | | | 0.002 | |
| 080 | T0070-41560 | HANDLE MASCOT | 1 | | | 0.187 | |
| 090 | 33251-83850 | WASHER HANDLE | 2 | | | 0.002 | |
| 100 | 33251-83950 | WASHER SPRING | 1 | | | 0.002 | |
| 110 | T1060-41220 | LOCK BONNET | 1 | | | 0.048 | |
| 120 | 04013-60080 | WASHER PLAIN | 1 | | | 0.004 | |
| 130 | 02552-50080 | NUT LOCK | 1 | | | 0.011 | |
| 140 | T1060-41120 | SPRING | 1 | | | 0.013 | |
| 150 | T1060-41130 | SPRING | 2 | | | 0.048 | |
| 160 | T1270-41140 | CUSHION | 2 | | | 0.015 | |
| 170 | TC231-58700 | KIT BONNET | 1 | | | 0 | FRENCH |
| 180 | TC231-49560 | LABEL FILLER | 1 | | | 0.002 | FRENCH |

HOOD(BONNET) SIDE

Figure Num 01L110



TC230-025-10

HOOD(BONNET) SIDE

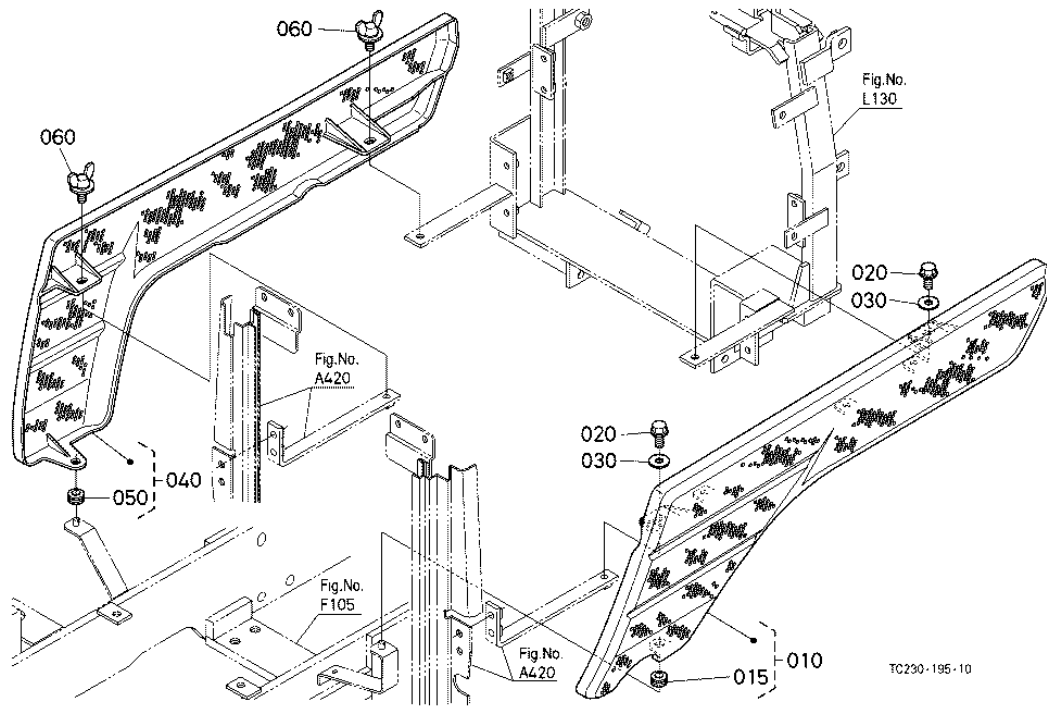
| Ref | Part Number | Part Name | Qty | IC | S/N | Lbs | Remarks |
|-----|-------------|----------------|-----|----|-----|-------|---------|
| 010 | TC230-41320 | BONNET SIDE LH | 1 | | | 3.784 | |
| 020 | TC230-41330 | BONNET SIDE RH | 1 | | | 3.784 | |
| 030 | 01754-50812 | BOLT FLANGE | 10 | | | 0.022 | |
| 040 | 02751-50080 | NUT FLANGE | 8 | | | 0.013 | |
| 050 | TC230-41450 | BRACKET | 1 | | | 0.825 | |
| 060 | TC230-41460 | BRACKET | 1 | | | 0.836 | |
| 070 | 01754-50612 | BOLT FLANGE | 6 | | | 0.011 | |

HOOD(BONNET) SIDE

| Ref | Part Number | Part Name | Qty | IC | S/N | Lbs | Remarks |
|------------|--------------------|--------------------|------------|-----------|------------|------------|----------------|
| 080 | TC220-42332 | SPONGE BONNET SIDE | 2 | | | 0.028 | |
| 090 | TC220-42220 | SHIELD | 2 | | | 0.077 | |

HOOD(BONNET) SIDE COVER

Figure Num 01L120

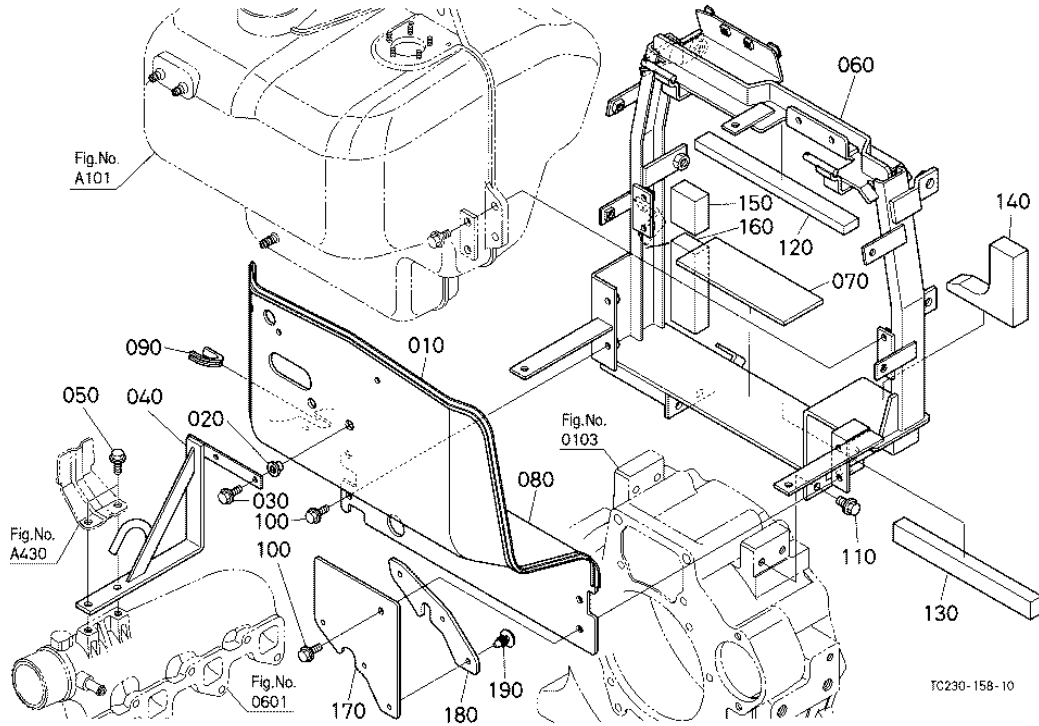


HOOD(BONNET) SIDE COVER

| Ref | Part Number | Part Name | Qty | IC | S/N | Lbs | Remarks |
|-----|-------------|--------------------|-----|----|-----|-------|---------|
| 010 | TC230-41370 | ASSY COVER LH | 1 | | | 0.836 | |
| 015 | 66591-54580 | RUBBER RELEASE ROD | 1 | | | 0.004 | |
| 020 | 01754-50820 | BOLT FLANGE | 2 | | | 0.033 | |
| 030 | 04015-60080 | WASHER PLAIN | 2 | | | 0.022 | |
| 040 | TC230-41340 | ASSY COVER RH | 1 | | | 0.682 | |
| 050 | 66591-54580 | RUBBER RELEASE ROD | 1 | | | 0.004 | |
| 060 | TC220-41390 | BOLT WING | 2 | | | 0.079 | |

SHUTTER PLATE

Figure Num 01L130



TC230-158-10

SHUTTER PLATE

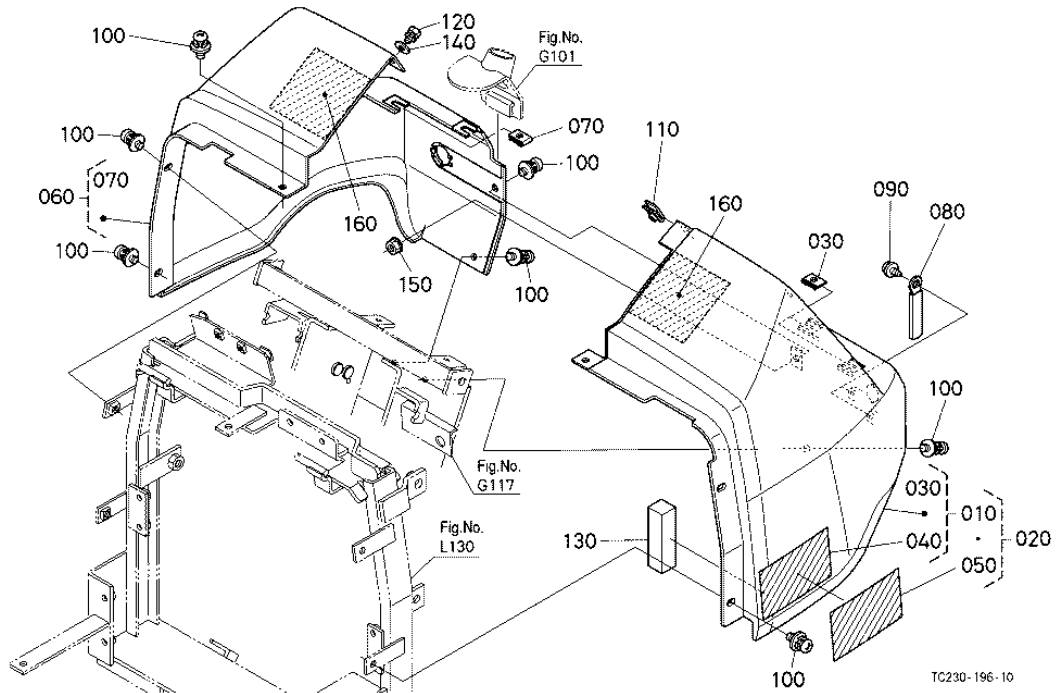
| Ref | Part Number | Part Name | Qty | IC | S/N | Lbs | Remarks |
|-----|-------------|---------------------|-----|----|-----|-------|---------|
| 010 | T1060-42222 | SHIELD | 1 | | | 0.44 | |
| 020 | 34070-71390 | NUT CUSHION | 2 | | | 0.011 | |
| 030 | 01754-50620 | BOLT FLANGE | 2 | | | 0.015 | |
| 040 | TC230-41243 | SUPPORT SHUTTER | 1 | | | 0.99 | |
| 050 | 01754-50820 | BOLT FLANGE | 2 | | | 0.033 | |
| 060 | TC230-52132 | SUPPORT BONNET REAR | 1 | | | 20.68 | |
| 070 | 31351-35183 | CUSHION TANK | 1 | | | 0.088 | |

SHUTTER PLATE

| Ref | Part Number | Part Name | Qty | IC | S/N | Lbs | Remarks |
|-----|-------------|-------------------|-----|----|-----|-------|---------|
| 080 | TC230-42113 | PLATE SHUTTER | 1 | | | 5.72 | |
| 090 | 30430-82770 | CUSHION | 1 | | | 0.011 | |
| 100 | 01754-50816 | BOLT FLANGE | 4 | | | 0.024 | |
| 110 | T1150-45610 | BOLT | 4 | | | 0.044 | |
| 120 | TC220-42200 | SPONGE UPPER | 1 | | | 0.033 | |
| 130 | TC230-42210 | SPONGE LOWER | 1 | | | 0.046 | |
| 140 | TC230-42162 | SPONGE PILLAR LH | 1 | | | 0.052 | |
| 150 | TC230-42190 | SPONGE PILLAR | 1 | | | 0 | |
| 160 | TC230-42200 | SPONGE PILLAR | 1 | | | 0.059 | |
| 170 | TC232-42150 | PLATE | 1 | | | 0.264 | |
| 180 | TC230-42230 | SHIELD SHUTTER LH | 1 | | | 0.088 | |
| 190 | T2050-41490 | FASTENER | 3 | | | 0.002 | |

HOOD(BONNET) REAR

Figure Num 01L135



HOOD(BONNET) REAR

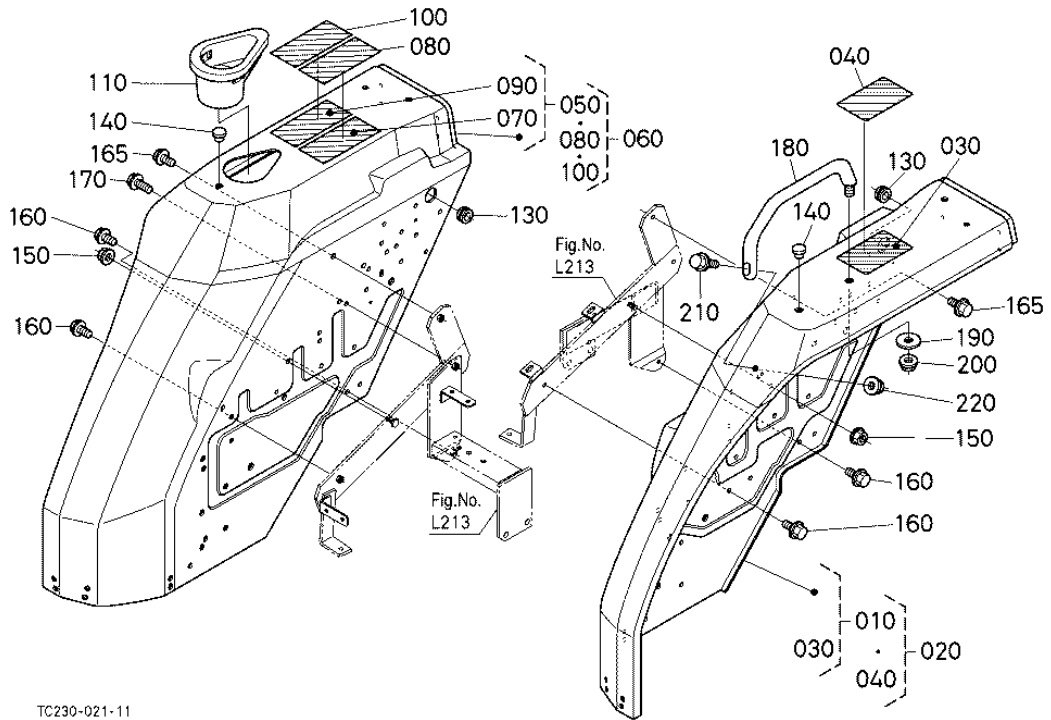
| Ref | Part Number | Part Name | Qty | IC | S/N | Lbs | Remarks |
|-----|-------------|---------------------|-----|----|-----|-------|---------|
| 010 | TC220-18920 | KIT BONNET REAR(A) | 1 | | | 1.65 | ENGLISH |
| 020 | TC220-18930 | KIT BONNET REAR(B) | 1 | | | 1.65 | FRENCH |
| 030 | 3A011-83490 | NUT SPRING | 3 | | | 0.022 | |
| 040 | TA040-49650 | LABEL START CAUTION | 1 | | | 0.008 | ENGLISH |
| 050 | TA041-49650 | LABEL START CAUTION | 1 | | | 0.008 | FRENCH |
| 060 | TC220-18790 | ASSY BONNET REAR RH | 1 | | | 1.716 | |
| 070 | 3A011-83490 | NUT SPRING | 3 | | | 0.022 | |

HOOD(BONNET) REAR

| Ref | Part Number | Part Name | Qty | IC | S/N | Lbs | Remarks |
|-----|-------------|--------------------|-----|----|-----|-------|---------|
| 080 | 15272-67590 | CLAMP CORD | 2 | | | 0.008 | |
| 090 | 03614-50610 | SCREW TAPPING | 2 | | | 0.011 | |
| 100 | 03034-50816 | SCREW WITH WASHER | 8 | | | 0.022 | |
| 110 | T0270-99160 | NUT SPRING | 1 | | | 0.013 | |
| 120 | 01023-50614 | BOLT | 1 | | | 0.011 | |
| 130 | TC220-18840 | SPONGE BONNET REAR | 1 | | | 0.022 | |
| 140 | 04015-60080 | WASHER PLAIN | 1 | | | 0.022 | |
| 150 | 02751-50080 | NUT FLANGE | 1 | | | 0.013 | |
| 160 | TC230-18830 | RUBBER CUSHION | 2 | | | 0.228 | |

FENDER

Figure Num 01L210



TC230-021-11

FENDER

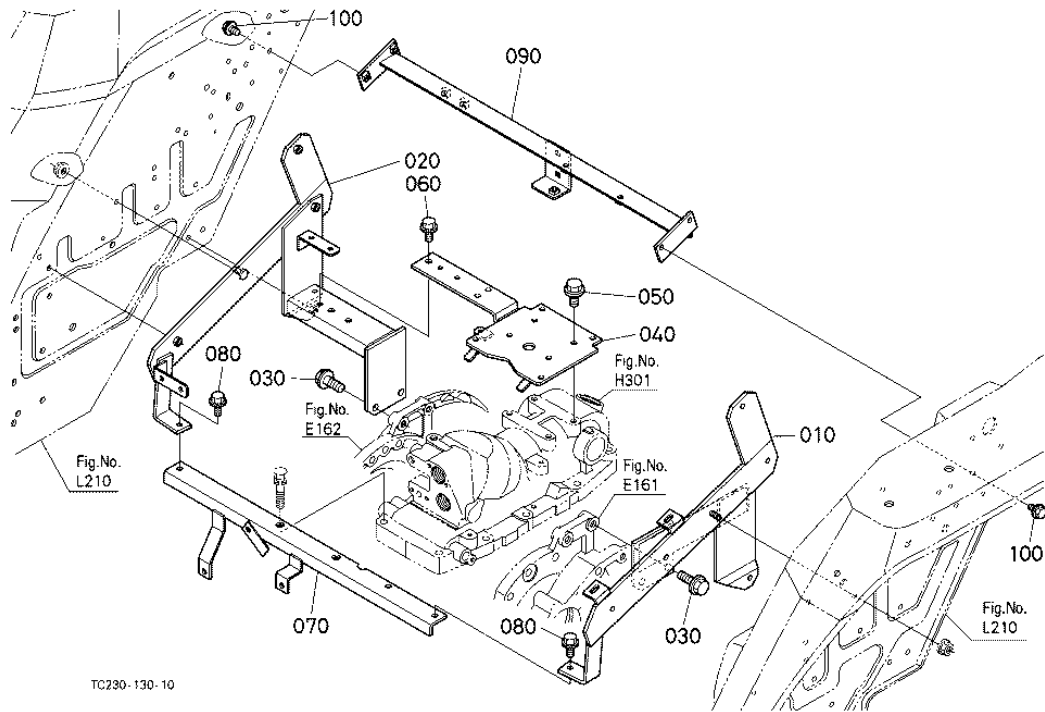
| Ref | Part Number | Part Name | Qty | IC | S/N | Lbs | Remarks |
|-----|-------------|--------------------|-----|----|-----|-------|---------|
| 010 | TC230-99530 | KIT FENDER LH(A) | 1 | | | 23.1 | ENGLISH |
| 020 | TC230-99540 | KIT FENDER LH(B) | 1 | | | 23.1 | FRENCH |
| 030 | 35260-34914 | LABEL SAFETY | 1 | | | 0.011 | ENGLISH |
| 040 | TA041-65702 | LABEL SAFETY | 1 | | | 0.022 | FRENCH |
| 050 | TC230-47100 | KIT FENDER RH(A) | 1 | | | 20.46 | ENGLISH |
| 060 | TC230-47110 | KIT FENDER RH(B) | 1 | | | 20.46 | FRENCH |
| 070 | TA240-98480 | LABEL ROPS WARNING | 1 | | | 0.011 | ENGLISH |

FENDER

| Ref | Part Number | Part Name | Qty | IC | S/N | Lbs | Remarks |
|-----|-------------|--------------------|-----|----|-----|-------|---------|
| 080 | 3A112-98480 | LABEL ROPS WARNING | 1 | | | 0.008 | FRENCH |
| 090 | TA140-49330 | LABEL SHUTTLE | 1 | | | 0.011 | ENGLISH |
| 100 | TA141-49330 | LABEL SHUTTLE | 1 | | | 0.011 | FRENCH |
| 110 | TC220-47292 | HOLDER CUP | 1 | | | 0.264 | |
| 130 | 53761-61260 | GROMMET CIRCLE | 2 | | | 0.011 | |
| 140 | 30810-29170 | PLUG | 2 | | | 0.006 | |
| 150 | 02751-50080 | NUT FLANGE | 2 | | | 0.013 | |
| 160 | 01754-50816 | BOLT FLANGE | 5 | | | 0.024 | |
| 165 | 01754-50812 | BOLT FLANGE | 2 | | | 0.022 | |
| 170 | 01754-50820 | BOLT FLANGE | 1 | | | 0.033 | |
| 180 | T0270-29442 | GRIP | 1 | | | 0.66 | |
| 190 | 04013-60100 | WASHER PLAIN | 1 | | | 0.006 | |
| 200 | 02771-60100 | NUT FLANGE | 1 | | | 0.022 | |
| 210 | T0180-83590 | BOLT FLANGE | 1 | | | 0.048 | |
| 220 | 02771-60100 | NUT FLANGE | 1 | | | 0.022 | |

FENDER SUPPORT

Figure Num 01L213



FENDER SUPPORT

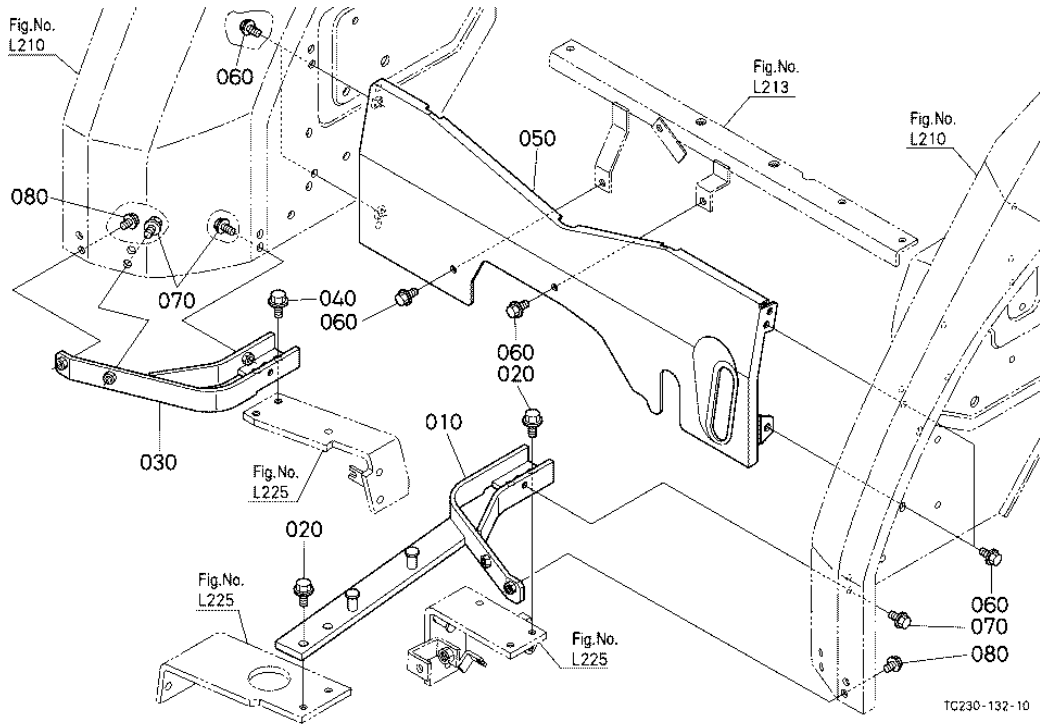
| Ref | Part Number | Part Name | Qty | IC | S/N | Lbs | Remarks |
|-----|-------------|-------------------|-----|----|-----|-------|---------|
| 010 | TC230-29214 | SUPPORT FENDER LH | 1 | | | 8.58 | |
| 020 | TC230-29224 | SUPPORT FENDER RH | 1 | | | 9.24 | |
| 030 | 01774-51230 | BOLT FLANGE | 4 | | | 0.094 | |
| 040 | TC030-29234 | SUPPORT SEAT | 1 | | | 3.982 | |
| 050 | 01774-61020 | BOLT FLANGE | 4 | | | 0.048 | |
| 060 | 01754-50825 | BOLT FLANGE | 1 | | | 0.022 | |
| 070 | TC230-57720 | STAY FENDER | 1 | | | 2.816 | |

FENDER SUPPORT

| Ref | Part Number | Part Name | Qty | IC | S/N | Lbs | Remarks |
|------------|--------------------|------------------|------------|-----------|------------|------------|----------------|
| 080 | 01754-50825 | BOLT FLANGE | 2 | | | 0.022 | |
| 090 | TC230-29443 | SUPPORT FENDER | 1 | | | 3.432 | |
| 100 | 01754-50816 | BOLT FLANGE | 4 | | | 0.024 | |

FLOOR SHEET COVER

Figure Num 01L217



FLOOR SHEET COVER

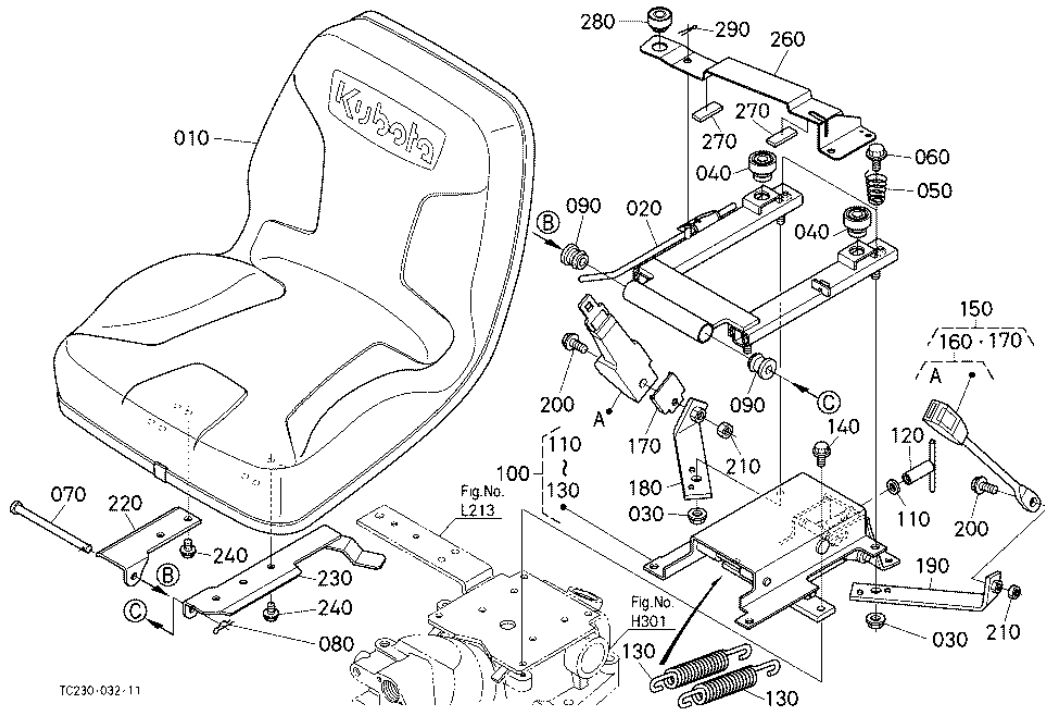
| Ref | Part Number | Part Name | Qty | IC | S/N | Lbs | Remarks |
|-----|-------------|-------------------|-----|----|-----|-------|---------|
| 010 | TC230-29180 | BRACKET FENDER LH | 1 | | | 4.62 | |
| 020 | 01774-61020 | BOLT FLANGE | 4 | | | 0.048 | |
| 030 | TC230-29190 | BRACKET FENDER RH | 1 | | | 1.98 | |
| 040 | 01774-61020 | BOLT FLANGE | 2 | | | 0.048 | |
| 050 | TC230-57540 | COVER FLOOR SHEET | 1 | | | 4.18 | |
| 060 | 01754-50816 | BOLT FLANGE | 6 | | | 0.024 | |
| 070 | 01754-50816 | BOLT FLANGE | 4 | | | 0.024 | |

FLOOR SHEET COVER

| Ref | Part Number | Part Name | Qty | IC | S/N | Lbs | Remarks |
|------------|--------------------|------------------|------------|-----------|------------|------------|----------------|
| 080 | 01754-50812 | BOLT FLANGE | 2 | | | 0.022 | |

SEAT

Figure Num 01L220



TC230-032-11

SEAT

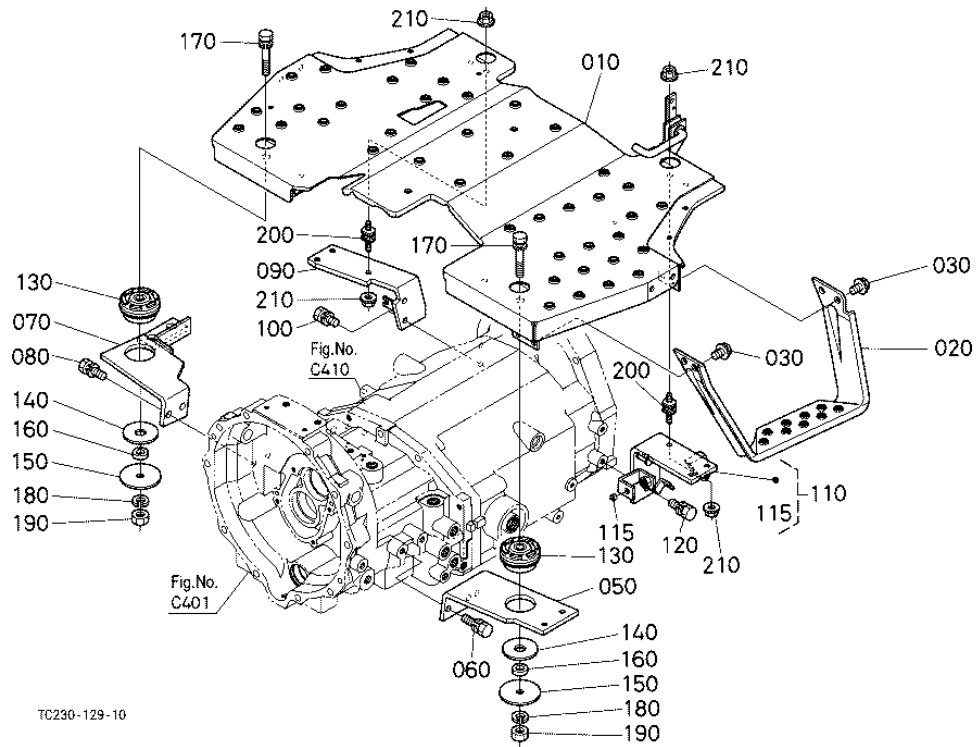
| Ref | Part Number | Part Name | Qty | IC | S/N | Lbs | Remarks |
|-----|-------------|--------------------|-----|----|-----|-------|---------|
| 010 | TC220-88720 | SEAT | 1 | | | 16.28 | |
| 020 | TC030-18420 | ASSY ADJUSTER SEAT | 1 | | | 5.28 | |
| 030 | 02783-50100 | NUT FLANGE | 4 | | | 0.022 | |
| 040 | 32160-18440 | CUSHION | 2 | | | 0.028 | |
| 050 | 3A272-75270 | SPRING SEAT | 2 | | | 0.066 | |
| 060 | 01754-50816 | BOLT FLANGE | 2 | | | 0.024 | |
| 070 | 38240-18470 | PIN SEAT | 1 | | | 0.187 | |

SEAT

| Ref | Part Number | Part Name | Qty | IC | S/N | Lbs | Remarks |
|-----|-------------|----------------------|-----|----|-----|-------|---------|
| 080 | 05516-61000 | PIN SNAP | 1 | | | 0.006 | |
| 090 | 37150-18490 | CUSHION | 2 | | | 0.044 | |
| 100 | TC030-11800 | ASSY SUSPENSION SEAT | 1 | | | 8.8 | |
| 110 | 04011-50100 | WASHER PLAIN | 1 | | | 0.004 | |
| 120 | TA040-11860 | NUT ADJUSTING | 1 | | | 1.331 | |
| 130 | TA040-11870 | SPRING SEAT | 2 | | | 0.572 | |
| 140 | 01754-50820 | BOLT FLANGE | 4 | | | 0.033 | |
| 150 | TC030-99700 | KIT BELT SEAT | 1 | | | 1.826 | |
| 160 | TD060-47780 | ASSY BELT SEAT | 1 | | | 1.771 | |
| 170 | TC050-18472 | COVER BELT SEAT | 1 | | | 0.198 | |
| 180 | TA040-18482 | BRACKET SEAT BELT RH | 1 | | | 0.594 | |
| 190 | TC030-18492 | BRACKET SEAT BELT LH | 1 | | | 0.66 | |
| 200 | 01774-51025 | BOLT FLANGE | 2 | | | 0.044 | |
| 210 | 02116-50100 | NUT | 2 | | | 0.008 | |
| 220 | TC030-18452 | BRACKET SEAT RH | 1 | | | 0.572 | |
| 230 | TC030-18472 | BRACKET SEAT LH | 1 | | | 1.012 | |
| 240 | 01754-50816 | BOLT FLANGE | 4 | | | 0.024 | |
| 260 | TC030-18480 | BRACKET SWITCH | 1 | | | 0.77 | |
| 270 | TC030-23800 | CUSHION SWITCH | 2 | | | 0.008 | |
| 280 | 32160-18440 | CUSHION | 1 | | | 0.028 | |
| 290 | 05511-50318 | PIN SPLIT | 1 | | | 0.002 | |

STEP

Figure Num 01L225



STEP

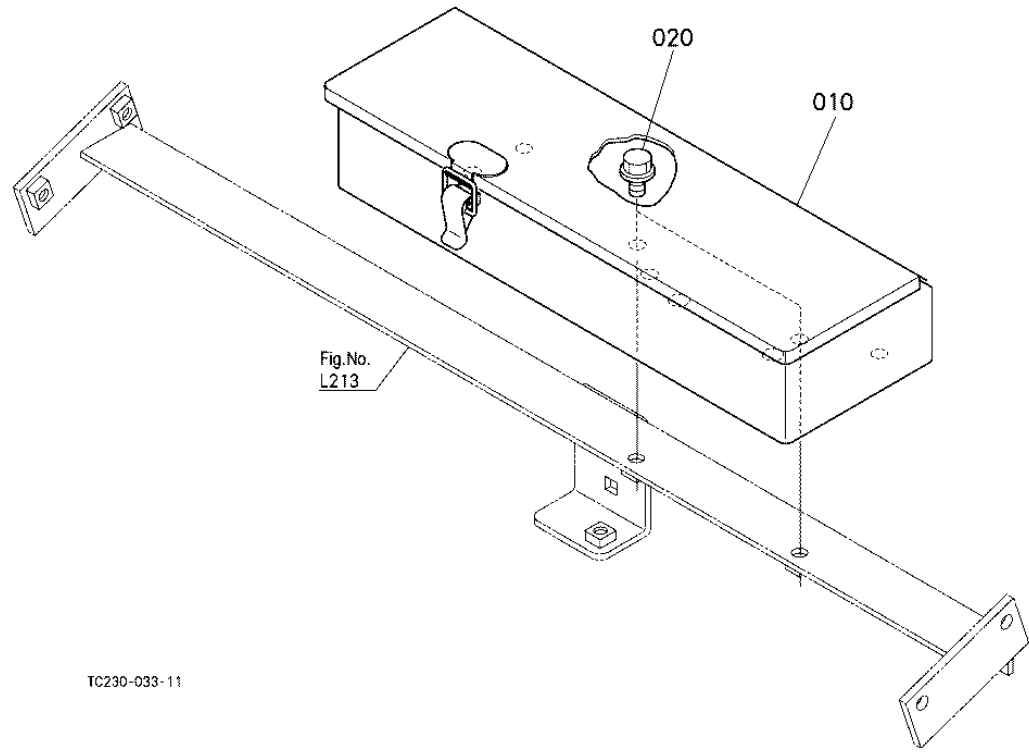
| Ref | Part Number | Part Name | Qty | IC | S/N | Lbs | Remarks |
|-----|-------------|----------------------|-----|----|-----|-------|---------|
| 010 | TC230-57474 | COMP.STEP HST | 1 | | | 28.38 | |
| 020 | TD170-47470 | STEP AID LH | 1 | | | 2.2 | |
| 030 | 01754-50816 | BOLT FLANGE | 4 | | | 0.024 | |
| 050 | TC230-29144 | BRACKET STEP FRON.LH | 1 | | | 3.52 | |
| 060 | 01133-51230 | BOLT | 2 | | | 0.088 | |
| 070 | TC230-57420 | BRACKET STEP FRON.RH | 1 | | | 3.3 | |
| 080 | 01133-51230 | BOLT | 2 | | | 0.088 | |

STEP

| Ref | Part Number | Part Name | Qty | IC | S/N | Lbs | Remarks |
|-----|-------------|----------------------|-----|----|-----|-------|---------|
| 090 | TC230-57410 | BRACKET STEP REAR RH | 1 | | | 2.464 | |
| 100 | 01133-51025 | BOLT | 2 | | | 0.050 | |
| 110 | TC230-55640 | ASSY BRACKET STEP | 1 | | | 3.036 | |
| 115 | 08511-01006 | BUSH | 1 | | | 0.017 | |
| 120 | 01133-51025 | BOLT | 2 | | | 0.050 | |
| 130 | TA470-47380 | CUSHION | 2 | | | 0.33 | |
| 140 | 04013-50180 | WASHER PLAIN | 2 | | | 0.033 | |
| 150 | T1060-47320 | WASHER | 2 | | | 0.228 | |
| 160 | TC230-29130 | COLLAR | 2 | | | 0.052 | |
| 170 | 01133-51475 | BOLT | 2 | | | 0.231 | |
| 180 | 04512-60140 | WASHER SPRING | 2 | | | 0.017 | |
| 190 | 02174-50140 | NUT | 2 | | | 0.030 | |
| 200 | TC030-47350 | CUSHION | 2 | | | 0.083 | |
| 210 | 02751-50080 | NUT FLANGE | 4 | | | 0.013 | |

TOOL BOX

Figure Num 01L240



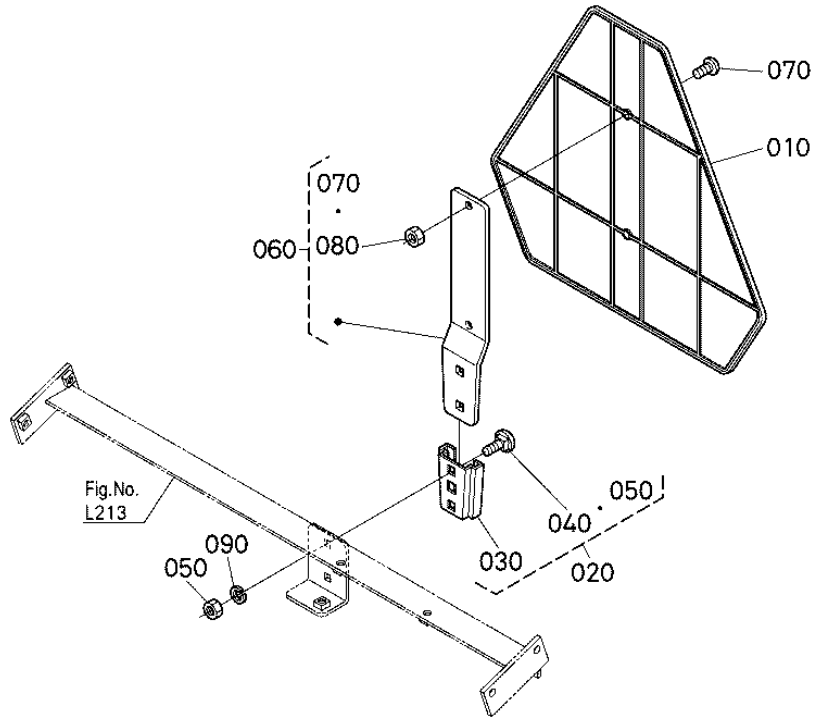
TC230-033-11

TOOL BOX

| Ref | Part Number | Part Name | Qty | IC | S/N | Lbs | Remarks |
|-----|-------------|-------------|-----|----|-----|-------|---------|
| 010 | 32310-18512 | CASE TOOLS | 1 | | | 0 | |
| 020 | 01754-50816 | BOLT FLANGE | 2 | | | 0.024 | |

SMV EMBLEM

Figure Num 01L501



TC230-036-10

SMV EMBLEM

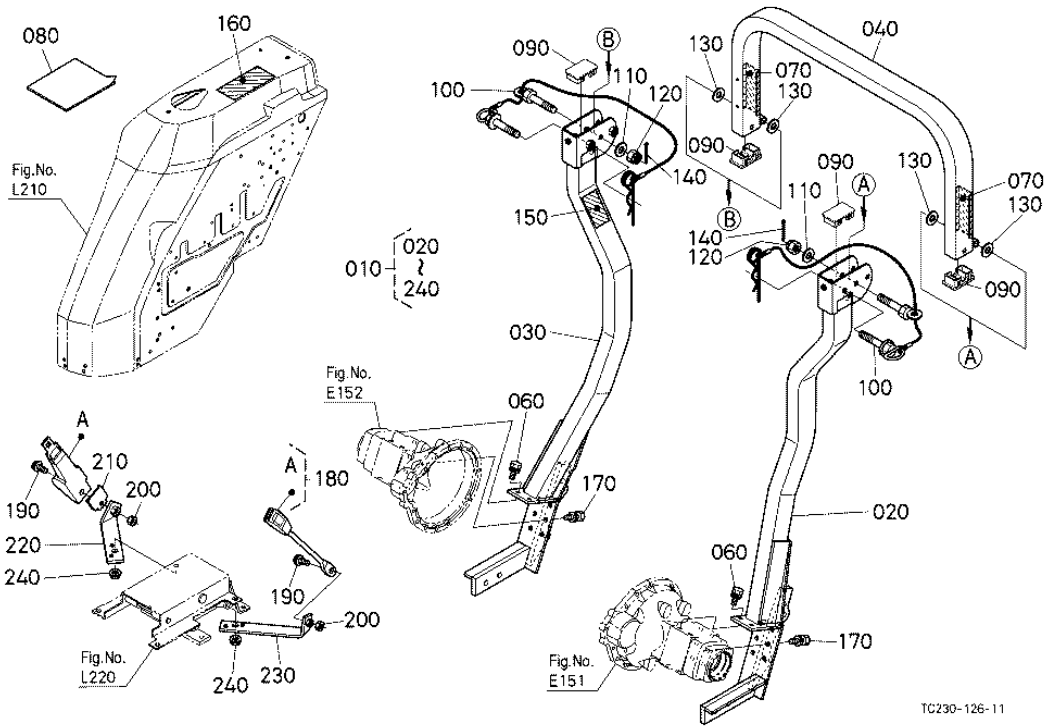
| Ref | Part Number | Part Name | Qty | IC | S/N | Lbs | Remarks |
|-----|-------------|------------------|-----|----|-----|-------|---------|
| 010 | 7L500-89912 | SIGN SMV | 1 | | | 0.704 | |
| 020 | 7L500-89920 | SOCKET SMV SIGN | 1 | | | 0.22 | |
| 030 | 7L500-89930 | SOCKET-MTG SMV | 1 | | | 0.11 | |
| 040 | 7L500-89940 | BOLT SQUARE NECK | 2 | | | 0.022 | |
| 050 | 7L500-89950 | NUT | 2 | | | 0.008 | |
| 060 | 7L500-89960 | SPADE SMV SIGN | 1 | | | 0.528 | |
| 070 | 7L500-89980 | SCREW PAN HEAD | 2 | | | 0.044 | |

SMV EMBLEM

| Ref | Part Number | Part Name | Qty | IC | S/N | Lbs | Remarks |
|-----|-------------|---------------|-----|----|-----|-------|---------|
| 080 | 7L500-89990 | NUT | 2 | | | 0.002 | |
| 090 | 04512-60080 | WASHER SPRING | 2 | | | 0.004 | |

ROPS

Figure Num 01L301



ROPS

| Ref | Part Number | Part Name | Qty | IC | S/N | Lbs | Remarks |
|-----|-------------|----------------------|-----|----|---------|-------|----------|
| 010 | TC230-50072 | KIT ROPS REPLACEMENT | 1 | >> | >=82422 | 0 | NOT SALE |
| 010 | TC230-50070 | KIT ROPS REPLACEMENT | 1 | | <=82421 | 0 | NOT SALE |
| 020 | 99999-99999 | COMP.FRAME LH | 1 | | | 0 | |
| 030 | 99999-99999 | COMP.FRAME RH | 1 | | | 0 | |
| 040 | 99999-99999 | FRAME UPPER | 1 | | | 0 | |
| 060 | 01138-51265 | BOLT | 4 | | <=82421 | 0.748 | |
| 060 | 01138-51430 | BOLT | 4 | NI | >=82422 | 0.154 | |

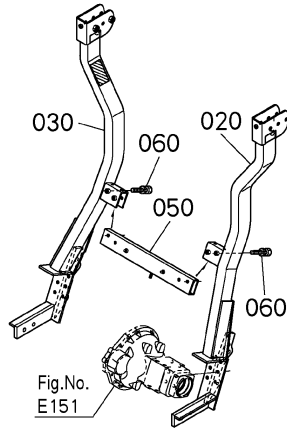
ROPS

| Ref | Part Number | Part Name | Qty | IC | S/N | Lbs | Remarks |
|-----|-------------|----------------------|-----|----|-----|-------|---------|
| 070 | 6C140-54990 | REFLECTOR LABEL | 2 | | | 0.006 | |
| 080 | 99999-99999 | MANUAL ASSEMBLY | 1 | | | 0 | |
| 090 | TC050-48773 | COVER ROPS | 4 | | | 0.066 | |
| 100 | TA240-48752 | SET BOLT | 2 | | | 0.957 | |
| 110 | 04013-60160 | WASHER PLAIN | 2 | | | 0.022 | |
| 120 | 02254-50160 | NUT | 2 | | | 0.088 | |
| 130 | 04013-60160 | WASHER PLAIN | 4 | | | 0.022 | |
| 140 | 05511-50430 | PIN SPLIT | 2 | | | 0.008 | |
| 150 | 3A111-95540 | LABEL ROPS CAUTION | 1 | | | 0.002 | ENGLISH |
| 150 | 3A112-95540 | LABEL ROPS CAUTION | 1 | | | 0.006 | FRENCH |
| 160 | TA240-98480 | LABEL ROPS WARNING | 1 | | | 0.011 | ENGLISH |
| 160 | 3A112-98480 | LABEL ROPS WARNING | 1 | | | 0.008 | FRENCH |
| 170 | 01138-51430 | BOLT | 12 | | | 0.154 | |
| 180 | TD060-47780 | ASSY BELT SEAT | 1 | | | 1.771 | |
| 190 | 01774-51025 | BOLT FLANGE | 2 | | | 0.044 | |
| 200 | 02116-50100 | NUT | 2 | | | 0.008 | |
| 210 | TC050-18472 | COVER BELT SEAT | 1 | | | 0.198 | |
| 220 | TA040-18482 | BRACKET SEAT BELT RH | 1 | | | 0.594 | |
| 230 | TC030-18492 | BRACKET SEAT BELT LH | 1 | | | 0.66 | |
| 240 | 02783-50100 | NUT FLANGE | 2 | | | 0.022 | |

ROPS

Figure Num 01L301

OLD PARTS



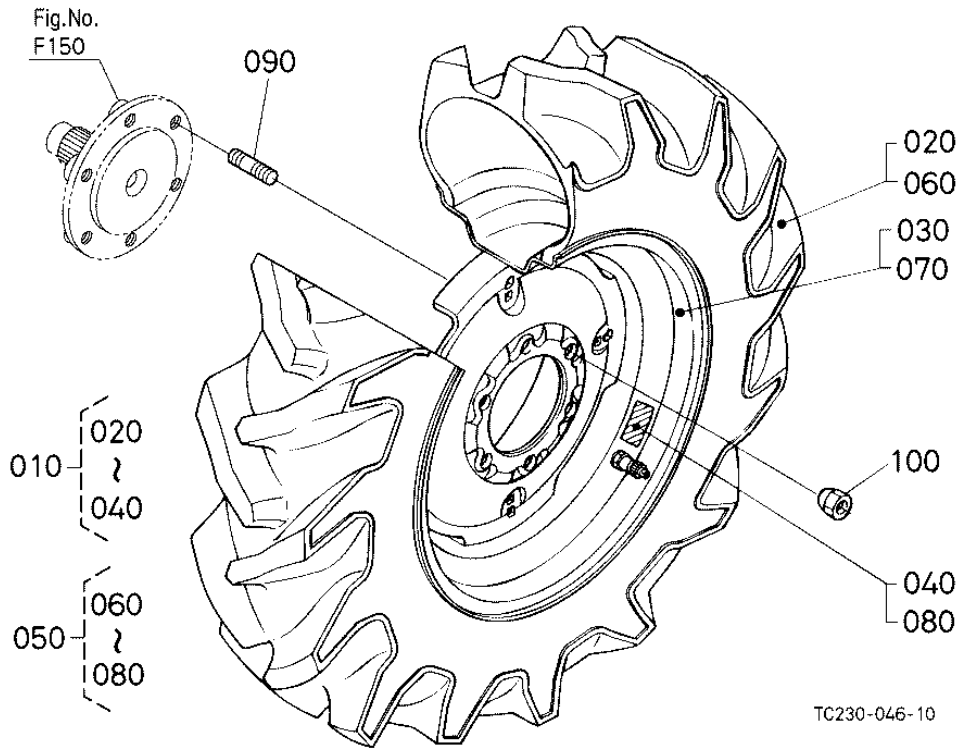
TC230-826-10

ROPS

| Ref | Part Number | Part Name | Qty | IC | S/N | Lbs | Remarks |
|-----|-------------|---------------|-----|----|---------|-------|---------|
| 020 | 99999-99999 | COMP.FRAME LH | 1 | | | 0 | |
| 030 | 99999-99999 | COMP.FRAME RH | 1 | | | 0 | |
| 050 | 99999-99999 | STAY JOINT | 1 | | <=82421 | 0 | |
| 060 | 01138-51430 | BOLT | 4 | NI | >=82422 | 0.154 | |
| 060 | 01138-51265 | BOLT | 4 | | <=82421 | 0.748 | |

FRONT WHEEL (8.3-16)

Figure Num 01P10101



FRONT WHEEL (8.3-16)

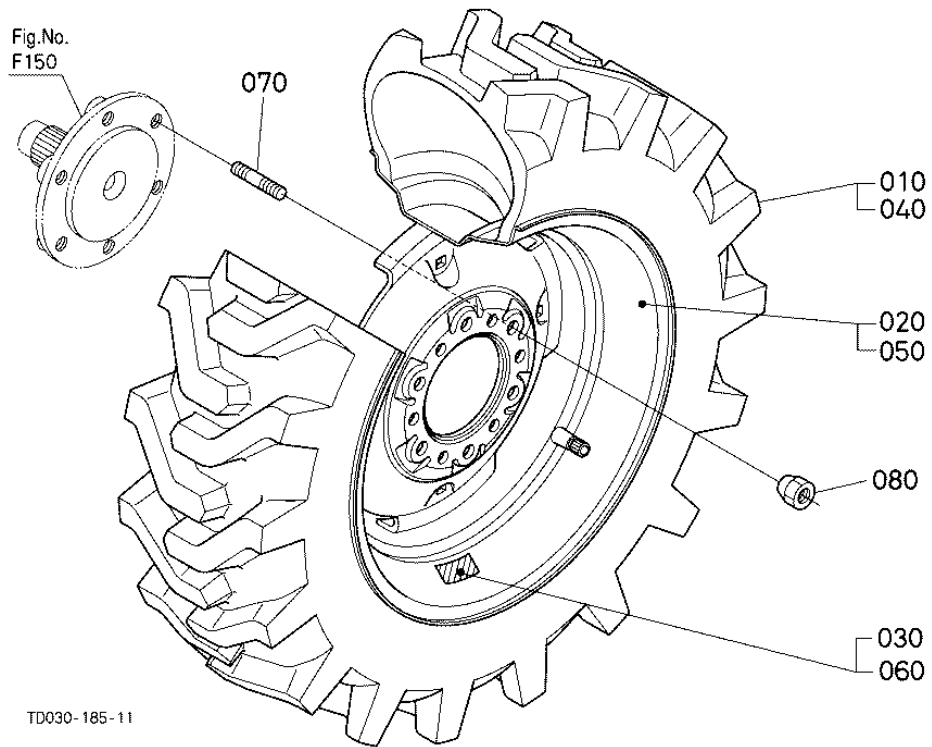
| Ref | Part Number | Part Name | Qty | IC | S/N | Lbs | Remarks |
|-----|-------------|---------------|-----|----|-----|-------|-----------|
| 010 | TC230-10730 | ASSY TIRE | 1 | | | 0 | ABR8753BR |
| 020 | TC230-43040 | TIRE | 1 | | | 0 | ABR8753BR |
| 030 | 66434-17640 | WHEEL | 1 | | | 24.86 | ABR8753BR |
| 040 | 99999-99999 | LABEL TIRE RH | 1 | | | 0 | ABR8753BR |
| 050 | TC230-10740 | ASSY TIRE | 1 | | | 0 | ABR8753BL |
| 060 | TC230-43040 | TIRE | 1 | | | 0 | ABR8753BL |
| 070 | 66434-17640 | WHEEL | 1 | | | 24.86 | ABR8753BL |

FRONT WHEEL (8.3-16)

| Ref | Part Number | Part Name | Qty | IC | S/N | Lbs | Remarks |
|------------|--------------------|------------------|------------|-----------|------------|------------|----------------|
| 080 | 99999-99999 | LABEL TIRE LH | 1 | | | 0 | ABR8753BL |
| 090 | TA150-49160 | STUD WHEEL | 12 | | | 0.11 | |
| 100 | 35340-11390 | NUT | 12 | | | 0.066 | |

FRONT WHEEL (10.0-16.5)

Figure Num 01P10102



FRONT WHEEL (10.0-16.5)

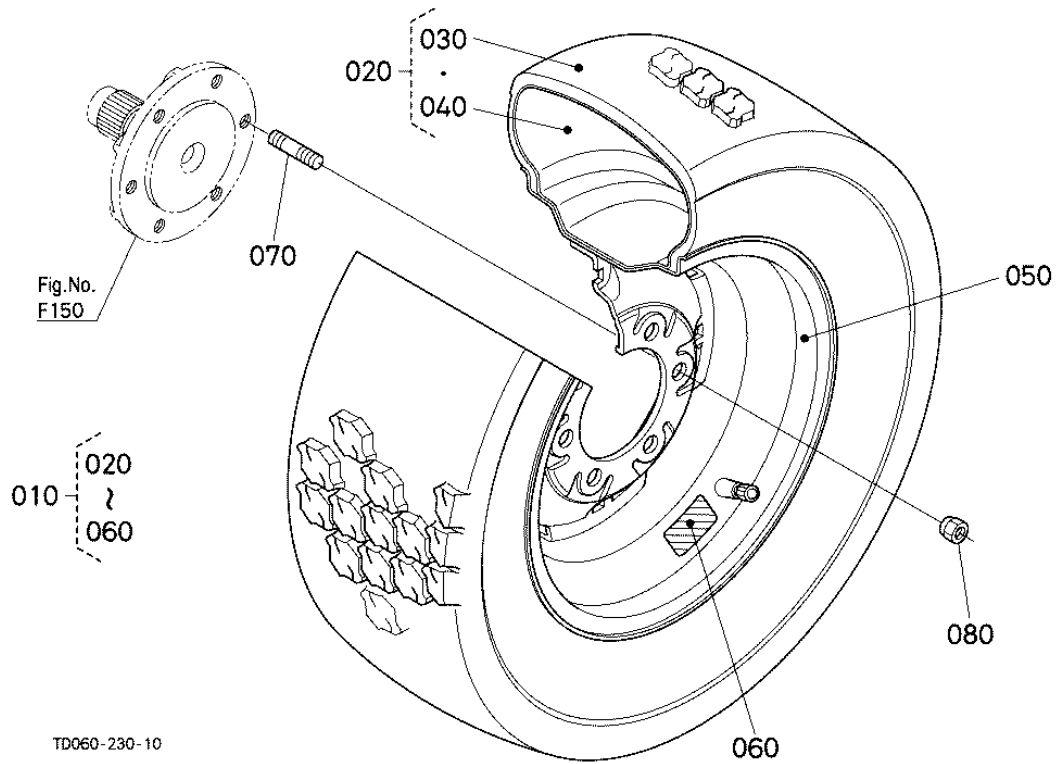
| Ref | Part Number | Part Name | Qty | IC | S/N | Lbs | Remarks |
|-----|-------------|------------|-----|----|-----|------|-----------|
| 010 | TA040-50930 | TIRE | 1 | | | 0 | ALR8869AR |
| 020 | TA040-42420 | WHEEL | 1 | | | 0 | ALR8869AR |
| 030 | 99999-99999 | LABEL RH | 1 | | | 0 | ALR8869AR |
| 040 | TA040-50930 | TIRE | 1 | | | 0 | ALR8869AL |
| 050 | TA040-42420 | WHEEL | 1 | | | 0 | ALR8869AL |
| 060 | 99999-99999 | LABEL LH | 1 | | | 0 | ALR8869AL |
| 070 | TA150-49160 | STUD WHEEL | 12 | | | 0.11 | |

FRONT WHEEL (10.0-16.5)

| Ref | Part Number | Part Name | Qty | IC | S/N | Lbs | Remarks |
|------------|--------------------|------------------|------------|-----------|------------|------------|----------------|
| 080 | 35340-11390 | NUT | 12 | | | 0.066 | |

FRONT WHEEL (27-10.50LL15)

Figure Num 01P10103



FRONT WHEEL (27-10.50LL15)

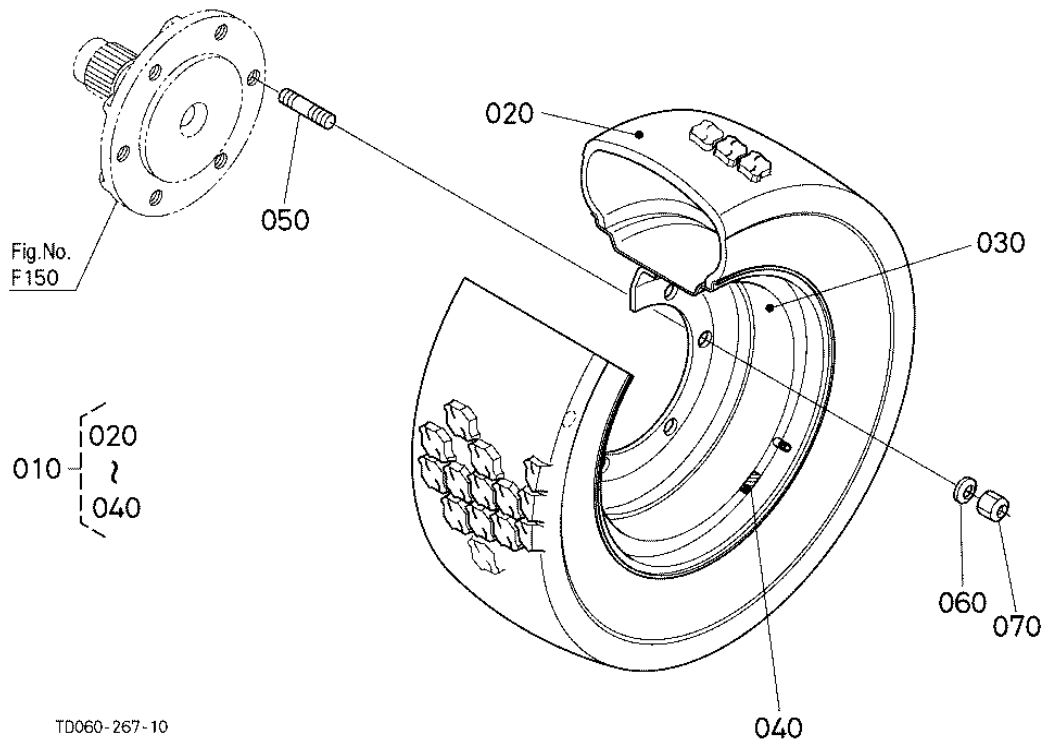
| Ref | Part Number | Part Name | Qty | IC | S/N | Lbs | Remarks |
|-----|-------------|-------------|-----|----|-----|------|---------|
| 010 | TA140-11500 | FRONT WHEEL | 2 | | | 0 | ALR8898 |
| 020 | TA140-11510 | TIRE ASSY | 2 | | | 0 | ALR8898 |
| 030 | TA140-11520 | TIRE | 2 | | | 0 | ALR8898 |
| 040 | TA140-11530 | TUBE | 2 | | | 0 | ALR8898 |
| 050 | TA140-11540 | WHEEL | 2 | | | 0 | ALR8898 |
| 060 | 99999-99999 | LABEL TIRE | 2 | | | 0 | ALR8898 |
| 070 | TA150-49160 | STUD WHEEL | 12 | | | 0.11 | |

FRONT WHEEL (27-10.50LL15)

| Ref | Part Number | Part Name | Qty | IC | S/N | Lbs | Remarks |
|-----|-------------|-----------|-----|----|-----|-------|---------|
| 080 | 35340-11390 | NUT | 12 | | | 0.066 | |

FRONT WHEEL (305R343 LSW)

Figure Num 01P10104



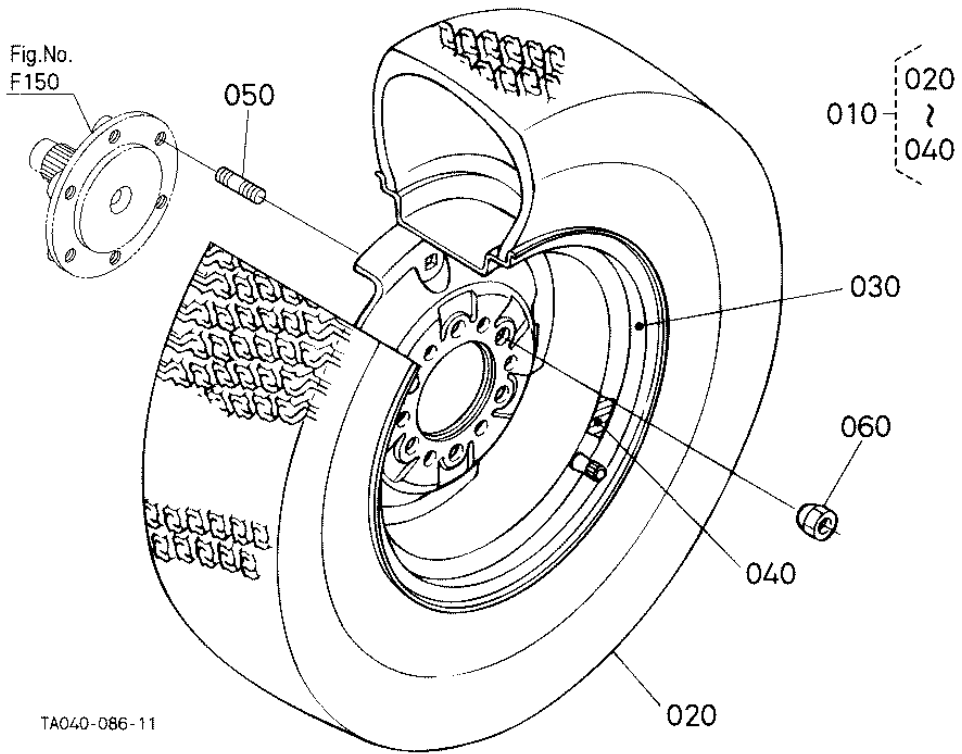
TD060-267-10

FRONT WHEEL (305R343 LSW)

| Ref | Part Number | Part Name | Qty | IC | S/N | Lbs | Remarks |
|-----|-------------|---------------|-----|----|-----|-------|---------|
| 010 | TD170-00560 | ASSY TIRE | 2 | | | 0 | ALR6818 |
| 020 | TD170-00670 | TIRE | 2 | | | 0 | ALR6818 |
| 030 | TD170-11540 | WHEEL | 2 | | | 0 | ALR6818 |
| 040 | 99999-99999 | LABEL TIRE | 2 | | | 0 | ALR6818 |
| 050 | TA150-49160 | STUD WHEEL | 12 | | | 0.11 | |
| 060 | 04512-60140 | WASHER SPRING | 12 | | | 0.017 | |
| 070 | 35340-11390 | NUT | 12 | | | 0.066 | |

FRONT WHEEL (27*8.50-15)

Figure Num 01P10105

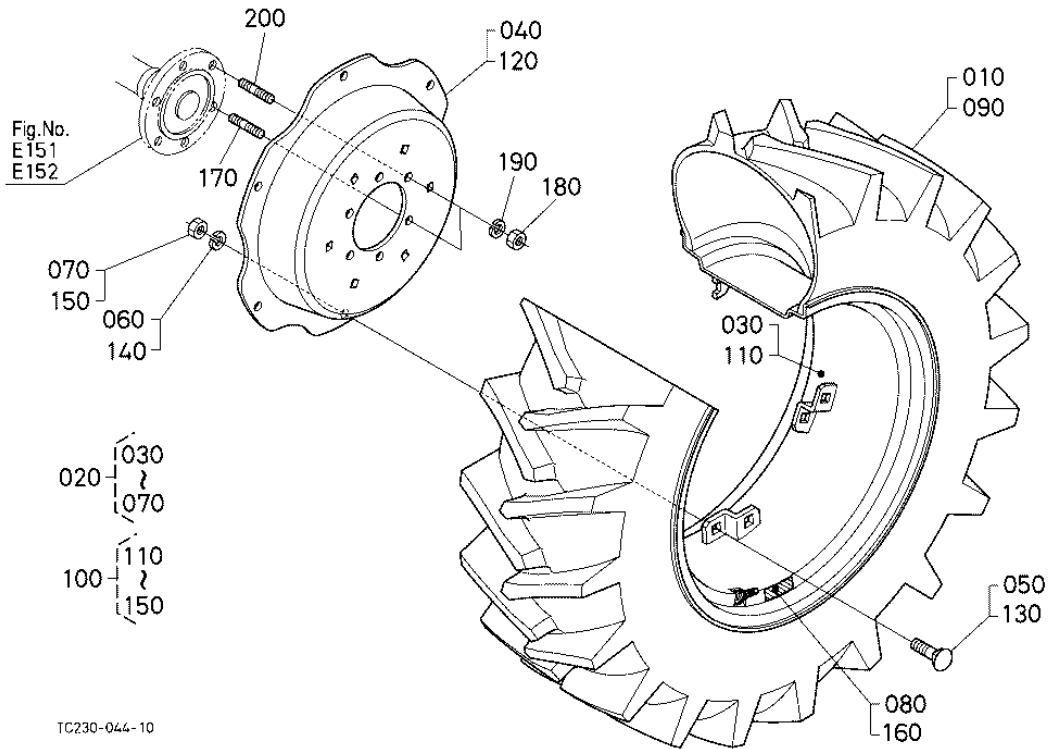


FRONT WHEEL (27*8.50-15)

| Ref | Part Number | Part Name | Qty | IC | S/N | Lbs | Remarks |
|-----|-------------|------------------|-----|----|-----|-------|---------|
| 010 | TA040-10500 | ASSY FRONT WHEEL | 2 | | | 0 | ALR8868 |
| 020 | 67002-17630 | TIRE | 2 | | | 0 | ALR8868 |
| 030 | TA040-10550 | WHEEL | 2 | | | 0 | ALR8868 |
| 040 | 99999-99999 | LABEL TIRE | 2 | | | 0 | ALR8868 |
| 050 | TA150-49160 | STUD WHEEL | 12 | | | 0.11 | |
| 060 | 35340-11390 | NUT | 12 | | | 0.066 | |

REAR WHEEL (14.9-24)

Figure Num 01P11001



REAR WHEEL (14.9-24)

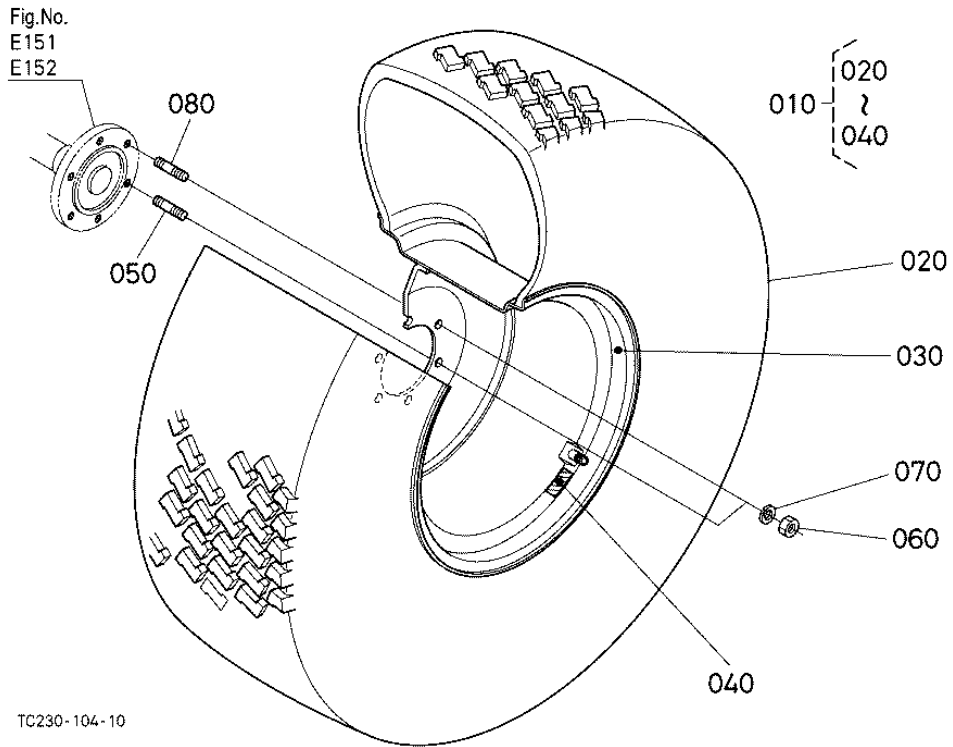
| Ref | Part Number | Part Name | Qty | IC | S/N | Lbs | Remarks |
|-----|-------------|--------------------|-----|----|-----|-------|----------|
| 010 | TC230-27700 | TIRE | 1 | | | 0 | ALR6811R |
| 020 | TC230-27840 | ASSY WHEEL | 1 | | | 0 | ALR6811R |
| 030 | TC230-27850 | RIM | 1 | | | 0 | ALR6811R |
| 040 | TC230-27660 | DISK | 1 | | | 0 | ALR6811R |
| 050 | 31220-27680 | BOLT | 6 | | | 0.198 | ALR6811R |
| 060 | 75599-33017 | WASHER SPRING LOCK | 6 | | | 0.011 | ALR6811R |
| 070 | 02174-50160 | NUT | 6 | | | 0.048 | ALR6811R |

REAR WHEEL (14.9-24)

| Ref | Part Number | Part Name | Qty | IC | S/N | Lbs | Remarks |
|-----|-------------|--------------------|-----|----|-----|-------|----------|
| 080 | 99999-99999 | LABEL TIRE RH | 1 | | | 0 | ALR6811R |
| 090 | TC230-27700 | TIRE | 1 | | | 0 | ALR6811L |
| 100 | TC230-27840 | ASSY WHEEL | 1 | | | 0 | ALR6811L |
| 110 | TC230-27850 | RIM | 1 | | | 0 | ALR6811L |
| 120 | TC230-27660 | DISK | 1 | | | 0 | ALR6811L |
| 130 | 31220-27680 | BOLT | 6 | | | 0.198 | ALR6811L |
| 140 | 75599-33017 | WASHER SPRING LOCK | 6 | | | 0.011 | ALR6811L |
| 150 | 02174-50160 | NUT | 6 | | | 0.048 | ALR6811L |
| 160 | 99999-99999 | LABEL TIRE LH | 1 | | | 0 | ALR6811L |
| 170 | 01517-51635 | STUD | 8 | | | 0.171 | |
| 180 | 02076-50160 | NUT | 12 | | | 0.066 | |
| 190 | 04512-60160 | WASHER SPRING | 12 | | | 0.022 | |
| 200 | 01517-51635 | STUD | 4 | | | 0.171 | |

REAR WHEEL (44*18-20)

Figure Num 01P11002



REAR WHEEL (44*18-20)

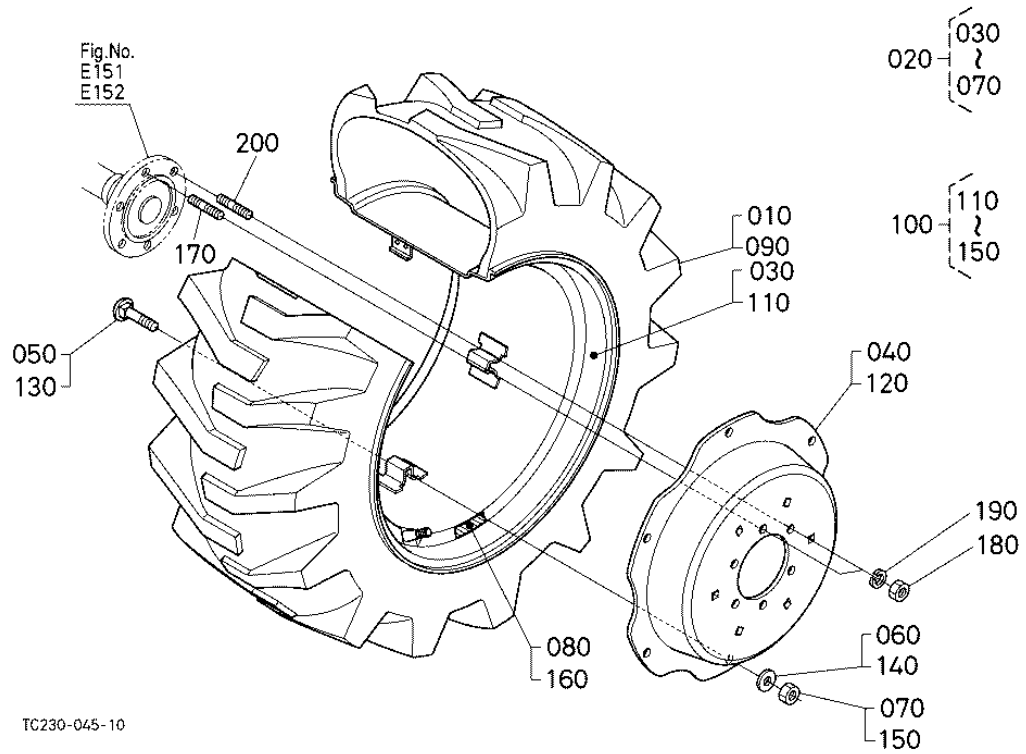
| Ref | Part Number | Part Name | Qty | IC | S/N | Lbs | Remarks |
|-----|-------------|---------------|-----|----|-----|-------|---------|
| 010 | TD050-51310 | ASSY TIRE | 2 | | | 0 | ALR6803 |
| 020 | TC050-51330 | TIRE | 2 | | | 0 | ALR6803 |
| 030 | TD050-51340 | WHEEL | 2 | | | 0 | ALR6803 |
| 040 | 99999-99999 | LABEL TIRE | 2 | | | 0 | ALR6803 |
| 050 | 01517-51635 | STUD | 8 | | | 0.171 | |
| 060 | 02076-50160 | NUT | 12 | | | 0.066 | |
| 070 | 04512-60160 | WASHER SPRING | 12 | | | 0.022 | |

REAR WHEEL (44*18-20)

| Ref | Part Number | Part Name | Qty | IC | S/N | Lbs | Remarks |
|-----|-------------|-----------|-----|----|-----|-------|---------|
| 080 | 01517-51635 | STUD | 4 | | | 0.171 | |

REAR WHEEL (17.5L-24)

Figure Num 01P11003



REAR WHEEL (17.5L-24)

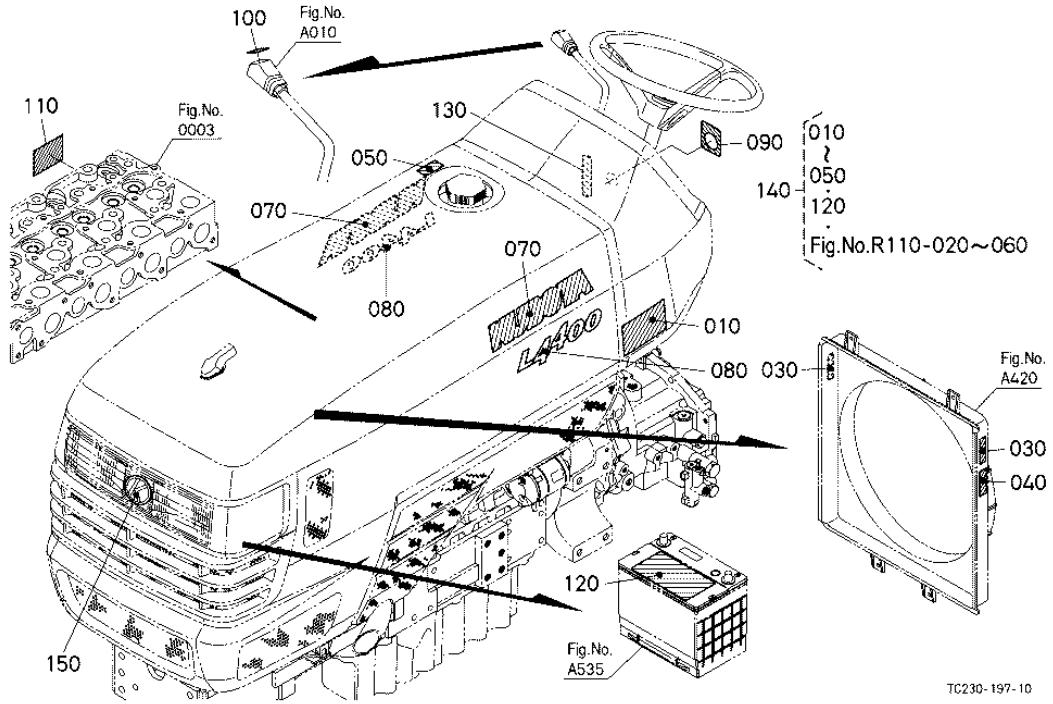
| Ref | Part Number | Part Name | Qty | IC | S/N | Lbs | Remarks |
|-----|-------------|--------------|-----|----|-----|-------|----------|
| 010 | TD060-27730 | TIRE | 1 | | | 0 | ALR6807R |
| 020 | TC230-27630 | ASSY WHEEL | 1 | | | 0 | ALR6807R |
| 030 | TC050-00880 | RIM | 1 | | | 0 | ALR6807R |
| 040 | TC230-27660 | DISK | 1 | | | 0 | ALR6807R |
| 050 | TC050-00970 | BOLT | 6 | | | 0.352 | ALR6807R |
| 060 | TC050-00980 | WASHER PLAIN | 6 | | | 0.044 | ALR6807R |
| 070 | TC050-00990 | NUT | 6 | | | 0 | ALR6807R |

REAR WHEEL (17.5L-24)

| Ref | Part Number | Part Name | Qty | IC | S/N | Lbs | Remarks |
|-----|-------------|---------------|-----|----|-----|-------|----------|
| 080 | 99999-99999 | LABEL TIRE RH | 1 | | | 0 | ALR6807R |
| 090 | TD060-27730 | TIRE | 1 | | | 0 | ALR6807L |
| 100 | TC230-27630 | ASSY WHEEL | 1 | | | 0 | ALR6807L |
| 110 | TC050-00880 | RIM | 1 | | | 0 | ALR6807L |
| 120 | TC230-27660 | DISK | 1 | | | 0 | ALR6807L |
| 130 | TC050-00970 | BOLT | 6 | | | 0.352 | ALR6807L |
| 140 | TC050-00980 | WASHER PLAIN | 6 | | | 0.044 | ALR6807L |
| 150 | TC050-00990 | NUT | 6 | | | 0 | ALR6807L |
| 160 | 99999-99999 | LABEL TIRE LH | 1 | | | 0 | ALR6807L |
| 170 | 01517-51635 | STUD | 8 | | | 0.171 | |
| 180 | 02076-50160 | NUT | 12 | | | 0.066 | |
| 190 | 04512-60160 | WASHER SPRING | 12 | | | 0.022 | |
| 200 | 01517-51635 | STUD | 4 | | | 0.171 | |

LABEL 1 (FRONT)

Figure Num 01R105



LABEL 1 (FRONT)

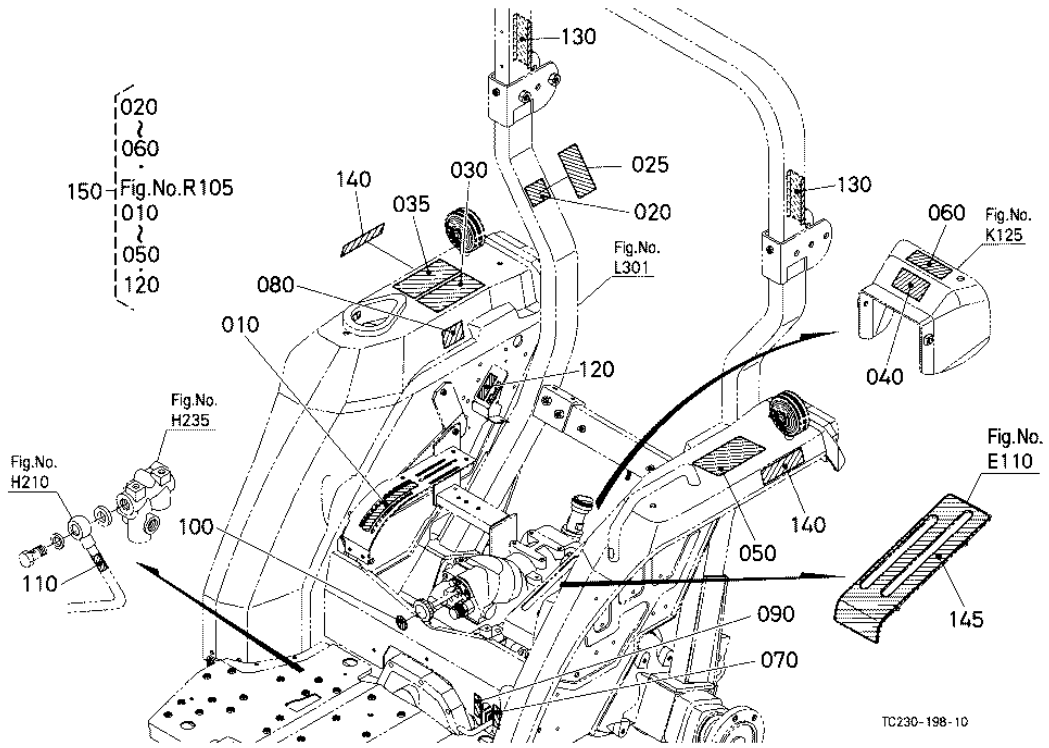
| Ref | Part Number | Part Name | Qty | IC | S/N | Lbs | Remarks |
|-----|-------------|---------------------|-----|----|-----|-------|---------|
| 010 | TA041-49650 | LABEL START CAUTION | 1 | | | 0.008 | FRENCH |
| 010 | TA040-49650 | LABEL START CAUTION | 1 | | | 0.008 | ENGLISH |
| 030 | 6C090-49580 | LABEL FAN WARNING | 2 | | | 0.002 | |
| 040 | TC030-49580 | LABEL MUFFLER | 1 | | | 0.002 | |
| 050 | TC230-49560 | LABEL FILLER | 1 | | | 0.002 | ENGLISH |
| 050 | TC231-49560 | LABEL FILLER | 1 | | | 0.002 | FRENCH |
| 070 | TC220-80930 | LABEL KUBOTA | 2 | | | 0.028 | |

LABEL 1 (FRONT)

| Ref | Part Number | Part Name | Qty | IC | S/N | Lbs | Remarks |
|-----|-------------|----------------------|-----|----|-----|-------|---------|
| 080 | TC230-49420 | MARK MODEL | 2 | | | 0.004 | |
| 090 | TC020-65510 | LABEL MAIN SWITCH | 1 | | | 0.002 | |
| 100 | TA040-49370 | MARK ACCEL.GRIP | 1 | | | 0.002 | |
| 110 | 1G790-87210 | LABEL PUMP | 1 | | | 0.002 | ENGLISH |
| 110 | 1G851-87210 | LABEL PUMP | 1 | | | 0.002 | FRENCH |
| 120 | TD060-30122 | LABEL BATTERY | 1 | | | 0.008 | ENGLISH |
| 120 | TD061-30120 | LABEL BATTERY | 1 | | | 0.008 | FRENCH |
| 130 | TA040-49460 | LABEL PARKING | 1 | | | 0.002 | |
| 140 | TC230-99502 | KIT LABEL SAFETY (A) | 1 | | | 0.088 | ENGLISH |
| 140 | TC231-99502 | KIT LABEL SAFETY (B) | 1 | | | 0.083 | FRENCH |
| 150 | TA140-49500 | MARK SYMBOL | 1 | | | 0.028 | |

LABEL 2 (REAR)

Figure Num 01R110



LABEL 2 (REAR)

| Ref | Part Number | Part Name | Qty | IC | S/N | Lbs | Remarks |
|-----|-------------|--------------------|-----|----|-----|-------|-------------------|
| 010 | TA040-49500 | MARK POSITION | 1 | | | 0.004 | |
| 020 | 6C140-47460 | LABEL ROPS WARNING | 1 | | | 0.002 | ENGLISH OUT OF US |
| 020 | 6C141-47460 | LABEL ROPS WARNING | 1 | | | 0.002 | FRENCH OUT OF USE |
| 025 | 3A111-95540 | LABEL ROPS CAUTION | 1 | | | 0.002 | ENGLISH |
| 025 | 3A112-95540 | LABEL ROPS CAUTION | 1 | | | 0.006 | FRENCH |
| 030 | TA240-98480 | LABEL ROPS WARNING | 1 | | | 0.011 | ENGLISH |
| 030 | 3A112-98480 | LABEL ROPS WARNING | 1 | | | 0.008 | FRENCH |

LABEL 2 (REAR)

| Ref | Part Number | Part Name | Qty | IC | S/N | Lbs | Remarks |
|-----|-------------|----------------------|-----|----|-----|-------|-------------------|
| 030 | TA040-49320 | LABEL ROPS WARNING | 1 | | | 0.002 | ENGLISH OUT OF US |
| 030 | TA040-49150 | LABEL ROPS WARNING | 1 | | | 0.006 | FRENCH OUT OF USE |
| 035 | TA140-49330 | LABEL SHUTTLE | 1 | | | 0.011 | |
| 040 | TA040-49350 | LABEL DRAWBAR | 1 | | | 0.004 | ENGLISH |
| 040 | TA041-49350 | LABEL DRAWBAR | 1 | | | 0.006 | FRENCH |
| 050 | TA041-65702 | LABEL SAFETY | 1 | | | 0.022 | FRENCH |
| 050 | 35260-34914 | LABEL SAFETY | 1 | | | 0.011 | ENGLISH |
| 060 | TA041-49590 | LABEL PTO WARNING | 1 | | | 0.002 | FRENCH |
| 060 | TA040-49593 | LABEL PTO WARNING | 1 | | | 0.002 | ENGLISH |
| 070 | TA040-49550 | MARK 4WD | 1 | | | 0.002 | |
| 080 | TA040-49302 | LABEL I-PTO CAUTION | 1 | | | 0.002 | ENGLISH |
| 080 | TA041-49300 | LABEL I-PTO CAUTION | 1 | | | 0.006 | FRENCH |
| 090 | 3C081-98410 | MARK DIFF.LOCK | 1 | | | 0.002 | |
| 100 | TA470-49330 | MARK HYD.ADJUST. | 1 | | | 0.002 | |
| 110 | 32430-65790 | LABEL HYD.BLOCK | 1 | | | 0.022 | |
| 120 | TA040-49160 | MARK REAR PTO | 1 | | | 0.002 | |
| 130 | 6C140-54990 | REFLECTOR LABEL | 2 | | | 0.006 | |
| 140 | TD060-57610 | MARK HST FENDER | 2 | | | 0.004 | |
| 145 | TC220-57582 | LABEL CHANGE GUIDE | 1 | | | 0.033 | |
| 150 | TC231-99502 | KIT LABEL SAFETY (B) | 1 | | | 0.083 | FRENCH |
| 150 | TC230-99502 | KIT LABEL SAFETY (A) | 1 | | | 0.088 | ENGLISH |

ACCESSORIES AND SERVICE PARTS

Figure Num 01S105

ACCESSORIES AND SERVICE PARTS ACCESSOIRES ET PIECES DE SERVICE SONTIGES ZUBEHOER UND SERVICE-TEILE ACCESORIOS Y SERVICIO PIEZAS ACCESSORI E SERVIZIO PARTI

TITLE-001-11

ACCESSORIES AND SERVICE PARTS

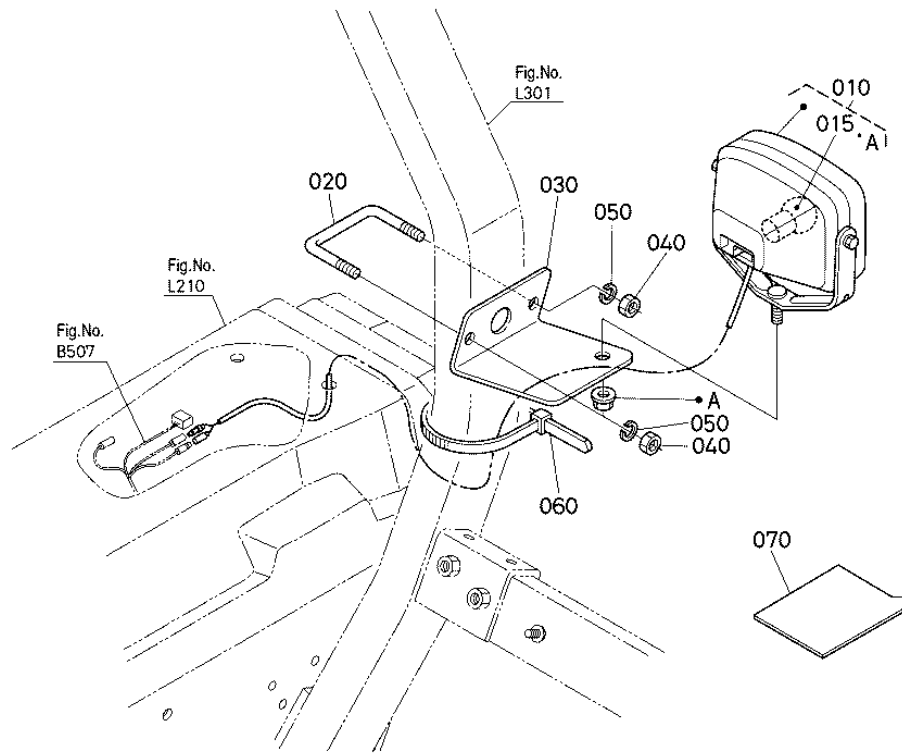
| Ref | Part Number | Part Name | Qty | IC | S/N | Lbs | Remarks |
|-----|-------------|--------------------|-----|----|-----|-------|-----------------|
| 010 | TC231-59710 | OPERATOR'S MANUAL | 1 | | | 0 | FRENCH |
| 010 | TC230-59712 | OPERATOR'S MANUAL | 1 | | | 0.462 | ENGLISH |
| 020 | 1G511-89815 | STATEMENT WARRANTY | 1 | | | 0.077 | |
| 030 | TA150-49160 | STUD WHEEL | 6 | | | 0.11 | FOR FRONT WHEEL |
| 040 | 35340-11390 | NUT | 12 | | | 0.066 | FOR FRONT WHEEL |
| 050 | 04512-60140 | WASHER SPRING | 12 | | | 0.017 | FOR FRONT WHEEL |
| 060 | 04013-60140 | WASHER PLAIN | 12 | | | 0.022 | FOR FRONT WHEEL |

ACCESSORIES AND SERVICE PARTS

| Ref | Part Number | Part Name | Qty | IC | S/N | Lbs | Remarks |
|------------|--------------------|----------------------|------------|-----------|------------|------------|----------------|
| 070 | 01517-51635 | STUD | 8 | | | 0.171 | FOR REAR WHEEL |
| 080 | 02076-50160 | NUT | 12 | | | 0.066 | FOR REAR WHEEL |
| 090 | 04512-60160 | WASHER SPRING | 12 | | | 0.022 | FOR REAR WHEEL |
| 100 | 01517-51635 | STUD | 4 | | | 0.171 | FOR REAR WHEEL |
| 110 | 35260-31852 | ASSY KEY MAIN SWITCH | 1 | | | 0.088 | |

WORKING LIGHT KIT (W/G No.M9551) [OPTION]

Figure Num 01T105



TC230-199-10

WORKING LIGHT KIT (W/G No.M9551) [OPTION]

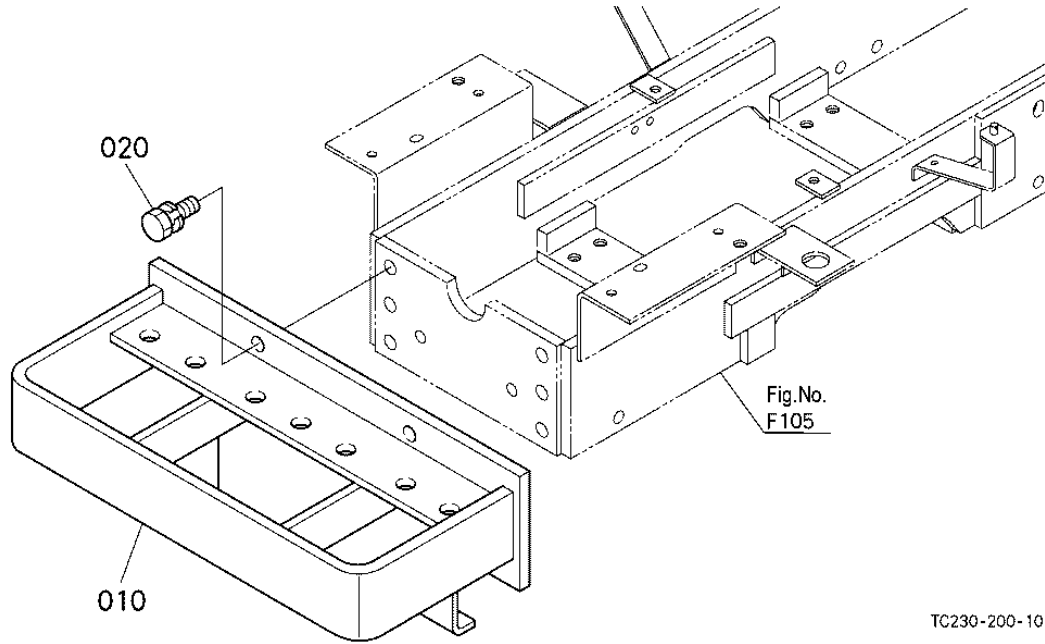
| Ref | Part Number | Part Name | Qty | IC | S/N | Lbs | Remarks |
|-----|-------------|--------------------|-----|----|-----|-------|---------|
| 010 | 3A011-75904 | ASSY LIGHT WORKING | 1 | | | 1.408 | |
| 015 | 3A011-75930 | BULB | 1 | | | 0.017 | 35W |
| 020 | 3A011-75922 | U-BOLT | 1 | | | 0.257 | |
| 030 | 3A012-75910 | STAY WORKING LIGHT | 1 | | | 1.408 | |
| 040 | 02176-50100 | NUT | 2 | | | 0.011 | |
| 050 | 04512-60100 | WASHER SPRING | 2 | | | 0.004 | |
| 060 | 32751-96300 | BAND WORK LIGHT | 1 | | | 0.011 | |

WORKING LIGHT KIT (W/G No.M9551) [OPTION]

| Ref | Part Number | Part Name | Qty | IC | S/N | Lbs | Remarks |
|-----|-------------|--------------------|-----|----|-----|-----|---------|
| 070 | 99999-99999 | MANUAL INSTRUCTION | 1 | | | 0 | |

FRONT BUMPER (W/G No.MX8068) [OPTION]

Figure Num 01T121



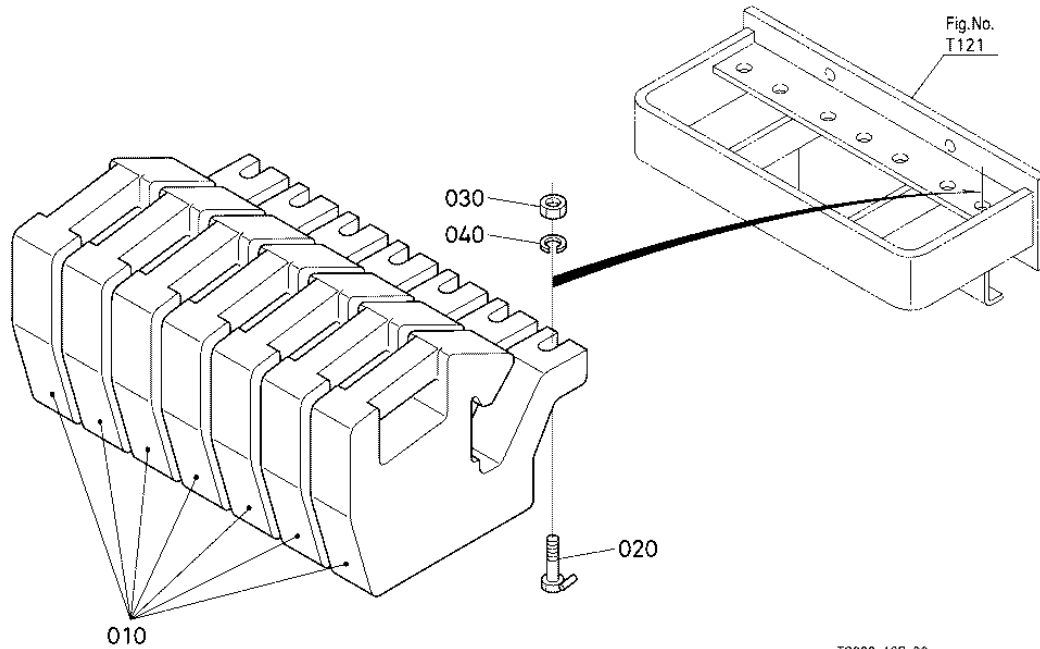
TC230-200-10

FRONT BUMPER (W/G No.MX8068) [OPTION]

| Ref | Part Number | Part Name | Qty | IC | S/N | Lbs | Remarks |
|-----|-------------|-----------|-----|----|-----|-------|---------|
| 010 | 32430-44880 | BUMPER | 1 | | | 26.51 | |
| 020 | 01133-51435 | BOLT | 4 | | | 0.002 | |

FRONT WEIGHT (W/G No.BL8060-1) [OPTION]

Figure Num 01T122



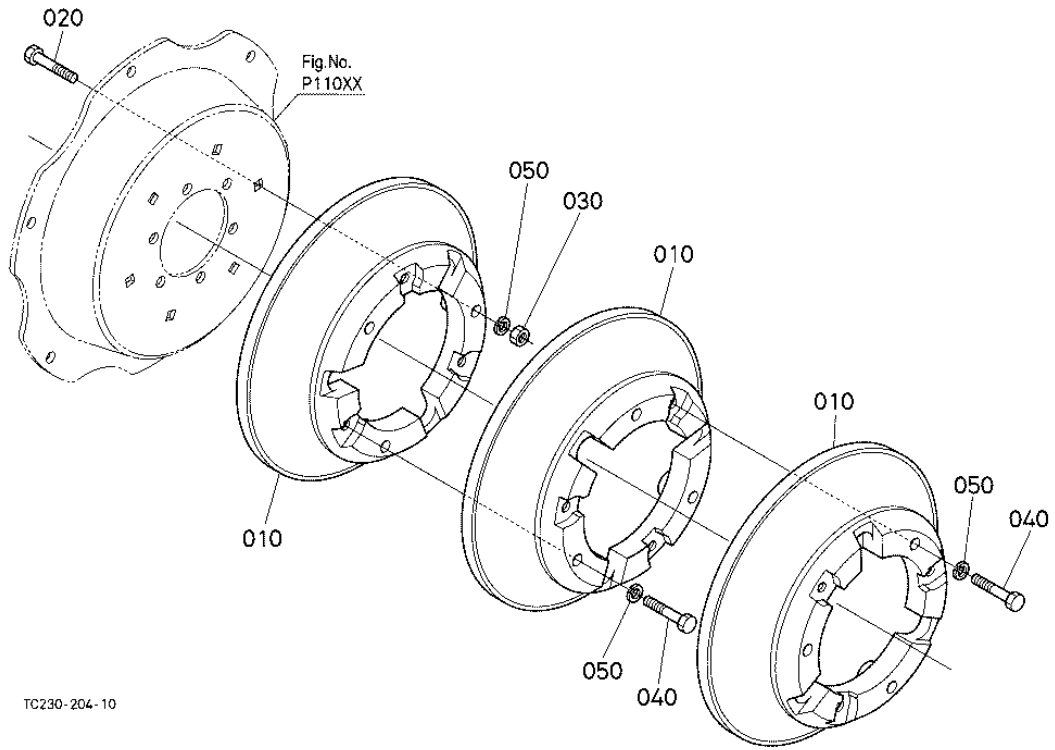
TC230-107-20

FRONT WEIGHT (W/G No.BL8060-1) [OPTION]

| Ref | Part Number | Part Name | Qty | IC | S/N | Lbs | Remarks |
|-----|-------------|-------------------|-----|----|-----|-------|---------|
| 010 | 96315-11620 | WEIGHT FRONT | 7 | | | 55 | 25kg |
| 020 | 96315-11630 | BOLT FRONT WEIGHT | 7 | | | 0.198 | |
| 030 | 02174-50140 | NUT | 7 | | | 0.030 | |
| 040 | 04512-60140 | WASHER SPRING | 7 | | | 0.017 | |

REAR WHEEL WEIGHT (W/G No.L8066) [OPTION]

Figure Num 01T123

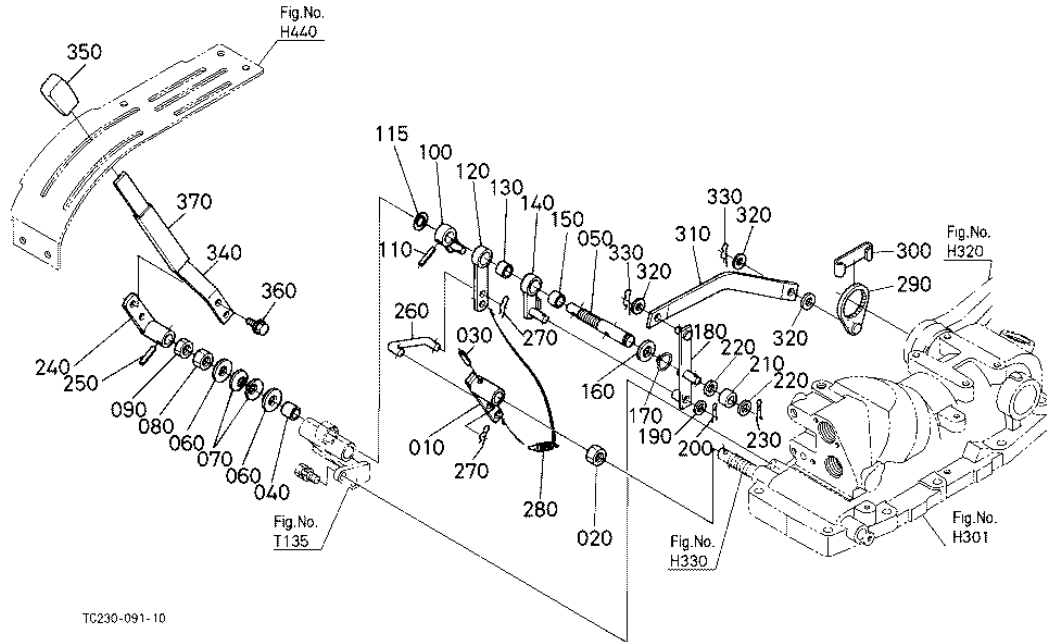


REAR WHEEL WEIGHT (W/G No.L8066) [OPTION]

| Ref | Part Number | Part Name | Qty | IC | S/N | Lbs | Remarks |
|-----|-------------|-------------------|-----|----|-----|-------|---------|
| 010 | 99281-15110 | WEIGHT REAR WHEEL | 6 | | | 61.6 | 28kg |
| 020 | 01173-51480 | BOLT | 6 | | | 0.226 | |
| 030 | 02174-50140 | NUT | 6 | | | 0.030 | |
| 040 | 01173-51475 | BOLT | 12 | | | 0.235 | |
| 050 | 04512-60140 | WASHER SPRING | 18 | | | 0.017 | |

POSITION CONTROL LEVER (WITH DRAFT) (W/G No.L8311A) [OPTION]

Figure Num 01T130



TC230-091-10

POSITION CONTROL LEVER (WITH DRAFT) (W/G No.L8311A) [OPTION]

| Ref | Part Number | Part Name | Qty | IC | S/N | Lbs | Remarks |
|-----|-------------|--------------|-----|----|-----|-------|---------|
| 010 | TA140-38310 | LINK CONTROL | 1 | | | 0.286 | |
| 020 | 02174-50140 | NUT | 1 | | | 0.030 | |
| 030 | 05411-00525 | PIN SPRING | 1 | | | 0.004 | |
| 040 | 08511-01615 | BUSH | 3 | | | 0.022 | |
| 050 | TA040-38122 | SHAFT DRAFT | 1 | | | 0.308 | |
| 060 | 04013-60140 | WASHER PLAIN | 2 | | | 0.022 | |
| 070 | 34260-36880 | SPRING PLATE | 2 | | | 0.013 | |

POSITION CONTROL LEVER (WITH DRAFT) (W/G No.L8311A) [OPTION]

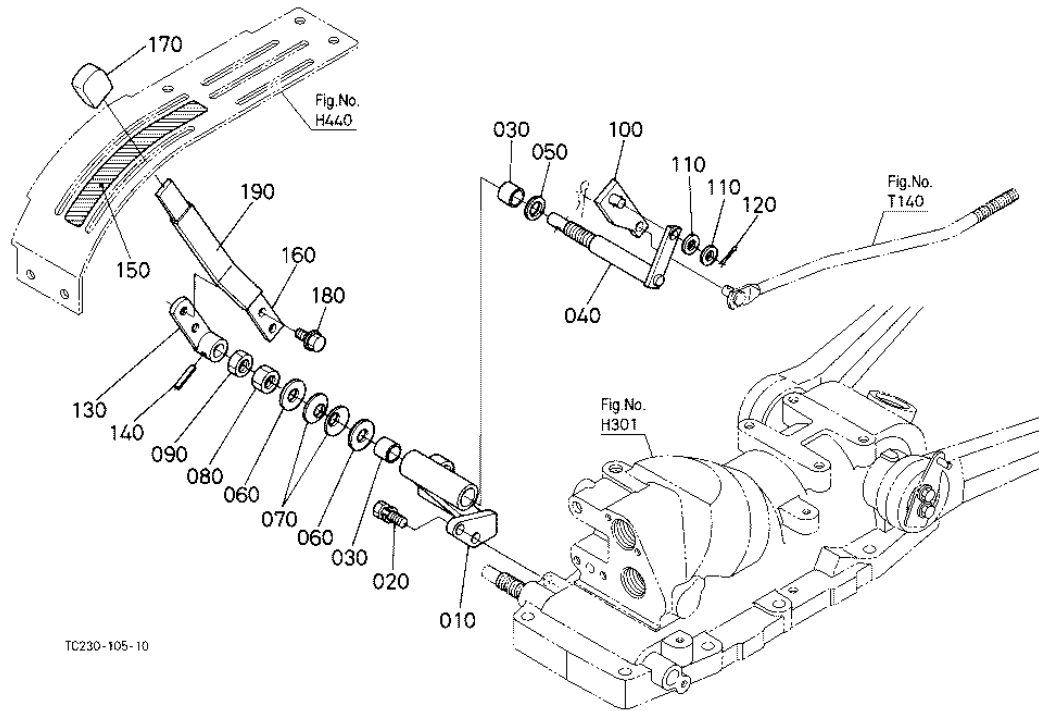
| Ref | Part Number | Part Name | Qty | IC | S/N | Lbs | Remarks |
|------------|--------------------|-------------------|------------|-----------|------------|------------|----------------|
| 080 | 02174-50140 | NUT | 1 | | | 0.030 | |
| 090 | 02172-50140 | NUT | 1 | | | 0.022 | |
| 100 | TA040-38142 | LINK DRAFT | 1 | | | 0.11 | |
| 110 | 05411-00525 | PIN SPRING | 1 | | | 0.004 | |
| 115 | 04714-00300 | GASKET | 1 | | | 0.004 | |
| 120 | TA040-38150 | LINK DRAFT | 1 | | | 0.143 | |
| 130 | 08511-01612 | BUSH | 1 | | | 0.011 | |
| 140 | TA040-38160 | LINK DRAFT | 1 | | | 0.154 | |
| 150 | 08511-01612 | BUSH | 1 | | | 0.011 | |
| 160 | 04011-60160 | WASHER PLAIN | 1 | | | 0.022 | |
| 170 | 04612-00160 | CIR CLIP EXTERNAL | 1 | | | 0.002 | |
| 180 | TA040-38170 | LINK DRAFT | 1 | | | 0.209 | |
| 190 | 04012-50080 | WASHER PLAIN | 1 | | | 0.002 | |
| 200 | 05511-50215 | PIN SPLIT | 1 | | | 0.002 | |
| 210 | TA040-38190 | COLLAR | 1 | | | 0.044 | |
| 220 | 04011-50100 | WASHER PLAIN | 2 | | | 0.004 | |
| 230 | 05511-50320 | PIN SPLIT | 1 | | | 0.004 | |
| 240 | TA040-38212 | LEVER POSITION | 1 | | | 0.286 | |
| 250 | 05411-00525 | PIN SPRING | 1 | | | 0.004 | |
| 260 | TA040-38322 | ROD CONTROL | 1 | | | 0.099 | |
| 270 | 05525-50800 | PIN SNAP | 2 | | | 0.002 | |
| 280 | TD060-38370 | SPRING DRAFT | 1 | | | 0.017 | |
| 290 | TA040-38262 | HOLDER | 1 | | | 0.132 | |
| 300 | TA040-38270 | STOPPER | 1 | | | 0.072 | |
| 310 | TA040-38282 | ROD DRAFT | 1 | | | 0.319 | |
| 320 | 04012-50080 | WASHER PLAIN | 3 | | | 0.002 | |

POSITION CONTROL LEVER (WITH DRAFT) (W/G No.L8311A) [OPTION]

| Ref | Part Number | Part Name | Qty | IC | S/N | Lbs | Remarks |
|------------|--------------------|------------------|------------|-----------|------------|------------|----------------|
| 330 | 05525-50800 | PIN SNAP | 2 | | | 0.002 | |
| 340 | TA040-38230 | LEVER POSITION | 1 | | | 0.396 | |
| 350 | 52300-32640 | GRIP LEVER | 1 | | | 0.088 | |
| 360 | 01754-50612 | BOLT FLANGE | 2 | | | 0.011 | |
| 370 | TA040-36132 | TUBE LEVER | 1 | | | 0.022 | |

DRAFT CONTROL LEVER (WITH DRAFT) (W/G No.L8311A) [OPTION]

Figure Num 01T135



TC230-105-10

DRAFT CONTROL LEVER (WITH DRAFT) (W/G No.L8311A) [OPTION]

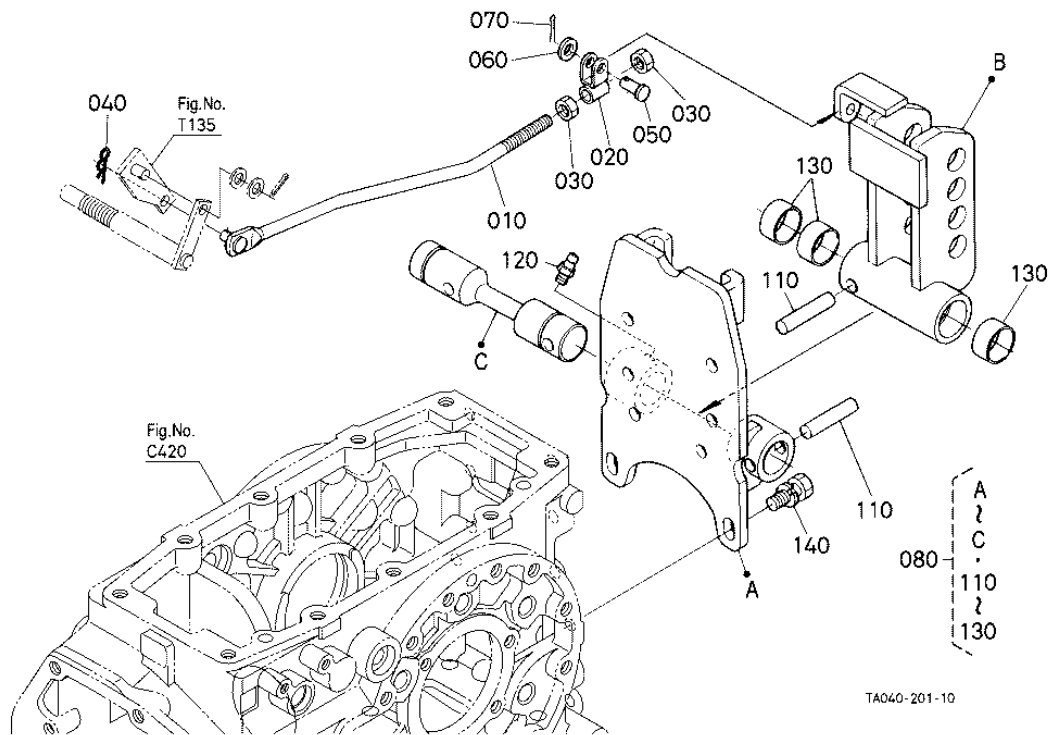
| Ref | Part Number | Part Name | Qty | IC | S/N | Lbs | Remarks |
|-----|-------------|--------------|-----|----|-----|-------|---------|
| 010 | TA040-38114 | STAY | 1 | | | 0.561 | |
| 020 | 01123-50822 | BOLT | 2 | | | 0.026 | |
| 030 | 08511-01615 | BUSH | 2 | | | 0.022 | |
| 040 | TA040-38132 | SHAFT DRAFT | 1 | | | 0.484 | |
| 050 | 04714-00300 | GASKET | 1 | | | 0.004 | |
| 060 | 04013-60140 | WASHER PLAIN | 2 | | | 0.022 | |
| 070 | 34260-36880 | SPRING PLATE | 2 | | | 0.013 | |

DRAFT CONTROL LEVER (WITH DRAFT) (W/G No.L8311A) [OPTION]

| Ref | Part Number | Part Name | Qty | IC | S/N | Lbs | Remarks |
|------------|--------------------|------------------|------------|-----------|------------|------------|----------------|
| 080 | 02174-50140 | NUT | 1 | | | 0.030 | |
| 090 | 02172-50140 | NUT | 1 | | | 0.022 | |
| 100 | TA040-38182 | LEVER CAM | 1 | | | 0.187 | |
| 110 | 04012-50080 | WASHER PLAIN | 2 | | | 0.002 | |
| 120 | 05511-50215 | PIN SPLIT | 1 | | | 0.002 | |
| 130 | TA040-38222 | LEVER DRAFT | 1 | | | 0.209 | |
| 140 | 05411-00525 | PIN SPRING | 1 | | | 0.004 | |
| 150 | TA040-49520 | MARK DRAFT | 1 | | | 0.006 | |
| 160 | TA040-38240 | LEVER DRAFT | 1 | | | 0.352 | |
| 170 | 37410-43560 | GRIP LEVER | 1 | | | 0.055 | |
| 180 | 01754-50612 | BOLT FLANGE | 2 | | | 0.011 | |
| 190 | TA040-36132 | TUBE LEVER | 1 | | | 0.022 | |

TOP LINK HOLDER (WITH DRAFT) (W/G No.L8311A) [OPTION]

Figure Num 01T140



TOP LINK HOLDER (WITH DRAFT) (W/G No.L8311A) [OPTION]

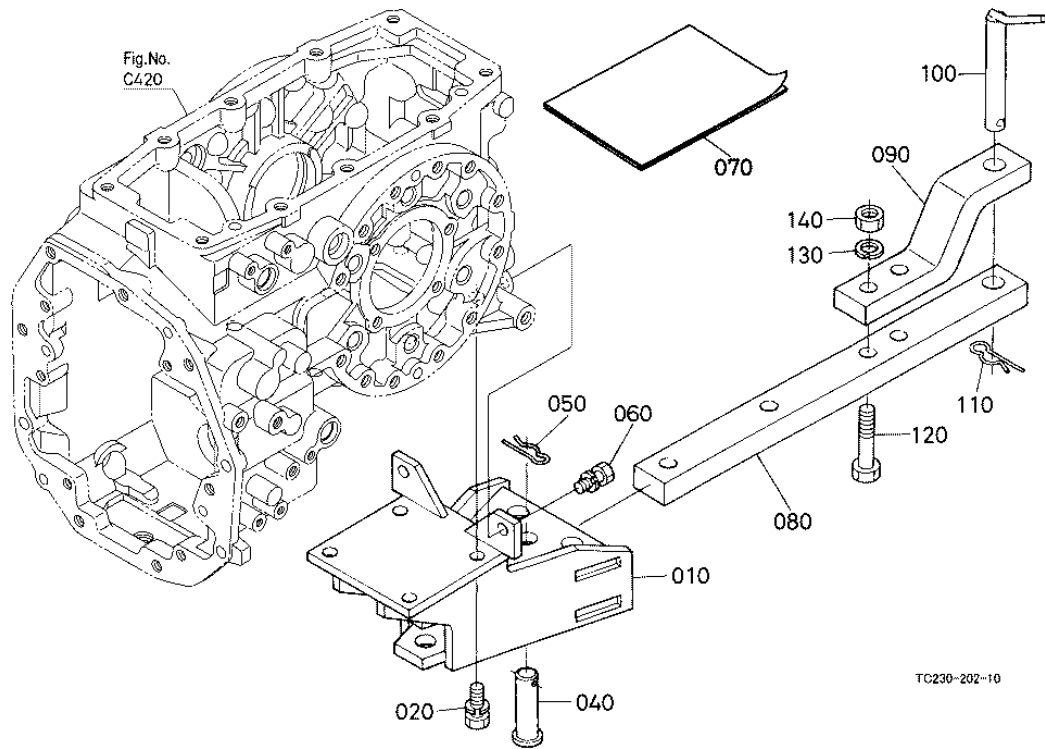
| Ref | Part Number | Part Name | Qty | IC | S/N | Lbs | Remarks |
|-----|-------------|--------------|-----|----|-----|-------|---------|
| 010 | TA040-38360 | ROD DRAFT | 1 | | | 0.422 | |
| 020 | TA040-38350 | HOLDER | 1 | | | 0.072 | |
| 030 | 02116-50100 | NUT | 2 | | | 0.008 | |
| 040 | 05525-50800 | PIN SNAP | 1 | | | 0.002 | |
| 050 | 05122-50818 | PIN JOINT | 1 | | | 0.017 | |
| 060 | 04012-50080 | WASHER PLAIN | 1 | | | 0.002 | |
| 070 | 05511-50218 | PIN SPLIT | 1 | | | 0.002 | |

TOP LINK HOLDER (WITH DRAFT) (W/G No.L8311A) [OPTION]

| Ref | Part Number | Part Name | Qty | IC | S/N | Lbs | Remarks |
|------------|--------------------|----------------------|------------|-----------|------------|------------|----------------|
| 080 | 35080-41400 | COMP HOLDER TOP LINK | 1 | | | 15.07 | |
| 110 | 37300-41440 | PIN STRAIGHT | 2 | | | 0.121 | |
| 120 | 06613-10010 | NIPPLE GREASE | 2 | | | 0.013 | |
| 130 | 37300-41450 | BUSH | 3 | | | 0.066 | |
| 140 | 01133-51230 | BOLT | 6 | | | 0.088 | |

SWINGING DRAWBAR/CLEVIS DRAWBAR [OPTION]

Figure Num 01T145



SWINGING DRAWBAR/CLEVIS DRAWBAR [OPTION]

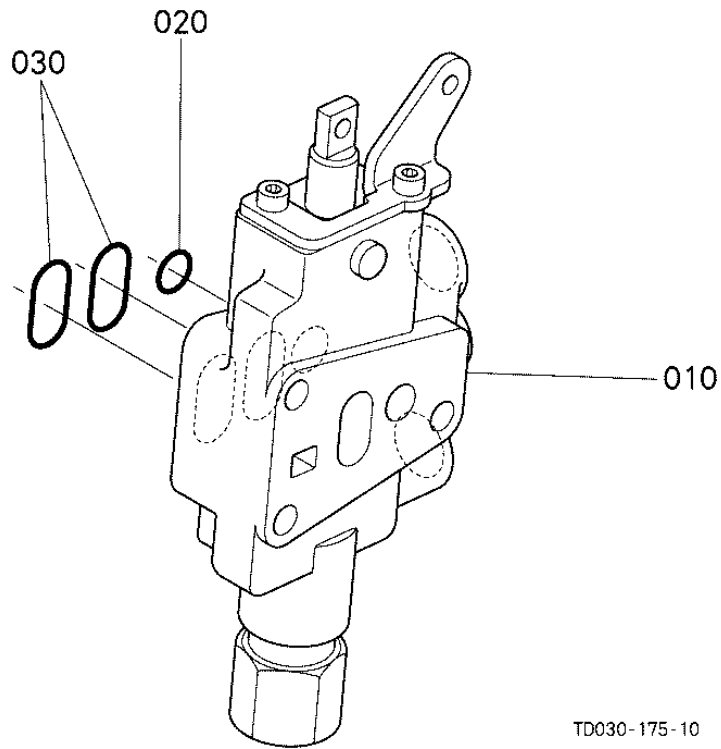
| Ref | Part Number | Part Name | Qty | IC | S/N | Lbs | Remarks |
|-----|-------------|---------------------|-----|----|-----|-------|---------------|
| 010 | TA040-29832 | FRAME SWING DRAWBAR | 1 | | | 4.62 | W/G No.L8416 |
| 020 | 01138-51430 | BOLT | 4 | | | 0.154 | W/G No.L8416 |
| 040 | 05122-52070 | PIN JOINT | 3 | | | 0.404 | W/G No.L8416 |
| 050 | 05515-51600 | PIN SNAP | 3 | | | 0.015 | W/G No.L8416 |
| 060 | 01133-51230 | BOLT | 2 | | | 0.088 | W/G No.L8416 |
| 070 | TA040-98520 | MANUAL ASSEMBLY | 1 | | | 0.011 | W/G No.L8416 |
| 080 | 35080-29710 | DRAWBAR | 1 | | | 15.4 | W/G No.L9496G |

SWINGING DRAWBAR/CLEVIS DRAWBAR [OPTION]

| Ref | Part Number | Part Name | Qty | IC | S/N | Lbs | Remarks |
|-----|-------------|---------------|-----|----|-----|-------|---------------|
| 090 | 35080-29720 | HITCH DRAWBAR | 1 | | | 6.16 | W/G No.L9496G |
| 100 | 99533-78250 | PIN | 1 | | | 1.32 | W/G No.L9496G |
| 110 | 70515-16330 | PIN SPRING | 1 | | | 0.066 | W/G No.L9496G |
| 120 | 01173-51680 | BOLT | 2 | | | 0.308 | W/G No.L9496G |
| 130 | 04512-60160 | WASHER SPRING | 2 | | | 0.022 | W/G No.L9496G |
| 140 | 02174-50160 | NUT | 2 | | | 0.048 | W/G No.L9496G |

AUXILIARY CONTROL VALVE (W/G No.L8303) [OPTION]

Figure Num 01T14901



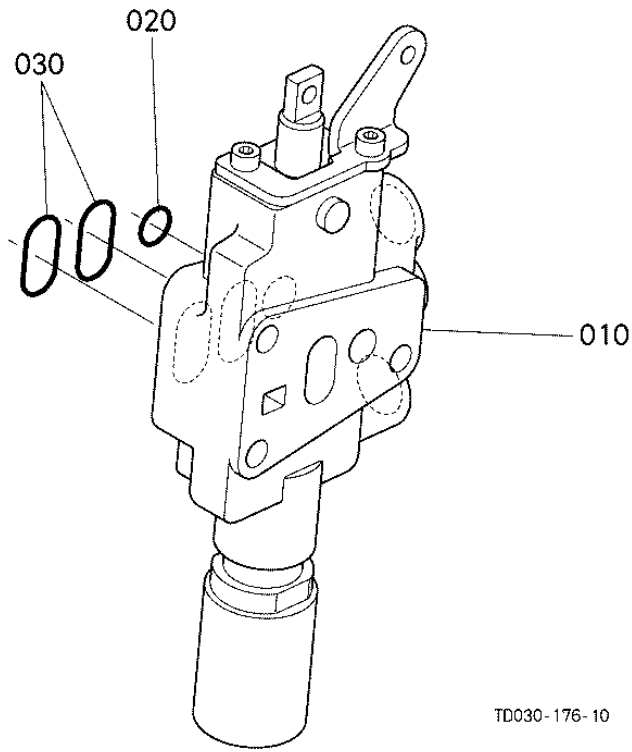
TD030-175-10

AUXILIARY CONTROL VALVE (W/G No.L8303) [OPTION]

| Ref | Part Number | Part Name | Qty | IC | S/N | Lbs | Remarks |
|-----|-------------|------------|-----|----|-----|-------|---------|
| 010 | YW089-00100 | ASSY VALVE | 1 | | | 3.696 | |
| 020 | 04817-00100 | O RING | 1 | | | 0.002 | |
| 030 | 04817-05200 | O RING | 2 | | | 0.002 | |

AUXILIARY CONTROL VALVE (FLOATING) (W/G No.L8304) [OPTION]

Figure Num 01T14902



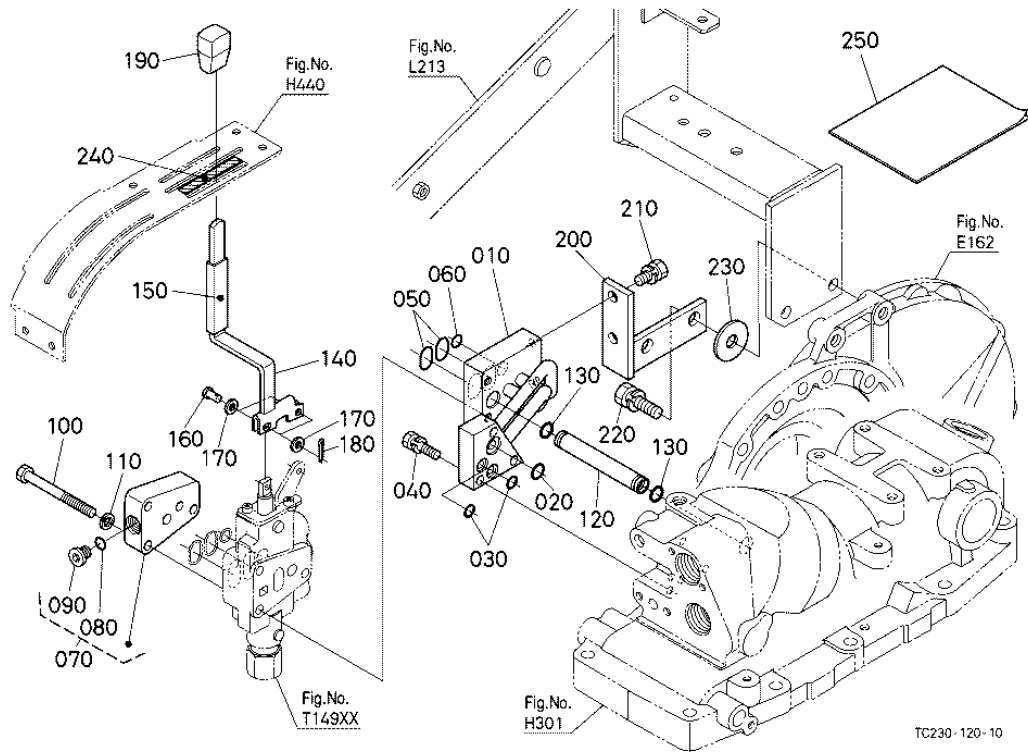
TD030-176-10

AUXILIARY CONTROL VALVE (FLOATING) (W/G No.L8304) [OPTION]

| Ref | Part Number | Part Name | Qty | IC | S/N | Lbs | Remarks |
|-----|-------------|------------|-----|----|-----|-------|---------|
| 010 | YW077-00100 | ASSY VALVE | 1 | | | 4.202 | |
| 020 | 04817-00100 | O RING | 1 | | | 0.002 | |
| 030 | 04817-05200 | O RING | 2 | | | 0.002 | |

AUXILIARY CONTROL VALVE LEVER (1ST) (W/G No.L8561) [OPTION]

Figure Num 01T15001



AUXILIARY CONTROL VALVE LEVER (1ST) (W/G No.L8561) [OPTION]

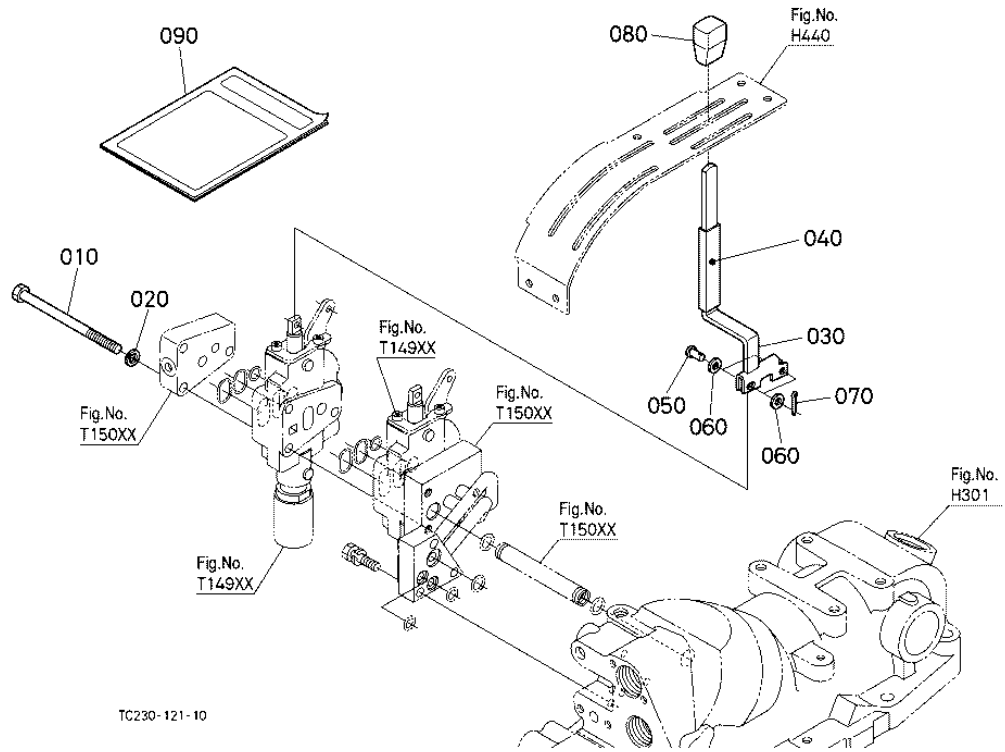
| Ref | Part Number | Part Name | Qty | IC | S/N | Lbs | Remarks |
|-----|-------------|----------------------|-----|----|-----|-------|---------|
| 010 | TC250-96140 | ASSY PIPE CONT.VALVE | 1 | | | 0 | |
| 020 | 04817-00140 | O RING | 1 | | | 0.002 | |
| 030 | 04817-00100 | O RING | 2 | | | 0.002 | |
| 040 | 01123-50835 | BOLT | 3 | | | 0.044 | |
| 050 | 04817-05200 | O RING | 2 | | | 0.002 | |
| 060 | 04817-00100 | O RING | 1 | | | 0.002 | |
| 070 | YW165-00100 | ASSY COVER VALVE | 1 | | | 1.012 | |

AUXILIARY CONTROL VALVE LEVER (1ST) (W/G No.L8561) [OPTION]

| Ref | Part Number | Part Name | Qty | IC | S/N | Lbs | Remarks |
|------------|--------------------|----------------------|------------|-----------|------------|------------|----------------|
| 080 | 04817-00080 | O RING | 1 | | | 0.002 | |
| 090 | 5H550-19830 | PLUG | 1 | | | 0.011 | |
| 100 | 01153-50875 | BOLT | 3 | | | 0.061 | |
| 110 | 04512-60080 | WASHER SPRING | 3 | | | 0.004 | |
| 120 | TA040-96150 | PIPE RETURN | 1 | | | 0.099 | |
| 130 | 04817-00110 | O RING | 2 | | | 0.002 | |
| 140 | TC230-96220 | LEVER AUX.CON.VALVE | 1 | | | 0.286 | |
| 150 | TD060-96250 | TUBE LEVER | 1 | | | 0.011 | |
| 160 | 68021-32790 | PIN | 2 | | | 0.008 | |
| 170 | 04012-50050 | WASHER PLAIN | 4 | | | 0.002 | |
| 180 | 05511-51210 | PIN SPLIT | 2 | | | 0.002 | |
| 190 | TD060-96260 | GRIP AUX.CONTR.LEVER | 1 | | | 0.028 | |
| 200 | TA040-96160 | STAY AUX.CONT.VALVE | 1 | | | 0.55 | |
| 210 | 01123-50820 | BOLT | 2 | | | 0.024 | |
| 220 | 01133-51235 | BOLT | 2 | | | 0.094 | |
| 230 | 04015-60120 | WASHER PLAIN | 2 | | | 0.048 | |
| 240 | TA040-49612 | MARK AUX.CONT.VALVE | 1 | | | 0.002 | |
| 250 | 99999-99999 | MANUAL INSTRUCTION | 1 | | | 0 | |

AUXILIARY CONTROL VALVE LEVER (2ND) (W/G No.L8562) [OPTION]

Figure Num 01T15002



TC230-121-10

AUXILIARY CONTROL VALVE LEVER (2ND) (W/G No.L8562) [OPTION]

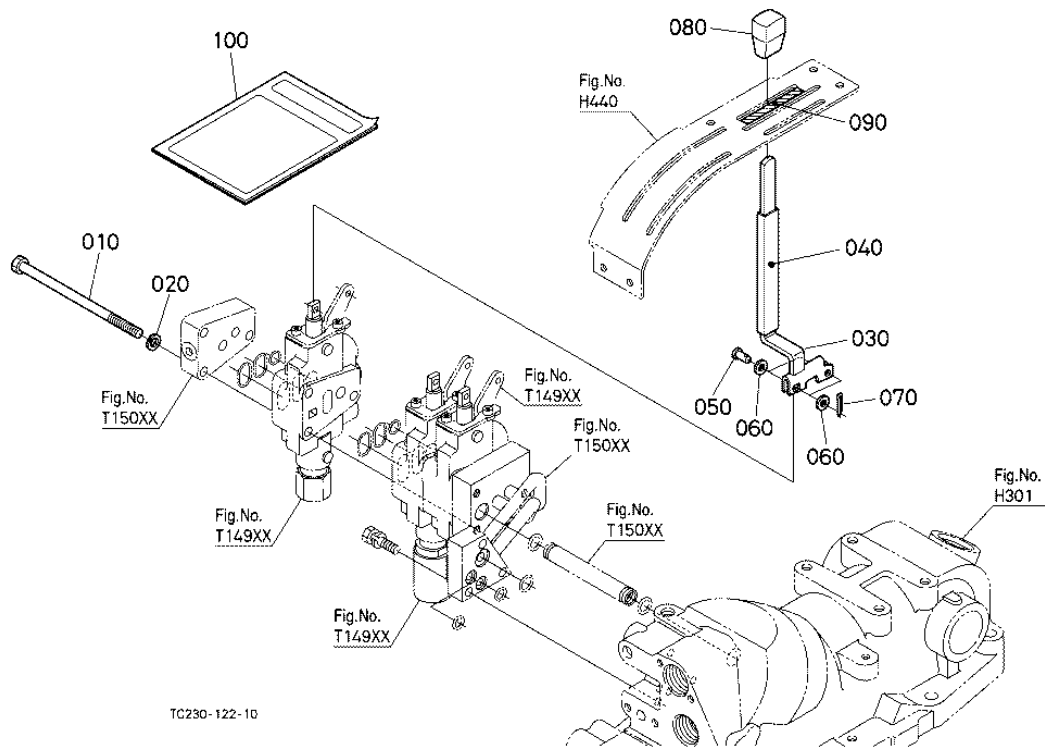
| Ref | Part Number | Part Name | Qty | IC | S/N | Lbs | Remarks |
|-----|-------------|---------------------|-----|----|-----|-------|---------|
| 010 | 01153-50802 | BOLT | 3 | | | 0.088 | |
| 020 | 04512-60080 | WASHER SPRING | 3 | | | 0.004 | |
| 030 | TC230-96230 | LEVER AUX.CON.VALVE | 1 | | | 0 | |
| 040 | TD060-96250 | TUBE LEVER | 1 | | | 0.011 | |
| 050 | 68021-32790 | PIN | 2 | | | 0.008 | |
| 060 | 04012-50050 | WASHER PLAIN | 4 | | | 0.002 | |
| 070 | 05511-51210 | PIN SPLIT | 2 | | | 0.002 | |

AUXILIARY CONTROL VALVE LEVER (2ND) (W/G No.L8562) [OPTION]

| Ref | Part Number | Part Name | Qty | IC | S/N | Lbs | Remarks |
|------------|--------------------|----------------------|------------|-----------|------------|------------|----------------|
| 080 | TD060-96260 | GRIP AUX.CONTR.LEVER | 1 | | | 0.028 | |
| 090 | 99999-99999 | MANUAL INSTRUCTION | 1 | | | 0 | |

AUXILIARY CONTROL VALVE LEVER (3RD) (W/G No.L8563) [OPTION]

Figure Num 01T15003



AUXILIARY CONTROL VALVE LEVER (3RD) (W/G No.L8563) [OPTION]

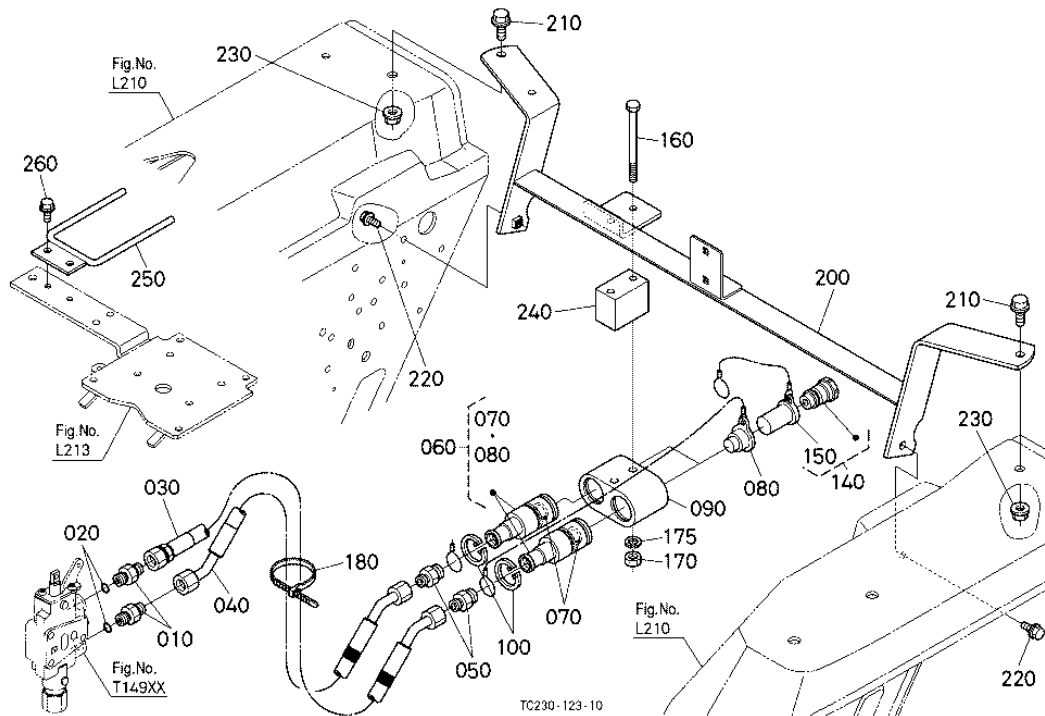
| Ref | Part Number | Part Name | Qty | IC | S/N | Lbs | Remarks |
|-----|-------------|---------------------|-----|----|-----|-------|---------|
| 010 | 55411-15140 | BOLT | 3 | | | 0.11 | |
| 020 | 04512-60080 | WASHER SPRING | 3 | | | 0.004 | |
| 030 | TC230-96240 | LEVER AUX.CON.VALVE | 1 | | | 0 | |
| 040 | TD060-96250 | TUBE LEVER | 1 | | | 0.011 | |
| 050 | 68021-32790 | PIN | 2 | | | 0.008 | |
| 060 | 04012-50050 | WASHER PLAIN | 4 | | | 0.002 | |
| 070 | 05511-51210 | PIN SPLIT | 2 | | | 0.002 | |

AUXILIARY CONTROL VALVE LEVER (3RD) (W/G No.L8563) [OPTION]

| Ref | Part Number | Part Name | Qty | IC | S/N | Lbs | Remarks |
|------------|--------------------|----------------------|------------|-----------|------------|------------|----------------|
| 080 | TD060-96260 | GRIP AUX.CONTR.LEVER | 1 | | | 0.028 | |
| 090 | TA040-49630 | MARK AUX.CONT.VALVE | 1 | | | 0.002 | |
| 100 | 99999-99999 | MANUAL INSTRUCTION | 1 | | | 0 | |

AUXILIARY CONTROL VALVE COUPLER (1ST) (W/G No.L8561) [OPTION]

Figure Num 01T15501



AUXILIARY CONTROL VALVE COUPLER (1ST) (W/G No.L8561) [OPTION]

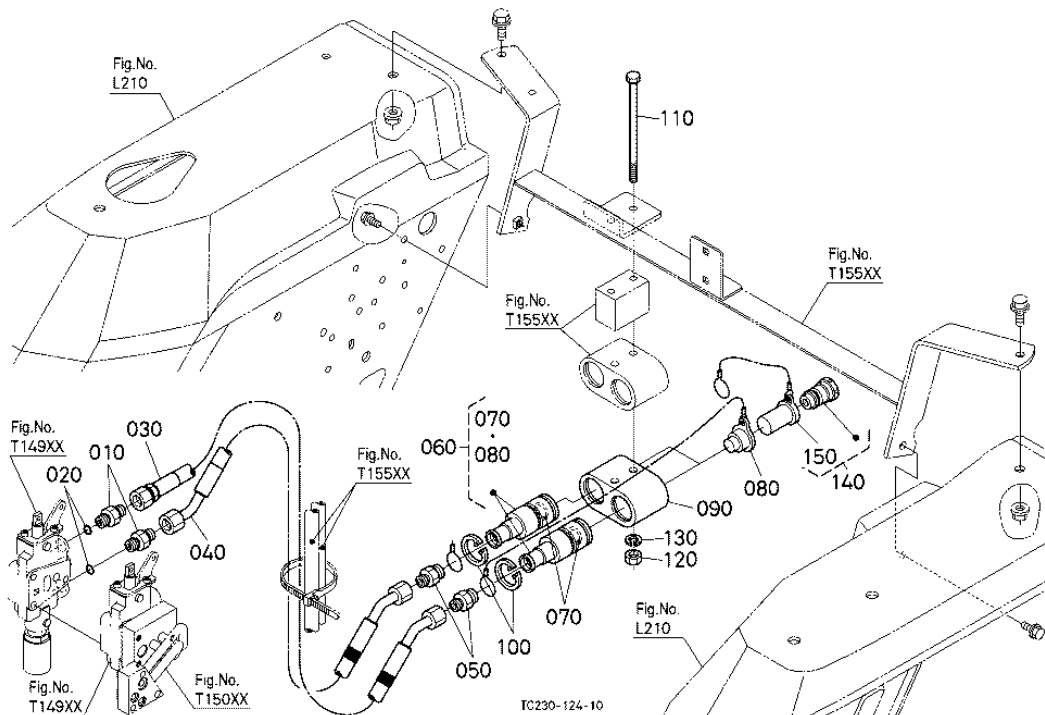
| Ref | Part Number | Part Name | Qty | IC | S/N | Lbs | Remarks |
|-----|-------------|---------------------|-----|----|-----|-------|---------|
| 010 | TD170-61130 | JOINT AUX.CONT. | 2 | | | 0 | |
| 020 | 04817-00140 | O RING | 2 | | | 0.002 | |
| 030 | TC230-96410 | HOSE AUX.CONT.VALVE | 1 | | | 0.704 | RED |
| 040 | TC230-96420 | HOSE AUX.CONT.VALVE | 1 | | | 0.781 | BLUE |
| 050 | 99063-93410 | ADAPTER | 2 | | | 0.154 | |
| 060 | 35861-82032 | ASSY COUPLER FEMALE | 2 | | | 0.704 | |
| 070 | 35861-94510 | O RING | 2 | | | 0.004 | |

AUXILIARY CONTROL VALVE COUPLER (1ST) (W/G No.L8561) [OPTION]

| Ref | Part Number | Part Name | Qty | IC | S/N | Lbs | Remarks |
|------------|--------------------|--------------------|------------|-----------|------------|------------|----------------|
| 080 | 35861-94520 | PLUG COUPLER | 2 | | | 0.011 | |
| 090 | 35893-82610 | SUPPORT COUPLER | 1 | | | 1.606 | |
| 100 | 04611-00380 | CIR CLIP INTERNAL | 2 | | | 0.008 | |
| 140 | 35861-82190 | ASSY COUPLER MALE | 2 | | | 0.189 | |
| 150 | 35861-94530 | CAP | 2 | | | 0.015 | |
| 160 | 01153-50802 | BOLT | 2 | | | 0.088 | |
| 170 | 02156-50080 | NUT | 2 | | | 0.008 | |
| 175 | 04512-60080 | WASHER SPRING | 2 | | | 0.004 | |
| 180 | 55311-41260 | BAND CORD | 1 | | | 0.015 | |
| 200 | TC230-99440 | SUPPORT FENDER | 1 | | | 0 | |
| 210 | 01774-51025 | BOLT FLANGE | 2 | | | 0.044 | |
| 220 | 01754-50816 | BOLT FLANGE | 2 | | | 0.024 | |
| 230 | 02771-60100 | NUT FLANGE | 2 | | | 0.022 | |
| 240 | TC230-99460 | SPACER | 1 | | | 1.606 | |
| 250 | TC230-96500 | SUPPORT HOSE CLAMP | 1 | | | 0.462 | |
| 260 | 01754-50816 | BOLT FLANGE | 2 | | | 0.024 | |

AUXILIARY CONTROL VALVE COUPLER (2ND) (W/G No.L8562) [OPTION]

Figure Num 01T15502



AUXILIARY CONTROL VALVE COUPLER (2ND) (W/G No.L8562) [OPTION]

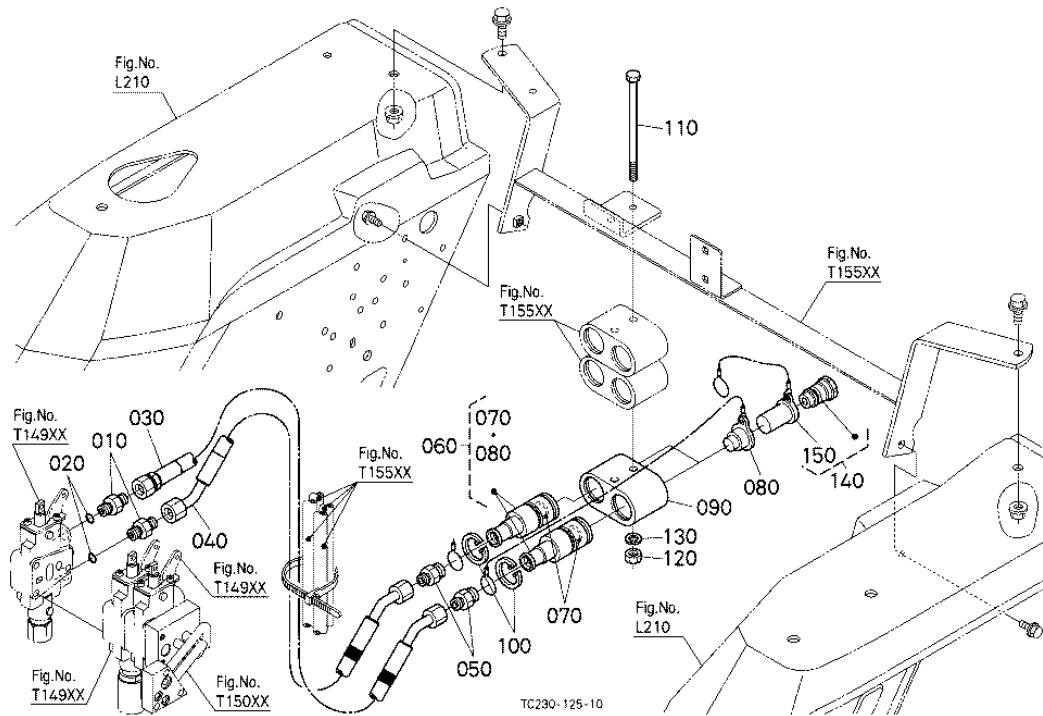
| Ref | Part Number | Part Name | Qty | IC | S/N | Lbs | Remarks |
|-----|-------------|---------------------|-----|----|-----|-------|---------|
| 010 | TD170-61130 | JOINT AUX.CONT. | 2 | | | 0 | |
| 020 | 04817-00140 | O RING | 2 | | | 0.002 | |
| 030 | TC230-96430 | HOSE AUX.CONT.VALVE | 1 | | | 0 | YELLOW |
| 040 | TC230-96440 | HOSE AUX.CONT.VALVE | 1 | | | 0 | GREEN |
| 050 | 99063-93410 | ADAPTER | 2 | | | 0.154 | |
| 060 | 35861-82032 | ASSY COUPLER FEMALE | 2 | | | 0.704 | |
| 070 | 35861-94510 | O RING | 2 | | | 0.004 | |

AUXILIARY CONTROL VALVE COUPLER (2ND) (W/G No.L8562) [OPTION]

| Ref | Part Number | Part Name | Qty | IC | S/N | Lbs | Remarks |
|------------|--------------------|-------------------|------------|-----------|------------|------------|----------------|
| 080 | 35861-94520 | PLUG COUPLER | 2 | | | 0.011 | |
| 090 | 35893-82610 | SUPPORT COUPLER | 1 | | | 1.606 | |
| 100 | 04611-00380 | CIR CLIP INTERNAL | 2 | | | 0.008 | |
| 110 | 35340-99540 | BOLT | 2 | | | 0.132 | |
| 120 | 02156-50080 | NUT | 2 | | | 0.008 | |
| 130 | 04512-60080 | WASHER SPRING | 2 | | | 0.004 | |
| 140 | 35861-82190 | ASSY COUPLER MALE | 2 | | | 0.189 | |
| 150 | 35861-94530 | CAP | 2 | | | 0.015 | |

AUXILIARY CONTROL VALVE COUPLER (3RD) (W/G No.L8563) [OPTION]

Figure Num 01T15503



AUXILIARY CONTROL VALVE COUPLER (3RD) (W/G No.L8563) [OPTION]

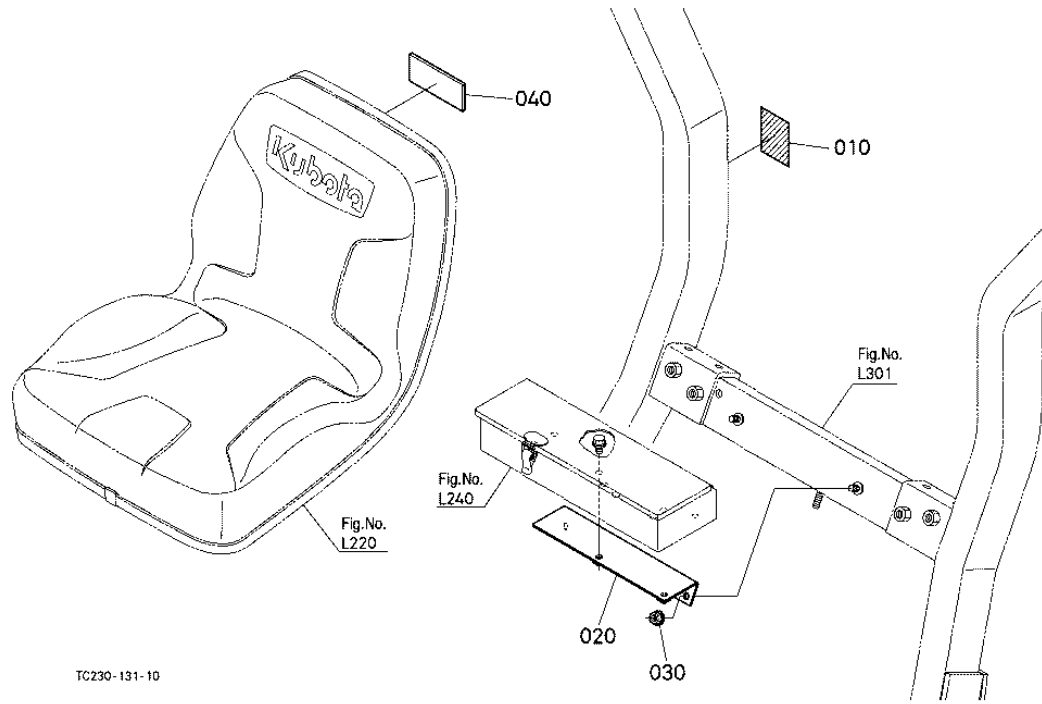
| Ref | Part Number | Part Name | Qty | IC | S/N | Lbs | Remarks |
|-----|-------------|---------------------|-----|----|-----|-------|---------|
| 010 | TD170-61130 | JOINT AUX.CONT. | 2 | | | 0 | |
| 020 | 04817-00140 | O RING | 2 | | | 0.002 | |
| 030 | TC230-96450 | HOSE AUX.CONT.VALVE | 1 | | | 0 | BROWN |
| 040 | TC230-96460 | HOSE AUX.CONT.VALVE | 1 | | | 0 | WHITE |
| 050 | 99063-93410 | ADAPTER | 2 | | | 0.154 | |
| 060 | 35861-82032 | ASSY COUPLER FEMALE | 2 | | | 0.704 | |
| 070 | 35861-94510 | O RING | 2 | | | 0.004 | |

AUXILIARY CONTROL VALVE COUPLER (3RD) (W/G No.L8563) [OPTION]

| Ref | Part Number | Part Name | Qty | IC | S/N | Lbs | Remarks |
|------------|--------------------|-------------------|------------|-----------|------------|------------|----------------|
| 080 | 35861-94520 | PLUG COUPLER | 2 | | | 0.011 | |
| 090 | 35893-82610 | SUPPORT COUPLER | 1 | | | 1.606 | |
| 100 | 04611-00380 | CIR CLIP INTERNAL | 2 | | | 0.008 | |
| 110 | 35340-99540 | BOLT | 2 | | | 0.132 | |
| 120 | 02156-50080 | NUT | 2 | | | 0.008 | |
| 130 | 04512-60080 | WASHER SPRING | 2 | | | 0.004 | |
| 140 | 35861-82190 | ASSY COUPLER MALE | 2 | | | 0.189 | |
| 150 | 35861-94530 | CAP | 2 | | | 0.015 | |

AUXILIARY CONTROL VALVE KIT ACCESORIES (W/G No.L8561) [OPTION]

Figure Num 01T157



TC230-131-10

AUXILIARY CONTROL VALVE KIT ACCESORIES (W/G No.L8561) [OPTION]

| Ref | Part Number | Part Name | Qty | IC | S/N | Lbs | Remarks |
|-----|-------------|----------------------|-----|----|-----|-------|---------|
| 010 | TA040-49640 | MARK COUPLER | 1 | | | 0.004 | FOR 3RD |
| 010 | TA040-49620 | MARK COUPLER | 1 | | | 0.002 | FOR 2ND |
| 010 | TA040-49670 | MARK COUPLER | 1 | | | 0.002 | FOR 1ST |
| 020 | TC230-99450 | STAY TOOL BOX | 1 | | | 0 | |
| 030 | 02751-50080 | NUT FLANGE | 2 | | | 0.013 | |
| 040 | TD060-40060 | CUSHION FRONT PILLAR | 1 | | | 0.088 | |