

Instructions for Parts Books

The heading at the top of the page will be the same for the picture of the parts as it is for the page with the part numbers.

Definition of column headings on part number pages:

REF.No → The number referring to the part on the picture page of the parts book.

Part No. → The number assigned to this part at the time of printing the parts book.

Part Name → Description of part.

Q'ty → Quantity of part used on that page.

S.No. → Serial number range of the equipment that this part will fit.

>= Your serial number should be greater than or equal to the number shown.

<= Your serial number should be lesser than or equal to the serial number shown.

I/C → Interchangeability of part shown.

= The part shown will work for the older and later serial number.

NI The part shown is not interchangeable with the other serial number.

Remarks → Notes about this particular part. Sometimes this may say except [FR] or [CA]

Note about Country Codes:

The parts books we use in the United States of America may also contain information about a part that would be

different in another country. It is important that you are aware of the country codes in some instances.

Symbol Country

A United States of America

CA Canada

FR France

GR Greece

PO Portugal

AU Australia

If the remarks column says for example EXCEPT [FR] this part works in all countries except France.

That means it will work here in the USA.

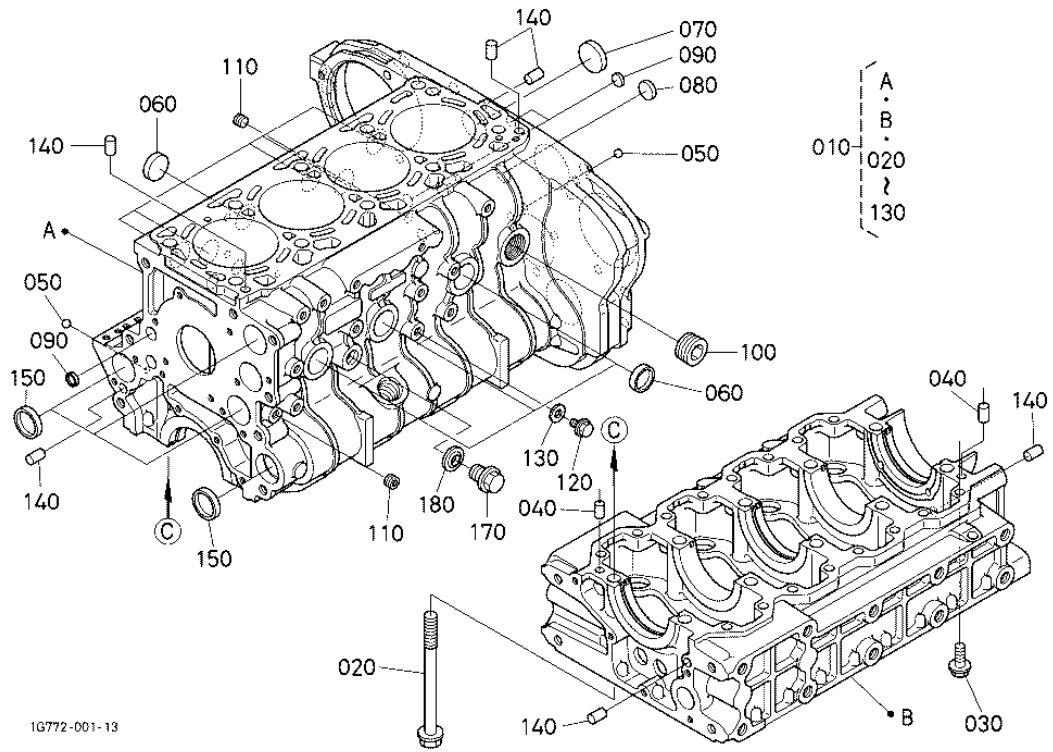
M5040HDC

Figure Num M5040HDC



CRANKCASE [OLD TYPE] ## S.No.;<=8S0030

Figure Num 013000



CRANKCASE [OLD TYPE]

Ref	Part Number	Part Name	Qty	IC	S/N	Lbs	Remarks
010	1G774-01020	ASSY CRANKCASE	1	>>	>=7U0001	0	
010	1G772-01020	ASSY CRANKCASE	1		<=7TZ999	242	
020	1G772-03450	BOLT	10			0.374	
030	01774-51040	BOLT FLANGE	16		<=7TZ999	0.055	
030	1G772-91022	BOLT FLANGE	16	NI	>=7U0001	0.066	
040	05012-01016	PIN STRAIGHT	2			0.022	
050	07715-03209	BALL	2			0.004	

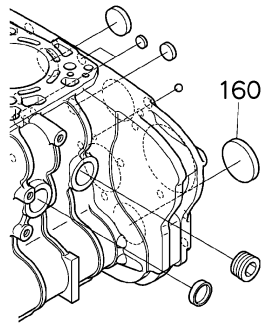
CRANKCASE [OLD TYPE]

Ref	Part Number	Part Name	Qty	IC	S/N	Lbs	Remarks
060	15321-96260	CAP SEALING	9			0.030	
070	15221-03490	CAP SEALING	1			0.044	
080	16851-96270	CAP SEALING	1			0.011	
090	06311-85016	CAP SEALING	3			0.006	
100	16683-96020	PLUG	1			0.154	
110	15521-96020	PLUG	2			0.006	
120	15221-33610	PLUG	1			0.019	
130	15021-33660	GASKET	1			0.002	
140	05012-01016	PIN STRAIGHT	6			0.022	
150	15221-03490	CAP SEALING	4			0.044	
170	06311-55030	PLUG	1			0.11	
180	04724-00170	GASKET	1			0.011	

CRANKCASE [OLD TYPE] ## S.No.;<=8S0030

Figure Num 013000

OLD PARTS



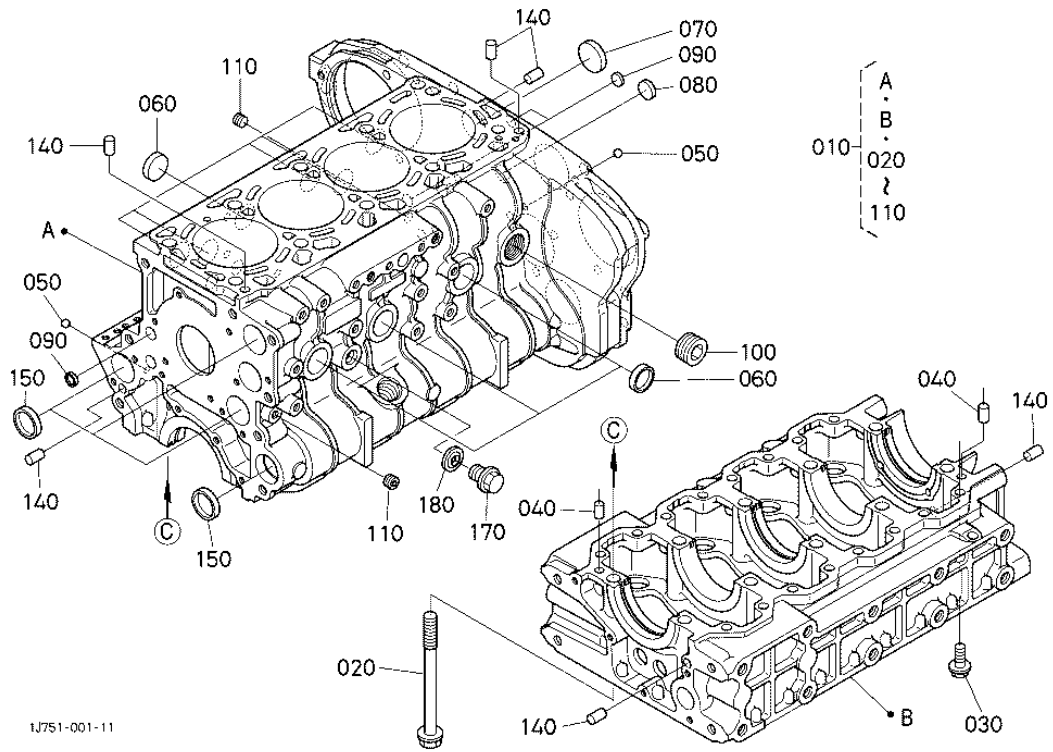
1G772-804-10

CRANKCASE [OLD TYPE]

Ref	Part Number	Part Name	Qty	IC	S/N	Lbs	Remarks
160	15481-96270	CAP SEALING	1		<=6S0947	0.121	

CRANKCASE [NEW TYPE]

Figure Num 01300001



1J751-001-11

CRANKCASE [NEW TYPE]

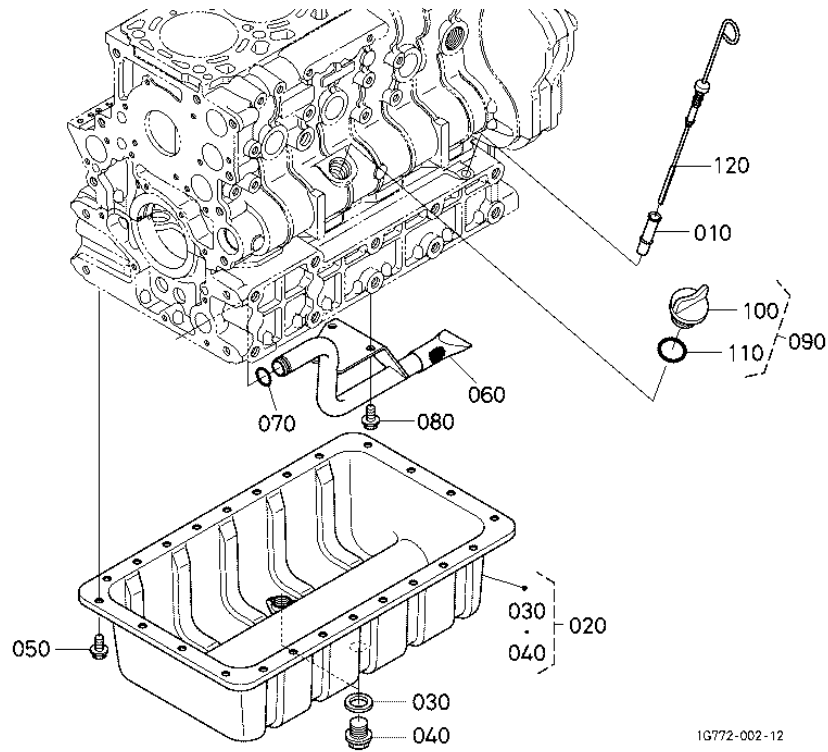
Ref	Part Number	Part Name	Qty	IC	S/N	Lbs	Remarks
010	1J751-01020	ASSY CRANKCASE	1			191.4	
020	1G772-03450	BOLT	10			0.374	
030	1G772-91022	BOLT FLANGE	16			0.066	
040	05012-01016	PIN STRAIGHT	2			0.022	
050	07715-03209	BALL	2			0.004	
060	15321-96260	CAP SEALING	9			0.030	
070	15221-03490	CAP SEALING	1			0.044	

CRANKCASE [NEW TYPE]

Ref	Part Number	Part Name	Qty	IC	S/N	Lbs	Remarks
080	16851-96270	CAP SEALING	1			0.011	
090	06311-85016	CAP SEALING	3			0.006	
100	16683-96020	PLUG	1			0.154	
110	15521-96020	PLUG	2			0.006	
140	05012-01016	PIN STRAIGHT	6			0.022	
150	15221-03490	CAP SEALING	4			0.044	
170	06311-55030	PLUG	1			0.11	
180	04724-00170	GASKET	1			0.011	

OIL PAN [OLD TYPE] ## S.No.;<=8S0030

Figure Num 013010



1G772-002-12

OIL PAN [OLD TYPE]

Ref	Part Number	Part Name	Qty	IC	S/N	Lbs	Remarks
010	16809-36420	GUIDE OIL GAUGE	1			0.061	
020	1G772-01660	KIT OIL PAN	1			8.096	
030	16265-96670	GASKET	2			0.002	
040	15707-33750	PLUG DRAIN	2			0.11	
050	01755-50816	BOLT FLANGE	24			0.286	
060	1G772-32114	FILTER OIL	1	>>	>=8Q0001	1.122	
060	1G772-32110	FILTER OIL	1		<=8N1300	1.122	

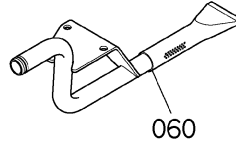
OIL PAN [OLD TYPE]

Ref	Part Number	Part Name	Qty	IC	S/N	Lbs	Remarks
070	04817-00200	O RING	1			0.024	
080	01755-50816	BOLT FLANGE	2			0.286	
090	1C010-33080	ASSY PLUG O/FILLER	1			0.039	
100	E9151-33140	PLUG OIL FILLER	1			0.037	
110	04817-50300	O RING	1			0.002	
120	1G772-36410	GAUGE OIL	1			0.044	

OIL PAN [OLD TYPE] ## S.No.;<=8S0030

Figure Num 013010

OLD PARTS



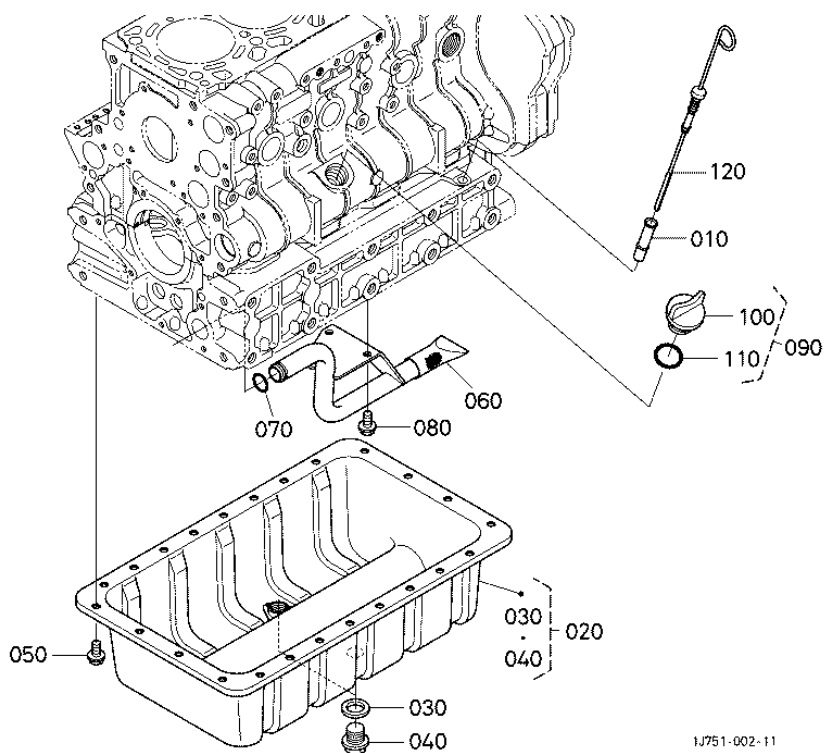
1J751-801-10

OIL PAN [OLD TYPE]

Ref	Part Number	Part Name	Qty	IC	S/N	Lbs	Remarks
060	1G772-32114	FILTER OIL	1	>>	>=8Q0001	1.122	
060	1G772-32110	FILTER OIL	1		<=8N1300	1.122	

OIL PAN [NEW TYPE]

Figure Num 01301001



1J751-002-11

OIL PAN [NEW TYPE]

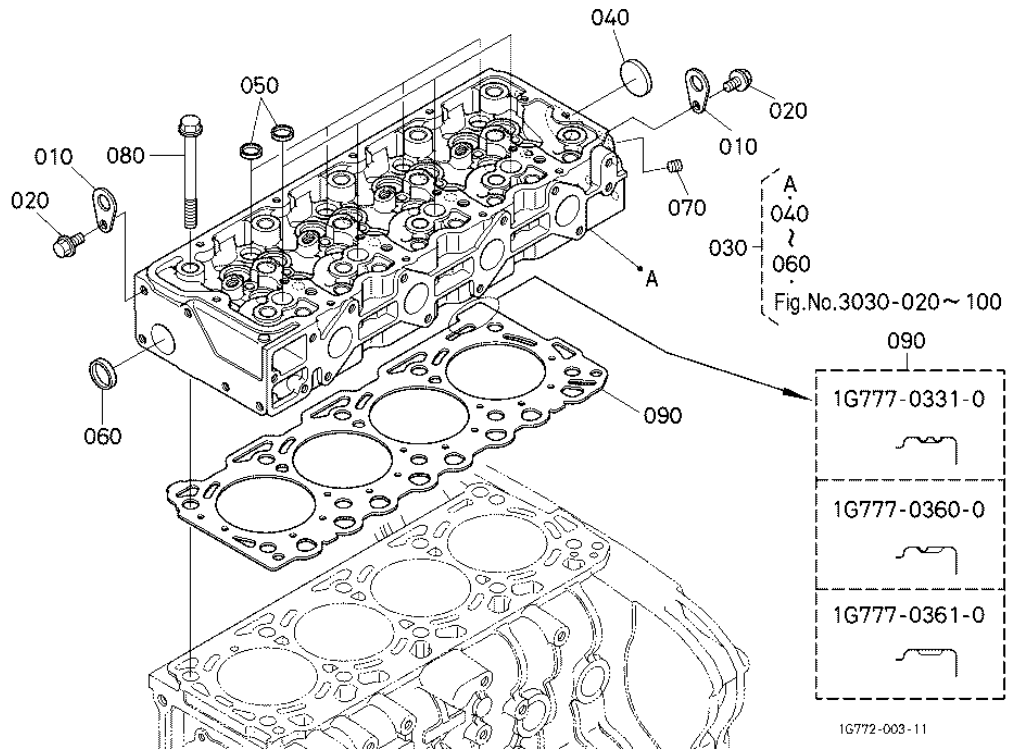
Ref	Part Number	Part Name	Qty	IC	S/N	Lbs	Remarks
010	16809-36420	GUIDE OIL GAUGE	1			0.061	
020	1G772-01660	KIT OIL PAN	1			8.096	
030	16265-96670	GASKET	2			0.002	
040	15707-33750	PLUG DRAIN	2			0.11	
050	01755-50816	BOLT FLANGE	24			0.286	
060	1G772-32114	FILTER OIL	1			1.122	
070	04817-00200	O RING	1			0.024	

OIL PAN [NEW TYPE]

Ref	Part Number	Part Name	Qty	IC	S/N	Lbs	Remarks
080	01755-50816	BOLT FLANGE	2			0.286	
090	1C010-33080	ASSY PLUG O/FILLER	1			0.039	
100	E9151-33140	PLUG OIL FILLER	1			0.037	
110	04817-50300	O RING	1			0.002	
120	1G772-36410	GAUGE OIL	1			0.044	

CYLINDER HEAD [OLD TYPE] ## S.No.;<=8S0030

Figure Num 013020



CYLINDER HEAD [OLD TYPE]

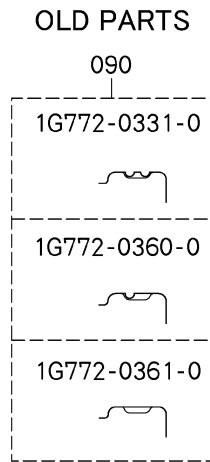
Ref	Part Number	Part Name	Qty	IC	S/N	Lbs	Remarks
010	15221-01750	HOOK ENGINE	2			0.088	
020	01754-50816	BOLT FLANGE	2			0.024	
030	1G772-03020	ASSY CYLINDER HEAD	1			55	
040	15221-03490	CAP SEALING	1			0.044	
050	16851-96270	CAP SEALING	8			0.011	
060	15321-96260	CAP SEALING	1			0.030	
070	15521-96020	PLUG	1			0.006	

CYLINDER HEAD [OLD TYPE]

Ref	Part Number	Part Name	Qty	IC	S/N	Lbs	Remarks
080	1G772-03450	BOLT	10			0.374	
090	1G777-03610	GASKET CYLINDER HEAD	1	>>	>=8A0001	0.536	SUITABILITY/ NOT NOT
090	1G772-03610	GASKET CYLINDER HEAD	1		<=7Y1119	0.418	SUITABILITY/ NOT NOT
090	1G777-03600	GASKET CYLINDER HEAD	1	>>	>=8A0001	0.468	SUITABILITY/ 1 NOTCH
090	1G772-03600	GASKET CYLINDER HEAD	1		<=7Y1119	0.418	SUITABILITY/ 1 NOTCH
090	1G777-03310	GASKET CYLINDER HEAD	1	>>	>=8A0001	0.462	STD/ 2 NOTCH
090	1G772-03310	GASKET CYLINDER HEAD	1		<=7Y1119	0.418	STD/ 2 NOTCH

CYLINDER HEAD [OLD TYPE] ## S.No.;<=8S0030

Figure Num 013020



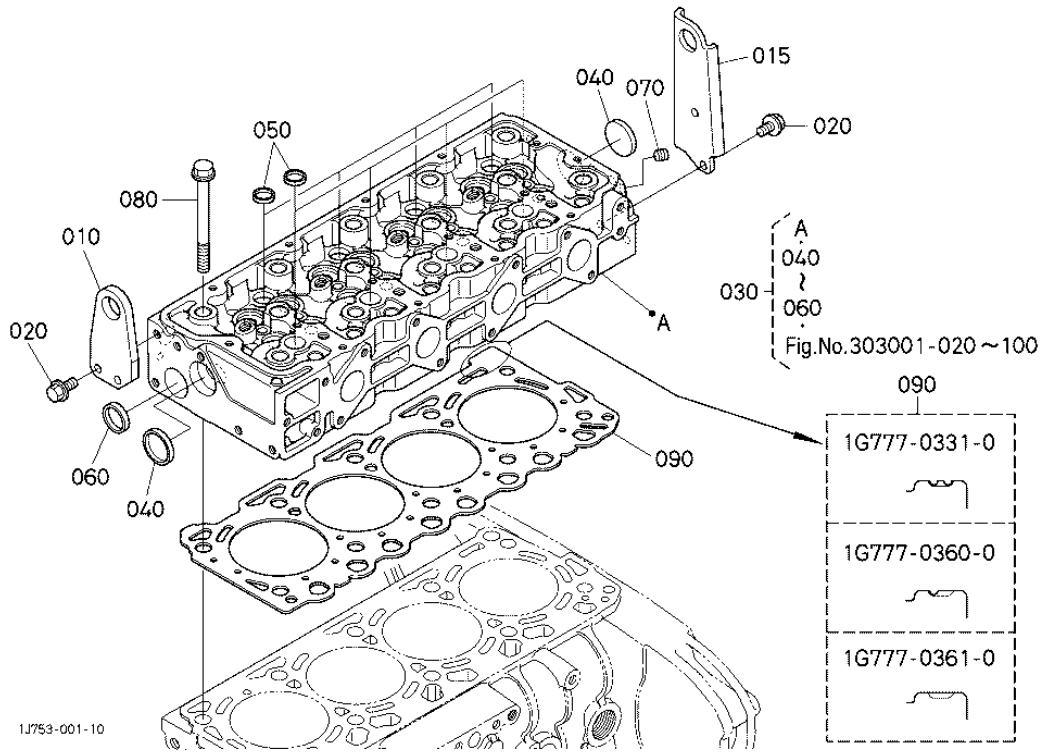
1G772-809-10

CYLINDER HEAD [OLD TYPE]

Ref	Part Number	Part Name	Qty	IC	S/N	Lbs	Remarks
090	1G777-03610	GASKET CYLINDER HEAD	1	>>	>=8A0001	0.536	SUITABILITY/ NOT NOT
090	1G772-03610	GASKET CYLINDER HEAD	1		<=7Y1119	0.418	SUITABILITY/ NOT NOT
090	1G777-03600	GASKET CYLINDER HEAD	1	>>	>=8A0001	0.468	SUITABILITY/ 1 NOTCH
090	1G772-03600	GASKET CYLINDER HEAD	1		<=7Y1119	0.418	SUITABILITY/ 1 NOTCH
090	1G777-03310	GASKET CYLINDER HEAD	1	>>	>=8A0001	0.462	STD/ 2 NOTCH
090	1G772-03310	GASKET CYLINDER HEAD	1		<=7Y1119	0.418	STD/ 2 NOTCH

CYLINDER HEAD [NEW TYPE]

Figure Num 01302001



CYLINDER HEAD [NEW TYPE]

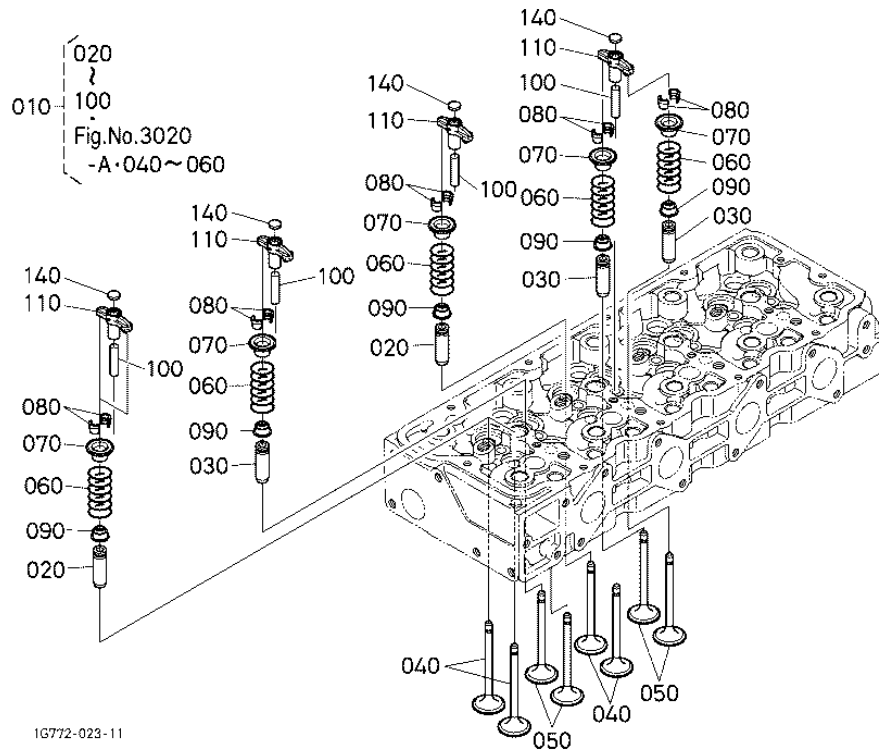
Ref	Part Number	Part Name	Qty	IC	S/N	Lbs	Remarks
010	1G777-01744	HOOK ENGINE	1			0.66	
015	1G777-01754	HOOK ENGINE	1			1.21	
020	01754-50816	BOLT FLANGE	4			0.024	
030	1G777-03020	ASSY CYLINDER HEAD	1			0	
040	15221-03490	CAP SEALING	2			0.044	
050	16851-96270	CAP SEALING	8			0.011	
060	15321-96260	CAP SEALING	1			0.030	

CYLINDER HEAD [NEW TYPE]

Ref	Part Number	Part Name	Qty	IC	S/N	Lbs	Remarks
070	15521-96020	PLUG	1			0.006	
080	1G772-03450	BOLT	10			0.374	
090	1G777-03610	GASKET CYLINDER HEAD	1			0.536	SUITABILITY/ NOT NOT
090	1G777-03600	GASKET CYLINDER HEAD	1			0.468	SUITABILITY/ 1 NOTCH
090	1G777-03310	GASKET CYLINDER HEAD	1			0.462	STD/ 2 NOTCH

INLET VALVE AND EXHAUST VALVE [OLD TYPE] ## S.No.;<=8S0030

Figure Num 013030



INLET VALVE AND EXHAUST VALVE [OLD TYPE]

Ref	Part Number	Part Name	Qty	IC	S/N	Lbs	Remarks
010	1G772-03020	ASSY CYLINDER HEAD	1			55	
020	16261-13540	GUIDE INLET VALVE	8			0.044	
030	16261-13560	GUIDE EXHAUST VALVE	8			0.041	
040	1G772-13110	VALVE INLET	8			0.121	
050	1G772-13120	VALVE EXHAUST	8			0.11	
060	1C010-13240	SPRING VALVE	16			0.044	
070	16261-13330	RETAINER SPRING	16			0.035	

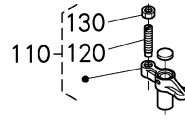
INLET VALVE AND EXHAUST VALVE [OLD TYPE]

Ref	Part Number	Part Name	Qty	IC	S/N	Lbs	Remarks
080	15261-13980	COLLET VALVE SPRING	16			0	SET
090	1C010-13150	SEAL VALVE STEM	16			0.004	
100	1C010-13482	SHAFT VALVE	8			0.002	
110	1C020-13463	ARM VALVE BRIGE	8	>>	>=8E0001	0.136	
110	1C020-13460	ASSY ARM VALVE BRIGE	8		<=8C1101	0.136	
140	1C010-13490	PAD	8			0.006	

INLET VALVE AND EXHAUST VALVE [OLD TYPE] ## S.No.;<=8S0030

Figure Num 013030

OLD PARTS



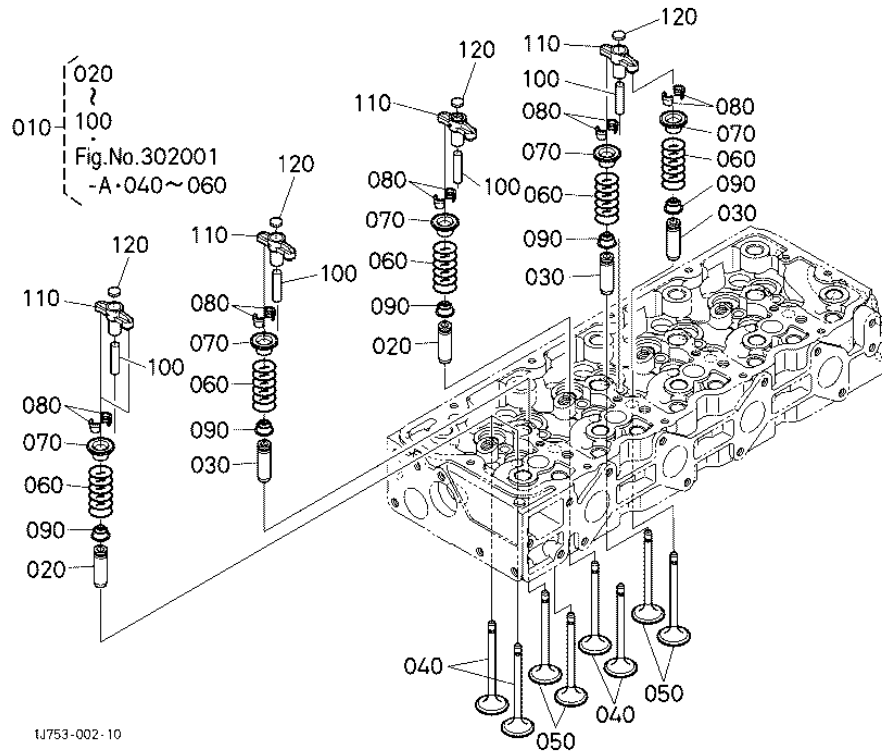
1G774-800-10

INLET VALVE AND EXHAUST VALVE [OLD TYPE]

Ref	Part Number	Part Name	Qty	IC	S/N	Lbs	Remarks
110	1C020-13463	ARM VALVE BRIGE	8	>>	>=8E0001	0.136	
110	1C020-13460	ASSY ARM VALVE BRIGE	8		<=8C1101	0.136	
120	1C010-14280	SCREW ADJUSTMENT	8		<=8C1101	0.011	
130	16241-14240	NUT	8		<=8C1101	0.008	

INLET VALVE AND EXHAUST VALVE [NEW TYPE]

Figure Num 01303001



INLET VALVE AND EXHAUST VALVE [NEW TYPE]

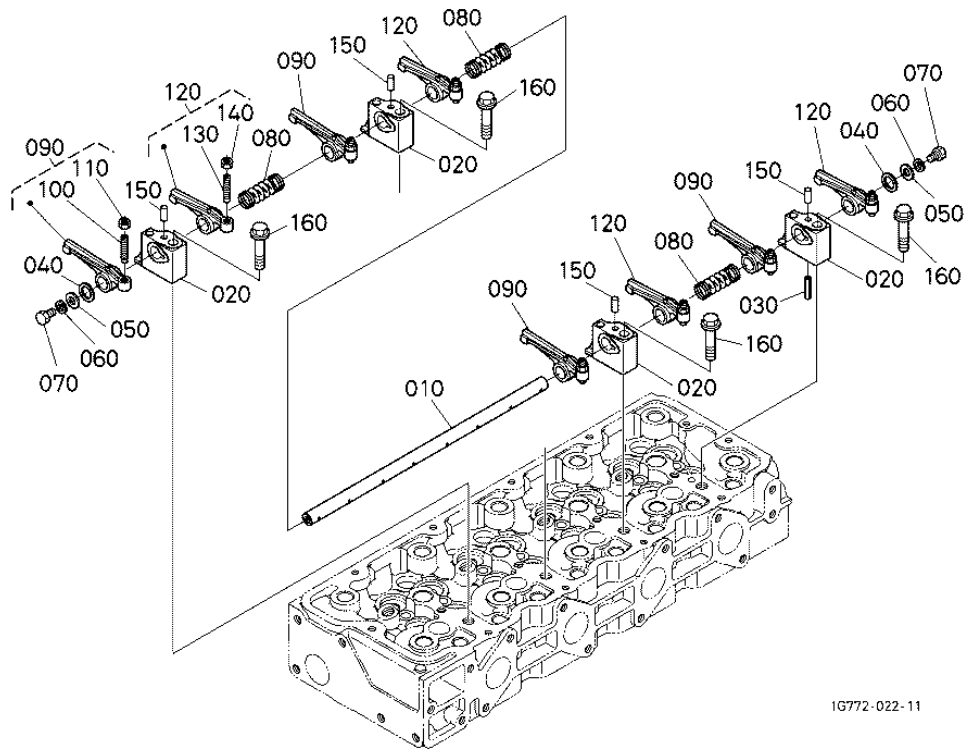
Ref	Part Number	Part Name	Qty	IC	S/N	Lbs	Remarks
010	1G777-03020	ASSY CYLINDER HEAD	1			0	
020	16261-13540	GUIDE INLET VALVE	8			0.044	
030	16261-13560	GUIDE EXHAUST VALVE	8			0.041	
040	1G772-13110	VALVE INLET	8			0.121	
050	1G772-13120	VALVE EXHAUST	8			0.11	
060	1C010-13240	SPRING VALVE	16			0.044	
070	16261-13330	RETAINER SPRING	16			0.035	

INLET VALVE AND EXHAUST VALVE [NEW TYPE]

Ref	Part Number	Part Name	Qty	IC	S/N	Lbs	Remarks
080	15261-13980	COLLET VALVE SPRING	16			0	SET
090	1C010-13150	SEAL VALVE STEM	16			0.004	
100	1C010-13482	SHAFT VALVE	8			0.002	
110	1C020-13463	ARM VALVE BRIGE	8			0.136	
120	1C010-13490	PAD	8			0.006	

ROCKER ARM SHAFT [OLD TYPE] ## S.No.;<=8S0030

Figure Num 013040



1G772-022-11

ROCKER ARM SHAFT [OLD TYPE]

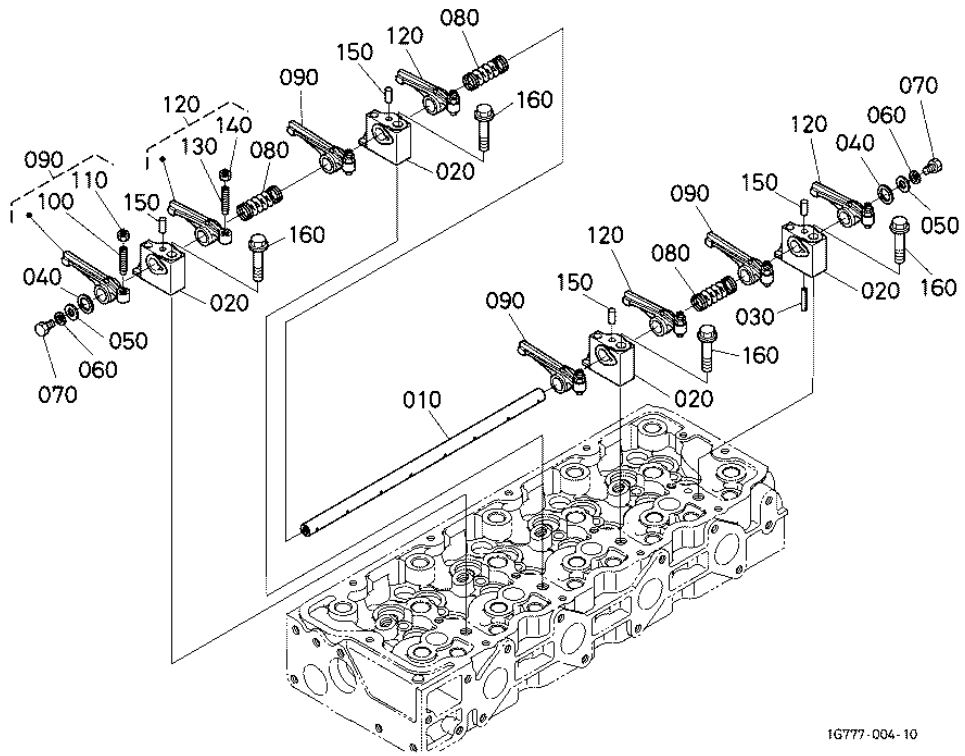
Ref	Part Number	Part Name	Qty	IC	S/N	Lbs	Remarks
010	1G772-14260	SHAFT ROCKER ARM	1			0.902	
020	1G772-14350	BRACKET ROCKER ARM	4			0.154	
030	05411-00525	PIN SPRING	1			0.004	
040	1G772-14430	WASHER	2			0.004	
050	04013-60080	WASHER PLAIN	2			0.004	
060	04512-60080	WASHER SPRING	2			0.004	
070	01153-50812	BOLT	2			0.017	

ROCKER ARM SHAFT [OLD TYPE]

Ref	Part Number	Part Name	Qty	IC	S/N	Lbs	Remarks
080	1G772-14310	SPRING ROCKER ARM	3			0.033	
090	1G772-14020	ASSY ROCKER ARM IN.	4			0.242	
100	15521-14230	SCREW ADJUSTING	4			0.019	
110	15021-14240	NUT	4			0.006	
120	1G772-14150	ASSY ROCKER ARM EXH.	4			0.231	
130	15521-14230	SCREW ADJUSTING	4			0.019	
140	15021-14240	NUT	4			0.006	
150	1C020-94510	PIN STRAIGHT	4			0.004	
160	01774-51055	BOLT FLANGE	4			0.088	

ROCKER ARM SHAFT [NEW TYPE]

Figure Num 01304001



1G777-004-10

ROCKER ARM SHAFT [NEW TYPE]

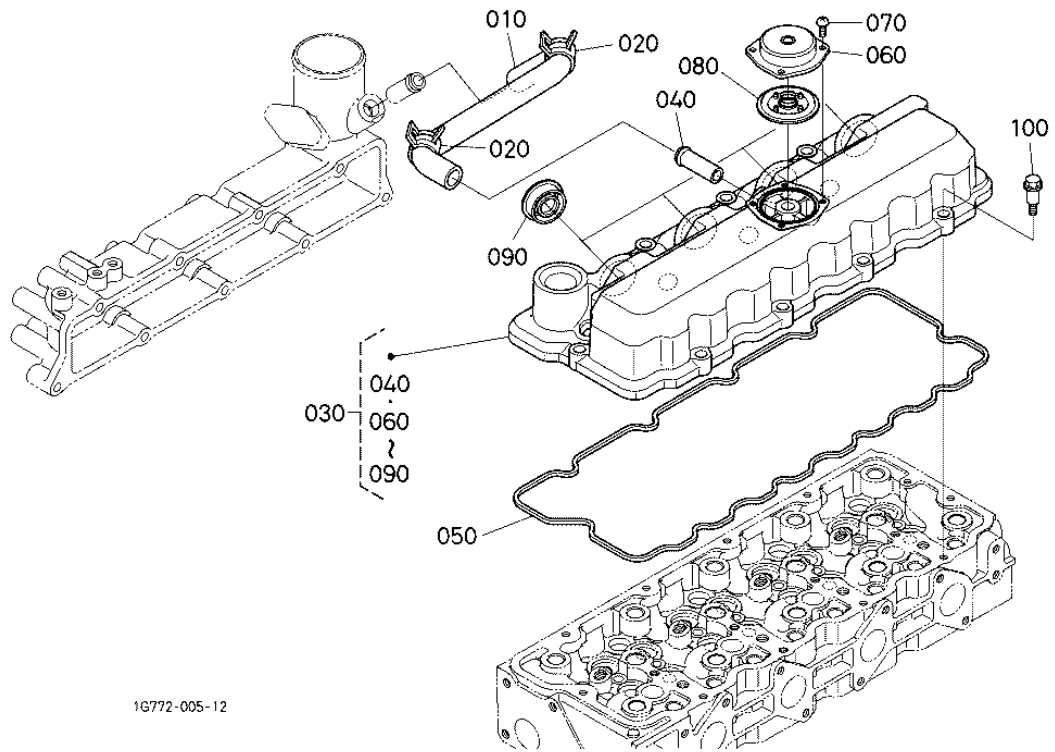
Ref	Part Number	Part Name	Qty	IC	S/N	Lbs	Remarks
010	1G772-14260	SHAFT ROCKER ARM	1			0.902	
020	1G772-14350	BRACKET ROCKER ARM	4			0.154	
030	05411-00525	PIN SPRING	1			0.004	
040	1G772-14430	WASHER	2			0.004	
050	04013-60080	WASHER PLAIN	2			0.004	
060	04512-60080	WASHER SPRING	2			0.004	
070	01153-50812	BOLT	2			0.017	

ROCKER ARM SHAFT [NEW TYPE]

Ref	Part Number	Part Name	Qty	IC	S/N	Lbs	Remarks
080	1G772-14310	SPRING ROCKER ARM	3			0.033	
090	1G772-14020	ASSY ROCKER ARM IN.	4			0.242	
100	15521-14230	SCREW ADJUSTING	4			0.019	
110	15021-14240	NUT	4			0.006	
120	1G772-14150	ASSY ROCKER ARM EXH.	4			0.231	
130	15521-14230	SCREW ADJUSTING	4			0.019	
140	15021-14240	NUT	4			0.006	
150	1C020-94510	PIN STRAIGHT	4			0.004	
160	01774-51055	BOLT FLANGE	4			0.088	

HEAD COVER [OLD TYPE] ## S.No.;<=8S0030

Figure Num 013050



1G772-005-12

HEAD COVER [OLD TYPE]

Ref	Part Number	Part Name	Qty	IC	S/N	Lbs	Remarks
010	1G772-05510	TUBE BREATHER	1			0.105	
020	16241-33510	BAND PIPE	2			0.011	
030	1G772-14505	ASSY COVER CYL.HEAD	1	>>	>=8U0001	0	
030	1G772-14504	ASSY COVER CYL.HEAD	1	NI	>=8Q0001	4.95	
030	1G772-14500	ASSY COVER CYL.HEAD	1		<=8N1300	4.95	
040	16241-05550	JOINT BREATHER PIPE	1			0.044	
050	1G772-14520	GASKET HEAD COVER	1			0.077	

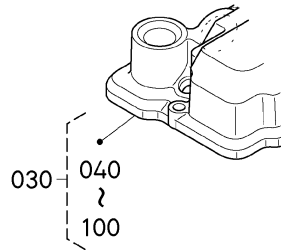
HEAD COVER [OLD TYPE]

Ref	Part Number	Part Name	Qty	IC	S/N	Lbs	Remarks
060	1G801-05120	COVER BREATHER	1			0.077	
070	03054-50508	SCREW PAN-HEAD	4	NI	>=7U0001	0.004	
070	03054-50510	SCREW PAN-HEAD	4		<=7TZ999	0.006	
080	1G911-05203	COMP.VALVE BREATHER	1			0.022	
090	1C020-53810	SEAL INJECTION PIPE	4			0.044	
100	1G911-91022	BOLT	10			0.033	

HEAD COVER [OLD TYPE] ## S.No.;<=8S0030

Figure Num 013050

OLD PARTS



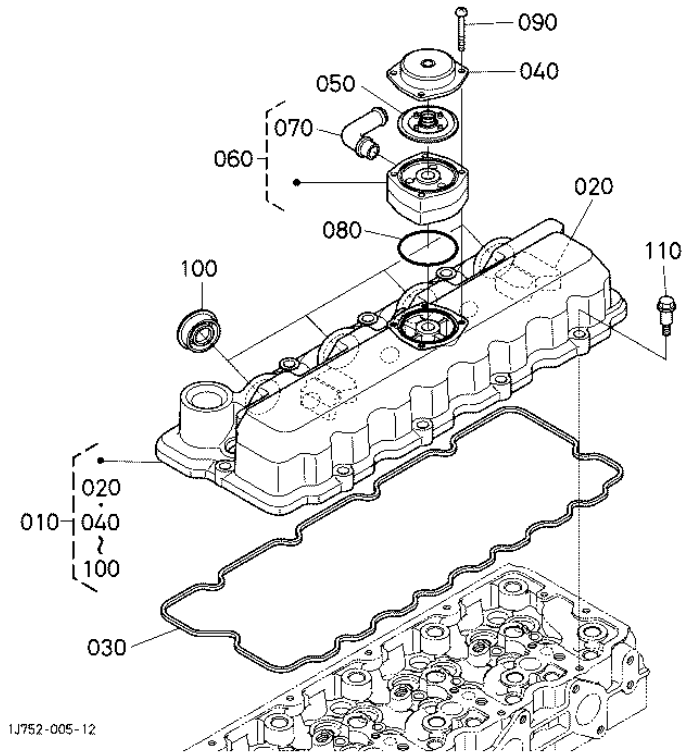
1G770-801-10

HEAD COVER [OLD TYPE]

Ref	Part Number	Part Name	Qty	IC	S/N	Lbs	Remarks
030	1G772-14505	ASSY COVER CYL.HEAD	1	>>	>=8U0001	0	
030	1G772-14504	ASSY COVER CYL.HEAD	1	NI	>=8Q0001	4.95	
030	1G772-14500	ASSY COVER CYL.HEAD	1		<=8N1300	4.95	

HEAD COVER [NEW TYPE]

Figure Num 01305001



HEAD COVER [NEW TYPE]

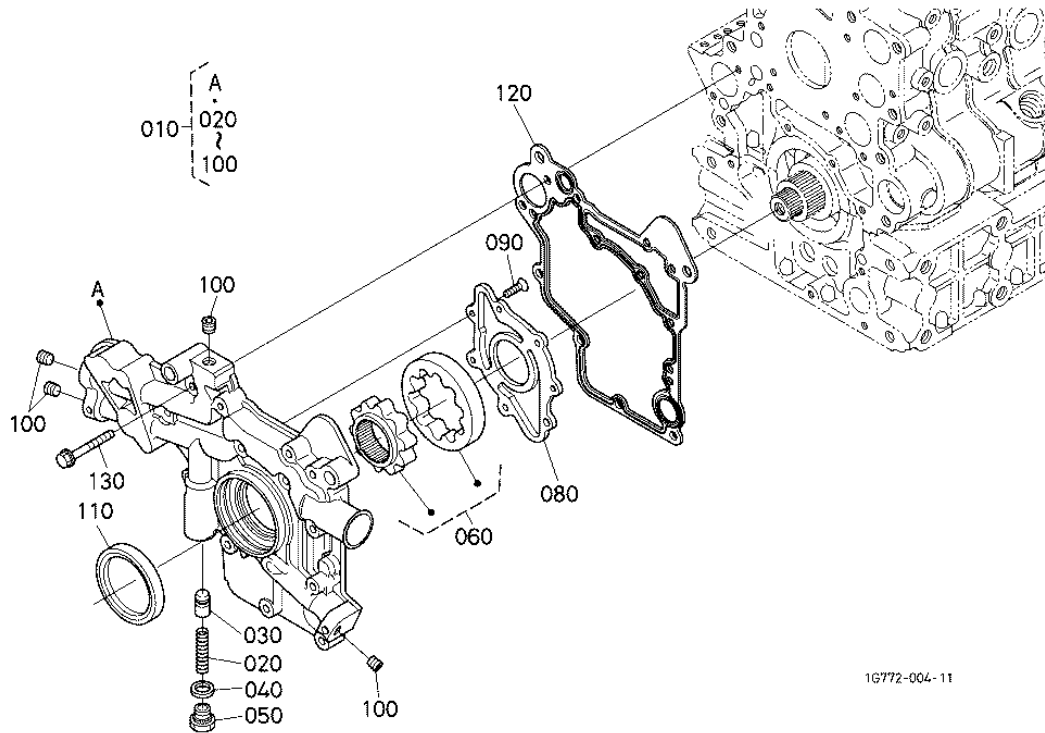
Ref	Part Number	Part Name	Qty	IC	S/N	Lbs	Remarks
010	1J750-14503	ASSY COVER CYL.HEAD	1			0	
020	16241-05670	ELEMENT BREATHER	4			0.022	
030	1G772-14520	GASKET HEAD COVER	1			0.077	
040	1G801-05120	COVER BREATHER	1			0.077	
050	1G911-05203	COMP.VALVE BREATHER	1			0.022	
060	1G777-14680	ASSY SPACER	1			0.391	
070	1G777-05550	JOINT BREATHER	1			0.059	

HEAD COVER [NEW TYPE]

Ref	Part Number	Part Name	Qty	IC	S/N	Lbs	Remarks
080	1G924-05430	O RING BREATHER	1			0.002	
090	03054-50540	SCREW PAN-HEAD	4			0.006	
100	1C020-53810	SEAL INJECTION PIPE	4			0.044	
110	1G911-91022	BOLT	10			0.033	

FRONT COVER

Figure Num 013100



FRONT COVER

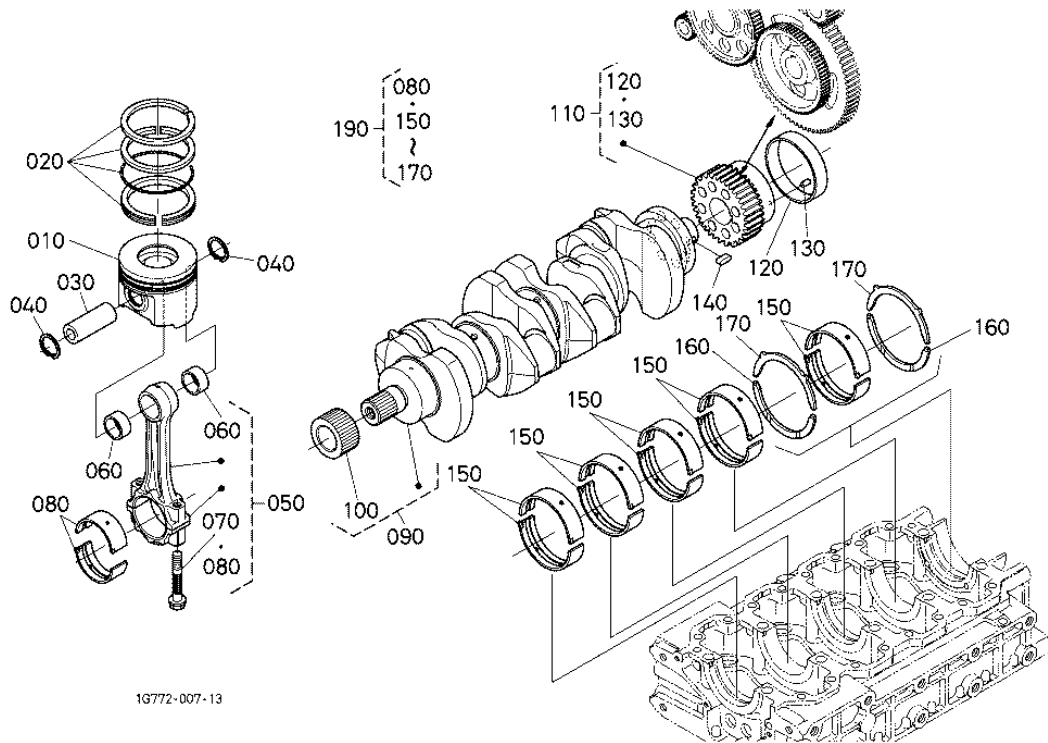
Ref	Part Number	Part Name	Qty	IC	S/N	Lbs	Remarks
010	1G772-04220	ASSY COVER FRONT	1			6.336	
020	1C010-36950	SPRING	1			0.030	
030	1C010-36922	VALVE RELIEF	1			0.068	
040	15451-96670	GASKET	1			0.006	
050	1C010-36960	PLUG	1			0.11	
060	1G772-35070	ASSY ROTOR OIL PUMP	1			1.012	
080	1G772-35130	COVER OIL PUMP	1			0.286	

FRONT COVER

Ref	Part Number	Part Name	Qty	IC	S/N	Lbs	Remarks
090	03016-50616	SCREW CSK-HD	7			0.006	
100	1C010-96020	PLUG	4			0.048	
110	1C020-04140	SEAL OIL	1			0.096	
120	1G772-04330	GASKET FRONT COVER	1			0.055	
130	1G410-91020	BOLT FLANGE	13	>>	>=8C0001	0.041	
130	01754-50840	BOLT FLANGE	13		<=8A0001	0.044	

PISTON AND CRANKSHAFT [OLD TYPE] ## S.No.;<=8S0030

Figure Num 013110



1G772-007-13

PISTON AND CRANKSHAFT [OLD TYPE]

Ref	Part Number	Part Name	Qty	IC	S/N	Lbs	Remarks
010	1G772-21900	PISTON	4			1.54	(05)+0.5mm
010	1G772-21120	PISTON	4			1.364	(00)STD
010	1G772-21910	PISTON	4			1.54	(00)+0.5mm
010	1G772-21130	PISTON	4			1.364	(10)STD
010	1G772-21920	PISTON	4			1.54	(10)+0.5mm
010	1G772-21110	PISTON	4			1.518	(05)STD
020	1G772-21050	ASSY PISTON RING	4			0.11	STD

PISTON AND CRANKSHAFT [OLD TYPE]

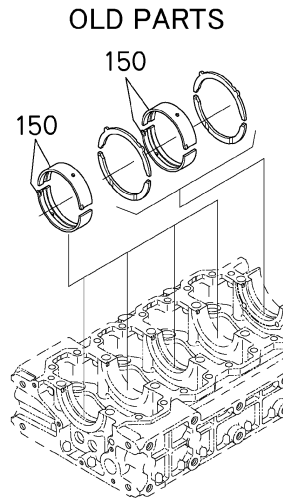
Ref	Part Number	Part Name	Qty	IC	S/N	Lbs	Remarks
020	1G772-21090	ASSY PISTON RING	4			0.121	+0.5mm
030	1G772-21310	PIN PISTON	4			0.572	
040	04611-00280	CIR CLIP INTERNAL	8			0.004	
050	1G772-22010	ASSY ROD CONNECTING	4			2.354	
060	1G772-21980	BUSH PISTON PIN	8			0.044	
070	1G772-22140	BOLT CONNECTING ROD	8			0.088	
080	1G772-22310	METAL CRANKPIN	4			0.048	STD/BLUE/SET
080	1G772-22330	METAL CRANKPIN	4			0.048	STD/SET
080	1G772-22970	METAL CRANKPIN	4			0.11	-0.2mm/GREEN/SET
080	1G772-22980	METAL CRANKPIN	4			0.121	-0.4mm/RED/SET
090	1G776-23010	COMP.CRANKSHAFT	1	>>	>=8A0001	50.6	
090	1G772-23010	COMP.CRANKSHAFT	1		<=7Y1119	50.07	
100	1G772-35630	GEAR OIL PUMP DRIVE	1			0.286	
110	1G772-24100	ASSY GEAR CRANKSHAFT	1			3.828	
120	17381-23280	SLEEVE CRANKSHAFT	1			0.198	
130	05012-00612	PIN STRAIGHT	1			0.006	
140	05712-00720	KEY FEATHER	1			0.017	
150	1G772-23920	METAL CRANKSHAFT	10		<=8N1300	0.242	-0.4mm
150	1G772-23920	METAL CRANKSHAFT	5		>=8Q0001	0.242	-0.4mm/SET
150	1G772-23910	METAL CRANKSHAFT	5		>=8Q0001	0.242	-0.2mm/SET
150	1G772-23910	METAL CRANKSHAFT	10		<=8N1300	0.242	-0.2mm
150	1G772-23472	METAL CRANKSHAFT	5		>=8Q0001	0.242	STD
150	1G772-23472	METAL CRANKSHAFT	10		<=8N1300	0.242	STD
160	1G772-23950	METAL SIDE	2			0.055	+0.2mm
160	1G772-23960	METAL SIDE	2			0.059	+0.4mm
160	1G772-23532	METAL SIDE	2			0.044	STD

PISTON AND CRANKSHAFT [OLD TYPE]

Ref	Part Number	Part Name	Qty	IC	S/N	Lbs	Remarks
170	1G772-23542	METAL SIDE	2			0.044	STD
170	1G772-23970	METAL SIDE	2			0.066	+0.2mm
170	1G772-23980	METAL SIDE	2			0.066	+0.4mm
190	1G772-23770	KIT METAL ENGINE	1			3.036	+0.4mm/-0.4mm
190	1G772-23750	KIT METAL ENGINE	1			2.679	STD
190	1G772-23760	KIT METAL ENGINE	1			3.036	+0.2mm/-0.2mm

PISTON AND CRANKSHAFT [OLD TYPE] ## S.No.;<=8S0030

Figure Num 013110



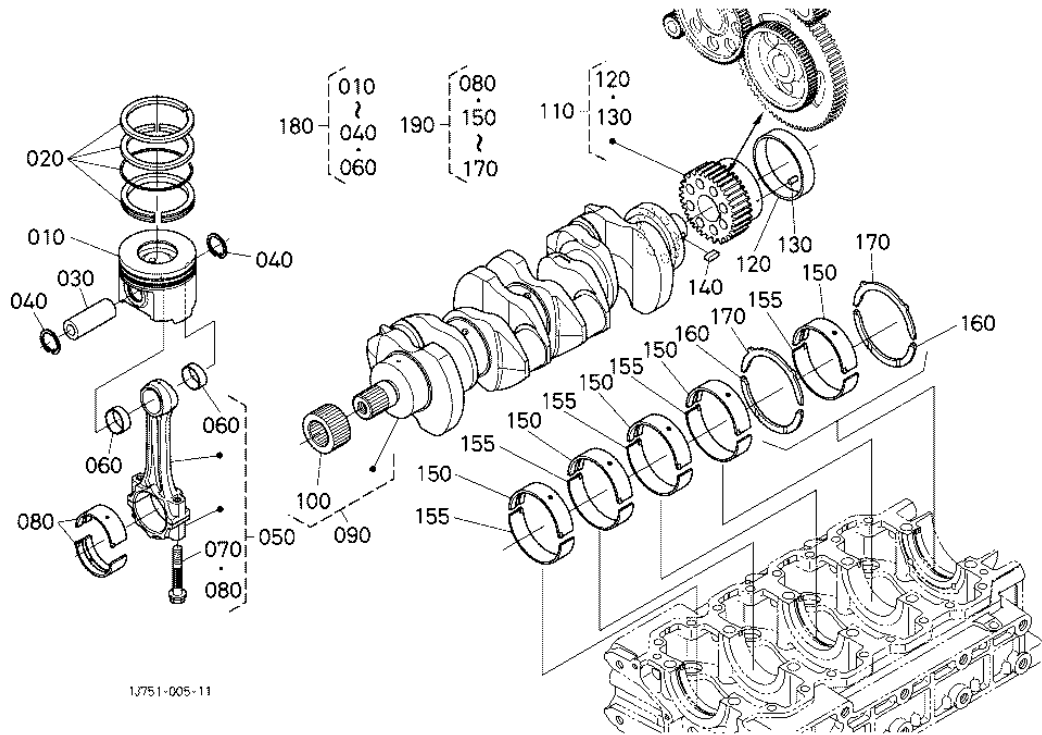
1J751-802-10

PISTON AND CRANKSHAFT [OLD TYPE]

Ref	Part Number	Part Name	Qty	IC	S/N	Lbs	Remarks
150	1G772-23920	METAL CRANKSHAFT	5		>=8Q0001	0.242	-0.4mm/SET
150	1G772-23920	METAL CRANKSHAFT	10		<=8N1300	0.242	-0.4mm
150	1G772-23910	METAL CRANKSHAFT	5		>=8Q0001	0.242	-0.2mm/SET
150	1G772-23910	METAL CRANKSHAFT	10		<=8N1300	0.242	-0.2mm
150	1G772-23472	METAL CRANKSHAFT	5		>=8Q0001	0.242	STD
150	1G772-23472	METAL CRANKSHAFT	10		<=8N1300	0.242	STD

PISTON AND CRANKSHAFT [NEW TYPE]

Figure Num 01311001



PISTON AND CRANKSHAFT [NEW TYPE]

Ref	Part Number	Part Name	Qty	IC	S/N	Lbs	Remarks
010	1G776-21902	PISTON	4			1.606	(05)+0.5mm
010	1G776-21122	PISTON	4			1.564	(00)STD
010	1G776-21912	PISTON	4			1.584	(00)+0.5mm
010	1G776-21132	PISTON	4			1.570	(10)STD
010	1G776-21922	PISTON	4			1.606	(10)+0.5mm
010	1G776-21112	PISTON	4			1.559	(05)STD
020	1G772-21050	ASSY PISTON RING	4			0.11	STD

PISTON AND CRANKSHAFT [NEW TYPE]

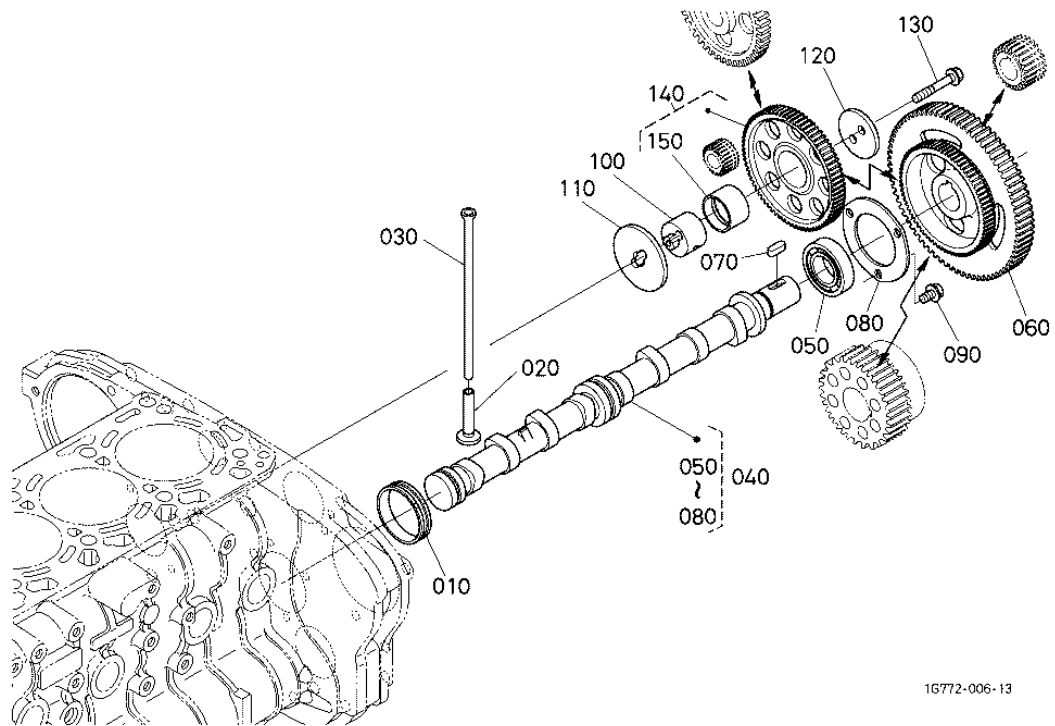
Ref	Part Number	Part Name	Qty	IC	S/N	Lbs	Remarks
020	1G772-21090	ASSY PISTON RING	4			0.121	+0.5mm
030	1G772-21310	PIN PISTON	4			0.572	
040	04611-00280	CIR CLIP INTERNAL	8			0.004	
050	1G777-22010	ASSY ROD CONNECTING	4			2.279	
060	1G772-21980	BUSH PISTON PIN	8			0.044	
070	1G772-22140	BOLT CONNECTING ROD	8			0.088	
080	1G772-22310	METAL CRANKPIN	8			0.048	STD/BLUE/SET
080	1G772-22330	METAL CRANKPIN	8			0.048	STD/SET
080	1G772-22970	METAL CRANKPIN	4			0.11	-0.2mm/GREEN/SET
080	1G772-22980	METAL CRANKPIN	4			0.121	-0.4mm/RED/SET
090	1G776-23010	COMP.CRANKSHAFT	1			50.6	
100	1G772-35630	GEAR OIL PUMP DRIVE	1			0.286	
110	1G772-24100	ASSY GEAR CRANKSHAFT	1			3.828	
120	17381-23280	SLEEVE CRANKSHAFT	1			0.198	
130	05012-00612	PIN STRAIGHT	1			0.006	
140	05712-00720	KEY FEATHER	1			0.017	
150	1G772-23472	METAL CRANKSHAFT	5			0.242	STD
150	1G772-23910	METAL CRANKSHAFT	5			0.242	-0.2mm
150	1G772-23920	METAL CRANKSHAFT	5			0.242	-0.4mm
155	1G777-23480	METAL CRANKSHAFT	5			0.246	STD
155	1G777-23910	METAL CRANKSHAFT	5			0.248	-0.2mm
155	1G777-23920	METAL CRANKSHAFT	5			0.257	-0.4mm
160	1G772-23532	METAL SIDE	2			0.044	STD
160	1G772-23950	METAL SIDE	2			0.055	-0.2mm
160	1G772-23960	METAL SIDE	2			0.059	-0.4mm
170	1G772-23542	METAL SIDE	2			0.044	STD

PISTON AND CRANKSHAFT [NEW TYPE]

Ref	Part Number	Part Name	Qty	IC	S/N	Lbs	Remarks
170	1G772-23970	METAL SIDE	2			0.066	+0.2mm
170	1G772-23980	METAL SIDE	2			0.066	+0.4mm
180	1G776-21770	KIT PISTON	4			0	STD
180	1G776-21790	KIT PISTON	4			0	+0.5mm
190	1G772-23770	KIT METAL ENGINE	1			3.036	+0.4mm/-0.4mm
190	1G772-23750	KIT METAL ENGINE	1			2.679	STD
190	1G772-23760	KIT METAL ENGINE	1			3.036	+0.2mm/-0.2mm

CAMSHAFT AND IDLE GEAR SHAFT [OLD TYPE] ## S.No.;<=8S0030

Figure Num 013120



1G772-006-13

CAMSHAFT AND IDLE GEAR SHAFT [OLD TYPE]

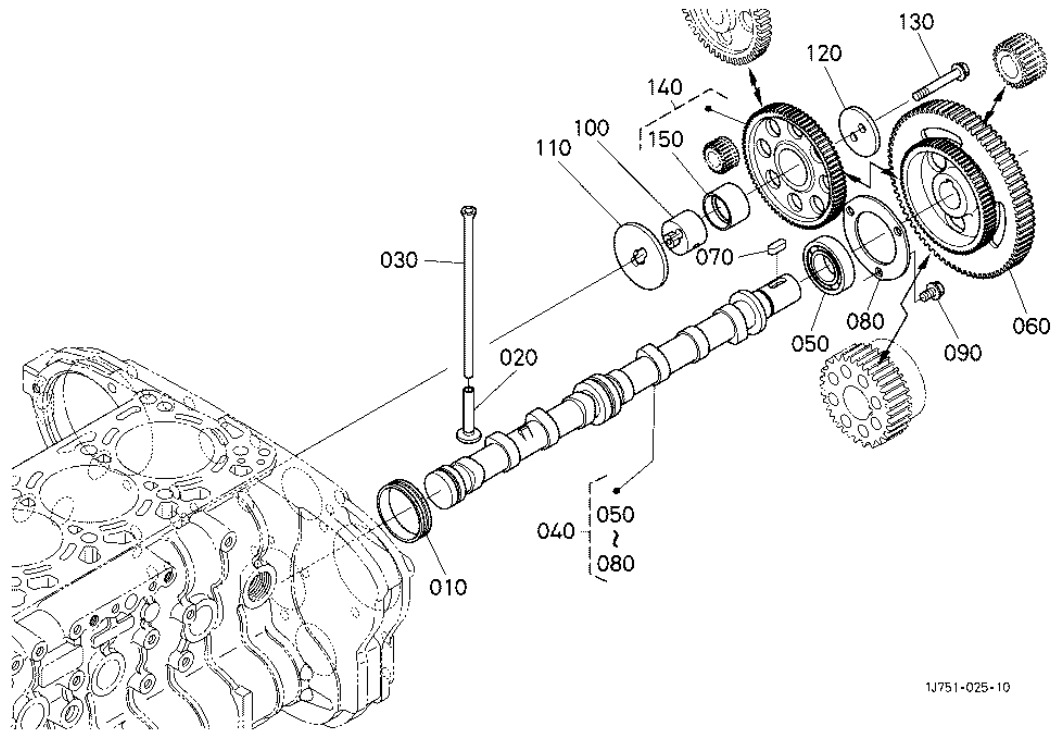
Ref	Part Number	Part Name	Qty	IC	S/N	Lbs	Remarks
010	1G772-16410	COVER CAMSHAFT	1			0.066	
020	1G772-15550	TAPPET	8			0.092	
030	1G772-15110	PUSH ROD	8			0.132	
040	1G772-16010	ASSY CAMSHAFT	1			11.88	
050	08101-06206	BEARING BALL	1			0.431	
060	1G772-16510	GEAR CAM	1			5.566	
070	05712-00720	KEY FEATHER	1			0.017	

CAMSHAFT AND IDLE GEAR SHAFT [OLD TYPE]

Ref	Part Number	Part Name	Qty	IC	S/N	Lbs	Remarks
080	1G772-16270	STOPPER CAMSHAFT	1			0.143	
090	01755-50816	BOLT FLANGE	3			0.286	
100	1G772-24250	SHAFT IDLE GEAR	1			0.363	
110	1G772-24360	COLLAR IDLE GEAR	1			0.264	
120	1G772-24370	COLLAR IDLE GEAR	1			0.143	
130	01754-50850	BOLT FLANGE	2		<=7RZ999	0.048	
130	1G772-91050	BOLT FLANGE	2	>>	>=7S0001	0.048	
140	1G772-24010	COMP.GEAR IDLE	1			1.672	
150	1G772-24980	BUSH IDLE GEAR	1			0.088	

CAMSHAFT AND IDLE GEAR SHAFT [NEW TYPE]

Figure Num 01312001



1J751-025-10

CAMSHAFT AND IDLE GEAR SHAFT [NEW TYPE]

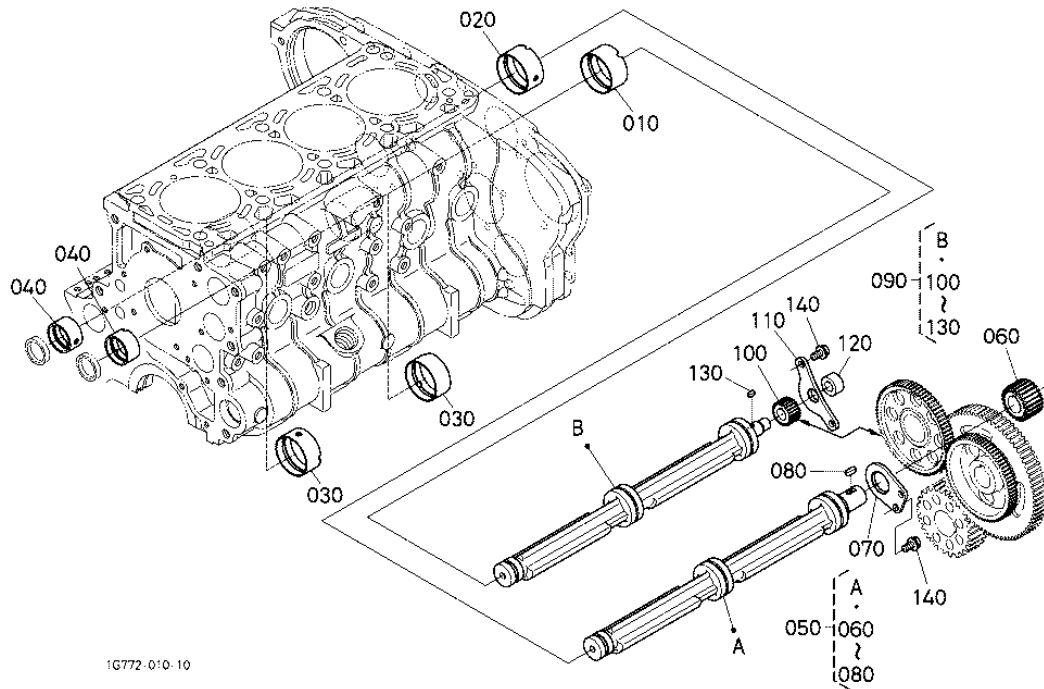
Ref	Part Number	Part Name	Qty	IC	S/N	Lbs	Remarks
010	1G772-16410	COVER CAMSHAFT	1			0.066	
020	1G772-15550	TAPPET	8			0.092	
030	1G772-15110	PUSH ROD	8			0.132	
040	1G772-16010	ASSY CAMSHAFT	1			11.88	
050	08101-06206	BEARING BALL	1			0.431	
060	1G772-16510	GEAR CAM	1			5.566	
070	05712-00720	KEY FEATHER	1			0.017	

CAMSHAFT AND IDLE GEAR SHAFT [NEW TYPE]

Ref	Part Number	Part Name	Qty	IC	S/N	Lbs	Remarks
080	1G772-16270	STOPPER CAMSHAFT	1			0.143	
090	01755-50816	BOLT FLANGE	3			0.286	
100	1G772-24250	SHAFT IDLE GEAR	1			0.363	
110	1G772-24360	COLLAR IDLE GEAR	1			0.264	
120	1G772-24370	COLLAR IDLE GEAR	1			0.143	
130	1G772-91050	BOLT FLANGE	2			0.048	
140	1G772-24010	COMP.GEAR IDLE	1			1.672	
150	1G772-24980	BUSH IDLE GEAR	1			0.088	

BALANCER [OLD TYPE] ## S.No.;<=8S0030

Figure Num 013130



1G772-010-10

BALANCER [OLD TYPE]

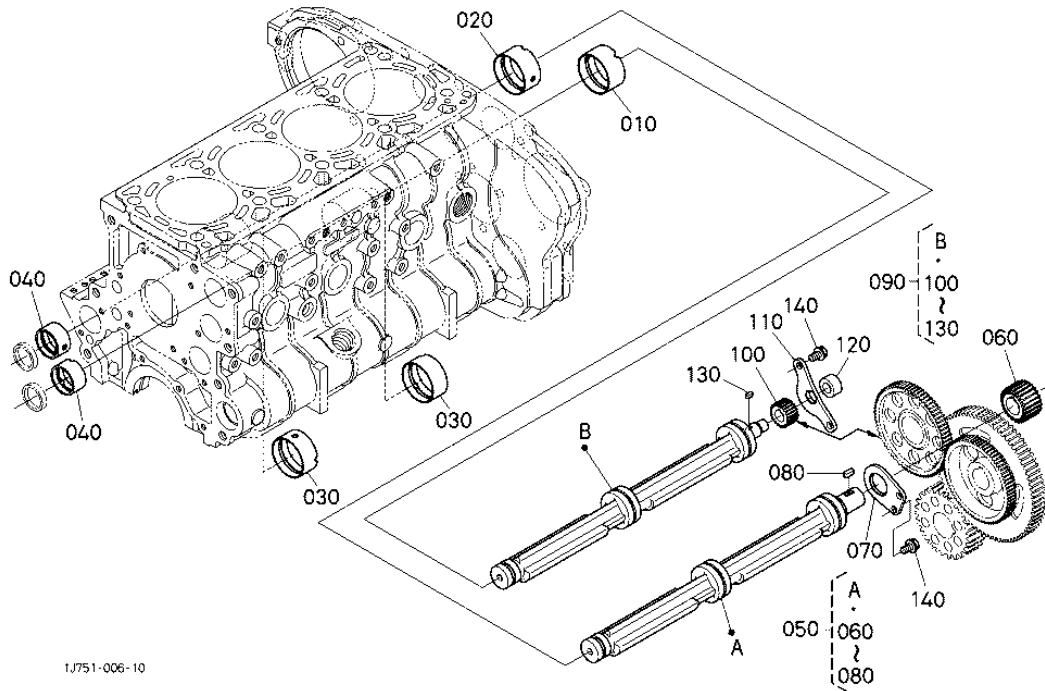
Ref	Part Number	Part Name	Qty	IC	S/N	Lbs	Remarks
010	1G772-26962	METAL BALANCER	1			0.121	
020	1G772-26970	METAL BALANCER	1			0.088	
030	1G772-26980	METAL BALANCER	2			0.099	
040	1G772-26992	METAL BALANCER	2			0.066	
050	1G772-26300	ASSY SHAFT BALANCER	1			7.876	
060	1G772-26440	GEAR BALANCER	1			0.572	
070	1G772-26580	STOPPER	1			0.154	

BALANCER [OLD TYPE]

Ref	Part Number	Part Name	Qty	IC	S/N	Lbs	Remarks
080	05712-00515	KEY FEATHER	1			0.006	
090	1G772-26400	ASSY SHAFT BALANCER	1			8.008	
100	1G772-26450	GEAR BALANCER	1			0.154	
110	1G772-26590	STOPPER	1			0.165	
120	1G772-26570	STOPPER	1			0.099	
130	05712-00410	KEY FEATHER	1			0.002	
140	01754-50816	BOLT FLANGE	4			0.024	

BALANCER [NEW TYPE]

Figure Num 01313001



1J751-006-10

BALANCER [NEW TYPE]

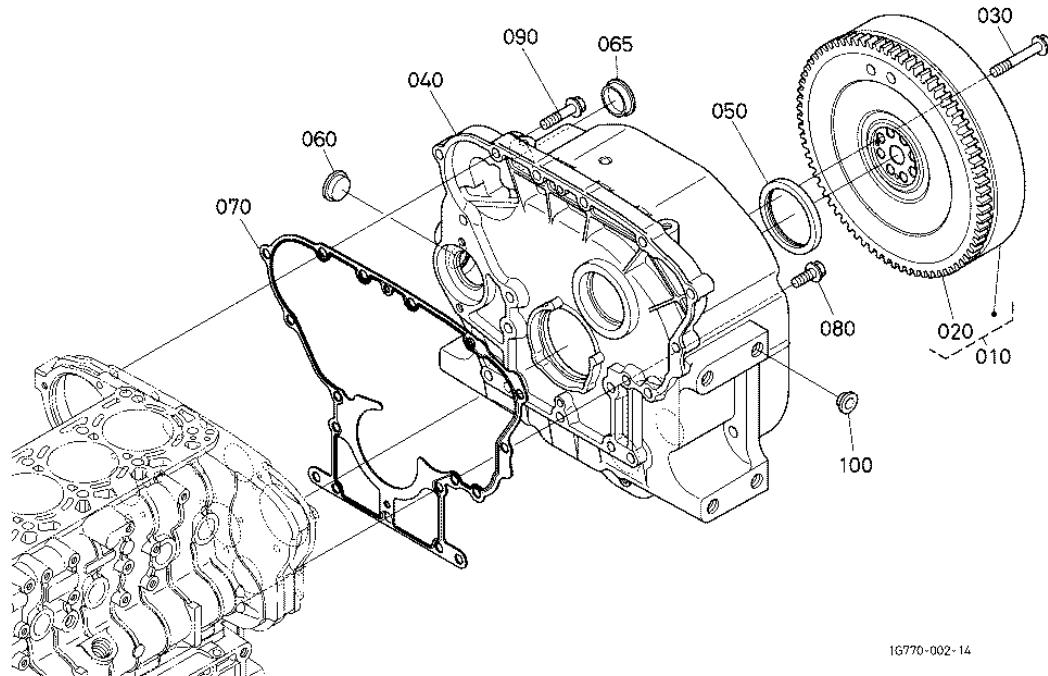
Ref	Part Number	Part Name	Qty	IC	S/N	Lbs	Remarks
010	1G772-26962	METAL BALANCER	1			0.121	
020	1G772-26970	METAL BALANCER	1			0.088	
030	1G772-26980	METAL BALANCER	2			0.099	
040	1G772-26992	METAL BALANCER	2			0.066	
050	1G772-26300	ASSY SHAFT BALANCER	1			7.876	
060	1G772-26440	GEAR BALANCER	1			0.572	
070	1G772-26580	STOPPER	1			0.154	

BALANCER [NEW TYPE]

Ref	Part Number	Part Name	Qty	IC	S/N	Lbs	Remarks
080	05712-00515	KEY FEATHER	1			0.006	
090	1G772-26400	ASSY SHAFT BALANCER	1			8.008	
100	1G772-26450	GEAR BALANCER	1			0.154	
110	1G772-26590	STOPPER	1			0.165	
120	1G772-26570	STOPPER	1			0.099	
130	05712-00410	KEY FEATHER	1			0.002	
140	01754-50816	BOLT FLANGE	4			0.024	

FLYWHEEL ## NOTE:ORDER BY REF.No.010 NEW PART.

Figure Num 01315002



16770-002-14

FLYWHEEL

Ref	Part Number	Part Name	Qty	IC	S/N	Lbs	Remarks
010	1G767-25010	COMP.FLYWHEEL	1	=	<=6S0947	0	SEE NOTE
010	1G772-25014	COMP.FLYWHEEL	1	>>	>=6U0001	92.4	
010	1G772-25010	COMP.FLYWHEEL	1			92.4	
020	15602-63820	GEAR RING	1			4.4	
020	1G772-63820	GEAR RING	1	=		3.96	
030	1G772-25160	BOLT FLYWHEEL	8			0.198	
040	1G770-04617	HOUSING FLYWHEEL	1	NI	>=7U0001	178.2	

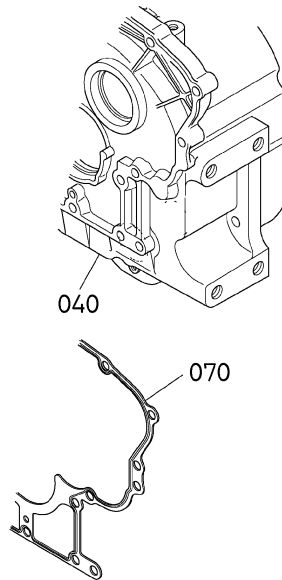
FLYWHEEL

Ref	Part Number	Part Name	Qty	IC	S/N	Lbs	Remarks
040	1G770-04614	HOUSING FLYWHEEL	1		<=7TZ999	178.2	
050	17381-04460	SEAL OIL	1			0.11	
060	1C010-04680	COVER	1			0.028	
065	66592-35170	CAP	1			0.063	
070	1G772-04632	GASKET HOUSING	1		<=7TZ999	0.11	
070	1G777-04630	GASKET HOUSING	1	NI	>=7U0001	0.121	
080	1G772-91030	BOLT FLANGE	10		<=7TZ999	0.099	
080	1G772-91030	BOLT FLANGE	11		>=7U0001	0.099	
090	1G772-91040	BOLT FLANGE	7			0.132	
100	67211-76170	PLUG	6			0.011	

FLYWHEEL ## NOTE:ORDER BY REF.No.010 NEW PART.

Figure Num 01315002

OLD PARTS



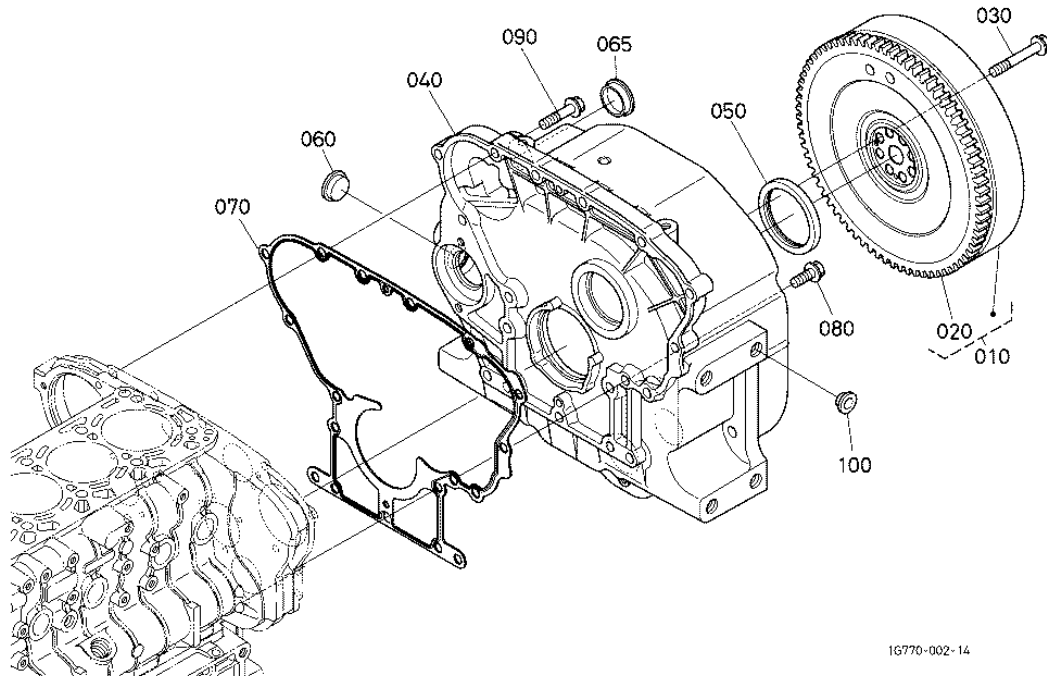
1G770-800-10

FLYWHEEL

Ref	Part Number	Part Name	Qty	IC	S/N	Lbs	Remarks
040	1G770-04617	HOUSING FLYWHEEL	1	NI	>=7U0001	178.2	
040	1G770-04614	HOUSING FLYWHEEL	1		<=7TZ999	178.2	
070	1G777-04630	GASKET HOUSING	1	NI	>=7U0001	0.121	
070	1G772-04632	GASKET HOUSING	1		<=7TZ999	0.11	

FLYWHEEL [OLD TYPE] ## S.No.;<=8S0030

Figure Num 01315003



16770-002-14

FLYWHEEL

Ref	Part Number	Part Name	Qty	IC	S/N	Lbs	Remarks
010	1G767-25010	COMP.FLYWHEEL	1	=	<=6S0947	0	SEE NOTE
010	1G772-25014	COMP.FLYWHEEL	1	>>	>=6U0001	92.4	
010	1G772-25010	COMP.FLYWHEEL	1			92.4	
020	15602-63820	GEAR RING	1			4.4	
020	1G772-63820	GEAR RING	1	=		3.96	
030	1G772-25160	BOLT FLYWHEEL	8			0.198	
040	1G770-04617	HOUSING FLYWHEEL	1	NI	>=7U0001	178.2	

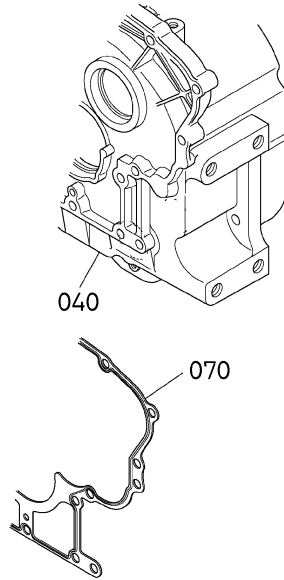
FLYWHEEL

Ref	Part Number	Part Name	Qty	IC	S/N	Lbs	Remarks
040	1G770-04614	HOUSING FLYWHEEL	1		<=7TZ999	178.2	
050	17381-04460	SEAL OIL	1			0.11	
060	1C010-04680	COVER	1			0.028	
065	66592-35170	CAP	1			0.063	
070	1G772-04632	GASKET HOUSING	1		<=7TZ999	0.11	
070	1G777-04630	GASKET HOUSING	1	NI	>=7U0001	0.121	
080	1G772-91030	BOLT FLANGE	10		<=7TZ999	0.099	
080	1G772-91030	BOLT FLANGE	11		>=7U0001	0.099	
090	1G772-91040	BOLT FLANGE	7			0.132	
100	67211-76170	PLUG	6			0.011	

FLYWHEEL [OLD TYPE] ## S.No.;<=8S0030

Figure Num 01315003

OLD PARTS



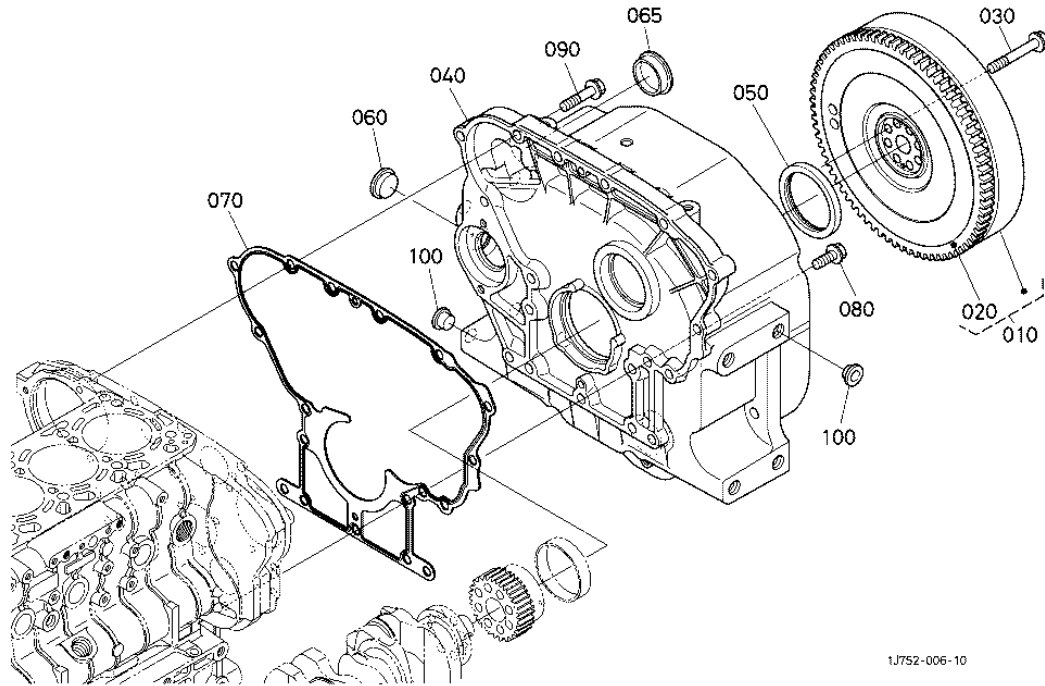
1G770-800-10

FLYWHEEL [OLD TYPE]

Ref	Part Number	Part Name	Qty	IC	S/N	Lbs	Remarks
040	1G770-04617	HOUSING FLYWHEEL	1	NI	>=7U0001	178.2	
040	1G770-04614	HOUSING FLYWHEEL	1		<=7TZ999	178.2	
070	1G777-04630	GASKET HOUSING	1	NI	>=7U0001	0.121	
070	1G772-04632	GASKET HOUSING	1		<=7TZ999	0.11	

FLYWHEEL [NEW TYPE]

Figure Num 01315004



FLYWHEEL [NEW TYPE]

Ref	Part Number	Part Name	Qty	IC	S/N	Lbs	Remarks
010	1G772-25014	COMP.FLYWHEEL	1			92.4	
020	1G772-63820	GEAR RING	1			4.4	
030	1G772-25160	BOLT FLYWHEEL	8			0.198	
040	1G770-04617	HOUSING FLYWHEEL	1			178.2	
050	17381-04460	SEAL OIL	1			0.11	
060	1C010-04680	COVER	1			0.028	
065	66592-35170	CAP	1			0.063	

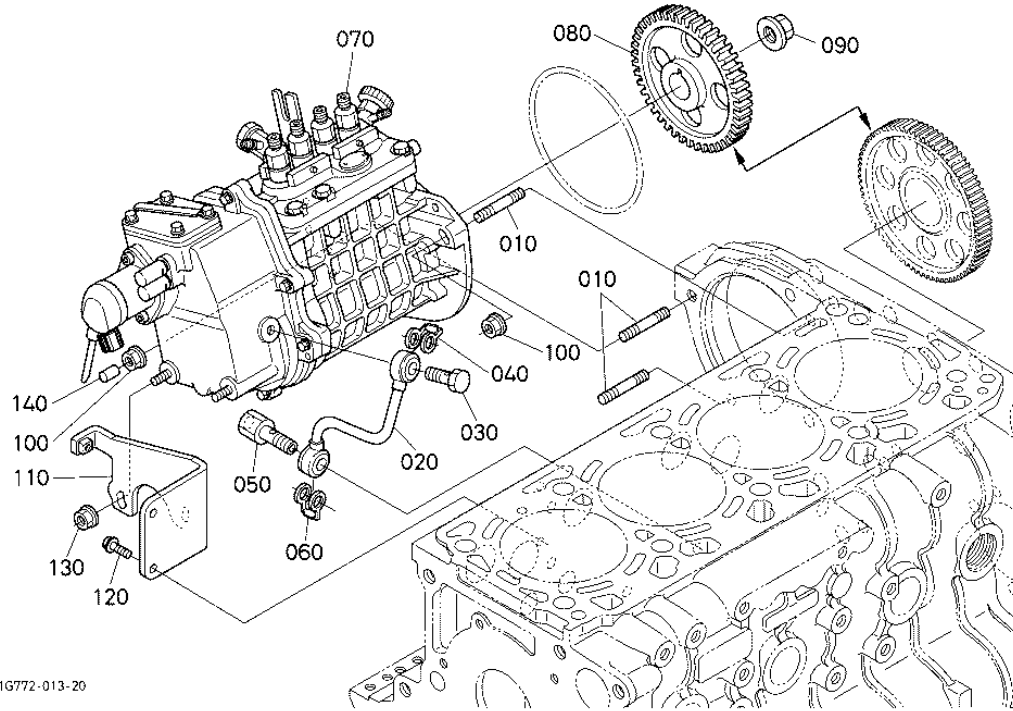
FLYWHEEL [NEW TYPE]

Ref	Part Number	Part Name	Qty	IC	S/N	Lbs	Remarks
070	1G777-04630	GASKET HOUSING	1			0.121	
080	1G772-91030	BOLT FLANGE	11			0.099	
090	1G772-91040	BOLT FLANGE	7			0.132	
100	67211-76170	PLUG	8			0.008	

INJECTION PUMP UNIT [OLD TYPE] ## S.No.;<=8S0030

Figure Num 013200

NOTE: INJECTION PUMP KIT COMPONENTS is from Fig. No. 3210 to 3250 OLD PARTS.



1G772-013-20

INJECTION PUMP UNIT [OLD TYPE]

Ref	Part Number	Part Name	Qty	IC	S/N	Lbs	Remarks
010	1C010-91490	STUD	3			0.039	
020	1G772-33320	COMP.PIPE IP OIL	1			0.121	
030	17371-95800	BOLT EYE JOINT	1			0.055	
040	1C020-96650	GASKET	1			0.002	
050	1G772-33360	BOLT JOINT	1			0.077	
060	1G557-96650	GASKET	1			0.002	
070	1G772-50103	KIT PUMP INJECTION	1	NI	>=8U0001	24.2	SEE NOTE

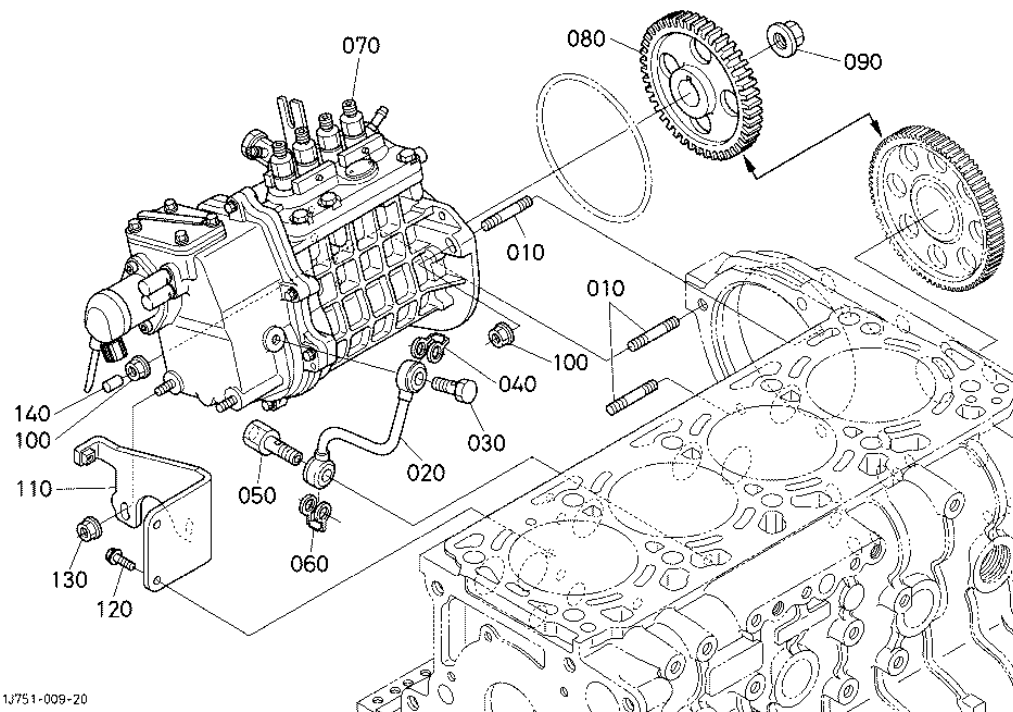
INJECTION PUMP UNIT [OLD TYPE]

Ref	Part Number	Part Name	Qty	IC	S/N	Lbs	Remarks
070	1G772-50102	KIT PUMP INJECTION	1	>>	>=8Q0001	24.2	SEE NOTE
070	1G772-50100	KIT PUMP INJECTION	1		<=8N1300	24.2	SEE NOTE
080	1G772-51150	GEAR INJECTION PUMP	1			1.672	
090	1G772-16200	NUT INJ.PUMP GEAR	1			0.121	
100	02751-50080	NUT FLANGE	3			0.013	
110	1G772-51620	BRACKET INJ.PUMP	1			0.77	
120	01754-50814	BOLT FLANGE	2			0.011	
130	02751-50080	NUT FLANGE	2			0.013	
140	09980-00060	CAP PROTECTOR	1			0.011	

INJECTION PUMP UNIT [NEW TYPE]

Figure Num 01320001

NOTE: INJECTION PUMP KIT COMPONENTS is from Fig. No. 321001 to 325001 NEW PARTS.



1J751-009-20

INJECTION PUMP UNIT [NEW TYPE]

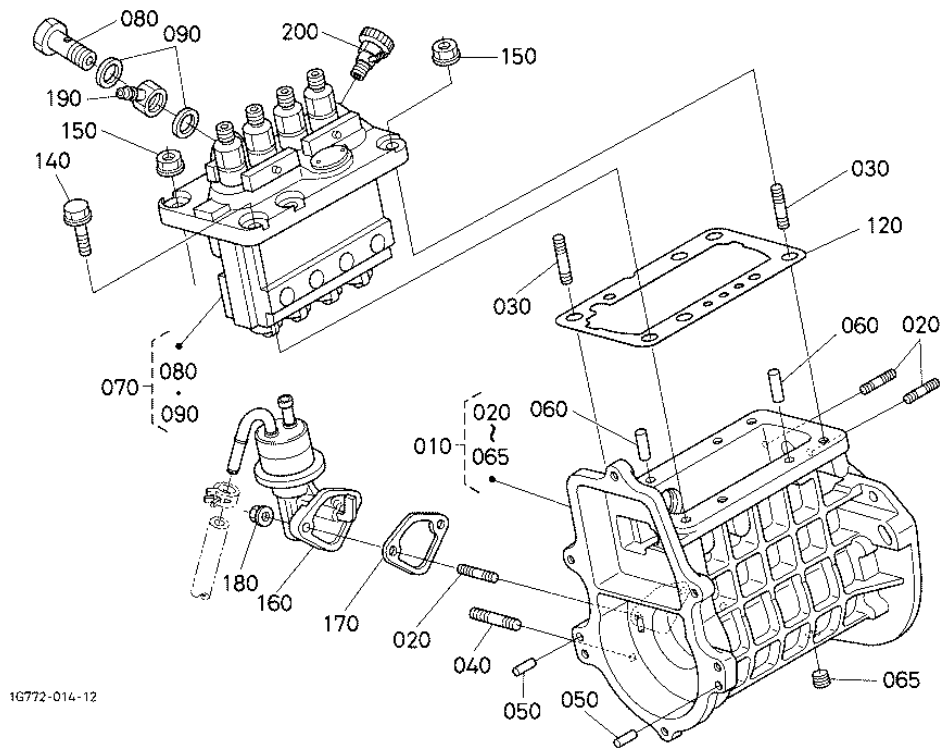
Ref	Part Number	Part Name	Qty	IC	S/N	Lbs	Remarks
010	1C010-91490	STUD	3			0.039	
020	1G772-33320	COMP.PIPE IP OIL	1			0.121	
030	17371-95800	BOLT EYE JOINT	1			0.055	
040	1C020-96650	GASKET	1			0.002	
050	1G772-33360	BOLT JOINT	1			0.077	
060	1G557-96650	GASKET	1			0.002	
070	1J753-50100	KIT PUMP INJECTION	1			0	SEE NOTE

INJECTION PUMP UNIT [NEW TYPE]

Ref	Part Number	Part Name	Qty	IC	S/N	Lbs	Remarks
080	1G772-51150	GEAR INJECTION PUMP	1			1.672	
090	1G772-16200	NUT INJ.PUMP GEAR	1			0.121	
100	02751-50080	NUT FLANGE	3			0.013	
110	1G772-51620	BRACKET INJ.PUMP	1			0.77	
120	01754-50814	BOLT FLANGE	2			0.011	
130	02751-50080	NUT FLANGE	2			0.013	
140	09980-00060	CAP	1			0.011	

INJECTION PUMP [OLD TYPE] ## S.No.;<=8S0030

Figure Num 013210



1G772-014-12

INJECTION PUMP [OLD TYPE]

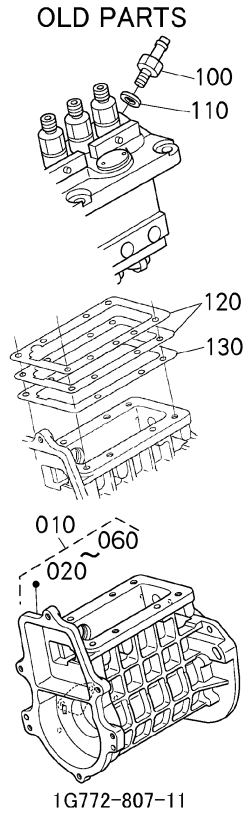
Ref	Part Number	Part Name	Qty	IC	S/N	Lbs	Remarks
010	1G772-50802	ASSY HOUSING I/P	1	NI	>=7L0001	3.872	
010	1G775-50800	ASSY HOUSING I/P	1	NI	>=8L0001	0	
010	1G772-50800	ASSY HOUSING I/P	1		<=7J0802	3.872	
020	16245-91540	STUD	4			0.011	
030	01513-50818	STUD	2		<=7C0237	0.019	
030	15471-91530	STUD	2	>>	>=7E0001	0.022	
040	15471-91530	STUD	2			0.022	

INJECTION PUMP [OLD TYPE]

Ref	Part Number	Part Name	Qty	IC	S/N	Lbs	Remarks
050	05012-00512	PIN STRAIGHT	2			0.004	
060	05012-00609	PIN STRAIGHT	2			0.006	
065	15841-96020	PLUG	1		>=8L0001	0.044	
070	1G774-51012	ASSY PUMP INJECTION	1	NI	>=8L0001	6.886	
070	1G774-51010	ASSY PUMP INJECTION	1		<=8J1050	6.886	
080	1C010-51320	SCREW HOLLOW	1			0.088	
090	15401-96650	GASKET	2			0.002	
120	19077-52123	SHIM INJECTION PUMP	2		<=7J0802	0.022	0.30mm
120	1G790-52162	SHIM INJECTION PUMP	1		>=7L0001	0.002	0.35mm
140	01754-50825	BOLT FLANGE	4			0.022	
150	02751-50080	NUT FLANGE	2			0.013	
160	1C010-52032	ASSY PUMP FUEL	1			0.286	
170	16264-52140	GASKET FUEL PUMP	1			0.002	
180	02751-50060	NUT FLANGE	2			0.011	
190	15401-95690	JOINT EYE	1			0.088	
200	14311-60504	ASSY COCK JET START	1		>=8L0001	0.074	

INJECTION PUMP [OLD TYPE] ## S.No.;<=8S0030

Figure Num 013210



INJECTION PUMP [OLD TYPE]

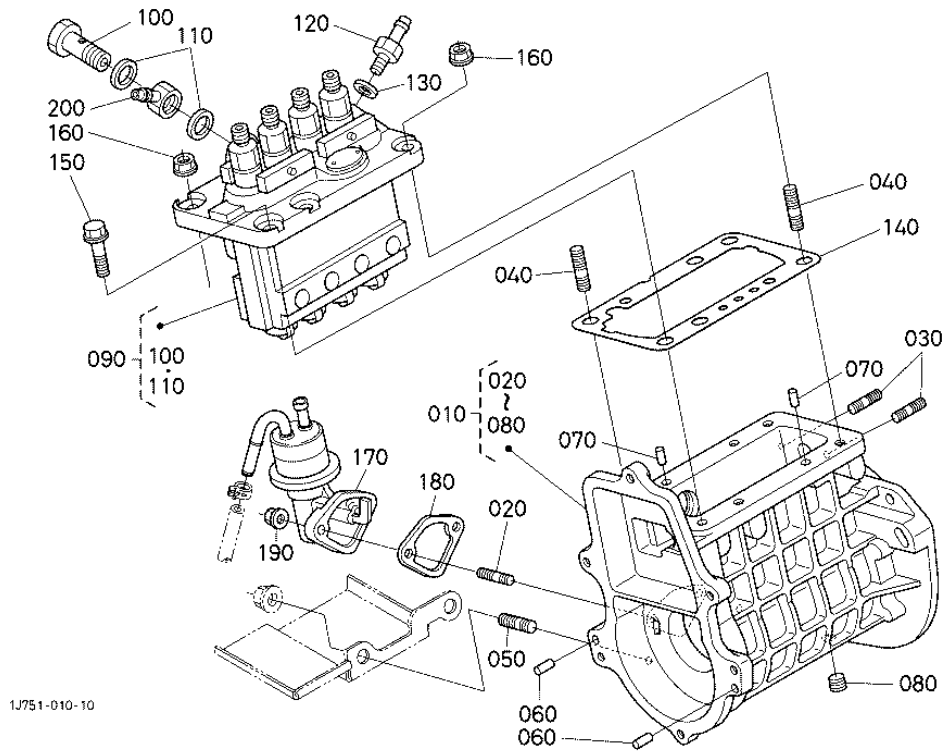
Ref	Part Number	Part Name	Qty	IC	S/N	Lbs	Remarks
010	1G775-50800	ASSY HOUSING I/P	1	NI	>=8L0001	0	
010	1G772-50802	ASSY HOUSING I/P	1	NI	>=7L0001	3.872	
010	1G772-50800	ASSY HOUSING I/P	1		<=7J0802	3.872	
100	11521-51350	SCREW AIR BLEEDER	1		<=8J1050	0.022	
110	15841-96660	GASKET	1		<=8J1050	0.002	
120	1G790-52162	SHIM INJECTION PUMP	1		>=7L0001	0.002	0.35mm
120	19077-52123	SHIM INJECTION PUMP	2		<=7J0802	0.022	0.30mm

INJECTION PUMP [OLD TYPE]

Ref	Part Number	Part Name	Qty	IC	S/N	Lbs	Remarks
130	19077-52092	SHIM INJECTION PUMP	1		<=7J0802	0.013	0.20mm

INJECTION PUMP [NEW TYPE]

Figure Num 01321001



INJECTION PUMP [NEW TYPE]

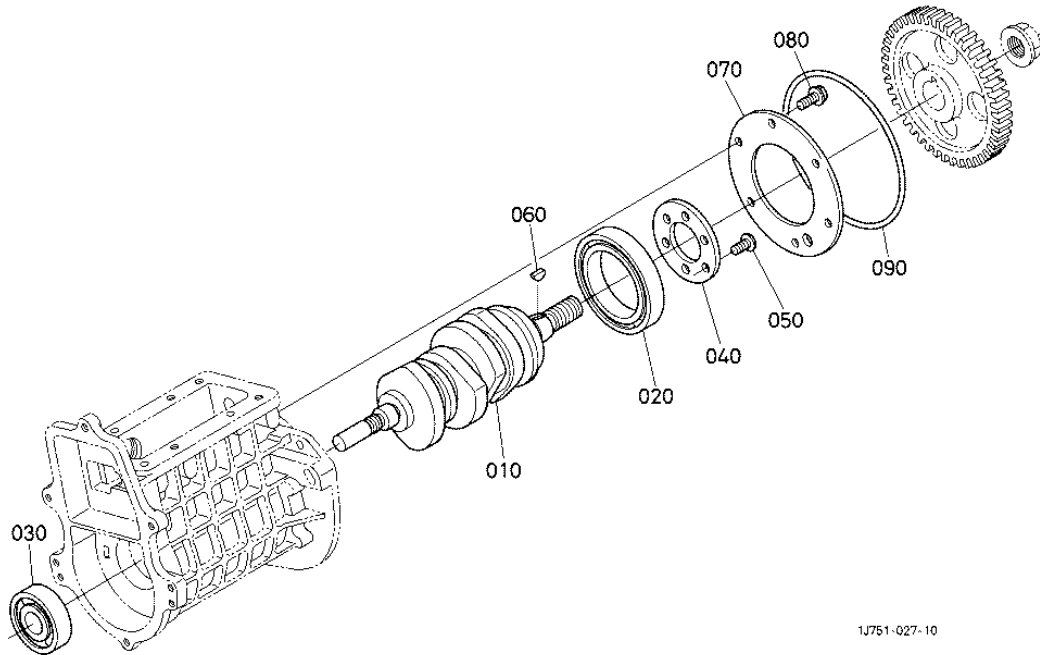
Ref	Part Number	Part Name	Qty	IC	S/N	Lbs	Remarks
010	1G777-50802	ASSY HOUSING I/P	1			3.916	
020	16245-91540	STUD	2			0.011	
030	11233-91500	STUD	2			0.002	
040	15221-91530	STUD	2			0.024	
050	15471-91530	STUD	2			0.022	
060	05012-00512	PIN STRAIGHT	2			0.004	
070	05012-00609	PIN STRAIGHT	2			0.006	

INJECTION PUMP [NEW TYPE]

Ref	Part Number	Part Name	Qty	IC	S/N	Lbs	Remarks
080	15841-96020	PLUG	1			0.044	
090	1G777-51010	ASSY PUMP INJECTION	1			7.612	
100	1J700-51320	BOLT JOINT	1			0	
110	15331-96650	GASKET	2			0.002	
120	1A093-51360	SCREW AIR BLEEDER	1			0.028	
130	15021-33660	GASKET	1			0.002	
140	1G790-52162	SHIM INJECTION PUMP	1			0.002	
150	01754-50825	BOLT FLANGE	4			0.022	
160	02751-50080	NUT FLANGE	2			0.013	
170	1C010-52032	ASSY PUMP FUEL	1			0.286	
180	16264-52140	GASKET FUEL PUMP	1			0.002	
190	02751-50060	NUT FLANGE	2			0.011	
200	14111-42410	JOINT EYE	1			0.055	

FUEL CAMSHAFT [OLD TYPE] ## S.No.;<=8S0030

Figure Num 013220



FUEL CAMSHAFT [OLD TYPE]

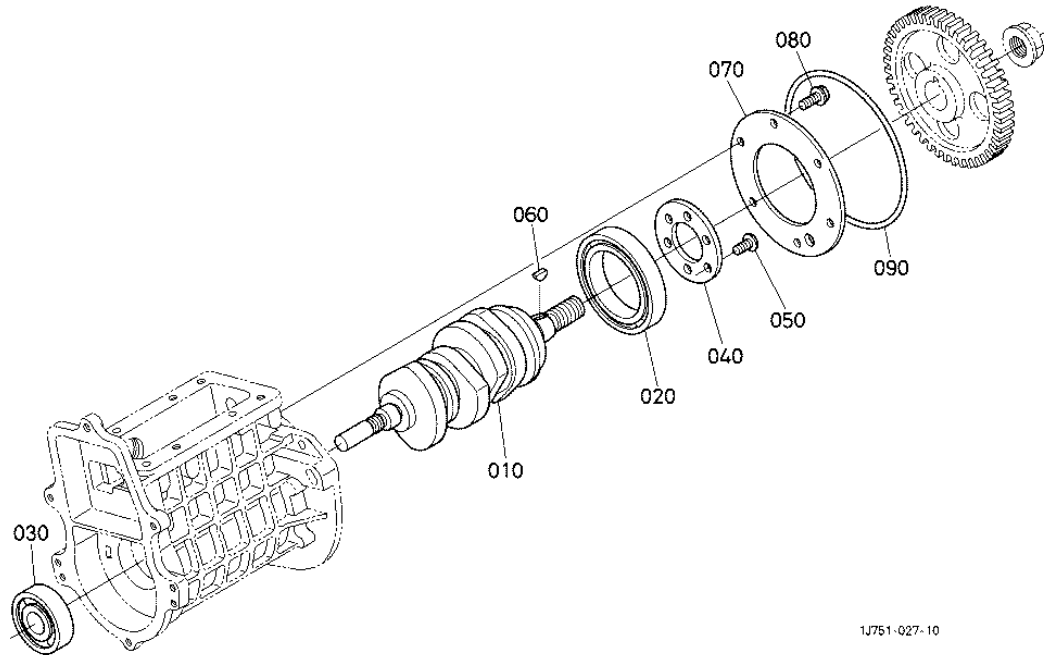
Ref	Part Number	Part Name	Qty	IC	S/N	Lbs	Remarks
010	1G772-16170	CAMSHAFT FUEL	1			4.4	
020	1G772-51760	BEARING BALL	1	NI	>=8A0001	0.264	
020	08103-06910	BEARING BALL	1		<=7Y1119	0.264	
030	08101-06203	BEARING BALL	1			0.138	
040	1G772-16230	STOPPER	1			0.033	
050	03017-50608	SCREW BINDING	6			0.008	
060	12331-95230	KEY WOODRUFF	1			0.022	

FUEL CAMSHAFT [OLD TYPE]

Ref	Part Number	Part Name	Qty	IC	S/N	Lbs	Remarks
070	1G777-16320	STOPPER FUEL C/SHAFT	1	NI	>=8L0001	0.096	
070	1G772-16320	STOPPER FUEL C/SHAFT	1		<=8J1050	0.11	
080	01754-50612	BOLT FLANGE	6			0.011	
090	1G772-52130	GASKET INJ.PUMP	1			0.006	

FUEL CAMSHAFT [NEW TYPE]

Figure Num 01322001



FUEL CAMSHAFT [OLD TYPE]

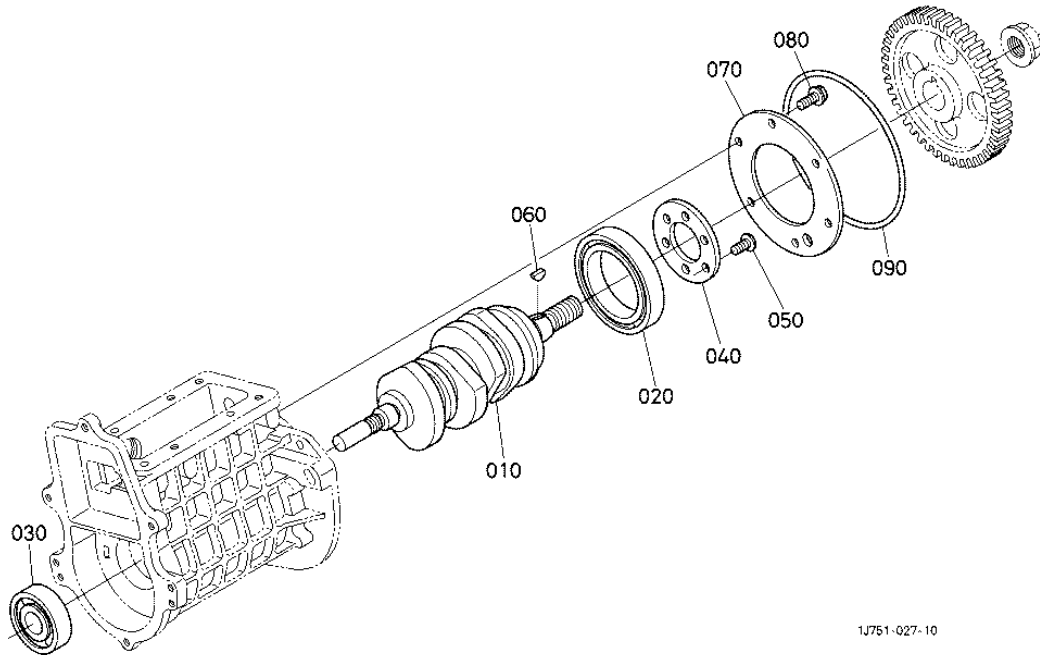
Ref	Part Number	Part Name	Qty	IC	S/N	Lbs	Remarks
010	1G772-16170	CAMSHAFT FUEL	1			4.4	
020	1G772-51760	BEARING BALL	1	NI	>=8A0001	0.264	
020	08103-06910	BEARING BALL	1		<=7Y1119	0.264	
030	08101-06203	BEARING BALL	1			0.138	
040	1G772-16230	STOPPER	1			0.033	
050	03017-50608	SCREW BINDING	6			0.008	
060	12331-95230	KEY WOODRUFF	1			0.022	

FUEL CAMSHAFT [OLD TYPE]

Ref	Part Number	Part Name	Qty	IC	S/N	Lbs	Remarks
070	1G777-16320	STOPPER FUEL C/SHAFT	1	NI	>=8L0001	0.096	
070	1G772-16320	STOPPER FUEL C/SHAFT	1		<=8J1050	0.11	
080	01754-50612	BOLT FLANGE	6			0.011	
090	1G772-52130	GASKET INJ.PUMP	1			0.006	

FUEL CAMSHAFT [NEW TYPE]

Figure Num 01322001



FUEL CAMSHAFT [NEW TYPE]

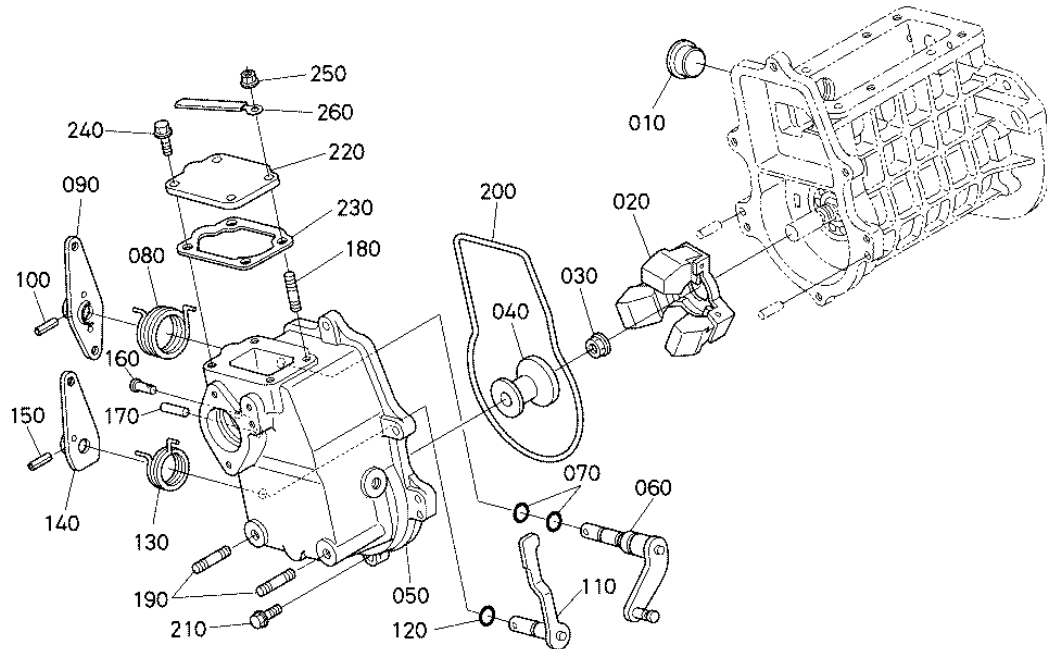
Ref	Part Number	Part Name	Qty	IC	S/N	Lbs	Remarks
010	1G777-16170	CAMSHAFT FUEL	1			4.686	
020	1G772-51760	BEARING BALL	1			0.264	
030	08101-06203	BEARING BALL	1			0.138	
040	1G772-16230	STOPPER	1			0.033	
050	03017-50608	SCREW BINDING	6			0.008	
060	12331-95230	KEY WOODRUFF	1			0.022	
070	1G777-16323	STOPPER FUEL C/SHAFT	1			0.096	

FUEL CAMSHAFT [NEW TYPE]

Ref	Part Number	Part Name	Qty	IC	S/N	Lbs	Remarks
080	01754-50612	BOLT FLANGE	6			0.011	
090	1G772-52130	GASKET INJ.PUMP	1			0.006	

GOVERNOR [OLD TYPE] ## S.No.;<=8S0030

Figure Num 013230



1G772-016-10

GOVERNOR [OLD TYPE]

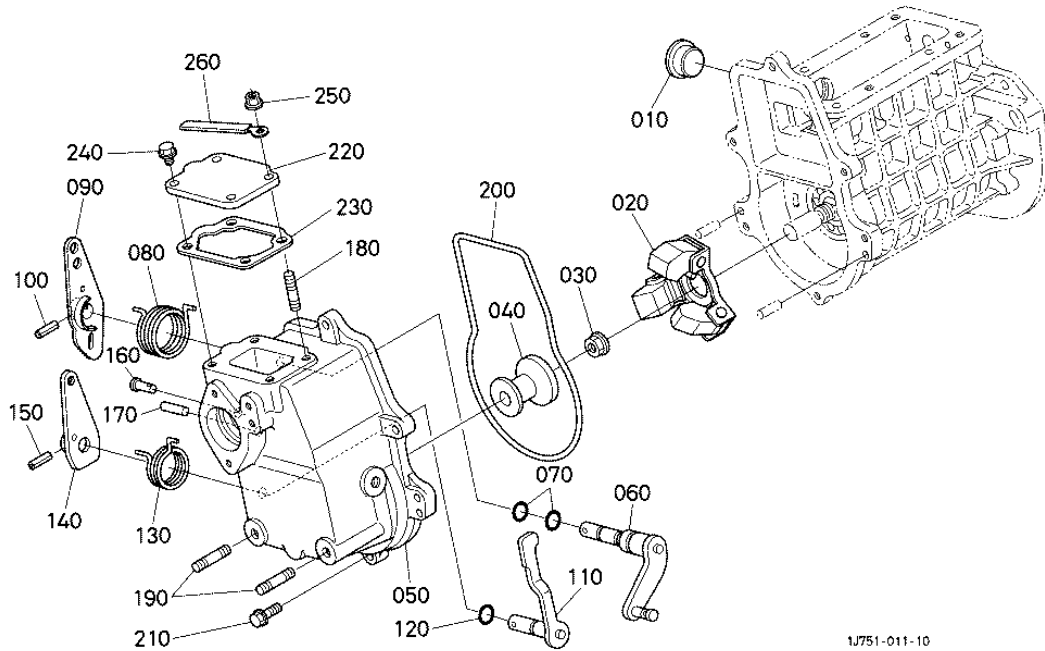
Ref	Part Number	Part Name	Qty	IC	S/N	Lbs	Remarks
010	1C010-56750	COVER GOVERNOR ROD	1			0.015	
020	1G772-55050	ASSY WEIGHT GOVERNOR	1		<=6Y0471	0.55	
020	1G772-55052	ASSY WEIGHT GOVERNOR	1	NI	>=7A0001	0.55	
030	02771-50120	NUT FLANGE	1			0.039	
040	1C020-55453	SLEEVE GOVERNOR	1		<=6Y0471	0.132	
040	1G772-55450	SLEEVE GOVERNOR	1	NI	>=7A0001	0.11	
050	1G772-55100	HOUSING GOVERNOR	1			3.718	

GOVERNOR [OLD TYPE]

Ref	Part Number	Part Name	Qty	IC	S/N	Lbs	Remarks
060	1G772-56020	ASSY LEVER(GOVERNOR)	1			0.165	
070	04814-10070	O RING	2			0.002	
080	1G772-57510	SPRING	1			0.033	
090	1K012-57150	LEVER SPEED CONTROL	1			0.118	
100	05411-00416	PIN SPRING	1			0.002	
110	1G772-57700	ASSY LEVER ENG.STOP	1			0.121	
120	04814-10070	O RING	1			0.002	
130	1G772-57920	SPRING RETURN	1			0.011	
140	1G772-57620	LEVER ENGINE STOP	1			0.11	
150	05411-00416	PIN SPRING	1			0.002	
160	15221-56280	PIN START SPRING	1			0.013	
170	1C010-94510	PIN STRAIGHT	1			0.022	
180	15841-91510	STUD	1			0.015	
190	01518-50820	STUD	2			0.026	
200	1C010-55770	GASKET GOV.HOUSING	1			0.002	
210	01754-50618	BOLT FLANGE	6			0.022	
220	1G730-54540	COVER BOOST COM.HOUS	1			0.176	
230	1A021-57212	GASKET PLATE	1			0.002	
240	01754-50612	BOLT FLANGE	3			0.011	
250	02751-50060	NUT FLANGE	1			0.011	
260	15272-67580	CLAMP CORD	1			0.046	

GOVERNOR [NEW TYPE]

Figure Num 01323001



GOVERNOR [NEW TYPE]

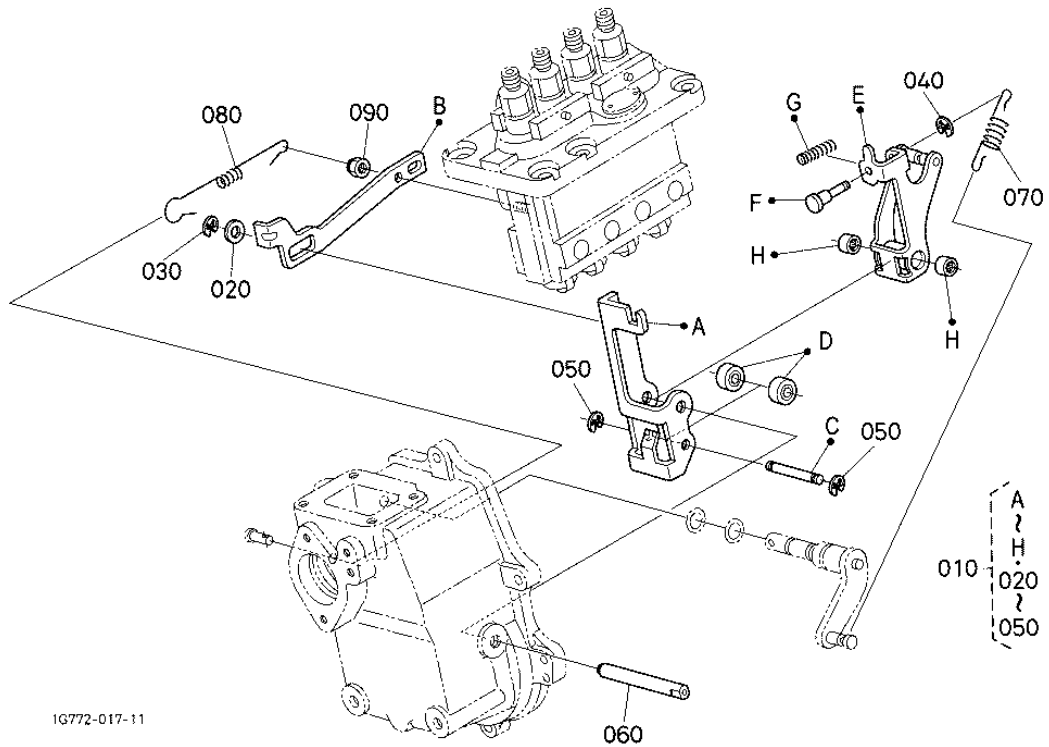
Ref	Part Number	Part Name	Qty	IC	S/N	Lbs	Remarks
010	1C010-56750	COVER GOVERNOR ROD	1			0.015	
020	1G777-55050	ASSY WEIGHT GOVERNOR	1			0.418	
030	02771-50120	NUT FLANGE	1			0.039	
040	1G772-55450	SLEEVE GOVERNOR	1			0.11	
050	1G772-55100	HOUSING GOVERNOR	1			3.718	
060	1G772-56020	ASSY LEVER(GOVERNOR)	1			0.165	
070	04814-10070	O RING	2			0.002	

GOVERNOR [NEW TYPE]

Ref	Part Number	Part Name	Qty	IC	S/N	Lbs	Remarks
080	1G772-57510	SPRING	1			0.033	
090	1G777-57150	LEVER SPEED CONTROL	1			0.116	
100	05411-00416	PIN SPRING	1			0.002	
110	1G772-57700	ASSY LEVER ENG.STOP	1			0.121	
120	04814-10070	O RING	1			0.002	
130	1G772-57920	SPRING RETURN	1			0.011	
140	1G772-57620	LEVER ENGINE STOP	1			0.11	
150	05411-00416	PIN SPRING	1			0.002	
160	15221-56280	PIN START SPRING	1			0.013	
170	1C010-94510	PIN STRAIGHT	1			0.022	
180	15841-91510	STUD	1			0.015	
190	01518-50820	STUD	2			0.026	
200	1C010-55770	GASKET GOV.HOUSING	1			0.002	
210	01754-50618	BOLT FLANGE	6			0.022	
220	1G730-54540	COVER BOOST COM.HOUS	1			0.176	
230	1A021-57212	GASKET PLATE	1			0.002	
240	01754-50612	BOLT FLANGE	3			0.011	
250	02751-50060	NUT FLANGE	1			0.011	
260	15272-67580	CLAMP CORD	1			0.046	

FORK LEVER (GOUVERNOR) [OLD TYPE] ## S.No.;<=8S0030

Figure Num 013240



FORK LEVER (GOUVERNOR) [OLD TYPE]

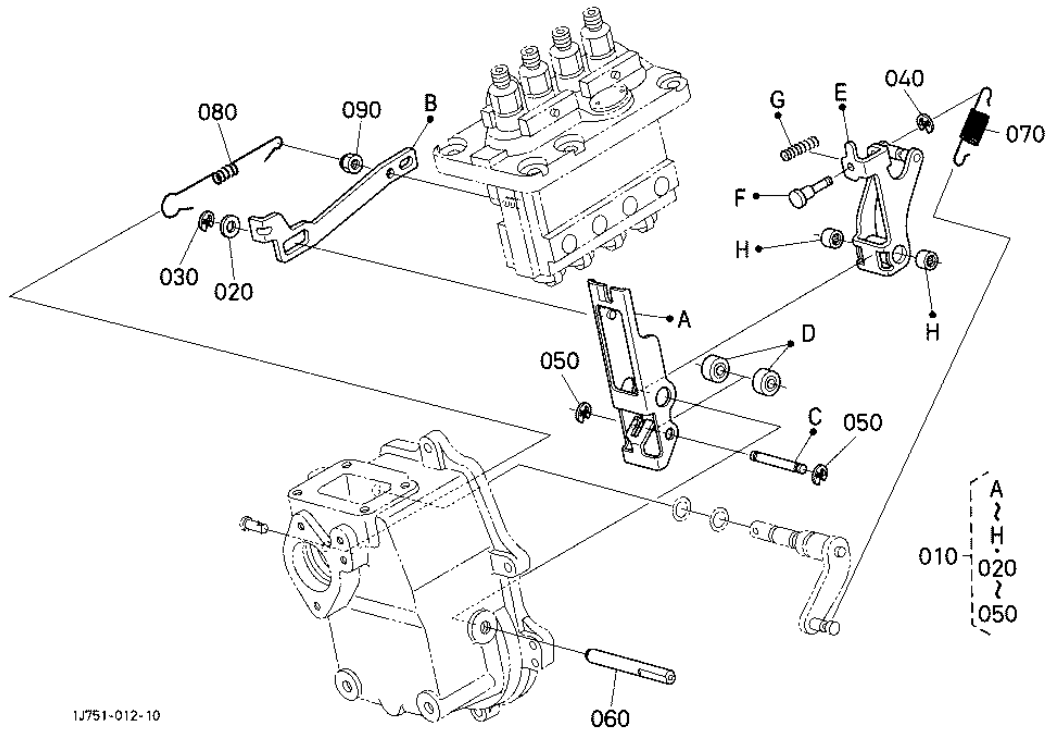
Ref	Part Number	Part Name	Qty	IC	S/N	Lbs	Remarks
010	1G774-56030	ASSY LEVER FORK	1	NI	>=8L0001	0	
010	1G770-56030	ASSY LEVER FORK	1		<=8J1050	0.484	
020	04013-60050	WASHER PLAIN	1			0.002	
030	04613-50040	CIR CLIP EXTERNAL	1			0.002	
040	04613-50030	CIR CLIP EXTERNAL	1			0.002	
050	04613-50050	CIR CLIP EXTERNAL	2			0.002	
060	1G772-56150	SHAFT FORK LEVER	1	>>	>=8L0001	0.055	

FORK LEVER (GOUVERNOR) [OLD TYPE]

Ref	Part Number	Part Name	Qty	IC	S/N	Lbs	Remarks
060	1G772-56150	SHAFT FORK LEVER	1		<=6C1014	0.055	
060	1C010-56150	SHAFT FORK LEVER	1	>>	>=6E0001	0.050	
070	1G774-56414	SPRING GOVERNOR	1	>>	>=6S0001	0.013	ORDER BY REF.No.07
070	1G774-56415	SPRING GOVERNOR	1	>>	>=8C0001	0.013	ORDER BY REF.No.07
070	1G774-56416	SPRING GOVERNOR	1	>>	>=8J0001	0.013	
070	1G774-56417	SPRING GOVERNOR	1	>>	>=8L0001	0.013	
070	1G774-56413	SPRING GOVERNOR	1		<=6Q1016	0	ORDER BY REF.No.07
080	1G772-56483	SPRING START	1		<=8J1050	0.002	
080	1G775-56480	SPRING START	1	>>	>=8L0001	0.002	
090	1C010-92020	NUT LOCK	1			0.002	

FORK LEVER (GOVERNOR) [NEW TYPE]

Figure Num 01324001



1J751-012-10

FORK LEVER (GOVERNOR) [NEW TYPE]

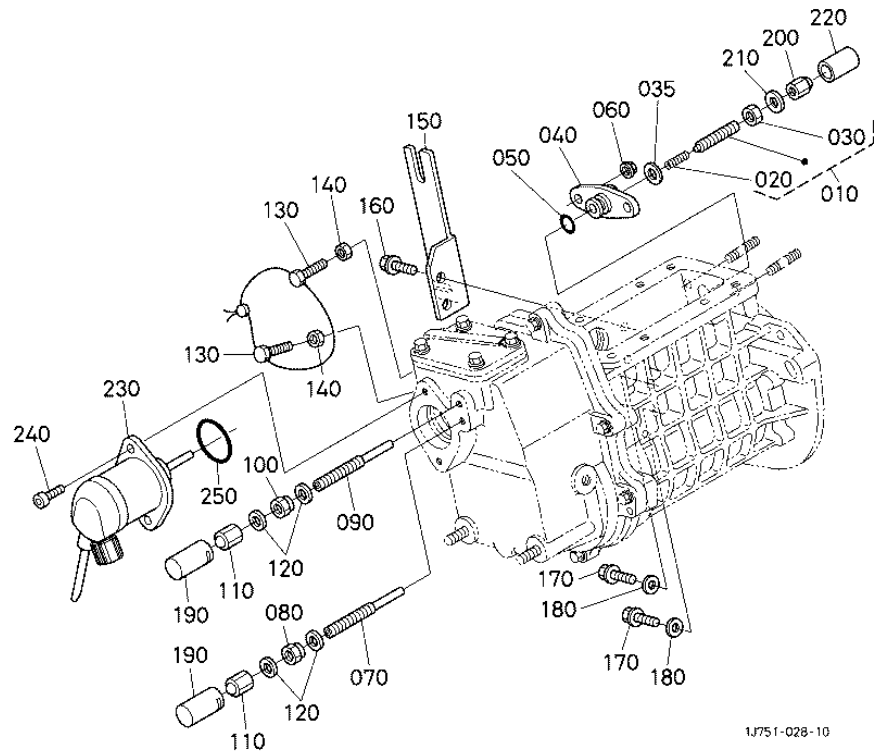
Ref	Part Number	Part Name	Qty	IC	S/N	Lbs	Remarks
010	1G774-56030	ASSY LEVER FORK	1			0	
020	04013-60050	WASHER PLAIN	1			0.002	
030	04613-50040	CIR CLIP EXTERNAL	1			0.002	
040	04613-50030	CIR CLIP EXTERNAL	1			0.002	
050	04613-50050	CIR CLIP EXTERNAL	2			0.002	
060	1G772-56150	SHAFT FORK LEVER	1			0.055	
070	1G776-56413	SPRING GOVERNOR	1			0.013	

FORK LEVER (GOVERNOR) [NEW TYPE]

Ref	Part Number	Part Name	Qty	IC	S/N	Lbs	Remarks
080	1G777-56480	SPRING START	1			0.002	
090	1C010-92020	NUT LOCK	1			0.002	

RESTRICTION ADJUSTING BOLT [OLD TYPE] ## S.No.;<=8S0030

Figure Num 013250



1J751-028-10

RESTRICTION ADJUSTING BOLT [OLD TYPE]

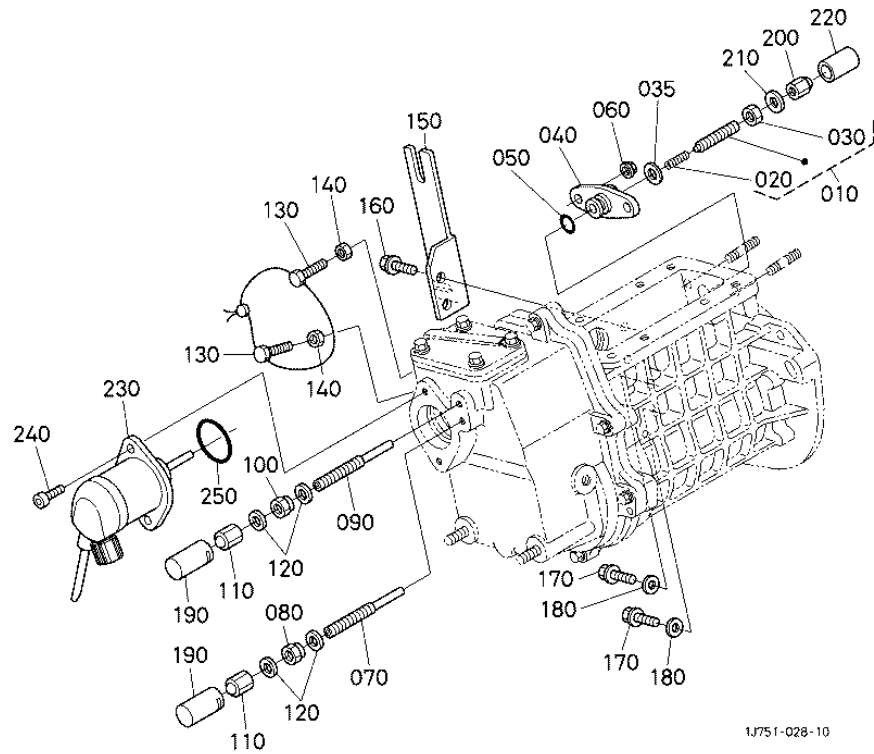
Ref	Part Number	Part Name	Qty	IC	S/N	Lbs	Remarks
010	1G772-54102	ASSY BOLT ADJUSTMENT	1			0.055	
020	1G772-54263	SPRING	1			0.002	
030	15401-92010	NUT	1			0.022	
035	15021-33660	GASKET	1			0.002	
040	1G772-54330	BRACKET ADJ.BOLT	1			0.088	
050	04811-10120	O RING	1			0.002	
060	02751-50060	NUT FLANGE	2			0.011	

RESTRICTION ADJUSTING BOLT [OLD TYPE]

Ref	Part Number	Part Name	Qty	IC	S/N	Lbs	Remarks
070	1G772-54150	BOLT ADJUSTING	1			0.022	
080	1G031-54210	NUT LOCK	1			0.006	
090	1G772-54120	BOLT ADJUSTING	1			0.033	
100	1G031-54210	NUT LOCK	1			0.006	
110	15841-14620	NUT	2	=		0.022	
110	15852-92330	NUT	2			0.011	
120	15601-96650	GASKET	4			0.002	
130	1G772-57390	BOLT IDLING ADJUST	2			0.022	
140	02056-50060	NUT	2			0.004	
150	1G772-57480	BRACKET ACCEL.CABLE	1			0.374	
160	01754-50814	BOLT FLANGE	2			0.011	
170	01754-50814	BOLT FLANGE	2			0.011	
180	15021-33660	GASKET	2			0.002	
190	99999-99999	PIPE LOCK	2			0	
200	15521-92330	NUT	1			0.044	
210	15021-33660	GASKET	1			0.002	
220	15521-54270	CAP	1			0.006	
230	1G772-60010	ASSY SOLENOID	1		<=6W0528	0	
230	1G772-60012	ASSY SOLENOID	1	>>	>=6Y0001	0.638	
240	01311-10614	BOLT HEX-SOC-HD	2			0.011	
250	04814-06310	O RING	1			0.004	

RESTRICTION ADJUSTING BOLT [NEW TYPE]

Figure Num 01325001



1J751-028-10

RESTRICTION ADJUSTING BOLT [OLD TYPE]

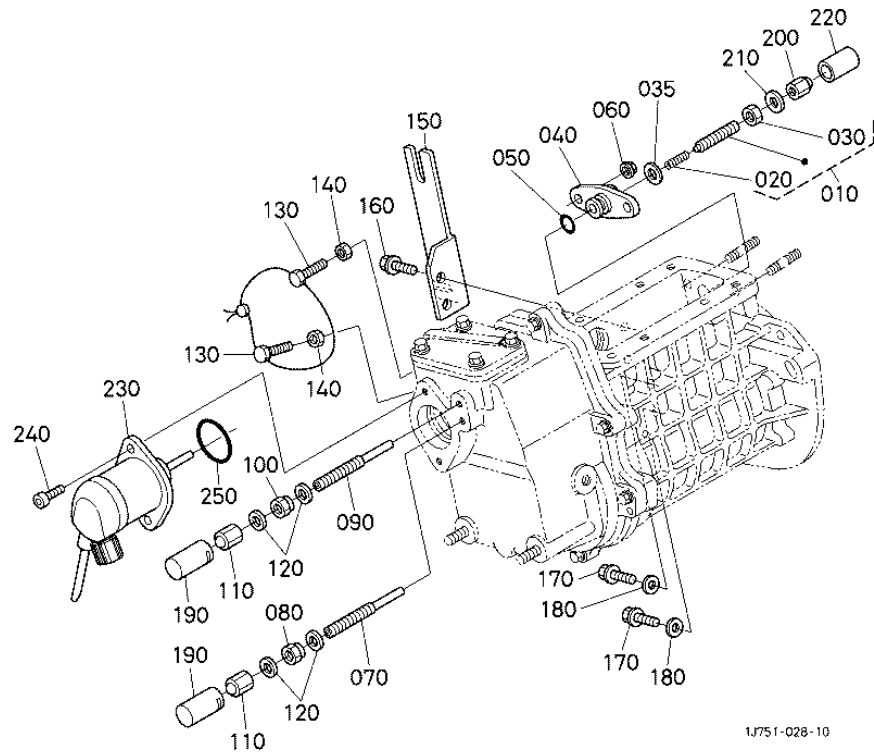
Ref	Part Number	Part Name	Qty	IC	S/N	Lbs	Remarks
010	1G772-54102	ASSY BOLT ADJUSTMENT	1			0.055	
020	1G772-54263	SPRING	1			0.002	
030	15401-92010	NUT	1			0.022	
035	15021-33660	GASKET	1			0.002	
040	1G772-54330	BRACKET ADJ.BOLT	1			0.088	
050	04811-10120	O RING	1			0.002	
060	02751-50060	NUT FLANGE	2			0.011	

RESTRICTION ADJUSTING BOLT [OLD TYPE]

Ref	Part Number	Part Name	Qty	IC	S/N	Lbs	Remarks
070	1G772-54150	BOLT ADJUSTING	1			0.022	
080	1G031-54210	NUT LOCK	1			0.006	
090	1G772-54120	BOLT ADJUSTING	1			0.033	
100	1G031-54210	NUT LOCK	1			0.006	
110	15841-14620	NUT	2	=		0.022	
110	15852-92330	NUT	2			0.011	
120	15601-96650	GASKET	4			0.002	
130	1G772-57390	BOLT IDLING ADJUST	2			0.022	
140	02056-50060	NUT	2			0.004	
150	1G772-57480	BRACKET ACCEL.CABLE	1			0.374	
160	01754-50814	BOLT FLANGE	2			0.011	
170	01754-50814	BOLT FLANGE	2			0.011	
180	15021-33660	GASKET	2			0.002	
190	99999-99999	PIPE LOCK	2			0	
200	15521-92330	NUT	1			0.044	
210	15021-33660	GASKET	1			0.002	
220	15521-54270	CAP	1			0.006	
230	1G772-60010	ASSY SOLENOID	1		<=6W0528	0	
230	1G772-60012	ASSY SOLENOID	1	>>	>=6Y0001	0.638	
240	01311-10614	BOLT HEX-SOC-HD	2			0.011	
250	04814-06310	O RING	1			0.004	

RESTRICTION ADJUSTING BOLT [NEW TYPE]

Figure Num 01325001



1J751-028-10

RESTRICTION ADJUSTING BOLT [NEW TYPE]

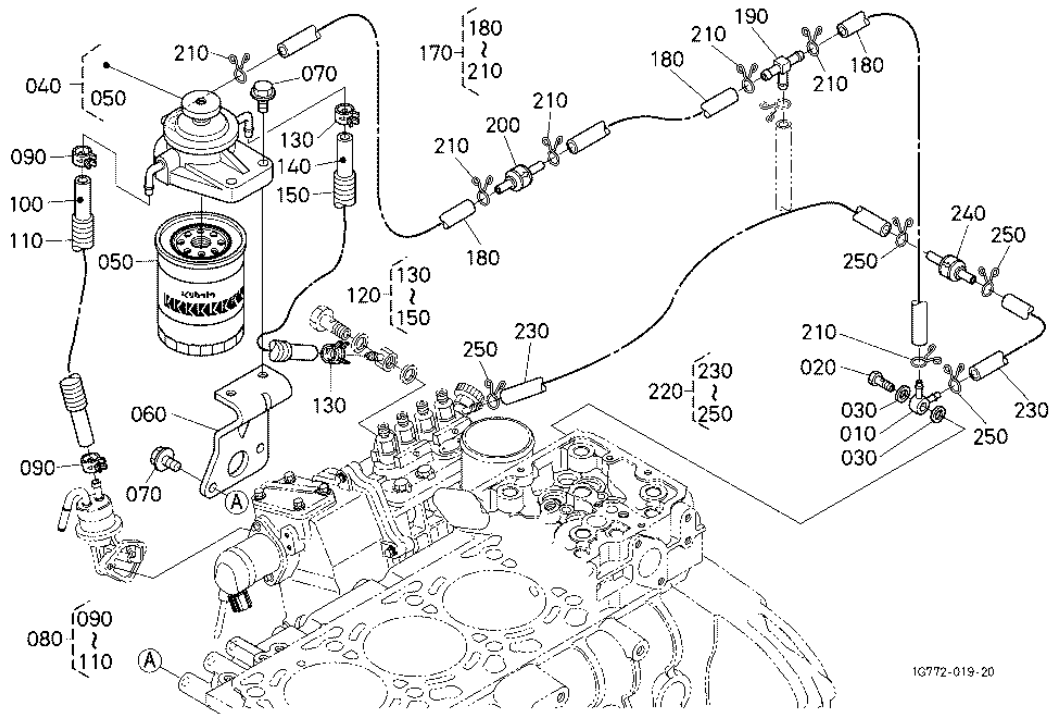
Ref	Part Number	Part Name	Qty	IC	S/N	Lbs	Remarks
010	1G776-54102	ASSY BOLT ADJUSTMENT	1			0.039	
020	1G776-54260	SPRING	1			0.002	
030	15401-92010	NUT	1			0.022	
035	15021-33660	GASKET	1			0.002	
040	1G772-54330	BRACKET ADJ.BOLT	1			0.088	
050	04811-10120	O RING	1			0.002	
060	02751-50060	NUT FLANGE	2			0.011	

RESTRICTION ADJUSTING BOLT [NEW TYPE]

Ref	Part Number	Part Name	Qty	IC	S/N	Lbs	Remarks
070	1G772-54150	BOLT ADJUSTING	1			0.022	
080	1G031-54210	NUT LOCK	1			0.006	
090	1G772-54120	BOLT ADJUSTING	1			0.033	
100	1G031-54210	NUT LOCK	1			0.006	
110	15841-14620	NUT	2			0.022	
120	15601-96650	GASKET	4			0.002	
130	1G772-57390	BOLT IDLING ADJUST	2			0.022	
140	02056-50060	NUT	2			0.004	
150	1J751-57480	BRACKET ACCEL.CABLE	1			0.365	
160	01754-50814	BOLT FLANGE	2			0.011	
170	01754-50814	BOLT FLANGE	2			0.011	
180	15021-33660	GASKET	2			0.002	
190	99999-99999	PIPE LOCK	2			0	
200	15521-92330	NUT	1			0.044	
210	15021-33660	GASKET	1			0.002	
220	15521-54270	CAP	1			0.006	
230	1G772-60012	ASSY SOLENOID	1			0.638	
240	01311-10614	BOLT HEX-SOC-HD	2			0.011	
250	04814-06310	O RING	1			0.004	

FUEL FILTER [OLD TYPE] ## S.No.;<=8S0030

Figure Num 01331001



FUEL FILTER [OLD TYPE]

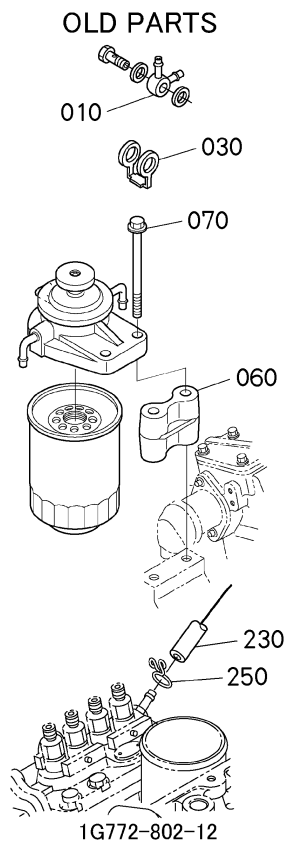
Ref	Part Number	Part Name	Qty	IC	S/N	Lbs	Remarks
010	1J700-95690	JOINT	1	>>	>=8Q0001	0	
010	1G772-95690	JOINT	1		<=8N1300	0.026	
020	15471-95790	BOLT EYE JOINT	1			0.044	
030	1G772-33660	GASKET	1			0.002	
030	15021-33660	GASKET	2	=		0.002	
040	1G772-43010	ASSY FILTER FUEL	1			1.76	
050	1G772-43560	ELEMENT FUEL FILTER	1			0.924	

FUEL FILTER [OLD TYPE]

Ref	Part Number	Part Name	Qty	IC	S/N	Lbs	Remarks
050	HH1G0-43560	ELEMENT FUEL FILTER	1	>>		0.924	
060	1G772-43780	COLLAR FUEL FILTER	1		<=7L1056	0.176	
060	1G772-43430	BRACKET FUEL FILTER	1	NI	>=7N0001	0.88	
070	01755-50865	BOLT FLANGE	2		<=7L1056	0.066	
070	01754-50820	BOLT FLANGE	4	NI	>=7N0001	0.033	
080	3C001-04050	ASSY TUBE FUEL	1			0.165	
090	14911-42750	CLIP PIPE	2			0.004	
100	09661-70525	TUBE FUEL	1			0.154	
110	3C001-04070	TUBE	1			0.033	
120	3C001-04060	ASSY TUBE FUEL	1			0.11	
130	14911-42750	CLIP PIPE	2			0.004	
140	09661-70340	TUBE FUEL	1			0.088	
150	3C001-04080	TUBE	1			0.022	
170	1G772-42000	ASSY TUBE FUEL	1			0.077	
180	09661-40170	TUBE FUEL	3			0.019	
190	1G065-42360	JOINT T-PIPE	1			0.002	
200	1C010-42460	VALVE FUEL CHECK	1			0.013	
210	14971-42750	CLIP PIPE	6			0.002	
220	1G770-42000	ASSY TUBE FUEL	1			0.026	
230	09661-40070	TUBE FUEL	2			0.006	
240	1C010-42460	VALVE FUEL CHECK	1			0.013	
250	14971-42750	CLIP PIPE	4			0.002	

FUEL FILTER [OLD TYPE] ## S.No.;<=8S0030

Figure Num 01331001



FUEL FILTER [OLD TYPE]

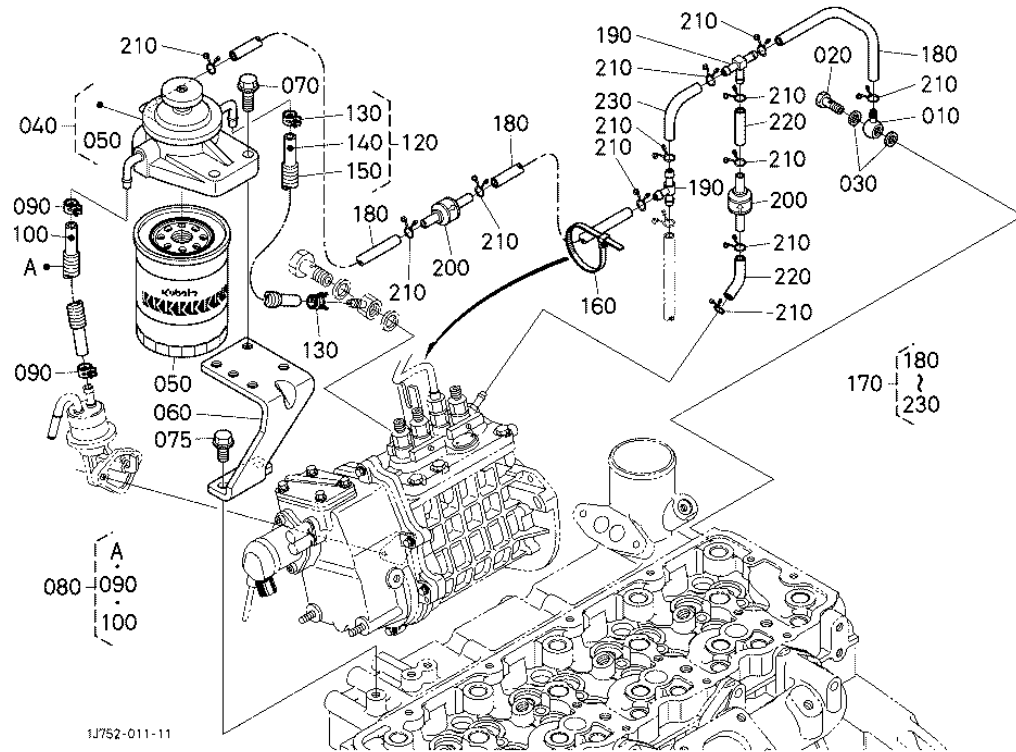
Ref	Part Number	Part Name	Qty	IC	S/N	Lbs	Remarks
010	1J700-95690	JOINT	1	>>	>=8Q0001	0	
010	1G772-95690	JOINT	1		<=8N1300	0.026	
030	15021-33660	GASKET	2	=		0.002	
030	1G772-33660	GASKET	1			0.002	
060	1G772-43430	BRACKET FUEL FILTER	1	NI	>=7N0001	0.88	
060	1G772-43780	COLLAR FUEL FILTER	1		<=7L1056	0.176	
070	01754-50820	BOLT FLANGE	4	NI	>=7N0001	0.033	

FUEL FILTER [OLD TYPE]

Ref	Part Number	Part Name	Qty	IC	S/N	Lbs	Remarks
070	01755-50865	BOLT FLANGE	2		<=7L1056	0.066	
230	09661-40070	TUBE FUEL	2			0.006	
250	14971-42750	CLIP PIPE	4			0.002	

FUEL FILTER [NEW TYPE]

Figure Num 01331003



FUEL FILTER [NEW TYPE]

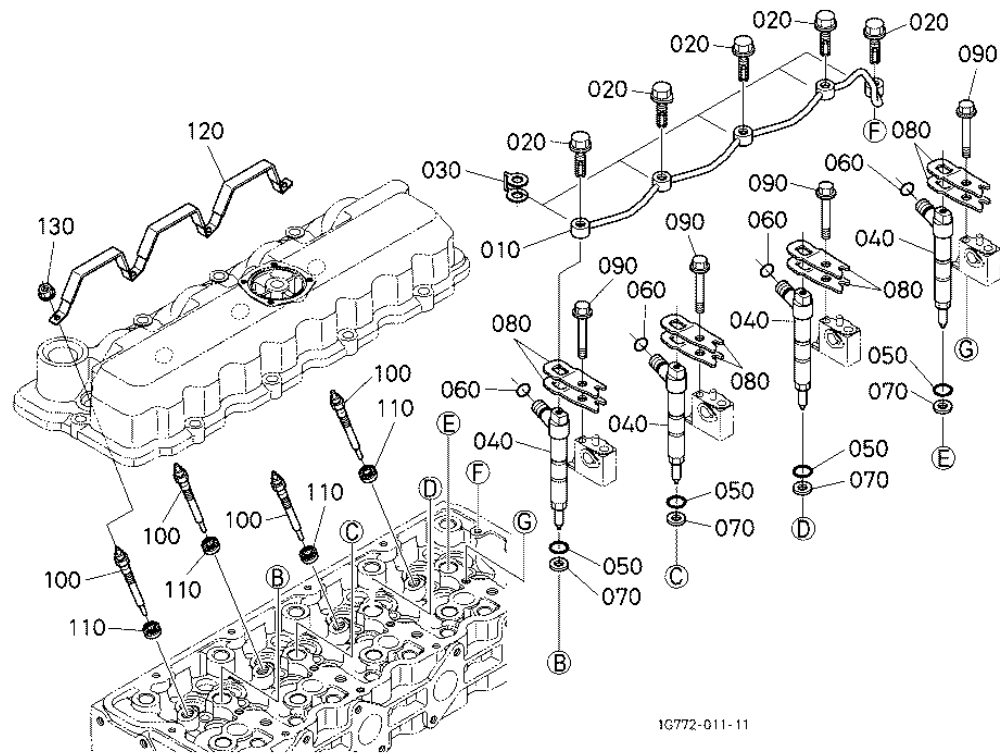
Ref	Part Number	Part Name	Qty	IC	S/N	Lbs	Remarks
010	14117-42560	JOINT PIPE	1			0.015	
020	15471-95790	BOLT EYE JOINT	1			0.044	
030	15021-33660	GASKET	2			0.002	
040	1G772-43010	ASSY FILTER FUEL	1			1.76	
050	HH1G0-43560	ELEMENT FUEL FILTER	1			0.924	
060	1J751-43430	BRACKET FUEL FILTER	1			1.038	
070	01754-50820	BOLT FLANGE	2			0.033	

FUEL FILTER [NEW TYPE]

Ref	Part Number	Part Name	Qty	IC	S/N	Lbs	Remarks
075	01754-50816	BOLT FLANGE	2			0.024	
080	3C002-04050	ASSY TUBE FUEL	1			0	
090	14911-42750	CLIP PIPE	2			0.004	
100	09661-70600	TUBE FUEL	1			0.154	
120	3C001-04060	ASSY TUBE FUEL	1			0.11	
130	14911-42750	CLIP PIPE	2			0.004	
140	09661-70340	TUBE FUEL	1			0.088	
150	3C001-04080	TUBE	1			0.022	
160	53581-64150	BAND CORD	1			0.004	
170	3C254-04400	ASSY TUBE FUEL	1			0	
180	09661-40170	TUBE FUEL	3			0.019	
190	1G065-42360	JOINT T-PIPE	2			0.002	
200	1C010-42460	VALVE FUEL CHECK	2			0.013	
210	14971-42750	CLIP PIPE	12			0.002	
220	09661-40035	TUBE FUEL	2			0.004	
230	09661-40070	TUBE FUEL	1			0.006	

NOZZLE HOLDER AND GLOW PLUG [OLD TYPE] ## S.No.;<=8S0030

Figure Num 013400



NOZZLE HOLDER AND GLOW PLUG [OLD TYPE]

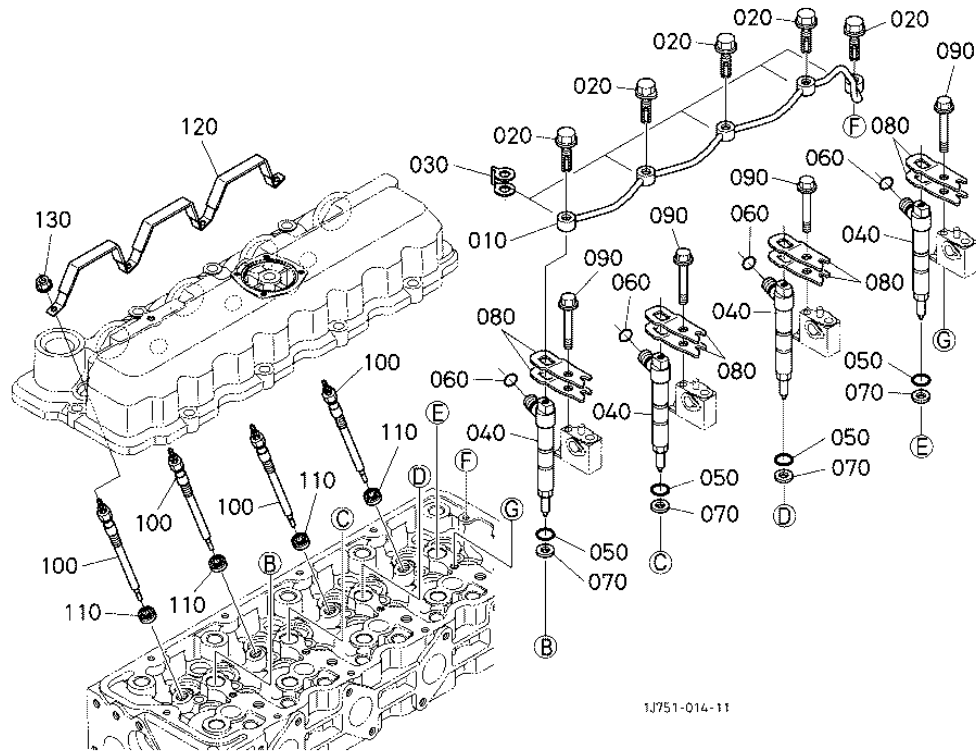
Ref	Part Number	Part Name	Qty	IC	S/N	Lbs	Remarks
010	1G772-42500	ASSY PIPE OVER FLOW	1			0.11	
020	1C020-95810	BOLT EYE JOINT	5			0.011	
030	1C020-96730	GASKET	5			0.002	
040	1G772-53000	ASSY HOLDER NOZZLE	4			0.55	
050	1G772-53490	O RING	4			0.002	
060	04814-05110	O RING	4			0.004	
070	1G796-53620	GASKET	4			0.002	

NOZZLE HOLDER AND GLOW PLUG [OLD TYPE]

Ref	Part Number	Part Name	Qty	IC	S/N	Lbs	Remarks
080	1G772-53450	CLAMP INJ.NOZZLE	8			0.077	
090	01754-50860	BOLT FLANGE	4			0.066	
100	1G777-65510	GLOW PLUG	4	=		0.077	
100	1G772-65510	GLOW PLUG	4			0.077	
110	1G772-65500	SEAL GLOW PLUG	4			0.008	
120	1G772-65560	CORD GLOW PLUG	1			0.096	
130	02761-50040	NUT FLANGE	4			0.004	

NOZZLE HOLDER AND GLOW PLUG [NEW TYPE]

Figure Num 01340001



NOZZLE HOLDER AND GLOW PLUG [NEW TYPE]

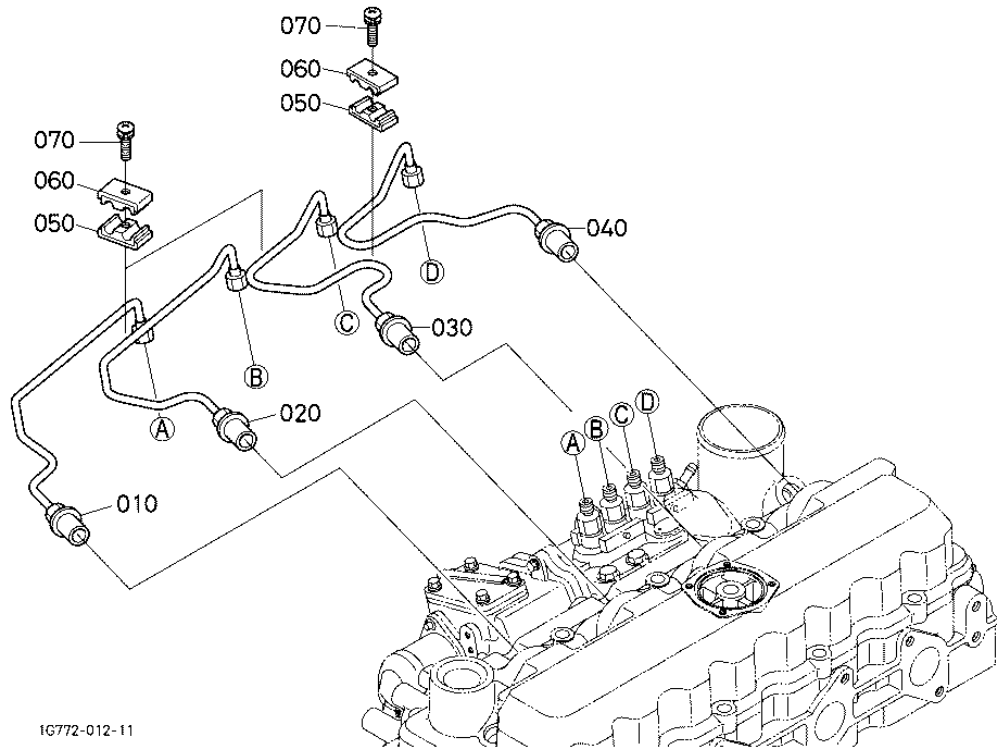
Ref	Part Number	Part Name	Qty	IC	S/N	Lbs	Remarks
010	1G772-42500	ASSY PIPE OVER FLOW	1			0.11	
020	1C020-95810	BOLT EYE JOINT	5			0.011	
030	1C020-96730	GASKET	5			0.002	
040	1G776-53960	KIT HOLDER NOZZLE	4			0	
050	1G772-53490	O RING	4			0.002	
060	04814-05110	O RING	4			0.004	
070	1G796-53620	GASKET	4			0.002	

NOZZLE HOLDER AND GLOW PLUG [NEW TYPE]

Ref	Part Number	Part Name	Qty	IC	S/N	Lbs	Remarks
080	1G772-53450	CLAMP INJ.NOZZLE	8			0.077	
090	01754-50860	BOLT FLANGE	4			0.066	
100	1G777-65510	GLOW PLUG	4			0.077	
110	1G772-65500	SEAL GLOW PLUG	4			0.008	
120	1G772-65560	CORD GLOW PLUG	1			0.096	
130	02761-50040	NUT FLANGE	4			0.004	

INJECTION PIPE [OLD TYPE] ## S.No.;<=8S0030

Figure Num 013450

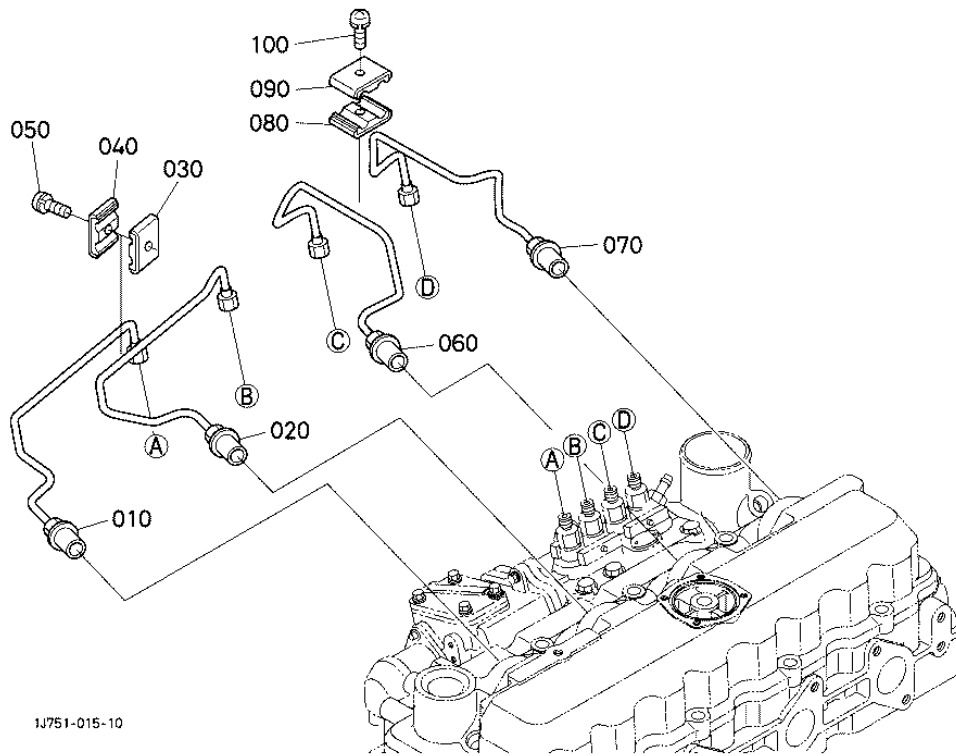


INJECTION PIPE [OLD TYPE]

Ref	Part Number	Part Name	Qty	IC	S/N	Lbs	Remarks
010	1G772-53710	PIPE INJECTION	1			0.352	
020	1G772-53720	PIPE INJECTION	1			0.352	
030	1G772-53730	PIPE INJECTION	1			0.352	
040	1G772-53740	PIPE INJECTION	1			0.352	
050	15841-53850	CLAMP PIPE	3			0.017	
060	15841-53860	CLAMP PIPE	3			0.017	
070	03024-50520	SCREW WITH WASHER	3			0.008	

INJECTION PIPE [NEW TYPE]

Figure Num 01345001



1J751-015-10

INJECTION PIPE [NEW TYPE]

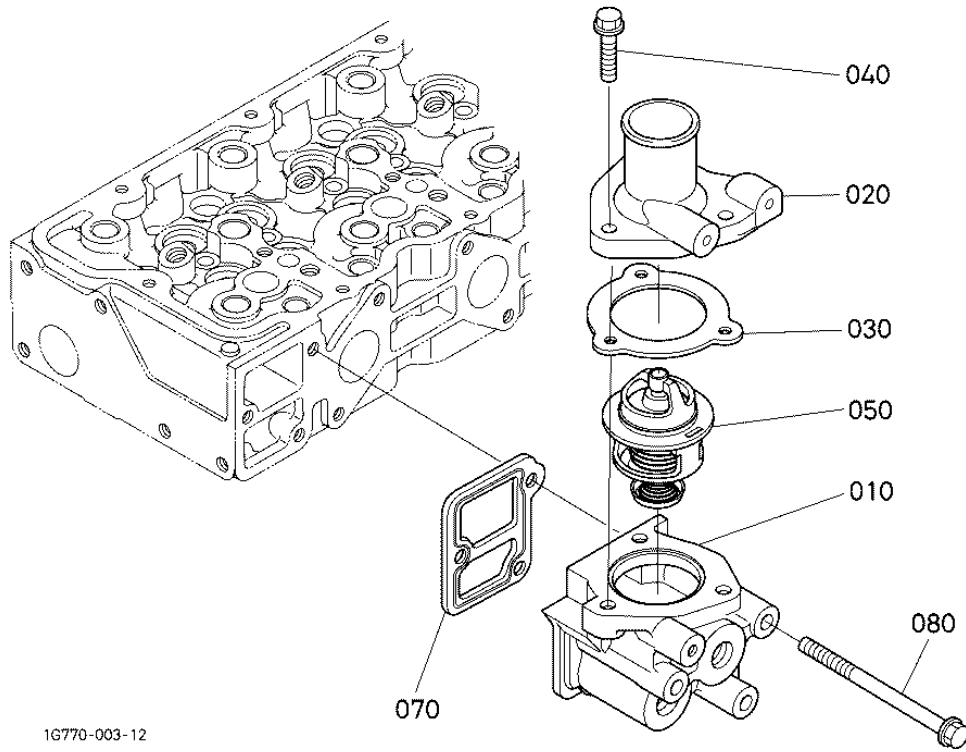
Ref	Part Number	Part Name	Qty	IC	S/N	Lbs	Remarks
010	1G777-53710	PIPE INJECTION	1			0.33	
020	1G777-53720	PIPE INJECTION	1			0.341	
030	15841-53850	CLAMP PIPE	1			0.017	
040	15841-53860	CLAMP PIPE	1			0.017	
050	03024-50520	SCREW WITH WASHER	1			0.008	
060	1G777-53730	PIPE INJECTION	1			0.341	
070	1G777-53740	PIPE INJECTION	1			0.341	

INJECTION PIPE [NEW TYPE]

Ref	Part Number	Part Name	Qty	IC	S/N	Lbs	Remarks
080	15841-53850	CLAMP PIPE	1			0.017	
090	15841-53860	CLAMP PIPE	1			0.017	
100	03024-50520	SCREW WITH WASHER	1			0.008	

WATER FLANGE AND THERMOSTAT [OLD TYPE] ## S.No.;<=8S0030

Figure Num 013600



WATER FLANGE AND THERMOSTAT [OLD TYPE]

Ref	Part Number	Part Name	Qty	IC	S/N	Lbs	Remarks
010	1G772-72913	FLANGE WATER	1			0.946	
020	1G772-73260	COVER THERMOSTAT	1			0.352	
030	1G772-73270	GASKET	1	=		0	
030	1C010-73270	GASKET	1			0.008	
040	01754-50825	BOLT FLANGE	3			0.022	
050	1C011-73010	ASSY THERMOSTAT	1			0.019	
070	1G772-72820	GASKET WATER FLANGE	1			0.022	

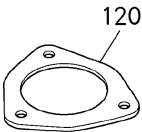
WATER FLANGE AND THERMOSTAT [OLD TYPE]

Ref	Part Number	Part Name	Qty	IC	S/N	Lbs	Remarks
080	01755-50890	BOLT FLANGE	3			0.088	

WATER FLANGE AND THERMOSTAT [OLD TYPE] ## S.No.;<=8S0030

Figure Num 013600

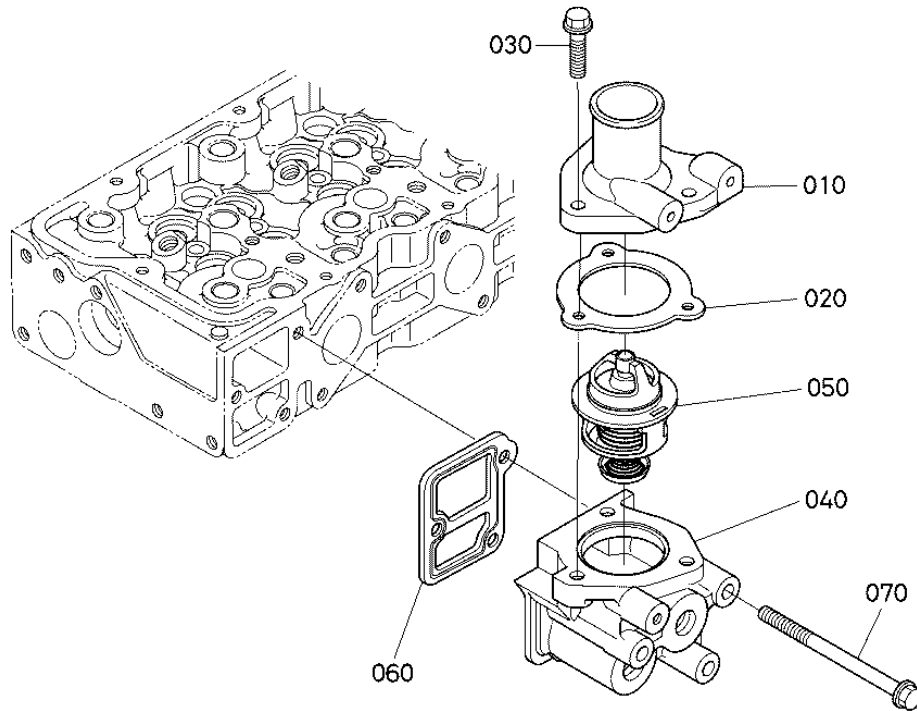
OLD PARTS



1J752-801-20

WATER FLANGE AND THERMOSTAT [NEW TYPE]

Figure Num 01360001



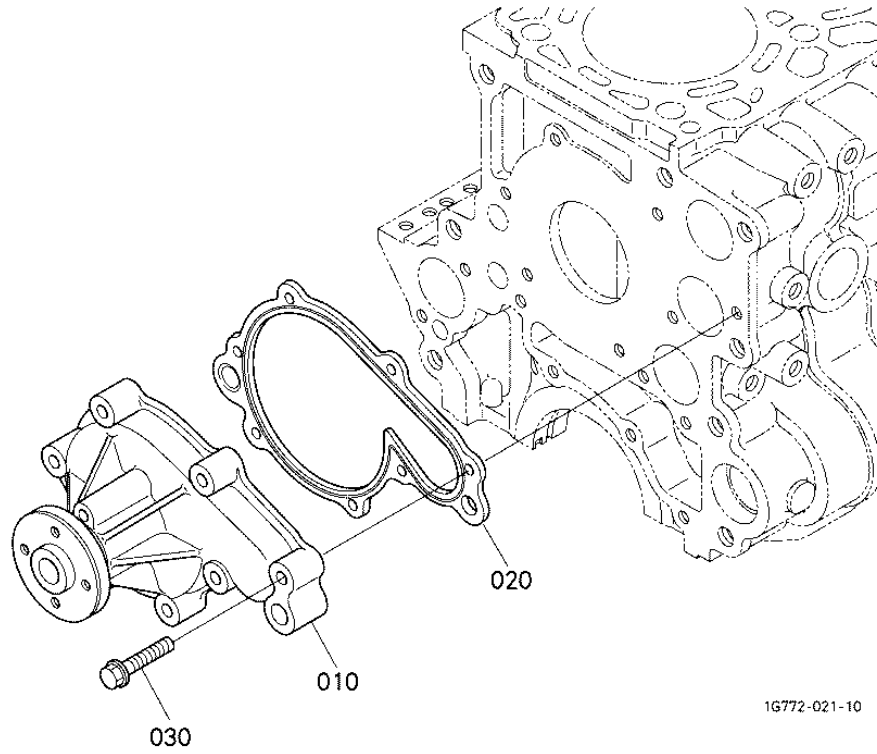
1J752-002-11

WATER FLANGE AND THERMOSTAT [NEW TYPE]

Ref	Part Number	Part Name	Qty	IC	S/N	Lbs	Remarks
010	1G772-73260	COVER THERMOSTAT	1			0.352	
020	1G772-73270	GASKET	1			0	
030	01754-50825	BOLT FLANGE	3			0.022	
040	1G772-72913	FLANGE WATER	1			0.946	
050	1C011-73010	ASSY THERMOSTAT	1			0.019	
060	1G772-72820	GASKET WATER FLANGE	1			0.022	
070	01755-50890	BOLT FLANGE	3			0.088	

WATER PUMP

Figure Num 013610



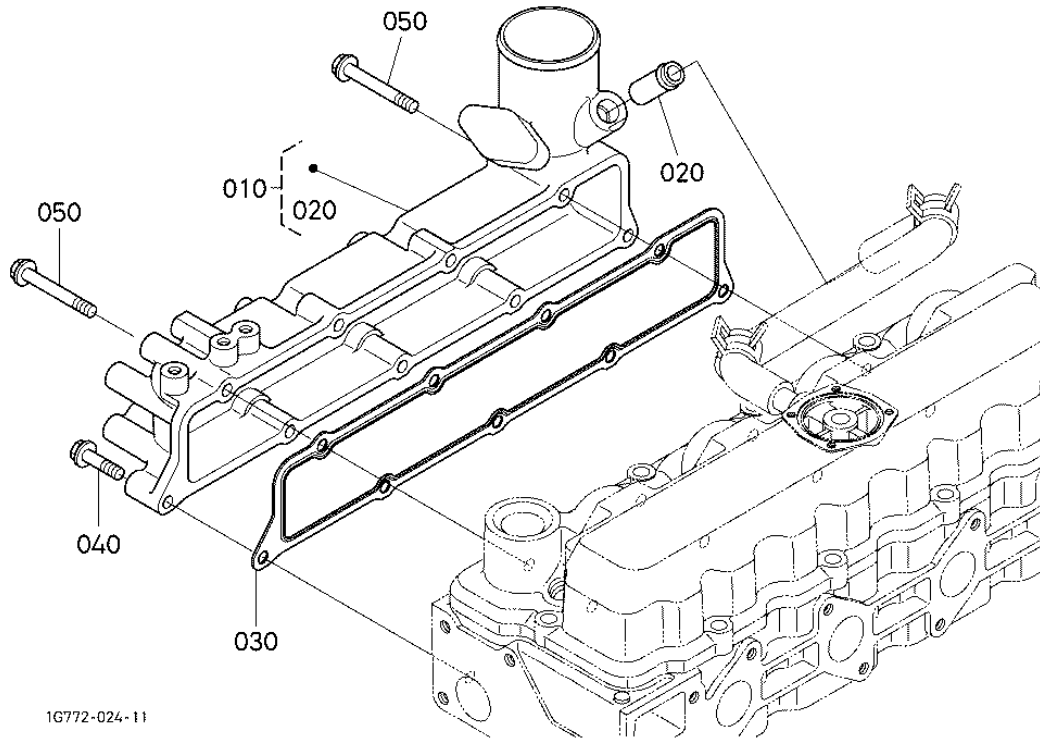
1G772-021-10

WATER PUMP

Ref	Part Number	Part Name	Qty	IC	S/N	Lbs	Remarks
010	1G772-73032	ASSY PUMP WATER	1	>>	>=8C0001	2.398	
010	1G772-73030	ASSY PUMP WATER	1		<=8A0001	0	
020	1G772-73430	GASKET WATER PUMP	1			0.026	
030	01754-50840	BOLT FLANGE	7			0.044	

INLET MANIFOLD [OLD TYPE] ## S.No.;<=8S0030

Figure Num 013710



16772-024-11

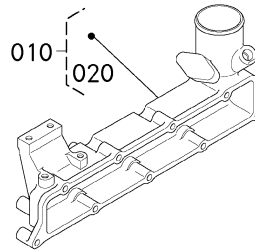
INLET MANIFOLD [OLD TYPE]

Ref	Part Number	Part Name	Qty	IC	S/N	Lbs	Remarks
010	1G772-11772	ASSY MANIFOLD INLET	1	NI	>=7N0001	2.926	
010	1G772-11770	ASSY MANIFOLD INLET	1		<=7L1056	2.926	
020	16241-05550	JOINT BREATHER PIPE	1			0.044	
030	1G772-11820	GASKET IN-MANIFOLD	1			0.044	
040	01754-50840	BOLT FLANGE	7			0.044	
050	01755-50880	BOLT FLANGE	2			0.077	

INLET MANIFOLD [OLD TYPE] ## S.No.;<=8S0030

Figure Num 013710

OLD PARTS



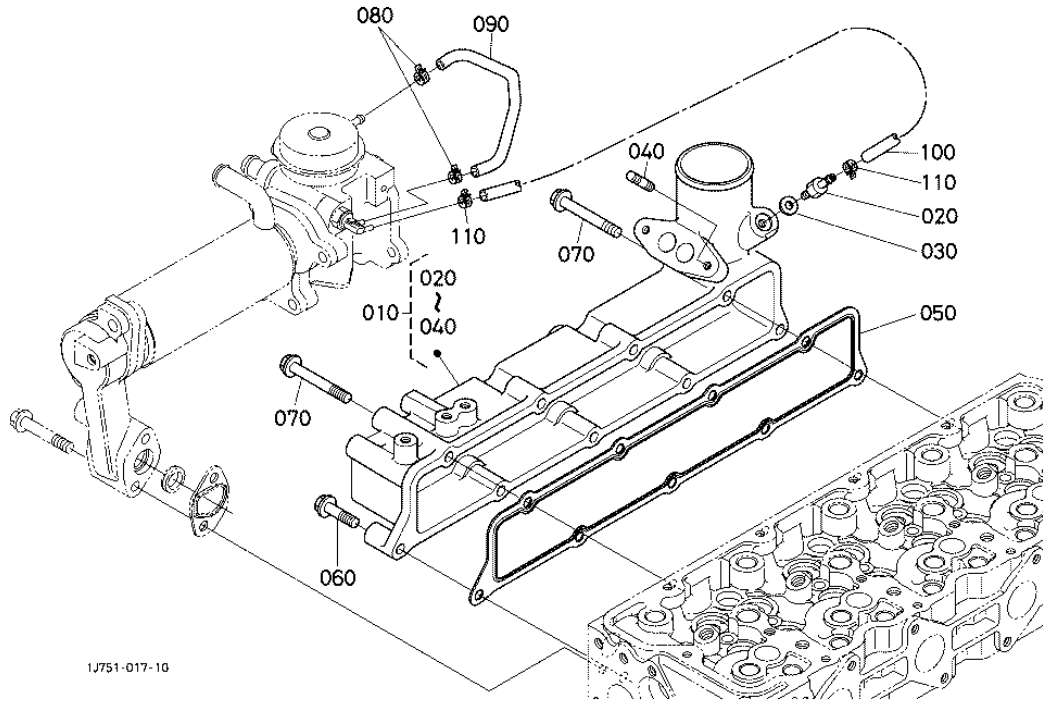
1G772-806-10

INLET MANIFOLD [OLD TYPE]

Ref	Part Number	Part Name	Qty	IC	S/N	Lbs	Remarks
010	1G772-11772	ASSY MANIFOLD INLET	1	NI	>=7N0001	2.926	
010	1G772-11770	ASSY MANIFOLD INLET	1		<=7L1056	2.926	

INLET MANIFOLD [NEW TYPE]

Figure Num 01371001



1J751-017-10

INLET MANIFOLD [NEW TYPE]

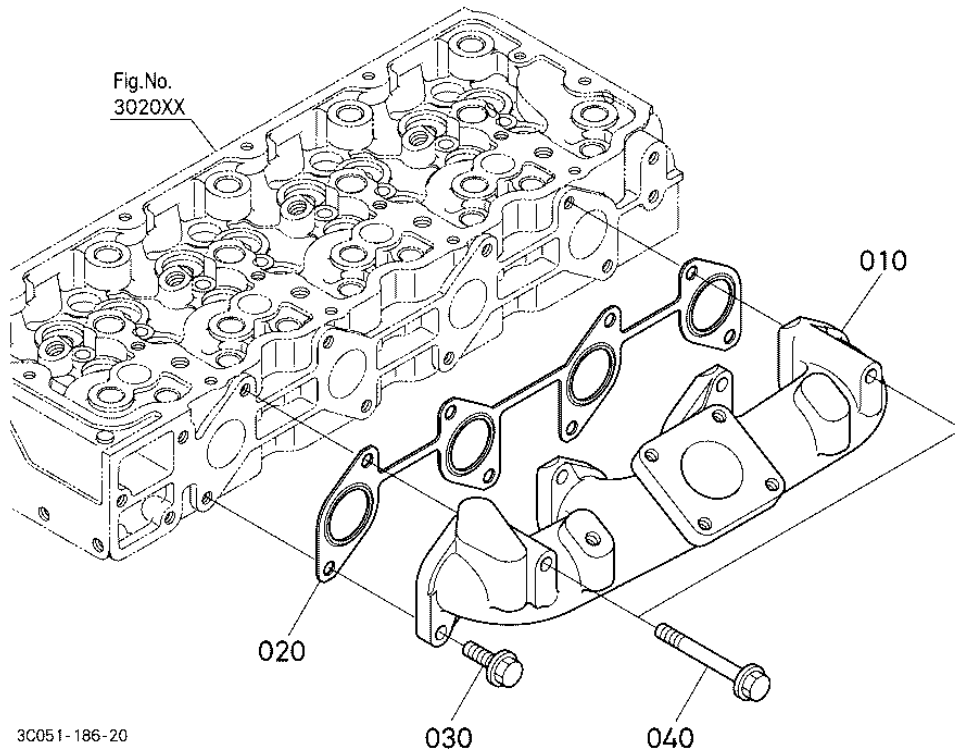
Ref	Part Number	Part Name	Qty	IC	S/N	Lbs	Remarks
010	1G777-11773	ASSY MANIFOLD INLET	1			0	
020	15841-51360	SCREW AIR BLEEDER	1			0.017	
030	15601-96650	GASKET	1			0.002	
040	01513-60820	STUD	2			0.033	
050	1G772-11820	GASKET IN-MANIFOLD	1			0.044	
060	01754-50840	BOLT FLANGE	7			0.044	
070	01755-50880	BOLT FLANGE	2			0.077	

INLET MANIFOLD [NEW TYPE]

Ref	Part Number	Part Name	Qty	IC	S/N	Lbs	Remarks
080	16241-42320	BAND PIPE	2			0.011	
090	1G777-73880	PIPE BOOST	1			0.022	
100	1G777-73890	PIPE BOOST	1			0.030	
110	16241-42320	BAND PIPE	2			0.011	

EXHAUST MANIFOLD [OLD TYPE] ## S.No.;<=54787

Figure Num 013720

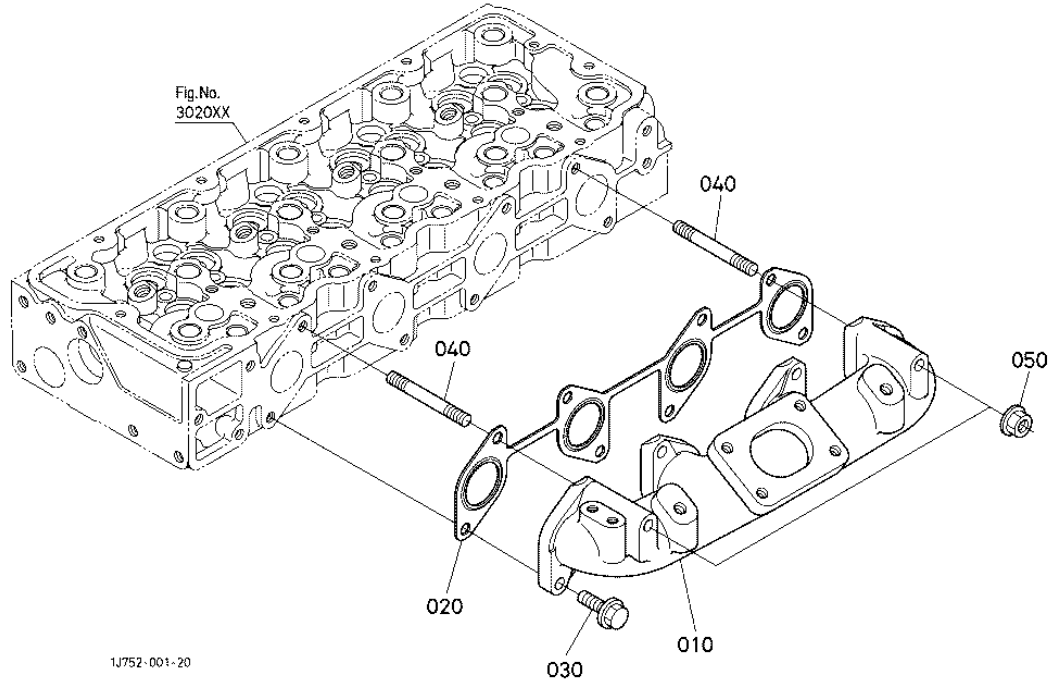


EXHAUST MANIFOLD [OLD TYPE]

Ref	Part Number	Part Name	Qty	IC	S/N	Lbs	Remarks
010	1G772-12310	MANIFOLD EXHAUST	1			7.26	
020	1G772-12350	GASKET EX-MANIFOLD	1			0.033	
030	01754-50820	BOLT FLANGE	6			0.033	
040	01754-50870	BOLT FLANGE	2			0.061	

EXHAUST MANIFOLD [NEW TYPE] ## S.No.;>=80001

Figure Num 01372001

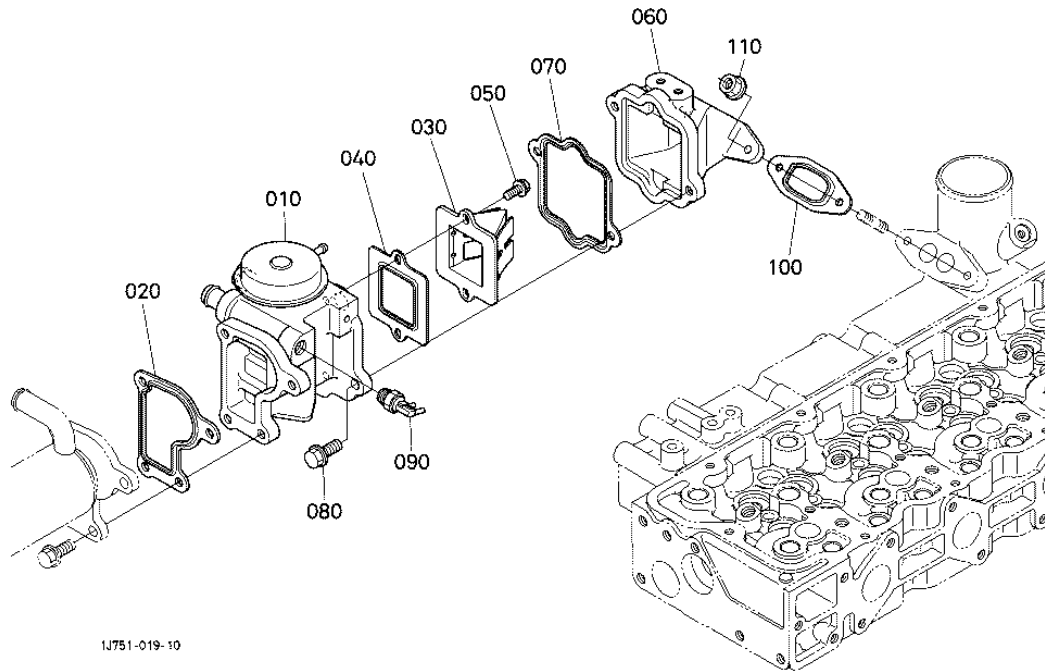


EXHAUST MANIFOLD [NEW TYPE]

Ref	Part Number	Part Name	Qty	IC	S/N	Lbs	Remarks
010	1J750-12310	MANIFOLD EXHAUST	1			6.248	
020	1G772-12350	GASKET EX-MANIFOLD	1			0.033	
030	1G777-91010	BOLT FLANGE	6			0	
040	1G777-91510	STUD	2			0	
050	02751-50080	NUT FLANGE	2			0.013	

EGR VALVE AND EGR COOLER [NEW TYPE]

Figure Num 013722



1J751-019-10

EGR VALVE AND EGR COOLER [NEW TYPE]

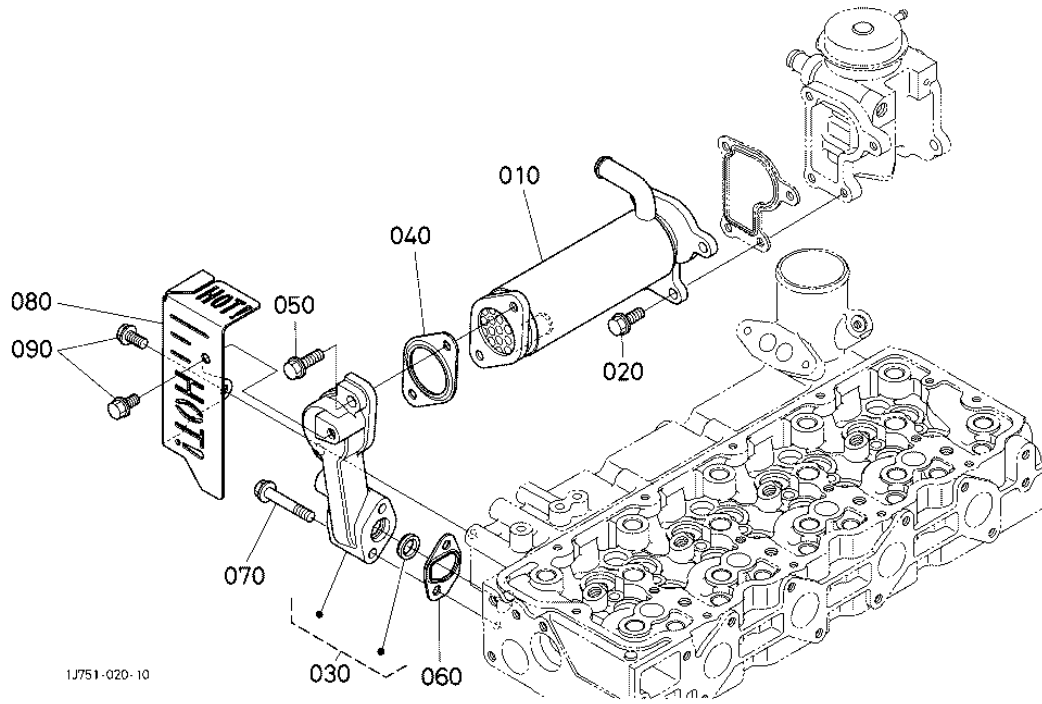
Ref	Part Number	Part Name	Qty	IC	S/N	Lbs	Remarks
010	1J750-62702	ASSY VALVE EGR	1			2.008	
020	1G777-17410	GASKET EGR VALVE	1			0.008	
030	1J574-13710	VALVE LEAD	1			0	
040	1G777-13730	GASKET REED VALVE	1			0.011	
050	01754-50614	BOLT FLANGE	2			0.011	
060	1G777-17352	HOUSING	1			0.523	
070	1G777-17420	GASKET EGR VALVE	1			0.008	

EGR VALVE AND EGR COOLER [NEW TYPE]

Ref	Part Number	Part Name	Qty	IC	S/N	Lbs	Remarks
080	01754-50820	BOLT FLANGE	2			0.033	
090	1J860-73090	VALVE THERMO.	1			0.055	
100	1G777-17380	GASKET INLET	1			0.004	
110	02751-50080	NUT FLANGE	2			0.013	

EGR COOLER [NEW TYPE]

Figure Num 013723



1J751-020-10

EGR COOLER [NEW TYPE]

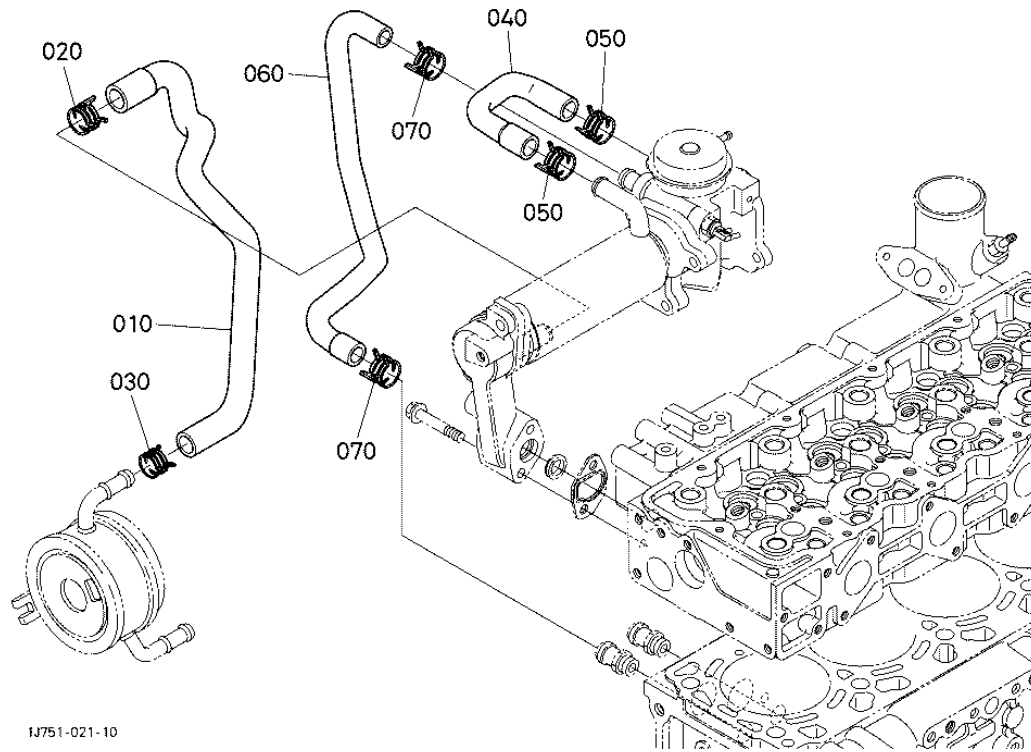
Ref	Part Number	Part Name	Qty	IC	S/N	Lbs	Remarks
010	1G777-71410	ASSY COOLER EGR	1			2.42	
020	01754-50820	BOLT FLANGE	4			0.033	
030	1G776-17283	COMP.BASE EGR	1			0	
040	1G777-17430	GASKET EGR COOLER	1			0.008	
050	01754-50825	BOLT FLANGE	2			0.022	
060	1G777-17440	GASKET EGR BASE	1			0.004	
070	01754-50850	BOLT FLANGE	2			0.048	

EGR COOLER [NEW TYPE]

Ref	Part Number	Part Name	Qty	IC	S/N	Lbs	Remarks
080	1J751-17360	COVER BASE	1			0	
090	01754-50816	BOLT FLANGE	2			0.024	

EGR WATER PIPING [NEW TYPE]

Figure Num 013725



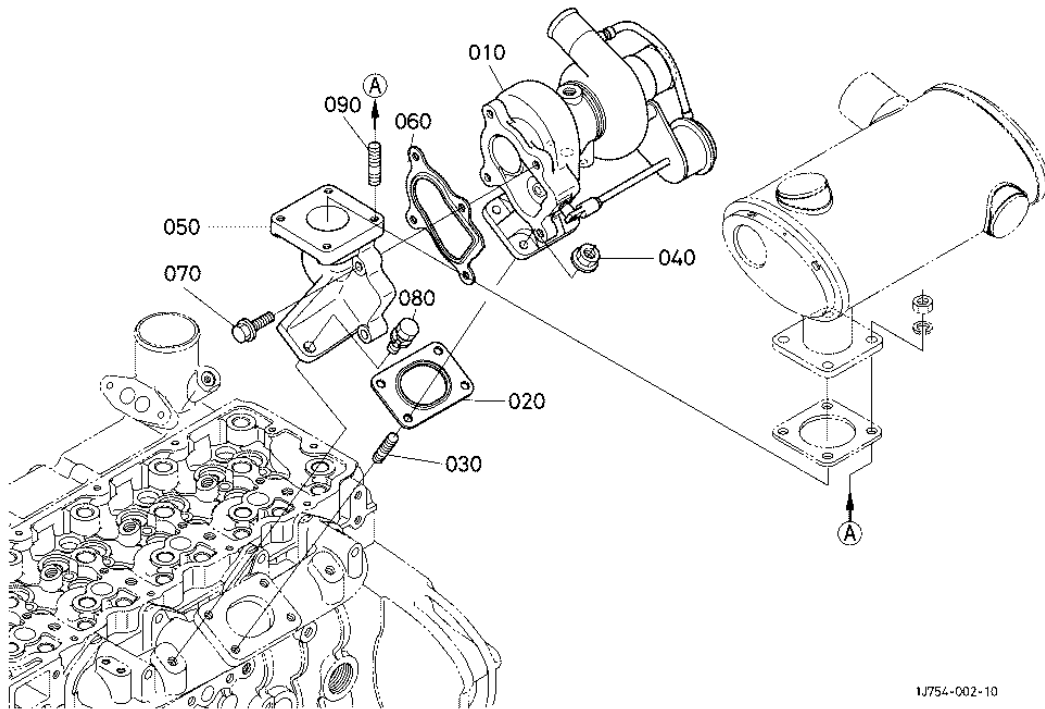
1J751-021-10

EGR WATER PIPING [NEW TYPE]

Ref	Part Number	Part Name	Qty	IC	S/N	Lbs	Remarks
010	1G777-71460	PIPE WATER	1			0.195	
020	09318-88200	CLAMP HOSE	1			0.008	
030	09318-88180	CLAMP HOSE	1			0.022	
040	1G777-71470	PIPE WATER	1			0.121	
050	09318-88200	CLAMP HOSE	2			0.008	
060	1G777-71480	PIPE WATER	1			0.250	
070	09318-88200	CLAMP HOSE	2			0.008	

TURBO CHARGER [NEW TYPE]

Figure Num 013726



1J754-002-10

TURBO CHARGER [NEW TYPE]

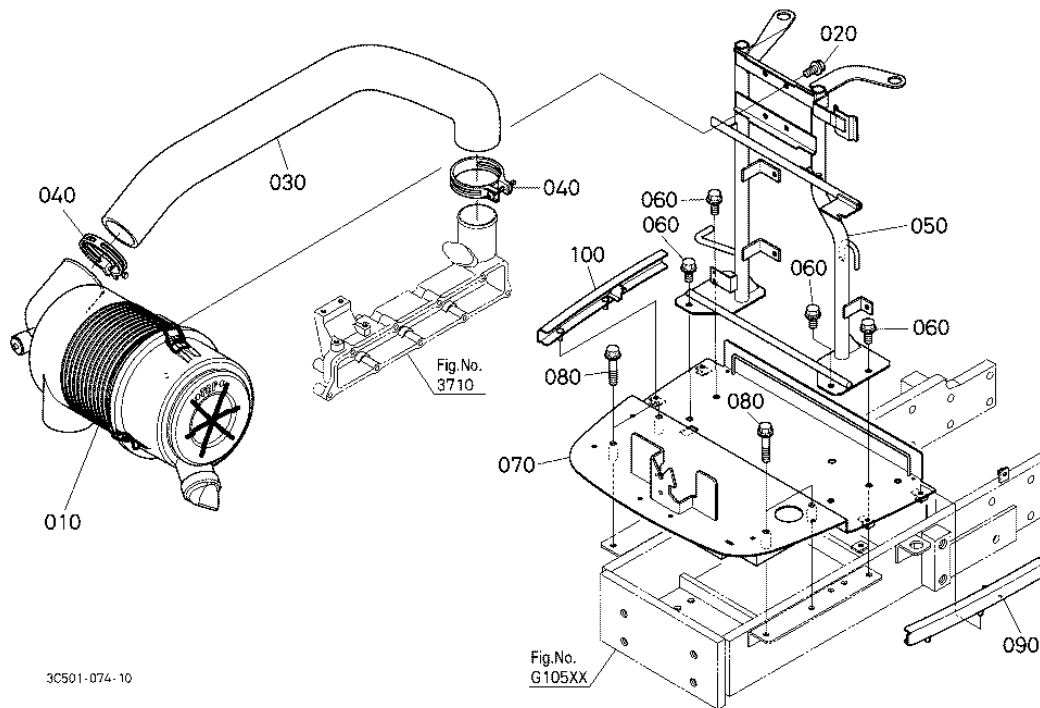
Ref	Part Number	Part Name	Qty	IC	S/N	Lbs	Remarks
010	1J754-17010	ASSY TURBO CHARGER	1			0	
020	1J700-17102	GASKET TURBO CHARGER	1			0.022	
030	1G777-91490	STUD	4			0	
040	02751-50080	NUT FLANGE	4			0.013	
050	1J750-12320	FLANGE MUFFLER	1			4.136	
060	1J700-17110	GASKET MUFFLER FLAN.	1			0.019	
070	1J530-91020	BOLT FLANGE	4			0.037	

TURBO CHARGER [NEW TYPE]

Ref	Part Number	Part Name	Qty	IC	S/N	Lbs	Remarks
080	1G777-91030	BOLT	1			0	
090	1G777-91520	STUD	4			0	

AIR CLEANER [A] ## NOTE:ORDER BY REF.No.050 and Fig.No.J26501
REF.No.030 NEW PARTS.

Figure Num 01373002



AIR CLEANER [A]

Ref	Part Number	Part Name	Qty	IC	S/N	Lbs	Remarks
010	3C001-19100	ASSY CLEANER AIR	1			4.4	
020	01754-50816	BOLT FLANGE	2			0.024	
030	3C501-19350	HOSE INLET	1			3.52	
040	68811-42270	BAND PIPE	2			0.088	
050	3C501-19112	POST AIR CLEANER	1	NI	>=50513	9.02	
050	3C501-19110	POST AIR CLEANER	1		<=50512	0	SEE NOTE

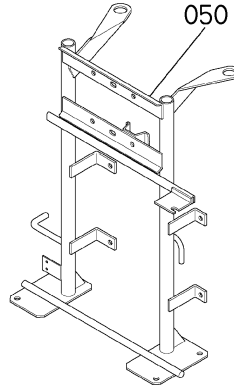
AIR CLEANER [A]

Ref	Part Number	Part Name	Qty	IC	S/N	Lbs	Remarks
060	01774-61020	BOLT FLANGE	4			0.048	
070	3C501-21734	BASE BATTERY	1	>>		13.86	NEW PART
070	3C501-21730	BASE BATTERY	1			0	OLD PART
080	01774-51045	BOLT FLANGE	4			0.077	
090	3C581-21740	COVER BASE LH	1			0.946	
100	3C581-21750	COVER BASE RH	1			0	

AIR CLEANER [A] ## NOTE:ORDER BY REF.No.050 and Fig.No.J26501
REF.No.030 NEW PARTS.

Figure Num 01373002

OLD PARTS



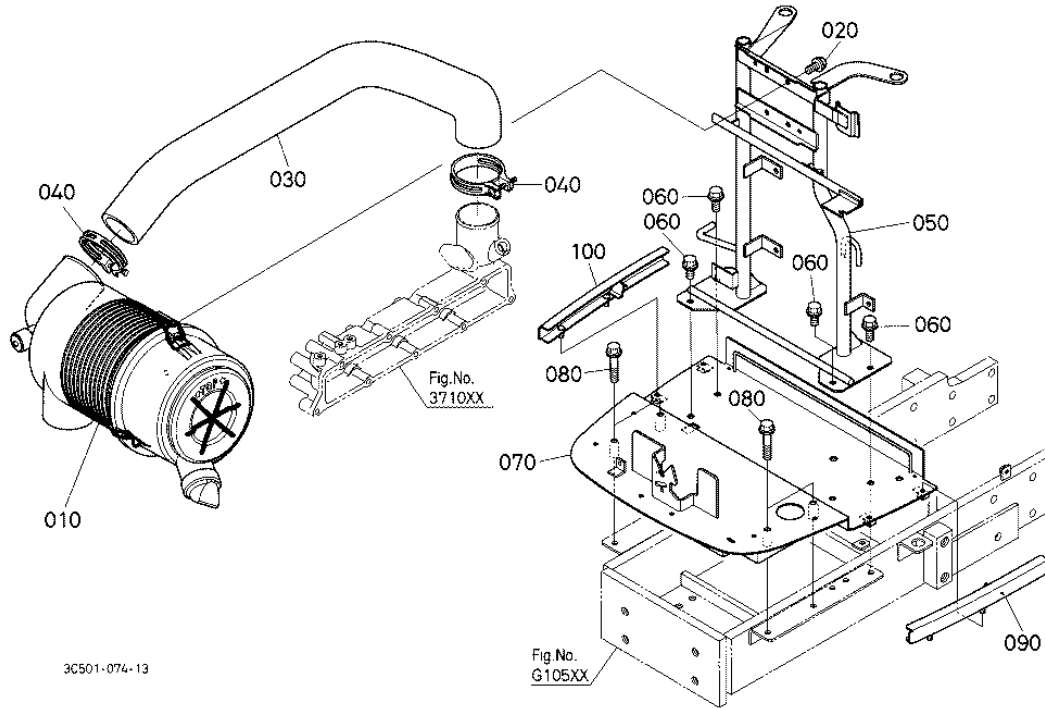
3C501-800-10

AIR CLEANER [A]

Ref	Part Number	Part Name	Qty	IC	S/N	Lbs	Remarks
050	3C501-19112	POST AIR CLEANER	1	NI	>=50513	9.02	
050	3C501-19110	POST AIR CLEANER	1		<=50512	0	SEE NOTE

AIR CLEANER [A] [OLD TYPE] ## S.No.;<=54787 [NOTE:ORDER BY REF.No.050 and Fig.No.J26501 REF.No.030 NEW PARTS.]

Figure Num 01373003



AIR CLEANER [A] [OLD TYPE]

Ref	Part Number	Part Name	Qty	IC	S/N	Lbs	Remarks
010	3C001-19100	ASSY CLEANER AIR	1			4.4	
020	01754-50816	BOLT FLANGE	2			0.024	
030	3C501-19350	HOSE INLET	1			3.52	
040	68811-42270	BAND PIPE	2			0.088	
050	3C501-19113	POST AIR CLEANER	1	>>	>=54047	9.02	
050	3C501-19110	POST AIR CLEANER	1		<=50512	0	SEE NOTE

AIR CLEANER [A] [OLD TYPE]

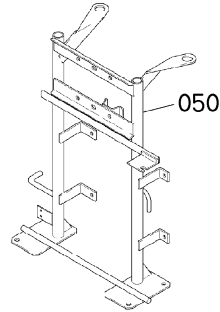
Ref	Part Number	Part Name	Qty	IC	S/N	Lbs	Remarks
050	3C501-19112	POST AIR CLEANER	1	NI	>=50513	9.02	
060	01774-61020	BOLT FLANGE	4			0.048	
070	3C501-21734	BASE BATTERY	1	>>	>=51502	13.86	
070	3C501-21737	BASE BATTERY	1	>>	>=54755	13.86	
070	3C501-21730	BASE BATTERY	1		<=51501	0	
080	01774-51045	BOLT FLANGE	4			0.077	
090	3C581-21740	COVER BASE LH	1			0.946	ORDER BY REF.No.09
090	3C581-21742	COVER BASE LH	1	=		0.946	
100	3C581-21752	COVER BASE RH	1	=		0.44	
100	3C581-21750	COVER BASE RH	1			0	

AIR CLEANER [A] [OLD TYPE] ## S.No.;<=54787 [NOTE:ORDER BY REF.No.050 and Fig.No.J26501 REF.No.030 NEW PARTS.]

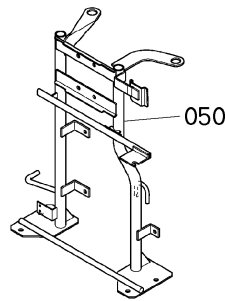
Figure Num 01373003

OLD PARTS

S.No. ; B : <=50512



S.No. ; B : <=54046



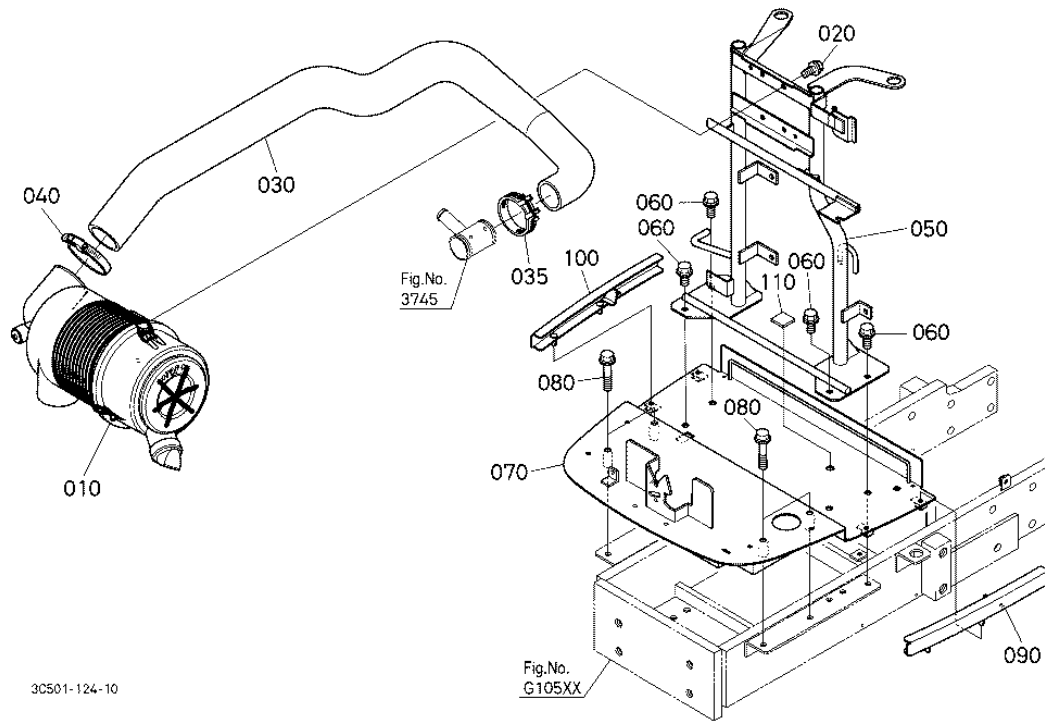
3C501-844-10

AIR CLEANER [A] [OLD TYPE]

Ref	Part Number	Part Name	Qty	IC	S/N	Lbs	Remarks
050	3C501-19113	POST AIR CLEANER	1	>>	>=54047	9.02	
050	3C501-19112	POST AIR CLEANER	1	NI	>=50513	9.02	
050	3C501-19110	POST AIR CLEANER	1		<=50512	0	SEE NOTE

AIR CLEANER [NEW TYPE] ## S.No.;>=80001

Figure Num 01373004



3C501-124-10

AIR CLEANER [NEW TYPE]

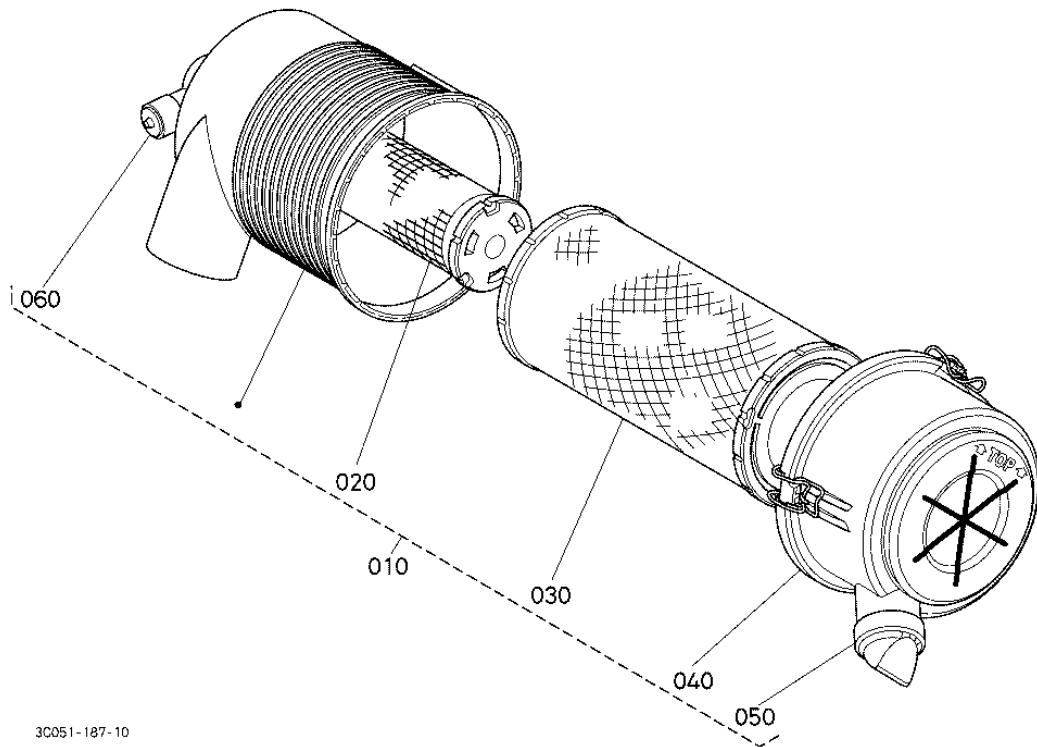
Ref	Part Number	Part Name	Qty	IC	S/N	Lbs	Remarks
010	3C001-19100	ASSY CLEANER AIR	1			4.4	
020	01754-50816	BOLT FLANGE	2			0.024	
030	3C502-19350	HOSE INLET	1			0	
035	15401-11720	BAND PIPE	1			0.066	
040	68811-42270	BAND PIPE	1			0.088	
050	3C501-19113	POST AIR CLEANER	1			9.02	
060	01774-61020	BOLT FLANGE	4			0.048	

AIR CLEANER [NEW TYPE]

Ref	Part Number	Part Name	Qty	IC	S/N	Lbs	Remarks
070	3C501-21737	BASE BATTERY	1			13.86	
080	01774-51045	BOLT FLANGE	4			0.077	
090	3C581-21742	COVER BASE LH	1			0.946	
100	3C581-21752	COVER BASE RH	1			0.44	
110	T1155-74490	CUSHION	1			0.004	

AIR CLEANER [COMPONENT PARTS]

Figure Num 013735



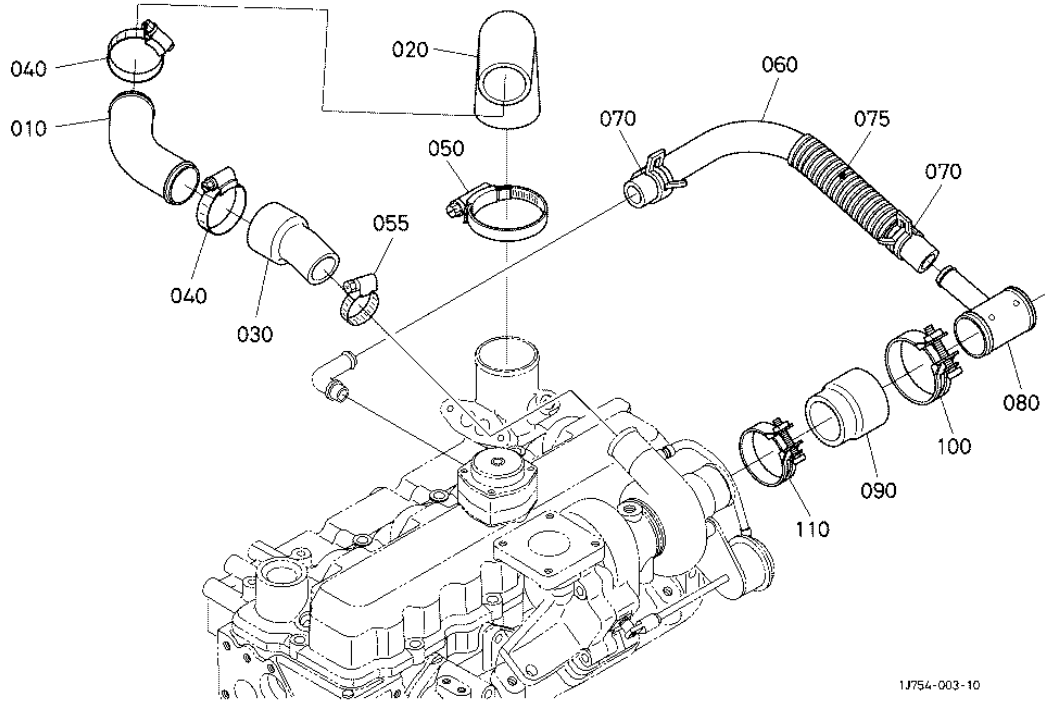
3C051-187-10

AIR CLEANER [COMPONENT PARTS]

Ref	Part Number	Part Name	Qty	IC	S/N	Lbs	Remarks
010	3C001-19100	ASSY CLEANER AIR	1			4.4	
020	3A111-19130	ELEMENT INNER	1			0.737	
030	59800-26110	ASSY ELEMENT A/C	1			2.024	
040	3F750-11160	ASSY COVER	1			0.726	
050	59700-26140	VALVE	1			0.059	
060	15126-11090	ASSY INDICATOR	1			0.055	

INLET PIPE (AIR CLEANER) [NEW TYPE]

Figure Num 013745



1J754-003-10

INLET PIPE (AIR CLEANER) [NEW TYPE]

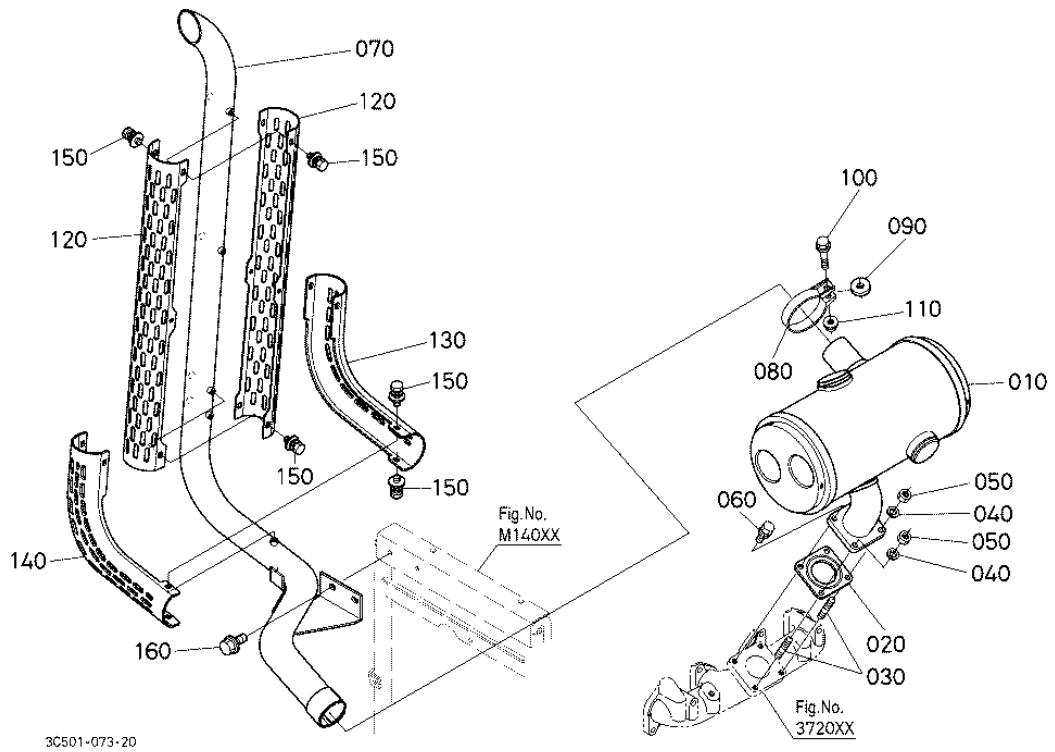
Ref	Part Number	Part Name	Qty	IC	S/N	Lbs	Remarks
010	1G776-11620	PIPE INLET	1			0.651	
020	1G776-11644	HOSE INLET	1			0.506	
030	1G776-11633	HOSE INLET	1			0.198	
040	RC401-63190	CLAMP HOSE	2			0.088	
050	RD809-63100	CLAMP HOSE	1			0.11	
055	68311-72830	CLAMP HOSE	1			0.066	
060	1G777-05510	TUBE BREATHER	1			0.116	

INLET PIPE (AIR CLEANER) [NEW TYPE]

Ref	Part Number	Part Name	Qty	IC	S/N	Lbs	Remarks
070	16241-33510	BAND PIPE	2			0.011	
075	1G777-42210	TUBE PIPE	1			0	
080	1G777-05650	COMP.VALVE BREATHER	1			0.316	
090	1G776-11660	HOSE BREATHER	1			0.171	
100	15401-11720	BAND PIPE	1			0.066	
110	T0430-35560	CLAMP HOSE	1			0.077	

MUFFLER [OLD TYPE] ## S.No.;<=54787

Figure Num 01375001



MUFFLER [OLD TYPE]

Ref	Part Number	Part Name	Qty	IC	S/N	Lbs	Remarks
010	3C501-12112	MUFFLER	1	>>	>=50513	12.32	
010	3C501-12110	MUFFLER	1		<=50512	0	
020	3C001-12230	GASKET MUFFLER	1			0.022	
030	01513-60820	STUD	2			0.033	
040	04512-60080	WASHER SPRING	2			0.004	
050	02156-50080	NUT	2			0.008	
060	01123-50825	BOLT	2			0.028	

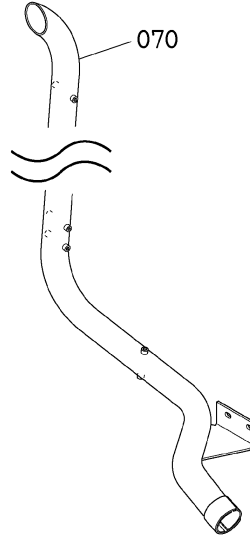
MUFFLER [OLD TYPE]

Ref	Part Number	Part Name	Qty	IC	S/N	Lbs	Remarks
070	3C501-12415	PIPE MUFFLER	1	>>	>=53861	9.9	
070	3C501-12413	PIPE MUFFLER	1		<=52638	0	
070	3C501-12414	PIPE MUFFLER	1	>>	>=52639	9.9	
080	15416-12130	BAND MUFFLER PIPE	1			0.22	
090	KK121-42140	COLLAR	1			0.035	
100	01759-50840	BOLT UBS	1			0.044	
110	02756-50080	NUT UBS	1			0.022	
120	3C501-12433	COVER MUFFLER	2			0.836	
130	3C501-12450	COVER MUFFLER	1			0.66	
140	3C501-12460	COVER MUFFLER	1		<=51189	0	
140	3C501-12462	COVER MUFFLER	1	>>	>=51190	0.66	
150	01025-60612	BOLT	10			0.011	
160	01754-50820	BOLT FLANGE	2			0.033	

MUFFLER [OLD TYPE] ## S.No.;<=54787

Figure Num 01375001

OLD PARTS



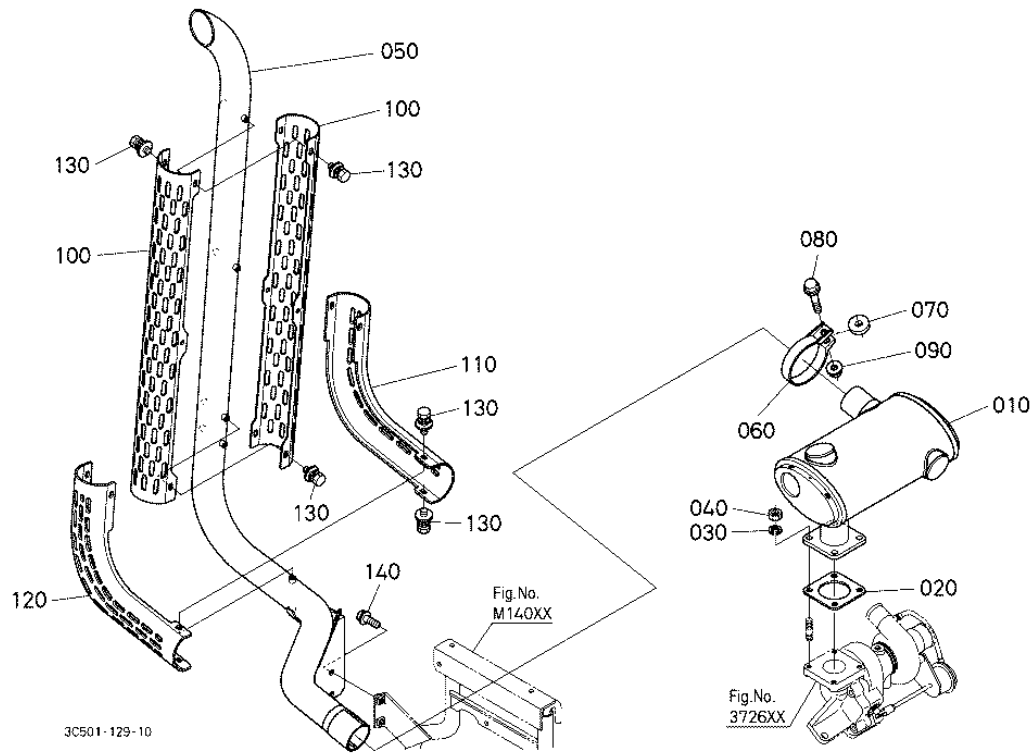
3C753-800-10

MUFFLER [OLD TYPE]

Ref	Part Number	Part Name	Qty	IC	S/N	Lbs	Remarks
070	3C501-12415	PIPE MUFFLER	1	>>	>=53861	9.9	
070	3C501-12414	PIPE MUFFLER	1	>>	>=52639	9.9	
070	3C501-12413	PIPE MUFFLER	1		<=52638	0	

MUFFLER [NEW TYPE] ## S.No.;>=80001

Figure Num 01375003



MUFFLER [NEW TYPE]

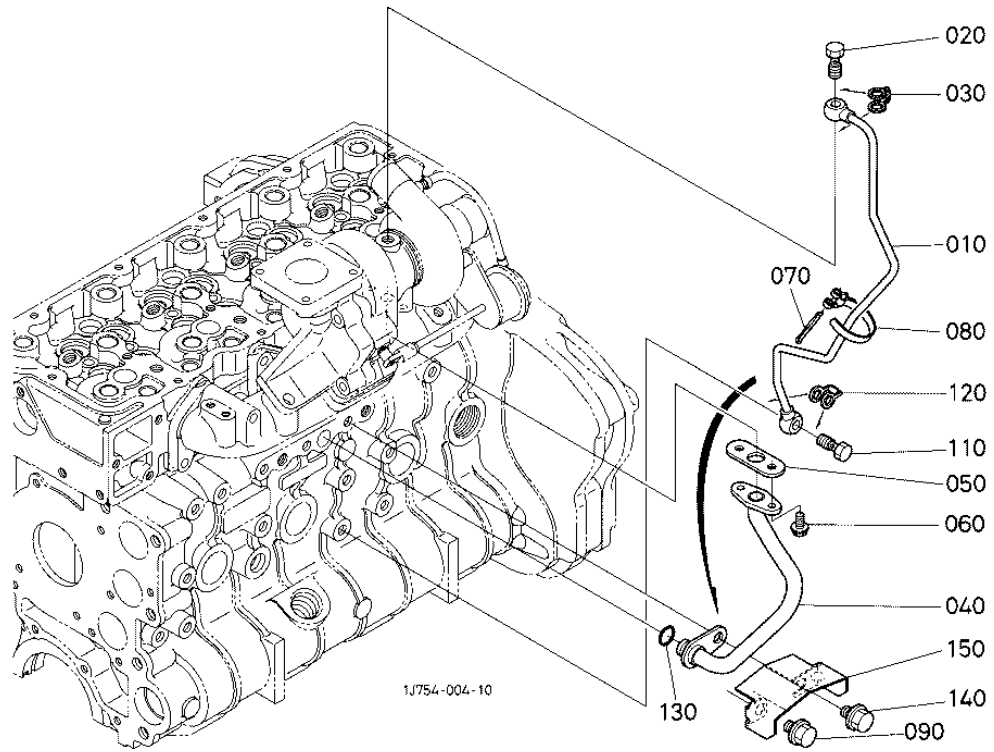
Ref	Part Number	Part Name	Qty	IC	S/N	Lbs	Remarks
010	3C502-12110	MUFFLER	1			0	
020	3N300-12230	GASKET MUFFLER	1			0.037	
030	04512-60100	WASHER SPRING	4			0.004	
040	02176-50100	NUT	4			0.011	
050	3C502-12410	PIPE MUFFLER	1			0	
060	15416-12130	BAND MUFFLER PIPE	1			0.22	
070	KK121-42140	COLLAR	1			0.035	

MUFFLER [NEW TYPE]

Ref	Part Number	Part Name	Qty	IC	S/N	Lbs	Remarks
080	01759-50840	BOLT UBS	1			0.044	
090	02756-50080	NUT UBS	1			0.022	
100	3C501-12433	COVER MUFFLER	2			0.836	
110	3C501-12450	COVER MUFFLER	1			0.66	
120	3C501-12462	COVER MUFFLER	1			0.66	
130	01025-60612	BOLT	10			0.011	
140	01754-50820	BOLT FLANGE	2			0.033	

OIL PIPE (TURBO CHARGER) [NEW TYPE]

Figure Num 013800



OIL PIPE (TURBO CHARGER) [NEW TYPE]

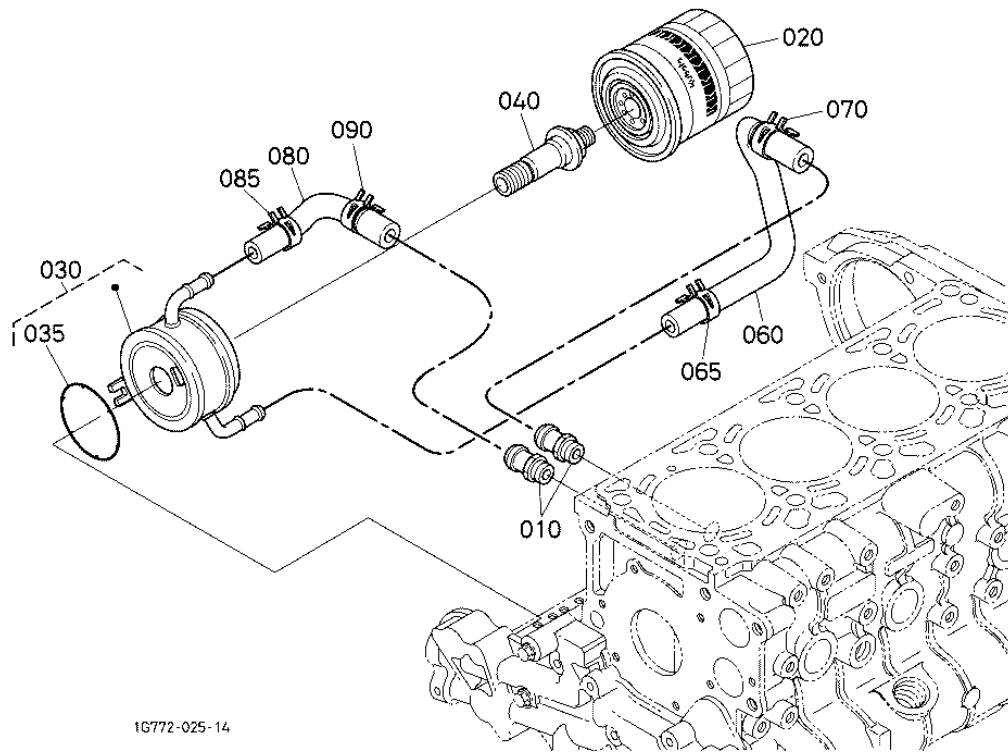
Ref	Part Number	Part Name	Qty	IC	S/N	Lbs	Remarks
010	1G776-33042	COMP.PIPE OIL	1			0.176	
020	17371-95800	BOLT EYE JOINT	1			0.055	
030	1G777-96650	GASKET	1			0.004	
040	1G776-33050	COMP.PIPE OIL	1			0.316	
050	1J550-33670	GASKET	1			0	
060	01754-50612	BOLT FLANGE	2			0.011	
070	33430-82760	PIN BAND	1			0.008	

OIL PIPE (TURBO CHARGER) [NEW TYPE]

Ref	Part Number	Part Name	Qty	IC	S/N	Lbs	Remarks
080	1A024-33520	CLAMP PIPE	1			0.015	
090	01774-51010	BOLT FLANGE	1			0.176	
110	15471-95790	BOLT EYE JOINT	1			0.044	
120	1G557-96650	GASKET	1			0.002	
130	04814-00120	O RING	1			0.002	
140	01774-51010	BOLT FLANGE	1			0.176	
150	1J751-12650	SHIELD EXH.MANIFOLD	1			1.474	

OIL COOLER [OLD TYPE] ## S.No.;<=54787

Figure Num 013820



OIL COOLER [OLD TYPE]

Ref	Part Number	Part Name	Qty	IC	S/N	Lbs	Remarks
010	1C010-37114	JOINT WATER PIPE	2			0.044	
020	1C020-32430	CARTRIDGE OIL FILTER	1			1.21	
020	HH1C0-32430	CARTRIDGE OIL FILTER	1	>>		1.21	
030	1G772-37010	ASSY COOLER OIL	1		<=6L1166	1.76	
030	1G772-37012	ASSY COOLER OIL	1	>>	>=6N0001	1.76	
035	K7561-33120	O RING	1	=		0.055	
035	1G730-37070	O RING	1			0	

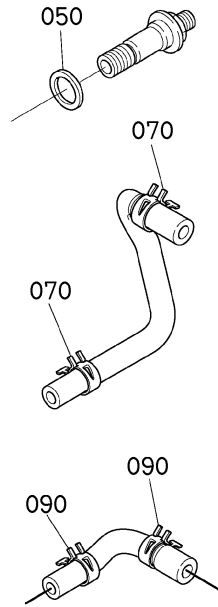
OIL COOLER [OLD TYPE]

Ref	Part Number	Part Name	Qty	IC	S/N	Lbs	Remarks
040	1G772-37080	CONNECTOR	1			0.33	
060	1G772-37150	PIPE OIL COOLER	1			0.165	
065	09318-88180	CLAMP HOSE	1		>=7A0001	0.022	
070	09318-88200	CLAMP HOSE	2		<=6Y0471	0.008	
070	09318-88200	CLAMP HOSE	1		>=7A0001	0.008	
080	1G772-37160	PIPE OIL COOLER	1			0.088	
085	09318-88180	CLAMP HOSE	1		>=7A0001	0.022	
090	09318-88200	CLAMP HOSE	1		>=7A0001	0.008	
090	09318-88200	CLAMP HOSE	2		<=6Y0471	0.008	

OIL COOLER [OLD TYPE] ## S.No.;<=54787

Figure Num 013820

OLD PARTS



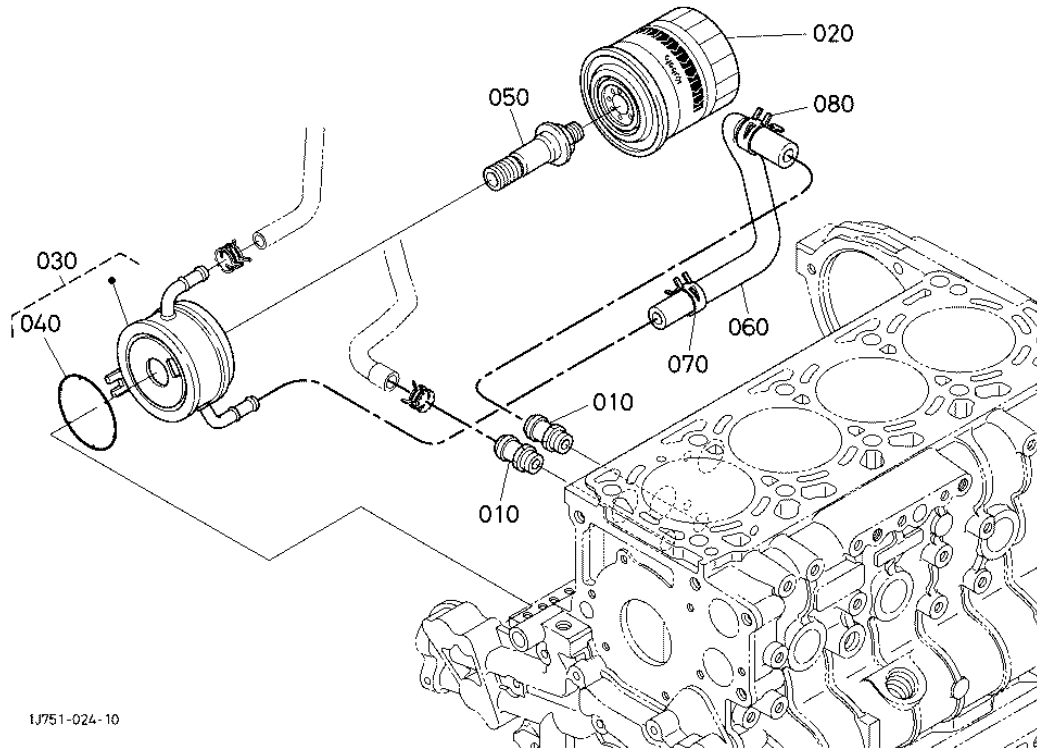
1G772-803-11

OIL COOLER [OLD TYPE]

Ref	Part Number	Part Name	Qty	IC	S/N	Lbs	Remarks
050	1G772-37090	COLLAR	1		<=6N1209	0.004	
070	09318-88200	CLAMP HOSE	1		>=7A0001	0.008	
070	09318-88200	CLAMP HOSE	2		<=6Y0471	0.008	
090	09318-88200	CLAMP HOSE	1		>=7A0001	0.008	
090	09318-88200	CLAMP HOSE	2		<=6Y0471	0.008	

OIL COOLER [NEW TYPE]

Figure Num 01382001



IJ751-024-10

OIL COOLER [NEW TYPE]

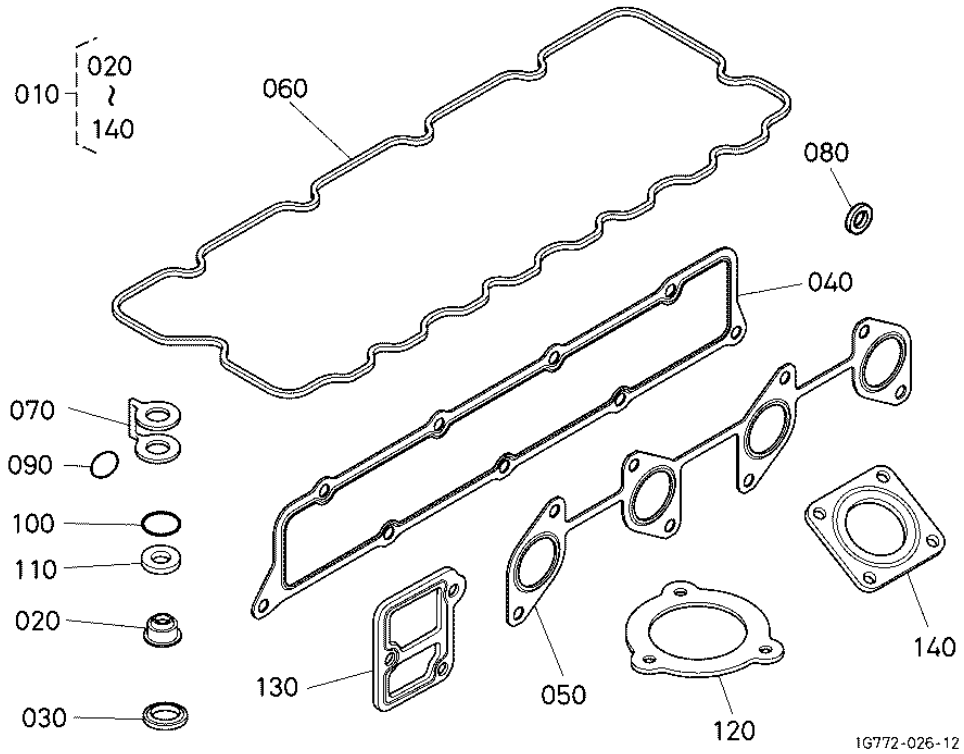
Ref	Part Number	Part Name	Qty	IC	S/N	Lbs	Remarks
010	1C010-37114	JOINT WATER PIPE	2			0.044	
020	HH1C0-32430	CARTRIDGE OIL FILTER	1			1.21	
030	1G777-37010	ASSY COOLER OIL	1			1.98	
040	K7561-33120	O RING	1			0.055	
050	1G777-37080	CONNECTOR	1			0.341	
060	1G772-37150	PIPE OIL COOLER	1			0.165	
070	09318-88180	CLAMP HOSE	1			0.022	

OIL COOLER [NEW TYPE]

Ref	Part Number	Part Name	Qty	IC	S/N	Lbs	Remarks
080	09318-88200	CLAMP HOSE	1			0.008	

UPPER GASKET KIT

Figure Num 01391001



UPPER GASKET KIT

Ref	Part Number	Part Name	Qty	IC	S/N	Lbs	Remarks
010	1G772-99350	KIT GASKET UPPER	1			1.229	
020	1C010-13150	SEAL VALVE STEM	16			0.004	
030	04717-01200	WASHER WITH RUBBER	1			0.004	
040	1G772-11820	GASKET IN-MANIFOLD	1			0.044	
050	1G772-12350	GASKET EX-MANIFOLD	1			0.033	
060	1G772-14520	GASKET HEAD COVER	1			0.077	
070	1C020-96730	GASKET	5			0.002	

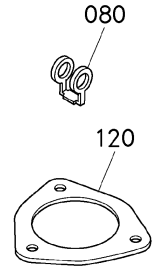
UPPER GASKET KIT

Ref	Part Number	Part Name	Qty	IC	S/N	Lbs	Remarks
080	15021-33660	GASKET	2	=		0.002	
080	1G772-33660	GASKET	1			0.002	
090	1G772-53490	O RING	4			0.002	
100	04814-05110	O RING	4			0.004	
110	1G796-53620	GASKET	4			0.002	
120	1C010-73270	GASKET	1			0.008	
120	1G772-73270	GASKET	1	=		0	
130	1G772-72820	GASKET WATER FLANGE	1			0.022	
140	3C001-12230	GASKET MUFFLER	1			0.022	

UPPER GASKET KIT

Figure Num 01391001

OLD PARTS



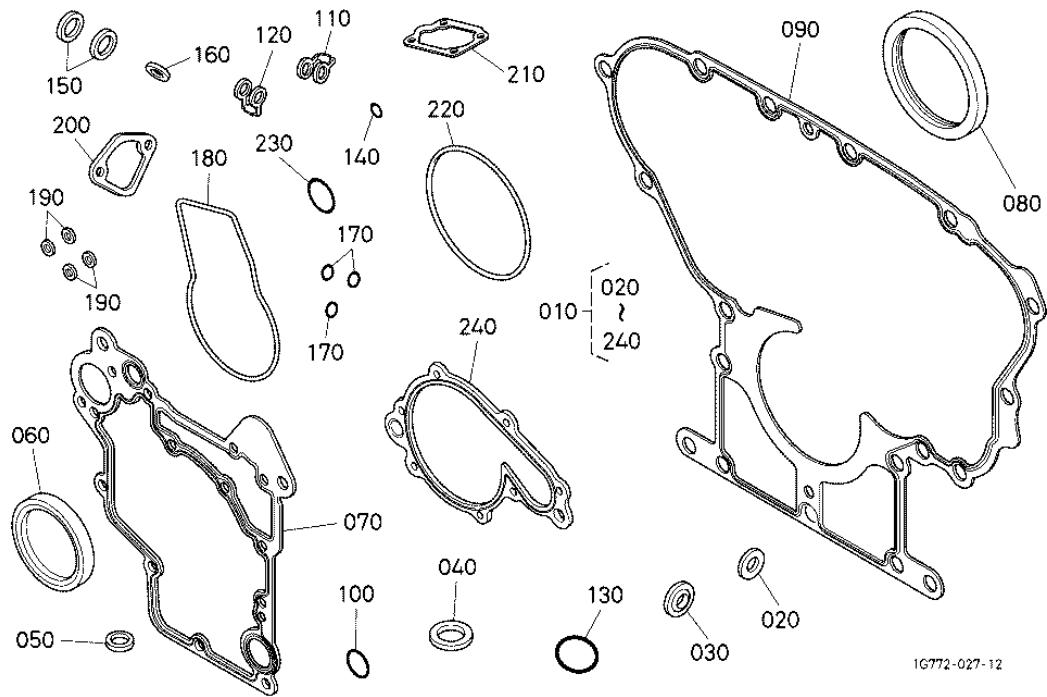
1G772-801-11

UPPER GASKET KIT

Ref	Part Number	Part Name	Qty	IC	S/N	Lbs	Remarks
080	15021-33660	GASKET	2	=		0.002	
080	1G772-33660	GASKET	1			0.002	
120	1G772-73270	GASKET	1	=		0	
120	1C010-73270	GASKET	1			0.008	

LOWER GASKET KIT

Figure Num 013920



LOWER GASKET KIT

Ref	Part Number	Part Name	Qty	IC	S/N	Lbs	Remarks
010	1G772-99360	KIT GASKET LOWER	1			0.732	
020	15021-33660	GASKET	3			0.002	
030	04724-00170	GASKET	1			0.011	
040	16265-96670	GASKET	2			0.002	
050	15451-96670	GASKET	1			0.006	
060	1C020-04140	SEAL OIL	1			0.096	
070	1G772-04330	GASKET FRONT COVER	1			0.055	

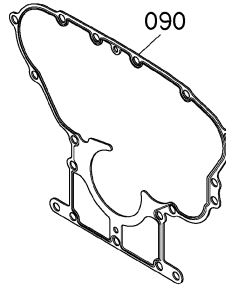
LOWER GASKET KIT

Ref	Part Number	Part Name	Qty	IC	S/N	Lbs	Remarks
080	17381-04460	SEAL OIL	1			0.11	
090	1G772-04632	GASKET HOUSING	1		<=7RZ999	0.11	
090	1G777-04630	GASKET HOUSING	1	NI	>=7S0001	0.121	
100	04817-00200	O RING	1			0.024	
110	1C020-96650	GASKET	1			0.002	
120	1G557-96650	GASKET	1			0.002	
130	04817-50300	O RING	1			0.002	
140	04811-10120	O RING	1			0.002	
150	15401-96650	GASKET	2			0.002	
160	15841-96660	GASKET	1			0.002	
170	04814-10070	O RING	3			0.002	
180	1C010-55770	GASKET GOV.HOUSING	1			0.002	
190	15601-96650	GASKET	4			0.002	
200	16264-52140	GASKET FUEL PUMP	1			0.002	
210	1A021-57212	GASKET PLATE	1			0.002	
220	1G772-52130	GASKET INJ.PUMP	1			0.006	
230	04814-06310	O RING	1			0.004	
240	1G772-73430	GASKET WATER PUMP	1			0.026	

LOWER GASKET KIT

Figure Num 013920

OLD PARTS



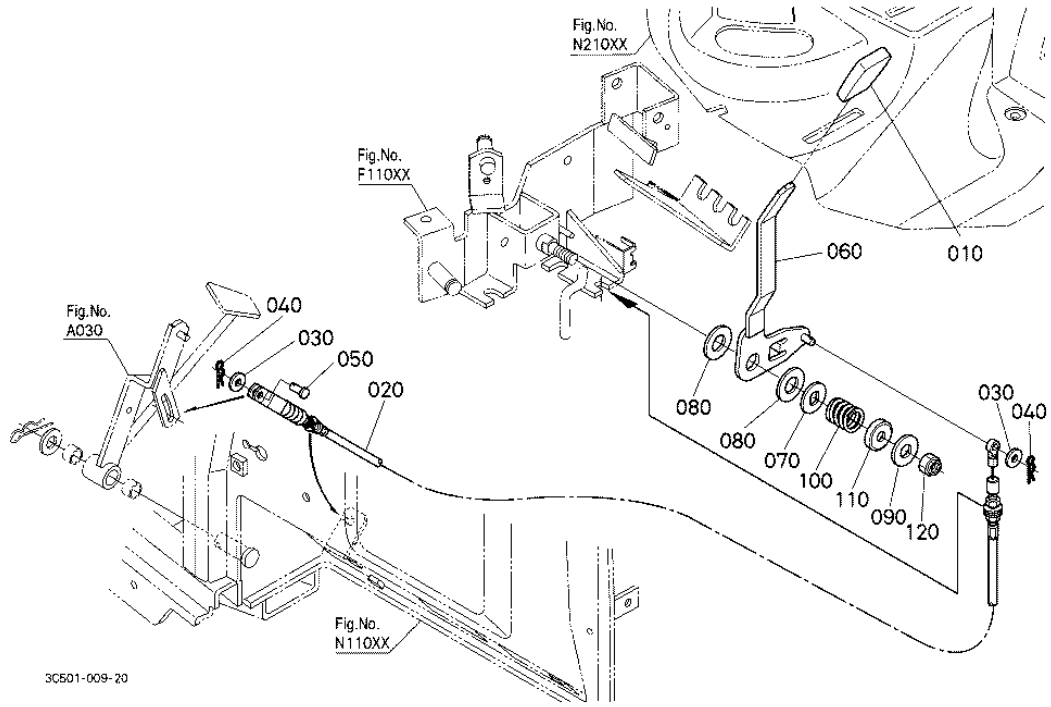
1G772-808-10

LOWER GASKET KIT

Ref	Part Number	Part Name	Qty	IC	S/N	Lbs	Remarks
090	1G777-04630	GASKET HOUSING	1	NI	>=7S0001	0.121	
090	1G772-04632	GASKET HOUSING	1		<=7RZ999	0.11	

HAND ACCELERATOR LEVER

Figure Num 01A010



HAND ACCELERATOR LEVER

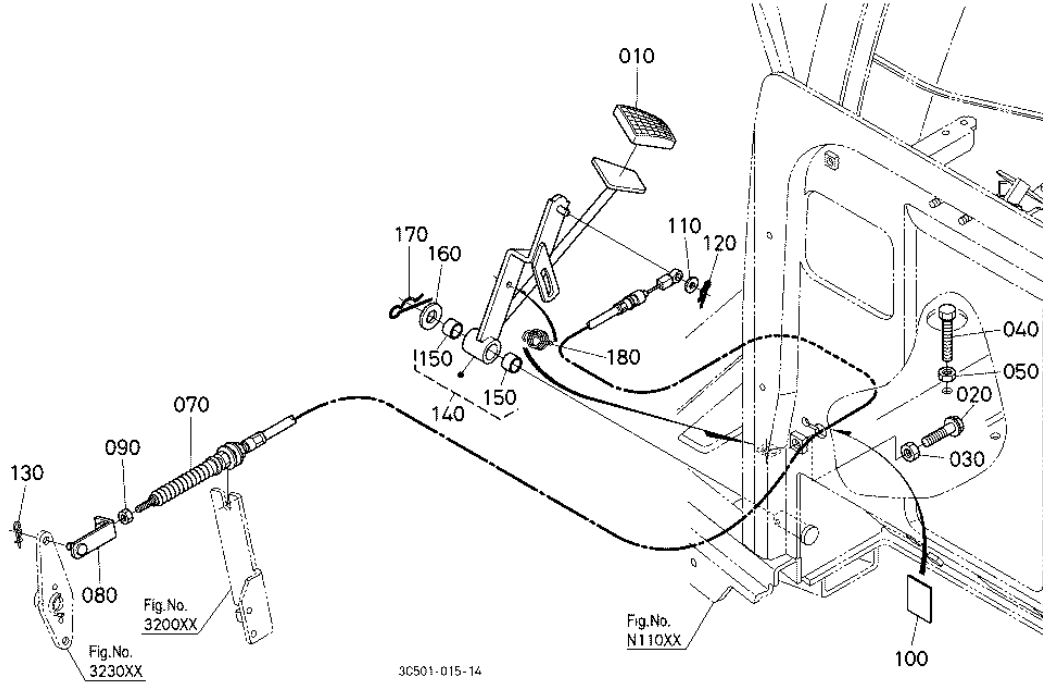
Ref	Part Number	Part Name	Qty	IC	S/N	Lbs	Remarks
010	T1150-25380	GRIP LEVER	1			0.068	
020	3C581-10162	WIRE HAND ACCEL.	1			0.462	
030	04013-60060	WASHER PLAIN	2			0.002	
040	05525-60600	PIN SNAP	2			0.002	
050	05122-50614	PIN JOINT	1			0.008	
060	3C581-10220	LEVER HAND ACCEL.	1			0.55	
070	3A111-10380	PLATE ACCEL.LEVER	1			0.046	

HAND ACCELERATOR LEVER

Ref	Part Number	Part Name	Qty	IC	S/N	Lbs	Remarks
080	3A111-10260	PLATE	2			0.008	
090	04013-60120	WASHER PLAIN	1			0.022	
100	33251-10320	SPRING ACCEL.LEVER	1			0.026	
110	33251-10270	CAP SPRING	1			0.022	
120	02576-50120	NUT LOCK	1			0.024	

ACCELERATOR PEDAL

Figure Num 01A030



ACCELERATOR PEDAL

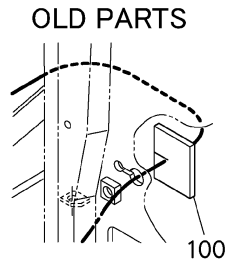
Ref	Part Number	Part Name	Qty	IC	S/N	Lbs	Remarks
010	37410-42760	COVER PEDAL	1			0.055	
020	01774-51035	BOLT	1			0.066	
030	02118-50100	NUT	1			0.011	
040	01155-50880	BOLT	1			0.066	
050	02114-50080	NUT	1			0.011	
070	3C501-10750	WIRE ACCEL.	1			0.204	
080	36919-10332	HOLDER WIRE	1			0.022	

ACCELERATOR PEDAL

Ref	Part Number	Part Name	Qty	IC	S/N	Lbs	Remarks
090	02054-50050	NUT	1			0.004	
100	T1855-30710	CUSHION	1	=		0.002	
100	3C581-30040	SPONGE	1			0.004	
110	04013-60060	WASHER PLAIN	1			0.002	
120	05525-60600	PIN SNAP	1			0.002	
130	3A011-32870	PIN SNAP	1			0.002	
140	3C581-94753	PEDAL ACCEL.	1			1.012	
150	08511-01410	BUSH	2			0.011	
160	04011-50140	WASHER PLAIN	1			0.015	
170	05525-51400	PIN SNAP	1			0.011	
180	3C581-62330	SPRING ACCEL.	1			0.022	

ACCELERATOR PEDAL

Figure Num 01A030



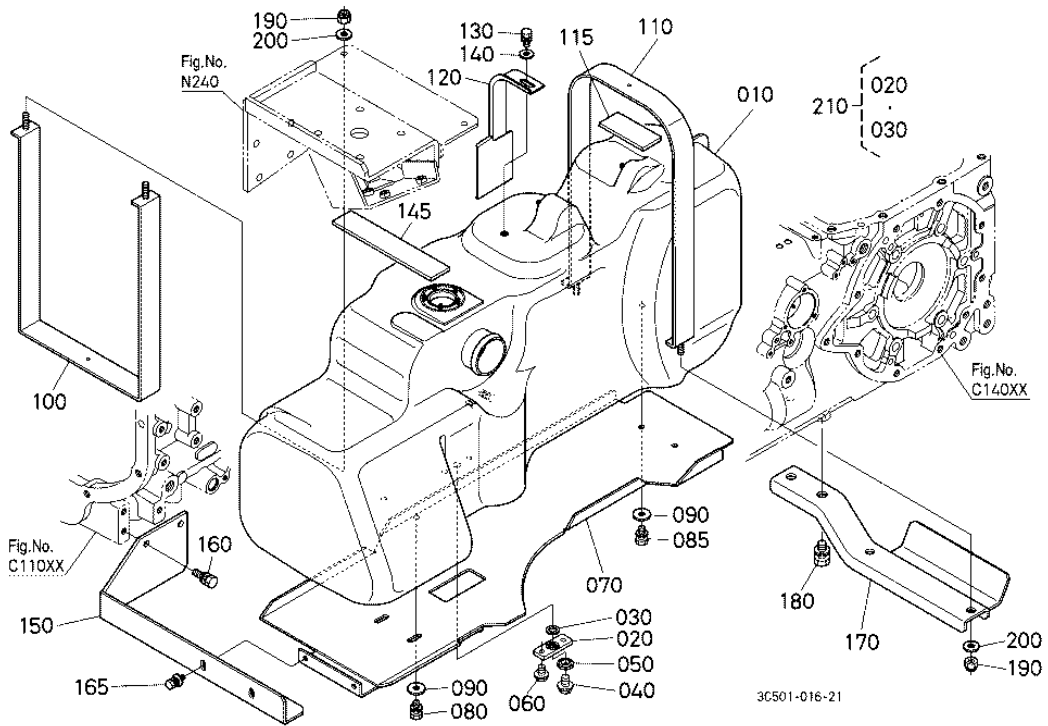
3C501-855-10

ACCELERATOR PEDAL

Ref	Part Number	Part Name	Qty	IC	S/N	Lbs	Remarks
100	T1855-30710	CUSHION	1	=		0.002	
100	3C581-30040	SPONGE	1			0.004	

FUEL TANK

Figure Num 01A11001



FUEL TANK

Ref	Part Number	Part Name	Qty	IC	S/N	Lbs	Remarks
010	3C501-04140	TANK FUEL	1			17.16	
020	3C081-04250	PLATE DRAIN FUEL	1		<=52686	0.462	
020	3C091-04250	PLATE DRAIN FUEL	1	NI	>=52687	0.22	
030	04817-00200	O RING	1		<=52686	0.024	
030	3C091-04260	SEAL X RING	1	NI	>=52687	0	
040	01774-51010	BOLT FLANGE	1			0.176	
050	04717-01000	WASHER WITH RUBBER	1			0.002	

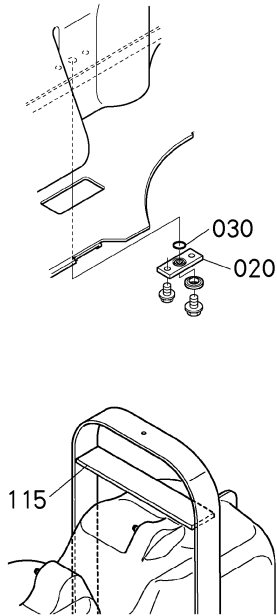
FUEL TANK

Ref	Part Number	Part Name	Qty	IC	S/N	Lbs	Remarks
060	01754-50814	BOLT FLANGE	2			0.011	
070	3C501-04160	COVER FUEL TANK	1			8.36	
080	01123-60814	BOLT	2			0.022	
085	01123-50812	BOLT	2			0.22	
090	04015-60080	WASHER PLAIN	4			0.022	
100	3C501-04372	BAND FUEL TANK	1			2.266	
110	3C501-04392	BAND FUEL TANK	1			2.134	
115	3C001-04410	CUSHION TANK	1	>>	>=51001	0.11	
115	3A151-04663	CUSHION TANK	1		<=51000	0.176	
120	3C501-04170	CLAMP FUEL HOSE	1			0.519	
130	01123-50812	BOLT	1			0.22	
140	04015-60080	WASHER PLAIN	1			0.022	
145	3A111-04664	CUSHION TANK	1			0.191	
150	3C501-04130	GUARD TANK FRONT	1			5.72	
160	01133-51230	BOLT	2			0.088	
165	01125-60820	BOLT	2			0.033	
170	3C001-04180	STAY FUEL TANK	1			5.72	
180	01133-51430	BOLT	2			0.002	
190	02574-50100	NUT LOCK	4			0.015	
200	04013-60100	WASHER PLAIN	4			0.006	
210	3C081-97050	KIT SEAL FUEL DRAIN	1		<=52686	0.22	

FUEL TANK

Figure Num 01A11001

OLD PARTS



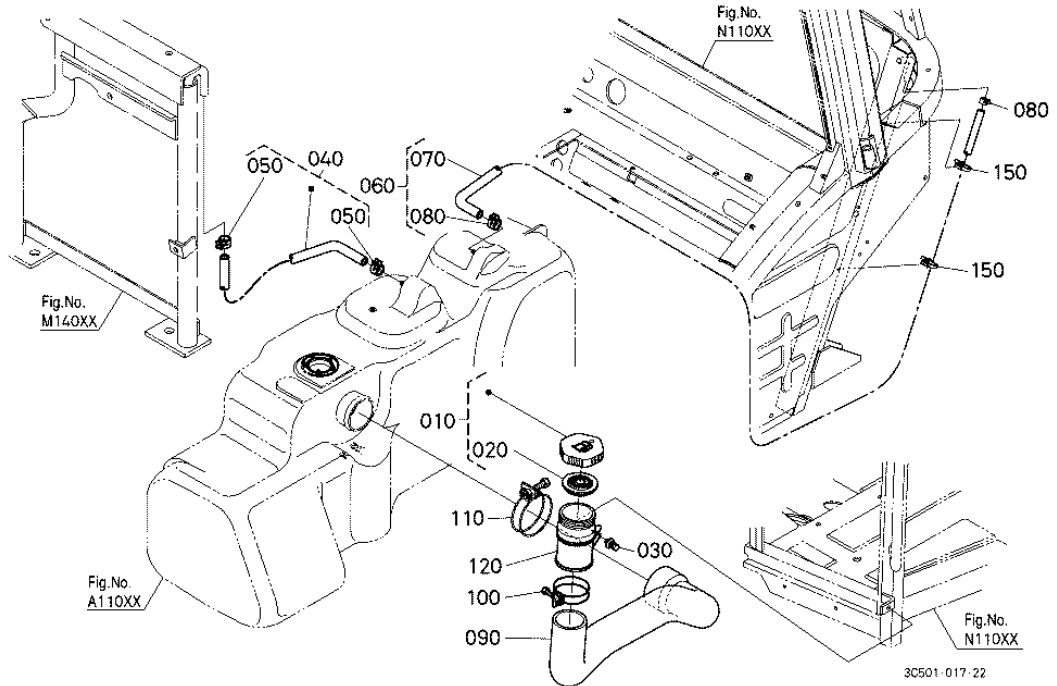
3C501-807-11

FUEL TANK

Ref	Part Number	Part Name	Qty	IC	S/N	Lbs	Remarks
020	3C091-04250	PLATE DRAIN FUEL	1	NI	>=52687	0.22	
020	3C081-04250	PLATE DRAIN FUEL	1		<=52686	0.462	
030	3C091-04260	SEAL X RING	1	NI	>=52687	0	
030	04817-00200	O RING	1		<=52686	0.024	
115	3C001-04410	CUSHION TANK	1	>>	>=51001	0.11	
115	3A151-04663	CUSHION TANK	1		<=51000	0.176	

FUEL FILLER

Figure Num 01A135



FUEL FILLER

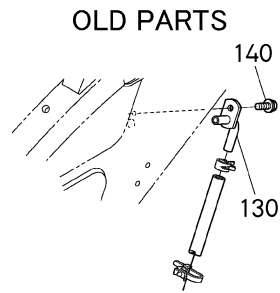
Ref	Part Number	Part Name	Qty	IC	S/N	Lbs	Remarks
010	3C581-04292	ASSY CAP FUEL	1	>>	>=51924	0.132	
010	3C581-04290	ASSY CAP FUEL	1		<=51923	0	
020	3C581-04310	GASKET	1			0.044	
030	01125-60820	BOLT	1			0.033	
040	3C581-04482	ASSY TUBE FUEL	1			0.429	
050	09318-88150	CLAMP HOSE	2			0.008	
060	3C581-04492	ASSY TUBE FUEL	1			0.352	

FUEL FILLER

Ref	Part Number	Part Name	Qty	IC	S/N	Lbs	Remarks
070	3C581-04420	TUBE FUEL	1			0.308	
080	09318-88150	CLAMP HOSE	2			0.008	
090	3C581-04570	HOSE FUEL OIL FILLER	1			2.728	
100	3A151-74470	CLAMP HOSE	1			0.088	
110	09318-89076	CLAMP HOSE	1			0.083	
120	PP551-82673	NOZZLE FUEL	1			0.484	
150	3F760-04540	CLAMP	2			0.004	

FUEL FILLER

Figure Num 01A135



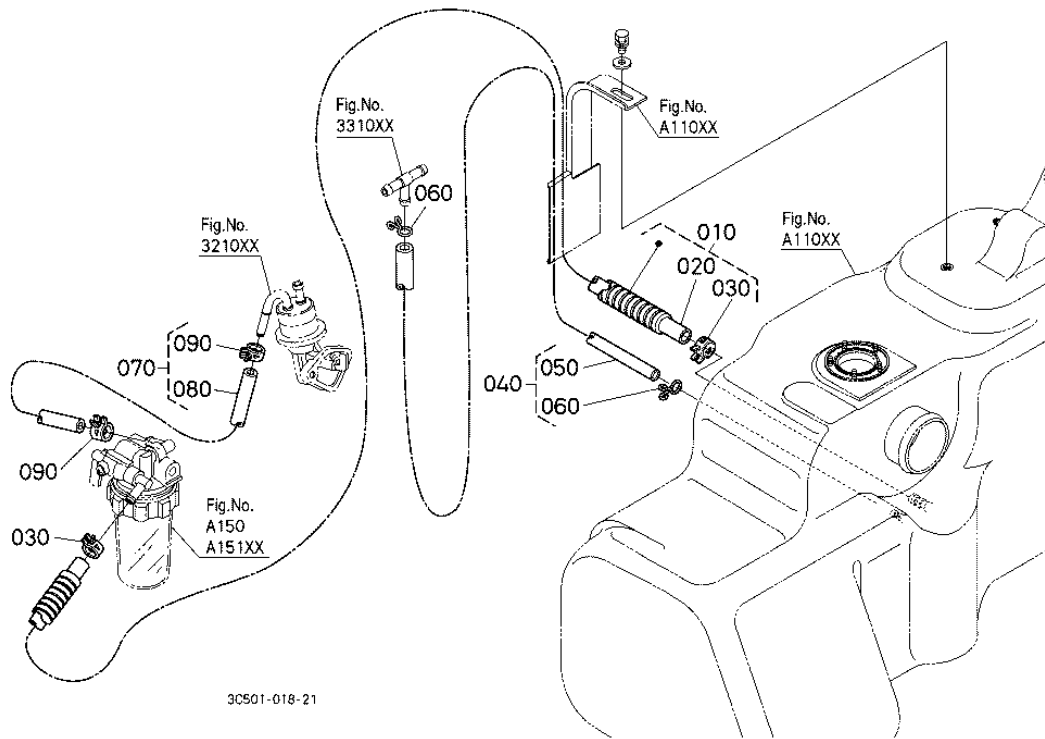
3C501-845-10

FUEL FILLER

Ref	Part Number	Part Name	Qty	IC	S/N	Lbs	Remarks
130	3C581-04590	PIPE BREATHER	1		<=54754	0.055	
140	01754-50610	BOLT FLANGE	1		<=54754	0.013	

FUEL PIPE [OLD TYPE] ## S.No.;<=54471

Figure Num 01A140



FUEL PIPE [OLD TYPE]

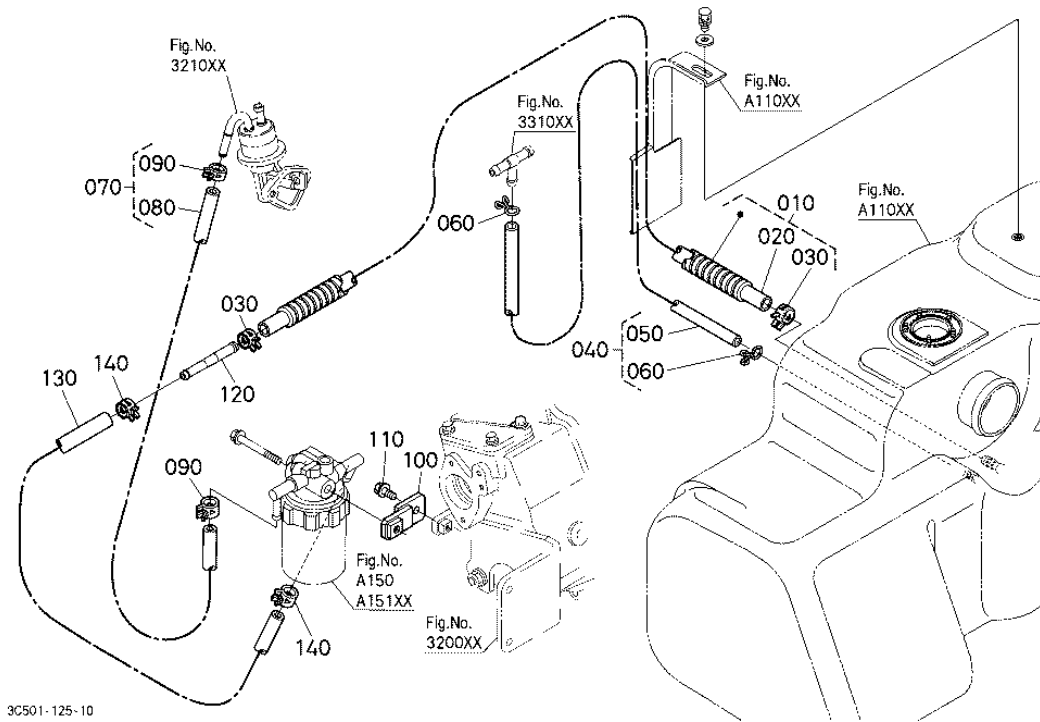
Ref	Part Number	Part Name	Qty	IC	S/N	Lbs	Remarks
010	3C501-04460	ASSY TUBE FUEL	1			0.682	
020	09661-82100	TUBE FUEL	1			0.55	
030	14911-42750	CLIP PIPE	2			0.004	
040	3C081-04470	ASSY TUBE FUEL	1			0.176	
050	09661-41500	TUBE FUEL	1			0.176	
060	14911-42750	CLIP PIPE	2			0.004	
070	3C001-04040	ASSY TUBE FUEL	1			0.055	

FUEL PIPE [OLD TYPE]

Ref	Part Number	Part Name	Qty	IC	S/N	Lbs	Remarks
080	09661-70180	TUBE FUEL	1			0.055	
090	14911-42750	CLIP PIPE	2			0.004	

FUEL PIPE [NEW TYPE] ## S.No.;54472 to 54708

Figure Num 01A14001



3C501-125-10

FUEL PIPE [NEW TYPE]

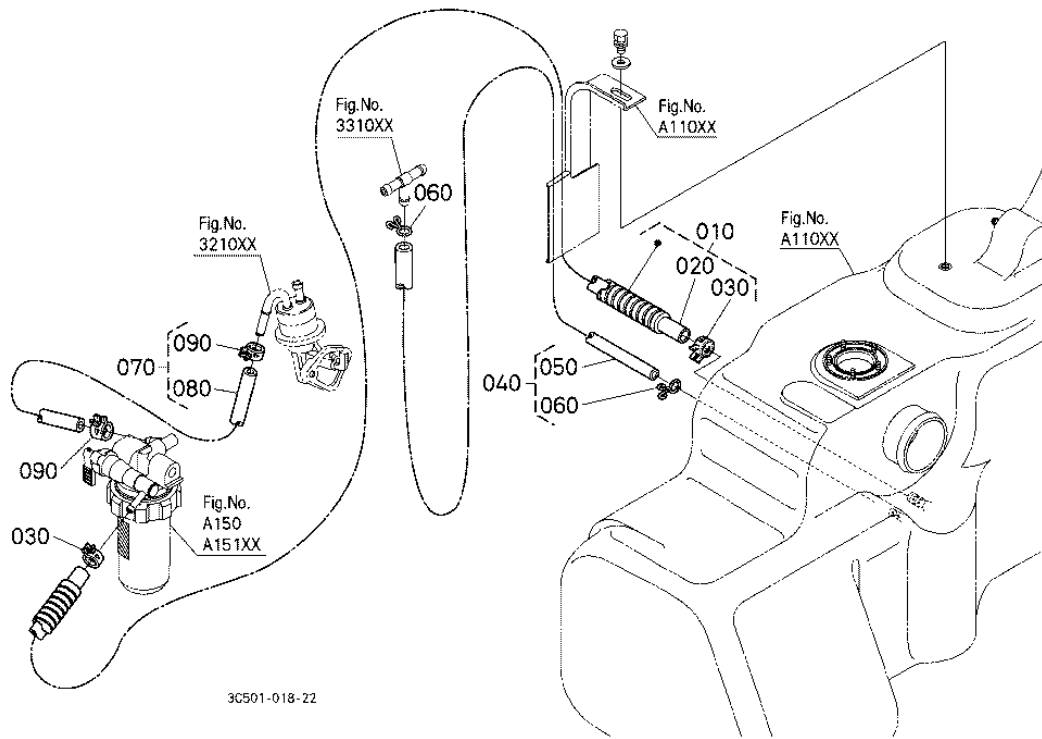
Ref	Part Number	Part Name	Qty	IC	S/N	Lbs	Remarks
010	3C501-04460	ASSY TUBE FUEL	1			0.682	
020	09661-82100	TUBE FUEL	1			0.55	
030	14911-42750	CLIP PIPE	2			0.004	
040	3C081-04470	ASSY TUBE FUEL	1			0.176	
050	09661-41500	TUBE FUEL	1			0.176	
060	14911-42750	CLIP PIPE	2			0.004	
070	3C011-04042	ASSY TUBE FUEL	1			0	

FUEL PIPE [NEW TYPE]

Ref	Part Number	Part Name	Qty	IC	S/N	Lbs	Remarks
080	09661-70250	TUBE FUEL	1			0	
090	14911-42750	CLIP PIPE	2			0.004	
100	3C001-04010	BRACKET	1			0	
110	01754-50816	BOLT FLANGE	1			0.024	
120	5H474-99120	JOINT	1			0.024	
130	09661-70050	TUBE FUEL	1			0.013	
140	14911-42750	CLIP PIPE	2			0.004	

FUEL PIPE [NEW TYPE] ## S.No.;>=54709

Figure Num 01A14002



FUEL PIPE [NEW TYPE]

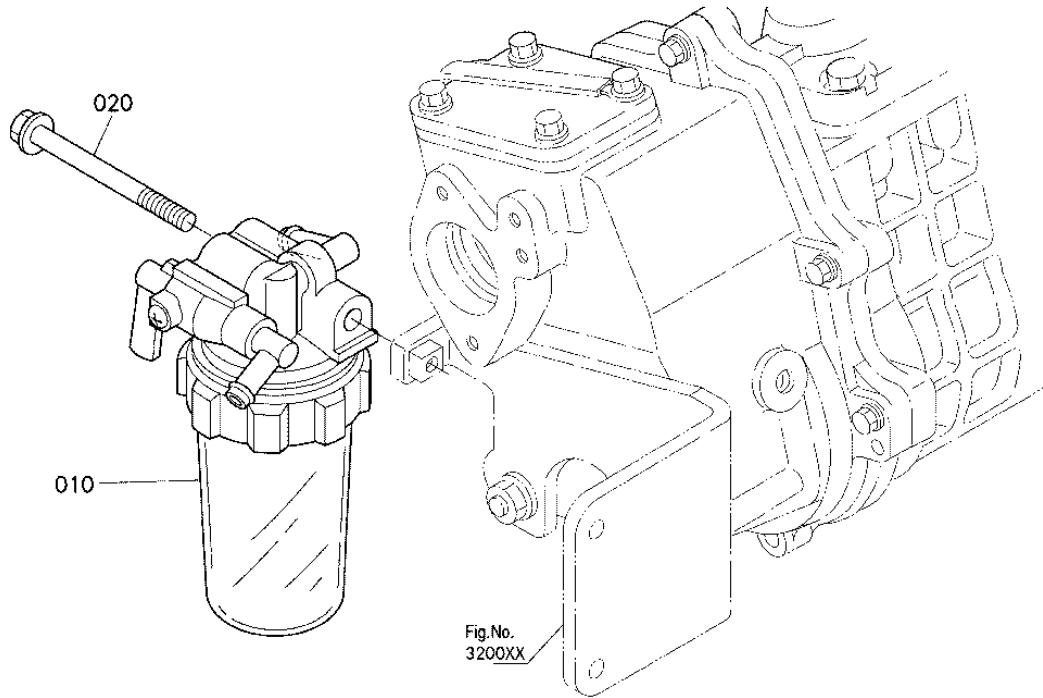
Ref	Part Number	Part Name	Qty	IC	S/N	Lbs	Remarks
010	3C501-04460	ASSY TUBE FUEL	1			0.682	
020	09661-82100	TUBE FUEL	1			0.55	
030	14911-42750	CLIP PIPE	2			0.004	
040	3C081-04470	ASSY TUBE FUEL	1			0.176	
050	09661-41500	TUBE FUEL	1			0.176	
060	14911-42750	CLIP PIPE	2			0.004	
070	3C001-04040	ASSY TUBE FUEL	1			0.055	

FUEL PIPE [NEW TYPE]

Ref	Part Number	Part Name	Qty	IC	S/N	Lbs	Remarks
080	09661-70180	TUBE FUEL	1			0.055	
090	14911-42750	CLIP PIPE	2			0.004	

SEDIMENTER [OLD TYPE] ## S.No.;<=54471

Figure Num 01A150



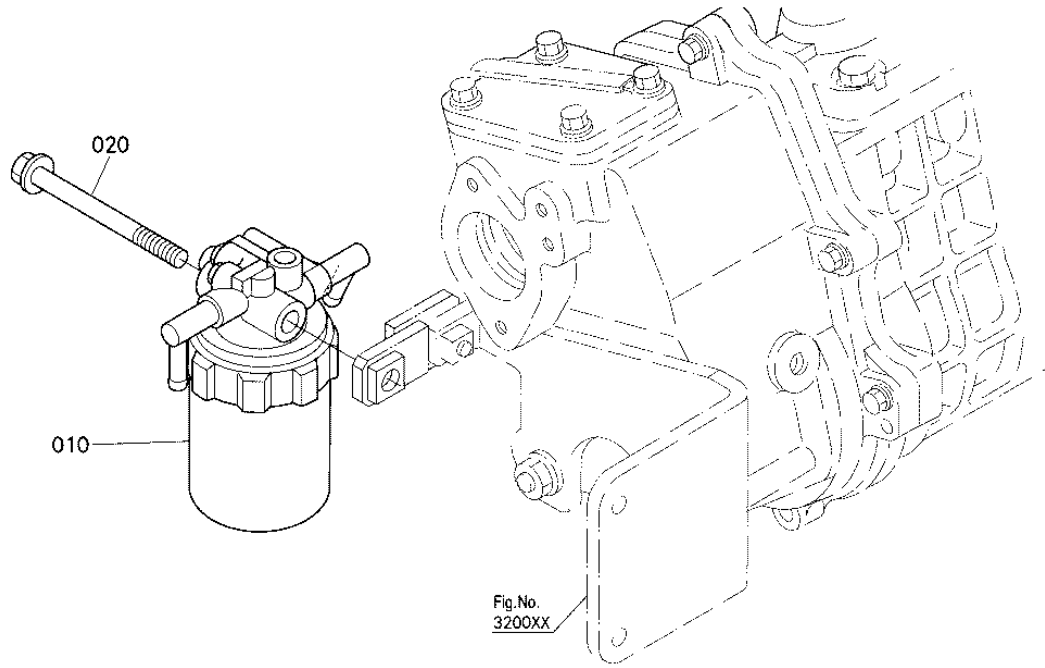
3C051-006-30

SEDIMENTER [OLD TYPE]

Ref	Part Number	Part Name	Qty	IC	S/N	Lbs	Remarks
010	15831-43353	ASSY SEDIMENTER	1			0.715	
020	01754-50860	BOLT FLANGE	1			0.066	

SEPARATOR [NEW TYPE] ## S.No.;54472 to 54708

Figure Num 01A151



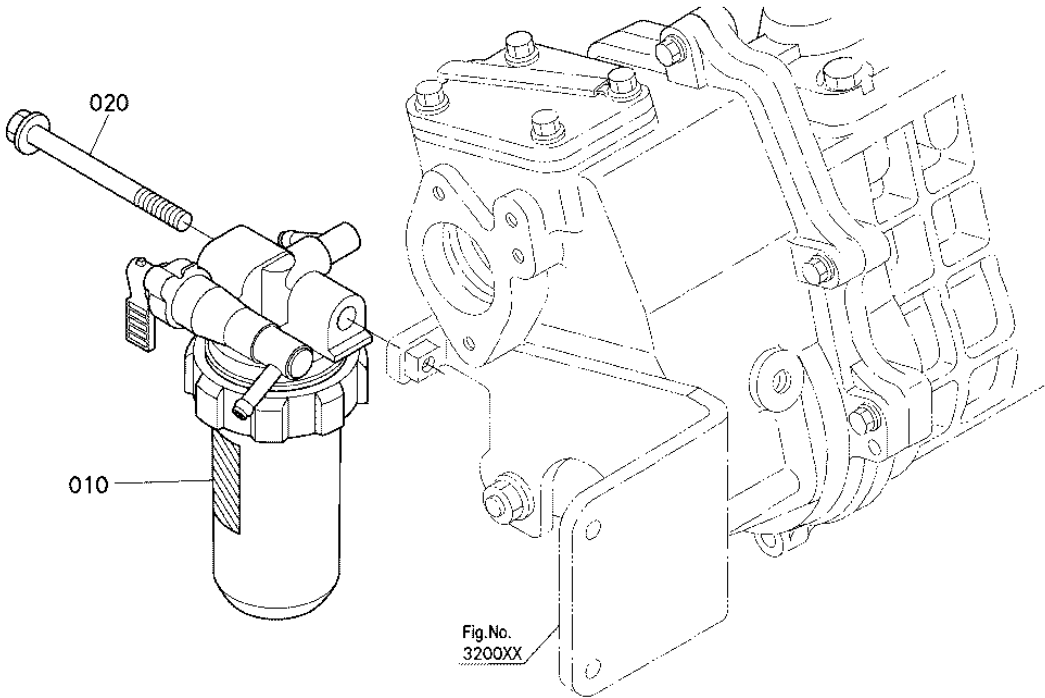
30051-205-10

SEPARATOR [NEW TYPE]

Ref	Part Number	Part Name	Qty	IC	S/N	Lbs	Remarks
010	3C001-04020	ASSY SEPARATOR	1			0	
020	01754-50865	BOLT FLANGE	1			0.059	

SEPARATOR [NEW TYPE] ## S.No.;>=54709

Figure Num 01A15101



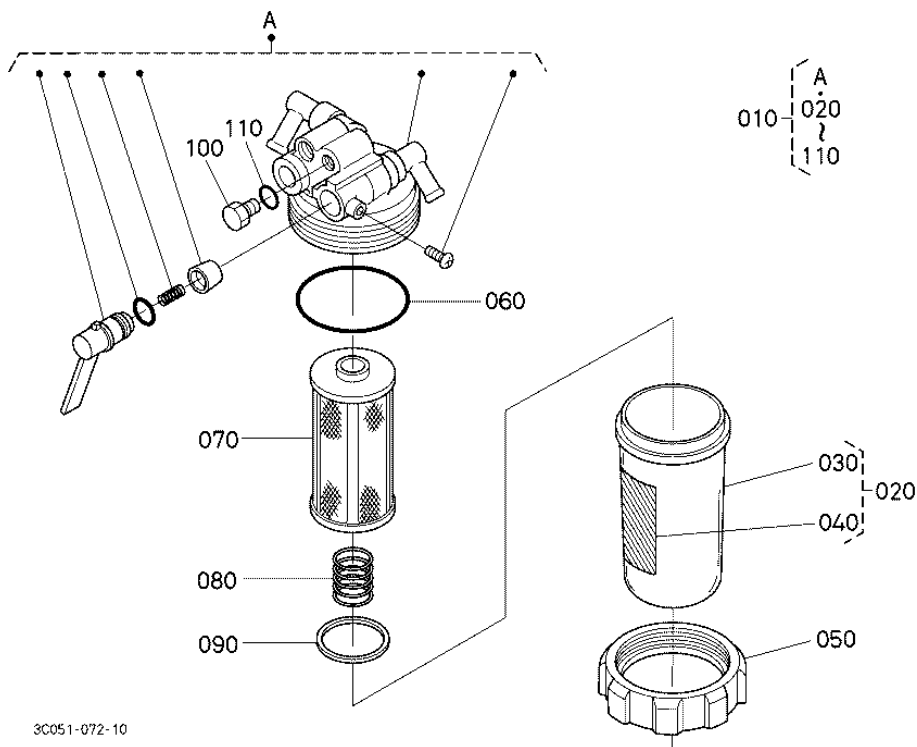
30051-206-10

SEPARATOR [NEW TYPE]

Ref	Part Number	Part Name	Qty	IC	S/N	Lbs	Remarks
010	1G311-43350	ASSY SEPARATOR	1			0.616	
020	01754-50860	BOLT FLANGE	1			0.066	

SEDIMENTER [COMPONENT PARTS] [OLD TYPE] ## S.No.;<=54471

Figure Num 01A160



SEDIMENTER [COMPONENT PARTS] [OLD TYPE]

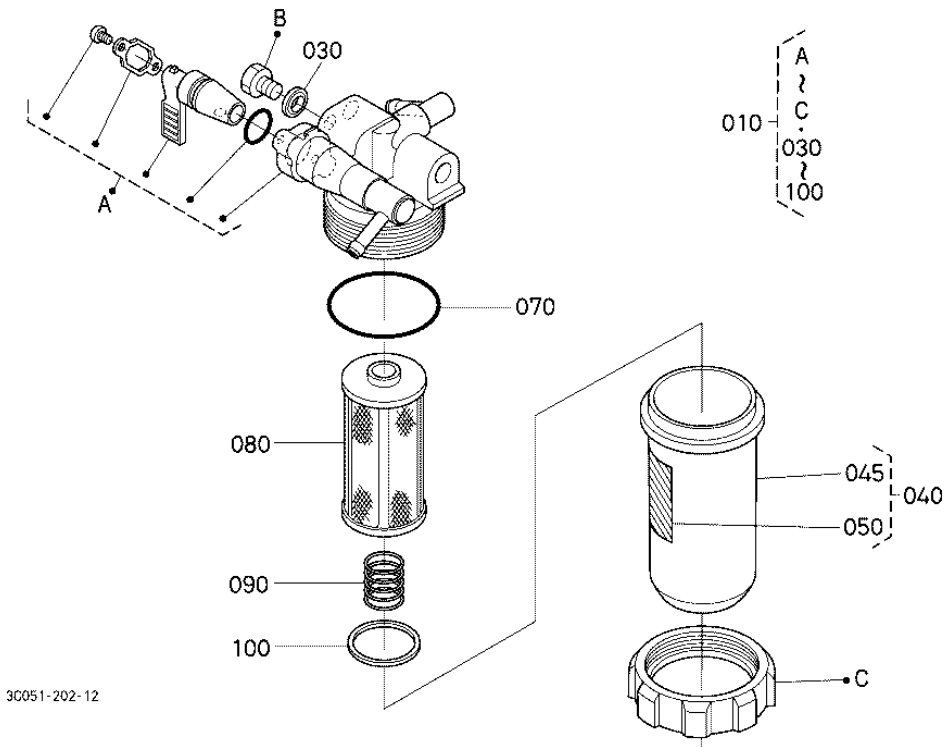
Ref	Part Number	Part Name	Qty	IC	S/N	Lbs	Remarks
010	15831-43353	ASSY SEDIMENTER	1			0.715	
020	15831-43100	ASSY CUP FILTER	1			0.061	
030	16271-43580	CUP FILTER	1			0.099	
040	15831-87462	LABEL	1			0.002	
050	16271-43590	RING RETAINING	1			0.165	
060	16271-43570	O RING FILTER CUP	1			0.002	
070	15831-43380	ELEMENT	1			0.088	

SEDIMENTER [COMPONENT PARTS] [OLD TYPE]

Ref	Part Number	Part Name	Qty	IC	S/N	Lbs	Remarks
080	15831-43930	SPRING	1			0.011	
090	15831-43250	FLOAT	1			0.002	
100	15231-43283	SCREW AIR BLEEDER	1			0.006	
110	04817-00060	O RING	1			0.004	

SEPARATOR [COMPONENT PARTS] [NEW TYPE] ## S.No.;>=54709

Figure Num 01A161



3C051-202-12

SEPARATOR [COMPONENT PARTS] [NEW TYPE]

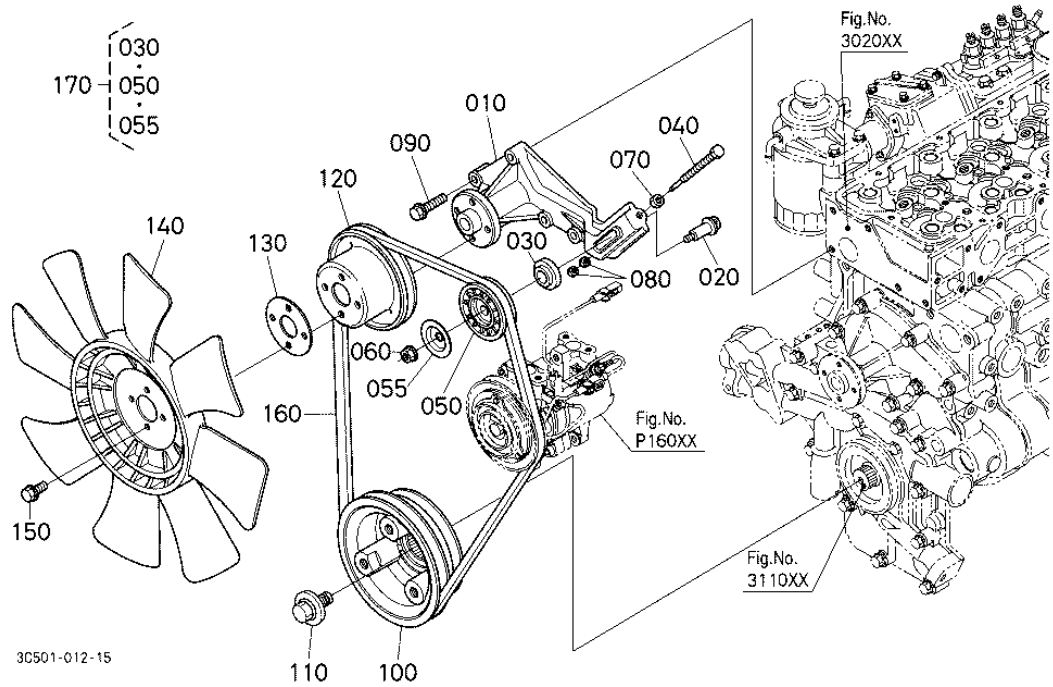
Ref	Part Number	Part Name	Qty	IC	S/N	Lbs	Remarks
010	1G311-43350	ASSY SEPARATOR	1			0.616	
030	1G311-43340	GASKET	1			0	
040	1G311-43100	ASSY CUP FILTER	1			0	
045	1G311-43580	CUP FILTER	1			0	
050	1G311-87460	LABEL	1			0	
070	1G311-43570	O RING	1			0	
080	1G311-43380	ELEMENT	1			0	

SEPARATOR [COMPONENT PARTS] [NEW TYPE]

Ref	Part Number	Part Name	Qty	IC	S/N	Lbs	Remarks
090	1G311-43930	SPRING	1			0.015	
100	1G311-43250	FLOAT	1			0.002	

FAN [OLD TYPE] ## S.No.;<=54787 [NOTE:ORDER BY REF.No.130140 and 150 NEW PARTS.]

Figure Num 01A41001



FAN [OLD TYPE]

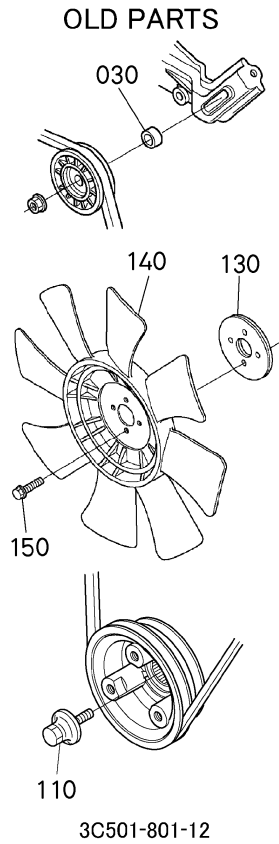
Ref	Part Number	Part Name	Qty	IC	S/N	Lbs	Remarks
010	1G772-74100	COMP.BRACKET FAN	1			2.09	
020	1G772-74330	SHAFT TENSION PULLEY	1			0.165	
030	1G772-74430	COLLAR TENSION PULL.	1		<=52638	0.055	ORDER BY REF.No.03
030	1G772-74432	COLLAR TENSION PULL.	1	>>	>=52639	0.055	
040	1G772-74940	BOLT	1			0.077	
050	50680-58110	PULLEY	1		<=52540	0.176	

FAN [OLD TYPE]

Ref	Part Number	Part Name	Qty	IC	S/N	Lbs	Remarks
050	1G772-74320	PULLEY TENSION	1	>>	>=52541	0.176	
055	1G772-74770	COVER TENSION PULLEY	1		>=52639	0.022	
060	02771-60100	NUT FLANGE	1			0.022	
070	02114-50080	NUT	1			0.011	
080	02012-60060	NUT	2			0.011	
090	01754-50840	BOLT FLANGE	4			0.044	
100	1G775-74280	PULLEY FAN DRIVE	1			5.104	
110	1J700-91010	BOLT	1	=		0.422	
110	1C010-91010	BOLT	1			0.418	
120	17365-74252	PULLEY FAN	1			0.77	
130	3C501-16230	WASHER FAN	1		<=50512	0	
130	3C001-16230	WASHER FAN	1	>>	>=50513	0.165	
140	1G775-74110	FAN	1		<=50512	0	SEE NOTE
140	1G775-74112	FAN	1	NI	>=50513	1.826	
150	01754-50625	BOLT FLANGE	4		<=50512	0.017	
150	01754-50620	BOLT FLANGE	4	NI	>=50513	0.015	
160	1G770-97020	V BELT	1			0.264	
170	1G772-74890	KIT PULLEY TENSION	1			0	

FAN [OLD TYPE] ## S.No.;<=54787 [NOTE:ORDER BY REF.No.130140 and 150 NEW PARTS.]

Figure Num 01A41001



FAN [OLD TYPE]

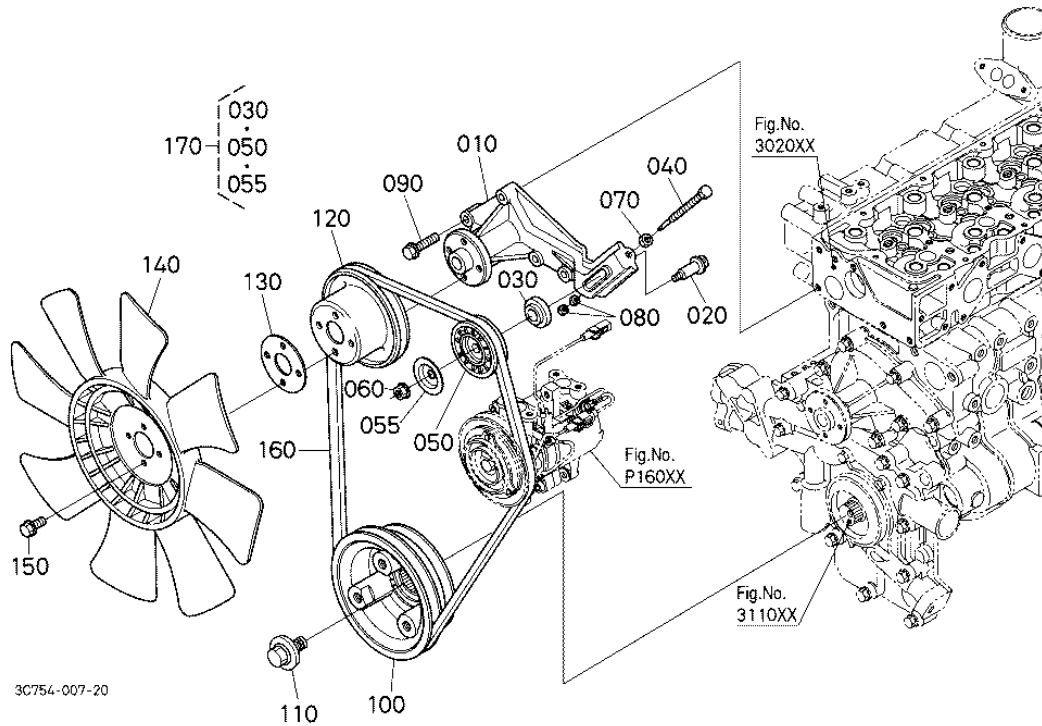
Ref	Part Number	Part Name	Qty	IC	S/N	Lbs	Remarks
030	1G772-74432	COLLAR TENSION PULL.	1	>>	>=52639	0.055	
030	1G772-74430	COLLAR TENSION PULL.	1		<=52638	0.055	ORDER BY REF.No.03
110	1C010-91010	BOLT	1			0.418	
110	1J700-91010	BOLT	1	=		0.422	
130	3C001-16230	WASHER FAN	1	>>	>=50513	0.165	
130	3C501-16230	WASHER FAN	1		<=50512	0	

FAN [OLD TYPE]

Ref	Part Number	Part Name	Qty	IC	S/N	Lbs	Remarks
140	1G775-74112	FAN	1	NI	>=50513	1.826	
140	1G775-74110	FAN	1		<=50512	0	SEE NOTE
150	01754-50620	BOLT FLANGE	4	NI	>=50513	0.015	
150	01754-50625	BOLT FLANGE	4		<=50512	0.017	

FAN [NEW TYPE] ## S.No.;>=80001

Figure Num 01A41002



FAN [NEW TYPE]

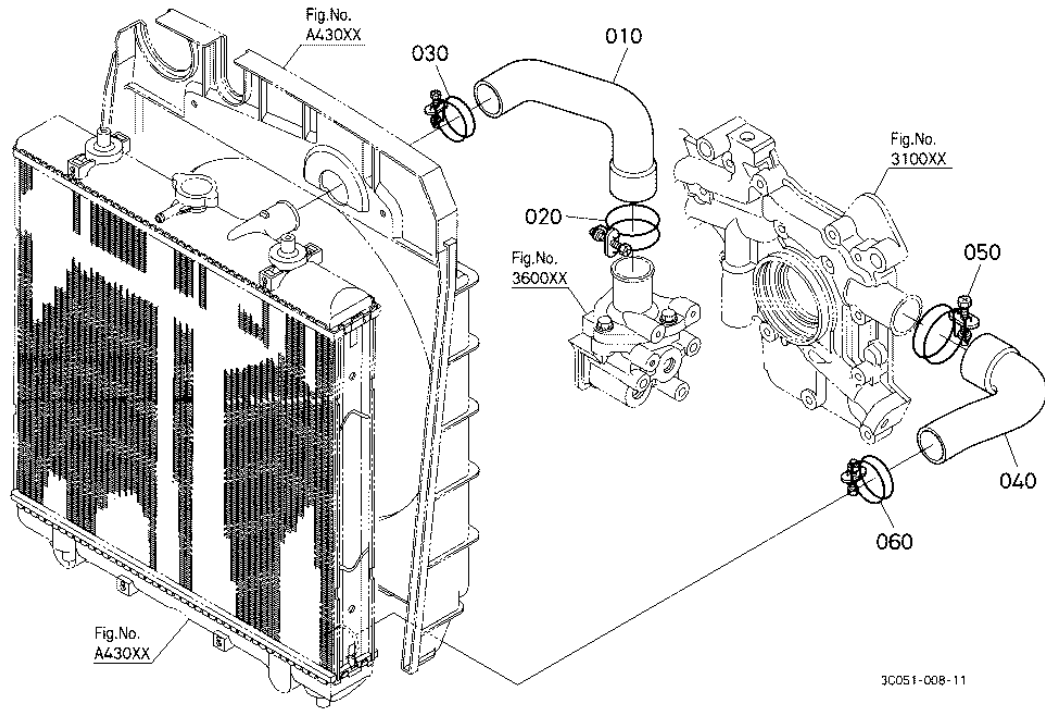
Ref	Part Number	Part Name	Qty	IC	S/N	Lbs	Remarks
010	1G772-74100	COMP.BRACKET FAN	1			2.09	
020	1G772-74330	SHAFT TENSION PULLEY	1			0.165	
030	1G772-74432	COLLAR TENSION PULL.	1			0.055	
040	1G772-74940	BOLT	1			0.077	
050	1G772-74320	PULLEY TENSION	1			0.176	
055	1G772-74770	COVER TENSION PULLEY	1			0.022	
060	02771-60100	NUT FLANGE	1			0.022	

FAN [NEW TYPE]

Ref	Part Number	Part Name	Qty	IC	S/N	Lbs	Remarks
070	02114-50080	NUT	1			0.011	
080	02012-60060	NUT	2			0.011	
090	01754-50840	BOLT FLANGE	4			0.044	
100	1G775-74280	PULLEY FAN DRIVE	1			5.104	
110	1J700-91010	BOLT	1			0.422	
120	17365-74252	PULLEY FAN	1			0.77	
130	3C001-16230	WASHER FAN	1			0.165	
140	1G775-74112	FAN	1			1.826	
150	01754-50620	BOLT FLANGE	4			0.015	
160	1G770-97020	V BELT	1			0.264	
170	1G772-74890	KIT PULLEY TENSION	1			0	

WATER PIPE

Figure Num 01A420



WATER PIPE

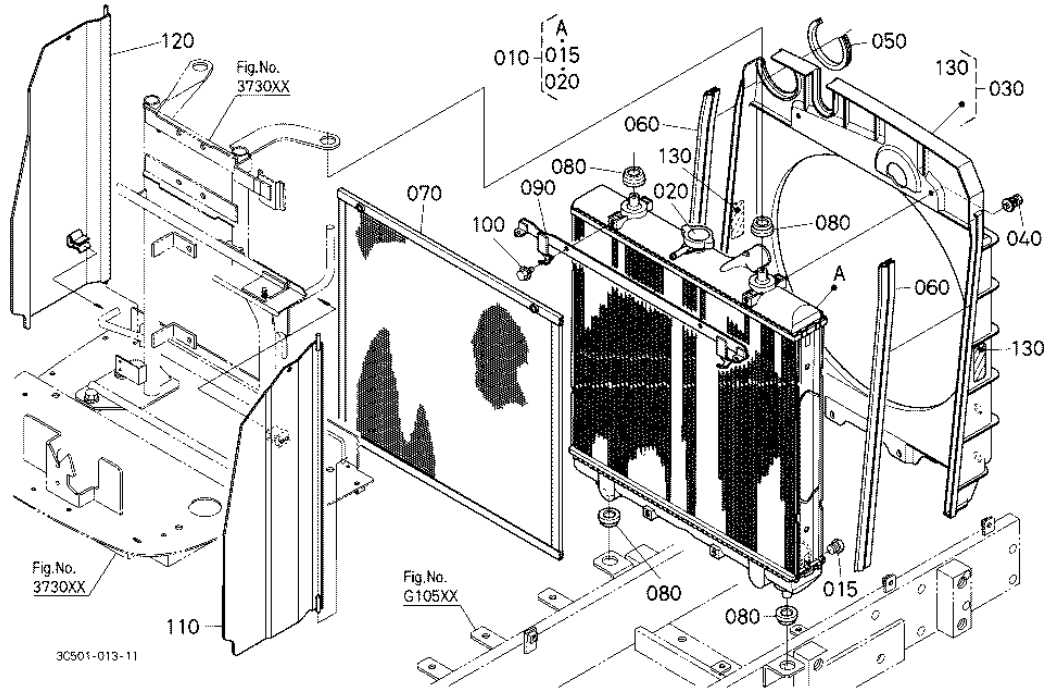
Ref	Part Number	Part Name	Qty	IC	S/N	Lbs	Remarks
010	3C001-17460	HOSE WATER UPPER	1			0.528	
020	15261-11720	CLAMP HOSE	1	=		0.066	
020	09318-89050	BAND PIPE	1			0	
030	15108-72870	BAND	1			0.059	
040	3C001-17450	HOSE WATER LOWER	1			0.418	
050	15261-11720	CLAMP HOSE	1	=		0.066	
050	09318-89050	BAND PIPE	1			0	

WATER PIPE

Ref	Part Number	Part Name	Qty	IC	S/N	Lbs	Remarks
060	66704-58250	CLAMP	1			0.055	

RADIATOR

Figure Num 01A430



RADIATOR

Ref	Part Number	Part Name	Qty	IC	S/N	Lbs	Remarks
010	3C001-17100	ASSY RADIATOR	1			11.44	
015	3C001-17130	ASSY PLUG RADIATOR	1			0.006	
020	3C001-17110	ASSY CAP RADIATOR	1			0.088	
030	3C001-97350	KIT SHROUD	1			2.244	
040	01027-50616	BOLT	4			0.022	
050	3C081-17290	TRIM	1			0.015	
060	3C081-17200	TRIM	2			0.169	

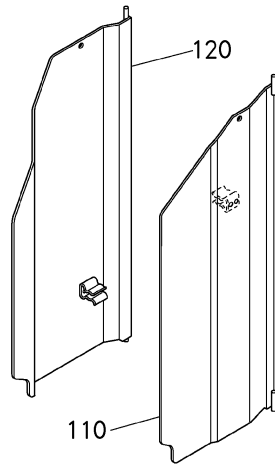
RADIATOR

Ref	Part Number	Part Name	Qty	IC	S/N	Lbs	Remarks
070	3C081-17410	NET RADIATOR	1			0.528	
080	34070-16030	RUBBER	4			0.033	
090	3C081-17360	STAY NET	1			0.374	
100	01754-50612	BOLT FLANGE	2			0.011	
110	3C081-17373	PLATE LH	1		<=52728	0	
110	3C081-17375	PLATE LH	1	>>	>=52729	2.398	
120	3C081-17383	PLATE RH	1		<=52728	2.464	
120	3C081-17385	PLATE RH	1	>>	>=52729	2.464	
130	6C090-49580	LABEL FAN WARNING	1			0.002	

RADIATOR

Figure Num 01A430

OLD PARTS



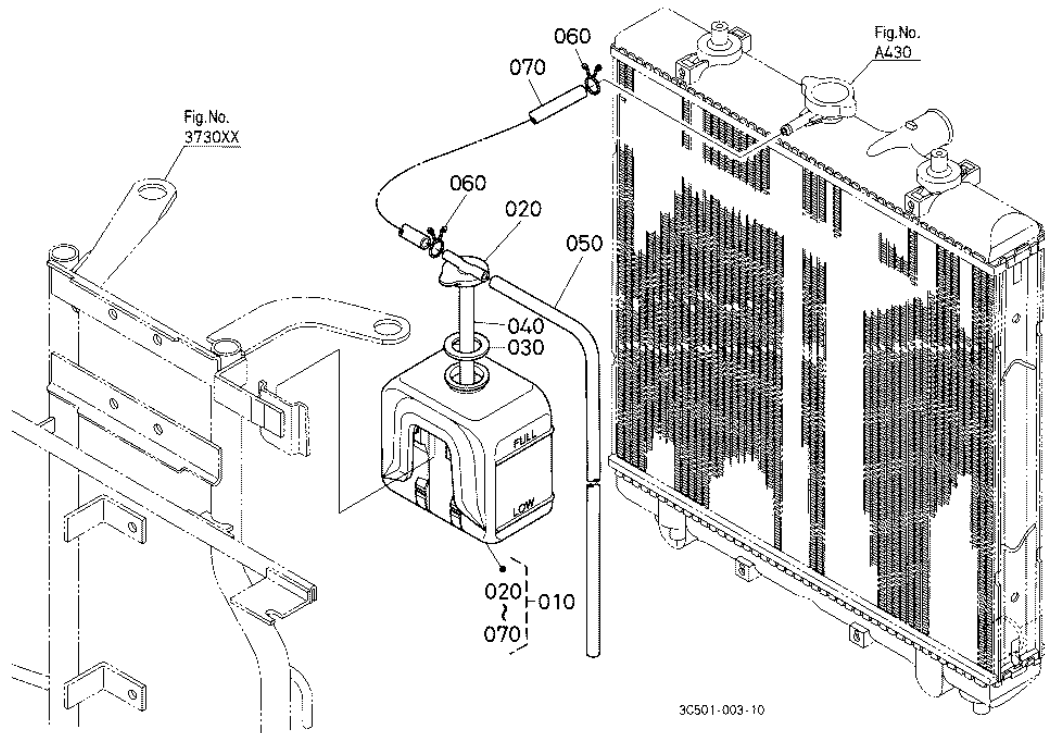
3C501-832-10

RADIATOR

Ref	Part Number	Part Name	Qty	IC	S/N	Lbs	Remarks
110	3C081-17375	PLATE LH	1	>>	>=52729	2.398	
110	3C081-17373	PLATE LH	1		<=52728	0	
120	3C081-17385	PLATE RH	1	>>	>=52729	2.464	
120	3C081-17383	PLATE RH	1		<=52728	2.464	

RESERVE TANK

Figure Num 01A450

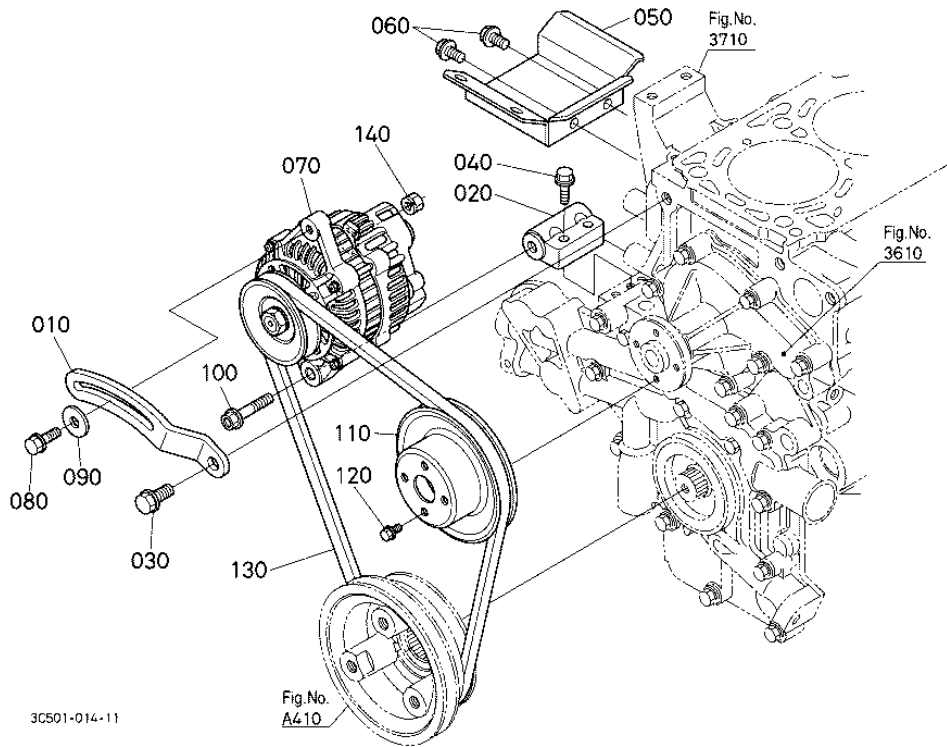


RESERVE TANK

Ref	Part Number	Part Name	Qty	IC	S/N	Lbs	Remarks
010	3C081-17302	ASSY TANK RESERVE	1			0.814	
020	15531-72422	CAP	1			0.002	
030	15531-72432	GASKET	1			0.004	
040	5H730-25660	TUBE	1			0.028	
050	19839-72440	HOSE RUBBER	1			0.176	
060	15501-72470	CLIP PIPE	2			0.011	
070	59240-25470	PIPE WATER OVER FLOW	1			0.066	

ALTERNATOR [A]

Figure Num 01A54001



ALTERNATOR [A]

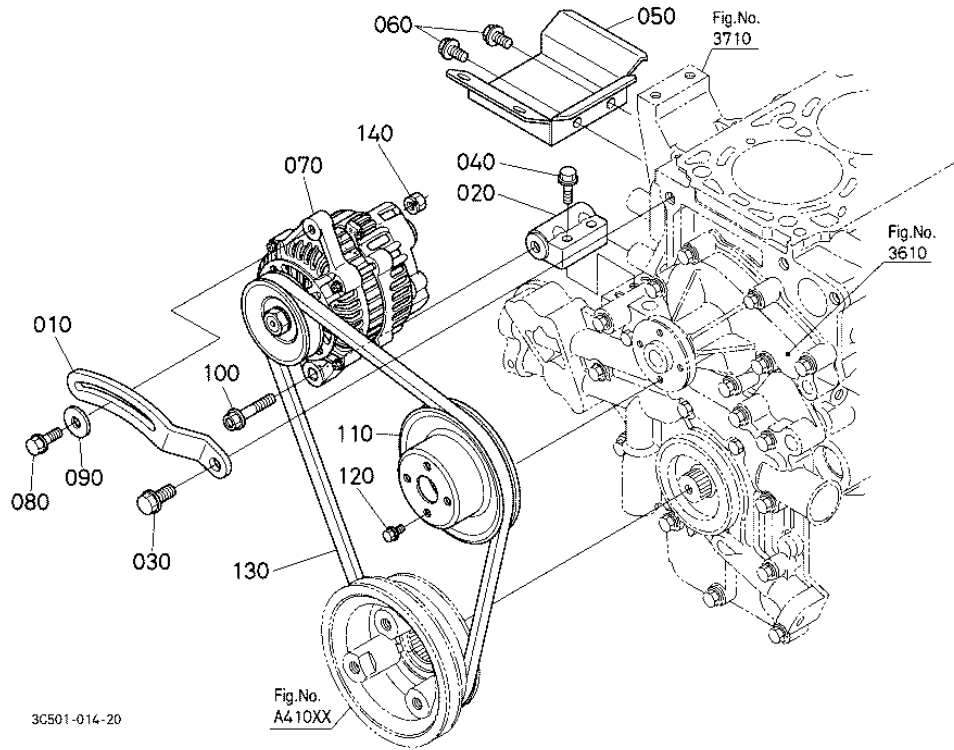
Ref	Part Number	Part Name	Qty	IC	S/N	Lbs	Remarks
010	1G772-64420	STAY DYNAMO	1			0.33	
020	1G772-64350	SUPPORT DYNAMO	1			0.77	
030	01774-51225	BOLT FLANGE	1			0.088	
040	01755-50830	BOLT FLANGE	2			0.198	
050	1G772-64692	COVER DYNAMO	1			0.572	
060	01754-50814	BOLT FLANGE	2			0.011	
070	3C581-74010	ASSY ALTERNATOR	1	>>		8.8	60A NEW PART

ALTERNATOR [A]

Ref	Part Number	Part Name	Qty	IC	S/N	Lbs	Remarks
070	3A651-74010	ASSY ALTERNATOR	1			8.8	60A OLD PART
080	01754-50825	BOLT FLANGE	1			0.022	
090	04015-60080	WASHER PLAIN	1			0.022	
100	01774-51050	BOLT FLANGE	1			0.081	
110	17490-74252	PULLEY FAN	1			0.88	
120	01754-50612	BOLT FLANGE	4			0.011	
130	1G772-97010	V BELT	1			0.22	
140	12264-92020	NUT SPRING WASHER M	1			0.11	

ALTERNATOR [A]

Figure Num 01A54002



ALTERNATOR [A]

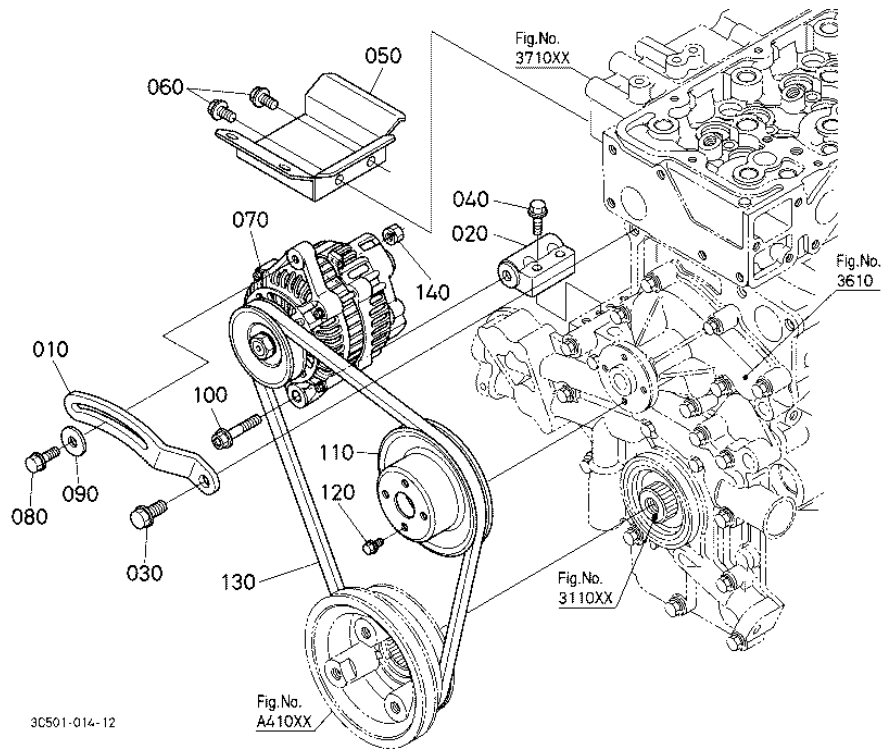
Ref	Part Number	Part Name	Qty	IC	S/N	Lbs	Remarks
010	1G772-64420	STAY DYNAMO	1			0.33	
020	1G772-64350	SUPPORT DYNAMO	1			0.77	
030	01774-51225	BOLT FLANGE	1			0.088	
040	01755-50830	BOLT FLANGE	2			0.198	
050	1G772-64692	COVER DYNAMO	1			0.572	
060	01754-50814	BOLT FLANGE	2			0.011	
070	3C581-74010	ASSY ALTERNATOR	1	>>	>=51190	8.8	60A

ALTERNATOR [A]

Ref	Part Number	Part Name	Qty	IC	S/N	Lbs	Remarks
070	3A651-74010	ASSY ALTERNATOR	1		<=51189	8.8	60A
080	01754-50825	BOLT FLANGE	1			0.022	
090	04015-60080	WASHER PLAIN	1			0.022	
100	01774-51050	BOLT FLANGE	1			0.081	
110	17490-74252	PULLEY FAN	1			0.88	
120	01754-50612	BOLT FLANGE	4			0.011	
130	1G772-97010	V BELT	1			0.22	
140	12264-92020	NUT SPRING WASHER M	1			0.11	

ALTERNATOR [A] [OLD TYPE] ## S.No.;<=54787

Figure Num 01A54003



ALTERNATOR [A] [OLD TYPE]

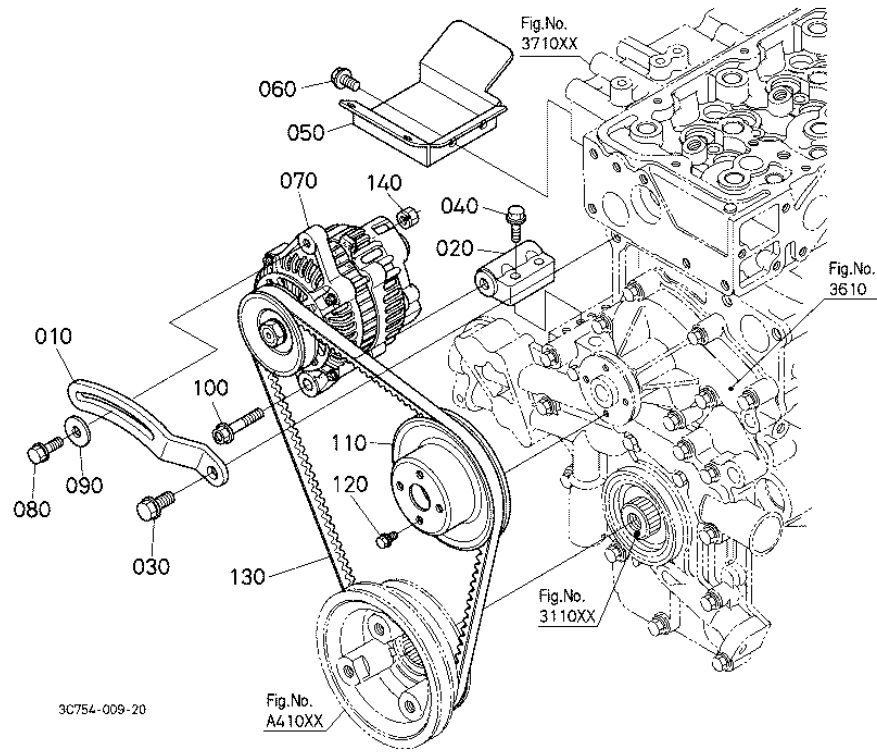
Ref	Part Number	Part Name	Qty	IC	S/N	Lbs	Remarks
010	1G772-64420	STAY DYNAMO	1			0.33	
020	1G772-64350	SUPPORT DYNAMO	1			0.77	
030	01774-51225	BOLT FLANGE	1			0.088	
040	01755-50830	BOLT FLANGE	2			0.198	
050	1G772-64692	COVER DYNAMO	1			0.572	
060	01754-50814	BOLT FLANGE	2			0.011	
070	3C581-74010	ASSY ALTERNATOR	1	>>	>=51190	8.8	60A

ALTERNATOR [A] [OLD TYPE]

Ref	Part Number	Part Name	Qty	IC	S/N	Lbs	Remarks
070	3A651-74010	ASSY ALTERNATOR	1		<=51189	8.8	60A
080	01754-50825	BOLT FLANGE	1			0.022	
090	04015-60080	WASHER PLAIN	1			0.022	
100	01774-51050	BOLT FLANGE	1			0.081	
110	17490-74252	PULLEY FAN	1			0.88	
120	01754-50612	BOLT FLANGE	4			0.011	
130	1G772-97010	V BELT	1			0.22	
140	12264-92020	NUT SPRING WASHER M	1			0.11	

ALTERNATOR [A] [NEW TYPE] ## S.No.;>=80001

Figure Num 01A54004



3C754-009-20

Fig.No.
A410XX

ALTERNATOR [A] [NEW TYPE]

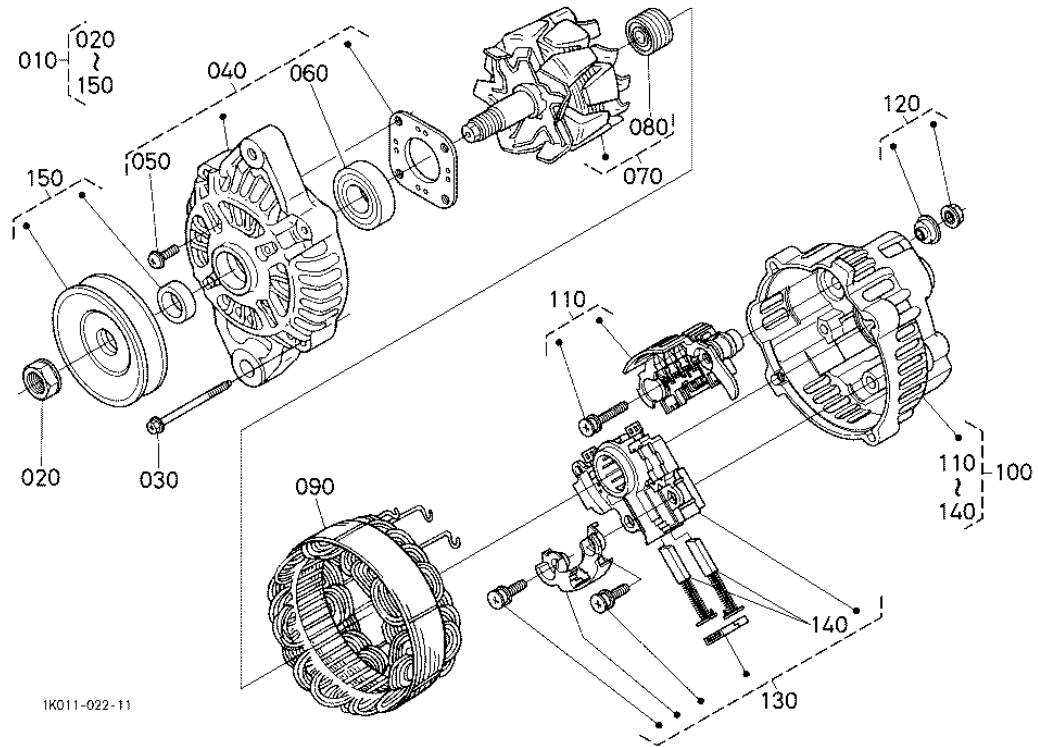
Ref	Part Number	Part Name	Qty	IC	S/N	Lbs	Remarks
010	1G772-64420	STAY DYNAMO	1			0.33	
020	1G772-64350	SUPPORT DYNAMO	1			0.77	
030	01774-51225	BOLT FLANGE	1			0.088	
040	01755-50830	BOLT FLANGE	2			0.198	
050	1J751-64690	COVER DYNAMO	1			0	
060	01754-50814	BOLT FLANGE	2			0.011	
070	3C581-74010	ASSY ALTERNATOR	1			8.8	60A

ALTERNATOR [A] [NEW TYPE]

Ref	Part Number	Part Name	Qty	IC	S/N	Lbs	Remarks
080	01754-50825	BOLT FLANGE	1			0.022	
090	04015-60080	WASHER PLAIN	1			0.022	
100	01774-51050	BOLT FLANGE	1			0.081	
110	17490-74252	PULLEY FAN	1			0.88	
120	01754-50612	BOLT FLANGE	4			0.011	
130	1G772-97010	V BELT	1			0.22	
140	12264-92020	NUT SPRING WASHER M	1			0.11	

ALTERNATOR [COMPONENT PARTS] [A]

Figure Num 01A55001



1K011-022-11

ALTERNATOR [COMPONENT PARTS] [A]

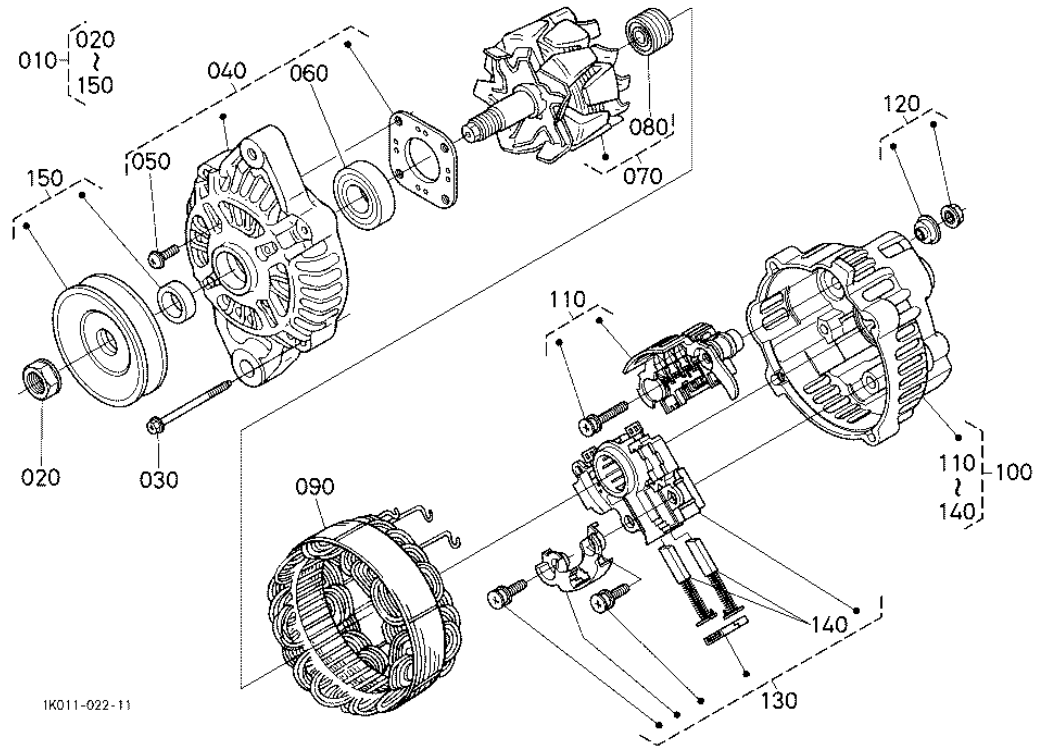
Ref	Part Number	Part Name	Qty	IC	S/N	Lbs	Remarks
010	3C581-74010	ASSY ALTERNATOR	1	>>		8.8	60A NEW PART
010	3A651-74010	ASSY ALTERNATOR	1			8.8	60A OLD PART
020	1C010-92010	NUT	1			0.044	
030	1C010-91050	SET BOLT	1			0.088	
040	1C011-64020	ASSY BRACKET FRONT	1			1.012	
050	1C010-93010	SET BOLT	1			0.028	
060	1C010-64780	BEARING	1			0.134	

ALTERNATOR [COMPONENT PARTS] [A]

Ref	Part Number	Part Name	Qty	IC	S/N	Lbs	Remarks
070	1C011-64120	ASSY ROTOR	1			4.246	
080	1C010-64770	BEARING	1			0.052	
090	1C011-64080	ASSY STATOR	1			1.782	
100	3A651-74040	ASSY BRACKET REAR	1			1.034	OLD PART
100	3C581-74040	ASSY BRACKET REAR	1	>>		1.188	ORDER BY REF.No.01
110	3A651-74030	ASSY RECTIFIER	1			0.242	
120	1K011-92030	SET NUT	1			0.015	
130	3A251-74020	SET REGULATOR	1			0.264	OLD PART
130	3C081-74020	SET REGULATOR	1	>>		0	NEW PART
140	1C010-64310	SET BRUSH	1			0.006	
150	1C010-64110	ASSY PULLEY	1			0.506	

ALTERNATOR [COMPONENT PARTS] [A]

Figure Num 01A55002



1K011-022-11

ALTERNATOR [COMPONENT PARTS] [A]

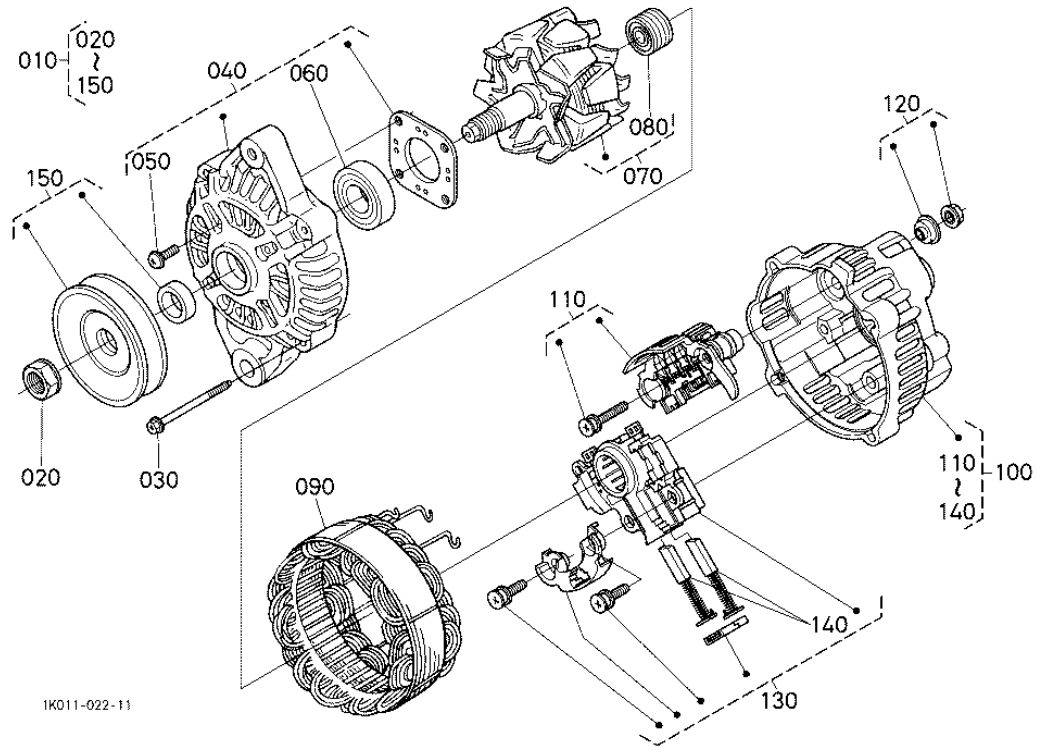
Ref	Part Number	Part Name	Qty	IC	S/N	Lbs	Remarks
010	3C581-74010	ASSY ALTERNATOR	1	>>		8.8	60A NEW PART
010	3A651-74010	ASSY ALTERNATOR	1			8.8	60A OLD PART
020	1C010-92010	NUT	1			0.044	
030	1C010-91050	SET BOLT	1			0.088	
040	1C011-64020	ASSY BRACKET FRONT	1			1.012	
050	1C010-93010	SET BOLT	1			0.028	
060	1C010-64780	BEARING	1			0.134	

ALTERNATOR [COMPONENT PARTS] [A]

Ref	Part Number	Part Name	Qty	IC	S/N	Lbs	Remarks
070	1C011-64120	ASSY ROTOR	1			4.246	
080	1C010-64770	BEARING	1			0.052	
090	1C011-64080	ASSY STATOR	1			1.782	
100	3A651-74040	ASSY BRACKET REAR	1			1.034	OLD PART
100	3C581-74040	ASSY BRACKET REAR	1	>>		1.188	ORDER BY REF.No.01
110	3A651-74030	ASSY RECTIFIER	1			0.242	
120	1K011-92030	SET NUT	1			0.015	
130	3A251-74020	SET REGULATOR	1			0.264	OLD PART
130	3C081-74020	SET REGULATOR	1	>>		0	NEW PART
140	1C010-64310	SET BRUSH	1			0.006	
150	1C010-64110	ASSY PULLEY	1			0.506	

ALTERNATOR [COMPONENT PARTS] [A]

Figure Num 01A55002



1K011-022-11

ALTERNATOR [COMPONENT PARTS] [A]

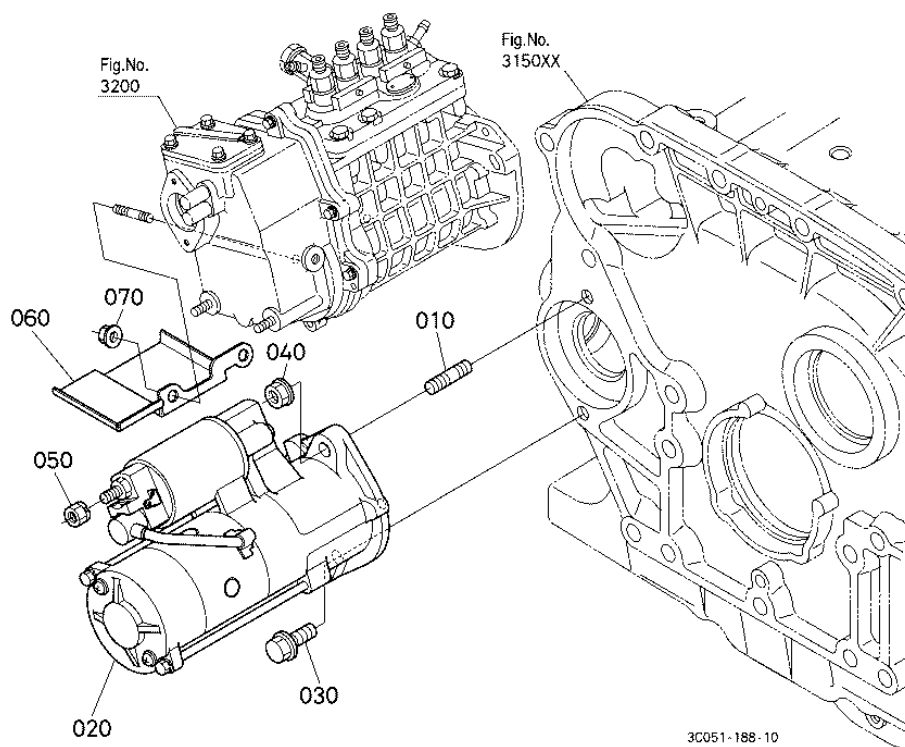
Ref	Part Number	Part Name	Qty	IC	S/N	Lbs	Remarks
010	3C581-74010	ASSY ALTERNATOR	1	>>	>=51190	8.8	60A
010	3A651-74010	ASSY ALTERNATOR	1		<=51189	8.8	60A
020	1C010-92010	NUT	1			0.044	
030	1C010-91050	SET BOLT	1			0.088	
040	1C011-64020	ASSY BRACKET FRONT	1			1.012	
050	1C010-93010	SET BOLT	1			0.028	
060	1C010-64780	BEARING	1			0.134	

ALTERNATOR [COMPONENT PARTS] [A]

Ref	Part Number	Part Name	Qty	IC	S/N	Lbs	Remarks
070	1C011-64120	ASSY ROTOR	1			4.246	
080	1C010-64770	BEARING	1			0.052	
090	1C011-64080	ASSY STATOR	1			1.782	
100	3A651-74040	ASSY BRACKET REAR	1		<=51189	1.034	
100	3C581-74040	ASSY BRACKET REAR	1	NI	>=51190	1.188	
110	3A651-74030	ASSY RECTIFIER	1			0.242	
120	1K011-92030	SET NUT	1			0.015	
130	3A251-74020	SET REGULATOR	1		<=51189	0.264	
130	3C081-74020	SET REGULATOR	1	NI	>=51190	0	
140	1C010-64310	SET BRUSH	1			0.006	
150	1C010-64110	ASSY PULLEY	1			0.506	

STARTER

Figure Num 01A560

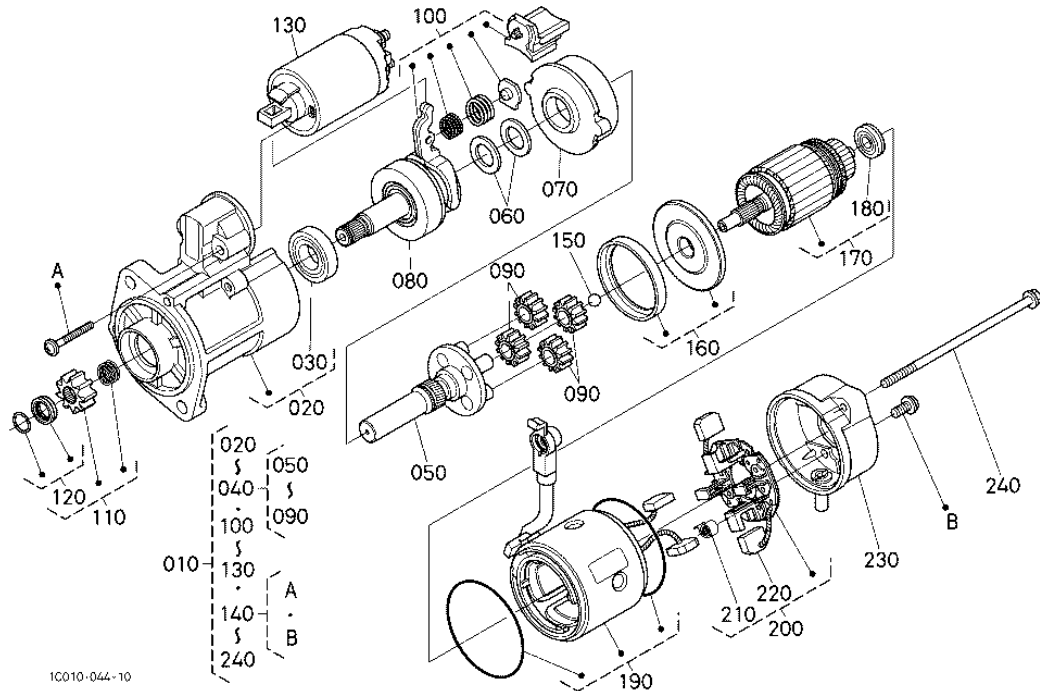


STARTER

Ref	Part Number	Part Name	Qty	IC	S/N	Lbs	Remarks
010	01517-61030	STUD	1			0.046	
020	1G772-63010	ASSY STARTER	1			12.54	
030	01774-51035	BOLT FLANGE	1			0.066	
040	02771-60100	NUT FLANGE	1			0.022	
050	16429-92010	NUT	1			0.015	
060	1G772-63540	COVER STARTER	1			0.286	
070	02751-50080	NUT FLANGE	2			0.013	

STARTER [COMPONENT PARTS]

Figure Num 01A570



1C010-044-10

STARTER [COMPONENT PARTS]

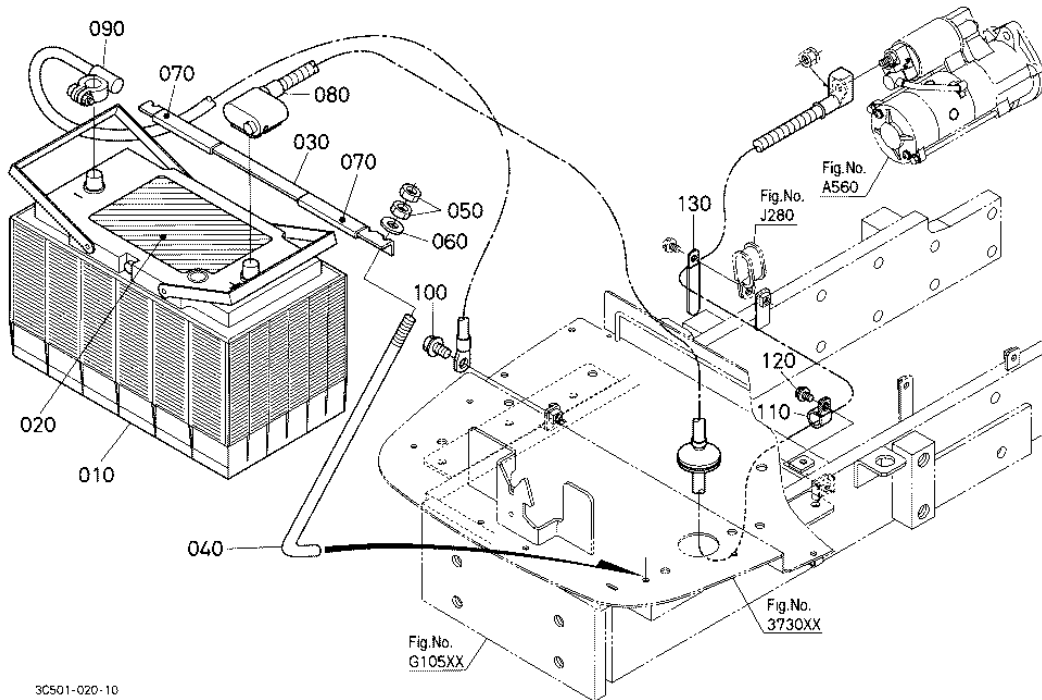
Ref	Part Number	Part Name	Qty	IC	S/N	Lbs	Remarks
010	1G772-63010	ASSY STARTER	1			12.54	
020	1C010-63030	ASSY BRACKET FRONT	1			1.782	
030	1C010-63240	SET BEARING	1			0.154	
040	1C010-63040	ASSY SHAFT CLUTCH	1			2.244	
050	1C010-63210	ASSY SHAFT GEAR	1			0.528	
060	1C010-63410	SET WASHER	1			0.026	
070	1C010-63260	SET INTERNAL GEAR	1			0.242	

STARTER [COMPONENT PARTS]

Ref	Part Number	Part Name	Qty	IC	S/N	Lbs	Remarks
080	1C010-63330	CLUTCH OVER RUNNING	1			1.32	
090	1C010-63270	ASSY GEAR	4			0.033	
100	1C010-63050	ASSY LEVER SET	1			0.176	
110	1C010-63280	SET PINION	1			0.154	
120	1C010-63170	SET STOPPER	1			0.013	
130	1C010-63020	ASSY SWITCH MAGNETIC	1			2.288	
140	1C010-63760	SET SCREW	1			0.059	
150	6C040-82690	BALL	1			0.002	
160	1C010-63520	SET PACKING	1			0.132	
170	1C010-63070	ASSY ARMATURE	1			2.112	
180	1C010-63250	BEARING	1			0.044	
190	1G772-63080	ASSY YOKE	1			2.662	
200	1C010-63380	ASSY HOLDER BRUSH	1			0.198	
210	1C010-63390	BRUSH SPRING	4			0.008	
220	1C010-63370	BRUSH	2			0.094	
230	1G772-63200	ASSY BRACKET REAR	1			0.275	
240	1C010-63320	SET BOLT	1			0.11	

BATTERY

Figure Num 01A580



3C501-020-10

BATTERY

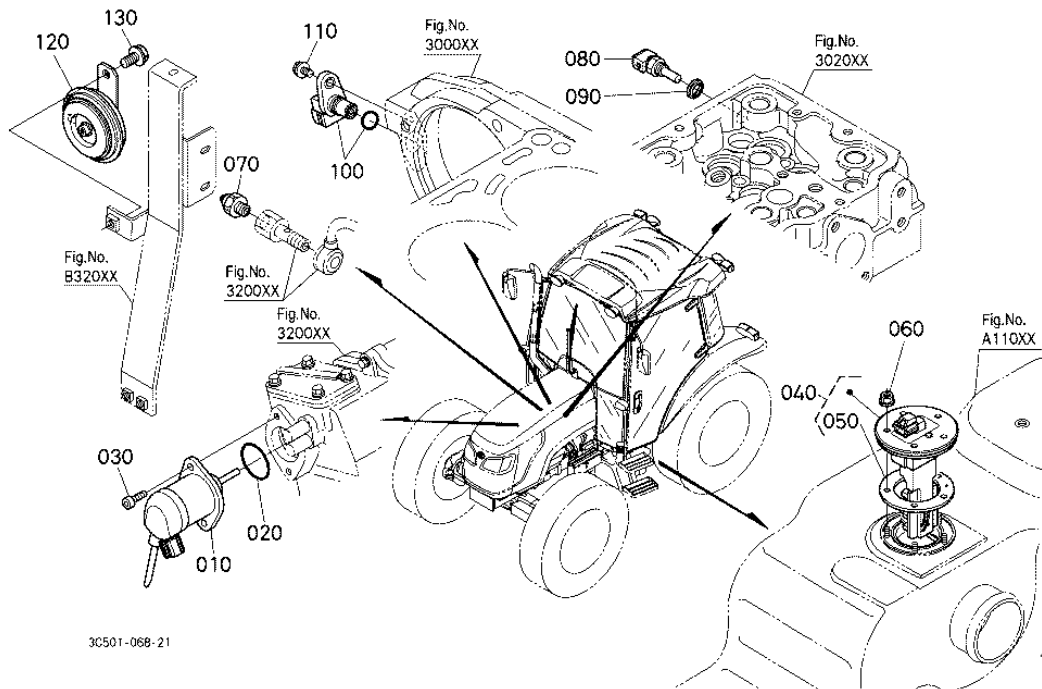
Ref	Part Number	Part Name	Qty	IC	S/N	Lbs	Remarks
010	99999-99999	BATTERY	1			0	105E41R
020	3N300-98920	LABEL BATTERY	1			0.011	ENGLISH
030	3A211-74352	RETAINER BATTERY	1			0.781	
040	3C081-74360	BOLT HOOK(BATTERY)	2			0.11	
050	02014-50060	NUT	4			0.004	
060	04015-60060	WASHER PLAIN	2			0.011	
070	38430-29670	CUSHION	2			0.022	

BATTERY

Ref	Part Number	Part Name	Qty	IC	S/N	Lbs	Remarks
080	3C081-77112	CORD BATTERY	1			2.618	
090	3C081-77122	CORD BATTERY EARTH	1			0.77	
100	01774-51016	BOLT FLANGE	1			0.044	
110	52200-41160	CLAMP CORD	1			0.022	
120	01754-50812	BOLT FLANGE	1			0.022	
130	12234-67580	CLAMP CORD	1			0.026	

SWITCH/SENSOR (ENGINE/FUEL UNIT)

Figure Num 01B015



SWITCH/SENSOR (ENGINE/FUEL UNIT)

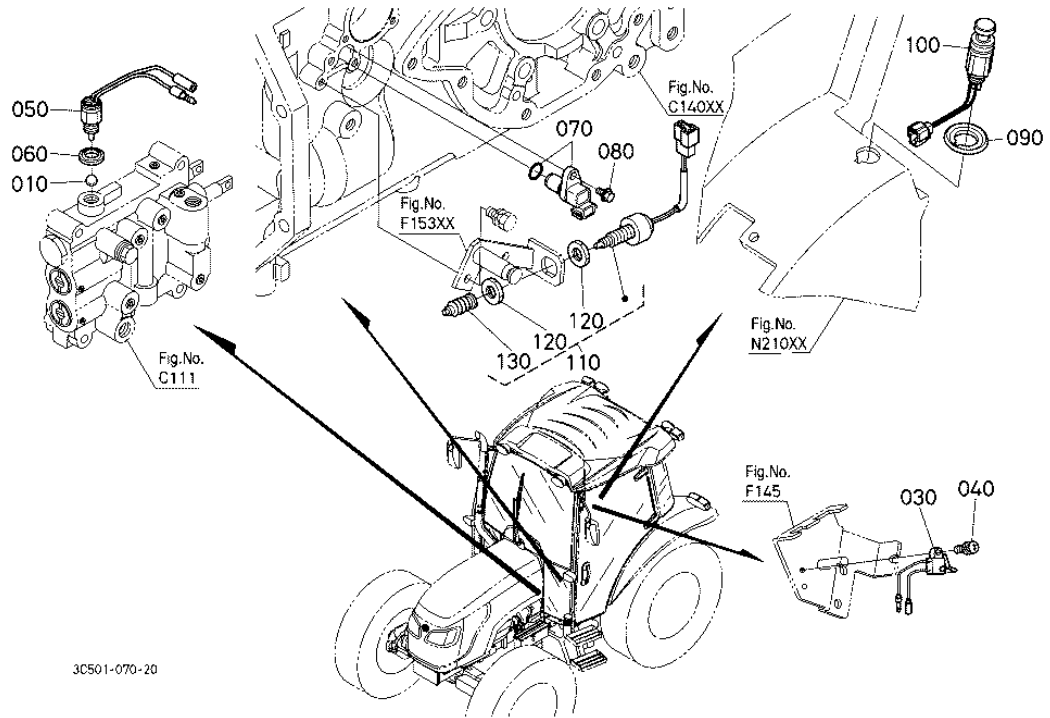
Ref	Part Number	Part Name	Qty	IC	S/N	Lbs	Remarks
010	1G772-60012	ASSY SOLENOID	1	>>	>=52420	0.638	
010	1G772-60010	ASSY SOLENOID	1		<=52419	0	
020	04814-06310	O RING	1			0.004	
030	01311-10614	BOLT HEX-SOC-HD	2			0.011	
040	3C581-75302	ASSY UNIT FUEL	1	>>	>=52300	0.352	
040	3C581-75300	ASSY UNIT FUEL	1		<=52299	0.352	
050	3C081-75310	GASKET UNIT FUEL	1			0.022	

SWITCH/SENSOR (ENGINE/FUEL UNIT)

Ref	Part Number	Part Name	Qty	IC	S/N	Lbs	Remarks
060	02761-50050	NUT FLANGE	5			0.004	
070	15841-39010	SWITCH OIL	1			0.066	
080	16415-83040	SENSOR THERMO	1			0.066	
090	04717-01200	WASHER WITH RUBBER	1			0.004	
100	T1060-32270	SENSOR REVOLUTION	1			0.048	
110	01754-50616	BOLT FLANGE	1			0.013	
120	RD809-53710	ASSY HORN	1		>=80001	0.451	
130	30400-18870	BOLT FLANGE	1		>=80001	0.022	

SWITCH/SENSOR (REAR)

Figure Num 01B02003



SWITCH/SENSOR (REAR)

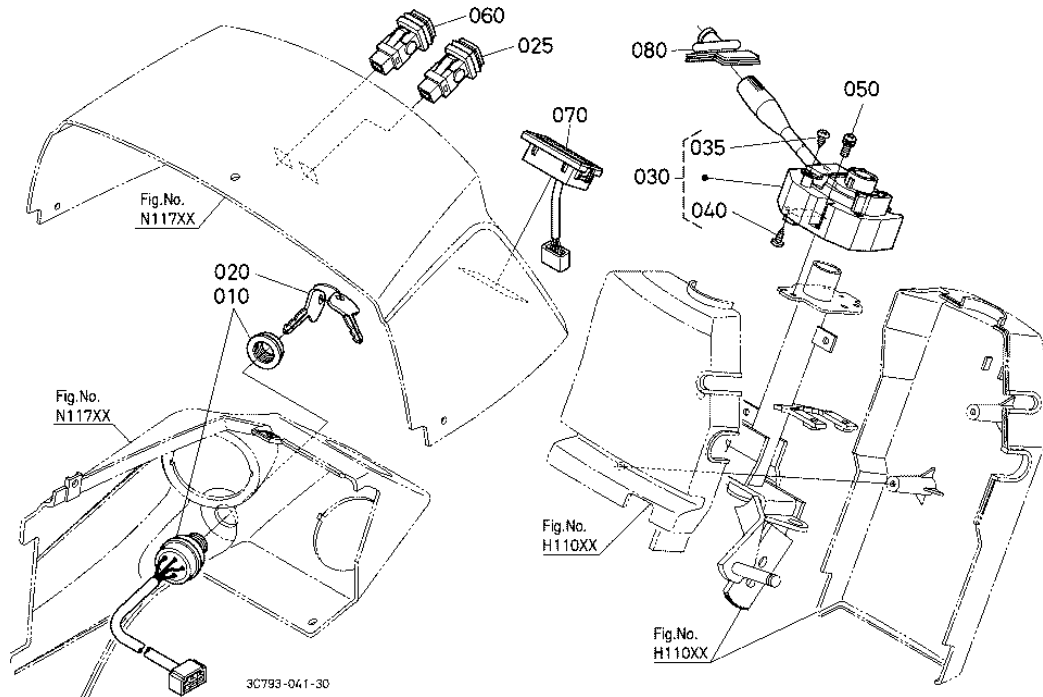
Ref	Part Number	Part Name	Qty	IC	S/N	Lbs	Remarks
010	07715-01605	BALL	1			0.006	
030	TA040-43900	SWITCH LEVER	1			0.017	
040	03024-50414	SCREW WITH WASHER	1			0.004	
050	3A051-75100	SWITCH	1			0.066	
060	04717-01400	WASHER WITH RUBBER	1			0.004	
070	T1060-18660	SENSOR REVOLUTION	1			0.055	
080	01754-50614	BOLT FLANGE	2			0.011	

SWITCH/SENSOR (REAR)

Ref	Part Number	Part Name	Qty	IC	S/N	Lbs	Remarks
090	3A751-74320	COVER	1			0.011	
100	3F760-81740	LIGHTER CIGARETTE	1			0.160	
110	52320-42883	SWITCH SAFETY	1	>>	>=52791	0.264	
110	52320-42882	SWITCH SAFETY	1		>=50822	0.264	
120	67111-55830	NUT SAFETY SWITCH	2		>=50822	0.077	
130	67111-55840	CAP SAFETY SWITCH	1		>=50822	0.004	

SWITCH (PANEL BOARD)

Figure Num 01B105



SWITCH (PANEL BOARD)

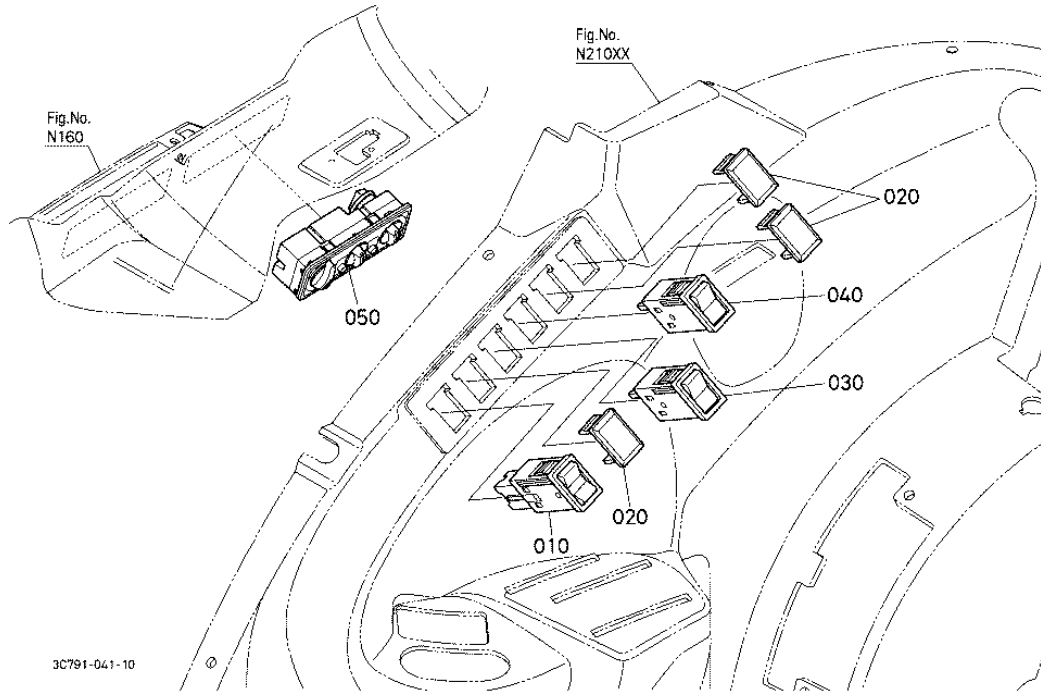
Ref	Part Number	Part Name	Qty	IC	S/N	Lbs	Remarks
010	36919-75162	SWITCH MAIN	1			0.308	
020	36919-75190	KEY MAIN SWITCH	1			0.011	SET
025	3C583-75050	SWITCH HORN	1		>=80001	0.044	
030	3C581-32073	SWITCH COMB.LEVER	1	NI	>=54240	0.561	
030	3C581-32072	SWITCH COMB.LEVER	1	>>	>=50513	0.561	
030	3C581-32070	SWITCH COMB.LEVER	1		<=50512	0	
035	03714-50410	SCREW TAPPING	2			0.004	

SWITCH (PANEL BOARD)

Ref	Part Number	Part Name	Qty	IC	S/N	Lbs	Remarks
040	03714-50412	SCREW TAPPING	3			0.002	
050	03004-50616	SCREW WITH WASHER	3			0.013	
060	3C001-75040	SWITCH HAZARD	1	>>	>=51721	0	
060	R1401-53262	SWITCH HAZARD	1		<=51720	0.044	
070	3C081-75150	SWITCH CHANGE	1			0.11	
080	T1270-32083	BOOT COMB.LEVER	1			0.022	

SWITCH (LIGHT/PANEL) [A]

Figure Num 01B11001

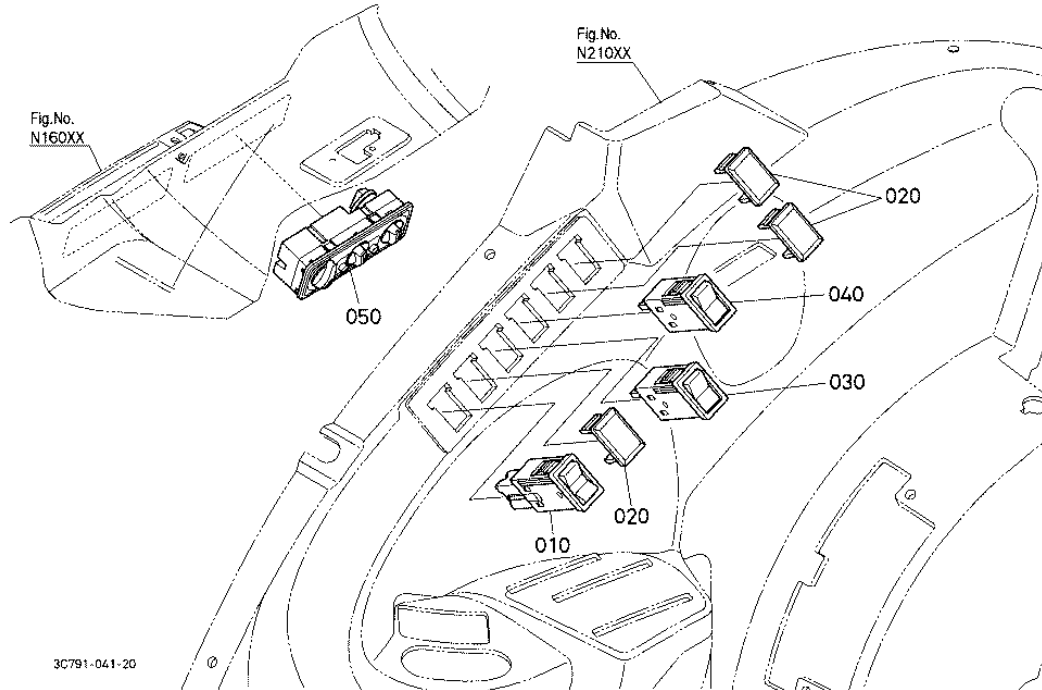


SWITCH (LIGHT/PANEL) [A]

Ref	Part Number	Part Name	Qty	IC	S/N	Lbs	Remarks
010	3C581-75330	SWITCH FRONT WIPER	1			0.044	
020	3C581-71380	COVER WIPER SWITCH	3			0.006	
030	3P300-54220	SWITCH WORK LIGHT	1			0.022	FOR FRONT WORK LI
040	3P300-54220	SWITCH WORK LIGHT	1			0.022	FOR REAR WORK LIG
050	3C581-87230	ASSY PANEL HEATER	1			0.44	

SWITCH (LIGHT/PANEL) [A]

Figure Num 01B11002

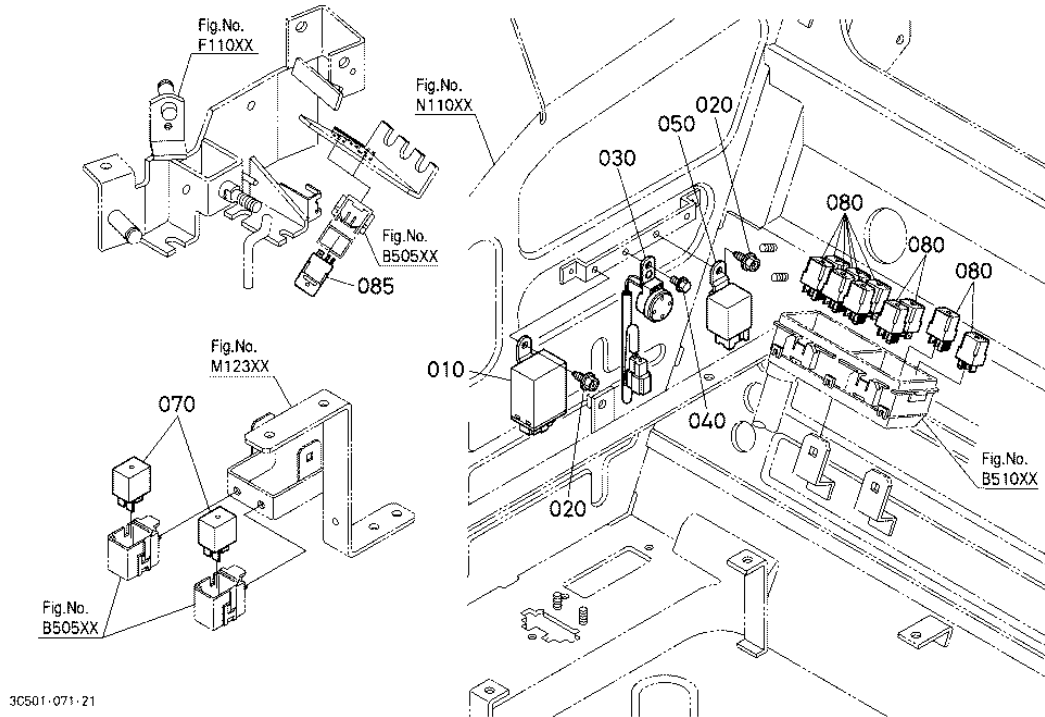


SWITCH (LIGHT/PANEL) [A]

Ref	Part Number	Part Name	Qty	IC	S/N	Lbs	Remarks
010	3C581-75330	SWITCH FRONT WIPER	1			0.044	
020	3C581-71380	COVER WIPER SWITCH	3			0.006	
030	3P300-54220	SWITCH WORK LIGHT	1			0.022	FOR FRONT WORK LI
040	3P300-54220	SWITCH WORK LIGHT	1			0.022	FOR REAR WORK LIG
050	3C581-87230	ASSY PANEL HEATER	1			0.44	

RELAY ## NOTE:ORDER BY Fig.No.B50502 or B50505 or B50508
REF.No.010 and 090 NEW PARTS.

Figure Num 01B13001



30501-071-21

RELAY

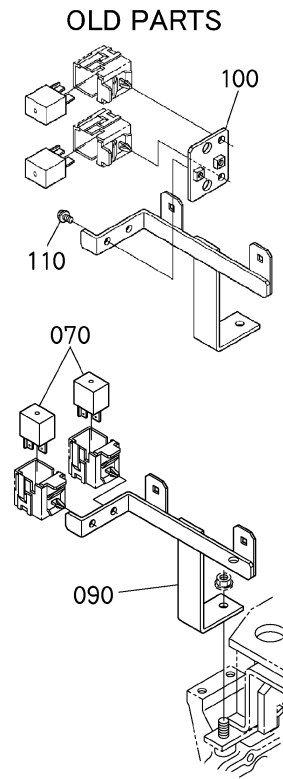
Ref	Part Number	Part Name	Qty	IC	S/N	Lbs	Remarks
010	3G710-75060	RELAY INTERMITTENT	1			0.132	
020	3G710-71140	BOLT	2			0.011	
030	3C081-75142	BUZZER	1			0.059	
040	01754-50612	BOLT FLANGE	2			0.011	
050	3F240-75430	UNIT FLASHER	1			0.132	
070	3C081-75222	RELAY STARTER	2			0.066	

RELAY

Ref	Part Number	Part Name	Qty	IC	S/N	Lbs	Remarks
080	3C081-75232	RELAY	10			0.033	
085	3C081-75232	RELAY	2		>=51502	0.033	

RELAY ## NOTE:ORDER BY Fig.No.B50502 or B50505 or B50508
REF.No.010 and 090 NEW PARTS.

Figure Num 01B13001



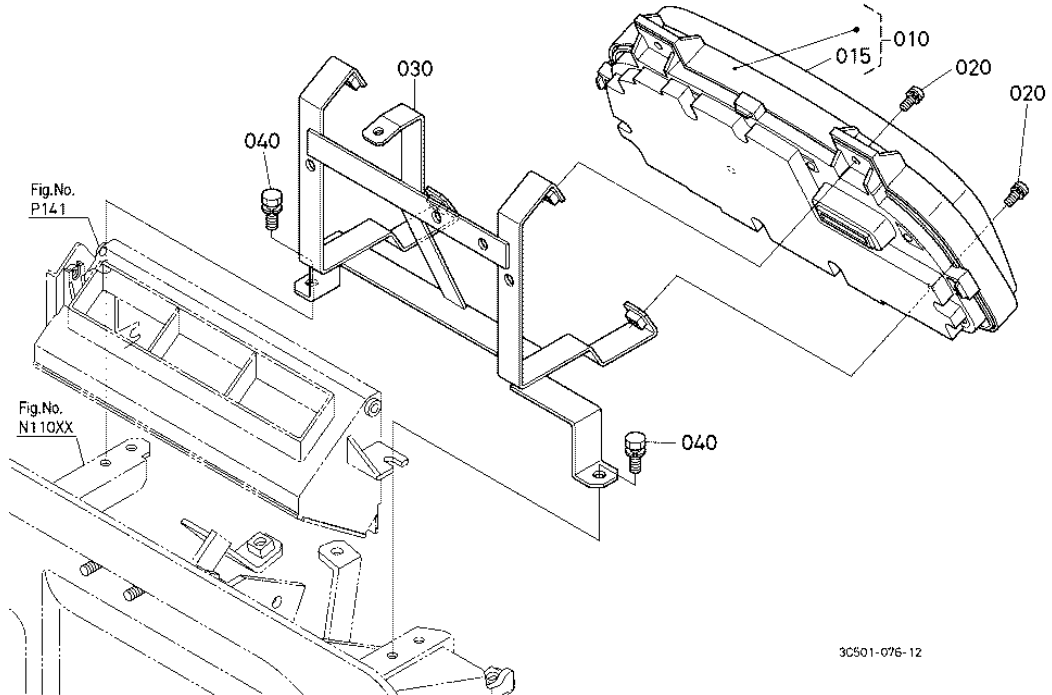
3C501-802-11

RELAY

Ref	Part Number	Part Name	Qty	IC	S/N	Lbs	Remarks
070	3C081-75222	RELAY STARTER	2			0.066	
090	3C501-72333	STAY FUSE	1		<=54787	0.726	
100	3C501-72360	STAY RELAY	1		<=50512	0	SEE NOTE
110	01754-50614	BOLT FLANGE	2		<=50512	0.011	

PANEL BOARD ## NOTE:ORDER BY ALL PARTS OF Fig.No.U115.

Figure Num 01B14002



PANEL BOARD

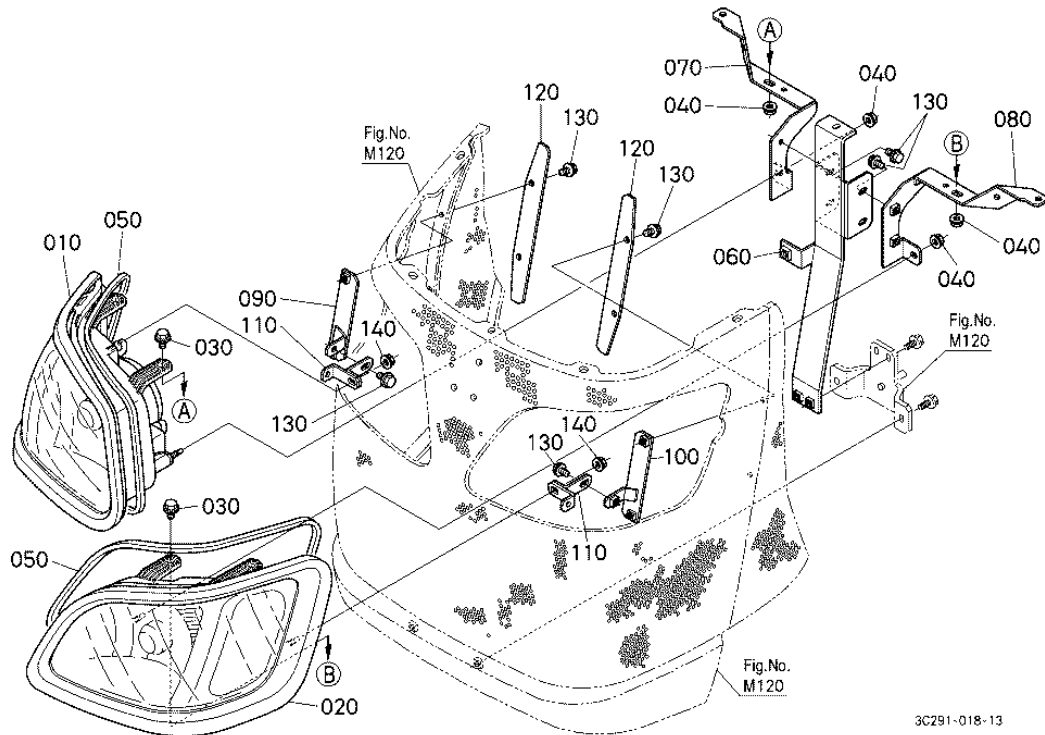
Ref	Part Number	Part Name	Qty	IC	S/N	Lbs	Remarks
010	3C091-75604	ASSY METER	1	>>	>=52150	1.606	
010	3C091-75603	ASSY METER	1	>>	>=51721	0	
010	3C091-75602	ASSY METER	1	>>	>=51190	0	
010	3C091-75600	ASSY METER	1	>>	>=50822	0	
010	3C081-75604	ASSY METER	1	>>	>=50513	0	SEE NOTE
010	3C081-75603	ASSY METER	1		<=50512	0	SEE NOTE
015	3C091-75682	GLASS	1	>>	>=51721	0.704	

PANEL BOARD

Ref	Part Number	Part Name	Qty	IC	S/N	Lbs	Remarks
015	3C091-75680	GLASS	1		<=51720	0	
020	03034-50516	SCREW WITH WASHER	4			0.004	
030	3C581-75555	BRACKET METER	1	NI	>=53203	1.232	
030	3C581-75553	BRACKET METER	1		<=53202	1.232	
040	01023-50616	BOLT	2			0.011	

HEAD LIGHT

Figure Num 01B320



3C291-018-13

HEAD LIGHT

Ref	Part Number	Part Name	Qty	IC	S/N	Lbs	Remarks
010	3C081-75713	ASSY LAMP HEAD RH	1	>>	>=52687	2.244	
010	3C081-75712	ASSY LAMP HEAD RH	1		<=52686	0	
020	3C081-75722	ASSY LAMP HEAD LH	1		<=52686	0	
020	3C081-75723	ASSY LAMP HEAD LH	1	>>	>=52687	2.244	
030	01754-50616	BOLT FLANGE	4			0.013	
040	02761-50060	NUT FLANGE	6			0.006	
050	3C081-75830	SEAL RUBBER	2			0.033	

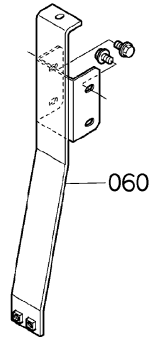
HEAD LIGHT

Ref	Part Number	Part Name	Qty	IC	S/N	Lbs	Remarks
060	3C081-83464	SUPPORT BONNET	1	>>	>=52300	1.716	
060	3C081-83463	SUPPORT BONNET	1		<=52299	0	
070	3C081-84533	STAY HEAD LIGHT RH	1			0.275	
080	3C081-84543	STAY HEAD LIGHT LH	1			0.275	
090	3C081-84513	STAY HEAD LIGHT RH	1			0.121	
100	3C081-84523	STAY HEAD LIGHT LH	1			0.121	
110	3C081-84553	STAY HEAD LIGHT	2			0.026	
120	3C081-84560	PLATE FRONT GRILL	2			0.193	
130	30400-19060	BOLT FLANGE	10			0.013	
140	02761-60060	NUT FLANGE	2			0.006	

HEAD LIGHT

Figure Num 01B320

OLD PARTS



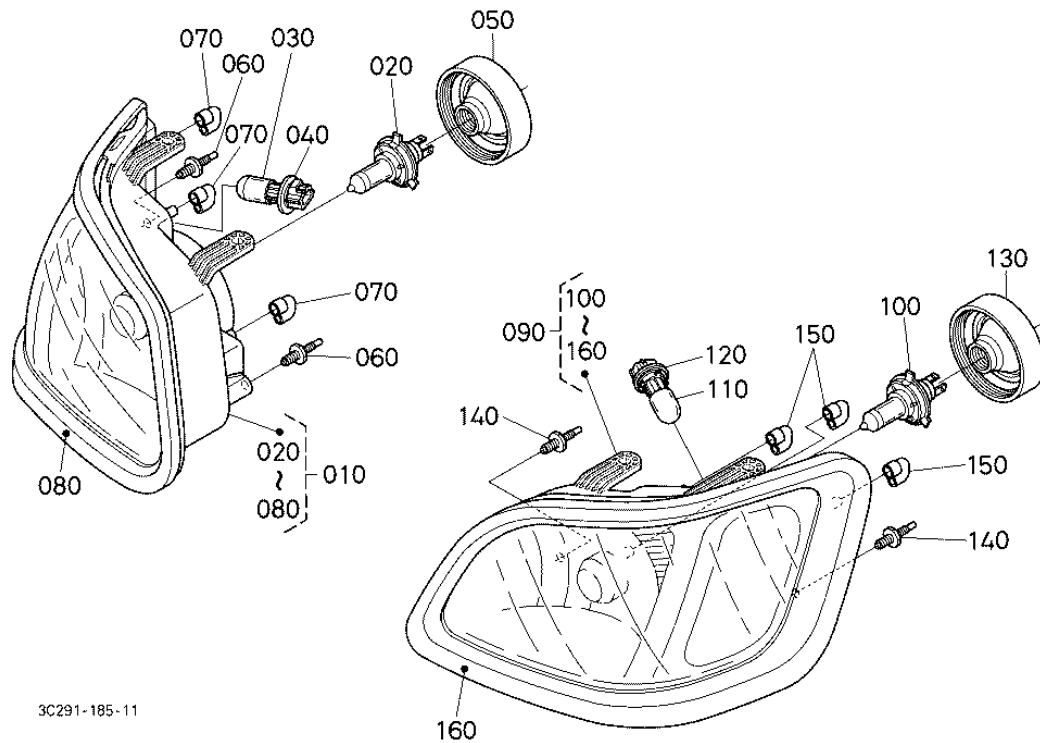
3C291-843-11

HEAD LIGHT

Ref	Part Number	Part Name	Qty	IC	S/N	Lbs	Remarks
060	3C081-83464	SUPPORT BONNET	1	>>	>=52300	1.716	
060	3C081-83463	SUPPORT BONNET	1		<=52299	0	

HEAD LIGHT [COMPONENT PARTS]

Figure Num 01B321



3C291-185-11

HEAD LIGHT [COMPONENT PARTS]

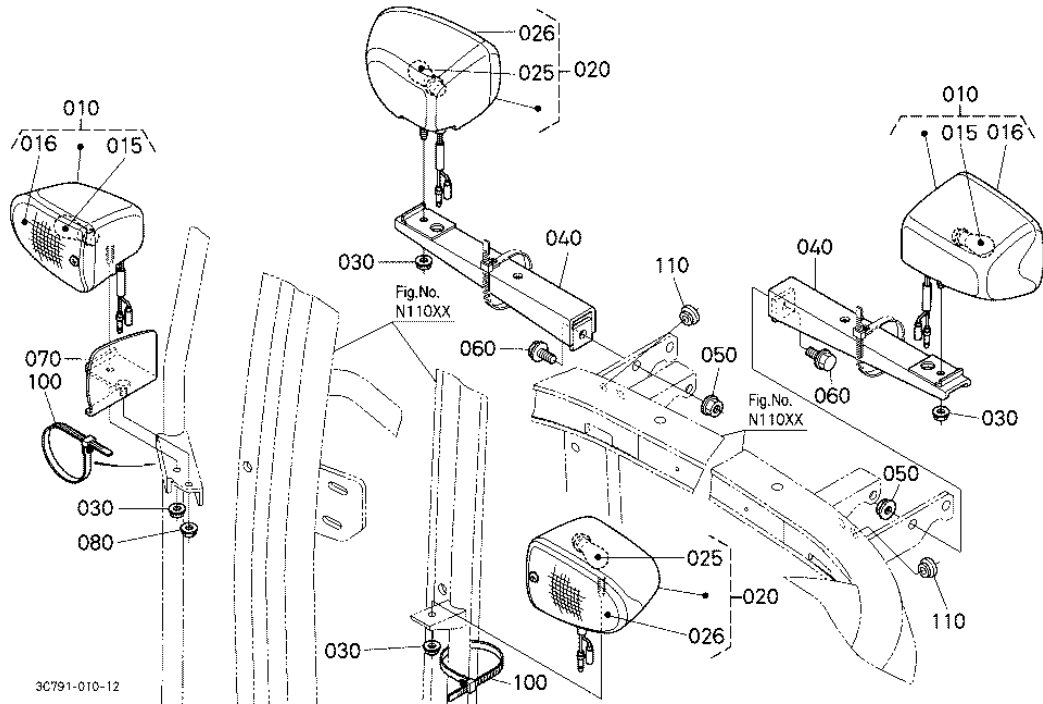
Ref	Part Number	Part Name	Qty	IC	S/N	Lbs	Remarks
010	3C081-75713	ASSY LAMP HEAD RH	1	>>	>=52687	2.244	
010	3C081-75712	ASSY LAMP HEAD RH	1		<=52686	0	
020	3C081-75810	BULB	1			0.055	60/55W
030	3C081-75820	BULB	1			0.013	21W
040	3C081-75800	ASSY SOCKET	1			0.022	
050	3C081-75790	COVER REAR	1			0.11	
060	3C081-75780	STUD	2			0.017	

HEAD LIGHT [COMPONENT PARTS]

Ref	Part Number	Part Name	Qty	IC	S/N	Lbs	Remarks
070	3C081-75770	TUBE BREATHER	3			0.004	
080	3C081-75752	COVER RH FRONT	1	>>	>=52687	0.11	
080	3C081-75750	COVER RH FRONT	1		<=52686	0.11	
090	3C081-75723	ASSY LAMP HEAD LH	1	>>	>=52687	2.244	
090	3C081-75722	ASSY LAMP HEAD LH	1		<=52686	0	
100	3C081-75810	BULB	1			0.055	60/55W
110	3C081-75820	BULB	1			0.013	21W
120	3C081-75800	ASSY SOCKET	1			0.022	
130	3C081-75790	COVER REAR	1			0.11	
140	3C081-75780	STUD	2			0.017	
150	3C081-75770	TUBE BREATHER	3			0.004	
160	3C081-75762	COVER LH FRONT	1	>>	>=52687	0.11	
160	3C081-75760	COVER LH FRONT	1		<=52686	0.11	

HAZARD LIGHT

Figure Num 01B332



HAZARD LIGHT

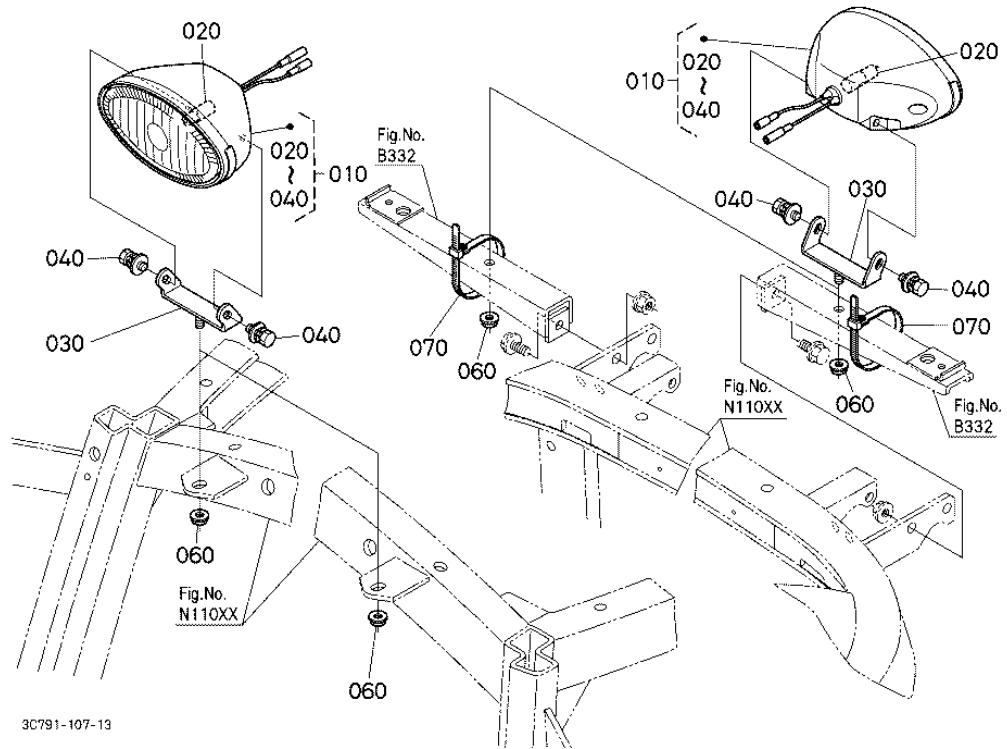
Ref	Part Number	Part Name	Qty	IC	S/N	Lbs	Remarks
010	3C581-75862	ASSY LAMP HAZARD	2	>>	>=52791	0.407	
010	3C581-75860	ASSY LAMP HAZARD	2		<=52790	0	
015	3C581-75920	BULB	2			0.033	21W
016	3C581-75970	LENS HAZARD RH	2			0.088	
020	3C581-75870	ASSY LAMP HAZARD	2		<=52790	0	
020	3C581-75872	ASSY LAMP HAZARD	2	>>	>=52791	0.407	
025	3C581-75920	BULB	2			0.033	21W

HAZARD LIGHT

Ref	Part Number	Part Name	Qty	IC	S/N	Lbs	Remarks
026	3C581-75980	LENS HAZARD LH	2			0.088	
030	02761-60060	NUT FLANGE	4			0.006	
040	3C581-74530	STAY LAMP REAR	2			0.847	
050	02763-60080	NUT FLANGE	2			0.011	
060	30810-18870	BOLT FLANGE	2			0.026	
070	3C581-75810	BRACKET HAZARD	1			0.242	
080	02761-60060	NUT FLANGE	2			0.006	
100	55311-41260	BAND CORD	2			0.015	
110	T1065-72750	GROMMET WIRE ANTENNA	2			0.004	

WORKING LIGHT

Figure Num 01B350



WORKING LIGHT

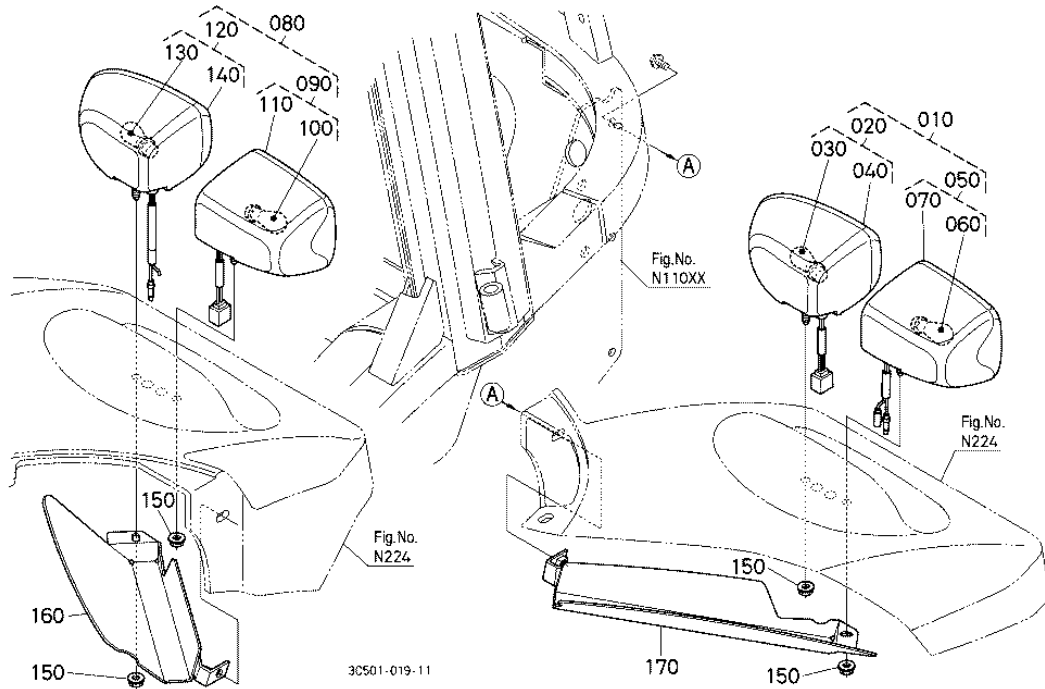
Ref	Part Number	Part Name	Qty	IC	S/N	Lbs	Remarks
010	3C581-75913	ASSY LIGHT WORKING	4	>>	>=51721	0.748	
010	3C581-75912	ASSY LIGHT WORKING	4	>>	>=51502	0	
010	3C581-75910	ASSY LIGHT WORKING	4		<=51501	0	ORDER BY REF.No.01
020	3C581-75900	BULB	4			0.022	55W
030	3C581-75310	STAY WORKING LIGHT	4			0.11	
040	01025-60614	BOLT	8			0.138	
060	02763-60080	NUT FLANGE	4			0.011	

WORKING LIGHT

Ref	Part Number	Part Name	Qty	IC	S/N	Lbs	Remarks
070	53581-64150	BAND CORD	2			0.004	

REAR COMBINATION LIGHT

Figure Num 01B360



REAR COMBINATION LIGHT

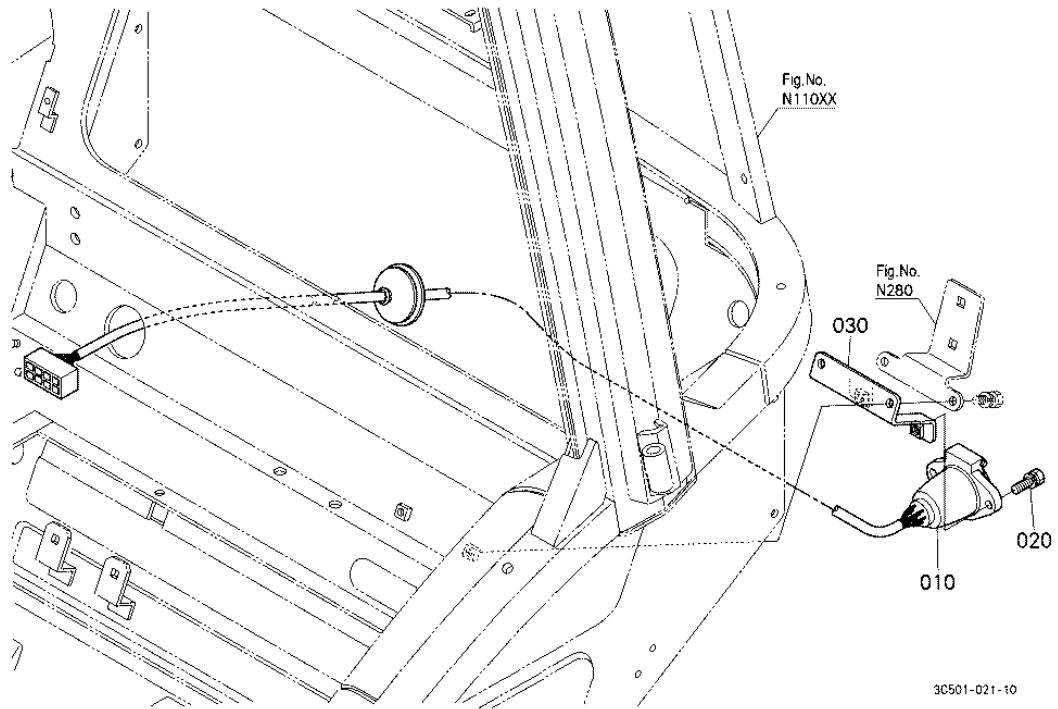
Ref	Part Number	Part Name	Qty	IC	S/N	Lbs	Remarks
010	3C581-75892	ASSY LAMP COMB.LH	1	>>	>=53106	0.836	
010	3C581-75890	ASSY LAMP COMB.LH	1		<=53105	0	
020	3C581-75850	ASSY LAMP STOP LH	1		<=53105	0	
020	3C581-75852	ASSY LAMP STOP LH	1	>>	>=53106	0.484	
030	3C581-75960	BULB	1			0.033	21/5W
040	3C581-75830	LENS STOP LH	1			0.088	
050	3C581-75860	ASSY LAMP HAZARD	1		<=53105	0	

REAR COMBINATION LIGHT

Ref	Part Number	Part Name	Qty	IC	S/N	Lbs	Remarks
050	3C581-75862	ASSY LAMP HAZARD	1	>>	>=53106	0.407	
060	3C581-75920	BULB	1			0.033	21W
070	3C581-75970	LENS HAZARD RH	1			0.088	
080	3C581-75882	ASSY LAMP COMB.RH	1	>>	>=53106	0.836	
080	3C581-75880	ASSY LAMP COMB.RH	1		<=53105	0	
090	3C581-75842	ASSY LAMP STOP RH	1	>>	>=53106	0.484	
090	3C581-75840	ASSY LAMP STOP RH	1		<=53105	0	
100	3C581-75960	BULB	1			0.033	21/5W
110	3C581-75820	LENS STOP RH	1			0.088	
120	3C581-75870	ASSY LAMP HAZARD	1		<=53105	0	
120	3C581-75872	ASSY LAMP HAZARD	1	>>	>=53106	0.407	
130	3C581-75920	BULB	1			0.033	21W
140	3C581-75980	LENS HAZARD LH	1			0.088	
150	02761-60060	NUT FLANGE	4			0.006	
160	3C501-68970	COVER FENDER RH	1		<=52790	0	
160	3C501-68973	COVER FENDER RH	1	>>	>=52791	0.814	
170	3C501-68983	COVER FENDER LH	1	>>	>=52791	0.814	
170	3C501-68980	COVER FENDER LH	1		<=52790	0.814	ORDER BY REF.No.17

TRAILER SOCKET

Figure Num 01B370

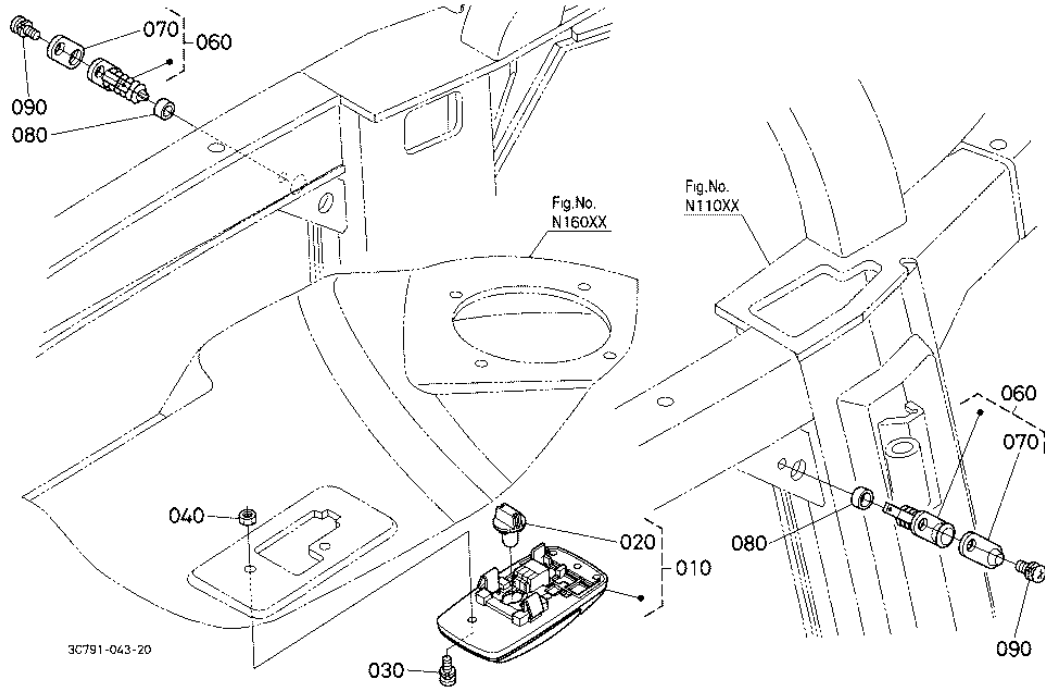


TRAILER SOCKET

Ref	Part Number	Part Name	Qty	IC	S/N	Lbs	Remarks
010	3N340-77153	ASSY SOCKET	1			1.298	
020	01123-50820	BOLT	2			0.024	
030	3C501-77770	STAY TRAILER SOCKET	1			0.44	

ROOM LIGHT

Figure Num 01B410



ROOM LIGHT

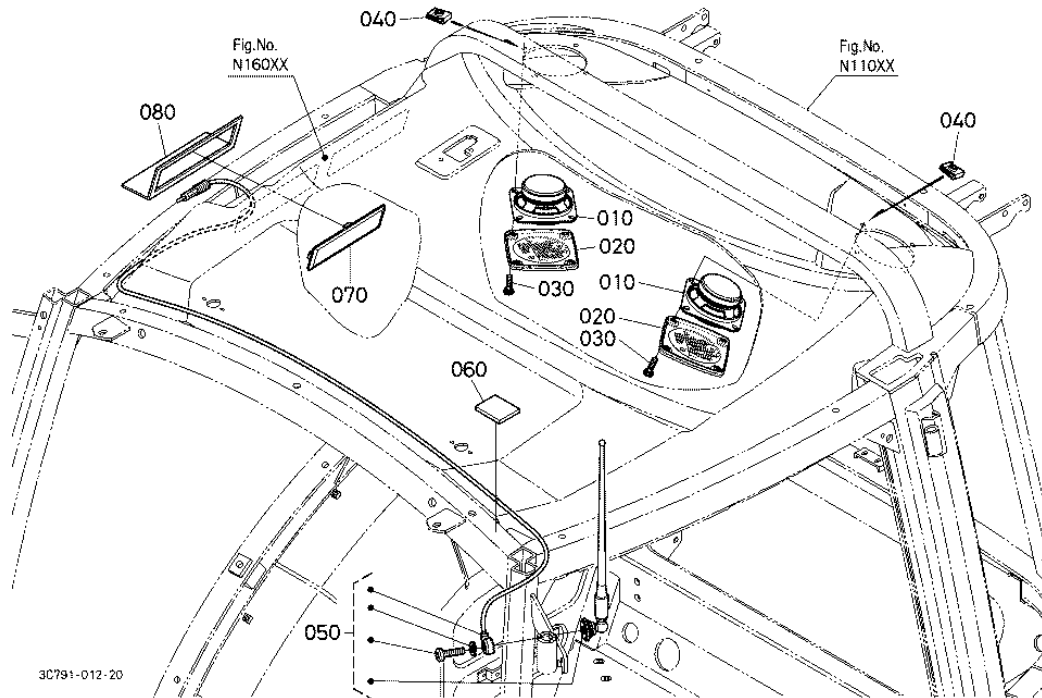
Ref	Part Number	Part Name	Qty	IC	S/N	Lbs	Remarks
010	3C581-54210	LIGHT ROOM	1			0.11	
020	3C581-54220	BULB	1			0.004	5W
030	03024-50516	SCREW WITH WASHER	2			0.008	
040	02054-50050	NUT	2			0.004	
060	3F760-75230	SWITCH DOOR	2			0.024	
070	3F999-01210	COVER DOOR SWITCH	2			0.011	
080	T0270-70870	SPACER DOOR SWITCH	2			0.006	

ROOM LIGHT

Ref	Part Number	Part Name	Qty	IC	S/N	Lbs	Remarks
090	36919-56590	SCREW	2			0.006	

RADIO SPEAKER

Figure Num 01B425



RADIO SPEAKER

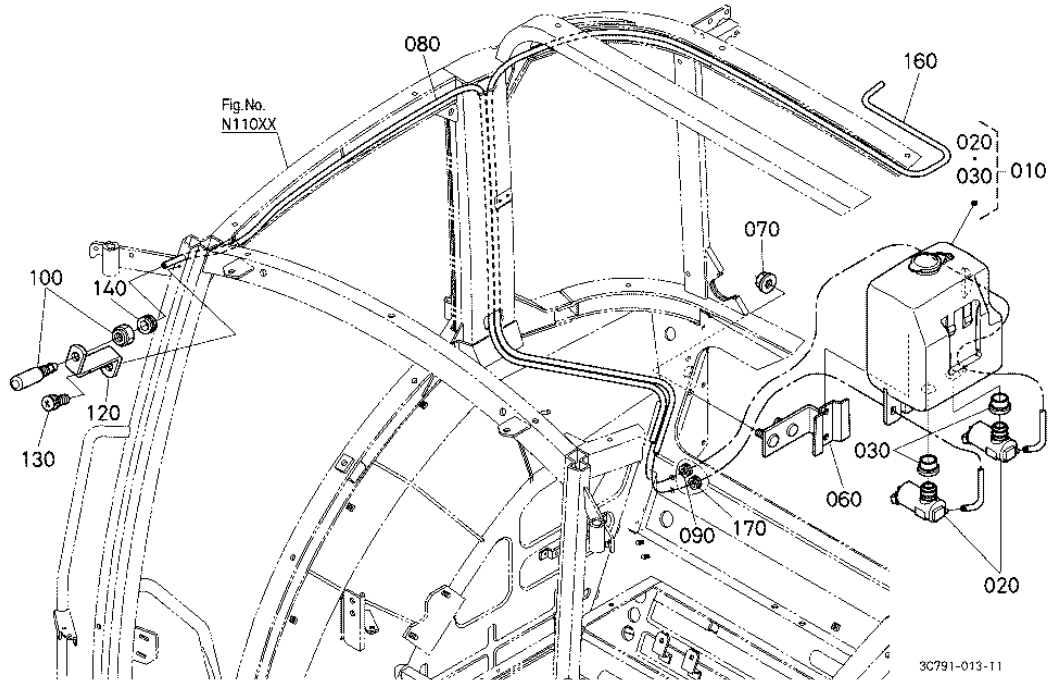
Ref	Part Number	Part Name	Qty	IC	S/N	Lbs	Remarks
010	3P300-54130	SPEAKER	2			0.924	
020	3P300-54120	GLILLE SPEAKER	2			0.092	
030	3C581-54500	SCREW	8	NI	>=52791	0.004	
030	37410-54990	SCREW	8		<=52790	0.006	
040	3C581-54510	NUT SPRING	8	NI	>=52791	0.004	
040	T0270-54930	NUT SPRING	8		<=52790	0.004	
050	3A751-54140	ANTENNA	1			0.429	

RADIO SPEAKER

Ref	Part Number	Part Name	Qty	IC	S/N	Lbs	Remarks
060	3G710-71540	GASKET	1			0.004	
070	3C581-72610	COVER RADIO-CASSETTE	1			0.066	
080	3N300-54270	PLATE RADIO-CASSETTE	1			0.308	

WASHER TANK [A]

Figure Num 01B43002



WASHER TANK [A]

Ref	Part Number	Part Name	Qty	IC	S/N	Lbs	Remarks
010	3G710-55760	TANK DOUBLE WASHER	1			1.43	
020	T2055-71210	ASSY MOTOR WASH.TANK	2			0.22	
030	T2055-71220	GROMMET WASHER TANK	2			0.006	
060	3C581-71170	BRACKET TANK	1			0.484	
070	02763-50080	NUT FLANGE	1			0.013	
080	3A751-56720	TUBE WASHER	1			0.143	
090	3F260-54580	GROMMET	1			0.004	

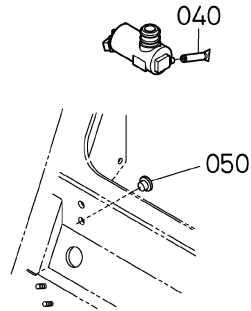
WASHER TANK [A]

Ref	Part Number	Part Name	Qty	IC	S/N	Lbs	Remarks
100	3F760-54180	NOZZLE WASHER	1			0.017	
120	3A751-54190	STAY WASHER NOZZLE	1			0.037	
130	36919-50390	SCREW	1			0.011	
140	3F260-54580	GROMMET	1			0.004	
160	3A751-56720	TUBE WASHER	1		>=51001	0.143	
170	3F260-54580	GROMMET	1		>=51001	0.004	

WASHER TANK [A]

Figure Num 01B43002

OLD PARTS



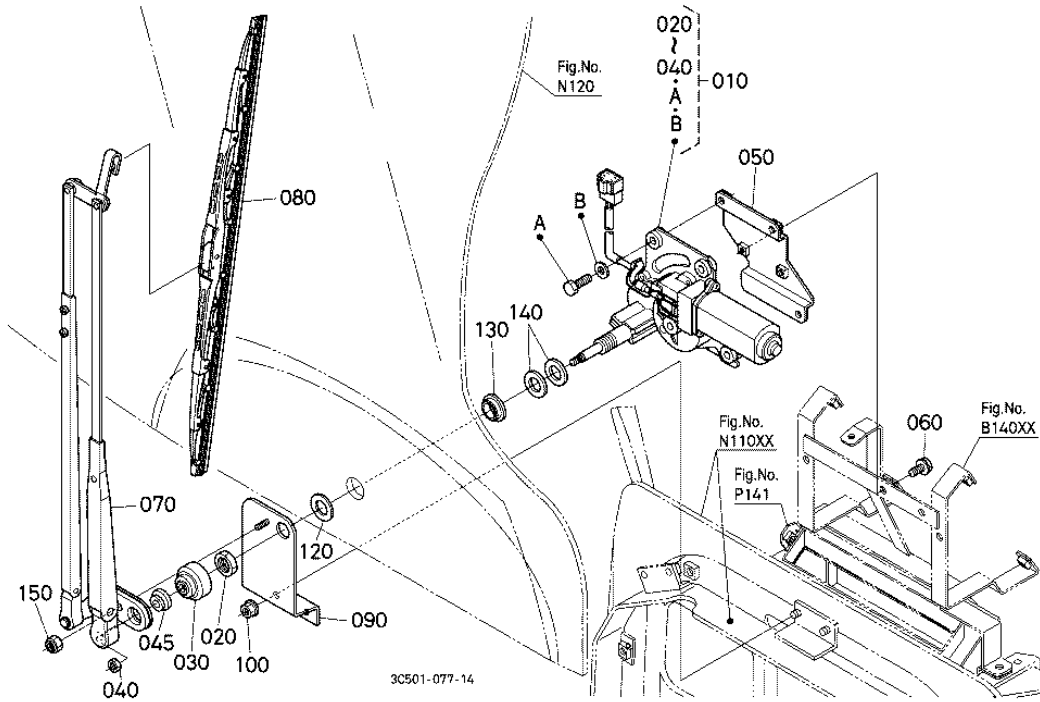
3C501-808-10

WASHER TANK [A]

Ref	Part Number	Part Name	Qty	IC	S/N	Lbs	Remarks
040	TA140-71200	PLUG WASHER TANK	1		<=51000	0.002	
050	35110-32420	PLUG	1		<=51000	0.004	

FRONT WIPER

Figure Num 01B441



FRONT WIPER

Ref	Part Number	Part Name	Qty	IC	S/N	Lbs	Remarks
010	3C581-53980	MOTOR FRONT WIPER	1			2.09	
020	3P300-57450	NUT WIPER	1			0.006	
030	3P300-57470	CAP REAR WIPER	1			0.017	
040	3P300-57510	NUT WIPER	1			0.006	
045	T1065-72750	GROMMET WIRE ANTENNA	1		>=51924	0.004	
050	3C581-75560	BRACKET WIPER MOTOR	1			0.264	
060	01754-50612	BOLT FLANGE	2			0.011	

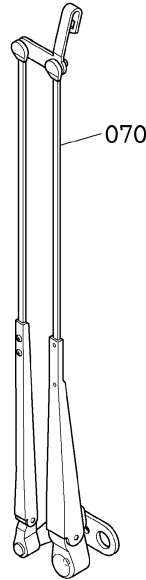
FRONT WIPER

Ref	Part Number	Part Name	Qty	IC	S/N	Lbs	Remarks
070	3C581-71122	ARM WIPER	1	>>	>=53679	0.99	
070	3C581-71120	ARM WIPER	1		<=53678	0.99	
080	3C591-71130	BLADE WIPER	1	=		0	
080	3C581-71130	BLADE WIPER	1			0.308	
090	3C581-75570	BRACKET WIPER ARM	1			0.352	
100	02751-50060	NUT FLANGE	2			0.011	
120	3C581-75582	GASKET	1			0.033	
130	3C581-75592	GASKET WIPER	1			0.008	
140	04011-60160	WASHER PLAIN	2			0.022	
150	02552-50050	NUT LOCK	1			0.028	

FRONT WIPER

Figure Num 01B441

OLD PARTS



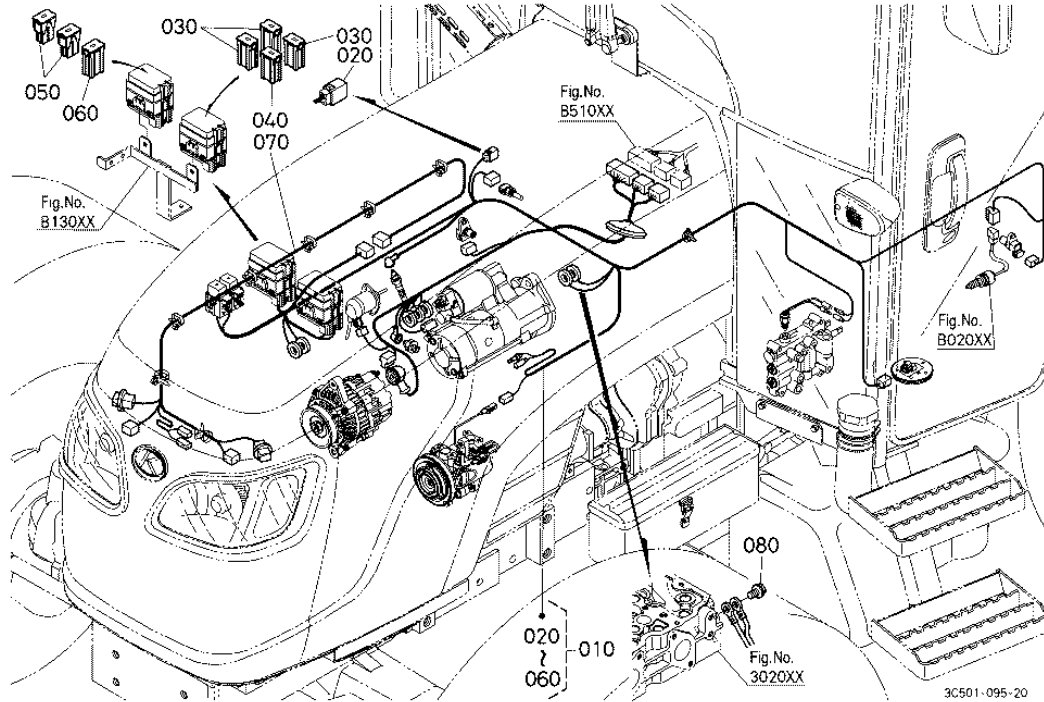
3C551-812-10

FRONT WIPER

Ref	Part Number	Part Name	Qty	IC	S/N	Lbs	Remarks
070	3C581-71122	ARM WIPER	1	>>	>=53679	0.99	
070	3C581-71120	ARM WIPER	1		<=53678	0.99	

ELECTRICAL WIRING (ENGINE) [A] [OLD TYPE] ## S.No.:<=51501,
 [NOTE:ORDER BY Fig.No.B50506 REF.No.010 and 090 NEW PARTS.]

Figure Num 01B50505



ELECTRICAL WIRING (ENGINE) [A] [OLD TYPE]

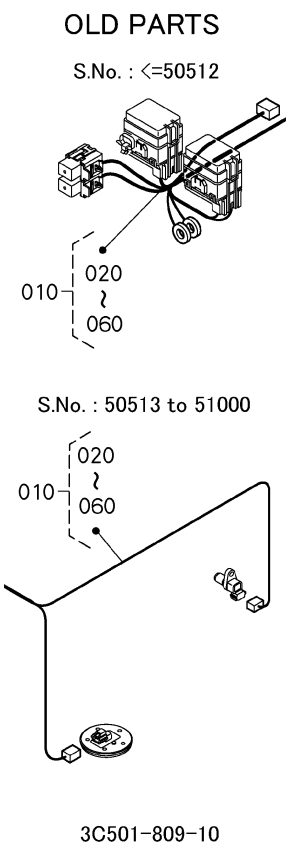
Ref	Part Number	Part Name	Qty	IC	S/N	Lbs	Remarks
010	3C511-77220	WIRE HARNESS ENGINE	1	>>	>=51001	3.74	SEE NOTE
010	3C501-77223	WIRE HARNESS ENGINE	1	>>	>=50513	0	SEE NOTE
010	3C501-77220	WIRE HARNESS ENGINE	1		<=50512	0	SEE NOTE
020	99999-99999	DIODE	1			0	
030	3C581-77160	FUSE	3			0.008	30A
040	3C581-77170	FUSE	1			0.008	40A

ELECTRICAL WIRING (ENGINE) [A] [OLD TYPE]

Ref	Part Number	Part Name	Qty	IC	S/N	Lbs	Remarks
050	T1060-30530	FUSE	2			0.015	50A
060	3F240-75550	FUSE	1			0.022	100A
070	3C001-77230	WIRE HARNESS H/LIGHT	1			0	
080	01754-50812	BOLT FLANGE	1			0.022	

ELECTRICAL WIRING (ENGINE) [A] [OLD TYPE] ## S.No.:<=51501,
 [NOTE:ORDER BY Fig.No.B50506 REF.No.010 and 090 NEW PARTS.]

Figure Num 01B50505

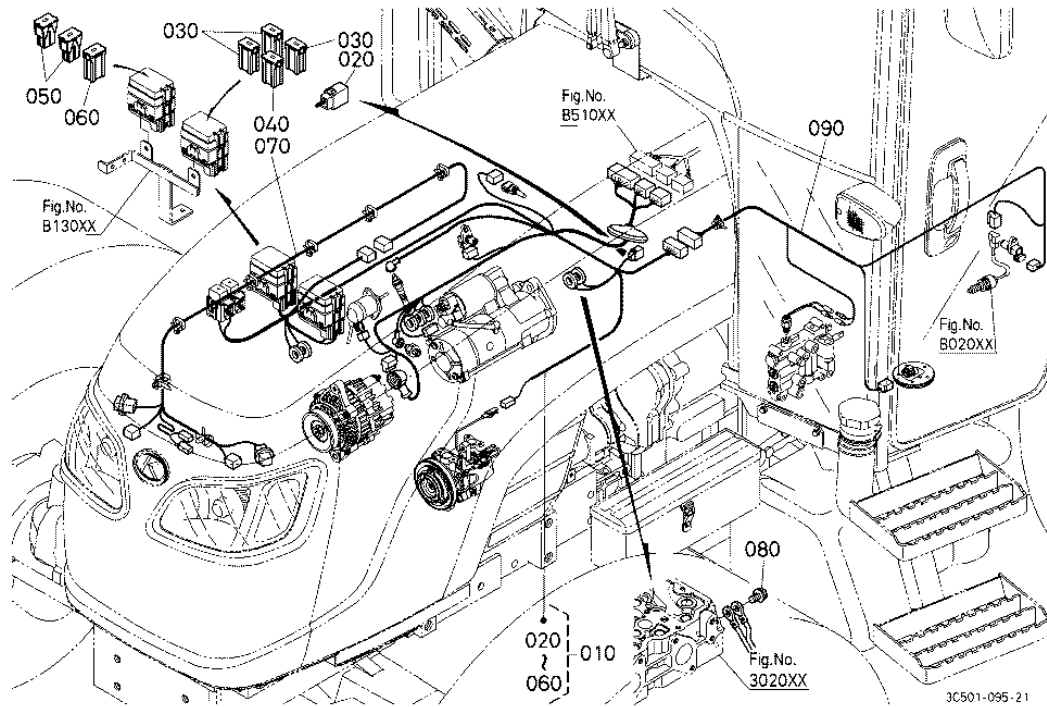


ELECTRICAL WIRING (ENGINE) [A] [OLD TYPE]

Ref	Part Number	Part Name	Qty	IC	S/N	Lbs	Remarks
010	3C511-77220	WIRE HARNESS ENGINE	1	>>	>=51001	3.74	SEE NOTE
010	3C501-77223	WIRE HARNESS ENGINE	1	>>	>=50513	0	SEE NOTE
010	3C501-77220	WIRE HARNESS ENGINE	1		<=50512	0	SEE NOTE

ELECTRICAL WIRING (ENGINE) [A] [NEW TYPE] ## S.No.:>=51502

Figure Num 01B50506



ELECTRICAL WIRING (ENGINE) [A] [NEW TYPE]

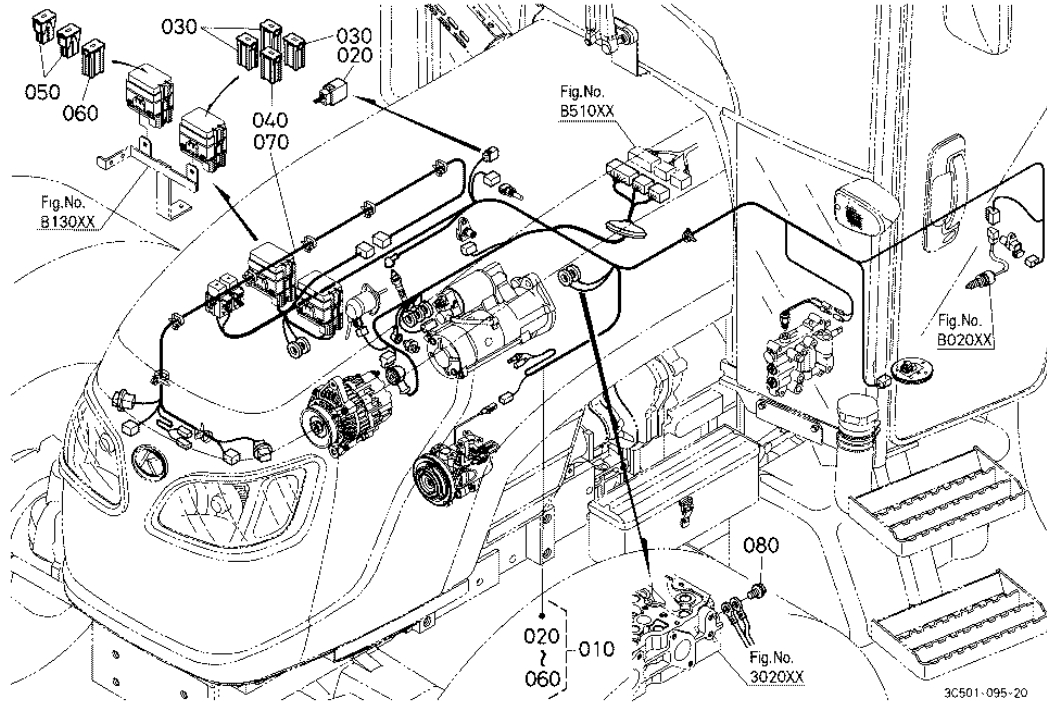
Ref	Part Number	Part Name	Qty	IC	S/N	Lbs	Remarks
010	3C511-77223	WIRE HARNESS ENGINE	1	>>	>=52729	3.74	
010	3C511-77222	WIRE HARNESS ENGINE	1		<=52728	0	
020	99999-99999	DIODE	1			0	
030	3C581-77160	FUSE	3			0.008	30A
040	3C581-77170	FUSE	1			0.008	40A
050	T1060-30530	FUSE	2			0.015	50A
060	3F240-75550	FUSE	1			0.022	100A

ELECTRICAL WIRING (ENGINE) [A] [NEW TYPE]

Ref	Part Number	Part Name	Qty	IC	S/N	Lbs	Remarks
070	3C043-77234	WIRE HARNESS H/LIGHT	1	>>	>=52791	0.638	
070	3C043-77230	WIRE HARNESS H/LIGHT	1		<=52790	0.638	
080	01754-50812	BOLT FLANGE	1			0.022	
090	3C511-77250	WIRE HARNESS	1			0	

ELECTRICAL WIRING (ENGINE) [A] [OLD TYPE] ## S.No.:<=51501
 [NOTE:ORDER BY Fig.No.B50508 REF.No.010 and 090 NEW PARTS.]

Figure Num 01B50507



ELECTRICAL WIRING (ENGINE) [A] [OLD TYPE]

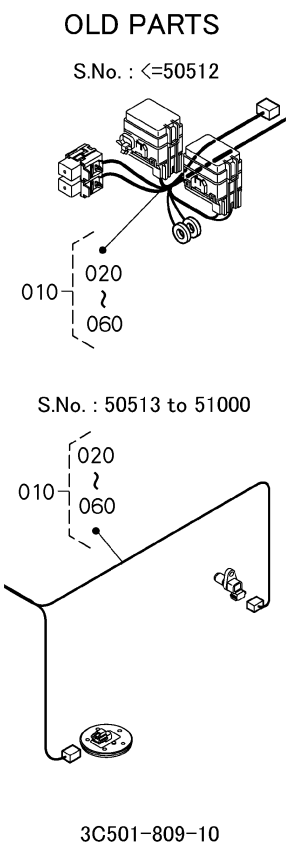
Ref	Part Number	Part Name	Qty	IC	S/N	Lbs	Remarks
010	3C511-77220	WIRE HARNESS ENGINE	1	>>	>=51001	3.74	SEE NOTE
010	3C501-77223	WIRE HARNESS ENGINE	1	>>	>=50513	0	SEE NOTE
010	3C501-77220	WIRE HARNESS ENGINE	1		<=50512	0	SEE NOTE
020	99999-99999	DIODE	1			0	
030	3C581-77160	FUSE	3			0.008	30A
040	3C581-77170	FUSE	1			0.008	40A

ELECTRICAL WIRING (ENGINE) [A] [OLD TYPE]

Ref	Part Number	Part Name	Qty	IC	S/N	Lbs	Remarks
050	T1060-30530	FUSE	2			0.015	50A
060	3F240-75550	FUSE	1			0.022	100A
070	3C001-77230	WIRE HARNESS H/LIGHT	1			0	
080	01754-50812	BOLT FLANGE	1			0.022	

ELECTRICAL WIRING (ENGINE) [A] [OLD TYPE] ## S.No.:<=51501
 [NOTE:ORDER BY Fig.No.B50508 REF.No.010 and 090 NEW PARTS.]

Figure Num 01B50507

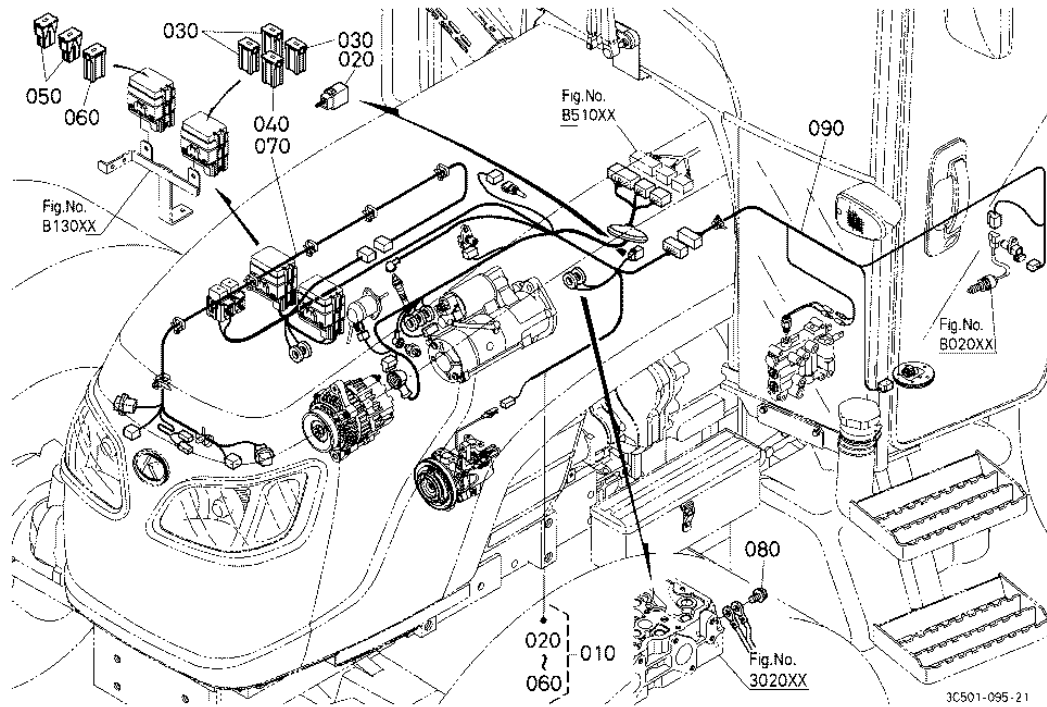


ELECTRICAL WIRING (ENGINE) [A] [OLD TYPE]

Ref	Part Number	Part Name	Qty	IC	S/N	Lbs	Remarks
010	3C511-77220	WIRE HARNESS ENGINE	1	>>	>=51001	3.74	SEE NOTE
010	3C501-77223	WIRE HARNESS ENGINE	1	>>	>=50513	0	SEE NOTE
010	3C501-77220	WIRE HARNESS ENGINE	1		<=50512	0	SEE NOTE

ELECTRICAL WIRING (ENGINE) [A] [NEW TYPE] ## S.No.;51502 to 54787

Figure Num 01B50508



ELECTRICAL WIRING (ENGINE) [A] [NEW TYPE]

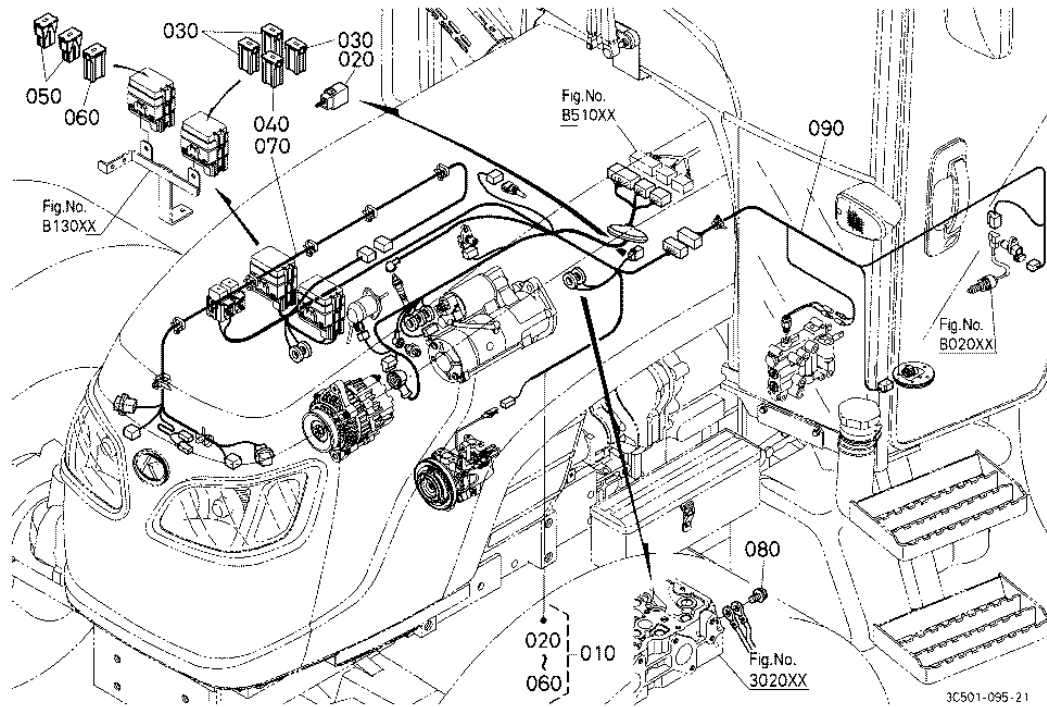
Ref	Part Number	Part Name	Qty	IC	S/N	Lbs	Remarks
010	3C511-77223	WIRE HARNESS ENGINE	1	>>	>=52729	3.74	
010	3C511-77222	WIRE HARNESS ENGINE	1		<=52728	0	
020	99999-99999	DIODE	1			0	
030	3C581-77160	FUSE	3			0.008	30A
040	3C581-77170	FUSE	1			0.008	40A
050	T1060-30530	FUSE	2			0.015	50A
060	3F240-75550	FUSE	1			0.022	100A

ELECTRICAL WIRING (ENGINE) [A] [NEW TYPE]

Ref	Part Number	Part Name	Qty	IC	S/N	Lbs	Remarks
070	3C043-77234	WIRE HARNESS H/LIGHT	1	>>	>=52791	0.638	
070	3C043-77230	WIRE HARNESS H/LIGHT	1		<=52790	0.638	
080	01754-50812	BOLT FLANGE	1			0.022	
090	3C511-77250	WIRE HARNESS	1			0	

ELECTRICAL WIRING (ENGINE) [A] [NEW TYPE] ## S.No.;51502 to 54787

Figure Num 01B50508



ELECTRICAL WIRING (ENGINE) [A] [NEW TYPE]

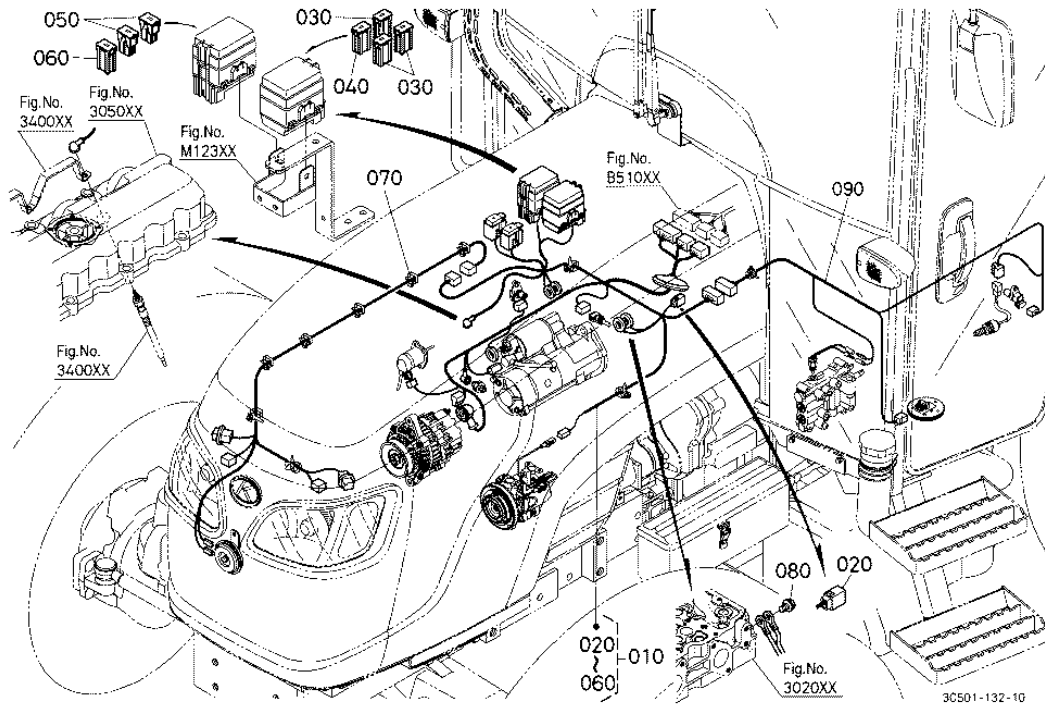
Ref	Part Number	Part Name	Qty	IC	S/N	Lbs	Remarks
010	3C511-77223	WIRE HARNESS ENGINE	1	>>	>=52729	3.74	
010	3C511-77222	WIRE HARNESS ENGINE	1		<=52728	0	
020	99999-99999	DIODE	1			0	
030	3C581-77160	FUSE	3			0.008	30A
040	3C581-77170	FUSE	1			0.008	40A
050	T1060-30530	FUSE	2			0.015	50A
060	3F240-75550	FUSE	1			0.022	100A

ELECTRICAL WIRING (ENGINE) [A] [NEW TYPE]

Ref	Part Number	Part Name	Qty	IC	S/N	Lbs	Remarks
070	3C043-77234	WIRE HARNESS H/LIGHT	1	>>	>=52791	0.638	
070	3C043-77230	WIRE HARNESS H/LIGHT	1		<=52790	0.638	
080	01754-50812	BOLT FLANGE	1			0.022	
090	3C511-77250	WIRE HARNESS BODY	1			0	

ELECTRICAL WIRING (ENGINE) [A] [NEW TYPE] ## S.No.;>=80001

Figure Num 01B50509



ELECTRICAL WIRING (ENGINE) [A] [NEW TYPE]

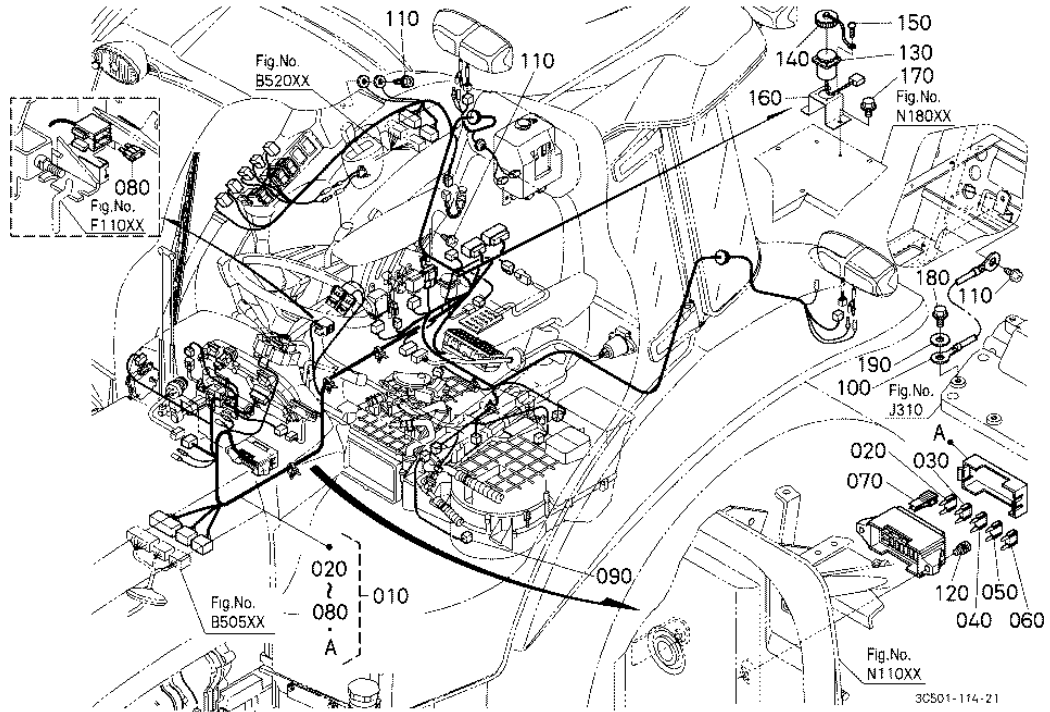
Ref	Part Number	Part Name	Qty	IC	S/N	Lbs	Remarks
010	3C512-77220	WIRE HARNESS ENGINE	1			0	
020	99999-99999	DIODE	1			0	
030	3C581-77160	FUSE	3			0.008	30A
040	3C581-77170	FUSE	1			0.008	40A
050	T1060-30530	FUSE	2			0.015	50A
060	3F240-75550	FUSE	1			0.022	100A
070	3C501-77233	WIRE HARNESS H/LIGHT	1			0.528	

ELECTRICAL WIRING (ENGINE) [A] [NEW TYPE]

Ref	Part Number	Part Name	Qty	IC	S/N	Lbs	Remarks
080	01754-50812	BOLT FLANGE	1			0.022	
090	3C511-77250	WIRE HARNESS BODY	1			0	

ELECTRICAL WIRING (MAIN) [A] ## NOTE:ORDER BY ALL PARTS OF Fig.No.U116.

Figure Num 01B51003



ELECTRICAL WIRING (MAIN) [A]

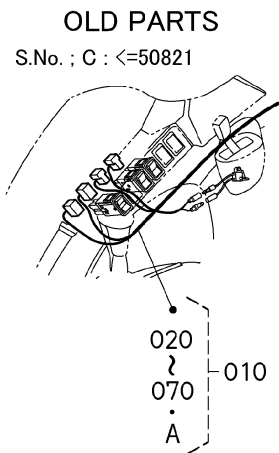
Ref	Part Number	Part Name	Qty	IC	S/N	Lbs	Remarks
010	3C591-77210	WIRE HARNESS MAIN	1	>>	>=50822	0	SEE NOTE
010	3C582-77210	WIRE HARNESS MAIN	1	NI	>=51502	0	
010	3C582-77212	WIRE HARNESS MAIN	1	>>	>=51924	0	
010	3C582-77213	WIRE HARNESS MAIN	1	>>	>=52300	0	
010	3C582-77214	WIRE HARNESS MAIN	1	NI	>=52729	7.788	
010	3C582-77215	WIRE HARNESS MAIN	1	NI	>=54047	7.788	

ELECTRICAL WIRING (MAIN) [A]

Ref	Part Number	Part Name	Qty	IC	S/N	Lbs	Remarks
010	3C581-77213	WIRE HARNESS MAIN	1		<=50821	5.06	
020	T1065-30430	FUSE	7			0.002	5A
030	5H050-41620	FUSE	3			0.002	10A
040	5H050-41630	FUSE	7			0.002	15A
050	5H050-41640	FUSE	3			0.002	20A
060	5H050-41660	FUSE	2			0.002	30A
070	5H050-41690	PULLER FUSE	1			0.002	
080	36919-56650	FUSE AUTO	2		>=51502	0.004	20A
090	3C581-77280	WIRE HARNESS BLOWER	1			0.11	
100	3A751-77250	WIRE HARNESS EARTH	1		<=51189	0.077	
100	3C582-77260	WIRE HARNESS EARTH	1	>>	>=51190	0	
100	3C582-77262	WIRE HARNESS EARTH	1	>>	>=51924	0.198	
110	3G710-71140	BOLT	3			0.011	
120	03004-50620	SCREW WITH WASHER	2			0.011	
130	3N350-77272	COUPLER	1			0.165	
140	3N350-77280	CAP	1			0.006	
150	03054-50306	SCREW PAN-HEAD	4			0.002	
160	3N350-73443	STAY	1			0.264	
170	30400-19060	BOLT FLANGE	2			0.013	
180	01754-50812	BOLT FLANGE	1			0.022	
190	04012-50080	WASHER PLAIN	1			0.002	

ELECTRICAL WIRING (MAIN) [A] ## NOTE:ORDER BY ALL PARTS OF Fig.No.U116.

Figure Num 01B51003



3C501-811-30

ELECTRICAL WIRING (MAIN) [A]

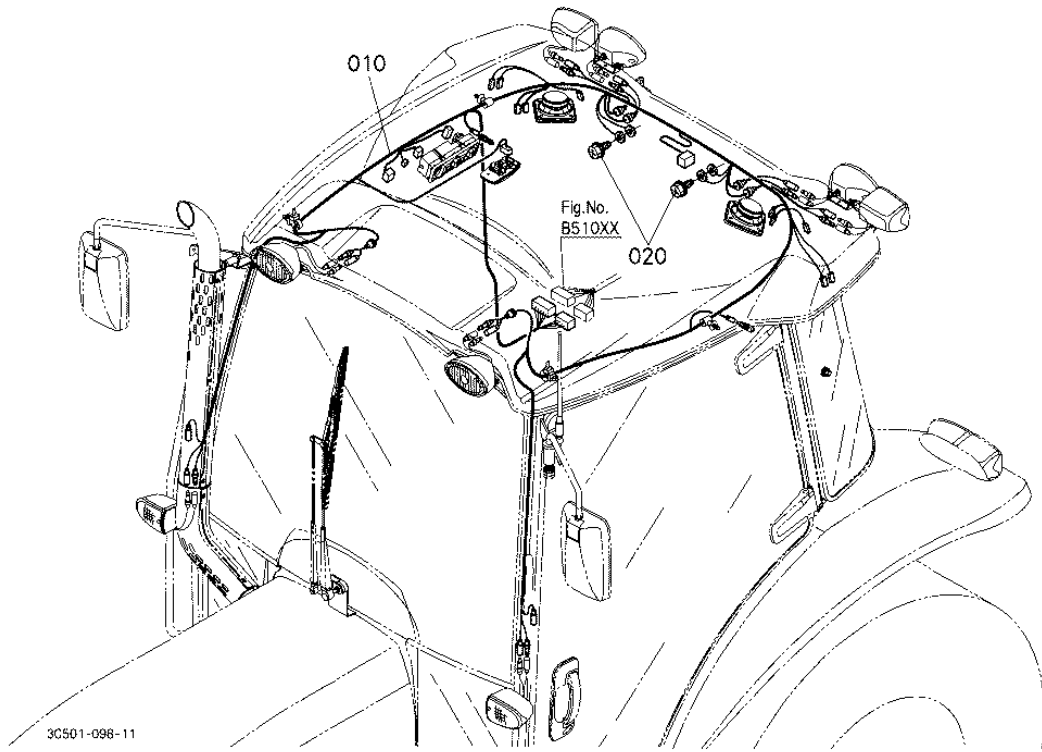
Ref	Part Number	Part Name	Qty	IC	S/N	Lbs	Remarks
010	3C582-77215	WIRE HARNESS MAIN	1	NI	>=54047	7.788	
010	3C582-77214	WIRE HARNESS MAIN	1	NI	>=52729	7.788	
010	3C582-77213	WIRE HARNESS MAIN	1	>>	>=52300	0	
010	3C582-77212	WIRE HARNESS MAIN	1	>>	>=51924	0	
010	3C582-77210	WIRE HARNESS MAIN	1	NI	>=51502	0	
010	3C591-77210	WIRE HARNESS MAIN	1	>>	>=50822	0	SEE NOTE

ELECTRICAL WIRING (MAIN) [A]

Ref	Part Number	Part Name	Qty	IC	S/N	Lbs	Remarks
010	3C581-77213	WIRE HARNESS MAIN	1		<=50821	5.06	

ELECTRICAL WIRING (CAB) [A]

Figure Num 01B52001

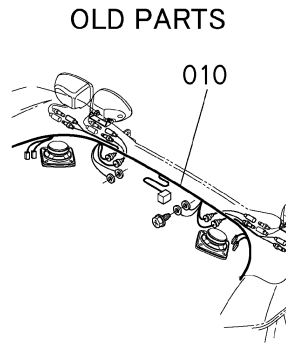


ELECTRICAL WIRING (CAB) [A]

Ref	Part Number	Part Name	Qty	IC	S/N	Lbs	Remarks
010	3C582-77240	WIRE HARNESS CAB	1	NI		2.53	NEW PART
010	3C581-77242	WIRE HARNESS CAB	1	>>	>=50513	1.98	
010	3C581-77240	WIRE HARNESS CAB	1		<=50512	1.98	
020	3G710-71140	BOLT	2			0.011	

ELECTRICAL WIRING (CAB) [A]

Figure Num 01B52001



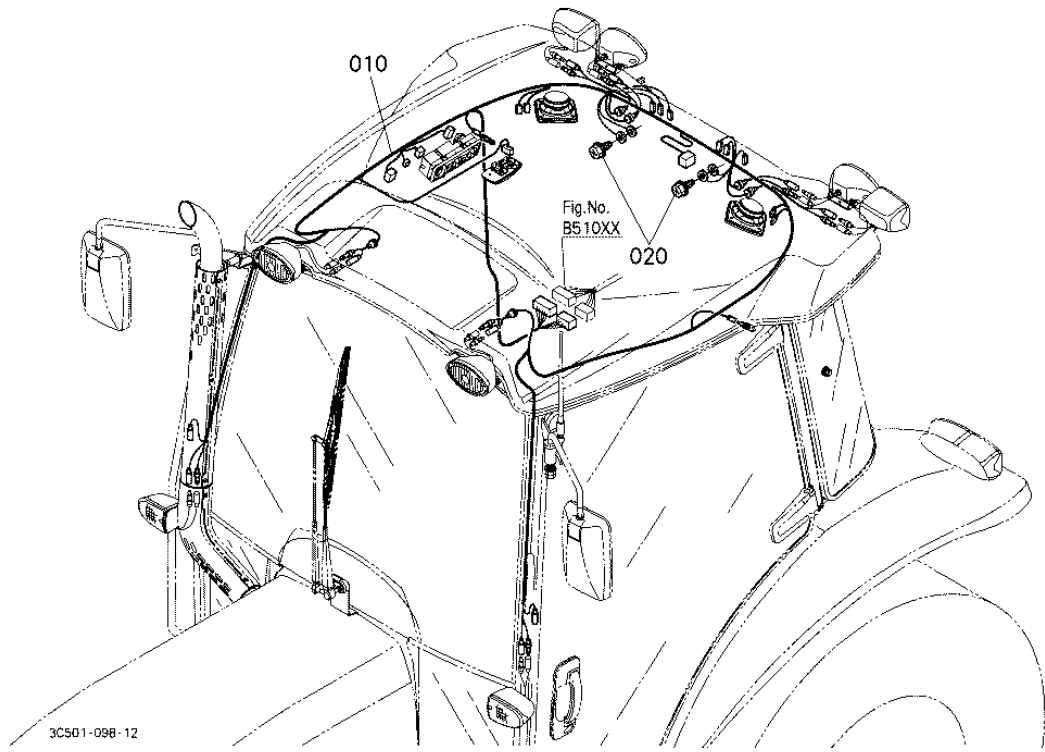
3C501-810-10

ELECTRICAL WIRING (CAB) [A]

Ref	Part Number	Part Name	Qty	IC	S/N	Lbs	Remarks
010	3C582-77240	WIRE HARNESS CAB	1	NI		2.53	NEW PART
010	3C581-77242	WIRE HARNESS CAB	1	>>	>=50513	1.98	
010	3C581-77240	WIRE HARNESS CAB	1		<=50512	1.98	

ELECTRICAL WIRING (CAB) [A]

Figure Num 01B52002

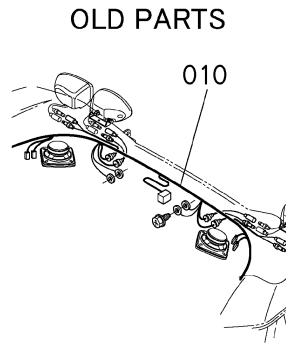


ELECTRICAL WIRING (CAB) [A]

Ref	Part Number	Part Name	Qty	IC	S/N	Lbs	Remarks
010	3C582-77243	WIRE HARNESS CAB	1	>>	>=52300	2.53	
010	3C582-77242	WIRE HARNESS CAB	1	>>	>=51924	2.53	
010	3C582-77240	WIRE HARNESS CAB	1	NI	>=51502	2.53	
010	3C581-77242	WIRE HARNESS CAB	1	>>	>=50513	1.98	
010	3C581-77240	WIRE HARNESS CAB	1		<=50512	1.98	
020	3G710-71140	BOLT	2			0.011	

ELECTRICAL WIRING (CAB) [A]

Figure Num 01B52002



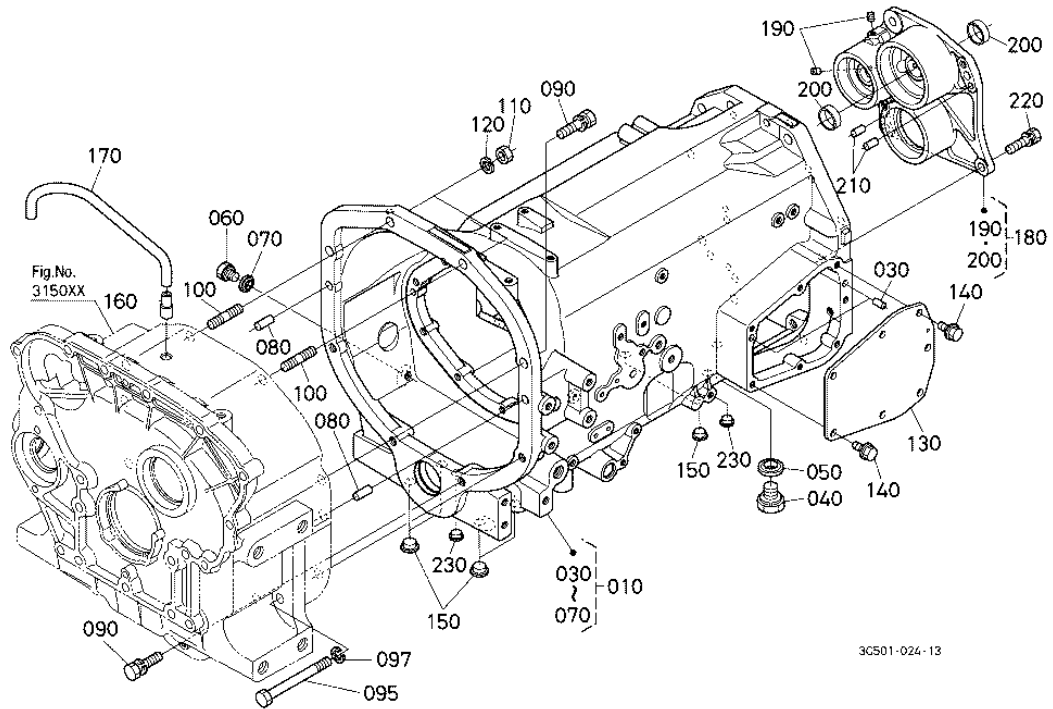
3C501-810-10

ELECTRICAL WIRING (CAB) [A]

Ref	Part Number	Part Name	Qty	IC	S/N	Lbs	Remarks
010	3C582-77243	WIRE HARNESS CAB	1	>>	>=52300	2.53	
010	3C582-77242	WIRE HARNESS CAB	1	>>	>=51924	2.53	
010	3C582-77240	WIRE HARNESS CAB	1	NI	>=51502	2.53	
010	3C581-77242	WIRE HARNESS CAB	1	>>	>=50513	1.98	
010	3C581-77240	WIRE HARNESS CAB	1		<=50512	1.98	

CLUTCH HOUSING

Figure Num 01C11003



CLUTCH HOUSING

Ref	Part Number	Part Name	Qty	IC	S/N	Lbs	Remarks
010	3C231-21100	ASSY HOUSING CLUTCH	1	NI	>=51924	0	
010	3C231-21102	ASSY HOUSING CLUTCH	1	>>	>=52541	0	
010	3C251-21100	ASSY HOUSING CLUTCH	1	NI	>=53106	0	
010	3C251-21102	ASSY HOUSING CLUTCH	1	>>	>=54755	0	
010	3C211-21100	ASSY HOUSING CLUTCH	1		<=51923	200.2	
030	05012-01018	PIN STRAIGHT	2			0.026	
040	06331-35016	PLUG	1			0.088	

CLUTCH HOUSING

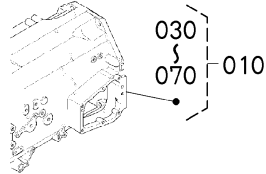
Ref	Part Number	Part Name	Qty	IC	S/N	Lbs	Remarks
050	04717-01610	WASHER WITH RUBBER	1			0.013	
060	06331-35012	PLUG	1			0.048	
070	04717-01200	WASHER WITH RUBBER	1			0.004	
080	05012-01325	PIN STRAIGHT	2			0.061	
090	01138-51450	BOLT	2			0.198	
095	01176-51402	BOLT	4			0.297	
097	04512-60140	WASHER SPRING	4			0.017	
100	36530-93040	STUD	2			0.143	
110	TA240-50240	NUT	2			0.019	
120	04512-60140	WASHER SPRING	2			0.017	
130	3C001-21190	COVER HOUSING	1			3.058	
140	01774-61020	BOLT FLANGE	7			0.048	
150	33300-90910	PLUG	6			0.004	
160	3A751-21632	PIPE BREATHER	2		<=54754	0.022	
160	3A751-21632	PIPE BREATHER	1		>=54755	0.022	
170	36330-21200	PIPE BREATHER	1			0.11	
180	3C001-32300	ASSY HOLDER	1			14.74	
190	32420-67380	PLUG	2			0.011	
200	08511-02510	BUSH	2			0.026	
210	05012-01018	PIN STRAIGHT	2			0.026	
220	01133-51240	BOLT	4			0.11	
230	31220-14290	PLUG	2			0.004	

CLUTCH HOUSING

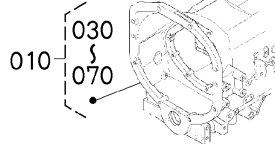
Figure Num 01C11003

OLD PARTS

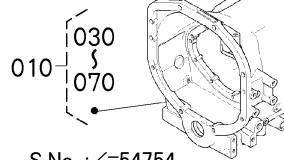
S.No. ; <=51923



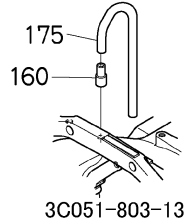
S.No. ; <=52540



S.No. ; <=53105



S.No. ; <=54754



CLUTCH HOUSING

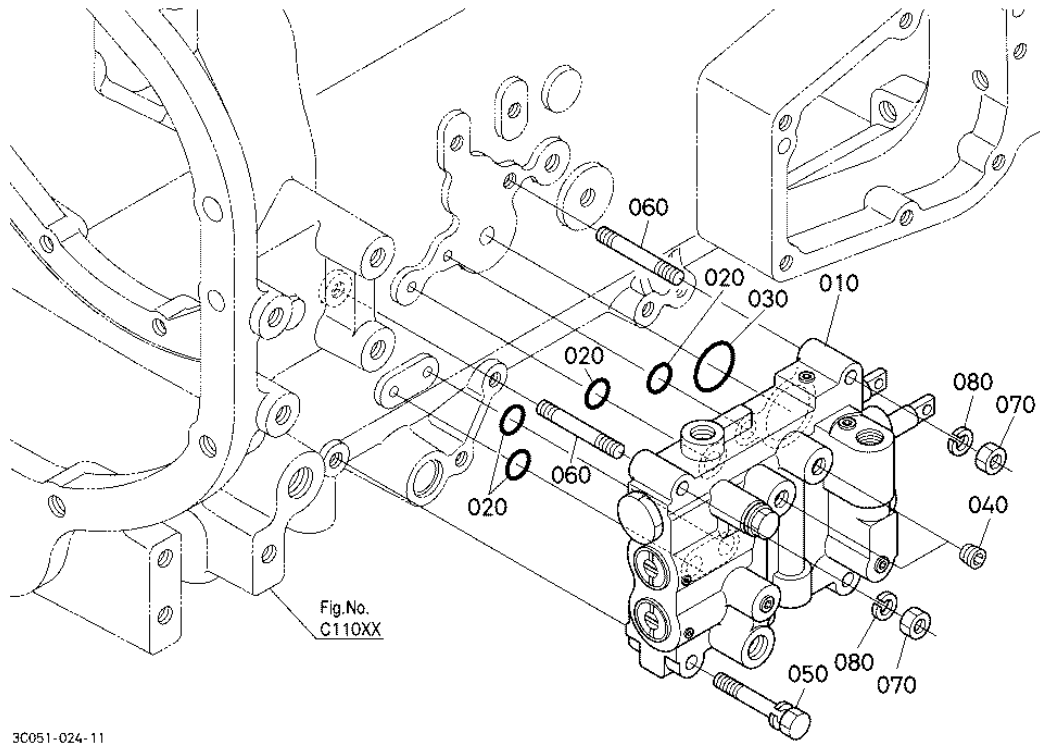
Ref	Part Number	Part Name	Qty	IC	S/N	Lbs	Remarks
010	3C251-21102	ASSY HOUSING CLUTCH	1	>>	>=54755	0	
010	3C251-21100	ASSY HOUSING CLUTCH	1	NI	>=53106	0	
010	3C231-21102	ASSY HOUSING CLUTCH	1	>>	>=52541	0	
010	3C231-21100	ASSY HOUSING CLUTCH	1	NI	>=51924	0	
010	3C211-21100	ASSY HOUSING CLUTCH	1		<=51923	200.2	
160	3A751-21632	PIPE BREATHER	1		>=54755	0.022	
160	3A751-21632	PIPE BREATHER	2		<=54754	0.022	

CLUTCH HOUSING

Ref	Part Number	Part Name	Qty	IC	S/N	Lbs	Remarks
175	36330-21200	PIPE BREATHER	1		<=54754	0.11	

SHUTTLE VALVE

Figure Num 01C111



3C051-024-11

SHUTTLE VALVE

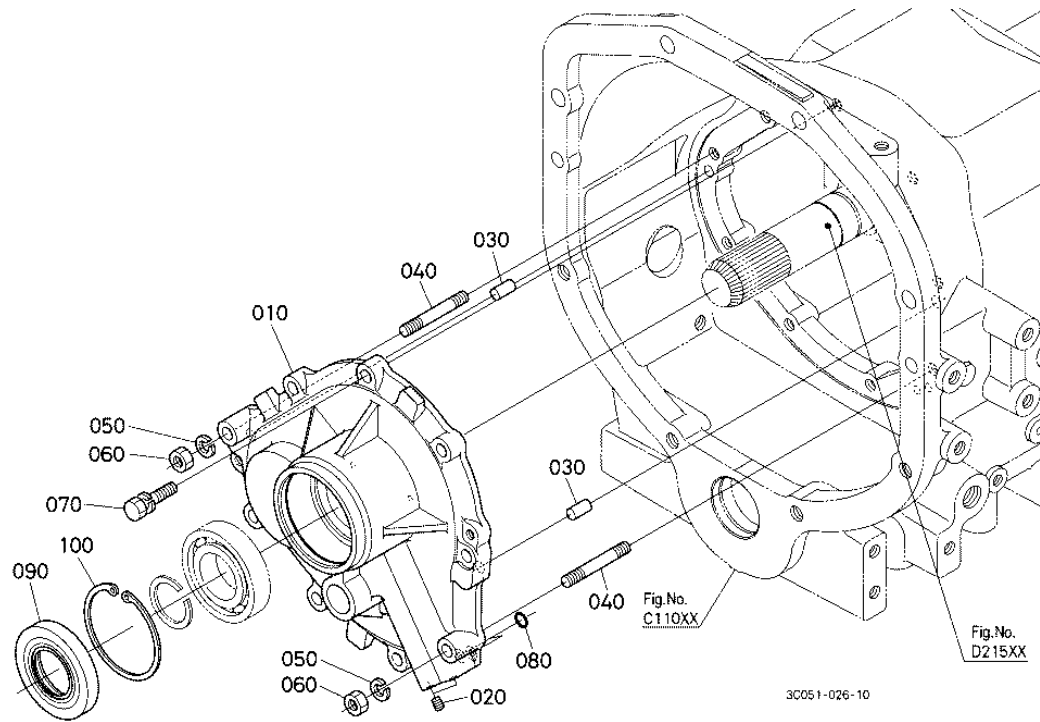
Ref	Part Number	Part Name	Qty	IC	S/N	Lbs	Remarks
010	YW284-00103	ASSY VALVE SHUTTLE	1	>>	>=54544	14.96	
010	YW284-00100	ASSY VALVE SHUTTLE	1		<=54543	14.96	
020	04817-00090	O RING	4			0.002	
030	04811-10310	O RING	1			0.002	
040	15521-96020	PLUG	2			0.006	
050	01123-50855	BOLT	2			0.044	
060	01513-50850	STUD	2			0.046	

SHUTTLE VALVE

Ref	Part Number	Part Name	Qty	IC	S/N	Lbs	Remarks
070	02114-50080	NUT	2			0.011	
080	04512-60080	WASHER SPRING	2			0.004	

SHUTTLE GEAR CASE

Figure Num 01C11302



SHUTTLE GEAR CASE

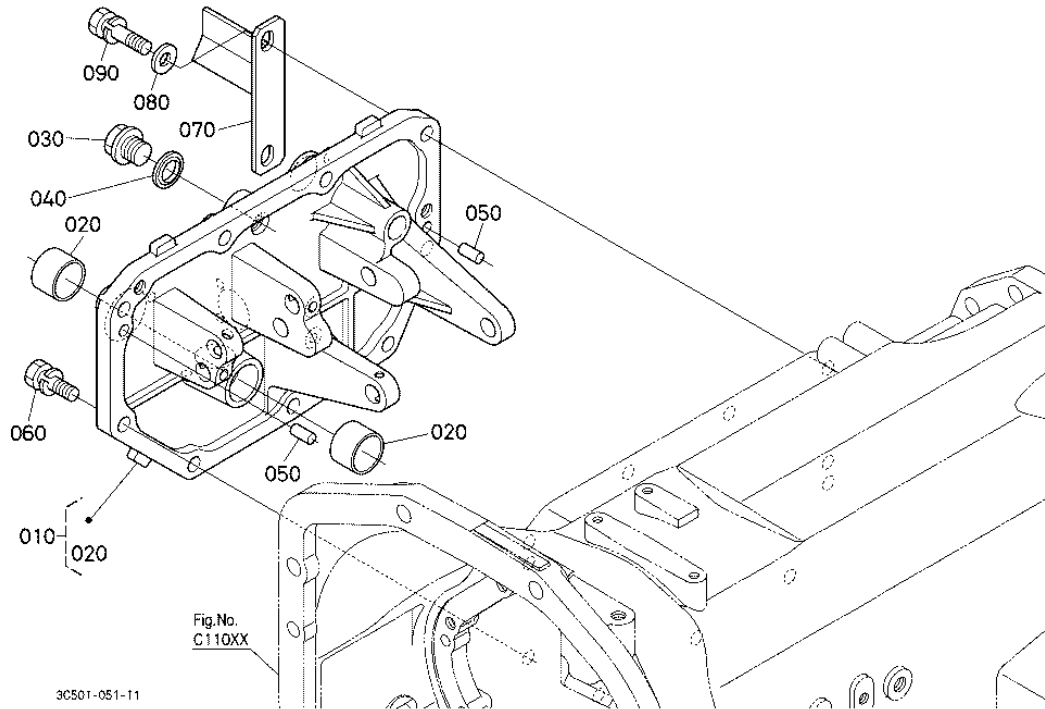
Ref	Part Number	Part Name	Qty	IC	S/N	Lbs	Remarks
010	3C211-24613	CASE GEAR SHUTTLE	1			12.98	
020	32420-67380	PLUG	2			0.011	
030	05012-01018	PIN STRAIGHT	2			0.026	
040	01517-51045	STUD	2			0.070	
050	04512-60100	WASHER SPRING	2			0.004	
060	02176-50100	NUT	2			0.011	
070	01133-51035	BOLT	7			0.066	

SHUTTLE GEAR CASE

Ref	Part Number	Part Name	Qty	IC	S/N	Lbs	Remarks
080	04817-00090	O RING	2			0.002	
090	3C291-24650	SEAL OIL	1			0.121	
100	04611-00800	CIR CLIP INTERNAL	1			0.044	

SHIFT COVER

Figure Num 01C125



SHIFT COVER

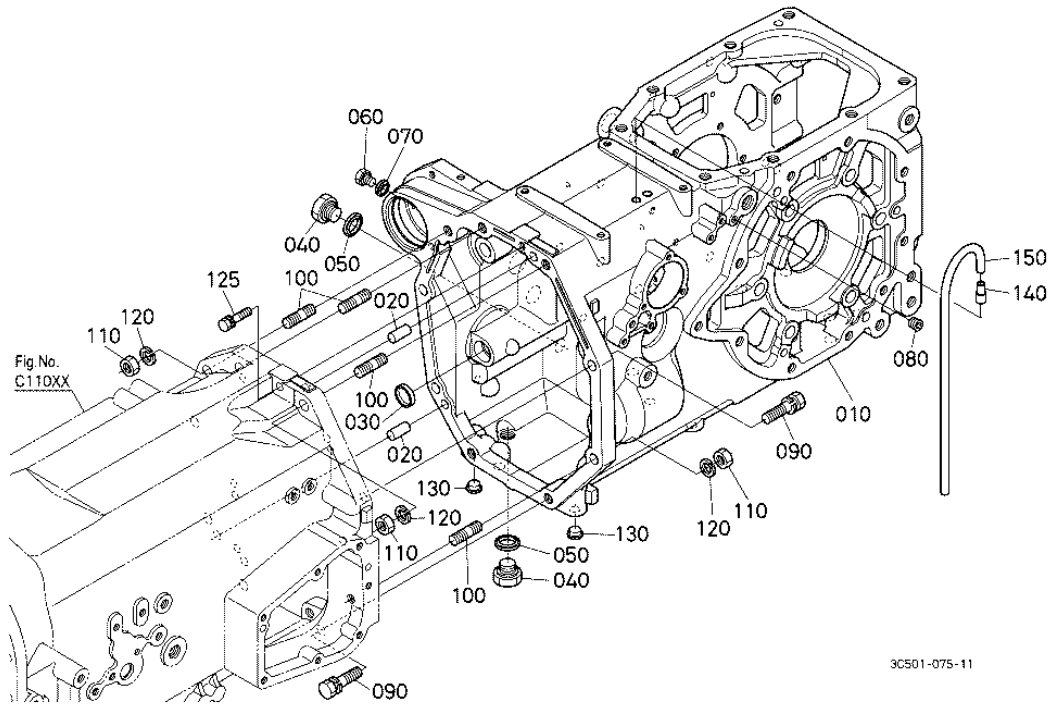
Ref	Part Number	Part Name	Qty	IC	S/N	Lbs	Remarks
010	3C001-21286	COVER SHIFT	1	NI	>=54240	0	
010	3C001-21280	COVER SHIFT	1		<=54239	0	
020	08511-02820	BUSH	2			0.063	
030	15512-96010	PLUG DRAIN	1			0.222	
040	04717-02150	WASHER WITH RUBBER	1			0.008	
050	05012-01018	PIN STRAIGHT	2			0.026	
060	01133-51235	BOLT	7			0.094	

SHIFT COVER

Ref	Part Number	Part Name	Qty	IC	S/N	Lbs	Remarks
070	3C001-21232	STOPPER S-CHANGE	1			0.572	
080	04013-60120	WASHER PLAIN	2			0.022	
090	01133-51245	BOLT	2			0.121	

TRANSMISSION CASE

Figure Num 01C14001



TRANSMISSION CASE

Ref	Part Number	Part Name	Qty	IC	S/N	Lbs	Remarks
010	3C001-21315	CASE TRANSMISSION	1	>>	>=50822	0	
010	3C021-21310	CASE TRANSMISSION	1	NI		0	NEW PART
010	3C001-21314	CASE TRANSMISSION	1		<=50821	0	
020	05012-01325	PIN STRAIGHT	2			0.061	
030	06311-85028	CAP SEALING	1			0.026	
040	06331-35020	PLUG	2			0.149	
050	04717-02000	WASHER WITH RUBBER	2			0.008	

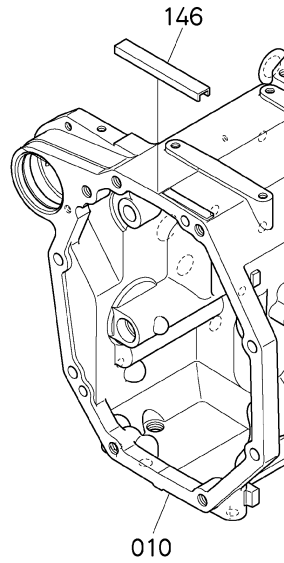
TRANSMISSION CASE

Ref	Part Number	Part Name	Qty	IC	S/N	Lbs	Remarks
060	15469-33610	PLUG	1			0.017	
070	04717-00810	WASHER WITH RUBBER	1			0.002	
080	15521-96020	PLUG	1			0.006	
090	01138-51450	BOLT	5			0.198	
100	3C001-21330	STUD	4			0.149	
110	TA240-50240	NUT	4			0.019	
120	04512-60140	WASHER SPRING	4			0.017	
125	01138-51040	BOLT	1			0.374	NEW PART
130	31220-14290	PLUG	2			0.004	
140	3A751-21632	PIPE BREATHER	1			0.022	
150	36330-21200	PIPE BREATHER	1			0.11	

TRANSMISSION CASE

Figure Num 01C14001

OLD PARTS



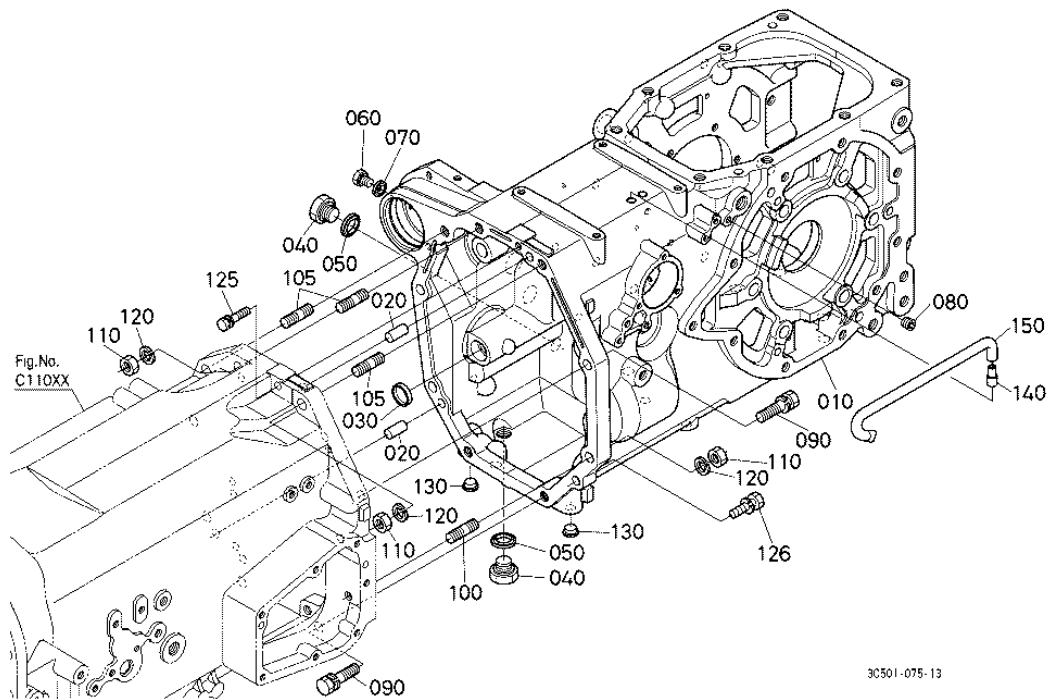
3C051-804-10

TRANSMISSION CASE

Ref	Part Number	Part Name	Qty	IC	S/N	Lbs	Remarks
010	3C021-21310	CASE TRANSMISSION	1	NI		0	NEW PART
010	3C001-21315	CASE TRANSMISSION	1	>>	>=50822	0	
010	3C001-21314	CASE TRANSMISSION	1		<=50821	0	
146	3C001-21180	TRIM	1			0.037	OLD PART

TRANSMISSION CASE

Figure Num 01C14002



TRANSMISSION CASE

Ref	Part Number	Part Name	Qty	IC	S/N	Lbs	Remarks
010	3C001-21315	CASE TRANSMISSION	1	>>	>=50822	0	
010	3C021-21310	CASE TRANSMISSION	1	NI	>=51924	0	
010	3C041-21310	CASE TRANSMISSION	1	NI	>=53106	193.6	
010	3C001-21314	CASE TRANSMISSION	1		<=50821	0	
020	05012-01325	PIN STRAIGHT	2			0.061	
030	06311-85028	CAP SEALING	1			0.026	
040	06331-35020	PLUG	2			0.149	

TRANSMISSION CASE

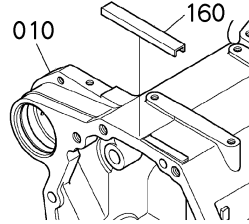
Ref	Part Number	Part Name	Qty	IC	S/N	Lbs	Remarks
050	04717-02000	WASHER WITH RUBBER	2			0.008	
060	15469-33610	PLUG	1			0.017	
070	04717-00810	WASHER WITH RUBBER	1			0.002	
080	15521-96020	PLUG	1			0.006	
090	01138-51450	BOLT	5			0.198	
100	3C001-21330	STUD	4		<=52540	0.149	ORDER BY REF.No.10
100	3C001-21333	STUD	1	NI	>=52541	0.149	
105	3C081-21150	STUD	3		>=52541	0.176	
110	TA240-50240	NUT	4			0.019	
120	04512-60140	WASHER SPRING	4			0.017	
125	01138-51045	BOLT	1		>=51924	0	
126	01138-51245	BOLT	1		>=53106	0.112	
130	31220-14290	PLUG	2			0.004	
140	3A751-21632	PIPE BREATHER	1			0.022	
150	36330-21200	PIPE BREATHER	1			0.11	

TRANSMISSION CASE

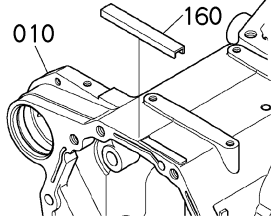
Figure Num 01C14002

OLD PARTS

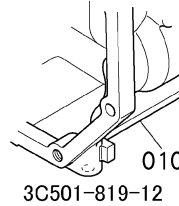
S.No. : <=50821



S.No. : 50822 to 51923



S.No. : <=53105

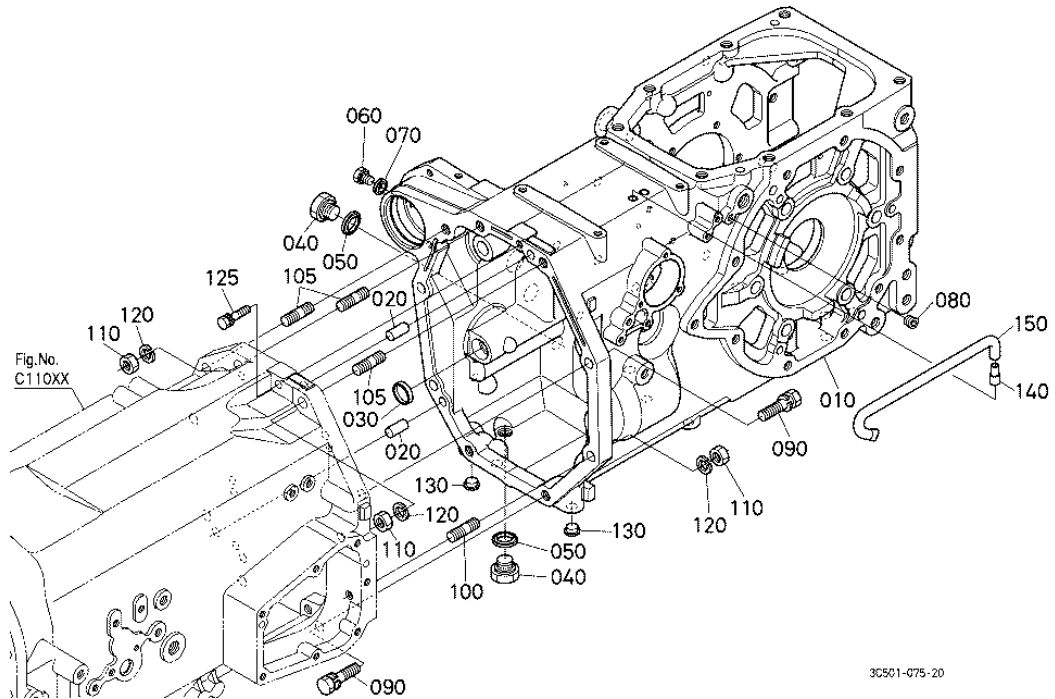


TRANSMISSION CASE

Ref	Part Number	Part Name	Qty	IC	S/N	Lbs	Remarks
010	3C041-21310	CASE TRANSMISSION	1	NI	>=53106	193.6	
010	3C021-21310	CASE TRANSMISSION	1	NI	>=51924	0	
010	3C001-21315	CASE TRANSMISSION	1	>>	>=50822	0	
010	3C001-21314	CASE TRANSMISSION	1		<=50821	0	
160	3C001-21180	TRIM	1		<=51923	0.037	

TRANSMISSION CASE [OLD TYPE] ## S.No.;<=53105

Figure Num 01C14003



TRANSMISSION CASE [OLD TYPE]

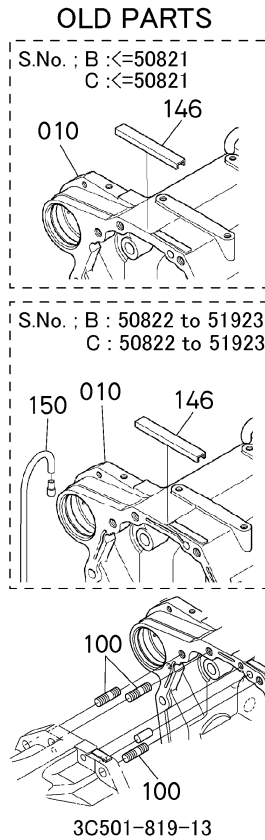
Ref	Part Number	Part Name	Qty	IC	S/N	Lbs	Remarks
010	3C001-21315	CASE TRANSMISSION	1	>>	>=50822	0	
010	3C021-21310	CASE TRANSMISSION	1	NI	>=51924	0	
010	3C001-21314	CASE TRANSMISSION	1		<=50821	0	
020	05012-01325	PIN STRAIGHT	2			0.061	
030	06311-85028	CAP SEALING	1			0.026	
040	06331-35020	PLUG	2			0.149	
050	04717-02000	WASHER WITH RUBBER	2			0.008	

TRANSMISSION CASE [OLD TYPE]

Ref	Part Number	Part Name	Qty	IC	S/N	Lbs	Remarks
060	15469-33610	PLUG	1			0.017	
070	04717-00810	WASHER WITH RUBBER	1			0.002	
080	15521-96020	PLUG	1			0.006	
090	01138-51450	BOLT	5			0.198	
100	3C001-21333	STUD	1	NI	>=52541	0.149	
100	3C001-21330	STUD	4		<=52540	0.149	ORDER BY REF.No.10
105	3C081-21150	STUD	3		>=52541	0.176	
110	TA240-50240	NUT	4			0.019	
120	04512-60140	WASHER SPRING	4			0.017	
125	01138-51045	BOLT	1		>=51924	0	
130	31220-14290	PLUG	2			0.004	
140	3A751-21632	PIPE BREATHER	1			0.022	
150	3C581-21620	HOSE	1	>>	>=51924	0.066	
150	36330-21200	PIPE BREATHER	1		<=51923	0.11	

TRANSMISSION CASE [OLD TYPE] ## S.No.;<=53105

Figure Num 01C14003



TRANSMISSION CASE [OLD TYPE]

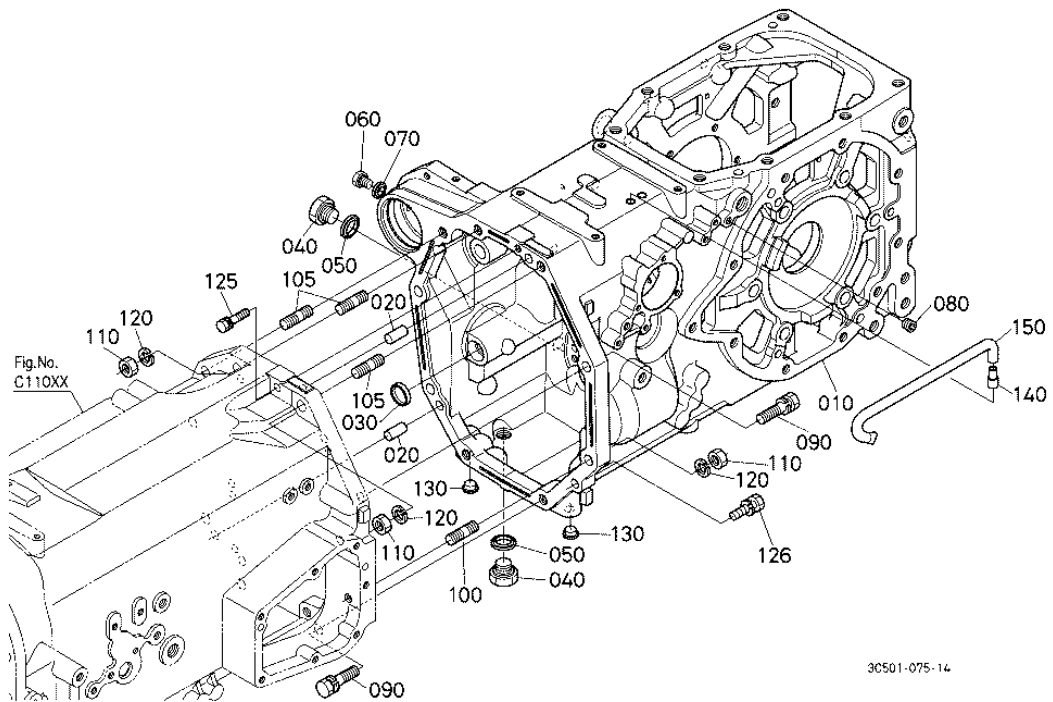
Ref	Part Number	Part Name	Qty	IC	S/N	Lbs	Remarks
010	3C021-21310	CASE TRANSMISSION	1	NI	>=51924	0	ORDER BY REF.No.10
010	3C001-21315	CASE TRANSMISSION	1	>>	>=50822	0	
010	3C001-21314	CASE TRANSMISSION	1		<=50821	0	
100	3C001-21333	STUD	1	NI	>=52541	0.149	
100	3C001-21330	STUD	4		<=52540	0.149	
146	3C001-21180	TRIM	1		<=51923	0.037	
150	3C581-21620	HOSE	1	>>	>=51924	0.066	

TRANSMISSION CASE [OLD TYPE]

Ref	Part Number	Part Name	Qty	IC	S/N	Lbs	Remarks
150	36330-21200	PIPE BREATHER	1		<=51923	0.11	

TRANSMISSION CASE [NEW TYPE] ## S.No.;>=53106

Figure Num 01C14004



TRANSMISSION CASE [NEW TYPE]

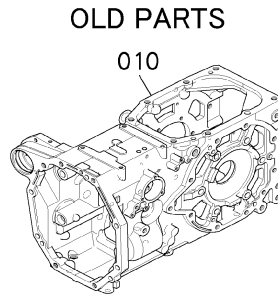
Ref	Part Number	Part Name	Qty	IC	S/N	Lbs	Remarks
010	3C041-21312	CASE TRANSMISSION	1	NI	>=54047	0	
010	3C041-21313	CASE TRANSMISSION	1	>>	>=54144	176	
010	3C041-21310	CASE TRANSMISSION	1		<=54046	193.6	
020	05012-01325	PIN STRAIGHT	2			0.061	
030	06311-85028	CAP SEALING	1			0.026	
040	06331-35020	PLUG	2			0.149	
050	04717-02000	WASHER WITH RUBBER	2			0.008	

TRANSMISSION CASE [NEW TYPE]

Ref	Part Number	Part Name	Qty	IC	S/N	Lbs	Remarks
060	15469-33610	PLUG	1			0.017	
070	04717-00810	WASHER WITH RUBBER	1			0.002	
080	15521-96020	PLUG	1			0.006	
090	01138-51450	BOLT	5			0.198	
100	3C001-21333	STUD	1			0.149	
105	3C081-21150	STUD	3			0.176	
110	TA240-50240	NUT	4			0.019	
120	04512-60140	WASHER SPRING	4			0.017	
125	01138-51045	BOLT	1			0	
126	01138-51245	BOLT	1			0.112	
130	31220-14290	PLUG	2			0.004	
140	3A751-21632	PIPE BREATHER	1			0.022	
150	3C581-21620	HOSE	1			0.066	

TRANSMISSION CASE [NEW TYPE] ## S.No.;>=53106

Figure Num 01C14004



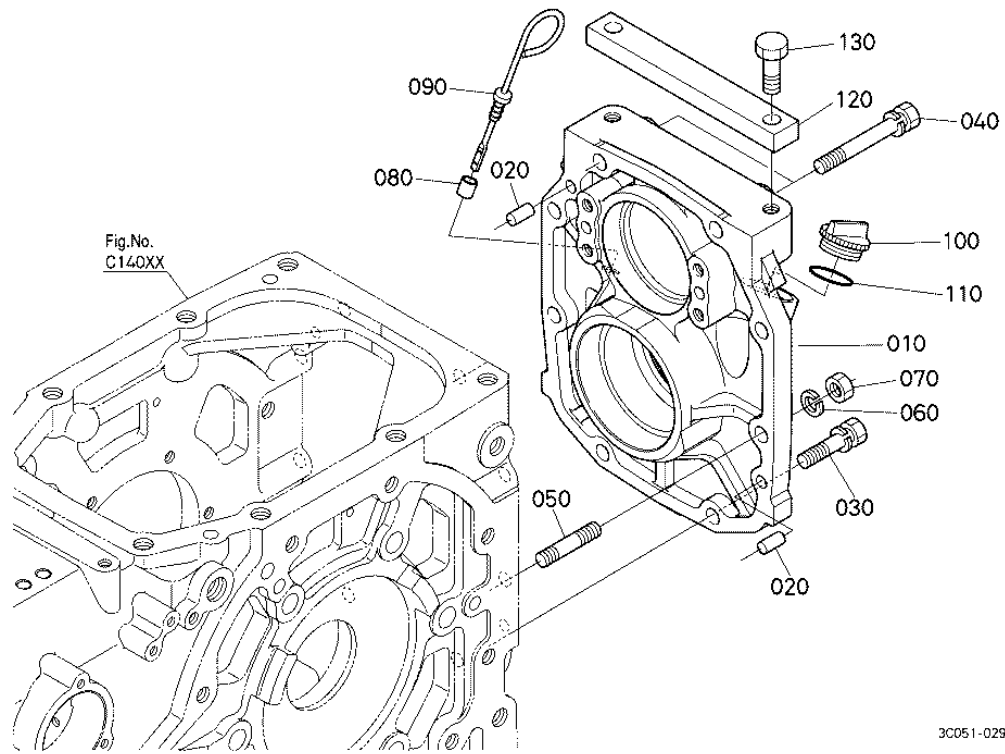
3C051-831-10

TRANSMISSION CASE [NEW TYPE]

Ref	Part Number	Part Name	Qty	IC	S/N	Lbs	Remarks
010	3C041-21313	CASE TRANSMISSION	1	>>	>=54144	176	
010	3C041-21312	CASE TRANSMISSION	1	NI	>=54047	0	
010	3C041-21310	CASE TRANSMISSION	1		<=54046	193.6	

TRANSMISSION CASE REAR COVER

Figure Num 01C150



TRANSMISSION CASE REAR COVER

Ref	Part Number	Part Name	Qty	IC	S/N	Lbs	Remarks
010	3C001-21415	CASE GEAR	1	>>	>=53533	20.02	
010	3C001-21410	CASE GEAR	1		<=53532	0	
020	05012-01018	PIN STRAIGHT	2			0.026	
030	01133-51240	BOLT	4			0.11	
040	01133-51275	BOLT	2			0.044	
050	01574-61235	STUD	2			0.088	
060	04512-60120	WASHER SPRING	2			0.011	

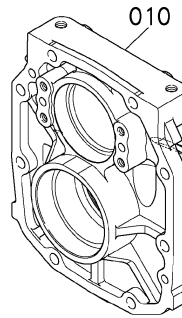
TRANSMISSION CASE REAR COVER

Ref	Part Number	Part Name	Qty	IC	S/N	Lbs	Remarks
070	02176-50120	NUT	2			0.022	
080	33960-21520	GUIDE OIL GAUGE	1			0.022	
090	3A211-21510	GAUGE OIL	1			0.055	
100	38240-21410	PLUG	1			0.033	
110	04816-50300	O RING	1			0.002	
120	3C001-81880	STOPPER	1			1.21	
130	32701-52930	BOLT UBS	2			0.11	

TRANSMISSION CASE REAR COVER

Figure Num 01C150

OLD PARTS



3C211-808-10

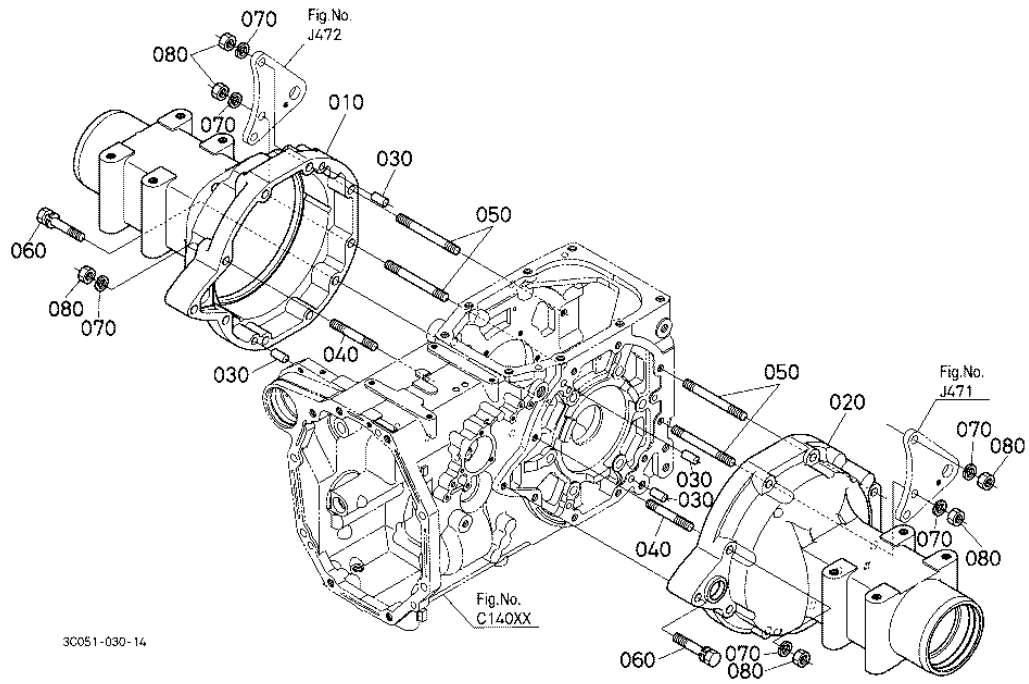
TRANSMISSION CASE REAR COVER

Ref	Part Number	Part Name	Qty	IC	S/N	Lbs	Remarks
010	3C001-21415	CASE GEAR	1	>>	>=53533	20.02	
010	3C001-21410	CASE GEAR	1		<=53532	0	

REAR AXLE CASE

Figure Num 01C170

NOTE1: ORDER BY REF. No. 010 (3C011-4815-0) Fig. No. F200 REF. No. 140 and Fig. No. F206 REF. No. 010 NEW PARTS.
 NOTE2: ORDER BY REF. No. 010 (3C011-4811-0) Fig. No. F200 REF. No. 280 and Fig. No. F207 REF. No. 010 NEW PARTS.



REAR AXLE CASE

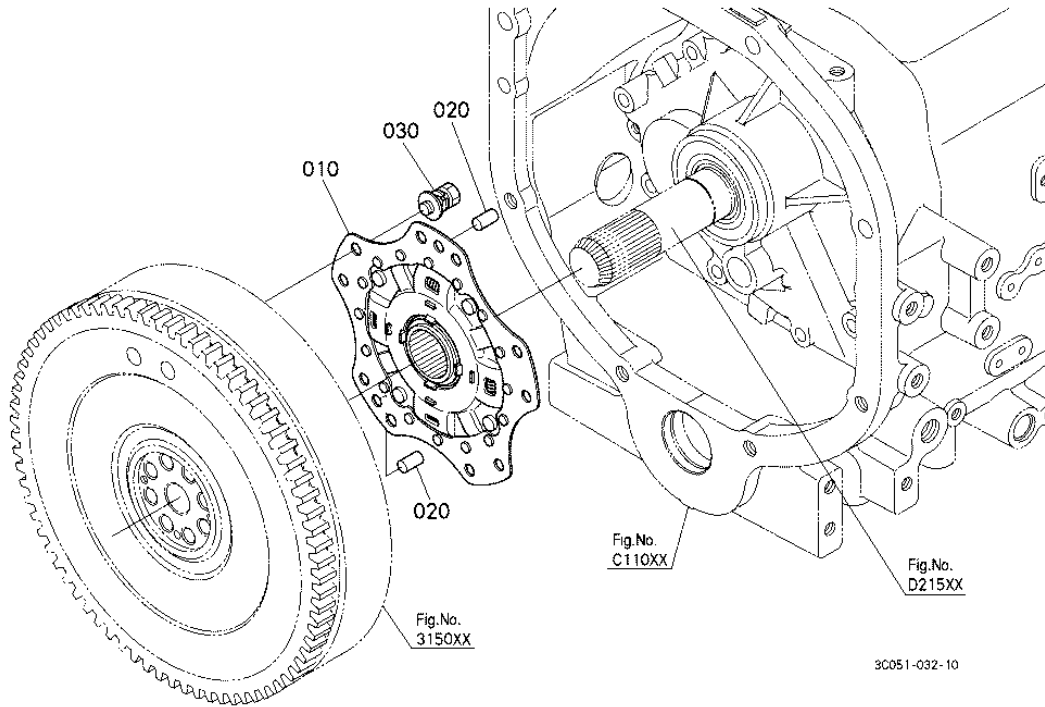
Ref	Part Number	Part Name	Qty	IC	S/N	Lbs	Remarks
010	3C011-48154	CASE AXLE RH	1	>>	>=54240	88	
010	3C011-48152	CASE AXLE RH	1	>>	>=52729	0	
010	3C011-48150	CASE AXLE RH	1	NI	>=52300	81.4	
010	3C001-48150	CASE AXLE RH	1		<=52299	81.4	SEE NOTE 1
020	3C011-48114	CASE AXLE LH	1	>>	>=54240	88	
020	3C011-48112	CASE AXLE LH	1	>>	>=52729	0	
020	3C011-48110	CASE AXLE LH	1	NI	>=52300	88	

REAR AXLE CASE

Ref	Part Number	Part Name	Qty	IC	S/N	Lbs	Remarks
020	3C001-48110	CASE AXLE LH	1		<=52299	81.4	SEE NOTE 2
030	05012-01325	PIN STRAIGHT	4			0.061	
040	01517-51475	STUD	2			0.242	
050	3C001-48180	STUD	4			0.385	
060	01138-51480	BOLT	14			0.242	
070	04512-60140	WASHER SPRING	6			0.017	
080	02176-50140	NUT	6			0.030	

DAMPER DISK

Figure Num 01C220

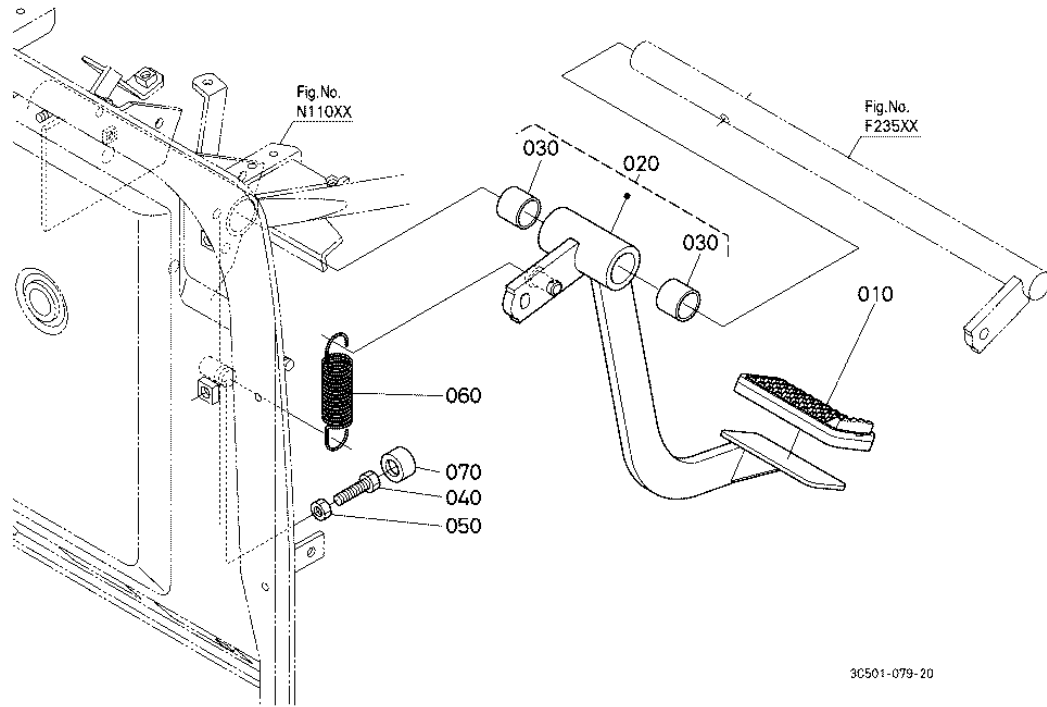


DAMPER DISK

Ref	Part Number	Part Name	Qty	IC	S/N	Lbs	Remarks
010	3C211-25130	ASSY DAMPER	1	=		4.62	
010	3A051-25130	ASSY DISK DAMPER	1			5.94	
020	05012-01018	PIN STRAIGHT	2			0.026	
030	01135-61020	BOLT	10			0.033	

CLUTCH PEDAL

Figure Num 01C24002

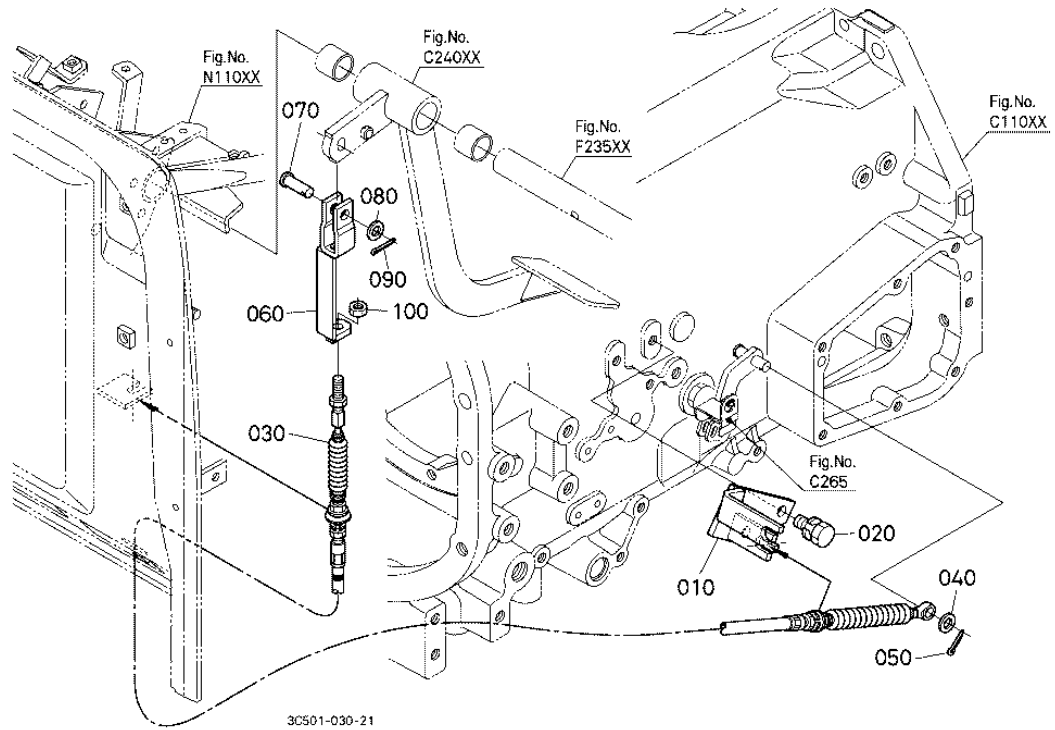


CLUTCH PEDAL

Ref	Part Number	Part Name	Qty	IC	S/N	Lbs	Remarks
010	T2050-44120	COVER PEDAL	1			0.154	
020	3C791-26100	PEDAL CLUTCH	1			3.08	
030	08511-02520	BUSH	2			0.044	
040	01073-51040	BOLT	1			0.074	
050	02116-50100	NUT	1			0.008	
060	33980-26160	SPRING	1			0.189	
070	T0270-47490	CUSHION	1			0.004	

CLUTCH CABLE

Figure Num 01C26002



CLUTCH CABLE

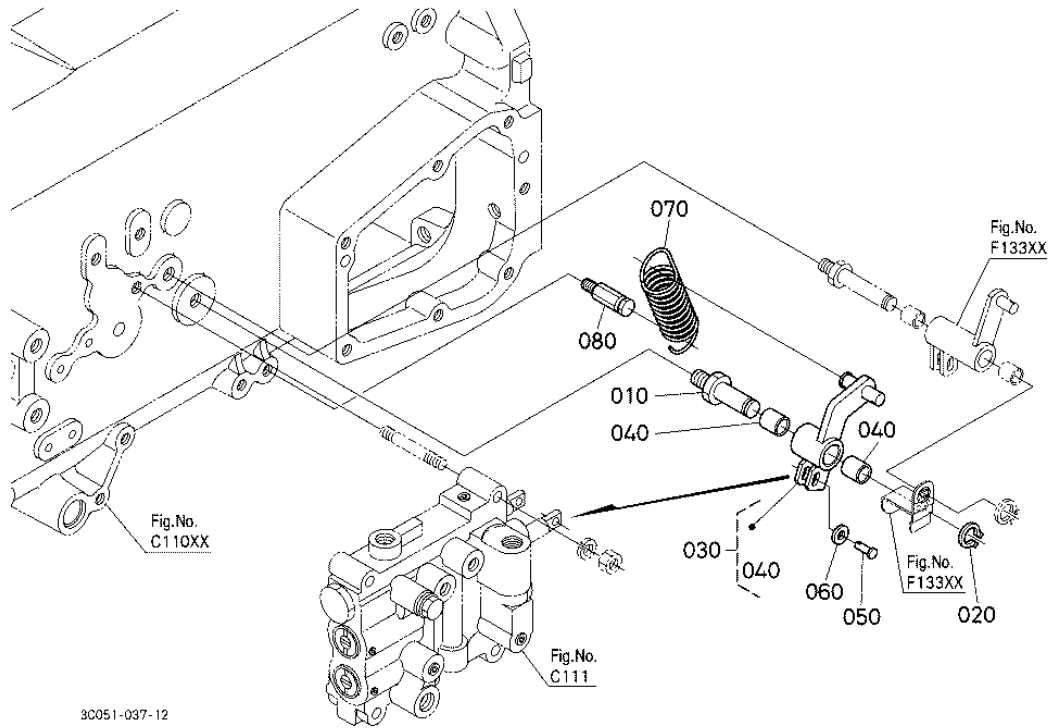
Ref	Part Number	Part Name	Qty	IC	S/N	Lbs	Remarks
010	3C501-33120	BRACKET WIRE	1			0.792	
020	01133-51020	BOLT	2			0.044	
030	3C711-26522	CABLE CLUTCH	1			0.748	
040	04011-50100	WASHER PLAIN	1			0.004	
050	05511-50320	PIN SPLIT	1			0.004	
060	3C581-26554	U JOINT	1		>=53203	0.473	
060	3C581-26550	U JOINT	1		<=53202	0.473	ORDER BY REF.No.06

CLUTCH CABLE

Ref	Part Number	Part Name	Qty	IC	S/N	Lbs	Remarks
070	38430-15790	PIN JOINT	1			0.044	
080	04011-50100	WASHER PLAIN	1			0.004	
090	05511-50320	PIN SPLIT	1			0.004	
100	02156-50080	NUT	1			0.008	

VALVE LEVER (CLUTCH)

Figure Num 01C265



VALVE LEVER (CLUTCH)

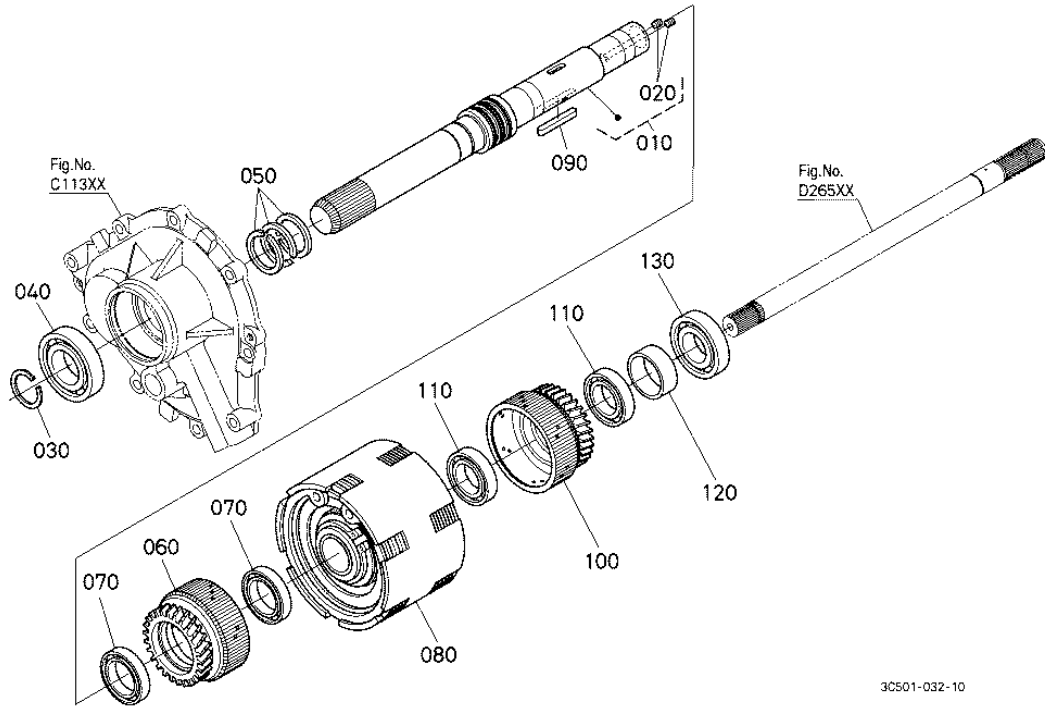
Ref	Part Number	Part Name	Qty	IC	S/N	Lbs	Remarks
010	3C291-33120	PIN	1			0.154	
020	04612-00140	CIR CLIP EXTERNAL	1			0.002	
030	3C211-26300	ASSY LEVER CLUTCH	1			0.369	
040	08511-01412	BUSH	2			0.008	
050	3A051-26820	PIN JOINT	1			0.013	
060	04013-60060	WASHER PLAIN	1			0.002	
070	3C211-26160	SPRING CLUTCH	1			0.231	

VALVE LEVER (CLUTCH)

Ref	Part Number	Part Name	Qty	IC	S/N	Lbs	Remarks
080	3C211-26340	PIN CLUTCH SPRING	1			0.061	

INPUT SHAFT

Figure Num 01D21502



INPUT SHAFT

Ref	Part Number	Part Name	Qty	IC	S/N	Lbs	Remarks
010	3C711-28200	ASSY SHAFT INPUT	1			9.02	
020	32420-67380	PLUG	2			0.011	
030	36730-28043	CIR-CLIP EXTERNAL	1			0.022	
040	TC210-26280	BEARING BALL	1			0.792	
050	3F750-28042	RING SEAL	3			0.002	
060	3C211-23330	GEAR	1			2.156	27T
070	08101-06908	BEARING BALL	2			0.242	

INPUT SHAFT

Ref	Part Number	Part Name	Qty	IC	S/N	Lbs	Remarks
080	3C211-23200	ASSY CLUTCH SHUTTLE	1			27.06	
090	3C291-28080	KEY FEATHER	1	>>	>=52729	0	
090	05712-00755	KEY FEATHER	1		<=52728	0.048	
100	3C211-23340	GEAR	1			2.31	29T
110	08101-06007	BEARING BALL	2		<=54239	0.352	
110	6A700-16510	BEARING BALL	2	NI	>=54240	0.33	
120	3C211-23460	COLLAR	1		<=51720	0.151	19.5mm
120	3C211-23462	COLLAR	1	>>	>=51721	0.151	19.5mm
130	T2050-23460	BEARING BALL	1			0.616	