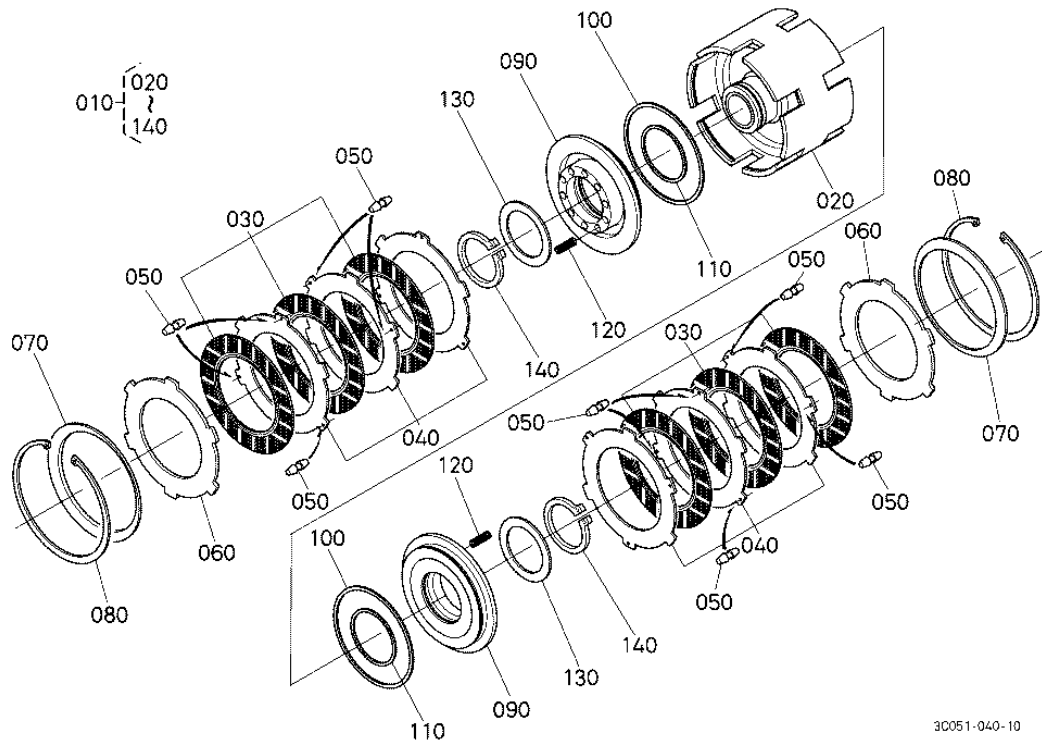


INPUT SHAFT

Ref	Part Number	Part Name	Qty	IC	S/N	Lbs	Remarks
080	3C211-23200	ASSY CLUTCH SHUTTLE	1			27.06	
090	3C291-28080	KEY FEATHER	1	>>	>=52729	0	
090	05712-00755	KEY FEATHER	1		<=52728	0.048	
100	3C211-23340	GEAR	1			2.31	29T
110	08101-06007	BEARING BALL	2		<=54239	0.352	
110	6A700-16510	BEARING BALL	2	NI	>=54240	0.33	
120	3C211-23460	COLLAR	1		<=51720	0.151	19.5mm
120	3C211-23462	COLLAR	1	>>	>=51721	0.151	19.5mm
130	T2050-23460	BEARING BALL	1			0.616	

SHUTTLE CLUTCH [COMPONENT PARTS]

Figure Num 01D216



SHUTTLE CLUTCH [COMPONENT PARTS]

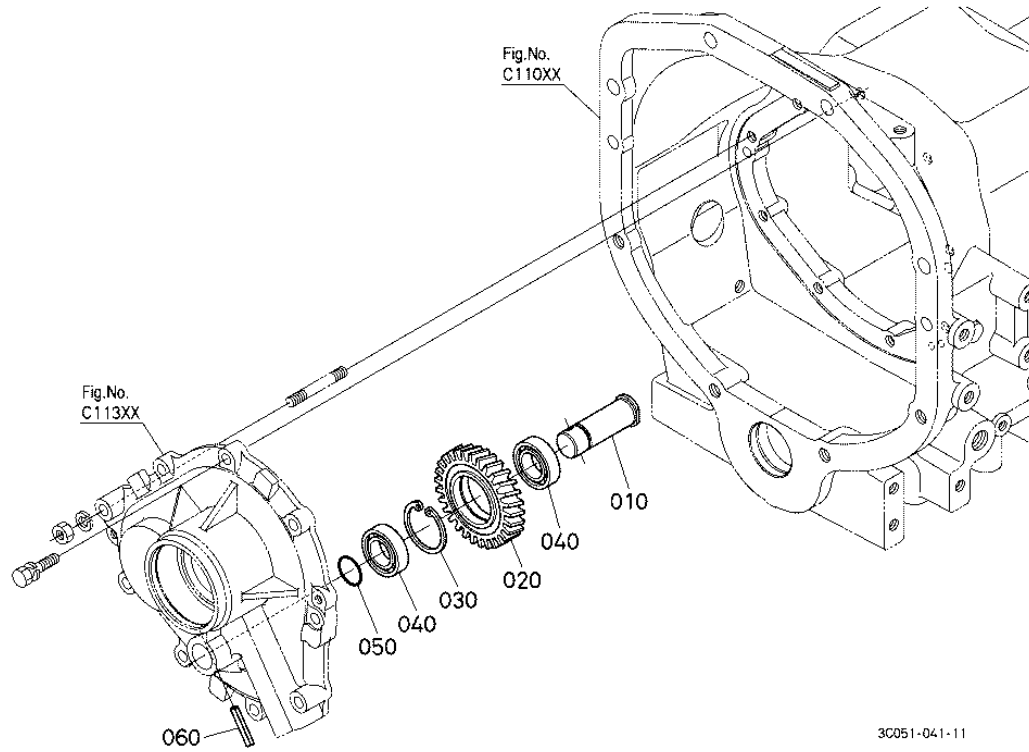
Ref	Part Number	Part Name	Qty	IC	S/N	Lbs	Remarks
010	3C211-23200	ASSY CLUTCH SHUTTLE	1			27.06	
020	3C211-23010	CASE CLUTCH SHUTTLE	1			11.44	
030	3C291-23130	DISK CLUTCH	6			0.385	2.90mm SUITABILITY
030	3C291-23030	DISK CLUTCH	6			0.396	3.05mm SUITABILITY
040	3C291-23040	PLATE	6			0.55	3.2mm
050	3C291-23150	RUBBER	12			0.002	
060	3C291-23050	PLATE	2			0.825	4.5mm

SHUTTLE CLUTCH [COMPONENT PARTS]

Ref	Part Number	Part Name	Qty	IC	S/N	Lbs	Remarks
070	3C291-23160	SPRING PLATE	2			0.242	
080	36760-40100	CIR CLIP INTERNAL	2			0.213	
090	3C291-23020	PISTON SHUTTLE	2			3.168	
100	3F240-23740	D RING OUTER	2			0.011	
110	33740-23752	D RING INNER	2			0.004	
120	3C291-23140	SPRING	20			0.006	
130	3C291-23080	COLLAR THRUST	2			0.121	
140	04612-00620	CIR CLIP EXTERNAL	2			0.026	

SHUTTLE SHAFT

Figure Num 01D21702

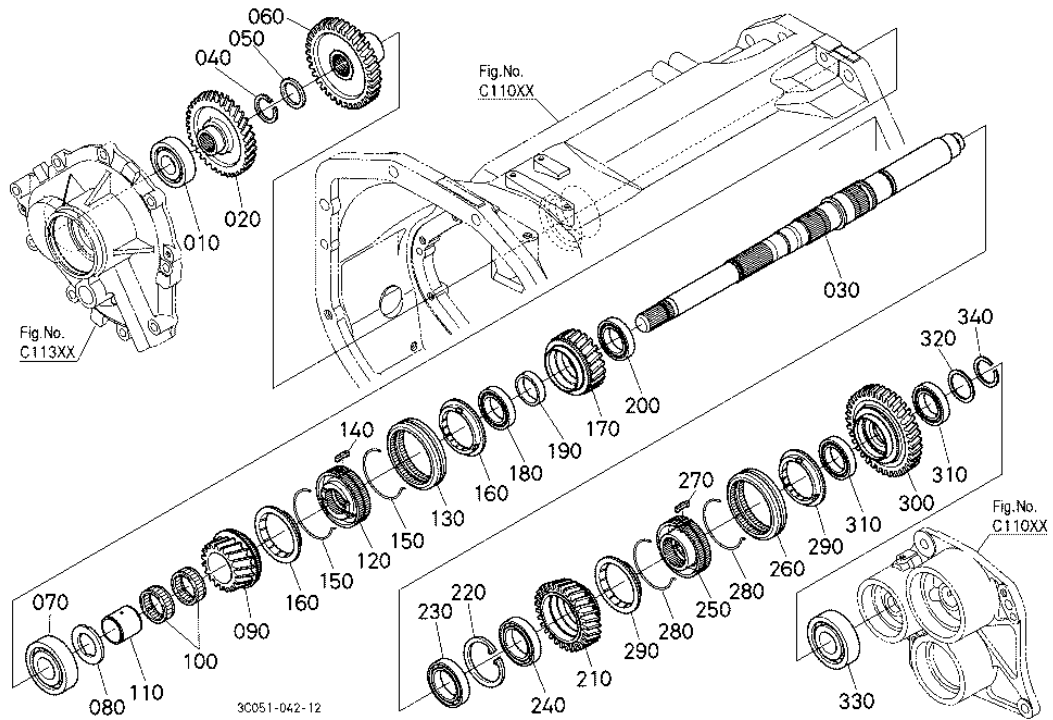


SHUTTLE SHAFT

Ref	Part Number	Part Name	Qty	IC	S/N	Lbs	Remarks
010	3C211-23450	SHAFT BACK IDLE	1			0.627	
020	3C001-23410	GEAR	1			1.243	29T
030	04611-00470	CIR CLIP INTERNAL	1			0.013	
040	08101-06005	BEARING BALL	2			0.178	
050	04816-00210	O RING	1			0.008	
060	05411-00640	PIN SPRING	1			0.013	

FIRST SHAFT

Figure Num 01D22502



FIRST SHAFT

Ref	Part Number	Part Name	Qty	IC	S/N	Lbs	Remarks
010	T2050-23460	BEARING BALL	1			0.616	
020	3C001-23390	GEAR	1			1.727	34T
030	3C211-28060	SHAFT	1			0	
040	3C001-28070	CIR CLIP EXTERNAL	1			0.011	
050	3C001-28410	COLLAR	1			0.033	3.0mm SUITABILITY
050	3C001-28420	COLLAR	1			0.033	3.2mm SUITABILITY
050	3C001-28430	COLLAR	1			0.033	3.4mm SUITABILITY

FIRST SHAFT

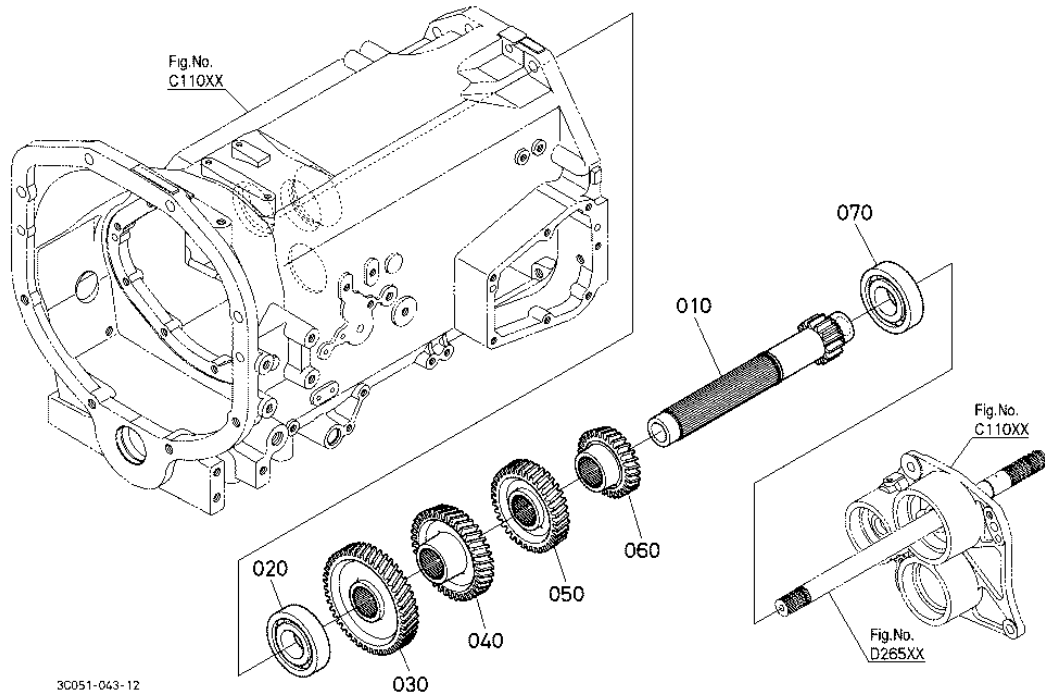
Ref	Part Number	Part Name	Qty	IC	S/N	Lbs	Remarks
050	3C001-28440	COLLAR	1			0.033	3.6mm SUITABILITY
060	3C001-30280	GEAR	1			2.343	37T
070	TA140-25000	BEARING BALL	1			0.752	
080	3C001-28020	COLLAR	1			0.066	
090	3C001-28212	GEAR	1			1.078	19T
100	3A011-28350	BEARING NEEDLE	2		<=51501	0.055	
100	3C001-28340	BEARING NEEDLE	2	>>	>=51502	0	
110	3C001-28310	RACE INNER	1			0.154	
120	3C001-28380	COUPLING	1			0.792	
130	3A152-28390	SHIFTER	1			0.517	
140	32430-21440	KEY SYNCHRONIZER	3		<=54143	0.008	
140	T1850-21440	KEY SYNCHRONIZER	3	>>	>=54144	0.004	
150	38360-21780	SPRING	2			0.002	
160	3C001-28510	RING SYNCHRONIZER	2			0.11	
170	3C001-28220	GEAR	1			1.056	24T
180	3C001-28810	BEARING BALL	1			0.165	
190	3C211-28012	COLLAR	1			0.077	
200	3C001-28810	BEARING BALL	1			0.165	
210	3C001-28232	GEAR	1			1.507	29T
220	04611-00620	CIR CLIP INTERNAL	1			0.024	
230	08101-06908	BEARING BALL	1			0.242	
240	08101-06908	BEARING BALL	1			0.242	
250	3C001-28450	COUPLING	1			0.704	
260	3A152-28390	SHIFTER	1			0.517	
270	32430-21440	KEY SYNCHRONIZER	3		<=54144	0.008	
270	T1850-21440	KEY SYNCHRONIZER	3	>>	>=54145	0.004	

FIRST SHAFT

Ref	Part Number	Part Name	Qty	IC	S/N	Lbs	Remarks
280	38360-21780	SPRING	2			0.002	
290	3C001-28510	RING SYNCHRONIZER	2			0.11	
300	3C001-28240	GEAR	1			2.321	27T
310	3C001-28810	BEARING BALL	1			0.165	
320	3C001-28610	SHIM	1			0.013	1.5mm
320	3C001-28620	SHIM	1			0.015	1.7mm
320	3C001-28630	SHIM	1			0.017	1.9mm
320	3C001-28640	SHIM	1			0.017	2.1mm
330	08101-06306	BEARING BALL	1			0.737	
340	33740-27292	CIR CLIP EXTERNAL	1			0.015	

SECOND SHAFT

Figure Num 01D22702



SECOND SHAFT

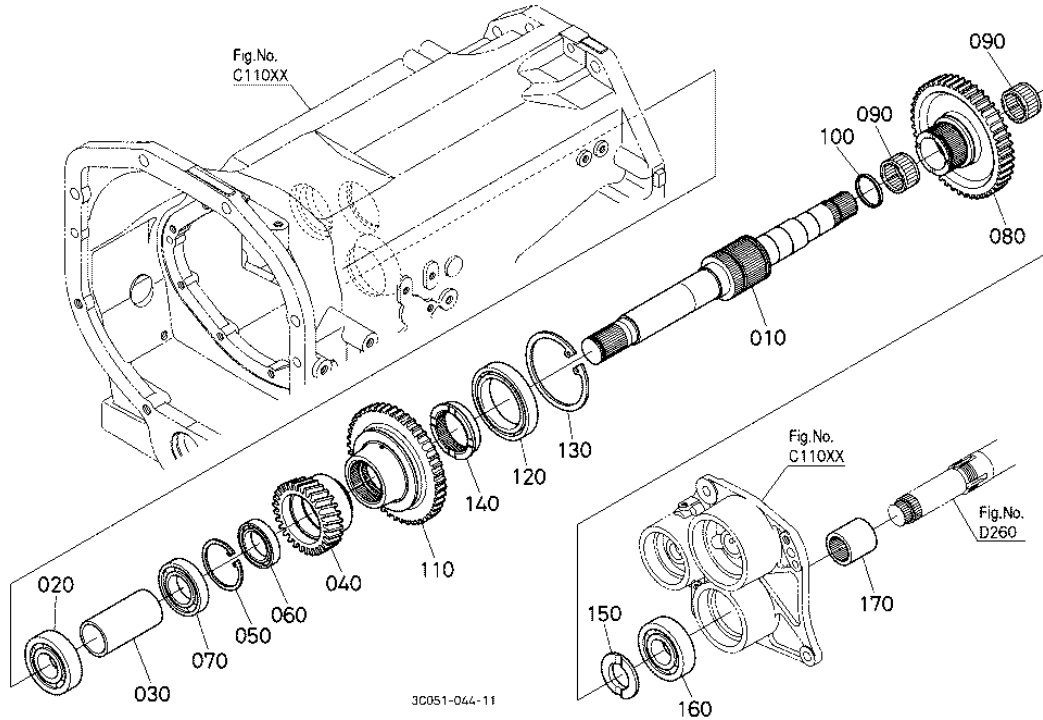
Ref	Part Number	Part Name	Qty	IC	S/N	Lbs	Remarks
010	3C001-28110	GEAR-SHAFT	1			4.62	14T
020	35831-43380	BEARING BALL	1			1.32	
030	3C001-28260	GEAR	1			4.092	46T
040	3C001-28270	GEAR	1			3.212	41T
050	3C001-28282	GEAR	1	>>	>=54047	2.827	37T
050	3C001-28280	GEAR	1		<=54046	2.827	37T
060	3C001-28290	GEAR	1			1.914	29T

SECOND SHAFT

Ref	Part Number	Part Name	Qty	IC	S/N	Lbs	Remarks
070	35831-43380	BEARING BALL	1			1.32	

THIRD SHAFT

Figure Num 01D235



THIRD SHAFT

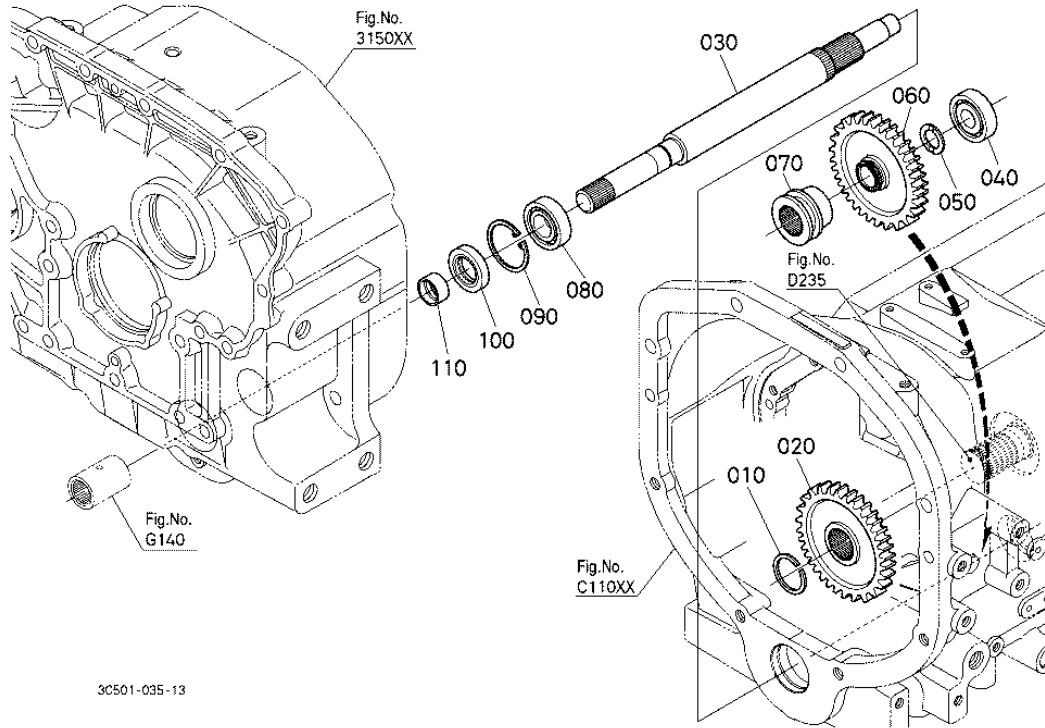
Ref	Part Number	Part Name	Qty	IC	S/N	Lbs	Remarks
010	3C001-28162	SHAFT	1	>>	>=51924	9.9	
010	3C001-28160	SHAFT	1		<=51923	0	
020	TD030-12540	BEARING BALL	1			0.99	
030	3C001-28170	COLLAR	1			0.99	
040	3C001-30200	GEAR	1			2.541	30T
050	04611-00620	CIR CLIP INTERNAL	1			0.024	
060	08101-06908	BEARING BALL	1			0.242	

THIRD SHAFT

Ref	Part Number	Part Name	Qty	IC	S/N	Lbs	Remarks
070	TC220-22160	BEARING BALL	1			0.418	
080	3C001-31232	GEAR	1			5.17	44-21T
090	3A152-31220	BEARING NEEDLE	2			0.081	
100	3C001-24780	COLLAR	1			0.017	
110	3C001-31240	GEAR	1			5.72	44T
120	08101-06914	BEARING BALL	1			0.765	
130	04611-01000	CIR CLIP INTERNAL	1			0.092	
140	3C001-31362	COUPLING	1			0.363	
150	36280-41150	WASHER THRUST	1			0.088	
160	TD030-12540	BEARING BALL	1			0.99	
170	3C001-32010	COUPLING	1			0.484	

DRIVE SHAFT (REAR)

Figure Num 01D253



3C501-035-13

DRIVE SHAFT (REAR)

Ref	Part Number	Part Name	Qty	IC	S/N	Lbs	Remarks
010	33740-27292	CIR CLIP EXTERNAL	1			0.015	
020	3C011-41130	GEAR 4WD	1			2.343	34T
030	3C511-41312	SHAFT PROPELLER	1	>>	>=54709	5.06	
030	3C511-41310	SHAFT PROPELLER	1		<=54708	5.06	ORDER BY REF.No.03
040	52200-15530	BEARING BALL	1			0.312	
050	31391-14330	COLLAR THRUST	1			0.015	
060	3C011-41232	GEAR 4WD	1			2.112	33T

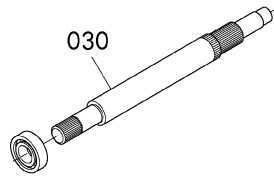
DRIVE SHAFT (REAR)

Ref	Part Number	Part Name	Qty	IC	S/N	Lbs	Remarks
070	3C011-41480	SHIFTER	1			0.561	
080	08101-06205	BEARING BALL	1			0.002	
090	04611-00520	CIR CLIP INTERNAL	1			0.019	
100	3A021-41260	SEAL OIL	1			0.039	
110	3A021-41282	SLEEVE	1	>>	>=54342	0.055	
110	3A021-41280	SLEEVE	1		<=54341	0.055	ORDER BY REF.No.11

DRIVE SHAFT (REAR)

Figure Num 01D253

OLD PARTS



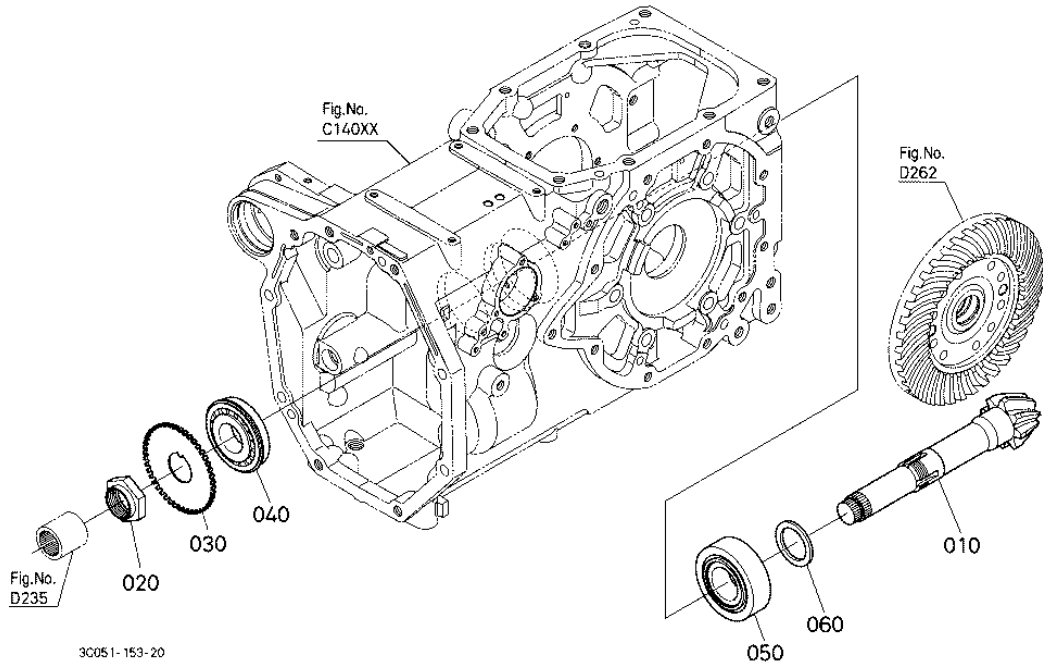
3C051-835-10

DRIVE SHAFT (REAR)

Ref	Part Number	Part Name	Qty	IC	S/N	Lbs	Remarks
030	3C511-41312	SHAFT PROPELLER	1	>>	>=54709	5.06	
030	3C511-41310	SHAFT PROPELLER	1		<=54708	5.06	ORDER BY REF.No.03

BEVEL GEAR

Figure Num 01D260



BEVEL GEAR

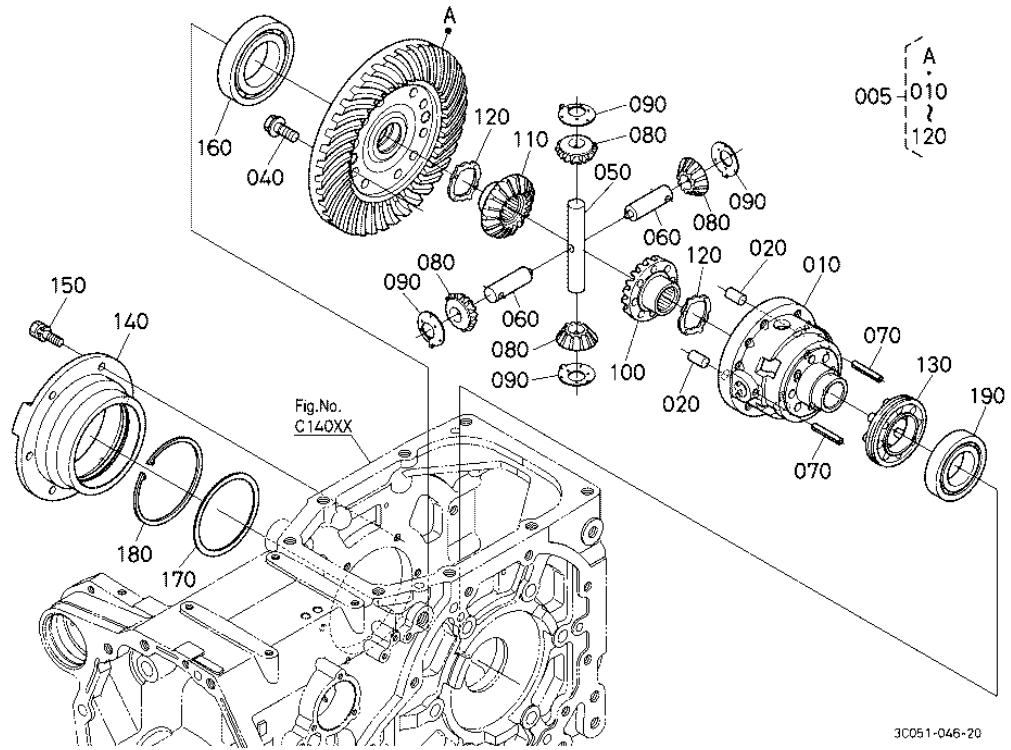
Ref	Part Number	Part Name	Qty	IC	S/N	Lbs	Remarks
010	3C041-32410	SHAFT BEVEL GEAR	1			6.82	9T
020	3C001-32580	NUT	1			0.264	
030	3C001-32450	ROTOR SENSOR	1			0.308	
040	3A211-32590	BEARING TAPER-ROLLER	1			1.672	
050	08711-30309	BEARING TAPER-ROLLER	1			2.173	
060	36200-32690	COLLAR PINION ADJUST	1			0.068	3.6mm
060	36200-32670	COLLAR PINION ADJUST	1			0.063	3.4mm

BEVEL GEAR

Ref	Part Number	Part Name	Qty	IC	S/N	Lbs	Remarks
060	36200-32650	COLLAR PINION ADJUST	1			0.059	3.2mm
060	36200-32630	COLLAR PINION ADJUST	1			0.055	3.0mm
060	36200-32610	COLLAR PINION ADJUST	1			0.050	2.8mm

DIFFERENTIAL REAR

Figure Num 01D262



DIFFERENTIAL REAR

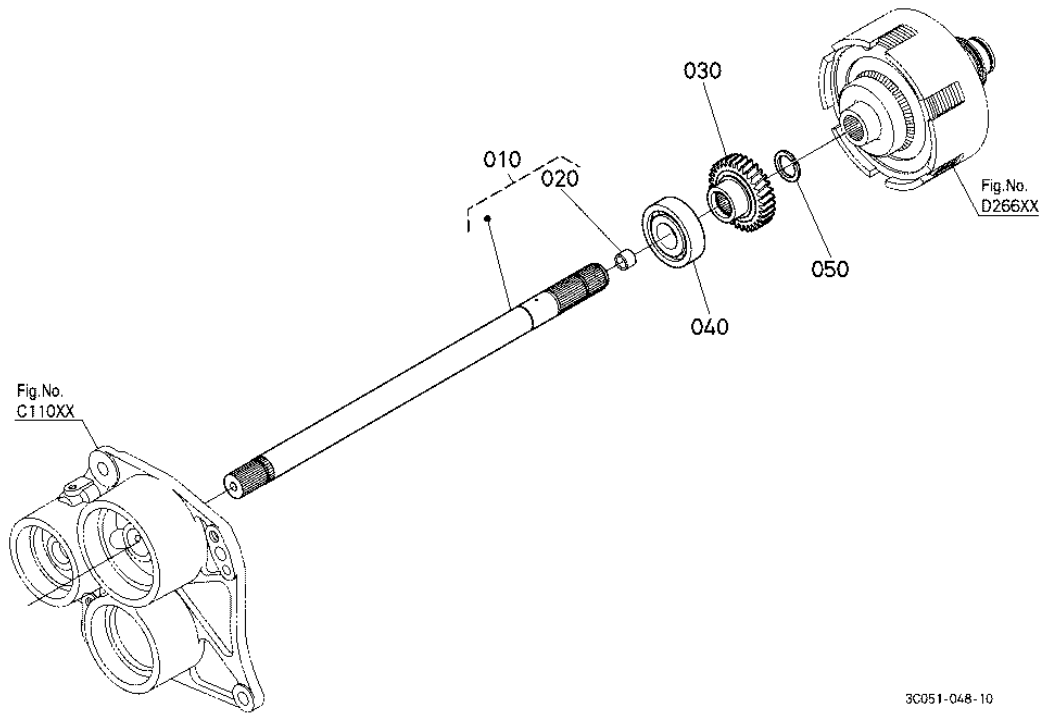
Ref	Part Number	Part Name	Qty	IC	S/N	Lbs	Remarks
005	3C001-32200	ASSY DIFFERENTIAL	1			30.14	39T
010	3C001-32710	CASE DIFFERENTIAL	1			7.04	
020	3C081-32090	PIN DIFF.CASE	2			0.055	
040	01779-51230	BOLT UBS	10			0.099	
050	35430-26340	SHAFT DIFF.PINION	1			0.682	
060	3C001-32820	PIN DIFF.PINION	2			0.308	
070	05411-00836	PIN SPRING	2			0.017	

DIFFERENTIAL REAR

Ref	Part Number	Part Name	Qty	IC	S/N	Lbs	Remarks
080	3G700-32750	GEAR BEVEL	4			0.352	12T
090	3C001-32810	COLLAR THRUST	4			0.028	
100	3G700-32720	GEAR BEVEL	1			1.056	20T
110	3G700-32730	GEAR BEVEL	1			1.408	20T
120	3G700-32792	COLLAR THRUST	1			0.030	1.8mm
120	3G700-32742	COLLAR THRUST	1			0.030	1.5mm
120	3G700-32782	COLLAR THRUST	1			0.030	1.7mm
120	3G700-32802	COLLAR THRUST	1			0.026	2.0mm
120	3G700-32762	COLLAR THRUST	1			0.026	1.6mm
130	37300-26610	SHIFTER DIFF.LOCK	1			1.012	
140	3C001-32110	SUPPORT DIFF.RH	1			6.38	
150	01133-51035	BOLT	6			0.066	
160	08101-06212	BEARING BALL	1			1.716	
170	3C001-32130	SHIM	1			0.066	1.6mm
170	3C001-32140	SHIM	1			0.055	1.4mm
170	3C001-32150	SHIM	1			0.044	1.2mm
170	3C001-32160	SHIM	3		<=52419	0.002	0.1mm
170	3C001-32170	SHIM	1		>=52420	0	0.3mm
170	3C001-32180	SHIM	1		>=52420	0	1.0mm
180	3A294-24630	CIR-CLIP INTERNAL	1			0.154	
190	08101-06209	BEARING BALL	1			0.924	

PTO PROPELLER SHAFT

Figure Num 01D26502

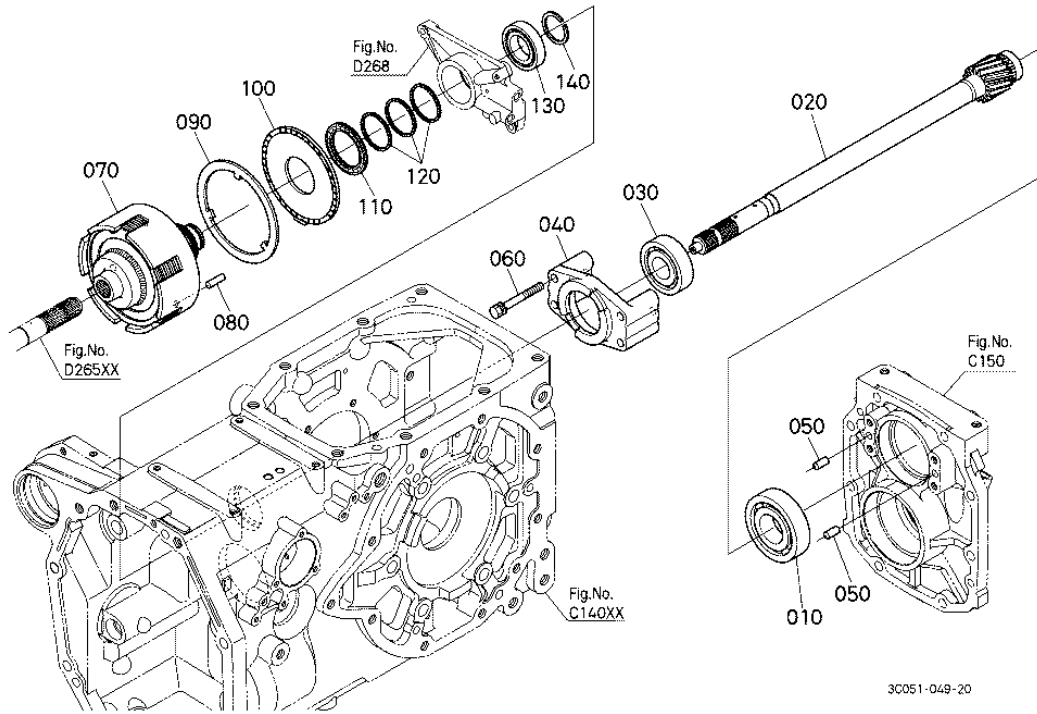


PTO PROPELLER SHAFT

Ref	Part Number	Part Name	Qty	IC	S/N	Lbs	Remarks
010	3C211-25700	ASSY SHAFT PROPELLER	1			3.256	
020	08511-01210	BUSH	1			0.011	
030	3C001-82260	GEAR	1			0.847	33T
040	T2050-23460	BEARING BALL	1			0.616	
050	38430-21550	CIR CLIP EXTERNAL	1			0.011	

PTO CLUTCH

Figure Num 01D26602



30051-049-20

PTO CLUTCH

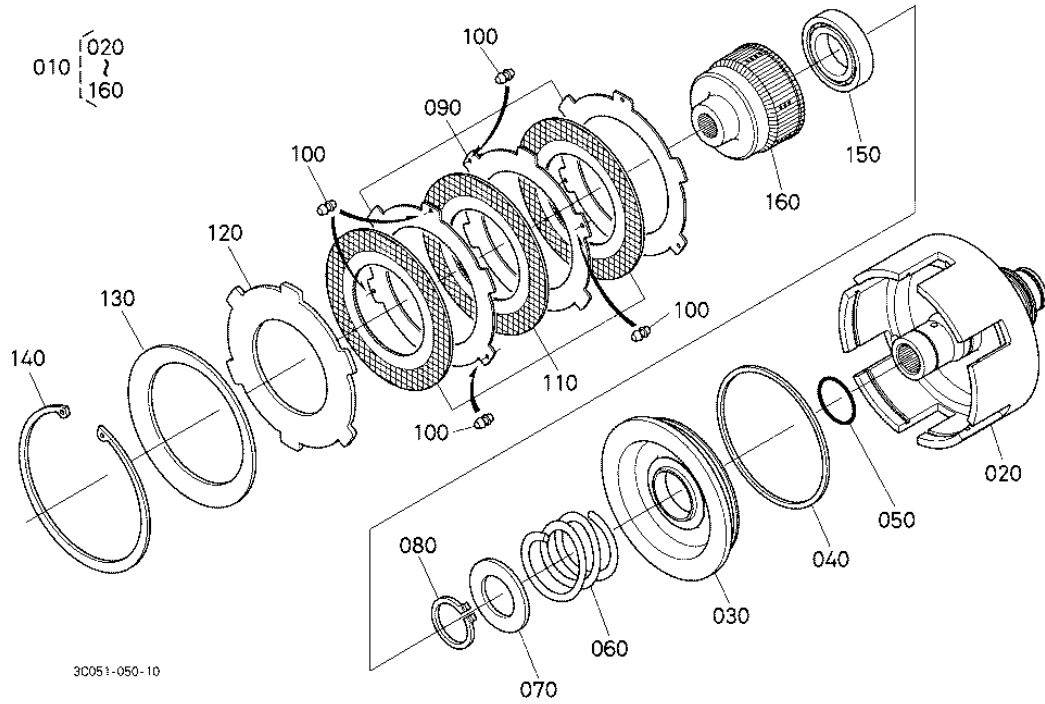
Ref	Part Number	Part Name	Qty	IC	S/N	Lbs	Remarks
010	35831-43380	BEARING BALL	1			1.32	
020	3C001-79133	GEAR-SHAFT PTO	1	>>	>=52791	6.38	13T
020	3C001-79130	GEAR-SHAFT PTO	1		<=52790	6.38	13T
030	08101-06306	BEARING BALL	1			0.737	
040	3C001-80210	HOLDER BEARING	1			2.827	
050	05012-01018	PIN STRAIGHT	2			0.026	
060	01133-51075	BOLT	4			0.066	

PTO CLUTCH

Ref	Part Number	Part Name	Qty	IC	S/N	Lbs	Remarks
070	3C001-27000	ASSY CLUTCH PTO	1			13.42	
080	3C081-27290	PIN STRAIGHT	3			0.044	
090	3C081-27370	PLATE BRAKE	1			0.319	
100	3C081-27380	DISK BRAKE	1			0.891	
110	TA040-69160	BEARING NEEDLE	1			0.063	
120	3G700-27372	RING SEAL	3			0.002	
130	08101-06007	BEARING BALL	1			0.352	
140	33740-27292	CIR CLIP EXTERNAL	1			0.015	

PTO CLUTCH [COMPONENT PARTS]

Figure Num 01D26702



PTO CLUTCH [COMPONENT PARTS]

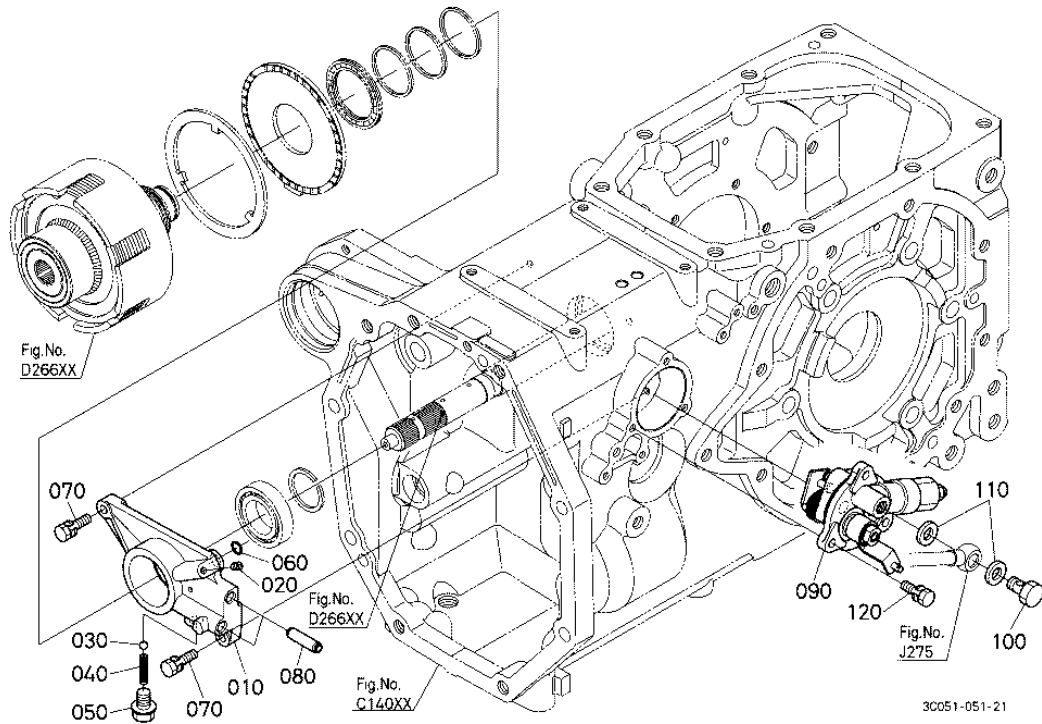
Ref	Part Number	Part Name	Qty	IC	S/N	Lbs	Remarks
010	3C001-27000	ASSY CLUTCH PTO	1			13.42	
020	3C001-27110	BODY PTO CLUTCH	1			6.6	
030	3C081-27120	PISTON PTO	1			2.123	
040	3A051-23120	D RING OUTER	1			0.013	
050	04816-06350	O RING	1			0.006	
060	3C081-27350	SPRING	1			0.352	
070	3C081-27280	COLLAR THRUST	1			0.094	

PTO CLUTCH [COMPONENT PARTS]

Ref	Part Number	Part Name	Qty	IC	S/N	Lbs	Remarks
080	04612-00350	CIR CLIP EXTERNAL	1			0.022	
090	3C081-27320	PLATE	3			0.231	2.0mm
100	3F250-61670	RUBBER	6			0.002	
110	3C081-27310	DISK CLUTCH	3			0.257	
120	3C081-27330	PLATE	1			0.638	4.0mm
130	3C081-27340	SPRING PLATE	1			0.33	
140	36530-27160	CIR CLIP INTERNAL	1			0.167	
140	3C001-27090	CIR CLIP INTERNAL	1	=		0.165	
150	08101-06007	BEARING BALL	1			0.352	
160	3C081-27170	HUB PTO CLUTCH	1			1.364	

PTO CLUTCH VALVE

Figure Num 01D268



PTO CLUTCH VALVE

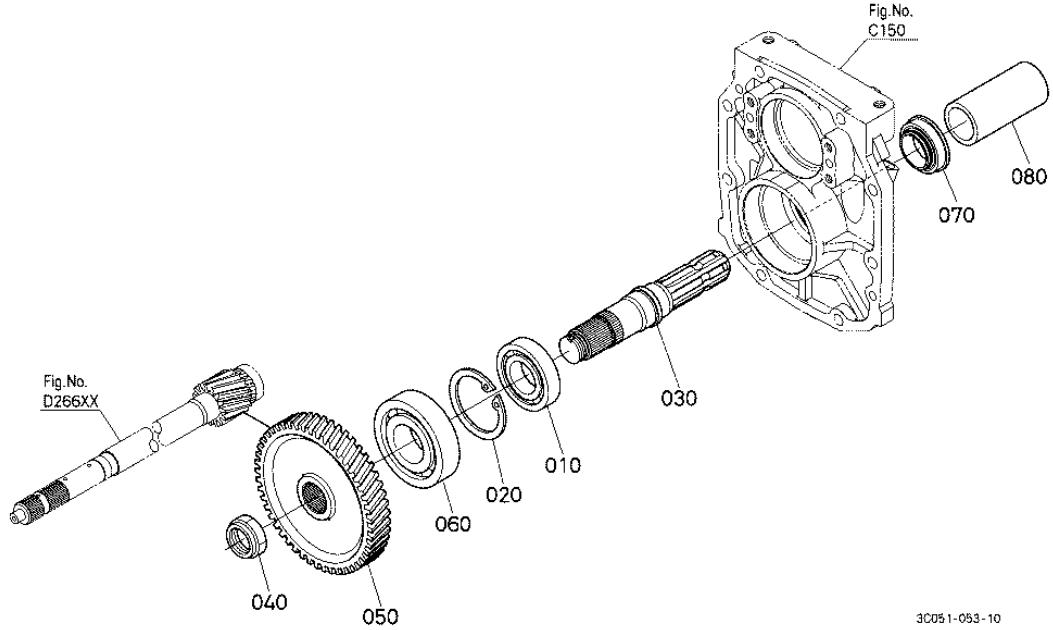
Ref	Part Number	Part Name	Qty	IC	S/N	Lbs	Remarks
010	3C001-27250	HOLDER PTO CLUTCH	1			2.728	
020	32420-67380	PLUG	1			0.011	
030	07715-03211	BALL	1			0.006	
040	32590-28220	SPRING	1			0.004	
050	3C081-29410	BOLT	1			0.066	
060	04816-00100	O RING	1			0.002	
070	01123-50830	BOLT	2			0.033	

PTO CLUTCH VALVE

Ref	Part Number	Part Name	Qty	IC	S/N	Lbs	Remarks
080	3C081-27360	PIPE HYDRAULIC	2			0.015	
090	3C001-27400	ASSY VALVE PTO	1			3.256	
100	34076-66590	BOLT JOINT	1			0.11	
110	04714-00200	GASKET	2			0.004	
120	01123-50825	BOLT	3			0.028	

PTO SHAFT

Figure Num 01D275



3C051-053-10

PTO SHAFT

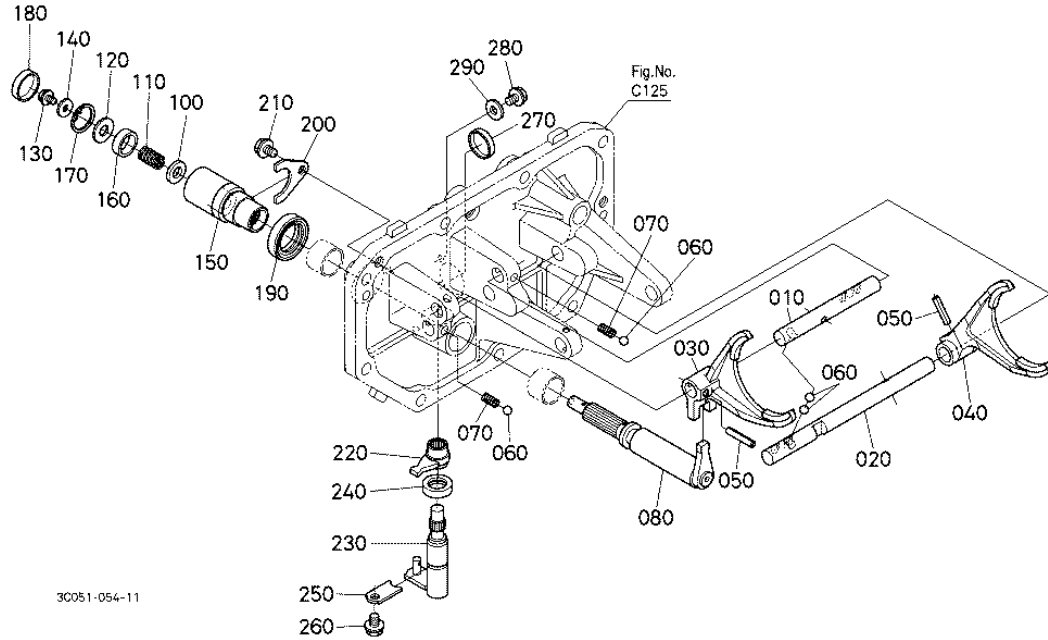
Ref	Part Number	Part Name	Qty	IC	S/N	Lbs	Remarks
010	TC210-26280	BEARING BALL	1			0.792	
020	04611-00800	CIR CLIP INTERNAL	1			0.044	
030	3C041-80140	SHAFT PTO	1			3.52	
040	34150-25320	NUT	1			0.066	
050	3C001-80313	GEAR PTO	1	>>		5.28	52T
050	3C001-80312	GEAR PTO	1			0	52T
060	08101-06309	BEARING BALL	1			1.804	

PTO SHAFT

Ref	Part Number	Part Name	Qty	IC	S/N	Lbs	Remarks
070	33740-80290	SEAL	1			0.165	
080	31220-25820	CAP	1			0.121	

MAIN GEAR SHIFT FORK

Figure Num 01D41002



MAIN GEAR SHIFT FORK

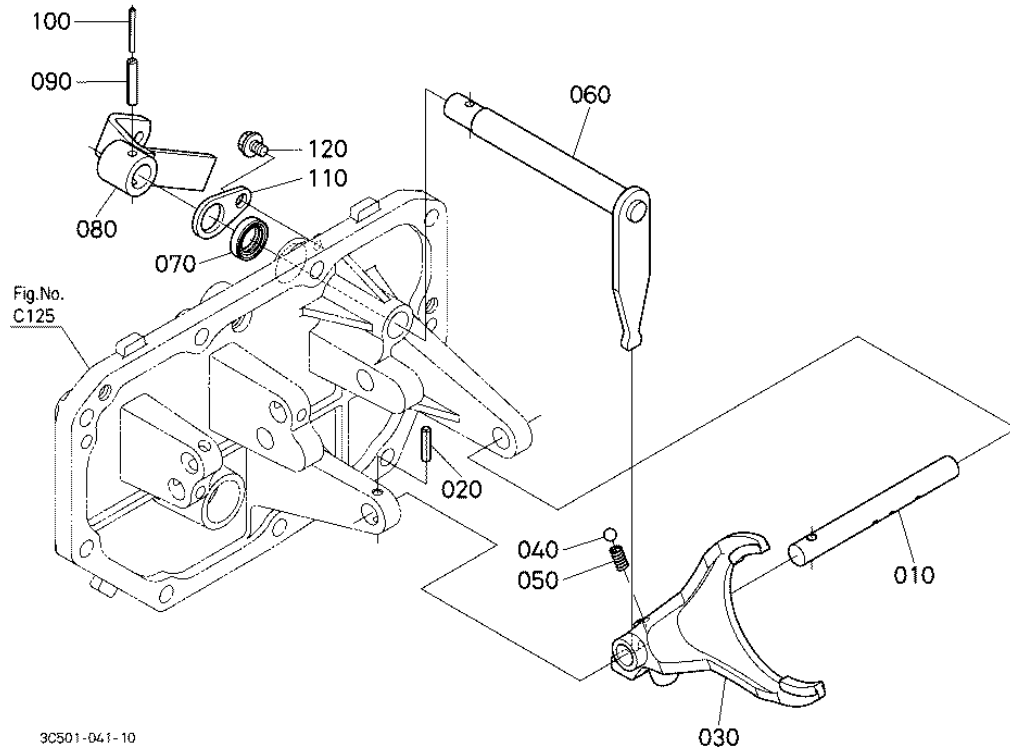
Ref	Part Number	Part Name	Qty	IC	S/N	Lbs	Remarks
010	3C001-29210	ROD FORK	1			0.44	
020	3C001-29220	ROD FORK	1			0.737	
030	3C001-29160	FORK MAIN SHIFT	1			0.594	
040	3C001-29140	FORK MAIN SHIFT	1			0.737	
050	05411-00628	PIN SPRING	2			0.013	
060	07715-03211	BALL	4			0.006	
070	3A152-29420	SPRING	2			0.008	

MAIN GEAR SHIFT FORK

Ref	Part Number	Part Name	Qty	IC	S/N	Lbs	Remarks
080	3C001-29840	ARM MAIN SHIFT	1			1.309	
100	15121-03540	WASHER PLAIN	1			0.015	
110	3C081-30360	SPRING SELECT	1			0.008	
120	3C081-30370	WASHER	1			0.015	
130	01754-50610	BOLT FLANGE	1			0.013	
140	T0430-47670	WASHER POSITION	1			0.004	
150	3C001-30234	LEVER MAIN SHIFT	1			0.77	
160	1G730-37090	COLLAR	1			0.044	
170	04611-00280	CIR CLIP INTERNAL	1			0.004	
180	E9151-96010	PLUG	1			0.022	
190	3C081-30410	SEAL OIL	1			0.033	
200	3C081-30380	STOPPER MAIN S-CHAN.	1			0.044	
210	01754-50812	BOLT FLANGE	1			0.022	
220	3C081-30240	ARM SELECT	1			0.099	
230	3C081-30250	LEVER SELECT	1			0.484	
240	52200-15670	SEAL OIL	1			0.011	
250	34150-24350	STOPPER LEVER	1			0.022	
260	01754-50812	BOLT FLANGE	1			0.022	
270	E9151-96010	PLUG	1			0.022	
280	01754-50812	BOLT FLANGE	2			0.022	
290	04013-60080	WASHER PLAIN	2			0.004	

RANGE GEAR SHIFT FORK

Figure Num 01D430



RANGE GEAR SHIFT FORK

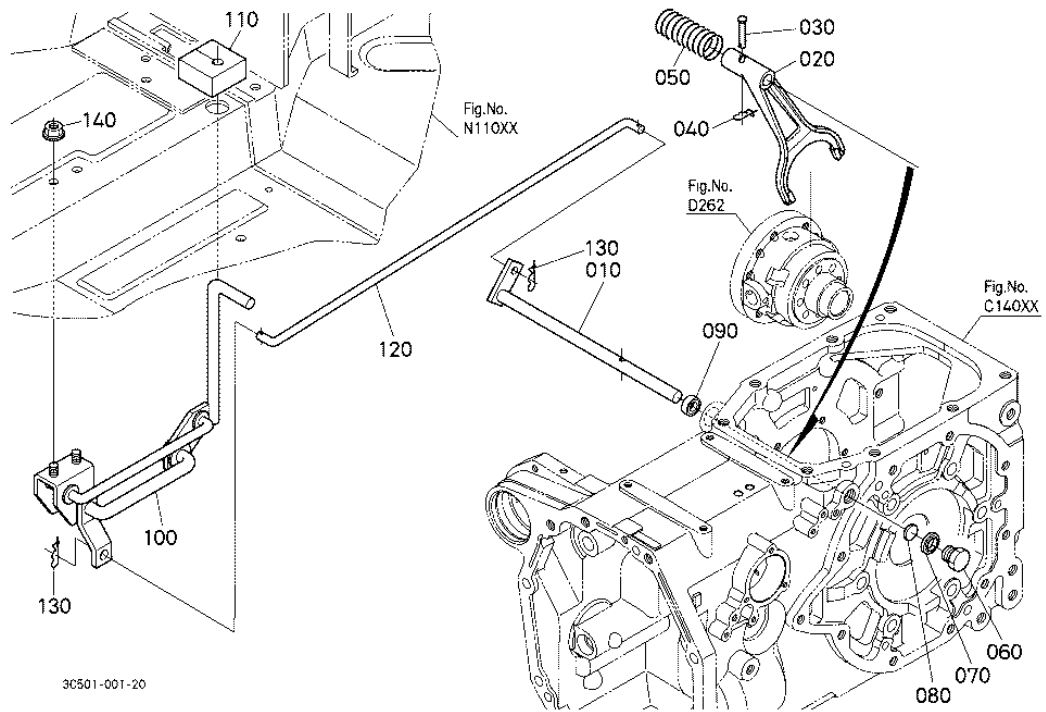
Ref	Part Number	Part Name	Qty	IC	S/N	Lbs	Remarks
010	3C001-29860	ROD FORK	1			0.495	
020	05411-00628	PIN SPRING	1			0.013	
030	3C001-29870	FORK RANGE SHIFT	1			1.518	
040	07715-03211	BALL	1			0.006	
050	3A152-29420	SPRING	1			0.008	
060	3C001-30053	ARM RANGE SHIFT	1	>>	>=51924	1.21	
060	3C001-30050	ARM RANGE SHIFT	1		<=51923	1.21	

RANGE GEAR SHIFT FORK

Ref	Part Number	Part Name	Qty	IC	S/N	Lbs	Remarks
070	52200-15670	SEAL OIL	1			0.011	
080	3C501-29853	LEVER RANGE SHIFT	1	>>	>=52639	0.88	
080	3C501-29852	LEVER RANGE SHIFT	1		<=52638	0.88	
090	05411-00635	PIN SPRING	1			0.011	
100	30442-15310	PIN SPRING	1			0.011	
110	34070-24350	STOPPER	1			0.044	
120	01754-50812	BOLT FLANGE	1			0.022	

REAR DIFFERENTIAL LOCK SHIFT FORK

Figure Num 01D470



REAR DIFFERENTIAL LOCK SHIFT FORK

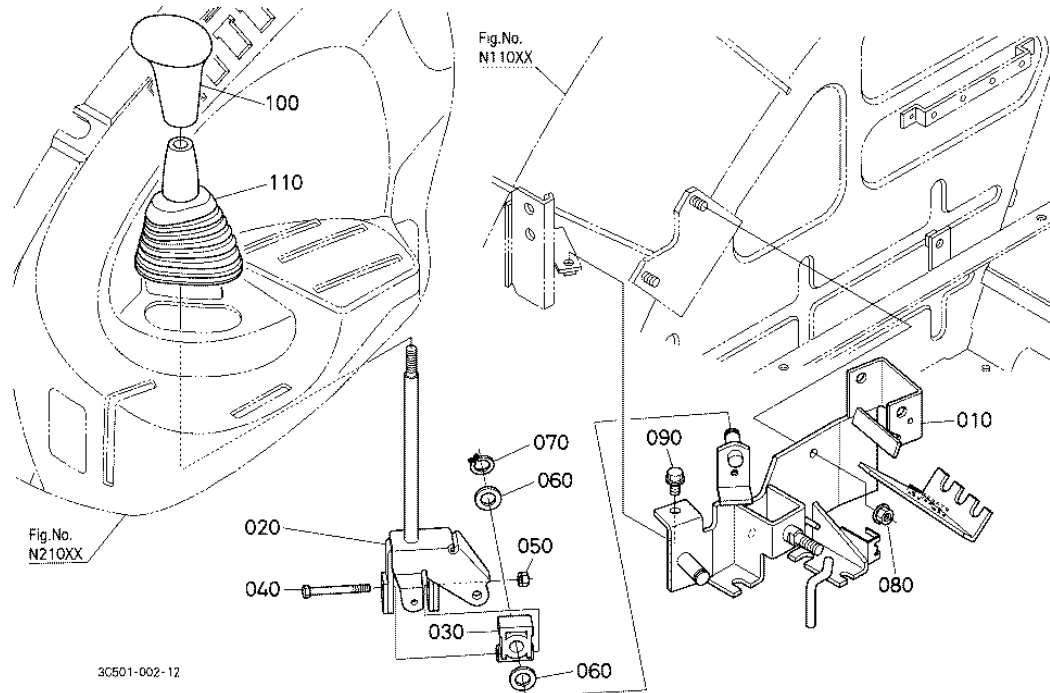
Ref	Part Number	Part Name	Qty	IC	S/N	Lbs	Remarks
010	3C001-32942	SHAFT LEVER	1			1.221	
020	3C001-32882	FORK DIFF.LOCK	1			1.287	
030	31351-26620	PIN JOINT	1			0.017	
040	50080-34110	PIN SNAP	1			0.002	
050	32530-26640	SPRING	1			0.198	
060	06331-35020	PLUG	1			0.149	
070	04717-02000	WASHER WITH RUBBER	1			0.008	

REAR DIFFERENTIAL LOCK SHIFT FORK

Ref	Part Number	Part Name	Qty	IC	S/N	Lbs	Remarks
080	36330-32970	SHIM ADJUSTING	1			0.002	0.5mm
080	36200-32950	SHIM ADJUSTING	1			0.004	1.0mm
090	09500-16287	SEAL OIL	1			0.022	
100	3C581-33010	PEDAL DIFF.LOCK	1			1.98	
110	3C581-32980	COVER DIFF.LOCK	1			0.004	
120	3C501-33060	ROD DIFF.LOCK	1			0.902	
130	52300-34130	PIN SNAP	2			0.008	
140	02751-50080	NUT FLANGE	2			0.013	

MAIN GEAR SHIFT LEVER

Figure Num 01F11001



MAIN GEAR SHIFT LEVER

Ref	Part Number	Part Name	Qty	IC	S/N	Lbs	Remarks
010	3C501-29726	BRACKET SHIFT LEVER	1	>>	>=51190	5.28	
010	3C501-29724	BRACKET SHIFT LEVER	1		<=51189	5.28	
020	3C581-29583	LEVER MAIN SHIFT	1	>>	>=54144	1.364	
020	3C581-29580	LEVER MAIN SHIFT	1		<=54143	1.364	
030	3C081-29370	HOLDER	1	>>	>=52300	0.055	
030	T2050-24770	HOLDER	1		<=52299	0.055	
040	3C081-29380	BOLT MAIN SPEED CHA.	1			0.033	

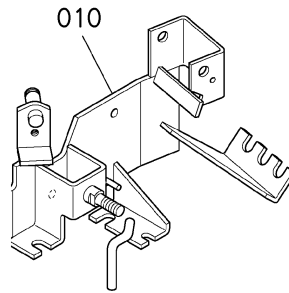
MAIN GEAR SHIFT LEVER

Ref	Part Number	Part Name	Qty	IC	S/N	Lbs	Remarks
050	02056-50060	NUT	1			0.004	
060	04011-60160	WASHER PLAIN	2			0.022	
070	04612-00160	CIR CLIP EXTERNAL	1			0.002	
080	02763-50080	NUT FLANGE	2			0.013	
090	01754-50820	BOLT FLANGE	1			0.033	
100	TA040-49820	GRIP LEVER	1			0.255	
110	3C081-29630	BOOT	1			0.176	

MAIN GEAR SHIFT LEVER

Figure Num 01F11001

OLD PARTS



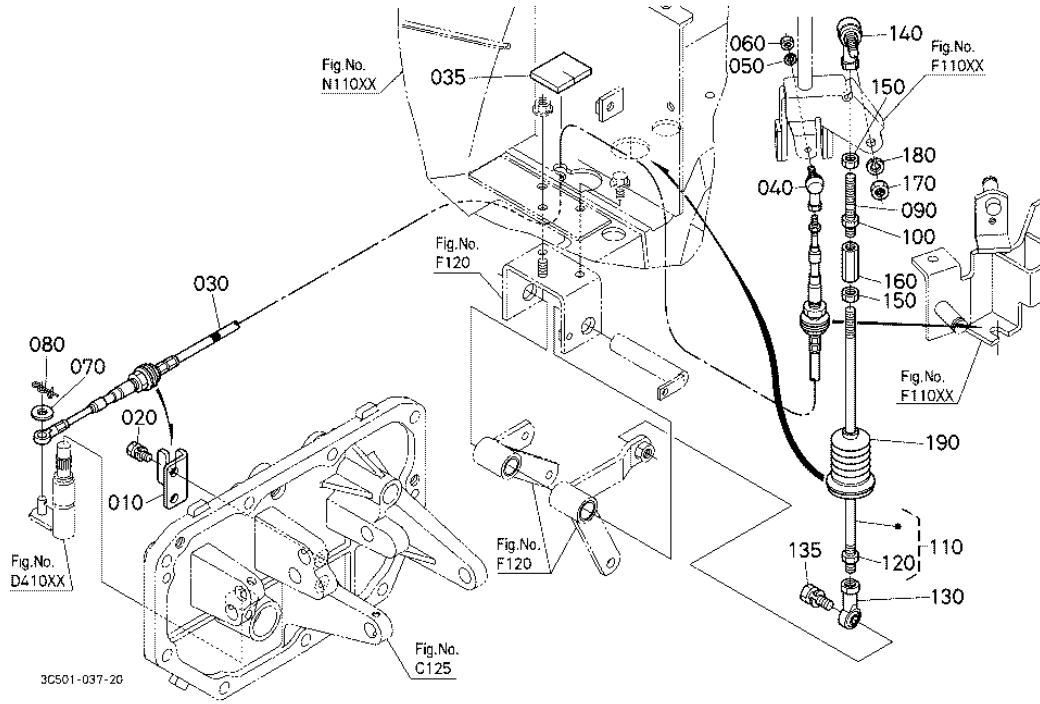
3C501-813-10

MAIN GEAR SHIFT LEVER

Ref	Part Number	Part Name	Qty	IC	S/N	Lbs	Remarks
010	3C501-29726	BRACKET SHIFT LEVER	1	>>	>=51190	5.28	
010	3C501-29724	BRACKET SHIFT LEVER	1		<=51189	5.28	

MAIN GEAR SHIFT ROD

Figure Num 01F115



MAIN GEAR SHIFT ROD

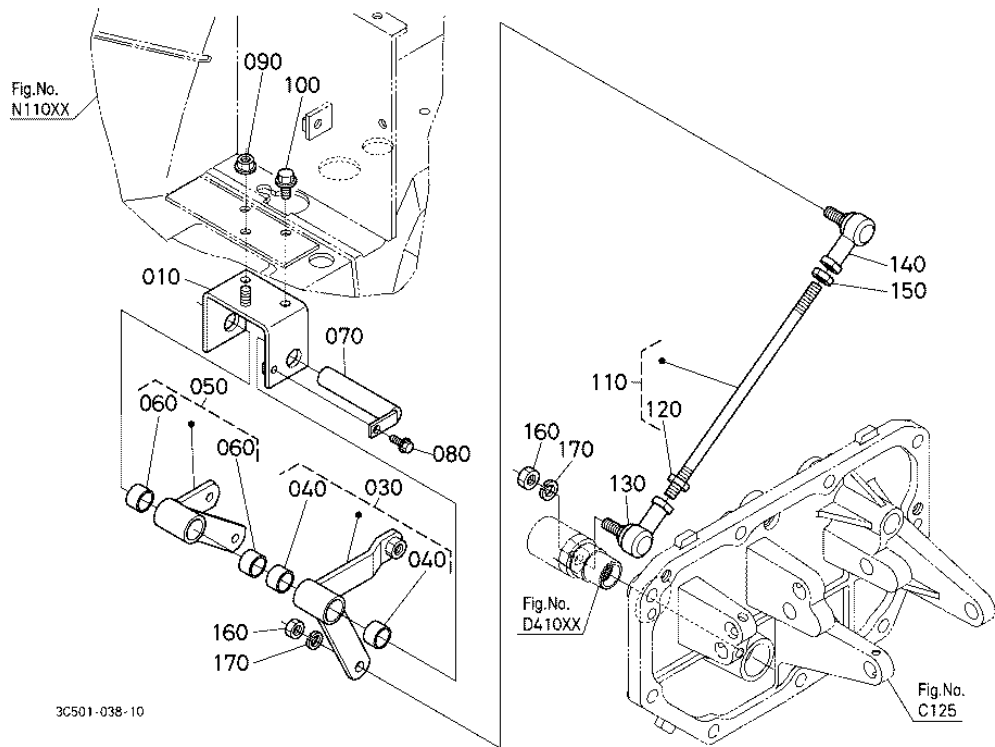
Ref	Part Number	Part Name	Qty	IC	S/N	Lbs	Remarks
010	3C001-29780	BRACKET M.WIRE	1			0.198	
020	01123-60816	BOLT	2			0.022	
030	3C581-29770	WIRE SELECT	1			0.572	
035	3C581-30040	SPONGE	1			0.004	
040	3A851-82970	END ROD	1			0.026	
050	04512-60050	WASHER SPRING	1			0.004	
060	02054-50050	NUT	1			0.004	

MAIN GEAR SHIFT ROD

Ref	Part Number	Part Name	Qty	IC	S/N	Lbs	Remarks
070	04013-60060	WASHER PLAIN	1			0.002	
080	05525-60600	PIN SNAP	1			0.002	
090	3A751-29990	ROD SHIFT	1			0.066	
100	02112-50100	NUT	1			0.008	
110	3C581-30082	ASSY ROD MAIN	1			0.341	
120	02112-50100	NUT	1			0.008	
130	33740-29500	END ROD LH	1			0.154	
135	01133-51030	BOLT	1			0.055	
140	3F740-29810	ENS ROD RH	1			0.200	
150	68731-65240	NUT	2			0.022	
160	3A751-30040	TURNBUCKLE	1			0.176	
170	02112-50100	NUT	1			0.008	
180	04512-60100	WASHER SPRING	1			0.004	
190	3A751-30010	BOOT	1			0.050	

MAIN GEAR SHIFT LEVER SHAFT

Figure Num 01F120



MAIN GEAR SHIFT LEVER SHAFT

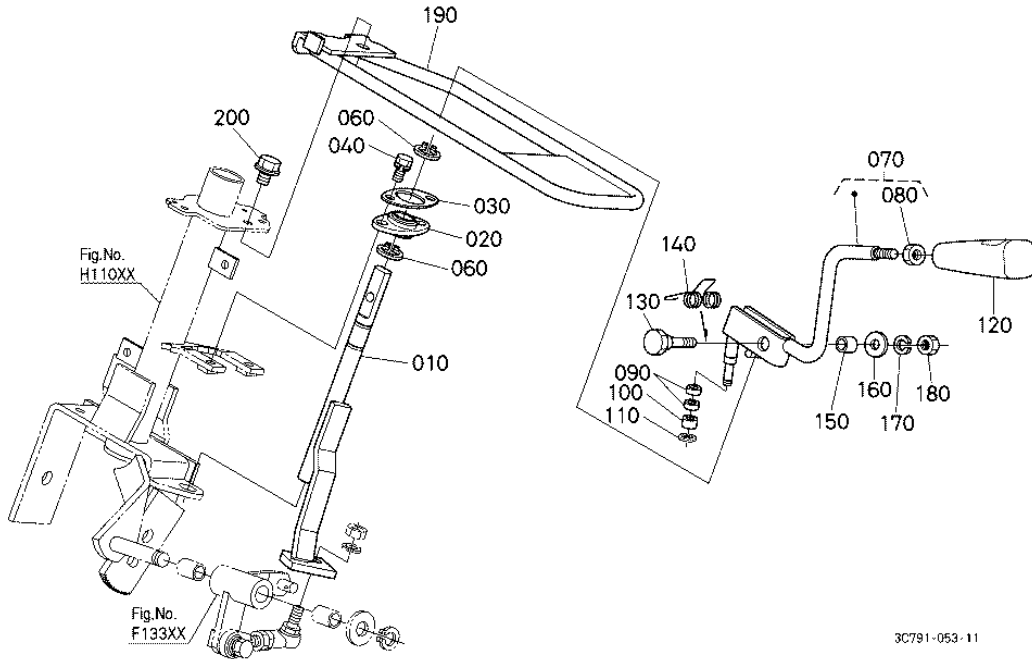
Ref	Part Number	Part Name	Qty	IC	S/N	Lbs	Remarks
010	3C581-29830	BRACKET LINK	1			0.77	
030	3C581-29933	ASSY LEVER M.SHIFT	1			0.682	
040	08511-01812	BUSH	2			0.011	
050	3C501-29980	ASSY LEVER LINK	1			0.506	
060	08511-01812	BUSH	2			0.011	
070	3C581-29940	SHAFT LINK	1			0.396	
080	01754-50616	BOLT FLANGE	1			0.013	

MAIN GEAR SHIFT LEVER SHAFT

Ref	Part Number	Part Name	Qty	IC	S/N	Lbs	Remarks
090	02751-50080	NUT FLANGE	1			0.013	
100	01754-50816	BOLT FLANGE	2			0.024	
110	3C501-30090	ASSY ROD MAIN	1			0.272	
120	02116-50100	NUT	1			0.008	
130	52300-75170	BALL LINK	1			0.22	
140	52300-75190	BALL LINK	1			0.253	
150	55311-31550	NUT	1			0.015	
160	02112-50100	NUT	2			0.008	
170	04512-60100	WASHER SPRING	2			0.004	

SHUTTLE SHIFT LEVER

Figure Num 01F12502



SHUTTLE SHIFT LEVER

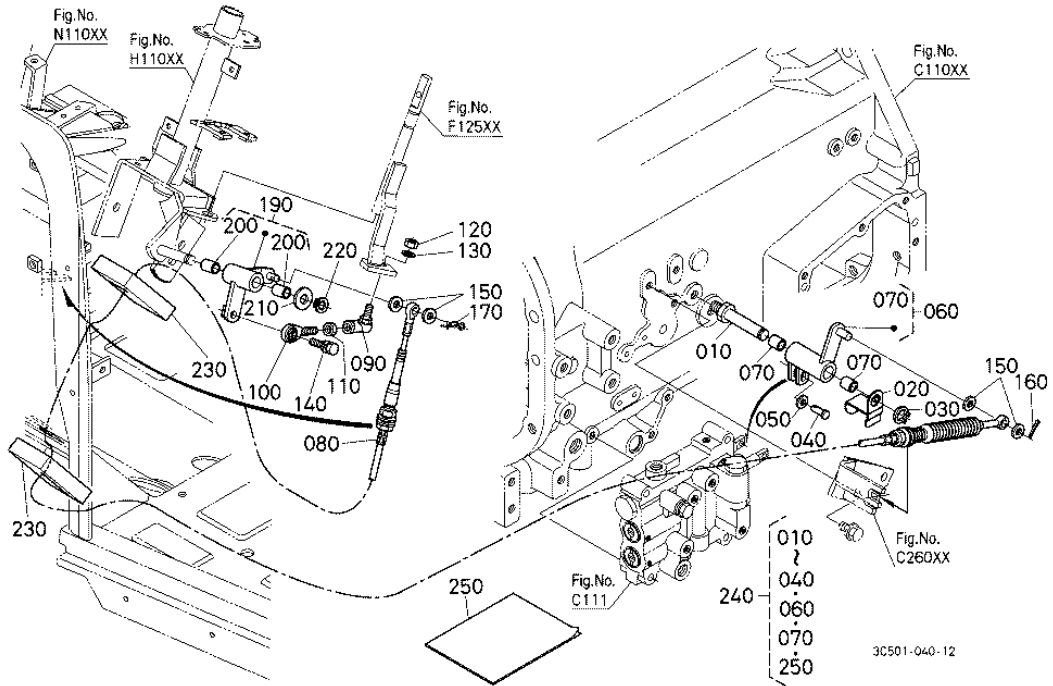
Ref	Part Number	Part Name	Qty	IC	S/N	Lbs	Remarks
010	3C791-43540	SHAFT SHUTTLE	1			0.891	
020	TA040-43870	BEARING FLANGE	1			0.044	
030	3C081-34450	PLATE BEARING	1			0.044	
040	01023-50618	BOLT	2			0.013	
060	04612-00150	CIR CLIP EXTERNAL	2			0.002	
070	3C791-34443	LEVER SHUTTLE	1		<=50512	0.682	
070	3C791-34444	LEVER SHUTTLE	1	>>	>=50513	0.682	

SHUTTLE SHIFT LEVER

Ref	Part Number	Part Name	Qty	IC	S/N	Lbs	Remarks
080	30400-15210	NUT	1			0.011	
090	3F270-34710	BEARING BALL	2			0.002	
100	3A051-34540	COLLAR SHUTTLE	1			0.011	
110	04613-50040	CIR CLIP EXTERNAL	1	NI	>=50513	0.002	
110	04613-50050	CIR CLIP EXTERNAL	1		<=50512	0.002	
120	3G710-34850	GRIP LEVER	1			1.32	
130	TA040-43970	BOLT REAMER	1			0.092	
140	3A211-34562	SPRING	1			0.022	
150	TA040-43920	COLLAR SHUTTLE	1			0.011	
160	04013-60080	WASHER PLAIN	1			0.004	
170	04512-60080	WASHER SPRING	1			0.004	
180	02114-50080	NUT	1			0.011	
190	3C791-34522	GUARD SHATTLE LEVER	1		<=51000	0	
190	3C791-34523	GUARD SHATTLE LEVER	1	>>	>=51001	1.056	
200	01754-50812	BOLT FLANGE	1			0.022	

SHUTTLE CABLE

Figure Num 01F13302



SHUTTLE CABLE

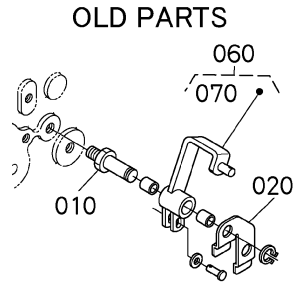
Ref	Part Number	Part Name	Qty	IC	S/N	Lbs	Remarks
010	3C291-33130	PIN	1	NI	>=52420	0.226	
010	3C291-33120	PIN	1		<=52419	0.154	
020	3C291-34580	PLATE SHUTTLE VALVE	1		<=52419	0.055	
020	3C291-34582	PLATE SHUTTLE VALVE	1	NI	>=52420	0.055	
030	04612-00140	CIR CLIP EXTERNAL	1			0.002	
040	3A051-26820	PIN JOINT	1			0.013	
050	04013-60060	WASHER PLAIN	1			0.002	

SHUTTLE CABLE

Ref	Part Number	Part Name	Qty	IC	S/N	Lbs	Remarks
060	3C291-34600	ASSY LEVER SHUTTLE	1		<=52419	0.374	
060	3C291-34603	ASSY LEVER SHUTTLE	1	NI	>=52420	0.374	
070	08511-01412	BUSH	2			0.008	
080	3C791-34592	CABLE SHUTTLE	1			0.638	
090	45404-95770	END ROD	1			0.22	
100	31351-24310	SCREW ROD-END RH	1			0.077	
110	02112-50080	NUT	1			0.006	
120	02156-50080	NUT	1			0.008	
130	04512-60080	WASHER SPRING	1			0.004	
140	01123-50825	BOLT	1			0.028	
150	04013-60080	WASHER PLAIN	4			0.004	
160	05511-50215	PIN SPLIT	1			0.002	
170	52300-34120	PIN SNAP	1			0.002	
190	3C791-34800	ASSY LEVER SHUTTLE	1		<=50512	0.341	
190	3C791-34804	ASSY LEVER SHUTTLE	1	>>	>=50513	0.341	
200	08511-01215	BUSH	2			0.011	
210	04013-60120	WASHER PLAIN	1		<=52790	0.022	
210	04011-50120	WASHER PLAIN	1	>>	>=52791	0.011	
220	04612-00120	CIR CLIP EXTERNAL	1			0.002	
230	3C581-54393	GROMMET	1		<=50512	0.006	
230	3C581-54394	SPONGE	2	>>	>=50513	0.006	
240	3C291-97030	KIT LEVER SHUTTLE	1		<=52419	0.77	
250	99999-99999	MANUAL INSTRUCTION	1		<=52419	0	

SHUTTLE CABLE

Figure Num 01F13302



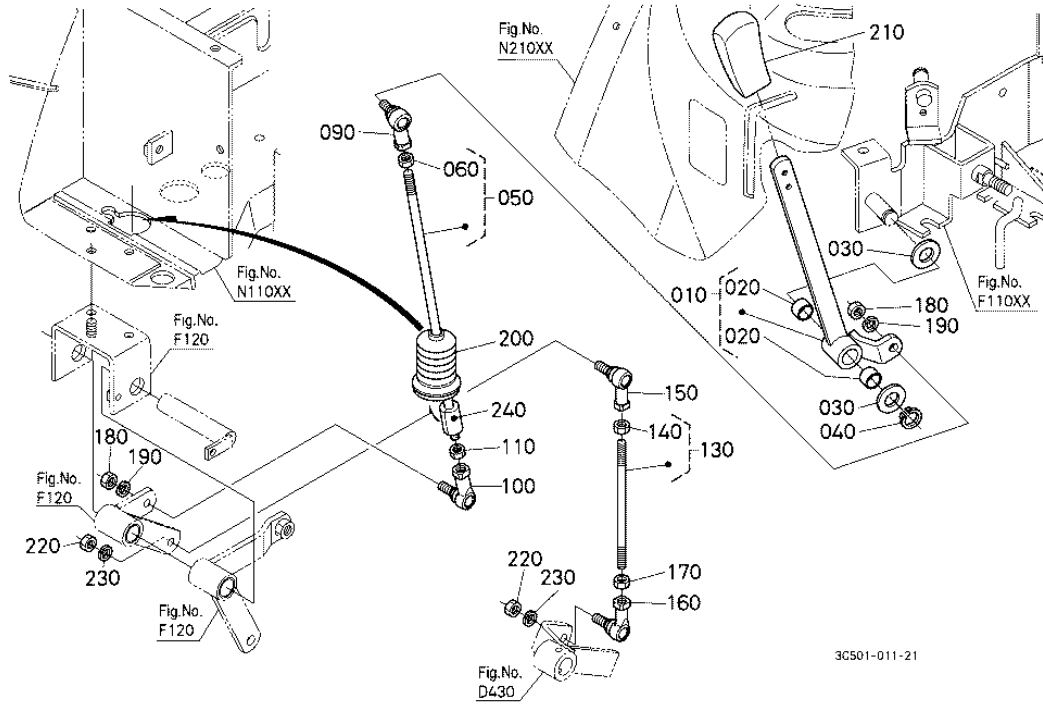
3C501-834-10

SHUTTLE CABLE

Ref	Part Number	Part Name	Qty	IC	S/N	Lbs	Remarks
010	3C291-33130	PIN	1	NI	>=52420	0.226	
010	3C291-33120	PIN	1		<=52419	0.154	
020	3C291-34582	PLATE SHUTTLE VALVE	1	NI	>=52420	0.055	
020	3C291-34580	PLATE SHUTTLE VALVE	1		<=52419	0.055	
060	3C291-34603	ASSY LEVER SHUTTLE	1	NI	>=52420	0.374	
060	3C291-34600	ASSY LEVER SHUTTLE	1		<=52419	0.374	
070	08511-01412	BUSH	2			0.008	

RANGE GEAR SHIFT LEVER

Figure Num 01F135



RANGE GEAR SHIFT LEVER

Ref	Part Number	Part Name	Qty	IC	S/N	Lbs	Remarks
010	3C581-29960	LEVER RANGE SHIFT	1			0.748	
020	08511-01612	BUSH	2			0.011	
030	04011-60160	WASHER PLAIN	2			0.022	
040	04612-00160	CIR CLIP EXTERNAL	1			0.002	
050	3C581-29890	ASSY ROD RANGE	1		<=53532	0.209	ORDER BY REF.No.05
050	3C581-29892	ASSY ROD RANGE	1	NI	>=53533	0.275	
060	02112-50080	NUT	1			0.006	

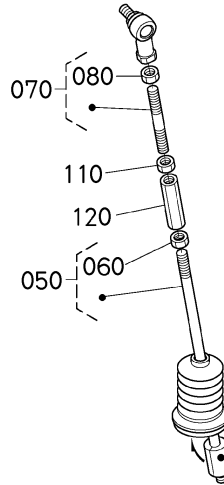
RANGE GEAR SHIFT LEVER

Ref	Part Number	Part Name	Qty	IC	S/N	Lbs	Remarks
090	45404-95770	END ROD	1			0.22	
100	54721-31850	BALL LINK	1			0.143	
110	31351-24260	NUT	1		>=53533	0.011	
110	31351-24260	NUT	2		<=53532	0.011	
130	3C501-29800	ASSY ROD RANGE	1			0.121	
140	02112-50080	NUT	1			0.006	
150	45404-95770	END ROD	1			0.22	
160	54721-31850	BALL LINK	1			0.143	
170	31351-24260	NUT	1			0.011	
180	02112-50080	NUT	2			0.006	
190	04512-60080	WASHER SPRING	2			0.004	
200	3A751-30010	BOOT	1			0.050	
210	6A700-18352	GRIP	1			0.114	
220	02112-50080	NUT	2			0.006	
230	04512-60080	WASHER SPRING	2			0.004	
240	3C581-74990	ABSORBER ROD	1		>=51001	0.002	

RANGE GEAR SHIFT LEVER

Figure Num 01F135

OLD PARTS



3C551-813-10

RANGE GEAR SHIFT LEVER

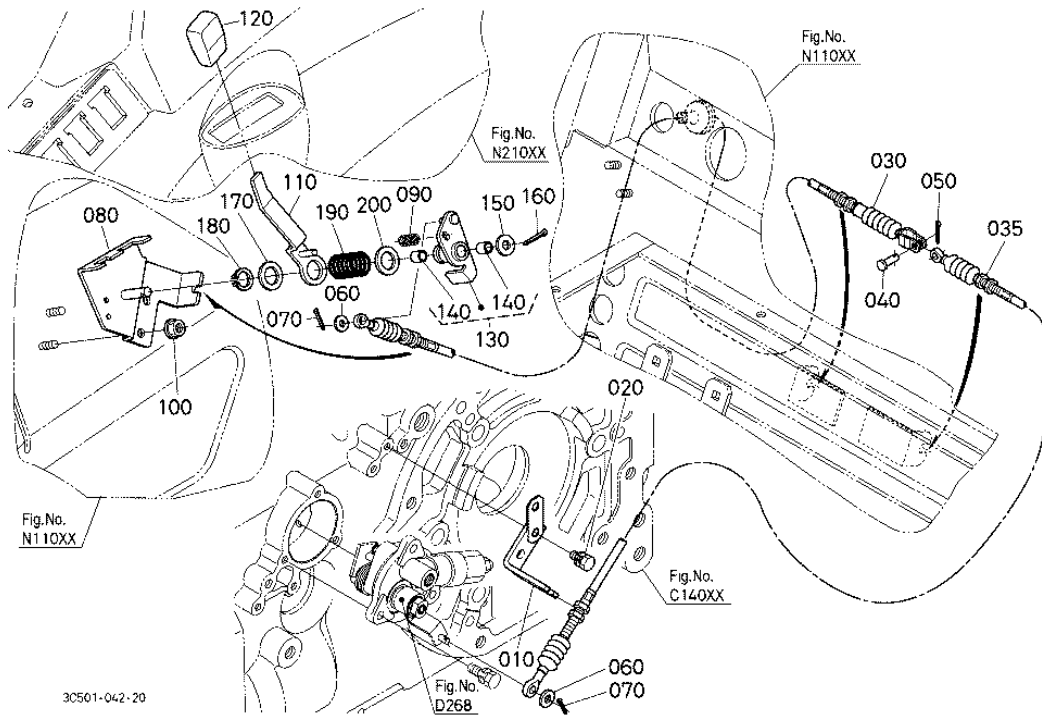
Ref	Part Number	Part Name	Qty	IC	S/N	Lbs	Remarks
050	3C581-29892	ASSY ROD RANGE	1	NI	>=53533	0.275	
050	3C581-29890	ASSY ROD RANGE	1		<=53532	0.209	ORDER BY REF.No.05
060	02112-50080	NUT	1			0.006	
070	3C581-29910	ASSY ROD RANGE	1		<=53532	0.048	ORDER BY REF.No.05
080	02112-50080	NUT	1		<=53532	0.006	
110	31351-24260	NUT	1		>=53533	0.011	
110	31351-24260	NUT	2		<=53532	0.011	

RANGE GEAR SHIFT LEVER

Ref	Part Number	Part Name	Qty	IC	S/N	Lbs	Remarks
120	66591-42410	TURNBUCKLE	1		<=53532	0.101	

PTO CLUTCH LEVER

Figure Num 01F145



30501-042-20

PTO CLUTCH LEVER

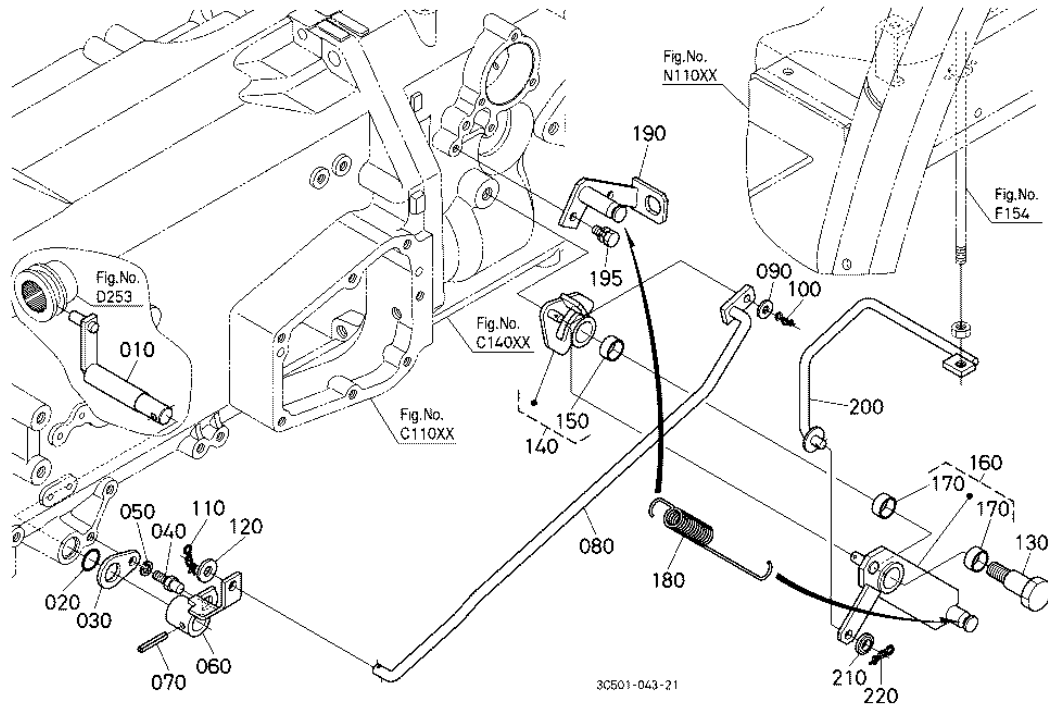
Ref	Part Number	Part Name	Qty	IC	S/N	Lbs	Remarks
010	3C001-27792	STAY WIRE	1			0.187	
020	01123-60816	BOLT	2			0.022	
030	3C501-27742	WIRE PTO	1			0.308	
035	3C501-27750	WIRE PTO VALVE	1			0.275	
040	05122-50614	PIN JOINT	1			0.008	
050	05511-51612	PIN SPLIT	1			0.002	
060	04012-50060	WASHER PLAIN	2			0.002	

PTO CLUTCH LEVER

Ref	Part Number	Part Name	Qty	IC	S/N	Lbs	Remarks
070	05511-51612	PIN SPLIT	2			0.002	
080	3C581-27802	BRACKET PTO LEVER	1			0.55	
090	3A111-27830	SPRING PTO LEVER	1			0.002	
100	02751-50080	NUT FLANGE	2			0.013	
110	3C581-27810	LEVER PTO CLUTCH	1			0.132	
120	36919-27820	GRIP PTO LEVER	1			0.033	
130	3C581-27840	ASSY LINK PTO LEVER	1			0.191	
140	08511-00812	BUSH	2			0.004	
150	04013-60080	WASHER PLAIN	1			0.004	
160	05511-50215	PIN SPLIT	1			0.002	
170	04011-50180	WASHER PLAIN	1			0.026	
180	04612-00180	CIR CLIP EXTERNAL	1			0.002	
190	53961-46130	SPRING	1			0.019	
200	15841-94010	WASHER PLAIN	1			0.006	

FRONT WHEEL DRIVE LEVER

Figure Num 01F15301



FRONT WHEEL DRIVE LEVER

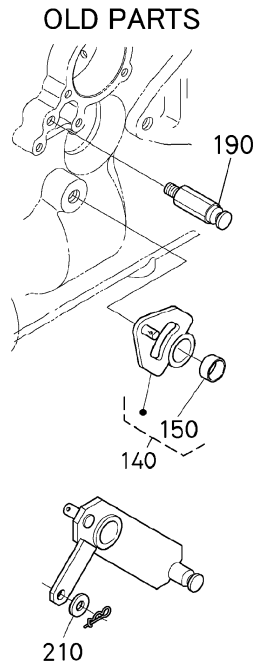
Ref	Part Number	Part Name	Qty	IC	S/N	Lbs	Remarks
010	3C011-41420	LEVER FRONT DRIVE	1			0.638	
020	3A152-23590	O RING	1			0.002	
030	34070-24350	STOPPER	1			0.044	
040	3C011-41590	BOLT	1			0.033	
050	04512-60080	WASHER SPRING	1			0.004	
060	3C011-41532	LEVER FRONT DRIVE	1			0.418	
070	05411-00635	PIN SPRING	1			0.011	

FRONT WHEEL DRIVE LEVER

Ref	Part Number	Part Name	Qty	IC	S/N	Lbs	Remarks
080	3C011-41562	ROD	1			0.836	
090	04012-50080	WASHER PLAIN	1			0.002	
100	52300-34120	PIN SNAP	1			0.002	
110	52300-34130	PIN SNAP	1			0.008	
120	04013-60100	WASHER PLAIN	1			0.006	
130	3C011-41722	PIN DT LEVER	1			0.264	
140	3C011-41403	ASSY LEVER F.DRIVE	1	>>	>=50822	0.286	
140	3C011-41402	ASSY LEVER F.DRIVE	1		<=50821	0.286	
150	08511-01910	BUSH	1			0.017	
160	3C011-41500	ASSY LEVER F.DRIVE	1			1.012	
170	08511-01910	BUSH	2			0.017	
180	3C091-41490	SPRING	1			0.189	
190	3C011-41710	PIN SPRING	1		<=50821	0.22	
190	3C011-41440	STAY SPRING	1	NI	>=50822	0.418	
195	01123-50818	BOLT	2		>=50822	0.026	
200	3C511-41572	ROD LOWER	1		<=50821	0.484	
200	3C511-41573	ROD LOWER	1	>>	>=50822	0.484	
210	04013-60100	WASHER PLAIN	1		<=52148	0.006	
210	04717-01000	WASHER WITH RUBBER	1	>>	>=52149	0.002	
220	52300-34130	PIN SNAP	1			0.008	

FRONT WHEEL DRIVE LEVER

Figure Num 01F15301



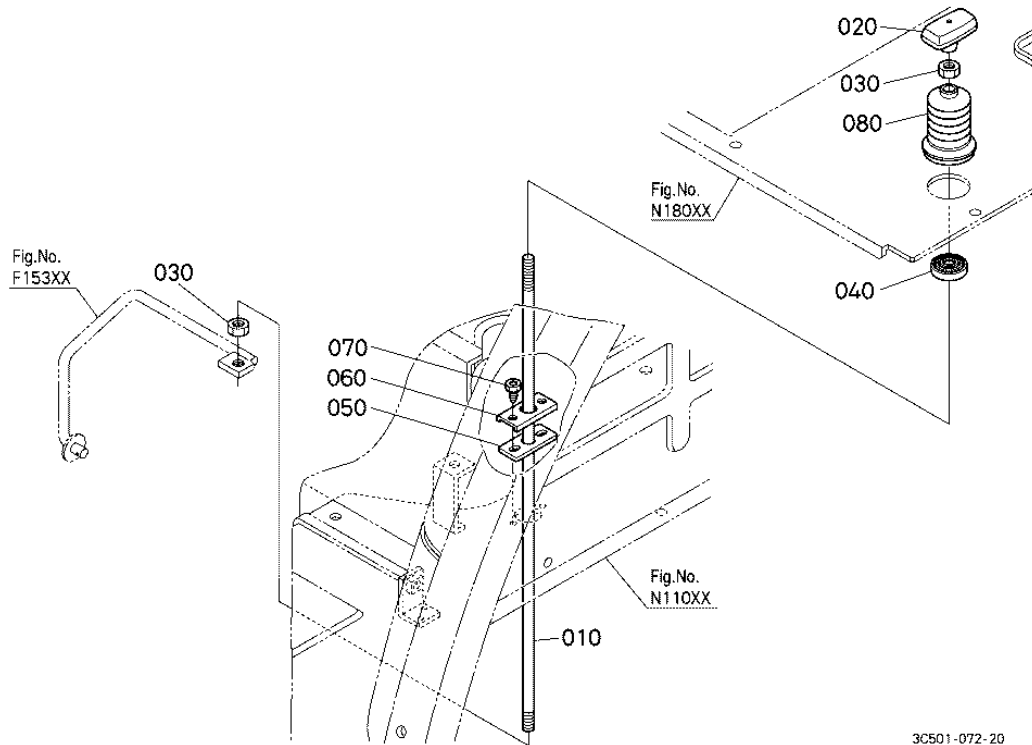
3C051-806-11

FRONT WHEEL DRIVE LEVER

Ref	Part Number	Part Name	Qty	IC	S/N	Lbs	Remarks
140	3C011-41403	ASSY LEVER F.DRIVE	1	>>	>=50822	0.286	
140	3C011-41402	ASSY LEVER F.DRIVE	1		<=50821	0.286	
150	08511-01910	BUSH	1			0.017	
190	3C011-41440	STAY SPRING	1	NI	>=50822	0.418	
190	3C011-41710	PIN SPRING	1		<=50821	0.22	
210	04717-01000	WASHER WITH RUBBER	1	>>	>=52149	0.002	
210	04013-60100	WASHER PLAIN	1		<=52148	0.006	

FRONT WHEEL DRIVE LEVER (UPPER)

Figure Num 01F154



3C501-072-20

FRONT WHEEL DRIVE LEVER (UPPER)

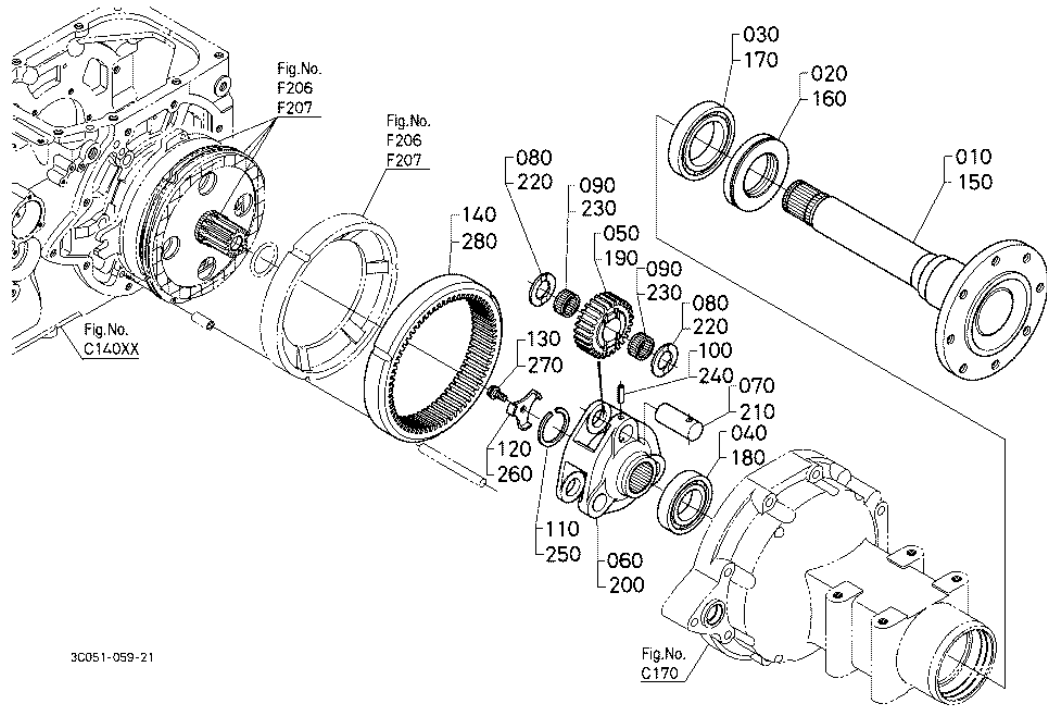
Ref	Part Number	Part Name	Qty	IC	S/N	Lbs	Remarks
010	3C591-41580	ROD UPPER	1			0.539	
020	3A121-41450	GRIP LEVER	1			0.077	
030	02116-50100	NUT	2			0.008	
040	3C581-41590	CUSHION	1			0.011	
050	3C581-41460	CUSHION	1			0.013	
060	3A651-41470	HOLDER	1			0.024	
070	3F740-80670	BOLT	2			0.008	

FRONT WHEEL DRIVE LEVER (UPPER)

Ref	Part Number	Part Name	Qty	IC	S/N	Lbs	Remarks
080	3A751-30010	BOOT	1			0.050	

REAR AXLE

Figure Num 01F200



3C051-059-21

REAR AXLE

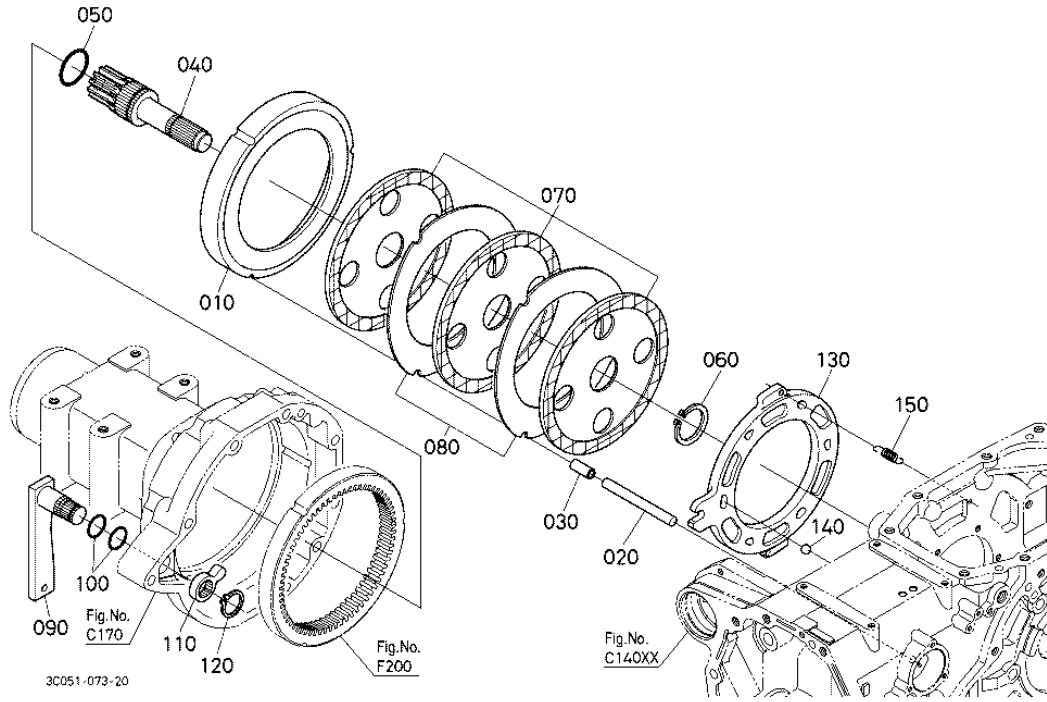
Ref	Part Number	Part Name	Qty	IC	S/N	Lbs	Remarks
010	3C011-48212	AXLE REAR	1	>>	>=50513	46.2	
010	3C011-48210	AXLE REAR	1		<=50512	46.2	
020	3C001-48250	SEAL OIL	1			0.563	
030	08101-06213	BEARING BALL	1			2.134	
040	08101-06211	BEARING BALL	1			1.32	
050	3C001-48320	GEAR PLANETARY	3			3.476	27T
060	3C001-48340	SUPPORT PLANE.GEAR	1			9.24	

REAR AXLE

Ref	Part Number	Part Name	Qty	IC	S/N	Lbs	Remarks
070	3C001-48360	PIN PLANETARY GEAR	3			0.858	
080	36330-48370	COLLAR THRUST	6			0.044	
090	3C001-48350	BEARING NEEDLE	6			0.077	
100	05411-00828	PIN SPRING	3			0.006	
110	33740-24670	CIR CLIP EXTERNAL	1			0.033	
120	3C001-48280	RETAINER	1			0.077	
130	01779-51020	BOLT UBS	1			0.055	
140	3C001-48310	GEAR INTERNAL	1		<=52299	6.6	66T
140	3C011-48310	GEAR INTERNAL	1		>=52300	7.26	66T
150	3C011-48212	AXLE REAR	1	>>	>=50513	46.2	
150	3C011-48210	AXLE REAR	1		<=50512	46.2	
160	3C001-48250	SEAL OIL	1			0.563	
170	08101-06213	BEARING BALL	1			2.134	
180	08101-06211	BEARING BALL	1			1.32	
190	3C001-48320	GEAR PLANETARY	3			3.476	27T
200	3C001-48340	SUPPORT PLANE.GEAR	1			9.24	
210	3C001-48360	PIN PLANETARY GEAR	3			0.858	
220	36330-48370	COLLAR THRUST	6			0.044	
230	3C001-48350	BEARING NEEDLE	6			0.077	
240	05411-00828	PIN SPRING	3			0.006	
250	33740-24670	CIR CLIP EXTERNAL	1			0.033	
260	3C001-48280	RETAINER	1			0.077	
270	01779-51020	BOLT UBS	1			0.055	
280	3C011-48310	GEAR INTERNAL	1	NI	>=52300	7.26	66T
280	3C001-48310	GEAR INTERNAL	1		<=52299	6.6	66T

BRAKE RH

Figure Num 01F206



BRAKE RH

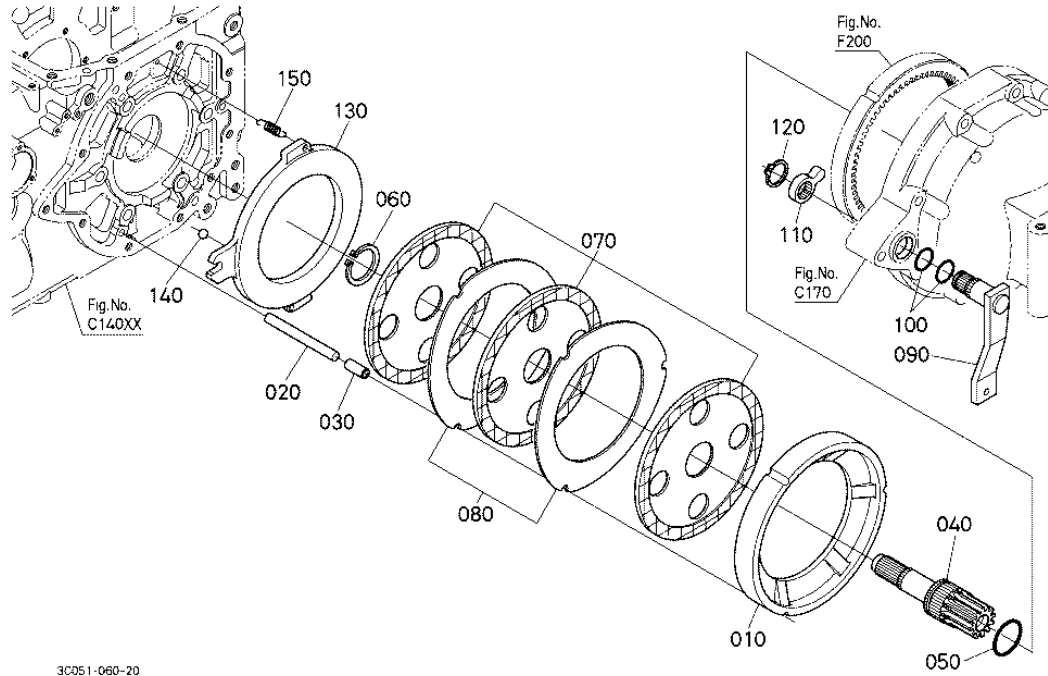
Ref	Part Number	Part Name	Qty	IC	S/N	Lbs	Remarks
010	3C011-65120	PLATE STOPPER	1	NI	>=52300	8.8	
010	3C001-65120	PLATE STOPPER	1		<=52299	9.24	
020	3C081-48410	PIN BRAKE	3			0.165	
030	3A011-65160	COLLAR	3			0.030	
040	3C001-48460	GEAR-SHAFT BRAKE	1			4.312	12T
050	04816-08480	O RING	1			0.011	
060	04612-00550	CIR CLIP EXTERNAL	1			0.022	

BRAKE RH

Ref	Part Number	Part Name	Qty	IC	S/N	Lbs	Remarks
070	32530-28280	PLATE FRICTION	3			2.024	
080	3C081-65130	PLATE	2			1.122	
090	3C001-65330	SHAFT BRAKE CAM RH	1			2.156	
100	04816-50300	O RING	2			0.002	
110	3A011-65310	CAM BRAKE	1			0.22	
120	04612-00280	CIR CLIP EXTERNAL	1			0.006	
130	3A151-65140	PLATE BRAKE CAM RH	1			4.301	
140	07715-00805	BALL	6			0.035	
150	3A011-65810	SPRING	2			0.011	

BRAKE LH

Figure Num 01F207



BRAKE LH

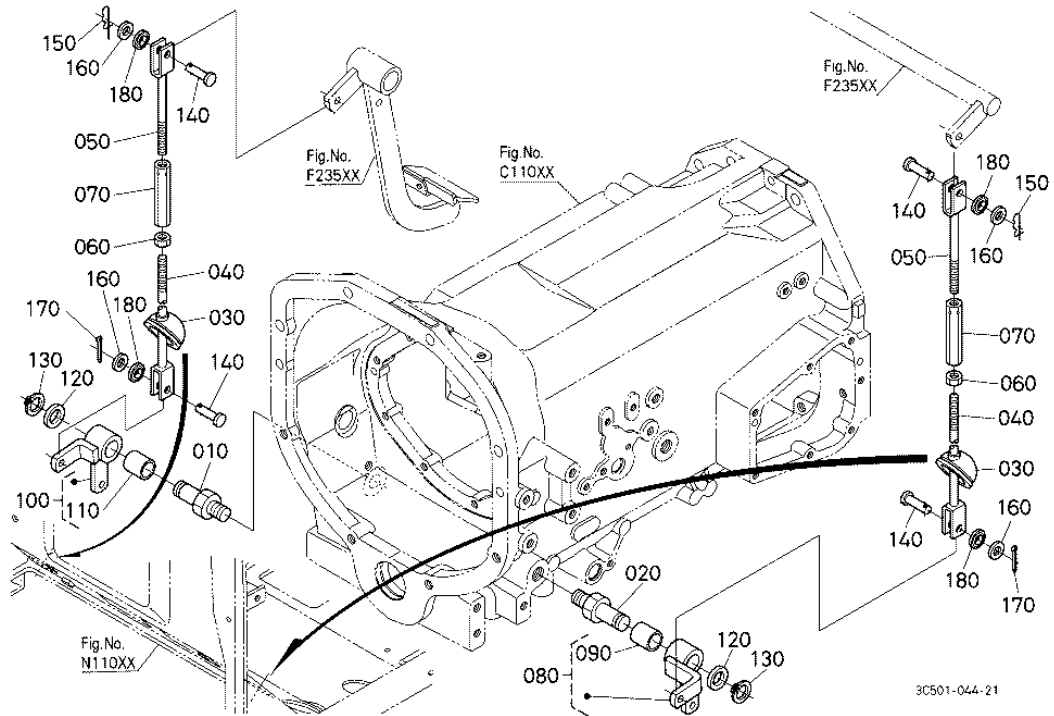
Ref	Part Number	Part Name	Qty	IC	S/N	Lbs	Remarks
010	3C011-65120	PLATE STOPPER	1	NI	>=52300	8.8	
010	3C001-65120	PLATE STOPPER	1		<=52299	9.24	
020	3C081-48410	PIN BRAKE	3			0.165	
030	3A011-65160	COLLAR	3			0.030	
040	3C001-48460	GEAR-SHAFT BRAKE	1			4.312	12T
050	04816-08480	O RING	1			0.011	
060	04612-00550	CIR CLIP EXTERNAL	1			0.022	

BRAKE LH

Ref	Part Number	Part Name	Qty	IC	S/N	Lbs	Remarks
070	32530-28280	PLATE FRICTION	3			2.024	
080	3C081-65130	PLATE	2			1.122	
090	3C001-65340	SHAFT BRAKE CAM LH	1			2.156	
100	04816-50300	O RING	2			0.002	
110	3A011-65310	CAM BRAKE	1			0.22	
120	04612-00280	CIR CLIP EXTERNAL	1			0.006	
130	3A151-65150	PLATE BRAKE CAM LH	1			4.301	
140	07715-00805	BALL	6			0.035	
150	3A011-65810	SPRING	2			0.011	

BRAKE ROD 1 (BRAKE PEDAL)

Figure Num 01F211



BRAKE ROD 1 (BRAKE PEDAL)

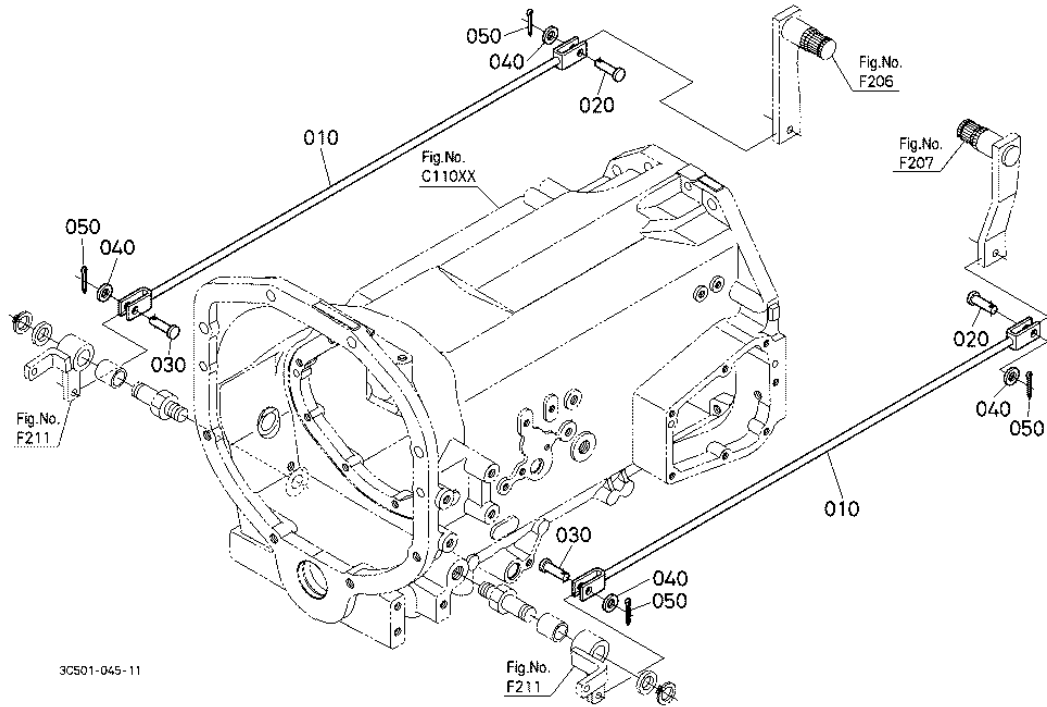
Ref	Part Number	Part Name	Qty	IC	S/N	Lbs	Remarks
010	34070-44870	SHAFT BRAKE LH	1			0.495	
020	34070-44880	SHAFT BRAKE RH	1			0.484	
030	3C501-65490	BOOT BRAKE ROD	2		<=52728	0.026	
030	3C501-65492	BOOT BRAKE ROD	2	NI	>=52729	0.026	
040	3C501-67422	ROD BRAKE	2			0.847	
050	3C501-67430	ROD BRAKE	2			0.275	
060	02116-50100	NUT	2			0.008	

BRAKE ROD 1 (BRAKE PEDAL)

Ref	Part Number	Part Name	Qty	IC	S/N	Lbs	Remarks
070	32350-28980	TURNBUCKLE	2			0.272	
080	3C501-65262	ASSY LEVER BRAKE LH	1			0.99	
090	34070-44890	BUSH	1			0.077	
100	3C501-65252	ASSY LEVER BRAKE RH	1			0.836	
110	34070-44890	BUSH	1			0.077	
120	04011-50200	WASHER PLAIN	2			0.033	
130	04612-00200	CIR CLIP EXTERNAL	2			0.002	
140	38430-15790	PIN JOINT	4			0.044	
150	52300-34130	PIN SNAP	2			0.008	
160	04013-60100	WASHER PLAIN	4			0.006	
170	05511-50318	PIN SPLIT	2			0.002	
180	04717-01000	WASHER WITH RUBBER	4		>=51924	0.002	

BRAKE ROD 2 (BRAKE CAM)

Figure Num 01F212

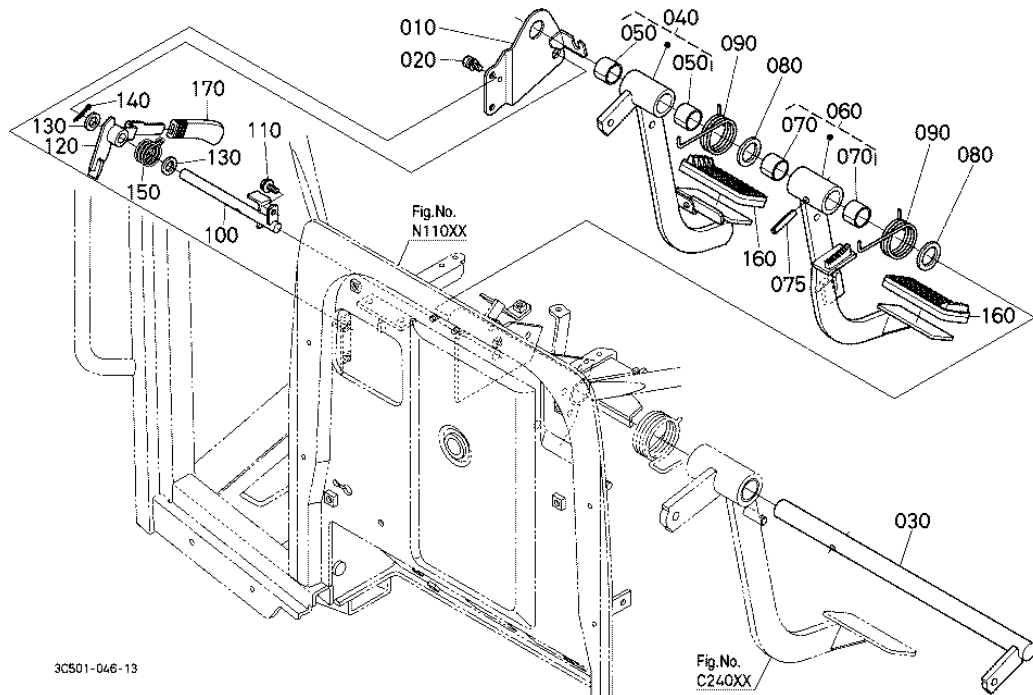


BRAKE ROD 2 (BRAKE CAM)

Ref	Part Number	Part Name	Qty	IC	S/N	Lbs	Remarks
010	3C001-67412	ROD BRAKE	2			1.254	
020	66706-65380	PIN SET	2			0.046	
030	38430-15790	PIN JOINT	2			0.044	
040	04013-60100	WASHER PLAIN	4			0.006	
050	05511-50318	PIN SPLIT	4			0.002	

BRAKE PEDAL

Figure Num 01F23501



BRAKE PEDAL

Ref	Part Number	Part Name	Qty	IC	S/N	Lbs	Remarks
010	3C501-44073	SUPPORT PEDAL SHAFT	1	>>	>=51001	0.528	
010	3C501-44074	SUPPORT PEDAL SHAFT	1	>>	>=51924	0.528	
010	3C501-44072	SUPPORT PEDAL SHAFT	1		<=51000	0	
020	01123-60816	BOLT	2			0.022	
030	3C501-44012	SHAFT PEDAL	1			3.938	
040	3C501-44122	PEDAL BRAKE RH	1		<=52790	3.08	
040	3C501-44123	PEDAL BRAKE RH	1	NI	>=52791	3.08	

BRAKE PEDAL

Ref	Part Number	Part Name	Qty	IC	S/N	Lbs	Remarks
050	08511-02520	BUSH	2			0.044	
060	3C501-44110	PEDAL BRAKE LH	1		<=52790	3.08	
060	3C501-44112	PEDAL BRAKE LH	1	NI	>=52791	3.08	
070	08511-02520	BUSH	2			0.044	
075	05411-00850	PIN SPRING	1	>>	>=51924	0.026	
075	05411-00840	PIN SPRING	1		<=51923	0.017	
080	04011-50250	WASHER PLAIN	2			0.059	
090	3C581-44170	SPRING	2			0.165	
100	3C501-44000	STOPPER BRAKE PEDAL	1			0.495	
110	01754-50616	BOLT FLANGE	1			0.013	
120	3C501-67600	LEVER BRAKE	1			0.374	
130	04011-50140	WASHER PLAIN	2			0.015	
140	05511-50425	PIN SPLIT	1			0.006	
150	3C001-67610	SPRING PARKING	1			0.044	
160	T2050-44120	COVER PEDAL	2			0.154	
170	TA040-49842	GRIP	1			0.055	

BRAKE PEDAL

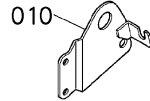
Figure Num 01F23501

OLD PARTS

S.No.; A : <=10288

B : <=51000

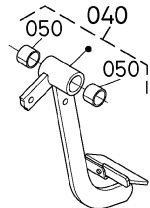
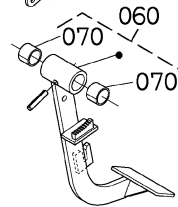
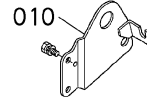
C : <=51000



S.No.; A : <=10542

B : <=51923

C : <=51923



3C501-814-12

BRAKE PEDAL

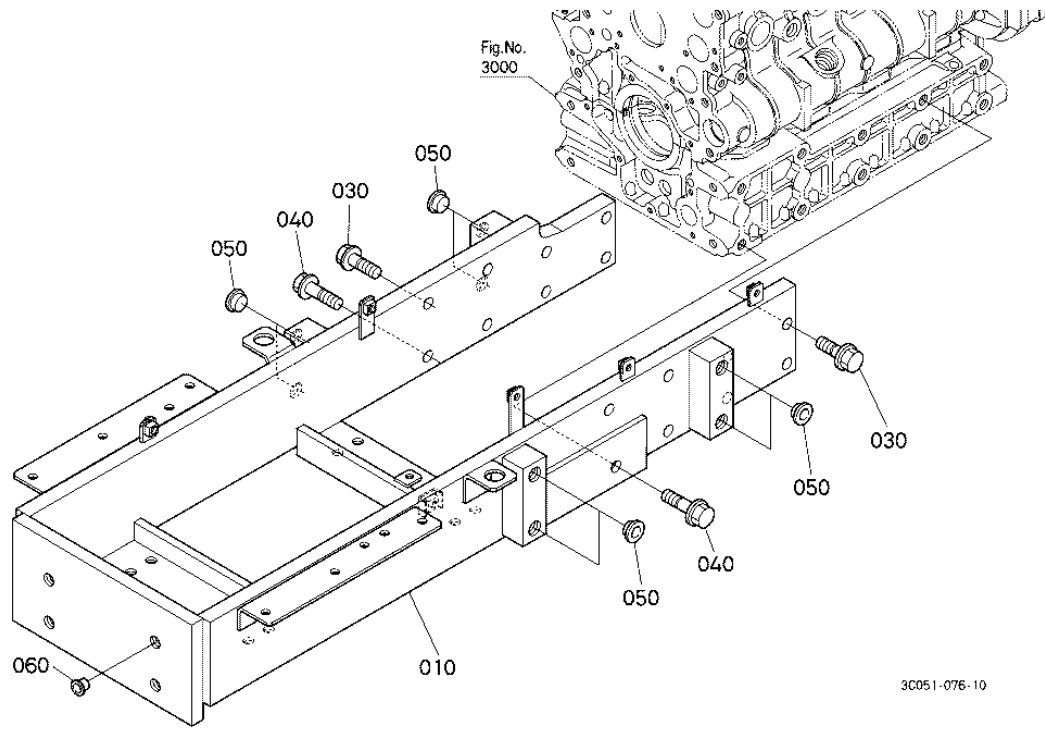
Ref	Part Number	Part Name	Qty	IC	S/N	Lbs	Remarks
010	3C501-44074	SUPPORT PEDAL SHAFT	1	>>	>=51924	0.528	
010	3C501-44073	SUPPORT PEDAL SHAFT	1	>>	>=51001	0.528	
010	3C501-44072	SUPPORT PEDAL SHAFT	1		<=51000	0	
040	3C501-44123	PEDAL BRAKE RH	1	NI	>=52791	3.08	
040	3C501-44122	PEDAL BRAKE RH	1		<=52790	3.08	
050	08511-02520	BUSH	2			0.044	
060	3C501-44112	PEDAL BRAKE LH	1	NI	>=52791	3.08	

BRAKE PEDAL

Ref	Part Number	Part Name	Qty	IC	S/N	Lbs	Remarks
060	3C501-44110	PEDAL BRAKE LH	1		<=52790	3.08	
070	08511-02520	BUSH	2			0.044	

FRONT AXLE FRAME

Figure Num 01G10502

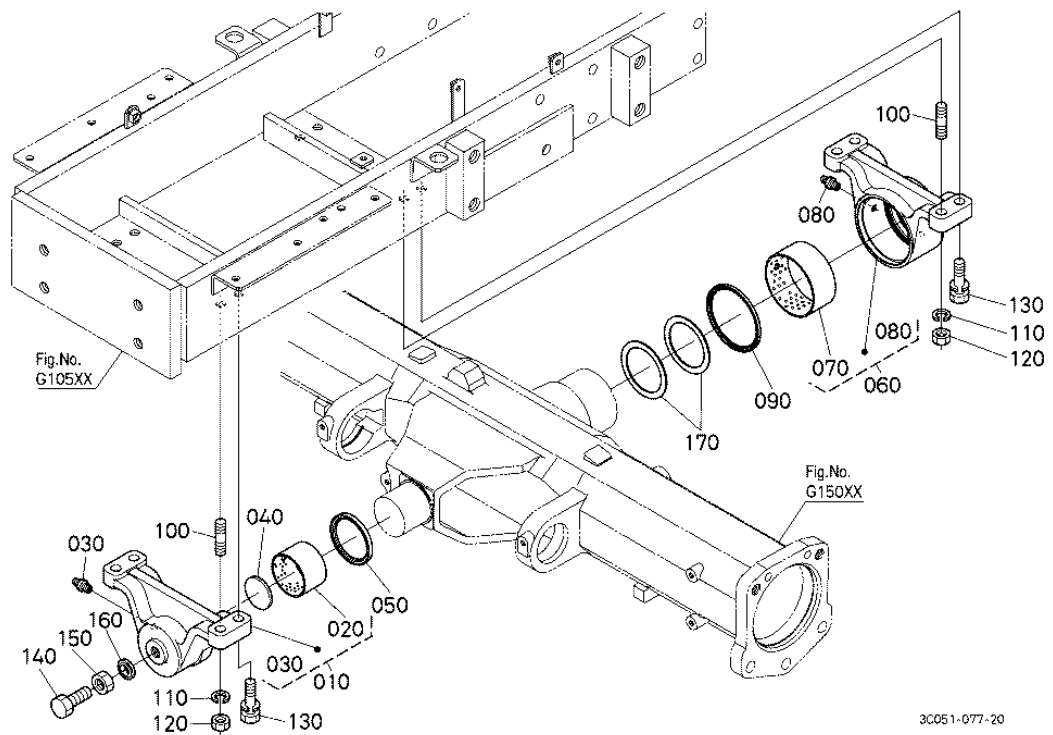


FRONT AXLE FRAME

Ref	Part Number	Part Name	Qty	IC	S/N	Lbs	Remarks
010	3C011-21710	FRAME FRONT AXLE	1			147.4	
030	01779-51445	BOLT UBS	14			0.182	
040	01779-51455	BOLT UBS	2			0.209	
050	67211-76170	PLUG	8			0.008	
060	33300-90910	PLUG	4			0.004	

FRONT AXLE BRACKET

Figure Num 01G11002



3C051-077-20

FRONT AXLE BRACKET

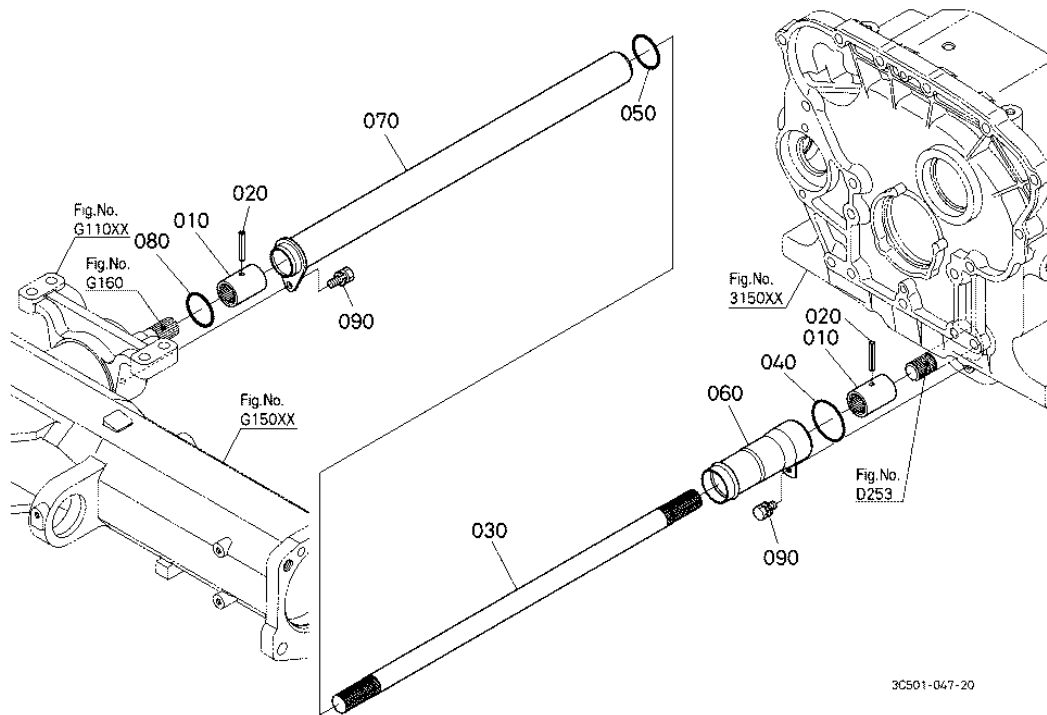
Ref	Part Number	Part Name	Qty	IC	S/N	Lbs	Remarks
010	3C011-41630	ASSY BRACKET FRONT	1			7.04	
020	5J042-14170	BUSH	1			0.275	
030	06611-15010	NIPPLE GREASE	1			0.022	
040	37410-56180	COLLAR THRUST	1			0.132	
050	09230-60756	SEAL OIL	1			0.033	
060	3C011-41642	ASSY BRACKET REAR	1			7.7	
070	3C011-41680	BUSH	1			0.407	

FRONT AXLE BRACKET

Ref	Part Number	Part Name	Qty	IC	S/N	Lbs	Remarks
080	06611-15010	NIPPLE GREASE	1			0.022	
090	3C011-42170	SEAL OIL	1			0.026	
100	01517-51440	STUD	4			0.140	
110	04512-60140	WASHER SPRING	4			0.017	
120	02176-50140	NUT	4			0.030	
130	01138-51445	BOLT	4			0.002	
140	01175-51645	BOLT	1			0.198	
150	02176-50160	NUT	1			0.046	
160	04717-01610	WASHER WITH RUBBER	1			0.013	
170	3C011-41670	COLLAR	2			0.066	

FRONT PROPELLER SHAFT

Figure Num 01G140



3C501-047-20

FRONT PROPELLER SHAFT

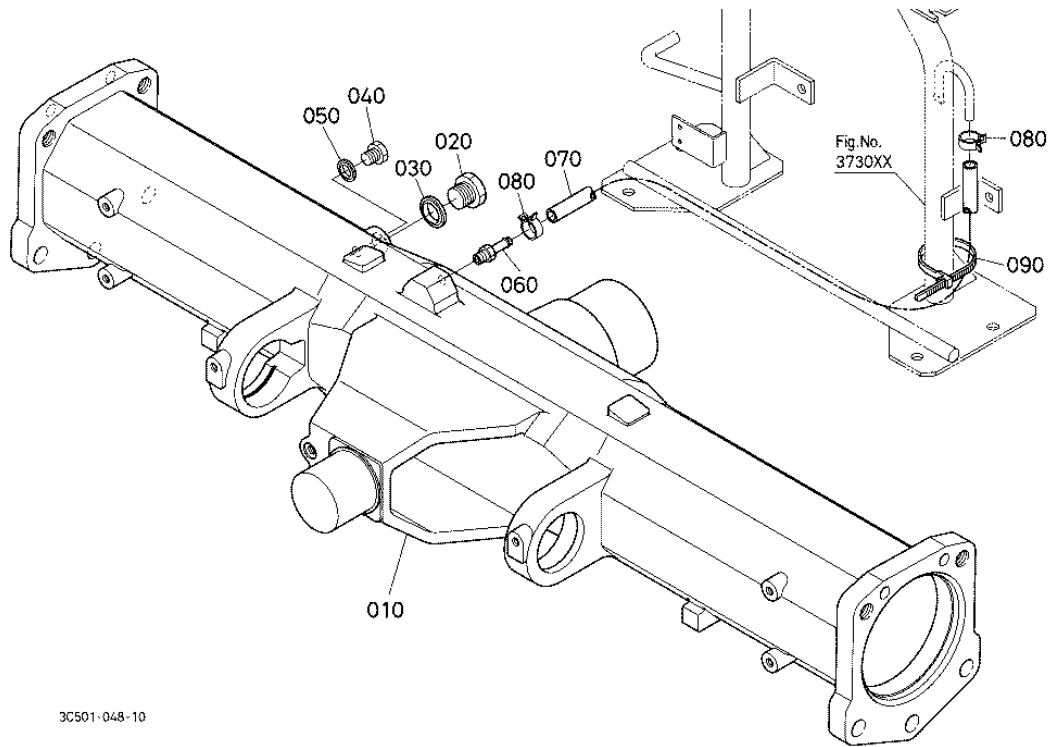
Ref	Part Number	Part Name	Qty	IC	S/N	Lbs	Remarks
010	33710-41310	COUPLING	2			0.396	
020	05411-00635	PIN SPRING	2			0.011	
030	3C011-41320	SHAFT PROPELLER	1			5.5	
040	04816-00420	O RING	1			0.004	
050	04811-10530	O RING	1			0.002	
060	3C511-41340	COVER SHAFT REAR	1			0.594	
070	3C511-41350	COVER SHAFT FRONT	1			1.98	

FRONT PROPELLER SHAFT

Ref	Part Number	Part Name	Qty	IC	S/N	Lbs	Remarks
080	04816-00420	O RING	1			0.004	
090	01123-60816	BOLT	2			0.022	

FRONT DIFFERENTIAL CASE

Figure Num 01G150



3C501-048-10

FRONT DIFFERENTIAL CASE

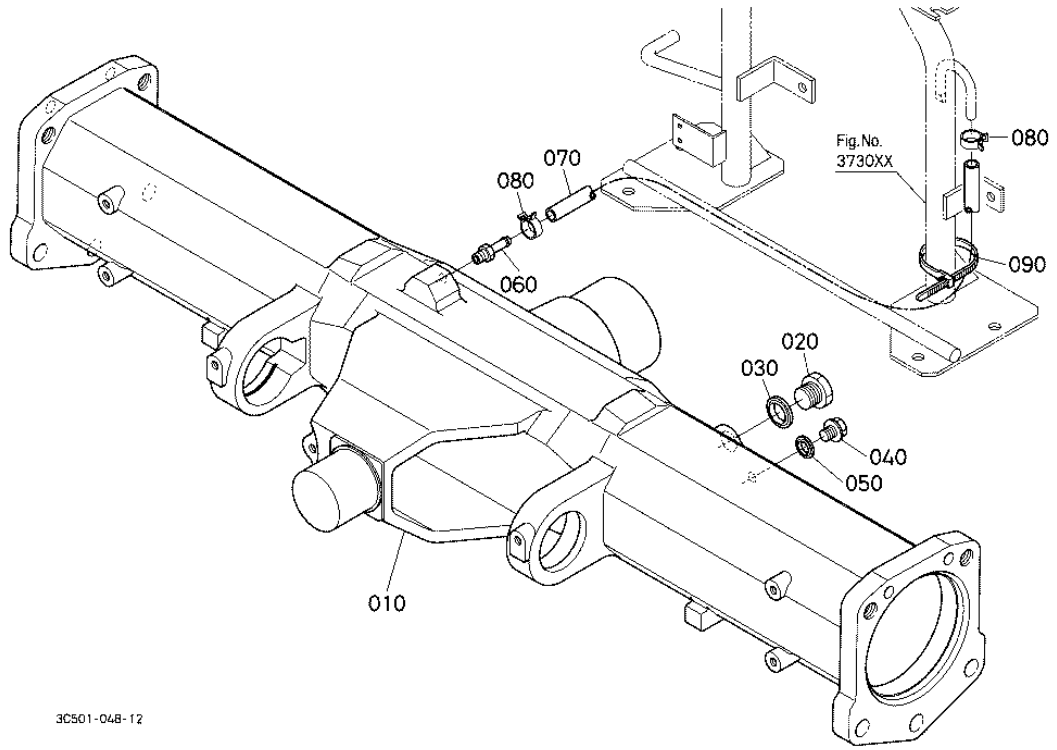
Ref	Part Number	Part Name	Qty	IC	S/N	Lbs	Remarks
010	3C051-42150	CASE FRONT AXLE	1			92.4	
020	06331-35020	PLUG	1			0.149	
030	04717-02000	WASHER WITH RUBBER	1			0.008	
040	06331-45010	PLUG	1			0.044	
050	04717-01000	WASHER WITH RUBBER	1			0.002	
060	T0180-12070	PIPE BREATHER	1			0.033	
070	09663-80650	TUBE FUEL	1			0.165	

FRONT DIFFERENTIAL CASE

Ref	Part Number	Part Name	Qty	IC	S/N	Lbs	Remarks
080	09318-88115	CLAMP HOSE	2			0.004	
090	53581-64150	BAND CORD	1			0.004	

FRONT DIFFERENTIAL CASE

Figure Num 01G15001



3C501-048-12

FRONT DIFFERENTIAL CASE

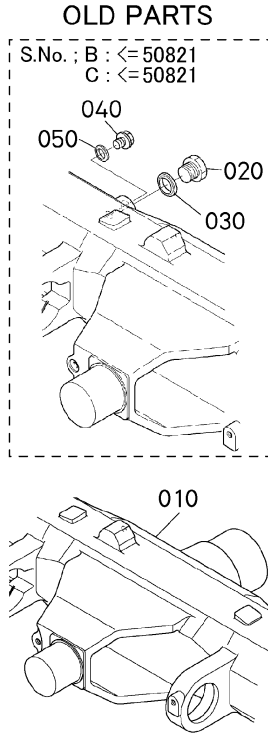
Ref	Part Number	Part Name	Qty	IC	S/N	Lbs	Remarks
010	3C051-42153	CASE FRONT AXLE	1	>>	>=53679	92.4	
010	3C051-42150	CASE FRONT AXLE	1		<=53678	92.4	
020	06331-35020	PLUG	1			0.149	
030	04717-02000	WASHER WITH RUBBER	1			0.008	
040	06331-45010	PLUG	1			0.044	
050	04717-01000	WASHER WITH RUBBER	1			0.002	
060	T0180-12070	PIPE BREATHER	1			0.033	

FRONT DIFFERENTIAL CASE

Ref	Part Number	Part Name	Qty	IC	S/N	Lbs	Remarks
070	09663-80650	TUBE FUEL	1			0.165	
080	09318-88115	CLAMP HOSE	2			0.004	
090	53581-64150	BAND CORD	1			0.004	

FRONT DIFFERENTIAL CASE

Figure Num 01G15001



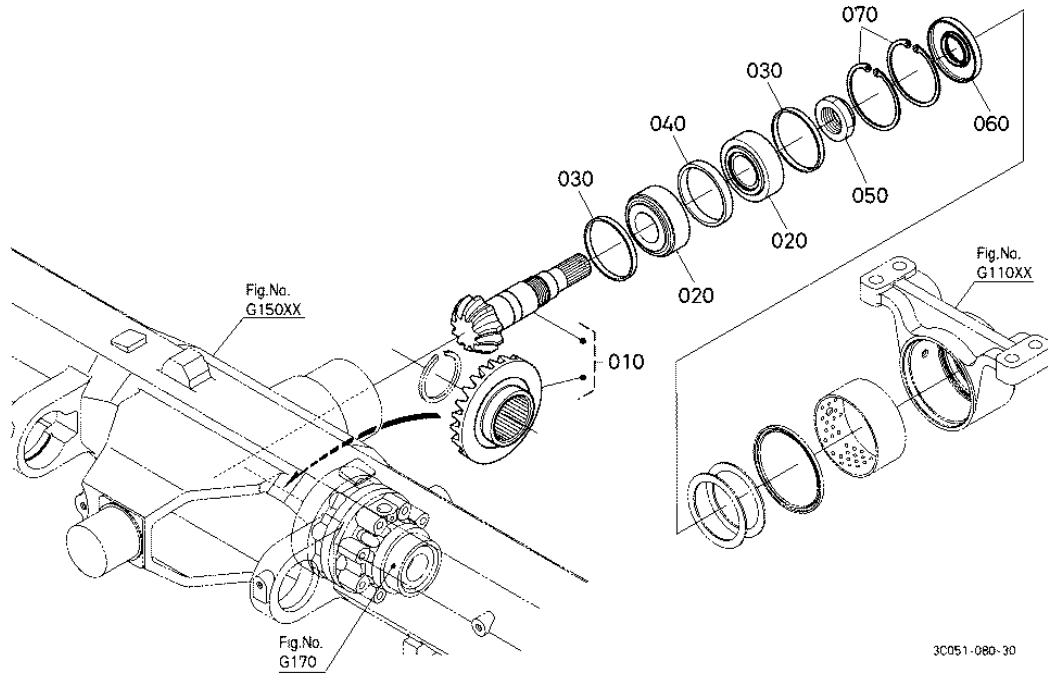
3C211-801-11

FRONT DIFFERENTIAL CASE

Ref	Part Number	Part Name	Qty	IC	S/N	Lbs	Remarks
010	3C051-42153	CASE FRONT AXLE	1	>>	>=53679	92.4	
010	3C051-42150	CASE FRONT AXLE	1		<=53678	92.4	
020	06331-35020	PLUG	1			0.149	
030	04717-02000	WASHER WITH RUBBER	1			0.008	
040	06331-45010	PLUG	1			0.044	
050	04717-01000	WASHER WITH RUBBER	1			0.002	

BEVEL GEAR (FRONT)

Figure Num 01G160



BEVEL GEAR (FRONT)

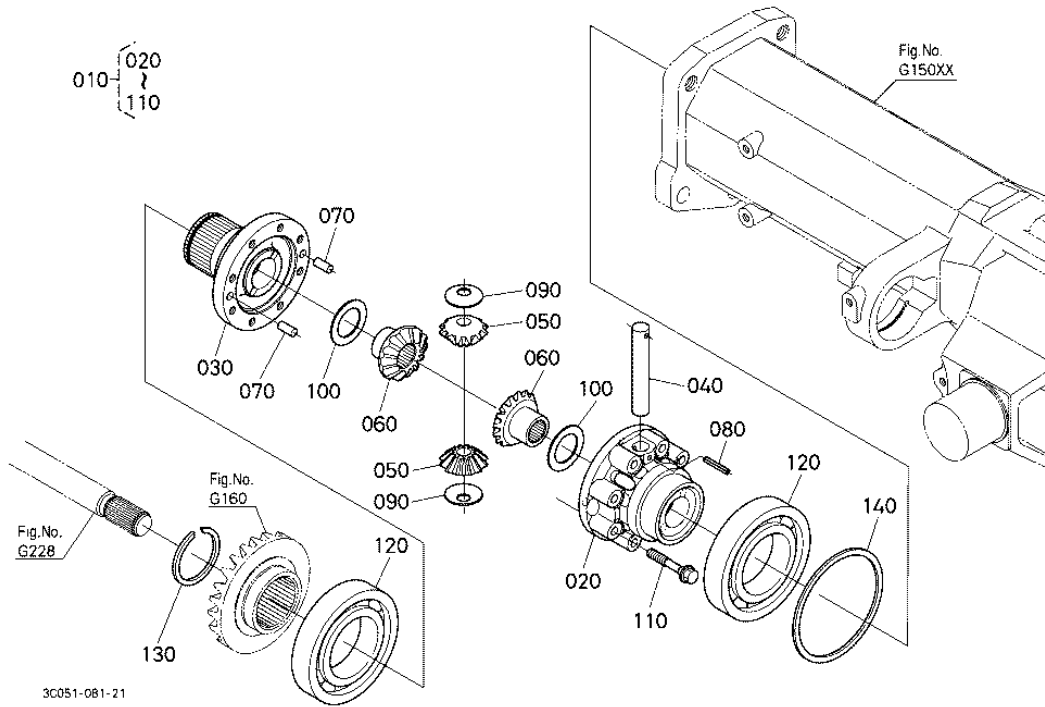
Ref	Part Number	Part Name	Qty	IC	S/N	Lbs	Remarks
010	3C011-42303	ASSY GEAR BEVEL	1			5.94	10-23T
020	3C011-43380	BEARING TAPER-ROLLER	2			1.166	
030	3C011-43070	COLLAR	2			0.044	6.4mm
030	3C011-43050	COLLAR	2			0.044	6.2mm
030	3C011-43040	COLLAR	2			0.044	6.1mm
030	3C011-43030	COLLAR	2			0.044	6.0mm
030	3C011-43020	COLLAR	2			0.044	5.9mm

BEVEL GEAR (FRONT)

Ref	Part Number	Part Name	Qty	IC	S/N	Lbs	Remarks
030	3C011-43010	COLLAR	2			0.044	5.8mm
040	3C011-43080	COLLAR	1			0.132	10.0mm
050	35340-25320	NUT	1			0.11	
060	3C011-44120	SEAL OIL	1			0.074	
070	04611-00720	CIR CLIP INTERNAL	2			0.039	

DIFFERENTIAL FRONT

Figure Num 01G170



DIFFERENTIAL FRONT

Ref	Part Number	Part Name	Qty	IC	S/N	Lbs	Remarks
010	3C011-43104	ASSY DIFFERENTIAL	1	>>	>=54240	0	
010	3C011-43105	ASSY DIFFERENTIAL	1	>>	>=54755	11.77	
010	3C011-43102	ASSY DIFFERENTIAL	1		<=54239	11.77	
020	3C091-43123	CASE DIFF.	1		<=54754	0	
020	3C091-43124	CASE DIFF.	1	>>	>=54755	4.136	
030	3C011-42410	COVER DIFF.CASE	1			5.5	
040	3C091-43030	PIN DIFF.PINION	1			0.33	

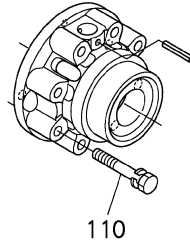
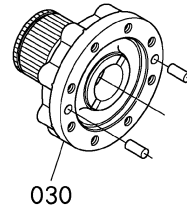
DIFFERENTIAL FRONT

Ref	Part Number	Part Name	Qty	IC	S/N	Lbs	Remarks
050	67711-14920	PINION DIFF.	2			0.242	
060	3A121-43140	GEAR DIFF.SIDE	2			0.242	14T
070	05012-00816	PIN STRAIGHT	2			0.015	
080	05411-00530	PIN SPRING	1			0.006	
090	67311-14980	COLLAR PINION THRUST	2			0.004	
100	67211-15170	SHIM	2			0.017	0.8mm
100	67211-15180	SHIM	2			0.022	1.2mm
100	67211-15160	SHIM	2			0.022	1.0mm
110	01128-50855	BOLT	8		<=54754	0.050	
110	01759-50850	BOLT UBS	8	NI	>=54755	0.050	
120	08101-06213	BEARING BALL	2			2.134	
130	33740-24670	CIR CLIP EXTERNAL	1			0.033	
140	3A151-32180	SHIM	1			0.033	0.7mm
140	3A151-32130	SHIM	1			0.035	0.8mm
140	3A151-32140	SHIM	1			0.044	1.0mm
140	3A151-32150	SHIM	1			0.052	1.2mm
140	3A151-32160	SHIM	1			0.061	1.4mm
140	3A151-32170	SHIM	1			0.096	2.3mm

DIFFERENTIAL FRONT

Figure Num 01G170

OLD PARTS



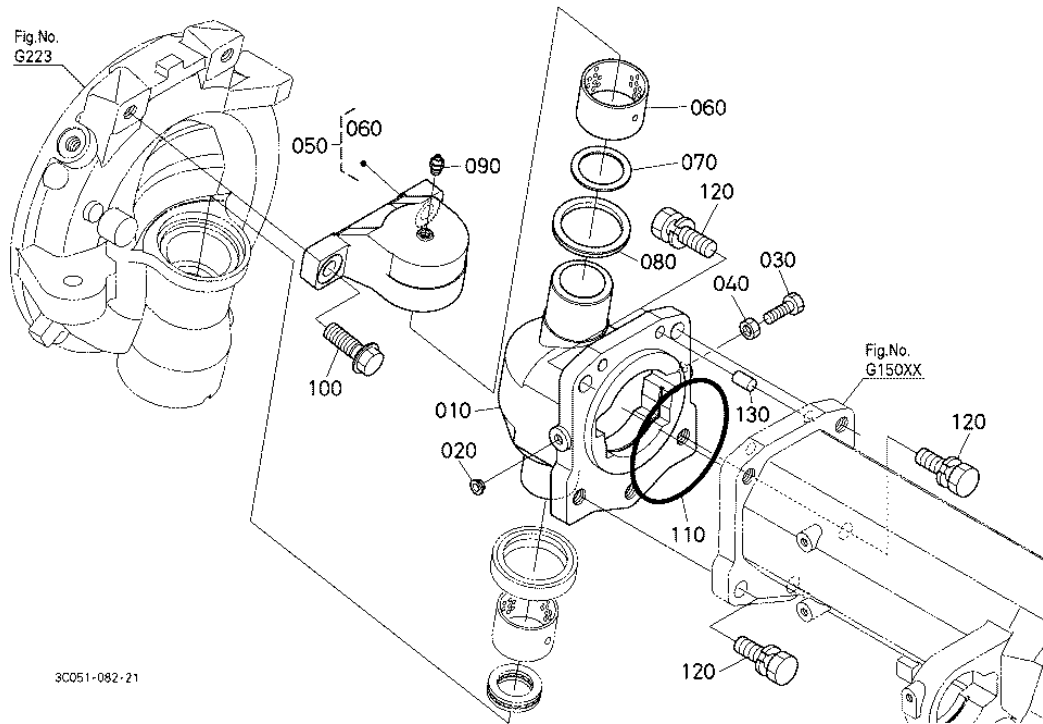
3C051-840-10

DIFFERENTIAL FRONT

Ref	Part Number	Part Name	Qty	IC	S/N	Lbs	Remarks
030	3C011-42410	COVER DIFF.CASE	1			5.5	
110	01759-50850	BOLT UBS	8	NI	>=54755	0.050	
110	01128-50855	BOLT	8		<=54754	0.050	

BEVEL GEAR CASE RH

Figure Num 01G221



BEVEL GEAR CASE RH

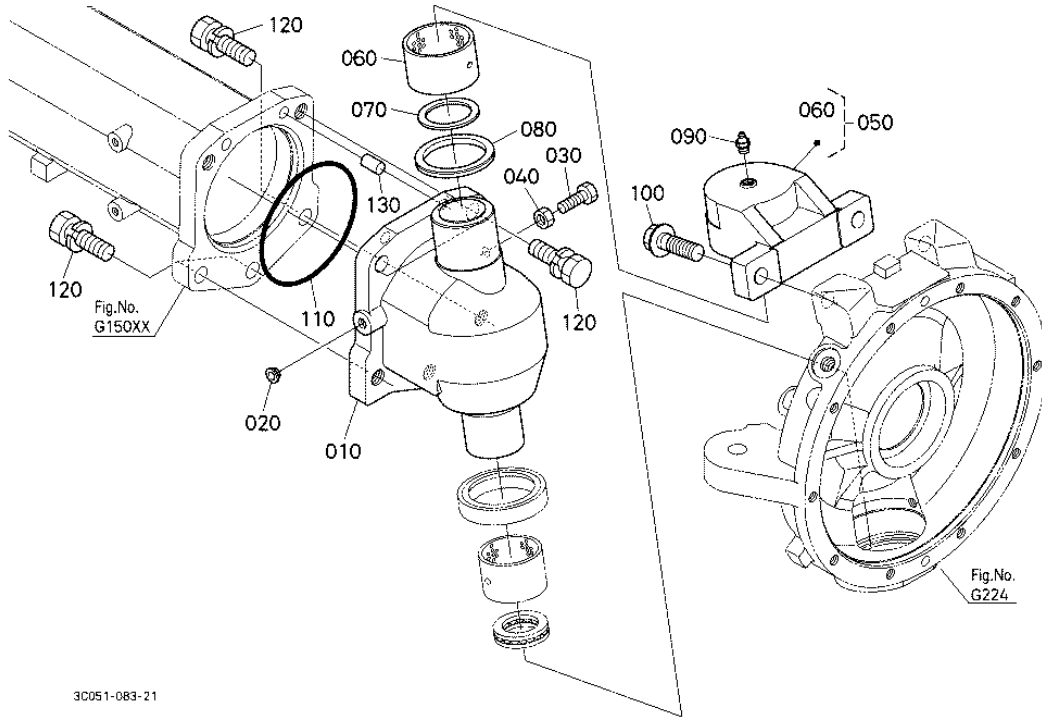
Ref	Part Number	Part Name	Qty	IC	S/N	Lbs	Remarks
010	3C011-43612	CASE BEVEL GEAR	1	>>	>=52541	17.82	
010	3C011-43610	CASE BEVEL GEAR	1		<=52540	17.82	
020	34150-27580	PLUG	1			0.002	
030	01173-51030	BOLT	1			0.050	
040	02176-50100	NUT	1			0.011	
050	3C091-43305	ASSY SUPPORT CASE	1	>>	>=52729	5.94	
050	3C091-43302	ASSY SUPPORT CASE	1		<=52728	5.94	

BEVEL GEAR CASE RH

Ref	Part Number	Part Name	Qty	IC	S/N	Lbs	Remarks
060	5J042-14170	BUSH	1			0.275	
070	44512-23270	COLLAR	1			0.044	
080	09230-60756	SEAL OIL	1			0.033	
090	06611-15010	NIPPLE GREASE	1			0.022	
100	3C091-43310	BOLT	2			0.253	
110	04811-51250	O RING	1			0.008	
120	01138-51650	BOLT	5			0.121	
130	31353-43880	PIN STRAIGHT	2			0.044	

BEVEL GEAR CASE LH

Figure Num 01G222



3C051-083-21

BEVEL GEAR CASE LH

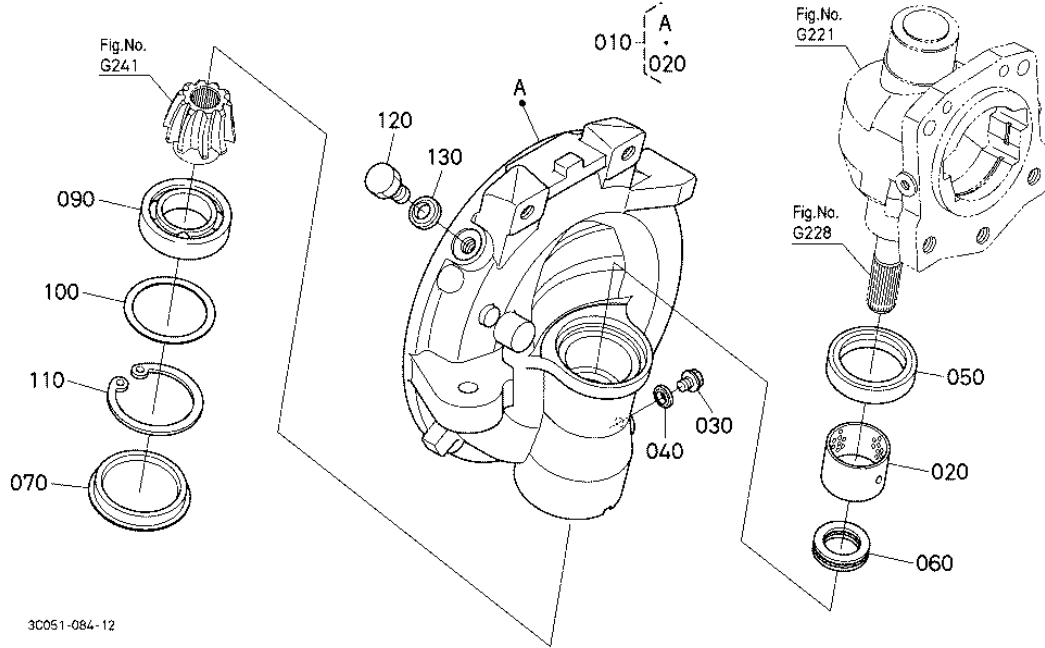
Ref	Part Number	Part Name	Qty	IC	S/N	Lbs	Remarks
010	3C011-43612	CASE BEVEL GEAR	1	>>	>=52420	17.82	
010	3C011-43610	CASE BEVEL GEAR	1		<=52419	17.82	
020	34150-27580	PLUG	1			0.002	
030	01173-51030	BOLT	1			0.050	
040	02176-50100	NUT	1			0.011	
050	3C091-43305	ASSY SUPPORT CASE	1	>>	>=52729	5.94	
050	3C091-43302	ASSY SUPPORT CASE	1		<=52728	5.94	

BEVEL GEAR CASE LH

Ref	Part Number	Part Name	Qty	IC	S/N	Lbs	Remarks
060	5J042-14170	BUSH	1			0.275	
070	44512-23270	COLLAR	1			0.044	
080	09230-60756	SEAL OIL	1			0.033	
090	06611-15010	NIPPLE GREASE	1			0.022	
100	3C091-43310	BOLT	2			0.253	
110	04811-51250	O RING	1			0.008	
120	01138-51650	BOLT	5			0.121	
130	31353-43880	PIN STRAIGHT	2			0.044	

FRONT AXLE CASE RH

Figure Num 01G223



3C051-084-12

FRONT AXLE CASE RH

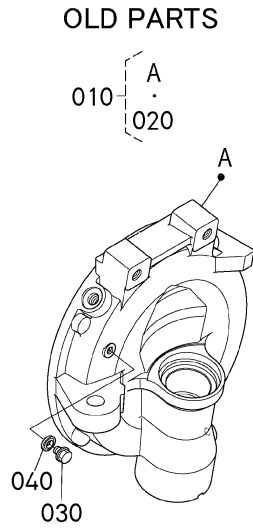
Ref	Part Number	Part Name	Qty	IC	S/N	Lbs	Remarks
010	3C011-43660	ASSY CASE GEAR R	1			34.76	
020	52200-22280	BUSH	1			0.242	
030	06331-45010	PLUG	2		<=53202	0.044	
030	06331-45010	PLUG	1		>=53203	0.044	
040	04717-01000	WASHER WITH RUBBER	2		<=53202	0.002	
040	04717-01000	WASHER WITH RUBBER	1		>=53203	0.002	
050	33670-43360	SEAL OIL	1			0.22	

FRONT AXLE CASE RH

Ref	Part Number	Part Name	Qty	IC	S/N	Lbs	Remarks
060	08401-51107	BEARING THRUST BALL	1			0.173	
070	34550-13100	PLUG	1			0.242	
090	70155-51320	BEARING BALL	1			0.924	
100	3C011-44140	SHIM	1			0.017	0.6mm
100	3C011-44150	SHIM	1			0.024	0.8mm
100	3C011-44160	SHIM	1			0.026	1.0mm
100	3C011-44170	SHIM	1			0.035	1.2mm
100	3C011-44180	SHIM	1			0.044	1.4mm
100	3C011-44130	SHIM	1			0.011	0.4mm
110	04611-00850	CIR CLIP INTERNAL	1			0.063	
120	06331-35016	PLUG	1			0.088	
130	04717-01600	WASHER WITH RUBBER	1			0.006	

FRONT AXLE CASE RH

Figure Num 01G223



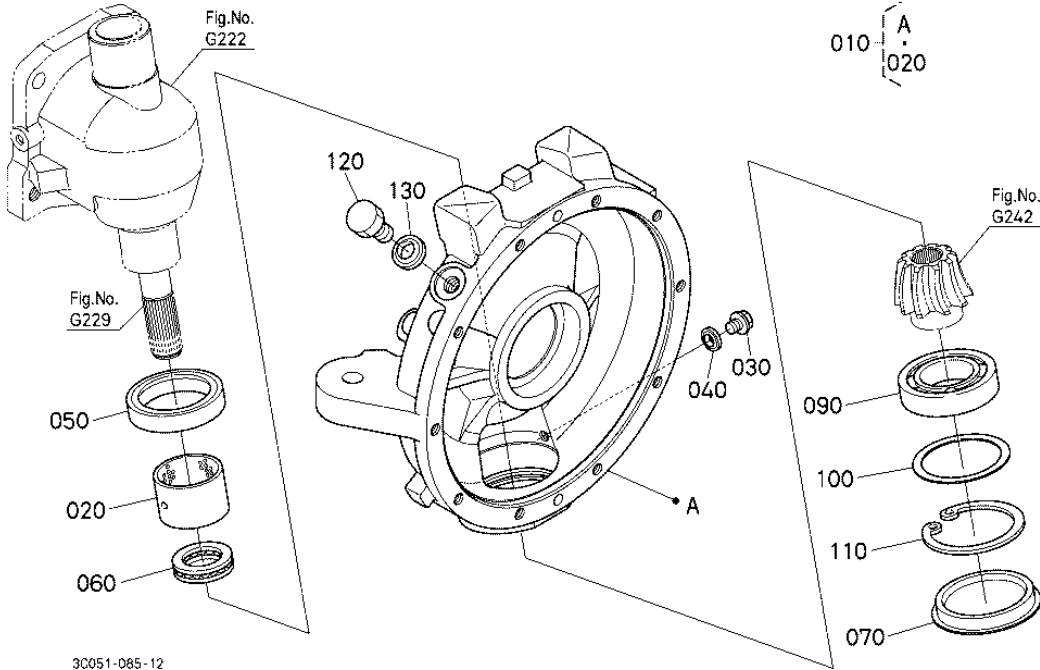
3C253-807-10

FRONT AXLE CASE RH

Ref	Part Number	Part Name	Qty	IC	S/N	Lbs	Remarks
010	3C011-43660	ASSY CASE GEAR R	1			34.76	
030	06331-45010	PLUG	1		>=53203	0.044	
030	06331-45010	PLUG	2		<=53202	0.044	
040	04717-01000	WASHER WITH RUBBER	1		>=53203	0.002	
040	04717-01000	WASHER WITH RUBBER	2		<=53202	0.002	

FRONT AXLE CASE LH ## NOTE:ORDER BY REF.No.080 NEW PART.

Figure Num 01G224



FRONT AXLE CASE LH

Ref	Part Number	Part Name	Qty	IC	S/N	Lbs	Remarks
010	3C011-43670	ASSY CASE GEAR L	1			34.76	
020	52200-22280	BUSH	1			0.242	
030	06331-45010	PLUG	2		<=53202	0.044	
030	06331-45010	PLUG	1		>=53203	0.044	
040	04717-01000	WASHER WITH RUBBER	2		<=53202	0.002	
040	04717-01000	WASHER WITH RUBBER	1		>=53203	0.002	
050	33670-43360	SEAL OIL	1			0.22	

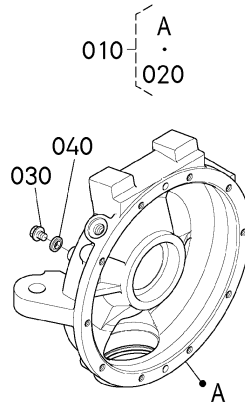
FRONT AXLE CASE LH

Ref	Part Number	Part Name	Qty	IC	S/N	Lbs	Remarks
060	08401-51107	BEARING THRUST BALL	1			0.173	
070	34550-13100	PLUG	1			0.242	
090	70155-51320	BEARING BALL	1			0.924	
100	3C011-44140	SHIM	1			0.017	0.6mm
100	3C011-44150	SHIM	1			0.024	0.8mm
100	3C011-44160	SHIM	1			0.026	1.0mm
100	3C011-44170	SHIM	1			0.035	1.2mm
100	3C011-44180	SHIM	1			0.044	1.4mm
100	3C011-44130	SHIM	1			0.011	0.4mm
110	04611-00850	CIR CLIP INTERNAL	1			0.063	
120	06331-35016	PLUG	1			0.088	
130	04717-01600	WASHER WITH RUBBER	1			0.006	

FRONT AXLE CASE LH ## NOTE:ORDER BY REF.No.080 NEW PART.

Figure Num 01G224

OLD PARTS



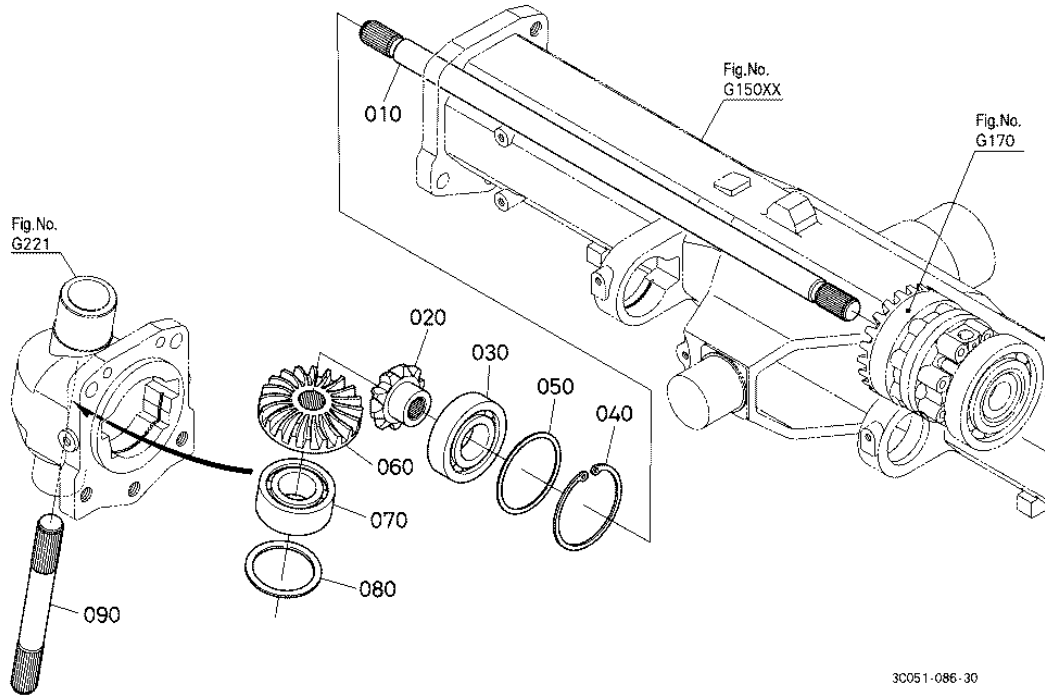
3C253-808-10

FRONT AXLE CASE LH

Ref	Part Number	Part Name	Qty	IC	S/N	Lbs	Remarks
010	3C011-43670	ASSY CASE GEAR L	1			34.76	
030	06331-45010	PLUG	1		>=53203	0.044	
030	06331-45010	PLUG	2		<=53202	0.044	
040	04717-01000	WASHER WITH RUBBER	1		>=53203	0.002	
040	04717-01000	WASHER WITH RUBBER	2		<=53202	0.002	

DIFFERENTIAL GEAR SHAFT RH

Figure Num 01G228



3C051-086-30

DIFFERENTIAL GEAR SHAFT RH

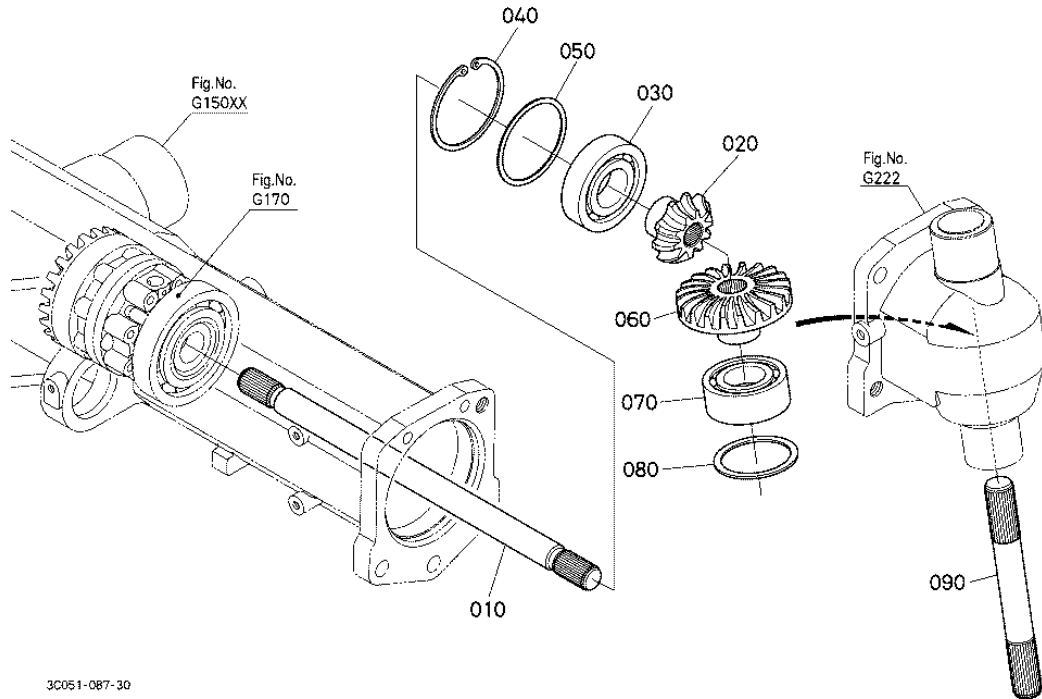
Ref	Part Number	Part Name	Qty	IC	S/N	Lbs	Remarks
010	3C011-43210	SHAFT YOKE RH	1			5.94	
020	3C011-43242	GEAR BEVEL	1			1.034	11T
030	08101-06308	BEARING BALL	1			1.399	
040	04611-00900	CIR CLIP INTERNAL	1			0.081	
050	3A021-44060	SHIM	1			0.035	1.2mm
050	3A021-44050	SHIM	1			0.030	1.0mm
050	3A021-44040	SHIM	1			0.024	0.8mm

DIFFERENTIAL GEAR SHAFT RH

Ref	Part Number	Part Name	Qty	IC	S/N	Lbs	Remarks
050	3A021-44030	SHIM	1			0.019	0.6mm
050	3A021-44020	SHIM	1			0.013	0.4mm
060	3C011-43422	GEAR BEVEL	1			2.904	20T
070	3C011-43470	BEARING BALL	1			1.32	
080	35533-43030	SHIM	1			0.008	0.4mm
080	35533-43020	SHIM	1			0.006	0.2mm
080	35533-43010	SHIM	1			0.004	0.1mm
090	3C011-43410	SHAFT BEVEL GEAR	1			2.178	

DIFFERENTIAL GEAR SHAFT LH

Figure Num 01G229



DIFFERENTIAL GEAR SHAFT LH

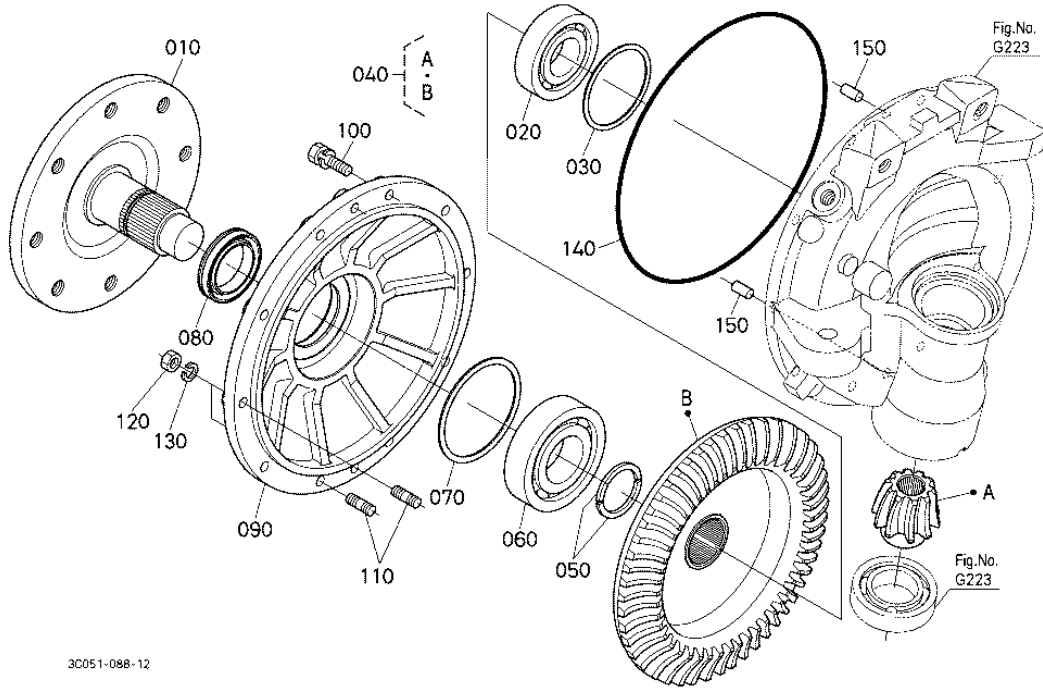
Ref	Part Number	Part Name	Qty	IC	S/N	Lbs	Remarks
010	3C011-43220	SHAFT YOKE LH	1			4.07	
020	3C011-43242	GEAR BEVEL	1			1.034	11T
030	08101-06308	BEARING BALL	1			1.399	
040	04611-00900	CIR CLIP INTERNAL	1			0.081	
050	3A021-44060	SHIM	1			0.035	1.2mm
050	3A021-44050	SHIM	1			0.030	1.0mm
050	3A021-44040	SHIM	1			0.024	0.8mm

DIFFERENTIAL GEAR SHAFT LH

Ref	Part Number	Part Name	Qty	IC	S/N	Lbs	Remarks
050	3A021-44030	SHIM	1			0.019	0.6mm
050	3A021-44020	SHIM	1			0.013	0.4mm
060	3C011-43422	GEAR BEVEL	1			2.904	20T
070	3C011-43470	BEARING BALL	1			1.32	
080	35533-43030	SHIM	1			0.008	0.4mm
080	35533-43020	SHIM	1			0.006	0.2mm
080	35533-43010	SHIM	1			0.004	0.1mm
090	3C011-43410	SHAFT BEVEL GEAR	1			2.178	

FRONT AXLE RH

Figure Num 01G241



3C051-088-12

FRONT AXLE RH

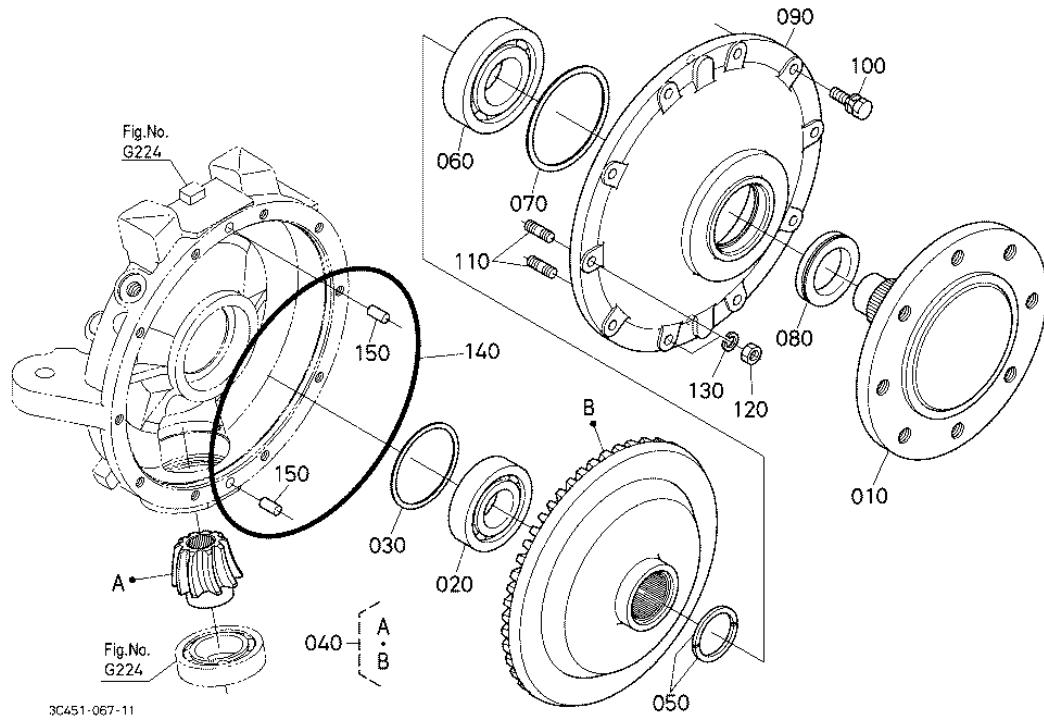
Ref	Part Number	Part Name	Qty	IC	S/N	Lbs	Remarks
010	3C011-43710	AXLE FRONT	1			16.72	
020	08101-06308	BEARING BALL	1			1.399	
030	3A021-44060	SHIM	1			0.035	1.2mm
030	3A021-44050	SHIM	1			0.030	1.0mm
030	3A021-44040	SHIM	1			0.024	0.8mm
030	3A021-44030	SHIM	1			0.019	0.6mm
030	3A021-44020	SHIM	1			0.013	0.4mm

FRONT AXLE RH

Ref	Part Number	Part Name	Qty	IC	S/N	Lbs	Remarks
030	35533-44080	SHIM	1			0.002	0.1mm
040	3C051-97040	KIT GEAR BEVEL	1			0	10-51T
050	3C011-43730	COLLAR	1			0.022	SET
060	3C011-43360	BEARING BALL	1			2.332	
070	70367-51250	SHIM	1			0.011	0.2mm
070	70367-51290	SHIM	1			0.011	0.1mm
080	6A320-56220	SEAL OIL	1			0.132	
090	3C011-43620	COVER FRONT AXLE	1		<=53202	19.58	
090	3C011-43622	COVER FRONT AXLE	1	>>	>=53203	19.58	
100	01138-51035	BOLT	8			0.059	
110	01517-61030	STUD	2			0.046	
120	02176-50100	NUT	2			0.011	
130	04512-60100	WASHER SPRING	2			0.004	
140	3C011-44290	O RING	1			0.006	
150	05012-01018	PIN STRAIGHT	2			0.026	

FRONT AXLE LH

Figure Num 01G242



FRONT AXLE LH

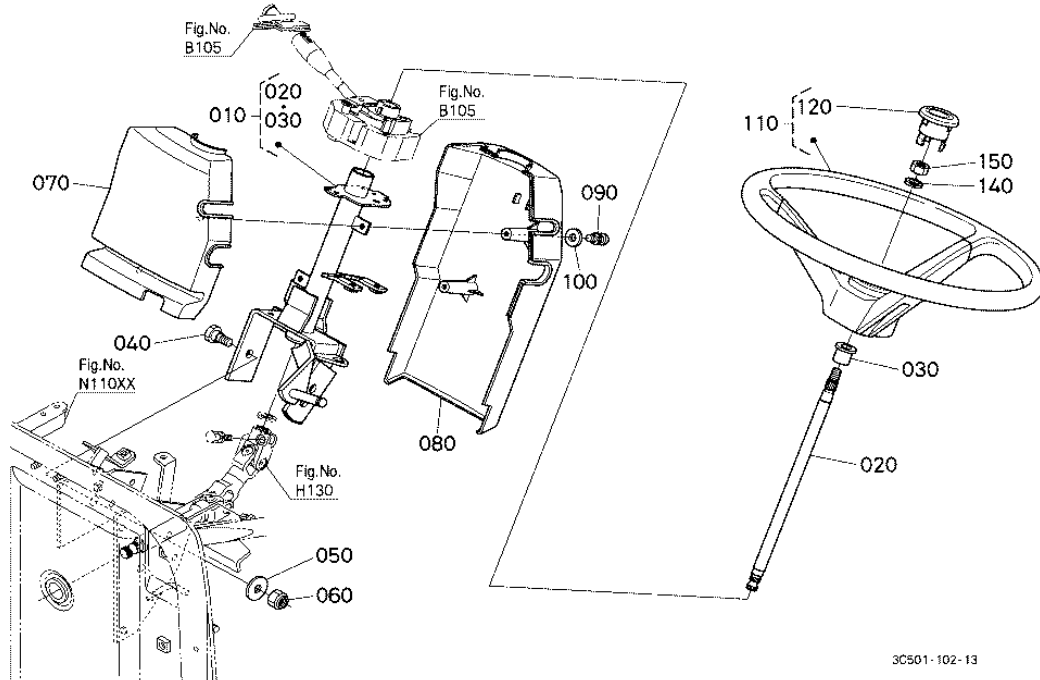
Ref	Part Number	Part Name	Qty	IC	S/N	Lbs	Remarks
010	3C011-43710	AXLE FRONT	1			16.72	
020	08101-06308	BEARING BALL	1			1.399	
030	3A021-44060	SHIM	1			0.035	1.2mm
030	3A021-44050	SHIM	1			0.030	1.0mm
030	3A021-44040	SHIM	1			0.024	0.8mm
030	3A021-44030	SHIM	1			0.019	0.6mm
030	3A021-44020	SHIM	1			0.013	0.4mm

FRONT AXLE LH

Ref	Part Number	Part Name	Qty	IC	S/N	Lbs	Remarks
030	35533-44080	SHIM	1			0.002	0.1mm
040	3C051-97040	KIT GEAR BEVEL	1			0	10-51T
050	3C011-43730	COLLAR	1			0.022	SET
060	3C011-43360	BEARING BALL	1			2.332	
070	70367-51250	SHIM	1			0.011	0.2mm
070	70367-51290	SHIM	1			0.011	0.1mm
080	6A320-56220	SEAL OIL	1			0.132	
090	3C011-43620	COVER FRONT AXLE	1		<=53202	19.58	
090	3C011-43622	COVER FRONT AXLE	1	>>	>=53203	19.58	
100	01138-51035	BOLT	8			0.059	
110	01517-61030	STUD	2			0.046	
120	02176-50100	NUT	2			0.011	
130	04512-60100	WASHER SPRING	2			0.004	
140	3C011-44290	O RING	1			0.006	
150	05012-01018	PIN STRAIGHT	2			0.026	

STEERING HANDLE

Figure Num 01H11002



3C501-102-13

STEERING HANDLE

Ref	Part Number	Part Name	Qty	IC	S/N	Lbs	Remarks
010	3C791-63344	ASSY POST STEERING	1	>>	>=52420	0	
010	3C791-63340	ASSY POST STEERING	1		<=52419	0	
020	TD060-43680	SHAFT STEERING	1			1.122	
030	37410-41340	BUSH POST	1			0.033	
040	34070-43670	BOLT	1			0.044	
050	04015-60080	WASHER PLAIN	1			0.022	
060	02552-50080	NUT LOCK	1			0.011	

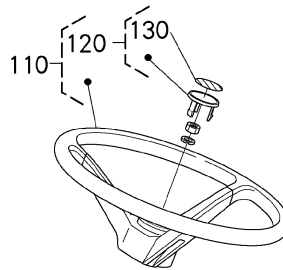
STEERING HANDLE

Ref	Part Number	Part Name	Qty	IC	S/N	Lbs	Remarks
070	3C581-43112	COVER FRONT	1	>>	>=51190	0.319	
070	3C581-43110	COVER FRONT	1		<=51189	0.319	
080	3C581-43122	COVER REAR	1	>>	>=51190	0.495	
080	3C581-43120	COVER REAR	1		<=51189	0.495	
090	03024-50516	SCREW WITH WASHER	2			0.008	
100	04012-50050	WASHER PLAIN	2			0.002	
110	3C581-62560	ASSY WHEEL STEERING	1		<=54046	5.94	
110	3C581-62562	ASSY WHEEL STEERING	1	>>	>=54047	5.94	
120	3F740-62583	PAD STEERING	1		<=54046	0.044	
120	TC230-18120	PAD STEERING	1	>>	>=54047	0.044	
140	04512-60120	WASHER SPRING	1			0.011	
150	02176-50120	NUT	1			0.022	

STEERING HANDLE

Figure Num 01H11002

OLD PARTS



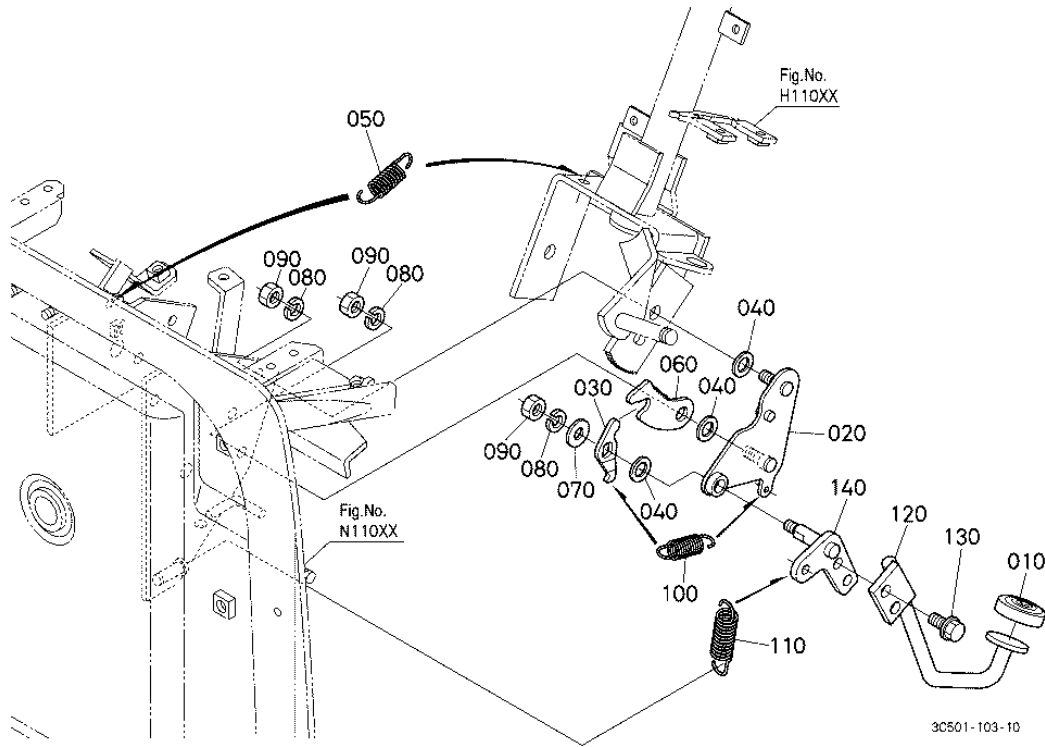
3C501-842-10

STEERING HANDLE

Ref	Part Number	Part Name	Qty	IC	S/N	Lbs	Remarks
110	3C581-62562	ASSY WHEEL STEERING	1	>>	>=54047	5.94	
110	3C581-62560	ASSY WHEEL STEERING	1		<=54046	5.94	
120	TC230-18120	PAD STEERING	1	>>	>=54047	0.044	
120	3F740-62583	PAD STEERING	1		<=54046	0.044	
130	3F740-62802	LABEL PAD	1		<=54046	0.013	

TILT PEDAL

Figure Num 01H120



TILT PEDAL

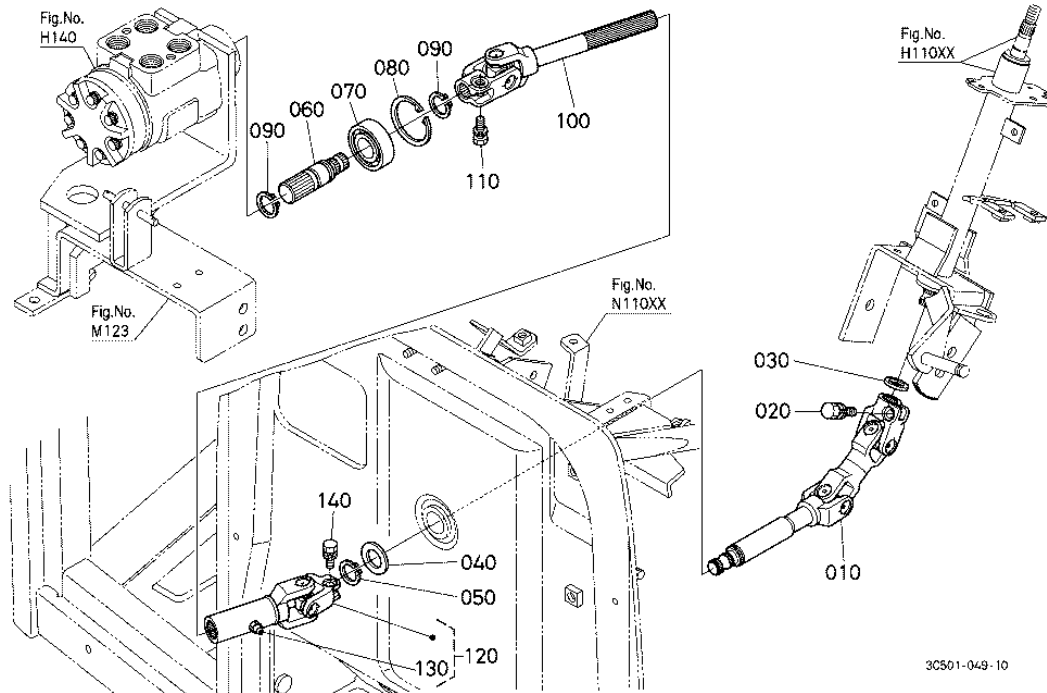
Ref	Part Number	Part Name	Qty	IC	S/N	Lbs	Remarks
010	36919-62320	RUBBER PEDAL	1			0.017	
020	3C581-43710	BRACKET TILT	1			0.308	
030	T1060-43710	LEVER TILT	1			0.044	
040	04714-00120	GASKET	3			0.002	
050	3C581-63290	SPRING TILT	1			0.11	
060	T1060-43640	ROCK TILT	1			0.121	
070	04013-60080	WASHER PLAIN	1			0.004	

TILT PEDAL

Ref	Part Number	Part Name	Qty	IC	S/N	Lbs	Remarks
080	04512-60080	WASHER SPRING	3			0.004	
090	02114-50080	NUT	3			0.011	
100	T1060-43630	SPRING	1			0.011	
110	3C081-63260	SPRING	1			0.033	
120	3C581-63260	PEDAL TILT	1			0.209	
130	01754-50816	BOLT FLANGE	2			0.024	
140	3C581-63272	PEDAL TILT	1			0.594	

STEERING JOINT

Figure Num 01H130



STEERING JOINT

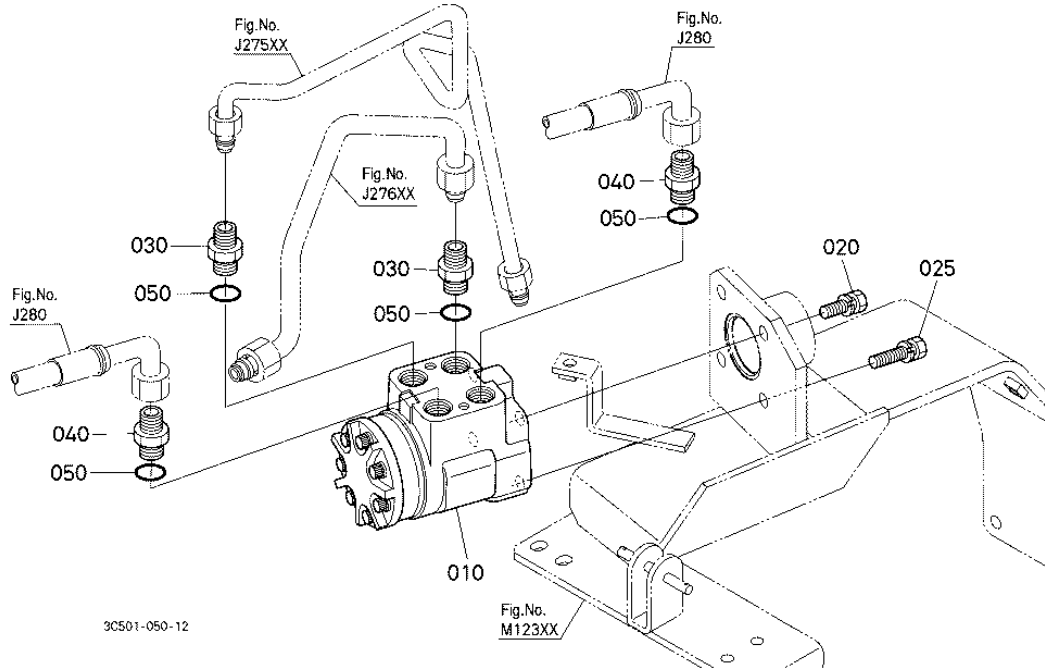
Ref	Part Number	Part Name	Qty	IC	S/N	Lbs	Remarks
010	3C581-63360	JOINT UNIVERSAL	1			1.914	
020	01123-50825	BOLT	1			0.028	
030	37410-41320	COLLAR	1			0.011	
040	04013-50200	WASHER PLAIN	1			0.044	
050	04612-00200	CIR CLIP EXTERNAL	1			0.002	
060	3G700-63380	SHAFT JOINT	1			0.308	
070	08141-06204	BEARING BALL	1			0.222	

STEERING JOINT

Ref	Part Number	Part Name	Qty	IC	S/N	Lbs	Remarks
080	04611-00470	CIR CLIP INTERNAL	1			0.013	
090	04612-00200	CIR CLIP EXTERNAL	2			0.002	
100	3C581-63420	JOINT UNIVERSAL	1			1.111	
110	01123-50825	BOLT	1			0.028	
120	3G700-63410	JOINT UNIVERSAL	1			1.276	
130	06613-10010	NIPPLE GREASE	1			0.013	
140	01123-50825	BOLT	1			0.028	

STEERING CONTROLLER

Figure Num 01H140

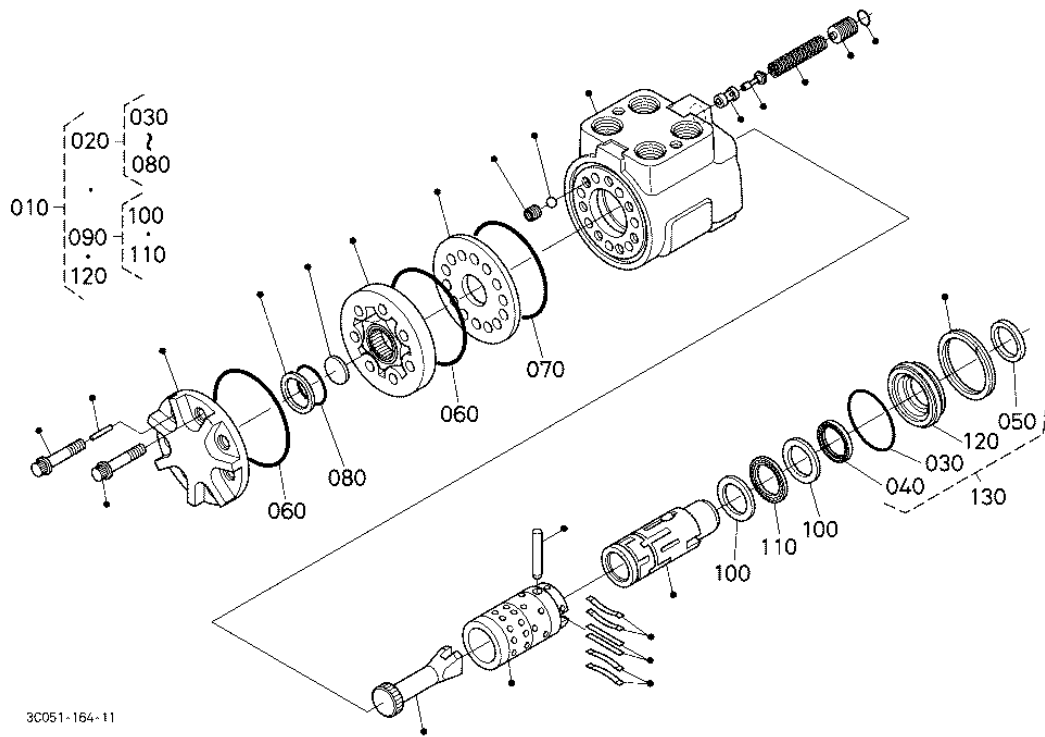


STEERING CONTROLLER

Ref	Part Number	Part Name	Qty	IC	S/N	Lbs	Remarks
010	3C001-63072	CONTROLLER STEERING	1	>>	>=51924	12.54	
010	3C001-63070	CONTROLLER STEERING	1		<=51923	0	
020	01133-51025	BOLT	2			0.050	
025	01133-51035	BOLT	2			0.066	
030	3A111-63090	JOINT PIPE	2			0.193	
040	3A111-63120	JOINT PIPE	2			0.184	
050	04816-00180	O RING	4			0.004	

STEERING CONTROLLER [COMPONENT PARTS]

Figure Num 01H150



3C051-164-11

STEERING CONTROLLER [COMPONENT PARTS]

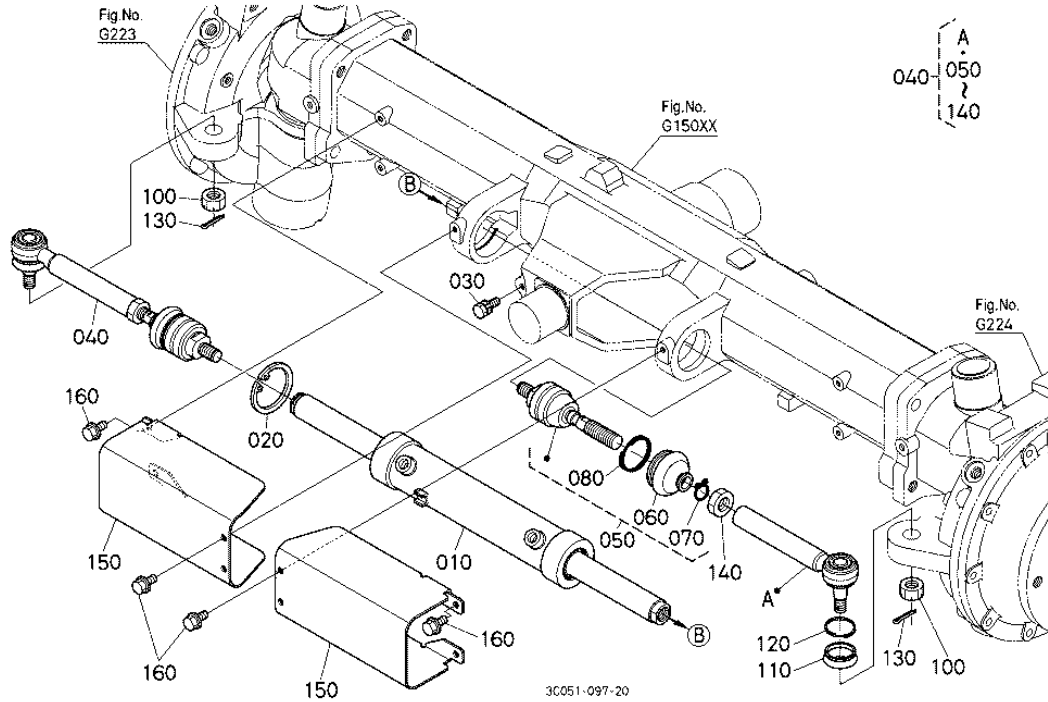
Ref	Part Number	Part Name	Qty	IC	S/N	Lbs	Remarks
010	3C001-63072	CONTROLLER STEERING	1	>>	>=51924	12.54	
010	3C001-63070	CONTROLLER STEERING	1		<=51923	0	
020	3P999-00420	KIT SEAL	1	>>	<=51924	0.022	
020	3C081-63080	KIT SEAL	1		<=51923	0.022	
030	35999-22040	O RING	1			0.011	
040	3P999-00410	SEAL OIL	1			0.006	
050	35999-22110	SEAL DUST	1			0.004	

STEERING CONTROLLER [COMPONENT PARTS]

Ref	Part Number	Part Name	Qty	IC	S/N	Lbs	Remarks
060	35999-22080	O RING	2			0.002	
070	33740-64450	O RING	1			0.002	
080	R1401-94650	O RING	1			0.002	
090	R1401-94620	KIT BEARING NEEDLE	1			0.088	
100	35999-22100	RACE BEARING	2			0.044	
110	35999-22090	NEEDLE THRUST	1			0.022	
120	3F999-02620	BUSH	1			0.22	
130	3P999-00430	KIT SEAL	1			0.22	

TIE ROD/STEERING CYLINDER

Figure Num 01H16002



TIE ROD/STEERING CYLINDER

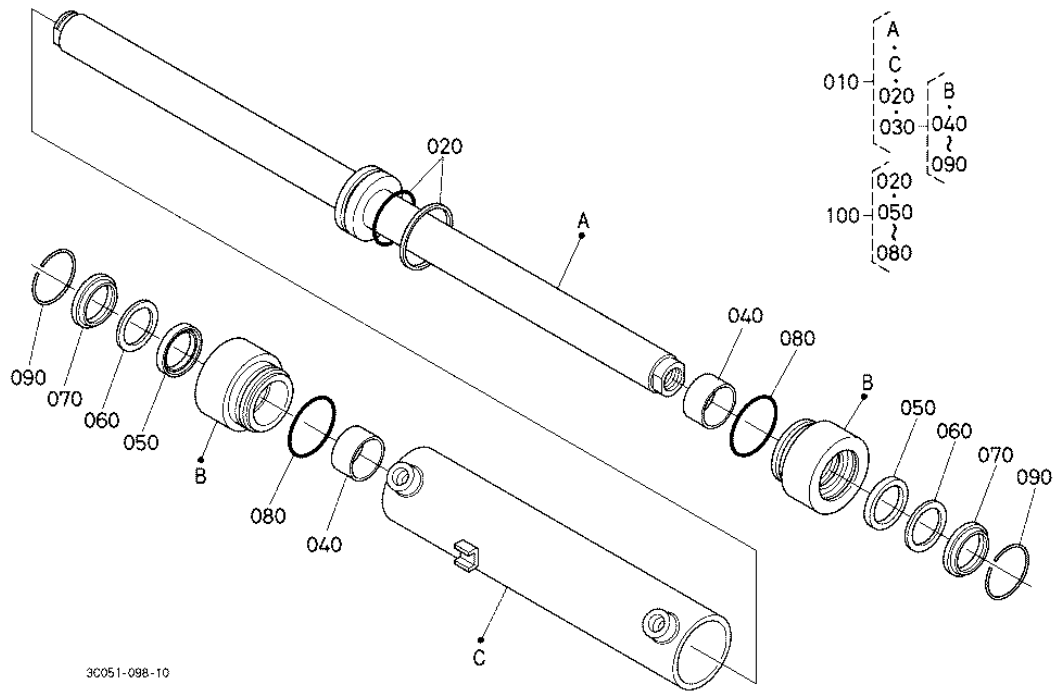
Ref	Part Number	Part Name	Qty	IC	S/N	Lbs	Remarks
010	3C011-63880	CYLINDER HYDRAULIC	1			19.8	
020	04611-00680	CIR CLIP INTERNAL	1			0.035	
030	01123-50822	BOLT	1			0.026	
040	3C011-62970	ASSY ROD TIE	2			4.62	
050	3A121-62980	END ROD	2			2.288	
060	35533-62850	COVER DUST	2			0.044	
070	35533-62820	CLIP	2			0.006	

TIE ROD/STEERING CYLINDER

Ref	Part Number	Part Name	Qty	IC	S/N	Lbs	Remarks
080	35533-62860	RING SET	2			0.011	
100	35860-62750	NUT	2			0.088	
110	35860-62852	COVER DUST	2			0.030	
120	36280-62860	CLIP	2			0.004	
130	05511-50335	PIN SPLIT	2			0.004	
140	02172-50200	NUT	2			0.066	
150	3C011-64010	COVER	2			3.96	
160	01754-50816	BOLT FLANGE	6			0.024	

STEERING CYLINDER [COMPONENT PARTS]

Figure Num 01H16502



3C051-098-10

STEERING CYLINDER [COMPONENT PARTS]

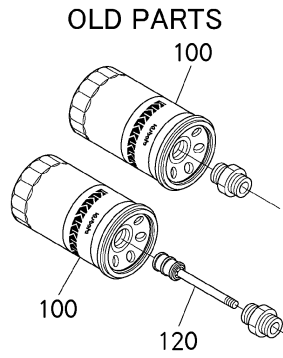
Ref	Part Number	Part Name	Qty	IC	S/N	Lbs	Remarks
010	3C011-63880	CYLINDER HYDRAULIC	1			19.8	
020	TD060-37570	SEAL PISTON	1			0.022	
030	TD060-37840	ASSY END ROD	2			1.54	
040	TD060-37920	BUSH	2			0.070	
050	TD060-37560	SEAL ROD	2			0.011	
060	TD060-37930	RING BACK UP	2			0.011	
070	TD060-37580	SEAL DUST	2			0.035	

STEERING CYLINDER [COMPONENT PARTS]

Ref	Part Number	Part Name	Qty	IC	S/N	Lbs	Remarks
080	TD060-37940	O RING	2			0.004	
090	TD060-37960	RING SNAP	2			0.006	
100	TD060-37950	KIT SEAL	1			0.140	OPTION

HYDRAULIC PUMP

Figure Num 01J130



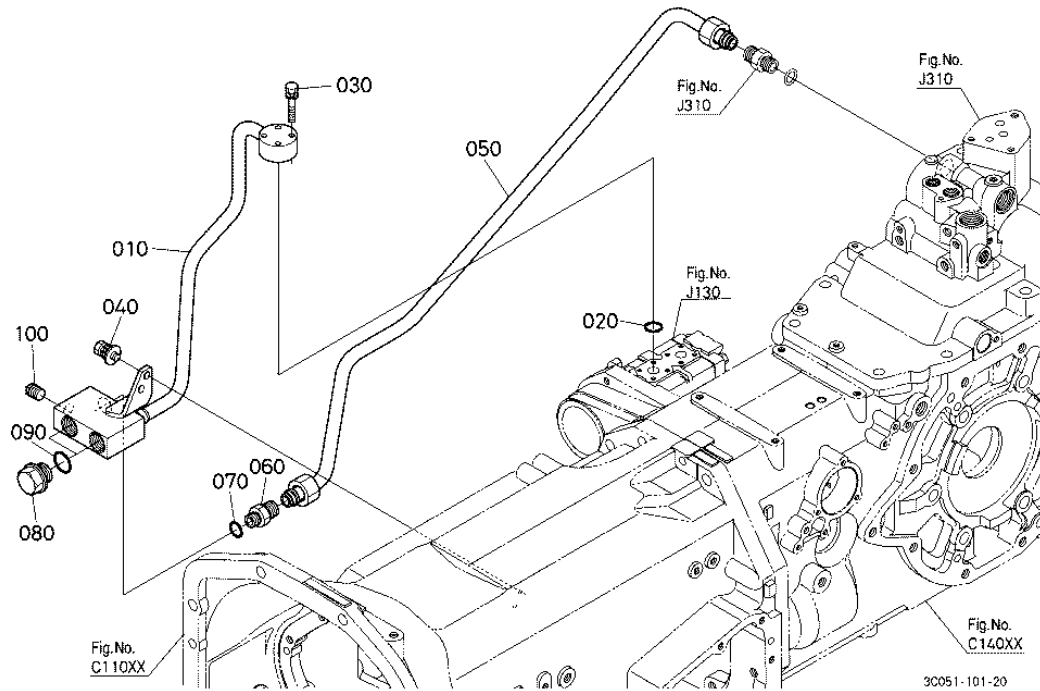
3C051-839-11

HYDRAULIC PUMP

Ref	Part Number	Part Name	Qty	IC	S/N	Lbs	Remarks
100	HHTA0-37710	ASSY FILTER OIL	2	>>		1.606	
100	HH330-82630	FILTER	2	>>		1.54	
100	33960-82630	FILTER	2			1.43	
120	33960-82640	MAGNET FILTER	1		<=54754	0.176	

HYDRAULIC PIPE (DELIVERY)

Figure Num 01J220



HYDRAULIC PIPE (DELIVERY)

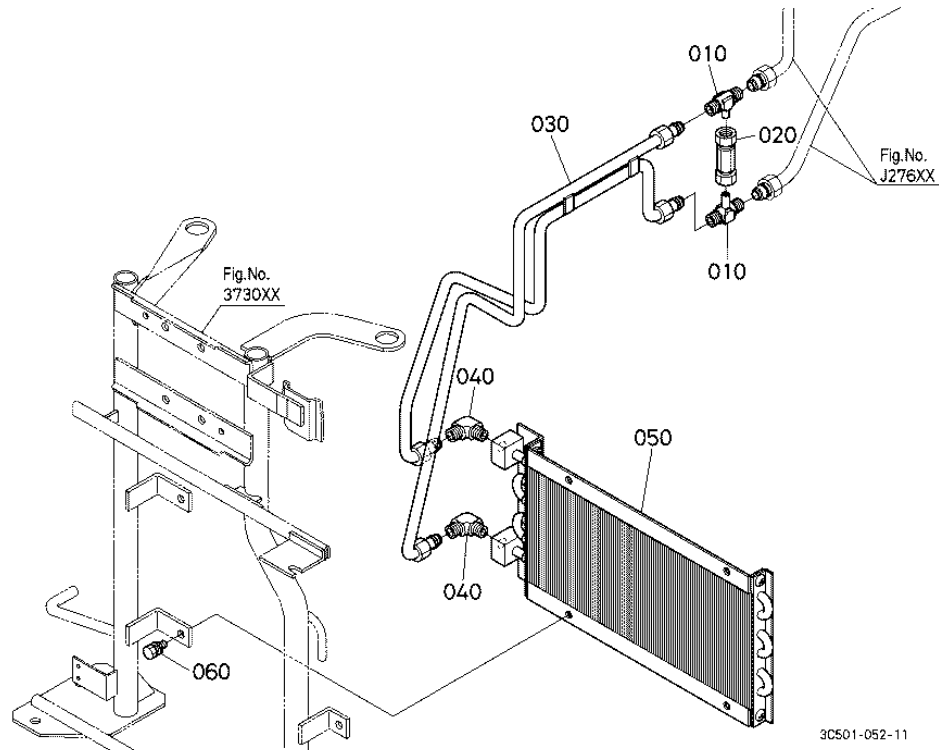
Ref	Part Number	Part Name	Qty	IC	S/N	Lbs	Remarks
010	3C001-82735	COMP.PIPE DELIVERY	1			3.96	
020	35880-63650	O RING	1			0.002	
030	01023-60640	BOLT	4			0.022	
040	01125-60820	BOLT	2			0.033	
050	3C001-82742	COMP.PIPE DELIVERY	1			1.32	
060	06012-51543	JOINT PIPE	1			0.176	
070	04816-00180	O RING	1			0.004	

HYDRAULIC PIPE (DELIVERY)

Ref	Part Number	Part Name	Qty	IC	S/N	Lbs	Remarks
080	3C081-82760	PLUG DELIVERY	2			0.352	
090	04816-00240	O RING	2			0.006	
100	06312-10030	PLUG	1			0.063	

OIL COOLER ## NOTE:ORDER BY REF.No.030 and Fig.No.373001 or 373002 or 373003 REF.No.050 NEW PARTS.

Figure Num 01J26501



OIL COOLER

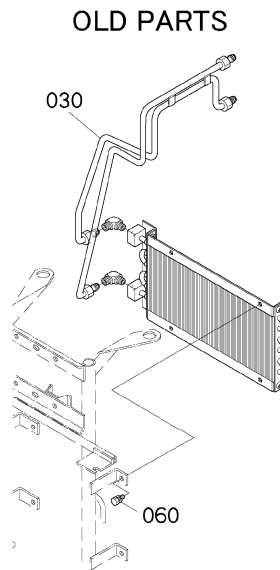
Ref	Part Number	Part Name	Qty	IC	S/N	Lbs	Remarks
010	3A091-18310	JOINT T-PIPE	2			0.178	
020	3A091-18290	VALVE CHECK O/C	1			0.288	
030	3C001-18280	COMP.PIPE OILCOOLER	1	>>	>=50513	1.65	
030	3C711-18280	COMP.PIPE OILCOOLER	1		<=50512	0	SEE NOTE
040	06014-51223	JOINT	2			0.132	
050	3C081-18100	COOLER OIL	1			3.41	

OIL COOLER

Ref	Part Number	Part Name	Qty	IC	S/N	Lbs	Remarks
060	01123-60816	BOLT	3		>=50513	0.022	
060	01123-60816	BOLT	4		<=50512	0.022	

OIL COOLER ## NOTE:ORDER BY REF.No.030 and Fig.No.373001 or 373002
or 373003 REF.No.050 NEW PARTS.

Figure Num 01J26501



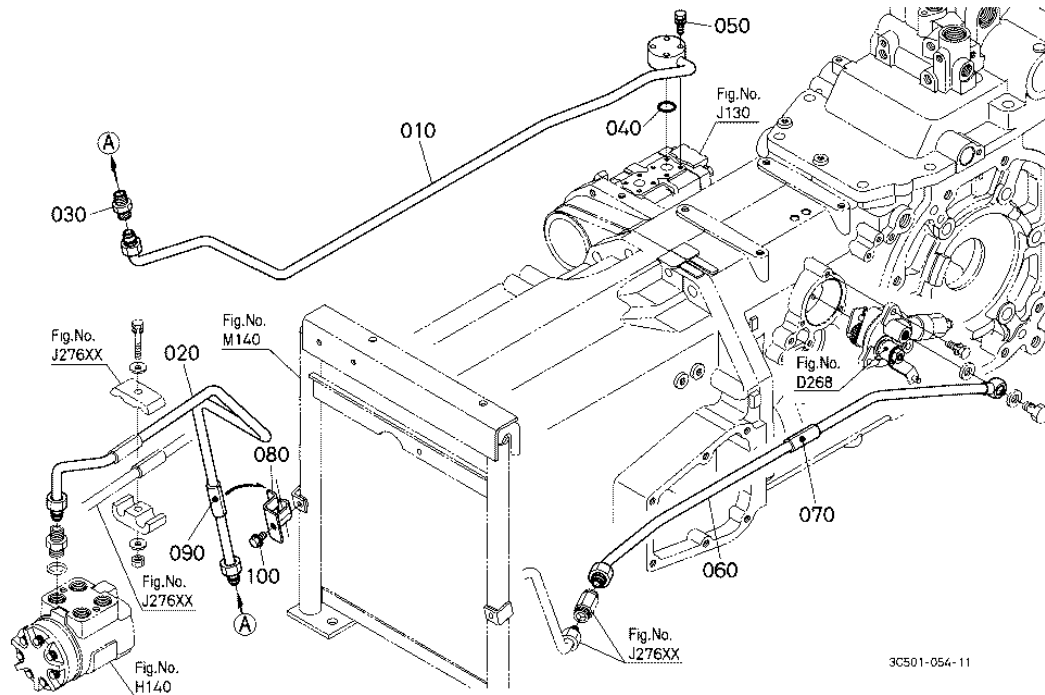
3C501-804-10

OIL COOLER

Ref	Part Number	Part Name	Qty	IC	S/N	Lbs	Remarks
030	3C001-18280	COMP.PIPE OILCOOLER	1	>>	>=50513	1.65	
030	3C711-18280	COMP.PIPE OILCOOLER	1		<=50512	0	SEE NOTE
060	01123-60816	BOLT	3		>=50513	0.022	
060	01123-60816	BOLT	4		<=50512	0.022	

HYDRAULIC OIL LINE (STEERING/PTO)

Figure Num 01J275



HYDRAULIC OIL LINE (STEERING/PTO)

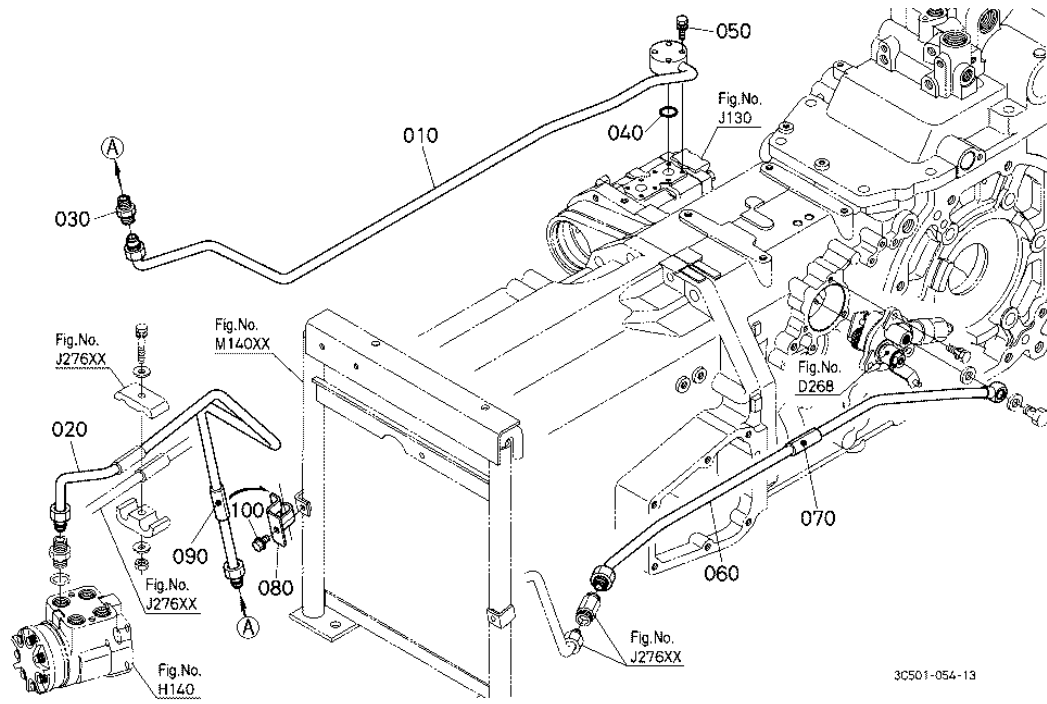
Ref	Part Number	Part Name	Qty	IC	S/N	Lbs	Remarks
010	3C501-63230	COMP.PIPE POWER STRG	1			1.54	
020	3C501-63242	COMP.PIPE POWER STRG	1	>>	>=51190	0.924	
020	3C501-63240	COMP.PIPE POWER STRG	1		<=51189	0.924	
030	06013-51203	JOINT PIPE	1			0.077	
040	35880-63650	O RING	1			0.002	
050	01023-50635	BOLT	4			0.022	
060	3C001-27600	COMP.PIPE PTO	1			0.748	

HYDRAULIC OIL LINE (STEERING/PTO)

Ref	Part Number	Part Name	Qty	IC	S/N	Lbs	Remarks
070	32771-33590	TUBE PIPE	1			0.019	
080	T1270-33580	SUPPORT P/S PIPE	1			0.154	
090	T1270-33590	TUBE PS PIPE	1			0.013	
100	01754-50812	BOLT FLANGE	1			0.022	

HYDRAULIC OIL LINE (STEERING/PTO) [OLD TYPE] ## S.No.;<=54787

Figure Num 01J27502



3C501-054-13

HYDRAULIC OIL LINE (STEERING/PTO) [OLD TYPE]

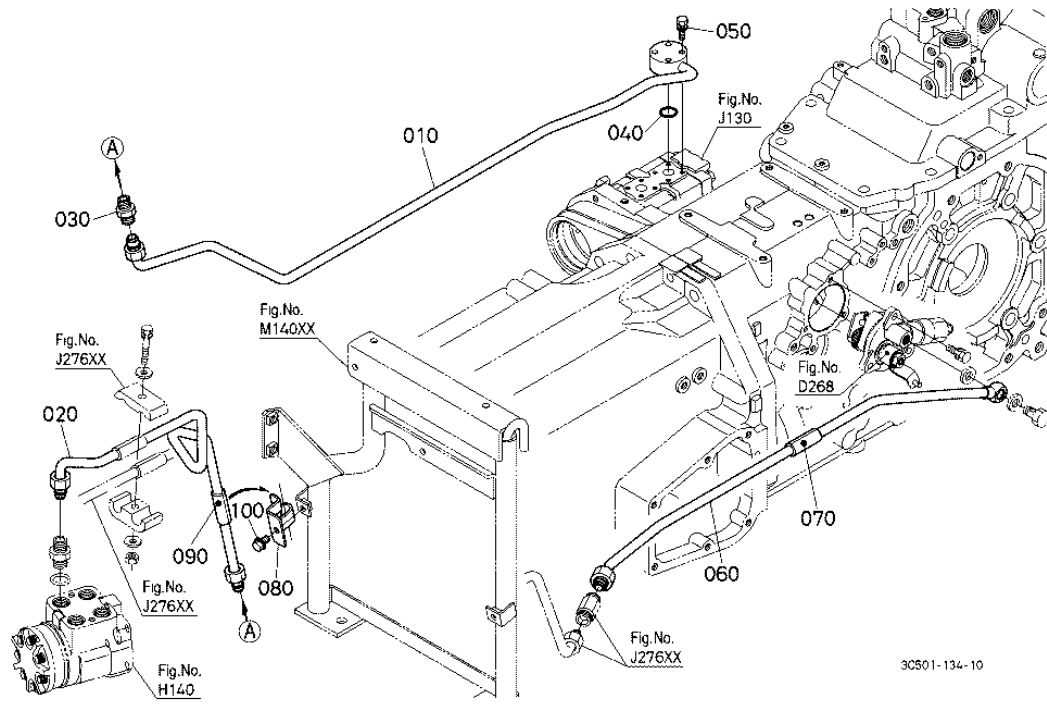
Ref	Part Number	Part Name	Qty	IC	S/N	Lbs	Remarks
010	3C501-63230	COMP.PIPE POWER STRG	1			1.54	
020	3C501-63242	COMP.PIPE POWER STRG	1	>>	>=51190	0.924	
020	3C501-63240	COMP.PIPE POWER STRG	1		<=51189	0.924	
030	06013-51203	JOINT PIPE	1			0.077	
040	35880-63650	O RING	1			0.002	
050	01023-50635	BOLT	4			0.022	
060	3C001-27600	COMP.PIPE PTO	1			0.748	

HYDRAULIC OIL LINE (STEERING/PTO) [OLD TYPE]

Ref	Part Number	Part Name	Qty	IC	S/N	Lbs	Remarks
070	32771-33590	TUBE PIPE	1			0.019	
080	T1270-33580	SUPPORT P/S PIPE	1			0.154	
090	T1270-33590	TUBE PS PIPE	1			0.013	
100	01754-50812	BOLT FLANGE	1			0.022	

HYDRAULIC OIL LINE (STEERING/PTO) [NEW TYPE] ## S.No.;>=80001

Figure Num 01J27503



HYDRAULIC OIL LINE (STEERING/PTO) [NEW TYPE]

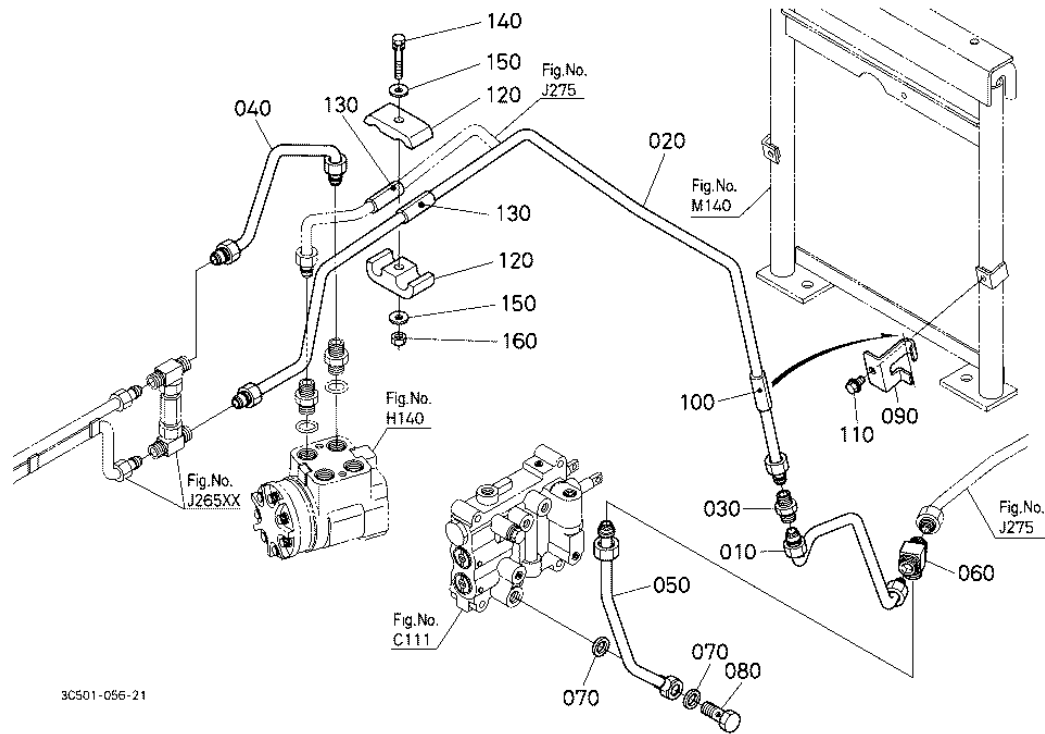
Ref	Part Number	Part Name	Qty	IC	S/N	Lbs	Remarks
010	3C501-63230	COMP.PIPE POWER STRG	1			1.54	
020	3C754-63240	COMP.PIPE POWER STRG	1			0	
030	06013-51203	JOINT PIPE	1			0.077	
040	35880-63650	O RING	1			0.002	
050	01023-50635	BOLT	4			0.022	
060	3C001-27600	COMP.PIPE PTO	1			0.748	
070	32771-33590	TUBE PIPE	1			0.019	

HYDRAULIC OIL LINE (STEERING/PTO) [NEW TYPE]

Ref	Part Number	Part Name	Qty	IC	S/N	Lbs	Remarks
080	T1270-33580	SUPPORT P/S PIPE	1			0.154	
090	T1270-33590	TUBE PS PIPE	1			0.013	
100	01754-50812	BOLT FLANGE	1			0.022	

HYDRAULIC OIL LINE (SHUTTLE/CONTROLLER) ## NOTE:ORDER BY REF.No.040, Fig.No.M123 REF.No.010,020 and Fig.No.140 REF.No.050,070 NEW PARTS.

Figure Num 01J27602



3C501-056-21

HYDRAULIC OIL LINE (SHUTTLE/CONTROLLER)

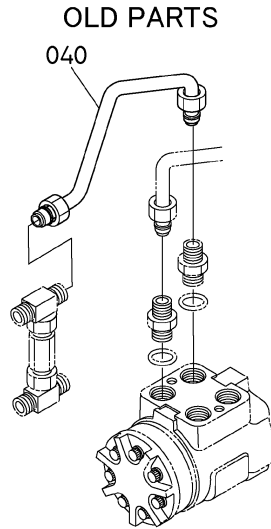
Ref	Part Number	Part Name	Qty	IC	S/N	Lbs	Remarks
010	3C711-62253	COMP.PIPE SHUTTLE	1			0.462	
020	3C711-62260	COMP.PIPE SHUTTLE	1			1.32	
030	06013-51203	JOINT PIPE	1			0.077	
040	3C711-62270	COMP.PIPE CONTROLLER	1		<=52419	0.374	SEE NOTE
040	3C711-62272	COMP.PIPE CONTROLLER	1	NI	>=52420	0.374	
050	3C001-23860	COMP.PIPE SHUTTLE	1			0.374	

HYDRAULIC OIL LINE (SHUTTLE/CONTROLLER)

Ref	Part Number	Part Name	Qty	IC	S/N	Lbs	Remarks
060	3A231-18180	JOINT T-PIPE	1			0.173	
070	04714-00200	GASKET	2			0.004	
080	34076-66590	BOLT JOINT	1			0.11	
090	T1270-33580	SUPPORT P/S PIPE	1			0.154	
100	T1270-33590	TUBE PS PIPE	1			0.013	
110	01754-50812	BOLT FLANGE	1			0.022	
120	66711-36140	CLAMP PIPE	2			0.015	
130	31351-45270	PIPE RUBBER	2			0.011	
140	01023-60640	BOLT	1			0.022	
150	04015-60060	WASHER PLAIN	2			0.011	
160	02012-60060	NUT	1			0.011	

HYDRAULIC OIL LINE (SHUTTLE/CONTROLLER) ## NOTE:ORDER BY
 REF.No.040, Fig.No.M123 REF.No.010,020 and Fig.No.140 REF.No.050,070
 NEW PARTS.

Figure Num 01J27602



3C501-826-10

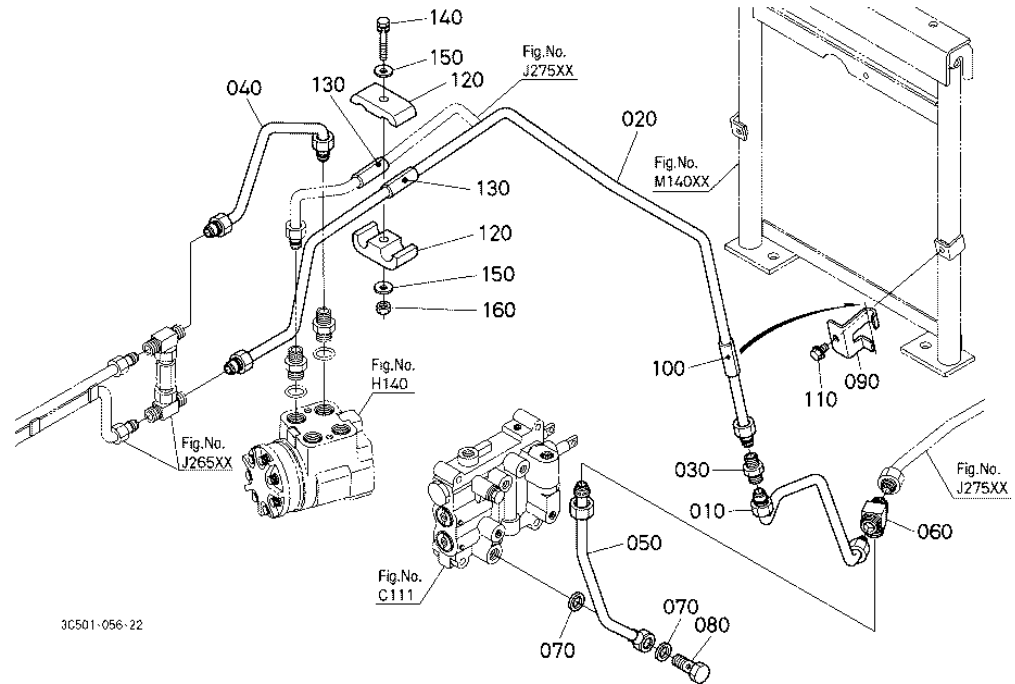
HYDRAULIC OIL LINE (SHUTTLE/CONTROLLER)

Ref	Part Number	Part Name	Qty	IC	S/N	Lbs	Remarks
040	3C711-62272	COMP.PIPE CONTROLLER	1	NI	>=52420	0.374	
040	3C711-62270	COMP.PIPE CONTROLLER	1		<=52419	0.374	SEE NOTE

HYDRAULIC OIL LINE (SHUTTLE/CONTROLLER) [OLD TYPE] ## S.No.;<=54787

Figure Num 01J27603

NOTE:ORDER BY REF. No. 040, Fig. No. M12301 REF. No. 010, 020 and Fig. No. M14001 REF. No. 050, 070 NEW PARTS.



HYDRAULIC OIL LINE (SHUTTLE/CONTROLLER) [OLD TYPE]

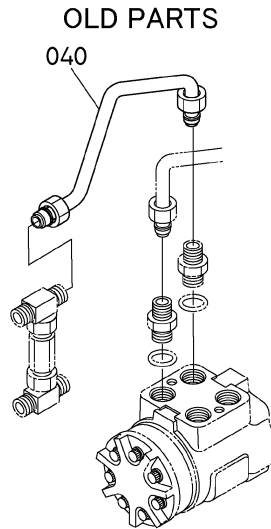
Ref	Part Number	Part Name	Qty	IC	S/N	Lbs	Remarks
010	3C711-62253	COMP.PIPE SHUTTLE	1			0.462	
020	3C711-62260	COMP.PIPE SHUTTLE	1			1.32	
030	06013-51203	JOINT PIPE	1			0.077	
040	3C711-62270	COMP.PIPE CONTROLLER	1		<=52419	0.374	SEE NOTE
040	3C711-62272	COMP.PIPE CONTROLLER	1	NI	>=52420	0.374	
050	3C001-23860	COMP.PIPE SHUTTLE	1			0.374	

HYDRAULIC OIL LINE (SHUTTLE/CONTROLLER) [OLD TYPE]

Ref	Part Number	Part Name	Qty	IC	S/N	Lbs	Remarks
060	3A231-18180	JOINT T-PIPE	1			0.173	
070	04714-00200	GASKET	2			0.004	
080	34076-66590	BOLT JOINT	1			0.11	
090	T1270-33580	SUPPORT P/S PIPE	1			0.154	
100	T1270-33590	TUBE PS PIPE	1			0.013	
110	01754-50812	BOLT FLANGE	1			0.022	
120	66711-36140	CLAMP PIPE	2			0.015	
130	31351-45270	PIPE RUBBER	2		<=52638	0.011	
130	3C001-63330	TUBE PIPE	2	>>	>=52639	0.039	
140	01023-60640	BOLT	1			0.022	
150	04015-60060	WASHER PLAIN	2			0.011	
160	02012-60060	NUT	1			0.011	

HYDRAULIC OIL LINE (SHUTTLE/CONTROLLER) [OLD TYPE] ##
 S.No.;<=54787

Figure Num 01J27603



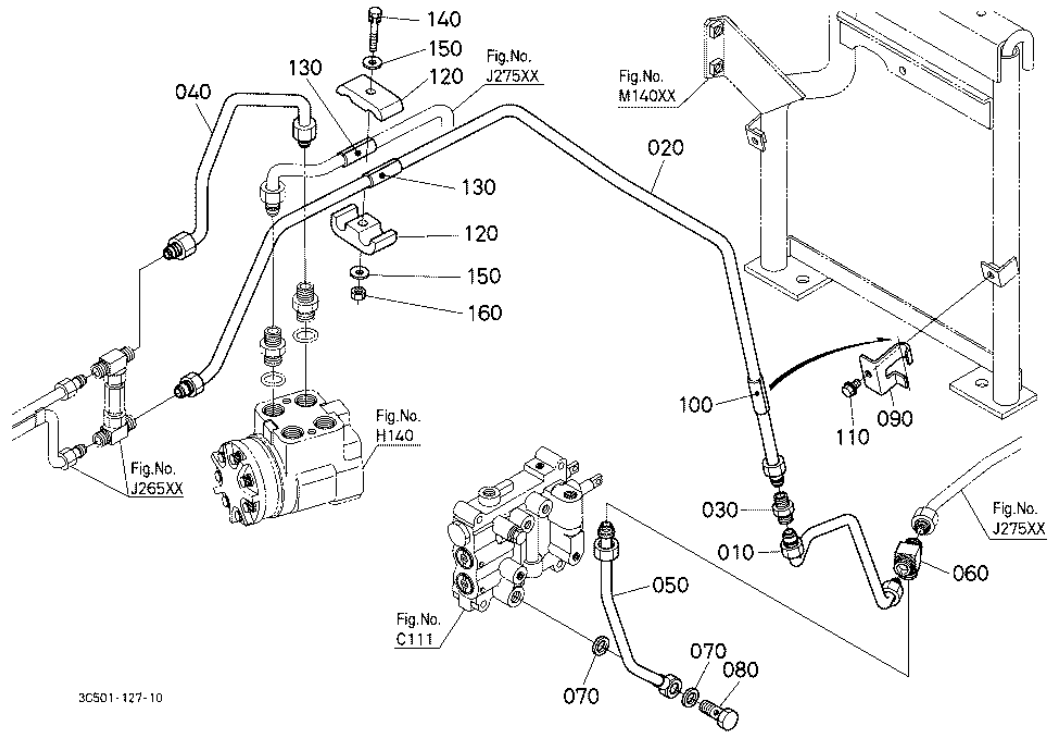
3C501-826-10

HYDRAULIC OIL LINE (SHUTTLE/CONTROLLER) [OLD TYPE]

Ref	Part Number	Part Name	Qty	IC	S/N	Lbs	Remarks
040	3C711-62272	COMP.PIPE CONTROLLER	1	NI	>=52420	0.374	
040	3C711-62270	COMP.PIPE CONTROLLER	1		<=52419	0.374	SEE NOTE

HYDRAULIC OIL LINE (SHUTTLE/CONTROLLER) [NEW TYPE] ##
S.No.;>=80001

Figure Num 01J27604



3C501-127-10

HYDRAULIC OIL LINE (SHUTTLE/CONTROLLER) [NEW TYPE]

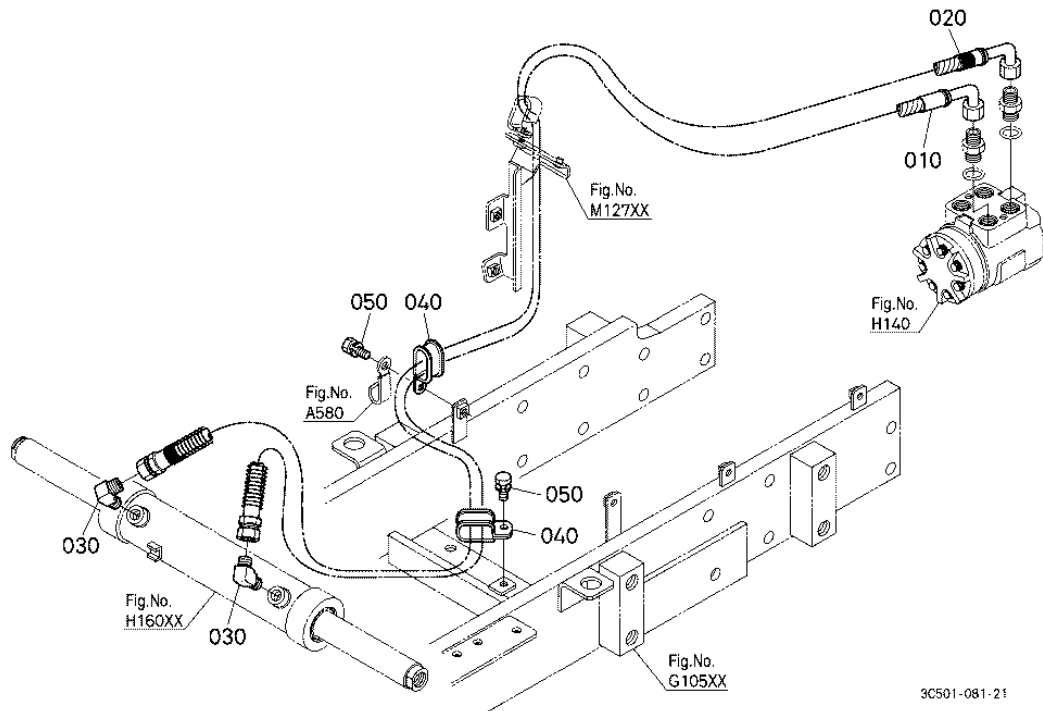
Ref	Part Number	Part Name	Qty	IC	S/N	Lbs	Remarks
010	3C711-62253	COMP.PIPE SHUTTLE	1			0.462	
020	3C502-62260	COMP.PIPE SHUTTLE	1			0	
030	06013-51203	JOINT PIPE	1			0.077	
040	3C502-62270	COMP.PIPE CONTROLLER	1			0	
050	3C001-23860	COMP.PIPE SHUTTLE	1			0.374	
060	3A231-18180	JOINT T-PIPE	1			0.173	

HYDRAULIC OIL LINE (SHUTTLE/CONTROLLER) [NEW TYPE]

Ref	Part Number	Part Name	Qty	IC	S/N	Lbs	Remarks
070	04714-00200	GASKET	2			0.004	
080	34076-66590	BOLT JOINT	1			0.11	
090	T1270-33580	SUPPORT P/S PIPE	1			0.154	
100	T1270-33590	TUBE PS PIPE	1			0.013	
110	01754-50812	BOLT FLANGE	1			0.022	
120	66711-36140	CLAMP PIPE	2			0.015	
130	3C001-63330	TUBE PIPE	2			0.039	
140	01023-60640	BOLT	1			0.022	
150	04015-60060	WASHER PLAIN	2			0.011	
160	02012-60060	NUT	1			0.011	

STEERING HOSE (DELIVERY)

Figure Num 01J280



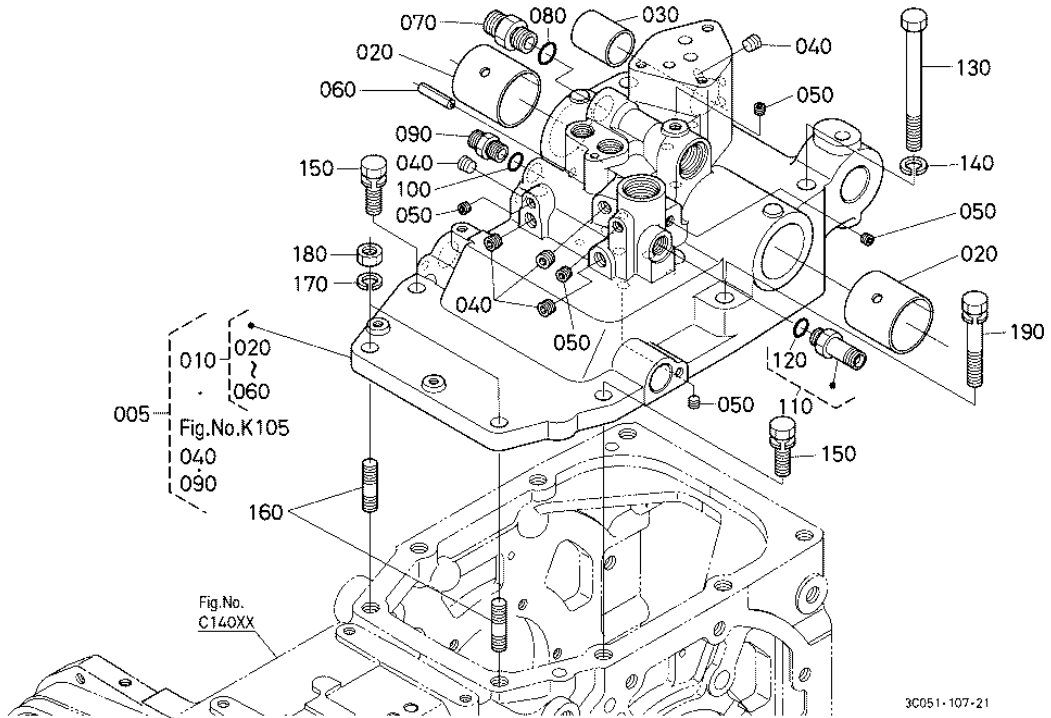
3C501-081-21

STEERING HOSE (DELIVERY)

Ref	Part Number	Part Name	Qty	IC	S/N	Lbs	Remarks
010	3C501-63350	HOSE DELIVERY	1			1.408	
020	3C501-63360	HOSE DELIVERY	1			1.474	
030	56713-28130	ADAPTER CYLINDER	2			0.114	
040	T0270-50230	CLAMP HOSE	2			0.046	
050	01123-50820	BOLT	2			0.024	

HYDRAULIC CYLINDER

Figure Num 01J310



HYDRAULIC CYLINDER

Ref	Part Number	Part Name	Qty	IC	S/N	Lbs	Remarks
005	3C001-97060	KIT CASE COVER	1			0	
010	3C001-82124	ASSY CASE COVER	1		<=52299	0	ORDER BY REF.No.00
010	3C001-82125	ASSY CASE COVER	1	>>	>=52300	43.34	ORDER BY REF.No.00
010	3C001-82127	ASSY CASE COVER	1	>>	>=53106	0.002	
020	3C001-82410	BUSH	2			0.264	
030	52600-23190	BUSH	1			0.088	
040	36741-94022	PLUG TAPER	5			0.022	

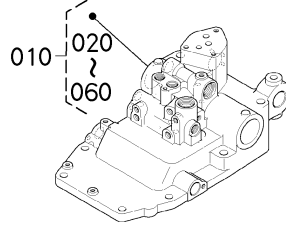
HYDRAULIC CYLINDER

Ref	Part Number	Part Name	Qty	IC	S/N	Lbs	Remarks
050	31351-37160	PLUG	5			0.006	
060	05411-00825	PIN SPRING	1			0.013	
070	06012-51543	JOINT PIPE	1	=		0.176	
070	3A011-82930	JOINT PIPE	1			0.198	
080	04817-00180	O RING	1			0.006	
090	06112-53033	JOINT PIPE	1			0.132	
100	04817-00140	O RING	2			0.002	
110	RB238-61430	JOINT PIPE	1			0.176	
120	04817-00140	O RING	1			0.002	
130	01176-51404	BOLT	2			0.308	
140	04512-60140	WASHER SPRING	2			0.017	
150	01138-51440	BOLT	2			0.044	
160	01517-61435	STUD	2			0.132	
170	04512-60140	WASHER SPRING	2			0.017	
180	02176-50140	NUT	2			0.030	
190	01138-51470	BOLT	2			0.22	

HYDRAULIC CYLINDER

Figure Num 01J310

OLD PARTS



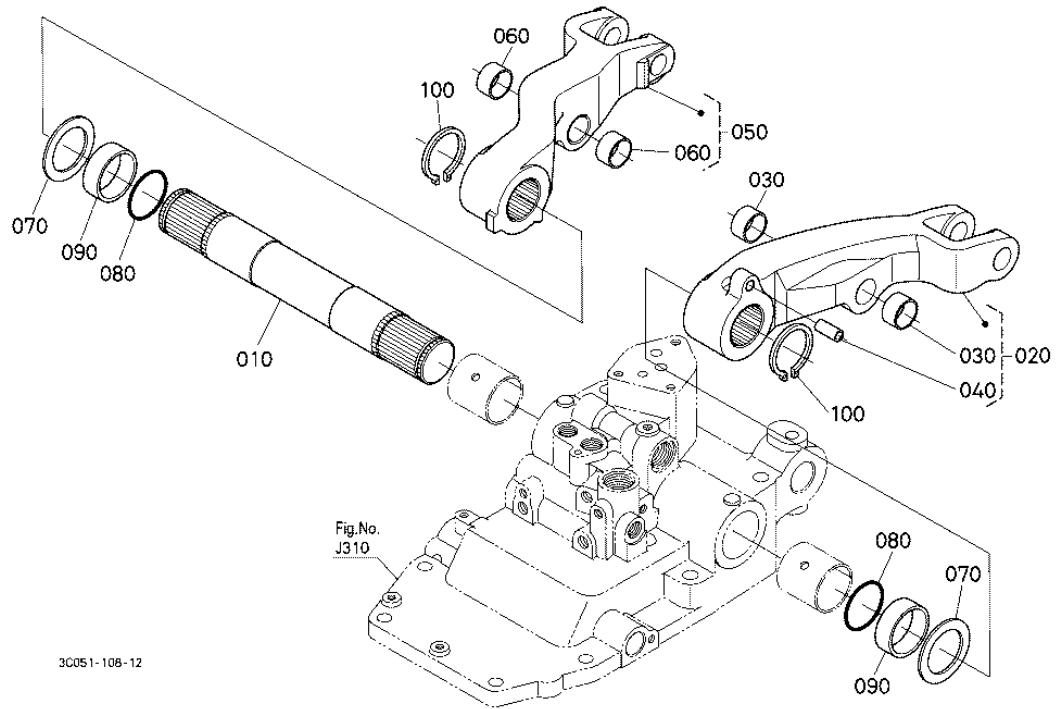
3C211-811-10

HYDRAULIC CYLINDER

Ref	Part Number	Part Name	Qty	IC	S/N	Lbs	Remarks
010	3C001-82127	ASSY CASE COVER	1	>>	>=53106	0.002	
010	3C001-82125	ASSY CASE COVER	1	>>	>=52300	43.34	ORDER BY REF.No.00
010	3C001-82124	ASSY CASE COVER	1		<=52299	0	ORDER BY REF.No.00

HYDRAULIC LIFT ARM

Figure Num 01J315



HYDRAULIC LIFT ARM

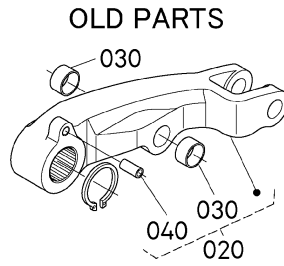
Ref	Part Number	Part Name	Qty	IC	S/N	Lbs	Remarks
010	3C001-82830	SHAFT LIFT ARM	1			9.02	
020	3C001-82963	ASSY ARM LIFT LH	1	>>	>=52300	10.78	
020	3C001-82962	ASSY ARM LIFT LH	1		<=52299	0	
030	T1060-34270	BUSH	2			0.024	
040	08511-00812	BUSH	1			0.004	
050	3C001-82952	ASSY ARM LIFT RH	1			10.78	
060	T1060-34270	BUSH	2			0.024	

HYDRAULIC LIFT ARM

Ref	Part Number	Part Name	Qty	IC	S/N	Lbs	Remarks
070	3G700-82180	COLLAR THRUST	2			0.048	
080	04816-50450	O RING	2			0.002	
090	32590-37480	COLLAR	2			0.011	
100	04612-00450	CIR CLIP EXTERNAL	2	NI	>=52150	0.015	
100	04612-00420	CIR CLIP EXTERNAL	2		<=52149	0.013	

HYDRAULIC LIFT ARM

Figure Num 01J315



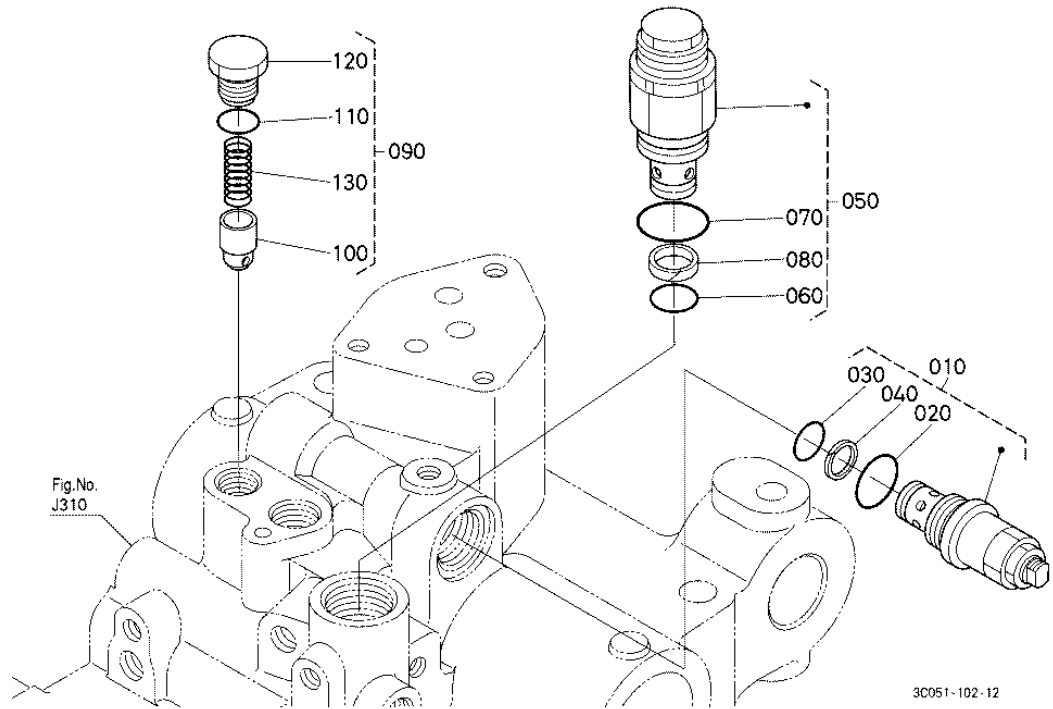
3C051-820-10

HYDRAULIC LIFT ARM

Ref	Part Number	Part Name	Qty	IC	S/N	Lbs	Remarks
020	3C001-82963	ASSY ARM LIFT LH	1	>>	>=52300	10.78	
020	3C001-82962	ASSY ARM LIFT LH	1		<=52299	0	
030	T1060-34270	BUSH	2			0.024	
040	08511-00812	BUSH	1			0.004	

SAFETY VALVE/RELIEF VALVE

Figure Num 01J317



SAFETY VALVE/RELIEF VALVE

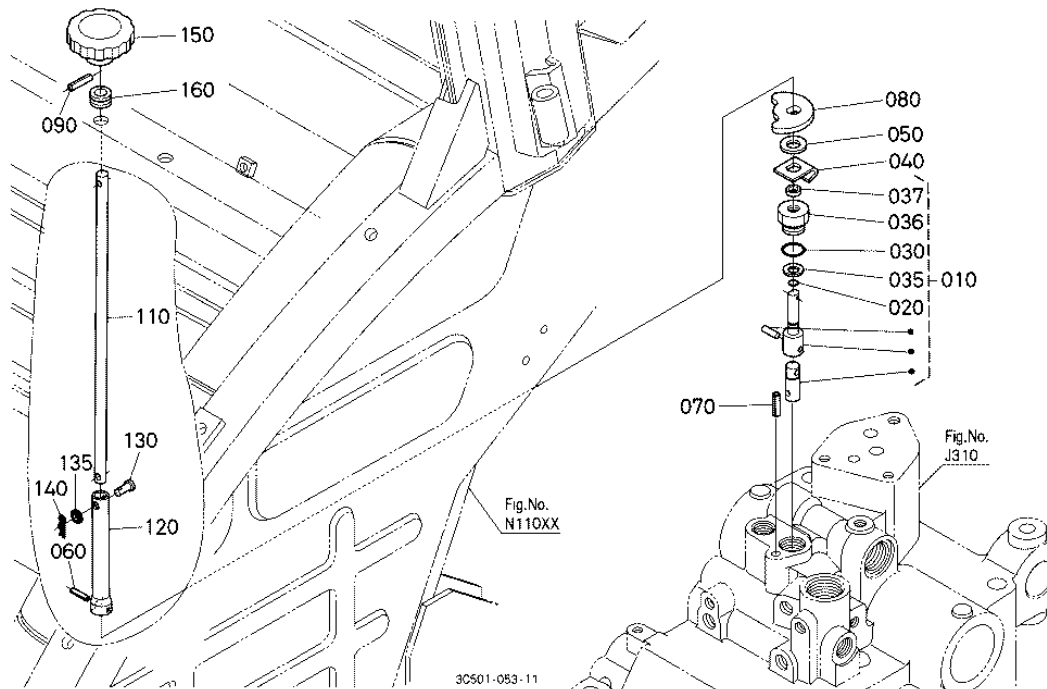
Ref	Part Number	Part Name	Qty	IC	S/N	Lbs	Remarks
010	YR577-00100	ASSY VALVE RELIEF	1	=		0.374	
010	3A121-82360	ASSY VALVE RELIEF	1			0.374	
020	04817-00220	O RING	1			0.002	
030	04817-05150	O RING	1			0.002	
040	67810-38370	RING BACK UP	1			0.002	
050	YR827-00100	ASSY VALVE SAFETY	1			0.858	
060	04817-00160	O RING	1			0.002	

SAFETY VALVE/RELIEF VALVE

Ref	Part Number	Part Name	Qty	IC	S/N	Lbs	Remarks
070	04816-06280	O RING	1			0.004	
080	YT133-00160	RING BACK UP	1			0.002	
090	T1060-35400	ASSY VALVE CHECK	1			0.11	
100	YT812-88150	POPPET	1	=		0.022	
100	67950-36290	POPPET	1			0.026	
110	04816-00140	O RING	1			0.004	
120	YR535-22160	PLUG	1			0.072	
130	YR529-11480	SPRING CHECK	1			0.008	

LOWERRING LOCK LEVER

Figure Num 01J32301



LOWERRING LOCK LEVER

Ref	Part Number	Part Name	Qty	IC	S/N	Lbs	Remarks
010	T1060-35300	ASSY VALVE	1			0.198	
020	04817-00050	O RING	1			0.002	
030	04816-00160	O RING	1			0.006	
035	YR535-22170	WASHER THRUST	1			0.002	
036	YR535-22140	HOLDER	1			0.088	
037	YR535-22150	SEAL DUST	1			0.002	
040	T1060-34660	SPRING	1			0.011	

LOWERRING LOCK LEVER

Ref	Part Number	Part Name	Qty	IC	S/N	Lbs	Remarks
050	04012-50080	WASHER PLAIN	1			0.002	
080	3C581-81650	LEVER LOWERRING LOCK	1			0.055	
090	05411-00414	PIN SPRING	1		>=50822	0.002	
110	3C581-81672	SHAFT	1		<=50821	0.391	
110	3C581-81673	SHAFT	1	>>	>=50822	0.396	
130	05122-50516	PIN JOINT	1		<=51923	0.004	
130	05122-50518	PIN JOINT	1	>>	>=51924	0.004	
135	04717-00500	WASHER WITH RUBBER	1		>=51924	0.002	
140	05525-60500	PIN SNAP	1			0.002	
150	T0070-34560	GRIP	1			0.024	
160	36330-87450	RING RUBBER	1			0.002	

LOWERRING LOCK LEVER

Figure Num 01J32301

OLD PARTS



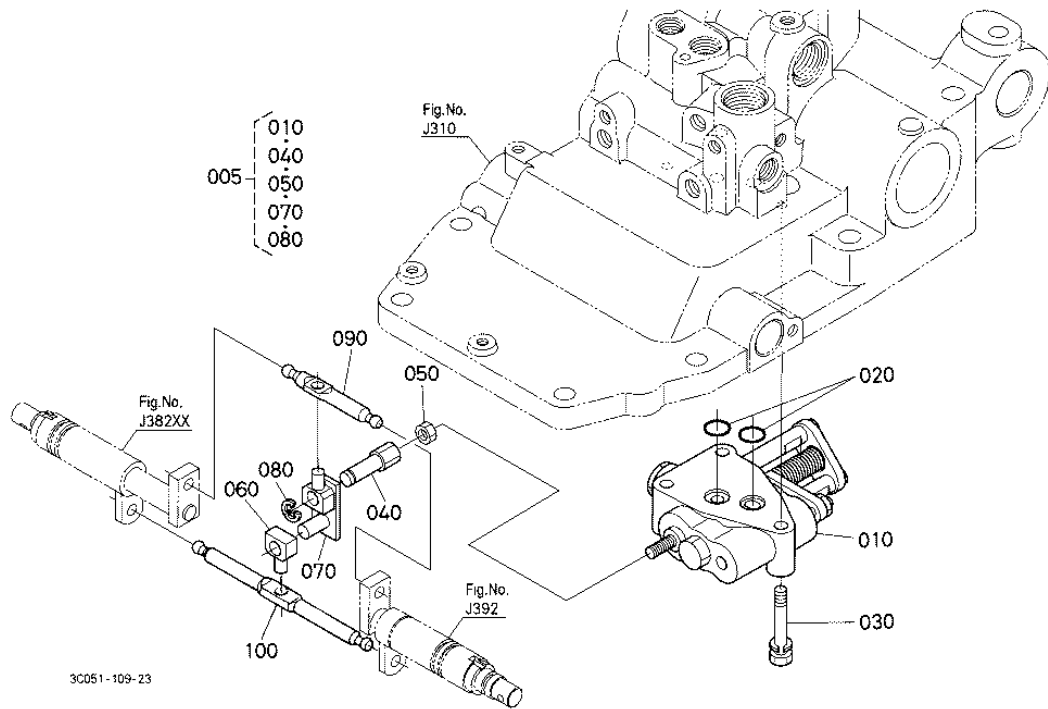
3C791-806-10

LOWERRING LOCK LEVER

Ref	Part Number	Part Name	Qty	IC	S/N	Lbs	Remarks
110	3C581-81673	SHAFT	1	>>	>=50822	0.396	
110	3C581-81672	SHAFT	1		<=50821	0.391	

CONTROL VALVE

Figure Num 01J355



CONTROL VALVE

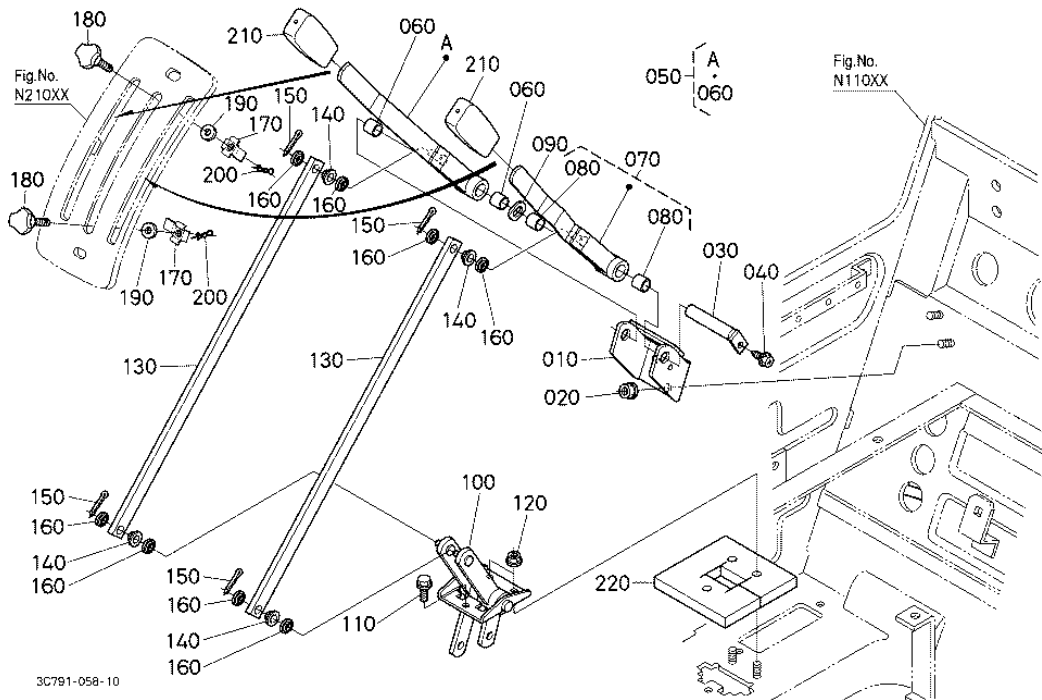
Ref	Part Number	Part Name	Qty	IC	S/N	Lbs	Remarks
005	3C045-82330	ASSY VALVE CONTROL	1	>>	>=54144	0	
005	3C001-82330	ASSY VALVE CONTROL	1		>=52150	3.96	
010	3C001-82300	VALVE CONTROL	1			3.718	ORDER BY REF.No.00
020	04817-00140	O RING	2			0.002	
030	01123-50850	BOLT	3			0.044	
040	3C081-81290	LINK SPOOL	1			0.066	
050	02112-50080	NUT	1			0.006	

CONTROL VALVE

Ref	Part Number	Part Name	Qty	IC	S/N	Lbs	Remarks
060	3C081-81280	LINK SPOOL	1			0.070	
070	3C081-81270	LINK SPOOL	1			0.209	
080	04613-50080	CIR CLIP EXTERNAL	1			0.002	
090	3C081-81240	ROD SPOOL	1			0.088	
100	3C001-81260	ROD SPOOL DRAFT	1			0.160	

DRAFT AND POSITION CONTROL LEVER

Figure Num 01J380



DRAFT AND POSITION CONTROL LEVER

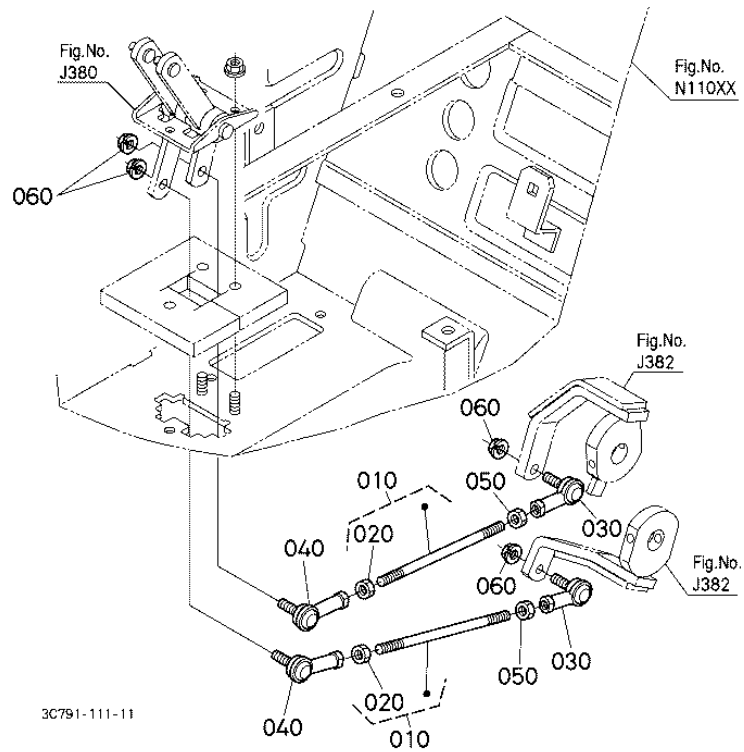
Ref	Part Number	Part Name	Qty	IC	S/N	Lbs	Remarks
010	3C581-94252	BRACKET HYD.LEVER	1	>>	>=50513	0.297	
010	3C581-94250	BRACKET HYD.LEVER	1		<=50512	0.297	
020	02763-50080	NUT FLANGE	2			0.013	
030	3C581-94290	SHAFT HYD.LEVER	1			0.123	
040	3G710-71140	BOLT	1			0.011	
050	3C581-94310	ASSY LEVER POSITION	1		<=50512	0.374	
050	3C581-94312	ASSY LEVER POSITION	1	>>	>=50513	0.374	

DRAFT AND POSITION CONTROL LEVER

Ref	Part Number	Part Name	Qty	IC	S/N	Lbs	Remarks
050	3C581-94313	ASSY LEVER POSITION	1	NI	>=80001	0.374	
060	08511-01210	BUSH	2			0.011	
070	3C581-94300	ASSY LEVER DRAFT	1		<=50512	0.352	
070	3C581-94302	ASSY LEVER DRAFT	1	>>	>=50513	0.22	
070	3C581-94303	ASSY LEVER DRAFT	1	>>	>=51502	0.352	
070	3C581-94304	ASSY LEVER DRAFT	1	NI	>=80001	0.352	
080	08511-01210	BUSH	2			0.011	
090	36919-92360	WASHER WAVE	1			0.002	
100	3C581-94212	ASSY LEVER HYD.	1	>>	>=51001	0.77	
100	3C581-94210	ASSY LEVER HYD.	1		<=51000	0.77	
110	01754-50612	BOLT FLANGE	1			0.011	
120	02751-50060	NUT FLANGE	2			0.011	
130	3C581-94470	LINK HYD.CONTROL	2			0.594	
140	33740-94510	BUSH	4			0.004	
150	05511-51612	PIN SPLIT	4			0.002	
160	04717-00600	WASHER WITH RUBBER	8			0.002	
170	36919-81523	STOPPER LEVER	2			0.022	
180	35624-81530	GRIP	2			0.044	
190	04012-50080	WASHER PLAIN	2			0.002	
200	52300-34120	PIN SNAP	2			0.002	
210	31351-36880	GRIP LEVER	2			0.088	
220	3C581-94700	SPONGE	1			0.015	

DRAFT AND POSITION CONTROL LEVER BRACKET

Figure Num 01J381

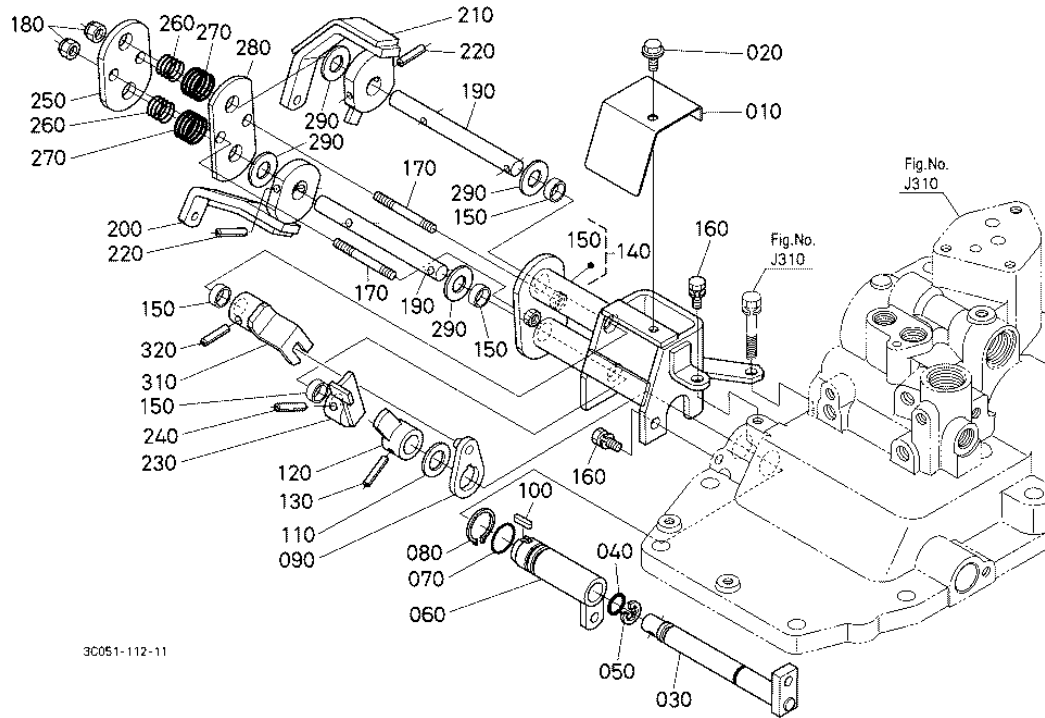


DRAFT AND POSITION CONTROL LEVER BRACKET

Ref	Part Number	Part Name	Qty	IC	S/N	Lbs	Remarks
010	3C581-81970	ASSY ROD HYD.CONTROL	2			0.050	
020	02014-50060	NUT	2			0.004	
030	36919-81970	END ROD	2			0.077	
040	36919-81960	END ROD	2			0.077	
050	36530-27770	NUT	2			0.004	
060	12264-92020	NUT SPRING WASHER M	4			0.11	

POSITION AND DRAFT SHAFT

Figure Num 01J382



POSITION AND DRAFT SHAFT

Ref	Part Number	Part Name	Qty	IC	S/N	Lbs	Remarks
010	3C081-81190	COVER GUIDE	1			0.22	
020	01754-50610	BOLT FLANGE	1			0.013	
030	3C001-81110	SHAFT CONTROL	1			0.528	
040	04816-00120	O RING	1			0.002	
050	04613-50150	CIR CLIP EXTERNAL	1			0.008	
060	3C081-81120	SHAFT CONTROL	1			0.382	
070	04816-00200	O RING	1			0.006	

POSITION AND DRAFT SHAFT

Ref	Part Number	Part Name	Qty	IC	S/N	Lbs	Remarks
080	04612-00240	CIR CLIP EXTERNAL	1			0.004	
090	3C081-81350	LEVER DRAFT	1			0.11	
100	05712-00510	KEY FEATHER	1			0.004	
110	41092-14410	COLLAR	1			0.004	
120	3C081-94292	LEVER POSITION	1			0.134	
130	05411-00525	PIN SPRING	1			0.004	
140	3C001-81130	BRACKET GUIDE	1			2.97	
150	08511-01415	BUSH	4			0.013	
160	01123-60816	BOLT	3			0.022	
170	01513-50860	STUD	2			0.052	
180	02556-50080	NUT LOCK	2			0.008	
190	3C081-94250	ROD HYD.LEVER	2			0.352	
200	3C081-94232	LEVER POSITION	1		<=51501	0.462	
200	3C081-94233	LEVER POSITION	1	>>	>=51502	0.462	
210	3C081-94242	LEVER DRAFT	1		<=51501	0	
210	3C081-94243	LEVER DRAFT	1	>>	>=51502	0.528	
220	05411-00536	PIN SPRING	2	>>	>=51502	0.006	
220	05411-00530	PIN SPRING	2		<=51501	0.006	
230	3C081-94280	LEVER POSITION	1			0.176	
240	05411-00525	PIN SPRING	1			0.004	
250	3C081-81470	PLATE SPRING	1			0.275	
260	3A011-81460	SPRING	2			0.037	
270	36200-81460	SPRING	2			0.066	
280	3C081-81482	STOPPER SPRING	1			0.178	
290	3C081-81440	PLATE FRICTION	2			0.015	
310	3C081-81343	LEVER DRAFT	1			0.198	

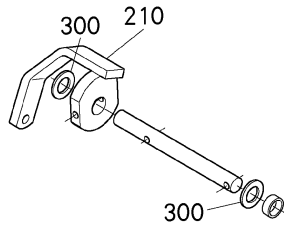
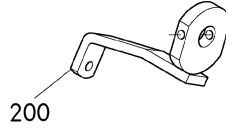
POSITION AND DRAFT SHAFT

Ref	Part Number	Part Name	Qty	IC	S/N	Lbs	Remarks
320	05411-00525	PIN SPRING	1			0.004	

POSITION AND DRAFT SHAFT

Figure Num 01J382

OLD PARTS



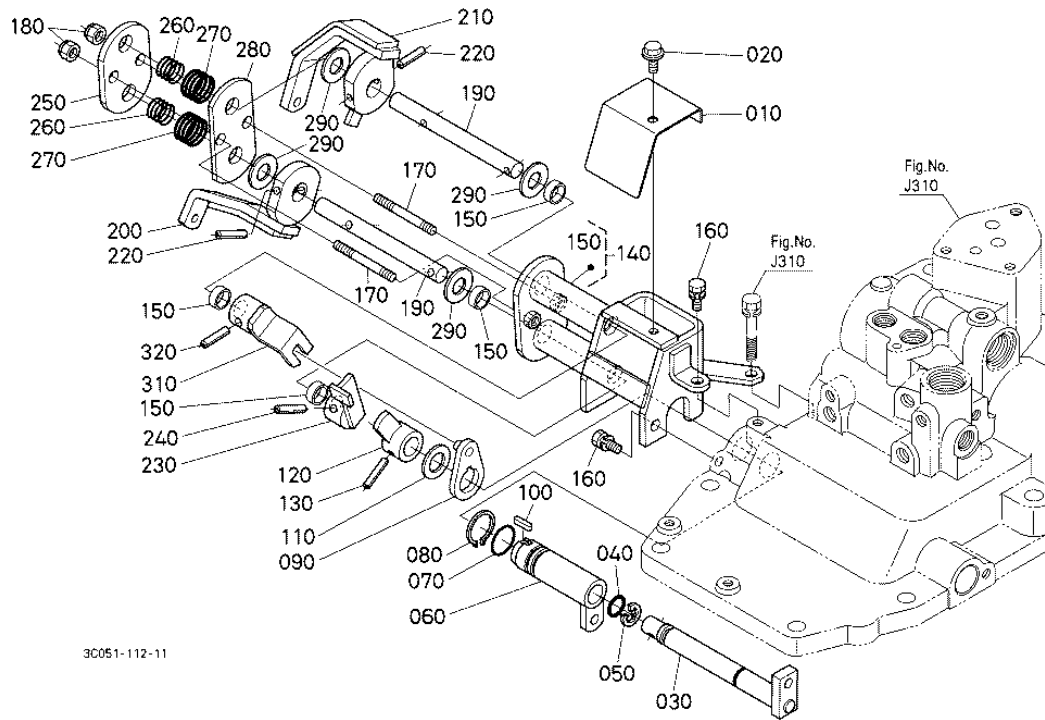
3C051-808-10

POSITION AND DRAFT SHAFT

Ref	Part Number	Part Name	Qty	IC	S/N	Lbs	Remarks
200	3C081-94233	LEVER POSITION	1	>>	>=51502	0.462	
200	3C081-94232	LEVER POSITION	1		<=51501	0.462	
210	3C081-94243	LEVER DRAFT	1	>>	>=51502	0.528	
210	3C081-94242	LEVER DRAFT	1		<=51501	0	
300	3C081-81440	PLATE FRICTION	2	>>	>=51502	0.015	
300	3A211-81440	PLATE FRICTION	2		<=51501	0.006	

POSITION AND DRAFT SHAFT

Figure Num 01J38201



POSITION AND DRAFT SHAFT

Ref	Part Number	Part Name	Qty	IC	S/N	Lbs	Remarks
010	3C081-81190	COVER GUIDE	1			0.22	
020	01754-50610	BOLT FLANGE	1			0.013	
030	3C001-81110	SHAFT CONTROL	1			0.528	
040	04816-00120	O RING	1			0.002	
050	04613-50150	CIR CLIP EXTERNAL	1			0.008	
060	3C081-81120	SHAFT CONTROL	1			0.382	
070	04816-00200	O RING	1			0.006	

POSITION AND DRAFT SHAFT

Ref	Part Number	Part Name	Qty	IC	S/N	Lbs	Remarks
080	04612-00240	CIR CLIP EXTERNAL	1			0.004	
090	3C081-81350	LEVER DRAFT	1			0.11	
100	05712-00510	KEY FEATHER	1			0.004	
110	41092-14410	COLLAR	1			0.004	
120	3C081-94292	LEVER POSITION	1			0.134	
130	05411-00525	PIN SPRING	1			0.004	
140	3C001-81130	BRACKET GUIDE	1			2.97	
150	08511-01415	BUSH	4			0.013	
160	01123-60816	BOLT	3			0.022	
170	01513-50860	STUD	2			0.052	
180	02556-50080	NUT LOCK	2			0.008	
190	3C081-94250	ROD HYD.LEVER	2			0.352	
200	3C081-94232	LEVER POSITION	1		<=51501	0.462	
200	3C081-94233	LEVER POSITION	1	>>	>=51502	0.462	
210	3C081-94242	LEVER DRAFT	1		<=51501	0	
210	3C081-94243	LEVER DRAFT	1	>>	>=51502	0.528	
220	05411-00536	PIN SPRING	2	>>	>=51502	0.006	
220	05411-00530	PIN SPRING	2		<=51501	0.006	
230	3C081-94280	LEVER POSITION	1			0.176	
240	05411-00525	PIN SPRING	1			0.004	
250	3C081-81470	PLATE SPRING	1			0.275	
260	3A011-81460	SPRING	2			0.037	
270	36200-81460	SPRING	2			0.066	
280	3C081-81482	STOPPER SPRING	1			0.178	
290	3C081-81440	PLATE FRICTION	2			0.015	
310	3C081-81343	LEVER DRAFT	1			0.198	

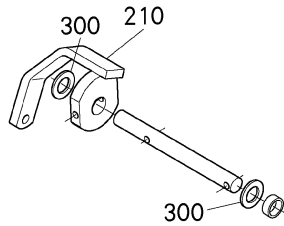
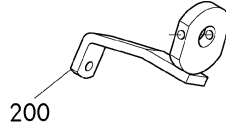
POSITION AND DRAFT SHAFT

Ref	Part Number	Part Name	Qty	IC	S/N	Lbs	Remarks
320	05411-00525	PIN SPRING	1			0.004	

POSITION AND DRAFT SHAFT

Figure Num 01J38201

OLD PARTS



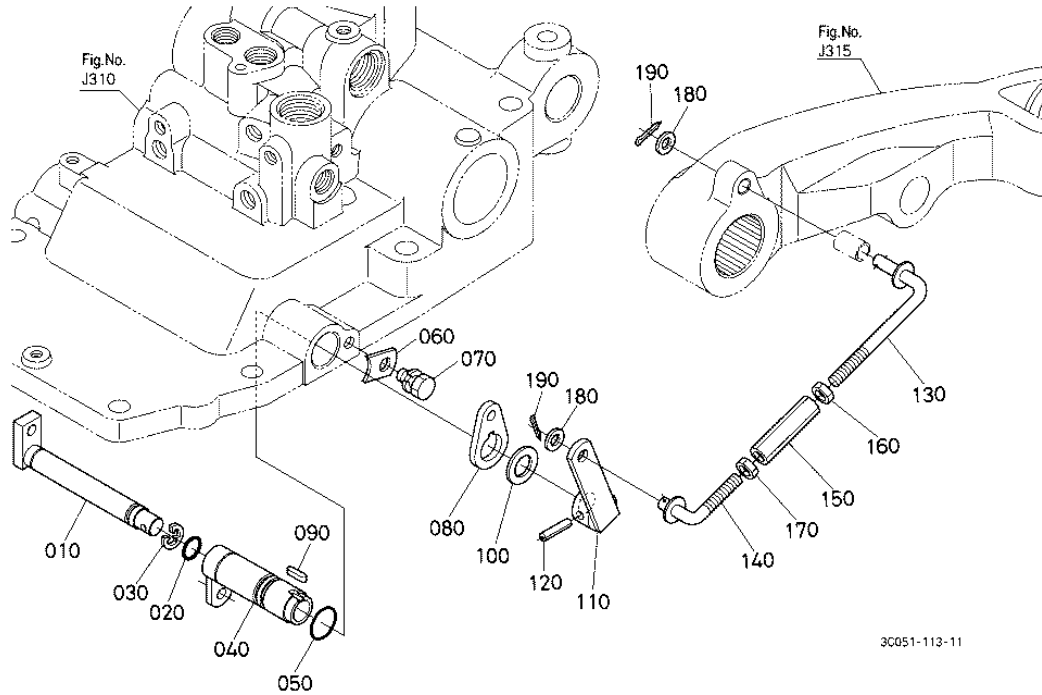
3C051-808-10

POSITION AND DRAFT SHAFT

Ref	Part Number	Part Name	Qty	IC	S/N	Lbs	Remarks
200	3C081-94233	LEVER POSITION	1	>>		0.462	NEW PART
200	3C081-94232	LEVER POSITION	1			0.462	OLD PART
210	3C081-94243	LEVER DRAFT	1	>>		0.528	NEW PART
210	3C081-94242	LEVER DRAFT	1			0	OLD PART
300	3C081-81440	PLATE FRICTION	2	>>		0.015	NEW PART
300	3A211-81440	PLATE FRICTION	2			0.006	OLD PART

FEED BACK LEVER

Figure Num 01J392



3C051-113-11

FEED BACK LEVER

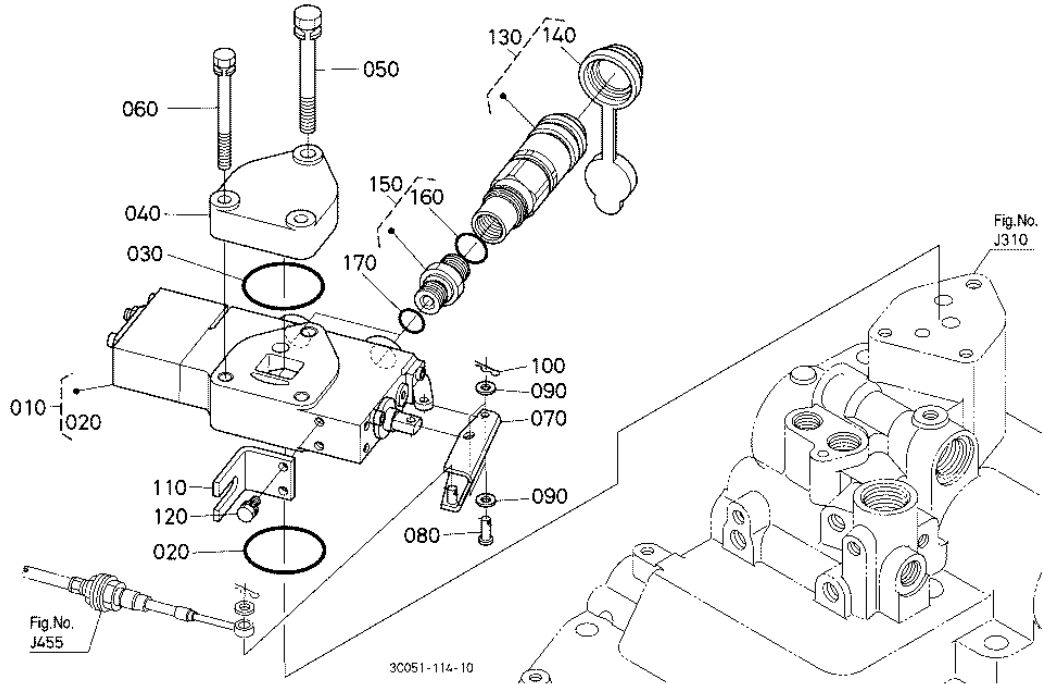
Ref	Part Number	Part Name	Qty	IC	S/N	Lbs	Remarks
010	3C001-81150	SHAFT FEED BACK	1			0.462	
020	04816-00120	O RING	1			0.002	
030	04613-50150	CIR CLIP EXTERNAL	1			0.008	
040	3C001-81170	SHAFT FEED BACK	1			0.363	
050	04816-00200	O RING	1			0.006	
060	3C081-81660	STOPPER SHAFT	1			0.017	
070	01123-60814	BOLT	1			0.022	

FEED BACK LEVER

Ref	Part Number	Part Name	Qty	IC	S/N	Lbs	Remarks
080	3C081-81722	LEVER FEED BACK	1			0.085	
090	05712-00510	KEY FEATHER	2			0.004	
100	41092-14410	COLLAR	1			0.004	
110	3C001-81690	LEVER FEED BACK	1			0.198	
120	05411-00525	PIN SPRING	1			0.004	
130	3C001-81310	ROD POSITION L	1			0.11	
140	3A211-81700	ROD CONTROL	1			0.057	
150	66591-42410	TURNBUCKLE	1			0.101	
160	37300-41330	NUT	1			0.011	
170	02112-50080	NUT	1			0.006	
180	04013-60080	WASHER PLAIN	2			0.004	
190	05511-50215	PIN SPLIT	2			0.002	

AUXILIARY CONTROL VALVE (SCD)

Figure Num 01J445



AUXILIARY CONTROL VALVE (SCD)

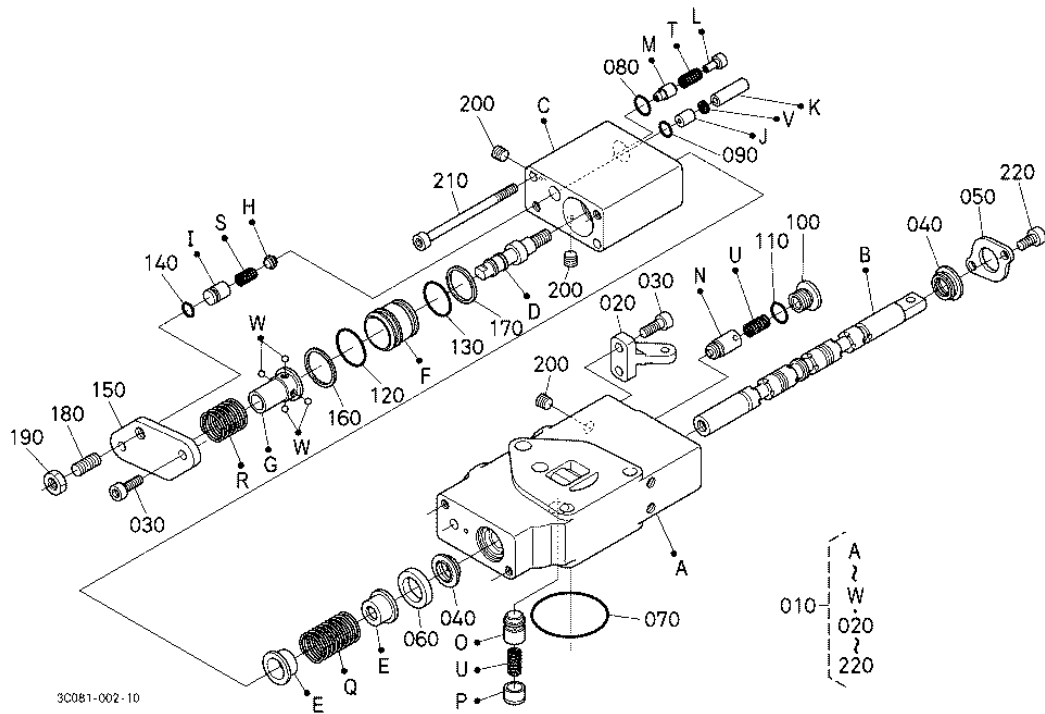
Ref	Part Number	Part Name	Qty	IC	S/N	Lbs	Remarks
010	3C081-82540	VALVE AUX.CONTROL	1			9.24	
020	04815-07560	O RING	1			0.004	
030	04815-07560	O RING	1			0.004	
040	3C081-82940	COVER AUX.CONT.VALVE	1			1.947	
050	01133-51085	BOLT	1			0.11	
060	01123-50885	BOLT	2			0.072	
070	3F740-82390	SUPPORT AUX.CON.VALV	1			0.275	

AUXILIARY CONTROL VALVE (SCD)

Ref	Part Number	Part Name	Qty	IC	S/N	Lbs	Remarks
080	05122-50518	PIN JOINT	2			0.004	
090	04012-50050	WASHER PLAIN	4			0.002	
100	05525-60500	PIN SNAP	2			0.002	
110	3F740-82380	HOLDER	1			0.198	
120	01023-50612	BOLT	2			0.011	
130	3A111-82010	ASSY COUPLER	2			1.056	
140	3A111-94520	ASSY CAP DUST	2			0.041	
150	3A151-82012	ASSY JOINT COUPLER	2			0.187	
160	68011-62140	O RING	2			0.002	
170	04816-00140	O RING	2			0.004	

AUXILIARY CONTROL VALVE (SCD) [COMPONENT PARTS]

Figure Num 01J447



AUXILIARY CONTROL VALVE (SCD) [COMPONENT PARTS]

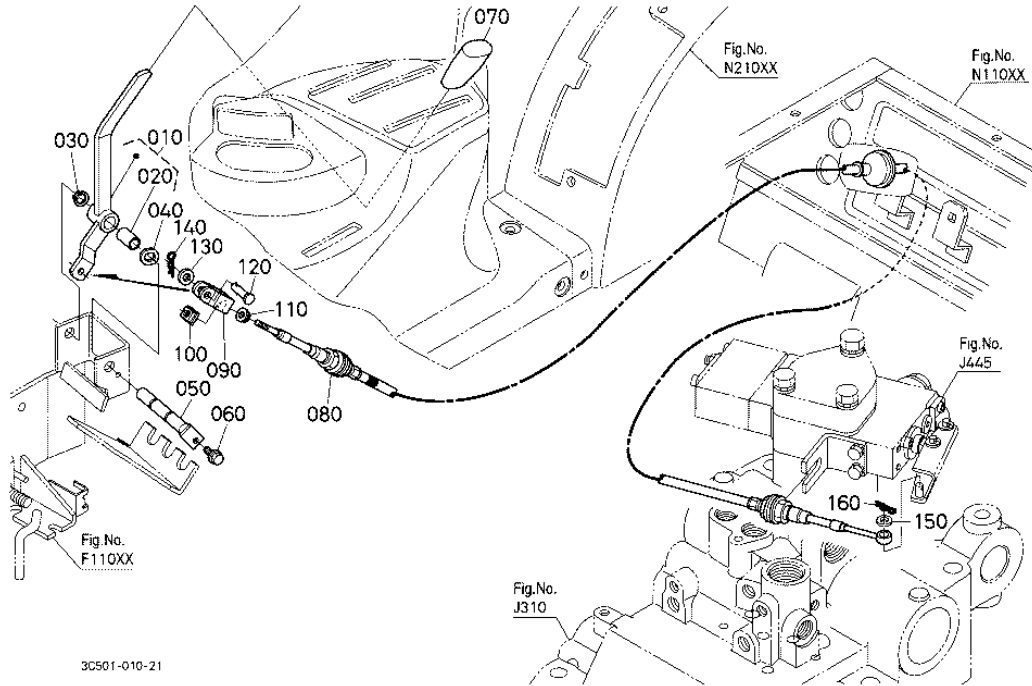
Ref	Part Number	Part Name	Qty	IC	S/N	Lbs	Remarks
010	3C081-82540	VALVE AUX.CONTROL	1			9.24	
020	3C081-06030	ARM	1			0	
030	01311-10616	BOLT HEX-SOC-HD	4			0.011	
040	3C081-06040	SEAL OIL	2			0	
050	3C081-06010	COVER	1			0	
060	3C081-06020	WASHER	1			0	
070	3C081-06050	O RING	1			0	

AUXILIARY CONTROL VALVE (SCD) [COMPONENT PARTS]

Ref	Part Number	Part Name	Qty	IC	S/N	Lbs	Remarks
080	3C081-06060	O RING	1			0	
090	3C081-06070	O RING	1			0	
100	3C081-06080	PLUG	1			0	
110	3C081-06090	O RING	1			0	
120	3C081-06100	O RING	1			0	
130	3C081-06110	O RING	1			0	
140	3C081-06120	O RING	1			0	
150	3C081-06130	COVER END	1			0	
160	3C081-06140	RING BACK UP	1			0	
170	3C081-06150	RING BACK UP	1			0	
180	3C081-06160	SCREW SET	1			0	
190	3C081-06170	NUT	1			0	
200	3C081-06180	PLUG	3			0	
210	3C081-06190	BOLT	2			0	
220	01311-10612	BOLT HEX-SOC-HD	2			0.022	

AUXILIARY CONTROL VALVE LEVER

Figure Num 01J455



3C501-010-21

AUXILIARY CONTROL VALVE LEVER

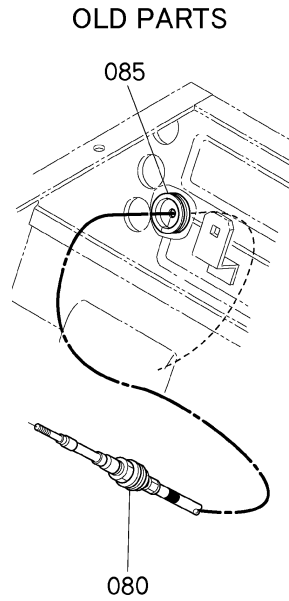
Ref	Part Number	Part Name	Qty	IC	S/N	Lbs	Remarks
010	3C581-82430	ASSY LEVER AUX.CON.	1			0.418	
020	08511-01220	BUSH	1			0.008	
030	04612-00120	CIR CLIP EXTERNAL	1			0.002	
040	36919-92360	WASHER WAVE	1			0.002	
050	3C081-82930	SHAFT AUX.CONT.VALVE	1			0.165	
060	3G710-71140	BOLT	1			0.011	
070	3P300-43560	GRIP LEVER	1			0.077	

AUXILIARY CONTROL VALVE LEVER

Ref	Part Number	Part Name	Qty	IC	S/N	Lbs	Remarks
080	3C501-82983	WIRE AUX.CONT.VALVE	1	>>	>=52420	0.627	
080	3C501-82980	WIRE AUX.CONT.VALVE	1		<=52419	0	
090	3F740-82420	CLEVIS	1			0.039	
100	3F740-82430	NUT LOCK	1			0.008	
110	02761-50050	NUT FLANGE	1			0.004	
120	05122-60618	PIN JOINT	1			0.022	
130	04012-50060	WASHER PLAIN	1			0.002	
140	05525-60600	PIN SNAP	1			0.002	
150	04012-50080	WASHER PLAIN	1			0.002	
160	05515-60800	PIN SNAP	1			0.004	

AUXILIARY CONTROL VALVE LEVER

Figure Num 01J455



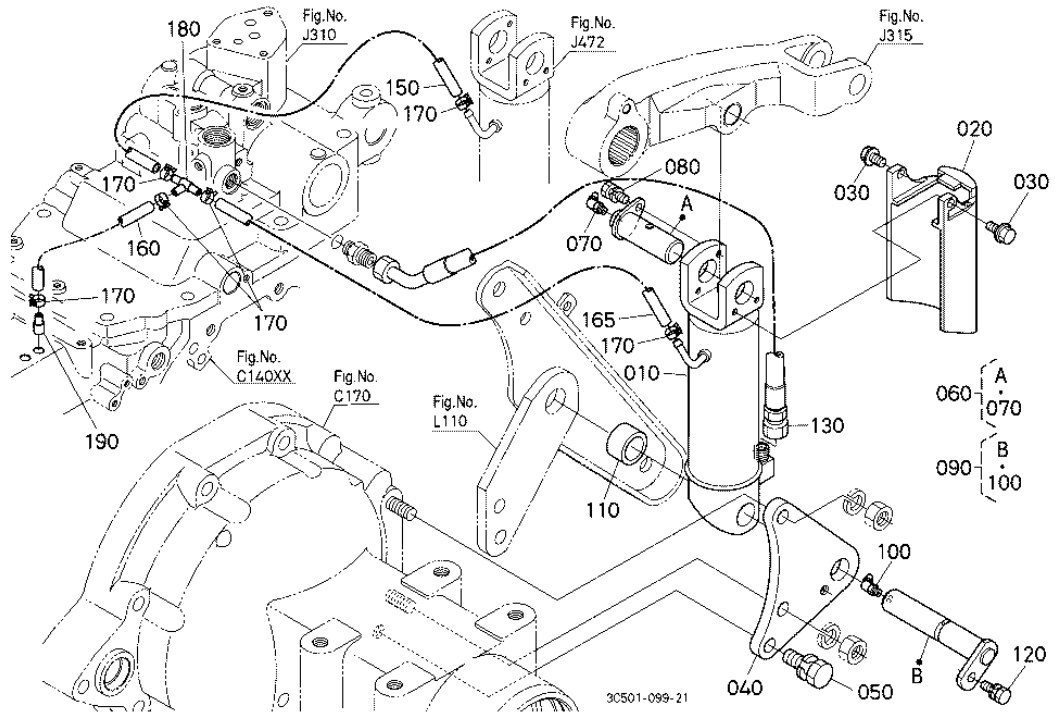
3C501-824-11

AUXILIARY CONTROL VALVE LEVER

Ref	Part Number	Part Name	Qty	IC	S/N	Lbs	Remarks
080	3C501-82983	WIRE AUX.CONT.VALVE	1	>>	>=52420	0.627	
080	3C501-82980	WIRE AUX.CONT.VALVE	1		<=52419	0	
085	3C581-30012	GROMMET WIRE	1		<=52419	0.017	

3P-LIFT ASSIST CYLINDER LH

Figure Num 01J471



3P-LIFT ASSIST CYLINDER LH

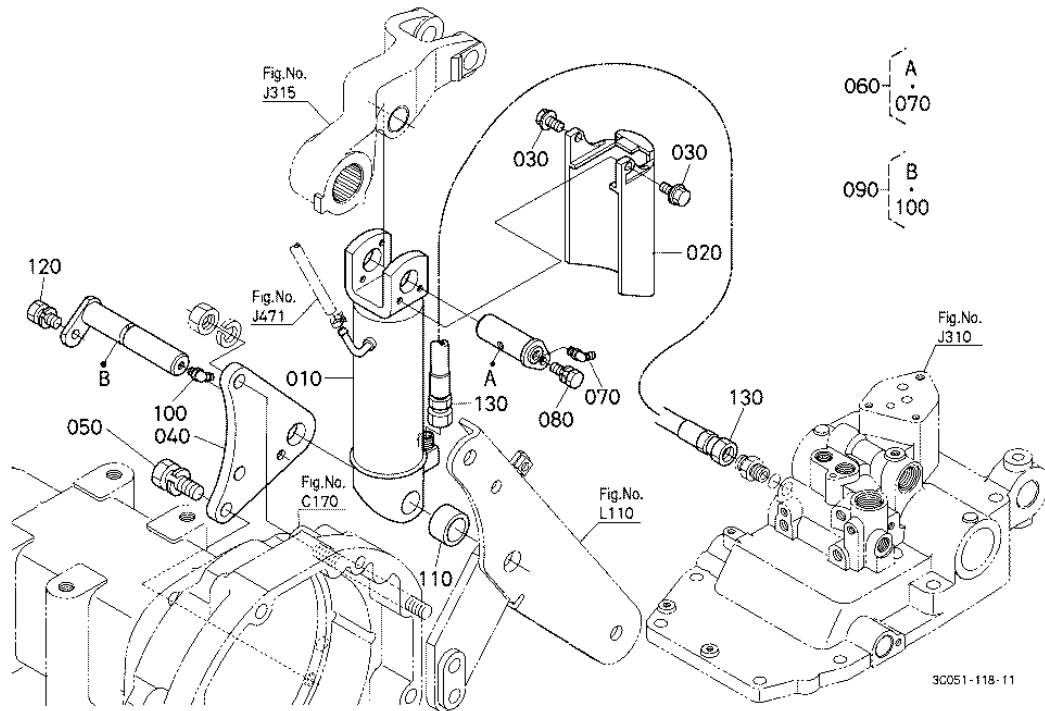
Ref	Part Number	Part Name	Qty	IC	S/N	Lbs	Remarks
010	YW333-00103	ASSY CYLINDER	1			9.24	
020	T1060-34812	COVER CYLINDER	1			0.121	
030	01754-50610	BOLT FLANGE	2			0.013	
040	3C001-94682	BRACKET CYLINDER	1			2.75	
050	01138-51435	BOLT	1			0.138	
060	T1060-34850	ASSY PIN CYLINDER	1			0.563	
070	06616-25010	NIPPLE GREASE	1			0.017	

3P-LIFT ASSIST CYLINDER LH

Ref	Part Number	Part Name	Qty	IC	S/N	Lbs	Remarks
080	01023-50620	BOLT	1			0.013	
090	3C001-94672	ASSY PIN CYL.LOWER	1			1.034	
100	06616-25010	NIPPLE GREASE	1			0.017	
110	3C001-94510	COLLAR CYL.LOWER	1			0.092	
120	01133-51020	BOLT	1			0.044	
130	3C001-94550	HOSE	1			0.891	
150	09661-80500	TUBE FUEL	1	NI	>=53203	0.11	
150	3C581-94730	HOSE BREATHER	1		<=53202	0.147	
160	3C581-94740	HOSE BREATHER	1		<=53202	0.066	
160	3C591-94740	HOSE BREATHER	1	NI	>=53203	0.061	
165	3C581-94780	HOSE BREATHER	1		<=53202	0.088	
165	09661-80300	TUBE FUEL	1	NI	>=53203	0.088	
170	09318-88130	CLAMP HOSE	6		<=53202	0.004	
170	09318-88125	CLAMP HOSE	6	NI	>=53203	0.002	
180	36919-11130	THREE WAY	1		<=53202	0.008	
180	3C091-94710	JOINT PIPE(T)	1	NI	>=53203	0	
190	3C091-94790	PIPE BREATHER	1	NI	>=53203	0	
190	3A151-21630	PIPE BREATHER	1		<=53202	0.026	

3P-LIFT ASSIST CYLINDER RH

Figure Num 01J472



3P-LIFT ASSIST CYLINDER RH

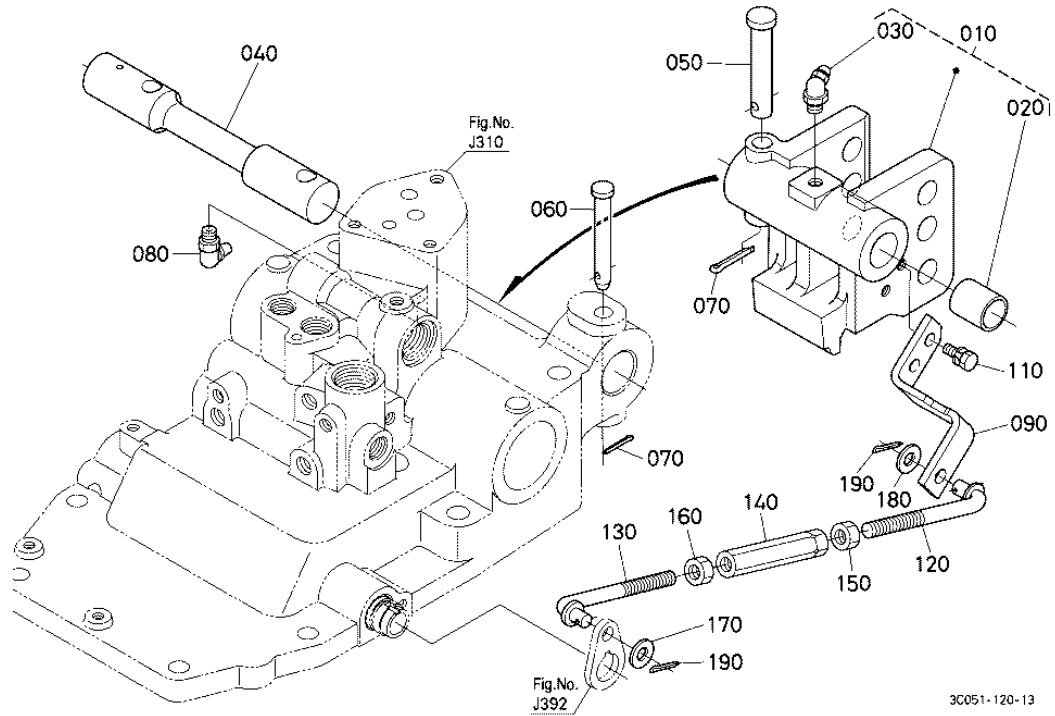
Ref	Part Number	Part Name	Qty	IC	S/N	Lbs	Remarks
010	YW333-00103	ASSY CYLINDER	1			9.24	
020	T1060-34812	COVER CYLINDER	1			0.121	
030	01754-50610	BOLT FLANGE	2			0.013	
040	3C001-94682	BRACKET CYLINDER	1			2.75	
050	01138-51435	BOLT	1			0.138	
060	T1060-34850	ASSY PIN CYLINDER	1			0.563	
070	06616-25010	NIPPLE GREASE	1			0.017	

3P-LIFT ASSIST CYLINDER RH

Ref	Part Number	Part Name	Qty	IC	S/N	Lbs	Remarks
080	01023-50620	BOLT	1			0.013	
090	3C001-94672	ASSY PIN CYL.LOWER	1			1.034	
100	06616-25010	NIPPLE GREASE	1			0.017	
110	3C001-94510	COLLAR CYL.LOWER	1			0.092	
120	01133-51020	BOLT	1			0.044	
130	3E481-27620	HOSE PTO	1			1.001	

TOP LINK BRACKET

Figure Num 01K105



TOP LINK BRACKET

Ref	Part Number	Part Name	Qty	IC	S/N	Lbs	Remarks
010	3C001-81803	ASSY BRACKET	1	>>	>=52687	7.48	
010	3C001-81802	ASSY BRACKET	1		<=52686	0	ORDER BY REF.No.01
020	37300-41450	BUSH	1			0.066	
030	06613-20010	NIPPLE GREASE	1			0.022	
040	3A111-81750	BAR TORSION	1		<=53105	0	
040	3C001-81750	BAR TORSION	1	NI	>=53106	0	
050	36330-81843	PIN	1			0.187	

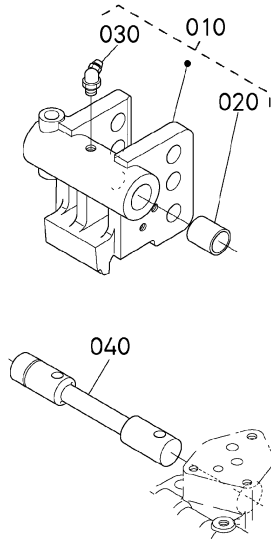
TOP LINK BRACKET

Ref	Part Number	Part Name	Qty	IC	S/N	Lbs	Remarks
060	3A151-81840	PIN	1			0.231	
070	05511-50425	PIN SPLIT	2			0.006	
080	06613-30010	NIPPLE GREASE	1			0.022	
090	3C001-81364	BRACKET	1	>>	>=53106	0.308	
090	3C001-81363	BRACKET	1		<=53105	0.308	
110	01123-50820	BOLT	2			0.024	
120	3A011-81380	ROD DRAFT	1			0.165	
130	3C001-81390	ROD DRAFT	1			0.167	
140	32350-28980	TURNBUCKLE	1			0.272	
150	32350-28990	NUT	1			0.019	
160	02116-50100	NUT	1			0.008	
170	04011-50100	WASHER PLAIN	2			0.004	
180	38730-49450	SHIM	1			0.011	0.5mm
190	05511-50218	PIN SPLIT	2			0.002	

TOP LINK BRACKET

Figure Num 01K105

OLD PARTS



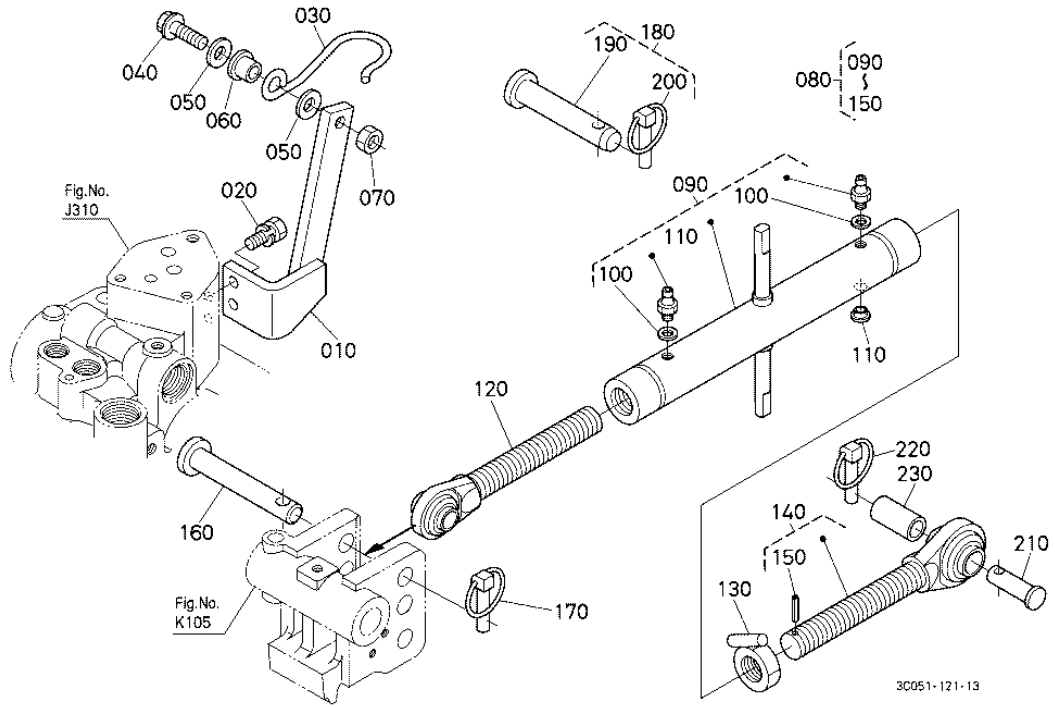
3C211-804-11

TOP LINK BRACKET

Ref	Part Number	Part Name	Qty	IC	S/N	Lbs	Remarks
010	3C001-81803	ASSY BRACKET	1	>>	>=52687	7.48	
010	3C001-81802	ASSY BRACKET	1		<=52686	0	ORDER BY REF.No.01
020	37300-41450	BUSH	1			0.066	
030	06613-20010	NIPPLE GREASE	1			0.022	
040	3C001-81750	BAR TORSION	1	NI	>=53106	0	
040	3A111-81750	BAR TORSION	1		<=53105	0	

TOP LINK

Figure Num 01K110



TOP LINK

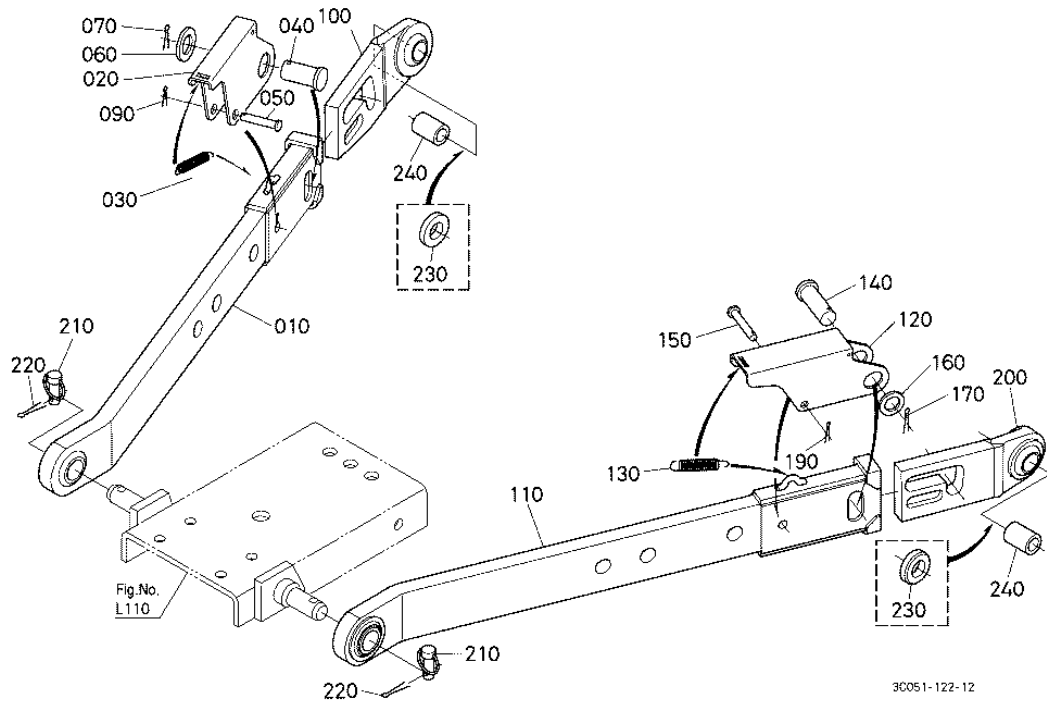
Ref	Part Number	Part Name	Qty	IC	S/N	Lbs	Remarks
010	3C001-82530	HOLDER TOP LINK	1			1.144	
020	01123-50820	BOLT	2			0.024	
030	3A651-91960	SUPPORT TOP LINK	1			0.253	
040	01754-50835	BOLT FLANGE	1			0.041	
050	04015-60080	WASHER PLAIN	2			0.022	
060	34070-41630	CUSHION RUBBER	1			0.011	
070	02114-50080	NUT	1			0.011	

TOP LINK

Ref	Part Number	Part Name	Qty	IC	S/N	Lbs	Remarks
080	3C001-91700	ASSY LINK TOP	1			10.12	
090	3C001-91620	ASSY SLEEVE TOP LINK	1			0	
100	04724-00100	GASKET	2			0.002	
110	3C081-91780	PLUG	1			0	
120	3C001-91550	COMP.LINK TOP FRONT	1			0	
130	3C001-91590	NUT TOP LINK	1			0	
140	3C001-91610	ASSY LINK TOP REAR	1			0	
150	3C001-91790	PIN	1			0	
160	36330-91752	PIN TOP LINK REAR	1			0.55	
170	34150-37640	PIN SET	1			0.132	
180	36330-91773	ASSY PIN TOP LINK	1			1.21	CATEGORY 2
190	36330-91762	PIN TOP LINK REAR	1			1.078	CATEGORY 2
200	36200-91840	ASSY PIN SET	1			0.132	CATEGORY 2
210	36330-91752	PIN TOP LINK REAR	1			0.55	CATEGORY 1
220	34150-37640	PIN SET	1			0.132	CATEGORY 1
230	36330-91720	COLLAR ADJUSTING	1			0.143	CATEGORY 1

LOWER LINK

Figure Num 01K125



LOWER LINK

Ref	Part Number	Part Name	Qty	IC	S/N	Lbs	Remarks
010	3C001-92012	COMP.LINK LOWER RH	1	>>	>=52541	21.12	
010	3C001-92010	COMP.LINK LOWER RH	1		<=52540	0	
020	3C001-92190	LEVER	1			1.166	
030	TC050-71420	SPRING	1			0.044	
040	33660-92160	PIN	1			0.088	
050	05122-51050	PIN JOINT	1			0.070	
060	04011-50200	WASHER PLAIN	1			0.033	

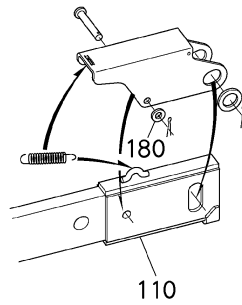
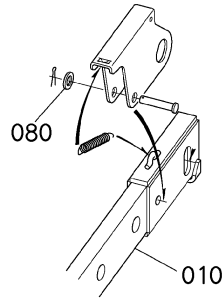
LOWER LINK

Ref	Part Number	Part Name	Qty	IC	S/N	Lbs	Remarks
070	05511-50435	PIN SPLIT	1			0.008	
090	05511-50320	PIN SPLIT	1			0.004	
100	3A211-92030	COMP.LINK LOWER RH	1			5.72	
110	3C001-92112	COMP.LINK LOWER LH	1	>>	>=52541	21.12	
110	3C001-92110	COMP.LINK LOWER LH	1		<=52540	0	
120	3C001-92190	LEVER	1			1.166	
130	TC050-71420	SPRING	1			0.044	
140	33660-92160	PIN	1			0.088	
150	05122-51050	PIN JOINT	1			0.070	
160	04011-50200	WASHER PLAIN	1			0.033	
170	05511-50435	PIN SPLIT	1			0.008	
190	05511-50320	PIN SPLIT	1			0.004	
200	3A211-92130	COMP.LINK LOWER LH	1			5.72	
210	36330-91840	ASSY PIN SET	2			0.121	
220	05511-50420	PIN SPLIT	2			0.004	
230	36830-91980	COLLAR	2			0.105	CATEGORY 2
240	32590-71150	COLLAR	2			0.132	CATEGORY 1

LOWER LINK

Figure Num 01K125

OLD PARTS



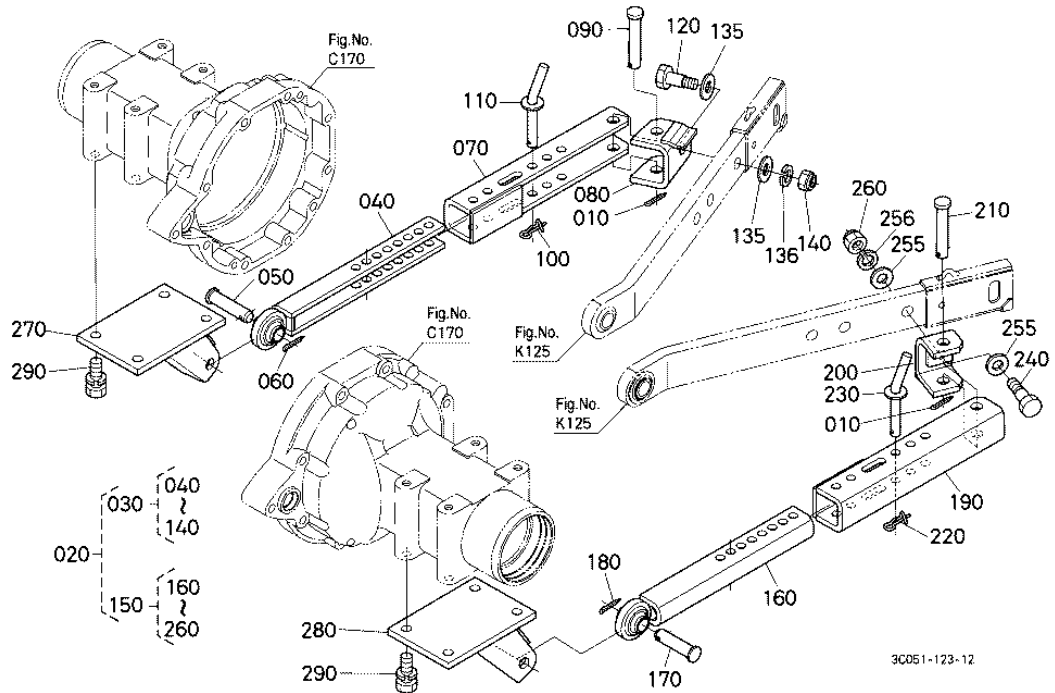
3C211-805-11

LOWER LINK

Ref	Part Number	Part Name	Qty	IC	S/N	Lbs	Remarks
010	3C001-92012	COMP.LINK LOWER RH	1	>>	>=52541	21.12	
010	3C001-92010	COMP.LINK LOWER RH	1		<=52540	0	
080	04011-50100	WASHER PLAIN	1		<=52686	0.004	
110	3C001-92112	COMP.LINK LOWER LH	1	>>	>=52541	21.12	
110	3C001-92110	COMP.LINK LOWER LH	1		<=52540	0	
180	04011-50100	WASHER PLAIN	1		<=52686	0.004	

STABILIZER

Figure Num 01K133



STABILIZER

Ref	Part Number	Part Name	Qty	IC	S/N	Lbs	Remarks
010	05511-50420	PIN SPLIT	2			0.004	
020	3C001-92550	ASSY ADAPTOR STAB.	1		<=51923	29.26	
020	3C001-92553	ASSY ADAPTOR STAB.	1	>>	>=51924	29.26	
020	3C254-92550	ASSY ADAPTOR STAB.	1	>>	>=54709	0	
030	3C001-92600	ASSY ADAPTOR STAB.RH	1		<=51923	14.3	
030	3C001-92603	ASSY ADAPTOR STAB.RH	1	>>	>=51924	14.3	
030	3C254-92600	ASSY ADAPTOR STAB.RH	1	>>	>=54709	0	

STABILIZER

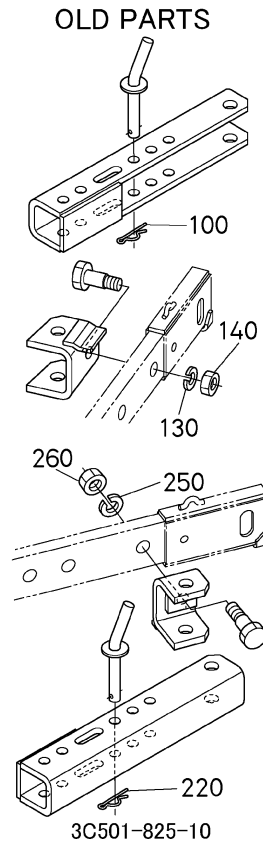
Ref	Part Number	Part Name	Qty	IC	S/N	Lbs	Remarks
040	3C081-92510	ADAPTOR STABI.FRONT	1			4.73	
050	3C081-92560	PIN.STABILIZER	1			0.385	
060	05511-50430	PIN SPLIT	1			0.008	
070	3C081-92520	ADAPTOR STAB.REAR	1			6.38	
080	3C001-92530	BRACKET STABILIZER	1			1.342	
090	05122-51690	PIN JOINT	1			0.33	
100	05525-51600	PIN SNAP	1		<=51923	0.006	
100	PA401-76470	PIN SNAP	1	>>	>=51924	0.004	
110	3C081-92570	PIN STABILIZER	1			0.308	
120	3A111-92170	BOLT STABILIZER	1			0.409	
135	3C254-92590	WASHER	2		>=54709	0	
136	04512-60180	WASHER SPRING	1		>=54709	0.044	
140	02576-50180	NUT LOCK	1	>>	>=51924	0.107	
140	02176-50180	NUT	1		<=51923	0.061	
150	3C001-92500	ASSY ADAPTOR STAB.LH	1		<=51923	14.3	
150	3C001-92503	ASSY ADAPTOR STAB.LH	1	>>	>=51924	14.3	
150	3C254-92500	ASSY ADAPTOR STAB.LH	1	>>	>=54709	0	
160	3C081-92510	ADAPTOR STABI.FRONT	1			4.73	
170	3C081-92560	PIN.STABILIZER	1			0.385	
180	05511-50430	PIN SPLIT	1			0.008	
190	3C081-92520	ADAPTOR STAB.REAR	1			6.38	
200	3C001-92530	BRACKET STABILIZER	1			1.342	
210	05122-51690	PIN JOINT	1			0.33	
220	05525-51600	PIN SNAP	1		<=51923	0.006	
220	PA401-76470	PIN SNAP	1	>>	>=51924	0.004	
230	3C081-92570	PIN STABILIZER	1			0.308	

STABILIZER

Ref	Part Number	Part Name	Qty	IC	S/N	Lbs	Remarks
240	3A111-92170	BOLT STABILIZER	1			0.409	
255	3C254-92590	WASHER	2		>=54709	0	
256	04512-60180	WASHER SPRING	1		>=54709	0.044	
260	02176-50180	NUT	1		<=51923	0.061	
260	02576-50180	NUT LOCK	1	>>	>=51924	0.107	
270	3C001-91080	BRACKET STABI.RH	1			12.1	
280	3C001-91090	BRACKET STABI.LH	1			12.1	
290	01138-51640	BOLT	8			0.11	

STABILIZER

Figure Num 01K133



STABILIZER

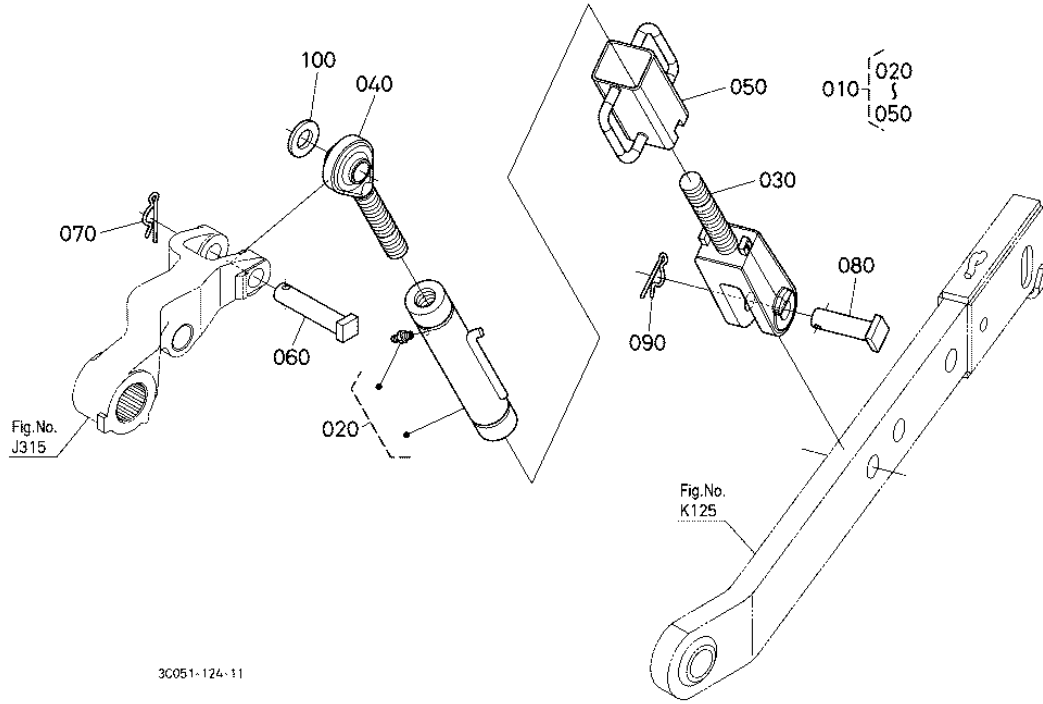
Ref	Part Number	Part Name	Qty	IC	S/N	Lbs	Remarks
100	PA401-76470	PIN SNAP	1	>>	>=51924	0.004	
100	05525-51600	PIN SNAP	1		<=51923	0.006	
130	04512-60180	WASHER SPRING	1		<=51923	0.044	
140	02576-50180	NUT LOCK	1	>>	>=51924	0.107	
140	02176-50180	NUT	1		<=51923	0.061	
220	PA401-76470	PIN SNAP	1	>>	>=51924	0.004	
220	05525-51600	PIN SNAP	1		<=51923	0.006	

STABILIZER

Ref	Part Number	Part Name	Qty	IC	S/N	Lbs	Remarks
250	04512-60180	WASHER SPRING	1		<=51923	0.044	
260	02576-50180	NUT LOCK	1	>>	>=51924	0.107	
260	02176-50180	NUT	1		<=51923	0.061	

LIFT ROD RH

Figure Num 01K140



3C051-124-11

LIFT ROD RH

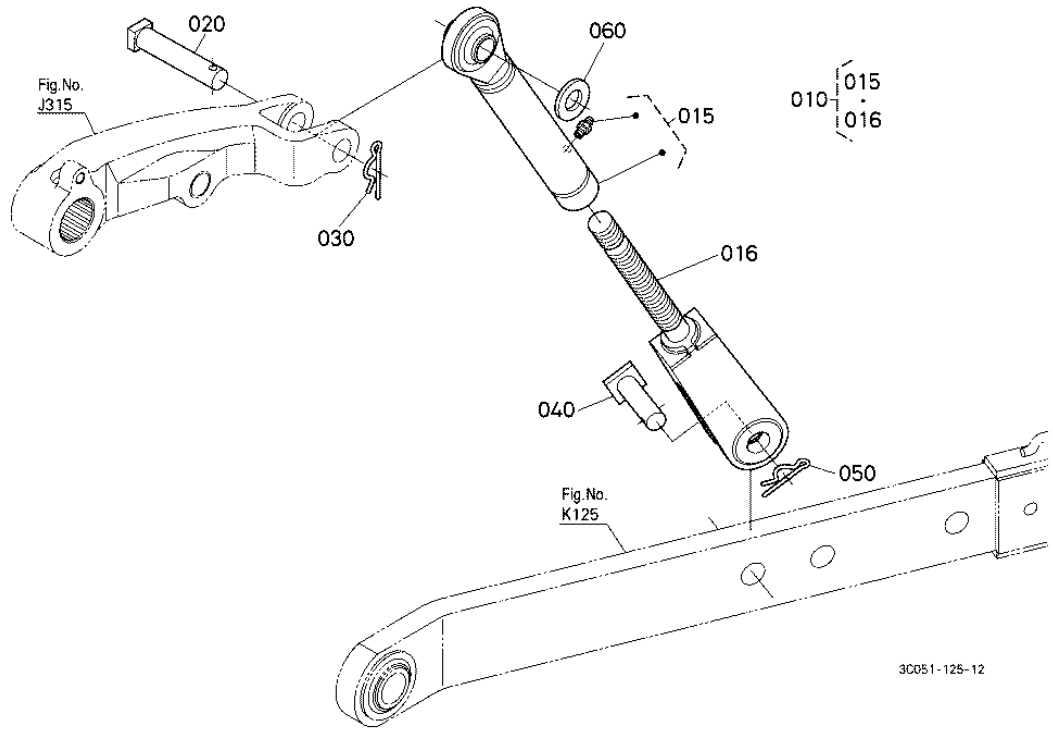
Ref	Part Number	Part Name	Qty	IC	S/N	Lbs	Remarks
010	3C001-91232	ASSY ROD LIFT RH	1			11.66	
020	3C001-91270	ASSY SLEEVE LIFT ROD	1			0	
030	3C001-91260	ROD LIFT	1			0	
040	3C001-91240	ROD LIFT	1			0	
050	3C001-91320	HANDLE LIFT ROD	1			0	
060	3A151-91540	PIN LIFT ROD	1			0.671	
070	33251-91860	PIN SET	1			0.050	

LIFT ROD RH

Ref	Part Number	Part Name	Qty	IC	S/N	Lbs	Remarks
080	36530-91543	PIN LIFT ROD LOWER	1			0.506	
090	33251-91860	PIN SET	1			0.050	
100	44312-16330	COLLAR THRUST	1			0.006	

LIFT ROD LH

Figure Num 01K143



LIFT ROD LH

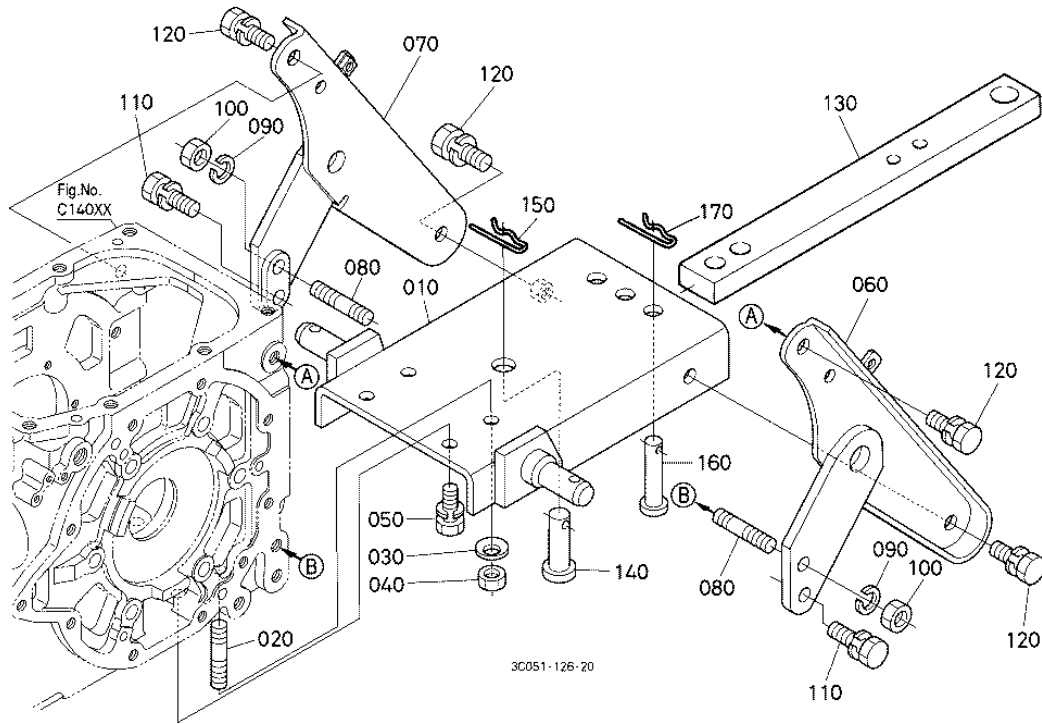
Ref	Part Number	Part Name	Qty	IC	S/N	Lbs	Remarks
010	3C001-91452	ASSY ROD LIFT LH	1			9.68	
015	3C001-91460	ASSY ROD LIFT LH	1			0	
016	3C001-91470	ROD LIFT	1			0	
020	3A151-91540	PIN LIFT ROD	1			0.671	
030	33251-91860	PIN SET	1			0.050	
040	36530-91543	PIN LIFT ROD LOWER	1			0.506	
050	33251-91860	PIN SET	1			0.050	

LIFT ROD LH

Ref	Part Number	Part Name	Qty	IC	S/N	Lbs	Remarks
060	44312-16330	COLLAR THRUST	1			0.006	

SWINGING DRAWBAR

Figure Num 01L110



SWINGING DRAWBAR

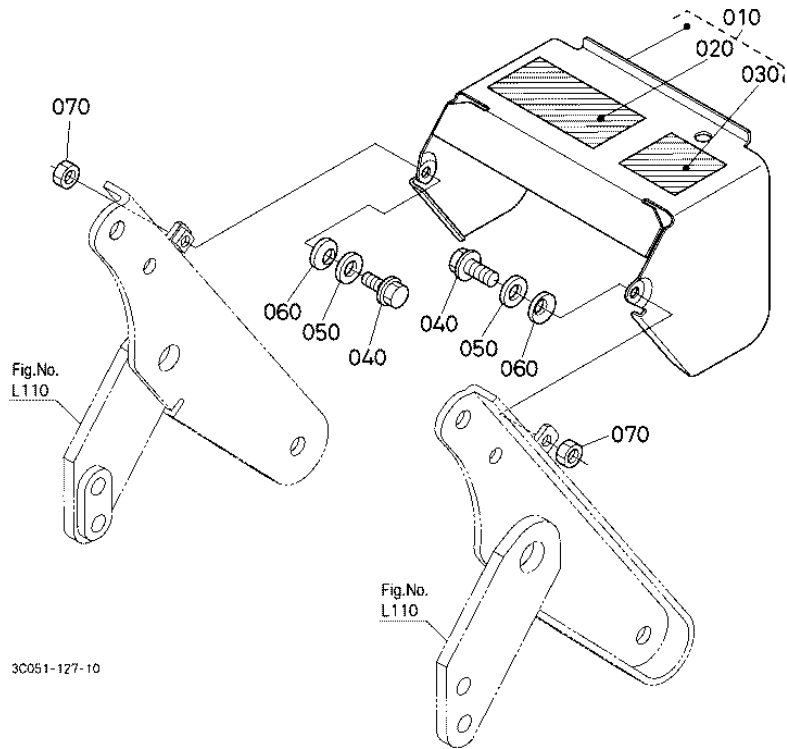
Ref	Part Number	Part Name	Qty	IC	S/N	Lbs	Remarks
010	3C001-89322	BRACKET DRAWBAR	1			37.18	
020	35700-49150	STUD	2			0.198	
030	36500-49410	SPRING PLATE	2			0.048	
040	36500-49390	NUT	2			0.094	
050	01138-51640	BOLT	2			0.11	
060	3C001-89332	BRACKET TENSION LH	1			6.38	
070	3C001-89342	BRACKET TENSION RH	1			6.38	

SWINGING DRAWBAR

Ref	Part Number	Part Name	Qty	IC	S/N	Lbs	Remarks
080	35700-49150	STUD	2			0.198	
090	04512-60160	WASHER SPRING	2			0.022	
100	02176-50160	NUT	2			0.046	
110	01138-51645	BOLT	2			0.22	
120	01138-51635	BOLT	4			0.198	
130	3A111-89120	DRAWBAR	1			20.68	
140	32530-71760	PIN DRAWBAR	1			0.704	
150	70515-16330	PIN SPRING	1			0.066	
160	05122-52070	PIN JOINT	2			0.404	
170	05515-51600	PIN SNAP	2			0.015	

PTO SHAFT PROTECTOR [A]

Figure Num 01L17001

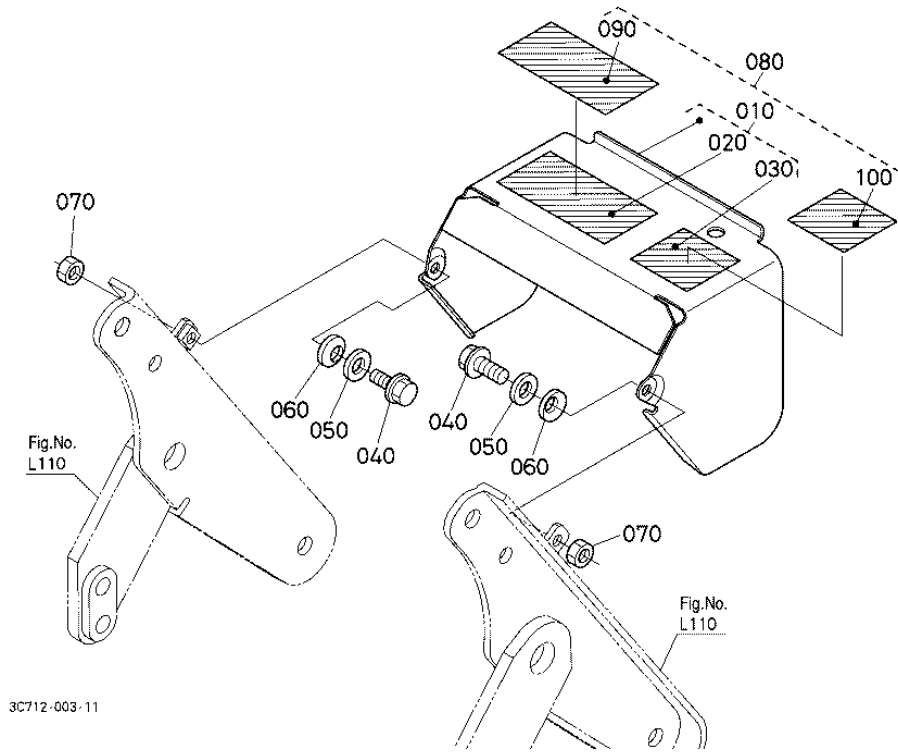


PTO SHAFT PROTECTOR [A]

Ref	Part Number	Part Name	Qty	IC	S/N	Lbs	Remarks
010	3C001-97380	KIT COVER PTO (A)	1			6.16	
020	TA040-49350	LABEL DRAWBAR	1			0.004	
030	TA040-49593	LABEL PTO WARNING	1			0.002	
040	01754-51025	BOLT FLANGE	2			0.055	
050	04013-60100	WASHER PLAIN	2			0.006	
060	67531-38630	SPRING PLATE	2			0.004	
070	02116-50100	NUT	2			0.008	

PTO SHAFT PROTECTOR [A]

Figure Num 01L17002



PTO SHAFT PROTECTOR [A]

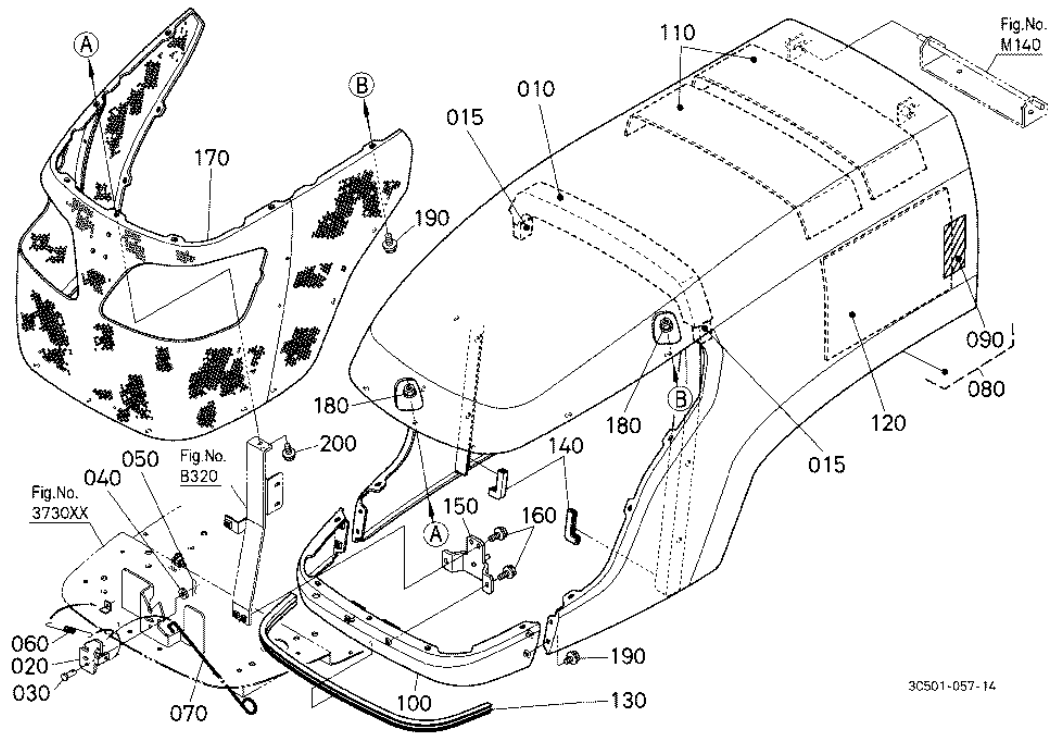
Ref	Part Number	Part Name	Qty	IC	S/N	Lbs	Remarks
010	3C001-97380	KIT COVER PTO (A)	1			6.16	ENGLISH
020	TA040-49593	LABEL PTO WARNING	1			0.002	ENGLISH
030	TA040-49350	LABEL DRAWBAR	1			0.004	ENGLISH
040	01754-51025	BOLT FLANGE	2			0.055	
050	04013-60100	WASHER PLAIN	2			0.006	
060	67531-38630	SPRING PLATE	2			0.004	
070	02116-50100	NUT	2			0.008	

PTO SHAFT PROTECTOR [A]

Ref	Part Number	Part Name	Qty	IC	S/N	Lbs	Remarks
080	3C002-97380	KIT COVER PTO (B)	1			0	FRENCH
090	TA041-49590	LABEL PTO WARNING	1			0.002	FRENCH
100	TA041-49350	LABEL DRAWBAR	1			0.006	FRENCH

HOOD(BONNET) UPPER

Figure Num 01M120



HOOD(BONNET) UPPER

Ref	Part Number	Part Name	Qty	IC	S/N	Lbs	Remarks
010	3C501-17172	SPONGE UPPER	1	>>	>=51502	0.352	
010	3C501-17170	SPONGE UPPER	1		<=51501	0	
015	3C501-17180	SPONGE	2			0.004	
020	3C081-21790	BRACKET LOCK	1		<=52419	0	
020	3C081-21792	BRACKET LOCK	1	>>	>=52420	0.242	
030	05122-50614	PIN JOINT	1			0.008	
040	04015-60060	WASHER PLAIN	1			0.011	

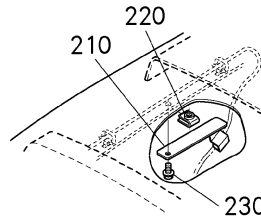
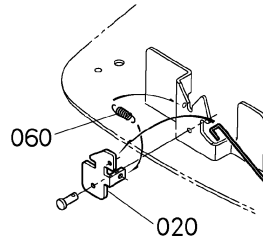
HOOD(BONNET) UPPER

Ref	Part Number	Part Name	Qty	IC	S/N	Lbs	Remarks
050	05525-60600	PIN SNAP	1			0.002	
060	52200-33730	SPRING INTERLOCKER	1		<=52419	0.044	
060	3C081-21720	SPRING	1	NI	>=52420	0	
070	3N300-83472	LEVER BONNET	1			0.050	
080	3C501-97330	KIT BONNET	1			57.2	
090	32310-49580	LABEL WARNING	1			0.004	
100	3C081-83292	BONNET LOWER	1			1.793	
110	3C081-83790	INSULATION HEAT	2			0.099	
120	3C081-83810	INSULATION HEAT	1			0.059	
130	3C001-83300	SEAL RUBBER	1			0.462	
140	6A320-54370	TRIM SKIRT	2			0.017	
150	3C081-83422	LOCK BONNET	1			0.748	
160	01754-50616	BOLT FLANGE	4			0.013	
170	3C081-83253	NET FRONT GRILLE	1			3.3	
180	02761-60060	NUT FLANGE	18			0.006	
190	30400-19060	BOLT FLANGE	21			0.013	
200	31351-18790	BOLT FLANGE	1			0.011	

HOOD(BONNET) UPPER

Figure Num 01M120

OLD PARTS



3C211-806-11

HOOD(BONNET) UPPER

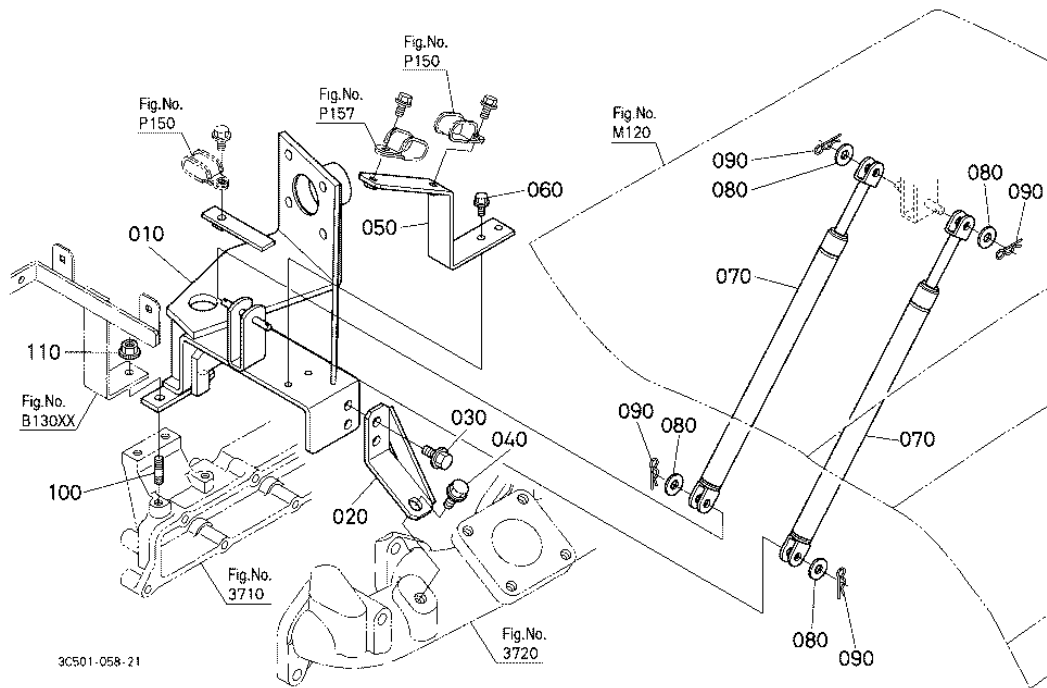
Ref	Part Number	Part Name	Qty	IC	S/N	Lbs	Remarks
020	3C081-21792	BRACKET LOCK	1	>>	>=52420	0.242	
020	3C081-21790	BRACKET LOCK	1		<=52419	0	
060	3C081-21720	SPRING	1	NI	>=52420	0	
060	52200-33730	SPRING INTERLOCKER	1		<=52419	0.044	
210	3C581-77320	CLAMP	1		<=52299	0	
210	3C581-77320	CLAMP	1		>=52150	0	
220	38240-29250	NUT SPRING	1		<=52299	0.011	

HOOD(BONNET) UPPER

Ref	Part Number	Part Name	Qty	IC	S/N	Lbs	Remarks
220	38240-29250	NUT SPRING	1		>=52150	0.011	
230	01754-50614	BOLT FLANGE	1		<=52299	0.011	
230	01754-50614	BOLT FLANGE	1		>=52150	0.011	

**HOOD(BONNET)DAMPER ## NOTE:ORDER BY
REF.No.010.020, Fig.No.J27601, J27602-040 and Fig.No.M140-050.070 NEW
PARTS.**

Figure Num 01M123



HOOD(BONNET)DAMPER

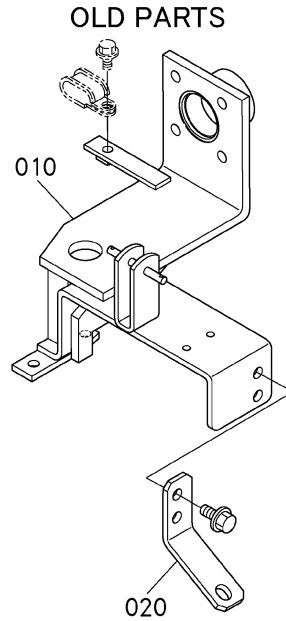
Ref	Part Number	Part Name	Qty	IC	S/N	Lbs	Remarks
010	3C501-83325	SUPPORT DAMPER	1	NI		8.36	
010	3C501-83324	SUPPORT DAMPER	1			8.36	SEE NOTE
020	3C501-83332	STAY DAMPER	1	>>		0.396	
020	3C501-83330	STAY DAMPER	1			0	
030	01774-61020	BOLT FLANGE	2			0.048	
040	01774-51016	BOLT FLANGE	1			0.044	

HOOD(BONNET)DAMPER

Ref	Part Number	Part Name	Qty	IC	S/N	Lbs	Remarks
050	3C501-83410	STAY HOSE	1			0.726	
060	01754-50616	BOLT FLANGE	2			0.013	
070	3C081-83310	DAMPER BONNET	2			0.957	
080	04013-60080	WASHER PLAIN	4			0.004	
090	05516-50800	PIN SNAP	4			0.004	
100	01513-60820	STUD	2			0.033	
110	02751-50080	NUT FLANGE	2			0.013	

**HOOD(BONNET)DAMPER ## NOTE:ORDER BY
REF.No.010.020, Fig.No.J27601,J27602-040 and Fig.No.M140-050.070 NEW
PARTS.**

Figure Num 01M123



3C501-827-10

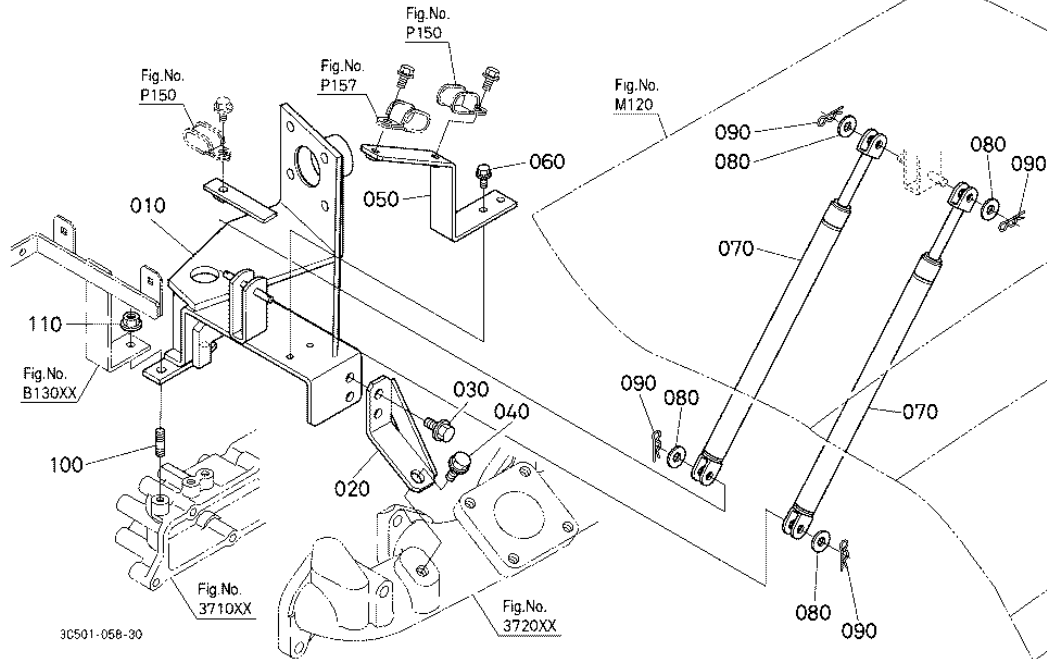
HOOD(BONNET)DAMPER

Ref	Part Number	Part Name	Qty	IC	S/N	Lbs	Remarks
010	3C501-83325	SUPPORT DAMPER	1	NI		8.36	
010	3C501-83324	SUPPORT DAMPER	1			8.36	SEE NOTE
020	3C501-83332	STAY DAMPER	1	>>		0.396	
020	3C501-83330	STAY DAMPER	1			0	

HOOD(BONNET) DAMPER [OLD TYPE] ## S.No.;<=54787

Figure Num 01M12301

NOTE:ORDER BY REF. No. 010,020 Fig. No. J27603-040 and Fig. No. M14002-050,070 NEW PARTS.



HOOD(BONNET) DAMPER [OLD TYPE]

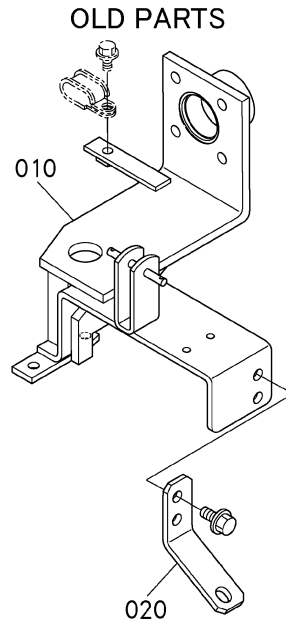
Ref	Part Number	Part Name	Qty	IC	S/N	Lbs	Remarks
010	3C501-83325	SUPPORT DAMPER	1	NI	>=52420	8.36	
010	3C501-83324	SUPPORT DAMPER	1		<=52419	8.36	SEE NOTE
020	3C501-83332	STAY DAMPER	1	>>	>=52420	0.396	
020	3C501-83330	STAY DAMPER	1		<=52419	0	
030	01774-61020	BOLT FLANGE	2			0.048	
040	01774-51016	BOLT FLANGE	1			0.044	
050	3C501-83410	STAY HOSE	1			0.726	

HOOD(BONNET) DAMPER [OLD TYPE]

Ref	Part Number	Part Name	Qty	IC	S/N	Lbs	Remarks
060	01754-50616	BOLT FLANGE	2			0.013	
070	3C081-83310	DAMPER BONNET	2			0.957	
080	04013-60080	WASHER PLAIN	4			0.004	
090	05516-50800	PIN SNAP	4			0.004	
100	01513-60820	STUD	2			0.033	
110	02751-50080	NUT FLANGE	2			0.013	

HOOD(BONNET) DAMPER [OLD TYPE] ## S.No.;<=54787

Figure Num 01M12301



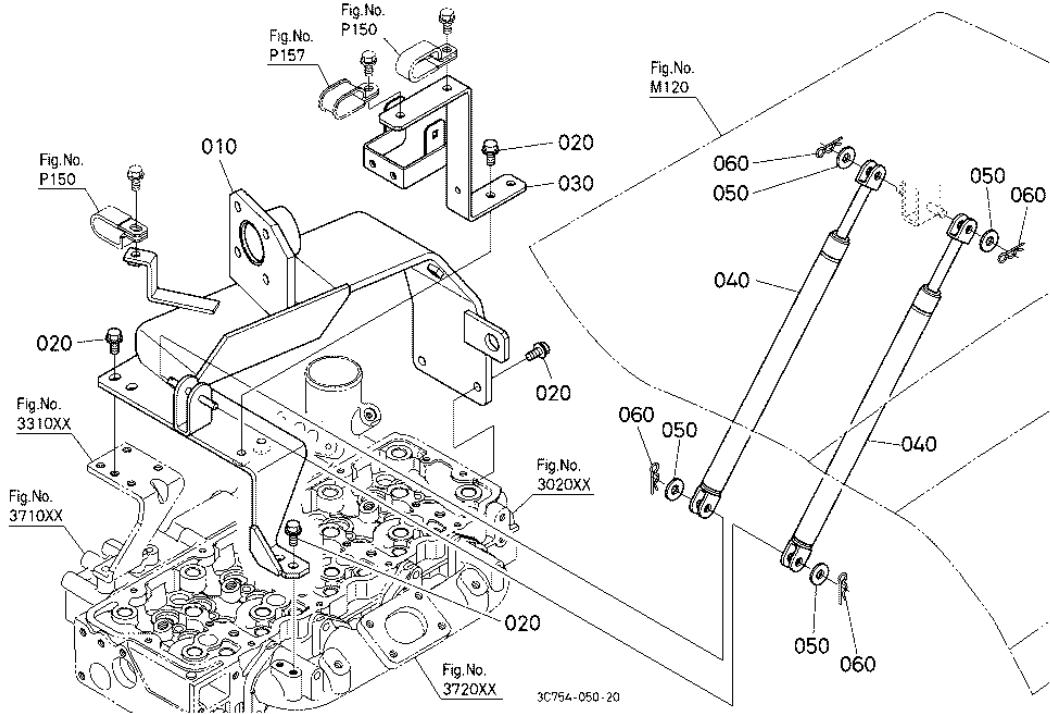
3C501-827-10

HOOD(BONNET) DAMPER [OLD TYPE]

Ref	Part Number	Part Name	Qty	IC	S/N	Lbs	Remarks
010	3C501-83325	SUPPORT DAMPER	1	NI	>=52420	8.36	
010	3C501-83324	SUPPORT DAMPER	1		<=52419	8.36	SEE NOTE
020	3C501-83332	STAY DAMPER	1	>>	>=52420	0.396	
020	3C501-83330	STAY DAMPER	1		<=52419	0	

HOOD(BONNET) DAMPER ## S.No.;>=80001

Figure Num 01M12302

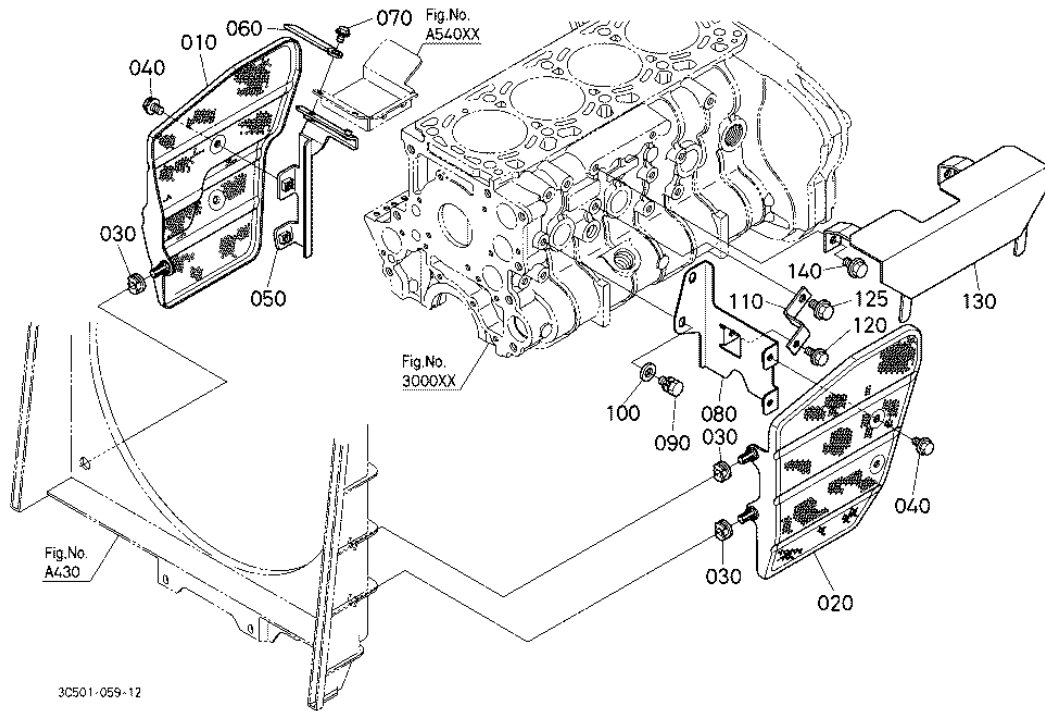


HOOD(BONNET) DAMPER

Ref	Part Number	Part Name	Qty	IC	S/N	Lbs	Remarks
010	3C502-83342	BRACKET CONTROLLER	1			0	
020	01754-50816	BOLT FLANGE	6			0.024	
030	3C502-83412	STAY HOSE	1			0	
040	3C081-83310	DAMPER BONNET	2			0.957	
050	04013-60080	WASHER PLAIN	4			0.004	
060	05516-50800	PIN SNAP	4			0.004	

HOOD(BONNET) SIDE COVER

Figure Num 01M12701



HOOD(BONNET) SIDE COVER

Ref	Part Number	Part Name	Qty	IC	S/N	Lbs	Remarks
010	3C081-83372	COVER RH	1			0.341	
020	3C081-83382	COVER LH	1			0.341	
030	3C081-83410	GROMMET	3			0.004	
040	30400-18870	BOLT FLANGE	4			0.022	
050	3C001-83392	STAY COVER RH	1		<=51501	0.396	
050	3C001-83393	STAY COVER RH	1	>>	>=51502	0.396	
060	12234-67580	CLAMP CORD	1			0.026	

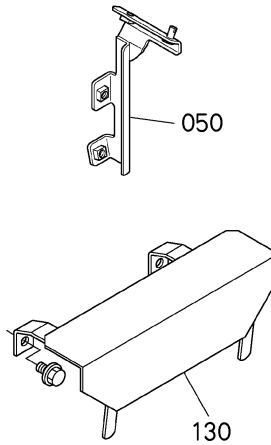
HOOD(BONNET) SIDE COVER

Ref	Part Number	Part Name	Qty	IC	S/N	Lbs	Remarks
070	01754-50812	BOLT FLANGE	1			0.022	
080	3C001-83400	STAY COVER LH	1			0.528	
090	01133-51016	BOLT	2			0.037	
100	04013-60100	WASHER PLAIN	2			0.006	
110	3C501-83430	STAY COVER LH	1			0.11	
120	01754-50816	BOLT FLANGE	1			0.024	
125	01774-51016	BOLT FLANGE	1			0.044	
130	3C501-72342	COVER HOSE	1		<=54543	1.496	
130	3C502-72340	COVER HOSE	1	>>	>=54544	0	
140	01774-51016	BOLT FLANGE	2			0.044	

HOOD(BONNET) SIDE COVER

Figure Num 01M12701

OLD PARTS



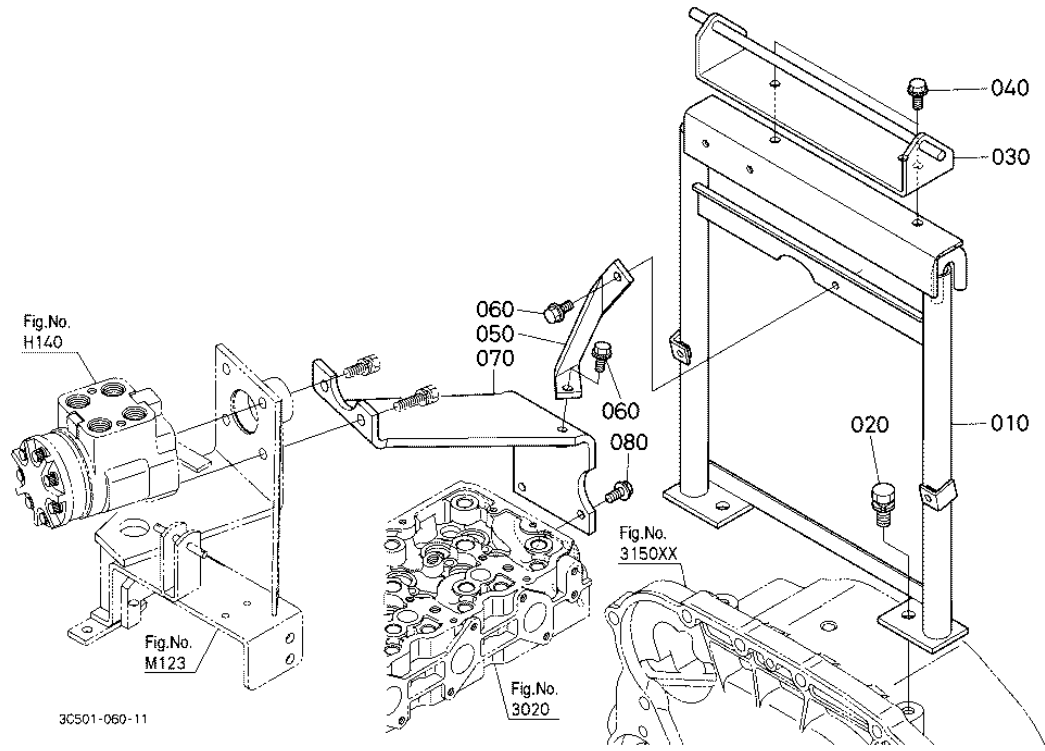
3C051-816-11

HOOD(BONNET) SIDE COVER

Ref	Part Number	Part Name	Qty	IC	S/N	Lbs	Remarks
050	3C001-83393	STAY COVER RH	1	>>	>=51502	0.396	
050	3C001-83392	STAY COVER RH	1		<=51501	0.396	
130	3C502-72340	COVER HOSE	1	>>	>=54544	0	
130	3C501-72342	COVER HOSE	1		<=54543	1.496	

**BONNET SUPPORT ## NOTE:ORDER BY
REF.No.050.070, Fig.No.J27601, J27602-040 and Fig.No.M123-010.020 NEW
PARTS.**

Figure Num 01M140



BONNET SUPPORT

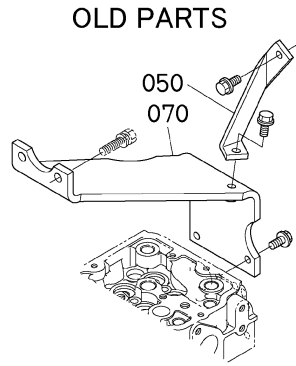
Ref	Part Number	Part Name	Qty	IC	S/N	Lbs	Remarks
010	3C501-83594	SUPPORT BONNET REAR	1	>>	>=52420	7.7	
010	3C501-83593	SUPPORT BONNET REAR	1		<=52419	7.7	
020	01133-51225	BOLT	2			0.077	
030	3C581-83652	SUPPORT BONNET REAR	1			2.31	
040	01754-50816	BOLT FLANGE	2			0.024	
050	3C501-83583	STAY P/S	1	>>	>=52420	0.924	

BONNET SUPPORT

Ref	Part Number	Part Name	Qty	IC	S/N	Lbs	Remarks
050	3C501-83582	STAY P/S	1		<=52419	0	
060	01754-50825	BOLT FLANGE	2			0.022	
070	3C501-83342	STAY DAMPER REAR	1	NI	>=52420	4.84	
070	3C501-83340	STAY DAMPER	1		<=52419	4.84	SEE NOTE
080	01123-50820	BOLT	2			0.024	

**BONNET SUPPORT ## NOTE:ORDER BY
REF.No.050.070, Fig.No.J27601,J27602-040 and Fig.No.M123-010.020 NEW
PARTS.**

Figure Num 01M140



3C501-828-10

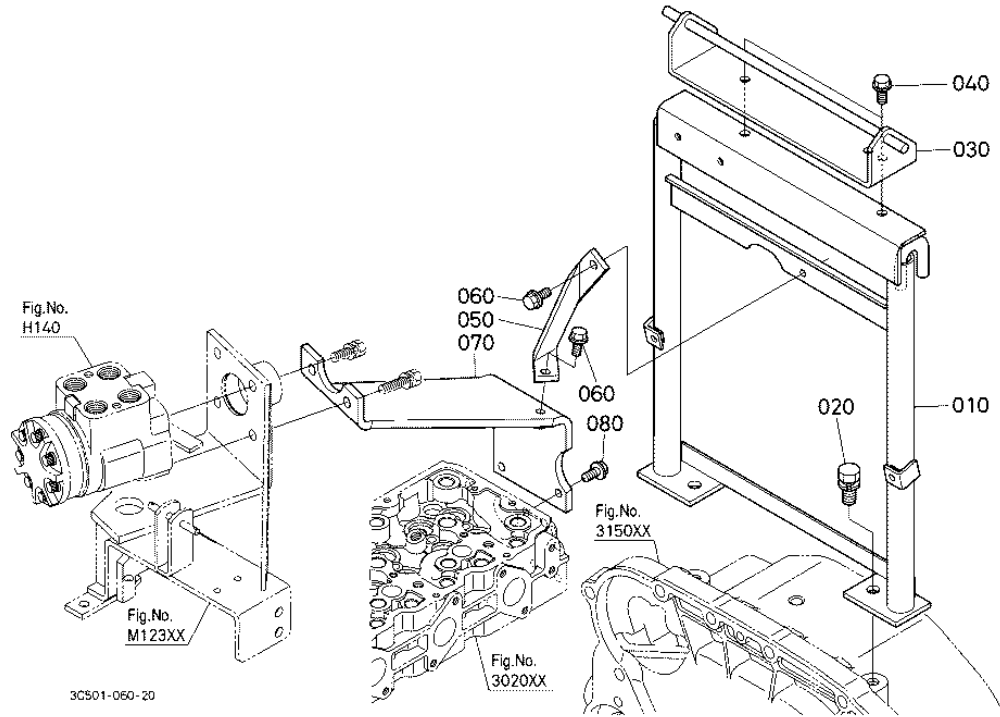
BONNET SUPPORT

Ref	Part Number	Part Name	Qty	IC	S/N	Lbs	Remarks
050	3C501-83583	STAY P/S	1	>>	>=52420	0.924	
050	3C501-83582	STAY P/S	1		<=52419	0	
070	3C501-83342	STAY DAMPER REAR	1	NI	>=52420	4.84	
070	3C501-83340	STAY DAMPER	1		<=52419	4.84	SEE NOTE

BONNET SUPPORT [OLD TYPE] ## S.No.;<=54787

Figure Num 01M14001

NOTE: ORDER BY REF. No. 050, 070 Fig. No. J27603-040 and Fig. No. M12301-010, 020 NEW PARTS.



BONNET SUPPORT [OLD TYPE]

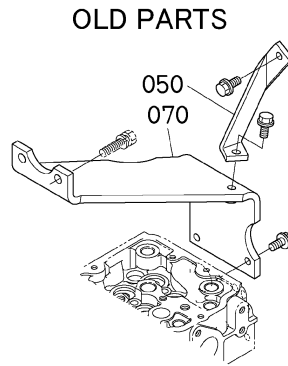
Ref	Part Number	Part Name	Qty	IC	S/N	Lbs	Remarks
010	3C501-83594	SUPPORT BONNET REAR	1	>>	>=52420	7.7	
010	3C501-83593	SUPPORT BONNET REAR	1		<=52419	7.7	
020	01133-51225	BOLT	2			0.077	
030	3C581-83652	SUPPORT BONNET REAR	1			2.31	
040	01754-50816	BOLT FLANGE	2			0.024	
050	3C501-83583	STAY P/S	1	>>	>=52420	0.924	
050	3C501-83582	STAY P/S	1		<=52419	0	

BONNET SUPPORT [OLD TYPE]

Ref	Part Number	Part Name	Qty	IC	S/N	Lbs	Remarks
060	01754-50825	BOLT FLANGE	2			0.022	
070	3C501-83342	STAY DAMPER REAR	1	NI	>=52420	4.84	
070	3C501-83340	STAY DAMPER	1		<=52419	4.84	SEE NOTE
080	01123-50820	BOLT	2			0.024	

BONNET SUPPORT [OLD TYPE] ## S.No.;<=54787

Figure Num 01M14001



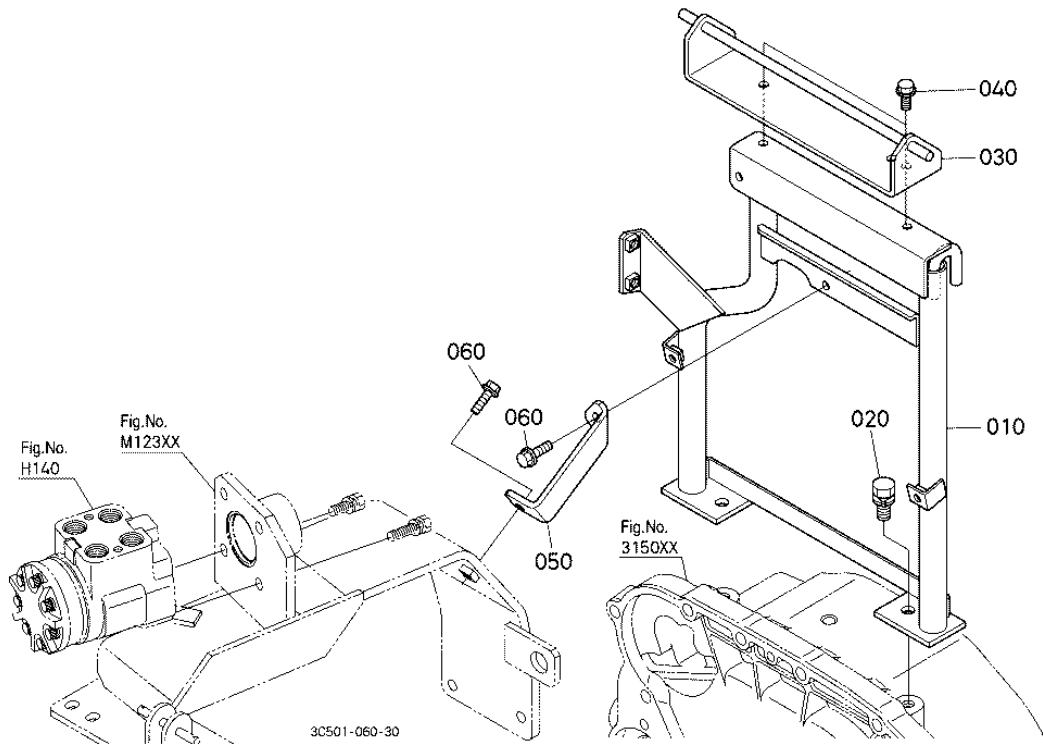
3C501-828-10

BONNET SUPPORT [OLD TYPE]

Ref	Part Number	Part Name	Qty	IC	S/N	Lbs	Remarks
050	3C501-83583	STAY P/S	1	>>	>=52420	0.924	
050	3C501-83582	STAY P/S	1		<=52419	0	
070	3C501-83342	STAY DAMPER REAR	1	NI	>=52420	4.84	
070	3C501-83340	STAY DAMPER	1		<=52419	4.84	SEE NOTE

BONNET SUPPORT [NEW TYPE] ## S.No.;>=80001

Figure Num 01M14002

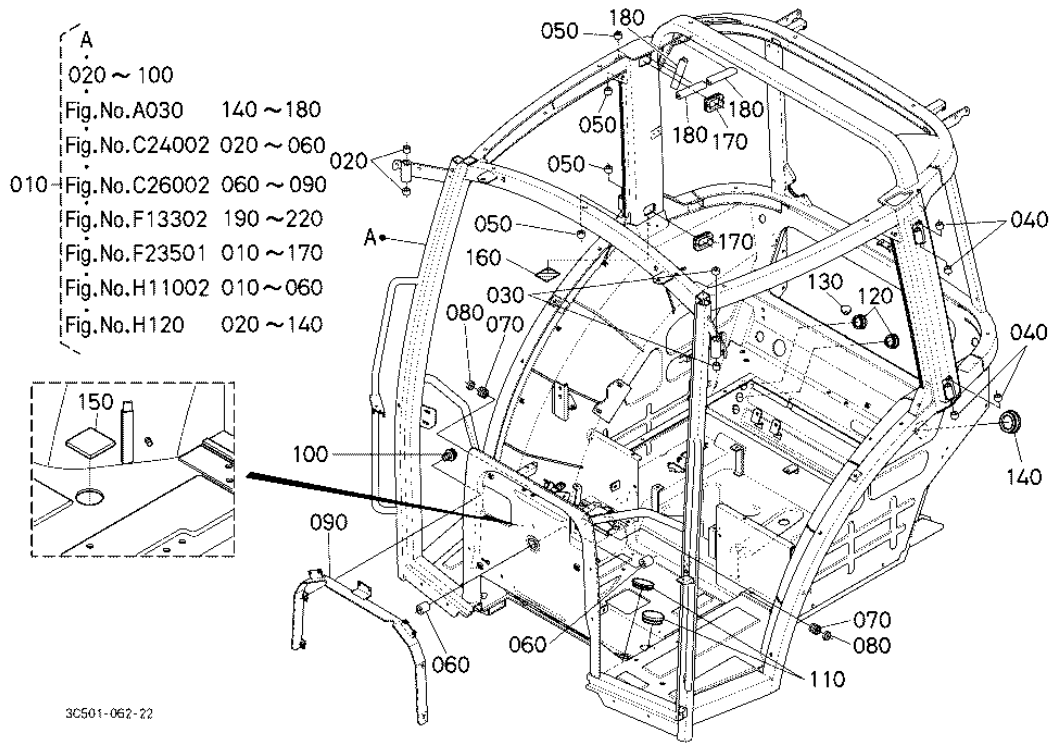


BONNET SUPPORT [NEW TYPE]

Ref	Part Number	Part Name	Qty	IC	S/N	Lbs	Remarks
010	3C754-83590	SUPPORT BONNET REAR	1			0	
020	01133-51225	BOLT	2			0.077	
030	3C581-83652	SUPPORT BONNET REAR	1			2.31	
040	01754-50816	BOLT FLANGE	2			0.024	
050	3C502-83580	STAY P/S	1			0	
060	01754-50825	BOLT FLANGE	2			0.022	

CAB FRAME

Figure Num 01N11002



CAB FRAME

Ref	Part Number	Part Name	Qty	IC	S/N	Lbs	Remarks
010	3C711-70500	COMP.CAB	1			0	
020	08511-01610	BUSH	2			0.011	
030	08511-01610	BUSH	2			0.011	
040	08511-01010	BUSH	4			0.006	
050	08511-01010	BUSH	4			0.006	
060	08511-02025	BUSH	2			0.044	
070	34070-44360	BEARING NEEDLE	2			0.022	

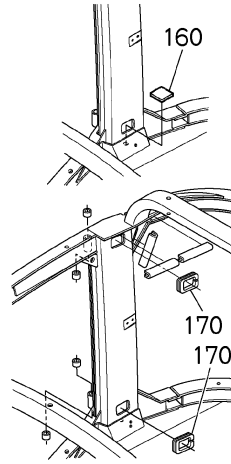
CAB FRAME

Ref	Part Number	Part Name	Qty	IC	S/N	Lbs	Remarks
080	34070-44140	SEAL OIL	2			0.011	
090	3C501-73920	COVER PANEL	1			1.1	
100	01754-50812	BOLT FLANGE	4			0.022	
110	36330-87470	COVER RUBBER	2			0.030	
120	63871-31230	PLUG RUBBER	2			0.022	
130	3P300-55770	PLUG	1			0.006	
140	36330-87470	COVER RUBBER	1			0.030	
150	3C581-74790	ABSORBER	1		>=51001	0.055	
160	3C581-74800	ABSORBER	1		>=51001	0	
160	33740-98800	LABEL	1	>>	>=51190	0.002	
170	3C754-75110	TRIM	2		>=54240	0	ORDER BY REF.No.17
170	3C754-75130	CUSHION	4	>>	>=54472	0	
180	3C754-75120	CUSHION	3		>=54240	0	

CAB FRAME

Figure Num 01N11002

OLD PARTS



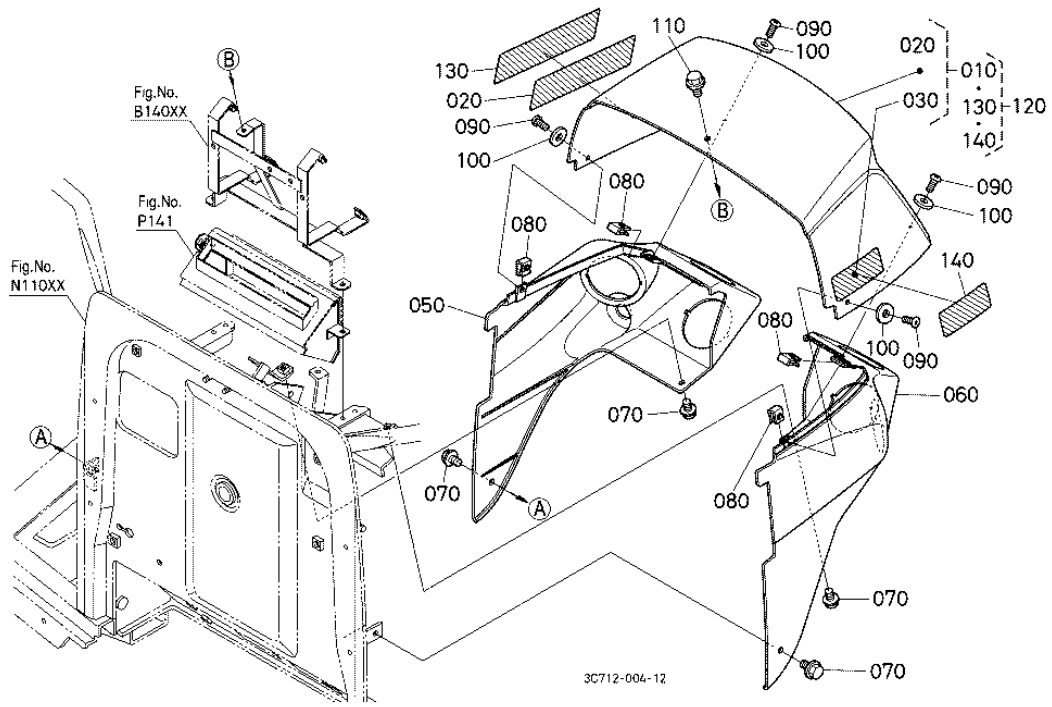
3C501-816-11

CAB FRAME

Ref	Part Number	Part Name	Qty	IC	S/N	Lbs	Remarks
160	33740-98800	LABEL	1	>>	>=51190	0.002	
160	3C581-74800	ABSORBER	1		>=51001	0	
170	3C754-75130	CUSHION	4	>>	>=54472	0	
170	3C754-75110	TRIM	2		>=54240	0	ORDER BY REF.No.17

HOOD(BONNET) REAR [A]

Figure Num 01N11702



HOOD(BONNET) REAR [A]

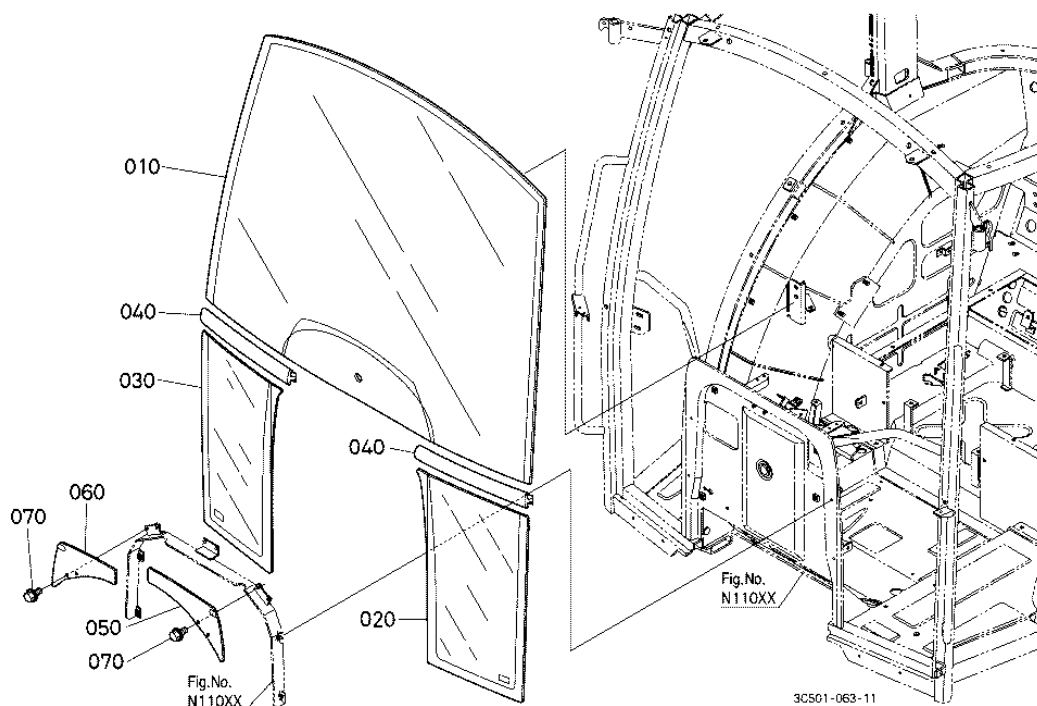
Ref	Part Number	Part Name	Qty	IC	S/N	Lbs	Remarks
010	3C711-99620	KIT BONNET UPPER	1			0	ENGLISH
020	3C581-98580	LABEL START CAUTION	1	>>	>=51721	0	ENGLISH
020	TA040-49650	LABEL START CAUTION	1		<=51720	0.008	ENGLISH
030	3F240-98570	LABEL SHUTTLE CAUTI.	1			0.002	ENGLISH
050	3C581-83560	BONNET REAR RH	1			0.792	
060	3C581-83570	BONNET REAR LH	1			0.792	
070	30400-18870	BOLT FLANGE	4			0.022	

HOOD(BONNET) REAR [A]

Ref	Part Number	Part Name	Qty	IC	S/N	Lbs	Remarks
080	T0270-54930	NUT SPRING	4			0.004	
090	36919-50670	SCREW WITH WASHER	4			0.004	
100	04013-60040	WASHER PLAIN	4			0.004	
110	32781-30190	BOLT FLANGE	1			0.006	
120	3C712-99620	KIT BONNET UPPER	1			0	FRENCH
130	3C582-98580	LABEL START CAUTION	1	>>	>=51721	0.011	FRENCH
130	TA041-49650	LABEL START CAUTION	1		<=51720	0.008	FRENCH
140	3F241-98570	LABEL SHUTTLE CAUTI.	1			0.004	FRENCH

FRONT GLASS

Figure Num 01N120



FRONT GLASS

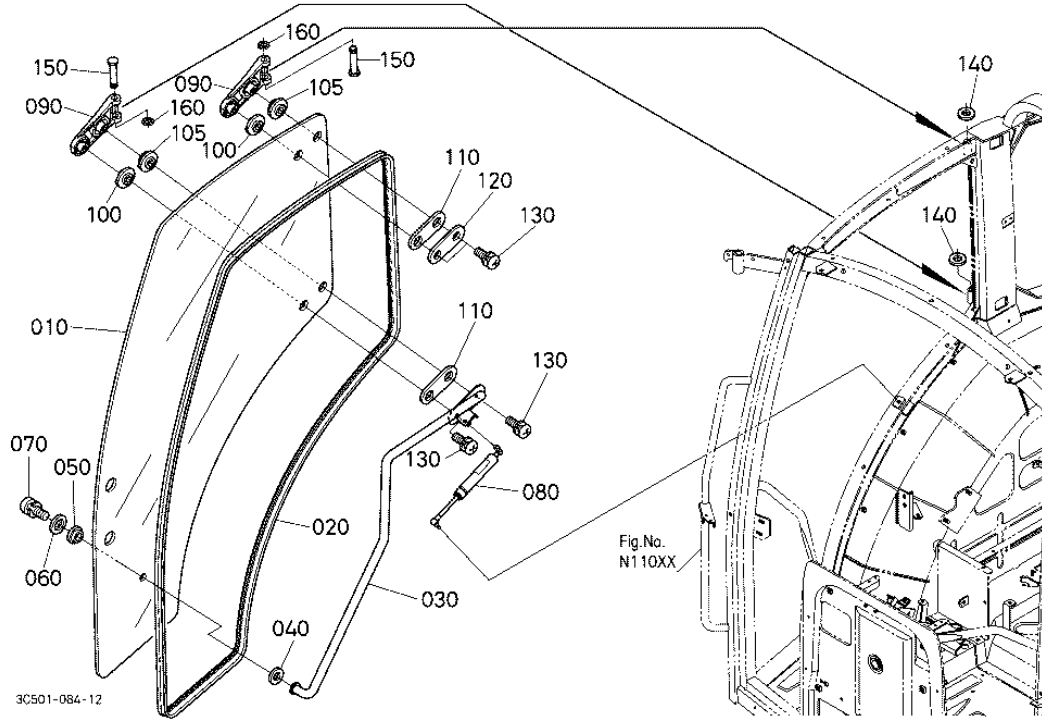
Ref	Part Number	Part Name	Qty	IC	S/N	Lbs	Remarks
010	3C581-70512	GLASS FRONT UPPER	1	>>	>=52150	26.4	
010	3C581-70510	GLASS FRONT UPPER	1		<=52149	0	
020	3C581-70560	GLASS FRONT LOWER LH	1			5.5	
030	3C581-70520	GLASS FRONT LOWER RH	1			5.5	
040	T1065-70590	SHIELD FRONT GLASS	2			0.044	
050	3C501-52930	COVER GLASS LH	1			0.088	
060	3C501-52940	COVER GLASS RH	1			0.088	

FRONT GLASS

Ref	Part Number	Part Name	Qty	IC	S/N	Lbs	Remarks
070	01754-60612	BOLT FLANGE	4			0.011	

DOOR RH ## NOTE:ORDER BY REF.No.010 to 030 and 100,105 NEW PARTS.

Figure Num 01N125



DOOR RH

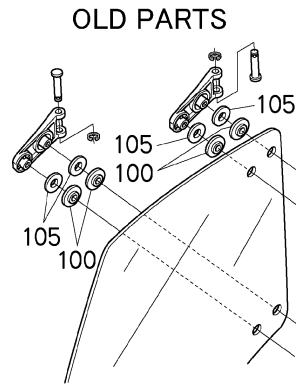
Ref	Part Number	Part Name	Qty	IC	S/N	Lbs	Remarks
010	3C581-70674	GLASS DOOR RH	1	>>	>=50822	35.2	SEE NOTE
010	3C581-70675	GLASS DOOR RH	1	NI	>=51924	35.2	
010	3C581-70670	GLASS DOOR RH	1		<=50821	35.2	
020	3C581-70690	SHIELD WEATHER STRIP	1		<=51189	0	
020	3C581-70692	SHIELD WEATHER STRIP	1	>>	>=51190	2.86	
030	3C581-70753	HANDLE DOOR RH	1		<=52686	3.058	

DOOR RH

Ref	Part Number	Part Name	Qty	IC	S/N	Lbs	Remarks
030	3C581-70754	HANDLE DOOR RH	1	>>	>=52687	3.058	
040	T0270-61750	GASKET DOOR HANDLE	1			0.006	
050	36919-53702	GASKET	1			0.006	
060	34070-71050	WASHER	1			0.022	
070	36919-56560	SCREW WITH WASHER	1			0.026	
080	3C581-52870	DAMPER	1			0.616	
090	3G710-70820	HINGE DOOR	2			1.518	
100	T0270-70800	GASKET DOOR HINGE	4		<=51720	0.024	
100	3C581-70800	GASKET DOOR HINGE	2	>>	>=51721	0.033	
105	3C581-70850	WASHER PLAIN	4		<=51720	0.066	
105	3C581-70810	GASKET DOOR HINGE	2	>>	>=51721	0.044	
110	T0270-70910	GASKET DOOR HINGE	2			0.092	
120	T0270-70930	PLATE DOOR HINGE	1			0.484	
130	36919-56560	SCREW WITH WASHER	4			0.026	
140	3F760-53460	BUSH	2			0.002	
150	3F760-53410	PIN DOOR HINGE	2			0.118	
160	04613-50080	CIR CLIP EXTERNAL	2			0.002	

DOOR RH ## NOTE:ORDER BY REF.No.010 to 030 and 100,105 NEW PARTS.

Figure Num 01N125



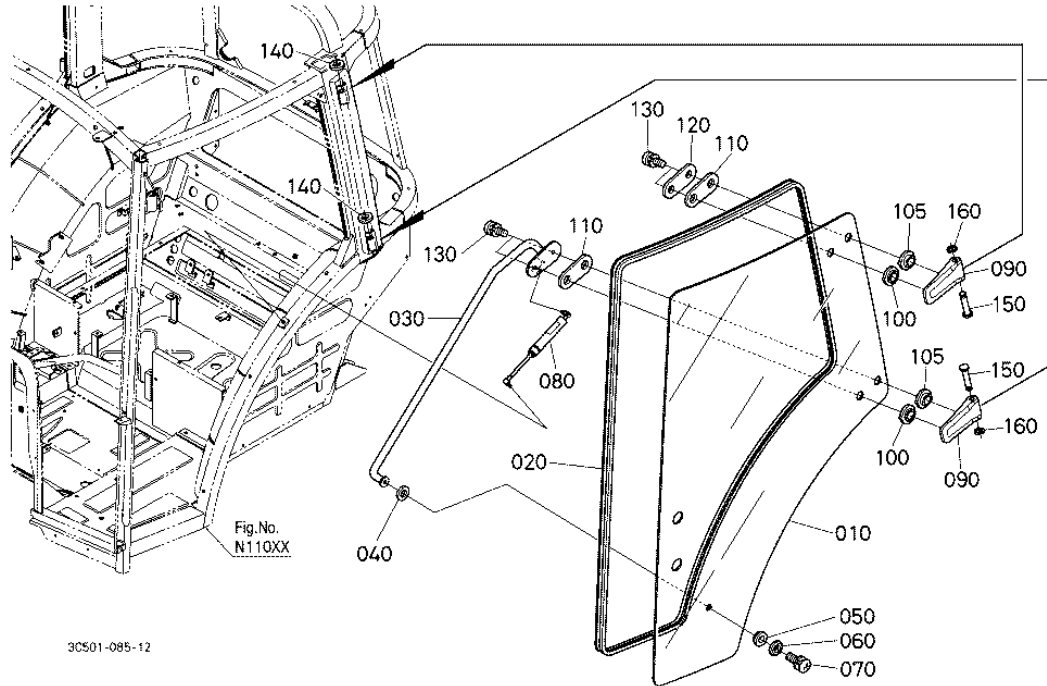
3C501-829-10

DOOR RH

Ref	Part Number	Part Name	Qty	IC	S/N	Lbs	Remarks
100	3C581-70800	GASKET DOOR HINGE	2	>>	>=51721	0.033	
100	T0270-70800	GASKET DOOR HINGE	4		<=51720	0.024	
105	3C581-70810	GASKET DOOR HINGE	2	>>	>=51721	0.044	
105	3C581-70850	WASHER PLAIN	4		<=51720	0.066	

DOOR LH

Figure Num 01N130



DOOR LH

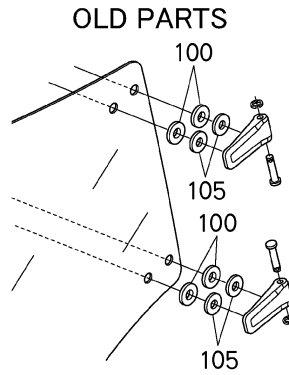
Ref	Part Number	Part Name	Qty	IC	S/N	Lbs	Remarks
010	3C581-70774	GLASS DOOR LH	1	>>	>=50822	35.2	
010	3C581-70770	GLASS DOOR LH	1		<=50821	35.2	
020	3C581-70683	SHIELD WEATHER STRIP	1		<=51189	0	
020	3C581-70684	SHIELD WEATHER STRIP	1	>>	>=51190	2.64	
030	3C581-70743	HANDLE DOOR LH	1		<=62686	0	
030	3C581-70744	HANDLE DOOR LH	1	>>	>=62687	2.86	
040	T0270-61750	GASKET DOOR HANDLE	1			0.006	

DOOR LH

Ref	Part Number	Part Name	Qty	IC	S/N	Lbs	Remarks
050	36919-53702	GASKET	1			0.006	
060	34070-71050	WASHER	1			0.022	
070	36919-56560	SCREW WITH WASHER	1			0.026	
080	3C581-52870	DAMPER	1			0.616	
090	3G710-70820	HINGE DOOR	2			1.518	
100	T0270-70800	GASKET DOOR HINGE	4		<=51720	0.024	
100	3C581-70800	GASKET DOOR HINGE	2	>>	>=51721	0.033	
105	3C581-70850	WASHER PLAIN	4		<=51720	0.066	
105	3C581-70810	GASKET DOOR HINGE	2	>>	>=51721	0.044	
110	T0270-70910	GASKET DOOR HINGE	2			0.092	
120	T0270-70930	PLATE DOOR HINGE	1			0.484	
130	36919-56560	SCREW WITH WASHER	4			0.026	
140	3F760-53460	BUSH	2			0.002	
150	3F760-53410	PIN DOOR HINGE	2			0.118	
160	04613-50080	CIR CLIP EXTERNAL	2			0.002	

DOOR LH

Figure Num 01N130



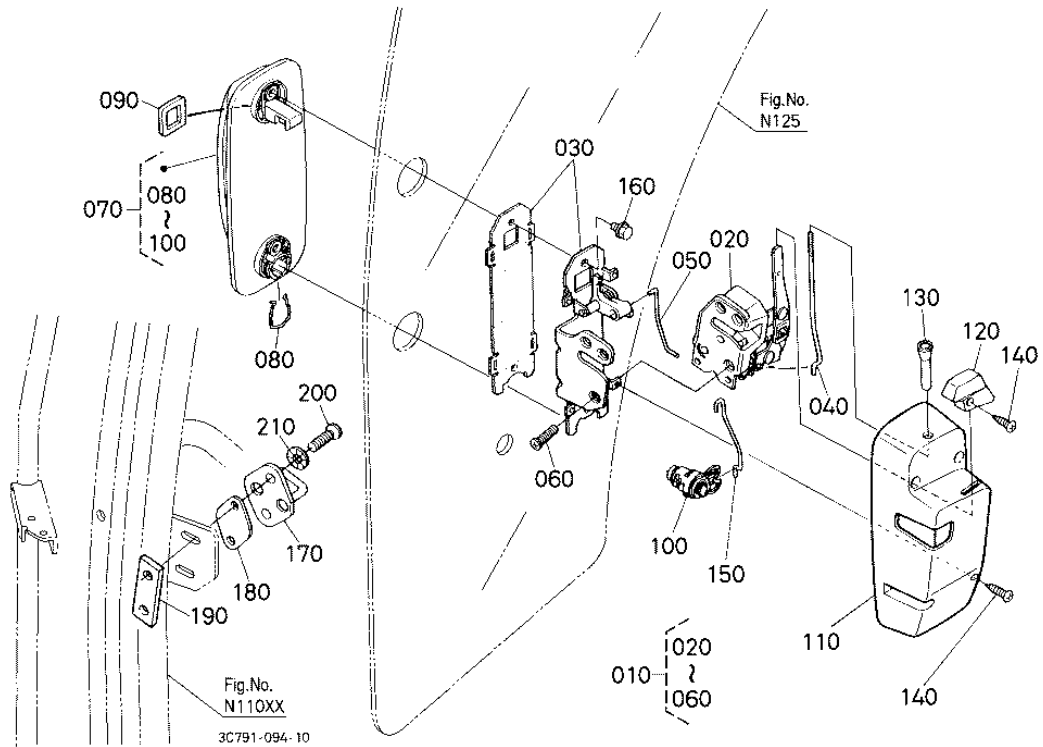
3C501-830-10

DOOR LH

Ref	Part Number	Part Name	Qty	IC	S/N	Lbs	Remarks
100	3C581-70800	GASKET DOOR HINGE	2	>>	>=51721	0.033	
100	T0270-70800	GASKET DOOR HINGE	4		<=51720	0.024	
105	3C581-70810	GASKET DOOR HINGE	2	>>	>=51721	0.044	
105	3C581-70850	WASHER PLAIN	4		<=51720	0.066	

DOOR LOCK RH

Figure Num 01N135



DOOR LOCK RH

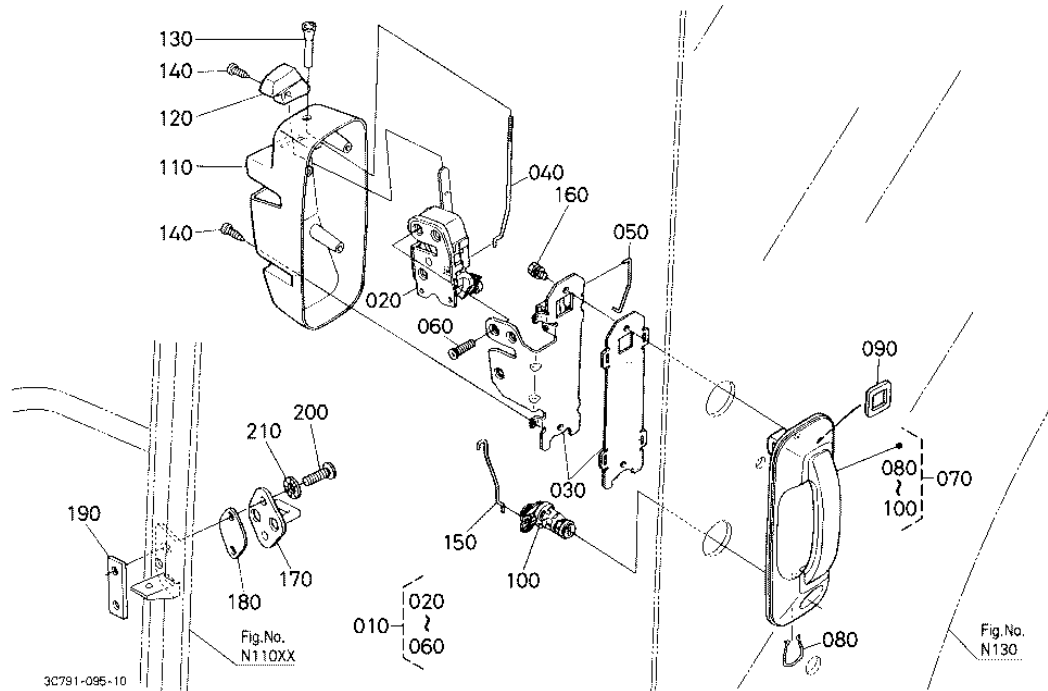
Ref	Part Number	Part Name	Qty	IC	S/N	Lbs	Remarks
010	T0270-86010	COMP.LOCK DOOR RH	1			1.408	
020	T0270-86020	ASSY LOCK DOOR RH	1			0.66	
030	T0270-86030	COMP.BRACKET	1			0.671	
040	T0270-86050	ROD INNER LOCK RH	1			0.037	
050	T0270-86060	ROD OUTER HANDLE RH	1			0.017	
060	T0270-85080	SCREW CSK-HD	3			0.019	
070	3F260-53250	ASSY HANDLE OUTER	1			0.572	

DOOR LOCK RH

Ref	Part Number	Part Name	Qty	IC	S/N	Lbs	Remarks
080	T0270-85120	RING KEY CYLINDER	1			0.008	
090	T0270-85180	SEAL OUTER HANDLE	1			0.013	
100	3F260-53190	CYLINDER KEY DOOR	1			0.088	
110	T0270-86150	COVER DOOR LOCK RH	1			0.165	
120	T0270-85140	KNOB DOOR LOCK	1			0.035	
130	T0270-85160	KNOB INNER LOCK	1			0.006	
140	T0270-85130	SCREW	5			0.004	
150	T0270-85070	ROD CYLINDER	1			0.017	
160	01023-50612	BOLT	2			0.011	
170	T0270-85170	STRIKER DOOR LOCK	1			0.209	
180	36530-53420	SHIM DOOR LOCK	1			0.044	
190	T0270-70890	NUT DOOR STRIKER	1			0.127	
200	3F760-53430	SCREW CSK-HD	2			0.017	
210	04414-50080	WASHER TOOTHED	2			0.002	

DOOR LOCK LH

Figure Num 01N140



DOOR LOCK LH

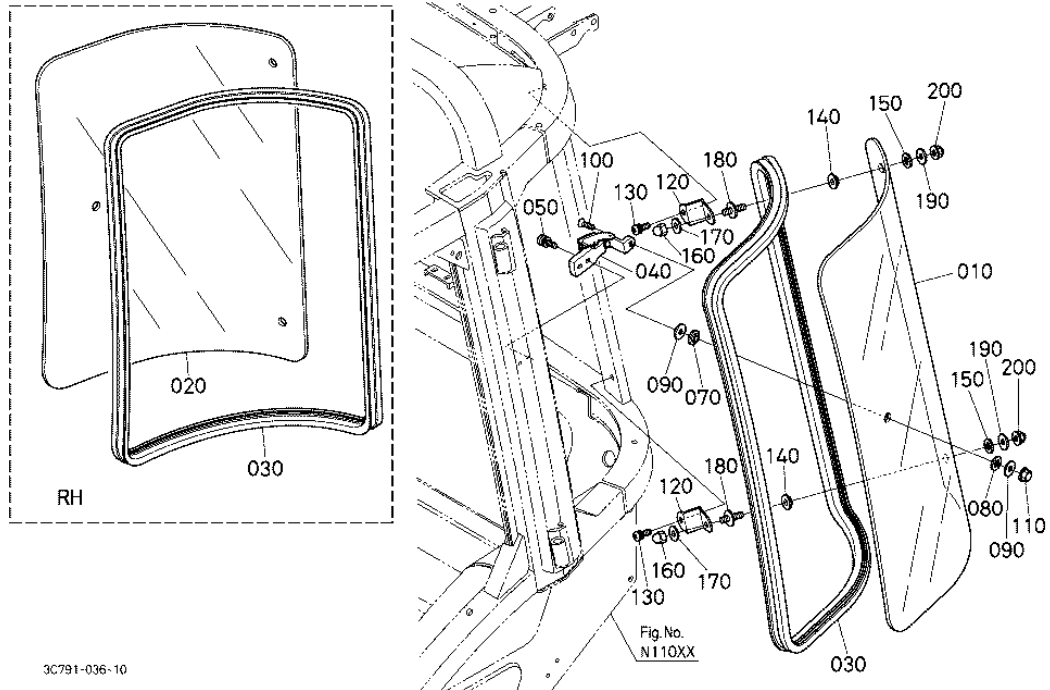
Ref	Part Number	Part Name	Qty	IC	S/N	Lbs	Remarks
010	T0270-85010	COMP.LOCK DOOR LH	1			1.408	
020	T0270-85020	ASSY LOCK DOOR LH	1			0.66	
030	T0270-85030	COMP.BRACKET	1			0.671	
040	T0270-85050	ROD INNER LOCK LH	1			0.037	
050	T0270-85060	ROD OUTER HANDLE LH	1			0.017	
060	T0270-85080	SCREW CSK-HD	3			0.019	
070	3F260-53250	ASSY HANDLE OUTER	1			0.572	

DOOR LOCK LH

Ref	Part Number	Part Name	Qty	IC	S/N	Lbs	Remarks
080	T0270-85120	RING KEY CYLINDER	1			0.008	
090	T0270-85180	SEAL OUTER HANDLE	1			0.013	
100	3F260-53190	CYLINDER KEY DOOR	1			0.088	
110	T0270-85150	COVER DOOR LOCK LH	1			0.154	
120	T0270-85140	KNOB DOOR LOCK	1			0.035	
130	T0270-85160	KNOB INNER LOCK	1			0.006	
140	T0270-85130	SCREW	5			0.004	
150	T0270-85070	ROD CYLINDER	1			0.017	
160	01023-50612	BOLT	2			0.011	
170	T0270-85170	STRIKER DOOR LOCK	1			0.209	
180	36530-53420	SHIM DOOR LOCK	1			0.044	
190	T0270-70890	NUT DOOR STRIKER	1			0.127	
200	3F760-53430	SCREW CSK-HD	2			0.017	
210	04414-50080	WASHER TOOTHED	2			0.002	

SIDE WINDOW [A]

Figure Num 01N14502



3C791-036-10

SIDE WINDOW [A]

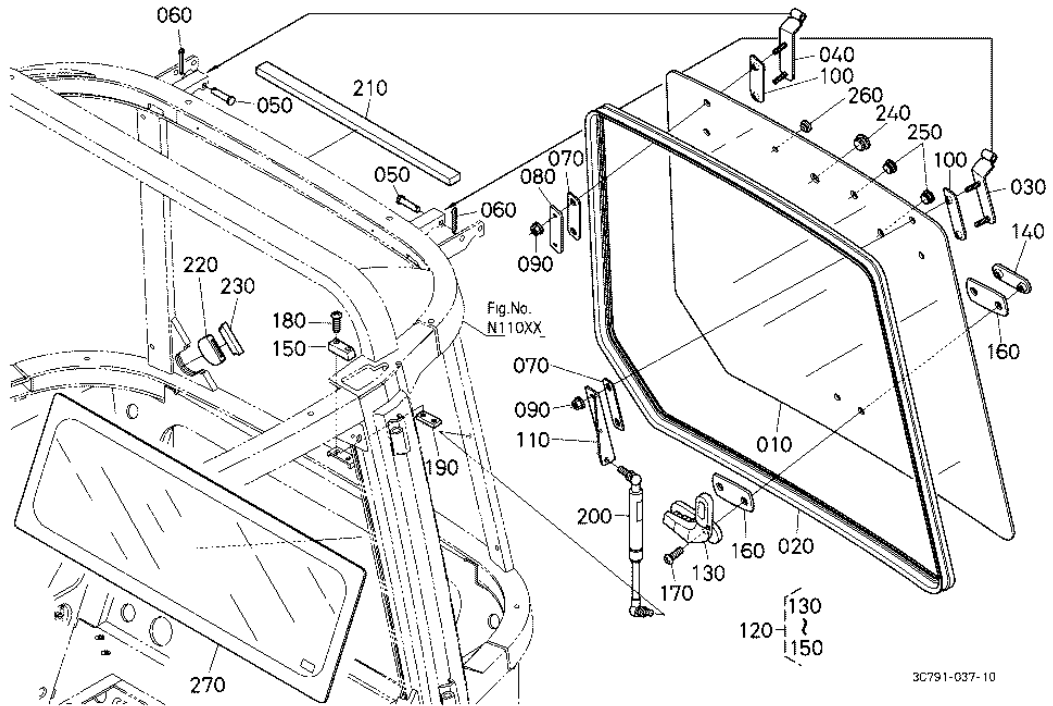
Ref	Part Number	Part Name	Qty	IC	S/N	Lbs	Remarks
010	3C581-70530	GLASS LH	1			8.36	
020	3C581-70540	GLASS RH	1			8.36	
030	3C581-61912	SHIELD	2		<=51189	0	
030	3C581-61913	SHIELD	2	>>	>=51190	1.386	
040	3G710-71490	COMP.LOCK WINDOW	2			0.11	
050	3F760-50390	SCREW	4			0.015	
070	30418-61742	RUBBER PROTECTOR	2			0.022	

SIDE WINDOW [A]

Ref	Part Number	Part Name	Qty	IC	S/N	Lbs	Remarks
080	30418-61842	SHIELD	2			0.002	
090	3F760-53540	WASHER PLAIN	4			0.026	
100	03056-50525	SCREW CSK-HD	2			0.008	
110	3F760-54850	NUT CAP	2			0.002	
120	3C581-61880	HINGE	4			0.033	
130	T0270-70810	SCREW	4			0.026	
140	30418-61742	RUBBER PROTECTOR	4			0.022	
150	30418-61842	SHIELD	4			0.002	
160	3C581-61870	NUT	4			0.011	
170	36919-54090	WASHER PLAIN	4			0.004	
180	3C581-61860	STUD	4			0.044	
190	34070-71050	WASHER	4			0.022	
200	34070-71060	NUT CAP	4			0.011	

REAR WINDOW [A] ## NOTE:ORDER BY REF.No.020,030 and 040 NEW PARTS.

Figure Num 01N15001



REAR WINDOW [A]

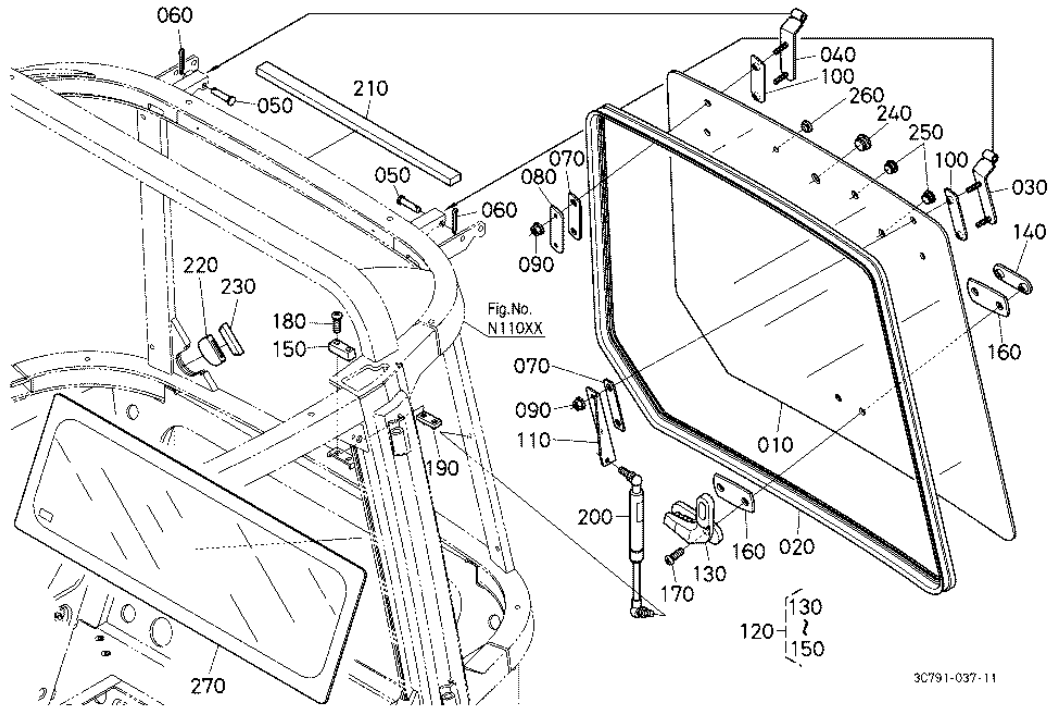
Ref	Part Number	Part Name	Qty	IC	S/N	Lbs	Remarks
010	3C581-70553	GLASS HATCH BACK	1	>>		14.3	NEW PART
010	3C581-70550	GLASS HATCH BACK	1			0	OLD PART
020	3C581-71042	STRIP REAR WEATHER	1			1.716	OLD PART SEE NOTE
020	3C581-71043	STRIP REAR WEATHER	1	NI		1.716	NEW PART
030	3C581-71020	HINGE LH	1			0	OLD PART SEE NOTE
030	3C581-71022	HINGE LH	1	>>		0.286	NEW PART

REAR WINDOW [A]

Ref	Part Number	Part Name	Qty	IC	S/N	Lbs	Remarks
040	3C581-71030	HINGE RH	1			0	OLD PART SEE NOTE
040	3C581-71033	HINGE RH	1	>>		0.286	NEW PART
050	05122-50835	PIN JOINT	2			0.033	
060	05525-50800	PIN SNAP	2			0.002	
070	3C581-75620	GASKET	2			0.017	
080	3C581-61840	STAY RH	1			0.158	
090	T0270-86220	NUT	4			0.008	
100	3C581-61780	GASKET	2			0.050	
110	3C581-61830	BRACKET CYLINDER	1			0.385	
120	T0270-84500	COMP.HANDLE	1			0.462	
130	T0180-83510	HANDLE BODY	1			0.352	
140	T0180-83520	COVER HANDLE	1			0.088	
150	T0270-71090	BRACKET HANDLE COMP.	1			0.022	
160	T0270-61770	GASKET	2			0.022	
170	T0180-83610	SCREW PAN-HD	2			0.011	
180	T0180-83560	SCREW PAN-HD	2			0.008	
190	T0270-71070	HOLDER	1			0.048	
200	3C581-53770	DAMPER REAR	1			0.44	
210	3C581-71080	SHIELD	1			0.083	
220	3C581-53750	PLUG	1			0.068	
230	3C581-53760	SUPPORT	1			0.030	
240	41182-61150	PLUG	1			0.006	
250	3A751-55790	PLUG	2			0.008	
260	36919-52760	CAP RUBBER	1			0.004	
270	3C581-71010	GLASS REAR WINDOW	1			6.6	

REAR WINDOW [A] ## NOTE:ORDER BY REF.No.020,030 and 040 NEW PARTS.

Figure Num 01N15002



REAR WINDOW [A]

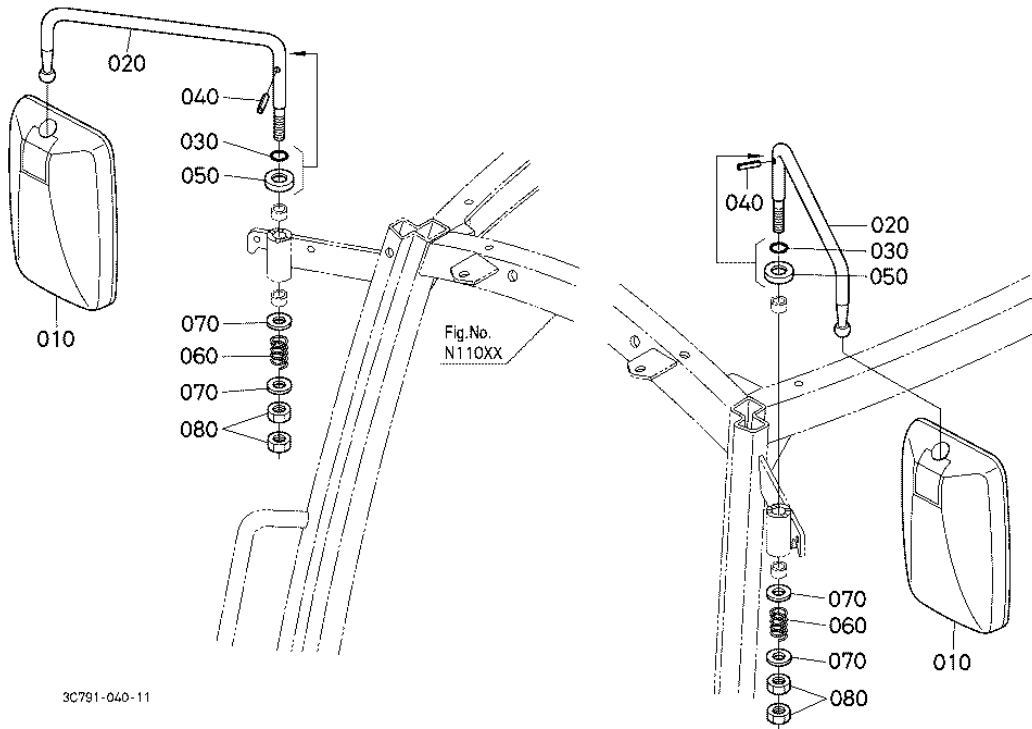
Ref	Part Number	Part Name	Qty	IC	S/N	Lbs	Remarks
010	3C581-70553	GLASS HATCH BACK	1	>>	>=51190	14.3	
010	3C581-70550	GLASS HATCH BACK	1		<=51189	0	
020	3C581-71042	STRIP REAR WEATHER	1		<=51501	1.716	SEE NOTE
020	3C581-71043	STRIP REAR WEATHER	1	NI	>=51502	1.716	
030	3C581-71020	HINGE LH	1		<=51501	0	ORDER BY REF.No.03
030	3C581-71022	HINGE LH	1	>>	>=51502	0.286	

REAR WINDOW [A]

Ref	Part Number	Part Name	Qty	IC	S/N	Lbs	Remarks
040	3C581-71030	HINGE RH	1		<=51501	0	ORDER BY REF.No.04
040	3C581-71033	HINGE RH	1	>>	>=51502	0.286	
050	05122-50835	PIN JOINT	2			0.033	
060	05525-50800	PIN SNAP	2			0.002	
070	3C581-75620	GASKET	2			0.017	
080	3C581-61840	STAY RH	1			0.158	
090	T0270-86220	NUT	4			0.008	
100	3C581-61780	GASKET	2			0.050	
110	3C581-61830	BRACKET CYLINDER	1			0.385	
120	T0270-84500	COMP.HANDLE	1			0.462	
130	T0180-83510	HANDLE BODY	1			0.352	
140	T0180-83520	COVER HANDLE	1			0.088	
150	T0270-71090	BRACKET HANDLE COMP.	1			0.022	
160	T0270-61770	GASKET	2			0.022	
170	T0180-83610	SCREW PAN-HD	2			0.011	
180	T0180-83560	SCREW PAN-HD	2			0.008	
190	T0270-71070	HOLDER	1			0.048	
200	3C581-53770	DAMPER REAR	1			0.44	
210	3C581-71080	SHIELD	1			0.083	
220	3C581-53750	PLUG	1			0.068	
230	3C581-53760	SUPPORT	1			0.030	
240	41182-61150	PLUG	1			0.006	
250	3A751-55790	PLUG	2			0.008	
260	3C581-55760	PLUG	1			0	
270	3C581-71010	GLASS REAR WINDOW	1			6.6	

REARVIEW MIRROR

Figure Num 01N158



REARVIEW MIRROR

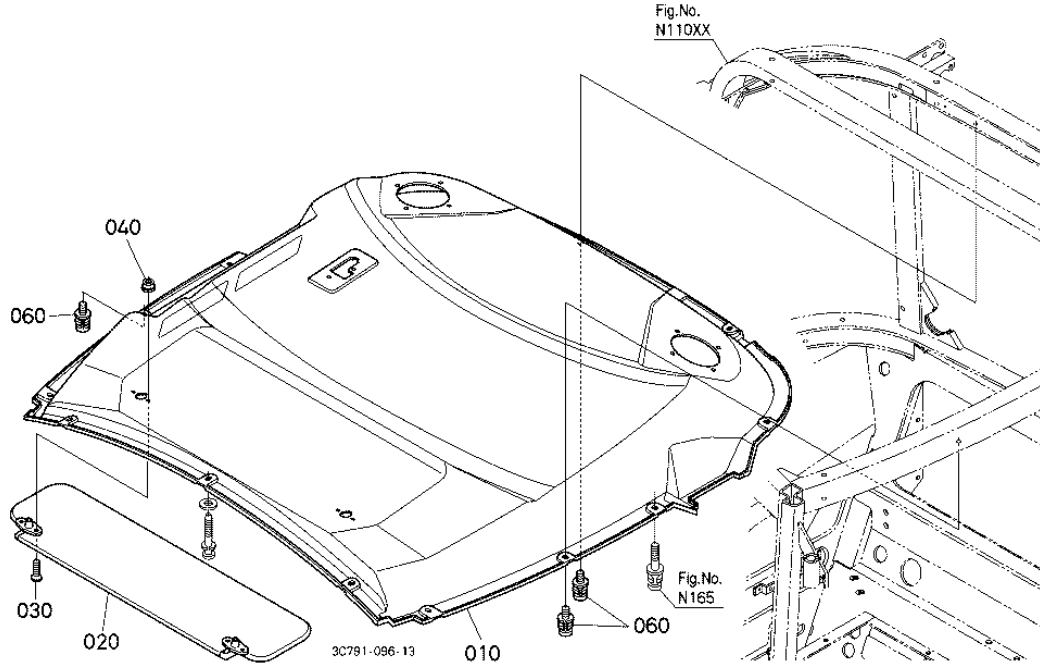
Ref	Part Number	Part Name	Qty	IC	S/N	Lbs	Remarks
010	3F260-53342	ASSY MIRROR REARVIEW	2			1.32	
020	3F260-53360	STAY REARVIEW MIRROR	2			1.694	
030	04816-00140	O RING	2			0.004	
040	05411-00630	PIN SPRING	2			0.008	
050	3G710-71620	CAP	2			0.024	
060	3F760-53880	SPRING	2			0.072	
070	34070-71630	WASHER	4			0.022	

REARVIEW MIRROR

Ref	Part Number	Part Name	Qty	IC	S/N	Lbs	Remarks
080	34070-71620	NUT	4			0.022	

INNER ROOF

Figure Num 01N16001



INNER ROOF

Ref	Part Number	Part Name	Qty	IC	S/N	Lbs	Remarks
010	3C581-87413	ROOF INNER	1	>>	>=51190	11	
010	3C581-87412	ROOF INNER	1		<=51189	9.9	
020	3G710-54230	SUNVISOR	1			0.825	
030	03056-50516	SCREW CSK-HD	4			0.052	
040	02761-50050	NUT FLANGE	4			0.004	
060	3F760-50390	SCREW	3			0.015	

INNER ROOF

Figure Num 01N16001

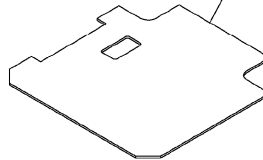
OLD PARTS

010



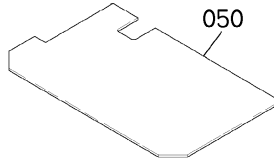
S.No. ; B : <=54754
C : <=54754

050



S.No. ; A : <=11030
B : <=54760
C : <=54760

050



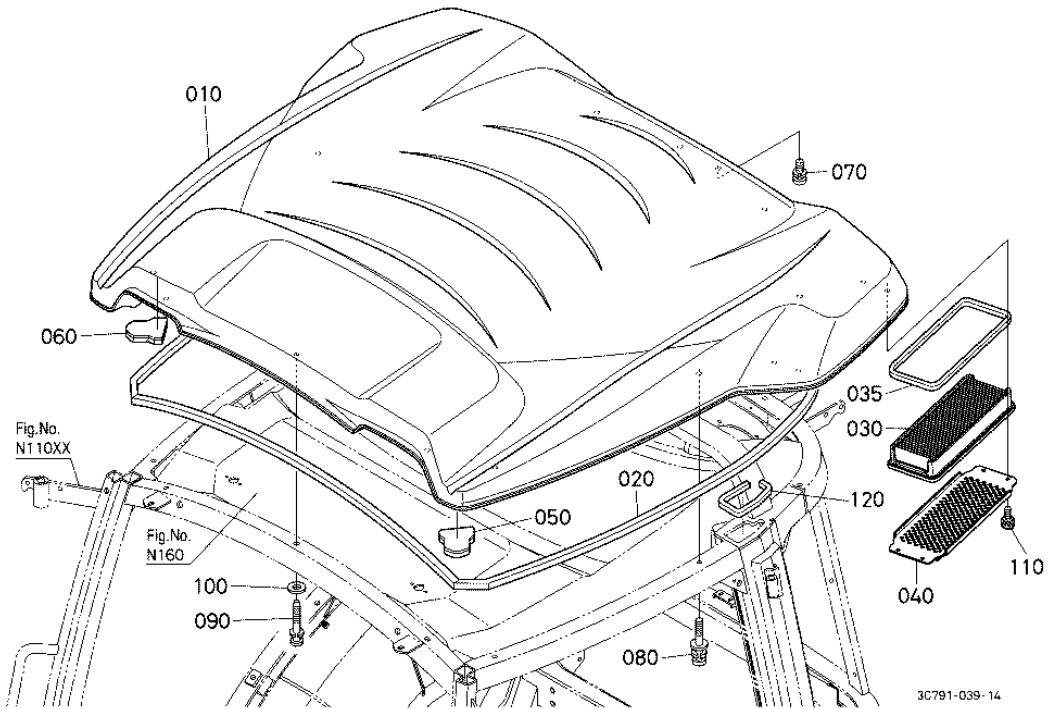
3C791-810-20

INNER ROOF

Ref	Part Number	Part Name	Qty	IC	S/N	Lbs	Remarks
010	3C581-87413	ROOF INNER	1	>>	>=51190	11	
010	3C581-87412	ROOF INNER	1		<=51189	9.9	
050	3C581-74812	SPONGE ROOF	1		<=54760	0.836	

OUTER ROOF

Figure Num 01N165



OUTER ROOF

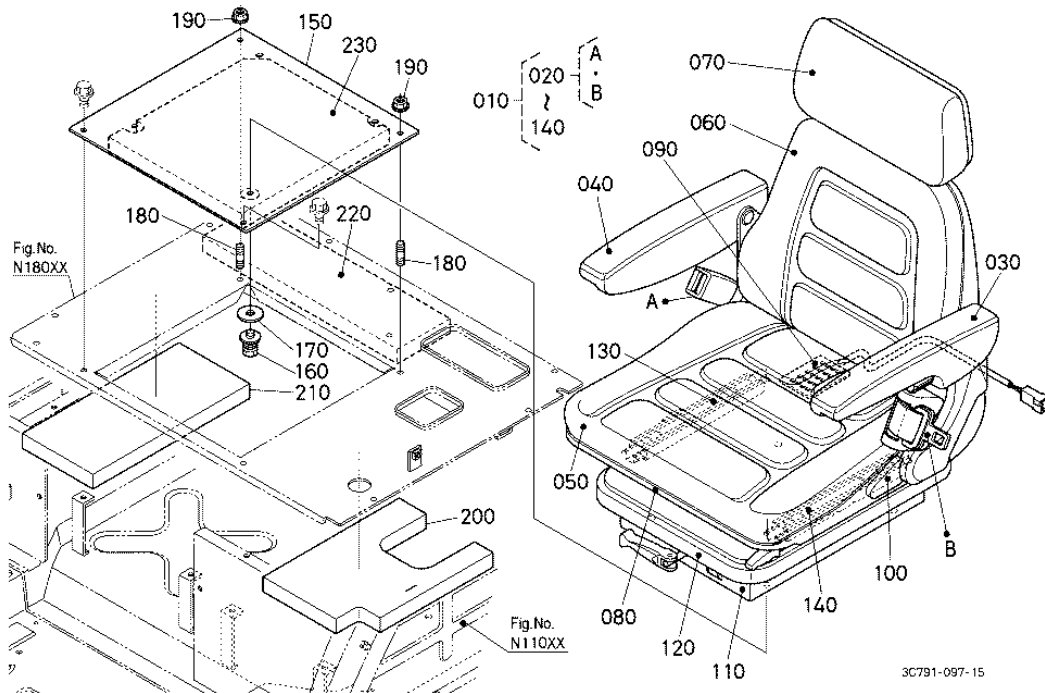
Ref	Part Number	Part Name	Qty	IC	S/N	Lbs	Remarks
010	3C581-71512	ROOF OUTER	1			22	
020	3C581-71520	SHIELD OUTER ROOF	1			0.418	
030	T1855-71600	FILTER	1	=		0.594	
030	TA043-71600	FILTER PAPER	1			0.55	
035	3A851-71520	SPONGE	1			0.022	
040	3C581-56320	PLATE FILTER	1			0.396	
050	3C581-71530	GASKET OUTER ROOF L	1			0.024	

OUTER ROOF

Ref	Part Number	Part Name	Qty	IC	S/N	Lbs	Remarks
060	3C581-71550	GASKET OUTER ROOF R	1			0.024	
070	3F760-50390	SCREW	2			0.015	
080	T1065-74270	SCREW	8			0.041	
090	3G710-56350	SCREW	3			0.035	
100	31351-18860	WASHER	3	>>	>=51190	0.004	
100	33740-54090	WASHER PLAIN	3		<=51189	0.002	
110	36919-56530	SCREW	4			0.024	
120	3C581-71542	GASKET	1			0.008	

SEAT

Figure Num 01N170



SEAT

Ref	Part Number	Part Name	Qty	IC	S/N	Lbs	Remarks
010	3N300-75750	ASSY SEAT	1			74.8	
020	3N300-85060	ASSY BELT SEAT	1			2.156	
030	3N300-85090	ASSY ARMREST LH	1			3.124	
040	3N300-85100	ASSY ARMREST RH	1			3.014	
050	3N300-85020	CUSHION	1			2.75	
060	3N300-85030	CUSHION BACKREST	1			2.09	
070	3N300-85040	BACK REST UPPER	1			3.674	

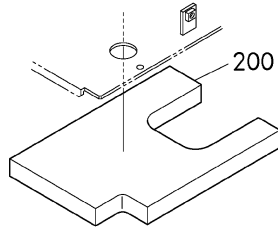
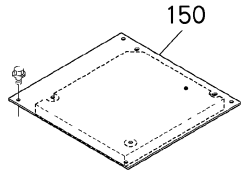
SEAT

Ref	Part Number	Part Name	Qty	IC	S/N	Lbs	Remarks
080	3N999-00410	TOP SEAT	1			17.90	
090	3N300-85070	SWITCH(OPC)	1			0.127	
100	3N999-00400	KIT LEVER	1			0.374	
110	3N999-00380	KIT SUSPENSION SEAT	1	=		32.16	
110	3N999-00370	KIT SUSPENSION SEAT	1			32.62	
120	3N999-00390	COVER SEAT	1			2.97	
130	3N999-00540	RAIL SLIDE RH	1			2.116	
140	3N999-00520	RAIL SLIDE LH	1			2.673	
150	3C581-75950	BRACKET SEAT	1		<=53532	0	
150	3C581-75952	BRACKET SEAT	1	>>	>=53533	5.94	
160	01125-60820	BOLT	4			0.033	
170	04015-60080	WASHER PLAIN	4			0.022	
180	01513-50822	STUD	2			0.022	
190	02763-60080	NUT FLANGE	2			0.011	
200	3C581-74920	ABSORBER SOUND	1		>=50822	0.121	
200	3C581-74922	ABSORBER SOUND	1	>>	>=54240	0.121	
210	3C581-74930	ABSORBER SOUND	1		>=50822	0.154	
220	3C581-74940	ABSORBER SOUND	1		>=50822	0.138	
230	3C581-74950	ABSORBER SOUND	1		>=50822	0.242	

SEAT

Figure Num 01N170

OLD PARTS



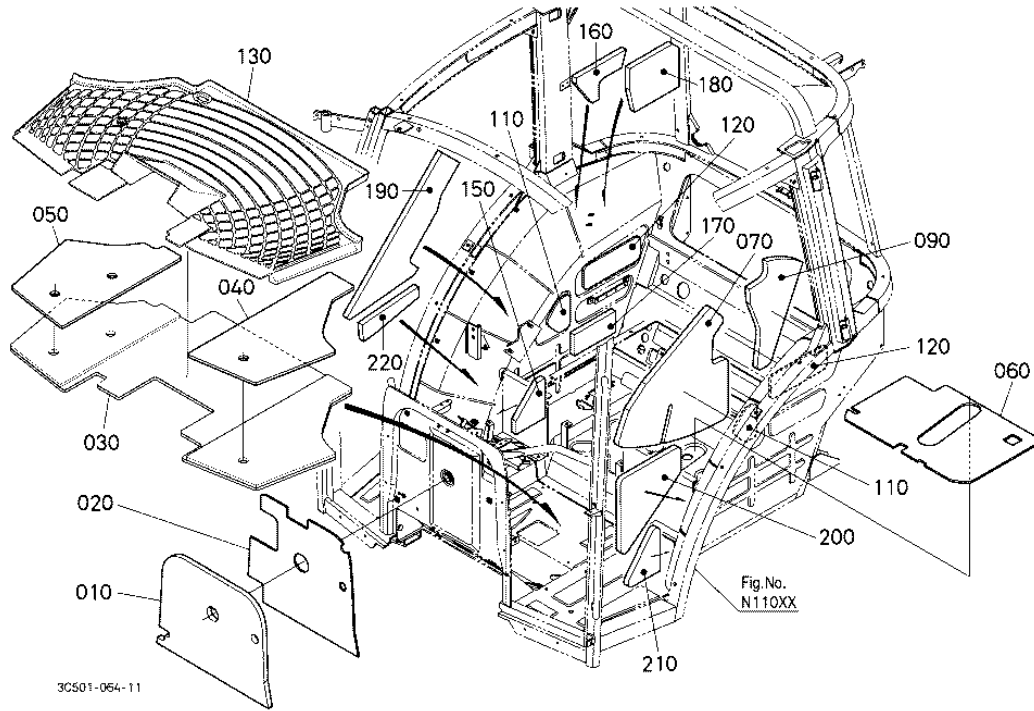
3C791-833-12

SEAT

Ref	Part Number	Part Name	Qty	IC	S/N	Lbs	Remarks
150	3C581-75952	BRACKET SEAT	1	>>	>=53533	5.94	
150	3C581-75950	BRACKET SEAT	1		<=53532	0	
200	3C581-74922	ABSORBER SOUND	1	>>	>=54240	0.121	
200	3C581-74920	ABSORBER SOUND	1		>=50822	0.121	

FLOOR MAT

Figure Num 01N175



FLOOR MAT

Ref	Part Number	Part Name	Qty	IC	S/N	Lbs	Remarks
010	3C501-55072	INSULATOR PANEL	1			0.22	
020	3C581-55030	INSULATOR	1		<=51000	1.705	
020	3C501-55030	INSULATOR	1	>>	>=51001	1.804	
030	3C581-74820	ABSORBER SOUND	1			7.7	
040	3C581-74960	ABSORBER STEP LH	1		>=50822	0.154	
050	3C581-74970	ABSORBER STEP RH	1		>=50822	0.143	
060	3C581-55080	INSULATOR	1			0.187	

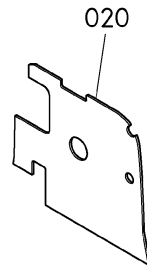
FLOOR MAT

Ref	Part Number	Part Name	Qty	IC	S/N	Lbs	Remarks
070	3C581-74840	ABSORBER FENDER LH	1			0.22	
090	3C581-74860	ABSORBER FENDER LH	1			0.077	
110	3C581-74880	INSULATOR FENDER	2			0.103	
120	3C581-74890	INSULATOR FENDER	2			0.250	
130	3C581-81680	MAT	1			10.12	
150	3C581-74712	ABSORBER FENDER RH	1			0.022	
160	3C581-74720	ABSORBER FENDER RH	1			0.022	
170	3C581-74730	ABSORBER FENDER RH	1			0.022	
180	3C581-74740	ABSORBER FENDER RH	1			0.066	
190	3C581-74750	ABSORBER FENDER RH	1			0.099	
200	3C581-74760	ABSORBER FENDER LH	1			0.066	
210	3C581-74770	ABSORBER FENDER LH	1			0.022	
220	3C581-74780	ABSORBER FENDER RH	1			0.022	

FLOOR MAT

Figure Num 01N175

OLD PARTS



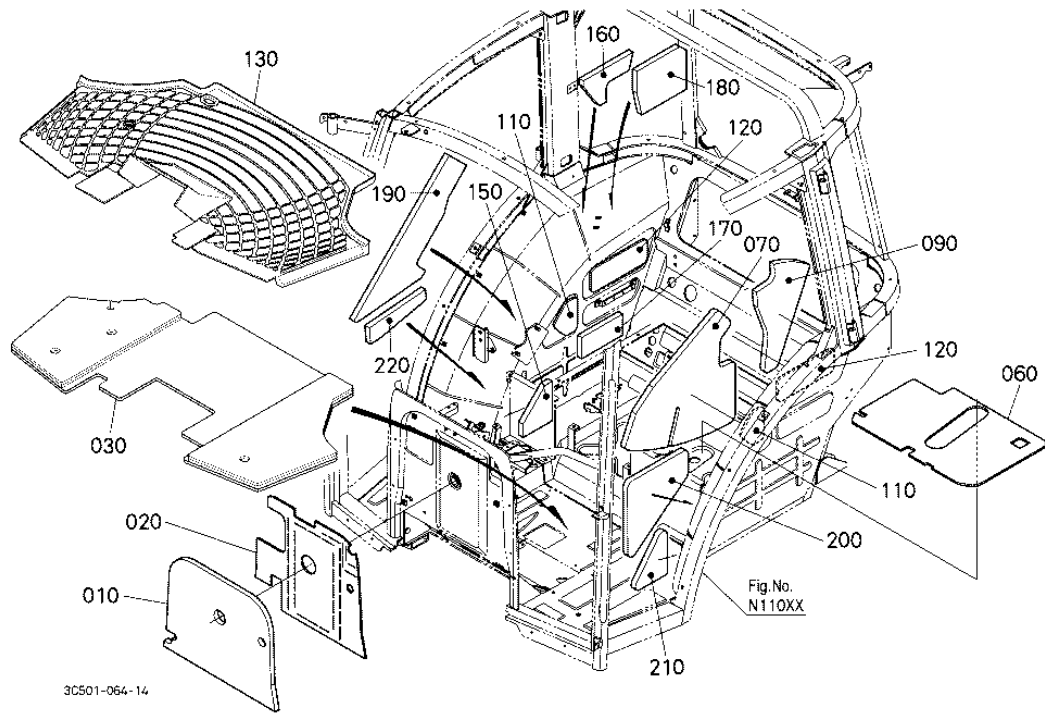
3C501-815-10

FLOOR MAT

Ref	Part Number	Part Name	Qty	IC	S/N	Lbs	Remarks
020	3C501-55030	INSULATOR	1	>>	>=51001	1.804	
020	3C581-55030	INSULATOR	1		<=51000	1.705	

FLOOR MAT

Figure Num 01N17501



FLOOR MAT

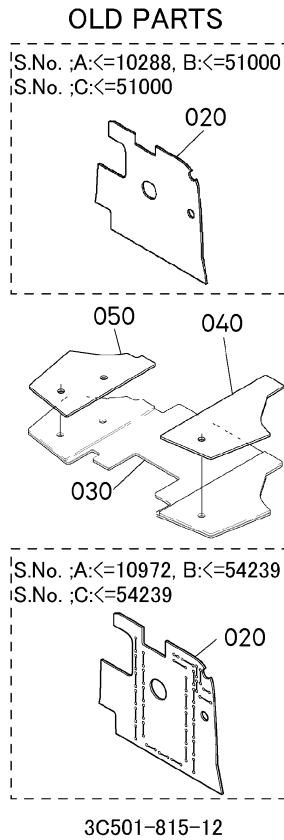
Ref	Part Number	Part Name	Qty	IC	S/N	Lbs	Remarks
010	3C501-55073	INSULATOR PANEL	1			0.22	
020	3C581-55030	INSULATOR	1		<=51000	1.705	
020	3C501-55030	INSULATOR	1	>>	>=51001	1.804	
020	3C501-55032	INSULATOR	1	>>	>=52150	1.804	
020	3C501-55033	INSULATOR	1	>>	>=54240	1.804	
030	3C581-74820	ABSORBER SOUND	1		<=52149	7.7	
030	3C581-74822	ABSORBER SOUND	1	>>	>=52150	7.7	

FLOOR MAT

Ref	Part Number	Part Name	Qty	IC	S/N	Lbs	Remarks
060	3C581-55080	INSULATOR	1			0.187	
070	3C581-74840	ABSORBER FENDER LH	1			0.22	
090	3C581-74860	ABSORBER FENDER LH	1			0.077	
110	3C581-74880	INSULATOR FENDER	2			0.103	
120	3C581-74890	INSULATOR FENDER	2			0.250	
130	3C581-81680	MAT	1			10.12	
150	3C581-74712	ABSORBER FENDER RH	1			0.022	
160	3C581-74720	ABSORBER FENDER RH	1			0.022	
170	3C581-74730	ABSORBER FENDER RH	1			0.022	
180	3C581-74740	ABSORBER FENDER RH	1			0.066	
190	3C581-74750	ABSORBER FENDER RH	1			0.099	
200	3C581-74760	ABSORBER FENDER LH	1			0.066	
210	3C581-74770	ABSORBER FENDER LH	1			0.022	
220	3C581-74780	ABSORBER FENDER RH	1			0.022	

FLOOR MAT

Figure Num 01N17501



FLOOR MAT

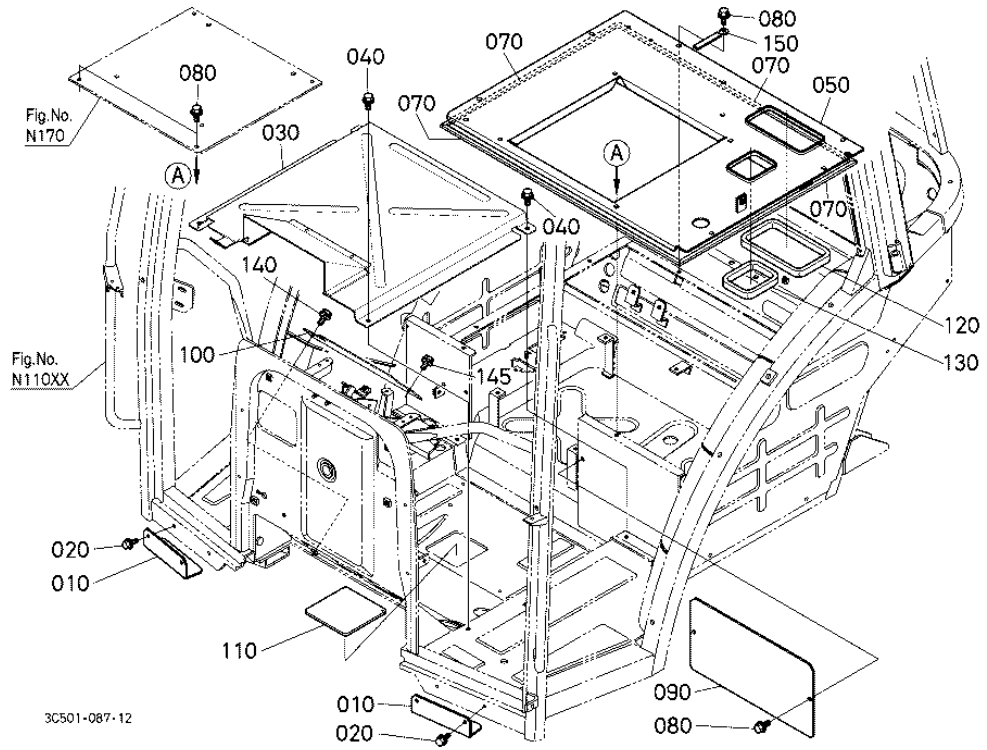
Ref	Part Number	Part Name	Qty	IC	S/N	Lbs	Remarks
020	3C501-55033	INSULATOR	1	>>	>=54240	1.804	
020	3C501-55032	INSULATOR	1	>>	>=52150	1.804	
020	3C501-55030	INSULATOR	1	>>	>=51001	1.804	
020	3C581-55030	INSULATOR	1		<=51000	1.705	
030	3C581-74822	ABSORBER SOUND	1	>>	>=52150	7.7	
030	3C581-74820	ABSORBER SOUND	1		<=52149	7.7	
040	3C581-74960	ABSORBER STEP LH	1		<=52299	0.154	

FLOOR MAT

Ref	Part Number	Part Name	Qty	IC	S/N	Lbs	Remarks
040	3C581-74960	ABSORBER STEP LH	1		>=50822	0.154	
050	3C581-74970	ABSORBER STEP RH	1		<=52299	0.143	
050	3C581-74970	ABSORBER STEP RH	1		>=50822	0.143	

INSPECTION PLATE

Figure Num 01N18002



INSPECTION PLATE

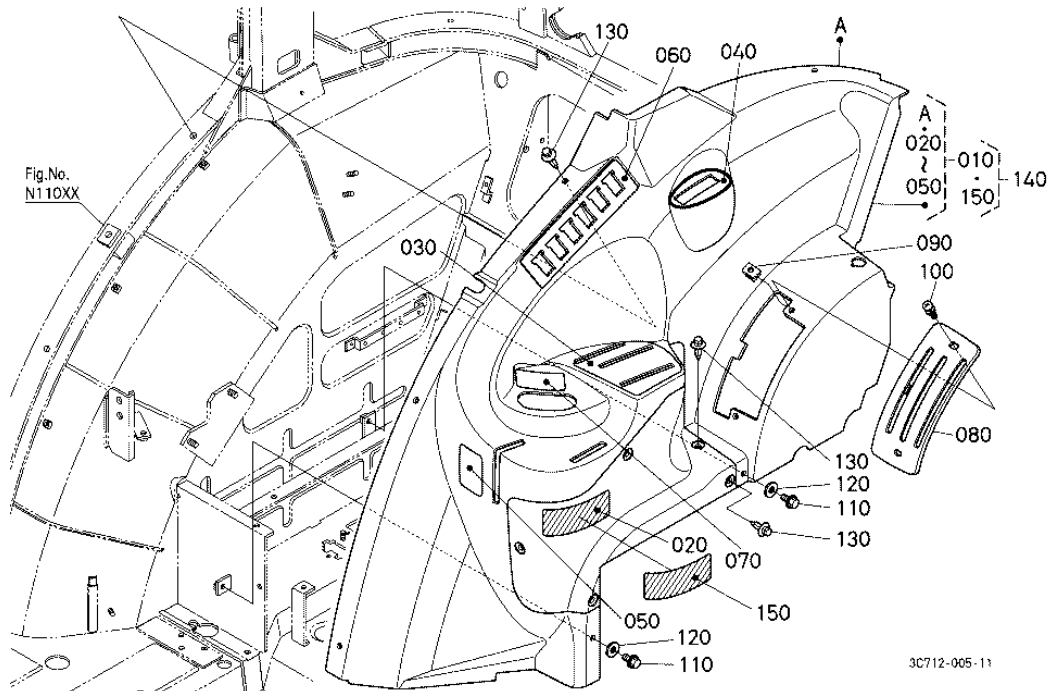
Ref	Part Number	Part Name	Qty	IC	S/N	Lbs	Remarks
010	3C581-54420	COVER	2			0.506	
020	30400-19060	BOLT FLANGE	4			0.013	
030	3C581-54360	COVER STEP	1			12.1	
040	01754-50816	BOLT FLANGE	5			0.024	
050	3C581-75946	COVER FLOOR SHEET	1			10.78	
070	3G710-75980	GASKET	4			0.017	
080	01754-60818	BOLT FLANGE	11			0.033	

INSPECTION PLATE

Ref	Part Number	Part Name	Qty	IC	S/N	Lbs	Remarks
090	3C581-75933	COVER FRONT	1	>>	>=52541	2.904	
090	3C581-75932	COVER FRONT	1		<=52540	2.904	
100	3C581-43250	COVER PANEL UNDER	1			0.506	
110	3C581-43260	COVER PANEL UNDER	1			0.341	
120	3C581-75710	GASKET UNIT	1			0.022	
130	3C581-75720	GASKET UNIT	1			0.013	
140	01754-50816	BOLT FLANGE	2		<=52149	0.024	
140	01754-50816	BOLT FLANGE	1		>=52150	0.024	
145	01754-50812	BOLT FLANGE	1		>=52150	0.022	
150	13824-67590	CLAMP CORD	1		>=51190	0.004	

FENDER COVER RH [A]

Figure Num 01N21002



FENDER COVER RH [A]

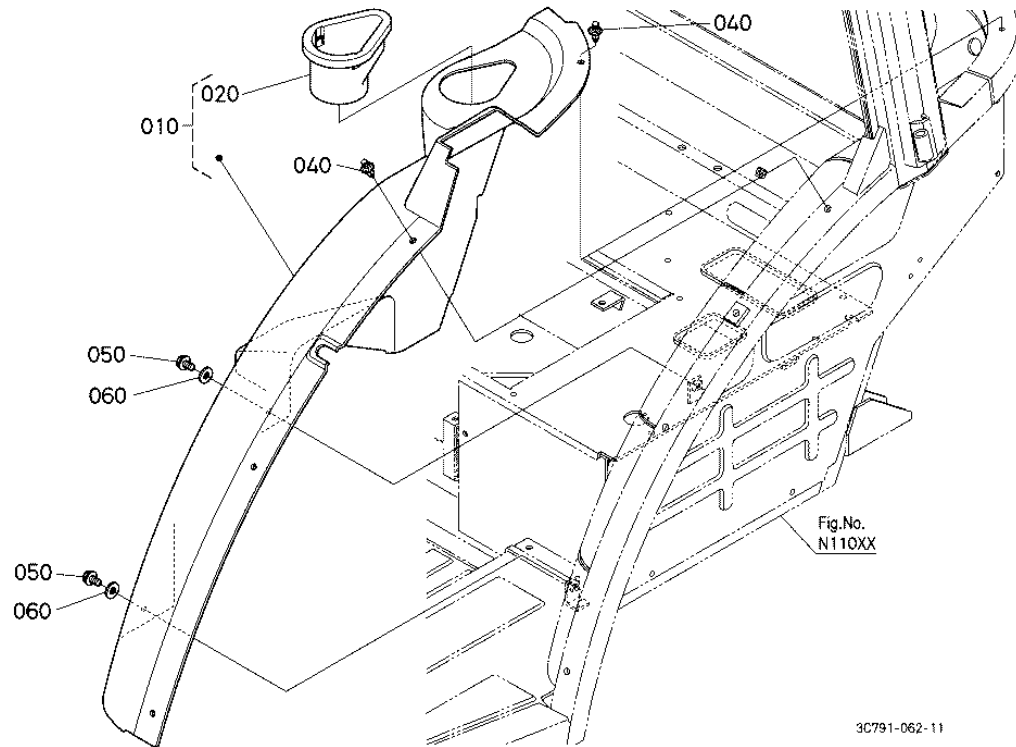
Ref	Part Number	Part Name	Qty	IC	S/N	Lbs	Remarks
010	3C501-99630	KIT COVER RH	1			4.62	ENGLISH
020	6C150-47430	LABEL PARKING WARNI.	1			0.004	ENGLISH
030	3C581-74130	COVER AUX.CONT.VALVE	1			0.083	
040	3C581-74150	COVER PTO	1			0.028	
050	3C581-74190	COVER LOADER	1			0.022	
060	3C581-74120	COVER SWITCH	1			0.066	
070	3C501-74170	COVER PARKING	1			0.015	

FENDER COVER RH [A]

Ref	Part Number	Part Name	Qty	IC	S/N	Lbs	Remarks
080	3C581-87552	GUIDE HYD.LEVER	1			0.33	
090	T0270-99160	NUT SPRING	2			0.013	
100	3F760-50390	SCREW	2			0.015	
110	30810-18870	BOLT FLANGE	2			0.026	
120	36919-54090	WASHER PLAIN	2			0.004	
130	T0270-75350	RIVET PUSH	9		<=53532	0.004	
130	3G910-74240	RIVET	9	>>	>=53533	0.002	
140	3C502-99630	KIT COVER RH	1			0	FRENCH
150	6C151-47430	LABEL PARKING WARNI.	1			0.004	FRENCH

FENDER COVER LH

Figure Num 01N215

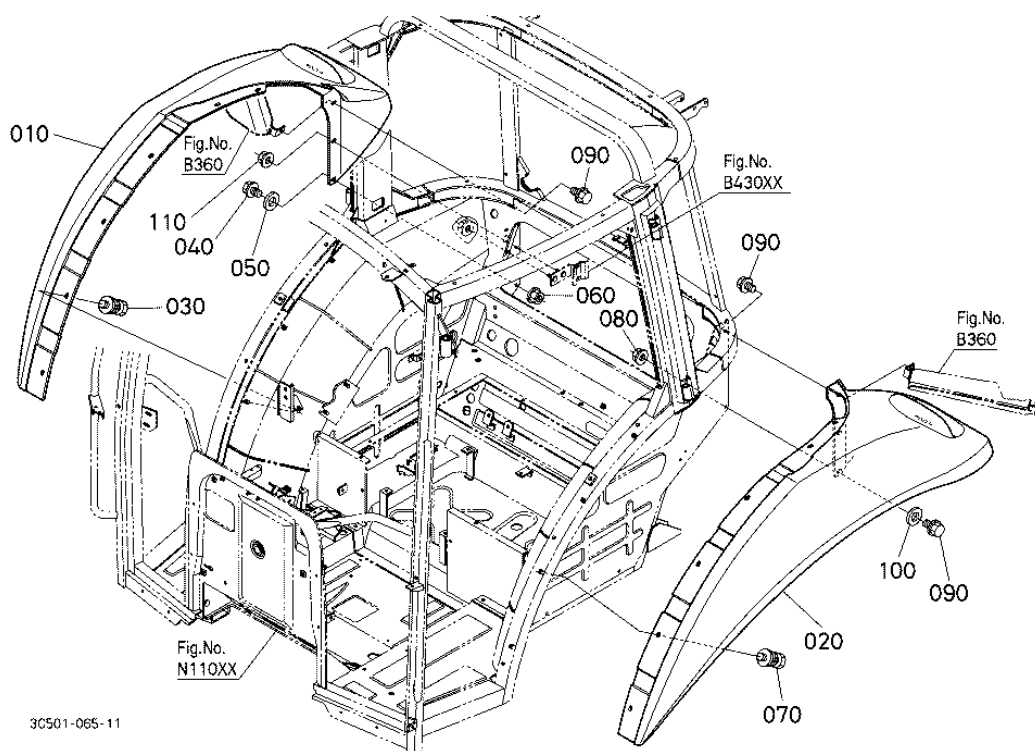


FENDER COVER LH

Ref	Part Number	Part Name	Qty	IC	S/N	Lbs	Remarks
010	3C581-74090	ASSY COVER FENDER LH	1			3.96	
020	3C581-74180	HOLDER CUP	1			0.264	
040	3G910-74240	RIVET	4	>>	>=53533	0.002	
040	T0270-75350	RIVET PUSH	4		<=53532	0.004	
050	30810-18870	BOLT FLANGE	2			0.026	
060	36919-54090	WASHER PLAIN	2			0.004	

FENDER

Figure Num 01N224



FENDER

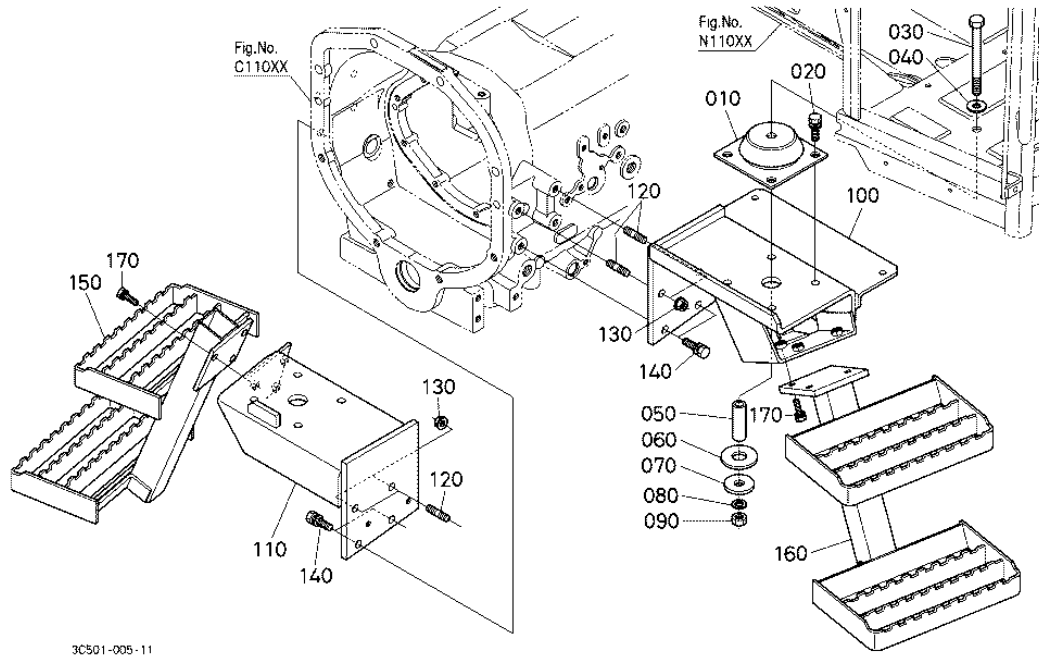
Ref	Part Number	Part Name	Qty	IC	S/N	Lbs	Remarks
010	3C501-76013	FENDER RH OUTER	1			8.8	
020	3C501-76023	FENDER LH OUTER	1			8.8	
030	01027-50620	BOLT	6			0.011	
040	31351-18790	BOLT FLANGE	1			0.011	
050	31351-18860	WASHER	1			0.004	
060	02761-60060	NUT FLANGE	1			0.006	
070	01027-50620	BOLT	6			0.011	

FENDER

Ref	Part Number	Part Name	Qty	IC	S/N	Lbs	Remarks
080	02761-50060	NUT FLANGE	2			0.006	
090	31351-18790	BOLT FLANGE	4			0.011	
100	31351-18860	WASHER	2			0.004	
110	02763-50080	NUT FLANGE	1			0.013	

CAB BRACKET FRONT

Figure Num 01N240



3C501-005-11

CAB BRACKET FRONT

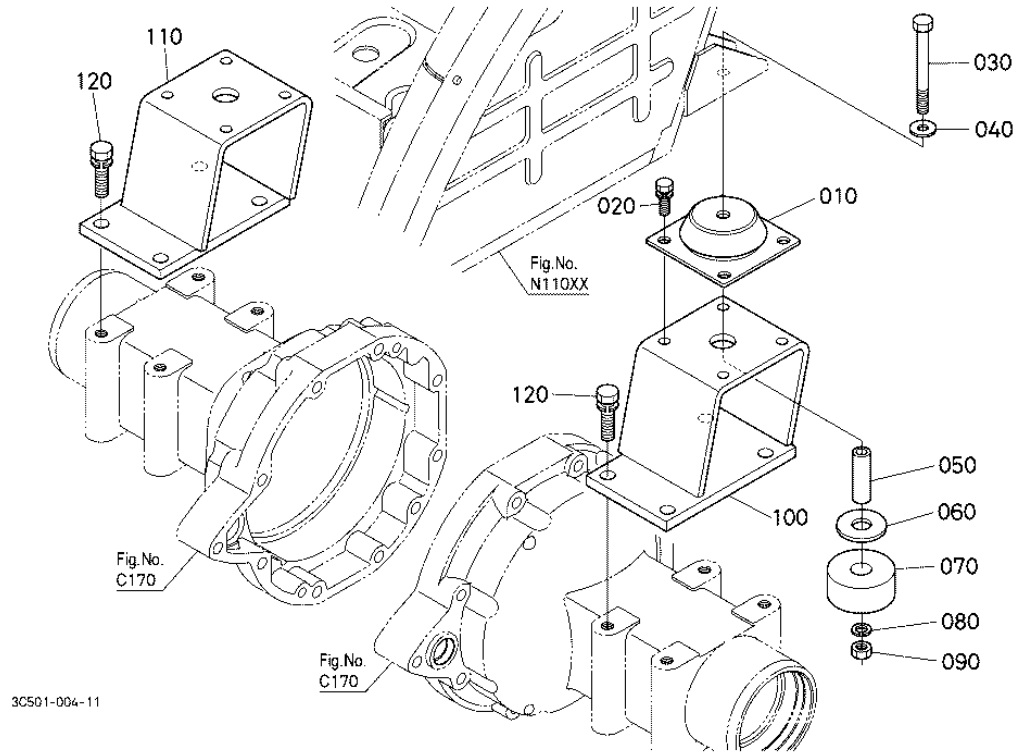
Ref	Part Number	Part Name	Qty	IC	S/N	Lbs	Remarks
010	3C581-71730	RUBBER CAB	2			1.76	
020	01133-51230	BOLT	8			0.088	
030	3C581-71780	BOLT	2			0.352	
040	04013-60140	WASHER PLAIN	2			0.022	
050	3C581-71960	COLLAR	2			0.171	
060	36919-87840	COLLAR	2			0.033	
070	3A751-71740	WASHER	2			0.319	

CAB BRACKET FRONT

Ref	Part Number	Part Name	Qty	IC	S/N	Lbs	Remarks
080	04512-60140	WASHER SPRING	2			0.017	
090	02076-50140	NUT	2			0.048	
100	3C501-71710	BRACKET FRONT LH	1			25.74	
110	3C501-71720	BRACKET FRONT RH	1			21.12	
120	01574-51225	STUD	4			0.074	
130	02783-50120	NUT FLANGE	4			0.035	
140	01133-51235	BOLT	4			0.094	
150	3C501-87313	STEP RH SUB	1			16.72	
160	3C501-87324	STEP LH SUB	1			17.16	
170	01133-51030	BOLT	6			0.055	

CAB BRACKET REAR

Figure Num 01N245



CAB BRACKET REAR

Ref	Part Number	Part Name	Qty	IC	S/N	Lbs	Remarks
010	3C581-71730	RUBBER CAB	2			1.76	
020	01133-51230	BOLT	8			0.088	
030	3C581-71770	BOLT	2			0.396	
040	04013-60140	WASHER PLAIN	2			0.022	
050	3C581-71960	COLLAR	2			0.171	
060	36919-87840	COLLAR	2			0.033	
070	3C581-71790	COLLAR	2	=		0	

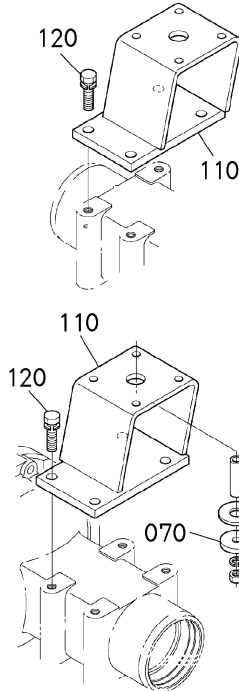
CAB BRACKET REAR

Ref	Part Number	Part Name	Qty	IC	S/N	Lbs	Remarks
070	T2055-71090	WASHER	2			2.992	
080	04512-60140	WASHER SPRING	2			0.017	
090	02076-50140	NUT	2			0.048	
100	3C501-71750	BRACKET REAR LH	1			16.28	
110	3C501-71760	BRACKET REAR RH	1			16.28	
120	01138-51645	BOLT	8	>>	>=54755	0.22	
120	01138-51650	BOLT	8		<=54754	0.121	

CAB BRACKET REAR

Figure Num 01N245

OLD PARTS



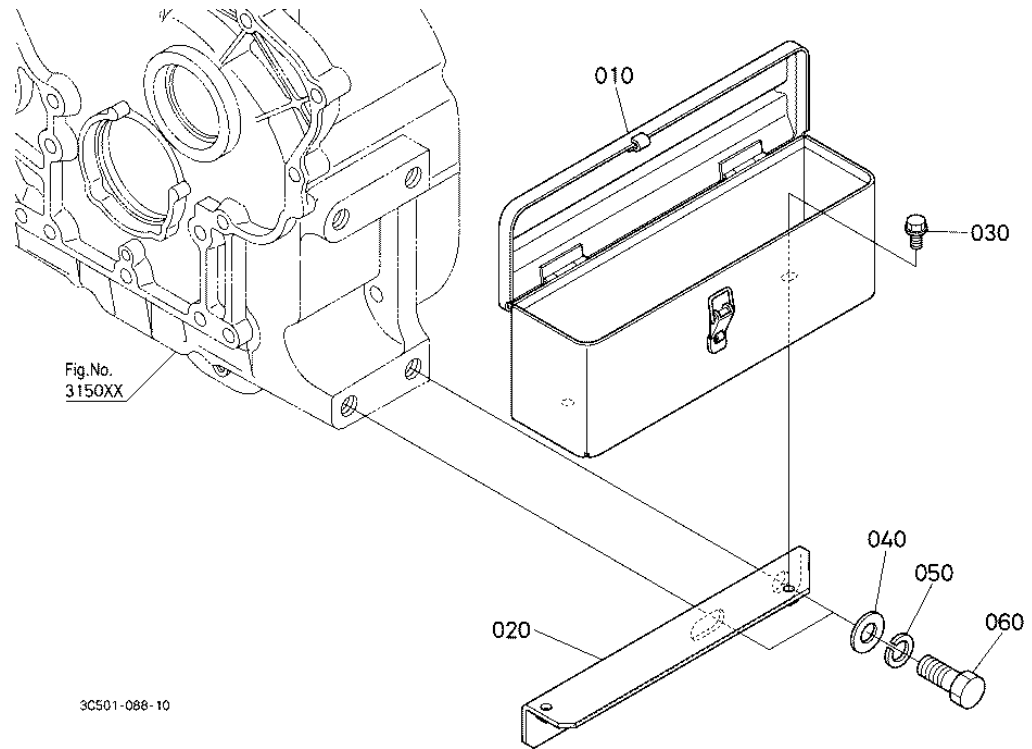
3C501-851-10

CAB BRACKET REAR

Ref	Part Number	Part Name	Qty	IC	S/N	Lbs	Remarks
070	3C581-71790	COLLAR	2	=		0	
070	T2055-71090	WASHER	2			2.992	
110	3C501-71760	BRACKET REAR RH	1			16.28	
120	01138-51645	BOLT	8	>>	>=54755	0.22	
120	01138-51650	BOLT	8		<=54754	0.121	

TOOL BOX

Figure Num 01N250

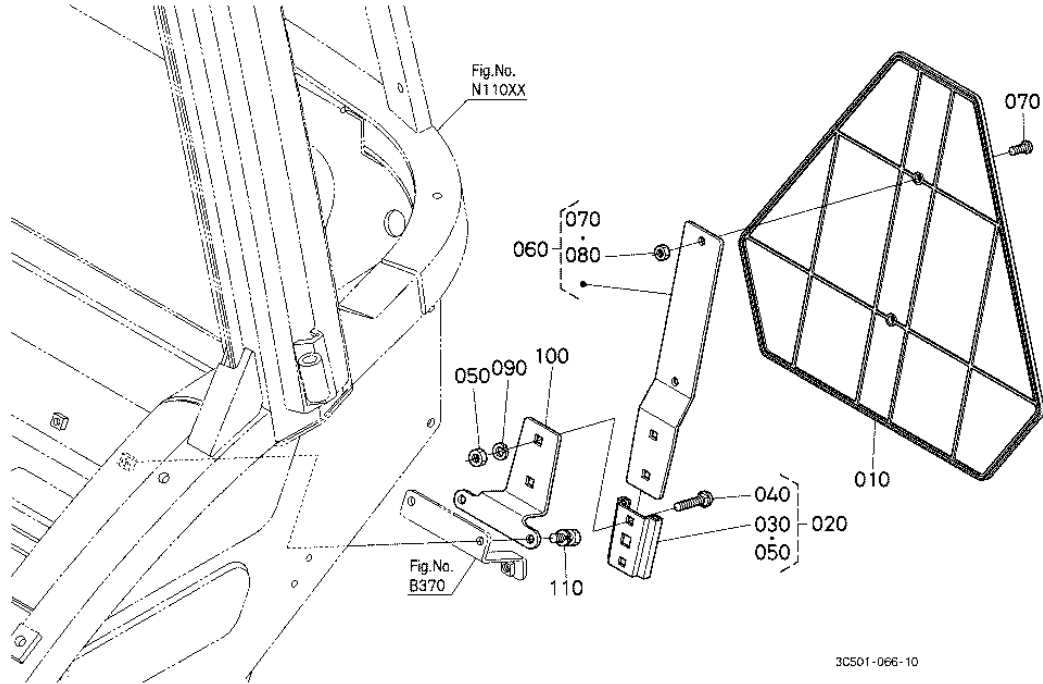


TOOL BOX

Ref	Part Number	Part Name	Qty	IC	S/N	Lbs	Remarks
010	3A751-90232	CASE TOOLS	1			5.94	
020	3C581-90210	STAY TOOL BOX	1			2.42	
030	01754-50816	BOLT FLANGE	2			0.024	
040	04013-50200	WASHER PLAIN	2			0.044	
050	04512-60200	WASHER SPRING	2			0.044	
060	01173-52045	BOLT	2			0.356	

SMV EMBLEM

Figure Num 01N280



SMV EMBLEM

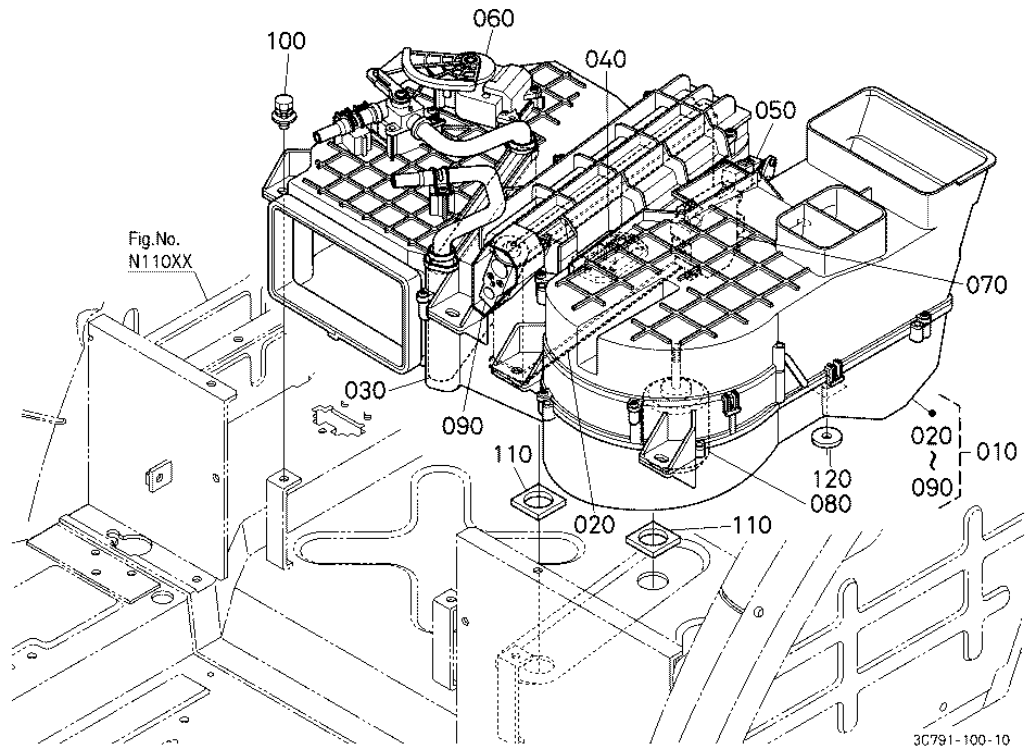
Ref	Part Number	Part Name	Qty	IC	S/N	Lbs	Remarks
010	7L500-89912	SIGN SMV	1			0.704	
020	7L500-89920	SOCKET SMV SIGN	1			0.22	
030	7L500-89930	SOCKET-MTG SMV	1			0.11	
040	7L500-89940	BOLT SQUARE NECK	2			0.022	
050	7L500-89950	NUT	2			0.008	
060	7L500-89960	SPADE SMV SIGN	1			0.528	
070	7L500-89980	SCREW PAN HEAD	2			0.044	

SMV EMBLEM

Ref	Part Number	Part Name	Qty	IC	S/N	Lbs	Remarks
080	7L500-89990	NUT	2			0.002	
090	04512-60080	WASHER SPRING	2			0.004	
100	3C581-87940	STAY SMV	1			0.418	
110	01123-50820	BOLT	2			0.024	

AIR CONDITIONER

Figure Num 01P115



AIR CONDITIONER

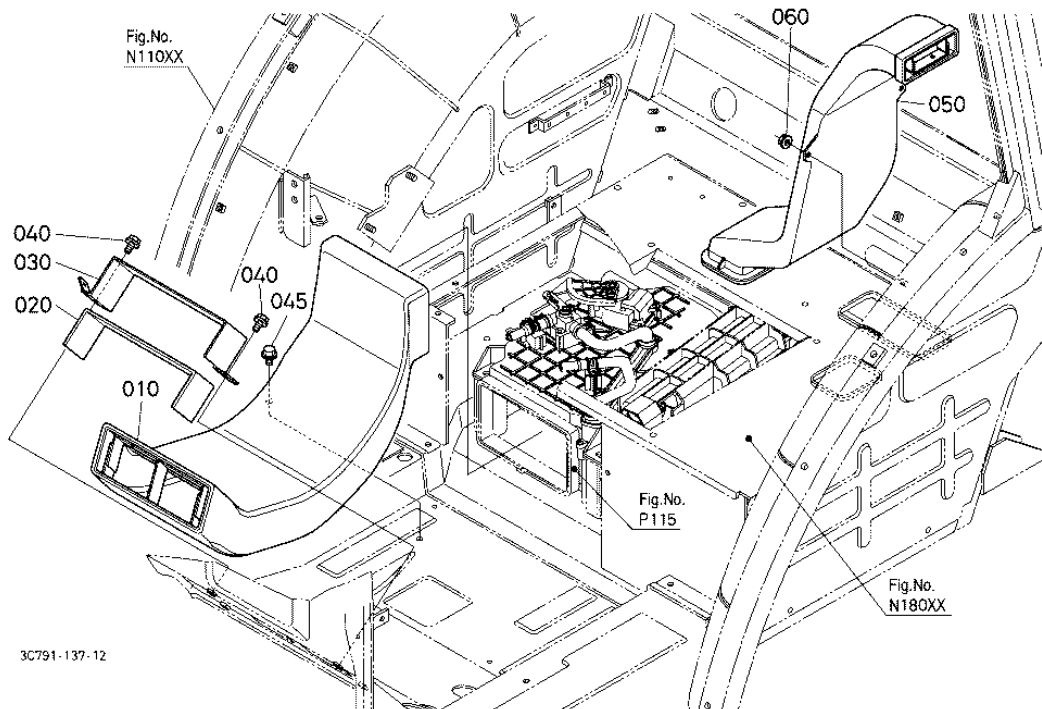
Ref	Part Number	Part Name	Qty	IC	S/N	Lbs	Remarks
010	3C581-50030	UNIT AIR-CON.	1			21.12	
020	3C581-72100	ASSY EVAPORATOR	1			3.74	
030	3C581-72130	ASSY CORE HEATER	1			3.3	
040	3A851-72180	REGISTER BLOWER	1			0.22	
050	3C581-72160	THERMOSTAT	1			0.077	
060	3A851-72190	MOTER SERVO THERMO.	1			0.352	
070	3C581-72210	MOTOR SERVO CHANGE	1			0.308	

AIR CONDITIONER

Ref	Part Number	Part Name	Qty	IC	S/N	Lbs	Remarks
080	3C581-72150	ASSY MOTOR	1			3.762	
090	3A851-72170	VALVE EXPANSION	1			0.33	
100	01125-50825	BOLT	7			0.039	
110	3C581-75730	GASKET UNIT	2			0.002	
120	3C581-75740	GASKET UNIT	1			0.002	

AIR CONDITIONER DUCT

Figure Num 01P140



AIR CONDITIONER DUCT

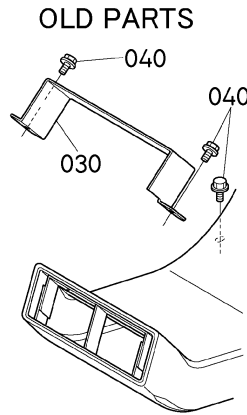
Ref	Part Number	Part Name	Qty	IC	S/N	Lbs	Remarks
010	3C581-87822	DUCT FRONT	1			2.42	
020	3C581-87882	GASKET	1			0.017	
030	3C581-87874	BAND DUCT	1	>>	>=52729	0.748	
030	3C581-87873	BAND DUCT	1	=	<=52728	0.748	
030	3C501-87870	BAND DUCT	1			0	
040	01754-50816	BOLT FLANGE	2		>=52150	0.024	
040	01754-50816	BOLT FLANGE	3		<=52149	0.024	

AIR CONDITIONER DUCT

Ref	Part Number	Part Name	Qty	IC	S/N	Lbs	Remarks
045	01754-50812	BOLT FLANGE	1		>=52150	0.022	
050	3C581-87852	DUCT	1			1.144	
060	02751-50060	NUT FLANGE	2			0.011	

AIR CONDITIONER DUCT

Figure Num 01P140



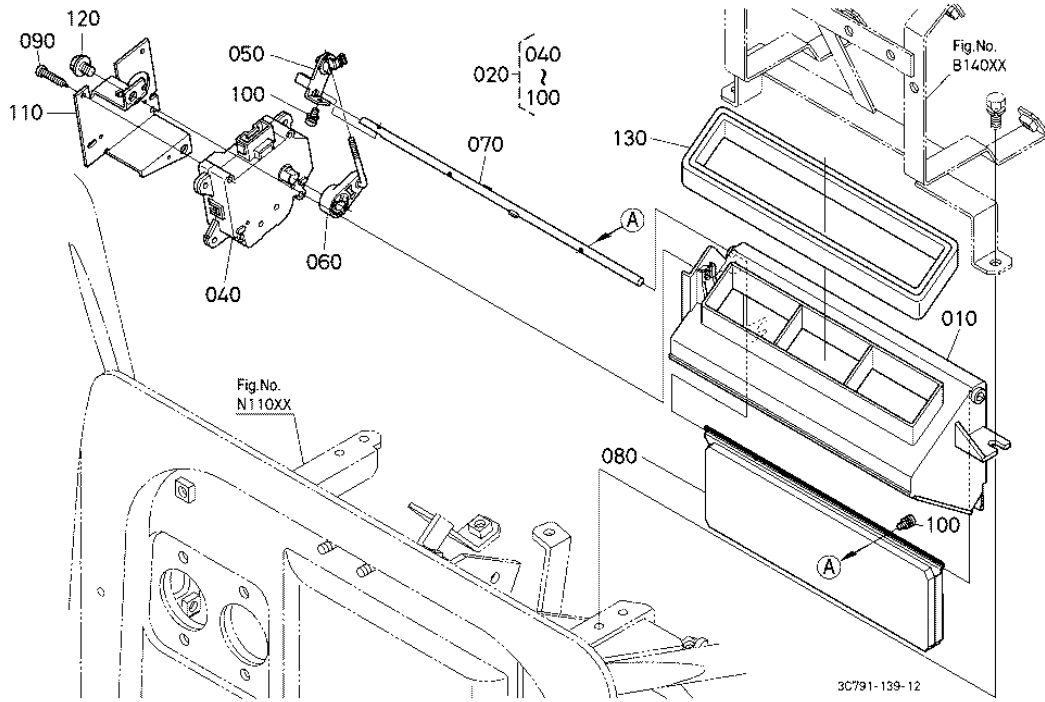
3C712-802-10

AIR CONDITIONER DUCT

Ref	Part Number	Part Name	Qty	IC	S/N	Lbs	Remarks
030	3C581-87874	BAND DUCT	1	>>	>=52729	0.748	
030	3C581-87873	BAND DUCT	1	=	<=52728	0.748	
030	3C501-87870	BAND DUCT	1			0	
040	01754-50816	BOLT FLANGE	2		>=52150	0.024	
040	01754-50816	BOLT FLANGE	3		<=52149	0.024	

MODE CASE

Figure Num 01P141



MODE CASE

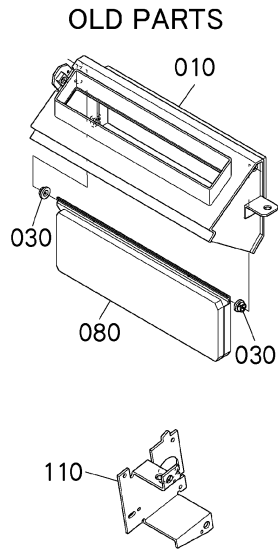
Ref	Part Number	Part Name	Qty	IC	S/N	Lbs	Remarks
010	3C581-57223	CASE MODE	1	NI	>=53203	1.056	
010	3C581-57222	CASE MODE	1		<=53202	1.056	
020	3C581-57200	ASSY LINK MODE	1		<=53202	0.88	
020	3C581-57202	ASSY LINK MODE	1	NI	>=53203	0.88	
040	T1275-72200	MOTOR SERVO CHANGE	1			0.33	
050	3C581-57240	ASSY LEVER MODE	1			0.022	
060	3C581-57250	ASSY LEVER MODE	1			0.022	

MODE CASE

Ref	Part Number	Part Name	Qty	IC	S/N	Lbs	Remarks
070	3C581-57260	SHAFT MODE	1			0.132	
080	3C582-57270	DOOR MODE	1	NI	>=53203	0.209	
080	3C581-57270	DOOR MODE	1		<=53202	0.209	
090	3C581-57280	SCREW	3			0.002	
100	03024-50308	SCREW WITH WASHER	3			0.002	
110	3C581-57213	BRACKET SERVO MODE	1		<=53202	0.209	
110	3C581-57214	BRACKET SERVO MODE	1	NI	>=53203	0.209	
120	01754-50608	BOLT FLANGE	2			0.011	
130	3C581-57290	GASKET	1			0.013	

MODE CASE

Figure Num 01P141



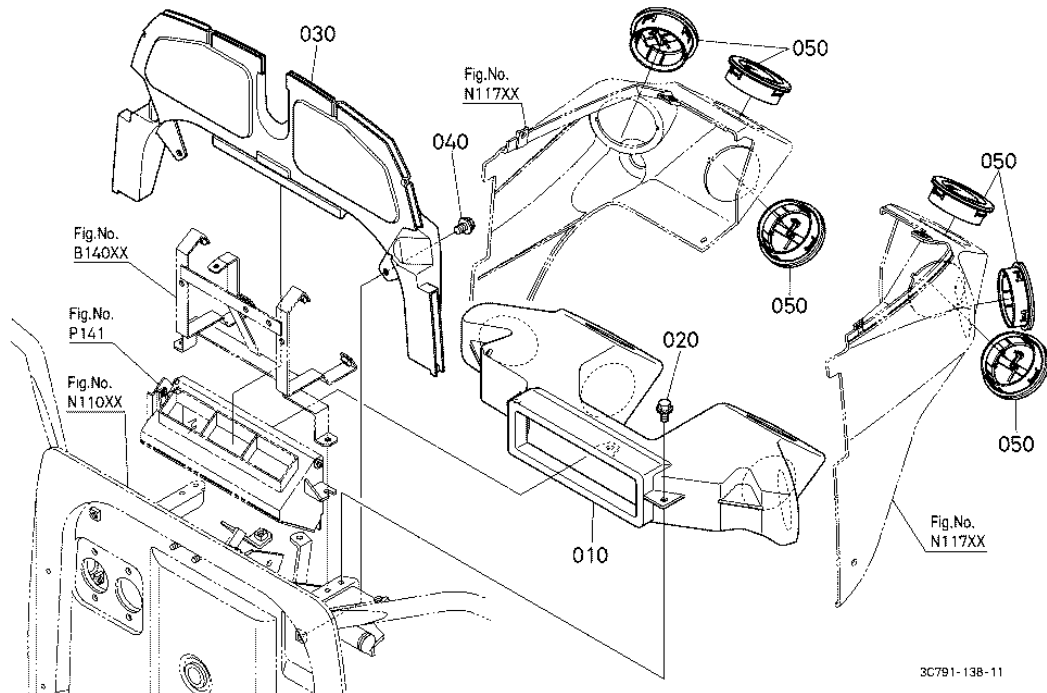
3C791-834-11

MODE CASE

Ref	Part Number	Part Name	Qty	IC	S/N	Lbs	Remarks
010	3C581-57223	CASE MODE	1	NI	>=53203	1.056	
010	3C581-57222	CASE MODE	1		<=53202	1.056	
030	3C581-57230	BUSH MODE	2		<=53202	0.002	
080	3C582-57270	DOOR MODE	1	NI	>=53203	0.209	
080	3C581-57270	DOOR MODE	1		<=53202	0.209	
110	3C581-57214	BRACKET SERVO MODE	1	NI	>=53203	0.209	
110	3C581-57213	BRACKET SERVO MODE	1		<=53202	0.209	

DASHBOARD AIR OUTLETS

Figure Num 01P143



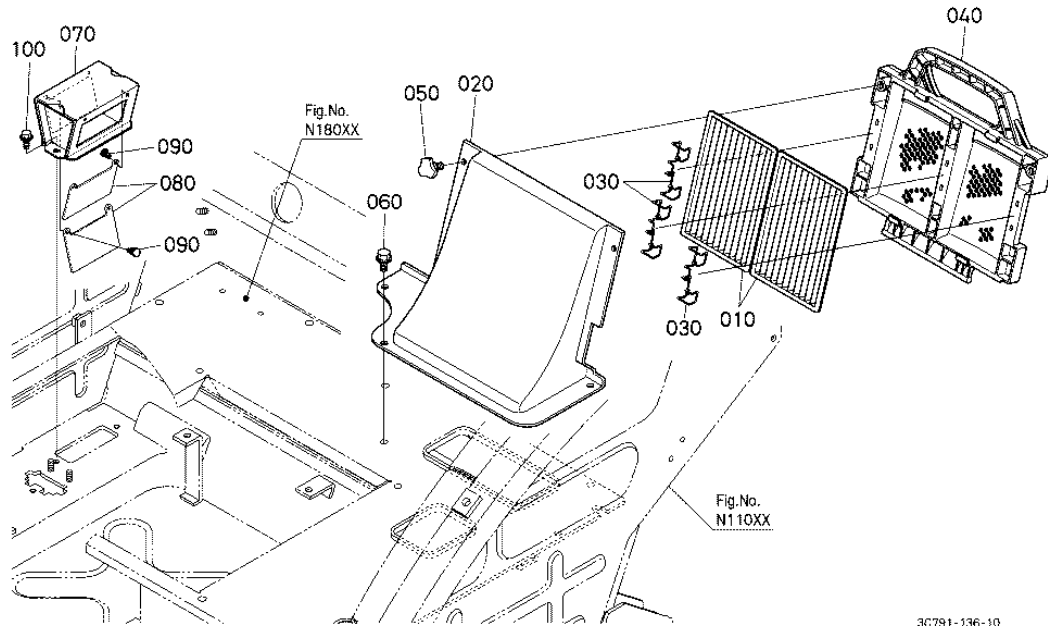
3C791-138-11

DASHBOARD AIR OUTLETS

Ref	Part Number	Part Name	Qty	IC	S/N	Lbs	Remarks
010	3C581-87843	DUCT FRONT	1			1.32	
020	01754-50616	BOLT FLANGE	3			0.013	
030	3C581-87810	DUCT	1			0.88	
040	01754-50816	BOLT FLANGE	2			0.024	
050	3C581-50292	GRILLE	6	>>	>=54047	0.11	
050	3C581-50290	GRILLE	6		<=54046	0	

INNER AIR RECIRCULATION

Figure Num 01P147



3C791-136-10

INNER AIR RECIRCULATION

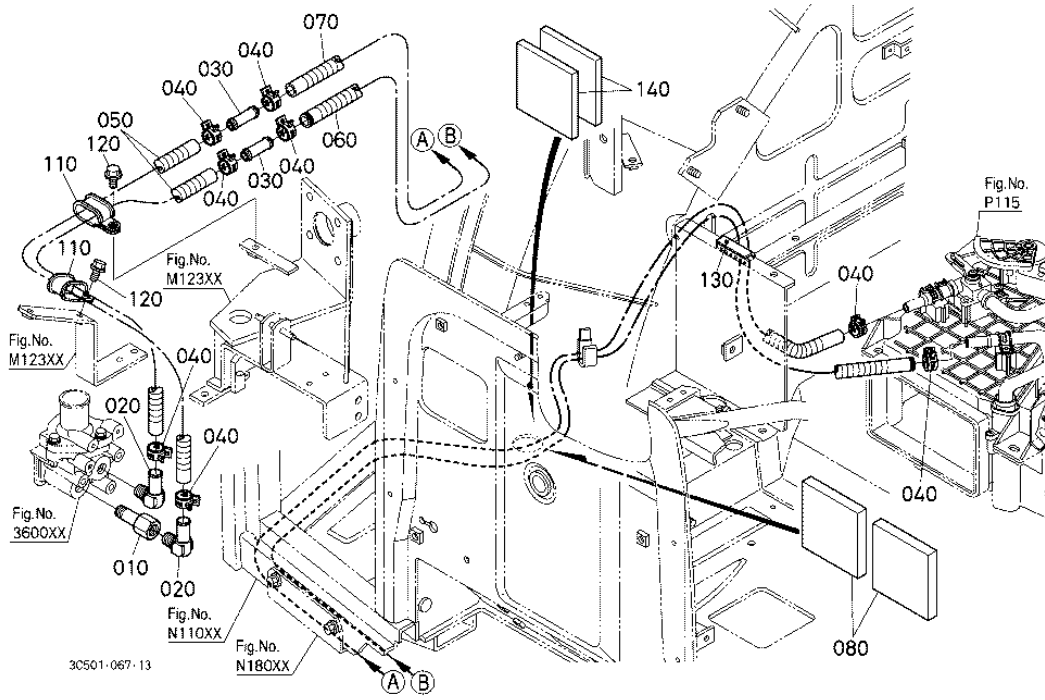
Ref	Part Number	Part Name	Qty	IC	S/N	Lbs	Remarks
010	6A671-75090	FILTER	2			0.176	
020	3C581-87803	DUCT	1			0.847	
030	3C581-87780	CLIP FILTER	3			0.004	
040	3C581-87892	COVER FILTER	1			0.473	
050	64441-43520	SCREW KNOB	2			0.022	
060	01754-60816	BOLT FLANGE	2			0.022	
070	3C581-50112	CASE	1			0.594	

INNER AIR RECIRCULATION

Ref	Part Number	Part Name	Qty	IC	S/N	Lbs	Remarks
080	3C581-50120	GASKET	2			0.006	
090	3G710-50130	CLIP	4			0.002	
100	01754-50610	BOLT FLANGE	2			0.013	

HEATER HOSE [OLD TYPE] ## S.No.;<=54787

Figure Num 01P150



HEATER HOSE [OLD TYPE]

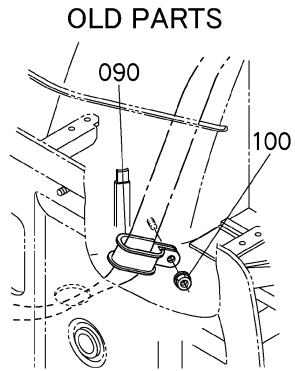
Ref	Part Number	Part Name	Qty	IC	S/N	Lbs	Remarks
010	3C501-72350	JOINT WATER	1			0.22	
020	3G700-72532	JOINT	2			0.002	
030	34070-72850	PIPE JOINT	2	>>	>=52791	0.055	
030	54800-38250	JOINT HEATER HOSE	2		<=52790	0.019	
040	T2255-38260	CLAMP HOSE	8	>>	>=52791	0.008	
040	54800-38260	CLAMP HOSE	8		<=52790	0.013	
050	3C591-72590	HOSE UNIT	2			0	

HEATER HOSE [OLD TYPE]

Ref	Part Number	Part Name	Qty	IC	S/N	Lbs	Remarks
060	3C511-72560	HOSE UNIT	1	>>	>=54240	1.716	
070	3C511-72570	HOSE UNIT	1	>>	>=54240	1.65	
080	3C581-74902	SPONGE HOSE	2			0.015	
110	RC411-47550	CLAMP HOSE	2	NI	>=54240	0.061	
110	T0270-50230	CLAMP HOSE	2		<=54239	0.046	
120	01754-50816	BOLT FLANGE	2			0.024	
130	67950-54930	RUBBER	1			0.013	
140	3C581-74980	SPONGE HOSE	2		>=51001	0.006	

HEATER HOSE [OLD TYPE] ## S.No.;<=54787

Figure Num 01P150



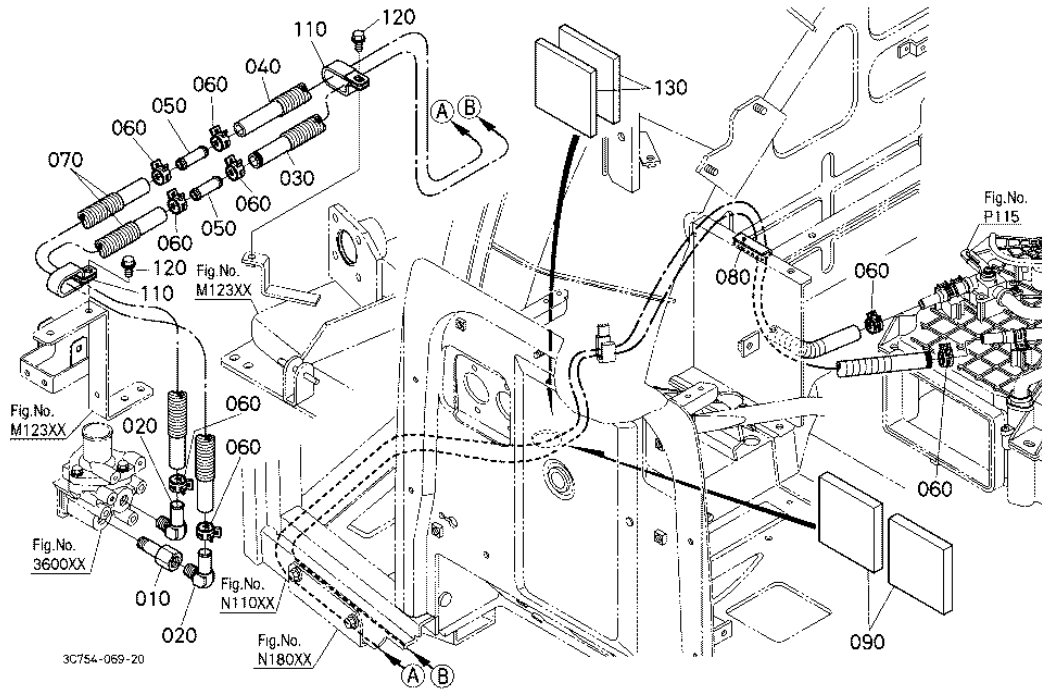
3C501-833-10

HEATER HOSE [OLD TYPE]

Ref	Part Number	Part Name	Qty	IC	S/N	Lbs	Remarks
090	T0270-50230	CLAMP HOSE	1		<=51720	0.046	
100	02751-50080	NUT FLANGE	1		<=51720	0.013	

HEATER HOSE [NEW TYPE] ## S.No.;>=80001

Figure Num 01P15001



HEATER HOSE [NEW TYPE]

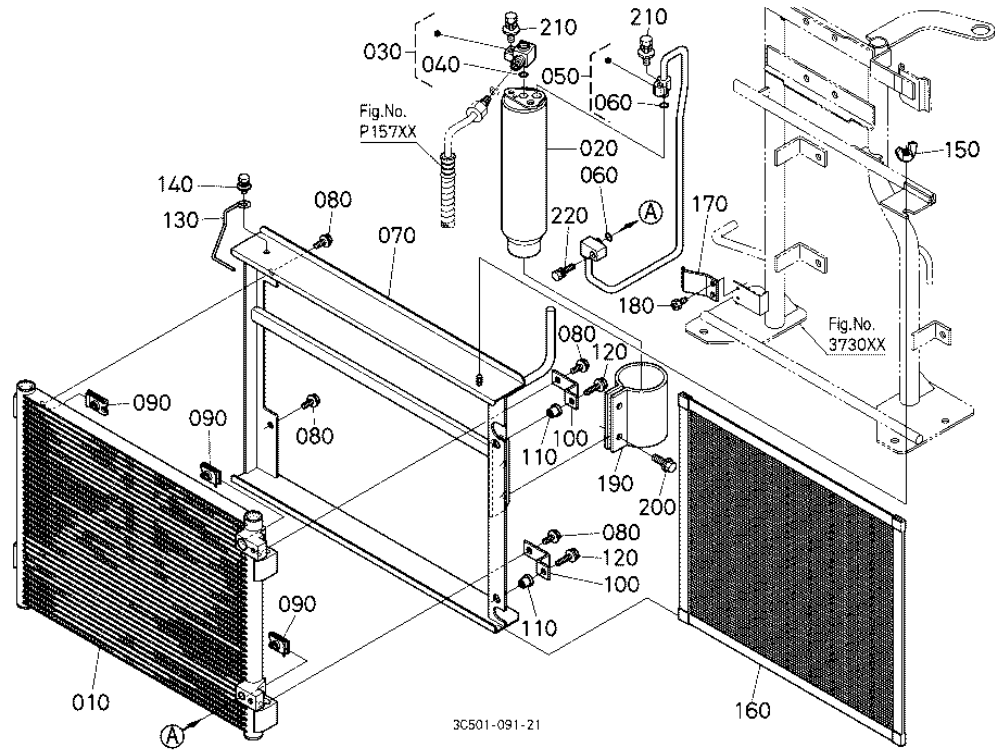
Ref	Part Number	Part Name	Qty	IC	S/N	Lbs	Remarks
010	3C501-72350	JOINT WATER	1			0.22	
020	3G700-72532	JOINT	2			0.002	
030	3C511-72560	HOSE UNIT	1			1.716	
040	3C511-72570	HOSE UNIT	1			1.65	
050	34070-72850	PIPE JOINT	2			0.055	
060	T2255-38260	CLAMP HOSE	8			0.008	
070	3C591-72590	HOSE UNIT	2			0	

HEATER HOSE [NEW TYPE]

Ref	Part Number	Part Name	Qty	IC	S/N	Lbs	Remarks
080	67950-54930	RUBBER	1			0.013	
090	3C581-74902	SPONGE HOSE	2			0.015	
110	RC411-47550	CLAMP HOSE	2			0.061	
120	01754-50816	BOLT FLANGE	2			0.024	
130	3C581-74980	SPONGE HOSE	2			0.006	

CONDENSER

Figure Num 01P155



CONDENSER

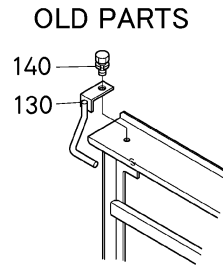
Ref	Part Number	Part Name	Qty	IC	S/N	Lbs	Remarks
010	3C581-50040	CONDENSER	1			5.5	
020	T0070-79270	TANK RECEIVER	1			1.54	
030	T0270-87170	JOINT RECIVER	1			0.121	
040	33760-56960	O RING	1			0.002	
050	3C581-50100	TUBE RIQUID	1			0.154	
060	33760-56960	O RING	2			0.002	
070	3C581-79300	FRAME CONDENSER	1			5.17	

CONDENSER

Ref	Part Number	Part Name	Qty	IC	S/N	Lbs	Remarks
080	01754-50614	BOLT FLANGE	4			0.011	
090	T1065-72290	NUT CONDENSER	4			0.015	
100	3N300-79340	STAY CONDENSER	2			0.041	
110	34070-71390	NUT CUSHION	2			0.011	
120	01754-50625	BOLT FLANGE	2			0.017	
130	3C581-79352	HOOK HOSE CONDENSER	1	NI	>=80001	0.055	
130	3C581-79350	HOOK HOSE CONDENSER	1		<=54787	0.055	
140	01023-50612	BOLT	1		<=54787	0.011	
140	01025-50616	BOLT	1	>>	>=80001	0.011	
150	02810-50060	NUT WING	1			0.019	
160	3C581-79310	NET CONDENSER	1			0.363	
170	3N300-79330	SPRING PLATE	1			0.030	
180	3F740-80670	BOLT	2			0.008	
190	T0180-79380	HOLDER RECEIVER	1			0.506	
200	01754-50820	BOLT FLANGE	2			0.033	
210	01025-50625	BOLT	2			0.022	
220	01023-50630	BOLT	1			0.017	

CONDENSER

Figure Num 01P155



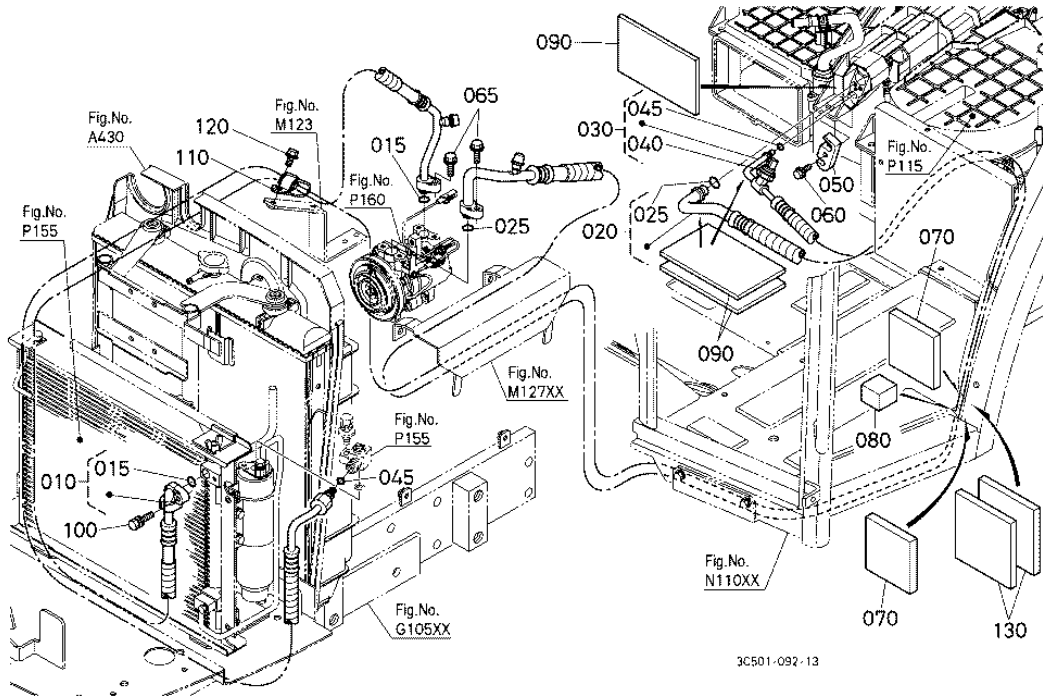
3C501-853-10

CONDENSER

Ref	Part Number	Part Name	Qty	IC	S/N	Lbs	Remarks
130	3C581-79352	HOOK HOSE CONDENSER	1	NI	>=80001	0.055	
130	3C581-79350	HOOK HOSE CONDENSER	1		<=54787	0.055	
140	01025-50616	BOLT	1	>>	>=80001	0.011	
140	01023-50612	BOLT	1		<=54787	0.011	

AIR CONDITIONER HOSE / CONDENSER HOSE

Figure Num 01P15701



AIR CONDITIONER HOSE / CONDENSER HOSE

Ref	Part Number	Part Name	Qty	IC	S/N	Lbs	Remarks
010	3C501-72233	HOSE DISCHARGE	1			1.32	
015	33760-56970	O RING	2			0.002	
020	3C501-87110	HOSE SUCTION	1		<=50821	0	
020	3C501-87113	HOSE SUCTION	1	>>	>=50822	1.518	
025	33760-56980	O RING	2			0.002	
030	3C501-87120	HOSE LIQUID	1		<=50821	0	
030	3C501-87123	HOSE LIQUID	1	>>	>=50822	1.738	

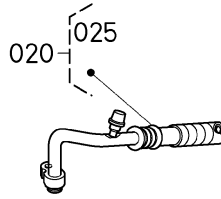
AIR CONDITIONER HOSE / CONDENSER HOSE

Ref	Part Number	Part Name	Qty	IC	S/N	Lbs	Remarks
040	3A761-96290	ASSY SWITCH PRESSURE	1			0.044	
045	33760-56960	O RING	2			0.002	
050	T1275-72350	JOINT	1			0.070	
060	01754-50620	BOLT FLANGE	1			0.015	
065	01023-50635	BOLT	2			0.022	
070	3C581-74902	SPONGE HOSE	2			0.015	
080	3C581-74910	SPONGE HOSE	1			0.011	
090	36530-50260	INSULATOR	3			0.022	
100	01023-50620	BOLT	1			0.013	
110	33760-50220	CLAMP HOSE	1			0.048	
120	01754-50816	BOLT FLANGE	1			0.024	
130	3C581-74980	SPONGE HOSE	2		>=51001	0.006	

AIR CONDITIONER HOSE / CONDENSER HOSE

Figure Num 01P15701

OLD PARTS



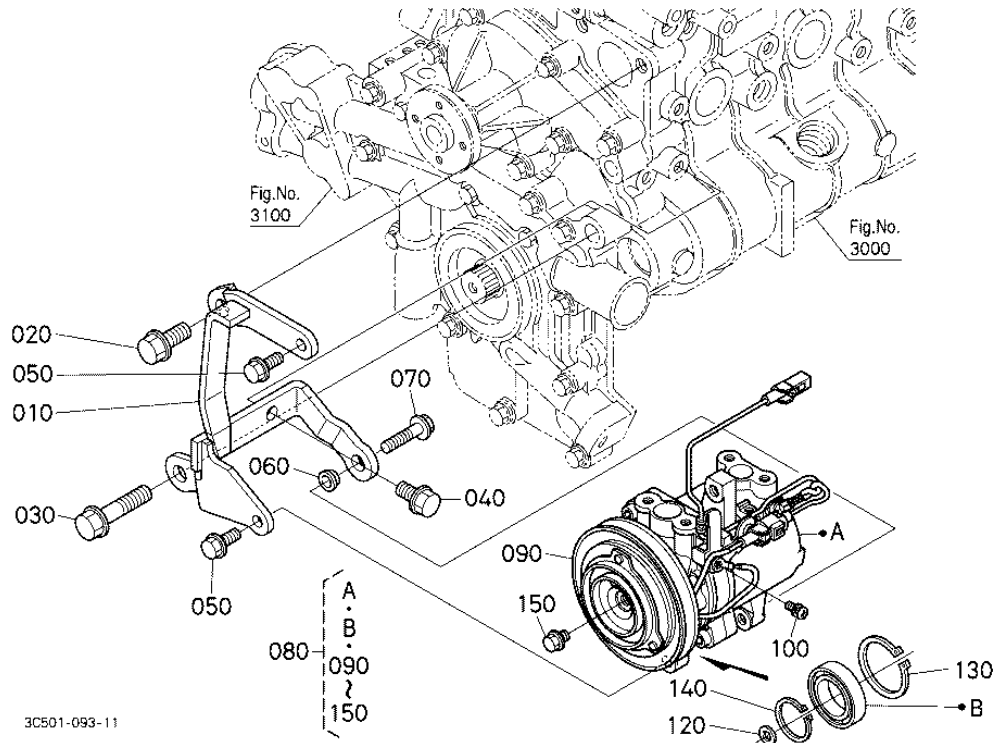
3C501-805-10

AIR CONDITIONER HOSE / CONDENSER HOSE

Ref	Part Number	Part Name	Qty	IC	S/N	Lbs	Remarks
020	3C501-87113	HOSE SUCTION	1	>>	>=50822	1.518	
020	3C501-87110	HOSE SUCTION	1		<=50821	0	

COMPRESSOR

Figure Num 01P160



COMPRESSOR

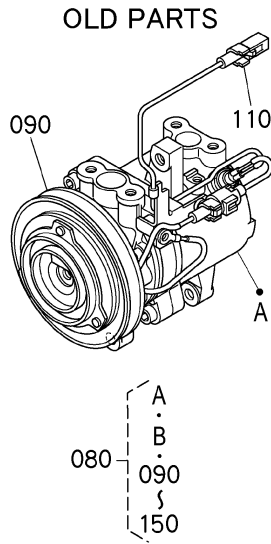
Ref	Part Number	Part Name	Qty	IC	S/N	Lbs	Remarks
010	3C501-72322	COMP.BRACKET	1	>>	>=50513	1.276	
010	3C501-72320	COMP.BRACKET	1		<=50512	0	
020	01774-51225	BOLT FLANGE	1			0.088	
030	01774-51250	BOLT FLANGE	1			0.123	
040	01774-51018	BOLT FLANGE	1			0.044	
050	01754-50825	BOLT FLANGE	2			0.022	
060	T0270-72320	BUSH COMPRESSOR	1			0.033	

COMPRESSOR

Ref	Part Number	Part Name	Qty	IC	S/N	Lbs	Remarks
070	01754-50835	BOLT FLANGE	1			0.041	
080	3C581-97590	ASSY COMPRESSOR	1	>>	>=52300	7.7	
080	3C581-50060	ASSY COMPRESSOR	1		<=52299	7.7	ORDER BY REF.No.08
090	3C581-96110	ASSY CLUTH MAGNETIC	1	>>	>=52300	2.497	
090	6A671-97310	ASSY CLUTH MAGNETIC	1		<=52299	3.278	
100	T1065-87320	SCREW WITH WASHER	1			0.006	
120	T1065-87340	SHIM	1			0.002	0.10mm
120	T1065-87350	SHIM	1			0.002	0.15mm
120	T1065-87360	SHIM	1			0.002	0.40mm
120	T1065-87370	SHIM	1			0.002	0.60mm
120	T1065-87380	SHIM	1			0.002	1.00mm
130	T1065-87440	CIR CLIP EXTERNAL	1			0.011	
140	T1065-87450	CIR CLIP EXTERNAL	1			0.006	
150	T1065-87460	BOLT CLUTCH	1			0.015	

COMPRESSOR

Figure Num 01P160



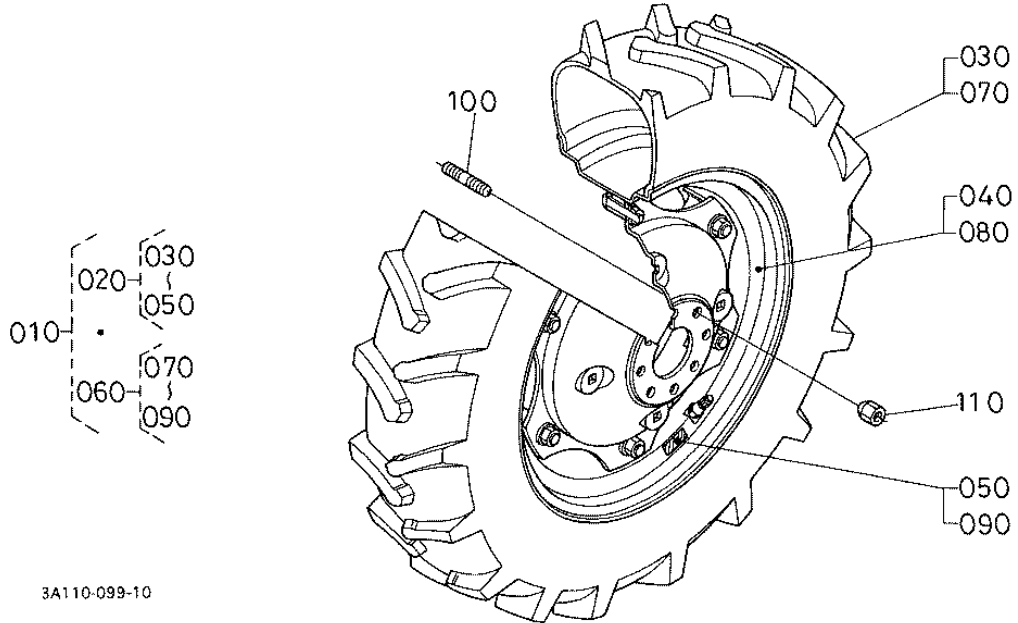
3C501-835-10

COMPRESSOR

Ref	Part Number	Part Name	Qty	IC	S/N	Lbs	Remarks
080	3C581-97590	ASSY COMPRESSOR	1	>>	>=52300	7.7	
080	3C581-50060	ASSY COMPRESSOR	1		<=52299	7.7	ORDER BY REF.No.08
090	3C581-96110	ASSY CLUTH MAGNETIC	1	>>	>=52300	2.497	
090	6A671-97310	ASSY CLUTH MAGNETIC	1		<=52299	3.278	
110	T1065-87330	ASSY WIRE	1		<=52299	0.044	

FRONT WHEEL (9.5-24)

Figure Num 01R11004



FRONT WHEEL (9.5-24)

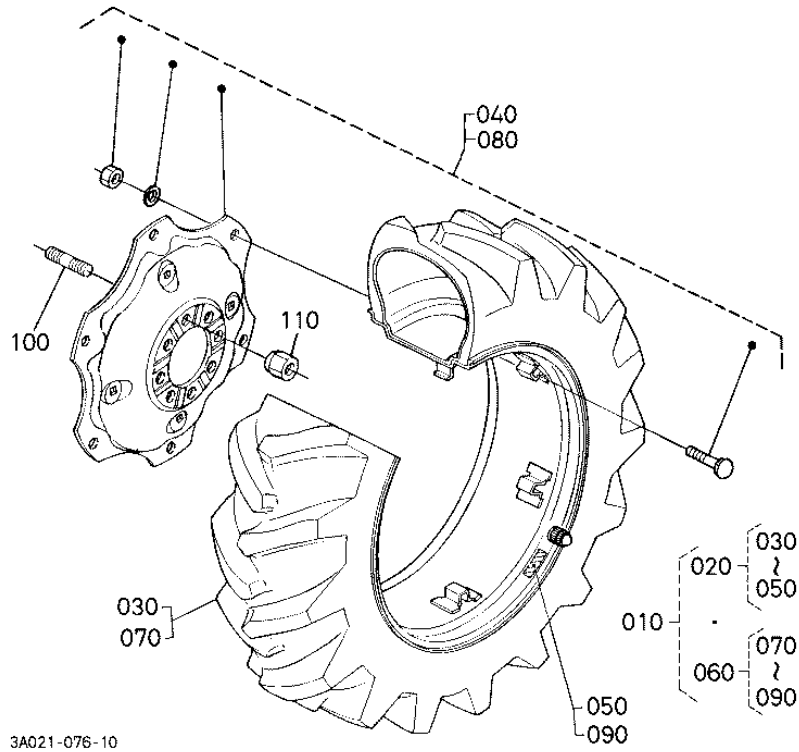
Ref	Part Number	Part Name	Qty	IC	S/N	Lbs	Remarks
010	35999-13113	ASSY FRONT WHEEL	1			0	MR8955A
020	35999-14253	ASSY FRONT WHEEL RH	1			0	MR8955AR
030	35999-13410	ASSY TIRE	1			0	MR8955AR
040	35999-13670	ASSY WHEEL	1			0	MR8955AR
050	99999-99999	LABEL TIRE RH	1			0	MR8955AR
060	35999-14263	ASSY FRONT WHEEL LH	1			0	MR8955AL
070	35999-13410	ASSY TIRE	1			0	MR8955AL

FRONT WHEEL (9.5-24)

Ref	Part Number	Part Name	Qty	IC	S/N	Lbs	Remarks
080	35999-13670	ASSY WHEEL	1			0	MR8955AL
090	99999-99999	LABEL TIRE LH	1			0	MR8955AL
100	32530-27410	STUD	16			0.176	
110	33251-49170	NUT	16			0.099	

REAR WHEEL (14.9-28)

Figure Num 01R12001



REAR WHEEL (14.9-28)

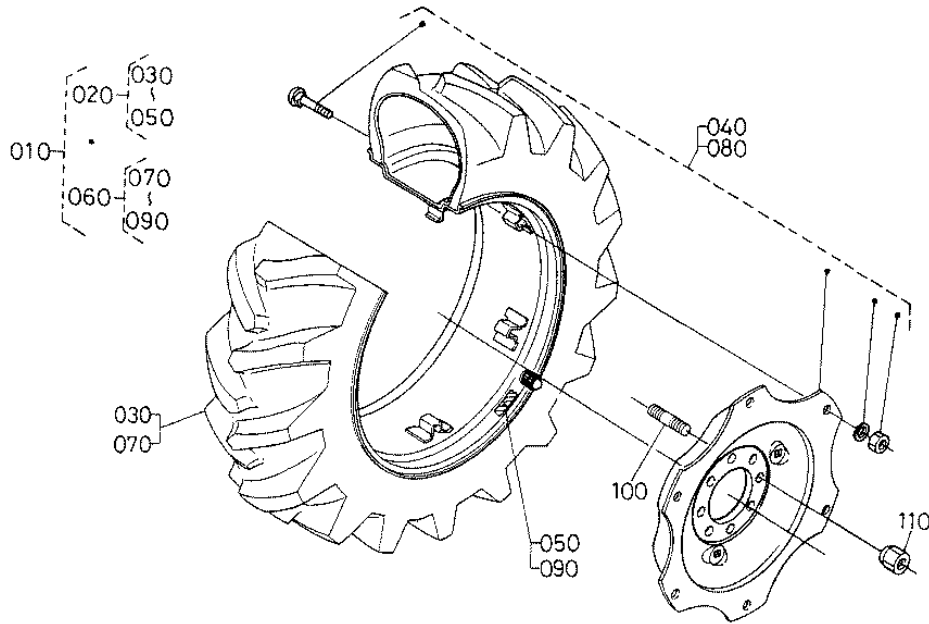
Ref	Part Number	Part Name	Qty	IC	S/N	Lbs	Remarks
010	35999-12830	ASSY REAR WHEEL	1			0	AMR8901
020	35999-13810	ASSY REAR WHEEL RH	1			0	AMR8901R
030	35999-13160	ASSY TIRE	1			0	AMR8901R
040	35999-13460	ASSY WHEEL	1			0	AMR8901R
050	99999-99999	LABEL TIRE RH	1			0	AMR8901R
060	35999-13820	ASSY REAR WHEEL LH	1			0	AMR8901L
070	35999-13160	ASSY TIRE	1			0	AMR8901L

REAR WHEEL (14.9-28)

Ref	Part Number	Part Name	Qty	IC	S/N	Lbs	Remarks
080	35999-13460	ASSY WHEEL	1			0	AMR8901L
090	99999-99999	LABEL TIRE LH	1			0	AMR8901L
100	35707-49153	STUD	16			0.22	
110	35707-49170	NUT	16			0.299	

REAR WHEEL (16.9-28)

Figure Num 01R12002



3A021-077-10

REAR WHEEL (16.9-28)

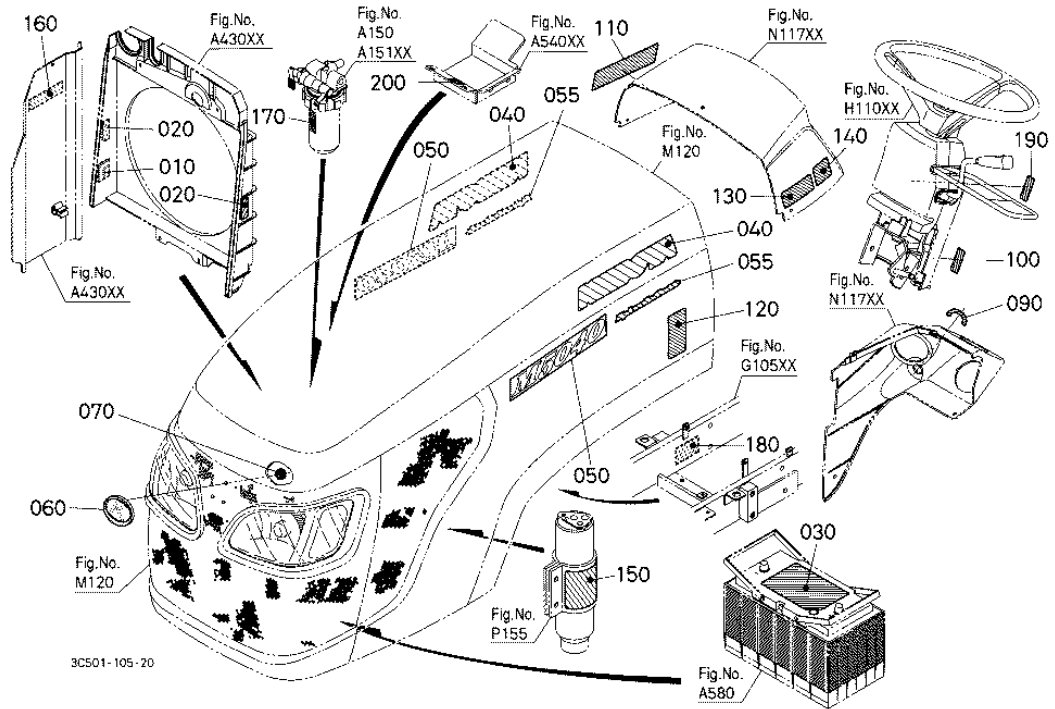
Ref	Part Number	Part Name	Qty	IC	S/N	Lbs	Remarks
010	32550-45100	ASSY REAR WHEEL	1			0	AMR8913
020	32550-45140	ASSY REAR WHEEL RH	1			0	AMR8913R
030	32590-45110	ASSY TIRE	1			0	AMR8913R
040	32550-45120	ASSY WHEEL	1			0	AMR8913R
050	99999-99999	LABEL TIRE RH	1			0	AMR8913R
060	32550-45150	ASSY REAR WHEEL LH	1			0	AMR8913L
070	32590-45110	ASSY TIRE	1			0	AMR8913L

REAR WHEEL (16.9-28)

Ref	Part Number	Part Name	Qty	IC	S/N	Lbs	Remarks
080	32550-45120	ASSY WHEEL	1			0	AMR8913L
090	99999-99999	LABEL TIRE LH	1			0	AMR8913L
100	35707-49153	STUD	16			0.22	
110	35707-49170	NUT	16			0.299	

LABEL 1 (FRONT) [A]

Figure Num 01S12002



LABEL 1 (FRONT) [A]

Ref	Part Number	Part Name	Qty	IC	S/N	Lbs	Remarks
010	16478-88230	LABEL RADIATOR	1			0.002	
020	6C090-49580	LABEL FAN WARNING	2			0.002	
030	3N300-98920	LABEL BATTERY	1			0.011	
040	TD060-80930	LABEL KUBOTA	2			0.015	
050	3C001-98200	LABEL	2			0.035	
055	3C291-98200	LABEL SHUTTLE	2			0.002	
060	K3511-49500	MARK SYMBOL	1			0.030	

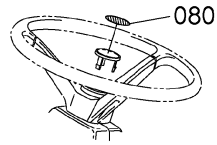
LABEL 1 (FRONT) [A]

Ref	Part Number	Part Name	Qty	IC	S/N	Lbs	Remarks
070	RA111-43690	NUT	3			0.002	
090	3C581-98180	LABEL MAIN SWITCH	1			0.002	
100	TD060-49450	MARK TILT	1			0.002	
110	3C581-98580	LABEL START CAUTION	1	>>	>=51721	0	
110	TA040-49650	LABEL START CAUTION	1		<=51720	0.008	
120	32310-49580	LABEL WARNING	1			0.004	
130	3F240-98570	LABEL SHUTTLE CAUTI.	1			0.002	
140	3A053-98600	LABEL CLUTCH CAUTION	1			0.002	
150	3N300-98270	LABEL RECEIVER TANK	1			0.002	
160	3A851-72950	LABEL COOLER	1			0.002	
170	15831-87462	LABEL	1		<=54471	0.002	
170	1G311-87460	LABEL	1	NI	>=54472	0	
180	16478-88220	LABEL FILTER	1			0.004	
190	TA040-49460	LABEL PARKING	1			0.002	
200	K3512-47190	LABEL HI-TEMP.	1		>=80001	0.002	

LABEL 1 (FRONT) [A]

Figure Num 01S12002

OLD PARTS



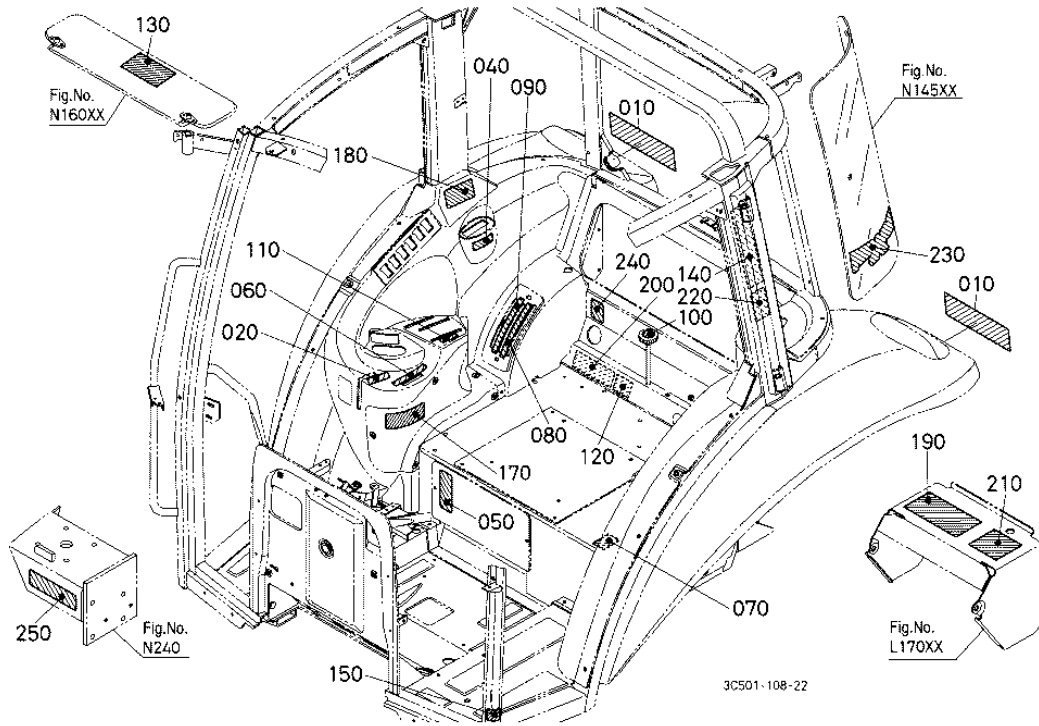
3C501-856-10

LABEL 1 (FRONT) [A]

Ref	Part Number	Part Name	Qty	IC	S/N	Lbs	Remarks
080	3F740-62802	LABEL PAD	1		<=54046	0.013	

LABEL 2 (REAR) [A]

Figure Num 01S13003



LABEL 2 (REAR) [A]

Ref	Part Number	Part Name	Qty	IC	S/N	Lbs	Remarks
010	3A211-75800	REFLECTOR LABEL	2			0.008	
020	3C081-98960	MARK H-L	1			0.002	
040	33740-98290	LABEL PTO CLUTCH	1		<=51720	0.002	
040	3C581-98290	LABEL PTO CLUTCH	1	>>	>=51721	0	
050	3C081-98410	MARK DIFF.LOCK	1			0.002	
060	3C081-98320	MARK ACCEL.LEVER	1			0.002	
070	3A121-98650	LABEL 4WD	1			0.002	

LABEL 2 (REAR) [A]

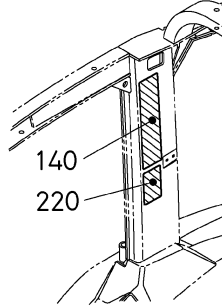
Ref	Part Number	Part Name	Qty	IC	S/N	Lbs	Remarks
080	3C081-98370	LABEL DRAFT	1			0.002	
090	3C081-98230	LABEL POSITION	1			0.002	
100	TA470-49330	MARK HYD.ADJUST.	1			0.002	
110	3C081-98390	LABEL AUX.CON.VALVE	1			0.002	
120	3A111-98572	LABEL AUX.CONT.VALVE	1			0.002	
130	3C041-98450	LABEL SPEED	1			0.006	
140	3F240-98362	LABEL SAFETY	1			0.008	
150	6C040-47412	LABEL FILLER CAUTION	1		<=54787	0.002	
150	TC230-49560	LABEL FILLER	1	NI	>=80001	0.002	
170	6C150-47430	LABEL PARKING WARNI.	1			0.004	
180	TA040-49302	LABEL I-PTO CAUTION	1			0.002	
190	TA040-49593	LABEL PTO WARNING	1			0.002	
200	3A111-98563	LABEL LIFT ROD	1		<=51923	0.004	
200	3P305-98560	LABEL LIFT ROD	1	>>	>=51924	0.004	
210	TA040-49350	LABEL DRAWBAR	1			0.004	
220	TA040-49020	LABEL CAB WARNING	1			0.004	
230	3C581-98170	LABEL CAB	1			0.006	
240	99999-99999	NAME PLATE CAB	1			0	
250	3C001-98580	LABEL PUMP DELIVERY	1			0.004	

LABEL 2 (REAR) [A]

Figure Num 01S13003

OLD PARTS

S.No. : <=51189



3C501-821-10

LABEL 2 (REAR) [A]

Ref	Part Number	Part Name	Qty	IC	S/N	Lbs	Remarks
140	3F240-98362	LABEL SAFETY	1			0.008	
220	TA040-49020	LABEL CAB WARNING	1			0.004	

ACCESSORIES AND SERVICE PARTS

Figure Num 01T110

ACCESSORIES AND SERVICE PARTS ACCESSOIRES ET PIECES DE SERVICE SONTIGES ZUBEHOER UND SERVICE-TEILE ACCESORIOS Y SERVICIO PIEZAS ACCESSORI E SERVIZIO PARTI

TITLE-001-11

ACCESSORIES AND SERVICE PARTS

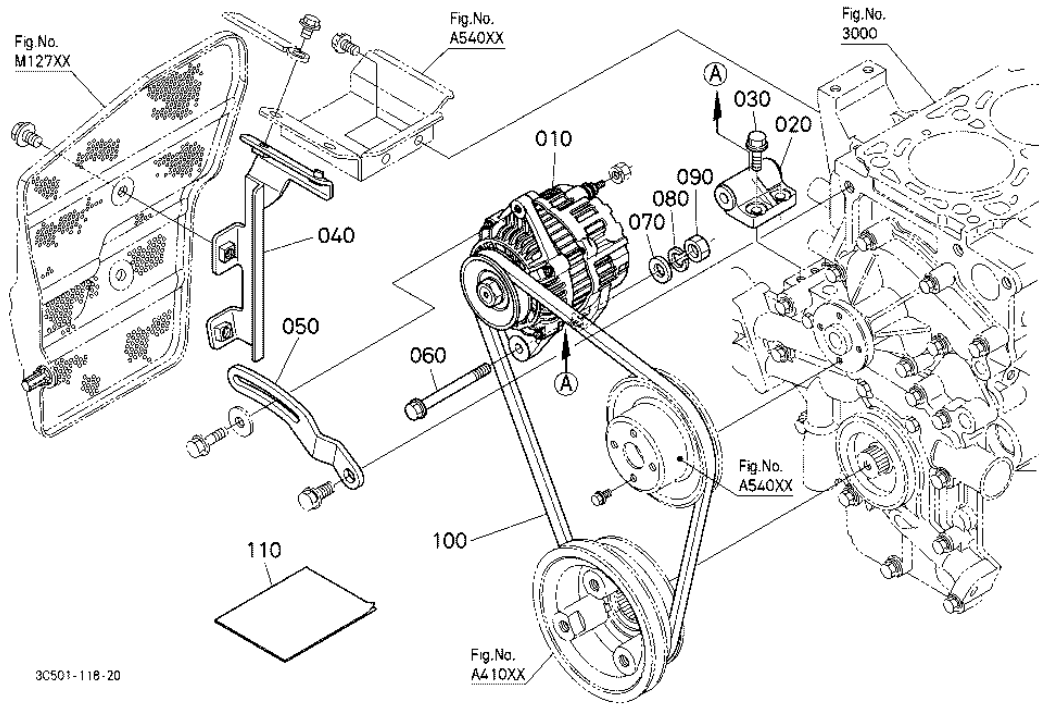
Ref	Part Number	Part Name	Qty	IC	S/N	Lbs	Remarks
010	3C501-99713	OPERATOR'S MANUAL	1	>>	>=51190	0	ENGLISH
010	3C501-99714	OPERATOR'S MANUAL	1	>>	>=53861	0	ENGLISH
010	3C511-99710	OPERATOR'S MANUAL	1	NI	>=80001	0	ENGLISH
010	3C501-99712	OPERATOR'S MANUAL	1		<=51189	0	ENGLISH
020	3C581-77160	FUSE	1			0.008	30A
030	3C581-77170	FUSE	1			0.008	40A
040	T1060-30530	FUSE	1			0.015	50A

ACCESSORIES AND SERVICE PARTS

Ref	Part Number	Part Name	Qty	IC	S/N	Lbs	Remarks
050	3F240-75550	FUSE	1			0.022	100A
055	36919-56650	FUSE AUTO	1		>=51502	0.004	
060	1G511-89815	STATEMENT WARRANTY	1	>>	>=53419	0.077	
060	1G511-89816	STATEMENT WARRANTY	1	>>	>=54144	0.077	
060	1G511-89814	STATEMENT WARRANTY	1		<=53418	0.077	
070	32530-27410	STUD	16			0.176	FOR FRONT WHEEL
080	33251-49170	NUT	16			0.099	FOR FRONT WHEEL
090	35707-49153	STUD	16			0.22	FOR REAR WHEEL
100	35707-49170	NUT	16			0.299	FOR REAR WHEEL
110	36919-75190	KEY MAIN SWITCH	1			0.011	SET

ALTERNATOR KIT 1 [A] [OPTION]

Figure Num 01U110



3C501-118-20

ALTERNATOR KIT 1 [A] [OPTION]

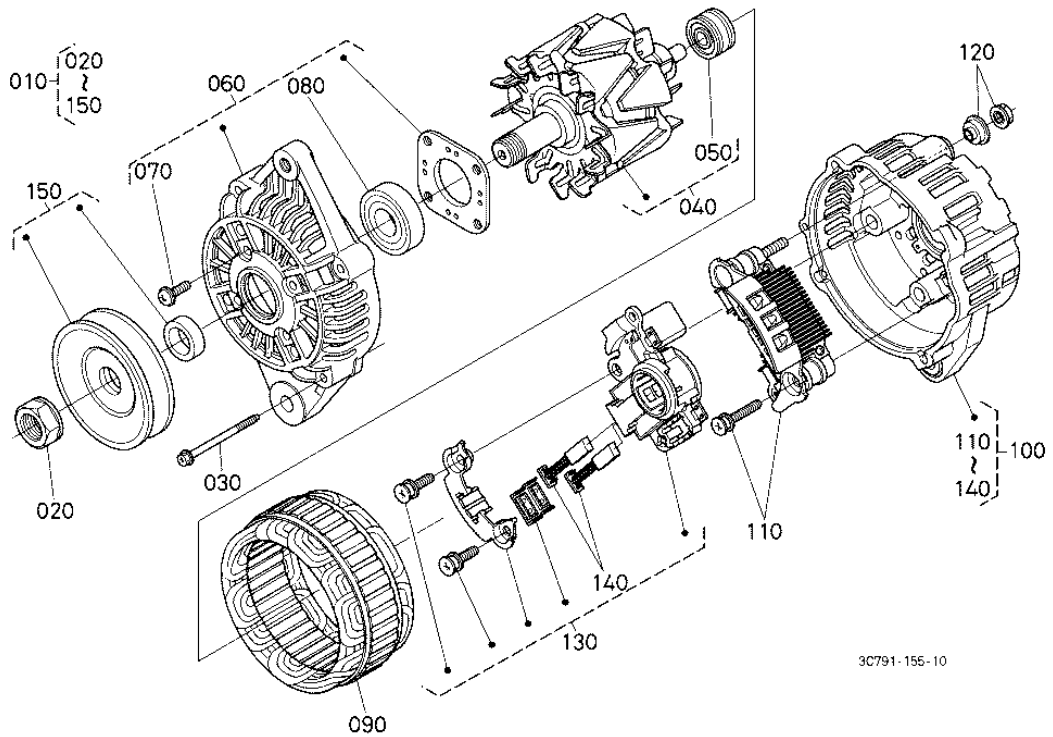
Ref	Part Number	Part Name	Qty	IC	S/N	Lbs	Remarks
010	3R600-64010	ASSY ALTERNATOR	1			0	80A
020	1G775-64350	SUPPORT DYNAMO	1			0.836	
030	01755-50820	BOLT FLANGE	2			0.165	
040	3C001-83393	STAY COVER RH	1			0.396	
050	1G775-64420	STAY DYNAMO	1			0.33	
060	01176-51002	BOLT	1			0.143	
070	04013-60100	WASHER PLAIN	1			0.006	

ALTERNATOR KIT 1 [A] [OPTION]

Ref	Part Number	Part Name	Qty	IC	S/N	Lbs	Remarks
080	04512-60100	WASHER SPRING	1			0.004	
090	02076-50100	NUT	1			0.013	
100	3C502-50890	V BELT	1			0.209	
110	99999-99999	MANUAL INSTRUCTION	1			0	

ALTERNATOR [COMPONENT PARTS] [A] [OPTION]

Figure Num 01U113



3C791-155-10

ALTERNATOR [COMPONENT PARTS] [A] [OPTION]

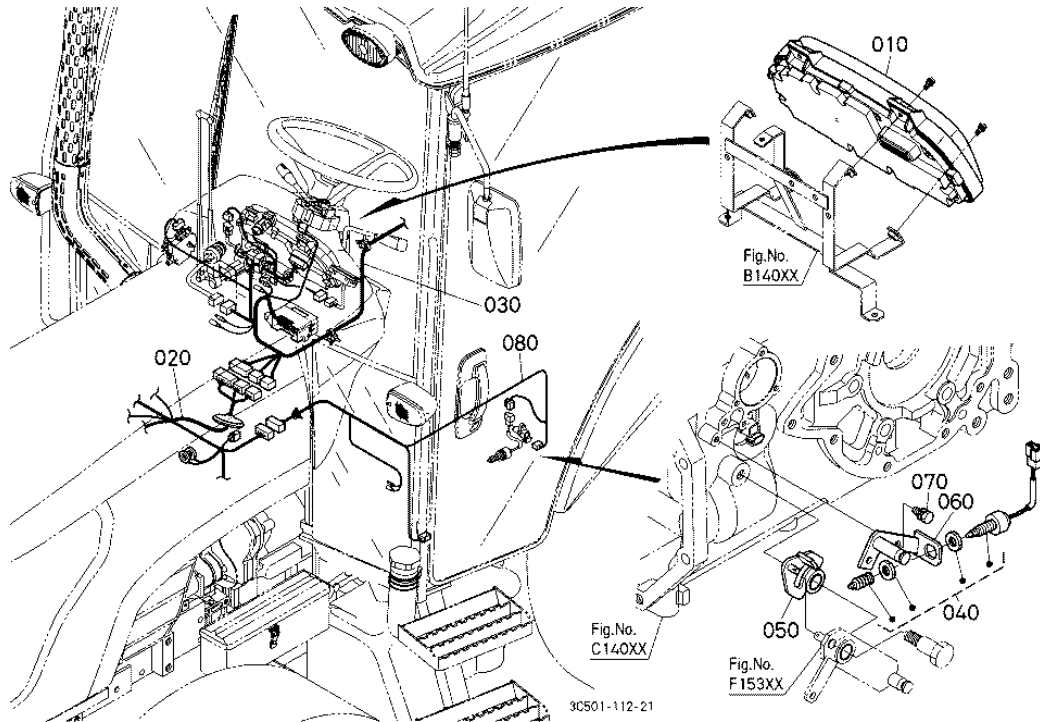
Ref	Part Number	Part Name	Qty	IC	S/N	Lbs	Remarks
010	3R600-64010	ASSY ALTERNATOR	1			0	80A
020	1C010-92010	NUT	1			0.044	
030	1C010-91050	SET BOLT	1			0.088	
040	3F261-78130	ASSY ROTOR	1			4.884	
050	1C010-64770	BEARING	1			0.052	
060	3F261-78110	ASSY BRACKET FRONT	1			1.078	
070	1C010-93010	SET BOLT	1			0.028	

ALTERNATOR [COMPONENT PARTS] [A] [OPTION]

Ref	Part Number	Part Name	Qty	IC	S/N	Lbs	Remarks
080	3F261-78120	BEARING	1			0.242	
090	3F261-78140	ASSY STATOR	1			2.09	
100	3R600-78150	ASSY BRACKET REAR	1			1.386	
110	3M760-78160	ASSY RECTIFIER	1			0.242	
120	1K011-92030	SET NUT	1			0.015	
130	3R600-78170	SET REGULATOR	1			0.264	
140	1C010-64310	SET BRUSH	2			0.006	
150	3N301-64110	ASSY PULLEY	1			0.506	

4WD INDICATOR [OLD TYPE] [OPTION] ## S.No.:<=50821

Figure Num 01U115



4WD INDICATOR [OLD TYPE] [OPTION]

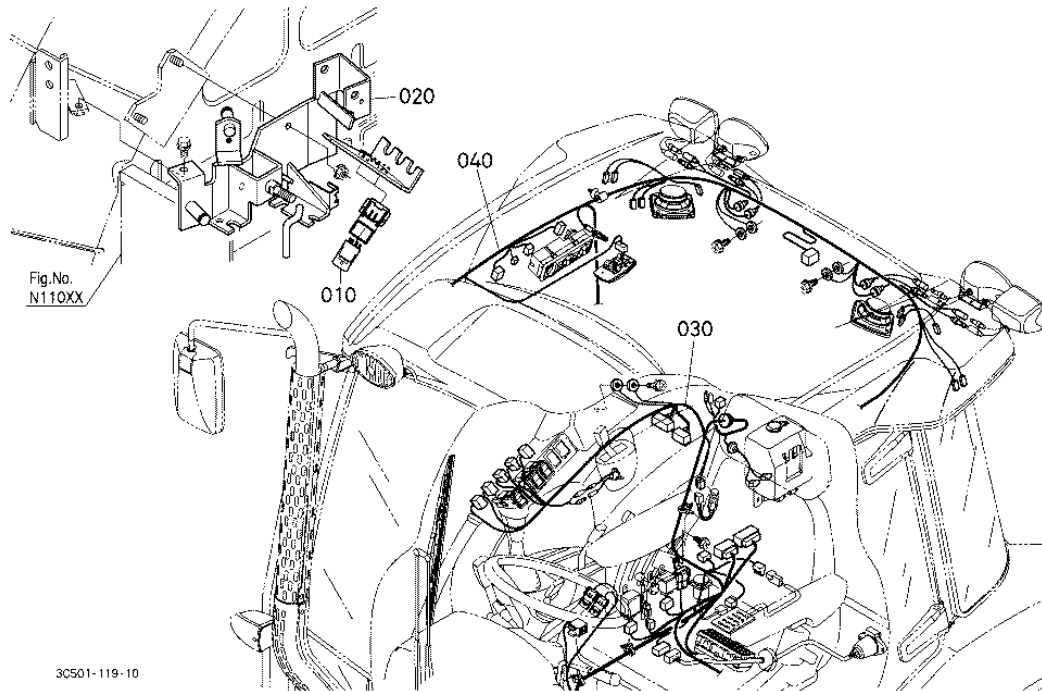
Ref	Part Number	Part Name	Qty	IC	S/N	Lbs	Remarks
010	3C091-75604	ASSY METER	1			1.606	
020	3C511-77223	WIRE HARNESS ENGINE	1	>>		3.74	
020	3C511-77222	WIRE HARNESS ENGINE	1			0	
030	3C582-77214	WIRE HARNESS MAIN	1	>>		7.788	
030	3C582-77212	WIRE HARNESS MAIN	1			0	
040	52320-42883	SWITCH SAFETY	1	>>		0.264	
040	52320-42882	SWITCH SAFETY	1			0.264	

4WD INDICATOR [OLD TYPE] [OPTION]

Ref	Part Number	Part Name	Qty	IC	S/N	Lbs	Remarks
050	3C011-41403	ASSY LEVER F.DRIVE	1			0.286	
060	3C011-41440	STAY SPRING	1			0.418	
070	01123-50818	BOLT	2			0.026	
080	3C511-77250	WIRE HARNESS BODY	1			0	

CIRCUIT OF DEFOGGER [OLD TYPE] [OPTION] ## S.No.;<=51501

Figure Num 01U116

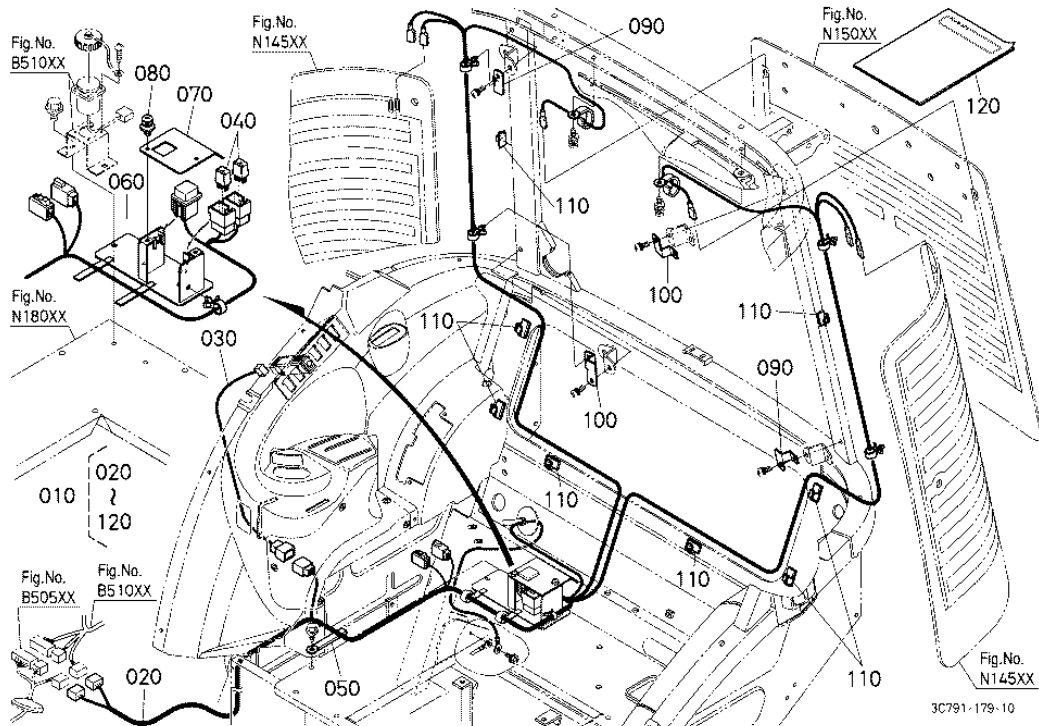


CIRCUIT OF DEFOGGER [OLD TYPE] [OPTION]

Ref	Part Number	Part Name	Qty	IC	S/N	Lbs	Remarks
010	3C081-75232	RELAY	2			0.033	
020	3C501-29726	BRACKET SHIFT LEVER	1			5.28	
030	3C582-77214	WIRE HARNESS MAIN	1	>>		7.788	
030	3C582-77212	WIRE HARNESS MAIN	1			0	
040	3C582-77243	WIRE HARNESS CAB	1	>>		2.53	
040	3C582-77240	WIRE HARNESS CAB	1			2.53	

WIRE HARNESS (DEFOGGER) [OLD TYPE] [OPTION] ## S.No.;<=52638

Figure Num 01U117



WIRE HARNESS (DEFOGGER) [OLD TYPE] [OPTION]

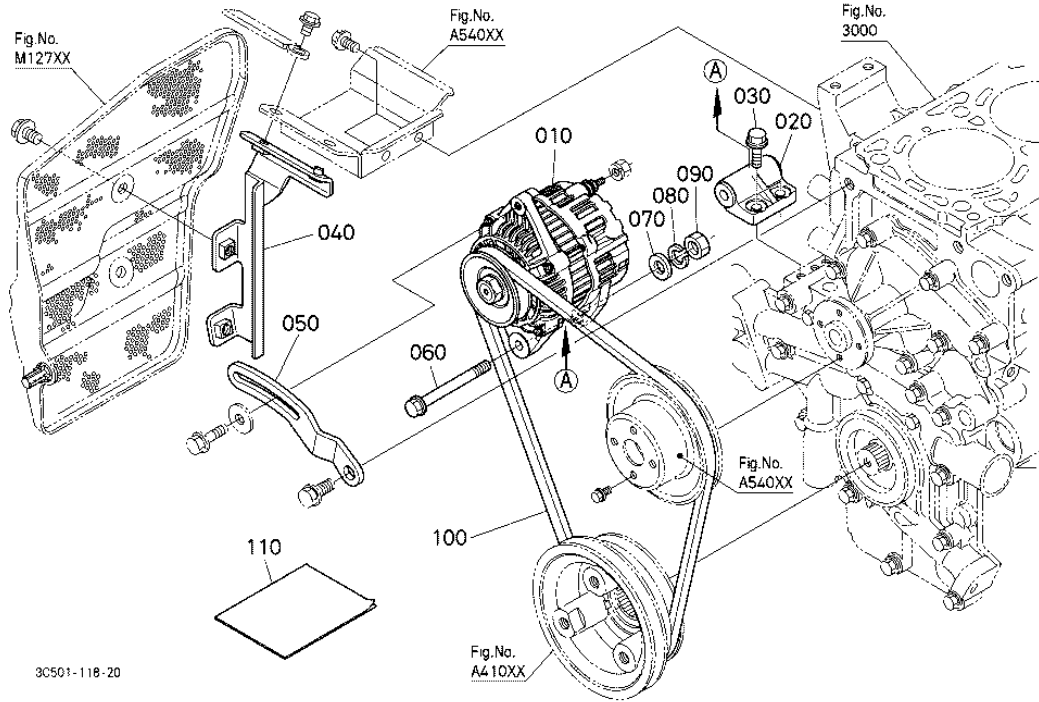
Ref	Part Number	Part Name	Qty	IC	S/N	Lbs	Remarks
010	3C581-97640	KIT WIRE HARNESS	1			0	
020	3C581-77350	WIRE HARNESS	1			0	
030	3C581-77360	WIRE HARNESS	1			0	
040	3C081-75232	RELAY	2			0.033	
050	13824-67590	CLAMP CORD	1			0.004	
060	3C581-77410	BRACKET	1			0	
070	3C581-77420	COVER	1			0	

WIRE HARNESS (DEFOGGER) [OLD TYPE] [OPTION]

Ref	Part Number	Part Name	Qty	IC	S/N	Lbs	Remarks
080	3F760-50390	SCREW	2			0.015	
090	3C581-77430	STAY	2			0	
100	3C581-77440	STAY	2			0	
110	3C581-77450	CLIP	8			0	
120	99999-99999	MANUAL INSTRUCTION	1			0	

REAR DEFOGGER KIT 1 (ALTERNATOR) [OPTION] ## NOTE:REFER TO Fig.No.U113 FOR COMPONENTS.

Figure Num 01U180



3C501-118-20

ALTERNATOR KIT 1 [A] [OPTION]

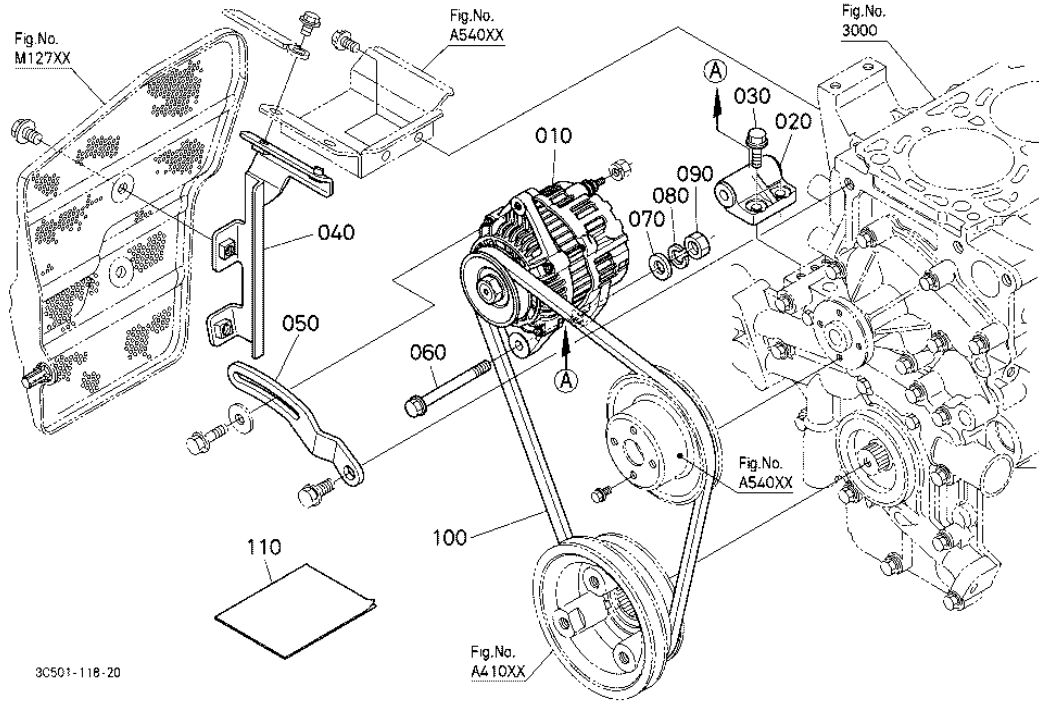
Ref	Part Number	Part Name	Qty	IC	S/N	Lbs	Remarks
010	3R600-64010	ASSY ALTERNATOR	1			0	80A
020	1G775-64350	SUPPORT DYNAMO	1			0.836	
030	01755-50820	BOLT FLANGE	2			0.165	
040	3C001-83393	STAY COVER RH	1			0.396	
050	1G775-64420	STAY DYNAMO	1			0.33	
060	01176-51002	BOLT	1			0.143	

ALTERNATOR KIT 1 [A] [OPTION]

Ref	Part Number	Part Name	Qty	IC	S/N	Lbs	Remarks
070	04013-60100	WASHER PLAIN	1			0.006	
080	04512-60100	WASHER SPRING	1			0.004	
090	02076-50100	NUT	1			0.013	
100	3C502-50890	V BELT	1			0.209	
110	99999-99999	MANUAL INSTRUCTION	1			0	

REAR DEFOGGER KIT 1 (ALTERNATOR) [OPTION] ## NOTE:REFER TO Fig.No.U113 FOR COMPONENTS.

Figure Num 01U180



REAR DEFOGGER KIT 1 (ALTERNATOR) [OPTION]

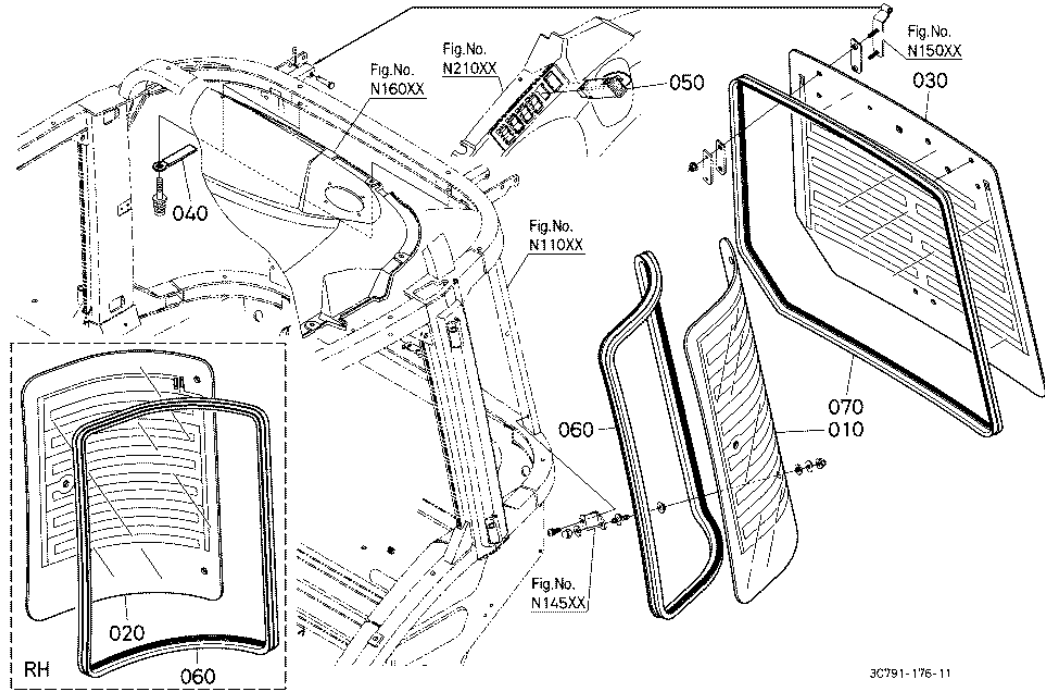
Ref	Part Number	Part Name	Qty	IC	S/N	Lbs	Remarks
010	3R600-64010	ASSY ALTERNATOR	1			0	80A SEE NOTE
020	1G775-64350	SUPPORT DYNAMO	1			0.836	
030	01755-50820	BOLT FLANGE	2			0.165	
040	3C001-83393	STAY COVER RH	1			0.396	
050	1G775-64420	STAY DYNAMO	1			0.33	
060	01176-51002	BOLT	1			0.143	

REAR DEFOGGER KIT 1 (ALTERNATOR) [OPTION]

Ref	Part Number	Part Name	Qty	IC	S/N	Lbs	Remarks
070	04013-60100	WASHER PLAIN	1			0.006	
080	04512-60100	WASHER SPRING	1			0.004	
090	02076-50100	NUT	1			0.013	
100	3C502-50890	V BELT	1			0.209	
110	99999-99999	MANUAL INSTRUCTION	1			0	

REAR DEFOGGER KIT 2 (GLASS) [OPTION]

Figure Num 01U181

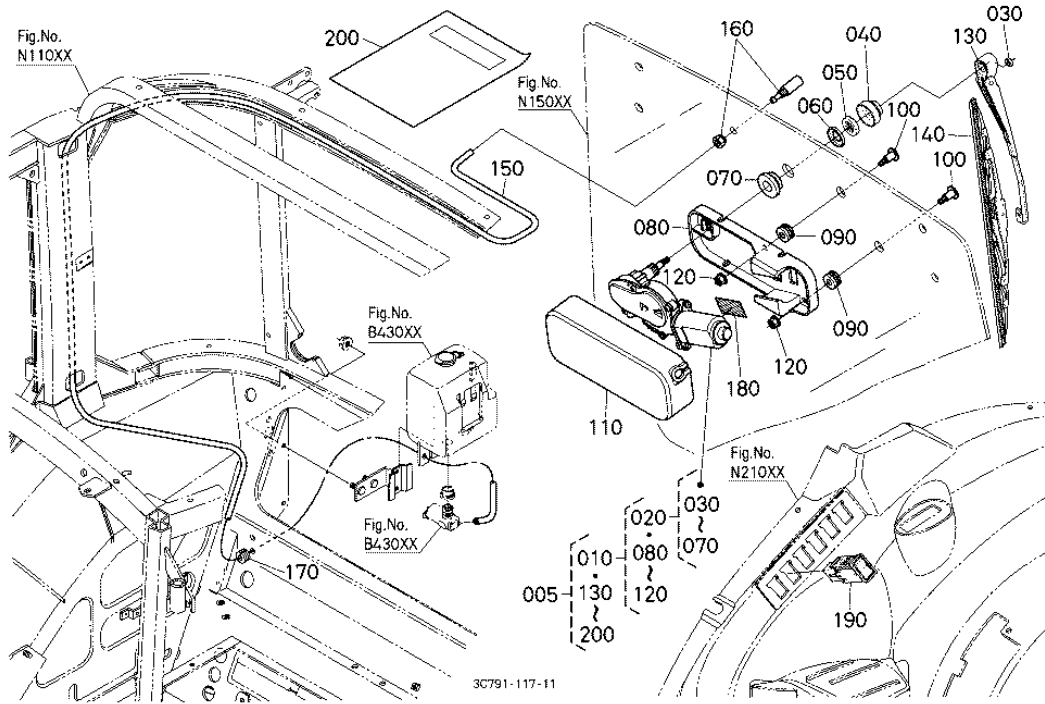


REAR DEFOGGER KIT 2 (GLASS) [OPTION]

Ref	Part Number	Part Name	Qty	IC	S/N	Lbs	Remarks
010	3C582-70530	GLASS LH	1			0	
020	3C582-70540	GLASS RH	1			0	
030	3C582-70552	GLASS HATCH BACK	1			15.4	
040	15241-67580	CLAMP CORD	2			0.008	
050	3C582-75100	SWITCH DEFOGGER	1			0.066	
060	3C581-61913	SHIELD	2			1.386	
070	3C581-71043	STRIP REAR WEATHER	1			1.716	

REAR WIPER KIT [A] [OPTION]

Figure Num 01U190



REAR WIPER KIT [A] [OPTION]

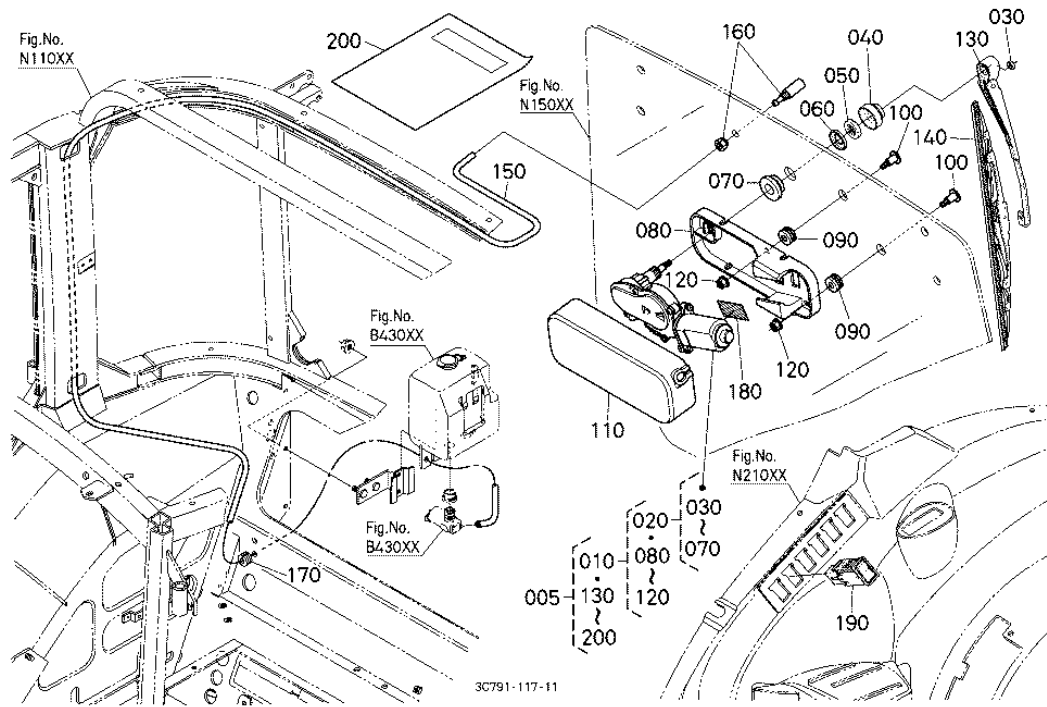
Ref	Part Number	Part Name	Qty	IC	S/N	Lbs	Remarks
005	3C581-97752	KIT WIPER REAR	1			1.232	
010	3C581-55780	MOTOR REAR WIPER	1			2.486	
020	3C581-57420	MOTOR BODY	1			1.782	
030	3P300-57510	NUT REAR WIPER	1			0.006	
040	3P300-57470	CAP REAR WIPER	1			0.017	
050	3P300-57450	NUT REAR WIPER	1			0.006	
060	3P300-57440	WASHER REAR WIPER	1			0.008	

REAR WIPER KIT [A] [OPTION]

Ref	Part Number	Part Name	Qty	IC	S/N	Lbs	Remarks
070	3P300-57430	SEAL REAR WIPER	1			0.022	
080	3P300-57462	PLATE REAR WIPER	1			0.198	
090	3P300-57480	CUSHION REAR WIPER	2			0.011	
100	3P300-57492	BOLT REAR WIPER	2			0.033	
110	3P300-57500	COVER REAR WIPER	1			0.462	
120	02751-50060	NUT FLANGE	2			0.011	
130	T1065-71120	ASSY ARM WIPER	1			0.308	
140	3P300-54170	BLADE REAR WIPER	1			0.242	
150	3A751-56720	TUBE WASHER	1			0.143	
160	3F760-54180	NOZZLE WASHER	1			0.017	
170	3F260-54580	GROMMET	1			0.004	
180	3P300-57520	LABEL REAR WIPER	1			0.004	
190	3C581-75340	SWITCH REAR WIPER	1			0.055	
200	99999-99999	MANUAL INSTRUCTION	1			0	

REAR WIPER KIT [A] [OPTION]

Figure Num 01U19002



REAR WIPER KIT [A] [OPTION]

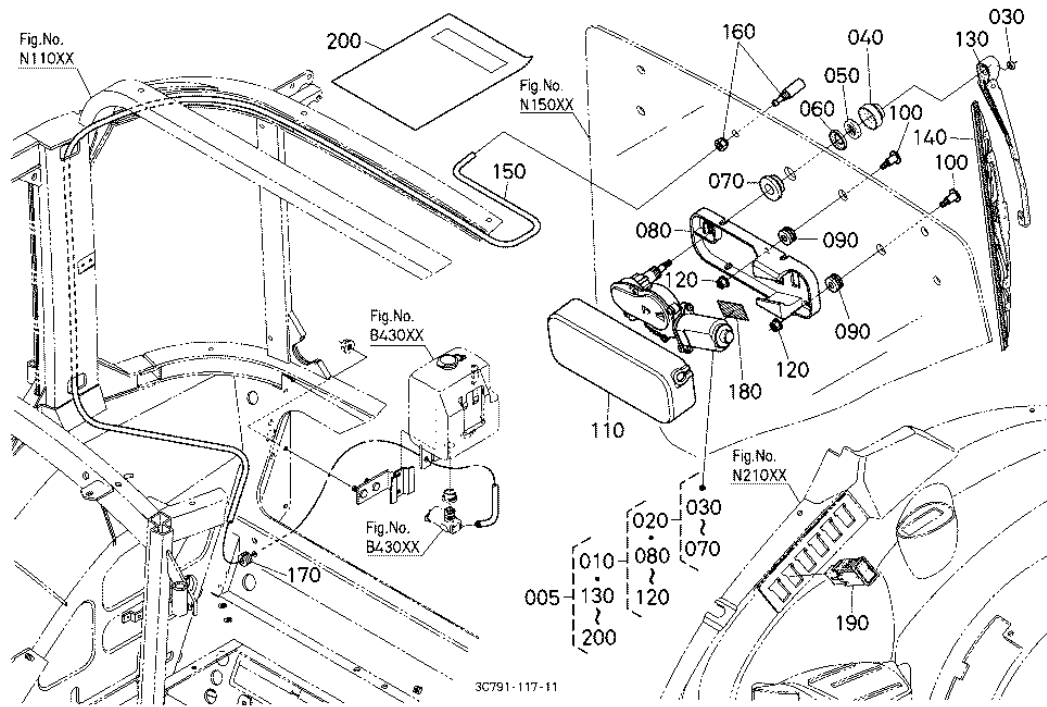
Ref	Part Number	Part Name	Qty	IC	S/N	Lbs	Remarks
005	3C581-97752	KIT WIPER REAR	1			1.232	
010	3C581-55780	MOTOR REAR WIPER	1			2.486	
020	3C581-57420	MOTOR BODY	1			1.782	
030	3P300-57510	NUT REAR WIPER	1			0.006	
040	3P300-57470	CAP REAR WIPER	1			0.017	
050	3P300-57450	NUT REAR WIPER	1			0.006	
060	3P300-57440	WASHER REAR WIPER	1			0.008	

REAR WIPER KIT [A] [OPTION]

Ref	Part Number	Part Name	Qty	IC	S/N	Lbs	Remarks
070	3P300-57430	SEAL REAR WIPER	1			0.022	
080	3P300-57462	PLATE REAR WIPER	1			0.198	
090	3P300-57480	CUSHION REAR WIPER	2			0.011	
100	3P300-57492	BOLT REAR WIPER	2			0.033	
110	3P300-57500	COVER REAR WIPER	1			0.462	
120	02751-50060	NUT FLANGE	2			0.011	
130	T1065-71120	ASSY ARM WIPER	1			0.308	
140	3P300-54170	BLADE REAR WIPER	1			0.242	
150	3A751-56720	TUBE WASHER	1			0.143	
160	3F760-54180	NOZZLE WASHER	1			0.017	
170	3F260-54580	GROMMET	1			0.004	
180	3P300-57520	LABEL REAR WIPER	1			0.004	
190	3C581-75340	SWITCH REAR WIPER	1			0.055	
200	99999-99999	MANUAL INSTRUCTION	1			0	

REAR WIPER KIT [A] [OPTION]

Figure Num 01U19002



REAR WIPER KIT [A] [OPTION]

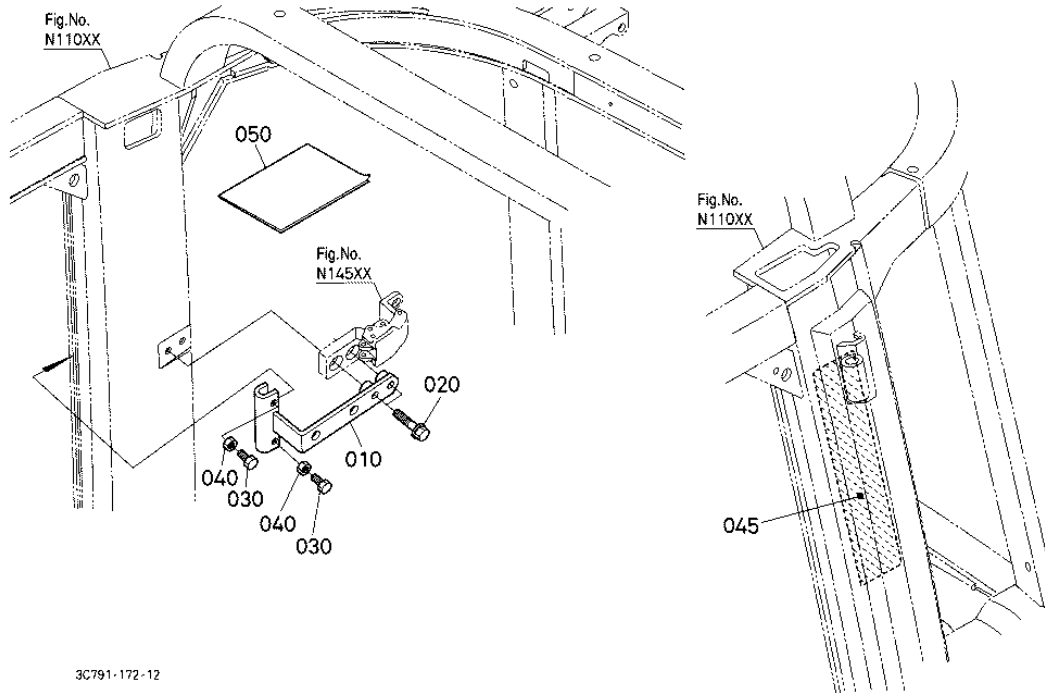
Ref	Part Number	Part Name	Qty	IC	S/N	Lbs	Remarks
005	3C581-97752	KIT WIPER REAR	1			1.232	
010	3C581-55780	MOTOR REAR WIPER	1			2.486	
020	3C581-57420	MOTOR BODY	1			1.782	
030	3P300-57510	NUT REAR WIPER	1			0.006	
040	3P300-57470	CAP REAR WIPER	1			0.017	
050	3P300-57450	NUT REAR WIPER	1			0.006	
060	3P300-57440	WASHER REAR WIPER	1			0.008	

REAR WIPER KIT [A] [OPTION]

Ref	Part Number	Part Name	Qty	IC	S/N	Lbs	Remarks
070	3P300-57430	SEAL REAR WIPER	1			0.022	
080	3P300-57462	PLATE REAR WIPER	1			0.198	
090	3P300-57480	CUSHION REAR WIPER	2			0.011	
100	3P300-57492	BOLT REAR WIPER	2			0.033	
110	3P300-57500	COVER REAR WIPER	1			0.462	
120	02751-50060	NUT FLANGE	2			0.011	
130	T1065-71120	ASSY ARM WIPER	1			0.308	
140	3P300-54170	BLADE REAR WIPER	1			0.242	
150	3A751-56720	TUBE WASHER	1			0.143	
160	3F760-54180	NOZZLE WASHER	1			0.017	
170	3F260-54580	GROMMET	1			0.004	
180	3P300-57520	LABEL REAR WIPER	1			0.004	
190	3C581-75340	SWITCH REAR WIPER	1			0.055	
200	99999-99999	MANUAL INSTRUCTION	1			0	

IMPLEMENT MONITOR STAY KIT [OPTION]

Figure Num 01U230



3C791-172-12

IMPLEMENT MONITOR STAY KIT [OPTION]

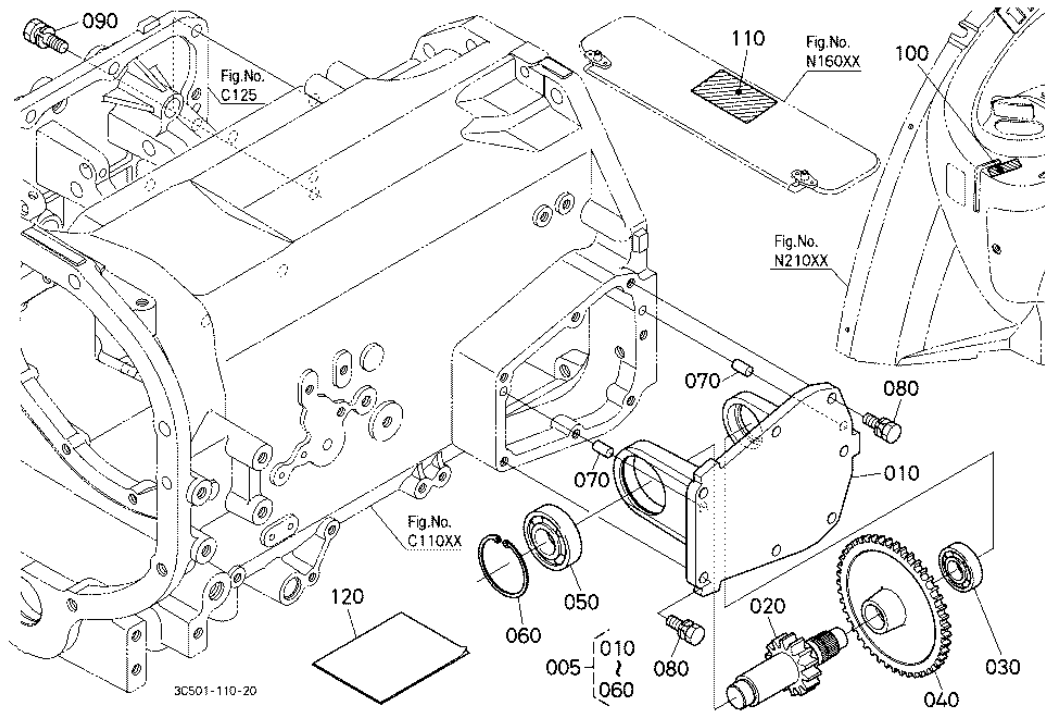
Ref	Part Number	Part Name	Qty	IC	S/N	Lbs	Remarks
010	3C581-50402	STAY IMPLEMENT	1	>>	>=52150	0	
010	3C581-50400	STAY IMPLEMENT	1		<=52149	0	
020	5H100-32900	BOLT FLANGE	2	>>	>=52150	0.022	
020	01754-50630	BOLT FLANGE	2		<=52149	0.022	
030	11196-77350	BOLT	2	>>	>=52150	0.011	
030	01053-50614	BOLT	2		<=52149	0.011	
040	02012-60060	NUT	2			0.011	

IMPLEMENT MONITOR STAY KIT [OPTION]

Ref	Part Number	Part Name	Qty	IC	S/N	Lbs	Remarks
045	3F240-98362	LABEL SAFETY	1			0.008	ENGLISH
050	99999-99999	MANUAL INSTRUCTION	1			0	

CREEP SPEED KIT [OPTION]

Figure Num 01U320



CREEP SPEED KIT [OPTION]

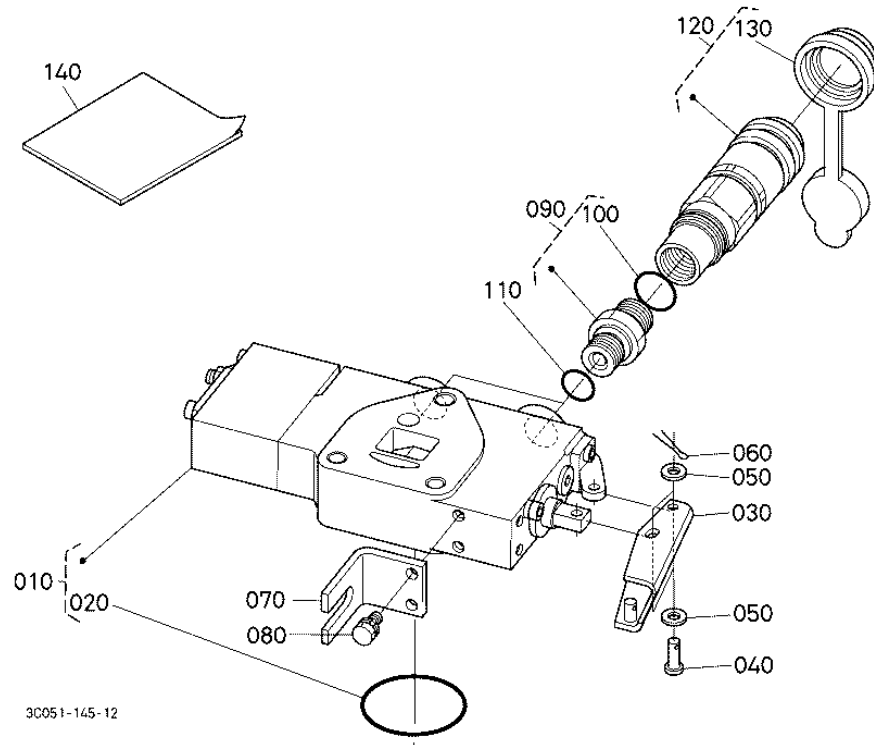
Ref	Part Number	Part Name	Qty	IC	S/N	Lbs	Remarks
010	3C001-31210	COVER HOLDER	1			9.46	
020	3C001-31280	GEAR-SHAFT CREEP	1			1.859	14T
030	08101-06204	BEARING BALL	1			0.224	
040	3C001-31250	GEAR CREEP	1			1.925	47T
050	08101-06305	BEARING BALL	1			0.506	
060	04611-00620	CIR CLIP INTERNAL	1			0.024	
070	05012-01018	PIN STRAIGHT	2			0.026	

CREEP SPEED KIT [OPTION]

Ref	Part Number	Part Name	Qty	IC	S/N	Lbs	Remarks
080	01133-51030	BOLT	7			0.055	
090	01133-51235	BOLT	2			0.094	
100	3C081-98970	LABEL RANGE SHIFT	1			0.002	
110	3C041-98460	LABEL CREEP	1			0.006	
120	99999-99999	MANUAL INSTRUCTION	1			0	

AUXILIARY CONTROL VALVE KIT (SCD) [OPTION]

Figure Num 01U70001



AUXILIARY CONTROL VALVE KIT (SCD) [OPTION]

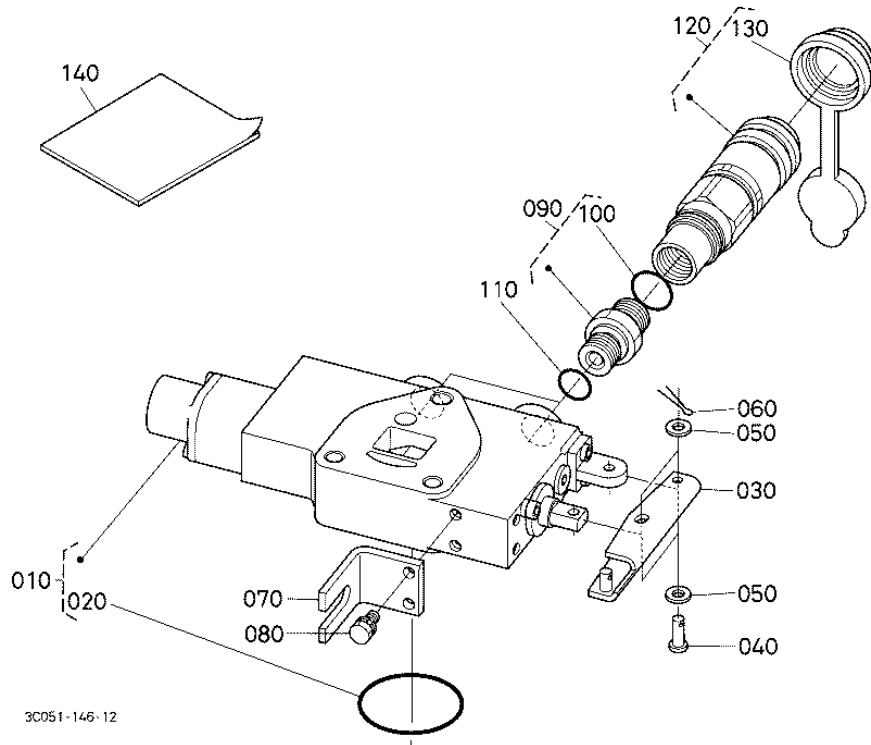
Ref	Part Number	Part Name	Qty	IC	S/N	Lbs	Remarks
010	3C081-82540	VALVE AUX.CONTROL	1			9.24	
020	04815-07560	O RING	1			0.004	
030	3F740-82390	SUPPORT AUX.CON.VALV	1			0.275	
040	05122-50518	PIN JOINT	2			0.004	
050	04012-50050	WASHER PLAIN	4			0.002	
060	05511-51212	PIN SPLIT	2			0.002	
070	3F740-82380	HOLDER	1			0.198	

AUXILIARY CONTROL VALVE KIT (SCD) [OPTION]

Ref	Part Number	Part Name	Qty	IC	S/N	Lbs	Remarks
080	01023-50612	BOLT	2			0.011	
090	3A151-82012	ASSY JOINT COUPLER	2			0.187	
100	68011-62140	O RING	2			0.002	
110	04816-00140	O RING	2			0.004	
120	3A111-82010	ASSY COUPLER	2			1.056	
130	3A111-94520	ASSY CAP DUST	2			0.041	
140	99999-99999	MANUAL INSTRUCTION	1			0	

AUXILIARY CONTROL VALVE KIT (FD) [OPTION]

Figure Num 01U70002



AUXILIARY CONTROL VALVE KIT (FD) [OPTION]

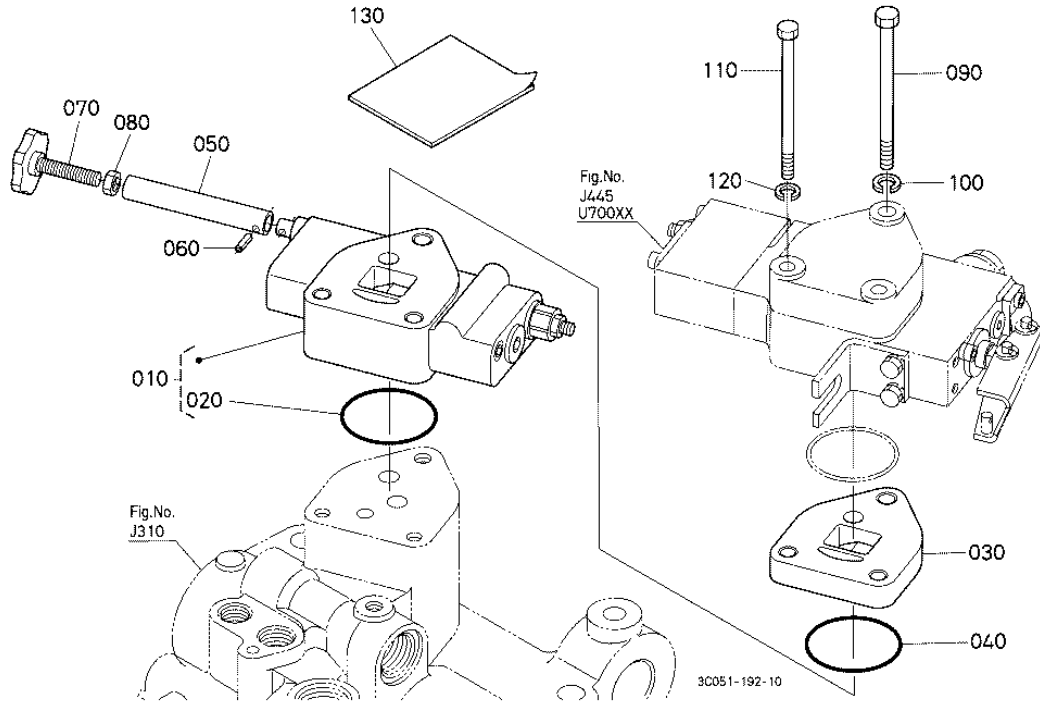
Ref	Part Number	Part Name	Qty	IC	S/N	Lbs	Remarks
010	3C081-82802	VALVE AUX.CONTROL	1	>>	>=53106	7.48	
010	3C081-82800	VALVE AUX.CONTROL	1		<=53105	7.48	
020	04815-07560	O RING	1			0.004	
030	3F750-82390	BRACKET	1			0.277	
040	05122-50518	PIN JOINT	2			0.004	
050	04012-50050	WASHER PLAIN	4			0.002	
060	05511-51212	PIN SPLIT	2			0.002	

AUXILIARY CONTROL VALVE KIT (FD) [OPTION]

Ref	Part Number	Part Name	Qty	IC	S/N	Lbs	Remarks
070	3F740-82380	HOLDER	1			0.198	
080	01023-50612	BOLT	2			0.011	
090	3A151-82012	ASSY JOINT COUPLER	2			0.187	
100	68011-62140	O RING	2			0.002	
110	04816-00140	O RING	2			0.004	
120	3A111-82010	ASSY COUPLER	2			1.056	
130	3A111-94520	ASSY CAP DUST	2			0.041	
140	99999-99999	MANUAL INSTRUCTION	1			0	

AUXILIARY CONTROL VALVE KIT (FC) [OPTION]

Figure Num 01U70003



AUXILIARY CONTROL VALVE KIT (FC) [OPTION]

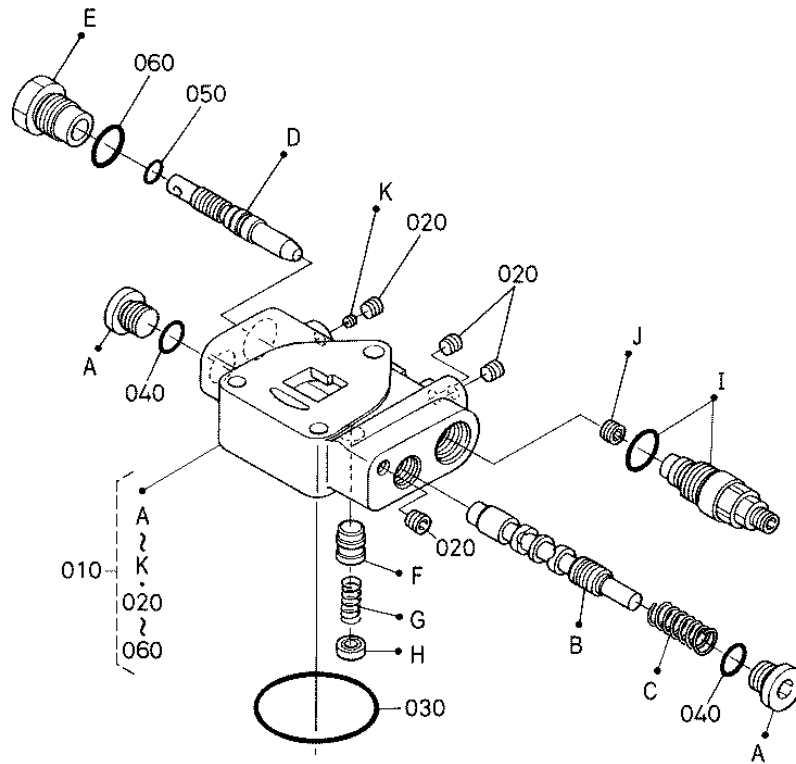
Ref	Part Number	Part Name	Qty	IC	S/N	Lbs	Remarks
010	3A151-82610	VALVE AUX.CONTROL	1			4.84	
020	04815-07560	O RING	1			0.004	
030	3G700-82073	SPACER AUX.CONTROL	1			0.693	
040	04815-07560	O RING	1			0.004	
050	3A151-82220	SHAFT	1			0.198	
060	05411-00414	PIN SPRING	1			0.002	
070	36919-81530	BOLT STOPPER	1			0.048	

AUXILIARY CONTROL VALVE KIT (FC) [OPTION]

Ref	Part Number	Part Name	Qty	IC	S/N	Lbs	Remarks
080	02114-50080	NUT	1			0.011	
090	01176-51004	BOLT	1			0.154	
100	04512-60100	WASHER SPRING	1			0.004	
110	01156-50804	BOLT	2			0.090	
120	04512-60080	WASHER SPRING	2			0.004	
130	3A151-99892	MANUAL INSTRUCTION	1			0.022	

AUXILIARY CONTROL VALVE (FC) [COMPONENT PARTS] [OPTION]

Figure Num 01U705



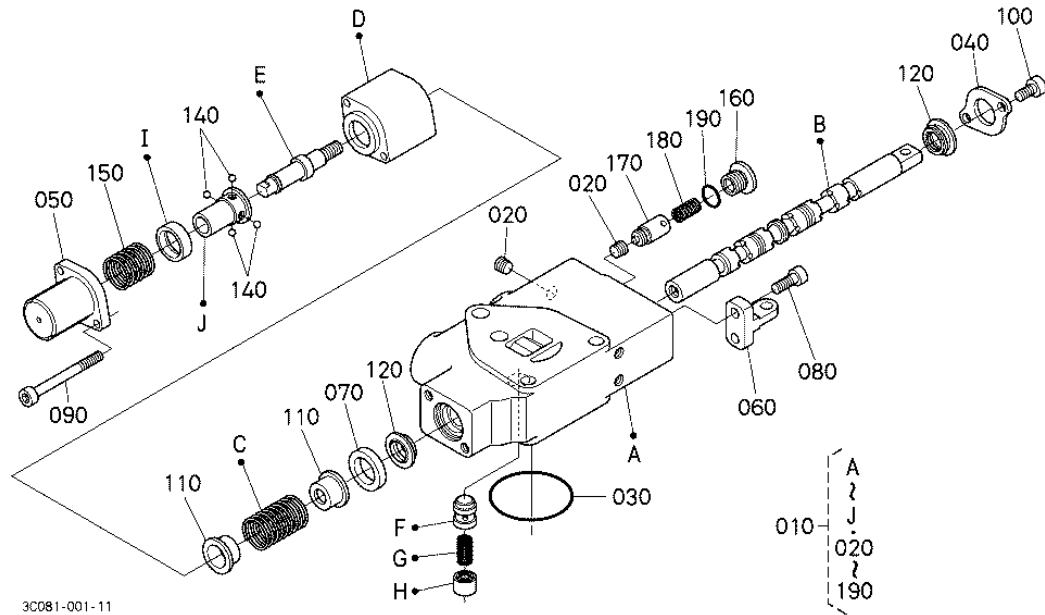
3A150-130-10

AUXILIARY CONTROL VALVE (FC) [COMPONENT PARTS] [OPTION]

Ref	Part Number	Part Name	Qty	IC	S/N	Lbs	Remarks
010	3A151-82610	VALVE AUX.CONTROL	1			4.84	
020	3F740-06020	PLUG	4			0.002	
030	04815-07560	O RING	1			0.004	
040	04817-00140	O RING	2			0.002	
050	04817-00090	O RING	1			0.002	
060	04817-00180	O RING	1			0.006	

AUXILIARY CONTROL VALVE (FD) [COMPONENT PARTS] [OPTION]

Figure Num 01U70501



3C081-001-11

AUXILIARY CONTROL VALVE (FD) [COMPONENT PARTS] [OPTION]

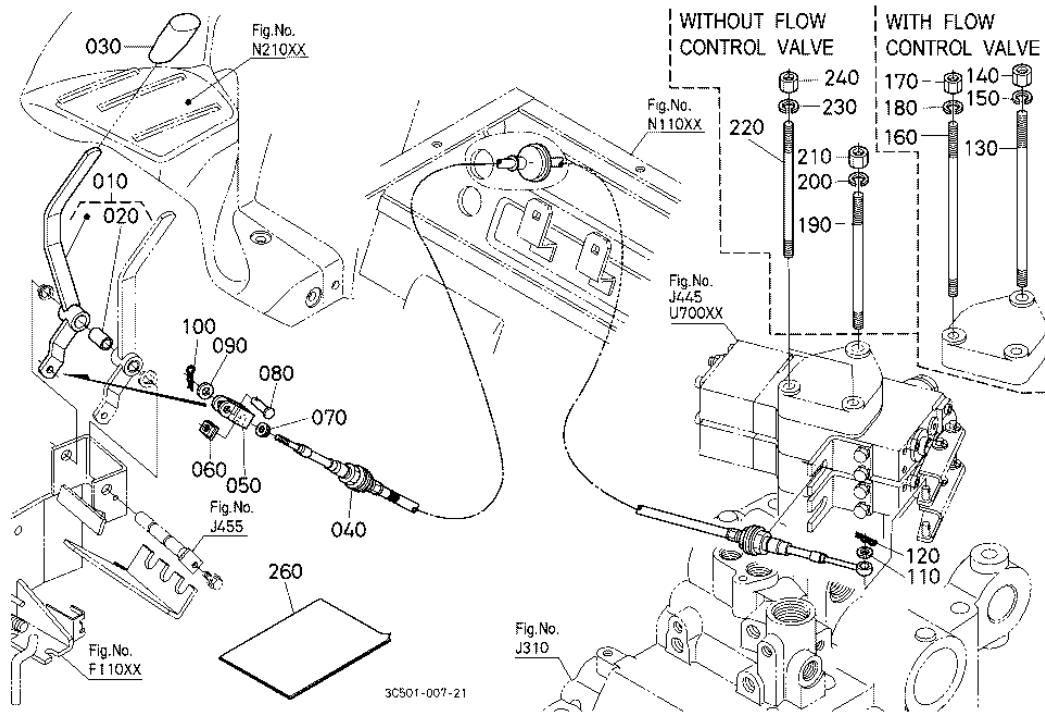
Ref	Part Number	Part Name	Qty	IC	S/N	Lbs	Remarks
010	3C081-82802	VALVE AUX.CONTROL	1	>>	>=53106	7.48	
010	3C081-82800	VALVE AUX.CONTROL	1		<=53105	7.48	
020	3F740-06020	PLUG	2			0.002	
030	04815-07560	O RING	1			0.004	
040	3F740-06040	COVER	1			0.030	
050	3R999-00040	COVER	1			0.264	
060	3F740-06150	ARM	1			0.070	

AUXILIARY CONTROL VALVE (FD) [COMPONENT PARTS] [OPTION]

Ref	Part Number	Part Name	Qty	IC	S/N	Lbs	Remarks
070	3F740-06430	WASHER	1			0.028	
080	01311-10616	BOLT HEX-SOC-HD	2			0.011	
090	01311-10655	BOLT HEX-SOC-HD	2			0	
100	01311-10612	BOLT HEX-SOC-HD	2			0.022	
110	3F740-06070	SEAT SPRING	2			0.011	
120	3F740-06080	GASKET	2			0.006	
140	07715-03205	BALL	4			0.002	
150	3A751-06480	SPRING	1			0.026	11.0kgf/ BLACK
150	3F740-06480	SPRING	1			0.022	10.2kgf/ GOLD
150	3F740-06490	SPRING	1			0.024	11.9kgf/ WHITE
160	3F740-06100	PLUG	1			0.033	
170	3F740-06110	PLUNGER	1			0.024	
180	3F740-06120	SPRING	1			0.002	
190	04817-00120	O RING	1			0.002	

AUXILIARY CONTROL VALVE LEVER KIT (2ND) [OPTION]

Figure Num 01U71001



AUXILIARY CONTROL VALVE LEVER KIT (2ND) [OPTION]

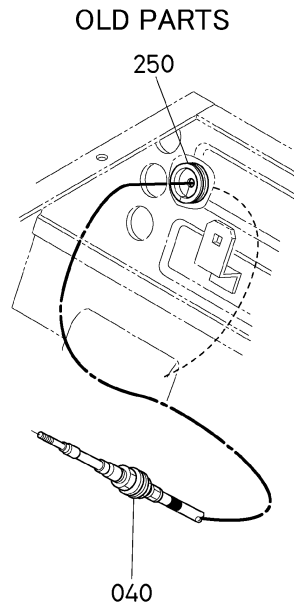
Ref	Part Number	Part Name	Qty	IC	S/N	Lbs	Remarks
010	3C581-82460	ASSY LEVER AUX.CON.	1			0.44	
020	08511-01220	BUSH	1			0.008	
030	3P300-43560	GRIP LEVER	1			0.077	
040	3C501-82980	WIRE AUX.CONT.VALVE	1		<=52419	0	
040	3C501-82983	WIRE AUX.CONT.VALVE	1	>>	>=52420	0.627	
050	3F740-82420	CLEVIS	1			0.039	
060	3F740-82430	NUT LOCK	1			0.008	

AUXILIARY CONTROL VALVE LEVER KIT (2ND) [OPTION]

Ref	Part Number	Part Name	Qty	IC	S/N	Lbs	Remarks
070	02761-50050	NUT FLANGE	1			0.004	
080	05122-60618	PIN JOINT	1			0.022	
090	04012-50060	WASHER PLAIN	1			0.002	
100	05525-60600	PIN SNAP	1			0.002	
110	04012-50080	WASHER PLAIN	1			0.002	
120	05515-60800	PIN SNAP	1			0.004	
130	3C081-93960	STUD AUX.CONTROL	1			0.253	WITH FLOW CONTROL
140	37300-14190	NUT	1			0.019	WITH FLOW CONTROL
150	04512-60100	WASHER SPRING	1			0.004	WITH FLOW CONTROL
160	3C081-93970	STUD AUX.CONTROL	2			0.154	WITH FLOW CONTROL
170	35320-25470	NUT	2			0.013	WITH FLOW CONTROL
180	04512-60080	WASHER SPRING	2			0.004	WITH FLOW CONTROL
190	3C081-93950	STUD AUX.CONTROL	1			0.187	WITHOUT FLOW CONT
200	04512-60100	WASHER SPRING	1			0.004	WITHOUT FLOW CONT
210	37300-14190	NUT	1			0.019	WITHOUT FLOW CONT
220	3C081-93940	STUD AUX.CONTROL	2			0.121	WITHOUT FLOW CONT
230	04512-60080	WASHER SPRING	2			0.004	WITHOUT FLOW CONT
240	35320-25470	NUT	2			0.013	WITHOUT FLOW CONT
260	99999-99999	MANUAL INSTRUCTION	1			0	

AUXILIARY CONTROL VALVE LEVER KIT (2ND) [OPTION]

Figure Num 01U71001



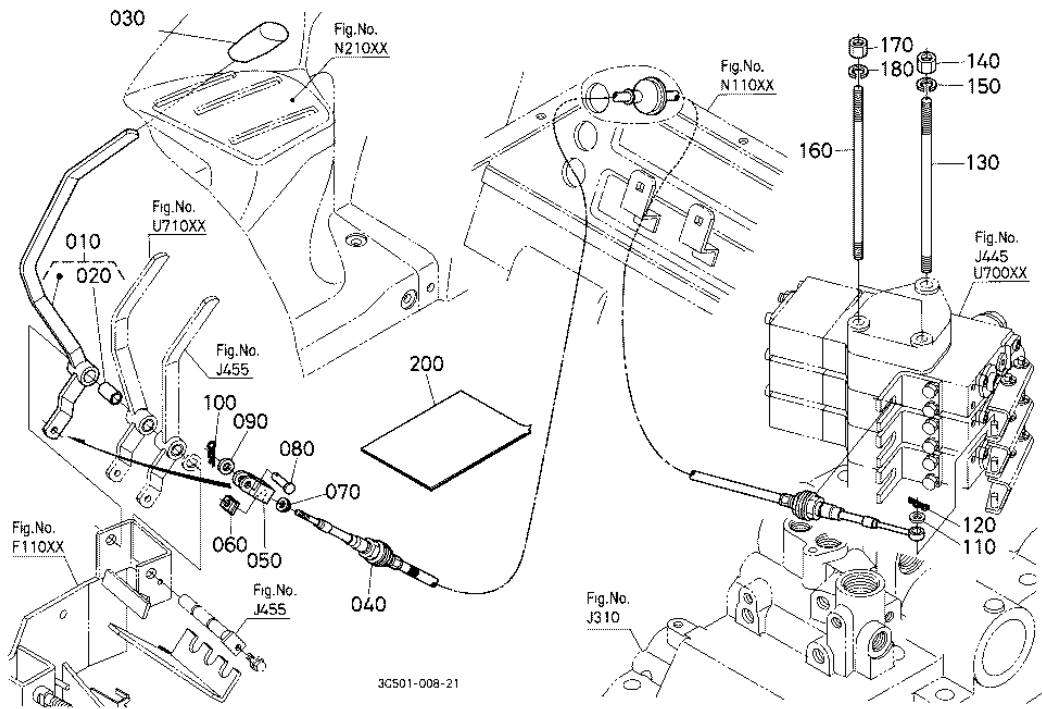
3C501-824-20

AUXILIARY CONTROL VALVE LEVER KIT (2ND) [OPTION]

Ref	Part Number	Part Name	Qty	IC	S/N	Lbs	Remarks
040	3C501-82983	WIRE AUX.CONT.VALVE	1	>>	>=52420	0.627	
040	3C501-82980	WIRE AUX.CONT.VALVE	1		<=52419	0	
250	3C581-30012	GROMMET WIRE	1		<=52419	0.017	

AUXILIARY CONTROL VALVE LEVER KIT (3RD) [OPTION]

Figure Num 01U71002



AUXILIARY CONTROL VALVE LEVER KIT (3RD) [OPTION]

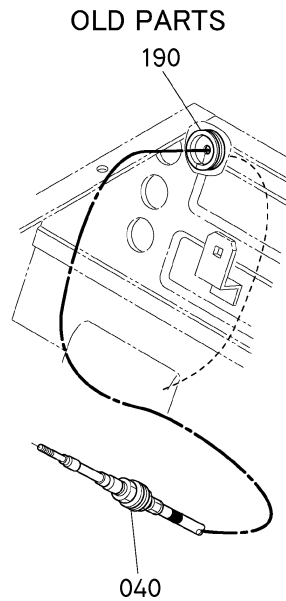
Ref	Part Number	Part Name	Qty	IC	S/N	Lbs	Remarks
010	3C581-97110	ASSY LEVER AUX.CON.	1			0.594	
020	08511-01220	BUSH	1			0.008	
030	3P300-43560	GRIP LEVER	1			0.077	
040	3C501-82980	WIRE AUX.CONT.VALVE	1		<=52419	0	
040	3C501-82983	WIRE AUX.CONT.VALVE	1	>>	>=52420	0.627	
050	3F740-82420	CLEVIS	1			0.039	
060	3F740-82430	NUT LOCK	1			0.008	

AUXILIARY CONTROL VALVE LEVER KIT (3RD) [OPTION]

Ref	Part Number	Part Name	Qty	IC	S/N	Lbs	Remarks
070	02761-50050	NUT FLANGE	1			0.004	
080	05122-60618	PIN JOINT	1			0.022	
090	04012-50060	WASHER PLAIN	1			0.002	
100	05525-60600	PIN SNAP	1			0.002	
110	04012-50080	WASHER PLAIN	1			0.002	
120	05515-60800	PIN SNAP	1			0.004	
130	3C081-93960	STUD AUX.CONTROL	1			0.253	
140	37300-14190	NUT	1			0.019	
150	04512-60100	WASHER SPRING	1			0.004	
160	3C081-93970	STUD AUX.CONTROL	2			0.154	
170	35320-25470	NUT	2			0.013	
180	04512-60080	WASHER SPRING	2			0.004	
200	99999-99999	MANUAL INSTRUCTION	1			0	

AUXILIARY CONTROL VALVE LEVER KIT (3RD) [OPTION]

Figure Num 01U71002



3C501-824-30

AUXILIARY CONTROL VALVE LEVER KIT (3RD) [OPTION]

Ref	Part Number	Part Name	Qty	IC	S/N	Lbs	Remarks
040	3C501-82983	WIRE AUX.CONT.VALVE	1	>>	>=52420	0.627	
040	3C501-82980	WIRE AUX.CONT.VALVE	1		<=52419	0	
190	3C581-30012	GROMMET WIRE	1		<=52419	0.017	