

Instructions for Parts Books

The heading at the top of the page will be the same for the picture of the parts as it is for the page with the part numbers.

Definition of column headings on part number pages:

REF.No → The number referring to the part on the picture page of the parts book.

Part No. → The number assigned to this part at the time of printing the parts book.

Description → Description of part.

Q'ty → Quantity of part used on that page.

S.No. → Serial number range of the equipment that this part will fit.

>= Your serial number should be greater than or equal to the number shown.

<= Your serial number should be lesser than or equal to the serial number shown.

I/C → Interchangeability of part shown.

↔ The part shown will work for the older and later serial number.

The part shown is not interchangeable with the other serial number.

← new for old

→ old for new

Remarks → Notes about this particular part. Sometimes this may say except [FR] or [CA]

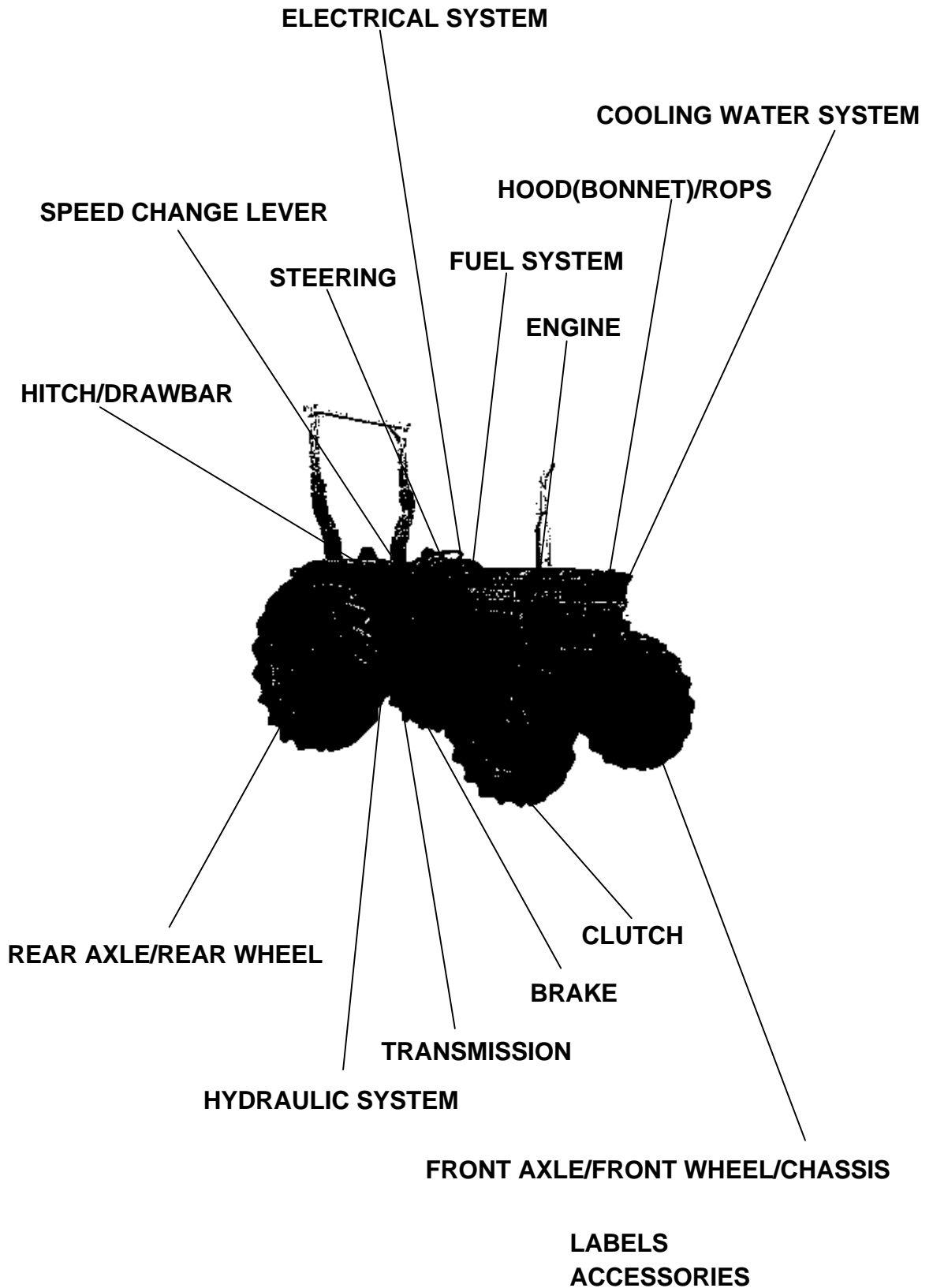
Note about Country Codes:

The parts books we use in the United States of America may also contain information about a part that would be different in another country. It is important that you are aware of the country codes in some instances.

| Symbol | Country |
|--------|--------------------------|
| A | United States of America |
| CA | Canada |
| FR | France |
| GR | Greece |
| PO | Portugal |
| AU | Australia |

If the remarks column says for example EXCEPT [FR] this part works in all countries except France. That means it will work here in the USA.

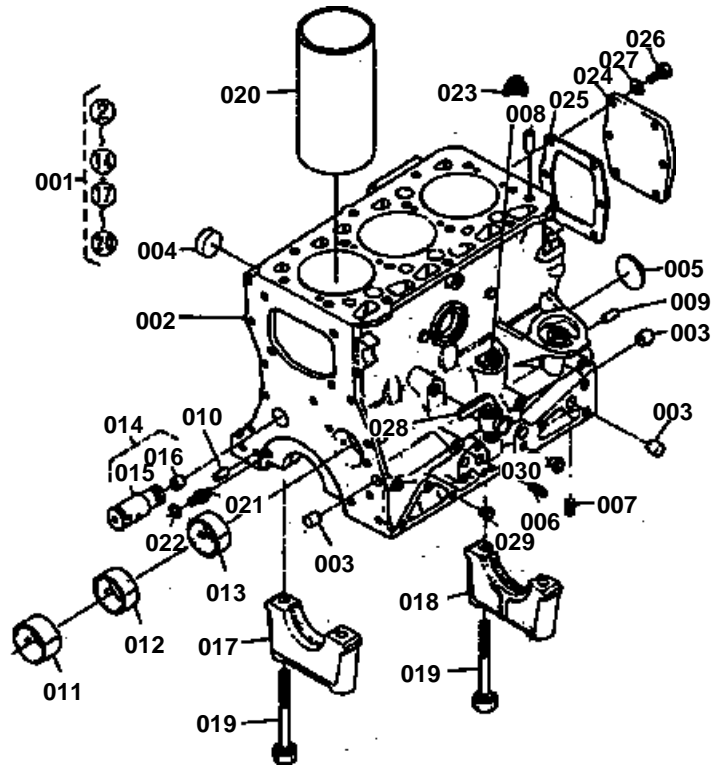
ALL PRODUCT INDEX
M5500DT



| Item | Part No. | Description | Book |
|---------------------------------------|--------------------|--------------------------------|-----------|
| ENGINE | 01001 | CRANKCASE 1 | 100K0403 |
| | 01002 | CRANKCASE 2 | 100K0403 |
| | 01003 | CYLINDER HEAD | 100K0403 |
| | 01004 | GEAR CASE | 100K0403 |
| | 01005 | BREATHER | 100K0403 |
| | 01006 | AIR CLEANER | 100K0403 |
| | 01007 | MUFFLER | 100K0403 |
| | 01008 | VALVE AND ROCKER ARM | 100K0403 |
| | 01009 | HEAD COVER | 100K0403 |
| | 01010 | CAMSHAFT | 100K0403 |
| | 01011 | PISTON AND CRANKSHAFT | 100K0403 |
| | 01012 | FLYWHEEL | 100K0403 |
| | 01013 | OIL PUMP | 100K0403 |
| | 01014 | PIPE | 100K0403 |
| | 01015 | INJECTION PUMP | 100K0403 |
| | 01016 | STARTER DYNAMO | 100K0403 |
| | 01017 | RADIATOR | 100K0403 |
| | 01018 | WATER PUMP | 100K0403 |
| | 01019 | OIL PUMP BASE | 100K0403 |
| | 01084 | STARTER [SECTION PARTS] | 100K0403 |
| | 01085 | DYNAMO [SECTION PARTS] | 100K0403 |
| | 01086 | FUEL PUMP [SECTION PARTS] | 100K0403 |
| | 01087 | INJECTION PUMP [SECTION PARTS] | 100K0403 |
| | 01088 | FUEL FILTER [SECTION PARTS] | 100K0403 |
| | 01089 | SEDIMENTER [SECTION PARTS] | 100K0403 |
| | 01090 | NOZZLE HOLDER [SECTION PARTS] | 100K0403 |
| | FUEL SYSTEM | 01020 | FUEL TANK |
| SPEED CHANGE LEVER | 01021 | ACCEL ROD | 100K0403 |
| | 01022 | HAND ACCEL | 100K0403 |
| COOLING WATER SYSTEM | 01023 | BATTERY SUPPORT | 100K0403 |
| CLUTCH | 01024 | CLUTCH HOUSING | 100K0403 |
| | 01025 | CHANGE COVER | 100K0403 |
| TRANSMISSION | 01026 | TRANSMISSION | 100K0403 |
| FRONT AXLE/FRONT WHEEL/CHASSIS | 01027 | FRONT AXLE | 100K0403 |
| CLUTCH | 01028 | CLUTCH | 100K0403 |
| TRANSMISSION | 01029 | MISSION GEAR | 100K0403 |
| CLUTCH | 01030 | CLUTCH PEDAL | 100K0403 |
| SPEED CHANGE LEVER | 01031 | LEVER | 100K0403 |
| | 01032 | 1 2 SHIFT LEVER | 100K0403 |
| | 01033 | MAIN CHANGE LEVER | 100K0403 |
| REAR AXLE/REAR WHEEL | 01034 | DIFF SUPPORT | 100K0403 |
| | 01035 | REDUCTION SHAFT | 100K0403 |
| | 01036 | BEVEL PINION | 100K0403 |
| | 01037 | AXLE CASE | 100K0403 |
| | 01038 | REAR WHEEL [A][NZ][AU] | 100K0403 |
| STEERING | 01040 | STEERING | 100K0403 |
| | 01041 | POWER STEERING | 100K0403 |
| BRAKE | 01042 | BRAKE | 100K0403 |
| | 01043 | BRAKE PEDAL | 100K0403 |
| | 01044 | HAND BRAKE | 100K0403 |
| ELECTRICAL SYSTEM | 01045 | ELECTRICAL | 100K0403 |
| | 01046 | BATTERY | 100K0403 |
| | 01047 | MAIN SWITCH | 100K0403 |
| | 01048 | PANEL BOARD | 100K0403 |
| | 01049 | LAMP | 100K0403 |
| | 01050 | WIRE HARNESS | 100K0403 |
| TRANSMISSION | 01051 | PTO SHAFT | 100K0403 |
| SPEED CHANGE LEVER | 01052 | SHIFT FORK | 100K0403 |
| | 01053 | POSITION OPERATE | 100K0403 |

| Item | Part No. | Description | Book | |
|--------------------------------|-------------------|-----------------------------|------------|----------|
| HYDRAULIC SYSTEM | 01054 | TOP LINK | 100K0403 | |
| | 01055 | CYLINDER | 100K0403 | |
| | 01056 | OIL PUMP | 100K0403 | |
| | 01057 | CONTROL VALVE [A][NZ] | 100K0403 | |
| | 01060 | OIL PUMP CYLINDER LINER | 100K0403 | |
| | 01061 | FILTER CASE | 100K0403 | |
| | 01062 | OIL PUMP ARM SHAFT | 100K0403 | |
| | HOOD(BONNET)/ROPS | 01063 | BONNET 1 | 100K0403 |
| | | 01064 | BONNET 2 | 100K0403 |
| | | 01065 | BELT COVER | 100K0403 |
| 01066 | | SEAT | 100K0403 | |
| 01067 | | FENDER | 100K0403 | |
| HITCH/DRAWBAR | 01068 | TOWING DRAWBAR | 100K0403 | |
| LABELS | 01069 | NAME PLATE | 100K0403 | |
| SPEED CHANGE LEVER | 01074 | CREEP SHAFT | 100K0403 | |
| CLUTCH | 01075 | DRIVE CASE | 100K0403 | |
| | 01076 | PROPELLER SHAFT | 100K0403 | |
| FRONT AXLE/FRONT WHEEL/CHASSIS | 01077 | DIFF CASE 1 | 100K0403 | |
| | 01078 | DIFF CASE 2 | 100K0403 | |
| | 01079 | FRONT AXLE SUPPORT | 100K0403 | |
| | 01080 | FRONT WHEEL CASE | 100K0403 | |
| STEERING | 01081 | FRONT WHEEL CASE | 100K0403 | |
| | 01082 | KNUCKLE ARM | 100K0403 | |
| FRONT AXLE/FRONT WHEEL/CHASSIS | 01083 | DIFF LOCK PEDAL | 100K0403 | |
| STEERING | 01091 | BOOSTER [SECTION PARTS] | 100K0403 | |
| HYDRAULIC SYSTEM | 01092 | 3-POINT LINK | 100K0403 | |
| ELECTRICAL SYSTEM | 01093 | WORK LAMP [A][NZ] | 100K0403 | |
| ACCESSORIES | 01096 | ACCESSORY AND SERVICE PARTS | 100K0403 | |

CRANKCASE 1

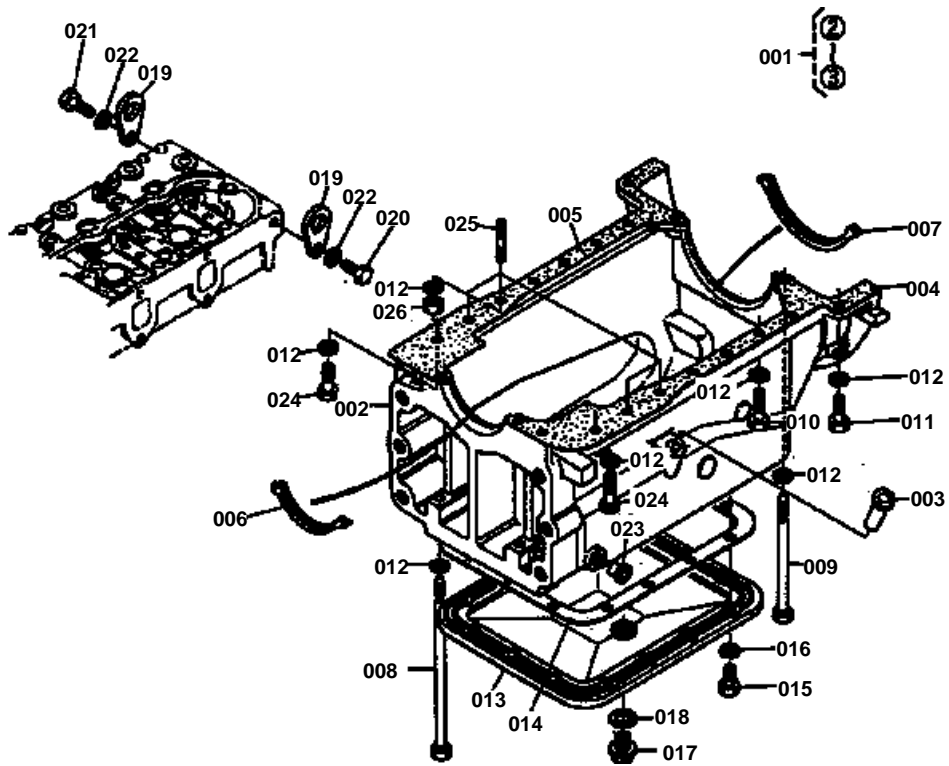


**CRANKCASE 1**

↔ Interchangeable; ≠ not interchangeable; ← new for old; → old for new

| REF.No | Part No. | Description | Q'ty | S.No. | I/C | REMARKS | Weight (kgf) | Weight (lb) |
|--------|-------------|----------------------|------|-------|-----|---------------------|--------------|-------------|
| 001 | 15351-01010 | ASSY CRANKCASE | 1 | | | | 80 | 176 |
| 002 | 99999-99999 | BLANK | 0 | | | ORDER BY REF.No.001 | 0 | 0 |
| 003 | 15451-96860 | PLUG BLIND | 5 | | | | 0.005 | 0.011 |
| 004 | 15221-03490 | CAP SEALING | 3 | | | | 0.02 | 0.044 |
| 005 | 06311-75060 | PLUG EXPANSION | 1 | | | | 0.046 | 0.1012 |
| 006 | 15451-96020 | PLUG | 4 | | | | 0.006 | 0.0132 |
| 007 | 15451-96030 | PLUG | 1 | | | | 0.015 | 0.033 |
| 008 | 15451-94930 | PIN PIPE | 1 | | | | 0.005 | 0.011 |
| 009 | 05012-00812 | PIN STRAIGHT | 2 | | | | 0.006 | 0.0132 |
| 010 | 05012-01016 | PIN STRAIGHT | 2 | | | | 0.01 | 0.022 |
| 011 | 15451-16410 | METAL CAMSHAFT | 1 | | | | 0 | 0 |
| 012 | 15451-16420 | METAL CAMSHAFT | 1 | | | | 0 | 0 |
| 013 | 15451-16430 | METAL CAMSHAFT | 1 | | | | 0 | 0 |
| 014 | 15451-24050 | ASSY SHAFT IDLE GEAR | 1 | | | | 0.42 | 0.924 |
| 015 | 99999-99999 | SHAFT IDLE GEAR | 1 | | | ORDER BY REF.No.014 | 0 | 0 |
| 016 | 15451-96850 | PLUG BLIND | 1 | | | | 0.002 | 0.0044 |
| 017 | 99999-99999 | BLANK | 0 | | | ORDER BY REF.No.001 | 0 | 0 |
| 018 | 99999-99999 | BLANK | 0 | | | ORDER BY REF.No.001 | 0 | 0 |
| 019 | 15451-04560 | BOLT BEARING CASE | 8 | | | | 0.185 | 0.407 |
| 020 | 15451-02310 | LINER CYLINDER | 3 | | | | 1.2 | 2.64 |
| 021 | 15451-04250 | PIPE JOINT | 1 | | | | 0.01 | 0.022 |
| 022 | 15451-96760 | O RING 2 | 1 | | | | 0.001 | 0.0022 |
| 023 | 15451-32290 | PIPE JOINT | 1 | | | | 0.061 | 0.1342 |
| 024 | 15451-73910 | COVER WATER | 1 | | | | 0.6 | 1.32 |
| 025 | 15451-73920 | GASKET WATER COVER | 1 | | | | 0 | 0 |
| 026 | 01053-50818 | BOLT | 6 | | | | 0.011 | 0.0242 |
| 027 | 04512-50080 | WASHER SPRING | 6 | | | | 0 | 0 |
| 028 | 14412-73110 | COCK DRAIN | 1 | | | | 0.09 | 0.198 |
| 029 | 34150-27580 | PLUG | 6 | | | | 0.001 | 0.0022 |
| 030 | 32210-27580 | PLUG BLIND | 6 | | | | 0.001 | 0.0022 |

CRANKCASE 2

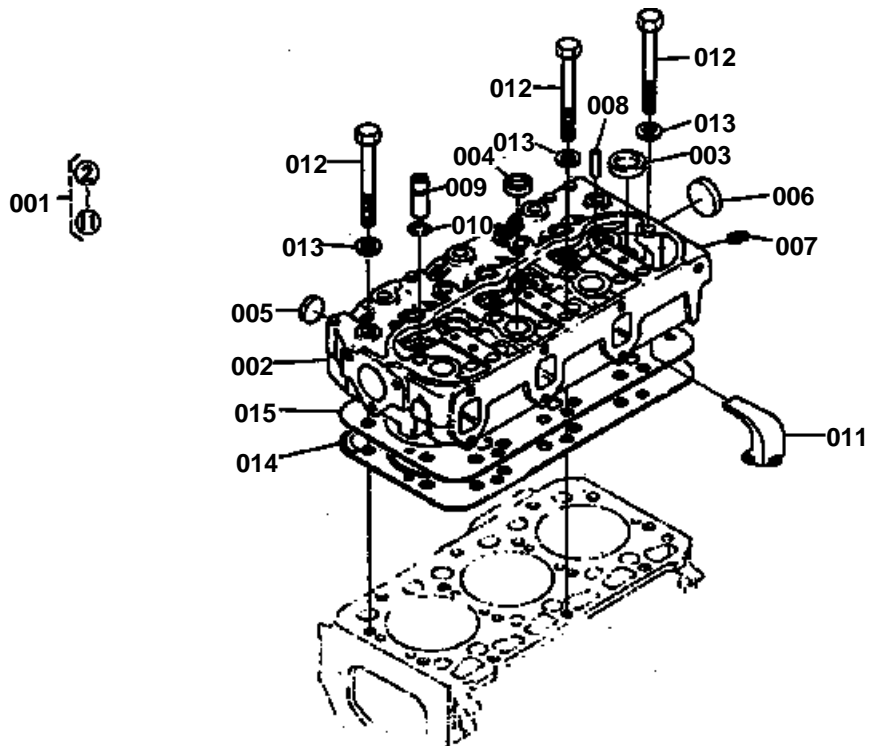


**CRANKCASE 2**

↔ Interchangeable; ≠ not interchangeable; ← new for old; → old for new

| REF.No | Part No. | Description | Q'ty | S.No. | I/C | REMARKS | Weight (kgf) | Weight (lb) |
|--------|-------------|-----------------|------|-------|-----|---------------------|--------------|-------------|
| 001 | 15351-01500 | ASSY OIL PAN | 1 | | | | 48 | 105.6 |
| 002 | 99999-99999 | BLANK | 0 | | | ORDER BY REF.No.001 | 0 | 0 |
| 003 | 15451-36420 | GUIDE OIL GAUGE | 1 | | | | 0.03 | 0.066 |
| 004 | 15351-01620 | GASKET OIL PAN | 1 | | | | 0.01 | 0.022 |
| 005 | 15351-01630 | GASKET OIL PAN | 1 | | | | 0.01 | 0.022 |
| 006 | 15451-01640 | GASKET OIL PAN | 1 | | | | 0.01 | 0.022 |
| 007 | 15451-01650 | GASKET OIL PAN | 1 | | | | 0.015 | 0.033 |
| 008 | 15451-91010 | BOLT | 3 | | | | 0.173 | 0.3806 |
| 009 | 15451-91020 | BOLT | 2 | | | | 0.116 | 0.2552 |
| 010 | 01076-51048 | BOLT | 8 | | | | 0.037 | 0.0814 |
| 011 | 01076-51038 | BOLT | 2 | | | | 0.035 | 0.077 |
| 012 | 04512-50100 | WASHER SPRING | 21 | | | | 0 | 0 |
| 013 | 15351-01670 | COVER OIL PAN | 1 | | | | 2.3 | 5.06 |
| 014 | 15351-01680 | GASKET | 1 | | | | 0.06 | 0.132 |
| 015 | 01053-50818 | BOLT | 14 | | | | 0.011 | 0.0242 |
| 016 | 04512-50080 | WASHER SPRING | 14 | | | | 0 | 0 |
| 017 | 15451-33750 | PLUG DRAIN | 1 | | | | 0 | 0 |
| 018 | 15451-96670 | GASKET | 1 | | | | 0.003 | 0.0066 |
| 019 | 15451-01750 | HOOK ENGINE | 2 | | | | 0.085 | 0.187 |
| 020 | 01073-51022 | BOLT | 1 | | | | 0.024 | 0.0528 |
| 021 | 01073-51030 | BOLT | 1 | | | | 0.028 | 0.0616 |
| 022 | 04512-50100 | WASHER SPRING | 2 | | | | 0 | 0 |
| 023 | 33300-90910 | PLUG BLIND | 2 | | | | 0.002 | 0.0044 |
| 024 | 01076-51042 | BOLT | 2 | | | | 0.035 | 0.077 |
| 025 | 15454-91510 | STUD 3 | 4 | | | | 0.037 | 0.0814 |
| 026 | 02076-50100 | NUT | 4 | | | | 0.006 | 0.0132 |

CYLINDER HEAD



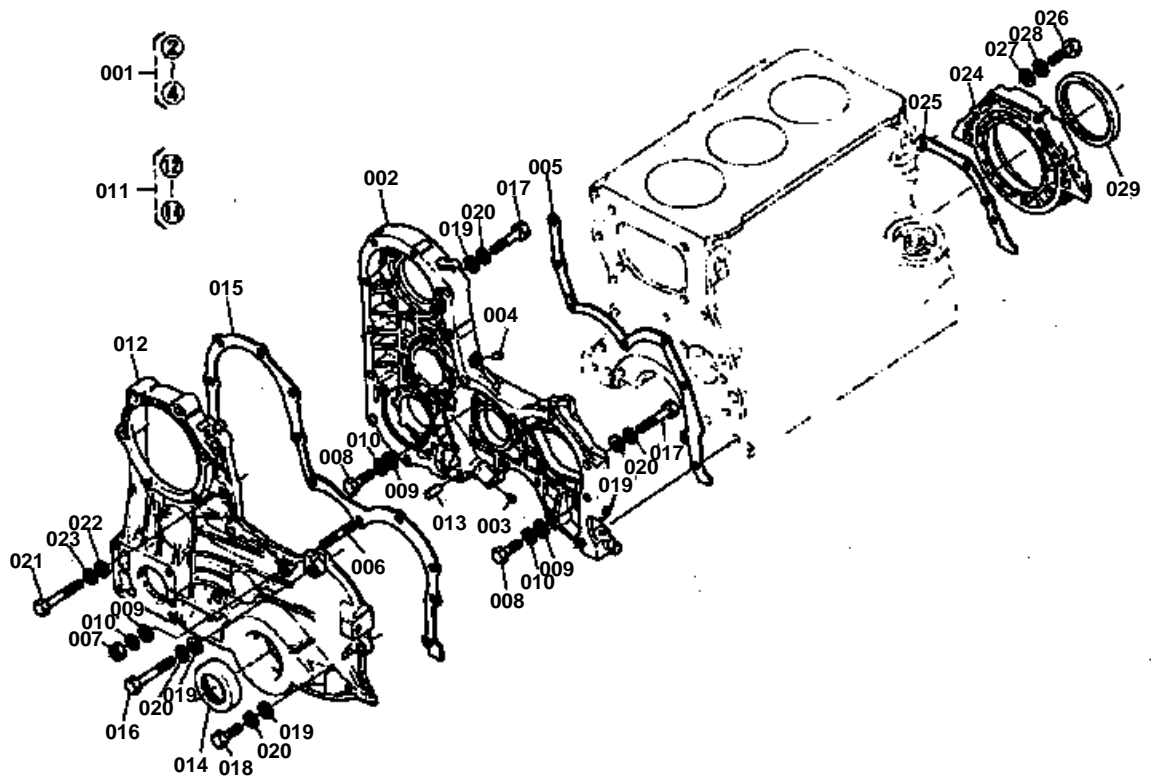


CYLINDER HEAD

↔ Interchangeable; ≠ not interchangeable; ← new for old; → old for new

| REF.No | Part No. | Description | Q'ty | S.No. | I/C | REMARKS | Weight (kgf) | Weight (lb) |
|--------|-------------|----------------------|------|-------|-----|---------------------|--------------|-------------|
| 001 | 15351-03040 | ASSY CYLINDER HEAD | 1 | | | | 28 | 61.6 |
| 002 | 99999-99999 | BLANK | 0 | | | ORDER BY REF.No.001 | 0 | 0 |
| 003 | 15241-96260 | CAP SEALING | 1 | | | | 0.01 | 0.022 |
| 004 | 15451-96270 | CAP SEALING | 3 | | | | 0.012 | 0.0264 |
| 005 | 15221-03380 | CAP SEALING | 3 | | | | 0.017 | 0.0374 |
| 006 | 15221-03390 | CAP SEALING | 1 | | | | 0.03 | 0.066 |
| 007 | 15451-96020 | PLUG | 1 | | | | 0.006 | 0.0132 |
| 008 | 15451-94520 | PIN STRAIGHT | 3 | | | | 0.001 | 0.0022 |
| 009 | 15451-13580 | GUIDE VALVE | 6 | | | | 0 | 0 |
| 010 | 15451-96910 | CIR-CLIP | 6 | | | | 0.002 | 0.0044 |
| 011 | 15451-73940 | GUIDE WATER | 3 | | | | 0.032 | 0.0704 |
| 012 | 15451-03450 | BOLT CYLINDER HEAD | 14 | | | | 0.119 | 0.2618 |
| 013 | 15451-03540 | WASHER CYL.HEAD | 14 | | | | 0.003 | 0.0066 |
| 014 | 15351-03310 | GASKET CYLINDER HEAD | 1 | | | | 0 | 0 |
| 015 | 15351-03322 | SHIM CYL.HEAD GASKET | 1 | | | | 0 | 0 |

GEAR CASE

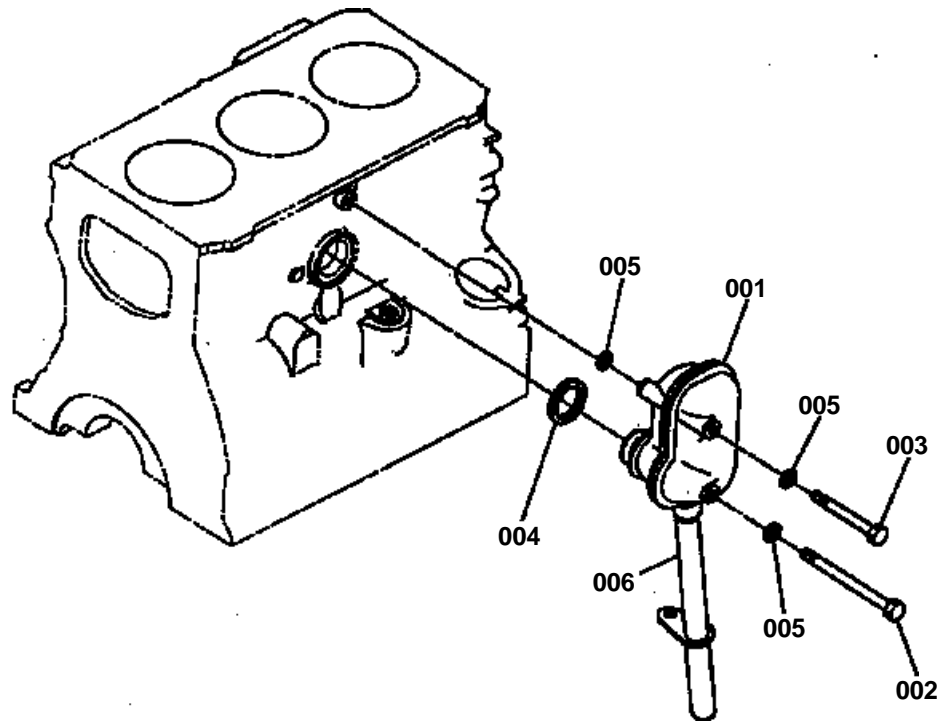


**GEAR CASE**

↔ Interchangeable; ≠ not interchangeable; ← new for old; → old for new

| REF.No | Part No. | Description | Q'ty | S.No. | I/C | REMARKS | Weight (kgf) | Weight (lb) |
|--------|-------------|--------------------|------|-------|-----|---------------------|--------------|-------------|
| 001 | 15451-04020 | CASE GEAR | 1 | | | | 2.78 | 6.116 |
| 002 | 99999-99999 | BLANK | 0 | | | ORDER BY REF.No.001 | 0 | 0 |
| 003 | 15451-04190 | NOZZLE | 1 | | | | 0.002 | 0.0044 |
| 004 | 15451-96870 | PLUG BLIND | 1 | | | | 0.001 | 0.0022 |
| 005 | 15451-04130 | GASKET GEAR CASE | 1 | | | | 0 | 0 |
| 006 | 01513-50855 | STUD | 1 | | | | 0.022 | 0.0484 |
| 007 | 02056-50080 | NUT | 1 | | | | 0.005 | 0.011 |
| 008 | 01053-50825 | BOLT | 3 | | | | 0.014 | 0.0308 |
| 009 | 04012-50080 | WASHER PLAIN | 4 | | | | 0.001 | 0.0022 |
| 010 | 04512-50080 | WASHER SPRING | 4 | | | | 0 | 0 |
| 011 | 15451-04030 | COVER GEAR CASE | 1 | | | | 0 | 0 |
| 012 | 99999-99999 | BLANK | 0 | | | ORDER BY REF.No.011 | 0 | 0 |
| 013 | 05012-01016 | PIN STRAIGHT | 2 | | | | 0.01 | 0.022 |
| 014 | 15451-04460 | SEAL OIL | 1 | | | | 0.033 | 0.0726 |
| 015 | 15451-04170 | GASKET G/C COVER | 1 | | | | 0 | 0 |
| 016 | 01053-50870 | BOLT | 6 | | | | 0.027 | 0.0594 |
| 017 | 01053-50850 | BOLT | 4 | | | | 0.021 | 0.0462 |
| 018 | 01053-50830 | BOLT | 1 | | | | 0.015 | 0.033 |
| 019 | 04012-50080 | WASHER PLAIN | 11 | | | | 0.001 | 0.0022 |
| 020 | 04512-50080 | WASHER SPRING | 11 | | | | 0 | 0 |
| 021 | 01073-51070 | BOLT | 1 | | | | 0.05 | 0.11 |
| 022 | 04013-50100 | WASHER PLAIN | 1 | | | | 0 | 0 |
| 023 | 04512-50100 | WASHER SPRING | 1 | | | | 0 | 0 |
| 024 | 15351-04810 | COVER BEARING CASE | 1 | | | | 0 | 0 |
| 025 | 15451-04820 | GASKET BRG.CASE C. | 1 | | | | 0 | 0 |
| 026 | 01053-50832 | BOLT | 4 | | | | 0.015 | 0.033 |
| 027 | 04012-50080 | WASHER PLAIN | 4 | | | | 0.001 | 0.0022 |
| 028 | 04012-50080 | WASHER SPRING | 4 | | | | 0.001 | 0.0022 |
| 029 | 15351-04460 | SEAL OIL | 1 | | | | 0.112 | 0.2464 |

BREATHER



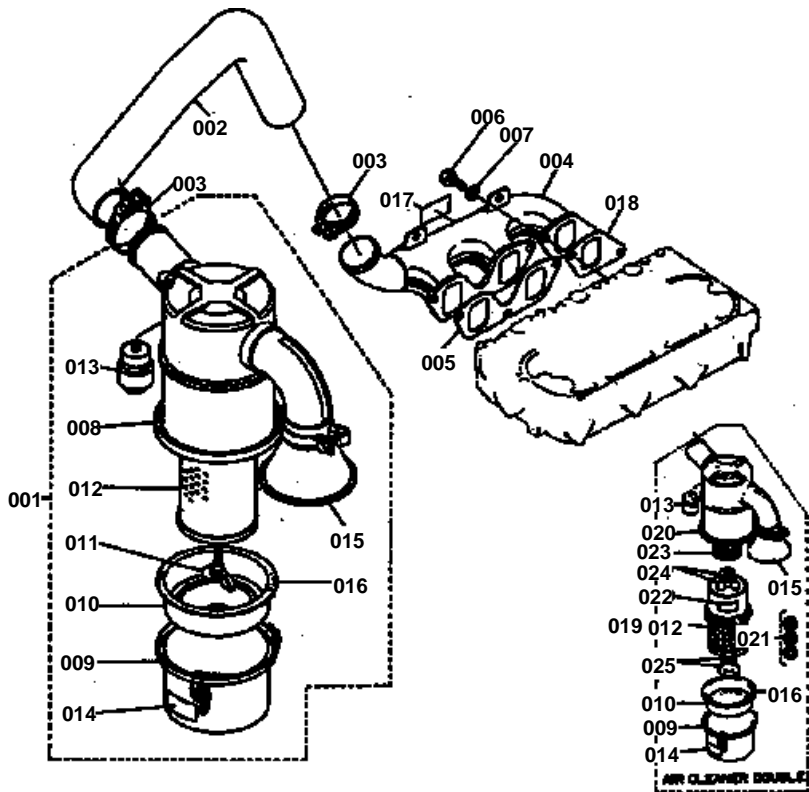


BREATHER

↔ Interchangeable; ≠ not interchangeable; ← new for old; → old for new

| REF.No | Part No. | Description | Q'ty | S.No. | I/C | REMARKS | Weight (kgf) | Weight (lb) |
|--------|-------------|---------------|------|-------|-----|---------|--------------|-------------|
| 001 | 15451-05020 | ASSY BREATHER | 1 | | | | 0.87 | 1.914 |
| 002 | 15451-91040 | BOLT | 1 | | | | 0.044 | 0.0968 |
| 003 | 01053-50885 | BOLT | 1 | | | | 0.031 | 0.0682 |
| 004 | 15451-05770 | GASKET | 1 | | | | 0.003 | 0.0066 |
| 005 | 04717-00800 | WASHER SEAL | 3 | | | | 0.001 | 0.0022 |
| 006 | 15451-05510 | PIPE BREATHER | 1 | | | | 0.23 | 0.506 |

AIR CLEANER

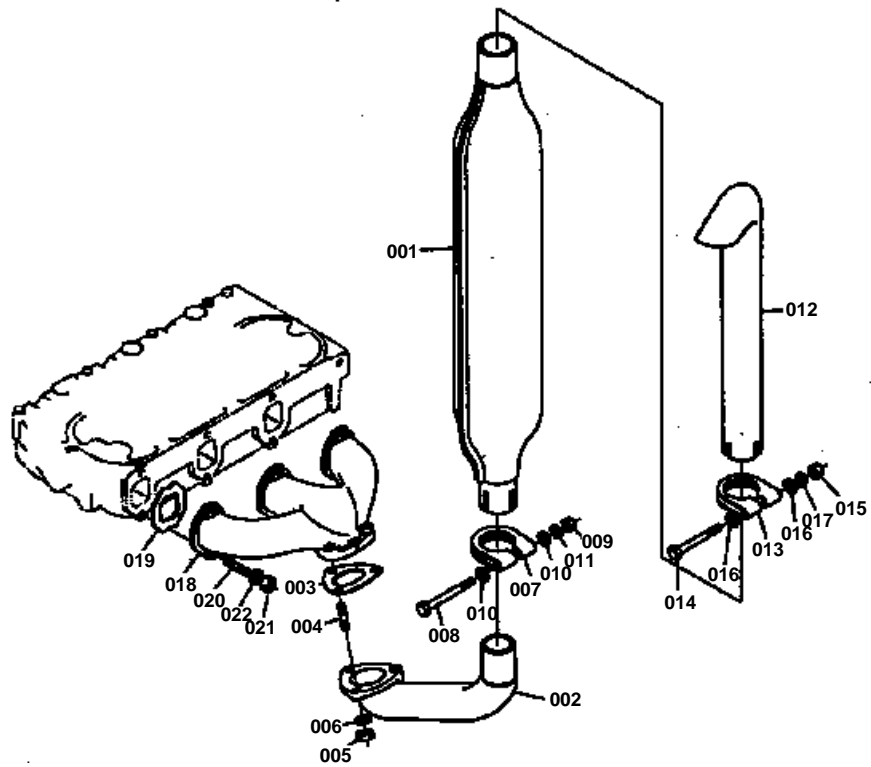


**AIR CLEANER**

↔ Interchangeable; ≠ not interchangeable; ← new for old; → old for new

| REF.No | Part No. | Description | Q'ty | S.No. | I/C | REMARKS | Weight (kgf) | Weight (lb) |
|--------|-------------|----------------------|------|-------|-----|---------|--------------|-------------|
| 001 | 15451-11013 | ASSY CLEANER AIR | 1 | | | | 4.6 | 10.12 |
| 002 | 15351-11620 | PIPE INLET | 1 | | | | 0.82 | 1.804 |
| 003 | 15701-11722 | BAND PIPE | 2 | | | | 0.04 | 0.088 |
| 004 | 15351-11760 | MANIFOLD INLET | 1 | | | | 1.96 | 4.312 |
| 005 | 15451-11820 | GASKET IN-MANIFOLD | 1 | | | | 0.006 | 0.0132 |
| 006 | 01053-50822 | BOLT | 4 | | | | 0.013 | 0.0286 |
| 007 | 04512-50080 | WASHER SPRING | 4 | | | | 0 | 0 |
| 008 | 15451-11150 | BODY AIR CLEANER | 1 | | | | 2.35 | 5.17 |
| 009 | 15451-11160 | COVER AIR CLEANER | 1 | | | | 0.78 | 1.716 |
| 010 | 15451-11410 | COVER BAFFLE | 1 | | | | 0.34 | 0.748 |
| 011 | 15451-91810 | BOLT WING | 1 | | | | 0.06 | 0.132 |
| 012 | 15451-11080 | ASSY ELEMENT AIR CLE | 1 | | | | 1 | 2.2 |
| 013 | 15451-11090 | ASSY INDICATER | 1 | | | | 0.04 | 0.088 |
| 014 | 15221-87450 | LABEL AIR CLEANER | 1 | | | | 0.001 | 0.0022 |
| 015 | 15451-11120 | PIPE INLET | 1 | | | | 0.27 | 0.594 |
| 016 | 15451-11170 | GASKET | 1 | | | | 0.05 | 0.11 |
| 017 | 15701-93470 | LABEL | 1 | | | | 0.002 | 0.0044 |
| 018 | 15351-11820 | GASKET IN-MANIFOLD | 1 | | | | 0.001 | 0.0022 |
| 019 | 15000-36990 | AIR CLEANER DOUBLE | 1 | | | | 5.6 | 12.32 |
| 020 | 15000-37270 | BODY AIR CLEANER | 1 | | | | 0 | 0 |
| 021 | 15000-37070 | ASSY ELEMENT AIR CLE | 1 | | | | 0.98 | 2.156 |
| 022 | 15227-87480 | LABEL | 1 | | | | 0.004 | 0.0088 |
| 023 | 15000-37080 | ELEMENT AIR CLEANER | 1 | | | | 0.18 | 0.396 |
| 024 | 15000-37290 | NUT WING 1 | 1 | | | | 0 | 0 |
| 025 | 15000-37310 | NUT WING 2 | 1 | | | | 0 | 0 |

MUFFLER

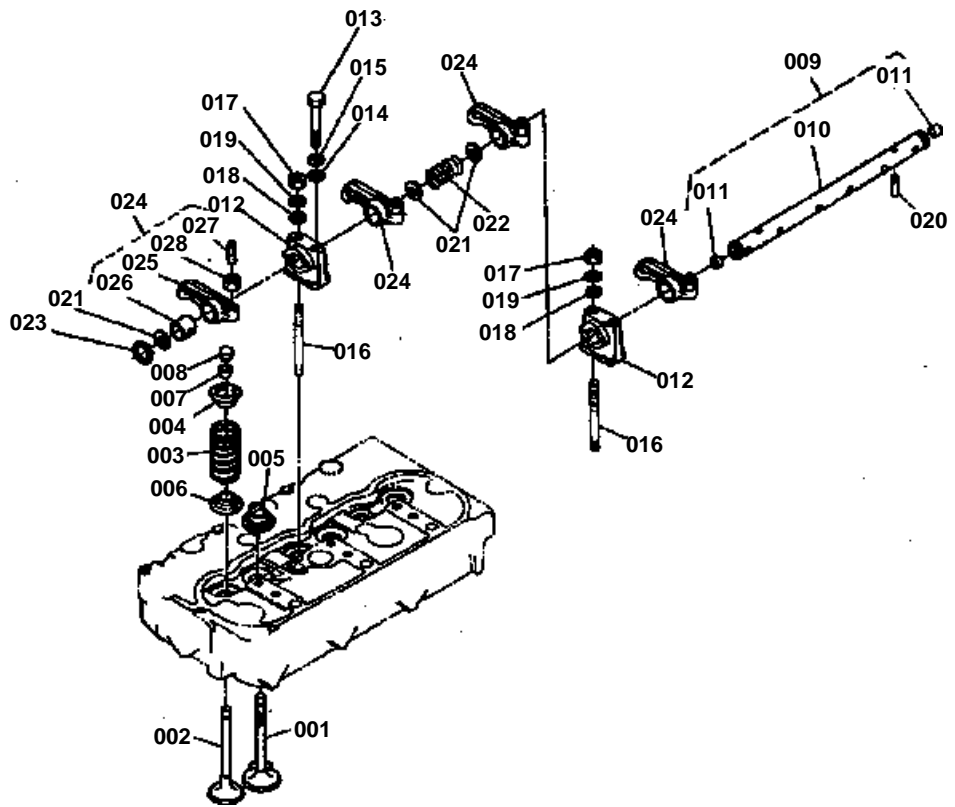


**MUFFLER**

↔ Interchangeable; ≠ not interchangeable; ← new for old; → old for new

| REF.No | Part No. | Description | Q'ty | S.No. | I/C | REMARKS | Weight (kgf) | Weight (lb) |
|--------|-------------|----------------------|------|-------|-----|---------|--------------|-------------|
| 001 | 15451-12110 | MUFFLER | 1 | | | | 4.4 | 9.68 |
| 002 | 15701-12320 | FLANGE MUFFLER | 1 | | | | 1.9 | 4.18 |
| 003 | 15701-12370 | GASKET MUFFLER FLANG | 1 | | | | 0 | 0 |
| 004 | 01518-50835 | STUD | 3 | | | | 0.017 | 0.0374 |
| 005 | 15451-92020 | NUT | 3 | | | | 0.01 | 0.022 |
| 006 | 04512-50080 | WASHER SPRING | 3 | | | | 0 | 0 |
| 007 | 15101-12130 | BAND MUFFLER | 1 | | | | 0.125 | 0.275 |
| 008 | 01053-50885 | BOLT | 1 | | | | 0.031 | 0.0682 |
| 009 | 02056-50080 | NUT | 1 | | | | 0.005 | 0.011 |
| 010 | 04012-50080 | WASHER PLAIN | 2 | | | | 0.001 | 0.0022 |
| 011 | 04512-50080 | WASHER SPRING | 1 | | | | 0 | 0 |
| 012 | 15451-12410 | PIPE MUFFLER | 1 | | | | 0 | 0 |
| 013 | 15001-12130 | BAND PIPE | 1 | | | | 0.048 | 0.1056 |
| 014 | 01053-50880 | BOLT | 1 | | | | 0.03 | 0.066 |
| 015 | 02056-50080 | NUT | 1 | | | | 0.005 | 0.011 |
| 016 | 04012-50080 | WASHER PLAIN | 2 | | | | 0.001 | 0.0022 |
| 017 | 04512-50080 | WASHER SPRING | 1 | | | | 0 | 0 |
| 018 | 15351-12310 | MANIFOLD EXHAUST | 1 | | | | 2.75 | 6.05 |
| 019 | 15811-12360 | GASKET EX-MANIFOLD | 3 | | | | 0 | 0 |
| 020 | 01513-50828 | STUD | 6 | | | | 0.013 | 0.0286 |
| 021 | 02056-50080 | NUT | 6 | | | | 0.005 | 0.011 |
| 022 | 04512-50080 | WASHER SPRING | 6 | | | | 0 | 0 |

VALVE AND ROCKER ARM



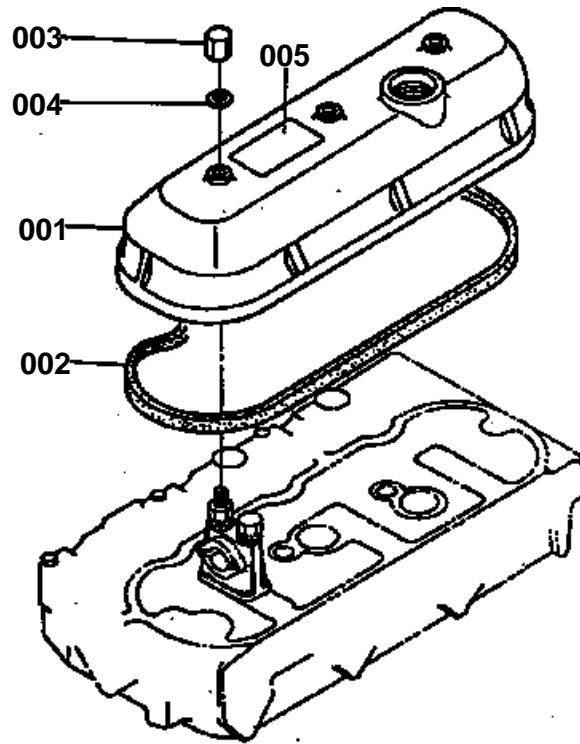


VALVE AND ROCKER ARM

↔ Interchangeable; ≠ not interchangeable; ← new for old; → old for new

| REF.No | Part No. | Description | Q'ty | S.No. | I/C | REMARKS | Weight (kgf) | Weight (lb) |
|--------|-------------|----------------------|------|-------|-----|---------------------|--------------|-------------|
| 001 | 15451-13110 | VALVE INLET | 3 | | | | 0.145 | 0.319 |
| 002 | 15451-13120 | VALVE EXHAUST | 3 | | | | 0 | 0 |
| 003 | 15451-13240 | SPRING VALVE | 6 | | | | 0.07 | 0.154 |
| 004 | 15451-13330 | RETAINER VALVE SPRIN | 6 | | | | 0.035 | 0.077 |
| 005 | 15451-13410 | WASHER INLET VALVE | 3 | | | | 0.035 | 0.077 |
| 006 | 15451-13420 | WASHER EXHAUST VALVE | 3 | | | | 0.02 | 0.044 |
| 007 | 15451-13360 | COLLET VALVE SPRING | 12 | | | | 0.002 | 0.0044 |
| 008 | 15451-13280 | CAP VALVE | 6 | | | | 0.007 | 0.0154 |
| 009 | 15351-14050 | ASSY SHAFT ROCKER AR | 1 | | | | 0 | 0 |
| 010 | 99999-99999 | BLANK | 0 | | | ORDER BY REF.No.009 | 0 | 0 |
| 011 | 15451-96300 | CAP SEALING | 2 | | | | 0.002 | 0.0044 |
| 012 | 15451-14350 | BRACKET ROCKER ARM | 3 | | | | 0.104 | 0.2288 |
| 013 | 01053-50865 | BOLT | 3 | | | | 0.025 | 0.055 |
| 014 | 04012-50080 | WASHER PLAIN | 3 | | | | 0.001 | 0.0022 |
| 015 | 04512-50080 | WASHER SPRING | 3 | | | | 0 | 0 |
| 016 | 15451-91510 | STUD | 3 | | | | 0.033 | 0.0726 |
| 017 | 02056-50080 | NUT | 3 | | | | 0.005 | 0.011 |
| 018 | 04012-50080 | WASHER PLAIN | 3 | | | | 0.001 | 0.0022 |
| 019 | 04512-50080 | WASHER SPRING | 3 | | | | 0 | 0 |
| 020 | 15451-14420 | SCREW SET | 1 | | | | 0.005 | 0.011 |
| 021 | 15451-14430 | WASHER R.ARM SHAFT | 6 | | | | 0.002 | 0.0044 |
| 022 | 15451-14310 | SPRING ROCKER ARM | 2 | | | | 0.006 | 0.0132 |
| 023 | 04612-00180 | CIR-CLIP EXTERNAL | 2 | | | | 0.001 | 0.0022 |
| 024 | 15451-14030 | ASSY ROCKER ARM | 6 | | | | 0.16 | 0.352 |
| 025 | 99999-99999 | BLANK | 0 | | | ORDER BY REF.No.024 | 0 | 0 |
| 026 | 15451-14980 | BUSH ROCKER ARM | 1 | | | | 0.012 | 0.0264 |
| 027 | 15451-14230 | SCREW ADJUSTING | 1 | | | | 0.008 | 0.0176 |
| 028 | 15451-92010 | NUT | 1 | | | | 0.005 | 0.011 |

HEAD COVER



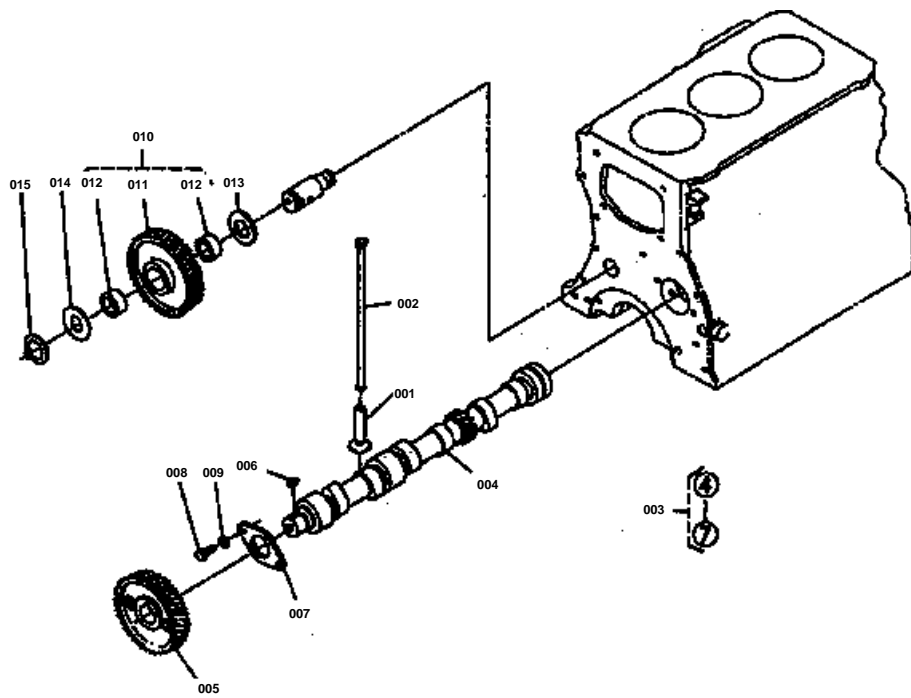


HEAD COVER

↔ Interchangeable; ≠ not interchangeable; ← new for old; → old for new

| REF.No | Part No. | Description | Q'ty | S.No. | I/C | REMARKS | Weight (kgf) | Weight (lb) |
|--------|-------------|---------------------|------|-------|-----|---------|--------------|-------------|
| 001 | 15351-14510 | COVER CYLINDER HEAD | 1 | | | | 1.35 | 2.97 |
| 002 | 15351-14520 | GASKET HEAD COVER | 1 | | | | 0.07 | 0.154 |
| 003 | 15451-92330 | NUT CAP | 3 | | | | 0.015 | 0.033 |
| 004 | 15451-96660 | GASKET | 3 | | | | 0.004 | 0.0088 |
| 005 | 15453-88310 | LABEL | 1 | | | | 0.001 | 0.0022 |

CAMSHAFT

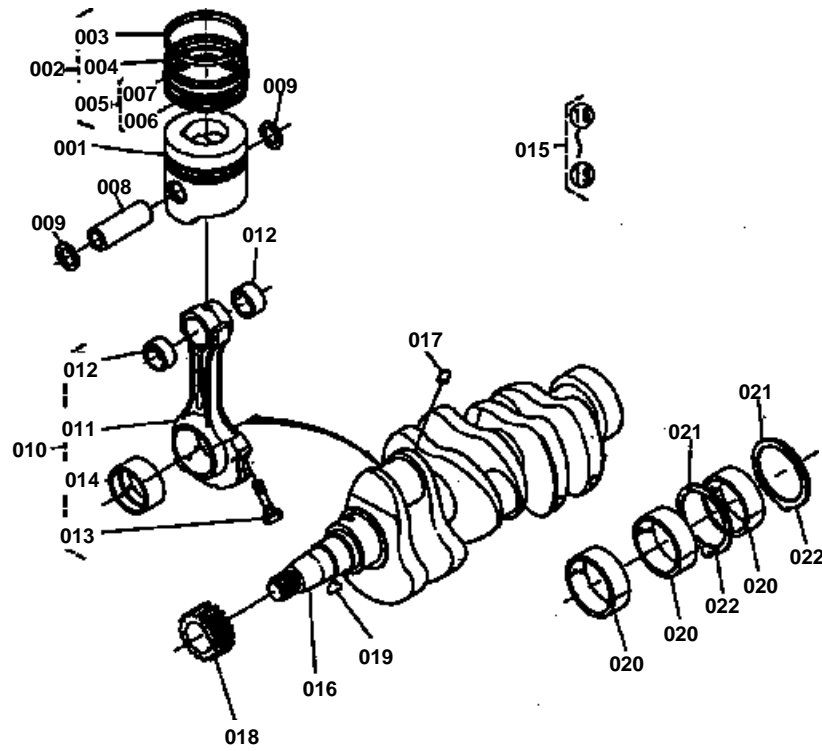


**CAMSHAFT**

↔ Interchangeable; ≠ not interchangeable; ← new for old; → old for new

| REF.No | Part No. | Description | Q'ty | S.No. | I/C | REMARKS | Weight (kgf) | Weight (lb) |
|--------|-------------|-------------------|------|-------|-----|---------------------|--------------|-------------|
| 001 | 15451-15550 | TAPPET | 6 | | | | 0.085 | 0.187 |
| 002 | 15451-15110 | ROD PUSH | 6 | | | | 0.092 | 0.2024 |
| 003 | 15351-16010 | ASSY CAMSHAFT | 1 | | | | 5 | 11 |
| 004 | 15351-16150 | CAMSHAFT | 1 | | | | 3.7 | 8.14 |
| 005 | 15451-16510 | GEAR CAMSHAFT | 1 | | | | 1.2 | 2.64 |
| 006 | 05811-00522 | KEY WOODRUFF | 1 | | | | 0.005 | 0.011 |
| 007 | 15451-16270 | STOPPER CAMSHAFT | 1 | | | | 0.075 | 0.165 |
| 008 | 01053-50820 | BOLT | 2 | | | | 0.012 | 0.0264 |
| 009 | 04512-50080 | WASHER SPRING | 2 | | | | 0 | 0 |
| 010 | 15451-24010 | ASSY GEAR IDLE | 1 | | | | 1.3 | 2.86 |
| 011 | 99999-99999 | BLANK | 0 | | | ORDER BY REF.No.010 | 0 | 0 |
| 012 | 15451-24980 | BUSH | 2 | | | | 0 | 0 |
| 013 | 15451-24360 | COLLAR | 1 | | | | 0.015 | 0.033 |
| 014 | 15451-24370 | COLLAR | 1 | | | | 0.03 | 0.066 |
| 015 | 15451-95390 | CIR-CLIP EXTERNAL | 1 | | | | 0.007 | 0.0154 |

PISTON AND CRANKSHAFT



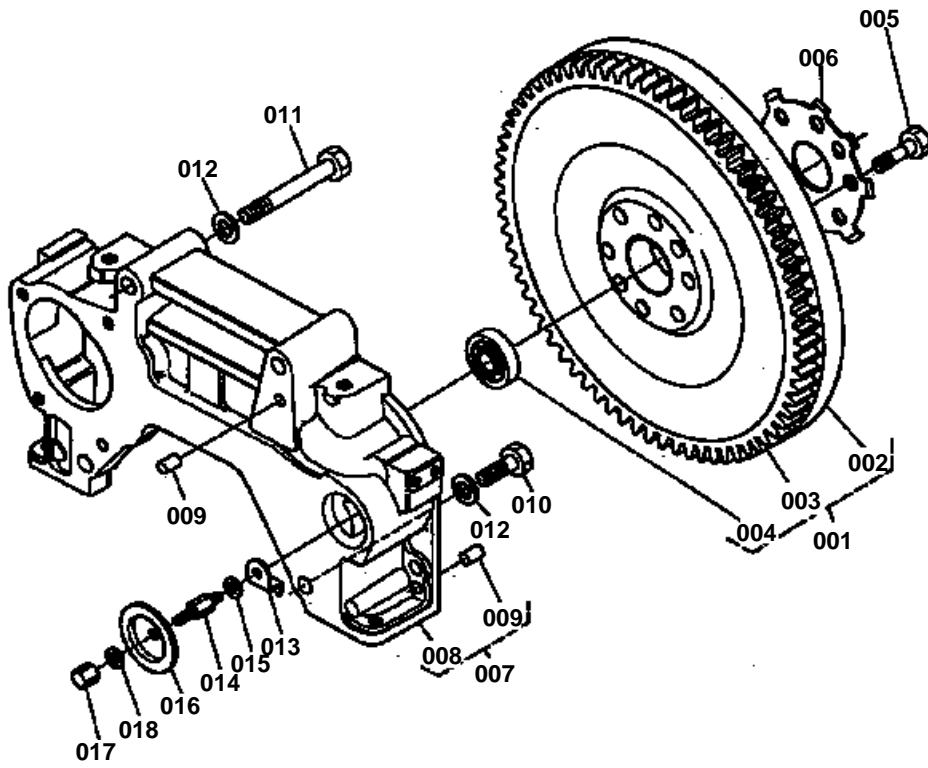


PISTON AND CRANKSHAFT

↔ Interchangeable; ≠ not interchangeable; ← new for old; → old for new

| REF.No | Part No. | Description | Q'ty | S.No. | I/C | REMARKS | Weight (kgf) | Weight (lb) |
|--------|-------------|---------------------|------|-------|-----|---------------------|--------------|-------------|
| 001 | 15451-21110 | PISTON | 3 | | | STD | 1.2 | 2.64 |
| 001 | 15451-21900 | PISTON | 3 | | | +0.2 | 1.2 | 2.64 |
| 001 | 15451-21910 | PISTON | 3 | | | +0.4 | 1.3 | 2.86 |
| 001 | 15451-21920 | PISTON | 3 | | | +0.6 | 1.4 | 3.08 |
| 002 | 15451-21050 | ASSY PISTON RING | 3 | | | STD | 0.1 | 0.22 |
| 002 | 15451-21090 | ASSY PISTON RING | 3 | | | +0.2 | 0.1 | 0.22 |
| 002 | 15451-21100 | ASSY PISTON RING | 3 | | | +0.4 | 0.1 | 0.22 |
| 002 | 15451-21200 | ASSY PISTON RING | 3 | | | +0.6 | 0.1 | 0.22 |
| 003 | 99999-99999 | COMPRESSION RING | 1 | | | ORDER BY REF.No.002 | 0 | 0 |
| 004 | 99999-99999 | COMPRESSION RING | 1 | | | ORDER BY REF.No.002 | 0 | 0 |
| 005 | 99999-99999 | ASSY OIL RING | 1 | | | ORDER BY REF.No.002 | 0 | 0 |
| 006 | 99999-99999 | OIL RING | 1 | | | ORDER BY REF.No.002 | 0 | 0 |
| 007 | 99999-99999 | EXPANDER OIL RING | 1 | | | ORDER BY REF.No.002 | 0 | 0 |
| 008 | 15451-21310 | PISTON PIN | 3 | | | | 0.45 | 0.99 |
| 009 | 04611-00340 | CIR-CLIP INTERNAL | 6 | | | | 0.003 | 0.0066 |
| 010 | 15451-22010 | ASSY CONNECTING ROD | 3 | | | | 2.1 | 4.62 |
| 011 | 99999-99999 | BLANK | 0 | | | ORDER BY REF.No.010 | 0 | 0 |
| 012 | 15451-21980 | BUSH PISTON PIN | 2 | | | | 0.031 | 0.0682 |
| 013 | 15451-22140 | BOLT CONNECTING ROD | 2 | | | | 0.062 | 0.1364 |
| 014 | 15451-22310 | METAL CRANKPIN | 2 | | | STD | 0.1 | 0.22 |
| 014 | 15451-22970 | METAL CRANKPIN | 2 | | | -0.25 | 0.1 | 0.22 |
| 014 | 15451-22980 | METAL CRANKPIN | 2 | | | -0.50 | 0.115 | 0.253 |
| 014 | 15451-22990 | METAL CRANKPIN | 2 | | | -0.75 | 0.12 | 0.264 |
| 015 | 15351-23010 | ASSY CRANKSHAFT | 1 | | | | 33 | 72.6 |
| 016 | 99999-99999 | BLANK | 0 | | | ORDER BY REF.No.015 | 0 | 0 |
| 017 | 15451-96850 | PLUG BLIND | 3 | | | | 0.002 | 0.0044 |
| 018 | 15451-24110 | GEAR CRANKSHAFT | 1 | | | | 0.39 | 0.858 |
| 019 | 15451-95230 | KEY WOODRUFF | 1 | | | | 0.001 | 0.0022 |
| 020 | 15451-23470 | METAL CRANKSHAFT | 8 | | | STD | 0 | 0 |
| 020 | 15451-23970 | METAL CRANKSHAFT | 8 | | | -0.25 | 0 | 0 |
| 020 | 15451-23920 | METAL CRANKSHAFT | 8 | | | -0.50 | 0 | 0 |
| 020 | 15451-23930 | METAL CRANKSHAFT | 8 | | | -0.75 | 0 | 0 |
| 021 | 15451-23530 | METAL SIDE | 2 | | | STD | 0 | 0 |
| 021 | 15451-23950 | METAL SIDE | 2 | | | +0.125 | 0 | 0 |
| 022 | 15451-23540 | METAL SIDE | 2 | | | STD | 0 | 0 |
| 022 | 15451-23970 | METAL SIDE | 2 | | | +0.125 | 0 | 0 |

FLYWHEEL



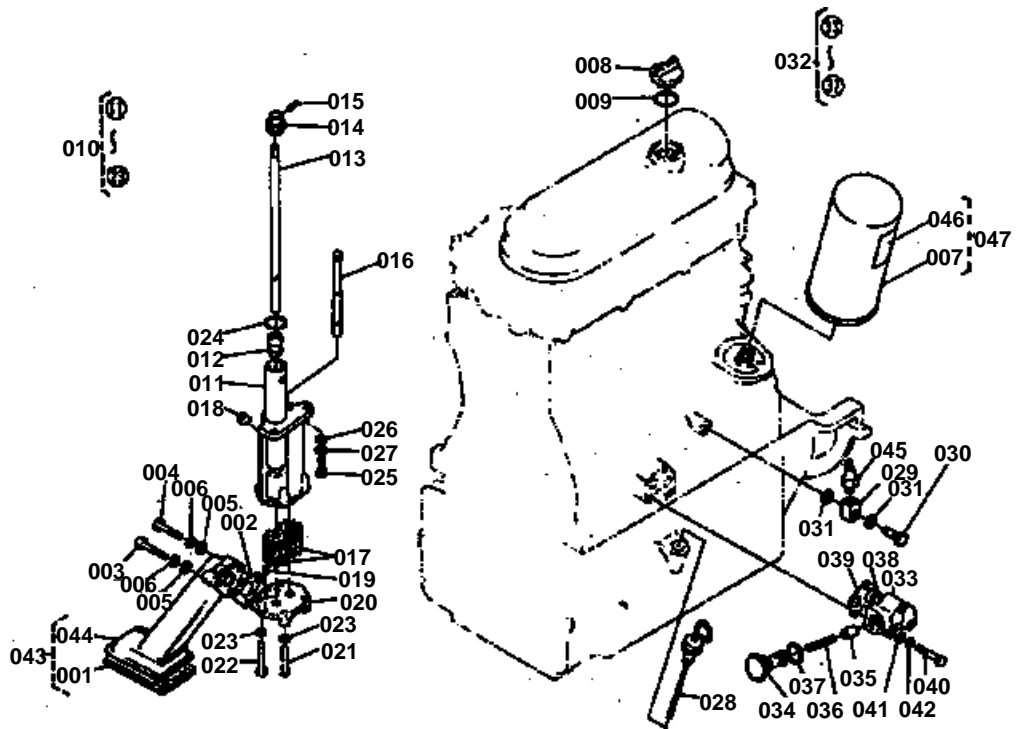


FLYWHEEL

↔ Interchangeable; ≠ not interchangeable; ← new for old; → old for new

| REF.No | Part No. | Description | Q'ty | S.No. | I/C | REMARKS | Weight (kgf) | Weight (lb) |
|--------|-------------|-----------------------|------|-------|-----|---------------------|--------------|-------------|
| 001 | 15351-25010 | ASSY FLYWHEEL | 1 | | | | 0 | 0 |
| 002 | 99999-99999 | BLANK | 0 | | | ORDER BY REF.No.001 | 0 | 0 |
| 003 | 15601-63820 | GEAR RING | 1 | | | | 0 | 0 |
| 004 | 08141-06303 | BEARING BALL | 1 | | | | 0.108 | 0.2376 |
| 005 | 15451-25160 | BOLT FLYWHEEL | 8 | | | | 0.05 | 0.11 |
| 006 | 15351-25170 | WASHER FLYWHEEL | 1 | | | | 0.07 | 0.154 |
| 007 | 15451-04600 | ASSY HOUSING FLYWHEEL | 1 | | | | 15.4 | 33.88 |
| 008 | 99999-99999 | BLANK | 0 | | | ORDER BY REF.No.007 | 0 | 0 |
| 009 | 05012-01016 | PIN STRAIGHT | 4 | | | | 0.01 | 0.022 |
| 010 | 01073-51435 | BOLT | 2 | | | | 0.063 | 0.1386 |
| 011 | 01073-51400 | BOLT | 2 | | | | 0.13 | 0.286 |
| 012 | 04512-50140 | WASHER SPRING | 4 | | | | 0 | 0 |
| 013 | 15451-04670 | PLATE | 1 | | | | 0.015 | 0.033 |
| 014 | 15451-91500 | STUD | 1 | | | | 0.024 | 0.0528 |
| 015 | 04512-50080 | WASHER SPRING | 1 | | | | 0 | 0 |
| 016 | 15451-04680 | COVER | 1 | | | | 0.076 | 0.1672 |
| 017 | 15451-92330 | NUT CAP | 1 | | | | 0.015 | 0.033 |
| 018 | 15451-96660 | GASKET | 1 | | | | 0.004 | 0.0088 |

OIL PUMP

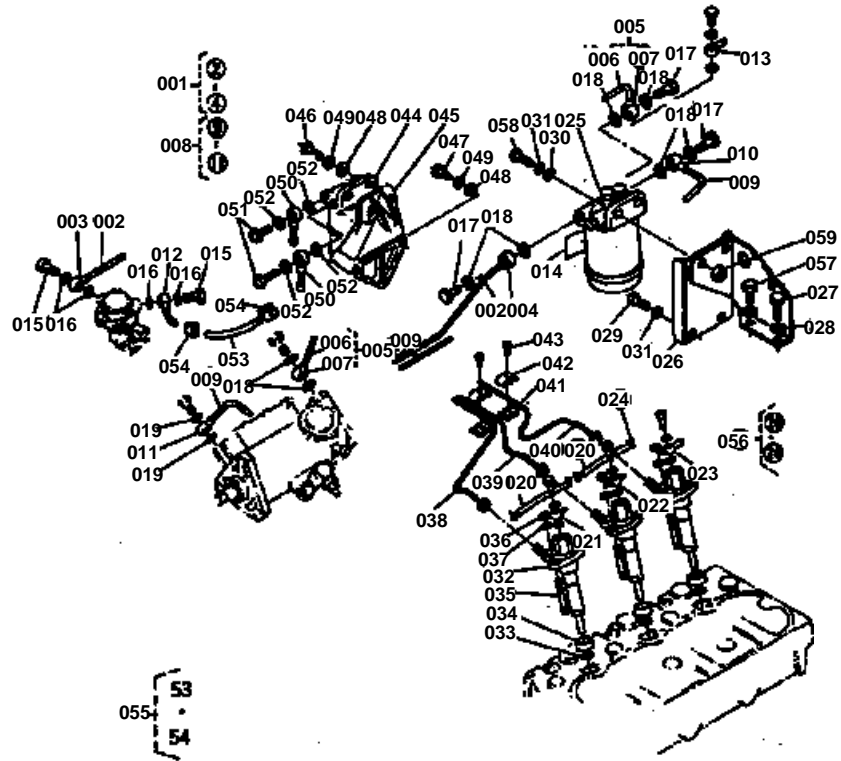


**OIL PUMP**

↔ Interchangeable; ≠ not interchangeable; ← new for old; → old for new

| REF.No | Part No. | Description | Q'ty | S.No. | I/C | REMARKS | Weight (kgf) | Weight (lb) |
|--------|-------------|----------------------|------|-------|-----|---------------------|--------------|-------------|
| 001 | 15351-32110 | FILTER OIL | 1 | | | | 0.02 | 0.044 |
| 002 | 15451-32270 | GASKET OIL FILTER | 1 | | | | 0 | 0 |
| 003 | 01053-50855 | BOLT | 1 | | | | 0.022 | 0.0484 |
| 004 | 01053-50840 | BOLT | 2 | | | | 0.018 | 0.0396 |
| 005 | 04012-50080 | WASHER PLAIN | 3 | | | | 0.001 | 0.0022 |
| 006 | 04512-50080 | WASHER SPRING | 3 | | | | 0 | 0 |
| 007 | 15451-32430 | CARTRIDGE OIL FILTER | 1 | | | | 0 | 0 |
| 008 | 15221-33140 | PLUG OIL FILTER | 1 | | | | 0.038 | 0.0836 |
| 009 | 04811-50300 | O RING | 1 | | | | 0.001 | 0.0022 |
| 010 | 15451-35010 | ASSY PUMP OIL | 1 | | | | 0 | 0 |
| 011 | 99999-99999 | BLANK | 0 | | | ORDER BY REF.No.010 | 0 | 0 |
| 012 | 99999-99999 | BLANK | 0 | | | ORDER BY REF.No.010 | 0 | 0 |
| 013 | 99999-99999 | BLANK | 0 | | | ORDER BY REF.No.010 | 0 | 0 |
| 014 | 15401-35660 | GEAR OIL PUMP DRIVE | 1 | | | | 0.2 | 0.44 |
| 015 | 99999-99999 | BLANK | 0 | | | ORDER BY REF.No.010 | 0 | 0 |
| 016 | 99999-99999 | BLANK | 0 | | | ORDER BY REF.No.010 | 0 | 0 |
| 017 | 99999-99999 | BLANK | 0 | | | ORDER BY REF.No.010 | 0 | 0 |
| 018 | 15451-96010 | PLUG | 1 | | | | 0.01 | 0.022 |
| 019 | 05012-00610 | PIN | 1 | | | | 0.003 | 0.0066 |
| 020 | 99999-99999 | BLANK | 0 | | | ORDER BY REF.No.010 | 0 | 0 |
| 021 | 01053-50840 | BOLT | 2 | | | | 0.018 | 0.0396 |
| 022 | 01053-50850 | BOLT | 2 | | | | 0.021 | 0.0462 |
| 023 | 04512-50080 | WASHER SPRING | 4 | | | | 0 | 0 |
| 024 | 15451-96770 | O RING | 1 | | | | 0.001 | 0.0022 |
| 025 | 01053-50825 | BOLT | 2 | | | | 0.014 | 0.0308 |
| 026 | 04012-50080 | WASHER PLAIN | 2 | | | | 0.001 | 0.0022 |
| 027 | 04512-50080 | WASHER SPRING | 2 | | | | 0 | 0 |
| 028 | 15451-36050 | ASSY GAUGE OIL | 1 | | | | 0.04 | 0.088 |
| 029 | 33251-75060 | JOINT | 1 | | | | 0.074 | 0.1628 |
| 030 | 33251-75070 | BOLT | 1 | | | | 0.032 | 0.0704 |
| 031 | 04714-00120 | GASKET | 2 | | | | 0.001 | 0.0022 |
| 032 | 15451-36070 | VALVE RELIEF | 1 | | | | 0.33 | 0.726 |
| 033 | 99999-99999 | BLANK | 0 | | | ORDER BY REF.No.032 | 0 | 0 |
| 034 | 99999-99999 | BLANK | 0 | | | ORDER BY REF.No.032 | 0 | 0 |
| 035 | 15451-36920 | VALVE RELIEF | 1 | | | | 0.01 | 0.022 |
| 036 | 15451-36950 | SPRING | 1 | | | | 0.006 | 0.0132 |
| 037 | 15451-96700 | GASKET | 1 | | | | 0.004 | 0.0088 |
| 038 | 04811-00180 | O RING | 1 | | | | 0.001 | 0.0022 |
| 039 | 15451-96690 | GASKET | 1 | | | | 0 | 0 |
| 040 | 01053-50845 | BOLT | 3 | | | | 0.019 | 0.0418 |
| 041 | 04012-50080 | WASHER PLAIN | 3 | | | | 0.001 | 0.0022 |
| 042 | 04512-50080 | WASHER SPRING | 3 | | | | 0 | 0 |
| 043 | 15351-32010 | ASSY FILTER OIL | 1 | | | | 0.3 | 0.66 |
| 044 | 15351-32250 | CASE OIL FILTER | 1 | | | | 0.28 | 0.616 |
| 045 | 15231-39010 | SWITCH OIL | 1 | | | | 0 | 0 |
| 046 | 15453-88390 | LABEL | 1 | | | | 0.001 | 0.0022 |
| 047 | 15451-99170 | ASSY FILTER OIL | 1 | | | | 0 | 0 |

PIPE



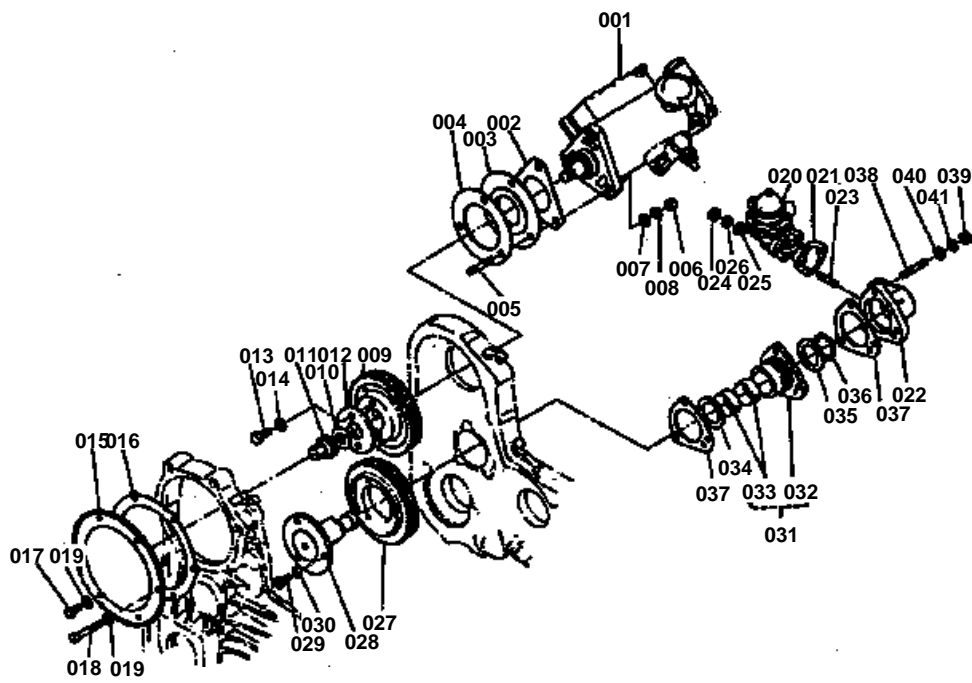


PIPE

↔ Interchangeable; ≠ not interchangeable; ← new for old; → old for new

| REF.No | Part No. | Description | Q'ty | S.No. | I/C | REMARKS | Weight (kgf) | Weight (lb) |
|--------|-------------|---------------------|------|-------|-----|---------------------|--------------|-------------|
| 001 | 15351-42080 | PIPE FUEL | 1 | | | | 0.11 | 0.242 |
| 002 | 99999-99999 | BLANK | 0 | | | ORDER BY REF.No.001 | 0 | 0 |
| 003 | 99999-99999 | BLANK | 0 | | | ORDER BY REF.No.001 | 0 | 0 |
| 004 | 99999-99999 | BLANK | 0 | | | ORDER BY REF.No.001 | 0 | 0 |
| 005 | 15351-42090 | PIPE FUEL | 1 | | | | 0 | 0 |
| 006 | 99999-99999 | BLANK | 0 | | | ORDER BY REF.No.005 | 0 | 0 |
| 007 | 99999-99999 | BLANK | 0 | | | ORDER BY REF.No.005 | 0 | 0 |
| 008 | 15351-42100 | PIPE FUEL | 1 | | | | 0.08 | 0.176 |
| 009 | 99999-99999 | BLANK | 0 | | | ORDER BY REF.No.008 | 0 | 0 |
| 010 | 99999-99999 | BLANK | 0 | | | ORDER BY REF.No.008 | 0 | 0 |
| 011 | 99999-99999 | BLANK | 0 | | | ORDER BY REF.No.008 | 0 | 0 |
| 012 | 15451-42180 | PIPE | 1 | | | | 0.02 | 0.044 |
| 013 | 15451-95680 | JOINT EYE | 1 | | | | 0.014 | 0.0308 |
| 014 | 15453-88430 | LABEL FUEL FILTER 1 | 1 | | | | 0.001 | 0.0022 |
| 015 | 15109-05580 | BOLT EYE JOINT | 2 | | | | 0.024 | 0.0528 |
| 016 | 15109-33660 | GASKET | 4 | | | | 0.001 | 0.0022 |
| 017 | 15451-95790 | BOLT EYE JOINT | 3 | | | | 0 | 0 |
| 018 | 17105-33680 | GASKET | 8 | | | | 0.002 | 0.0044 |
| 019 | 15109-14630 | GASKET | 4 | | | | 0.001 | 0.0022 |
| 020 | 15722-42510 | PIPE | 2 | | | | 0.005 | 0.011 |
| 021 | 15451-95690 | JOINT EYE | 1 | | | | 0.006 | 0.0132 |
| 022 | 15451-95700 | JOINT EYE | 1 | | | | 0.008 | 0.0176 |
| 023 | 15451-95710 | JOINT EYE | 1 | | | | 0.015 | 0.033 |
| 024 | 14971-42750 | CLIP PIPE | 4 | | | | 0.001 | 0.0022 |
| 025 | 15351-43010 | ASSY FILTER FUEL | 1 | | | | 0.59 | 1.298 |
| 026 | 15351-43430 | HOLDER FUEL FILTER | 1 | | | | 0 | 0 |
| 027 | 01053-50818 | BOLT | 1 | | | | 0.011 | 0.0242 |
| 028 | 04512-50080 | WASHER SPRING | 2 | | | | 0 | 0 |
| 029 | 01073-51020 | BOLT | 2 | | | | 0.024 | 0.0528 |
| 030 | 04013-50100 | WASHER PLAIN | 2 | | | | 0 | 0 |
| 031 | 04512-50100 | WASHER SPRING | 4 | | | | 0 | 0 |
| 032 | 15451-53000 | HOLDER NOZZLE | 3 | | | | 0.47 | 1.034 |
| 033 | 15451-53620 | GASKET | 3 | | | | 0.003 | 0.0066 |
| 034 | 15451-96650 | GASKET | 3 | | | | 0.004 | 0.0088 |
| 035 | 01513-50845 | STUD | 6 | | | | 0.019 | 0.0418 |
| 036 | 02056-50080 | NUT | 6 | | | | 0.005 | 0.011 |
| 037 | 04512-50080 | WASHER SPRING | 6 | | | | 0 | 0 |
| 038 | 15351-53710 | PIPE INJECTION | 1 | | | | 0.13 | 0.286 |
| 039 | 15351-53720 | PIPE INJECTION | 1 | | | | 0.14 | 0.308 |
| 040 | 15351-53730 | PIPE INJECTION | 1 | | | | 0.13 | 0.286 |
| 041 | 15121-53850 | CLAMP PIPE | 2 | | | | 0 | 0 |
| 042 | 15121-53860 | CLAMP PIPE | 2 | | | | 0 | 0 |
| 043 | 03024-50520 | SCREW WITH WASHER | 2 | | | | 0.004 | 0.0088 |
| 044 | 15451-43352 | SEDIMENTER | 1 | | | | 0.8 | 1.76 |
| 045 | 15351-43360 | SUPPORT SEDIMENTER | 1 | | | | 0.58 | 1.276 |
| 046 | 01073-51070 | BOLT | 3 | | | | 0.05 | 0.11 |
| 047 | 01073-51035 | BOLT | 2 | | | | 0.031 | 0.0682 |
| 048 | 04013-50100 | WASHER PLAIN | 5 | | | | 0 | 0 |
| 049 | 04512-50100 | WASHER SPRING | 5 | | | | 0 | 0 |
| 050 | 15451-42170 | PIPE | 2 | | | | 0.034 | 0.0748 |
| 051 | 15451-95790 | BOLT EYE JOINT | 2 | | | | 0 | 0 |
| 052 | 17105-33680 | GASKET | 4 | | | | 0.002 | 0.0044 |
| 053 | 07935-05691 | PIPE FUEL | 1 | | | | 0.118 | 0.2596 |
| 054 | 14301-42750 | CLIP PIPE | 2 | | | | 0.005 | 0.011 |
| 055 | 14681-42020 | ASSY PIPE | 1 | | | | 0.048 | 0.1056 |
| 056 | 15451-42500 | ASSY PIPE | 3 | | | | 0.015 | 0.033 |
| 057 | 01053-50828 | BOLT | 1 | | | | 0.014 | 0.0308 |
| 058 | 01073-51030 | BOLT | 2 | | | | 0.028 | 0.0616 |
| 059 | 02076-50100 | NUT | 2 | | | | 0.006 | 0.0132 |

INJECTION PUMP



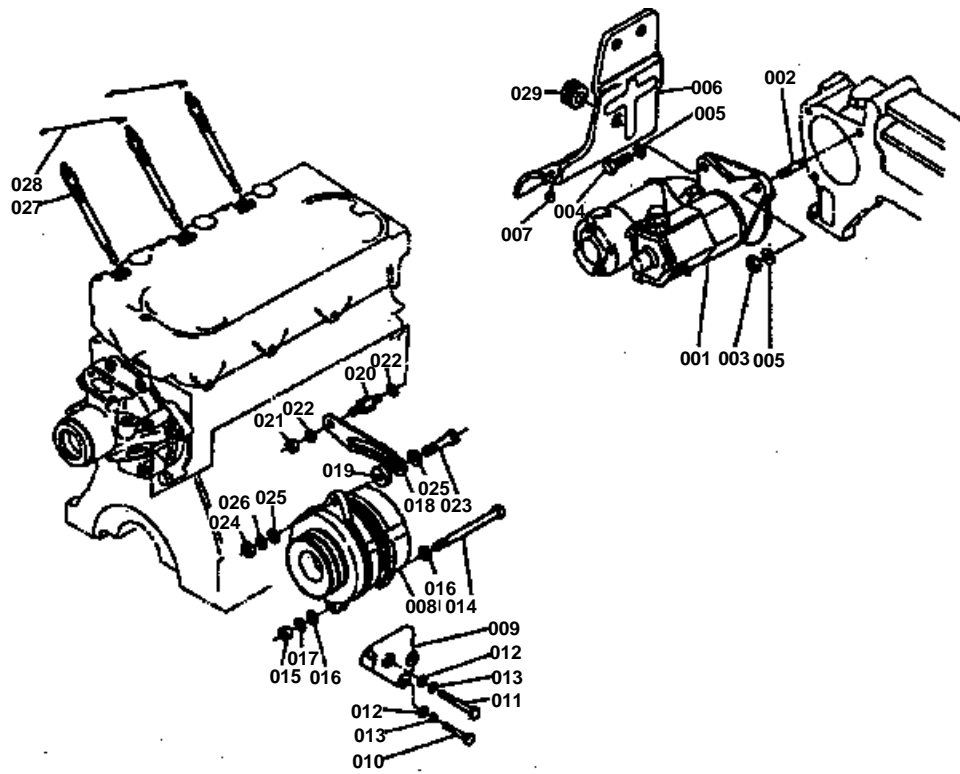


INJECTION PUMP

↔ Interchangeable; ≠ not interchangeable; ← new for old; → old for new

| REF.No | Part No. | Description | Q'ty | S.No. | I/C | REMARKS | Weight (kgf) | Weight (lb) |
|--------|-------------|----------------------|------|-------|-----|---------------------|--------------|-------------|
| 001 | 15351-51010 | ASSY PUMP INJECTION | 1 | | | | 5.7 | 12.54 |
| 002 | 15451-52130 | GASKET PUMP | 1 | | | | 0 | 0 |
| 003 | 15451-51170 | BASE INJECTION PUMP | 1 | | | | 0.235 | 0.517 |
| 004 | 15451-51180 | GASKET | 1 | | | | 0.005 | 0.011 |
| 005 | 15451-91520 | STUD | 3 | | | | 0.015 | 0.033 |
| 006 | 02056-50080 | NUT | 3 | | | | 0.005 | 0.011 |
| 007 | 04012-50080 | WASHER PLAIN | 3 | | | | 0.001 | 0.0022 |
| 008 | 04512-50080 | WASHER SPRING | 3 | | | | 0 | 0 |
| 009 | 15351-51150 | GEAR | 1 | | | | 2 | 4.4 |
| 010 | 15451-94070 | WASHER SPRING | 1 | | | | 0.017 | 0.0374 |
| 011 | 15451-92320 | NUT CAP | 1 | | | | 0.01 | 0.022 |
| 012 | 15451-51480 | COLLAR | 1 | | | | 0.145 | 0.319 |
| 013 | 01073-51020 | BOLT | 2 | | | | 0.024 | 0.0528 |
| 014 | 04013-50100 | WASHER PLAIN | 2 | | | | 0 | 0 |
| 015 | 15451-51650 | COVER INJECTION PUMP | 1 | | | | 0.32 | 0.704 |
| 016 | 15451-51660 | GASKET | 1 | | | | 0 | 0 |
| 017 | 01053-50818 | BOLT | 2 | | | | 0.011 | 0.0242 |
| 018 | 01053-50850 | BOLT | 4 | | | | 0.021 | 0.0462 |
| 019 | 04512-50080 | WASHER SPRING | 6 | | | | 0 | 0 |
| 020 | 15451-52032 | PUMP FUEL | 1 | | | | 0.34 | 0.748 |
| 021 | 15451-52140 | GASKET FUEL PUMP | 1 | | | | 0 | 0 |
| 022 | 15451-52150 | BASE | 1 | | | | 0 | 0 |
| 023 | 01513-50822 | STUD | 2 | | | | 0.01 | 0.022 |
| 024 | 02056-50080 | NUT | 2 | | | | 0.005 | 0.011 |
| 025 | 04012-50080 | WASHER PLAIN | 2 | | | | 0.001 | 0.0022 |
| 026 | 04512-50080 | WASHER SPRING | 2 | | | | 0 | 0 |
| 027 | 15451-52410 | GEAR | 1 | | | | 1.25 | 2.75 |
| 028 | 15451-52420 | SHAFT | 1 | | | | 0.8 | 1.76 |
| 029 | 01053-50820 | BOLT | 3 | | | | 0.012 | 0.0264 |
| 030 | 04012-50080 | WASHER PLAIN | 3 | | | | 0.001 | 0.0022 |
| 031 | 15451-52400 | ASSY SUPPORT BEARING | 1 | | | | 0 | 0 |
| 032 | 99999-99999 | BLANK | 0 | | | ORDER BY REF.No.031 | 0 | 0 |
| 033 | 15451-24980 | BUSH | 2 | | | | 0 | 0 |
| 034 | 15451-24360 | COLLAR | 1 | | | | 0.015 | 0.033 |
| 035 | 15451-24370 | COLLAR | 1 | | | | 0.03 | 0.066 |
| 036 | 15451-95390 | CIR-CLIP EXTERNAL | 1 | | | | 0.007 | 0.0154 |
| 037 | 15451-52440 | GASKET | 2 | | | | 0 | 0 |
| 038 | 15451-91530 | STUD | 3 | | | | 0.016 | 0.0352 |
| 039 | 02056-50080 | NUT | 3 | | | | 0.005 | 0.011 |
| 040 | 04012-50080 | WASHER PLAIN | 3 | | | | 0.001 | 0.0022 |
| 041 | 04512-50080 | WASHER SPRING | 3 | | | | 0 | 0 |

STARTER DYNAMO



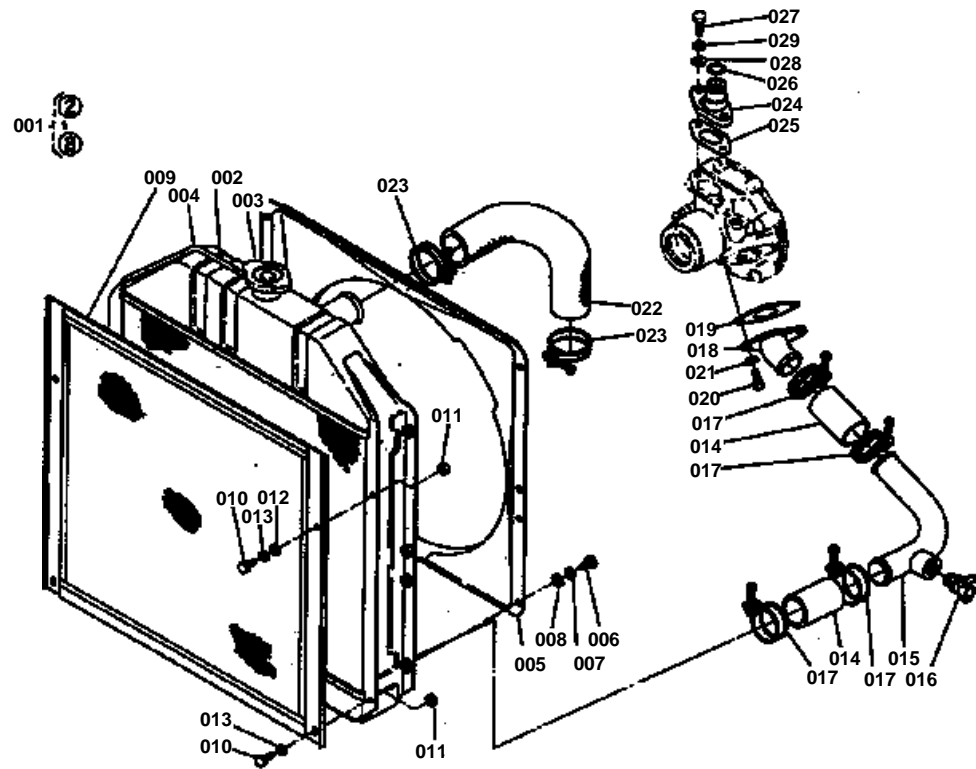


STARTER DYNAMO

↔ Interchangeable; ≠ not interchangeable; ← new for old; → old for new

| REF.No | Part No. | Description | Q'ty | S.No. | I/C | REMARKS | Weight (kgf) | Weight (lb) |
|--------|-------------|----------------|------|-------|-----|---------|--------------|-------------|
| 001 | 15451-63010 | ASSY STARTER | 1 | | | | 0 | 0 |
| 002 | 01517-51030 | STUD | 1 | | | | 0 | 0 |
| 003 | 02076-50100 | NUT | 1 | | | | 0.006 | 0.0132 |
| 004 | 01073-51035 | BOLT | 2 | | | | 0.031 | 0.0682 |
| 005 | 04512-50100 | WASHER SPRING | 3 | | | | 0 | 0 |
| 006 | 15351-63540 | COVER | 1 | | | | 0.36 | 0.792 |
| 007 | 15451-63850 | CUSHION | 3 | | | | 0.001 | 0.0022 |
| 008 | 15451-64010 | DYNAMO | 1 | | | | 5.5 | 12.1 |
| 009 | 15451-64350 | SUPPORT DYNAMO | 1 | | | | 0.29 | 0.638 |
| 010 | 01053-50845 | BOLT | 2 | | | | 0.019 | 0.0418 |
| 011 | 01053-50865 | BOLT | 1 | | | | 0.025 | 0.055 |
| 012 | 04012-50080 | WASHER PLAIN | 3 | | | | 0.001 | 0.0022 |
| 013 | 04512-50080 | WASHER SPRING | 3 | | | | 0 | 0 |
| 014 | 15451-91030 | BOLT | 1 | | | | 0.075 | 0.165 |
| 015 | 02076-50100 | NUT | 1 | | | | 0.006 | 0.0132 |
| 016 | 04013-50100 | WASHER PLAIN | 2 | | | | 0 | 0 |
| 017 | 04512-50100 | WASHER SPRING | 1 | | | | 0 | 0 |
| 018 | 15451-64420 | STAY DYNAMO | 1 | | | | 0.15 | 0.33 |
| 019 | 15451-64460 | COLLAR | 1 | | | | 0.034 | 0.0748 |
| 020 | 15451-91490 | STUD | 1 | | | | 0.06 | 0.132 |
| 021 | 02076-50100 | NUT | 1 | | | | 0.006 | 0.0132 |
| 022 | 04512-50100 | WASHER SPRING | 2 | | | | 0 | 0 |
| 023 | 01073-51048 | BOLT | 1 | | | | 0.04 | 0.088 |
| 024 | 02076-50100 | NUT | 1 | | | | 0.006 | 0.0132 |
| 025 | 04013-50100 | WASHER PLAIN | 2 | | | | 0 | 0 |
| 026 | 04012-50100 | WASHER SPRING | 1 | | | | 0 | 0 |
| 027 | 15451-65510 | GLOW PLUG | 3 | | | | 0.09 | 0.198 |
| 028 | 15451-65560 | CORD GLOW PLUG | 2 | | | | 0.005 | 0.011 |
| 029 | 32150-29180 | CAP RUBBER | 1 | | | | 0.002 | 0.0044 |

RADIATOR



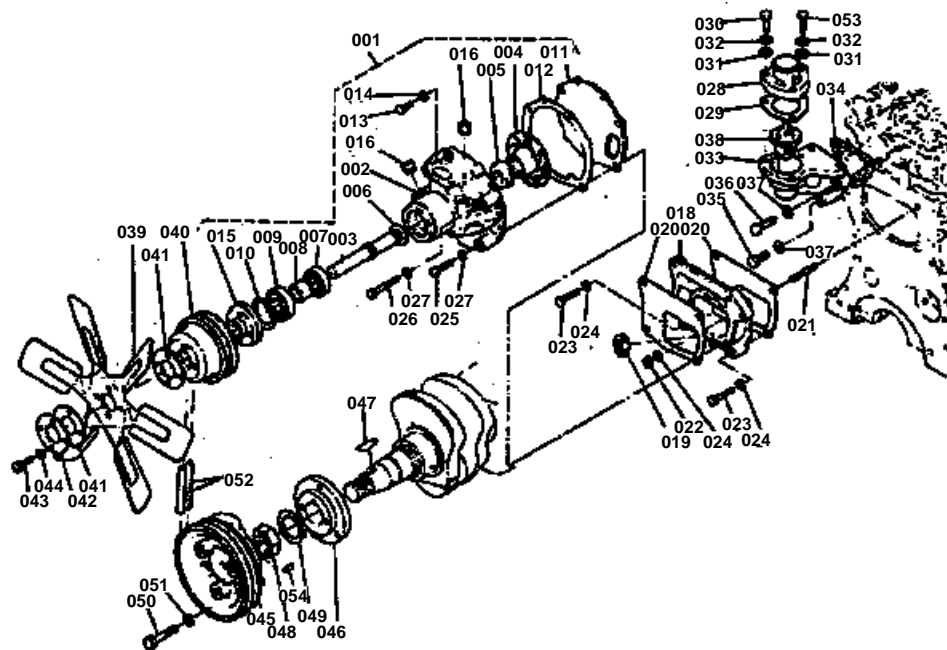


RADIATOR

↔ Interchangeable; ≠ not interchangeable; ← new for old; → old for new

| REF.No | Part No. | Description | Q'ty | S.No. | I/C | REMARKS | Weight (kgf) | Weight (lb) |
|--------|-------------|----------------------|------|-------|-----|---------------------|--------------|-------------|
| 001 | 15453-72060 | ASSY RADIATOR | 1 | | | | 13.5 | 29.7 |
| 002 | 99999-99999 | BLANK | 0 | | | ORDER BY REF.No.001 | 0 | 0 |
| 003 | 15701-72030 | CAP RADIATOR | 1 | | | | 0 | 0 |
| 004 | 15701-72710 | PIPE WATER OVER FLOW | 1 | | | | 0.03 | 0.066 |
| 005 | 15451-72330 | SHROUD FAN | 1 | | | | 0.99 | 2.178 |
| 006 | 01053-50612 | BOLT | 8 | | | | 0.004 | 0.0088 |
| 007 | 04512-50060 | WASHER SPRING | 8 | | | | 0 | 0 |
| 008 | 04012-50060 | WASHER PLAIN | 8 | | | | 0.001 | 0.0022 |
| 009 | 15811-72254 | NET RADIATOR | 1 | | | | 1.1 | 2.42 |
| 010 | 01053-50614 | BOLT | 4 | | | | 0.005 | 0.011 |
| 011 | 02056-50060 | NUT | 4 | | | | 0.002 | 0.0044 |
| 012 | 04012-50060 | WASHER PLAIN | 2 | | | | 0.001 | 0.0022 |
| 013 | 04512-50060 | WASHER SPRING | 4 | | | | 0 | 0 |
| 014 | 15701-72850 | PIPE | 2 | | | | 0.06 | 0.132 |
| 015 | 15451-72850 | PIPE WATER | 1 | | | | 0.4 | 0.88 |
| 016 | 14412-73110 | COCK DRAIN | 1 | | | | 0.09 | 0.198 |
| 017 | 15701-72870 | BAND 1 | 4 | | | | 0.027 | 0.0594 |
| 018 | 15451-72810 | FLANGE WATER | 1 | | | | 0.145 | 0.319 |
| 019 | 15451-72820 | GASKET WATER FLANGE | 1 | | | | 0.001 | 0.0022 |
| 020 | 01053-50818 | BOLT | 2 | | | | 0.011 | 0.0242 |
| 021 | 04512-50080 | WASHER SPRING | 2 | | | | 0 | 0 |
| 022 | 15451-72940 | PIPE WATER | 1 | | | | 0.26 | 0.572 |
| 023 | 15701-72960 | BAND 2 | 2 | | | | 0.029 | 0.0638 |
| 024 | 15451-73320 | FLANGE | 1 | | | | 0.227 | 0.4994 |
| 025 | 15451-73330 | GASKET | 1 | | | | 0.006 | 0.0132 |
| 026 | 04811-40150 | O RING | 1 | | | | 0.001 | 0.0022 |
| 027 | 01053-50822 | BOLT | 2 | | | | 0.013 | 0.0286 |
| 028 | 04012-50080 | WASHER PLAIN | 2 | | | | 0.001 | 0.0022 |
| 029 | 04512-50080 | WASHER SPRING | 2 | | | | 0 | 0 |

WATER PUMP



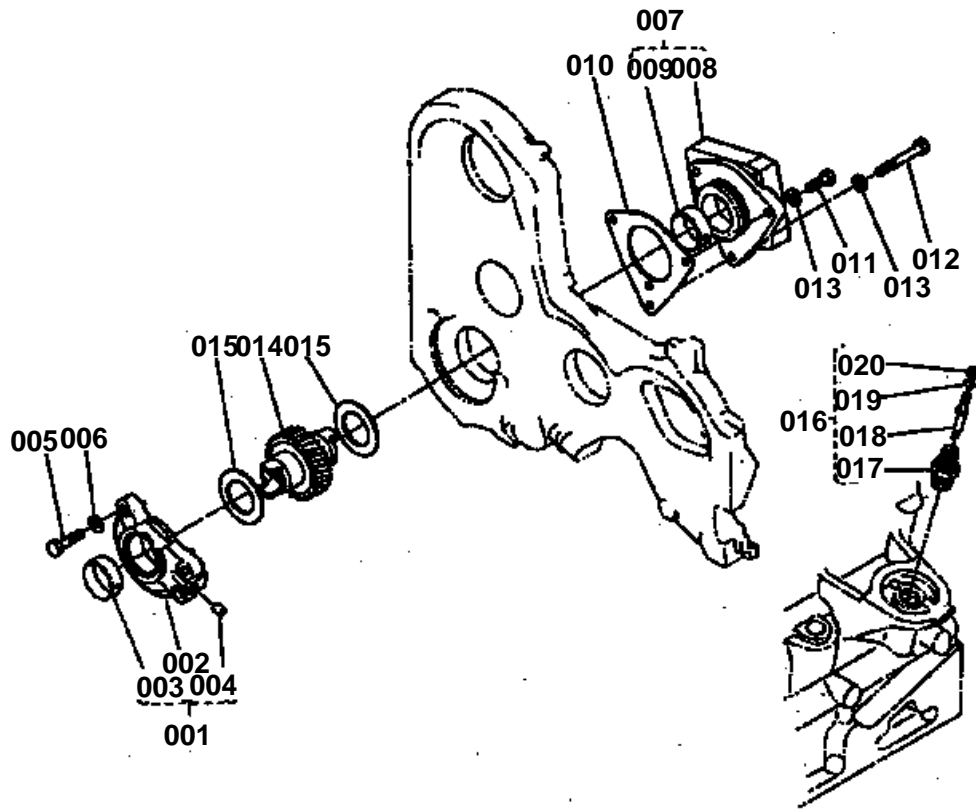


WATER PUMP

↔ Interchangeable; ≠ not interchangeable; ← new for old; → old for new

| REF.No | Part No. | Description | Q'ty | S.No. | I/C | REMARKS | Weight (kgf) | Weight (lb) |
|--------|-------------|----------------------|------|-------|-----|---------|--------------|-------------|
| 001 | 15451-73030 | ASSY PUMP WATER | 1 | | | | 0 | 0 |
| 002 | 15451-73410 | BODY WATER PUMP | 1 | | | | 0 | 0 |
| 003 | 15451-73480 | SHAFT WATER PUMP | 1 | | | | 0.36 | 0.792 |
| 004 | 15451-73510 | IMPELLER WATER PUMP | 1 | | | | 0.42 | 0.924 |
| 005 | 15451-73050 | ASSY SEAL MECHANICAL | 1 | | | | 0.05 | 0.11 |
| 006 | 15451-73620 | SLIDINGER WATER PUMP | 1 | | | | 0.006 | 0.0132 |
| 007 | 15451-73550 | BEARING | 1 | | | | 0.108 | 0.2376 |
| 008 | 15451-73490 | COLLAR SHAFT WATER P | 1 | | | | 0.05 | 0.11 |
| 009 | 15451-73560 | BEARING | 1 | | | | 0.144 | 0.3168 |
| 010 | 04611-00520 | CIR-CLIP INTERNAL | 1 | | | | 0.009 | 0.0198 |
| 011 | 15451-73770 | COVER BODY WATER PUM | 1 | | | | 0.54 | 1.188 |
| 012 | 15451-73430 | GASKET WATER PUMP | 1 | | | | 0.005 | 0.011 |
| 013 | 01053-50820 | BOLT | 2 | | | | 0.012 | 0.0264 |
| 014 | 04512-50080 | WASHER SPRING | 2 | | | | 0 | 0 |
| 015 | 15451-73520 | FLANGE SHAFT WATER P | 1 | | | | 0.36 | 0.792 |
| 016 | 15451-96040 | PLUG | 2 | | | | 0.024 | 0.0528 |
| 017 | 99999-99999 | BLANK | 0 | | | | 0 | 0 |
| 018 | 15451-73750 | SUPPORT WATER PUMP | 1 | | | | 0 | 0 |
| 019 | 15451-96050 | PLUG | 1 | | | | 0.104 | 0.2288 |
| 020 | 15451-73760 | GASKET SUPPORT WATER | 2 | | | | 0 | 0 |
| 021 | 01517-51040 | STUD | 1 | | | | 0.03 | 0.066 |
| 022 | 02076-50100 | NUT | 1 | | | | 0.006 | 0.0132 |
| 023 | 01073-51042 | BOLT | 3 | | | | 0.035 | 0.077 |
| 024 | 04512-50100 | WASHER SPRING | 4 | | | | 0 | 0 |
| 025 | 01073-51035 | BOLT | 1 | | | | 0.031 | 0.0682 |
| 026 | 01073-51055 | BOLT | 3 | | | | 0.043 | 0.0946 |
| 027 | 04512-50100 | WASHER SPRING | 4 | | | | 0 | 0 |
| 028 | 15451-73260 | COVER THERMOSTAT | 1 | | | | 0.132 | 0.2904 |
| 029 | 15451-73270 | GASKET | 1 | | | | 0 | 0 |
| 030 | 01053-50825 | BOLT | 2 | | | | 0.014 | 0.0308 |
| 031 | 04012-50080 | WASHER PLAIN | 3 | | | | 0.001 | 0.0022 |
| 032 | 04512-50080 | WASHER SPRING | 3 | | | | 0 | 0 |
| 033 | 15351-73250 | SUPPORT THERMOSTAT | 1 | | | | 1.86 | 4.092 |
| 034 | 15451-73280 | GASKET | 1 | | | | 0 | 0 |
| 035 | 01073-51028 | BOLT | 1 | | | | 0.03 | 0.066 |
| 036 | 01073-51045 | BOLT | 2 | | | | 0.036 | 0.0792 |
| 037 | 04512-50100 | WASHER SPRING | 3 | | | | 0 | 0 |
| 038 | 15451-73010 | ASSY THERMOSTAT | 1 | | | | 0.1 | 0.22 |
| 039 | 15451-74110 | FAN | 1 | | | | 1.85 | 4.07 |
| 040 | 15451-74250 | PULLEY FAN | 1 | | | | 1.3 | 2.86 |
| 041 | 15451-96680 | GASKET | 2 | | | | 0.002 | 0.0044 |
| 042 | 15451-74230 | WASHER FAN | 1 | | | | 0.07 | 0.154 |
| 043 | 01053-50830 | BOLT | 4 | | | | 0.015 | 0.033 |
| 044 | 04512-50080 | WASHER SPRING | 4 | | | | 0 | 0 |
| 045 | 15352-74280 | PULLEY FAN DRIVE | 1 | | | | 4 | 8.8 |
| 046 | 15451-74290 | FLANGE PULLEY | 1 | | | | 1.44 | 3.168 |
| 047 | 15451-95230 | KEY WOODRUFF | 1 | | | | 0.001 | 0.0022 |
| 048 | 15451-23360 | NUT CRANK SHAFT | 1 | | | | 0.156 | 0.3432 |
| 049 | 15451-23380 | WASHER CRANKSHAFT | 1 | | | | 0.01 | 0.022 |
| 050 | 01073-51055 | BOLT | 3 | | | | 0.043 | 0.0946 |
| 051 | 04512-50100 | WASHER SPRING | 3 | | | | 0 | 0 |
| 052 | 15451-97010 | BELT V | 2 | | | | 0.095 | 0.209 |
| 053 | 01053-50830 | BOLT | 1 | | | | 0.015 | 0.033 |
| 054 | 05012-00510 | PIN STRAIGHT | 1 | | | | 0.001 | 0.0022 |

OIL PUMP BASE



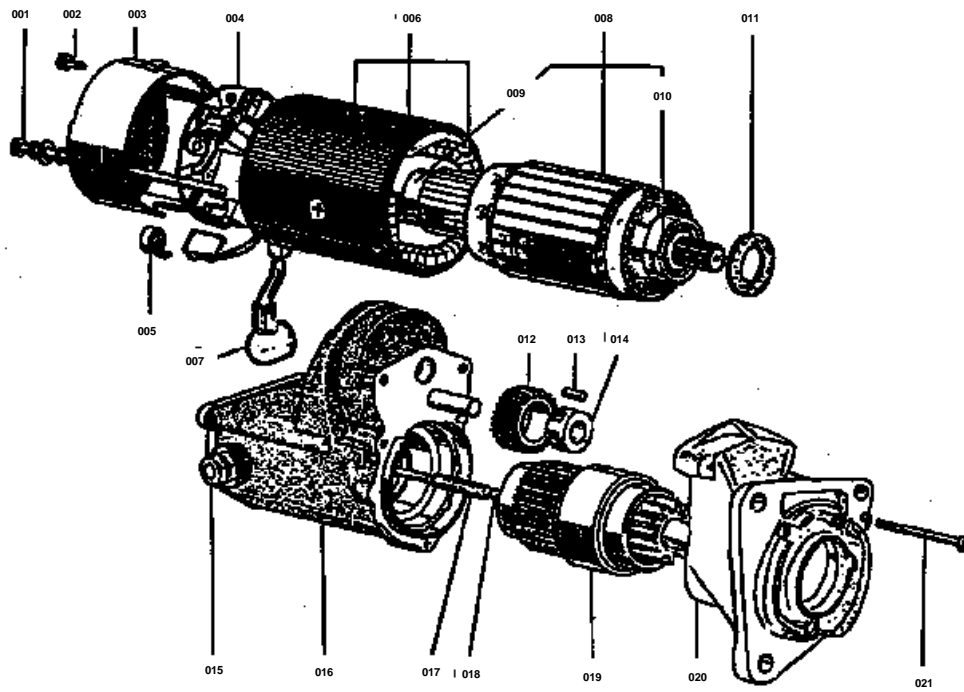


OIL PUMP BASE

↔ Interchangeable; ≠ not interchangeable; ← new for old; → old for new

| REF.No | Part No. | Description | Q'ty | S.No. | I/C | REMARKS | Weight (kgf) | Weight (lb) |
|--------|-------------|------------------|------|-------|-----|---------------------|--------------|-------------|
| 001 | 15451-83060 | BASE O/P PUMP | 1 | | | | 0 | 0 |
| 002 | 99999-99999 | BLANK | 1 | | | ORDER BY REF.No.001 | 0 | 0 |
| 003 | 15451-83980 | BUSH | 1 | | | | 0 | 0 |
| 004 | 15109-33640 | PLUG PIN | 1 | | | | 0.001 | 0.0022 |
| 005 | 01053-50835 | BOLT | 3 | | | | 0.016 | 0.0352 |
| 006 | 04512-50080 | WASHER SPRING | 3 | | | | 0 | 0 |
| 007 | 15451-83070 | BASE O/P PUMP | 1 | | | | 1.42 | 3.124 |
| 008 | 99999-99999 | BLANK | 1 | | | ORDER BY REF.No.007 | 0 | 0 |
| 009 | 15451-83980 | BUSH | 1 | | | | 0 | 0 |
| 010 | 15451-83140 | GASKET PUMP BASE | 1 | | | | 0 | 0 |
| 011 | 01053-50830 | BOLT | 2 | | | | 0.015 | 0.033 |
| 012 | 01053-50865 | BOLT | 1 | | | | 0.025 | 0.055 |
| 013 | 04512-50080 | WASHER SPRING | 3 | | | | 0 | 0 |
| 014 | 15451-83190 | GEAR PUMP DRIVE | 1 | | | | 0.93 | 2.046 |
| 015 | 15451-83160 | COLLAR | 2 | | | | 0.016 | 0.0352 |
| 016 | 15451-83400 | ASSY JOINT | 1 | | | | 0 | 0 |
| 017 | 99999-99999 | BLANK | 0 | | | ORDER BY REF.No.016 | 0 | 0 |
| 018 | 99999-99999 | BLANK | 0 | | | ORDER BY REF.No.016 | 0 | 0 |
| 019 | 99999-99999 | BLANK | 0 | | | ORDER BY REF.No.016 | 0 | 0 |
| 020 | 15451-83450 | SEAL OIL | 1 | | | | 0.001 | 0.0022 |

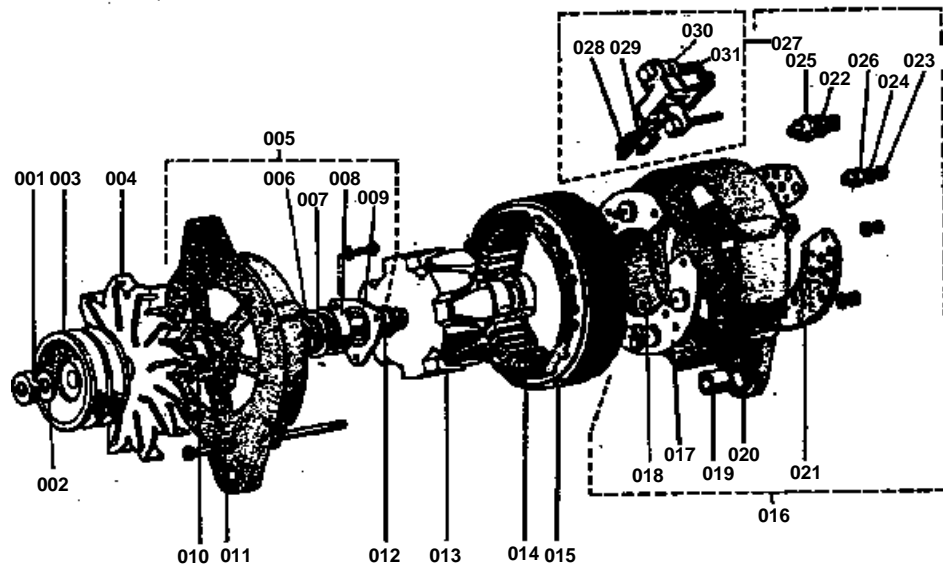
STARTER [SECTION PARTS]



**STARTER [SECTION PARTS]**

↔ Interchangeable; ≠ not interchangeable; ← new for old; → old for new

| REF.No | Part No. | Description | Q'ty | S.No. | I/C | REMARKS | Weight (kgf) | Weight (lb) |
|--------|-------------|-----------------|------|-------|-----|---------|--------------|-------------|
| 001 | 15451-63320 | BOLT | 2 | | | | 0.034 | 0.0748 |
| 002 | 03024-50508 | WASHER | 2 | | | | 0.002 | 0.0044 |
| 003 | 15451-63200 | FRAME END | 1 | | | | 0.346 | 0.7612 |
| 004 | 15451-63380 | HOLDER BRUSH | 1 | | | | 0.174 | 0.3828 |
| 005 | 15451-63390 | SPRING BRUSH | 4 | | | | 0.009 | 0.0198 |
| 006 | 15451-63080 | YOKE | 1 | | | | 1.8 | 3.96 |
| 007 | 15451-63120 | COVER CORD | 1 | | | | 0.008 | 0.0176 |
| 008 | 15451-63070 | ARMATURE | 1 | | | | 1.83 | 4.026 |
| 009 | 08111-06200 | BEARING BALL | 1 | | | | 0.025 | 0.055 |
| 010 | 08111-06003 | BEARING BALL | 1 | | | | 0.04 | 0.088 |
| 011 | 15451-96980 | WASHER | 1 | | | | 0.001 | 0.0022 |
| 012 | 15451-63260 | GEAR | 1 | | | | 0.128 | 0.2816 |
| 013 | 15451-63330 | ROLLER | 6 | | | | 0.004 | 0.0088 |
| 014 | 15451-63340 | RETAITER | 1 | | | | 0.006 | 0.0132 |
| 015 | 15451-92190 | NUT | 2 | | | | 0.011 | 0.0242 |
| 016 | 15451-63020 | SWITCH MAGNETIO | 1 | | | | 1.5 | 3.3 |
| 017 | 15451-63140 | SPRING COIL | 1 | | | | 0.004 | 0.0088 |
| 018 | 15451-97130 | BALL | 1 | | | | 0 | 0 |
| 019 | 15451-63040 | CLUTCH | 1 | | | | 0 | 0 |
| 020 | 15451-63030 | HOUSING | 1 | | | | 0.98 | 2.156 |
| 021 | 15451-93310 | SCREW | 3 | | | | 0.015 | 0.033 |

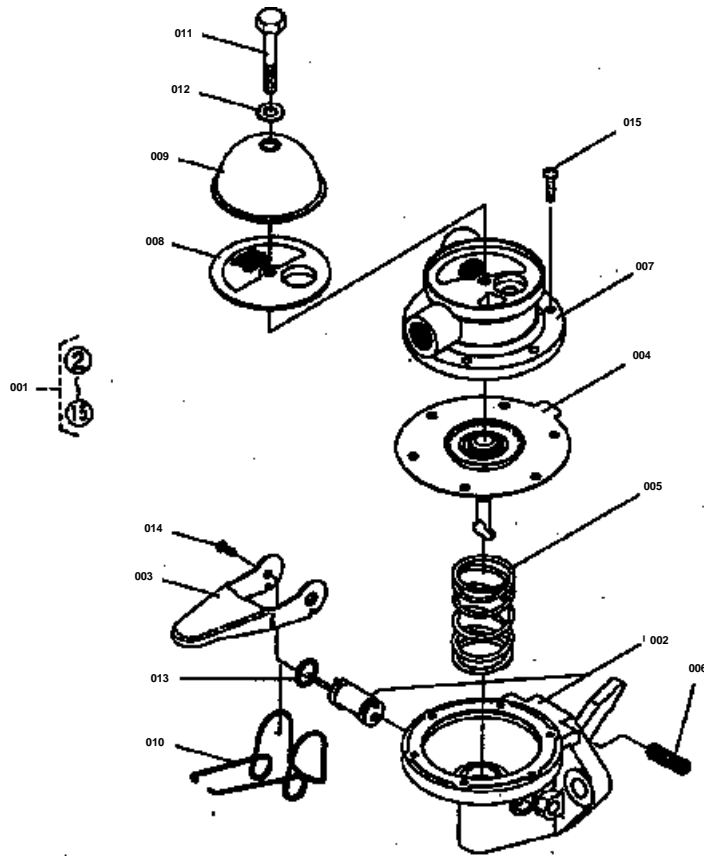


**DYNAMO [SECTION PARTS]**

↔ Interchangeable; ≠ not interchangeable; ← new for old; → old for new

| REF.No | Part No. | Description | Q'ty | S.No. | I/C | REMARKS | Weight (kgf) | Weight (lb) |
|--------|-------------|---------------------|------|-------|-----|---------|--------------|-------------|
| 001 | 15221-92010 | NUT | 1 | | | | 0.012 | 0.0264 |
| 002 | 15221-94070 | WASHER SPRING | 1 | | | | 0.008 | 0.0176 |
| 003 | 15451-64110 | PULLEY DYNAMO | 1 | | | | 0.94 | 2.068 |
| 004 | 15451-64130 | FAN DYNAMO | 1 | | | | 0.2 | 0.44 |
| 005 | 15451-64020 | FRAME DRIVE END | 1 | | | | 0.444 | 0.9768 |
| 006 | 15451-64790 | FELT OIL | 1 | | | | 0.001 | 0.0022 |
| 007 | 15451-64830 | COVER FELT | 1 | | | | 0.002 | 0.0044 |
| 008 | 08141-06203 | BEARING BALL | 1 | | | | 0.064 | 0.1408 |
| 009 | 15451-64710 | PLATE RETAINER | 1 | | | | 0.02 | 0.044 |
| 010 | 15451-64150 | COLLAR | 1 | | | | 0.013 | 0.0286 |
| 011 | 15451-64260 | BOLT | 3 | | | | 0.01 | 0.022 |
| 012 | 15451-64160 | RING SPACER | 1 | | | | 0.012 | 0.0264 |
| 013 | 15451-64030 | ARMATURE | 1 | | | | 2.07 | 4.554 |
| 014 | 08141-06201 | BEARING BALL | 1 | | | | 0.04 | 0.088 |
| 015 | 15451-64050 | YOKE | 1 | | | | 1.21 | 2.662 |
| 016 | 15451-64070 | FRAME END | 1 | | | | 0.6 | 1.32 |
| 017 | 15451-64850 | ASSY RECTIFIER | 1 | | | | 0.185 | 0.407 |
| 018 | 15451-64880 | WASHER | 2 | | | | 0.001 | 0.0022 |
| 019 | 15451-64210 | BUSH | 1 | | | | 0.01 | 0.022 |
| 020 | 15451-64060 | FRAME END | 1 | | | | 0.388 | 0.8536 |
| 021 | 15451-64230 | COVER END | 1 | | | | 0.03 | 0.066 |
| 022 | 14611-51400 | WASHER | 1 | | | | 0 | 0 |
| 023 | 15221-92030 | NUT | 5 | | | | 0.001 | 0.0022 |
| 024 | 15451-94080 | WASHER | 5 | | | | 0.001 | 0.0022 |
| 025 | 15451-64920 | INSULATION TERMINAL | 1 | | | | 0.002 | 0.0044 |
| 026 | 15451-64910 | INSULATION TERMINAL | 1 | | | | 0.002 | 0.0044 |
| 027 | 15451-64310 | HOLDER BRUSH | 1 | | | | 0.05 | 0.11 |
| 028 | 15221-64090 | BRUSH | 2 | | | | 0.002 | 0.0044 |
| 029 | 15221-64330 | SPRING BRUSH | 2 | | | | 0.001 | 0.0022 |
| 030 | 15451-64870 | WASHER INSULATER | 2 | | | | 0.001 | 0.0022 |
| 031 | 15451-64940 | INSULATER TERMINAL | 1 | | | | 0.001 | 0.0022 |

FUEL PUMP [SECTION PARTS]

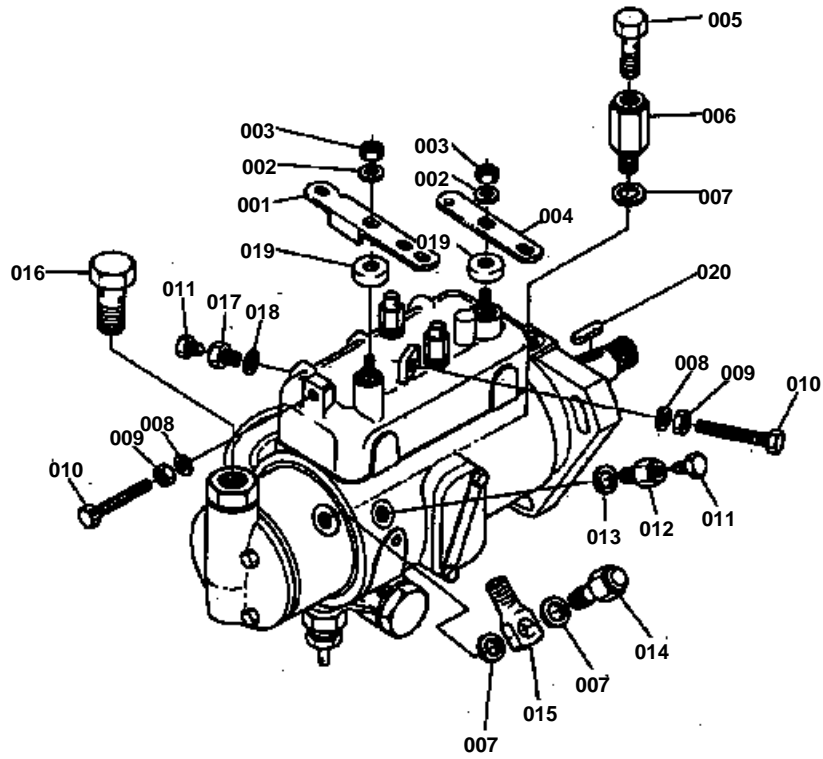


**FUEL PUMP [SECTION PARTS]**

↔ Interchangeable; ≠ not interchangeable; ← new for old; → old for new

| REF.No | Part No. | Description | Q'ty | S.No. | I/C | REMARKS | Weight (kgf) | Weight (lb) |
|--------|-------------|----------------|------|-------|-----|---------------------|--------------|-------------|
| 001 | 15451-52030 | ASSY PUMP FUEL | 1 | | | | 0 | 0 |
| 002 | 99999-99999 | BLANK | 0 | | | ORDER BY REF.No.001 | 0 | 0 |
| 003 | 15451-52330 | LEVER | 1 | | | | 0 | 0 |
| 004 | 15451-52040 | DIAPHRAGM | 1 | | | | 0.024 | 0.0528 |
| 005 | 15451-52350 | SPRING | 1 | | | | 0.007 | 0.0154 |
| 006 | 15451-52380 | SPRING | 1 | | | | 0.001 | 0.0022 |
| 007 | 15451-52050 | BODY | 1 | | | | 0.07 | 0.154 |
| 008 | 15451-52310 | FILTER | 1 | | | | 0.001 | 0.0022 |
| 009 | 15451-52210 | CAP | 1 | | | | 0.03 | 0.066 |
| 010 | 15451-52340 | SPRING | 1 | | | | 0.001 | 0.0022 |
| 011 | 15451-52220 | BOLT | 1 | | | | 0.007 | 0.0154 |
| 012 | 15451-52230 | GASKET | 1 | | | | 0.001 | 0.0022 |
| 013 | 04811-00070 | O RING | 2 | | | | 0.001 | 0.0022 |
| 014 | 03056-50305 | SCREW | 2 | | | | 0 | 0 |
| 015 | 03024-50412 | SCREW | 6 | | | | 0 | 0 |

INJECTION PUMP [SECTION PARTS]

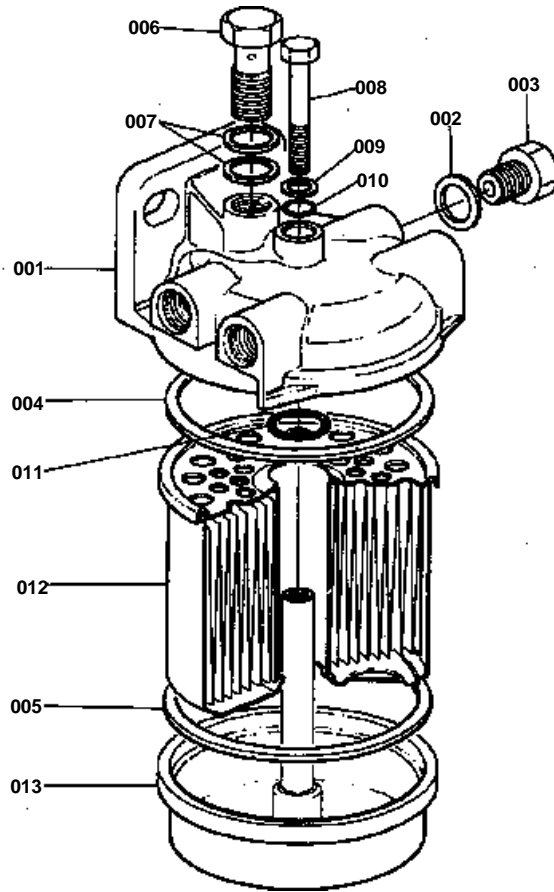


**INJECTION PUMP [SECTION PARTS]**

↔ Interchangeable; ≠ not interchangeable; ← new for old; → old for new

| REF.No | Part No. | Description | Q'ty | S.No. | I/C | REMARKS | Weight (kgf) | Weight (lb) |
|--------|-------------|------------------|------|-------|-----|---------|--------------|-------------|
| 001 | 15451-51130 | LEVER | 1 | | | | 0.023 | 0.0506 |
| 002 | 15451-94370 | WASHER | 2 | | | | 0.001 | 0.0022 |
| 003 | 15451-92210 | NUT LOCK | 2 | | | | 0.014 | 0.0308 |
| 004 | 15451-51140 | LEVER | 1 | | | | 0.01 | 0.022 |
| 005 | 15451-91120 | BOLT | 1 | | | | 0.014 | 0.0308 |
| 006 | 15451-51520 | CONNECTION DRAIN | 1 | | | | 0.058 | 0.1276 |
| 007 | 15451-98120 | WASHER | 7 | | | | 0.001 | 0.0022 |
| 008 | 15451-98130 | WASHER SPRING | 2 | | | | 0.001 | 0.0022 |
| 009 | 15451-92220 | NUT LOCK | 2 | | | | 0.001 | 0.0022 |
| 010 | 15451-91130 | SCREW | 2 | | | | 0.005 | 0.011 |
| 011 | 15451-91140 | SCREW | 2 | | | | 0.003 | 0.0066 |
| 012 | 15451-91170 | BODY | 1 | | | | 0.008 | 0.0176 |
| 013 | 15451-98140 | WASHER | 1 | | | | 0.001 | 0.0022 |
| 014 | 15451-91150 | BOLT | 3 | | | | 0.03 | 0.066 |
| 015 | 15351-51510 | CONNECTOR | 3 | | | | 0.025 | 0.055 |
| 016 | 15451-91160 | BOLT | 1 | | | | 0.035 | 0.077 |
| 017 | 15451-91180 | BODY | 1 | | | | 0.008 | 0.0176 |
| 018 | 15451-98150 | WASHER | 1 | | | | 0.001 | 0.0022 |
| 019 | 15451-51530 | CAP | 2 | | | | 0.001 | 0.0022 |
| 020 | 15451-95010 | KEY | 1 | | | | 0.002 | 0.0044 |

FUEL FILTER [SECTION PARTS]

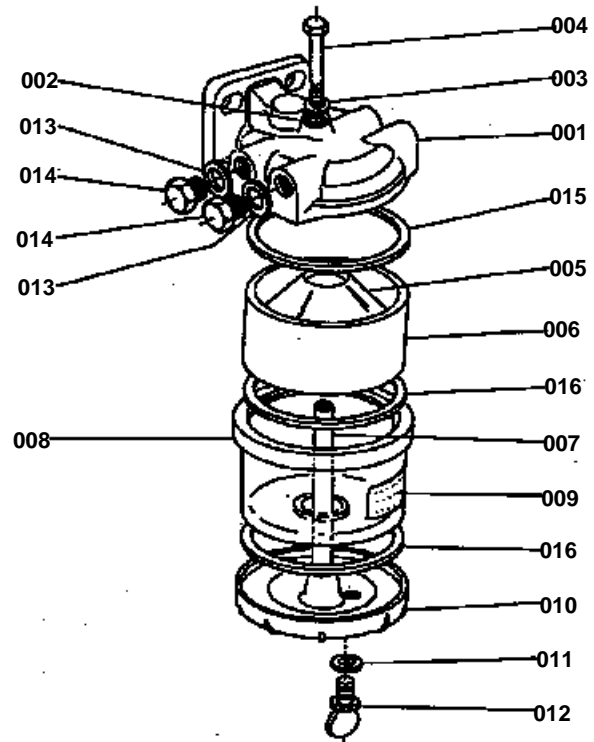


**FUEL FILTER [SECTION PARTS]**

↔ Interchangeable; ≠ not interchangeable; ← new for old; → old for new

| REF.No | Part No. | Description | Q'ty | S.No. | I/C | REMARKS | Weight (kgf) | Weight (lb) |
|--------|-------------|------------------|------|-------|-----|---------|--------------|-------------|
| 001 | 15351-43210 | COVER FILTER | 1 | | | | 0.2 | 0.44 |
| 002 | 15451-43630 | WASHER | 1 | | | | 0.001 | 0.0022 |
| 003 | 15451-95860 | PLUG CLOSING | 1 | | | | 0.028 | 0.0616 |
| 004 | 15351-43320 | SEAL | 1 | | | | 0.002 | 0.0044 |
| 005 | 15351-43330 | SEAL | 1 | | | | 0.004 | 0.0088 |
| 006 | 15451-95810 | SCREW CONNECTION | 1 | | | | 0.016 | 0.0352 |
| 007 | 15451-94050 | WASHER PLAIN | 2 | | | | 0.001 | 0.0022 |
| 008 | 15451-43230 | BOLT CENTRE | 1 | | | | 0.016 | 0.0352 |
| 009 | 15451-94060 | WASHER PLAIN | 1 | | | | 0.002 | 0.0044 |
| 010 | 15451-96840 | O RING | 1 | | | | 0.002 | 0.0044 |
| 011 | 15451-96830 | O RING | 1 | | | | 0.001 | 0.0022 |
| 012 | 15451-43560 | ELEMENT FILTER | 1 | | | | 0.15 | 0.33 |
| 013 | 15451-43580 | BASE FILTER | 1 | | | | 0.145 | 0.319 |

SEDIMENTER [SECTION PARTS]

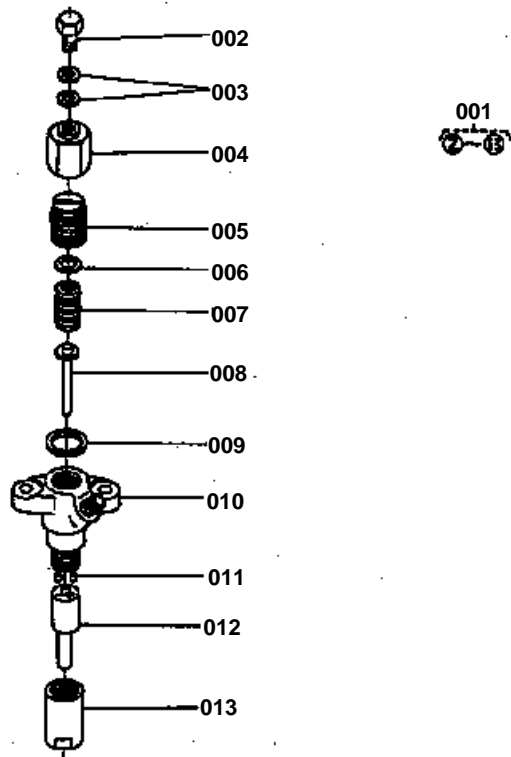


**SEDIMENTER [SECTION PARTS]**

↔ Interchangeable; ≠ not interchangeable; ← new for old; → old for new

| REF.No | Part No. | Description | Q'ty | S.No. | I/C | REMARKS | Weight (kgf) | Weight (lb) |
|--------|-------------|------------------|------|-------|-----|---------|--------------|-------------|
| 001 | 15451-43370 | FILTER HEAD | 1 | | | | 0.2 | 0.44 |
| 002 | 15451-96840 | O RING | 1 | | | | 0.002 | 0.0044 |
| 003 | 15451-94010 | WASHER PLAIN | 1 | | | | 0.002 | 0.0044 |
| 004 | 15451-43420 | BOLT CENTRE | 1 | | | | 0.018 | 0.0396 |
| 005 | 15451-43380 | ELEMENT | 1 | | | | 0 | 0 |
| 006 | 15451-43400 | BODY SEDIMENTER | 1 | | | | 0.085 | 0.187 |
| 007 | 15451-43310 | STUD CENTRE | 1 | | | | 0.04 | 0.088 |
| 008 | 15451-43110 | BODY FILTER | 1 | | | | 0.26 | 0.572 |
| 009 | 15451-87470 | LABEL SEDIMENTER | 1 | | | | 0.001 | 0.0022 |
| 010 | 15451-43390 | BASE FILTER | 1 | | | | 0.11 | 0.242 |
| 011 | 15451-98110 | WASHER PLAIN | 1 | | | | 0.001 | 0.0022 |
| 012 | 15451-43270 | PLUG DRAIN | 1 | | | | 0.001 | 0.0022 |
| 013 | 15451-43630 | GASKET | 2 | | | | 0.001 | 0.0022 |
| 014 | 15451-95790 | PLUG CLOSING | 2 | | | | 0 | 0 |
| 015 | 15351-43320 | SEAL | 1 | | | | 0.002 | 0.0044 |
| 016 | 15351-43330 | SEAL | 2 | | | | 0.004 | 0.0088 |

NOZZLE HOLDER [SECTION PARTS]

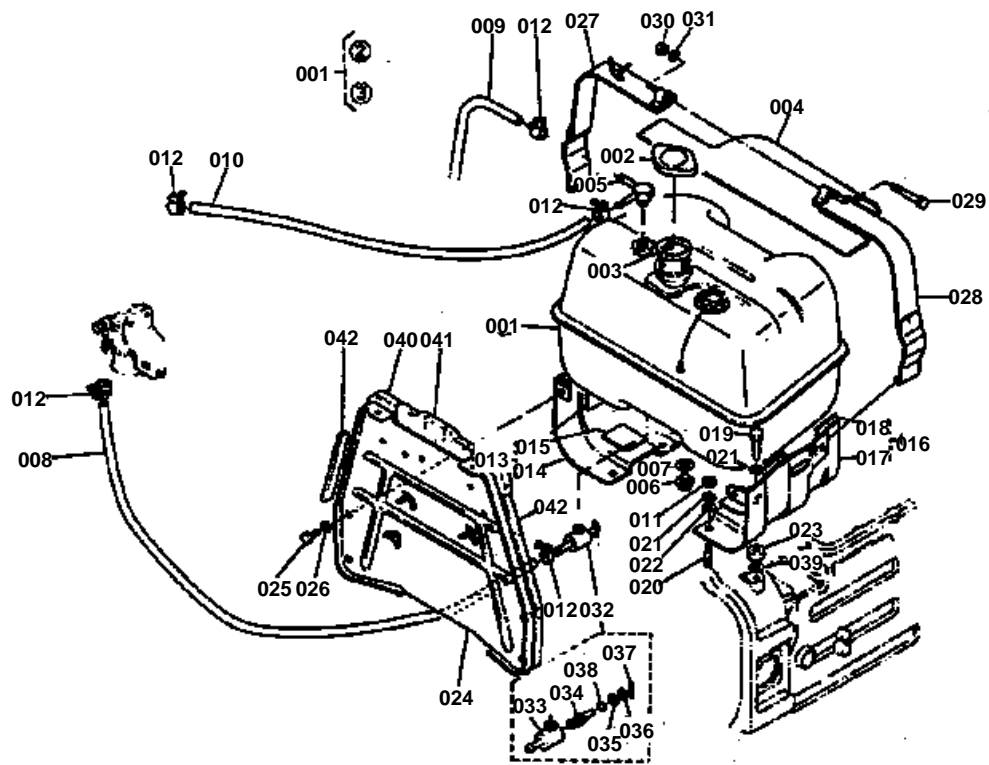


**NOZZLE HOLDER [SECTION PARTS]**

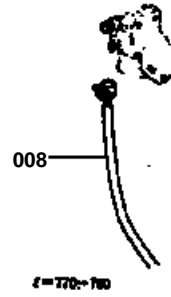
↔ Interchangeable; ≠ not interchangeable; ← new for old; → old for new

| REF.No | Part No. | Description | Q'ty | S.No. | I/C | REMARKS | Weight (kgf) | Weight (lb) |
|--------|-------------|--------------------|------|-------|-----|---------------------|--------------|-------------|
| 001 | 15451-53000 | ASSY HOLDER NOZZLE | 1 | | | | 0.47 | 1.034 |
| 002 | 15451-91110 | BOLT | 1 | | | | 0.01 | 0.022 |
| 003 | 15451-96730 | GASKET | 2 | | | | 0.001 | 0.0022 |
| 004 | 15451-92110 | NUT | 1 | | | | 0.05 | 0.11 |
| 005 | 15451-53180 | NUT SPRING CAP | 1 | | | | 0.025 | 0.055 |
| 006 | 15451-53230 | WASHER ADJUSTING | 1 | | | | 0.001 | 0.0022 |
| 007 | 15451-53170 | SPRING | 1 | | | | 0.02 | 0.044 |
| 008 | 15451-53350 | PIECE DISTANCE | 1 | | | | 0.011 | 0.0242 |
| 009 | 15451-96740 | GASKET | 1 | | | | 0.001 | 0.0022 |
| 010 | 99999-99999 | BLANK | 0 | | | ORDER BY REF.No.001 | 0 | 0 |
| 011 | 15451-94561 | PIN | 2 | | | | 0 | 0 |
| 012 | 15451-53610 | PIECE NOZZLE | 1 | | | | 0.075 | 0.165 |
| 013 | 15451-53280 | NUT NOZZLE | 1 | | | | 0.05 | 0.11 |

FUEL TANK



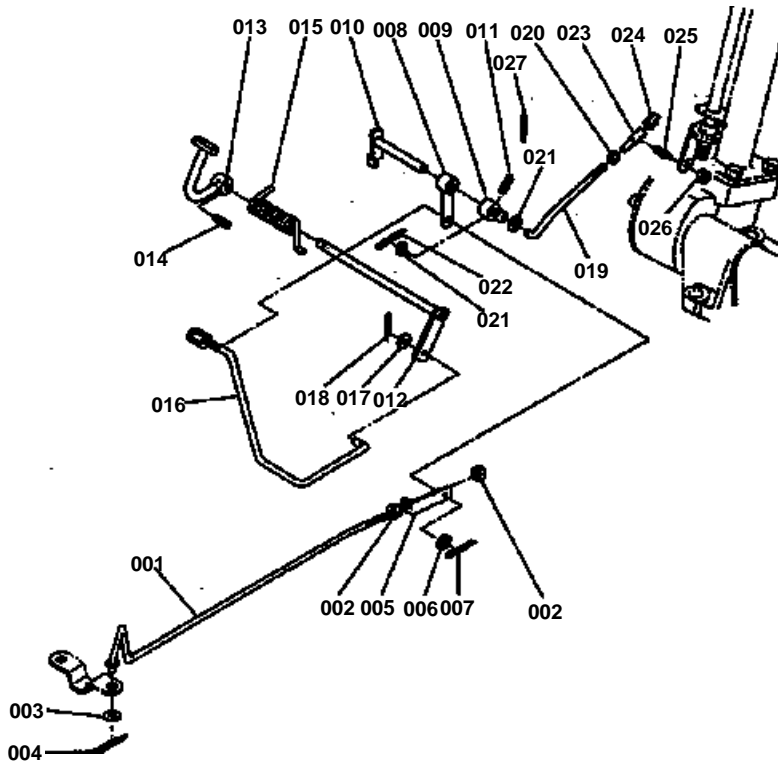
REF. M. 036300-0141-2



**FUEL TANK**

↔ Interchangeable; ≠ not interchangeable; ← new for old; → old for new

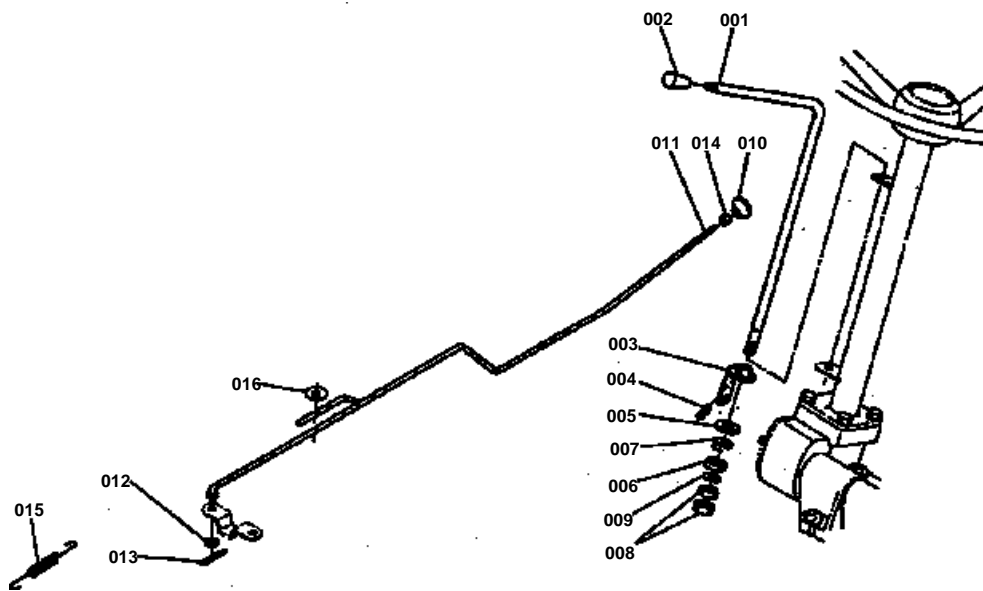
| REF.No | Part No. | Description | Q'ty | S.No. | I/C | REMARKS | Weight (kgf) | Weight (lb) |
|--------|-------------|----------------------|------|---------|-----|---------------------|--------------|-------------|
| 001 | 33251-04105 | ASSY TANK FUEL | 1 | | | | 12 | 26.4 |
| 002 | 14301-41260 | ASSY CAP TANK | 1 | | | | 0.063 | 0.1386 |
| 003 | 13251-41060 | FILTER FUEL | 1 | | | | 0.01 | 0.022 |
| 004 | 33251-04650 | CUSHION | 1 | | | | 0.09 | 0.198 |
| 005 | 33251-04440 | UNION | 1 | | | | 0.074 | 0.1628 |
| 006 | 06311-25040 | PLUG | 1 | | | | 0.09 | 0.198 |
| 007 | 04717-02150 | WASHER SEAL | 1 | | | | 0.004 | 0.0088 |
| 008 | 36300-04410 | PIPE FUEL 1 | 1 | | | | 0 | 0 |
| 008 | 36300-04412 | PIPE FUEL 1 | 1 | >=10001 | | | 0 | 0 |
| 008 | 36200-04410 | PIPE FUEL 1 | 1 | >=10001 | | | 0.009 | 0.0198 |
| 009 | 36300-04420 | PIPE FUEL 2 | 1 | | | | 0.056 | 0.1232 |
| 010 | 36300-04430 | PIPE FUEL 3 | 1 | | | | 0.1 | 0.22 |
| 011 | 02174-50120 | NUT | 2 | | | | 0.01 | 0.022 |
| 012 | 14301-42750 | CLIP PIPE | 6 | | | | 0.005 | 0.011 |
| 013 | 33251-04510 | ASSY SUPPORT FUEL TA | 1 | | | | 1.98 | 4.356 |
| 014 | 99999-99999 | BLANK | 0 | | | ORDER BY REF.No.013 | 0 | 0 |
| 015 | 33251-04560 | CUSHION | 4 | | | | 0.028 | 0.0616 |
| 016 | 33251-04540 | ASSY FUPPORT FUEL TA | 1 | | | | 1.98 | 4.356 |
| 017 | 99999-99999 | BLANK | 0 | | | ORDER BY REF No.016 | 0 | 0 |
| 018 | 33251-04560 | CUSHION | 4 | | | | 0.028 | 0.0616 |
| 019 | 01173-51250 | BOLT | 2 | | | | 0.053 | 0.1166 |
| 020 | 01574-51222 | STUD | 2 | | | | 0.032 | 0.0704 |
| 021 | 04512-50120 | WASHER SPRING | 4 | | | | 0 | 0 |
| 022 | 04011-50120 | WASHER PLAIN | 2 | | | | 0.005 | 0.011 |
| 023 | 33251-04660 | SPACER FUEL TANK SUP | 2 | | | | 0.108 | 0.2376 |
| 024 | 36200-04610 | SUPPORT TANK | 1 | | | | 3.1 | 6.82 |
| 025 | 01173-51020 | BOLT | 2 | | | | 0.017 | 0.0374 |
| 026 | 04512-50100 | WASHER SPRING | 2 | | | | 0 | 0 |
| 027 | 36200-04620 | BAND FUEL TANK RH | 1 | | | | 0 | 0 |
| 028 | 33251-04630 | BAND FUEL TANK LH | 1 | | | | 0.48 | 1.056 |
| 029 | 01173-51075 | BOLT | 1 | | | | 0.047 | 0.1034 |
| 030 | 02572-50100 | NUT SELF-LOCKING | 1 | | | | 0.008 | 0.0176 |
| 031 | 04011-50100 | WASHER PLAIN | 1 | | | | 0.002 | 0.0044 |
| 032 | 31220-35400 | COCK FUEL | 1 | | | | 0.11 | 0.242 |
| 033 | 99999-99999 | BLANK | 0 | | | ORDER BY REF.No.032 | 0 | 0 |
| 034 | 99999-99999 | BLANK | 0 | | | ORDER BY REF.No.032 | 0 | 0 |
| 035 | 32130-35430 | WASHER | 1 | | | | 0.001 | 0.0022 |
| 036 | 04611-00140 | CIR-CLIP INTERNAL | 1 | | | | 0.001 | 0.0022 |
| 037 | 05411-00330 | PIN SPRING | 1 | | | | 0.001 | 0.0022 |
| 038 | 04811-00080 | O RING | 1 | | | | 0.001 | 0.0022 |
| 039 | 04011-50120 | WASHER PLAIN | 2 | | | | 0.005 | 0.011 |
| 040 | 36200-04580 | ELEMENT 1 | 2 | | | | 0.012 | 0.0264 |
| 041 | 36200-04590 | ELEMENT 2 | 1 | | | | 0.005 | 0.011 |
| 042 | 36200-04680 | CUSHION | 1 | | | | 0.009 | 0.0198 |



**ACCEL ROD**

↔ Interchangeable; ≠ not interchangeable; ← new for old; → old for new

| REF.No | Part No. | Description | Q'ty | S.No. | I/C | REMARKS | Weight (kgf) | Weight (lb) |
|--------|-------------|---------------------|------|-------|-----|---------|--------------|-------------|
| 001 | 36300-10100 | ROD ACCELERATOR | 1 | | | | 0.13 | 0.286 |
| 002 | 02014-50060 | NUT | 2 | | | | 0.003 | 0.0066 |
| 003 | 04012-50060 | WASHER PLAIN | 3 | | | | 0.001 | 0.0022 |
| 004 | 05511-51615 | PIN SPLIT | 1 | | | | 0.001 | 0.0022 |
| 005 | 33430-10250 | END ACCEL ROD | 1 | | | | 0.025 | 0.055 |
| 006 | 04012-50060 | WASHER PLAIN | 1 | | | | 0.001 | 0.0022 |
| 007 | 05511-51615 | PIN SPLIT | 1 | | | | 0.001 | 0.0022 |
| 008 | 33300-10160 | LEVER PEDAL CONTROL | 1 | | | | 0.043 | 0.0946 |
| 009 | 33251-10170 | LEVER ACCEL CONTROL | 1 | | | | 0.035 | 0.077 |
| 010 | 33251-10210 | SHAFT ACCEL | 1 | | | | 0.067 | 0.1474 |
| 011 | 05411-00420 | PIN SPRING | 1 | | | | 0.001 | 0.0022 |
| 012 | 36200-10130 | SHAFT ACCEL PEDAL | 1 | | | | 0.16 | 0.352 |
| 013 | 36200-10240 | PEDAL ACCELERATOR | 1 | | | | 0.127 | 0.2794 |
| 014 | 05411-00520 | PIN SPRING | 1 | | | | 0.002 | 0.0044 |
| 015 | 33251-10280 | SPRING | 1 | | | | 0.065 | 0.143 |
| 016 | 36500-10150 | ROD ACCEL PEDAL | 1 | | | | 0.118 | 0.2596 |
| 017 | 04012-50050 | WASHER PLAIN | 1 | | | | 0.001 | 0.0022 |
| 018 | 05511-51615 | PIN SPLIT | 1 | | | | 0.001 | 0.0022 |
| 019 | 33251-10120 | ROD ACCELERATOR | 1 | | | | 0.02 | 0.044 |
| 020 | 02054-50050 | NUT | 1 | | | | 0.002 | 0.0044 |
| 021 | 04012-50050 | WASHER PLAIN | 2 | | | | 0.001 | 0.0022 |
| 022 | 05511-51615 | PIN SPLIT | 1 | | | | 0.001 | 0.0022 |
| 023 | 33251-10360 | JOINT ACCEL LEVER | 1 | | | | 0.015 | 0.033 |
| 024 | 33251-10370 | SPRING | 1 | | | | 0.002 | 0.0044 |
| 025 | 33251-10380 | PIN JOINT | 1 | | | | 0.005 | 0.011 |
| 026 | 02054-50050 | NUT | 1 | | | | 0.002 | 0.0044 |
| 027 | 05511-51208 | PIN SPLIT | 1 | | | | 0.001 | 0.0022 |

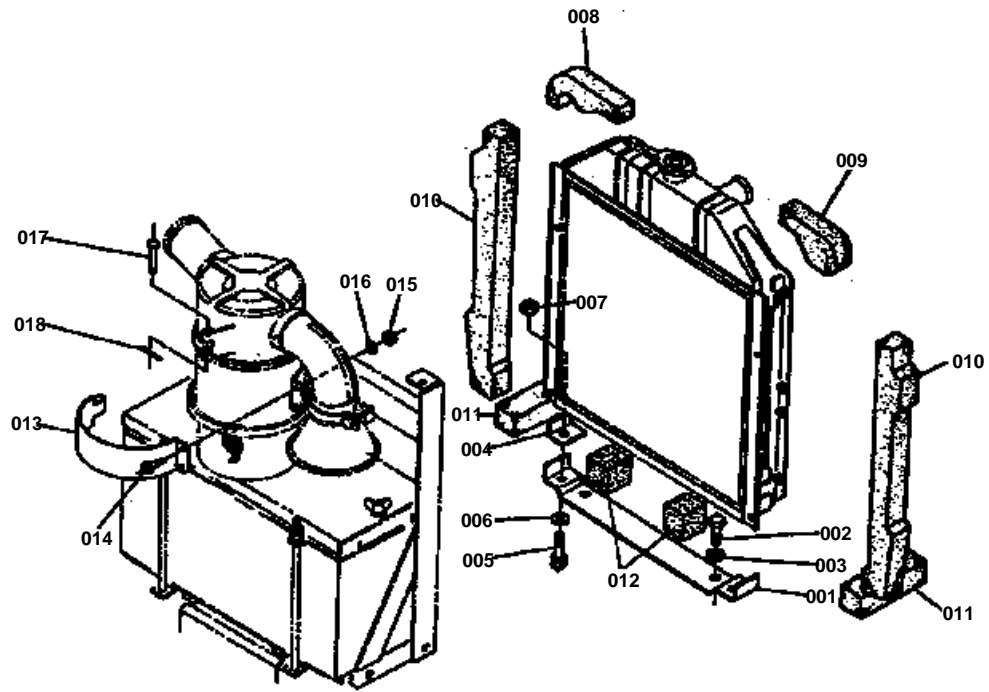


**HAND ACCEL**

↔ Interchangeable; ≠ not interchangeable; ← new for old; → old for new

| REF.No | Part No. | Description | Q'ty | S.No. | I/C | REMARKS | Weight (kgf) | Weight (lb) |
|--------|-------------|----------------------|------|-------|-----|---------|--------------|-------------|
| 001 | 33251-10220 | LEVER HAND ACCEL | 1 | | | | 0.6 | 1.32 |
| 002 | 33251-80170 | GRIP LEVER | 1 | | | | 0.008 | 0.0176 |
| 003 | 33251-10390 | ARM ACCEL LEVER | 1 | | | | 0.088 | 0.1936 |
| 004 | 05411-00620 | PIN SPRING | 1 | | | | 0.002 | 0.0044 |
| 005 | 33251-10260 | FRICTION PLATE ACCEL | 1 | | | | 0.003 | 0.0066 |
| 006 | 33251-10270 | CAP SPRING | 1 | | | | 0.01 | 0.022 |
| 007 | 33251-10320 | SPRING LEVER | 1 | | | | 0.012 | 0.0264 |
| 008 | 02172-50120 | NUT | 2 | | | | 0.01 | 0.022 |
| 009 | 04013-50120 | WASHER PLAIN | 1 | | | | 0 | 0 |
| 010 | 33430-10330 | GRIP | 1 | | | | 0.02 | 0.044 |
| 011 | 36300-10340 | ROD | 1 | | | | 0.21 | 0.462 |
| 012 | 04012-50060 | WASHER PLAIN | 2 | | | | 0.001 | 0.0022 |
| 013 | 05511-50215 | PIN SPLIT | 2 | | | | 0.001 | 0.0022 |
| 014 | 02014-50060 | NUT | 1 | | | | 0.003 | 0.0066 |
| 015 | 33300-10410 | SPRING | 1 | | | | 0.004 | 0.0088 |
| 016 | 04015-50060 | WASHER PLAIN | 1 | | | | 0 | 0 |

BATTERY SUPPORT

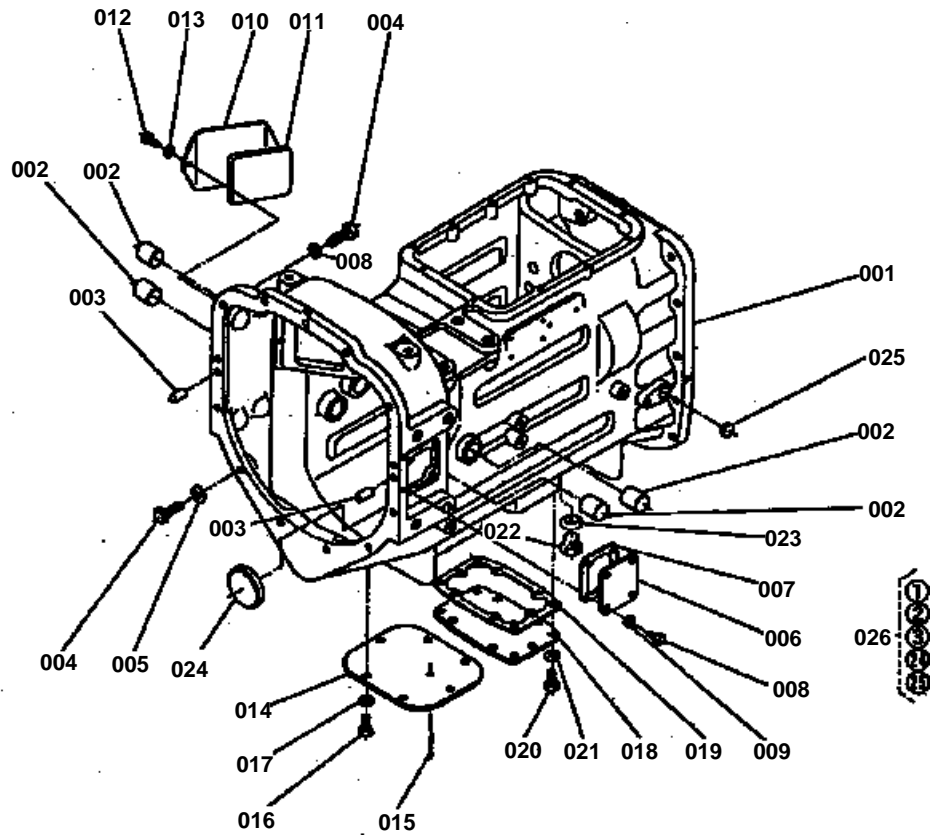


**BATTERY SUPPORT**

↔ Interchangeable; ≠ not interchangeable; ← new for old; → old for new

| REF.No | Part No. | Description | Q'ty | S.No. | I/C | REMARKS | Weight (kgf) | Weight (lb) |
|--------|-------------|------------------|------|-------|-----|---------|--------------|-------------|
| 001 | 36510-17110 | SUPPORT RADIATOR | 1 | | | | 0.73 | 1.606 |
| 002 | 01173-51225 | BOLT | 2 | | | | 0.033 | 0.0726 |
| 003 | 04512-50120 | WASHER SPRING | 2 | | | | 0 | 0 |
| 004 | 33251-17120 | CUSHION | 2 | | | | 0.005 | 0.011 |
| 005 | 01173-51025 | BOLT | 2 | | | | 0.021 | 0.0462 |
| 006 | 04011-50100 | WASHER PLAIN | 2 | | | | 0.002 | 0.0044 |
| 007 | 02116-50100 | NUT | 2 | | | | 0.004 | 0.0088 |
| 008 | 33251-17140 | ELEMENT | 1 | | | | 0.008 | 0.0176 |
| 009 | 33251-17150 | ELEMENT | 1 | | | | 0.012 | 0.0264 |
| 010 | 33251-17160 | ELEMENT | 2 | | | | 0.025 | 0.055 |
| 011 | 33251-17170 | ELEMENT | 2 | | | | 0.005 | 0.011 |
| 012 | 35450-17310 | ELEMENT 6 | 2 | | | | 0.01 | 0.022 |
| 013 | 36500-19112 | BAND AIR CLEANER | 1 | | | | 0.435 | 0.957 |
| 014 | 01153-50845 | BOLT | 2 | | | | 0.018 | 0.0396 |
| 015 | 02114-50080 | NUT | 2 | | | | 0.005 | 0.011 |
| 016 | 04512-50080 | WASHER SPRING | 2 | | | | 0 | 0 |
| 017 | 05122-51060 | PIN JOINT | 1 | | | | 0.038 | 0.0836 |
| 018 | 05511-50318 | PIN SPLIT | 1 | | | | 0.001 | 0.0022 |

CLUTCH HOUSING



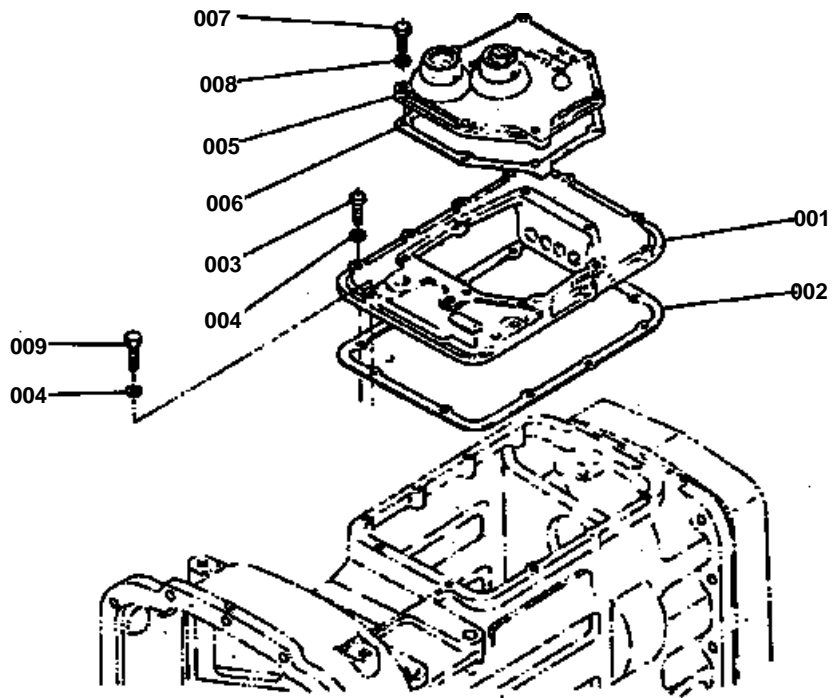


CLUTCH HOUSING

↔ Interchangeable; ≠ not interchangeable; ← new for old; → old for new

| REF.No | Part No. | Description | Q'ty | S.No. | I/C | REMARKS | Weight (kgf) | Weight (lb) |
|--------|-------------|---------------------|------|-------|-----|---------------------|--------------|-------------|
| 001 | 99999-99999 | BLANK | 0 | | | ORDER BY REF.No.026 | 0 | 0 |
| 002 | 36200-21130 | BUSH | 4 | | | | 0.003 | 0.0066 |
| 003 | 05012-01020 | PIN STRAIGHT | 2 | | | | 0.02 | 0.044 |
| 004 | 01173-51240 | BOLT | 13 | | | | 0.045 | 0.099 |
| 005 | 04512-50120 | WASHER SPRING | 13 | | | | 0 | 0 |
| 006 | 36200-21140 | COVER | 1 | | | | 0.19 | 0.418 |
| 007 | 36200-21150 | GASKET | 1 | | | | 0.005 | 0.011 |
| 008 | 01153-50818 | BOLT | 4 | | | | 0.01 | 0.022 |
| 009 | 04512-50080 | WASHER SPRING | 4 | | | | 0 | 0 |
| 010 | 36200-21160 | COVER | 1 | | | | 0.47 | 1.034 |
| 011 | 36200-21170 | GASKET | 1 | | | | 0 | 0 |
| 012 | 01153-50818 | BOLT | 2 | | | | 0.01 | 0.022 |
| 013 | 04512-50080 | WASHER SPRING | 2 | | | | 0 | 0 |
| 014 | 35450-21180 | COVER HOUSING | 1 | | | | 1.2 | 2.64 |
| 015 | 05511-50425 | PIN SPLIT | 1 | | | | 0.003 | 0.0066 |
| 016 | 01173-51022 | BOLT | 6 | | | | 0.019 | 0.0418 |
| 017 | 04512-50100 | WASHER SPRING | 6 | | | | 0 | 0 |
| 019 | 36200-21220 | GASKET | 1 | | | | 0 | 0 |
| 021 | 04512-50100 | WASHER SPRING | 8 | | | | 0 | 0 |
| 022 | 06331-35020 | PLUG | 1 | | | | 0.068 | 0.1496 |
| 023 | 04717-02000 | WASHER SEAL | 1 | | | | 0.004 | 0.0088 |
| 024 | 36200-21230 | PLUG | 1 | | | | 0.039 | 0.0858 |
| 026 | 36200-21100 | ASSY HOUSING CLUTCH | 1 | | | | 100 | 220 |

CHANGE COVER



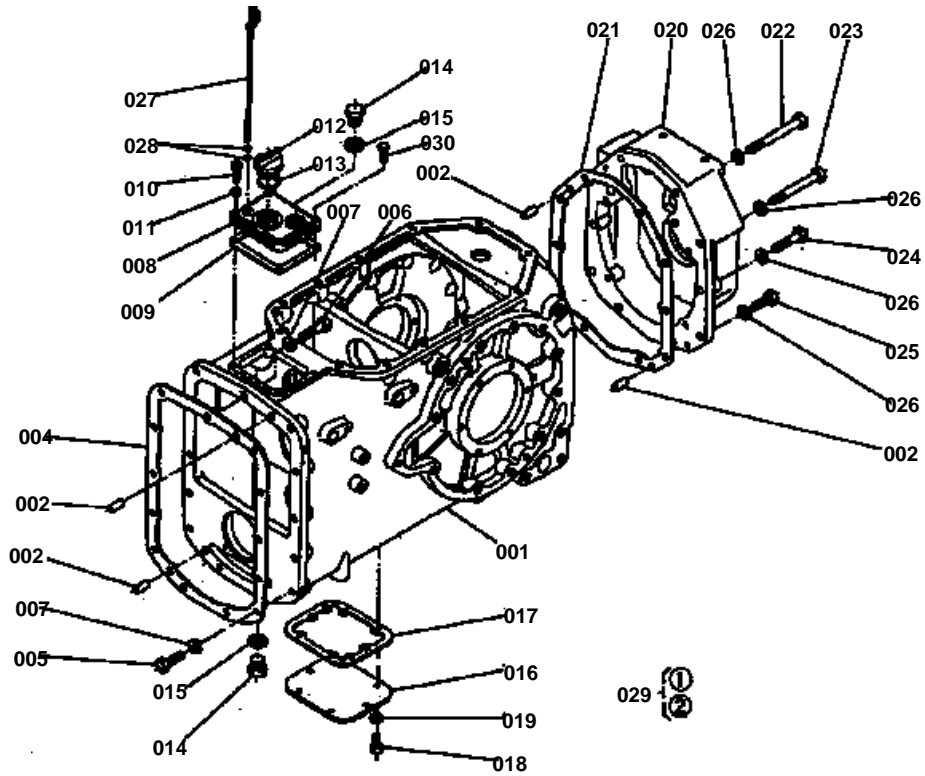


CHANGE COVER

↔ Interchangeable; ≠ not interchangeable; ← new for old; → old for new

| REF.No | Part No. | Description | Q'ty | S.No. | I/C | REMARKS | Weight (kgf) | Weight (lb) |
|--------|-------------|--------------------|------|---------|-----|---------|--------------|-------------|
| 001 | 36200-21250 | COVER SPEED CHANGE | 1 | <=10401 | | | 0 | 0 |
| 001 | 36200-21254 | COVER SPEED CHANGE | 1 | >=10001 | | | 5 | 11 |
| 002 | 36200-21260 | GASKET | 1 | | | | 0 | 0 |
| 003 | 01153-50828 | BOLT | 10 | | | | 0.014 | 0.0308 |
| 004 | 04512-50080 | WASHER SPRING | 11 | | | | 0 | 0 |
| 005 | 36200-21270 | BASE SPEED CHANGE | 1 | | | | 2.06 | 4.532 |
| 006 | 36200-21280 | GASKET | 1 | | | | 0.005 | 0.011 |
| 007 | 01153-50825 | BOLT | 7 | | | | 0.012 | 0.0264 |
| 008 | 04512-50080 | WASHER SPRING | 7 | | | | 0 | 0 |
| 009 | 01153-50830 | BOLT | 1 | | | | 0 | 0 |

TRANSMISSION

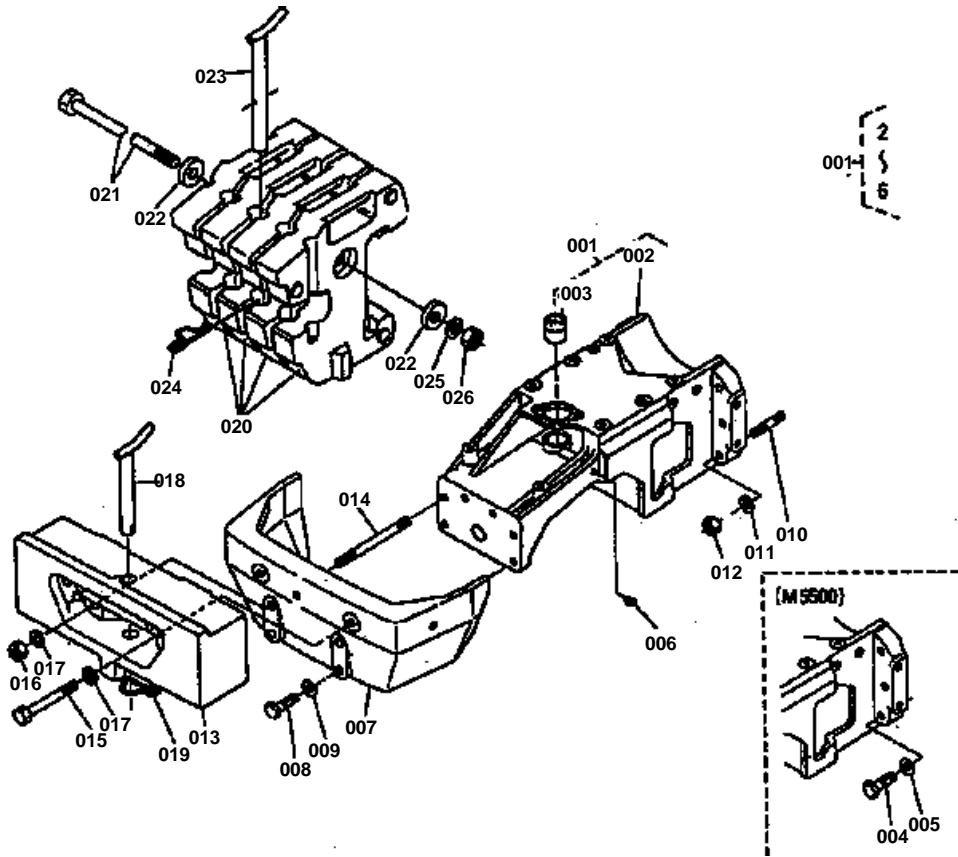


**TRANSMISSION**

↔ Interchangeable; ≠ not interchangeable; ← new for old; → old for new

| REF.No | Part No. | Description | Q'ty | S.No. | I/C | REMARKS | Weight (kgf) | Weight (lb) |
|--------|-------------|----------------------|------|---------|-----|---------------------|--------------|-------------|
| 001 | 99999-99999 | BLANK | 0 | | | ORDER BY REF.No.029 | 0 | 0 |
| 002 | 05012-01325 | PIN STRAIGHT | 4 | | | | 0.028 | 0.0616 |
| 003 | 99999-99999 | BLANK | 0 | | | | 0 | 0 |
| 004 | 36200-21320 | GASKET | 2 | | | | 0.022 | 0.0484 |
| 005 | 01173-51240 | BOLT | 12 | | | | 0.045 | 0.099 |
| 006 | 01173-51250 | BOLT | 1 | | | | 0.053 | 0.1166 |
| 007 | 04512-50120 | WASHER SPRING | 13 | | | | 0 | 0 |
| 008 | 36200-21340 | COVER TRANSMISSION | 1 | | | | 0 | 0 |
| 009 | 36200-21350 | GASKET | 1 | | | | 0.004 | 0.0088 |
| 010 | 01153-50828 | BOLT | 4 | | | [A][AU] | 0.014 | 0.0308 |
| 010 | 01153-50828 | BOLT | 3 | >=10001 | | [A][AU] | 0.014 | 0.0308 |
| 010 | 01153-50828 | BOLT | 4 | | | EXCEPT [A][AU] | 0.014 | 0.0308 |
| 011 | 04512-50080 | WASHER SPRING | 4 | | | | 0 | 0 |
| 012 | 32240-21410 | PLUG | 1 | | | | 0.005 | 0.011 |
| 012 | 38240-21410 | PLUG | 1 | >=10001 | | | 0.015 | 0.033 |
| 013 | 04811-50300 | O RING | 1 | | | | 0.001 | 0.0022 |
| 014 | 06331-35020 | PLUG | 2 | | | | 0.068 | 0.1496 |
| 015 | 04717-02000 | WASHER SEAL | 2 | | | | 0.004 | 0.0088 |
| 016 | 36200-21380 | COVER TRANSMISSION | 1 | | | | 0.87 | 1.914 |
| 017 | 36200-21390 | GASKET | 1 | | | | 0.006 | 0.0132 |
| 018 | 01173-51022 | BOLT | 6 | | | | 0.019 | 0.0418 |
| 019 | 04512-50100 | WASHER SPRING | 6 | | | | 0 | 0 |
| 020 | 36200-21410 | COVER TRANSMISSION | 1 | | | | 0 | 0 |
| 021 | 36200-21420 | GASKET | 1 | | | | 0 | 0 |
| 022 | 01173-51203 | BOLT | 2 | | | | 0.106 | 0.2332 |
| 023 | 01173-51201 | BOLT | 2 | | | | 0.094 | 0.2068 |
| 024 | 01173-51255 | BOLT | 2 | | | | 0.057 | 0.1254 |
| 025 | 01173-51235 | BOLT | 4 | | | | 0.04 | 0.088 |
| 026 | 04512-50120 | WASHER SPRING | 10 | | | | 0 | 0 |
| 027 | 36200-21510 | GAUGE OIL | 1 | | | EXCEPT [NZ][AU] | 0 | 0 |
| 027 | 35466-21510 | GAUGE OIL | 1 | | | [NZ][AU] | 0.03 | 0.066 |
| 028 | 04811-00050 | O RING | 2 | | | | 0.001 | 0.0022 |
| 029 | 36200-21300 | ASSY CASE TRANSMISSI | 1 | | | | 104 | 228.8 |
| 030 | 01153-50835 | BOLT | 1 | >=10502 | | [A][AU] | 0.016 | 0.0352 |

FRONT AXLE



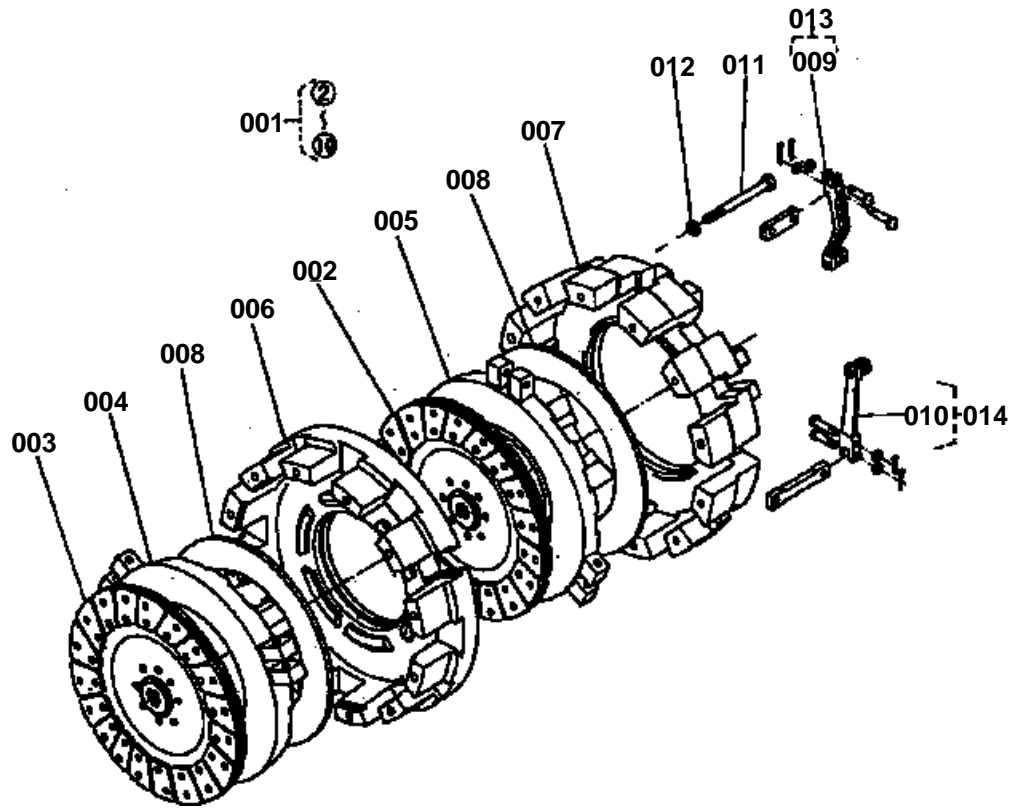


FRONT AXLE

↔ Interchangeable; ≠ not interchangeable; ← new for old; → old for new

| REF.No | Part No. | Description | Q'ty | S.No. | I/C | REMARKS | Weight (kgf) | Weight (lb) |
|--------|-------------|----------------------|------|-------|-----|---------------------|--------------|-------------|
| 001 | 36580-21700 | ASSY BRACKET FRONT A | 1 | | | | 0 | 0 |
| 002 | 99999-99999 | BLANK | 0 | | | ORDER BY REF.No.001 | 0 | 0 |
| 003 | 36280-21720 | BUSH | 1 | | | | 0.07 | 0.154 |
| 004 | 36500-21740 | BOLT | 6 | | | | 0.135 | 0.297 |
| 005 | 04512-50160 | WASHER SPRING | 6 | | | | 0 | 0 |
| 006 | 06613-10010 | NIPPLE GREASE | 1 | | | | 0.006 | 0.0132 |
| 007 | 36200-21760 | BUMPER FRONT | 1 | | | | 0 | 0 |
| 008 | 01173-51665 | BOLT | 4 | | | | 0.117 | 0.2574 |
| 009 | 04512-50160 | WASHER SPRING | 4 | | | | 0 | 0 |
| 010 | 36580-21730 | STUD | 6 | | | | 0.131 | 0.2882 |
| 011 | 36500-49410 | SPRING | 6 | | | | 0.024 | 0.0528 |
| 012 | 36500-49390 | NUT | 6 | | | | 0.043 | 0.0946 |
| 013 | 36510-21780 | BRACKET WEIGHT | 1 | | | [NZ][AU] | 0 | 0 |
| 014 | 99651-17110 | STUD | 2 | | | [NZ][AU] | 0.238 | 0.5236 |
| 015 | 01173-51607 | BOLT | 2 | | | [NZ][AU] | 0.222 | 0.4884 |
| 016 | 02176-50160 | NUT | 2 | | | [NZ][AU] | 0.021 | 0.0462 |
| 017 | 04512-50160 | WASHER SPRING | 4 | | | [NZ][AU] | 0 | 0 |
| 018 | 99651-17210 | PIN HITCH | 1 | | | [NZ][AU] | 0.8 | 1.76 |
| 019 | 99651-17220 | PIN STOPPER | 1 | | | [NZ][AU] | 0.032 | 0.0704 |
| 020 | 99651-12110 | WEIGHT FRONT | 8 | | | [NZ][AU] | 25 | 55 |
| 021 | 35452-21810 | BOLT | 1 | | | [NZ][AU] | 0.755 | 1.661 |
| 022 | 99651-12140 | WASHER | 2 | | | [NZ][AU] | 0.15 | 0.33 |
| 023 | 99651-12210 | PIN HITCH | 1 | | | [NZ][AU] | 0 | 0 |
| 024 | 99651-17220 | PIN STOPPER | 1 | | | [NZ][AU] | 0.032 | 0.0704 |
| 025 | 04512-50160 | WASHER SPRING | 1 | | | [NZ][AU] | 0 | 0 |
| 026 | 02174-50160 | NUT | 1 | | | [NZ][AU] | 0.022 | 0.0484 |

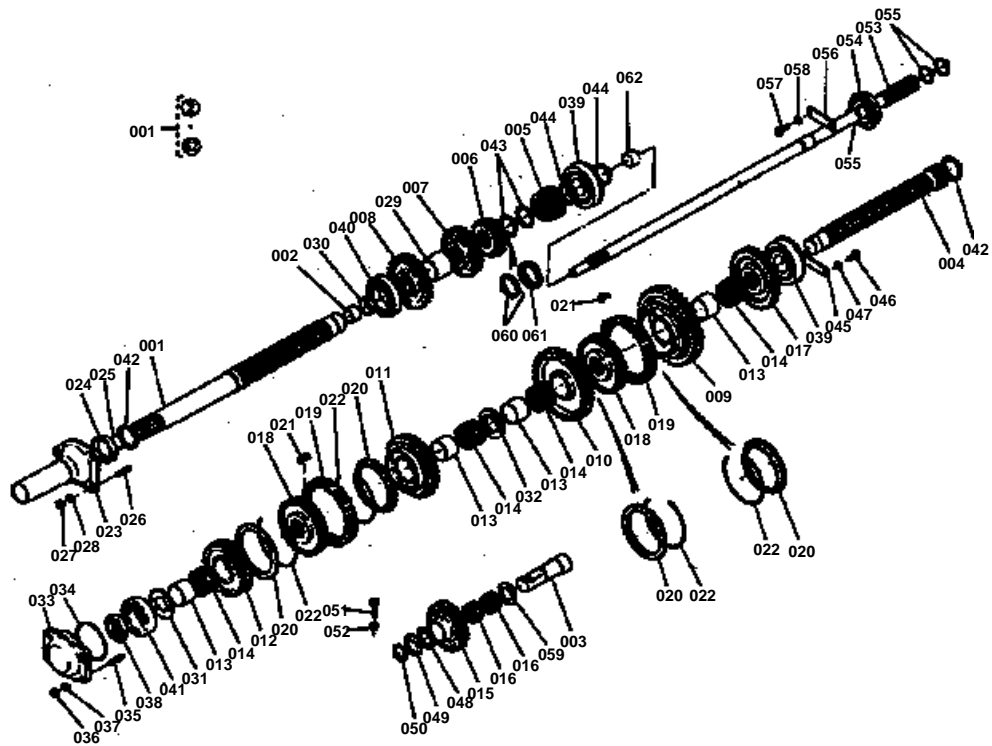
CLUTCH



**CLUTCH**

↔ Interchangeable; ≠ not interchangeable; ← new for old; → old for new

| REF.No | Part No. | Description | Q'ty | S.No. | I/C | REMARKS | Weight (kgf) | Weight (lb) |
|--------|-------------|--------------------|------|---------|-----|---------------------|--------------|-------------|
| 001 | 36200-25102 | ASSY CLUTCH | 1 | <=10330 | | | 0 | 0 |
| 001 | 36200-25103 | ASSY CLUTCH | 1 | >=10331 | | | 0 | 0 |
| 002 | 36200-25132 | DISK CLUTCH | 1 | | | | 0 | 0 |
| 003 | 36200-25140 | DISK PTO CLUTCH | 1 | | | | 0 | 0 |
| 004 | 36200-25150 | PLATE PRESSURE | 1 | | | | 4.15 | 9.13 |
| 005 | 36200-25220 | PLATE PRESSURE | 1 | | | | 5 | 11 |
| 006 | 36200-25162 | COVER CLUTCH (PTO) | 1 | | | | 0 | 0 |
| 007 | 36200-25192 | COVER CLUTCH | 1 | | | | 7.5 | 16.5 |
| 008 | 36200-25210 | SPRING | 2 | | | | 0.882 | 1.9404 |
| 009 | 99999-99999 | BLANK | 0 | | | ORDER BY REF.No.013 | 0 | 0 |
| 010 | 99999-99999 | BLANK | 0 | | | ORDER BY REF.No.014 | 0 | 0 |
| 011 | 01053-50800 | BOLT | 12 | | | | 0.036 | 0.0792 |
| 012 | 04512-50080 | WASHER SPRING | 12 | | | | 0 | 0 |
| 013 | 36200-25230 | KIT LEVER 1 | 1 | >=10001 | | | 0.71 | 1.562 |
| 014 | 36200-25240 | KIT LEVER 2 | 1 | >=10001 | | | 0.54 | 1.188 |





↔ Interchangeable; ≠ not interchangeable; ← new for old; → old for new

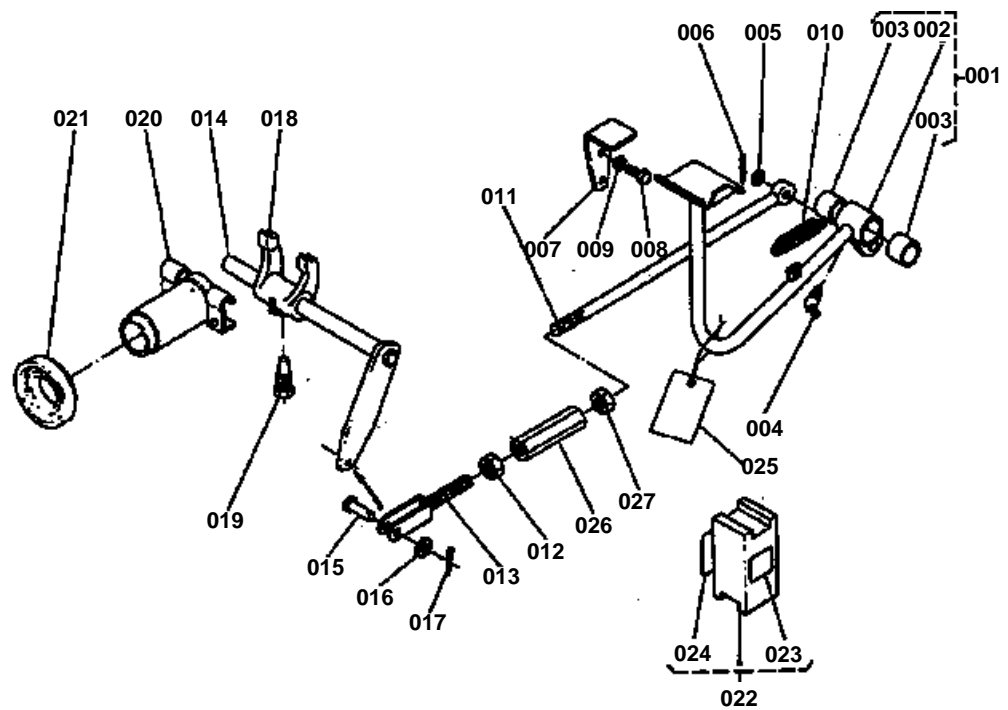
| REF.No | Part No. | Description | Q'ty | S.No. | I/C | REMARKS | Weight (kgf) | Weight (lb) |
|--------|-------------|--------------------|------|--------|-----|---------|--------------|-------------|
| 001 | 36200-28114 | SHAFT 1ST | 1 | ≤10635 | | | 3.2 | 7.04 |
| 001 | 36200-97460 | SHAFT 1ST | 1 | ≥10001 | | | 0 | 0 |
| 002 | 33251-28640 | BUSH | 1 | | | | 0.018 | 0.0396 |
| 003 | 36200-28154 | SHAFT | 1 | | | | 0.68 | 1.496 |
| 004 | 36200-28160 | COUNTERSHAFT | 1 | | | | 2.75 | 6.05 |
| 005 | 36200-28210 | GEAR SPUR 17 | 1 | | | | 0.41 | 0.902 |
| 006 | 36200-28220 | GEAR HELICAL 18 | 1 | | | | 0.5 | 1.1 |
| 007 | 36200-28230 | GEAR HELICAL 25 | 1 | | | | 0.86 | 1.892 |
| 008 | 36200-28240 | GEAR HELICAL 30 | 1 | | | | 0 | 0 |
| 009 | 36300-28260 | GEAR SPUR 46 | 1 | | | | 2.88 | 6.336 |
| 010 | 36500-28270 | GEAR HELICAL 40 | 1 | | | | 0 | 0 |
| 011 | 36200-28280 | GEAR HELICAL 33 | 1 | | | | 0 | 0 |
| 012 | 36200-28290 | GEAR HELICAL 29 | 1 | | | | 0 | 0 |
| 013 | 36200-28330 | RING | 4 | | | | 0.088 | 0.1936 |
| 014 | 36200-28340 | BEARING NEEDLE | 4 | | | | 0 | 0 |
| 015 | 36200-28350 | GEAR SPUR 28 | 1 | | | | 0.92 | 2.024 |
| 016 | 36200-28360 | BEARING NEEDLE | 2 | | | | 0.053 | 0.1166 |
| 017 | 36200-28370 | GEAR SPUR 35 | 1 | | | | 1.64 | 3.608 |
| 018 | 36200-28380 | COUPLING | 2 | | | | 0 | 0 |
| 019 | 36200-28390 | SHIFTER | 2 | | | | 0.696 | 1.5312 |
| 020 | 36200-28410 | RING | 4 | | | | 0 | 0 |
| 021 | 36200-28420 | KEY | 6 | | | | 0 | 0 |
| 022 | 36200-28430 | SPRING | 4 | | | | 0 | 0 |
| 023 | 36200-28513 | ASSY CASE BEARING | 1 | | | | 1.48 | 3.256 |
| 024 | 09404-56510 | SEAL OIL | 1 | | | | 0 | 0 |
| 025 | 04811-50900 | O RING | 1 | | | | 0.003 | 0.0066 |
| 026 | 01513-50825 | STUD | 3 | | | | 0 | 0 |
| 027 | 02114-50080 | NUT | 3 | | | | 0.005 | 0.011 |
| 028 | 04512-50080 | WASHER SPRING | 3 | | | | 0 | 0 |
| 029 | 36200-28560 | COLLAR | 1 | | | | 0.156 | 0.3432 |
| 030 | 33251-28650 | SEAL SHAFT | 1 | | | | 0 | 0 |
| 031 | 36200-28610 | COLLAR THRUST 1 | 1 | | | | 0.048 | 0.1056 |
| 032 | 36200-28620 | COLLAR THRUST 2 | 1 | | | | 0.124 | 0.2728 |
| 033 | 36200-28630 | COVER COUNTERSHAFT | 1 | | | | 0.7 | 1.54 |
| 034 | 04811-50800 | O RING | 1 | | | | 0.003 | 0.0066 |
| 035 | 01513-50825 | STUD | 3 | | | | 0 | 0 |
| 036 | 02114-50080 | NUT | 3 | | | | 0.005 | 0.011 |
| 037 | 04512-50080 | WASHER SPRING | 3 | | | | 0 | 0 |
| 038 | 39141-14750 | NUT | 1 | | | | 0.108 | 0.2376 |
| 039 | 08151-06308 | BEARING BALL | 2 | | | | 0.64 | 1.408 |
| 040 | 08101-06209 | BEARING BALL | 1 | | | | 0.42 | 0.924 |
| 041 | 08101-06307 | BEARING BALL | 1 | | | | 0.44 | 0.968 |
| 042 | 04612-00450 | CIR-CLIP EXTERNAL | 2 | | | | 0.007 | 0.0154 |
| 043 | 04612-00420 | CIR-CLIP EXTERNAL | 2 | | | | 0.006 | 0.0132 |
| 044 | 04612-00400 | CIR-CLIP EXTERNAL | 2 | | | | 0.005 | 0.011 |
| 045 | 36200-28680 | RETAINER BEARING | 1 | | | | 0.058 | 0.1276 |
| 046 | 01153-50818 | BOLT | 2 | | | | 0.01 | 0.022 |
| 047 | 04512-50080 | WASHER SPRING | 2 | | | | 0 | 0 |
| 048 | 36200-28710 | COLLAR THRUST 3 | 1 | | | | 0.024 | 0.0528 |
| 049 | 36200-28720 | COLLAR | 1 | | | | 0.009 | 0.0198 |
| 050 | 04612-00300 | CIR-CLIP EXTERNAL | 1 | | | | 0.003 | 0.0066 |
| 051 | 36200-28730 | BOLT | 1 | | | | 0.025 | 0.055 |
| 052 | 02116-50100 | NUT | 1 | | | | 0.004 | 0.0088 |
| 053 | 36500-25610 | SHAFT PTO | 1 | ≤10635 | | | 0 | 0 |
| 053 | 36500-97470 | SHAFT PTO | 1 | ≥10001 | | | 3.22 | 7.084 |
| 054 | 08151-06306 | BEARING BALL | 1 | | | | 0.36 | 0.792 |
| 055 | 04612-00300 | CIR-CLIP EXTERNAL | 3 | | | | 0.003 | 0.0066 |
| 056 | 36200-25650 | RETAINER BEARING | 1 | | | | 0 | 0 |
| 057 | 01153-50818 | BOLT | 2 | | | | 0.01 | 0.022 |



↔ Interchangeable; ≠ not interchangeable; ← new for old; → old for new

| REF.No | Part No. | Description | Q'ty | S.No. | I/C | REMARKS | Weight (kgf) | Weight (lb) |
|--------|-------------|-----------------|------|---------|-----|---------|--------------|-------------|
| 058 | 04512-50080 | WASHER SPRING | 2 | | | | 0 | 0 |
| 058 | 04411-50080 | WASHER SPRING | 2 | >=10001 | | | 0.001 | 0.0022 |
| 059 | 36200-28740 | COLLAR THRUST 4 | 1 | | | | 0.026 | 0.0572 |
| 060 | 36200-28130 | COLLAR SET 1 | 1 | | | | 0.06 | 0.132 |
| 061 | 36200-28140 | COLLAR SET 2 | 1 | | | | 0.062 | 0.1364 |
| 062 | 36330-28120 | BUSH | 1 | >=10636 | | | 0.02 | 0.044 |

CLUTCH PEDAL

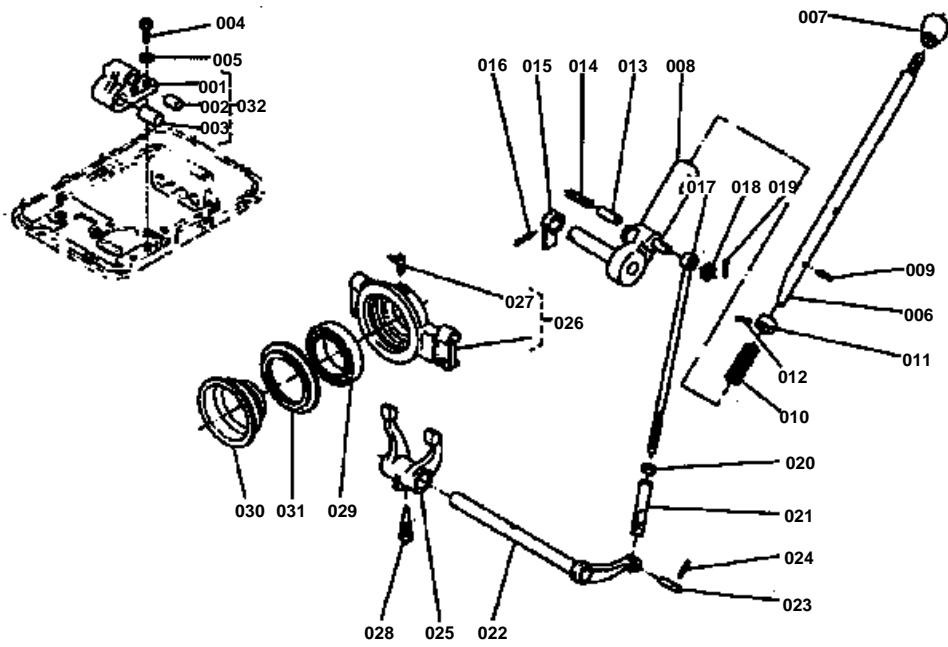


**CLUTCH PEDAL**

↔ Interchangeable; ≠ not interchangeable; ← new for old; → old for new

| REF.No | Part No. | Description | Q'ty | S.No. | I/C | REMARKS | Weight (kgf) | Weight (lb) |
|--------|-------------|----------------------|------|--------|-----|---------------------|--------------|-------------|
| 001 | 36200-26102 | ASSY PEDAL CLUTCH | 1 | | | | 2.4 | 5.28 |
| 002 | 99999-99999 | BLANK | 0 | | | ORDER BY REF.No.001 | 0 | 0 |
| 003 | 32150-28440 | BUSH | 2 | | | | 0.043 | 0.0946 |
| 004 | 06613-20010 | NIPPLE GREASH | 1 | | | | 0.01 | 0.022 |
| 005 | 04011-50120 | WASHER PLAIN | 1 | | | | 0.005 | 0.011 |
| 006 | 05511-50318 | PIN SPLIT | 1 | | | | 0.001 | 0.0022 |
| 007 | 36200-26142 | STOPPER CLUTCH PEBAL | 1 | | | | 0.18 | 0.396 |
| 008 | 01173-51020 | BOLT | 2 | | | | 0.017 | 0.0374 |
| 009 | 04512-50100 | WASHER SPRING | 2 | | | | 0 | 0 |
| 010 | 37150-15840 | SPRING | 1 | ≤10401 | | | 0.06 | 0.132 |
| 010 | 36200-26150 | SPRING | 1 | ≥10402 | | | 0.125 | 0.275 |
| 011 | 36200-26172 | ROD CLUTCH PEBAL | 1 | | | | 0.29 | 0.638 |
| 012 | 02172-50120 | NUT | 1 | | | | 0.01 | 0.022 |
| 013 | 36200-67410 | ROD BRAKE 1 | 1 | | | | 0.1 | 0.22 |
| 014 | 36200-26200 | ASSY LEVER CLUTCH CO | 1 | | | | 1.36 | 2.992 |
| 015 | 05122-51028 | PIN JOINT | 1 | | | | 0 | 0 |
| 016 | 04011-50100 | WASHER PLAIN | 1 | | | | 0.002 | 0.0044 |
| 017 | 05511-50318 | PIN SPLIT | 1 | | | | 0.001 | 0.0022 |
| 018 | 33400-26190 | FORK 1 | 1 | | | | 0.62 | 1.364 |
| 019 | 33251-26350 | BOLT SET | 1 | | | | 0.045 | 0.099 |
| 020 | 36200-26300 | ASSY HUB CLUTCH RELE | 1 | | | | 0.83 | 1.826 |
| 021 | 36200-26410 | BEARING CLUTCH RELEA | 1 | | | | 0.504 | 1.1088 |
| 022 | 35410-26900 | ASSY PIECE DISTANCE | 1 | | | | 0.07 | 0.154 |
| 023 | 36200-26940 | MARK SPACER | 1 | | | | 0.001 | 0.0022 |
| 024 | 32170-15930 | LABEL A | 1 | | | | 0.001 | 0.0022 |
| 025 | 35410-26960 | CARD INSTRUCTION | 1 | | | | 0.001 | 0.0022 |
| 026 | 37720-28980 | BUCKLE TURN | 1 | | | | 0.099 | 0.2178 |
| 027 | 37720-28990 | NUT | 1 | | | | 0.008 | 0.0176 |

LEVER

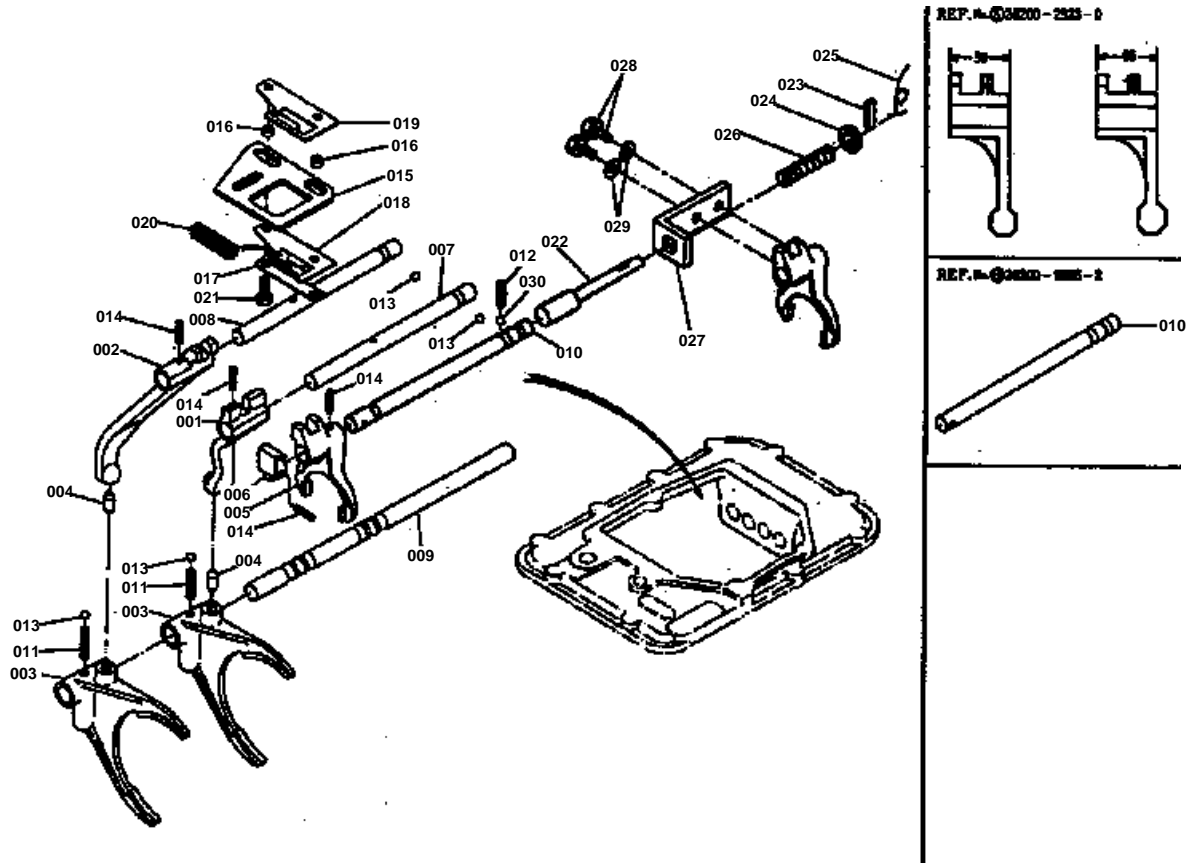


**LEVER**

↔ Interchangeable; ≠ not interchangeable; ← new for old; → old for new

| REF.No | Part No. | Description | Q'ty | S.No. | I/C | REMARKS | Weight (kgf) | Weight (lb) |
|--------|-------------|----------------------|------|-------|-----|----------------------|--------------|-------------|
| 001 | 99999-99999 | BLANK | 0 | | | ORDDER BY REF.No.032 | 0 | 0 |
| 002 | 33400-21880 | BUSH | 1 | | | | 0.012 | 0.0264 |
| 003 | 33400-21890 | BUSH | 2 | | | | 0.019 | 0.0418 |
| 004 | 01173-51030 | BOLT | 2 | | | | 0.023 | 0.0506 |
| 005 | 04512-50100 | WASHER SPRING | 2 | | | | 0 | 0 |
| 006 | 33400-26510 | LEVER | 1 | | | | 0.54 | 1.188 |
| 007 | 33251-29620 | GRIP | 1 | | | | 0.057 | 0.1254 |
| 008 | 33400-26530 | ASSY GUIDE LEVER | 1 | | | | 0.765 | 1.683 |
| 009 | 05411-00628 | PIN SPRING | 1 | | | | 0.004 | 0.0088 |
| 010 | 33400-26570 | SPRING | 1 | | | | 0.01 | 0.022 |
| 011 | 33400-26580 | CIR-CLIP | 1 | | | | 0.022 | 0.0484 |
| 012 | 05411-00425 | PIN SPRING | 1 | | | | 0.001 | 0.0022 |
| 013 | 33251-80250 | HOLDER S-CLEVER | 1 | | | | 0.013 | 0.0286 |
| 014 | 33400-26590 | SPRING | 1 | | | | 0.002 | 0.0044 |
| 015 | 36200-26610 | WASHER | 1 | | | | 0.04 | 0.088 |
| 016 | 05411-00430 | PIN SPRING | 1 | | | | 0.002 | 0.0044 |
| 017 | 36200-26630 | ROD CLUTH CONTROL | 1 | | | | 0.14 | 0.308 |
| 018 | 04011-50120 | WASHER PLAIN | 1 | | | | 0.005 | 0.011 |
| 019 | 05511-50320 | PIN SPLIT | 1 | | | | 0.002 | 0.0044 |
| 020 | 02116-50100 | NUT | 1 | | | | 0.004 | 0.0088 |
| 021 | 33400-26640 | JOINT CONTROL ROD | 1 | | | | 0.94 | 2.068 |
| 022 | 36200-26660 | ASSY SHAFT LEVER | 1 | | | | 1.24 | 2.728 |
| 023 | 33400-26690 | PIN SPRING | 1 | | | | 0.017 | 0.0374 |
| 024 | 05411-00325 | PIN SPRING | 1 | | | | 0.001 | 0.0022 |
| 025 | 33400-26710 | FORK 2 | 1 | | | | 0.71 | 1.562 |
| 026 | 33400-26730 | ASSY COUPLING RELEAS | 1 | | | | 1.06 | 2.332 |
| 027 | 06613-30010 | NIPPLE GREASE | 1 | | | | 0.01 | 0.022 |
| 028 | 33251-26350 | BOLT SET | 1 | | | | 0.045 | 0.099 |
| 029 | 08101-16013 | BEARING | 1 | | | | 0.29 | 0.638 |
| 030 | 33400-26770 | HUB CLUTCH RELEASE 2 | 1 | | | | 0.65 | 1.43 |
| 031 | 33400-26780 | COVER RELEASE BEARIN | 1 | | | | 0.028 | 0.0616 |
| 032 | 33400-26800 | ASSY BRACKET | 1 | | | | 0.69 | 1.518 |

1 2 SHIFT LEVER

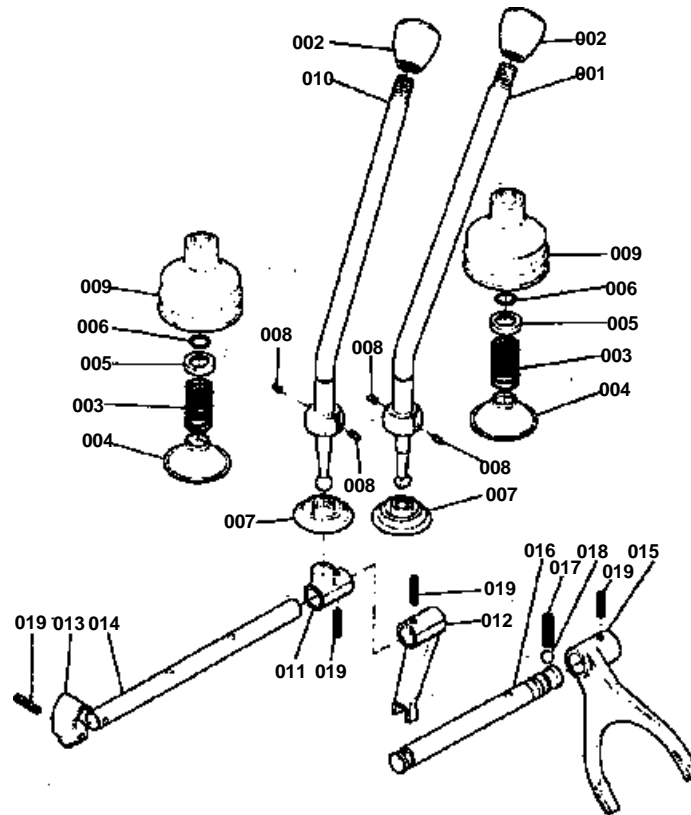


**1 2 SHIFT LEVER**

↔ Interchangeable; ≠ not interchangeable; ← new for old; → old for new

| REF.No | Part No. | Description | Q'ty | S.No. | I/C | REMARKS | Weight (kgf) | Weight (lb) |
|--------|-------------|---------------------|------|--------|-----|---------|--------------|-------------|
| 001 | 36200-29110 | LEVER SHIFT 1.2 | 1 | | | | 0.354 | 0.7788 |
| 002 | 36200-29120 | LEVER SHIFT 3.4 | 1 | | | | 0.41 | 0.902 |
| 003 | 36200-29140 | FORK 1 2 3 4 | 2 | | | | 0 | 0 |
| 004 | 36200-29150 | PIN SET | 2 | | | | 0.01 | 0.022 |
| 005 | 36200-29162 | FORK REVERSE SHIFT | 1 | ≤10401 | | | 0 | 0 |
| 005 | 36200-29230 | FORK REVERSE SHIFT | 1 | ≥10402 | | | 0.99 | 2.178 |
| 006 | 36200-29170 | SLEEVE REVERSE LAMP | 1 | | | | 0.039 | 0.0858 |
| 007 | 36200-29210 | ROD SHIFT 1.2 | 1 | | | | 0.348 | 0.7656 |
| 008 | 36200-29220 | ROD SHIFT 3.4 | 1 | | | | 0.356 | 0.7832 |
| 009 | 36200-29240 | ROD SHIFT 1 2 3 4 | 1 | | | | 0.898 | 1.9756 |
| 010 | 36200-29260 | ROD SHIFT | 1 | ≤10401 | | | 0 | 0 |
| 010 | 36200-29263 | ROD SHIFT | 1 | ≥10402 | | | 0 | 0 |
| 011 | 33251-29410 | SPRING | 2 | | | | 0.005 | 0.011 |
| 012 | 36200-29430 | SPRING STOPPER | 1 | | | | 0.003 | 0.0066 |
| 013 | 07715-03211 | BALL | 5 | | | | 0.003 | 0.0066 |
| 014 | 05411-00625 | PIN SPRING | 4 | | | | 0.004 | 0.0088 |
| 015 | 36200-29440 | PLATE SECTOR | 1 | | | | 0.19 | 0.418 |
| 016 | 33251-29450 | COLLAR | 2 | | | | 0.002 | 0.0044 |
| 017 | 33251-29510 | WASHER | 1 | | | | 0.008 | 0.0176 |
| 018 | 36200-29520 | PLATE UPPER | 1 | | | | 0.055 | 0.121 |
| 019 | 36200-29530 | PLATE LOWER | 1 | | | | 0.054 | 0.1188 |
| 020 | 33251-29540 | SPRING | 1 | | | | 0.02 | 0.044 |
| 021 | 01153-50820 | BOLT | 2 | | | | 0.012 | 0.0264 |
| 022 | 36200-29250 | ROD RETAINER | 1 | | | | 0.045 | 0.099 |
| 023 | 05411-00416 | PIN SPRING | 1 | | | | 0.001 | 0.0022 |
| 023 | 05411-00414 | PIN SPRING | 1 | ≥10001 | | | 0.001 | 0.0022 |
| 024 | 04012-50080 | WASHER PLAIN | 1 | | | | 0.001 | 0.0022 |
| 026 | 36200-29270 | SPRING | 1 | | | | 0.01 | 0.022 |
| 027 | 36200-29280 | SPRING RETAINER | 1 | | | | 0.045 | 0.099 |
| 028 | 01153-50818 | BOLT | 2 | | | | 0.01 | 0.022 |
| 029 | 04512-50080 | WASHER SPRING | 2 | | | | 0 | 0 |
| 030 | 07715-01605 | BALL | 1 | | | | 0.003 | 0.0066 |

MAIN CHANGE LEVER



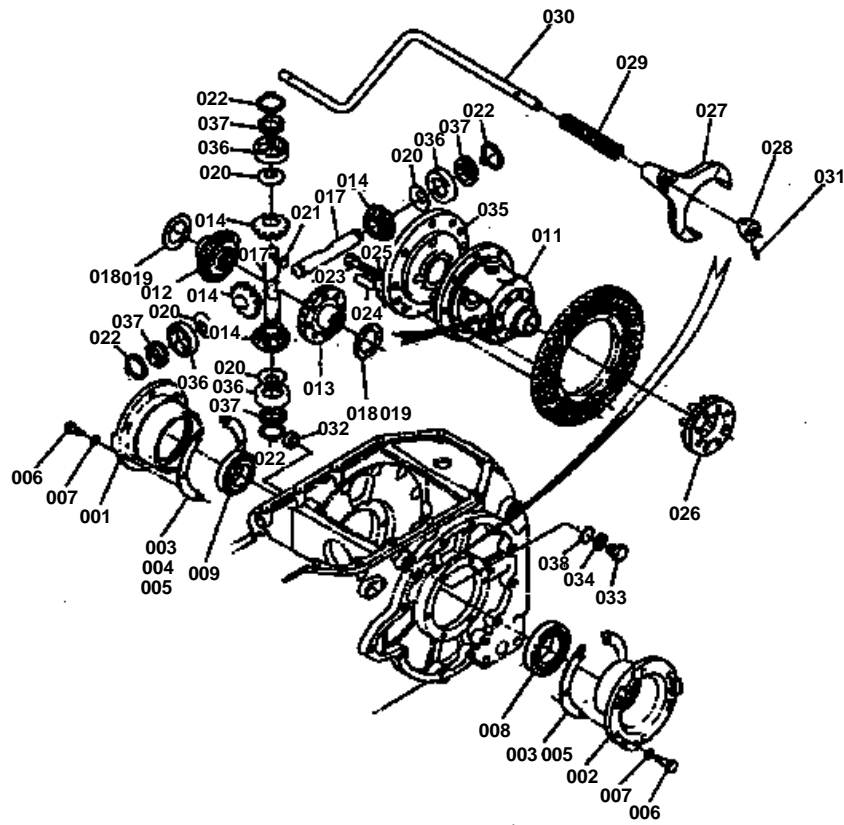


MAIN CHANGE LEVER

↔ Interchangeable; ≠ not interchangeable; ← new for old; → old for new

| REF.No | Part No. | Description | Q'ty | S.No. | I/C | REMARKS | Weight (kgf) | Weight (lb) |
|--------|-------------|-------------------|------|-------|-----|---------|--------------|-------------|
| 001 | 36200-29610 | LEVER MAIN CHANGE | 1 | | | | 0.67 | 1.474 |
| 002 | 33251-29620 | GRIP | 2 | | | | 0.057 | 0.1254 |
| 003 | 33251-29630 | SPRING | 2 | | | | 0.013 | 0.0286 |
| 004 | 33251-29640 | CAP | 2 | | | | 0.042 | 0.0924 |
| 005 | 33251-29650 | CAP SPRING | 2 | | | | 0.005 | 0.011 |
| 006 | 33251-29660 | STOPPER SPRING | 2 | | | | 0.001 | 0.0022 |
| 007 | 34150-23870 | SHIELD | 2 | | | | 0 | 0 |
| 008 | 34150-23740 | PIN | 4 | | | | 0.002 | 0.0044 |
| 009 | 36200-29690 | SEAL | 2 | | | | 0.032 | 0.0704 |
| 010 | 36200-29810 | LEVER | 1 | | | | 0.59 | 1.298 |
| 011 | 36200-29830 | HOLDER | 1 | | | | 0.083 | 0.1826 |
| 012 | 36200-29840 | LEVER SHIFT | 1 | | | | 0.2 | 0.44 |
| 013 | 36200-29850 | HOLDER | 1 | | | | 0.044 | 0.0968 |
| 014 | 36200-29860 | ROD SHIFT 1 | 1 | | | | 0.38 | 0.836 |
| 015 | 36200-29870 | FORK SHIFT | 1 | | | | 0.368 | 0.8096 |
| 016 | 36200-29880 | ROD SHIFT 2 | 1 | | | | 0.348 | 0.7656 |
| 017 | 33251-29410 | SPRING | 1 | | | | 0.005 | 0.011 |
| 018 | 07715-03211 | BALL | 1 | | | | 0.003 | 0.0066 |
| 019 | 05411-00625 | PIN SPRING | 4 | | | | 0.004 | 0.0088 |

DIFF SUPPORT



REF. IN Q. 10

Dimensions

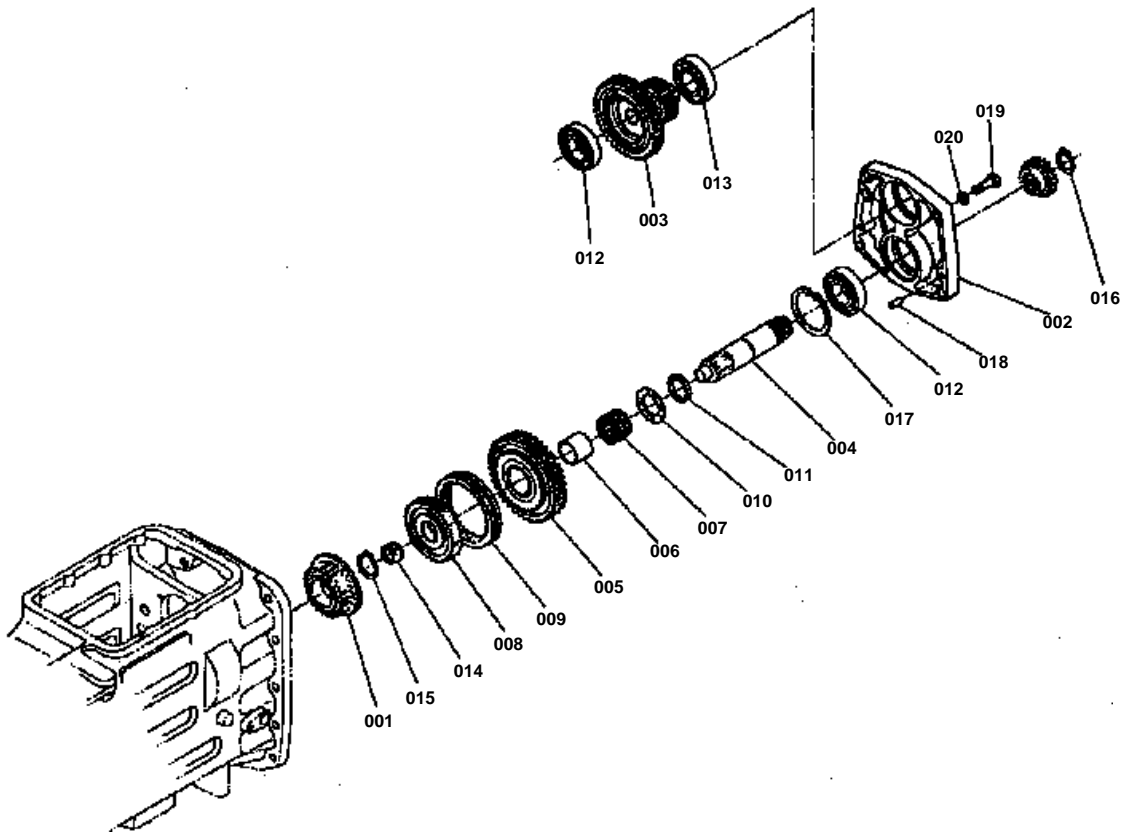


DIFF SUPPORT

↔ Interchangeable; ≠ not interchangeable; ← new for old; → old for new

| REF.No | Part No. | Description | Q'ty | S.No. | I/C | REMARKS | Weight (kgf) | Weight (lb) |
|--------|-------------|----------------------|------|--------|-----|---------------------|--------------|-------------|
| 001 | 36500-32110 | SUPPORT DIFF BEARING | 1 | | | | 0 | 0 |
| 002 | 36500-32120 | SUPPORT DIFF BEARING | 1 | | | | 0 | 0 |
| 003 | 36200-32130 | SHIM 0.1 | 8 | | | | 0.002 | 0.0044 |
| 004 | 36200-32140 | SHIM 0.3 | 8 | | | | 0.006 | 0.0132 |
| 005 | 36200-32150 | SHIM 0.5 | 4 | | | | 0.012 | 0.0264 |
| 006 | 01173-51030 | BOLT | 12 | | | | 0.023 | 0.0506 |
| 007 | 04512-50100 | WASHER SPRING | 12 | | | | 0 | 0 |
| 008 | 08711-30210 | BEARING TAPER ROLLER | 1 | | | | 0.528 | 1.1616 |
| 009 | 08711-30212 | BEARING TAPER ROLLER | 1 | | | | 0.868 | 1.9096 |
| 010 | 36500-32200 | ASSY DIFFERENTIAL | 1 | ≤10641 | | | 0 | 0 |
| 010 | 35700-32200 | ASSY DIFFERENTIAL | 1 | ≥10642 | | | 0 | 0 |
| 011 | 33500-32710 | CASE DIFFERENTIAL | 1 | | | | 4.8 | 10.56 |
| 012 | 33500-32720 | GEAR DIFF SIDE (1) | 1 | | | | 0.79 | 1.738 |
| 013 | 33500-32730 | GEAR DIFF SIDE (2) | 1 | | | | 1.06 | 2.332 |
| 014 | 33500-32740 | ASSY PINION DIFF | 4 | ≤10641 | | | 0.3 | 0.66 |
| 014 | 36530-32750 | ASSY PINION DIFF | 4 | ≥10642 | | | 0 | 0 |
| 015 | 99999-99999 | BLANK | 0 | | | ORDER BY REF.No.014 | 0 | 0 |
| 016 | 99999-99999 | BLANK | 0 | | | ORDER BY REF.No.014 | 0 | 0 |
| 017 | 33500-32770 | SHAFT DIFF PINION | 2 | ≤10641 | | | 0.45 | 0.99 |
| 017 | 36530-32770 | SHAFT DIFF PINION | 2 | ≥10642 | | | 0 | 0 |
| 018 | 33500-32780 | WASHER | 2 | | | | 0.019 | 0.0418 |
| 019 | 33500-32790 | WASHER | 2 | | | | 0.02 | 0.044 |
| 020 | 33500-32810 | WASHER | 4 | ≤10641 | | | 0.018 | 0.0396 |
| 020 | 36530-32810 | WASHER | 4 | ≥10642 | | | 0.015 | 0.033 |
| 021 | 33500-32820 | KEY | 4 | | | | 0.001 | 0.0022 |
| 022 | 04612-00300 | CIR-CLIP EXTERNAL | 4 | | | | 0.003 | 0.0066 |
| 023 | 01176-51240 | BOLT | 8 | | | | 0.046 | 0.1012 |
| 024 | 05012-01332 | PIN STRAIGHT | 2 | | | | 0.04 | 0.088 |
| 025 | 33500-32070 | WASHER | 4 | | | | 0.016 | 0.0352 |
| 026 | 33500-32850 | ASSY SHIFTER DIFF LO | 1 | | | | 0.84 | 1.848 |
| 027 | 36200-32880 | FORK SHIFT | 1 | | | | 1.05 | 2.31 |
| 028 | 36200-32890 | CAM DIFF LOCK | 1 | | | | 0.09 | 0.198 |
| 029 | 33251-32930 | SPRING | 1 | | | | 0.159 | 0.3498 |
| 030 | 36200-32940 | PEDAL DIFF LOCK | 1 | | | | 1.12 | 2.464 |
| 030 | 36280-32940 | PEDAL DIFF LOCK | 1 | | | | 1 | 2.2 |
| 031 | 05411-00636 | PIN SPRING | 1 | | | | 0.005 | 0.011 |
| 032 | 09500-16287 | SEAL OIL | 1 | | | | 0.01 | 0.022 |
| 033 | 06331-35020 | PLUG | 1 | | | | 0.068 | 0.1496 |
| 034 | 04717-02000 | WASHER SEAL | 1 | | | | 0.004 | 0.0088 |
| 035 | 36500-32040 | COVER | 1 | | | | 0 | 0 |
| 036 | 36500-32052 | BUSH | 4 | ≤10641 | | | 0.12 | 0.264 |
| 036 | 36530-32050 | BUSH | 4 | ≥10642 | | | 0.114 | 0.2508 |
| 037 | 33500-32060 | COLLAR | 8 | | | | 0.008 | 0.0176 |
| 038 | 36200-32950 | SHIM ADJUSTING | 1 | | | | 0.002 | 0.0044 |

REDUCTION SHAFT



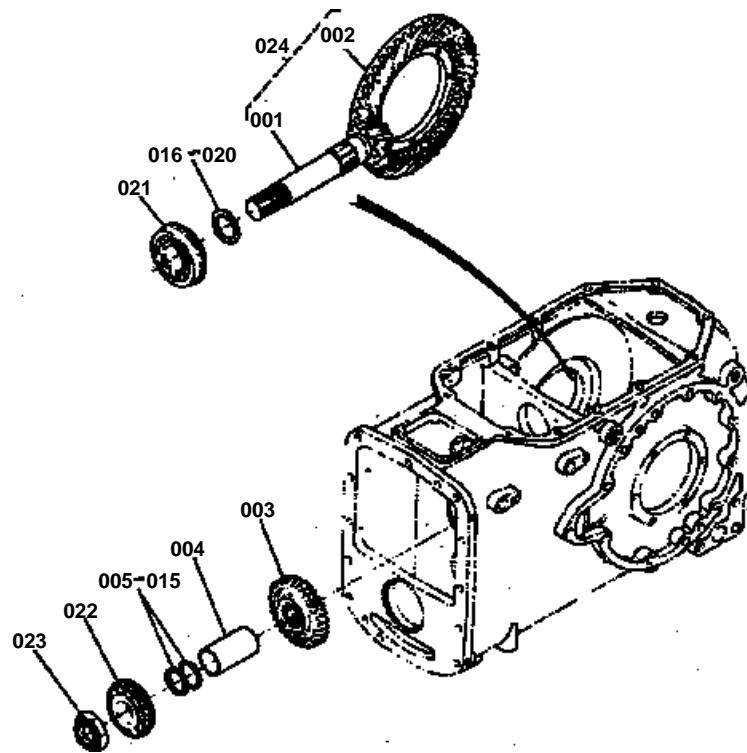


REDUCTION SHAFT

↔ Interchangeable; ≠ not interchangeable; ← new for old; → old for new

| REF.No | Part No. | Description | Q'ty | S.No. | I/C | REMARKS | Weight (kgf) | Weight (lb) |
|--------|-------------|-------------------|------|-------|-----|---------|--------------|-------------|
| 001 | 36200-32260 | GEAR 23 | 1 | | | | 0.98 | 2.156 |
| 002 | 36200-32310 | SUPPORT BEARING | 1 | | | | 0 | 0 |
| 003 | 36200-32320 | GEAR 20-40 | 1 | | | | 3.24 | 7.128 |
| 004 | 36200-32330 | SHAFT | 1 | | | | 1.15 | 2.53 |
| 005 | 36200-32340 | GEAR 43 | 1 | | | | 2.58 | 5.676 |
| 006 | 36200-28330 | RING INNER | 1 | | | | 0.088 | 0.1936 |
| 007 | 36200-28340 | BEARING NEEDLE | 1 | | | | 0 | 0 |
| 008 | 36200-32360 | COUPLING | 1 | | | | 1.13 | 2.486 |
| 009 | 36200-32370 | SHIFTER | 1 | | | | 0.46 | 1.012 |
| 010 | 36200-32380 | COLLAR THRUST | 1 | | | | 0.041 | 0.0902 |
| 011 | 36200-32390 | COLLAR | 1 | | | | 0.032 | 0.0704 |
| 012 | 08101-06208 | BEARING BALL | 2 | | | | 0.355 | 0.781 |
| 013 | 08101-06307 | BEARING BALL | 1 | | | | 0.44 | 0.968 |
| 014 | 08822-53216 | BEARING NEEDLE | 1 | | | | 0.026 | 0.0572 |
| 015 | 04612-00400 | CIR-CLIP EXTERNAL | 1 | | | | 0.005 | 0.011 |
| 016 | 04612-00380 | CIR-CLIP EXTERNAL | 1 | | | | 0.005 | 0.011 |
| 017 | 04611-00800 | CIR-CLIP INTERNAL | 1 | | | | 0.02 | 0.044 |
| 018 | 05012-01020 | PIN STRAIGHT | 2 | | | | 0.02 | 0.044 |
| 019 | 01173-51240 | BOLT | 4 | | | | 0.045 | 0.099 |
| 020 | 04512-50120 | WASHER SPRING | 4 | | | | 0 | 0 |

BEVEL PINION

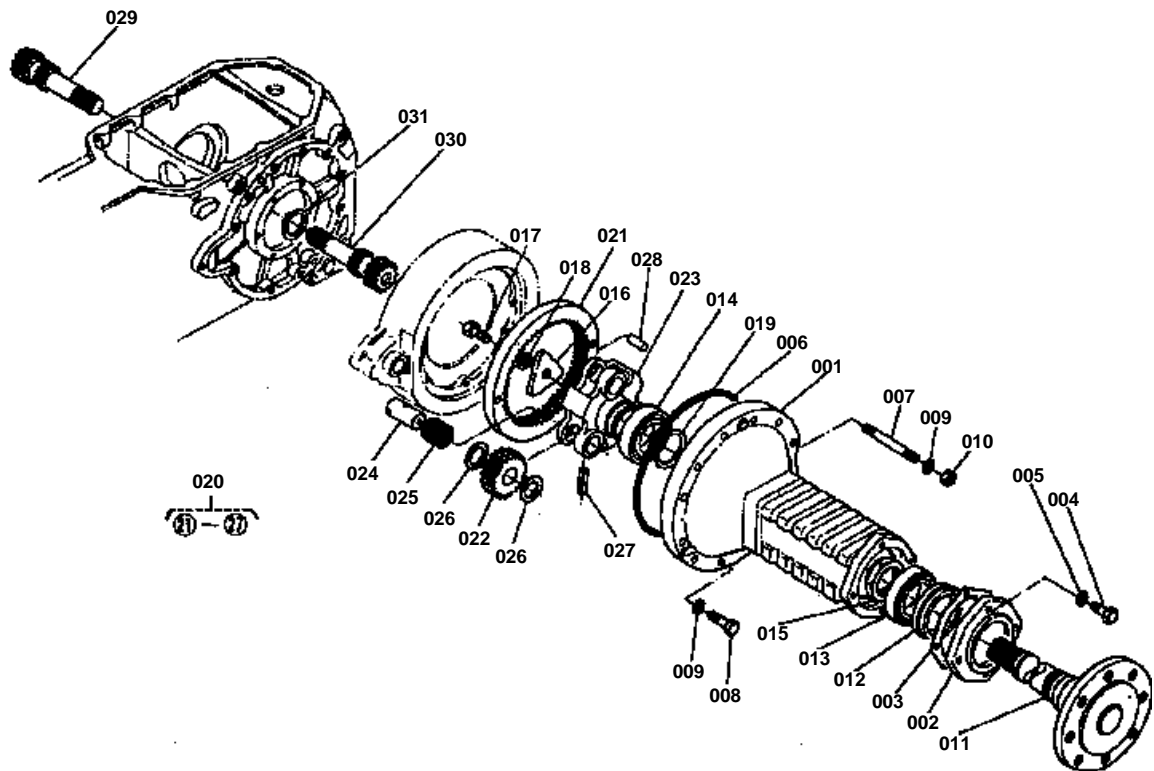


**BEVEL PINION**

↔ Interchangeable; ≠ not interchangeable; ← new for old; → old for new

| REF.No | Part No. | Description | Q'ty | S.No. | I/C | REMARKS | Weight (kgf) | Weight (lb) |
|--------|-------------|-----------------|------|-------|-----|---------------------|--------------|-------------|
| 001 | 99999-99999 | BLANK | 0 | | | ORDER BY REF.No.024 | 0 | 0 |
| 002 | 99999-99999 | BLANK | 0 | | | ORDER BY REF.No.024 | 0 | 0 |
| 003 | 36200-32430 | GEAR 32 | 1 | | | | 1.54 | 3.388 |
| 004 | 36200-32440 | COLLAR | 1 | | | | 0.45 | 0.99 |
| 005 | 33251-32450 | COLLAR (1) | 1 | | | | 0.005 | 0.011 |
| 006 | 33251-32460 | COLLAR (1) | 1 | | | | 0.008 | 0.0176 |
| 007 | 33251-32470 | COLLAR (1) | 1 | | | | 0.009 | 0.0198 |
| 008 | 33251-32480 | COLLAR (1) | 1 | | | | 0.01 | 0.022 |
| 009 | 33251-32490 | COLLAR (1) | 1 | | | | 0.01 | 0.022 |
| 010 | 33251-32510 | COLLAR (1) | 1 | | | | 0.011 | 0.0242 |
| 011 | 33251-32520 | COLLAR (1) | 1 | | | | 0.011 | 0.0242 |
| 012 | 33251-32530 | COLLAR (1) | 1 | | | | 0.011 | 0.0242 |
| 013 | 33251-32540 | COLLAR (1) | 1 | | | | 0.011 | 0.0242 |
| 014 | 33251-32550 | COLLAR (1) | 1 | | | | 0.012 | 0.0264 |
| 015 | 33251-32560 | COLLAR (1) | 1 | | | | 0.012 | 0.0264 |
| 016 | 36200-32610 | COLLAR (2) | 1 | | | | 0.023 | 0.0506 |
| 017 | 36200-32630 | COLLAR (2) | 1 | | | | 0.025 | 0.055 |
| 018 | 36200-32650 | COLLAR (2) | 1 | | | | 0.027 | 0.0594 |
| 019 | 36200-32670 | COLLAR (2) | 1 | | | | 0.029 | 0.0638 |
| 020 | 36200-32690 | COLLAR (2) | 1 | | | | 0.031 | 0.0682 |
| 021 | 14351-23450 | BEARING MAIN 1 | 1 | | | | 0.7 | 1.54 |
| 022 | 33400-32260 | BEARING | 1 | | | | 1.13 | 2.486 |
| 023 | 33251-32440 | NUT | 1 | | | | 0.088 | 0.1936 |
| 024 | 36300-32400 | ASSY GEAR BEVEL | 1 | | | EXCEPT [NZ][AU] | 9.8 | 21.56 |
| 024 | 36500-32400 | ASSY GEAR BEVEL | 1 | | | [NZ][AU] | 13 | 28.6 |

AXLE CASE

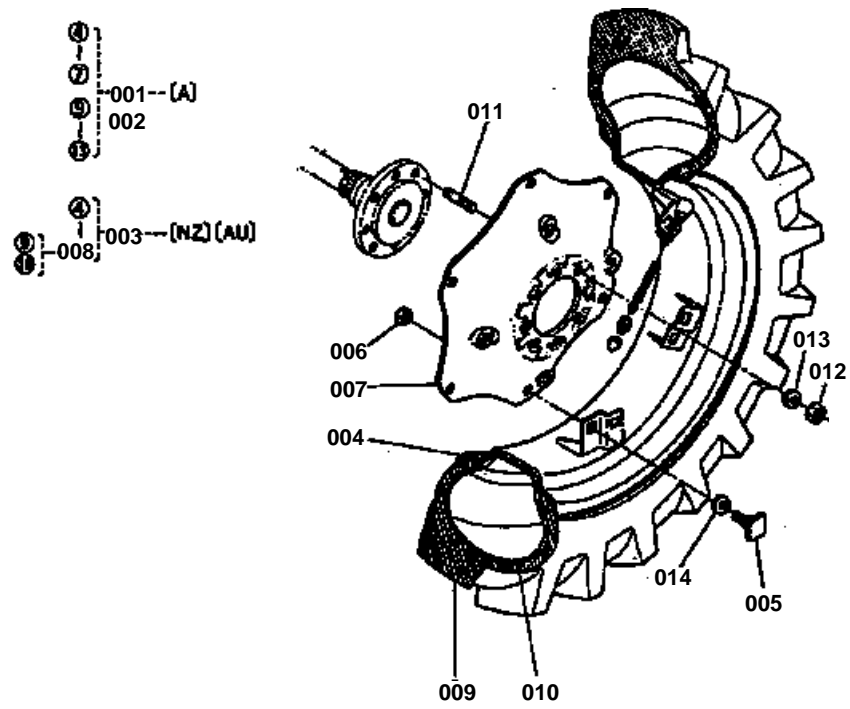




AXLE CASE

↔ Interchangeable; ≠ not interchangeable; ← new for old; → old for new

| REF.No | Part No. | Description | Q'ty | S.No. | I/C | REMARKS | Weight (kgf) | Weight (lb) |
|--------|-------------|-------------------|------|---------|-----|-----------------|--------------|-------------|
| 001 | 36500-48110 | CASE AXLE | 2 | | | | 0 | 0 |
| 002 | 36500-48120 | COVER AXLE CASE | 2 | | | | 1.57 | 3.454 |
| 003 | 36500-48130 | GASKET | 2 | | | | 0.015 | 0.033 |
| 004 | 01173-51040 | BOLT | 8 | | | | 0.028 | 0.0616 |
| 005 | 04512-50100 | WASHER SPRING | 8 | | | | 0 | 0 |
| 006 | 36200-48160 | O RING | 2 | | | | 0.006 | 0.0132 |
| 007 | 36500-48170 | STUD | 6 | | | | 0.178 | 0.3916 |
| 008 | 01173-51407 | BOLT | 18 | | | | 0.16 | 0.352 |
| 009 | 04512-50140 | WASHER SPRING | 24 | | | | 0 | 0 |
| 010 | 02176-50140 | NUT | 6 | | | | 0.014 | 0.0308 |
| 011 | 35500-48210 | AXLE REAR | 2 | | | EXCEPT [NZ][AU] | 24.8 | 54.56 |
| 011 | 36500-48210 | AXLE REAR | 2 | | | [NZ][AU] | 36 | 79.2 |
| 012 | 36500-48250 | SEAL | 2 | | | | 0 | 0 |
| 013 | 08101-06215 | BEARING BALL | 2 | | | | 1.18 | 2.596 |
| 014 | 08101-06213 | BEARING BALL | 2 | | | | 0.97 | 2.134 |
| 015 | 36500-48270 | NUT | 2 | | | | 0 | 0 |
| 016 | 36500-48280 | RETAINER SUPPORT | 2 | | | | 0.084 | 0.1848 |
| 017 | 01173-51225 | BOLT | 2 | | | | 0.033 | 0.0726 |
| 018 | 04512-50120 | WASHER SPRING | 2 | | | | 0 | 0 |
| 019 | 04612-00650 | CIR-CLIP EXTERNAL | 2 | | | | 0.017 | 0.0374 |
| 020 | 36500-48300 | ASSY GEAR | 2 | | | | 0 | 0 |
| 021 | 36500-48310 | GEAR | 1 | | | | 0 | 0 |
| 022 | 36500-48320 | GEAR | 3 | | | | 1.3 | 2.86 |
| 023 | 36500-48340 | SUPPORT | 1 | | | | 6 | 13.2 |
| 024 | 36500-48360 | PIN | 3 | | | | 0 | 0 |
| 025 | 36200-28360 | BEARING NEEDLE | 6 | | | | 0.053 | 0.1166 |
| 026 | 36500-48370 | WASHER THRUST | 6 | | | | 0.025 | 0.055 |
| 027 | 05411-00825 | PIN SPRING | 3 | | | | 0.006 | 0.0132 |
| 028 | 36500-48450 | PIN STRAIGHT | 4 | | | | 0 | 0 |
| 028 | 36500-48452 | PIN STRAIGHT | 4 | >=10001 | | | 0 | 0 |
| 029 | 36500-48410 | SHAFT BRAKE RH | 1 | | | | 0 | 0 |
| 030 | 36500-48420 | SHAFT BRAKE LH | 1 | | | | 0 | 0 |
| 031 | 04612-00550 | CIR-CLIP EXTERNAL | 2 | | | | 0.01 | 0.022 |



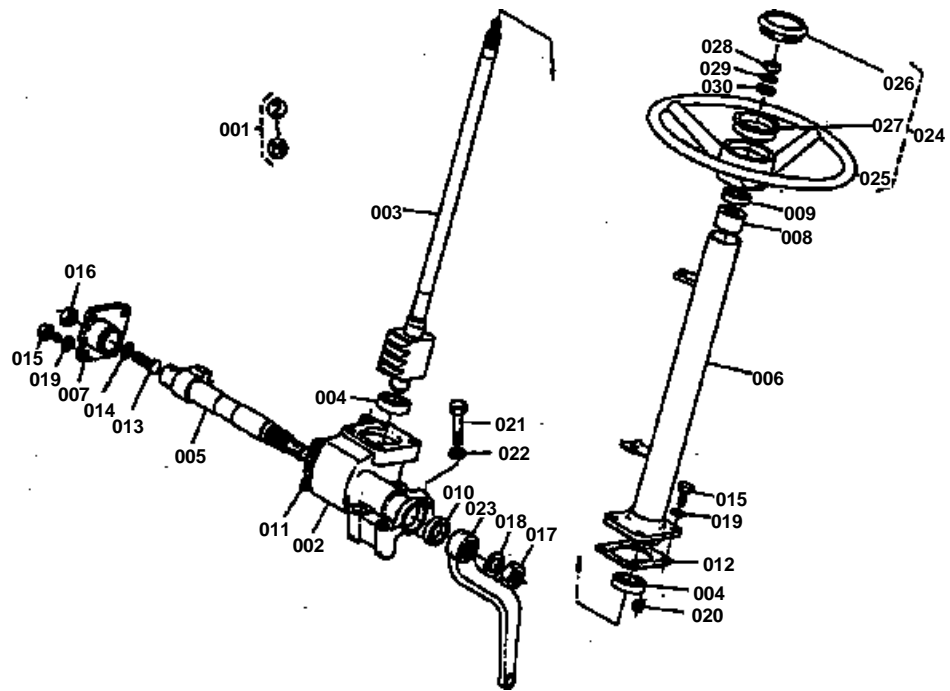


REAR WHEEL [A][NZ][AU]

↔ Interchangeable; ≠ not interchangeable; ← new for old; → old for new

| REF.No | Part No. | Description | Q'ty | S.No. | I/C | REMARKS | Weight (kgf) | Weight (lb) |
|--------|-------------|--------------------|------|-------|-----|----------|--------------|-------------|
| 001 | 70000-00270 | ASSY REAR WHEEL RH | 1 | | | [A] | 0 | 0 |
| 002 | 70000-00271 | ASSY REAR WHEEL LH | 1 | | | [A] | 0 | 0 |
| 003 | 35582-49100 | ASSY REAR WHEEL | 1 | | | [NZ][AU] | 0 | 0 |
| 004 | 70000-00272 | RIM REAR WHEEL | 2 | | | [A] | 0 | 0 |
| 004 | 99664-25110 | RIM REAR WHEEL | 2 | | | [NZ][AU] | 37 | 81.4 |
| 005 | 70000-00010 | BOLT | 12 | | | [A] | 0 | 0 |
| 005 | 36510-49380 | BOLT | 16 | | | [NZ][AU] | 0.233 | 0.5126 |
| 006 | 70000-00098 | NUT | 12 | | | [A] | 0 | 0 |
| 006 | 36500-49390 | NUT | 16 | | | [NZ][AU] | 0.043 | 0.0946 |
| 007 | 70000-00008 | DISK REAR WHEEL | 2 | | | [A] | 0 | 0 |
| 007 | 35709-49110 | DISK REAR WHEEL | 2 | | | [NZ][AU] | 68 | 149.6 |
| 008 | 33450-27600 | ASSY TIRE | 2 | | | [NZ][AU] | 83 | 182.6 |
| 009 | 70000-00274 | TIRE | 2 | | | [A] | 0 | 0 |
| 009 | 33450-27620 | TIRE | 2 | | | [NZ][AU] | 70 | 154 |
| 010 | 70000-00275 | TUBE | 2 | | | [A] | 0 | 0 |
| 010 | 33450-27610 | TUBE | 2 | | | [NZ][AU] | 8.9 | 19.58 |
| 011 | 35410-49150 | STUD | 16 | | | [A] | 0.078 | 0.1716 |
| 011 | 36510-49350 | STUD | 16 | | | [NZ][AU] | 0.178 | 0.3916 |
| 012 | 33251-49170 | NUT | 16 | | | [A] | 0.045 | 0.099 |
| 012 | 36200-49140 | NUT | 16 | | | [NZ][AU] | 0.135 | 0.297 |
| 013 | 36500-49410 | SPRING | 16 | | | [NZ][AU] | 0.024 | 0.0528 |
| 014 | 36200-49130 | SPRING | 16 | | | [NZ][AU] | 0.026 | 0.0572 |

STEERING

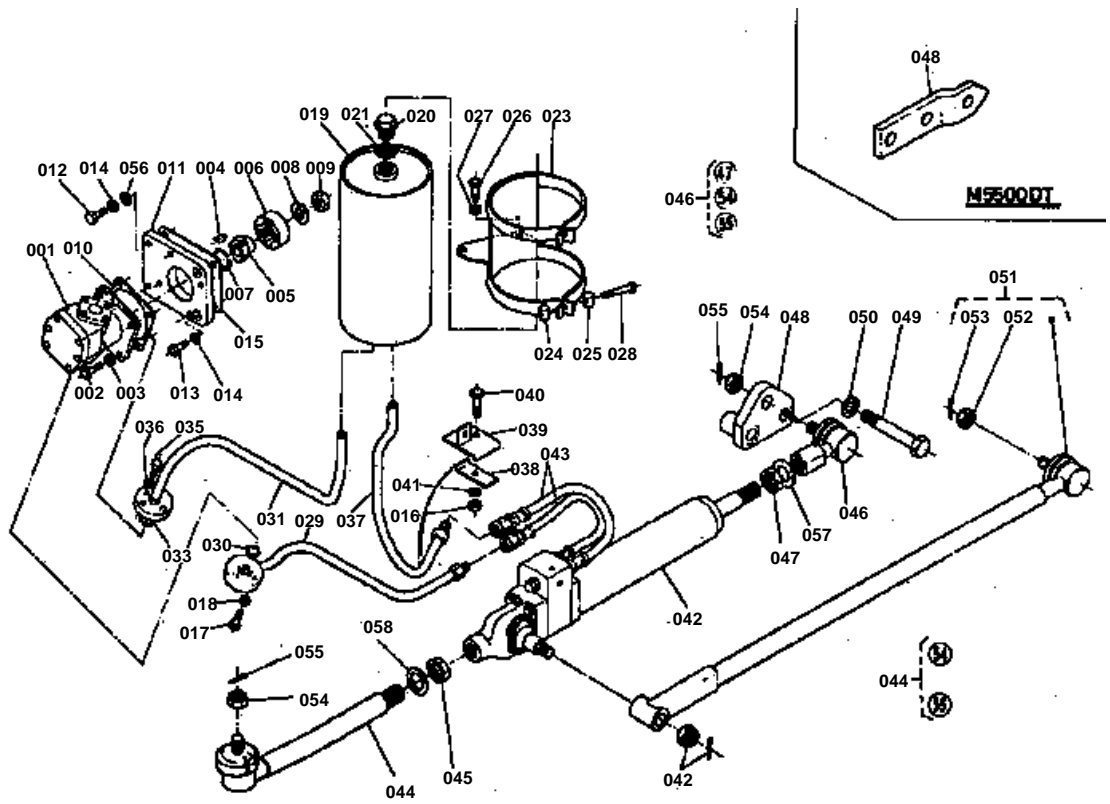


**STEERING**

↔ Interchangeable; ≠ not interchangeable; ← new for old; → old for new

| REF.No | Part No. | Description | Q'ty | S.No. | I/C | REMARKS | Weight (kgf) | Weight (lb) |
|--------|-------------|----------------------|------|-------|-----|---------------------|--------------|-------------|
| 001 | 36200-62100 | ASSY STEERING | 1 | | | | 14 | 30.8 |
| 002 | 36200-62110 | ASSY BOX GEAR | 1 | | | | 6.6 | 14.52 |
| 003 | 36200-62120 | ASSY BALL NUT | 1 | | | | 2.4 | 5.28 |
| 004 | 32350-16220 | BEARING | 2 | | | | 0.098 | 0.2156 |
| 005 | 36200-62140 | SHAFT SECTOR | 1 | | | | 2.23 | 4.906 |
| 006 | 36200-62150 | ASSY COLUMN | 1 | | | | 1.6 | 3.52 |
| 007 | 36200-62160 | ASSY COVER SIDE | 1 | | | | 0.8 | 1.76 |
| 008 | 36200-62170 | BUSH COLUMN | 1 | | | | 0.045 | 0.099 |
| 009 | 36200-62180 | SEAL OIL | 1 | | | | 0.01 | 0.022 |
| 010 | 36200-62190 | SEAL OIL | 1 | | | | 0.015 | 0.033 |
| 011 | 36200-62200 | GASKET | 1 | | | | 0.005 | 0.011 |
| 012 | 36200-62210 | SHIM | 1 | | | | 0.01 | 0.022 |
| 013 | 36200-62220 | SCREW ADJUSTING | 1 | | | | 0.03 | 0.066 |
| 014 | 36200-62230 | SHIM ADJUSTING SCREW | 1 | | | | 0.015 | 0.033 |
| 015 | 36200-62240 | BOLT | 8 | | | | 0.02 | 0.044 |
| 016 | 36200-62250 | NUT 1 | 1 | | | | 0.005 | 0.011 |
| 017 | 36200-62260 | NUT 2 | 1 | | | | 0.1 | 0.22 |
| 018 | 36200-62270 | WASHER SPRING | 1 | | | | 0.05 | 0.11 |
| 019 | 04512-50100 | WASHER SPRING | 8 | | | | 0 | 0 |
| 020 | 06312-10020 | PLUG | 1 | | | | 0.015 | 0.033 |
| 021 | 01173-51690 | BOLT | 4 | | | | 0.156 | 0.3432 |
| 022 | 04512-50160 | WASHER SPRING | 4 | | | | 0 | 0 |
| 023 | 36200-62510 | ARM PITMAN | 1 | | | | 2.31 | 5.082 |
| 024 | 36200-62560 | ASSY HANDLE STEERING | 1 | | | | 2.35 | 5.17 |
| 025 | 99999-99999 | BLANK | 0 | | | ORDER BY REF.No.024 | 0 | 0 |
| 026 | 36200-62580 | CAP HANDLE | 1 | | | | 0.086 | 0.1892 |
| 027 | 36200-62590 | HOLDER | 1 | | | | 0.045 | 0.099 |
| 028 | 02174-50140 | NUT | 1 | | | | 0.014 | 0.0308 |
| 029 | 04512-50140 | WASHER SPRING | 1 | | | | 0 | 0 |
| 030 | 04013-50140 | WASHER PLAIN | 1 | | | | 0 | 0 |

POWER STEERING



**POWER STEERING**

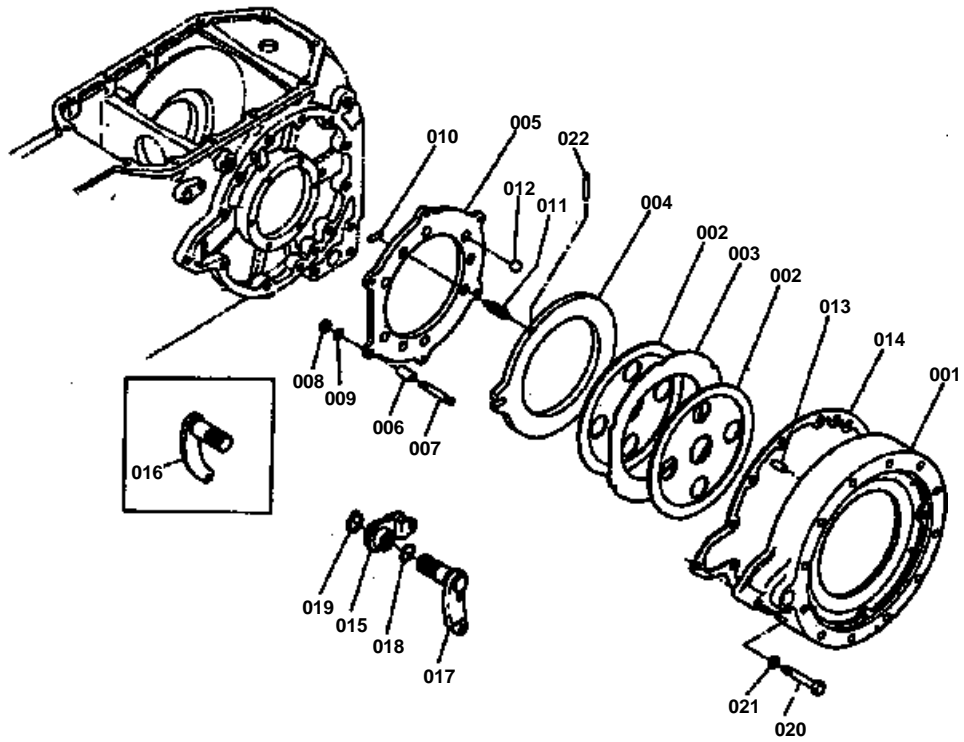
↔ Interchangeable; ≠ not interchangeable; ← new for old; → old for new

| REF.No | Part No. | Description | Q'ty | S.No. | I/C | REMARKS | Weight (kgf) | Weight (lb) |
|--------|-------------|--------------------|------|--------|-----|---------|--------------|-------------|
| 001 | 36500-63790 | PUMP OIL PRESSER | 1 | | | | 1.74 | 3.828 |
| 002 | 01153-50822 | BOLT | 4 | | | | 0.011 | 0.0242 |
| 003 | 04512-50080 | WASHER SPRING | 4 | | | | 0 | 0 |
| 004 | 32270-36210 | KEY | 1 | | | | 0.001 | 0.0022 |
| 005 | 33400-63110 | HUB | 1 | | | | 0.079 | 0.1738 |
| 006 | 33400-63120 | RING | 1 | | | | 0.132 | 0.2904 |
| 007 | 04612-00250 | CIR-CLIP | 1 | | | | 0.002 | 0.0044 |
| 008 | 32270-37890 | WASHER | 1 | | | | 0 | 0 |
| 009 | 02054-50080 | NUT | 1 | | | | 0.005 | 0.011 |
| 010 | 33400-63150 | GASKET | 1 | | | | 0.003 | 0.0066 |
| 011 | 33400-63210 | BRACKET OIL PUMP | 1 | | | | 0.81 | 1.782 |
| 012 | 01053-50625 | BOLT | 2 | | | | 0.007 | 0.0154 |
| 013 | 01053-50616 | BOLT | 2 | | | | 0.005 | 0.011 |
| 014 | 04512-50060 | WASHER SPRING | 4 | | | | 0 | 0 |
| 015 | 36500-63220 | GASKET | 1 | | | | 0 | 0 |
| 016 | 02114-50080 | NUT | 1 | | | | 0.005 | 0.011 |
| 017 | 01153-50835 | BOLT | 3 | | | | 0.016 | 0.0352 |
| 018 | 04512-50080 | WASHER SPRING | 3 | | | | 0 | 0 |
| 019 | 33400-63416 | TANK | 1 | | | | 1.6 | 3.52 |
| 020 | 36500-63470 | GAUGE OIL | 1 | | | | 0.098 | 0.2156 |
| 021 | 04717-02150 | WASHER SEAL | 1 | | | | 0.004 | 0.0088 |
| 022 | 99999-99999 | BLANK | 0 | | | | 0 | 0 |
| 023 | 33400-63430 | BAND TANK | 1 | | | | 0.7 | 1.54 |
| 024 | 33400-63440 | PAD 1 | 2 | | | | 0.015 | 0.033 |
| 025 | 33400-63450 | PAD 2 | 2 | | | | 0.015 | 0.033 |
| 026 | 01153-50830 | BOLT | 1 | | | | 0 | 0 |
| 027 | 04512-50080 | WASHER SPRING | 1 | | | | 0 | 0 |
| 028 | 01055-50645 | BOLT | 2 | | | | 0.01 | 0.022 |
| 029 | 36500-63510 | ASSY PIPE DERIVARY | 1 | | | | 0.6 | 1.32 |
| 030 | 04811-00200 | O RING | 1 | | | | 0.001 | 0.0022 |
| 031 | 36500-63540 | ASSY PIPE | 1 | | | | 0.286 | 0.6292 |
| 032 | 99999-99999 | BLANK | 0 | | | | 0 | 0 |
| 033 | 04811-00200 | O RING | 1 | | | | 0.001 | 0.0022 |
| 034 | 04714-00200 | GASKET | 2 | | | | 0.002 | 0.0044 |
| 035 | 01153-50825 | BOLT | 3 | | | | 0.012 | 0.0264 |
| 036 | 04512-50080 | WASHER SPRING | 3 | | | | 0 | 0 |
| 037 | 36500-63610 | ASSY PIPE | 1 | | | | 0.3 | 0.66 |
| 038 | 33430-63630 | RETAINER PIPE | 1 | | | | 0.033 | 0.0726 |
| 039 | 33430-63640 | HOLDER PIPE | 1 | | | | 0.09 | 0.198 |
| 040 | 01153-50830 | BOLT | 1 | | | | 0 | 0 |
| 041 | 04512-50080 | WASHER SPRING | 1 | | | | 0 | 0 |
| 042 | 35460-63710 | ASSY PISTON | 1 | | | | 8 | 17.6 |
| 043 | 33400-63730 | ASSY PIPE 2 | 2 | | | | 0.38 | 0.836 |
| 044 | 36580-63760 | ASSY ROD LINK | 1 | | | | 0 | 0 |
| 044 | 36580-63762 | ASSY ROD LINK | 1 | ≤10317 | | | 0 | 0 |
| 044 | 36580-63763 | ASSY ROD LINK | 1 | ≥10001 | | | 1.9 | 4.18 |
| 045 | 33400-63680 | NUT | 1 | | | | 0.065 | 0.143 |
| 046 | 36280-63830 | ROD LINK | 1 | ≤10501 | | | 0 | 0 |
| 046 | 36280-63833 | ROD LINK | 1 | ≥10001 | | | 0.75 | 1.65 |
| 047 | 33400-63690 | NUT | 1 | | | | 0.063 | 0.1386 |
| 048 | 36380-63810 | BRACKET | 1 | | | | 1.34 | 2.948 |
| 049 | 01173-51645 | BOLT | 2 | | | | 0.092 | 0.2024 |
| 050 | 04512-50160 | WASHER SPRING | 2 | | | | 0 | 0 |
| 051 | 36300-63910 | ASSY LINK DRAG | 1 | | | | 0 | 0 |
| 051 | 36300-63913 | ASSY LINK DRAG | 1 | ≥10001 | | | 1.7 | 3.74 |
| 052 | 33251-62750 | NUT | 1 | | | | 0 | 0 |
| 052 | 35270-12670 | NUT | 1 | ≥10001 | | | 0.014 | 0.0308 |
| 053 | 05511-50328 | PIN SPLIT | 1 | | | | 0.002 | 0.0044 |
| 053 | 05511-50330 | PIN SPLIT | 1 | ≥10001 | | | 0.005 | 0.011 |

**POWER STEERING**

↔ Interchangeable; ≠ not interchangeable; ← new for old; → old for new

| REF.No | Part No. | Description | Q'ty | S.No. | I/C | REMARKS | Weight (kgf) | Weight (lb) |
|--------|-------------|--------------|------|--------|-----|---------|--------------|-------------|
| 054 | 36280-62750 | NUT | 2 | ≤10501 | | | 0 | 0 |
| 054 | 36280-62752 | NUT | 2 | ≥10001 | | | 0 | 0 |
| 054 | 36280-62753 | NUT | 2 | ≥10001 | | | 0 | 0 |
| 054 | 36280-62754 | NUT | 2 | ≥10001 | | | 0.03 | 0.066 |
| 055 | 05511-50328 | PIN SPLIT | 2 | | | | 0.002 | 0.0044 |
| 055 | 05511-50330 | PIN SPLIT | 2 | ≥10001 | | | 0.005 | 0.011 |
| 056 | 04013-50060 | WASHER PLAIN | 2 | | | | 0 | 0 |
| 057 | 36280-63870 | WASHER | 1 | | | | 0.016 | 0.0352 |
| 058 | 36280-63930 | WASHER | 1 | ≥10502 | | | 0.02 | 0.044 |

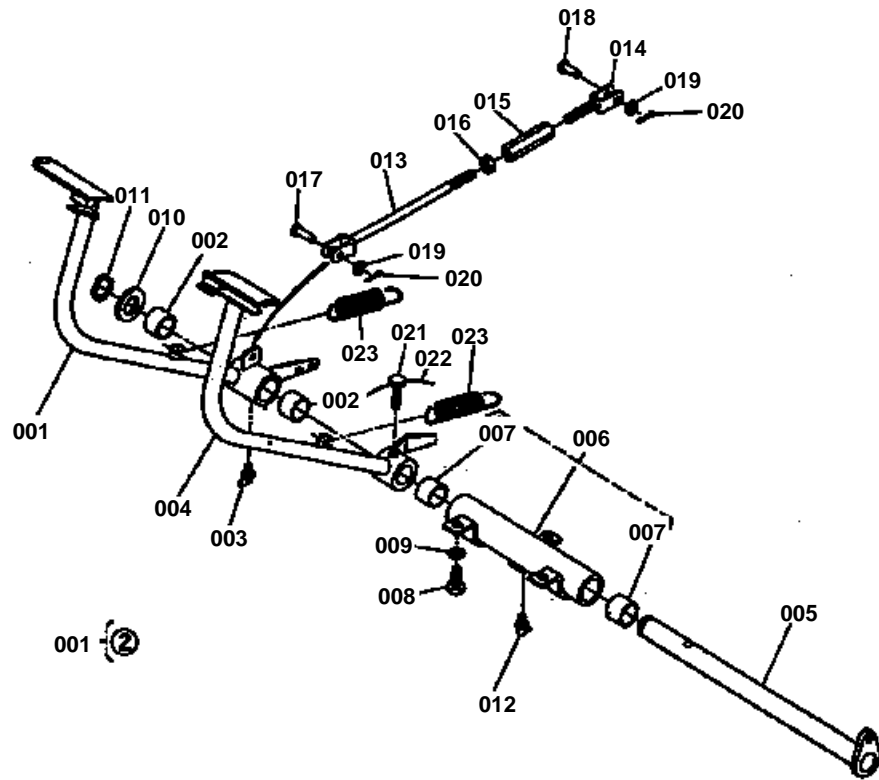


**BRAKE**

↔ Interchangeable; ≠ not interchangeable; ← new for old; → old for new

| REF.No | Part No. | Description | Q'ty | S.No. | I/C | REMARKS | Weight (kgf) | Weight (lb) |
|--------|-------------|-------------------|------|---------|-----|---------|--------------|-------------|
| 001 | 36500-65110 | CASE BRAKE | 2 | | | | 17.4 | 38.28 |
| 002 | 36200-65120 | PLATE | 6 | | | | 0 | 0 |
| 003 | 36200-65130 | PLATE | 4 | | | | 0 | 0 |
| 004 | 36200-65146 | PLATE (1) | 2 | | | | 0 | 0 |
| 004 | 36200-65147 | PLATE (1) | 2 | | | | 2.5 | 5.5 |
| 005 | 36200-65150 | PLATE (2) | 2 | | | | 2.42 | 5.324 |
| 006 | 36500-65160 | SPACER | 12 | | | | 0.02 | 0.044 |
| 007 | 36500-65170 | STUD | 12 | | | | 0.042 | 0.0924 |
| 008 | 02118-50100 | NUT | 12 | | | | 0.005 | 0.011 |
| 009 | 04512-50100 | WASHER SPRING | 12 | | | | 0 | 0 |
| 010 | 36200-65180 | PIN | 6 | | | | 0.025 | 0.055 |
| 011 | 36200-65810 | SPRING | 6 | | | | 0.003 | 0.0066 |
| 012 | 07715-00805 | BALL | 12 | | | | 0.016 | 0.0352 |
| 013 | 05012-01325 | PIN STRAIGHT | 4 | | | | 0.028 | 0.0616 |
| 014 | 36200-65210 | GASKET | 2 | | | | 0 | 0 |
| 015 | 36200-65310 | LEVER BRAKE CAM | 2 | | | | 0.35 | 0.77 |
| 016 | 36200-65330 | LEVER BRAKE RH | 1 | | | | 0.805 | 1.771 |
| 017 | 36200-65340 | LEVER BRAKE LH | 1 | | | | 0.86 | 1.892 |
| 018 | 04811-05250 | O RING | 2 | | | | 0.001 | 0.0022 |
| 019 | 04612-00280 | CIR-CLIP EXTERNAL | 2 | | | | 0.003 | 0.0066 |
| 020 | 01173-51270 | BOLT | 2 | | | | 0.067 | 0.1474 |
| 020 | 01173-51275 | BOLT | 2 | >=10001 | | | 0.071 | 0.1562 |
| 021 | 04512-50120 | WASHER SPRING | 2 | | | | 0 | 0 |
| 022 | 05411-00435 | PIN SPRING | 6 | | | | 0.002 | 0.0044 |

BRAKE PEDAL

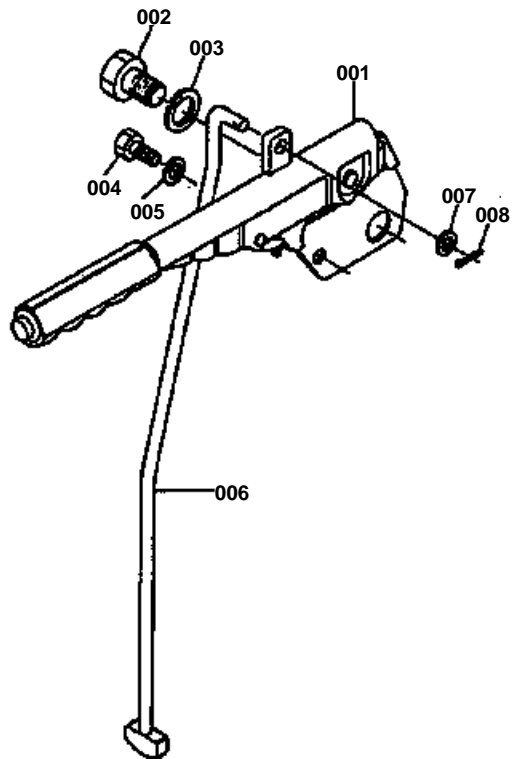


**BRAKE PEDAL**

↔ Interchangeable; ≠ not interchangeable; ← new for old; → old for new

| REF.No | Part No. | Description | Q'ty | S.No. | I/C | REMARKS | Weight (kgf) | Weight (lb) |
|--------|-------------|---------------------|------|--------|-----|---------|--------------|-------------|
| 001 | 36200-67104 | ASSY PEDAL BRAKE RH | 1 | | | | 0 | 0 |
| 002 | 32150-28440 | BUSH | 2 | | | | 0.043 | 0.0946 |
| 003 | 06613-20010 | NIPPLE GREASE | 1 | | | | 0.01 | 0.022 |
| 004 | 36200-67203 | ASSY PEDAL BRAKE LH | 1 | | | | 2.4 | 5.28 |
| 005 | 36200-67310 | SHAFT BRAKE PEDAL | 1 | | | | 2.28 | 5.016 |
| 006 | 36200-67330 | SUPPORT PEDAL SHAFT | 1 | | | | 3.2 | 7.04 |
| 007 | 32150-28440 | BUSH | 2 | | | | 0.043 | 0.0946 |
| 008 | 01173-51225 | BOLT | 3 | | | | 0.033 | 0.0726 |
| 009 | 04512-50120 | WASHER SPRING | 3 | | | | 0 | 0 |
| 010 | 33251-67340 | COLLAR PEDAL SHAFT | 1 | | | | 0.029 | 0.0638 |
| 011 | 04612-00280 | CIR-CLIP EXTERNAL | 1 | | | | 0.003 | 0.0066 |
| 012 | 06613-30010 | NIPPLE GREASE | 1 | | | | 0.01 | 0.022 |
| 013 | 36200-67410 | ROD BRAKE (1) | 2 | | | | 0.1 | 0.22 |
| 014 | 36200-67420 | ROD BRAKE (2) | 2 | | | | 0.241 | 0.5302 |
| 015 | 37720-28980 | BUCKLE TURN | 2 | | | | 0.099 | 0.2178 |
| 016 | 02172-50120 | NUT | 2 | | | | 0.01 | 0.022 |
| 017 | 05122-51035 | PIN JOINT | 2 | | | | 0.023 | 0.0506 |
| 018 | 05122-51028 | PIN JOINT | 2 | | | | 0 | 0 |
| 019 | 04011-50100 | WASHER PLAIN | 4 | | | | 0.002 | 0.0044 |
| 020 | 05511-50318 | PIN SPLIT | 4 | | | | 0.001 | 0.0022 |
| 021 | 33251-26350 | BOLT SET | 1 | | | | 0.045 | 0.099 |
| 023 | 37150-15840 | SPRING | 2 | ≤10401 | | | 0.06 | 0.132 |
| 023 | 36200-26150 | SPRING | 2 | ≥10402 | | | 0.125 | 0.275 |

HAND BRAKE

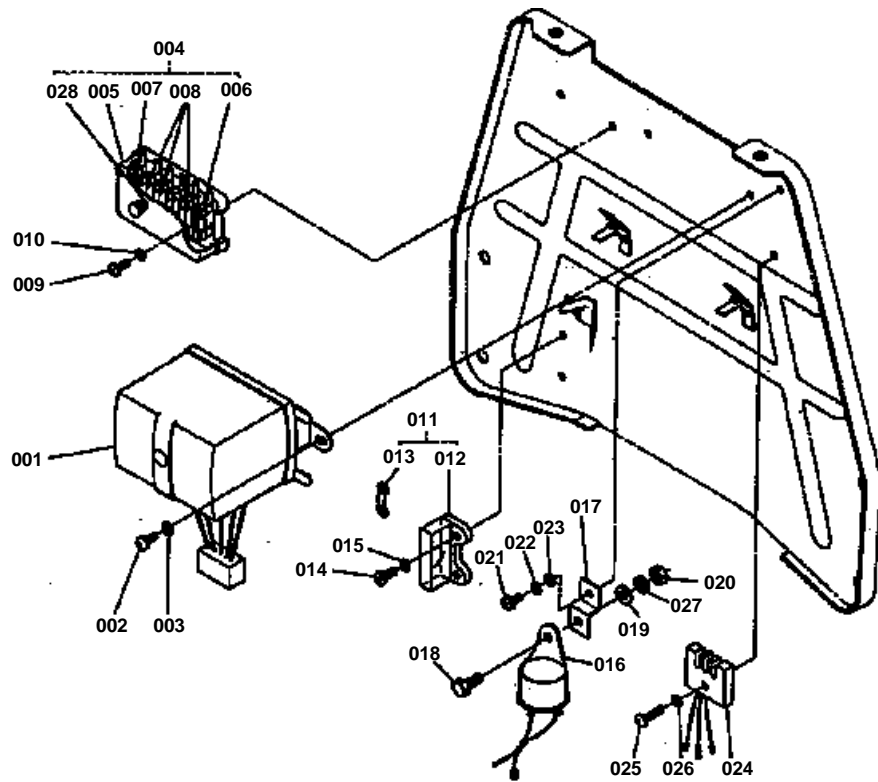




HAND BRAKE

↔ Interchangeable; ≠ not interchangeable; ← new for old; → old for new

| REF.No | Part No. | Description | Q'ty | S.No. | I/C | REMARKS | Weight (kgf) | Weight (lb) |
|--------|-------------|----------------------|------|-------|-----|---------|--------------|-------------|
| 001 | 36200-67600 | ASSY LEVER HAND BRAK | 1 | | | | 0 | 0 |
| 002 | 01170-52035 | BOLT | 1 | | | | 0.14 | 0.308 |
| 003 | 04512-50200 | WASHER SPRING | 1 | | | | 0 | 0 |
| 004 | 01173-51020 | BOLT | 1 | | | | 0.017 | 0.0374 |
| 005 | 04512-50100 | WASHER SPRING | 1 | | | | 0 | 0 |
| 006 | 36200-67752 | ROD HAND BRAKE | 1 | | | | 0 | 0 |
| 007 | 04011-50100 | WASHER PLAIN | 1 | | | | 0.002 | 0.0044 |
| 008 | 05511-50215 | PIN SPLIT | 1 | | | | 0.001 | 0.0022 |

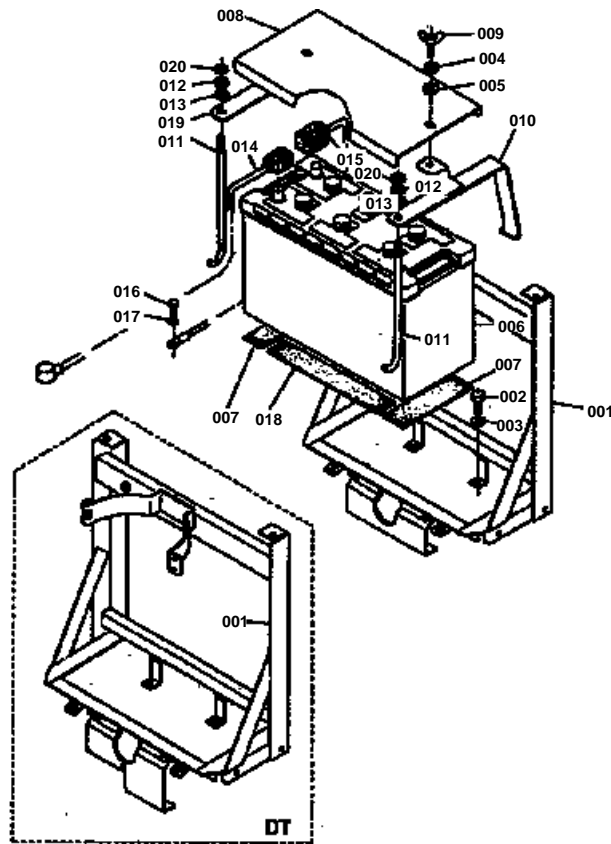


**ELECTRICAL**

↔ Interchangeable; ≠ not interchangeable; ← new for old; → old for new

| REF.No | Part No. | Description | Q'ty | S.No. | I/C | REMARKS | Weight (kgf) | Weight (lb) |
|--------|-------------|----------------------|------|---------|-----|---------------------|--------------|-------------|
| 001 | 33251-74010 | REGULATOR | 1 | | | | 0.35 | 0.77 |
| 002 | 03014-50612 | SCREW PAN HEAD | 2 | | | | 0.003 | 0.0066 |
| 003 | 04512-50060 | WASHER SPRING | 2 | | | | 0 | 0 |
| 004 | 36200-75500 | ASSY CASE FUSE | 1 | | | | 0.089 | 0.1958 |
| 005 | 99999-99999 | BLANK | 0 | | | ORDER BY REF.No.004 | 0 | 0 |
| 006 | 36200-75550 | FUSE | 2 | | | | 0.002 | 0.0044 |
| 007 | 36200-75560 | FUSE | 1 | | | | 0.002 | 0.0044 |
| 008 | 33251-75570 | FUSE | 3 | | | | 0.001 | 0.0022 |
| 009 | 03014-50620 | SCREW PAN HEAD | 2 | | | | 0.005 | 0.011 |
| 010 | 04411-50060 | WASHER | 2 | | | | 0.001 | 0.0022 |
| 011 | 36500-75370 | FUSE | 1 | | | | 0.034 | 0.0748 |
| 012 | 54213-25150 | CASE FUSE | 1 | | | | 0 | 0 |
| 013 | 36500-75380 | FUSE | 1 | | | | 0.002 | 0.0044 |
| 014 | 03014-50616 | SCREW | 2 | | | | 0.003 | 0.0066 |
| 015 | 04512-50060 | WASHER SPRING | 2 | | | | 0 | 0 |
| 016 | 36200-75590 | FLASHER UNIT | 1 | >=10502 | | | 0.03 | 0.066 |
| 017 | 36200-75840 | BRACKET FLASHER UNIT | 1 | >=10502 | | | 0.01 | 0.022 |
| 018 | 01050-50616 | BOLT | 1 | >=10502 | | | 0 | 0 |
| 019 | 04012-50060 | WASHER PLAIN | 1 | >=10502 | | | 0.001 | 0.0022 |
| 020 | 02014-50060 | NUT | 1 | >=10502 | | | 0.003 | 0.0066 |
| 021 | 03014-50612 | SCREW PAN HEAD | 1 | >=10502 | | | 0.003 | 0.0066 |
| 022 | 04411-50060 | WASHER | 1 | >=10502 | | | 0.001 | 0.0022 |
| 023 | 04012-50060 | WASHER PLAIN | 1 | | | | 0.001 | 0.0022 |
| 024 | 36200-75920 | RECTIFIER | 1 | | | | 0.039 | 0.0858 |
| 025 | 03014-50625 | SCREW | 1 | | | | 0 | 0 |
| 026 | 04512-50060 | WASHER SPRING | 1 | | | | 0 | 0 |
| 027 | 04512-50060 | WASHER SPRING | 1 | | | | 0 | 0 |
| 028 | 36200-75580 | SPRING | 1 | | | | 0 | 0 |

BATTERY

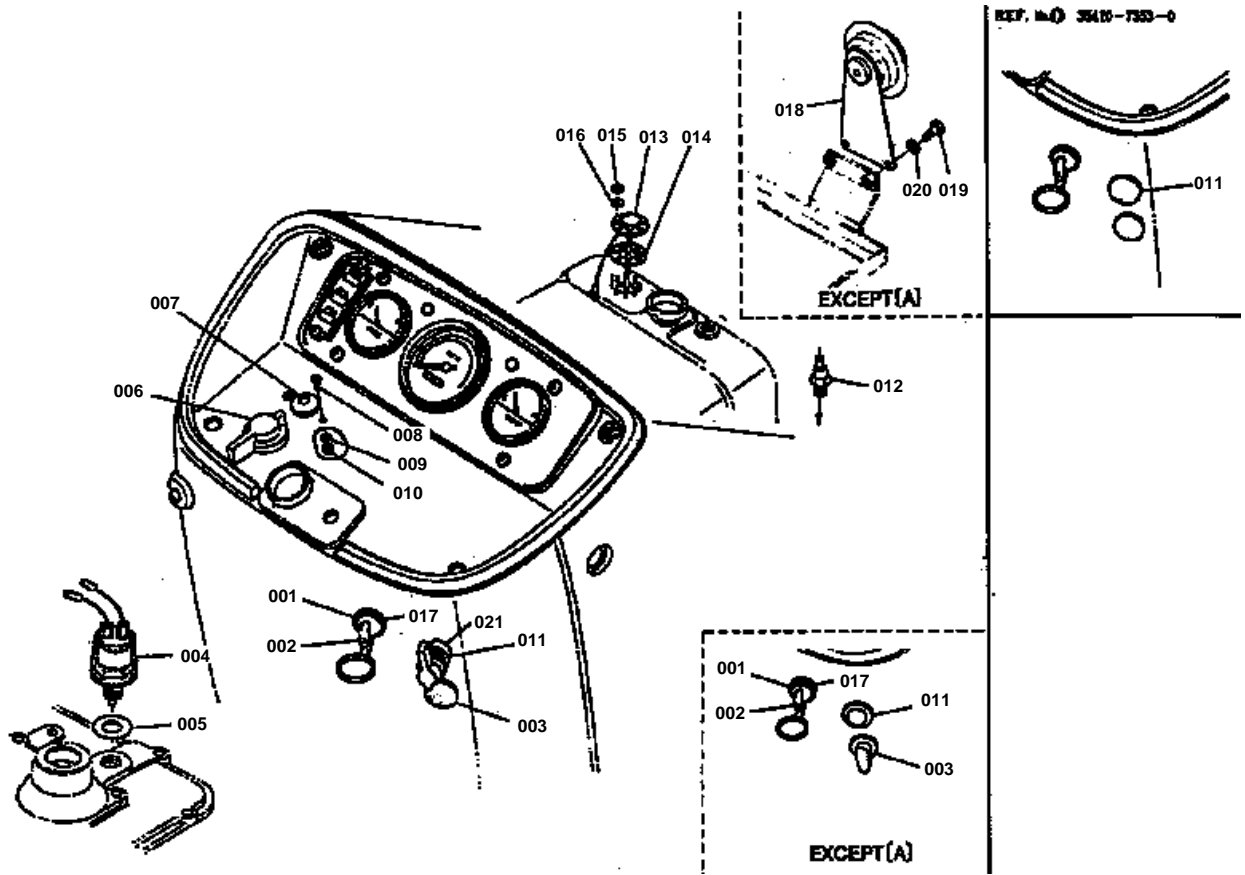


**BATTERY**

↔ Interchangeable; ≠ not interchangeable; ← new for old; → old for new

| REF.No | Part No. | Description | Q'ty | S.No. | I/C | REMARKS | Weight (kgf) | Weight (lb) |
|--------|-------------|-----------------|------|-------|-----|-----------------|--------------|-------------|
| 001 | 35580-74110 | SUPPORT BATTERY | 1 | | | [A][NZ][SANPLE] | 9.5 | 20.9 |
| 001 | 35786-74110 | SUPPORT BATTERY | 1 | | | [AU] | 0 | 0 |
| 002 | 01173-51225 | BOLT | 4 | | | | 0.033 | 0.0726 |
| 003 | 04512-50120 | WASHER SPRING | 4 | | | | 0 | 0 |
| 004 | 04512-50080 | WASHER SPRING | 2 | | | | 0 | 0 |
| 005 | 04013-50080 | WASHER PLAIN | 2 | | | | 0 | 0 |
| 006 | 35709-74090 | BATTERY | 1 | | | | 32 | 70.4 |
| 007 | 36500-74180 | CUSHION | 2 | | | | 0 | 0 |
| 008 | 36500-74170 | COVER BATTERY | 1 | | | | 0.25 | 0.55 |
| 009 | 01811-50818 | BOLT WING | 2 | | | | 0.033 | 0.0726 |
| 010 | 36500-74140 | BAND 1 | 1 | | | | 0.58 | 1.276 |
| 011 | 36500-74160 | BOLT | 2 | | | | 0.174 | 0.3828 |
| 012 | 02116-50100 | NUT | 2 | | | | 0.004 | 0.0088 |
| 013 | 04013-50100 | WASHER PLAIN | 2 | | | | 0 | 0 |
| 014 | 36300-77110 | CORD BATTERY | 1 | | | | 0 | 0 |
| 015 | 36500-77140 | CORD EARTH | 1 | | | | 0.41 | 0.902 |
| 016 | 01173-51018 | BOLT | 1 | | | | 0.018 | 0.0396 |
| 017 | 04512-50100 | WASHER SPRING | 1 | | | | 0 | 0 |
| 018 | 36500-74190 | CUSHION | 1 | | | | 0.092 | 0.2024 |
| 019 | 36500-74150 | BAND 2 | 1 | | | | 0.564 | 1.2408 |
| 020 | 02118-50100 | NUT | 2 | | | | 0.005 | 0.011 |

MAIN SWITCH



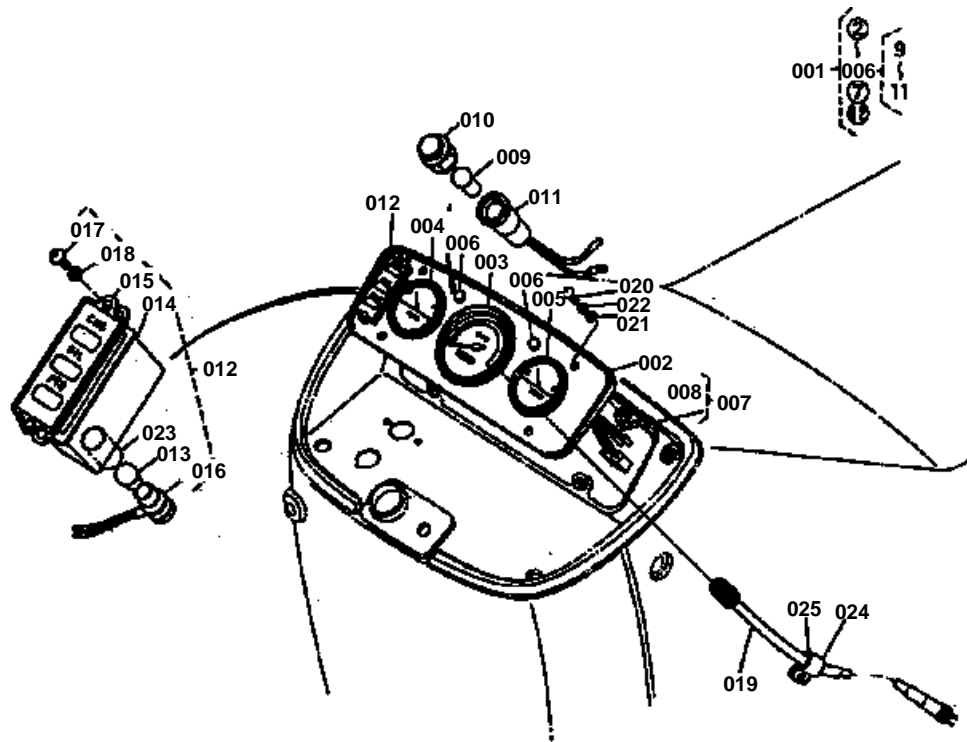


MAIN SWITCH

↔ Interchangeable; ≠ not interchangeable; ← new for old; → old for new

| REF.No | Part No. | Description | Q'ty | S.No. | I/C | REMARKS | Weight (kgf) | Weight (lb) |
|--------|-------------|----------------------|------|--------|-----|------------|--------------|-------------|
| 001 | 32360-31800 | ASSY SWITCH MAIN | 1 | | | | 0.19 | 0.418 |
| 002 | 32130-31810 | KEY MAIN SWITCH | 2 | | | | 0.017 | 0.0374 |
| 003 | 34159-34290 | PLUG | 1 | | | [A] | 0.004 | 0.0088 |
| 003 | 54711-41150 | SWITCH | 1 | | | EXCEPT [A] | 0.045 | 0.099 |
| 004 | 33251-75100 | SWITCH SAFETY STARTE | 1 | | | | 0.095 | 0.209 |
| 005 | 33251-75130 | GASKET | 1 | | | | 0.001 | 0.0022 |
| 006 | 32210-32200 | SWITCH STARTER | 1 | | | | 0.275 | 0.605 |
| 007 | 34350-32700 | GLOW PLUG INDICATOR | 1 | | | | 0.05 | 0.11 |
| 008 | 03054-50510 | SCREW PAN HEAD | 2 | | | | 0.003 | 0.0066 |
| 009 | 04512-50050 | WASHER SPRING | 2 | | | | 0 | 0 |
| 010 | 02054-50050 | NUT | 3 | | | | 0.002 | 0.0044 |
| 011 | 35410-75530 | CAP | 1 | ≤10501 | | [A] | 0.003 | 0.0066 |
| 011 | 35450-75040 | SWITCH HAZARD | 1 | ≥10502 | | [A] | 0.15 | 0.33 |
| 011 | 33430-75540 | SWITCH HORN | 1 | | | EXCEPT [A] | 0.067 | 0.1474 |
| 012 | 33400-75250 | SWITCH | 1 | | | | 0.033 | 0.0726 |
| 013 | 36200-75300 | UNIT TANK | 1 | | | | 0.182 | 0.4004 |
| 014 | 33251-75310 | GASKET | 1 | | | | 0.005 | 0.011 |
| 015 | 02054-50040 | NUT | 6 | | | | 0.001 | 0.0022 |
| 016 | 04512-50040 | WASHER SPRING | 6 | | | | 0 | 0 |
| 017 | 34150-31810 | GASKET | 1 | | | | 0.001 | 0.0022 |
| 018 | 33430-75950 | ASSY HORN | 1 | | | EXCEPT [A] | 0.33 | 0.726 |
| 019 | 01153-50830 | BOLT | 2 | | | EXCEPT [A] | 0 | 0 |
| 020 | 04512-50080 | WASHER SPRING | 2 | | | EXCEPT [A] | 0 | 0 |
| 021 | 04411-50220 | WASHER | 1 | ≥10502 | | [A] | 0.01 | 0.022 |

PANEL BOARD



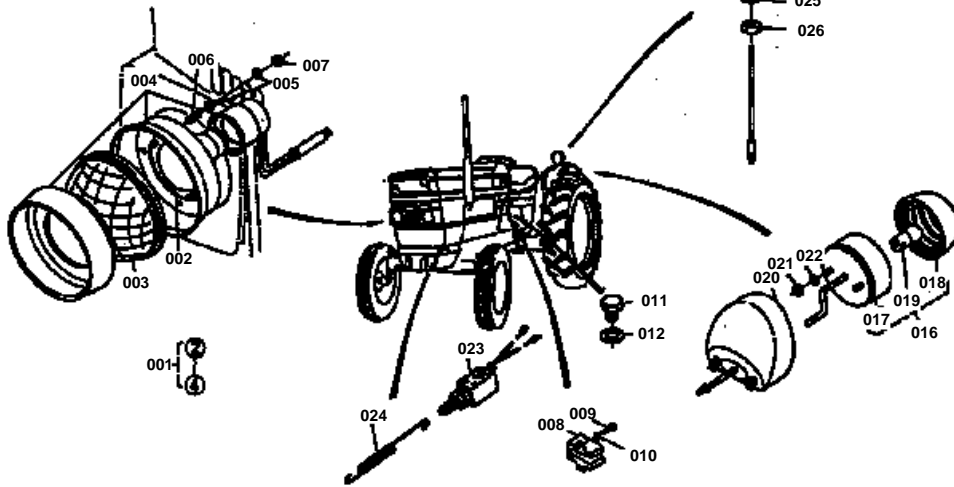
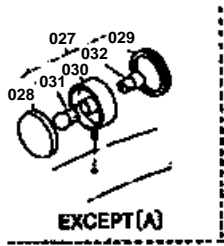


PANEL BOARD

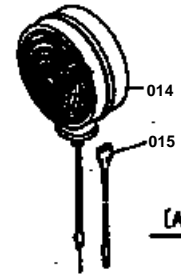
↔ Interchangeable; ≠ not interchangeable; ← new for old; → old for new

| REF.No | Part No. | Description | Q'ty | S.No. | I/C | REMARKS | Weight (kgf) | Weight (lb) |
|--------|-------------|---------------------|------|-------|-----|---------------------|--------------|-------------|
| 001 | 36500-75600 | ASSY PANEL | 1 | | | | 1.32 | 2.904 |
| 002 | 36200-75670 | PANEL | 1 | | | | 0.265 | 0.583 |
| 003 | 36500-75640 | METER TRACTOR | 1 | | | | 0.478 | 1.0516 |
| 004 | 36200-75680 | METER TRACTOR | 1 | | | | 0.16 | 0.352 |
| 005 | 34260-31300 | METER TRACTOR | 1 | | | | 0.144 | 0.3168 |
| 006 | 36200-75930 | INDICATER | 2 | | | | 0.014 | 0.0308 |
| 007 | 36200-75740 | WIRE HARNESS | 1 | | | | 0.115 | 0.253 |
| 008 | 36200-75751 | BULB LAMP | 2 | | | NOT SHOWN IN FIG. | 0 | 0 |
| 009 | 34150-34590 | BULB | 1 | | | | 0.001 | 0.0022 |
| 010 | 36200-75950 | LENS | 1 | | | | 0.003 | 0.0066 |
| 011 | 99999-99999 | BLANK | 0 | | | ORDER BY REF.No.006 | 0 | 0 |
| 012 | 36200-75210 | BOX | 1 | | | | 0.063 | 0.1386 |
| 013 | 33430-75750 | LAMP | 1 | | | | 0.002 | 0.0044 |
| 013 | 36200-75760 | LAMP | 2 | | | | 0.002 | 0.0044 |
| 014 | 99999-99999 | BLANK | 0 | | | ORDER BY REF.No.012 | 0 | 0 |
| 015 | 36200-75230 | CASE BOX UPPER | 1 | | | | 0.001 | 0.0022 |
| 016 | 36200-75240 | ASSY CORD | 1 | | | | 0.026 | 0.0572 |
| 017 | 03024-50510 | SCREW | 2 | | | | 0.002 | 0.0044 |
| 018 | 04012-50050 | WASHER PLAIN | 2 | | | | 0.001 | 0.0022 |
| 019 | 36500-30110 | CABLE TRACTOR METER | 1 | | | | 0 | 0 |
| 020 | 03014-50620 | SCREW | 4 | | | | 0.005 | 0.011 |
| 021 | 04012-50060 | WASHER PLAIN | 4 | | | | 0.001 | 0.0022 |
| 022 | 04411-50060 | WASHER | 4 | | | | 0.001 | 0.0022 |
| 023 | 36200-75270 | PIPE | 3 | | | | 0.002 | 0.0044 |
| 024 | 36500-30150 | CLAMP CABLE | 1 | | | | 0 | 0 |
| 025 | 33251-30160 | CUSHION | 1 | | | | 0.007 | 0.0154 |

LAMP



REF. No. 35430-7502-0
35430-7503-0



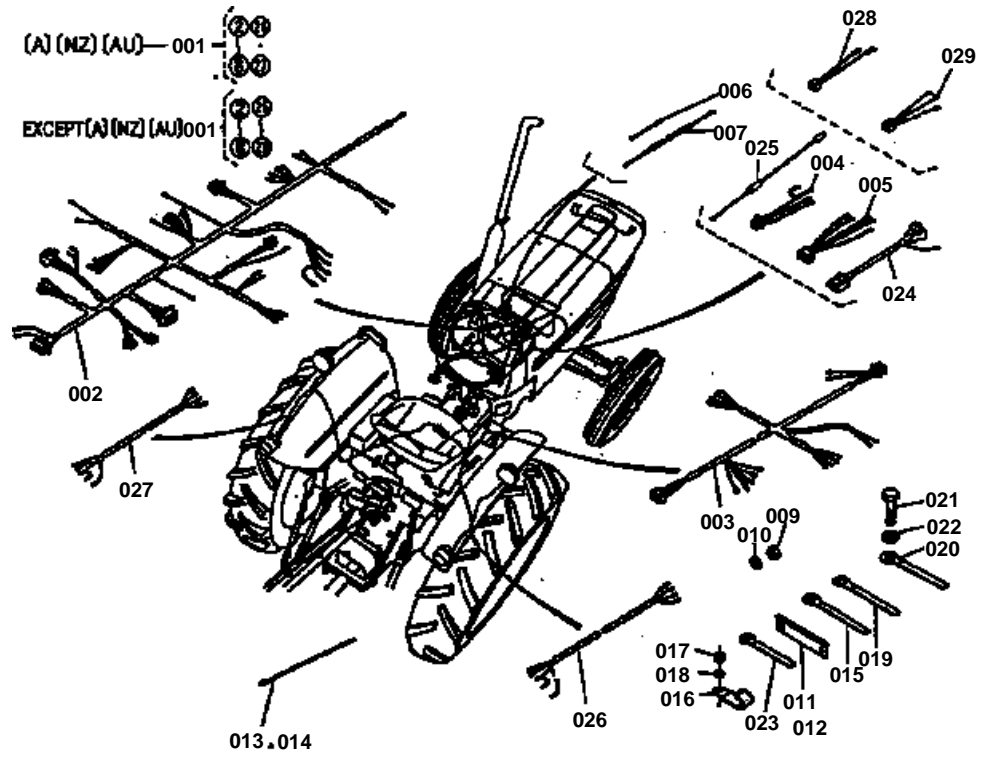
Discontinued

**LAMP**

↔ Interchangeable; ≠ not interchangeable; ← new for old; → old for new

| REF.No | Part No. | Description | Q'ty | S.No. | I/C | REMARKS | Weight (kgf) | Weight (lb) |
|--------|-------------|-------------------------|------|---------|-----|---------------------|--------------|-------------|
| 001 | 36200-75280 | ASSY LAMP HEAD | 2 | | | | 0.375 | 0.825 |
| 002 | 36200-75290 | BULB LAMP | 2 | | | | 0.05 | 0.11 |
| 003 | 36200-75310 | LENS | 2 | | | | 0.13 | 0.286 |
| 004 | 99999-99999 | BLANK | 0 | | | ORDER BY REF.No.001 | 0 | 0 |
| 005 | 04013-50050 | WASHER PLAIN | 6 | | | | 0 | 0 |
| 005 | 04013-50050 | WASHER PLAIN | 12 | | | | 0 | 0 |
| 006 | 34350-33950 | SPRING | 6 | | | | 0.001 | 0.0022 |
| 007 | 34350-33960 | NUT | 8 | | | | 0.002 | 0.0044 |
| 008 | 36200-75260 | SWITCH PTO | 1 | | | | 0.025 | 0.055 |
| 009 | 03054-50516 | SCREW PAN HEAD | 2 | | | | 0.004 | 0.0088 |
| 010 | 04512-50050 | WASHER SPRING | 2 | | | | 0 | 0 |
| 011 | 35410-75330 | PLUG | 1 | | | | 0.02 | 0.044 |
| 012 | 04711-00120 | GASKET | 1 | | | | 0.001 | 0.0022 |
| 013 | 35450-75010 | ASSY LAMP HAZARD FLA | 2 | | | [A] | 0.3 | 0.66 |
| 014 | 35450-75020 | LAMP HAZARD FLASHER | 2 | | | [A] | 0.31 | 0.682 |
| 015 | 35450-75030 | CORD HAZARD LAMP | 2 | | | [A] | 0.005 | 0.011 |
| 016 | 34350-34100 | LAMP TAIL | 2 | | | | 0.13 | 0.286 |
| 017 | 99999-99999 | BLANK | 0 | | | ORDER BY REF.No.016 | 0 | 0 |
| 018 | 34350-34120 | LENS TAIL LAMP | 2 | | | | 0.05 | 0.11 |
| 019 | 34350-34140 | LAMP | 2 | | | | 0.008 | 0.0176 |
| 020 | 34350-34190 | HOLDER | 2 | | | | 0.107 | 0.2354 |
| 021 | 02014-50060 | NUT | 4 | | | | 0.003 | 0.0066 |
| 022 | 04512-50060 | WASHER SPRING | 4 | | | | 0 | 0 |
| 023 | 36200-75480 | SWITCH STOP | 1 | | | | 0 | 0 |
| 024 | 36200-75490 | SPRING | 1 | | | | 0.014 | 0.0308 |
| 025 | 04512-50100 | WASHER SPRING | 1 | | | [A] | 0 | 0 |
| 026 | 02114-50100 | NUT | 1 | >=10706 | | [A] | 0.005 | 0.011 |
| 027 | 33430-75410 | LAMP | 2 | | | EXCEPT [A] | 0.28 | 0.616 |
| 028 | 36200-75420 | LENS (1) | 2 | | | EXCEPT [A] | 0.05 | 0.11 |
| 029 | 36200-75430 | LENS (2) | 2 | | | EXCEPT [A] | 0.05 | 0.11 |
| 030 | 99999-99999 | BLANK | 0 | | | ORDER BY REF.No.027 | 0 | 0 |
| 031 | 36200-75450 | VALVE | 2 | | | EXCEPT [A] | 0.008 | 0.0176 |
| 032 | 36200-75460 | VALVE | 2 | | | EXCEPT [A] | 0.002 | 0.0044 |
| 033 | 35450-75020 | VALVE HAZARD FLASHER | 2 | | | [A] | 0.31 | 0.682 |

WIRE HARNESS



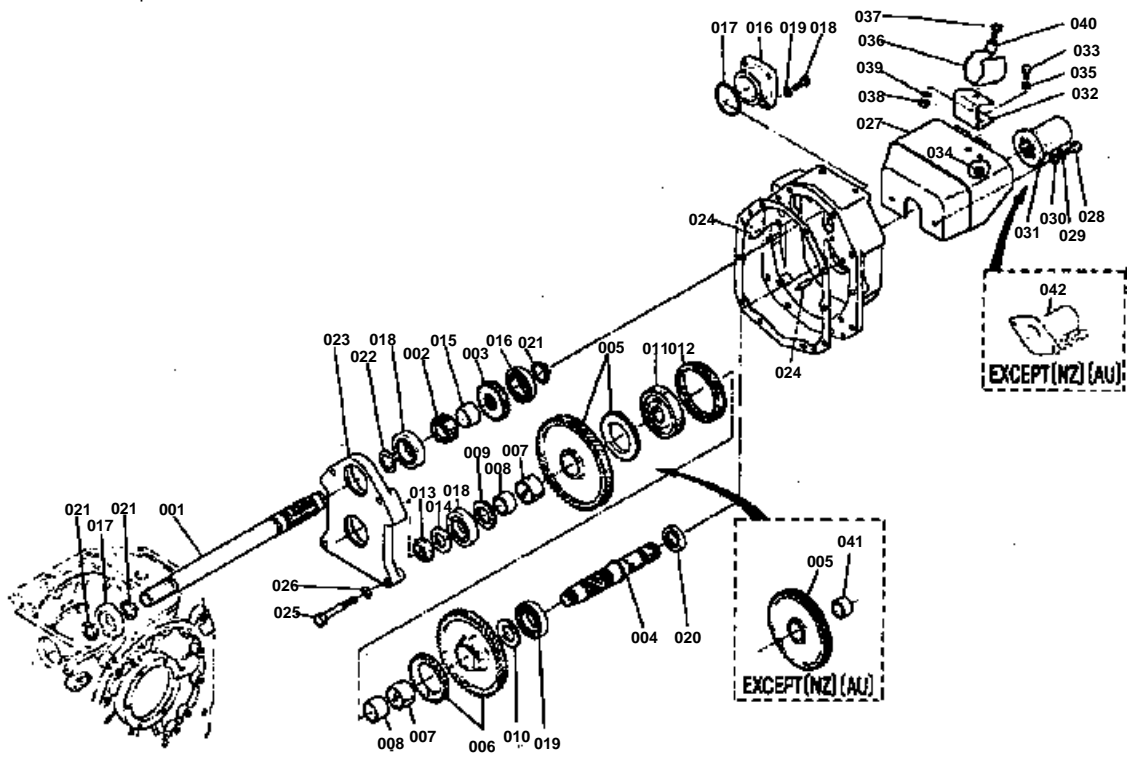


WIRE HARNESS

↔ Interchangeable; ≠ not interchangeable; ← new for old; → old for new

| REF.No | Part No. | Description | Q'ty | S.No. | I/C | REMARKS | Weight (kgf) | Weight (lb) |
|--------|-------------|---------------------|------|---------|-----|--------------------|--------------|-------------|
| 001 | 35500-77202 | ASSY WIRE HARNESS | 1 | | | [A] | 1.95 | 4.29 |
| 001 | 35582-77200 | ASSY WIRE HARNESS | 1 | | | [NZ][AU] | 1.8 | 3.96 |
| 001 | 35999-01110 | ASSY WIRE HARNESS | 1 | | | EXCEPT [A][NZ][AU] | 1.9 | 4.18 |
| 002 | 36300-77210 | WIRE HARNESS 1 | 1 | | | | 1.3 | 2.86 |
| 003 | 35410-77220 | WIRE HARNESS 2 | 1 | | | | 0.338 | 0.7436 |
| 003 | 35452-77220 | WIRE HARNESS 2 | 1 | >=10001 | | | 0.36 | 0.792 |
| 004 | 36200-77250 | WIRE HARNESS 5 | 1 | | | | 0.045 | 0.099 |
| 005 | 36200-77270 | WIRE HARNESS 7 | 1 | | | | 0.06 | 0.132 |
| 006 | 36200-77320 | WIRE HARNESS 11 | 1 | | | | 0.012 | 0.0264 |
| 007 | 36200-77330 | WIRE HARNESS 12 | 1 | | | | 0.012 | 0.0264 |
| 008 | 33251-77360 | CORD | 1 | | | NOT SHOWN IN FIG. | 0.003 | 0.0066 |
| 009 | 02114-50080 | NUT | 1 | | | | 0.005 | 0.011 |
| 010 | 04512-50080 | WASHER SPRING | 1 | | | | 0 | 0 |
| 011 | 36200-77510 | CLAMP CORD 1 | 1 | | | | 0.04 | 0.088 |
| 012 | 36200-77520 | CLAMP CORD 2 | 1 | | | | 0.007 | 0.0154 |
| 013 | 36200-77650 | BAND CORD | 1 | | | | 0.002 | 0.0044 |
| 014 | 34350-29380 | BAND CORD | 2 | | | | 0.001 | 0.0022 |
| 015 | 13313-69750 | CLAMP CORD | 1 | | | | 0 | 0 |
| 015 | 13313-69750 | CLAMP CORD | 2 | >=10001 | | | 0 | 0 |
| 016 | 36500-77710 | CLAMP CORD 3 | 2 | | | | 0 | 0 |
| 016 | 36500-77710 | CLAMP CORD 3 | 1 | >=10001 | | | 0 | 0 |
| 017 | 02014-50060 | NUT | 1 | | | | 0.003 | 0.0066 |
| 018 | 04512-50060 | WASHER SPRING | 1 | | | | 0 | 0 |
| 019 | 36500-77530 | ASSY CLAMP CORD 1 | 1 | | | | 0.024 | 0.0528 |
| 020 | 36200-77610 | ASSY CLAMP CORD 2 | 10 | | | | 0.002 | 0.0044 |
| 021 | 01153-50816 | BOLT | 4 | | | | 0.01 | 0.022 |
| 022 | 04512-50080 | WASHER SPRING | 4 | | | | 0 | 0 |
| 023 | 34150-29390 | CLAMP CORD | 1 | | | | 0.004 | 0.0088 |
| 024 | 35450-77340 | WIRE HARNESS HAZARD | 1 | | | [A] | 0.02 | 0.044 |
| 025 | 35450-77350 | WIRE HARNESS HAZARD | 1 | >=10502 | | [A] | 0.018 | 0.0396 |
| 026 | 36200-77230 | WIRE HARNESS 3 | 1 | | | [A][NZ][AU] | 0.076 | 0.1672 |
| 026 | 36500-77230 | WIRE HARNESS 3 | 1 | | | EXCEPT [A][NZ][AU] | 0.078 | 0.1716 |
| 027 | 36200-77240 | WIRE HARNESS 4 | 1 | | | [A][NZ][AU] | 0.072 | 0.1584 |
| 027 | 36500-77240 | WIRE HARNESS 4 | 1 | | | EXCEPT [A][NZ][AU] | 0.078 | 0.1716 |
| 028 | 36200-77262 | WIRE HARNESS 6 | 1 | | | EXCEPT [A][NZ][AU] | 0.01 | 0.022 |
| 029 | 36200-77280 | WIRE HARNESS 8 | 1 | | | EXCEPT [A][NZ][AU] | 0.015 | 0.033 |

PTO SHAFT



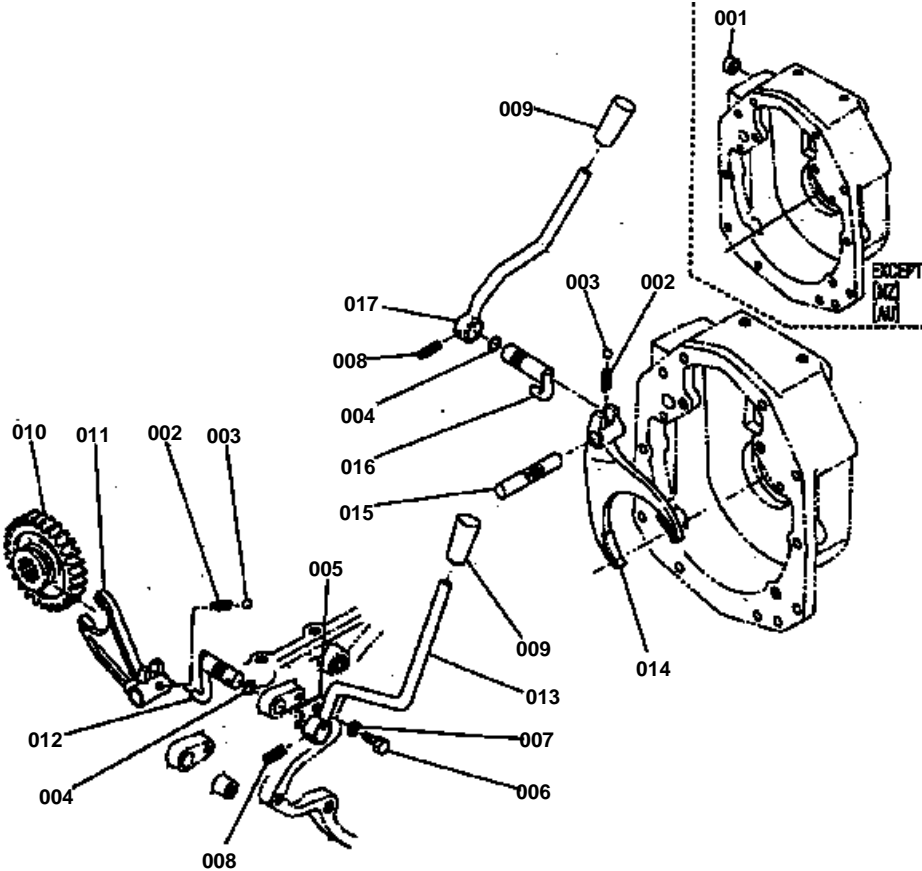


PTO SHAFT

↔ Interchangeable; ≠ not interchangeable; ← new for old; → old for new

| REF.No | Part No. | Description | Q'ty | S.No. | I/C | REMARKS | Weight (kgf) | Weight (lb) |
|--------|-------------|---------------------|------|-------|-----|-----------------|--------------|-------------|
| 001 | 36300-80110 | SHAFT PTO | 1 | | | | 3.58 | 7.876 |
| 002 | 36500-80120 | GEAR 15 | 1 | | | | 0.494 | 1.0868 |
| 003 | 36500-80130 | GEAR 21 | 1 | | | [NZ][AU] | 0.878 | 1.9316 |
| 004 | 36200-97670 | SHAFT PTO | 1 | | | | 0 | 0 |
| 005 | 35500-80150 | GEAR 56 | 1 | | | EXCEPT [NZ][AU] | 3.7 | 8.14 |
| 005 | 36500-80150 | GEAR 56 | 1 | | | [NZ][AU] | 4 | 8.8 |
| 006 | 36500-80160 | GEAR 50 | 1 | | | [NZ][AU] | 3.1 | 6.82 |
| 007 | 36200-80190 | BUSH | 2 | | | [NZ][AU] | 0.084 | 0.1848 |
| 008 | 36200-28330 | RING INNER | 2 | | | [NZ][AU] | 0.088 | 0.1936 |
| 009 | 36200-28610 | COLLAR THRUST 1 | 1 | | | [NZ][AU] | 0.048 | 0.1056 |
| 010 | 36200-32380 | COLLAR THRUST 4 | 1 | | | [NZ][AU] | 0.041 | 0.0902 |
| 011 | 36200-32360 | COUPLING | 1 | | | [NZ][AU] | 1.13 | 2.486 |
| 012 | 36200-32370 | SHIFTER | 1 | | | [NZ][AU] | 0.46 | 1.012 |
| 013 | 34150-25330 | NUT | 1 | | | | 0.04 | 0.088 |
| 014 | 34150-27150 | COLLAR | 1 | | | | 0.035 | 0.077 |
| 015 | 35500-80180 | COLLAR | 1 | | | EXCEPT [NZ][AU] | 0.24 | 0.528 |
| 015 | 36300-80180 | COLLAR | 1 | | | [NZ][AU] | 0.1 | 0.22 |
| 016 | 36300-80370 | BEARING BALL | 1 | | | | 0.334 | 0.7348 |
| 017 | 08101-06306 | BEARING BALL | 1 | | | | 0.335 | 0.737 |
| 018 | 08100-00026 | BEARING BALL | 1 | | | | 0.495 | 1.089 |
| 019 | 08101-06208 | BEARING BALL | 1 | | | | 0.355 | 0.781 |
| 020 | 09503-85811 | SEAL OIL | 1 | | | | 0.028 | 0.0616 |
| 021 | 04612-00300 | CIR-CLIP EXTERNAL | 2 | | | | 0.003 | 0.0066 |
| 022 | 04612-00350 | CIR-CLIP EXTERNAL | 1 | | | | 0.01 | 0.022 |
| 023 | 36200-80210 | SUPPORT PTO BEARING | 1 | | | | 4.4 | 9.68 |
| 024 | 05012-01020 | PIN STRAIGHT | 2 | | | | 0.02 | 0.044 |
| 025 | 01173-51260 | BOLT | 4 | | | | 0.06 | 0.132 |
| 026 | 04512-50120 | WASHER SPRING | 4 | | | | 0 | 0 |
| 027 | 33251-80340 | COVER PTO | 1 | | | | 0 | 0 |
| 028 | 01153-50822 | BOLT | 2 | | | | 0.011 | 0.0242 |
| 029 | 04512-50080 | WASHER SPRING | 2 | | | | 0 | 0 |
| 030 | 04013-50080 | WASHER PLAIN | 2 | | | | 0 | 0 |
| 031 | 31220-25820 | CAP | 1 | | | [NZ][AU] | 0.055 | 0.121 |
| 032 | 33400-91960 | BRACKET | 1 | | | | 0.092 | 0.2024 |
| 033 | 01050-50620 | BOLT | 2 | | | | 0.006 | 0.0132 |
| 034 | 02014-50060 | NUT | 2 | | | | 0.003 | 0.0066 |
| 035 | 04512-50060 | WASHER SPRING | 2 | | | | 0 | 0 |
| 036 | 33400-91970 | SPRING TOP LINK | 1 | | | | 0.078 | 0.1716 |
| 037 | 01153-50835 | BOLT | 1 | | | | 0.016 | 0.0352 |
| 038 | 02053-50080 | NUT | 1 | | | | 0 | 0 |
| 039 | 04512-50080 | WASHER SPRING | 1 | | | | 0 | 0 |
| 040 | 36200-91980 | COLLAR | 1 | | | | 0.012 | 0.0264 |
| 041 | 35500-80190 | COLLAR (1) | 1 | | | EXCEPT [NZ][AU] | 0 | 0 |
| 042 | 33430-90610 | COVER PTO SHAFT | 1 | | | EXCEPT [NZ][AU] | 0.4 | 0.88 |

SHIFT FORK

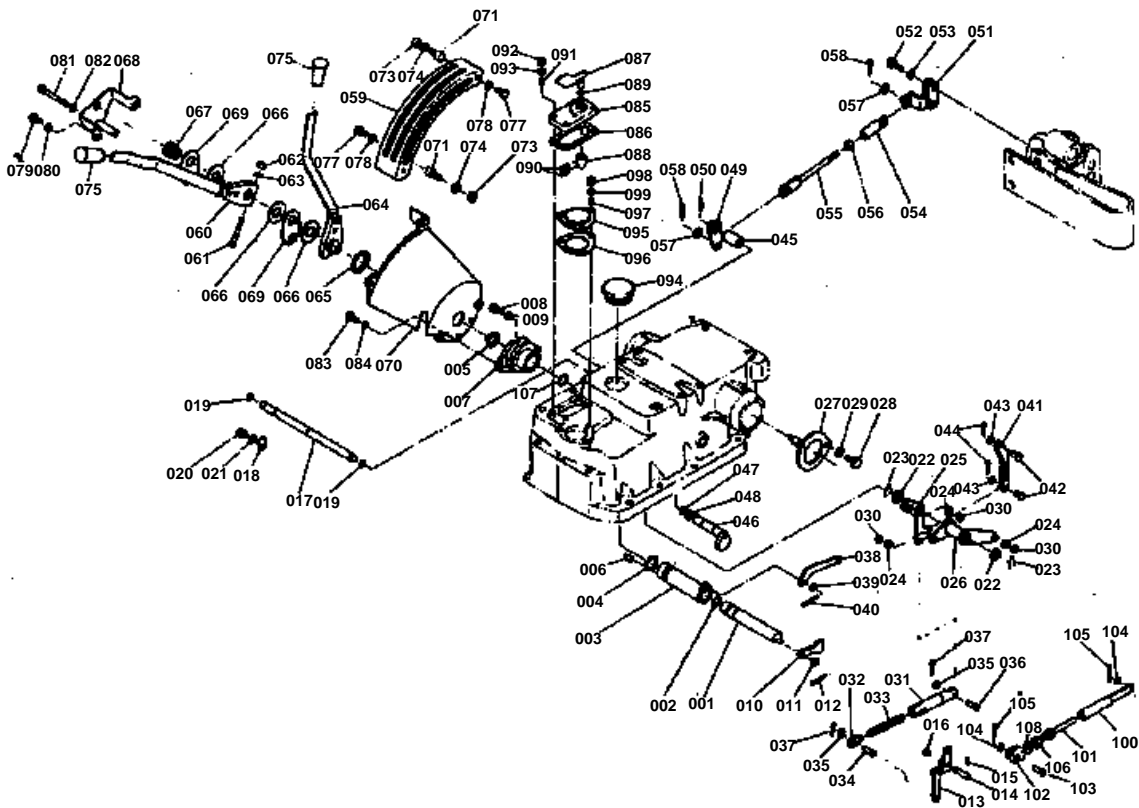


**SHIFT FORK**

↔ Interchangeable; ≠ not interchangeable; ← new for old; → old for new

| REF.No | Part No. | Description | Q'ty | S.No. | I/C | REMARKS | Weight (kgf) | Weight (lb) |
|--------|-------------|----------------|------|---------|-----|-----------------|--------------|-------------|
| 001 | 36200-21240 | PLUG | 1 | | | EXCEPT [NZ][AU] | 0 | 0 |
| 002 | 62231-18530 | SPRING STOPPER | 1 | | | EXCEPT [NZ][AU] | 0.01 | 0.022 |
| 002 | 62231-18530 | SPRING STOPPER | 2 | | | [NZ][AU] | 0.01 | 0.022 |
| 003 | 07715-03211 | BALL | 1 | | | EXCEPT [NZ][AU] | 0.003 | 0.0066 |
| 003 | 07715-03211 | BALL | 2 | | | [NZ][AU] | 0.003 | 0.0066 |
| 004 | 04811-00150 | O RING | 1 | | | EXCEPT [NZ][AU] | 0.001 | 0.0022 |
| 004 | 04811-00150 | O RING | 2 | | | [NZ][AU] | 0.001 | 0.0022 |
| 005 | 34150-24350 | STOPPER LEVER | 1 | | | EXCEPT [NZ][AU] | 0.015 | 0.033 |
| 005 | 34150-24350 | STOPPER LEVER | 2 | | | [NZ][AU] | 0.015 | 0.033 |
| 006 | 01153-50814 | BOLT | 1 | | | EXCEPT [NZ][AU] | 0.009 | 0.0198 |
| 006 | 01153-50814 | BOLT | 2 | | | [NZ][AU] | 0.009 | 0.0198 |
| 007 | 04512-50080 | WASHER SPRING | 1 | | | EXCEPT [NZ][AU] | 0 | 0 |
| 007 | 04512-50080 | WASHER SPRING | 2 | | | [NZ][AU] | 0 | 0 |
| 008 | 05411-00628 | PIN SPRING | 1 | | | EXCEPT [NZ][AU] | 0.004 | 0.0088 |
| 008 | 05411-00628 | PIN SPRING | 2 | | | [NZ][AU] | 0.004 | 0.0088 |
| 009 | 06914-00120 | GRIP LEVER | 1 | | | EXCEPT [NZ][AU] | 0.018 | 0.0396 |
| 009 | 06914-00120 | GRIP LEVER | 2 | | | [NZ][AU] | 0.018 | 0.0396 |
| 010 | 36200-80410 | GEAR 31 | 1 | | | | 1.1 | 2.42 |
| 011 | 36200-80450 | FORK PTO SHIFT | 1 | | | | 0.368 | 0.8096 |
| 012 | 36200-31350 | LEVER SHIFT | 1 | | | | 0.157 | 0.3454 |
| 012 | 36200-31352 | LEVER SHIFT | 1 | >=10001 | | | 0 | 0 |
| 013 | 36200-80470 | LEVER PTO | 1 | | | | 0.377 | 0.8294 |
| 014 | 36200-80240 | FORK SHIFT | 1 | | | [NZ][AU] | 0.47 | 1.034 |
| 015 | 36200-80250 | ROD | 1 | | | [NZ][AU] | 0.126 | 0.2772 |
| 016 | 36200-80260 | LEVER SHIFT | 1 | | | [NZ][AU] | 0.17 | 0.374 |
| 017 | 36200-80270 | LEVER PTO | 1 | | | [NZ][AU] | 0.237 | 0.5214 |

POSITION OPERATE



REF. No. 36200-8155-0



Discontinue.

REF. No. 36200-8151-3





POSITION OPERATE

↔ Interchangeable; ≠ not interchangeable; ← new for old; → old for new

| REF.No | Part No. | Description | Q'ty | S.No. | I/C | REMARKS | Weight (kgf) | Weight (lb) |
|--------|-------------|--------------------|------|-------|-----|---------|--------------|-------------|
| 001 | 36200-81110 | SHAFT | 1 | | | | 0.44 | 0.968 |
| 002 | 04811-00180 | O RING | 1 | | | | 0.001 | 0.0022 |
| 003 | 36200-81120 | SHAFT | 1 | | | | 0.324 | 0.7128 |
| 004 | 04811-06260 | O RING | 1 | | | | 0.001 | 0.0022 |
| 005 | 04612-00300 | CIR-CLIP EXTERNAL | 1 | | | | 0.003 | 0.0066 |
| 006 | 05712-00510 | KEY | 1 | | | | 0.002 | 0.0044 |
| 007 | 36200-81130 | BRACKET | 1 | | | | 0.56 | 1.232 |
| 008 | 01153-50822 | BOLT | 3 | | | | 0.011 | 0.0242 |
| 009 | 04512-50080 | WASHER SPRING | 3 | | | | 0 | 0 |
| 010 | 36200-81150 | CONNECTER POSITION | 1 | | | | 0 | 0 |
| 011 | 04012-50080 | WASHER PLAIN | 1 | | | | 0.001 | 0.0022 |
| 012 | 05511-51612 | PIN SPLIT | 1 | | | | 0.001 | 0.0022 |
| 013 | 36200-81160 | RETAINER | 1 | | | | 0.094 | 0.2068 |
| 014 | 36200-81170 | PIN | 1 | | | | 0.021 | 0.0462 |
| 015 | 05411-00420 | PIN SPRING | 1 | | | | 0.001 | 0.0022 |
| 016 | 04612-00100 | CIR-CLIP EXTERNAL | 1 | | | | 0.001 | 0.0022 |
| 017 | 36200-81180 | SHAFT | 1 | | | | 0.326 | 0.7172 |
| 018 | 36200-81190 | STOPPER | 1 | | | | 0.008 | 0.0176 |
| 019 | 04811-10120 | O RING | 2 | | | | 0.001 | 0.0022 |
| 020 | 01153-50816 | BOLT | 1 | | | | 0.01 | 0.022 |
| 021 | 04512-50080 | WASHER SPRING | 1 | | | | 0 | 0 |
| 022 | 04011-50140 | WASHER PLAIN | 2 | | | | 0.007 | 0.0154 |
| 023 | 36200-81210 | CIR-CLIP | 2 | | | | 0.001 | 0.0022 |
| 024 | 36200-81220 | ROLLER | 3 | | | | 0.008 | 0.0176 |
| 025 | 36200-81230 | CONNECTER | 1 | | | | 0.166 | 0.3652 |
| 026 | 36200-81240 | BALANCER POSITION | 1 | | | | 0 | 0 |
| 027 | 36200-81250 | CAM | 1 | | | | 0.25 | 0.55 |
| 028 | 01173-51022 | BOLT | 1 | | | | 0.019 | 0.0418 |
| 029 | 04512-50100 | WASHER SPRING | 1 | | | | 0 | 0 |
| 030 | 04612-00100 | CIR-CLIP EXTERNAL | 2 | | | | 0.001 | 0.0022 |
| 031 | 36200-81260 | BRACKET 1 | 1 | | | | 0 | 0 |
| 032 | 36200-81270 | BRACKET 2 | 1 | | | | 0.026 | 0.0572 |
| 033 | 36200-81280 | SPRING | 1 | | | | 0.019 | 0.0418 |
| 034 | 05122-50630 | PIN JOINT | 1 | | | | 0.006 | 0.0132 |
| 035 | 04012-50060 | WASHER PLAIN | 2 | | | | 0.001 | 0.0022 |
| 036 | 05122-50625 | PIN JOINT | 1 | | | | 0.006 | 0.0132 |
| 037 | 05511-51612 | PIN SPLIT | 2 | | | | 0.001 | 0.0022 |
| 038 | 36200-81310 | LINK 1 | 1 | | | | 0.064 | 0.1408 |
| 039 | 04012-50080 | WASHER PLAIN | 1 | | | | 0.001 | 0.0022 |
| 040 | 05511-51612 | PIN SPLIT | 1 | | | | 0.001 | 0.0022 |
| 041 | 36200-81320 | LINK 2 | 1 | | | | 0 | 0 |
| 042 | 05122-50818 | PIN JOINT | 2 | | | | 0.008 | 0.0176 |
| 043 | 04012-50080 | WASHER PLAIN | 2 | | | | 0.001 | 0.0022 |
| 044 | 05511-50215 | PIN SPLIT | 2 | | | | 0.001 | 0.0022 |
| 045 | 36200-81330 | BUSH | 1 | | | | 0.04 | 0.088 |
| 046 | 36200-81340 | CAM | 1 | | | | 0.145 | 0.319 |
| 047 | 04811-05120 | O RING | 1 | | | | 0.001 | 0.0022 |
| 048 | 04612-00150 | CIR-CLIP EXTERNAL | 1 | | | | 0.001 | 0.0022 |
| 049 | 36200-81350 | LEVER | 1 | | | | 0.074 | 0.1628 |
| 050 | 05411-00525 | PIN SPRING | 1 | | | | 0.002 | 0.0044 |
| 051 | 36200-81360 | LEVER | 1 | | | | 0.184 | 0.4048 |
| 052 | 01173-51028 | BOLT | 2 | | | | 0.022 | 0.0484 |
| 053 | 04512-50100 | WASHER SPRING | 2 | | | | 0 | 0 |
| 054 | 32280-41320 | BRACKET ROD | 1 | | | | 0.05 | 0.11 |
| 055 | 36200-81380 | ROD | 1 | | | | 0.092 | 0.2024 |
| 056 | 02116-50100 | NUT | 1 | | | | 0.004 | 0.0088 |
| 057 | 04011-50100 | WASHER PLAIN | 2 | | | | 0.002 | 0.0044 |
| 058 | 05511-50318 | PIN SPLIT | 2 | | | | 0.001 | 0.0022 |
| 059 | 36200-81410 | GUIDE | 1 | | | | 0.5 | 1.1 |

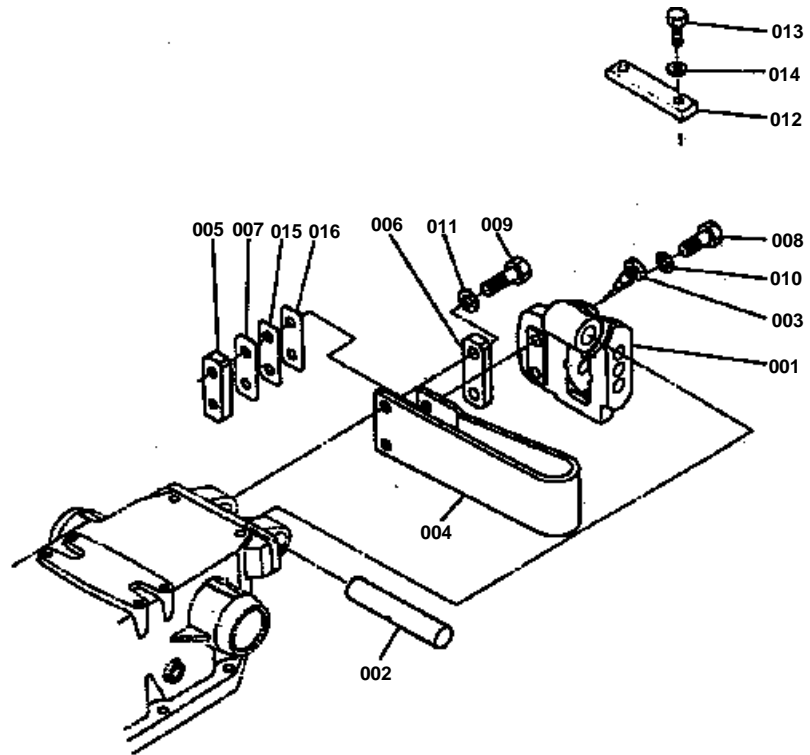


POSITION OPERATE

↔ Interchangeable; ≠ not interchangeable; ← new for old; → old for new

| REF.No | Part No. | Description | Q'ty | S.No. | I/C | REMARKS | Weight (kgf) | Weight (lb) |
|--------|-------------|---------------|------|---------|-----|----------------|--------------|-------------|
| 060 | 36200-81424 | LEVER | 1 | | | | 0.34 | 0.748 |
| 061 | 36200-81530 | BOLT | 1 | | | | 0.016 | 0.0352 |
| 062 | 02056-50060 | NUT | 1 | | | | 0.002 | 0.0044 |
| 063 | 04512-50060 | WASHER SPRING | 1 | | | | 0 | 0 |
| 064 | 36200-81434 | LEVER | 1 | | | | 0.31 | 0.682 |
| 065 | 36200-81440 | WASHER | 1 | | | | 0.005 | 0.011 |
| 066 | 36200-81450 | WASHER | 3 | | | | 0.006 | 0.0132 |
| 067 | 36200-81460 | SPRING | 1 | | | | 0.03 | 0.066 |
| 068 | 36200-81470 | PLATE | 1 | | | | 0.189 | 0.4158 |
| 069 | 36200-81480 | PLATE | 2 | | | | 0.034 | 0.0748 |
| 070 | 36200-81513 | GUIDE | 1 | <=10501 | | [A][AU] | 1 | 2.2 |
| 070 | 35700-81510 | GUIDE | 1 | >=10502 | | [A][AU] | 1 | 2.2 |
| 070 | 36200-81514 | GUIDE | 1 | | | EXCEPT [A][AU] | 0 | 0 |
| 071 | 36200-81520 | STOPPER LEVER | 2 | | | | 0.034 | 0.0748 |
| 072 | 99999-99999 | BLANK | 0 | | | | 0 | 0 |
| 073 | 36200-81540 | NUT | 2 | | | | 0.075 | 0.165 |
| 074 | 04013-50100 | WASHER PLAIN | 2 | | | | 0 | 0 |
| 075 | 34350-36890 | GRIP LEVER | 2 | | | | 0.016 | 0.0352 |
| 076 | 36200-81550 | SPRING | 1 | | | | 0.01 | 0.022 |
| 077 | 01153-50816 | BOLT | 2 | | | | 0.01 | 0.022 |
| 078 | 04512-50080 | WASHER SPRING | 2 | | | | 0 | 0 |
| 079 | 01053-50616 | BOLT | 2 | | | | 0.005 | 0.011 |
| 080 | 04512-50060 | WASHER SPRING | 2 | | | | 0 | 0 |
| 081 | 01153-50870 | BOLT | 1 | | | | 0.026 | 0.0572 |
| 082 | 04512-50080 | WASHER SPRING | 1 | | | | 0 | 0 |
| 083 | 01153-50816 | BOLT | 2 | | | | 0.01 | 0.022 |
| 084 | 04512-50080 | WASHER SPRING | 2 | | | | 0 | 0 |
| 085 | 36200-81610 | COVER | 1 | | | | 0.289 | 0.6358 |
| 086 | 36200-81620 | GASKET | 1 | | | | 0.002 | 0.0044 |
| 087 | 36200-81630 | LEVER | 1 | | | | 0.06 | 0.132 |
| 088 | 36200-81640 | JOINT | 1 | | | | 0.022 | 0.0484 |
| 089 | 04811-00070 | O RING | 1 | | | | 0.001 | 0.0022 |
| 090 | 05411-00320 | PIN SPRING | 2 | | | | 0.001 | 0.0022 |
| 091 | 01513-50822 | STUD | 4 | | | | 0.01 | 0.022 |
| 092 | 02114-50080 | NUT | 4 | | | | 0.005 | 0.011 |
| 093 | 04512-50080 | WASHER SPRING | 4 | | | | 0 | 0 |
| 094 | 36200-81670 | PLUG | 1 | | | | 0 | 0 |
| 095 | 36200-81680 | COVER | 1 | | | | 0.107 | 0.2354 |
| 096 | 36200-81690 | GASKET | 1 | | | | 0.002 | 0.0044 |
| 097 | 01513-50814 | STUD | 3 | | | | 0.008 | 0.0176 |
| 098 | 02114-50080 | NUT | 3 | | | | 0.005 | 0.011 |
| 099 | 04512-50080 | WASHER SPRING | 3 | | | | 0 | 0 |
| 100 | 36200-81710 | ROD 1 | 1 | | | | 0.03 | 0.066 |
| 101 | 36200-81720 | ROD 2 | 1 | | | | 0.037 | 0.0814 |
| 102 | 36200-81730 | BRACKET | 1 | | | | 0.06 | 0.132 |
| 103 | 05122-50830 | PIN JOINT | 1 | | | | 0.014 | 0.0308 |
| 104 | 04012-50080 | WASHER PLAIN | 2 | | | | 0.001 | 0.0022 |
| 105 | 05511-50215 | PIN SPLIT | 2 | | | | 0.001 | 0.0022 |
| 106 | 02112-50080 | NUT | 1 | | | | 0.003 | 0.0066 |
| 107 | 04811-50450 | O RING | 1 | | | | 0.002 | 0.0044 |
| 108 | 04512-50080 | WASHER SPRING | 1 | | | | 0 | 0 |

TOP LINK

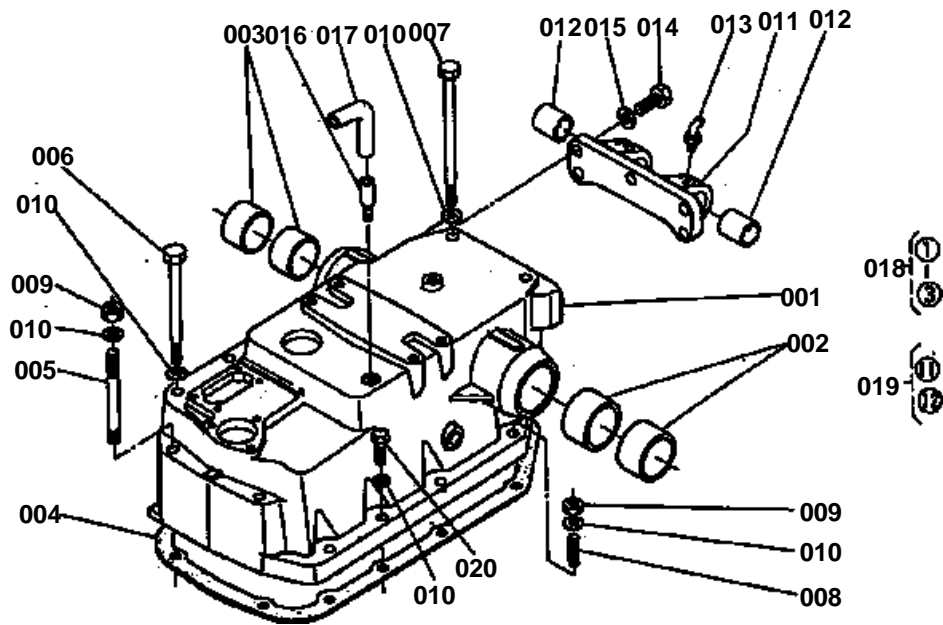


**TOP LINK**

↔ Interchangeable; ≠ not interchangeable; ← new for old; → old for new

| REF.No | Part No. | Description | Q'ty | S.No. | I/C | REMARKS | Weight (kgf) | Weight (lb) |
|--------|-------------|----------------------|------|-------|-----|---------|--------------|-------------|
| 001 | 36200-81810 | BRACKET TOP LINK | 1 | | | | 0 | 0 |
| 002 | 32280-41430 | SHAFT TOP LINK BRACK | 1 | | | | 0.5 | 1.1 |
| 003 | 33251-26350 | BOLT SET | 1 | | | | 0.045 | 0.099 |
| 004 | 36200-81840 | SPRING | 1 | | | | 3.6 | 7.92 |
| 005 | 36200-81850 | RETAINER SPRING 1 | 1 | | | | 0.323 | 0.7106 |
| 006 | 36200-81860 | RETAINER SPRING 2 | 1 | | | | 0.36 | 0.792 |
| 007 | 36200-81870 | SHIM SPRING ADJUST | 3 | | | | 0.005 | 0.011 |
| 008 | 01176-51440 | BOLT | 2 | | | | 0.061 | 0.1342 |
| 009 | 01173-51650 | BOLT | 2 | | | | 0.099 | 0.2178 |
| 010 | 04512-50140 | WASHER SPRING | 2 | | | | 0 | 0 |
| 011 | 04512-50160 | WASHER SPRING | 2 | | | | 0 | 0 |
| 012 | 36200-81880 | BRACKET | 1 | | | | 0.23 | 0.506 |
| 013 | 01173-51230 | BOLT | 2 | | | | 0.037 | 0.0814 |
| 014 | 04512-50120 | WASHER SPRING | 2 | | | | 0 | 0 |
| 015 | 36200-81890 | SHIM SPRING ADJUST 2 | 1 | | | | 0.056 | 0.1232 |
| 016 | 36200-81830 | SHIM SPRING ADJUST 3 | 2 | | | | 0.003 | 0.0066 |

CYLINDER

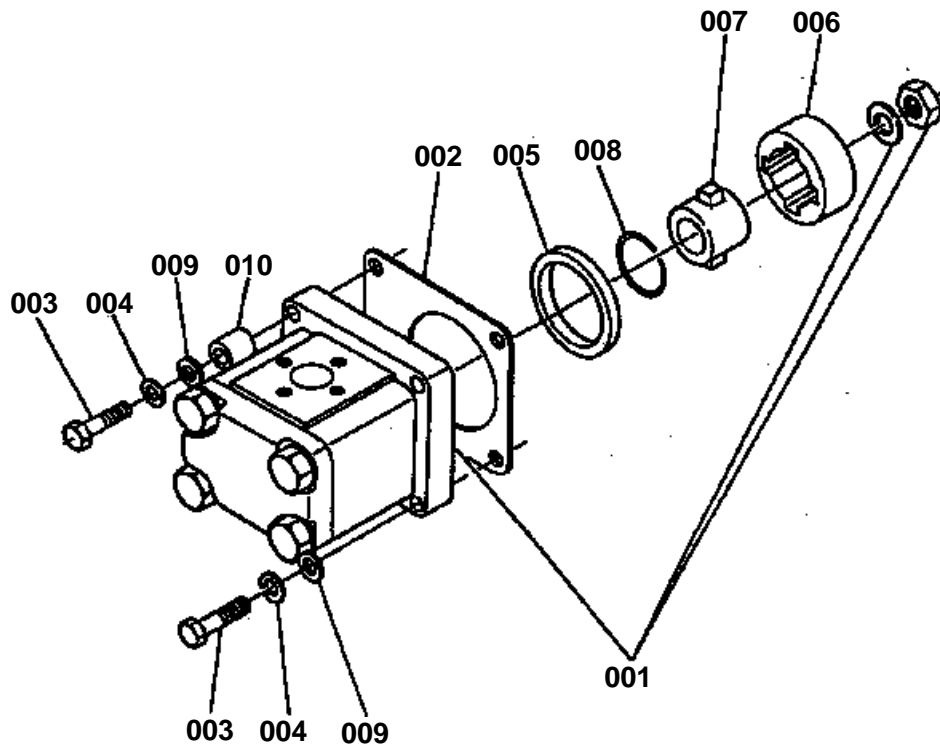


**CYLINDER**

↔ Interchangeable; ≠ not interchangeable; ← new for old; → old for new

| REF.No | Part No. | Description | Q'ty | S.No. | I/C | REMARKS | Weight (kgf) | Weight (lb) |
|--------|-------------|----------------------|------|-------|-----|---------------------|--------------|-------------|
| 001 | 99999-99999 | BLANK | 0 | | | ORDER BY REF.No.018 | 0 | 0 |
| 002 | 33251-82060 | BUSH O/P ARM SHAFT R | 2 | | | | 0 | 0 |
| 003 | 36200-82130 | BUSH O/P ARM SHAFT L | 2 | | | | 0 | 0 |
| 004 | 36200-82140 | GASKET | 1 | | | | 0 | 0 |
| 005 | 36200-82150 | STUD | 2 | | | | 0.12 | 0.264 |
| 006 | 36200-82160 | BOLT | 3 | | | | 0.14 | 0.308 |
| 007 | 35702-82170 | BOLT | 2 | | | [A][NZ][AU] | 0.196 | 0.4312 |
| 007 | 36200-82170 | BOLT | 2 | | | EXCEPT [A][NZ][AU] | 0.17 | 0.374 |
| 008 | 01574-51240 | STUD | 2 | | | | 0 | 0 |
| 009 | 02176-50120 | NUT | 4 | | | | 0.01 | 0.022 |
| 010 | 04512-50120 | WASHER SPRING | 12 | | | | 0 | 0 |
| 011 | 99999-99999 | BLANK | 0 | | | ORDER BY REF.No.019 | 0 | 0 |
| 012 | 32280-41440 | BUSH | 2 | | | | 0.044 | 0.0968 |
| 013 | 06613-30010 | NIPPLE GREASE | 2 | | | | 0.01 | 0.022 |
| 014 | 01173-51235 | BOLT | 5 | | | | 0.04 | 0.088 |
| 015 | 04512-50120 | WASHER SPRING | 5 | | | | 0 | 0 |
| 016 | 36200-21610 | BREATHER 1 | 1 | | | | 0.008 | 0.0176 |
| 017 | 36200-21620 | BREATHER 2 | 1 | | | | 0.006 | 0.0132 |
| 018 | 36200-82100 | ASSY CYLINDER OIL PR | 1 | | | | 35.75 | 78.65 |
| 019 | 36200-82120 | ASSY BRACKET TOP LIN | 1 | | | | 2.002 | 4.4044 |
| 020 | 01173-51240 | BOLT | 3 | | | | 0.045 | 0.099 |

OIL PUMP





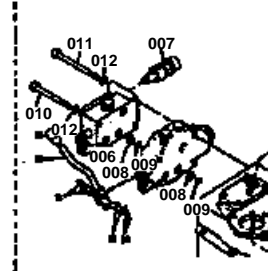
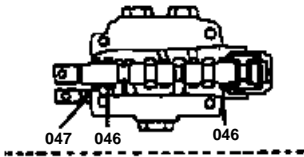
OIL PUMP

↔ Interchangeable; ≠ not interchangeable; ← new for old; → old for new

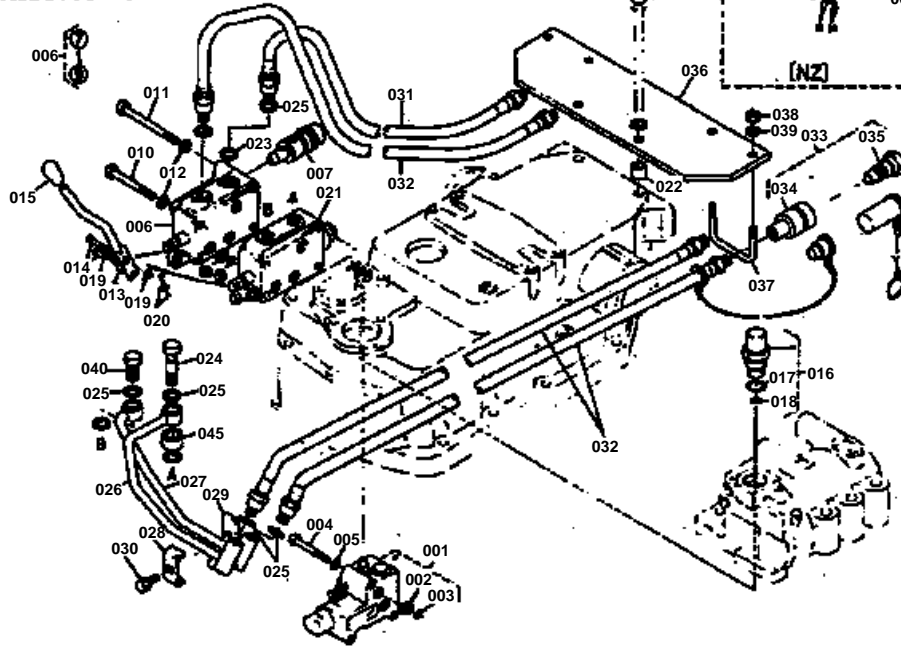
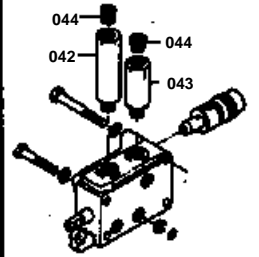
| REF.No | Part No. | Description | Q'ty | S.No. | I/C | REMARKS | Weight (kgf) | Weight (lb) |
|--------|-------------|-------------------|------|-------|-----|---------|--------------|-------------|
| 001 | 36500-82204 | PUMP OIL PRESSURE | 1 | | | | 0 | 0 |
| 002 | 36500-63220 | GASKET | 1 | | | | 0 | 0 |
| 003 | 01053-50630 | BOLT | 4 | | | | 0.009 | 0.0198 |
| 004 | 04512-50060 | WASHER SPRING | 4 | | | | 0 | 0 |
| 005 | 36500-82230 | RING 1 | 1 | | | | 0.05 | 0.11 |
| 006 | 33251-82170 | RING 2 | 1 | | | | 0.11 | 0.242 |
| 007 | 33430-82180 | HUB | 1 | | | | 0.063 | 0.1386 |
| 008 | 04612-00250 | CIR-CLIP EXTERNAL | 1 | | | | 0.002 | 0.0044 |
| 009 | 04013-50060 | WASHER PLAIN | 4 | | | | 0 | 0 |
| 010 | 36500-82220 | COLLAR | 1 | | | | 0.003 | 0.0066 |

CONTROL VALVE [A][NZ]

REF. No. 35420-2228-0 26208-0235-0
35450-8237-0 35450-8238-0



REF. No. 35450-8238-0
35450-8237-0
35450-8238-0





CONTROL VALVE [A][NZ]

↔ Interchangeable; ≠ not interchangeable; ← new for old; → old for new

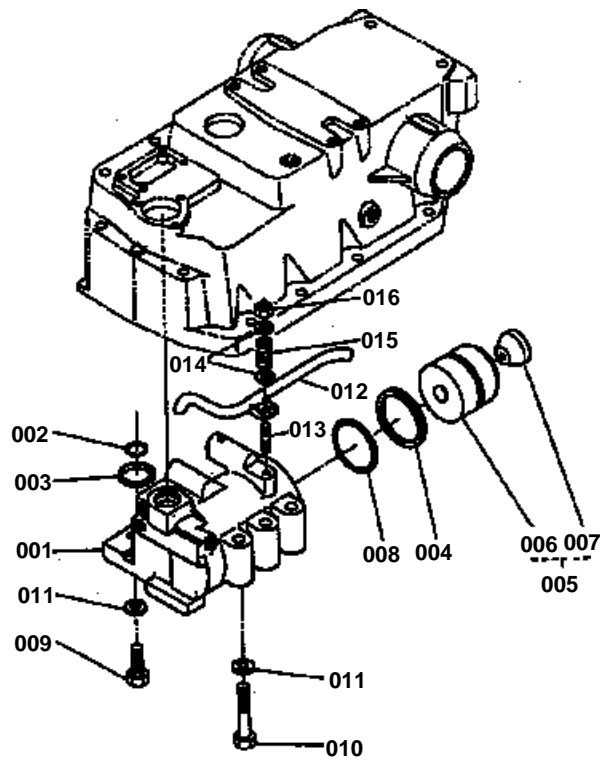
| REF.No | Part No. | Description | Q'ty | S.No. | I/C | REMARKS | Weight (kgf) | Weight (lb) |
|--------|-------------|---------------------|------|--------|-----|---------|--------------|-------------|
| 001 | 36200-82300 | ASSY VALVE CONTROL | 1 | | | | 0.12 | 0.264 |
| 002 | 36200-82330 | RING | 2 | | | | 0.001 | 0.0022 |
| 003 | 04811-00140 | O RING | 2 | | | | 0.001 | 0.0022 |
| 004 | 01153-50855 | BOLT | 3 | | | | 0.023 | 0.0506 |
| 005 | 04512-50080 | WASHER SPRING | 3 | | | | 0 | 0 |
| 006 | 35450-82350 | ASSY VALVE CONTROL | 1 | | | [A] | 3.56 | 7.832 |
| 006 | 36200-82350 | ASSY VALVE CONTROL | 1 | | | [NZ] | 3.06 | 6.732 |
| 007 | 36200-82360 | ASSY VALVE RELIEF | 1 | | | | 0.25 | 0.55 |
| 008 | 36200-82330 | RING | 3 | | | [A] | 0.001 | 0.0022 |
| 008 | 36200-82330 | RING | 6 | | | [NZ] | 0.001 | 0.0022 |
| 009 | 04811-00140 | O RING | 3 | | | [A] | 0.001 | 0.0022 |
| 009 | 04811-00140 | O RING | 6 | | | [NZ] | 0.001 | 0.0022 |
| 010 | 01153-50855 | BOLT | 3 | | | | 0.023 | 0.0506 |
| 010 | 01153-50895 | BOLT | 3 | ≥10001 | | | 0.035 | 0.077 |
| 011 | 01153-50880 | BOLT | 1 | | | | 0.03 | 0.066 |
| 011 | 54516-15140 | BOLT | 1 | ≥10001 | | | 0.048 | 0.1056 |
| 012 | 04512-50080 | WASHER SPRING | 4 | | | | 0 | 0 |
| 013 | 36200-82390 | LEVER | 1 | | | | 0.147 | 0.3234 |
| 013 | 36200-82390 | LEVER | 2 | ≥10001 | | | 0.147 | 0.3234 |
| 014 | 05122-50622 | PIN JOINT | 2 | | | | 0.005 | 0.011 |
| 014 | 05122-50622 | PIN JOINT | 4 | ≥10001 | | | 0.005 | 0.011 |
| 015 | 06914-00100 | GRIP | 1 | | | | 0.02 | 0.044 |
| 015 | 06914-00100 | GRIP | 2 | ≥10001 | | | 0.02 | 0.044 |
| 016 | 33251-82400 | ASSY VALVE SAFETY | 1 | | | | 0.205 | 0.451 |
| 017 | 04811-40140 | O RING | 1 | | | | 0.001 | 0.0022 |
| 018 | 04811-00110 | O RING | 1 | | | | 0.001 | 0.0022 |
| 019 | 04012-50060 | WASHER PLAIN | 2 | | | | 0.001 | 0.0022 |
| 019 | 04012-50060 | WASHER PLAIN | 4 | ≥10001 | | | 0.001 | 0.0022 |
| 020 | 05511-51612 | PIN SPLIT | 2 | | | | 0.001 | 0.0022 |
| 020 | 05511-51612 | PIN SPLIT | 4 | ≥10001 | | | 0.001 | 0.0022 |
| 021 | 99653-93110 | ASSY VALVE CONTROL | 1 | ≥10502 | | [A] | 2.8 | 6.16 |
| 021 | 99653-93110 | ASSY VALVE CONTROL | 1 | | | [NZ] | 2.8 | 6.16 |
| 022 | 35700-82191 | COLLAR | 2 | ≥10502 | | [A] | 0 | 0 |
| 023 | 35700-82490 | RING | 4 | ≥10502 | | [A] | 0.001 | 0.0022 |
| 024 | 35700-82320 | JOINT 2 | 1 | | | [A] | 0.1 | 0.22 |
| 024 | 35700-82323 | JOINT 2 | 1 | ≥10502 | | [A] | 0 | 0 |
| 025 | 04724-00180 | GASKET | 6 | | | [A] | 0.005 | 0.011 |
| 025 | 35700-82480 | GASKET | 8 | ≥10502 | | [A] | 0.002 | 0.0044 |
| 026 | 35700-82330 | OIL PIPE UPPER | 1 | | | [A] | 0.3 | 0.66 |
| 026 | 35700-82334 | OIL PIPE UPPER | 1 | ≥10502 | | [A] | 0 | 0 |
| 027 | 35700-82340 | OIL PIPE LOWER | 1 | | | [A] | 0.3 | 0.66 |
| 027 | 35700-82344 | OIL PIPE LOWER | 1 | ≥10502 | | [A] | 0 | 0 |
| 028 | 35700-82350 | STAY PIPE 1 | 1 | ≥10502 | | [A] | 0.03 | 0.066 |
| 029 | 35700-82360 | STAY PIPE 2 | 1 | ≥10502 | | [A] | 0.1 | 0.22 |
| 030 | 01120-50822 | BOLT | 1 | ≥10502 | | [A] | 0 | 0 |
| 031 | 35700-82370 | PIPE 1 | 1 | ≥10502 | | [A] | 0.325 | 0.715 |
| 032 | 35700-82380 | PIPE 2 | 3 | ≥10502 | | [A] | 0.34 | 0.748 |
| 033 | 35700-82400 | ASSY COUPLER | 4 | ≥10502 | | [A] | 0.45 | 0.99 |
| 034 | 35700-82410 | ASSY COUPLER FEMALE | 4 | ≥10502 | | [A] | 0 | 0 |
| 035 | 35700-82421 | ASSY COUPLER MALE | 4 | ≥10502 | | [A] | 0 | 0 |
| 036 | 35700-82430 | STAY | 1 | ≥10502 | | [A] | 1.3 | 2.86 |
| 037 | 35700-82440 | BOLT U | 2 | ≥10502 | | [A] | 0.04 | 0.088 |
| 038 | 02014-50060 | NUT | 4 | ≥10502 | | [A] | 0.003 | 0.0066 |
| 039 | 04512-50060 | WASHER SPRING | 4 | ≥10502 | | [A] | 0 | 0 |
| 040 | 99999-99999 | BLANK | 0 | | | | 0 | 0 |
| 041 | 35700-82461 | JOINT 3 | 1 | | | [A] | 0 | 0 |
| 041 | 35700-82462 | JOINT 3 | 1 | | | [A] | 0 | 0 |
| 042 | 35450-82361 | JOINT HOSE 1 | 1 | | | | 0 | 0 |
| 042 | 35450-82362 | JOINT HOSE 1 | 1 | ≥10001 | | | 0 | 0 |



CONTROL VALVE [A][NZ]

↔ Interchangeable; ≠ not interchangeable; ← new for old; → old for new

| REF.No | Part No. | Description | Q'ty | S.No. | I/C | REMARKS | Weight (kgf) | Weight (lb) |
|--------|-------------|--------------|------|---------|-----|---------|--------------|-------------|
| 043 | 35450-82371 | JOINT HOSE 2 | 1 | | | | 0 | 0 |
| 043 | 35450-82372 | JOINT HOSE 2 | 1 | >=10001 | | | 0 | 0 |
| 044 | 35450-82380 | PLUG | 2 | | | | 0.015 | 0.033 |
| 045 | 35700-82470 | PIPE | 1 | | | [A] | 0.02 | 0.044 |
| 046 | 36200-82810 | SEAL SPOOL | 2 | | | | 0.001 | 0.0022 |
| 047 | 36200-82820 | SEAL DUST | 1 | | | | 0.002 | 0.0044 |



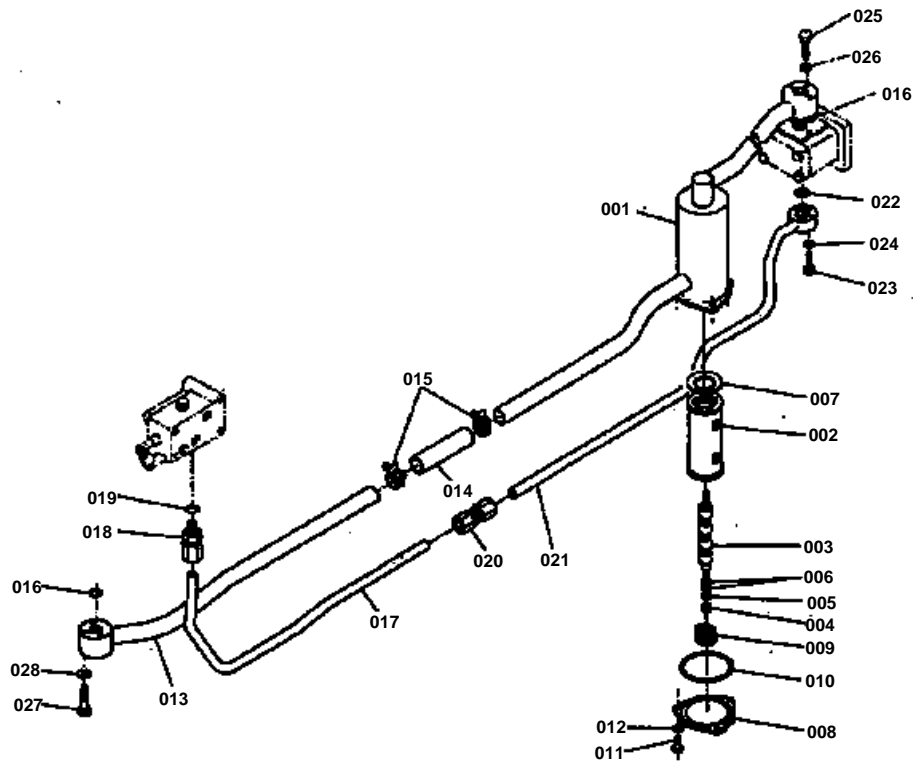


OIL PUMP CYLINDER LINER

↔ Interchangeable; ≠ not interchangeable; ← new for old; → old for new

| REF.No | Part No. | Description | Q'ty | S.No. | I/C | REMARKS | Weight (kgf) | Weight (lb) |
|--------|-------------|----------------------|------|-------|-----|---------|--------------|-------------|
| 001 | 36200-82510 | LINER O/P CYLINDER | 1 | | | | 9.7 | 21.34 |
| 002 | 04811-00140 | O RING | 1 | | | | 0.001 | 0.0022 |
| 003 | 36200-82330 | RING BACK UP | 1 | | | | 0.001 | 0.0022 |
| 004 | 33251-82550 | RING BACK UP | 1 | | | | 0.004 | 0.0088 |
| 005 | 33251-82560 | ASSY PISTON OIL PRES | 1 | | | | 2 | 4.4 |
| 006 | 33251-82570 | PISTON OIL PRESSURE | 1 | | | | 0 | 0 |
| 007 | 33251-82580 | SEAT | 1 | | | | 0.17 | 0.374 |
| 008 | 33251-82590 | O RING | 1 | | | | 0.005 | 0.011 |
| 009 | 36200-82290 | BOLT | 3 | | | | 0.045 | 0.099 |
| 010 | 36200-82340 | BOLT | 3 | | | | 0.076 | 0.1672 |
| 011 | 04512-50120 | WASHER SPRING | 6 | | | | 0 | 0 |
| 012 | 36200-81760 | PIPE | 1 | | | | 0.07 | 0.154 |
| 013 | 01513-50830 | STUD | 1 | | | | 0 | 0 |
| 014 | 04012-50080 | WASHER PLAIN | 2 | | | | 0.001 | 0.0022 |
| 015 | 36200-81770 | SPRING | 1 | | | | 0.003 | 0.0066 |
| 016 | 41011-51510 | NUT LOCK | 1 | | | | 0.006 | 0.0132 |

FILTER CASE

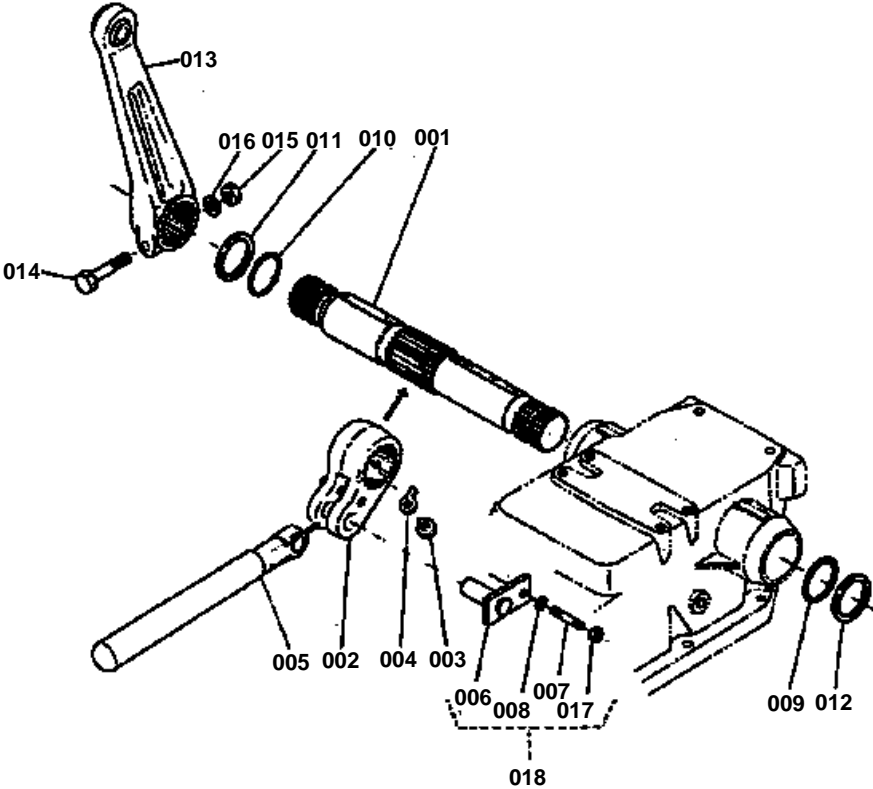


**FILTER CASE**

↔ Interchangeable; ≠ not interchangeable; ← new for old; → old for new

| REF.No | Part No. | Description | Q'ty | S.No. | I/C | REMARKS | Weight (kgf) | Weight (lb) |
|--------|-------------|----------------------|------|-------|-----|---------|--------------|-------------|
| 001 | 36300-82602 | COMP CASE FILTER | 1 | | | | 2.7 | 5.94 |
| 002 | 36200-82630 | COMP FILTER OIL PRES | 1 | | | | 0.255 | 0.561 |
| 003 | 36200-82640 | FILTER | 1 | | | | 0 | 0 |
| 004 | 02014-50060 | NUT | 1 | | | | 0.003 | 0.0066 |
| 005 | 04512-50060 | WASHER SPRING | 1 | | | | 0 | 0 |
| 006 | 04013-50060 | WASHER PLAIN | 2 | | | | 0 | 0 |
| 007 | 36200-82650 | GASKET FILTER | 1 | | | | 0.01 | 0.022 |
| 008 | 36200-82662 | COVER FILTER CASE | 1 | | | | 0.67 | 1.474 |
| 009 | 36200-82670 | SPRING | 1 | | | | 0.035 | 0.077 |
| 010 | 04811-50950 | O RING | 1 | | | | 0.003 | 0.0066 |
| 011 | 01153-50822 | BOLT | 3 | | | | 0.011 | 0.0242 |
| 012 | 04512-50080 | WASHER SPRING | 3 | | | | 0 | 0 |
| 013 | 36200-82700 | COMP PIPE | 1 | | | | 1.12 | 2.464 |
| 014 | 36200-82730 | PIPE | 1 | | | | 0.078 | 0.1716 |
| 015 | 36200-82720 | CLAMP | 4 | | | | 0.025 | 0.055 |
| 016 | 04811-00220 | O RING | 2 | | | | 0.001 | 0.0022 |
| 017 | 36200-82740 | PIPE | 1 | | | | 0.384 | 0.8448 |
| 018 | 36200-82750 | JOINT | 1 | | | | 0.145 | 0.319 |
| 019 | 04811-00180 | O RING | 1 | | | | 0.001 | 0.0022 |
| 020 | 36200-82760 | JOINT | 1 | | | | 0 | 0 |
| 021 | 36300-82770 | COMP PIPE | 1 | | | | 0.66 | 1.452 |
| 022 | 04811-40120 | O RING | 1 | | | | 0.001 | 0.0022 |
| 023 | 01053-50635 | BOLT | 3 | | | | 0.009 | 0.0198 |
| 024 | 04512-50060 | WASHER SPRING | 3 | | | | 0 | 0 |
| 025 | 01153-50850 | BOLT | 3 | | | | 0.02 | 0.044 |
| 026 | 04512-50080 | WASHER SPRING | 3 | | | | 0 | 0 |
| 027 | 01153-50850 | BOLT | 3 | | | | 0.02 | 0.044 |
| 028 | 04512-50080 | WASHER SPRING | 3 | | | | 0 | 0 |

OIL PUMP ARM SHAFT



REVISION 00000-0007-0
001023-51016
001111-00100

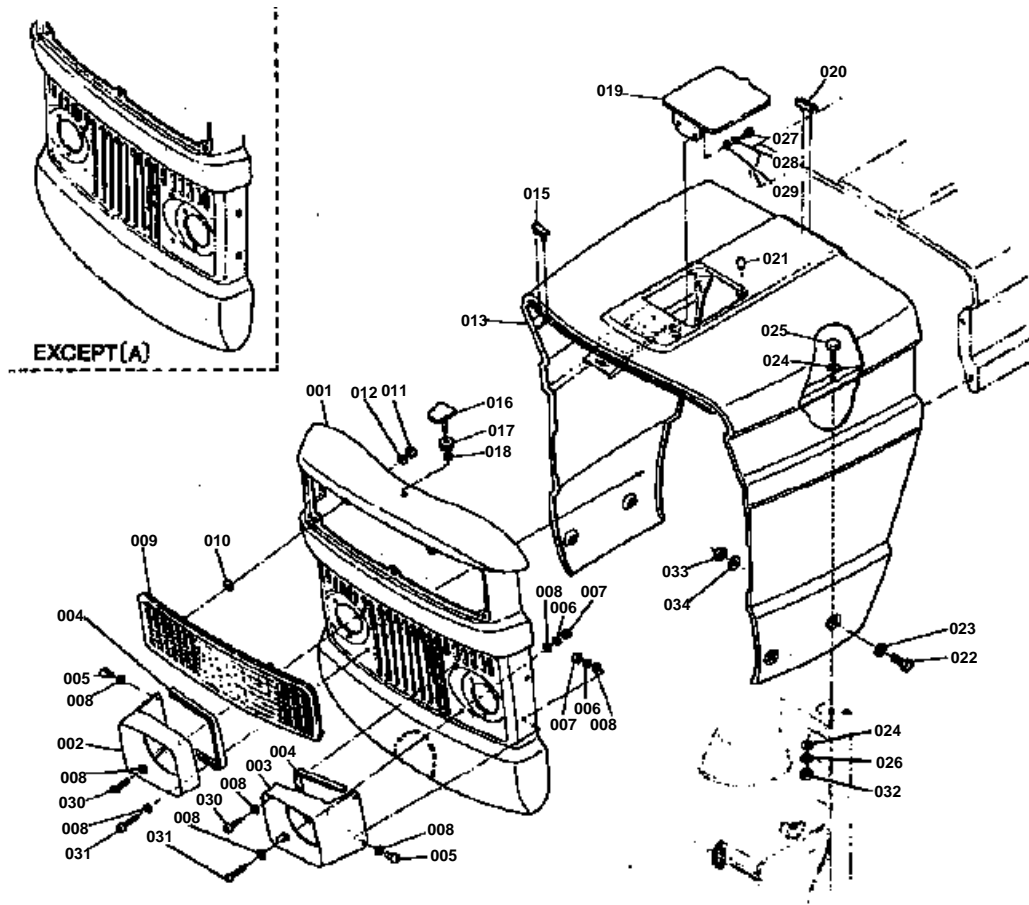


**OIL PUMP ARM SHAFT**

↔ Interchangeable; ≠ not interchangeable; ← new for old; → old for new

| REF.No | Part No. | Description | Q'ty | S.No. | I/C | REMARKS | Weight (kgf) | Weight (lb) |
|--------|-------------|------------------|------|--------|-----|---------------------|--------------|-------------|
| 001 | 36200-82830 | SHAFT O/P ARM | 1 | | | | 6.8 | 14.96 |
| 002 | 36200-82840 | ARM OIL PRESSURE | 1 | | | | 0 | 0 |
| 003 | 33251-82850 | BOLT | 1 | | | | 0.015 | 0.033 |
| 004 | 04111-50100 | WASHER SPRING | 1 | | | | 0.003 | 0.0066 |
| 005 | 36200-82860 | ROD O/P PISTON | 1 | | | | 0.5 | 1.1 |
| 006 | 99999-99999 | BLANK | 0 | | | ORDER BY REF.No.018 | 0 | 0 |
| 007 | 01173-51016 | BOLT | 1 | ≤10455 | | | 0.012 | 0.0264 |
| 007 | 36200-82880 | STUD | 1 | ≥10456 | | | 0.019 | 0.0418 |
| 008 | 04111-50100 | WASHER SPRING | 1 | ≤10455 | | | 0.003 | 0.0066 |
| 008 | 04512-50100 | WASHER SPRING | 1 | ≥10456 | | | 0 | 0 |
| 009 | 04811-40310 | O RING | 1 | | | | 0.005 | 0.011 |
| 010 | 04811-40320 | O RING | 1 | | | | 0.005 | 0.011 |
| 011 | 33251-82880 | COLLAR RH | 1 | | | | 0.03 | 0.066 |
| 012 | 36200-82890 | COLLAR LH | 1 | | | | 0.019 | 0.0418 |
| 013 | 36500-82900 | COMP LEVER | 2 | | | | 4.81 | 10.582 |
| 014 | 01173-51400 | BOLT | 2 | | | | 0.12 | 0.264 |
| 015 | 02174-50140 | NUT | 2 | | | | 0.014 | 0.0308 |
| 016 | 04512-50140 | WASHER SPRING | 2 | | | | 0 | 0 |
| 017 | 15221-03510 | NUT | 1 | | | | 0.008 | 0.0176 |
| 018 | 36200-97640 | KIT PIN | 1 | | | | 0.24 | 0.528 |

BONNET 1

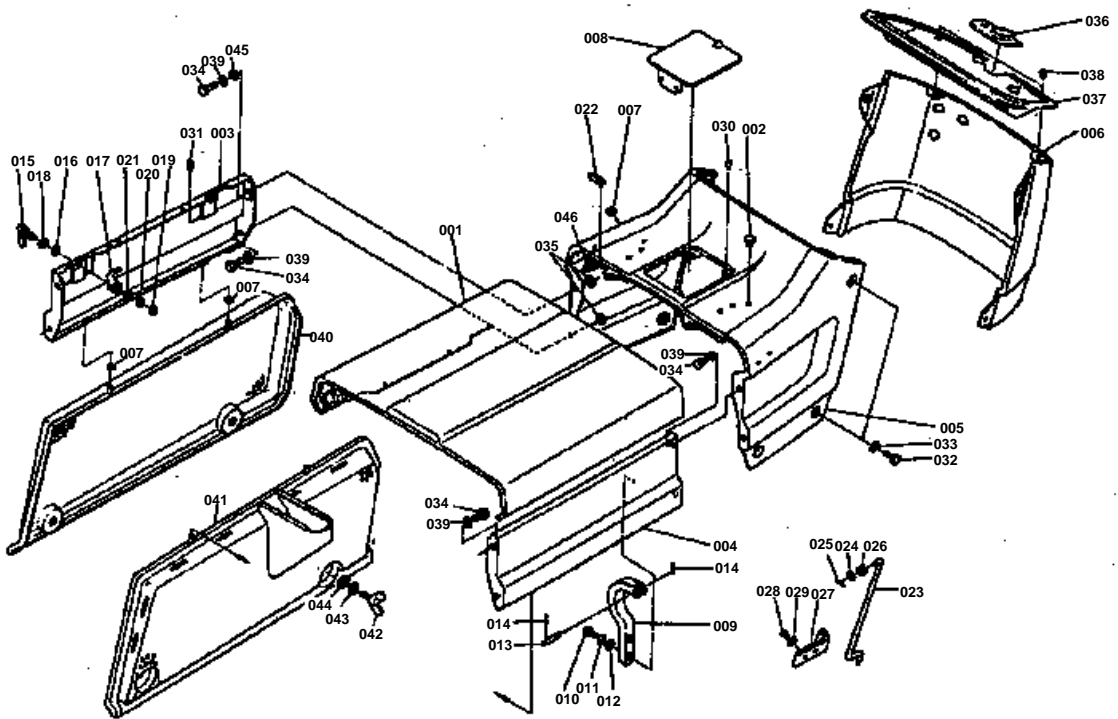


**BONNET 1**

↔ Interchangeable; ≠ not interchangeable; ← new for old; → old for new

| REF.No | Part No. | Description | Q'ty | S.No. | I/C | REMARKS | Weight (kgf) | Weight (lb) |
|--------|-------------|--------------------|------|-------|-----|-------------|--------------|-------------|
| 001 | 36200-83280 | ASSY COVER FRONT | 1 | | | [A] | 0 | 0 |
| 001 | 35450-83280 | ASSY COVER FRONT | 1 | | | [A] | 5 | 11 |
| 001 | 36200-83280 | ASSY COVER FRONT | 1 | | | EXCEPT [A] | 0 | 0 |
| 002 | 35450-83430 | COVER LAMP HEAD RH | 1 | | | [A] | 0.39 | 0.858 |
| 002 | 36200-83430 | COVER LAMP HEAD RH | 1 | | | EXCEPT [A] | 0.45 | 0.99 |
| 003 | 35450-83440 | COVER LAMP HEAD LH | 1 | | | [A] | 0.39 | 0.858 |
| 003 | 36200-83440 | COVER LAMP HEAD LH | 1 | | | EXCEPT [A] | 0.37 | 0.814 |
| 004 | 36200-83350 | CUSHION | 2 | | | | 0.003 | 0.0066 |
| 005 | 03054-50512 | SCREW PAN HEAD | 4 | | | | 0.003 | 0.0066 |
| 006 | 04512-50050 | WASHER SPRING | 8 | | | | 0 | 0 |
| 007 | 02054-50050 | NUT | 8 | | | | 0.002 | 0.0044 |
| 008 | 04012-50050 | WASHER PLAIN | 16 | | | | 0.001 | 0.0022 |
| 009 | 33251-83680 | GRILLE BONNET | 1 | | | | 0 | 0 |
| 010 | 33251-83910 | CUSHION | 5 | | | | 0.001 | 0.0022 |
| 011 | 02054-50040 | NUT | 5 | | | | 0.001 | 0.0022 |
| 012 | 04013-50040 | WASHER PLAIN | 5 | | | | 0 | 0 |
| 013 | 33400-83372 | ASSY COVER FRONT | 1 | | | EXCEPT [AU] | 10 | 22 |
| 014 | 99999-99999 | BLANK | 0 | | | | 0 | 0 |
| 015 | 33251-83510 | CUSHION 2 | 2 | | | | 0.008 | 0.0176 |
| 016 | 33251-83460 | PIN BONNET SUPPORT | 1 | | | | 0.045 | 0.099 |
| 017 | 33251-83470 | SPRING | 5 | | | | 0.001 | 0.0022 |
| 018 | 33251-83480 | SPACER | 1 | | | | 0.001 | 0.0022 |
| 019 | 33251-83700 | ASSY COVER BONNET | 2 | | | | 0.265 | 0.583 |
| 020 | 33251-83870 | CUSHION BONNET | 6 | | | | 0.007 | 0.0154 |
| 021 | 33251-90120 | CUSHION | 4 | | | | 0.001 | 0.0022 |
| 022 | 36500-83970 | BOLT SET | 4 | | | | 0.024 | 0.0528 |
| 023 | 04411-50300 | WASHER | 4 | | | | 0.001 | 0.0022 |
| 024 | 04013-50100 | WASHER | 4 | | | | 0 | 0 |
| 025 | 01173-51020 | BOLT | 2 | | | | 0.017 | 0.0374 |
| 026 | 04512-50100 | WASHER SPRING | 2 | | | | 0 | 0 |
| 027 | 01053-50616 | BOLT | 2 | | | | 0.005 | 0.011 |
| 028 | 04512-50060 | WASHER SPRING | 2 | | | | 0 | 0 |
| 029 | 04012-50060 | WASHER PLAIN | 2 | | | | 0.001 | 0.0022 |
| 030 | 03054-50535 | SCREW PAN HEAD | 2 | | | | 0.005 | 0.011 |
| 031 | 03054-50545 | SCREW PAN HEAD | 2 | | | | 0.006 | 0.0132 |
| 032 | 02118-50100 | NUT | 2 | | | | 0.005 | 0.011 |
| 033 | 02114-50100 | NUT | 4 | | | | 0.005 | 0.011 |
| 034 | 04011-50100 | WASHER PLAIN | 4 | | | | 0.002 | 0.0044 |

BONNET 2

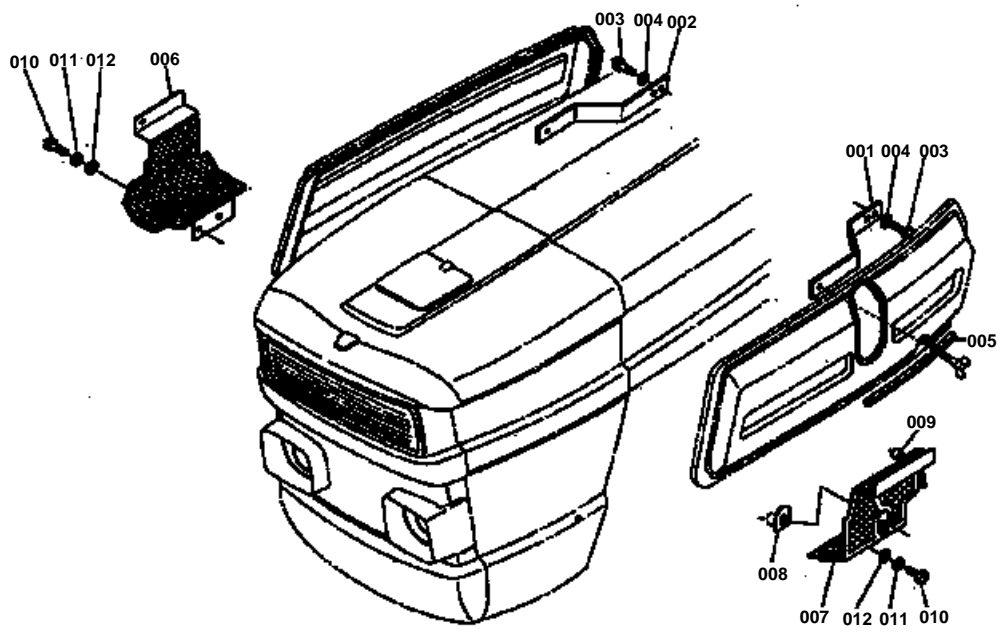


**BONNET 2**

↔ Interchangeable; ≠ not interchangeable; ← new for old; → old for new

| REF.No | Part No. | Description | Q'ty | S.No. | I/C | REMARKS | Weight (kgf) | Weight (lb) |
|--------|-------------|----------------------|------|-------|-----|-------------|--------------|-------------|
| 001 | 36300-83020 | ASSY COVER BONNET | 1 | | | | 6 | 13.2 |
| 002 | 34159-32610 | CAP | 10 | | | | 0 | 0 |
| 003 | 36300-83160 | ASSY COVER SIDE RH | 1 | | | | 1.57 | 3.454 |
| 004 | 36300-83210 | ASSY COVER SIDE LH | 1 | | | | 1.98 | 4.356 |
| 005 | 36200-83550 | ASSY COVER REAR | 1 | | | | 4.1 | 9.02 |
| 006 | 36200-83640 | ASSY COVER REAR | 1 | | | | 2.05 | 4.51 |
| 007 | 33251-83910 | CUSHION | 6 | | | | 0.001 | 0.0022 |
| 008 | 33251-83700 | ASSY COVER BONNET | 1 | | | | 0.265 | 0.583 |
| 009 | 33251-83810 | ASSY HOLDER COVER | 2 | | | | 0.125 | 0.275 |
| 010 | 01153-50816 | BOLT | 4 | | | | 0.01 | 0.022 |
| 011 | 04512-50080 | WASHER SPRING | 4 | | | | 0 | 0 |
| 012 | 04013-50080 | WASHER PLAIN | 4 | | | | 0 | 0 |
| 013 | 33251-83830 | PIN | 2 | | | | 0.011 | 0.0242 |
| 014 | 05525-50800 | PIN SNAP | 4 | | | | 0.001 | 0.0022 |
| 015 | 38240-18240 | HANDLE BONNET COVER | 2 | | | | 0 | 0 |
| 016 | 33251-83850 | WASHER HANDLE | 2 | | | | 0.001 | 0.0022 |
| 017 | 33251-83860 | HOOK BONNET COVER | 2 | | | | 0.053 | 0.1166 |
| 018 | 33251-83950 | WASHER SPRING | 2 | | | | 0.001 | 0.0022 |
| 019 | 02112-50080 | NUT | 2 | | | | 0.003 | 0.0066 |
| 020 | 04512-50080 | WASHER SPRING | 2 | | | | 0 | 0 |
| 021 | 04013-50080 | WASHER PLAIN | 2 | | | | 0 | 0 |
| 022 | 33251-83870 | CUSHION BONNET | 6 | | | | 0.007 | 0.0154 |
| 023 | 33251-83880 | HOLDER BONNET | 1 | | | | 0.108 | 0.2376 |
| 024 | 04013-50080 | WASHER PLAIN | 1 | | | | 0 | 0 |
| 025 | 05511-50215 | PIN SPLIT | 1 | | | | 0.001 | 0.0022 |
| 026 | 33251-83890 | CUSHION BONNET HOLDE | 1 | | | | 0.002 | 0.0044 |
| 027 | 33251-83900 | SPRING BONNET HOLDER | 1 | | | | 0.008 | 0.0176 |
| 028 | 03054-50508 | SCREW PAN HEAD | 2 | | | | 0.002 | 0.0044 |
| 029 | 04411-50050 | WASHER | 2 | | | | 0.001 | 0.0022 |
| 030 | 33251-90120 | CUSHION | 4 | | | | 0.001 | 0.0022 |
| 031 | 33251-74210 | CUSHION | 2 | | | | 0.001 | 0.0022 |
| 032 | 33251-83930 | BOLT SET | 6 | | | | 0.02 | 0.044 |
| 033 | 04411-50300 | WASHER | 10 | | | | 0.001 | 0.0022 |
| 034 | 01173-51020 | BOLT | 8 | | | | 0.017 | 0.0374 |
| 035 | 02118-50100 | NUT | 4 | | | | 0.005 | 0.011 |
| 036 | 33251-83940 | GASKET | 1 | | | | 0.03 | 0.066 |
| 037 | 36200-84110 | PANEL | 1 | | | | 1.28 | 2.816 |
| 038 | 03016-50816 | SCREW | 4 | | | | 0.007 | 0.0154 |
| 039 | 04512-50100 | WASHER SPRING | 8 | | | | 0 | 0 |
| 040 | 36300-90620 | COVER RH | 1 | | | [A][NZ][AU] | 1.67 | 3.674 |
| 041 | 36300-90630 | COVER RH | 1 | | | [A][NZ][AU] | 1.72 | 3.784 |
| 042 | 01811-50818 | BOLT WING | 4 | | | [A][NZ][AU] | 0.033 | 0.0726 |
| 043 | 04512-50080 | WASHER SPRING | 4 | | | [A][NZ][AU] | 0 | 0 |
| 044 | 04013-50080 | WASHER PLAIN | 4 | | | [A][NZ][AU] | 0 | 0 |
| 045 | 04011-50100 | WASHER PLAIN | 2 | | | [A][NZ][AU] | 0.002 | 0.0044 |
| 046 | 36200-04680 | CUSHION | 1 | | | | 0.009 | 0.0198 |

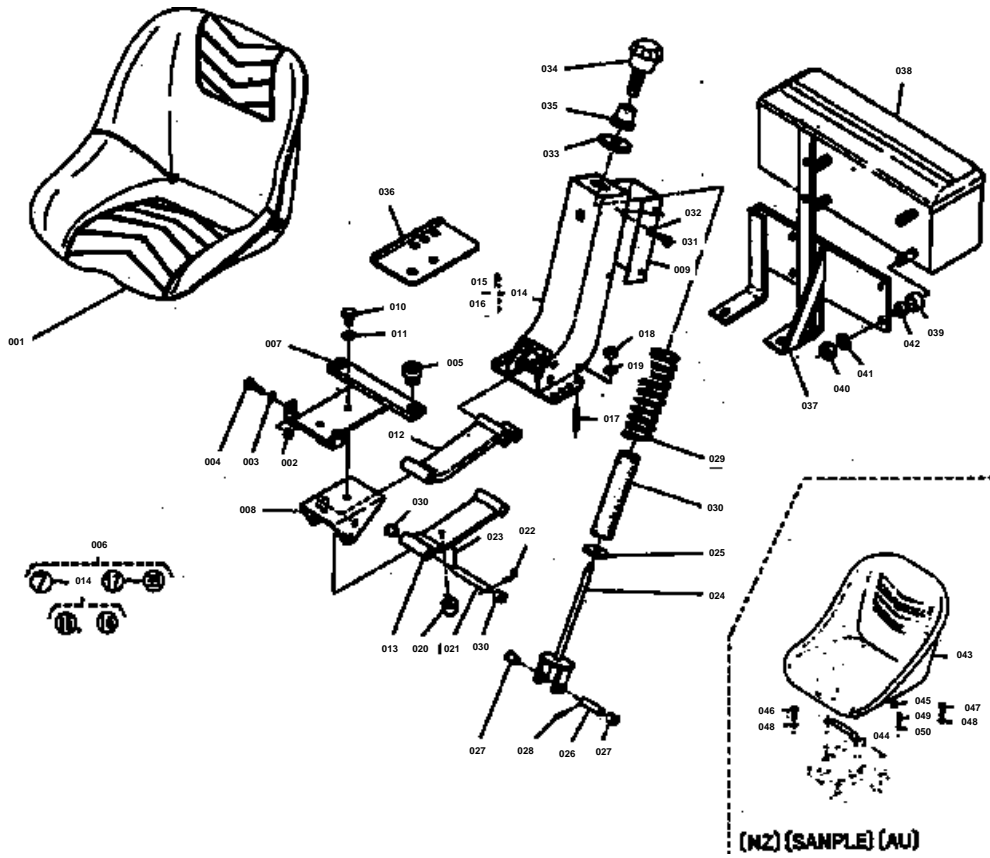
BELT COVER



**BELT COVER**

↔ Interchangeable; ≠ not interchangeable; ← new for old; → old for new

| REF.No | Part No. | Description | Q'ty | S.No. | I/C | REMARKS | Weight (kgf) | Weight (lb) |
|--------|-------------|---------------|------|-------|-----|-------------|--------------|-------------|
| 001 | 36300-90640 | STAY 1 | 1 | | | [A][NZ][AU] | 0.23 | 0.506 |
| 002 | 36500-90690 | STAY 2 | 1 | | | [A][NZ][AU] | 0.26 | 0.572 |
| 003 | 01153-50818 | BOLT | 4 | | | [A][NZ][AU] | 0.01 | 0.022 |
| 004 | 04512-50080 | WASHER SPRING | 4 | | | [A][NZ][AU] | 0 | 0 |
| 005 | 36500-90710 | CUSHION | 1 | | | [A][NZ][AU] | 0.019 | 0.0418 |
| 006 | 36500-90650 | COVER BELT RH | 1 | | | [A][NZ][AU] | 0.444 | 0.9768 |
| 007 | 36500-90660 | COVER BELT LH | 1 | | | [A][NZ][AU] | 0.466 | 1.0252 |
| 008 | 36500-17210 | COVER COCK | 1 | | | | 0.024 | 0.0528 |
| 009 | 36500-90680 | COLLAR | 1 | | | [A][NZ][AU] | 0.004 | 0.0088 |
| 010 | 01153-50816 | BOLT | 4 | | | [A][NZ][AU] | 0.01 | 0.022 |
| 011 | 04512-50080 | WASHER SPRING | 4 | | | [A][NZ][AU] | 0 | 0 |
| 012 | 04013-50080 | WASHER PLAIN | 4 | | | [A][NZ][AU] | 0 | 0 |

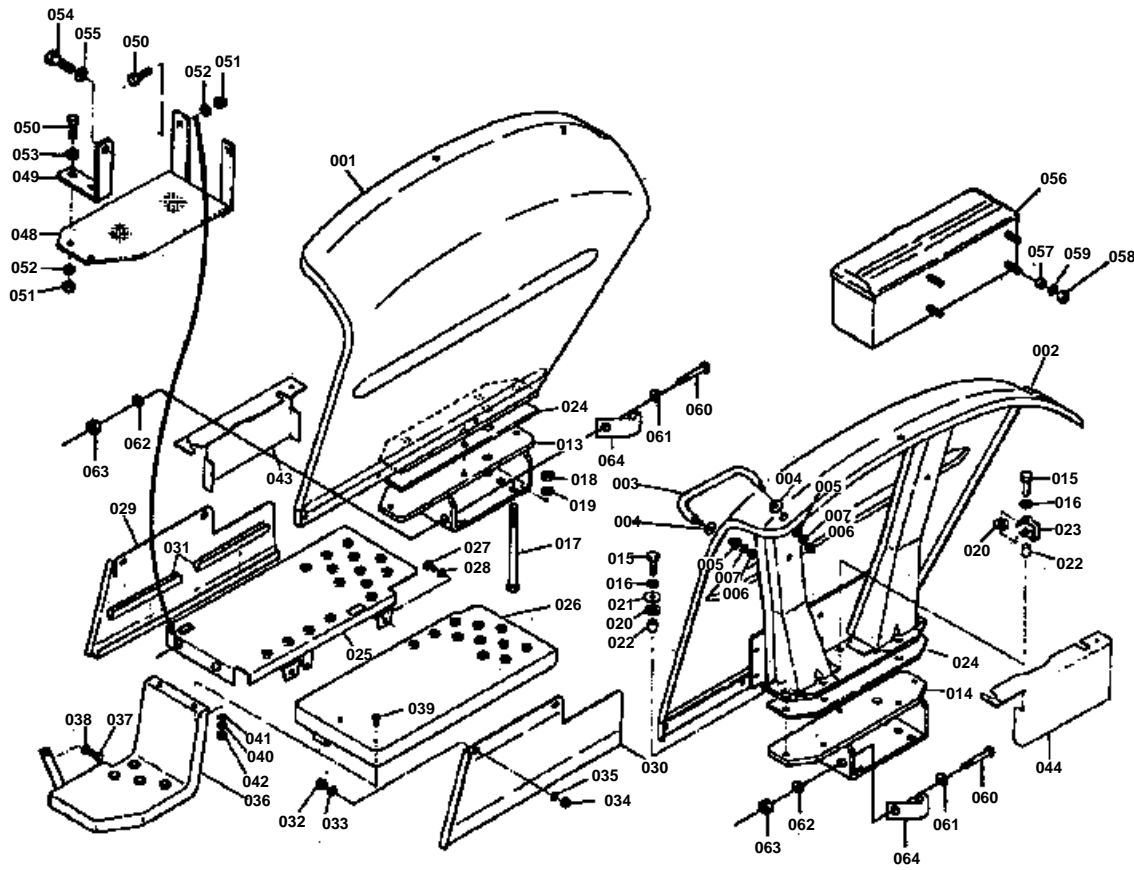




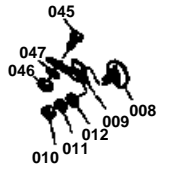
SEAT

↔ Interchangeable; ≠ not interchangeable; ← new for old; → old for new

| REF.No | Part No. | Description | Q'ty | S.No. | I/C | REMARKS | Weight (kgf) | Weight (lb) |
|--------|-------------|----------------------|------|---------|-----|------------------|--------------|-------------|
| 001 | 36200-85000 | ASSY SEAT | 1 | | | EXCEPT [NZ][AU] | 0 | 0 |
| 002 | 02112-50080 | NUT | 2 | | | EXCEPT [NZ][AU] | 0.003 | 0.0066 |
| 003 | 04014-50080 | WASHER PLAIN | 2 | | | EXCEPT [NZ][AU] | 0.003 | 0.0066 |
| 004 | 34150-18430 | BOLT | 2 | | | EXCEPT [NZ][AU] | 0.014 | 0.0308 |
| 005 | 32160-18440 | CUSHION | 2 | | | EXCEPT [NZ][AU] | 0.013 | 0.0286 |
| 006 | 36200-85100 | SUSPENSION SEAT | 1 | | | EXCEPT [NZ][AU] | 11.8 | 25.96 |
| 007 | 36200-85090 | SUPPORT SEAT | 1 | | | EXCEPT [NZ][AU] | 1.06 | 2.332 |
| 008 | 33251-85110 | BRACKET SEAT | 1 | | | EXCEPT [NZ][AU] | 0.79 | 1.738 |
| 009 | 36200-85310 | COVER | 1 | | | EXCEPT [NZ][AU] | 0.25 | 0.55 |
| 010 | 01173-51225 | BOLT | 2 | | | EXCEPT [NZ][AU] | 0.033 | 0.0726 |
| 011 | 04512-50120 | WASHER SPRING | 2 | | | EXCEPT [NZ][AU] | 0 | 0 |
| 012 | 36200-85130 | ARM SEAT SUPPORT UPP | 1 | | | EXCEPT [NZ][AU] | 1.2 | 2.64 |
| 013 | 36200-85140 | ARM SEAT SUPPORT UND | 1 | | | EXCEPT [NZ][AU] | 1.19 | 2.618 |
| 014 | 33251-85150 | SUPPORT SEAT | 1 | | | EXCEPT [NZ][AU] | 3.12 | 6.864 |
| 015 | 33251-85160 | CUSHION | 1 | | | EXCEPT [NZ][AU] | 0.01 | 0.022 |
| 016 | 33251-25160 | RIVET | 2 | | | EXCEPT [NZ][AU] | 0.001 | 0.0022 |
| 017 | 01574-51225 | STUD | 4 | | | EXCEPT [NZ][AU] | 0.034 | 0.0748 |
| 018 | 02176-50120 | NUT | 4 | | | EXCEPT [NZ][AU] | 0.01 | 0.022 |
| 019 | 04512-50120 | WASHER SPRING | 4 | | | EXCEPT [NZ][AU] | 0 | 0 |
| 020 | 33251-85180 | CUSHION | 1 | | | EXCEPT [NZ][AU] | 0.038 | 0.0836 |
| 021 | 33251-85210 | PIN SEAT SUPPORT 1 | 4 | | | EXCEPT [NZ][AU] | 0.14 | 0.308 |
| 022 | 33251-85230 | PIN SET | 4 | | | EXCEPT [NZ][AU] | 0.003 | 0.0066 |
| 023 | 05511-50425 | PIN SPLIT | 4 | | | EXCEPT [NZ][AU] | 0.003 | 0.0066 |
| 024 | 33251-85243 | SUPPORT SPRING | 1 | | | EXCEPT [NZ][AU] | 0.54 | 1.188 |
| 025 | 33251-85290 | GUIDE SPRING | 1 | | | EXCEPT [NZ][AU] | 0.085 | 0.187 |
| 026 | 33251-85250 | PIN SEAT SUPPORT 2 | 1 | | | EXCEPT [NZ][AU] | 0.071 | 0.1562 |
| 027 | 33251-85260 | BUSH SEAT SUPPORT 2 | 10 | | | EXCEPT [NZ][AU] | 0.002 | 0.0044 |
| 028 | 05411-00425 | PIN SPRING | 1 | | | EXCEPT [NZ][AU] | 0.001 | 0.0022 |
| 029 | 33251-85272 | SPRING SEAT | 1 | | | EXCEPT [NZ][AU] | 1.34 | 2.948 |
| 030 | 33251-85350 | CUSHION | 1 | | | EXCEPT [NZ][AU] | 0.356 | 0.7832 |
| 031 | 01050-50612 | BOLT | 4 | | | EXCEPT [NZ][AU] | 0.005 | 0.011 |
| 032 | 04512-50060 | WASHER SPRING | 4 | | | EXCEPT [NZ][AU] | 0 | 0 |
| 033 | 33251-85321 | DISK SEAT SPRING | 1 | | | EXCEPT [NZ][AU] | 0.26 | 0.572 |
| 034 | 33251-85330 | GRIP | 1 | | | EXCEPT [NZ][AU] | 0.311 | 0.6842 |
| 035 | 33251-85340 | SLEEVE | 1 | | | EXCEPT [NZ][AU] | 0.248 | 0.5456 |
| 036 | 35450-82390 | STAY | 1 | | | EXCEPT [NZ][AU] | 0.3 | 0.66 |
| 037 | 35450-90110 | STAY TOOL-BOX | 1 | <=10503 | | EXCEPT [NZ][AU] | 2.7 | 5.94 |
| 037 | 35450-90113 | STAY TOOL-BOX | 1 | >=10504 | | EXCEPT [NZ][AU] | 2.5 | 5.5 |
| 038 | 35450-90100 | ASSY BOX TOOL | 1 | | | EXCEPT [NZ][AU] | 7.5 | 16.5 |
| 039 | 33251-90120 | CUSHION | 2 | | | EXCEPT [NZ][AU] | 0.001 | 0.0022 |
| 040 | 02118-50100 | NUT | 4 | | | EXCEPT [NZ][AU] | 0.005 | 0.011 |
| 041 | 04512-50100 | WASHER SPRING | 4 | | | EXCEPT [NZ][AU] | 0 | 0 |
| 042 | 33251-90130 | COLLAR TOOL BOX | 4 | | | EXCEPT [NZ][AU] | 0 | 0 |
| 043 | 35702-85000 | ASSY SEAT | 1 | | | [NZ][SANPLE][AU] | 19 | 41.8 |
| 044 | 35702-85110 | STAY | 1 | | | [NZ][SANPLE][AU] | 0.17 | 0.374 |
| 045 | 35702-85120 | COLLAR | 2 | | | [NZ][SANPLE][AU] | 0.05 | 0.11 |
| 046 | 01173-51225 | BOLT | 2 | | | [NZ][SANPLE][AU] | 0.033 | 0.0726 |
| 047 | 01173-51220 | BOLT | 2 | | | [NZ][SANPLE][AU] | 0.03 | 0.066 |
| 048 | 04512-50120 | WASHER SPRING | 4 | | | [NZ][SANPLE][AU] | 0 | 0 |
| 049 | 01173-51018 | BOLT | 2 | | | [NZ][SANPLE][AU] | 0.018 | 0.0396 |
| 050 | 04512-50100 | WASHER SPRING | 2 | | | [NZ][SANPLE][AU] | 0 | 0 |



- REF. No. 33251 - 3490 - 0
 ① 36510 - 7578 - 0
 ② 02054 - 50050
 ③ 04512 - 50050
 ④ 04012 - 50050
 ⑤ 01153 - 50615
 ⑥ 02114 - 50080
 ⑦ 04512 - 50080



**FENDER**

↔ Interchangeable; ≠ not interchangeable; ← new for old; → old for new

| REF.No | Part No. | Description | Q'ty | S.No. | I/C | REMARKS | Weight (kgf) | Weight (lb) |
|--------|-------------|-------------------|------|---------|-----|-----------------|--------------|-------------|
| 001 | 36510-87010 | FENDER RH | 1 | | | | 0 | 0 |
| 001 | 36200-87014 | FENDER RH | 1 | | | | 0 | 0 |
| 002 | 36510-87020 | FENDER LH | 1 | | | | 0 | 0 |
| 002 | 36200-87020 | FENDER LH | 1 | | | | 0 | 0 |
| 003 | 36200-87320 | BALUSTRAGE | 1 | | | | 0.32 | 0.704 |
| 004 | 36200-87330 | CUSHION | 2 | | | | 0.002 | 0.0044 |
| 005 | 04013-50100 | WASHER PLAIN | 2 | | | | 0 | 0 |
| 006 | 02114-50100 | NUT | 2 | | | | 0.005 | 0.011 |
| 007 | 04512-50100 | WASHER SPRING | 2 | | | | 0 | 0 |
| 008 | 33251-34900 | ASSY REFLECTOR | 2 | | | [A] | 0.019 | 0.0418 |
| 009 | 36510-75780 | BRACKET REFLECTOR | 2 | | | [A] | 0.092 | 0.2024 |
| 010 | 02054-50050 | NUT | 2 | | | [A] | 0.002 | 0.0044 |
| 011 | 04512-50050 | WASHER SPRING | 2 | | | [A] | 0 | 0 |
| 012 | 04012-50050 | WASHER PLAIN | 2 | | | [A] | 0.001 | 0.0022 |
| 013 | 36280-87040 | BRACKET FENDER RH | 1 | | | | 6.7 | 14.74 |
| 014 | 36200-87050 | BRACKET FENDER LH | 1 | | | | 0 | 0 |
| 015 | 01173-51240 | BOLT | 10 | | | | 0.045 | 0.099 |
| 016 | 04512-50120 | WASHER SPRING | 10 | | | | 0 | 0 |
| 017 | 36200-87080 | BOLT | 8 | | | | 0.466 | 1.0252 |
| 018 | 02176-50160 | NUT | 8 | | | | 0.021 | 0.0462 |
| 019 | 04512-50160 | WASHER SPRING | 8 | | | | 0 | 0 |
| 020 | 33251-87110 | PAD | 10 | | | | 0.004 | 0.0088 |
| 021 | 33251-87120 | WASHER | 8 | | | | 0.02 | 0.044 |
| 022 | 36200-87130 | PIECE DISTANCE | 10 | | | | 0.02 | 0.044 |
| 023 | 33251-87150 | PLATE EARTH | 2 | | | | 0.04 | 0.088 |
| 024 | 33251-87160 | CUSHION | 2 | | | | 0.34 | 0.748 |
| 025 | 36200-87064 | STEP RH | 1 | <=10641 | | | 0 | 0 |
| 025 | 36200-87067 | STEP RH | 1 | >=10001 | | | 0 | 0 |
| 026 | 36280-87070 | STEP LH | 1 | <=10641 | | | 0 | 0 |
| 026 | 36280-87075 | STEP LH | 1 | >=10001 | | | 0 | 0 |
| 027 | 01173-51020 | BOLT | 4 | | | | 0.017 | 0.0374 |
| 028 | 04512-50100 | WASHER SPRING | 4 | | | | 0 | 0 |
| 029 | 36200-87210 | COVER RH | 1 | | | | 1.8 | 3.96 |
| 030 | 36200-87220 | COVER LH | 1 | | | | 1.8 | 3.96 |
| 031 | 33251-87140 | CUSHION | 4 | | | | 0.02 | 0.044 |
| 032 | 01173-51020 | BOLT | 4 | | | | 0.017 | 0.0374 |
| 033 | 04013-50100 | WASHER PLAIN | 4 | | | | 0 | 0 |
| 034 | 02118-50100 | NUT | 4 | | | | 0.005 | 0.011 |
| 035 | 04512-50100 | WASHER SPRING | 4 | | | | 0 | 0 |
| 036 | 36200-87310 | STAR SUPPORT | 1 | | | | 0 | 0 |
| 037 | 01173-51020 | BOLT | 1 | | | | 0.017 | 0.0374 |
| 038 | 04512-50100 | WASHER SPRING | 1 | | | | 0 | 0 |
| 039 | 03014-50820 | SCREW | 2 | | | | 0.01 | 0.022 |
| 040 | 04512-50080 | WASHER SPRING | 4 | | | | 0 | 0 |
| 041 | 04012-50080 | WASHER PLAIN | 4 | | | | 0.001 | 0.0022 |
| 042 | 02114-50080 | NUT | 2 | | | | 0.005 | 0.011 |
| 043 | 36500-87230 | COVER 1 | 1 | | | EXCEPT [NZ][AU] | 1 | 2.2 |
| 044 | 36500-87240 | COVER 2 | 1 | | | EXCEPT [NZ][AU] | 1 | 2.2 |
| 045 | 01153-50816 | BOLT | 4 | | | [A] | 0.01 | 0.022 |
| 046 | 02114-50080 | NUT | 4 | | | [A] | 0.005 | 0.011 |
| 047 | 04512-50080 | WASHER SPRING | 4 | | | [A] | 0 | 0 |
| 048 | 35702-87410 | STAY SUPPORT RH | 1 | | | [NZ][AU] | 2.58 | 5.676 |
| 049 | 35702-87420 | STAY STEP | 1 | | | [NZ][AU] | 0.68 | 1.496 |
| 050 | 01153-50820 | BOLT | 4 | | | [NZ][AU] | 0.012 | 0.0264 |
| 051 | 02114-50080 | NUT | 4 | | | [NZ][AU] | 0.005 | 0.011 |
| 052 | 04512-50080 | WASHER SPRING | 4 | | | [NZ][AU] | 0 | 0 |
| 053 | 04013-50080 | WASHER PLAIN | 2 | | | [NZ][AU] | 0 | 0 |
| 054 | 01173-51630 | BOLT | 1 | | | [NZ][AU] | 0.071 | 0.1562 |
| 055 | 04512-50160 | WASHER SPRING | 1 | | | [NZ][AU] | 0 | 0 |

**FENDER**

↔ Interchangeable; ≠ not interchangeable; ← new for old; → old for new

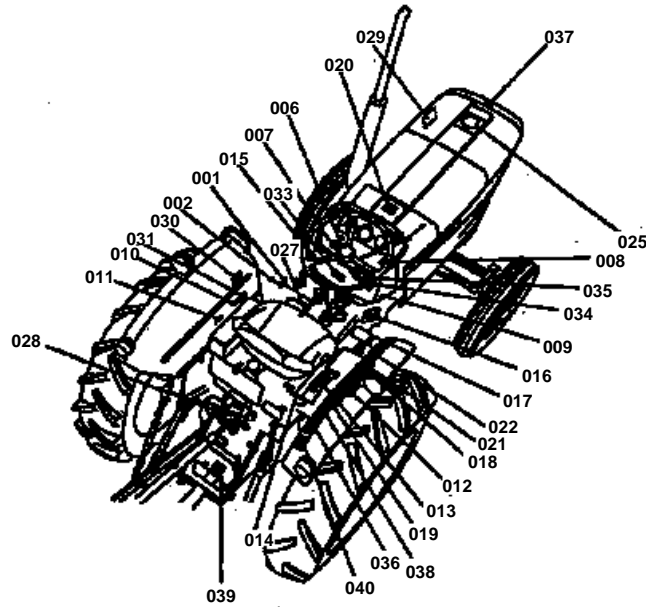
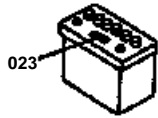
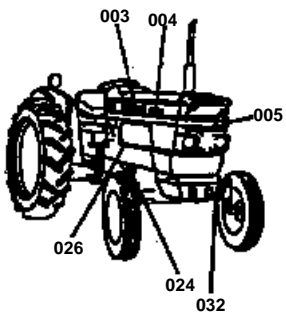
| REF.No | Part No. | Description | Q'ty | S.No. | I/C | REMARKS | Weight (kgf) | Weight (lb) |
|--------|-------------|---------------|------|-------|-----|----------|--------------|-------------|
| 056 | 35450-90100 | ASSY BOX TOOL | 1 | | | [NZ][AU] | 7.5 | 16.5 |
| 057 | 33251-90120 | CUSHION | 2 | | | [NZ][AU] | 0.001 | 0.0022 |
| 058 | 02118-50100 | NUT | 4 | | | [NZ][AU] | 0.005 | 0.011 |
| 059 | 04512-50100 | WASHER SPRING | 4 | | | [NZ][AU] | 0 | 0 |
| 060 | 01050-50822 | BOLT | 2 | | | | 0.015 | 0.033 |
| 061 | 04012-50080 | WASHER PLAIN | 2 | | | | 0.001 | 0.0022 |
| 062 | 04512-50080 | WASHER SPRING | 2 | | | | 0 | 0 |
| 063 | 02114-50080 | NUT | 2 | | | | 0.005 | 0.011 |
| 064 | 32240-34490 | CLAMP CORD 2 | 2 | | | | 0.003 | 0.0066 |

**TOWING DRAWBAR**

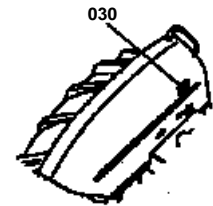
↔ Interchangeable; ≠ not interchangeable; ← new for old; → old for new

| REF.No | Part No. | Description | Q'ty | S.No. | I/C | REMARKS | Weight (kgf) | Weight (lb) |
|--------|-------------|---------------|------|-------|-----|--------------------|--------------|-------------|
| 001 | 36200-89360 | PIN SET | 2 | | | | 0.146 | 0.3212 |
| 002 | 35450-89120 | DRAWBAR | 1 | | | [A][NZ][AU] | 0 | 0 |
| 002 | 33251-89125 | DRAWBAR | 1 | | | EXCEPT [A][NZ][AU] | 13.5 | 29.7 |
| 003 | 33251-89214 | PIN DRAWBAR | 1 | | | | 0.7 | 1.54 |
| 004 | 33251-89310 | PIN SET | 9 | | | | 0.032 | 0.0704 |
| 005 | 36500-89320 | FRAME DRAWBAR | 1 | | | | 14 | 30.8 |
| 006 | 36200-89330 | PLATE SIDE | 2 | | | | 2.12 | 4.664 |
| 007 | 01173-52045 | BOLT | 2 | | | | 0.162 | 0.3564 |
| 008 | 01173-52055 | BOLT | 2 | | | | 0.183 | 0.4026 |
| 009 | 02174-50200 | NUT | 2 | | | | 0.04 | 0.088 |
| 010 | 04512-50200 | WASHER SPRING | 4 | | | | 0 | 0 |
| 011 | 33251-89340 | PIN FRONT | 1 | | | | 0 | 0 |
| 012 | 33251-89351 | PIN STOP | 2 | | | | 0.29 | 0.638 |
| 013 | 35450-89130 | HITCH DRAWBAR | 1 | | | [A][NZ][AU] | 0 | 0 |
| 014 | 35450-89140 | BOLT | 2 | | | [A][NZ][AU] | 0.21 | 0.462 |
| 015 | 02174-50180 | NUT | 2 | | | [A][NZ][AU] | 0.029 | 0.0638 |
| 016 | 04512-50180 | WASHER SPRING | 2 | | | [A][NZ][AU] | 0 | 0 |

NAME PLATE



REF. N. 3540-4140-0



Dimensioni

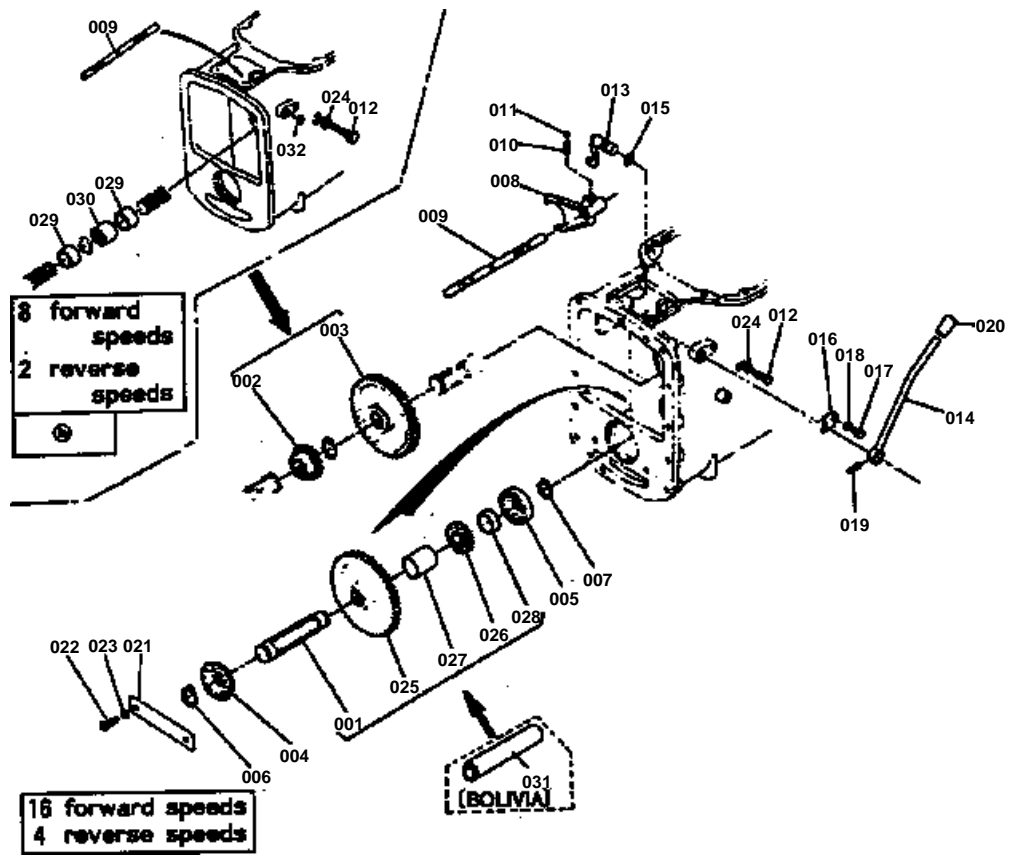


NAME PLATE

↔ Interchangeable; ≠ not interchangeable; ← new for old; → old for new

| REF.No | Part No. | Description | Q'ty | S.No. | I/C | REMARKS | Weight (kgf) | Weight (lb) |
|--------|-------------|----------------------|------|---------|-----|--------------------|--------------|-------------|
| 001 | 35580-98120 | LABEL | 1 | | | | 0.04 | 0.088 |
| 002 | 34152-57920 | RIVET | 4 | | | | 0.001 | 0.0022 |
| 003 | 35580-98130 | MARK SIDE KUBOTA | 2 | | | | 0.01 | 0.022 |
| 004 | 36200-98140 | MARK KUBOTA | 2 | | | | 0.005 | 0.011 |
| 005 | 36200-98160 | MARK FRONT | 1 | | | | 0.002 | 0.0044 |
| 006 | 35110-32290 | LABEL STARTER SWITCH | 1 | | | | 0.001 | 0.0022 |
| 007 | 35410-98190 | LABEL MAIN SWITCH | 1 | | | | 0.001 | 0.0022 |
| 007 | 33430-98190 | LABEL MAIN SWITCH | 1 | >=10001 | | | 0 | 0 |
| 008 | 33430-98420 | LABEL HAND ACCEL | 1 | | | | 0 | 0 |
| 009 | 35410-98430 | LABEL ENGINE STOP | 1 | | | | 0 | 0 |
| 010 | 35410-98310 | LABEL | 1 | | | | 0 | 0 |
| 011 | 35410-98320 | LABEL | 1 | | | | 0 | 0 |
| 012 | 35500-98340 | LABEL | 1 | | | [A][SANPLE] | 0.002 | 0.0044 |
| 012 | 35582-98340 | LABEL | 1 | | | [NZ][AU] | 0.003 | 0.0066 |
| 012 | 35702-98340 | LABEL | 1 | | | EXCEPT [A][NZ][AU] | 0.001 | 0.0022 |
| 013 | 35410-98370 | LABEL | 1 | | | | 0 | 0 |
| 014 | 35410-98380 | LABEL | 1 | | | | 0 | 0 |
| 015 | 35410-98250 | LABEL | 1 | | | | 0.002 | 0.0044 |
| 016 | 35410-98350 | LABEL | 1 | | | | 0 | 0 |
| 017 | 35450-98390 | LABEL | 1 | | | [A] | 0.002 | 0.0044 |
| 017 | 35700-98390 | LABEL | 1 | >=10001 | | [A] | 0.002 | 0.0044 |
| 017 | 35452-98390 | LABEL | 1 | | | [NZ][AU] | 0.002 | 0.0044 |
| 017 | 35410-98390 | LABEL | 1 | | | EXCEPT [A][NZ][AU] | 0.001 | 0.0022 |
| 018 | 35580-98510 | LABEL OIL | 1 | | | | 0.001 | 0.0022 |
| 018 | 35582-98510 | LABEL OIL | 1 | | | [NZ][AU] | 0 | 0 |
| 019 | 35110-34910 | LABEL | 1 | | | | 0.01 | 0.022 |
| 020 | 35110-35250 | LABEL OIL FILLER | 1 | | | | 0.005 | 0.011 |
| 021 | 35110-34930 | LABEL | 1 | | | | 0.004 | 0.0088 |
| 022 | 35460-98530 | LABEL DIFF LOCK | 1 | | | | 0.003 | 0.0066 |
| 023 | 35450-98350 | LABEL BATTERY | 1 | | | | 0.001 | 0.0022 |
| 024 | 35410-98540 | LABEL | 1 | | | | 0 | 0 |
| 025 | 15453-88610 | LABEL | 1 | | | | 0.001 | 0.0022 |
| 026 | 35410-98610 | LABEL | 1 | | | | 0 | 0 |
| 027 | 35410-98270 | LABEL | 1 | | | | 0 | 0 |
| 028 | 35410-98580 | LABEL | 1 | | | | 0 | 0 |
| 029 | 35709-98470 | LABEL | 1 | | | | 0.001 | 0.0022 |
| 030 | 35460-41490 | LABEL | 1 | | | | 0.001 | 0.0022 |
| 031 | 35460-41480 | LABEL | 1 | | | | 0.001 | 0.0022 |
| 033 | 35450-98970 | LABEL CAUTION | 1 | | | | 0.002 | 0.0044 |
| 034 | 35450-98440 | LABEL | 1 | | | [A] | 0 | 0 |
| 034 | 33430-98440 | LABEL | 1 | >=10502 | | EXCEPT [A] | 0.001 | 0.0022 |
| 035 | 33430-98410 | MARK HORN | 1 | | | EXCEPT [A] | 0.001 | 0.0022 |
| 036 | 35410-98330 | LABEL PTO | 1 | | | EXCEPT [A] | 0.001 | 0.0022 |
| 037 | 35450-98950 | LABEL | 1 | | | | 0.001 | 0.0022 |
| 038 | 35260-29790 | LABEL | 1 | | | [A] | 0.002 | 0.0044 |
| 039 | 35260-25340 | LABEL | 1 | | | | 0.005 | 0.011 |
| 040 | 35260-29780 | LABEL | 1 | | | [A] | 0 | 0 |

CREEP SHAFT

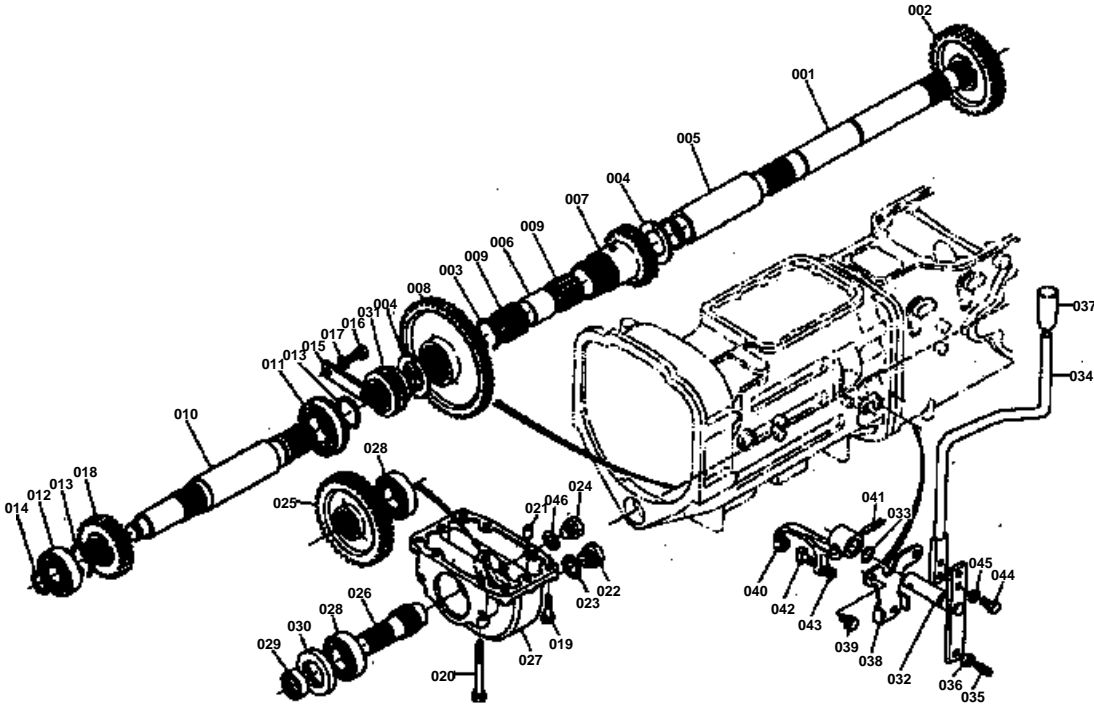


**CREEP SHAFT**

↔ Interchangeable; ≠ not interchangeable; ← new for old; → old for new

| REF.No | Part No. | Description | Q'ty | S.No. | I/C | REMARKS | Weight (kgf) | Weight (lb) |
|--------|-------------|-------------------|------|--------|-----|------------------|--------------|-------------|
| 002 | 36200-31230 | GEAR 17 | 1 | | | EXCEPT [BOLIVIA] | 0.325 | 0.715 |
| 003 | 36200-31240 | GEAR 43 | 1 | | | EXCEPT [BOLIVIA] | 0 | 0 |
| 004 | 08151-06307 | BEARING BALL | 1 | | | | 0.469 | 1.0318 |
| 005 | 08101-06306 | BEARING BALL | 1 | | | | 0.335 | 0.737 |
| 006 | 04612-00350 | CIR-CLIP EXTERNAL | 1 | | | | 0.01 | 0.022 |
| 007 | 04612-00300 | CIR-CLIP EXTERNAL | 1 | | | | 0.003 | 0.0066 |
| 008 | 36200-31310 | FORK SHIFT | 1 | | | EXCEPT [BOLIVIA] | 0.398 | 0.8756 |
| 009 | 36200-31320 | ROD | 1 | | | | 0.39 | 0.858 |
| 010 | 62231-18530 | SPRING STOPPER | 1 | | | EXCEPT [BOLIVIA] | 0.01 | 0.022 |
| 011 | 07715-03211 | BALL | 1 | | | EXCEPT [BOLIVIA] | 0.003 | 0.0066 |
| 012 | 36200-31333 | BOLT SET | 1 | | | | 0.015 | 0.033 |
| 013 | 36200-31350 | LEVER SHIFT | 1 | | | EXCEPT [BOLIVIA] | 0.157 | 0.3454 |
| 013 | 36200-31350 | LEVER SHIFT | 1 | | | EXCEPT [BOLIVIA] | 0.157 | 0.3454 |
| 014 | 36200-31360 | LEVER | 1 | | | EXCEPT [BOLIVIA] | 0.248 | 0.5456 |
| 015 | 04811-00100 | O RING | 1 | | | EXCEPT [BOLIVIA] | 0.001 | 0.0022 |
| 015 | 04811-00150 | O RING | 1 | ≥10001 | | EXCEPT [BOLIVIA] | 0.001 | 0.0022 |
| 016 | 34150-24350 | STOPPER LEVER | 1 | | | EXCEPT [BOLIVIA] | 0.015 | 0.033 |
| 017 | 01153-50814 | BOLT | 1 | | | EXCEPT [BOLIVIA] | 0.009 | 0.0198 |
| 018 | 04512-50080 | WASHER SPRING | 1 | | | EXCEPT [BOLIVIA] | 0 | 0 |
| 019 | 05411-00628 | PIN SPRING | 1 | | | EXCEPT [BOLIVIA] | 0.004 | 0.0088 |
| 020 | 06914-00120 | GRIP LEVER | 1 | | | EXCEPT [BOLIVIA] | 0.018 | 0.0396 |
| 021 | 36200-28680 | HOLDER BEARING | 1 | | | | 0.058 | 0.1276 |
| 022 | 01153-50818 | BOLT | 2 | | | | 0.01 | 0.022 |
| 023 | 04512-50080 | WASHER SPRING | 2 | | | | 0 | 0 |
| 024 | 04717-00800 | WASHER | 1 | | | | 0.001 | 0.0022 |
| 029 | 35452-31110 | COLLAR 1 | 2 | | | [BOLIVIA] | 0.16 | 0.352 |
| 030 | 35452-31120 | COLLAR 2 | 1 | | | [BOLIVIA] | 0.2 | 0.44 |
| 031 | 35462-41170 | COLLAR 3 | 1 | | | [BOLIVIA] | 0.35 | 0.77 |
| 032 | 36200-21240 | PLUG | 1 | | | [BOLIVIA] | 0 | 0 |

DRIVE CASE



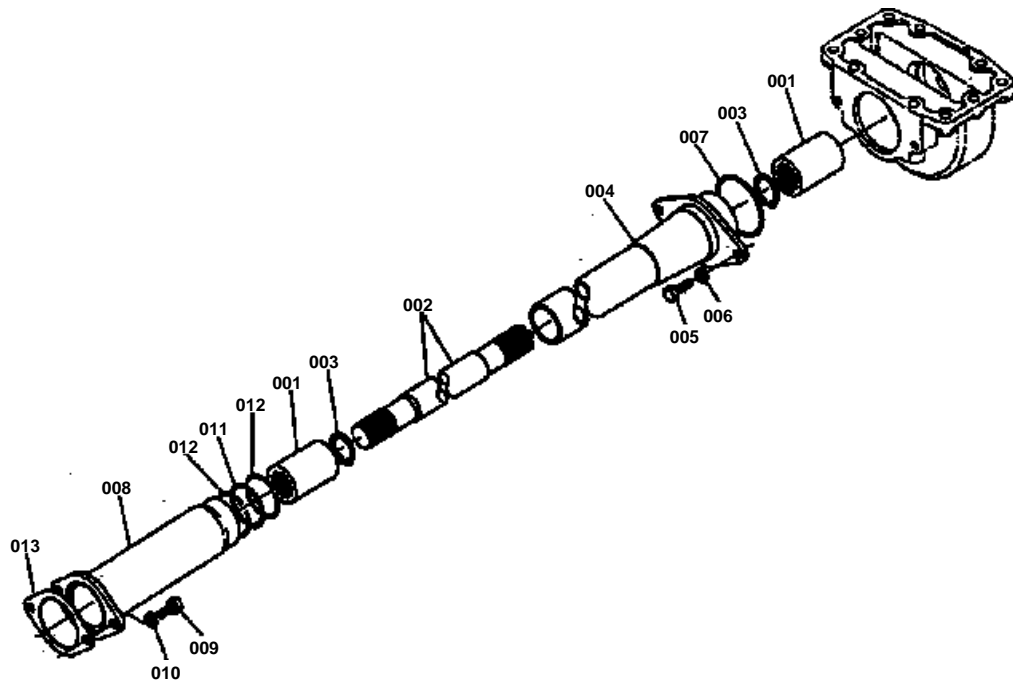


DRIVE CASE

↔ Interchangeable; ≠ not interchangeable; ← new for old; → old for new

| REF.No | Part No. | Description | Q'ty | S.No. | I/C | REMARKS | Weight (kgf) | Weight (lb) |
|--------|-------------|-------------------|------|---------|-----|------------------|--------------|-------------|
| 001 | 36280-41110 | SHAFT REAR | 1 | | | | 2.43 | 5.346 |
| 002 | 36280-41130 | GEAR 31 | 1 | | | | 0.93 | 2.046 |
| 003 | 36280-41140 | CIR-CLIP | 1 | | | EXCEPT [BOLIVIA] | 0.002 | 0.0044 |
| 004 | 36280-41150 | WASHER THRUST | 2 | | | EXCEPT [BOLIVIA] | 0.04 | 0.088 |
| 005 | 36280-41160 | COLLAR 1 | 1 | | | | 0.42 | 0.924 |
| 006 | 36280-41170 | COLLAR 2 | 1 | | | EXCEPT [BOLIVIA] | 0.04 | 0.088 |
| 007 | 36280-41180 | SHAFT GEAR | 1 | | | EXCEPT [BOLIVIA] | 0.8 | 1.76 |
| 008 | 36280-41190 | GEAR.46 | 1 | | | EXCEPT [BOLIVIA] | 1.5 | 3.3 |
| 009 | 08823-54027 | BEARING NEEDLE | 2 | | | EXCEPT [BOLIVIA] | 0.05 | 0.11 |
| 010 | 36280-41210 | SHAFT FRONT | 1 | | | | 1.45 | 3.19 |
| 011 | 08151-06207 | BEARING BALL | 1 | | | | 0.28 | 0.616 |
| 012 | 08100-00031 | BEARING BALL | 1 | | | | 0.242 | 0.5324 |
| 012 | 36340-41290 | BEARING BALL | 1 | >=10001 | | | 0.235 | 0.517 |
| 013 | 04612-00350 | CIR-CLIP EXTERNAL | 2 | | | | 0.01 | 0.022 |
| 014 | 04612-00250 | CIR-CLIP EXTERNAL | 1 | | | | 0.002 | 0.0044 |
| 015 | 36200-25650 | RETAINER BEARING | 1 | | | | 0 | 0 |
| 016 | 01153-50818 | BOLT | 2 | | | | 0.01 | 0.022 |
| 017 | 04512-50080 | WASHER SPRING | 2 | | | | 0 | 0 |
| 018 | 36580-41220 | GEAR 20 | 1 | | | | 0.702 | 1.5444 |
| 019 | 01173-51030 | BOLT | 6 | | | | 0.023 | 0.0506 |
| 020 | 01173-51080 | BOLT | 2 | | | | 0.049 | 0.1078 |
| 021 | 05012-01020 | PIN STRAIGHT | 2 | | | | 0.02 | 0.044 |
| 022 | 06331-35020 | PLUG | 1 | | | | 0.068 | 0.1496 |
| 023 | 04717-02000 | WASHER SEAL | 1 | | | | 0.004 | 0.0088 |
| 024 | 06331-35012 | PLUG | 1 | | | | 0.022 | 0.0484 |
| 025 | 36580-41230 | GEAR 28 | 1 | | | | 1.07 | 2.354 |
| 026 | 36280-41240 | SHAFT | 1 | | | | 0 | 0 |
| 027 | 36280-41250 | CASE | 1 | | | | 3.97 | 8.734 |
| 028 | 08101-06206 | BEARING BALL | 2 | | | | 0.196 | 0.4312 |
| 029 | 36280-41270 | SLEEVE | 1 | | | | 0 | 0 |
| 030 | 09503-86211 | SEAL OIL | 1 | | | | 0.03 | 0.066 |
| 031 | 36280-41410 | SHIFTER | 1 | | | | 0.3 | 0.66 |
| 032 | 36280-41420 | SHAFT | 1 | | | | 0.33 | 0.726 |
| 033 | 04811-00150 | O RING | 1 | | | | 0.001 | 0.0022 |
| 034 | 36280-41440 | LEVER | 1 | | | | 0.52 | 1.144 |
| 035 | 36280-41460 | SCREW | 1 | | | | 0.01 | 0.022 |
| 036 | 02116-50100 | NUT | 1 | | | | 0.004 | 0.0088 |
| 037 | 06914-00130 | GRIP LEVER | 1 | | | | 0.016 | 0.0352 |
| 038 | 36280-41450 | GUIDE LEVER | 1 | | | | 0.09 | 0.198 |
| 039 | 01120-50816 | BOLT | 2 | | | | 0 | 0 |
| 040 | 36280-41510 | FORK | 1 | | | | 0.296 | 0.6512 |
| 041 | 05411-00630 | PIN SPRING | 1 | | | | 0.004 | 0.0088 |
| 042 | 36280-41530 | TOP | 2 | | | | 0.015 | 0.033 |
| 043 | 04613-00060 | CIR-CLIP EXTERNAL | 2 | | | | 0 | 0 |
| 044 | 01170-51016 | BOLT | 2 | | | | 0.016 | 0.0352 |
| 045 | 04512-50100 | WASHER SPRING | 2 | | | | 0 | 0 |
| 046 | 04717-01200 | WASHER SEAL | 1 | | | | 0.002 | 0.0044 |

PROPELLER SHAFT

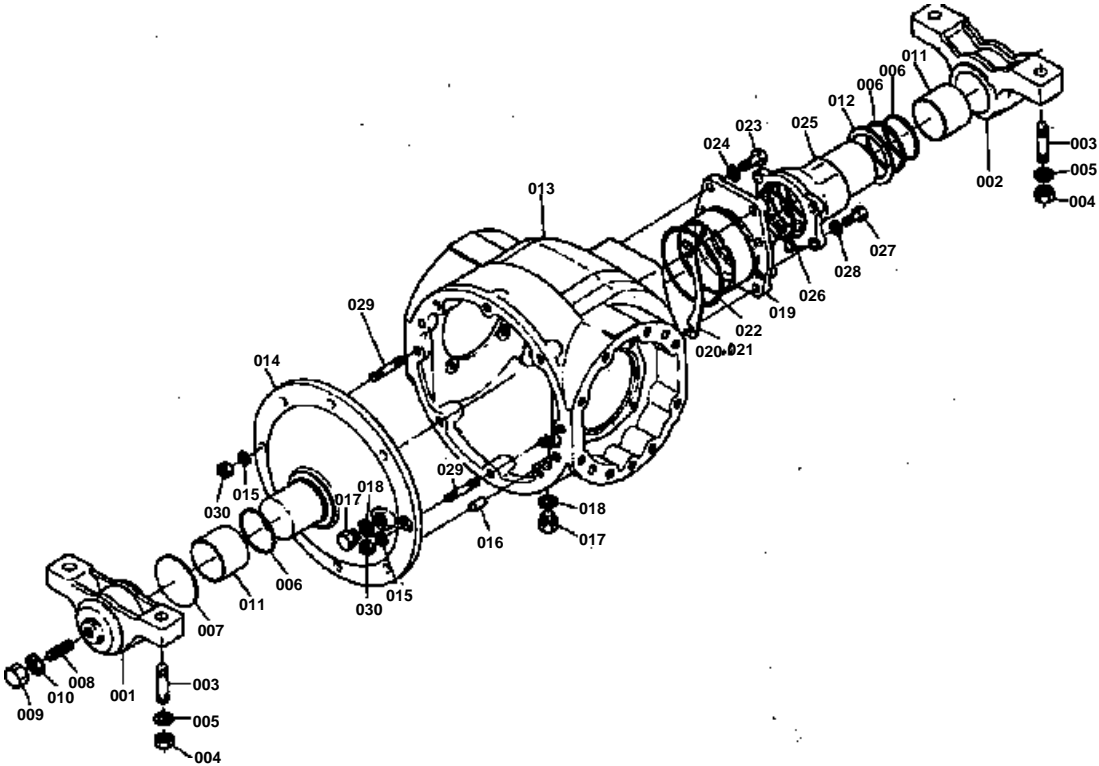




PROPELLER SHAFT

↔ Interchangeable; ≠ not interchangeable; ← new for old; → old for new

| REF.No | Part No. | Description | Q'ty | S.No. | I/C | REMARKS | Weight (kgf) | Weight (lb) |
|--------|-------------|-------------------|------|-------|-----|---------|--------------|-------------|
| 001 | 36280-41310 | COUPLING | 2 | | | | 0.24 | 0.528 |
| 002 | 36380-41320 | SHAFT | 1 | | | | 5.1 | 11.22 |
| 003 | 04612-00300 | CIR-CLIP EXTERNAL | 2 | | | | 0.003 | 0.0066 |
| 004 | 36380-41340 | COVER REAR | 1 | | | | 2 | 4.4 |
| 005 | 01153-50820 | BOLT | 2 | | | | 0.012 | 0.0264 |
| 006 | 04512-50080 | WASHER SPRING | 2 | | | | 0 | 0 |
| 007 | 04811-50600 | O RING | 1 | | | | 0.002 | 0.0044 |
| 008 | 36280-41350 | COVER FRONT | 1 | | | | 0.85 | 1.87 |
| 009 | 01153-50820 | BOLT | 2 | | | | 0.012 | 0.0264 |
| 010 | 04512-50080 | WASHER SPRING | 2 | | | | 0 | 0 |
| 011 | 04811-00420 | O RING | 1 | | | | 0.002 | 0.0044 |
| 012 | 36280-41360 | CIR-CLIP | 2 | | | | 0.003 | 0.0066 |
| 013 | 36280-41370 | GASKET | 1 | | | | 0.003 | 0.0066 |

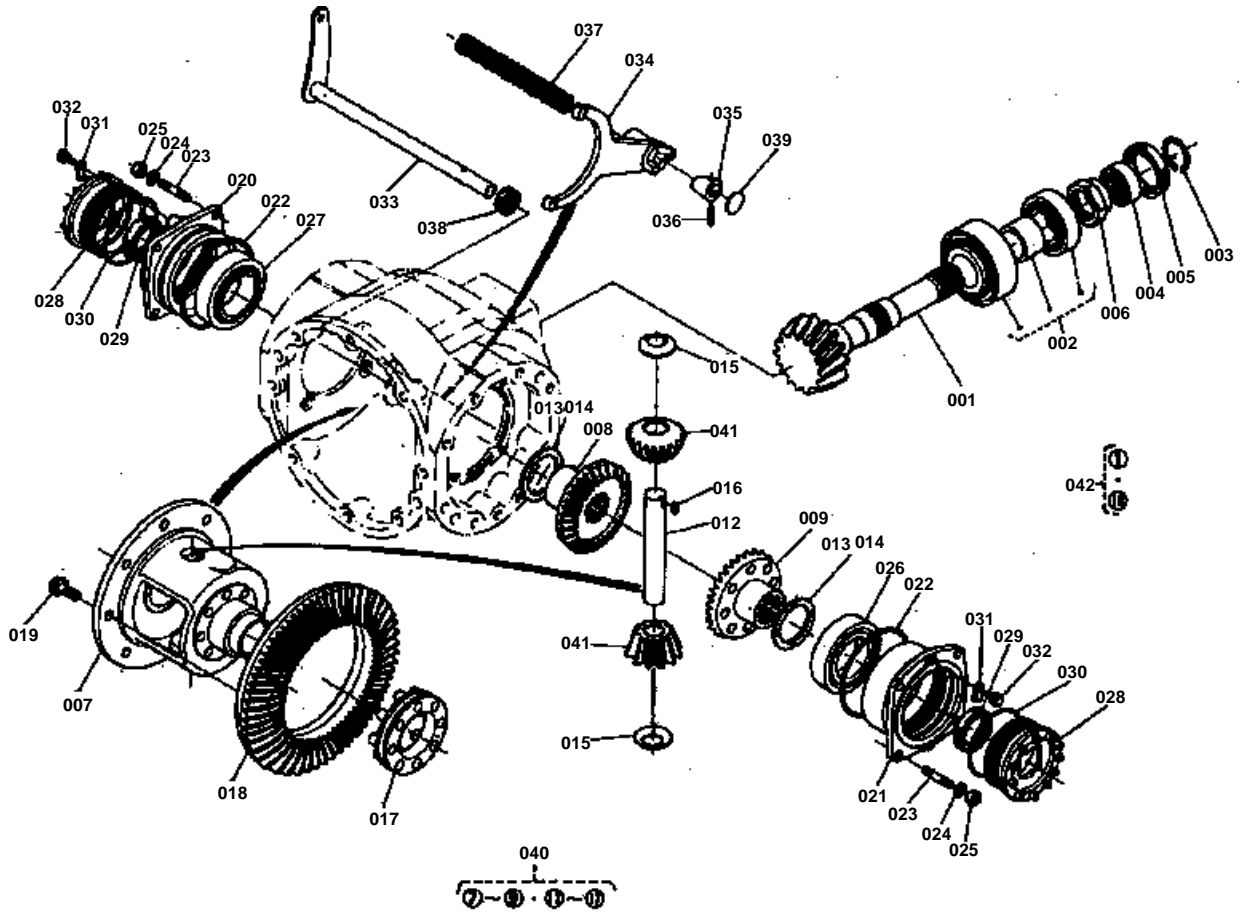




DIFF CASE 1

↔ Interchangeable; ≠ not interchangeable; ← new for old; → old for new

| REF.No | Part No. | Description | Q'ty | S.No. | I/C | REMARKS | Weight (kgf) | Weight (lb) |
|--------|-------------|-----------------|------|---------|-----|---------|--------------|-------------|
| 001 | 36280-41610 | BRACKET FRONT | 1 | | | | 2.36 | 5.192 |
| 002 | 36580-41620 | BRACKET REAR | 1 | | | | 2.3 | 5.06 |
| 003 | 01517-51645 | STUD | 4 | | | | 0 | 0 |
| 004 | 02074-50160 | NUT | 4 | | | | 0.029 | 0.0638 |
| 005 | 04512-50160 | WASHER SPRING | 4 | | | | 0 | 0 |
| 006 | 04811-50550 | O RING | 3 | | | | 0.002 | 0.0044 |
| 007 | 36280-41630 | WASHER | 1 | | | | 0.06 | 0.132 |
| 008 | 36280-41640 | SCREW | 1 | | | | 0.046 | 0.1012 |
| 009 | 36280-41650 | NUT LOCK | 1 | | | | 0.068 | 0.1496 |
| 010 | 04717-01600 | WASHER SEAL | 1 | | | | 0.003 | 0.0066 |
| 011 | 36280-41660 | BUSH | 2 | | | | 0 | 0 |
| 012 | 36280-41670 | WASHER THRUST | 1 | | | | 0.04 | 0.088 |
| 013 | 36280-42150 | CASE DIFF | 1 | | | | 20 | 44 |
| 014 | 36280-42163 | COVER CASE DIFF | 1 | | | | 6 | 13.2 |
| 014 | 36280-42164 | COVER CASE DIFF | 1 | >=10001 | | | 0 | 0 |
| 015 | 04512-50120 | WASHER SPRING | 8 | | | | 0 | 0 |
| 016 | 36280-42190 | PIN STRAIGHT | 2 | | | | 0.03 | 0.066 |
| 017 | 06331-35020 | PLUG | 4 | | | | 0.068 | 0.1496 |
| 018 | 04717-02000 | WASHER SEAL | 4 | | | | 0.004 | 0.0088 |
| 019 | 36280-42210 | CASE | 1 | | | | 1.83 | 4.026 |
| 020 | 36280-42220 | SHIM 0.3 | 6 | | | | 0.017 | 0.0374 |
| 021 | 36280-42230 | SHIM 0.1 | 4 | | | | 0.001 | 0.0022 |
| 022 | 04811-50950 | O RING | 1 | | | | 0.003 | 0.0066 |
| 023 | 01176-51235 | BOLT | 4 | | | | 0.041 | 0.0902 |
| 024 | 04512-50120 | WASHER SPRING | 4 | | | | 0 | 0 |
| 025 | 36280-42250 | COVER | 1 | | | | 2.06 | 4.532 |
| 026 | 04811-10750 | O RING | 1 | | | | 0.001 | 0.0022 |
| 027 | 01176-51030 | BOLT | 5 | | | | 0 | 0 |
| 028 | 04512-50100 | WASHER SPRING | 5 | | | | 0 | 0 |
| 029 | 36280-42180 | STUD | 8 | | | | 0.04 | 0.088 |
| 030 | 02176-50120 | NUT | 8 | | | | 0.01 | 0.022 |



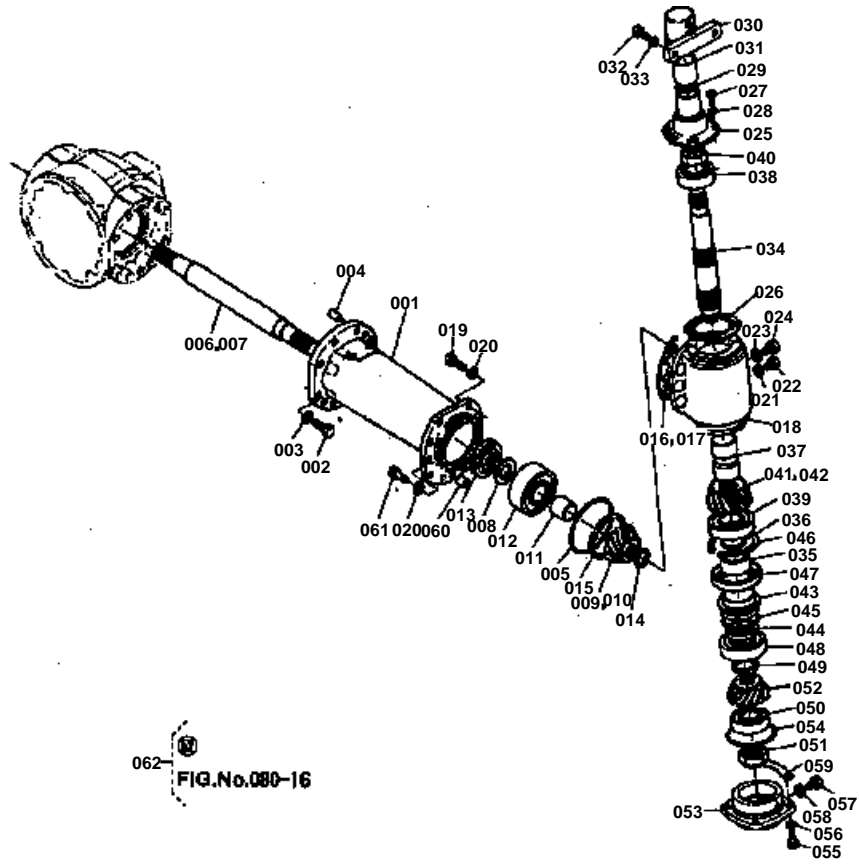


DIFF CASE 2

↔ Interchangeable; ≠ not interchangeable; ← new for old; → old for new

| REF.No | Part No. | Description | Q'ty | S.No. | I/C | REMARKS | Weight (kgf) | Weight (lb) |
|--------|-------------|----------------------|------|--------|-----|---------------------|--------------|-------------|
| 001 | 99999-99999 | BLANK | 0 | | | ORDER BY REF.No.042 | 0 | 0 |
| 002 | 36280-42270 | ASSY BEARING | 1 | | | | 1.43 | 3.146 |
| 003 | 04612-00300 | CIR-CLIP EXTERNAL | 1 | | | | 0.003 | 0.0066 |
| 004 | 36280-41270 | SLEEVE | 1 | | | | 0 | 0 |
| 005 | 09500-38508 | SEAL OIL | 1 | | | | 0.012 | 0.0264 |
| 006 | 70531-54750 | NUT 35 | 1 | | | | 0.105 | 0.231 |
| 007 | 33400-32710 | CASE DIFF | 1 | ≤10641 | | | 3.9 | 8.58 |
| 007 | 35450-32710 | CASE DIFF | 1 | ≥10642 | | | 4.8 | 10.56 |
| 008 | 33400-32720 | GEAR DIFF SIDE 1 | 1 | | | | 0.8 | 1.76 |
| 009 | 33400-32730 | GEAR DIFF SIDE 2 | 1 | | | | 1.1 | 2.42 |
| 010 | 99999-99999 | BLANK | 0 | | | ORDER BU REF.No.041 | 0 | 0 |
| 011 | 33400-32760 | BUSH | 2 | ≤10641 | | | 0.024 | 0.0528 |
| 012 | 33400-32770 | SHAFT DIFF PINION | 1 | ≤10641 | | | 0.5 | 1.1 |
| 012 | 36330-32770 | SHAFT DIFF PINION | 1 | ≥10642 | | | 0 | 0 |
| 013 | 33251-32780 | WASHER | 2 | | | SUITABILITY | 0.025 | 0.055 |
| 014 | 33251-32790 | WASHER | 2 | | | SUITABILITY | 0.025 | 0.055 |
| 015 | 33400-32810 | WASHER | 2 | ≤10641 | | | 0.02 | 0.044 |
| 015 | 36330-32810 | WASHER | 2 | ≥10642 | | | 0.018 | 0.0396 |
| 016 | 33251-32820 | KEY | 1 | | | | 0.002 | 0.0044 |
| 017 | 33400-32851 | ASSY SHIFTER DIFF LO | 1 | | | | 0 | 0 |
| 018 | 99999-99999 | BLANK | 0 | | | ORDER BY REF.No.042 | 0 | 0 |
| 019 | 36280-42320 | BOLT | 8 | | | | 0.042 | 0.0924 |
| 020 | 36280-42410 | CASE DIFF BEARING RH | 1 | | | | 1.04 | 2.288 |
| 021 | 36280-42420 | CASE DIFF BEARING LH | 1 | | | | 1.21 | 2.662 |
| 022 | 04811-51050 | O RING | 2 | | | | 0.003 | 0.0066 |
| 023 | 01517-51022 | STUD | 8 | | | | 0 | 0 |
| 024 | 04512-50100 | WASHER SPRING | 8 | | | | 0 | 0 |
| 025 | 02176-50100 | NUT | 8 | | | | 0.005 | 0.011 |
| 026 | 08711-30209 | BEARING | 1 | | | | 0.458 | 1.0076 |
| 027 | 08711-32011 | BEARING | 1 | | | | 0.538 | 1.1836 |
| 028 | 36280-42430 | SCREW | 2 | | | | 0.562 | 1.2364 |
| 029 | 09160-38558 | SEAL OIL | 2 | | | | 0.018 | 0.0396 |
| 030 | 04811-00800 | O RING | 2 | | | | 0.009 | 0.0198 |
| 031 | 36280-42440 | STOPPER | 2 | | | | 0.004 | 0.0088 |
| 032 | 01202-50610 | BOLT | 2 | | | | 0.004 | 0.0088 |
| 033 | 36280-42510 | BAR SHIFT | 1 | | | | 0.624 | 1.3728 |
| 034 | 36280-42520 | FORK SHIFT | 1 | | | | 0.53 | 1.166 |
| 035 | 33540-42530 | CAM DIFFLOCK | 1 | | | | 0.011 | 0.0242 |
| 036 | 05411-00635 | PIN SPRING | 1 | | | | 0.005 | 0.011 |
| 037 | 36280-42540 | SPRING | 1 | | | | 0.102 | 0.2244 |
| 038 | 09500-16287 | SEAL OIL | 1 | | | | 0.01 | 0.022 |
| 039 | 36200-32950 | SHIM | 1 | | | | 0.002 | 0.0044 |
| 040 | 36280-43100 | ASSY DIFF | 1 | ≤10641 | | | 0 | 0 |
| 040 | 35450-32200 | ASSY DIFF | 1 | ≥10642 | | | 8.4 | 18.48 |
| 041 | 33400-32740 | ASSY DIFF PINION | 1 | ≤10641 | | | 0.31 | 0.682 |
| 041 | 36330-32750 | ASSY DIFF PINION | 1 | ≥10642 | | | 0 | 0 |
| 042 | 36280-42240 | ASSY BEVEL PINION | 1 | | | | 5.5 | 12.1 |

FRONT AXLE SUPPORT



062
FIG.No.080-16



FRONT AXLE SUPPORT

↔ Interchangeable; ≠ not interchangeable; ← new for old; → old for new

| REF.No | Part No. | Description | Q'ty | S.No. | I/C | REMARKS | Weight (kgf) | Weight (lb) |
|--------|-------------|---------------------|------|-------|-----|---------------------|--------------|-------------|
| 001 | 36280-43113 | SUPPORT AXLE FRONT | 2 | | | | 17.7 | 38.94 |
| 002 | 01173-51240 | BOLT | 18 | | | | 0.045 | 0.099 |
| 003 | 04512-50120 | WASHER SPRING | 18 | | | | 0 | 0 |
| 004 | 36280-43150 | PIN STRAIGHT | 4 | | | | 0.031 | 0.0682 |
| 005 | 04811-51150 | O RING | 2 | | | | 0.004 | 0.0088 |
| 006 | 36280-43212 | SHAFT RH | 1 | | | | 0 | 0 |
| 007 | 36280-43223 | SHAFT LH | 1 | | | | 6.3 | 13.86 |
| 008 | 36280-43233 | COLLAR | 2 | | | | 0.039 | 0.0858 |
| 009 | 36280-43240 | BEVEL PINION 15 RH | 1 | | | | 1.13 | 2.486 |
| 010 | 36280-43250 | BEVEL PINION 15 LH | 1 | | | | 1.16 | 2.552 |
| 011 | 36280-43260 | LACE INNER | 2 | | | | 0.088 | 0.1936 |
| 012 | 08241-03309 | BEARING BALL | 2 | | | | 1.42 | 3.124 |
| 013 | 09034-46812 | SEAL OIL | 2 | | | | 0.035 | 0.077 |
| 014 | 04612-00400 | CIR-CLIP EXTERNAL | 2 | | | | 0.005 | 0.011 |
| 015 | 04611-01000 | CIR-CLIP INTERNAL | 2 | | | | 0.042 | 0.0924 |
| 016 | 36280-43273 | SHIM 0.3 | 12 | | | SUITABILITY | 0.009 | 0.0198 |
| 017 | 36280-43280 | SHIM 0.1 | 12 | | | SUITABILITY | 0.002 | 0.0044 |
| 018 | 36280-43315 | CASE GEAR BEVEL | 2 | | | | 7 | 15.4 |
| 019 | 01076-51235 | BOLT | 20 | | | | 0.045 | 0.099 |
| 020 | 04512-50120 | WASHER SPRING | 20 | | | | 0 | 0 |
| 021 | 06331-35010 | PLUG | 2 | | | | 0.012 | 0.0264 |
| 022 | 04717-01000 | WASHER SEAL | 2 | | | | 0.001 | 0.0022 |
| 023 | 06331-35020 | PLUG | 2 | | | | 0.068 | 0.1496 |
| 024 | 04717-02000 | WASHER SEAL | 2 | | | | 0.004 | 0.0088 |
| 025 | 36280-43320 | RETAINER BEARING | 2 | | | | 1.37 | 3.014 |
| 026 | 36280-43330 | GASKET | 2 | | | | 0.003 | 0.0066 |
| 027 | 01173-51030 | BOLT | 12 | | | | 0.023 | 0.0506 |
| 028 | 04512-50100 | WASHER SPRING | 12 | | | | 0 | 0 |
| 029 | 04811-50500 | O RING | 2 | | | | 0.001 | 0.0022 |
| 030 | 36280-43340 | SUPPORT FRONT WHEEL | 2 | | | | 1.7 | 3.74 |
| 031 | 36280-43350 | BUSH | 2 | | | | 0 | 0 |
| 032 | 01173-51235 | BOLT | 4 | | | | 0.04 | 0.088 |
| 033 | 04512-50120 | WASHER SPRING | 4 | | | | 0 | 0 |
| 034 | 36280-43410 | PIN KING | 2 | | | | 3.68 | 8.096 |
| 035 | 36280-43420 | COLLAR | 2 | | | | 0.345 | 0.759 |
| 036 | 04811-50450 | O RING | 2 | | | | 0.002 | 0.0044 |
| 037 | 36280-43430 | COLLAR | 2 | | | | 0.481 | 1.0582 |
| 038 | 08241-03307 | BEARING BALL | 2 | | | | 0.8 | 1.76 |
| 039 | 08101-06309 | BEARING BALL | 2 | | | | 0.82 | 1.804 |
| 040 | 70531-54750 | NUT 35 | 2 | | | | 0.105 | 0.231 |
| 041 | 36280-43440 | GEAR BEVEL 18 RH | 1 | | | | 1.6 | 3.52 |
| 042 | 36280-43450 | GEAR BEVEL 18 LH | 1 | | | | 1.58 | 3.476 |
| 043 | 36280-43460 | COLLAR SEAL | 2 | | | | 0.378 | 0.8316 |
| 044 | 09400-63758 | SEAL OIL | 2 | | | | 0.02 | 0.044 |
| 045 | 04811-50800 | O RING | 2 | | | | 0.003 | 0.0066 |
| 046 | 04611-01000 | CIR-CLIP INTERNAL | 2 | | | | 0.042 | 0.0924 |
| 047 | 36280-43480 | SEAL OIL | 2 | | | | 0.06 | 0.132 |
| 048 | 08101-06309 | BEARING BALL | 2 | | | | 0.82 | 1.804 |
| 049 | 36280-43510 | COLLAR | 2 | | | | 0.05 | 0.11 |
| 050 | 08101-06308 | BEARING BALL | 2 | | | | 0.63 | 1.386 |
| 051 | 70531-54750 | NUT 35 | 2 | | | | 0.105 | 0.231 |
| 052 | 99999-99999 | BLANK | 0 | | | ORDER BY REF.No.062 | 0 | 0 |
| 053 | 36280-43540 | CASE BEARING | 2 | | | | 1.56 | 3.432 |
| 054 | 04811-51000 | O RING | 2 | | | | 0.003 | 0.0066 |
| 055 | 01173-51028 | BOLT | 8 | | | | 0.022 | 0.0484 |
| 056 | 04512-50100 | WASHER SPRING | 8 | | | | 0 | 0 |
| 057 | 06331-35020 | PLUG | 2 | | | | 0.068 | 0.1496 |
| 058 | 04717-02000 | WASHER SEAL | 2 | | | | 0.004 | 0.0088 |
| 059 | 36280-43550 | SHIM 0.1 | 8 | | | | 0.001 | 0.0022 |

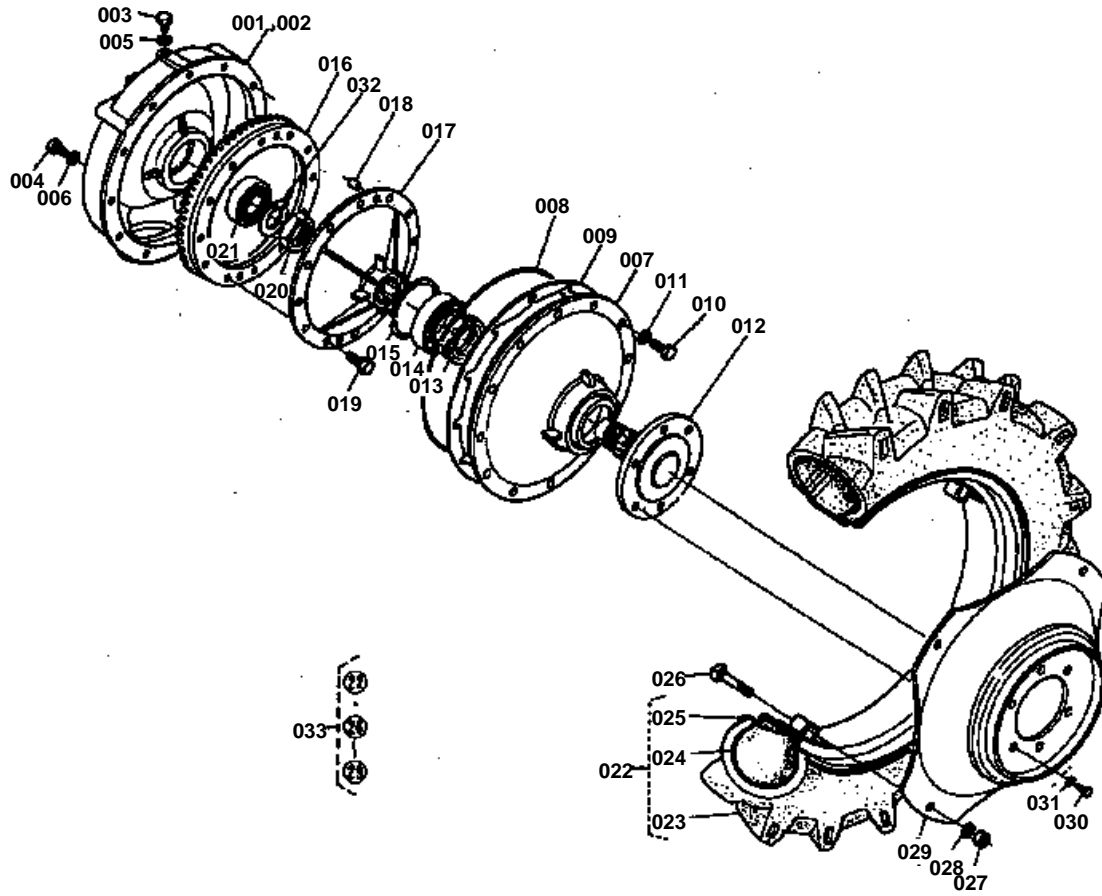


FRONT AXLE SUPPORT

↔ Interchangeable; ≠ not interchangeable; ← new for old; → old for new

| REF.No | Part No. | Description | Q'ty | S.No. | I/C | REMARKS | Weight (kgf) | Weight (lb) |
|--------|-------------|-------------------|------|-------|-----|---------|--------------|-------------|
| 060 | 36280-43170 | KNOCK PIPE | 2 | | | | 0.022 | 0.0484 |
| 061 | 36280-43180 | BOLT UBS | 2 | | | | 0.052 | 0.1144 |
| 062 | 36280-43940 | ASSY PINION BEVEL | 2 | | | | 0 | 0 |
| 063 | 32210-27580 | PLUG | 4 | | | | 0.001 | 0.0022 |

FRONT WHEEL CASE



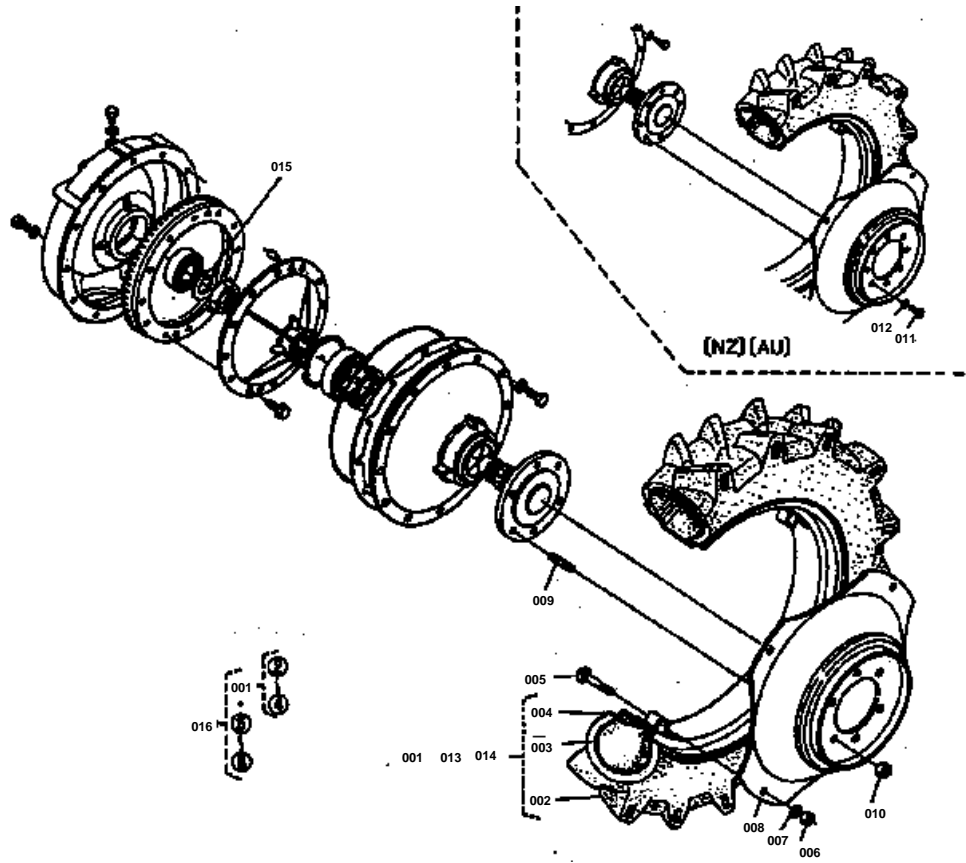


FRONT WHEEL CASE

↔ Interchangeable; ≠ not interchangeable; ← new for old; → old for new

| REF.No | Part No. | Description | Q'ty | S.No. | I/C | REMARKS | Weight (kgf) | Weight (lb) |
|--------|-------------|--------------------------|------|--------|-----|--------------------------------------|--------------|-------------|
| 001 | 36280-43614 | CASE FRONT WHEEL RH | 1 | | | | 20 | 44 |
| 002 | 36280-43654 | CASE FRONT WHEEL LH | 1 | | | | 22.5 | 49.5 |
| 003 | 06331-35020 | PLUG | 2 | | | | 0.068 | 0.1496 |
| 004 | 06331-35010 | PLUG | 2 | | | | 0.012 | 0.0264 |
| 005 | 04717-02000 | WASHER SEAL | 2 | | | | 0.004 | 0.0088 |
| 006 | 04717-01000 | WASHER SEAL | 2 | | | | 0.001 | 0.0022 |
| 007 | 36280-43620 | COVER CASE | 2 | ≤10401 | | | 14.1 | 31.02 |
| 007 | 35780-43620 | COVER CASE | 2 | ≥10402 | | | 13.5 | 29.7 |
| 008 | 33540-43630 | O RING | 2 | | | | 0.014 | 0.0308 |
| 009 | 33540-43640 | SHIM 0.2 | 20 | | | SUITABILITY | 0.04 | 0.088 |
| 010 | 01173-51028 | BOLT | 24 | | | | 0.022 | 0.0484 |
| 011 | 04512-50100 | WASHER SPRING | 24 | | | | 0 | 0 |
| 012 | 35460-43710 | SHAFT FRONT AXLE | 2 | ≤10401 | | | 9.2 | 20.24 |
| 012 | 35780-43710 | SHAFT FRONT AXLE | 2 | ≥10402 | | | 11.2 | 24.64 |
| 013 | 34350-27560 | SEAL OIL | 2 | ≤10401 | | | 0.11 | 0.242 |
| 013 | 36200-48250 | SEAL SHAFT | 2 | ≥10402 | | | 0 | 0 |
| 014 | 08101-06311 | BEARING BALL | 2 | ≤10401 | | | 1.36 | 2.992 |
| 014 | 08101-06312 | BEARING BALL | 2 | ≥10402 | | | 1.68 | 3.696 |
| 015 | 04611-01200 | CIR-CLIP | 2 | ≤10401 | | | 0.083 | 0.1826 |
| 015 | 04611-01300 | CIR-CLIP | 2 | ≥10402 | | | 0.1 | 0.22 |
| 016 | 99999-99999 | BLANK | 0 | | | ORDER BY REF.No.062 ON FIG.No.079 | 0 | 0 |
| 017 | 36280-43730 | SUPPORT BEVEL GEAR | 2 | ≤10401 | | | 9 | 19.8 |
| 017 | 35780-43730 | SUPPORT BEVEL GEAR | 2 | ≥10402 | | | 9 | 19.8 |
| 018 | 05012-01325 | PIN STRAIGHT | 4 | | | | 0.028 | 0.0616 |
| 019 | 36280-42320 | BOLT | 24 | | | | 0.042 | 0.0924 |
| 020 | 36280-43750 | NUT | 2 | ≤10401 | | | 0.2 | 0.44 |
| 020 | 35780-43750 | NUT | 2 | ≥10402 | | | 0.205 | 0.451 |
| 021 | 08101-06309 | BEARING BALL | 2 | | | | 0.82 | 1.804 |
| 022 | 36280-24100 | ASSY TIRE FRONT WHEEL | 2 | | | EXCEPT [A][NZ][AU] | 37 | 81.4 |
| 023 | 36280-24110 | TIRE | 2 | | | EXCEPT [A][NZ][AU] | 0 | 0 |
| 024 | 36280-24120 | TIRE TUBE | 2 | | | EXCEPT [A][NZ][AU] | 1.9 | 4.18 |
| 025 | 36280-24130 | RIM | 2 | | | EXCEPT [A][NZ][AU] | 13 | 28.6 |
| 026 | 36500-49380 | BOLT | 8 | | | EXCEPT [A][NZ][AU] | 0.2 | 0.44 |
| 027 | 36500-49390 | NUT | 8 | | | EXCEPT [A][NZ][AU] | 0.043 | 0.0946 |
| 028 | 36500-49410 | SPRING | 8 | | | EXCEPT [A][NZ][AU] | 0.024 | 0.0528 |
| 029 | 35461-24150 | DISK | 2 | | | EXCEPT [A][NZ][AU] | 14.2 | 31.24 |
| 030 | 36280-24160 | BOLT | 16 | | | EXCEPT [A][NZ][AU] | 0.1 | 0.22 |
| 031 | 36500-49410 | SPRING | 16 | | | EXCEPT [A][NZ][AU] | 0.024 | 0.0528 |
| 032 | 35780-43770 | WASHER | 2 | | | EXCEPT [A][NZ][AU] | 0.09 | 0.198 |
| 033 | 35463-49200 | ASSY FRONT WHEEL | 1 | | | EXCEPT [A][NZ][AU] | 0 | 0 |

FRONT WHEEL CASE



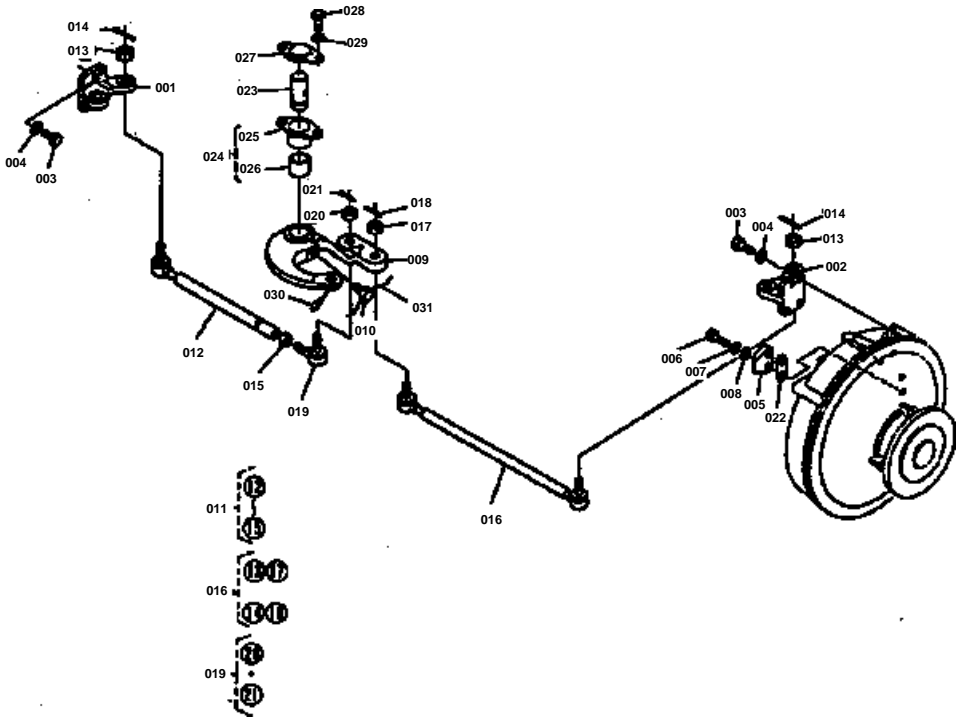


FRONT WHEEL CASE

↔ Interchangeable; ≠ not interchangeable; ← new for old; → old for new

| REF.No | Part No. | Description | Q'ty | S.No. | I/C | REMARKS | Weight (kgf) | Weight (lb) |
|--------|-------------|----------------------|------|-------|-----|-----------------|--------------|-------------|
| 001 | 36580-24100 | ASSY TIRE FRONT WHEE | 1 | | | [NZ][AU] | 42 | 92.4 |
| 001 | 36580-24102 | ASSY TIRE FRONT WHEE | 2 | | | [NZ][AU] | 0 | 0 |
| 002 | 70000-00248 | TIRE | 2 | | | [A](K.T.C) | 0 | 0 |
| 002 | 33540-49210 | TIRE | 2 | | | [NZ][AU] | 0 | 0 |
| 003 | 70000-00249 | TIRE TUBE | 2 | | | [A](K.T.C) | 0 | 0 |
| 003 | 33540-49220 | TIRE TUBE | 2 | | | [NZ][AU] | 2.3 | 5.06 |
| 004 | 70000-00247 | RIM | 2 | | | [A](K.T.C) | 0 | 0 |
| 004 | 36280-24130 | RIM | 2 | | | [NZ][AU] | 13 | 28.6 |
| 005 | 99999-99999 | BOLT | 8 | | | YOUR SUPPLY [A] | 0 | 0 |
| 005 | 36500-49380 | BOLT | 8 | | | [NZ][AU] | 0.2 | 0.44 |
| 006 | 99999-99999 | NUT | 8 | | | YOUR SUPPLY [A] | 0 | 0 |
| 006 | 36500-49390 | NUT | 8 | | | [NZ][AU] | 0.043 | 0.0946 |
| 007 | 99999-99999 | SPRING | 8 | | | YOUR SUPPLY [A] | 0 | 0 |
| 007 | 36500-49410 | SPRING | 8 | | | [NZ][AU] | 0.024 | 0.0528 |
| 008 | 99999-99999 | DISK | 2 | | | YOUR SUPPLY [A] | 0 | 0 |
| 008 | 35461-24150 | DISK | 2 | | | [NZ][AU] | 14.2 | 31.24 |
| 009 | 35410-49150 | STUD | 16 | | | [A] | 0.078 | 0.1716 |
| 010 | 33251-49170 | NUT | 16 | | | [A] | 0.045 | 0.099 |
| 011 | 36280-24160 | BOLT | 12 | | | [NZ][AU] | 0.1 | 0.22 |
| 012 | 36500-49410 | SPRING | 12 | | | [NZ][AU] | 0.024 | 0.0528 |
| 013 | 70000-00245 | ASSY TIRE FRONT RH | 1 | | | [A](K.T.C) | 0 | 0 |
| 014 | 70000-00246 | ASSY TIRE FRONT LH | 1 | | | [A](K.T.C) | 0 | 0 |
| 015 | 35780-43770 | WASHER | 2 | | | | 0.09 | 0.198 |
| 016 | 35461-49200 | ASSY FRONT WHEEL | 1 | | | [NZ][AU] | 0 | 0 |

KNUCKLE ARM

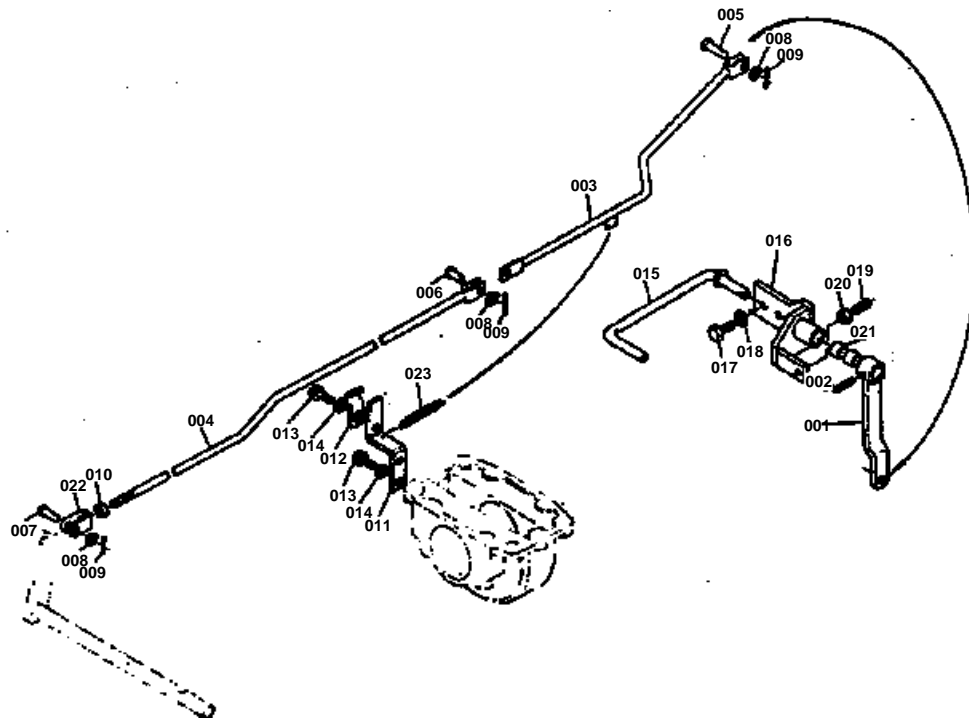


**KNUCKLE ARM**

↔ Interchangeable; ≠ not interchangeable; ← new for old; → old for new

| REF.No | Part No. | Description | Q'ty | S.No. | I/C | REMARKS | Weight (kgf) | Weight (lb) |
|--------|-------------|----------------------|------|---------|-----|---------------------|--------------|-------------|
| 001 | 36280-43810 | ARM KNUCKLE RH | 1 | | | | 1.12 | 2.464 |
| 002 | 36280-43820 | ARM KNUCKLE LH | 1 | | | | 1.1 | 2.42 |
| 003 | 01173-51235 | BOLT | 8 | | | | 0.04 | 0.088 |
| 004 | 04512-50120 | WASHER SPRING | 8 | | | | 0 | 0 |
| 005 | 36280-43830 | STOPPER | 2 | | | | 0.238 | 0.5236 |
| 006 | 01173-51235 | BOLT | 4 | | | | 0.04 | 0.088 |
| 007 | 04512-50120 | WASHER SPRING | 4 | | | | 0 | 0 |
| 008 | 04013-50120 | WASHER PLAIN | 4 | | | | 0 | 0 |
| 009 | 36280-62640 | LEVER | 1 | | | | 0 | 0 |
| 010 | 36580-62680 | BOLT | 1 | | | | 0 | 0 |
| 011 | 36280-62900 | ASSY ROD TIE RH | 1 | | | | 0 | 0 |
| 011 | 36280-62902 | ASSY ROD TIE RH | 1 | >=10001 | | | 2.3 | 5.06 |
| 012 | 99999-99999 | BLANK | 0 | | | ORDER BY REF.No.011 | 0 | 0 |
| 013 | 36280-62750 | NUT SLOTTED | 1 | | | | 0 | 0 |
| 013 | 36280-62752 | NUT SLOTTED | 1 | >=10001 | | | 0 | 0 |
| 013 | 36280-62753 | NUT SLOTTED | 1 | >=10001 | | | 0 | 0 |
| 013 | 36280-62754 | NUT SLOTTED | 1 | >=10001 | | | 0.03 | 0.066 |
| 014 | 05511-50328 | PIN SPLIT | 1 | | | | 0.002 | 0.0044 |
| 014 | 05511-50330 | PIN SPLIT | 1 | >=10001 | | | 0.005 | 0.011 |
| 015 | 02172-50200 | NUT | 1 | | | | 0.03 | 0.066 |
| 016 | 36280-62870 | ASSY ROD TIE LH | 1 | | | | 0 | 0 |
| 016 | 36280-62872 | ASSY ROD TIE LH | 1 | >=10001 | | | 2.3 | 5.06 |
| 017 | 36280-62750 | NUT SLOTTED | 1 | | | | 0 | 0 |
| 017 | 36280-62752 | NUT SLOTTED | 1 | >=10001 | | | 0 | 0 |
| 017 | 36280-62753 | NUT SLOTTED | 1 | >=10001 | | | 0 | 0 |
| 017 | 36280-62754 | NUT SLOTTED | 1 | >=10001 | | | 0.03 | 0.066 |
| 018 | 05511-50328 | PIN SPLIT | 1 | | | | 0.002 | 0.0044 |
| 018 | 05511-50330 | PIN SPLIT | 1 | >=10001 | | | 0.005 | 0.011 |
| 019 | 36280-62930 | ASSY END TIE ROD | 1 | | | | 0 | 0 |
| 019 | 36280-62932 | ASSY END TIE ROD | 1 | >=10001 | | | 0.57 | 1.254 |
| 020 | 36280-62750 | NUT SLOTTED | 1 | | | | 0 | 0 |
| 020 | 36280-62752 | NUT SLOTTED | 1 | >=10001 | | | 0 | 0 |
| 020 | 36280-62753 | NUT SLOTTED | 1 | >=10001 | | | 0 | 0 |
| 020 | 36280-62754 | NUT SLOTTED | 1 | >=10001 | | | 0.03 | 0.066 |
| 021 | 05511-50328 | PIN SPLIT | 1 | | | | 0.002 | 0.0044 |
| 021 | 05511-50330 | PIN SPLIT | 1 | >=10001 | | | 0.005 | 0.011 |
| 022 | 36280-43840 | SHIM | 2 | | | SUITABILITY | 0.008 | 0.0176 |
| 023 | 33251-62650 | SHAFT STEERING LEVER | 1 | | | | 0.7 | 1.54 |
| 024 | 33251-62700 | ASSY SUPPORT LEVER S | 1 | | | | 0.45 | 0.99 |
| 025 | 99999-99999 | BLANK | 0 | | | ORDER BY REF.No.024 | 0 | 0 |
| 026 | 33251-62720 | BUSH LEVER SHAFT | 1 | | | | 0.074 | 0.1628 |
| 027 | 33251-62670 | COVER LEVER SHAFT | 1 | | | | 0.026 | 0.0572 |
| 028 | 01173-51025 | BOLT | 2 | | | | 0.021 | 0.0462 |
| 029 | 04512-50100 | WASHER SPRING | 2 | | | | 0 | 0 |
| 030 | 06613-30010 | NIPPLE GREASE | 1 | | | | 0.01 | 0.022 |

DIFF LOCK PEDAL



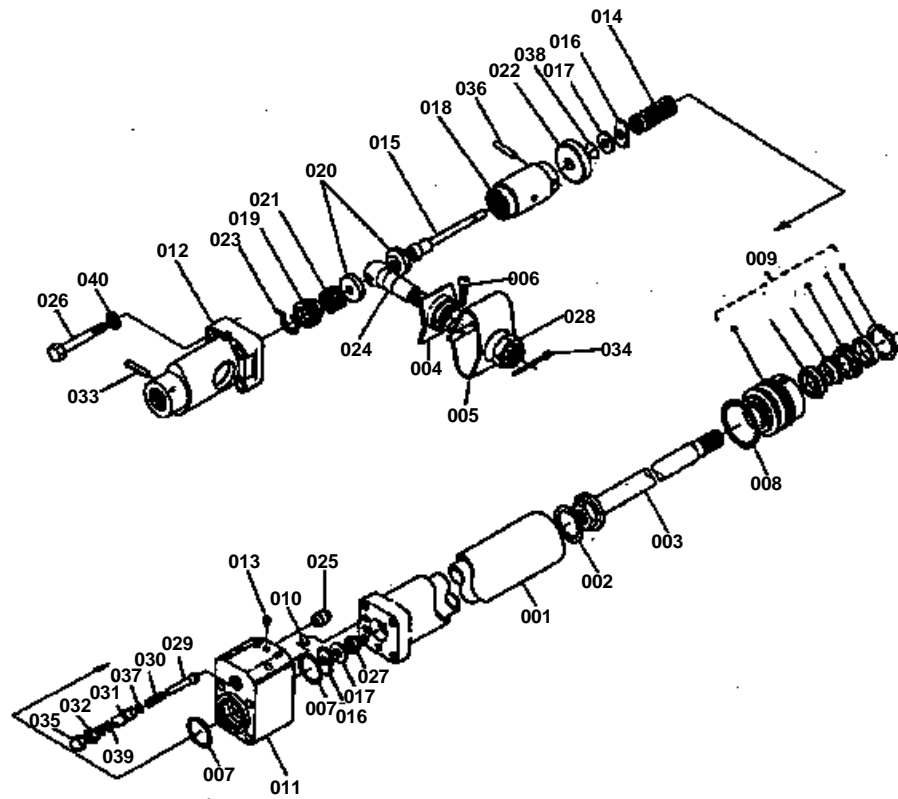


DIFF LOCK PEDAL

↔ Interchangeable; ≠ not interchangeable; ← new for old; → old for new

| REF.No | Part No. | Description | Q'ty | S.No. | I/C | REMARKS | Weight (kgf) | Weight (lb) |
|--------|-------------|---------------------|------|-------|-----|-------------|--------------|-------------|
| 001 | 36280-44110 | LEVER DIFF LOCK | 1 | | | | 0.498 | 1.0956 |
| 002 | 05411-00630 | PIN SPRING | 1 | | | | 0.004 | 0.0088 |
| 003 | 36280-44120 | ROD DIFF LOCK REAR | 1 | | | | 0.694 | 1.5268 |
| 004 | 36380-44130 | ROD DIFF LOCK FRONT | 1 | | | | 0.98 | 2.156 |
| 005 | 05122-50828 | PIN JOINT | 1 | | | | 0.012 | 0.0264 |
| 006 | 05122-50825 | PIN JOINT | 1 | | | | 0.011 | 0.0242 |
| 007 | 05122-50820 | PIN JOINT | 1 | | | | 0.009 | 0.0198 |
| 008 | 04012-50080 | WASHER PLAIN | 3 | | | | 0.001 | 0.0022 |
| 009 | 05511-50215 | PIN SPLIT | 3 | | | | 0.001 | 0.0022 |
| 010 | 02172-50120 | NUT | 1 | | | | 0.01 | 0.022 |
| 011 | 36280-44150 | RETAINER ROD | 1 | | | | 0.096 | 0.2112 |
| 012 | 36280-44160 | RETAINER ROD | 1 | | | | 0.05 | 0.11 |
| 013 | 01120-50818 | BOLT | 3 | | | | 0 | 0 |
| 014 | 04013-50080 | WASHER PLAIN | 3 | | | | 0 | 0 |
| 015 | 36280-44210 | PEDAL FRONT | 1 | | | | 0.632 | 1.3904 |
| 016 | 36280-44222 | BRACKET PEDAL | 1 | | | | 0 | 0 |
| 016 | 36280-44220 | BRACKET PEDAL | 1 | | | | 0.826 | 1.8172 |
| 017 | 01173-51225 | BOLT | 2 | | | EXCEPT [AU] | 0.033 | 0.0726 |
| 018 | 04512-50120 | WASHER SPRING | 2 | | | | 0 | 0 |
| 019 | 03470-51040 | SCREW SET | 1 | | | | 0.02 | 0.044 |
| 020 | 02116-50100 | NUT | 1 | | | | 0.004 | 0.0088 |
| 021 | 36280-44230 | BUSH | 2 | | | | 0 | 0 |
| 022 | 34150-15630 | JOINT FORKED | 1 | | | | 0.095 | 0.209 |
| 023 | 66591-43250 | SPRING | 1 | | | | 0.026 | 0.0572 |

BOOSTER [SECTION PARTS]

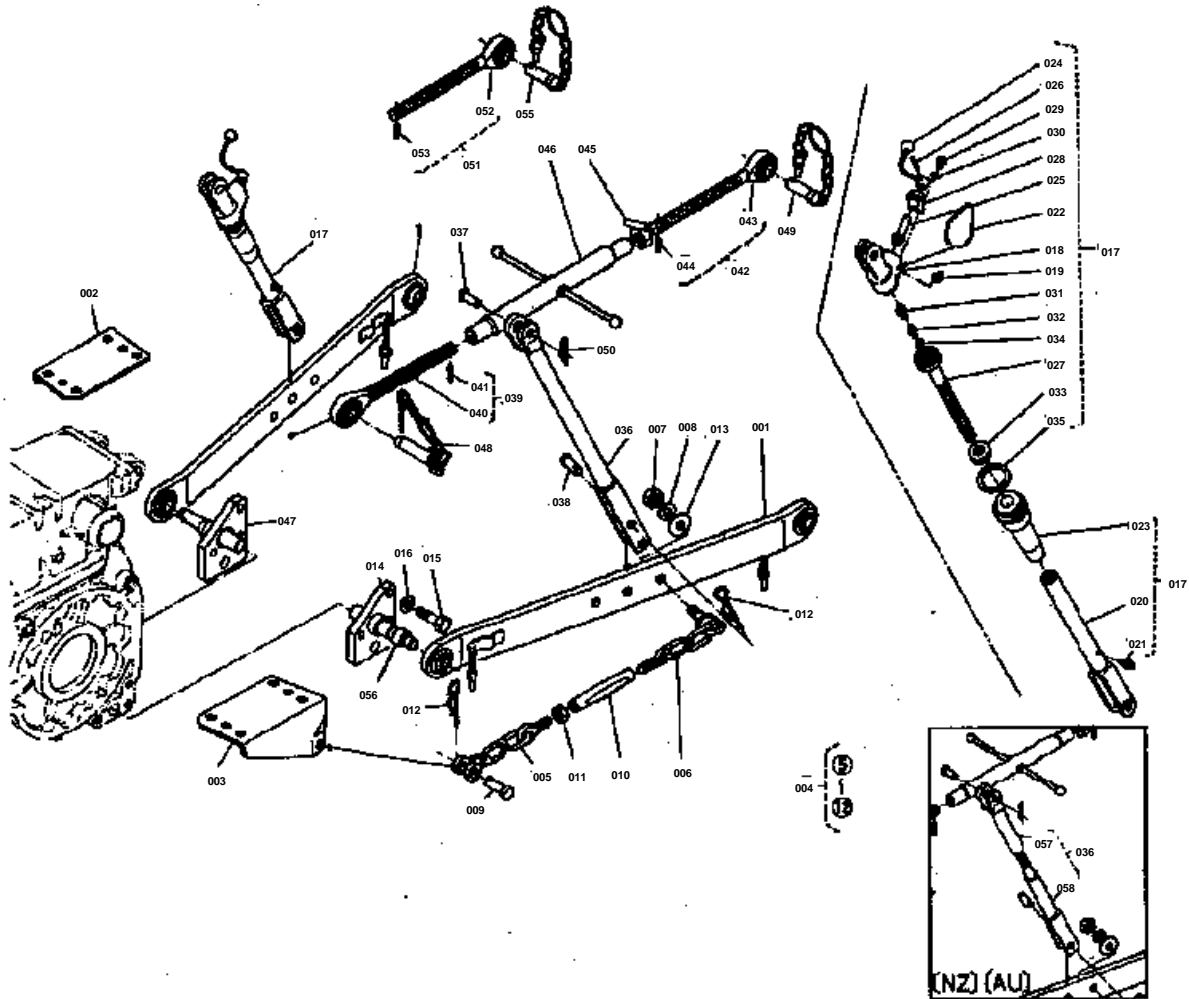


**BOOSTER [SECTION PARTS]**

↔ Interchangeable; ≠ not interchangeable; ← new for old; → old for new

| REF.No | Part No. | Description | Q'ty | S.No. | I/C | REMARKS | Weight (kgf) | Weight (lb) |
|--------|-------------|---------------------|------|-------|-----|---------|--------------|-------------|
| 001 | 35460-63880 | ASSY CYLINDER | 1 | | | | 2.2 | 4.84 |
| 002 | 33400-63890 | PISTON RING | 1 | | | | 0.005 | 0.011 |
| 003 | 33400-63940 | ASSY PISTON AND ROD | 1 | | | | 1.1 | 2.42 |
| 004 | 33400-63950 | SEAL | 1 | | | | 0.01 | 0.022 |
| 005 | 33400-63960 | RETAINER | 1 | | | | 0.035 | 0.077 |
| 006 | 33400-63970 | SCREW | 1 | | | | 0.002 | 0.0044 |
| 007 | 33400-63980 | O RING | 2 | | | | 0.001 | 0.0022 |
| 008 | 04810-50450 | O RING | 1 | | | | 0.002 | 0.0044 |
| 009 | 33400-63900 | ASSY BOX | 1 | | | | 0.5 | 1.1 |
| 010 | 04810-00060 | O RING | 2 | | | | 0.001 | 0.0022 |
| 011 | 35450-08110 | ASSY VALVE | 1 | | | | 1.78 | 3.916 |
| 012 | 35460-08120 | HOUSING SHIFTER | 1 | | | | 0.92 | 2.024 |
| 013 | 35460-08130 | PLUG | 1 | | | | 0.004 | 0.0088 |
| 014 | 35460-08140 | SPRING | 1 | | | | 0.04 | 0.088 |
| 015 | 35460-08160 | BOLT SPOOL | 1 | | | | 0.06 | 0.132 |
| 016 | 35460-08170 | SEAT SPRING | 2 | | | | 0.01 | 0.022 |
| 017 | 35460-08180 | WASHER | 2 | | | | 0.008 | 0.0176 |
| 018 | 35460-08190 | SLEEVE | 1 | | | | 0.15 | 0.33 |
| 019 | 35460-08210 | SCREW | 1 | | | | 0.04 | 0.088 |
| 020 | 35460-08220 | SEAT | 2 | | | | 0.03 | 0.066 |
| 021 | 35460-08230 | SPRING | 1 | | | | 0.01 | 0.022 |
| 022 | 35460-08240 | CAP | 1 | | | | 0.115 | 0.253 |
| 023 | 35460-08250 | RING SNAP | 1 | | | | 0.001 | 0.0022 |
| 024 | 35460-08260 | STUD | 1 | | | | 0.18 | 0.396 |
| 025 | 35460-08270 | FERRULE | 2 | | | | 0.003 | 0.0066 |
| 026 | 35460-08280 | BOLT | 4 | | | | 0.09 | 0.198 |
| 027 | 35460-08290 | NUT | 1 | | | | 0.01 | 0.022 |
| 028 | 35460-08310 | NUT | 1 | | | | 0.02 | 0.044 |
| 029 | 35460-08320 | PLUNGER | 1 | | | | 0.004 | 0.0088 |
| 030 | 35460-08330 | SPRING | 1 | | | | 0.002 | 0.0044 |
| 031 | 35460-08340 | ADJUSTOR | 1 | | | | 0.01 | 0.022 |
| 032 | 35460-08350 | NUT | 1 | | | | 0.005 | 0.011 |
| 033 | 05411-00312 | PIN SPRING | 1 | | | | 0.001 | 0.0022 |
| 034 | 05511-50430 | PIN SPLIT | 1 | | | | 0.004 | 0.0088 |
| 035 | 35460-08380 | CAP | 1 | | | | 0.004 | 0.0088 |
| 036 | 35460-08390 | PIN ROLLER | 1 | | | | 0.001 | 0.0022 |
| 037 | 04811-00030 | O RING | 1 | | | | 0.001 | 0.0022 |
| 038 | 04811-00120 | O RING | 1 | | | | 0.001 | 0.0022 |
| 039 | 04811-00070 | O RING | 1 | | | | 0.001 | 0.0022 |
| 040 | 04512-50080 | WASHER SPRING | 4 | | | | 0 | 0 |
| 041 | 06613-10010 | NIPPLE GREASE | 1 | | | | 0.006 | 0.0132 |

3-POINT LINK





3-POINT LINK

↔ Interchangeable; ≠ not interchangeable; ← new for old; → old for new

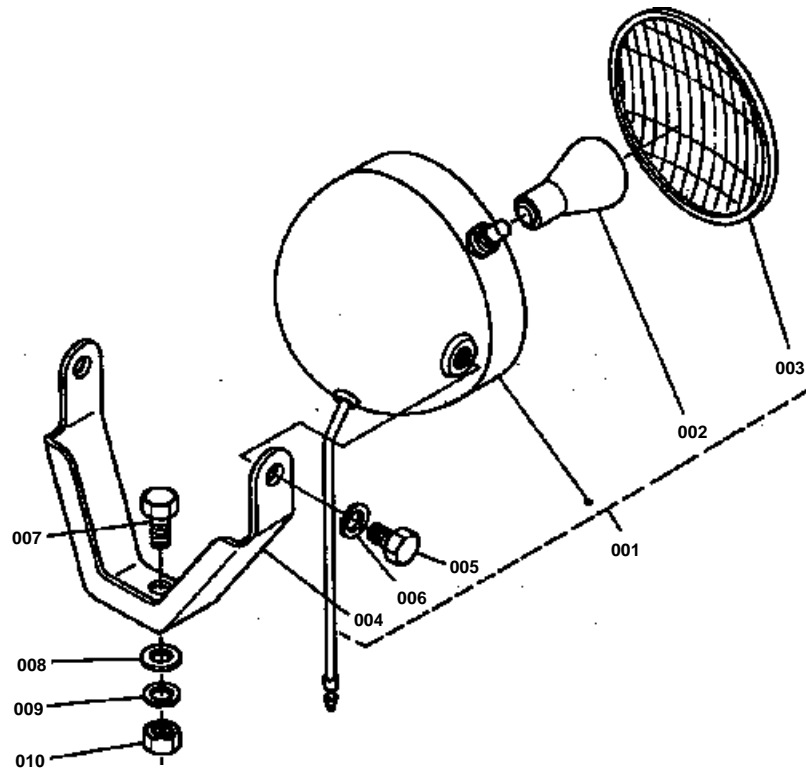
| REF.No | Part No. | Description | Q'ty | S.No. | I/C | REMARKS | Weight (kgf) | Weight (lb) |
|--------|-------------|----------------------|------|---------|-----|---------------------|--------------|-------------|
| 001 | 36300-91010 | ASSY LINK LOWER | 2 | | | | 9.9 | 21.78 |
| 002 | 36200-91080 | BRACKET CHAIN RH | 1 | | | | 4.3 | 9.46 |
| 003 | 36200-91090 | BRACKET CHAIN LH | 1 | | | | 4.4 | 9.68 |
| 004 | 36300-91100 | ASSY CHAIN CHECK | 2 | | | | 2.46 | 5.412 |
| 005 | 36300-91110 | CHAIN CHECK FRONT | 1 | | | | 0.692 | 1.5224 |
| 006 | 36300-91160 | CHAIN CHECK | 1 | | | | 1.08 | 2.376 |
| 007 | 02174-50180 | NUT | 1 | | | | 0.029 | 0.0638 |
| 008 | 04512-50180 | WASHER SPRING | 1 | | | | 0 | 0 |
| 009 | 33251-91180 | PIN SET | 1 | | | | 0.04 | 0.088 |
| 010 | 36200-91190 | BUCKLE TURN | 1 | | | | 0.63 | 1.386 |
| 011 | 02154-50160 | NUT | 1 | | | | 0.025 | 0.055 |
| 012 | 33251-91860 | PIN SET 2 | 1 | | | | 0.023 | 0.0506 |
| 013 | 33251-91220 | WASHER | 2 | | | | 0.28 | 0.616 |
| 014 | 36200-91890 | PIN LOWER LINK LH | 1 | | | | 2.3 | 5.06 |
| 015 | 01173-51440 | BOLT | 6 | | | | 0.062 | 0.1364 |
| 016 | 04512-50140 | WASHER SPRING | 6 | | | | 0 | 0 |
| 017 | 36200-91230 | ASSY ROD TIE RH | 1 | | | | 4.4 | 9.68 |
| 018 | 33430-91240 | CASE TIE ROD GEAR RH | 1 | | | | 1.39 | 3.058 |
| 019 | 06613-10010 | NIPPLE GREASE | 1 | | | | 0.006 | 0.0132 |
| 020 | 36200-91250 | ROD TIE UNDER RH | 1 | | | | 1.4 | 3.08 |
| 021 | 06613-10010 | NIPPLE GREASE | 1 | | | | 0.006 | 0.0132 |
| 022 | 33251-91280 | SPRING ROD HANDLE | 1 | | | | 0.03 | 0.066 |
| 023 | 33251-91310 | SLEEVE TIE ROD RH | 1 | | | | 0 | 0 |
| 023 | 33251-91314 | SLEEVE TIE ROD RH | 1 | >=10001 | | | 0.66 | 1.452 |
| 024 | 33251-91320 | HANDLE TIE ROD RH | 1 | | | | 0.15 | 0.33 |
| 025 | 33251-91330 | PINION TIE ROD RH | 1 | | | | 0.09 | 0.198 |
| 026 | 05411-00525 | PIN SPRING | 1 | | | | 0.002 | 0.0044 |
| 027 | 33430-91340 | SHAFT | 1 | | | | 0.555 | 1.221 |
| 028 | 33251-91350 | HUB | 1 | | | | 0.09 | 0.198 |
| 029 | 01153-50820 | BOLT | 1 | | | | 0.012 | 0.0264 |
| 030 | 04512-50080 | WASHER SPRING | 1 | | | | 0 | 0 |
| 031 | 33251-91360 | PIN | 1 | | | | 0.008 | 0.0176 |
| 032 | 33251-91370 | PIN SET | 1 | | | | 0.014 | 0.0308 |
| 033 | 08401-51204 | BEARING THRUST BALL | 1 | | | | 0.172 | 0.3784 |
| 034 | 33251-91410 | SHIM | 1 | | | | 0.001 | 0.0022 |
| 035 | 33251-91420 | WASHER | 1 | | | | 0.011 | 0.0242 |
| 036 | 36200-91453 | ROD TIE LH | 1 | | | EXCEPT [NZ][AU] | 2.49 | 5.478 |
| 036 | 36200-91453 | ROD TIE LH | 1 | | | [NZ][AU] | 2.49 | 5.478 |
| 036 | 35452-91450 | ROD TIE LH | 1 | | | [NZ][AU] | 3.1 | 6.82 |
| 037 | 33251-91530 | PIN | 2 | | | | 0.135 | 0.297 |
| 038 | 36200-91540 | PIN | 2 | | | | 0.11 | 0.242 |
| 039 | 33300-91550 | ASSY LINK TOP FRONT | 1 | | | | 1.3 | 2.86 |
| 040 | 99999-99999 | BLANK | 0 | | | ORDER BY REF.No.042 | 0 | 0 |
| 041 | 05411-00632 | PIN SPRING | 1 | | | | 0.004 | 0.0088 |
| 042 | 33300-91610 | ASSY LINK TOP REAR | 1 | | | CATEGORY 1 | 1.4 | 3.08 |
| 043 | 33300-91610 | LINK TOP REAR | 1 | | | | 1.4 | 3.08 |
| 044 | 05411-00632 | PIN SPRING | 1 | | | | 0.004 | 0.0088 |
| 045 | 33400-91590 | NUT | 1 | | | | 0.11 | 0.242 |
| 046 | 33300-91620 | ASSY SLEEVE TOP LINK | 1 | | | | 2.05 | 4.51 |
| 047 | 36200-91880 | PIN LOWER LINK RH | 1 | | | | 2.25 | 4.95 |
| 048 | 36200-91650 | PIN | 1 | | | | 0.383 | 0.8426 |
| 049 | 33251-91740 | PIN | 1 | | | CATEGORY 1 | 0 | 0 |
| 049 | 35462-91740 | PIN | 1 | >=10001 | | CATEGORY 1 | 0.63 | 1.386 |
| 050 | 33251-91860 | PIN SET 2 | 4 | | | | 0.023 | 0.0506 |
| 051 | 33500-91610 | ASSY LINK TOP REAR | 1 | | | CATEGORY 2 | 1.59 | 3.498 |
| 052 | 99999-99999 | BLANK | 0 | | | ORDER BY REF.No.051 | 0 | 0 |
| 053 | 05411-00632 | PIN SPRING | 1 | | | | 0.004 | 0.0088 |
| 054 | 99999-99999 | BLANK | 0 | | | ORDER BY REF.No.051 | 0 | 0 |
| 055 | 33400-91740 | PIN | 1 | | | EXCEPT [NZ][AU] | 0.656 | 1.4432 |



3-POINT LINK

↔ Interchangeable; ≠ not interchangeable; ← new for old; → old for new

| REF.No | Part No. | Description | Q'ty | S.No. | I/C | REMARKS | Weight (kgf) | Weight (lb) |
|--------|-------------|-------------|------|---------|-----|----------|--------------|-------------|
| 055 | 33400-91740 | PIN | 1 | | | [NZ][AU] | 0.656 | 1.4432 |
| 055 | 35782-91740 | PIN | 1 | >=10001 | | [NZ][AU] | 0.4 | 0.88 |
| 056 | 33400-91910 | BUSH | 2 | | | | 0.07 | 0.154 |
| 057 | 33430-91440 | ROD TIE LH | 1 | | | [NZ][AU] | 1.55 | 3.41 |
| 058 | 35452-91470 | ROD TIE LH | 1 | | | [NZ][AU] | 1.66 | 3.652 |





WORK LAMP [A][NZ]

↔ Interchangeable; ≠ not interchangeable; ← new for old; → old for new

| REF.No | Part No. | Description | Q'ty | S.No. | I/C | REMARKS | Weight (kgf) | Weight (lb) |
|--------|-------------|----------------|------|-------|-----|---------|--------------|-------------|
| 001 | 35305-31400 | ASSY LAMP WORK | 1 | | | | 0 | 0 |
| 002 | 68331-53360 | BULB | 1 | | | | 0.015 | 0.033 |
| 003 | 68331-53310 | LENS | 1 | | | | 0.15 | 0.33 |
| 004 | 35305-31410 | STAY LAMP | 1 | | | | 0.24 | 0.528 |
| 005 | 01153-50820 | BOLT | 2 | | | | 0.012 | 0.0264 |
| 006 | 04512-50080 | WASHER SPRING | 2 | | | | 0 | 0 |
| 007 | 01173-51080 | BOLT | 1 | | | | 0.049 | 0.1078 |
| 008 | 04013-50100 | WASHER PLAIN | 1 | | | | 0 | 0 |
| 009 | 04512-50100 | WASHER SPRING | 1 | | | | 0 | 0 |
| 010 | 02176-50100 | NUT | 1 | | | | 0.005 | 0.011 |

IMAGE NOT AVAILABLE



ACCESSORY AND SERVICE PARTS

↔ Interchangeable; ≠ not interchangeable; ← new for old; → old for new

| REF.No | Part No. | Description | Q'ty | S.No. | I/C | REMARKS | Weight (kgf) | Weight (lb) |
|--------|-------------|--------------------|------|-------|-----|--------------------|--------------|-------------|
| 001 | 35580-99710 | MANUAL INSTRUCTION | 1 | | | [A] | 0.18 | 0.396 |
| 001 | 35452-99710 | MANUAL INSTRUCTION | 1 | | | [NZ][AU] | 0 | 0 |
| 001 | 35999-00960 | MANUAL INSTRUCTION | 1 | | | EXCEPT [A][NZ][AU] | 0.18 | 0.396 |
| 002 | 35580-99773 | LIST PARTS | 1 | | | [A] | 0 | 0 |
| 002 | 35582-99770 | LIST PARTS | 1 | | | [NZ] | 0 | 0 |
| 002 | 35999-00982 | LIST PARTS | 1 | | | EXCEPT [A][NZ][AU] | 0.33 | 0.726 |
| 002 | 35586-99770 | LIST PARTS | 1 | | | [AU] | 0 | 0 |