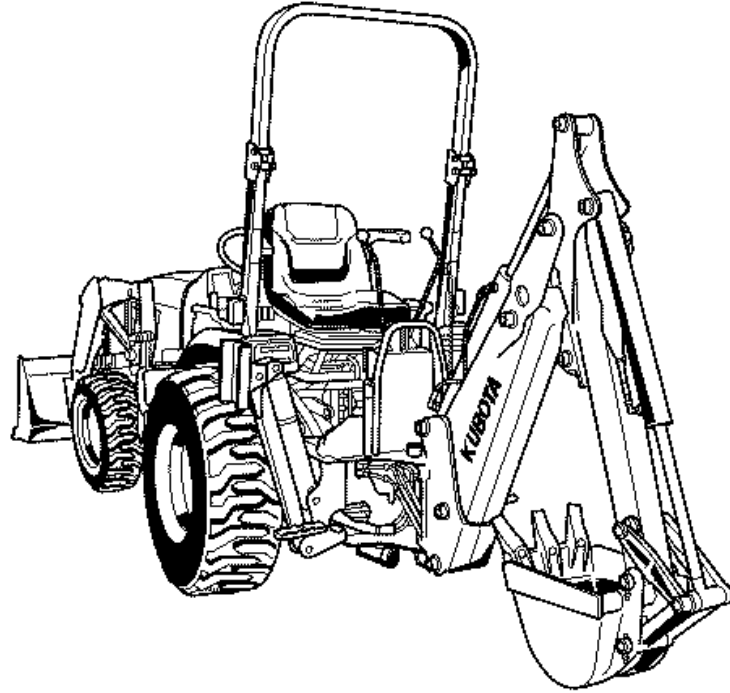


BH65

Figure Num BH65



Instructions for Parts Books

The heading at the top of the page will be the same for the picture of the parts as it is for the page with the part numbers.

Definition of column headings on part number pages:

REF.No → The number referring to the part on the picture page of the parts book.

Part No. → The number assigned to this part at the time of printing the parts book.

Part Name → Description of part.

Q'ty → Quantity of part used on that page.

S.No. → Serial number range of the equipment that this part will fit.

>= Your serial number should be greater than or equal to the number shown.

<= Your serial number should be lesser than or equal to the serial number shown.

I/C → Interchangeability of part shown.

= The part shown will work for the older and later serial number.

NI The part shown is not interchangeable with the other serial number.

Remarks → Notes about this particular part. Sometimes this may say except [FR] or [CA]

Note about Country Codes:

The parts books we use in the United States of America may also contain information about a part that would be

different in another country. It is important that you are aware of the country codes in some instances.

Symbol Country

A United States of America

CA Canada

FR France

GR Greece

PO Portugal

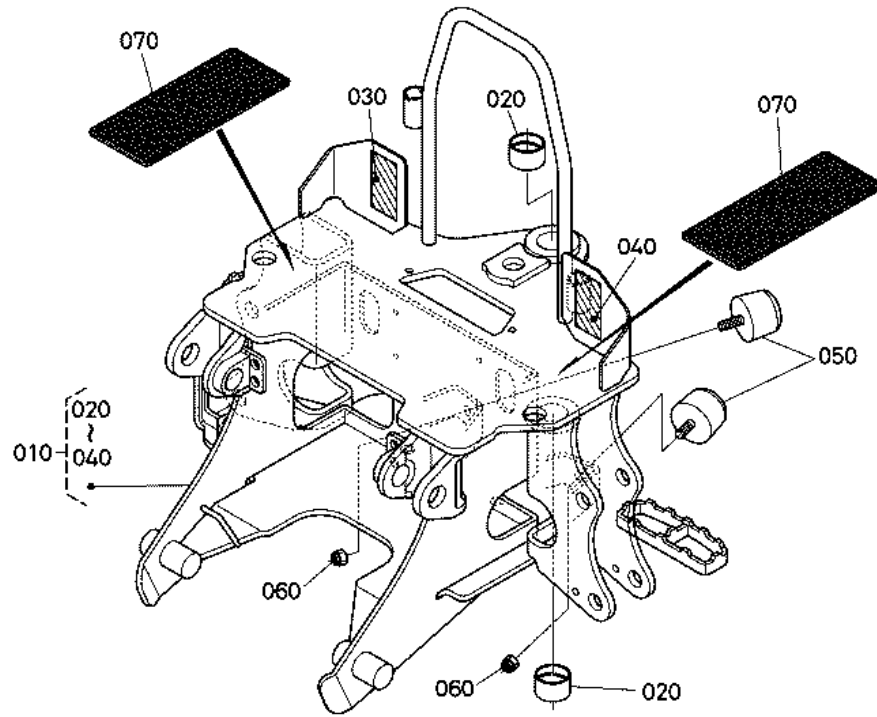
AU Australia

If the remarks column says for example EXCEPT [FR] this part works in all countries except France.

That means it will work here in the USA.

MAIN FRAME

Figure Num 01B001



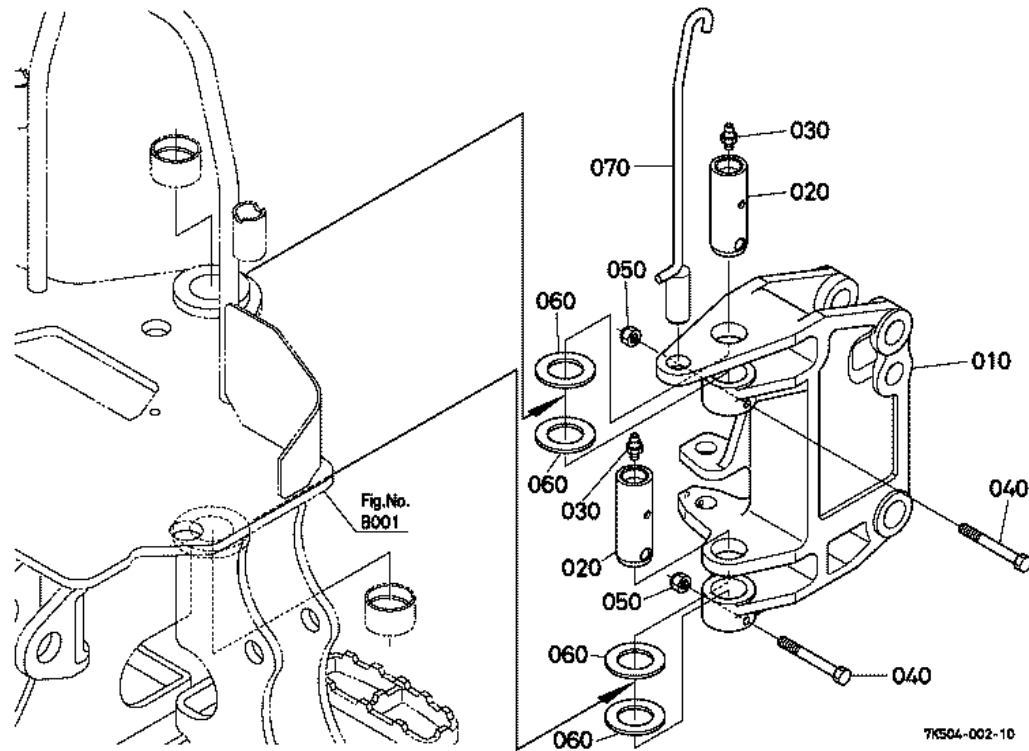
7K504-001-10

MAIN FRAME

Ref	Part Number	Part Name	Qty	IC	S/N	Lbs	Remarks
010	7K504-90110	FRAME MAIN(LABEL)	1			0	
020	7K522-12250	BUSH	2			0	35*31
030	75590-75270	LABEL IMPORTANT	1			0.015	
040	75595-75240	LABEL 2 WARNING	1			0.015	
050	7K522-11520	CUSHION	2			0	
060	02572-50120	NUT LOCK	2			0.030	
070	7K501-11510	MAT	2			0	

SWING FRAME

Figure Num 01B010



7K504-002-10

SWING FRAME

Ref	Part Number	Part Name	Qty	IC	S/N	Lbs	Remarks
010	7K504-12110	FRAME SWING	1			0	
020	7K522-12210	PIN	2			0	35*98
030	75599-81531	FITTING GREASE	2			0.015	1/8-27NPT
040	01173-51075	BOLT	2			0.103	
050	02574-50100	NUT LOCK	2			0.015	
060	7K522-12260	COLLAR	4			0	
070	7K504-14212	PIN 1 LOCK	1			0	

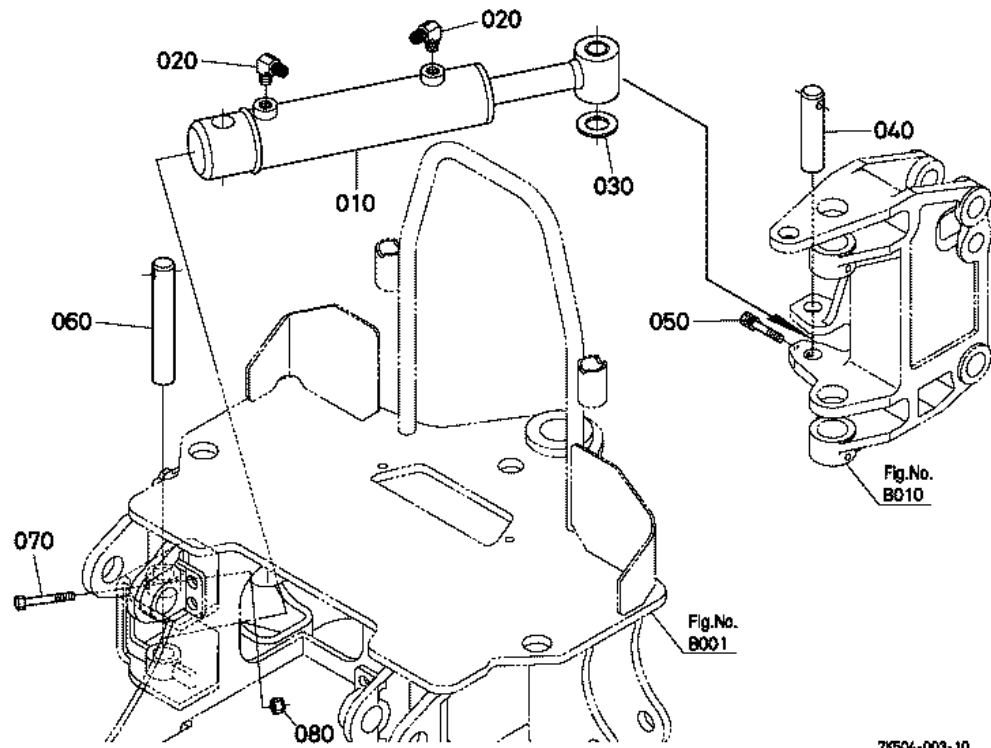
front attachments

Figure Num FRONT ATT



SWING CYLINDER

Figure Num 01B05000



7K504-003-10

SWING CYLINDER

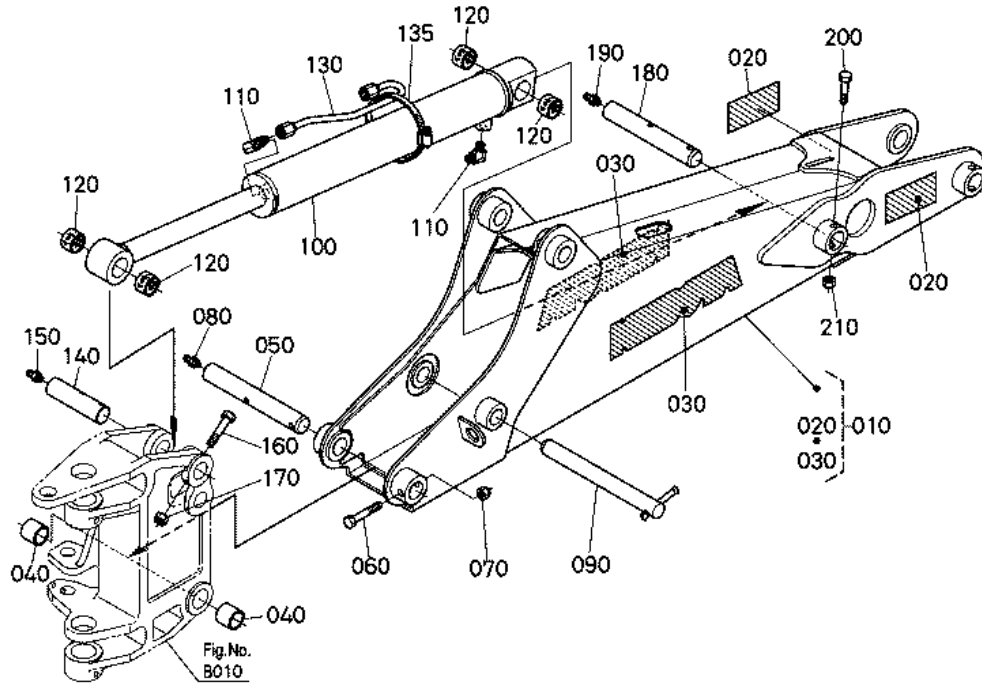
Ref	Part Number	Part Name	Qty	IC	S/N	Lbs	Remarks
010	7K504-13012	ASSY CYLINDER,SWING	1			0	
020	K6072-63660	ADAPTER	2			0.094	
030	75598-14162	COLLAR,THRUST	1	>>	>=A1802	0	
030	75598-14160	COLLAR,THRUST	1		<=A1801	0.079	
040	75598-14150	PIN	1			0.88	25*107
050	01023-50655	BOLT	1			0.026	
060	75598-14132	PIN	1			1.298	25*157

SWING CYLINDER

Ref	Part Number	Part Name	Qty	IC	S/N	Lbs	Remarks
070	01173-51055	BOLT	1			0.079	
080	02574-50100	NUT,LOCK	1			0.015	

BOOM

Figure Num 01B10000



7K504-004-10

BOOM

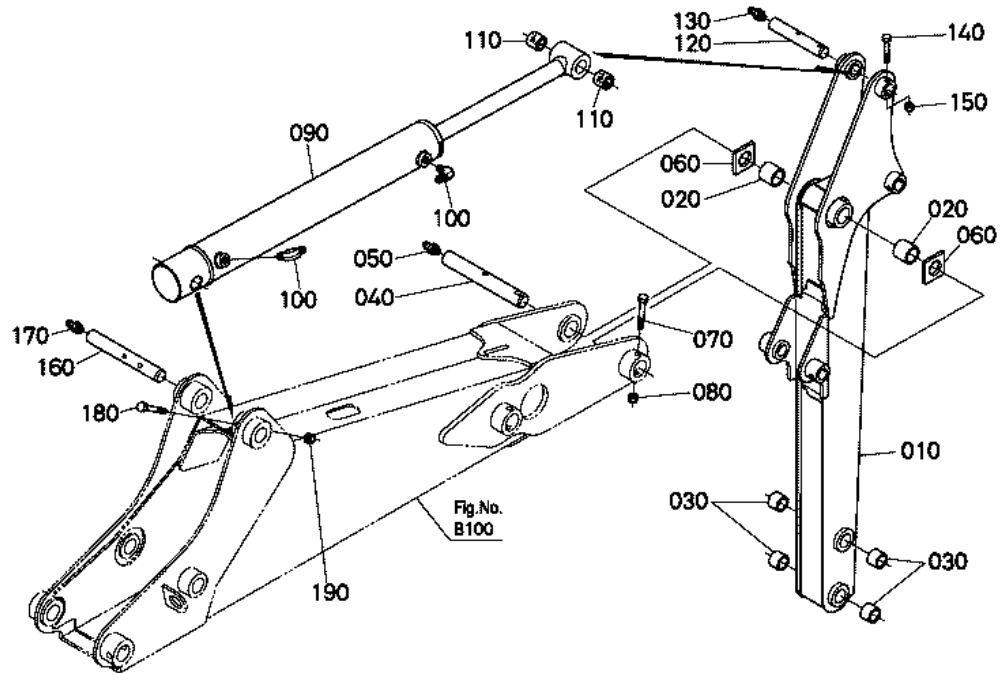
Ref	Part Number	Part Name	Qty	IC	S/N	Lbs	Remarks
010	7K504-90120	BOOM,COMP.LABEL	1			0	
020	75595-75170	LABEL 1,WARNING	2			0.008	
030	K2571-65120	LABEL,KUBOTA	2			0.011	
040	78620-21450	RING,INNER	2			0.143	30/35/30
050	75596-23150	PIN	1			2.266	1.18*7.96
060	01173-51065	BOLT	1			0.088	
070	02574-50100	NUT,LOCK	1			0.015	

BOOM

Ref	Part Number	Part Name	Qty	IC	S/N	Lbs	Remarks
080	75599-81521	FITTING,GREASE	1			0.006	1/4-28T.T.*.68
090	75595-14220	PIN 2,LOCK	1			2.332	
100	7K504-22010	CYLINDER,ASSY.BOOM	1			0	
110	K6072-63660	ADAPTER	2			0.094	
120	78620-22410	BUSH	4			0.055	
130	75596-52063	ASSY TUBE,HYDRAULIC	1	>>	>=A1752	0	
130	75596-52060	ASSY TUBE,HYDRAULIC	1		<=A1751	0.33	
135	75540-64940	CLAMP,HOSE	1			0.006	
140	75598-23112	PIN	1			1.32	30*116
150	75599-81521	FITTING,GREASE	1			0.006	1/4-28T.T.*.68
160	01173-51075	BOLT	1			0.103	
170	02574-50100	NUT,LOCK	1			0.015	
180	75596-23150	PIN	1			2.266	1.18*7.96
190	75599-81521	FITTING,GREASE	1			0.006	1/4-28T.T.*.68
200	01173-51065	BOLT	1			0.088	
210	02574-50100	NUT,LOCK	1			0.015	

DIPPERSTICK

Figure Num 01B110



7K504-005-10

DIPPERSTICK

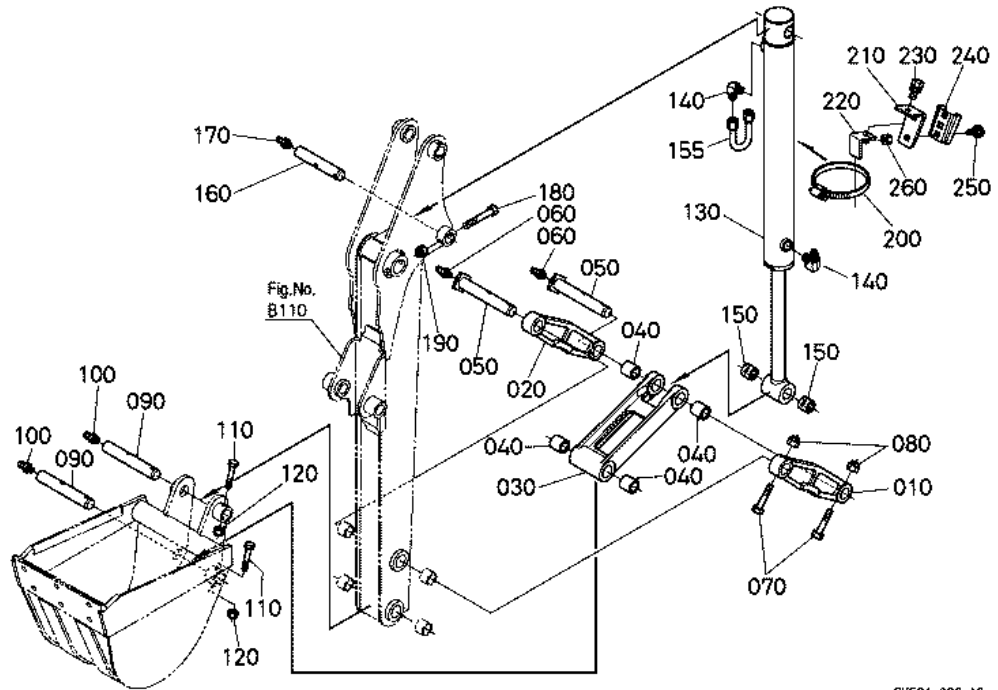
Ref	Part Number	Part Name	Qty	IC	S/N	Lbs	Remarks
010	7K504-31013	COMP.ARM DIPPER	1	>>	>=A0767	0	
010	7K504-31012	COMP.ARM DIPPER	1		<=A0766	0	
020	78620-21450	RING INNER	2			0.143	30/35/30
030	38280-25350	RING INNER	4			0.088	25/30/20
040	75596-23150	PIN	1			2.266	1.8*7.96
050	75599-81521	FITTING GREASE	1			0.006	1/4-28T.T*.68
060	78620-31550	SPACER	2			0.077	

DIPPERSTICK

Ref	Part Number	Part Name	Qty	IC	S/N	Lbs	Remarks
070	01173-51065	BOLT	1			0.088	
080	02574-50100	NUT LOCK	1			0.015	
090	7K504-32010	CYLINDER ASSY.DIPPER	1			0	
100	K6072-63660	ADAPTER	2			0.094	
110	66021-56130	BEARING DRY	2			0.037	
120	75598-33110	PIN	1			1.045	25*137
130	75599-81521	FITTING GREASE	1			0.006	1/4-28T.T.*.68
140	01053-50655	BOLT	1			0.028	
150	02552-50060	NUT LOCK	1			0.004	
160	75596-33150	PIN	1			1.518	0.98*7.71
170	75599-81521	FITTING GREASE	1			0.006	1/4-28T.T.*.68
180	01173-51065	BOLT	1			0.088	
190	02574-50100	NUT LOCK	1			0.015	

BUCKET LINK

Figure Num 01B12000



7K504-006-10

BUCKET LINK

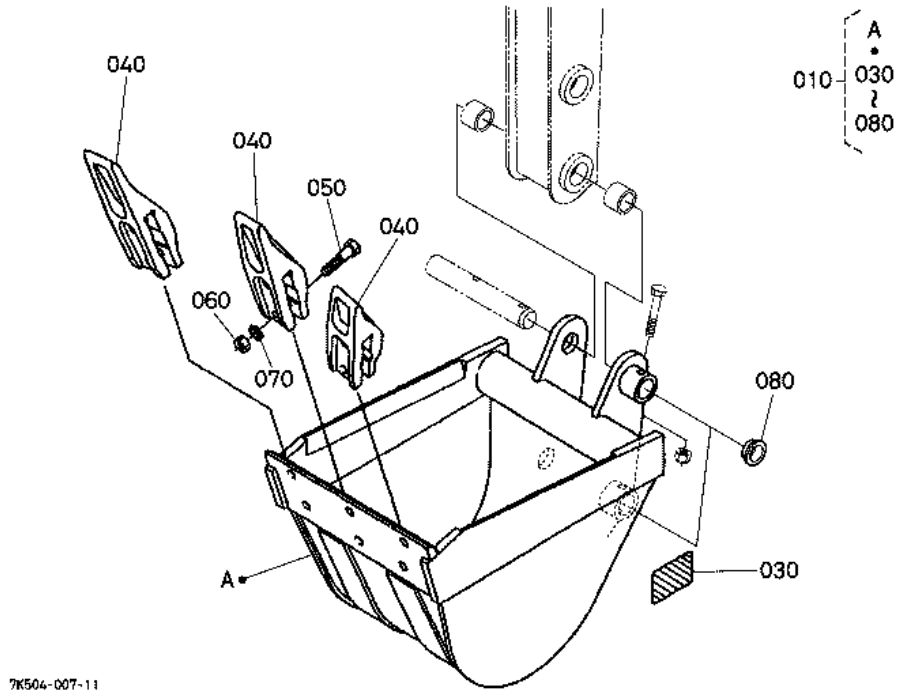
Ref	Part Number	Part Name	Qty	IC	S/N	Lbs	Remarks
010	7K523-41110	LINK,GUIDE 1	1			0	
020	7K523-41150	LINK,GUIDE 2	1			0	
030	7K523-41210	LINK,BUCKET	1			0	
040	38280-25350	RING,INNER	4			0.088	25/30/20
050	75596-42610	PIN	2			1.386	0.98*6.68
060	75599-81521	FITTING,GREASE	2			0.006	1/4-28T.T*.68
070	01173-51065	BOLT	2			0.088	

BUCKET LINK

Ref	Part Number	Part Name	Qty	IC	S/N	Lbs	Remarks
080	02574-50100	NUT,LOCK	2			0.015	
090	75596-42620	PIN	2			0.506	0.98*6.17
100	75599-81521	FITTING,GREASE	2			0.006	1/4-28T.T.*.68
110	01173-51065	BOLT	2			0.088	
120	02574-50100	NUT,LOCK	2			0.015	
130	7K504-43012	CYLINDER,ASSY.BUCKE.	1			0	
140	K6072-63660	ADAPTER	2			0.094	
150	66021-56130	BEARING,DRY	2			0.037	
155	7K522-43062	TUBE,ASSY.HYDRAULIC	1	>>	>=A1752	0	
155	7K522-43060	TUBE,ASSY.HYDRAULIC	1		<=A1751	0	
160	75598-33110	PIN	1			1.045	25*137
170	75599-81521	FITTING,GREASE	1			0.006	1/4-28T.T.*.68
180	01053-50655	BOLT	1			0.028	
190	02552-50060	NUT,LOCK	1			0.004	
200	75540-64940	CLAMP,HOSE	1			0.006	
210	75590-44210	CLAMP 1,SMV MARK	1		<=A1751	0.319	
210	75590-44212	CLAMP 1,SMV MARK	1	>>	>=A1752	0	
220	7K500-44220	CLAMP 2,SMV MARK	1		<=A1751	0.176	
220	7K500-44222	CLAMP 2,SMV MARK	1	>>	>=A1752	0	
230	01133-51020	BOLT	1			0.044	
240	7L500-89930	SOCKET-MTG,SMV	1			0.11	
250	7L500-89810	BOLT,SQUARE NECK	2			0.024	5/16*16
260	75599-31012	NUT	2			0.015	5/16-18UNC

BUCKET

Figure Num 01B150



BUCKET

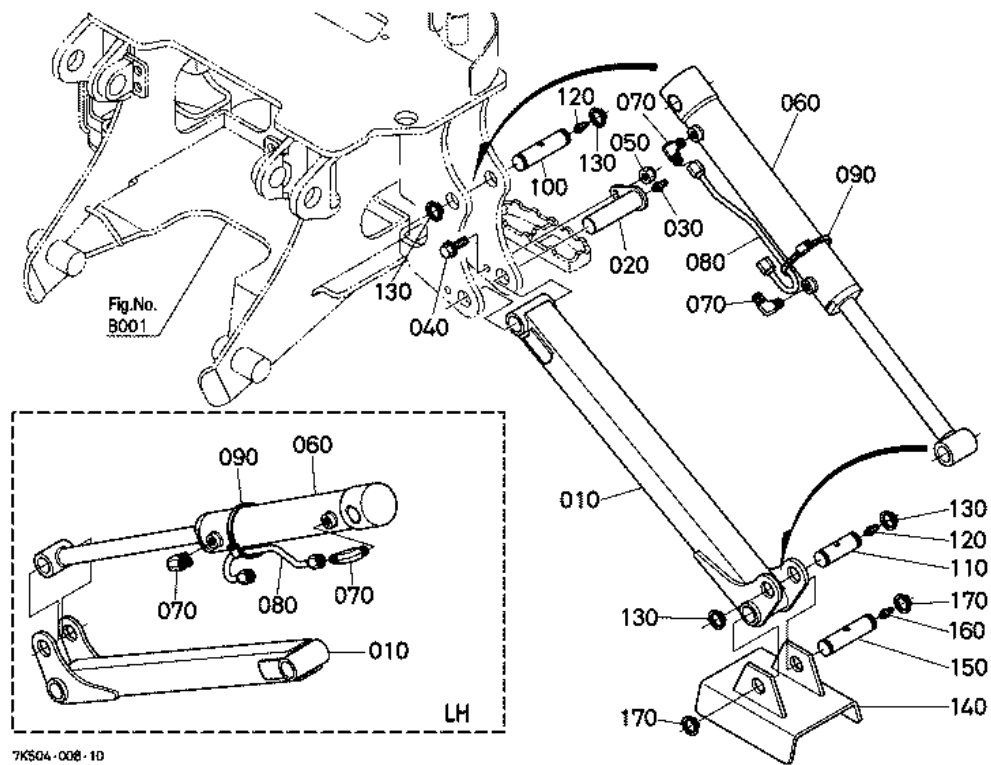
Ref	Part Number	Part Name	Qty	IC	S/N	Lbs	Remarks
010	75590-42301	ASSY BUCKET 16	1			0	
010	75590-42201	ASSY BUCKET 12	1			0	
010	75590-42101	ASSY BUCKET 10	1			0	
030	99999-99999	LABEL MODEL	1			0	
040	75590-42570	TOOTH BOLT ON	4			3.19	BUCKET 16
040	75590-42570	TOOTH BOLT ON	3			3.19	BUCKET 10/12
050	75599-04540	HEX.BOLT	8			0.140	BUCKET 16

BUCKET

Ref	Part Number	Part Name	Qty	IC	S/N	Lbs	Remarks
050	75599-04540	HEX.BOLT	6			0.140	BUCKET 10/12
060	75599-31025	HEX.NUT	8			0.033	BUCKET 16
060	75599-31025	HEX.NUT	6			0.033	BUCKET 10/12
070	75599-33015	WASHER SPRING LOCK	8			0.013	BUCKET 16
070	75599-33015	WASHER SPRING LOCK	6			0.013	BUCKET 10/12
080	75590-42580	CAP	8			0.004	249-1

STABILIZER ARM

Figure Num 01B16000



7K504-008-10

STABILIZER ARM

Ref	Part Number	Part Name	Qty	IC	S/N	Lbs	Remarks
010	7K504-51010	ARM,COMP.STABILIZER	2			0	
020	7K522-51210	PIN	2			0	25.4*105
030	75599-81521	FITTING,GREASE	2			0.006	1/4-28T.T*.68
040	01774-51030	BOLT,FLANGE	2			0.057	
050	02572-50100	NUT,LOCK	2			0.017	
060	7K504-52012	CYLINDER,ASSY.STABI.	2			0	
070	K6072-63660	ADAPTER	4			0.094	

STABILIZER ARM

Ref	Part Number	Part Name	Qty	IC	S/N	Lbs	Remarks
080	75596-52063	ASSY TUBE, HYDRAULIC	2	>>	>=A1752	0	
080	75596-52060	ASSY TUBE, HYDRAULIC	2		<=A1751	0.33	
090	75540-64940	CLAMP, HOSE	2			0.006	
100	7K522-53110	PIN	2			0	25.4*101
110	7K522-53150	PIN	2			0	25.4*75
120	75599-81521	FITTING, GREASE	4			0.006	1/4-28T.T.*.68
130	75599-41531	CIR-CLIP, EXTERNAL	8			0.008	
140	7K522-53300	PAD, STABILIZER	2			0	
150	7K522-53110	PIN	2			0	25.4*101
160	75599-81521	FITTING, GREASE	2			0.006	1/4-28T.T.*.68
170	75599-41531	CIR-CLIP, EXTERNAL	4			0.008	

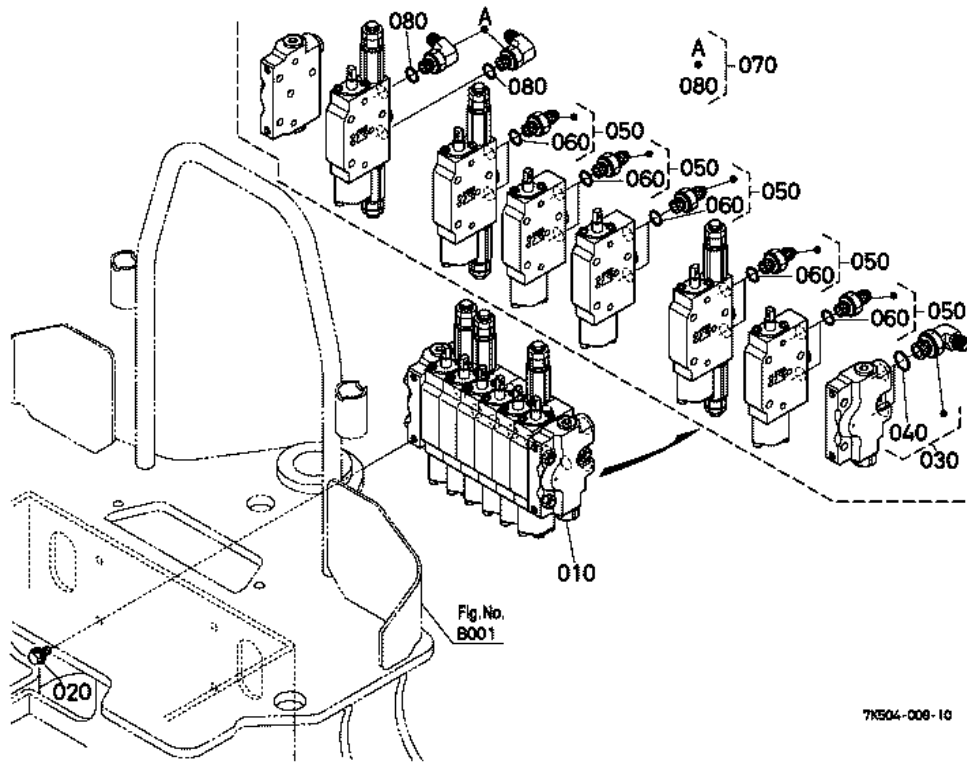
control valve

Figure Num CONTROL V



CONTROL VALVE

Figure Num 01B20000



CONTROL VALVE

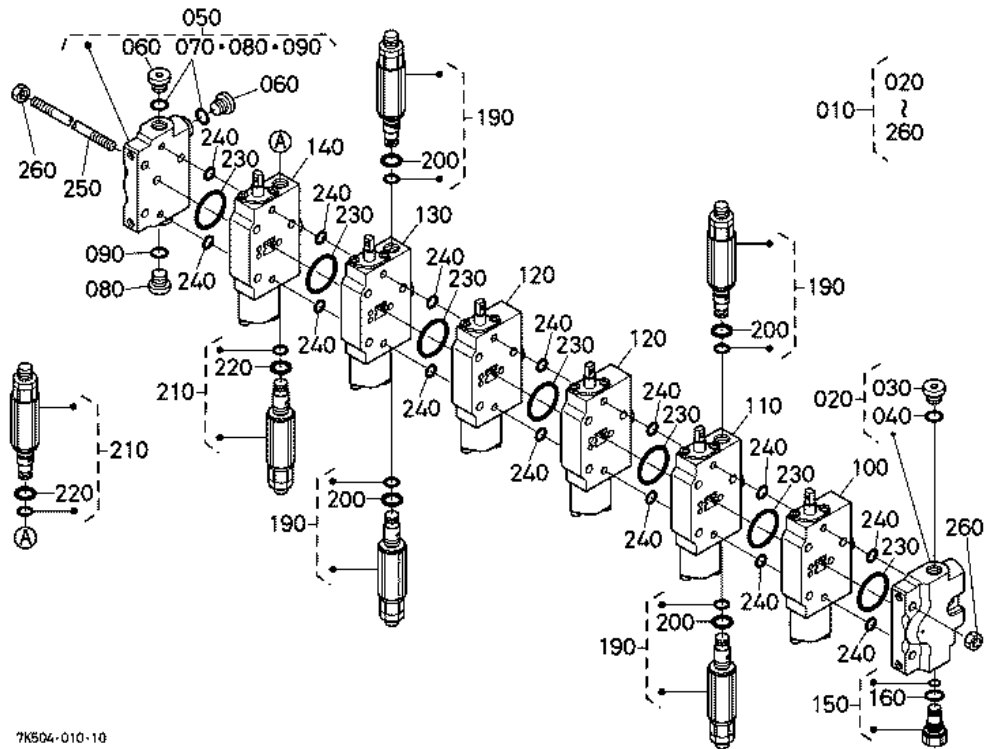
Ref	Part Number	Part Name	Qty	IC	S/N	Lbs	Remarks
010	7K504-63010	ASSY VALVE,CONTROL	1			18.06	
020	01754-50816	BOLT,FLANGE	4			0.024	
030	7K522-63850	ELBOW	2			0	
040	04817-00140	O RING	2			0.002	
050	7K522-63802	JOINT,PIPE	10	>>	>=A1752	0	
050	7K522-63800	JOINT,PIPE	10		<=A1751	0	
060	04817-00110	O RING	10			0.002	

CONTROL VALVE

Ref	Part Number	Part Name	Qty	IC	S/N	Lbs	Remarks
070	7K522-63950	ELBOW	2			0	
080	04817-00110	O RING	2			0.002	

CONTROL VALVE [COMPONENT PARTS]

Figure Num 01B210



CONTROL VALVE [COMPONENT PARTS]

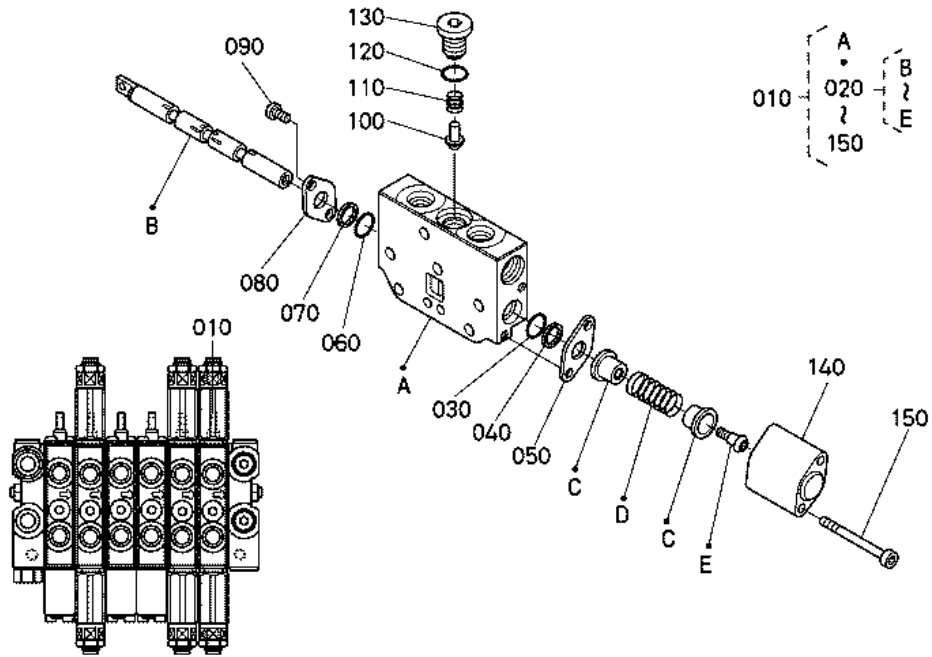
Ref	Part Number	Part Name	Qty	IC	S/N	Lbs	Remarks
010	7K504-63010	ASSY VALVE CONTROL	1			18.06	
020	RA121-70510	ASSY VALVE SUPPLY	1			1.496	
030	RA011-70690	PLUG	1			0.033	
040	04817-00110	O RING	1			0.002	
050	7K504-63200	VALVE ASSY.INLET	1			1.65	
060	RA011-70690	PLUG	3			0.033	
070	04817-00110	O RING	3			0.002	

CONTROL VALVE [COMPONENT PARTS]

Ref	Part Number	Part Name	Qty	IC	S/N	Lbs	Remarks
080	RA011-70700	PLUG	1			0.046	
090	04817-00140	O RING	1			0.002	
100	RA011-70580	ASSY VALVE BUCKET	1			2.068	
110	7K504-63300	VALVE ASSY.DIPPER	1			2.09	
120	RA011-70580	ASSY VALVE BUCKET	2			2.068	
130	7K504-63500	VALVE ASSY.BOOM	1			2.09	
140	75598-63600	ASSY VALVE SWING	1			1.98	
150	75598-63110	ASSY PLUG	2			0.149	
160	04817-00140	O RING	2			0.002	
190	7K504-63752	ASSY VALVE RELIEF 3	4			0.345	
200	04817-00140	O RING	4			0.002	
210	7K504-63730	ASSY VALVE RELIEF 2	2			0.341	
220	04817-00140	O RING	2			0.002	
230	RA011-70650	O RING	7			0.004	
240	04817-00100	O RING	14			0.002	
250	75598-63030	BOLT	3			0.132	
260	RA011-70670	NUT	6			0.013	

SWING SPOOL SECTION [COMPONENT PARTS]

Figure Num 01B212



7K504-011-10

SWING SPOOL SECTION [COMPONENT PARTS]

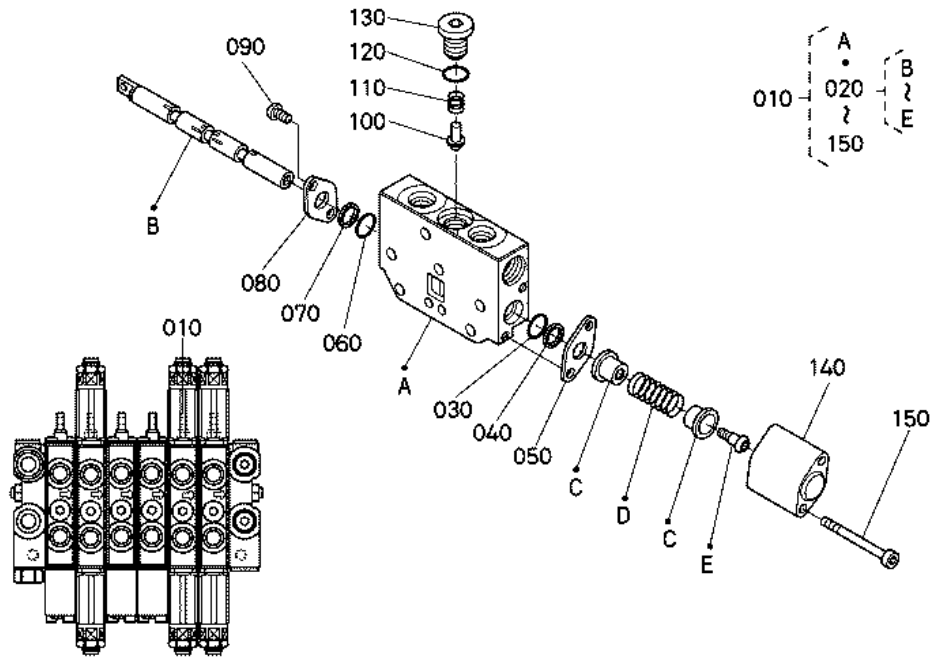
Ref	Part Number	Part Name	Qty	IC	S/N	Lbs	Remarks
010	75598-63600	ASSY VALVE SWING	1			1.98	
020	75598-63650	ASSY SPOOL SWING	1			0.22	
030	04816-06100	O RING	1			0.002	
040	RA011-70740	RING BACK UP	1			0.004	
050	RA011-70750	RETAINER O RING	1			0.013	
060	04816-06100	O RING	1			0.002	
070	RA011-70740	RING BACK UP	1			0.004	

SWING SPOOL SECTION [COMPONENT PARTS]

Ref	Part Number	Part Name	Qty	IC	S/N	Lbs	Remarks
080	RA011-70750	RETAINER O RING	1			0.013	
090	03054-50510	SCREW PAN-HEAD	2			0.006	
100	RA011-70790	VALVE	1			0.006	
110	RA011-70800	SPRING VALVE	1			0.002	
120	04817-00110	O RING	1			0.002	
130	RA011-70810	PLUG VALVE	1			0.033	
140	RA011-70820	CAP SPRING	1			0.072	
150	RA011-70830	BOLT	2			0.019	

BOOM SPOOL SECTION [COMPONENT PARTS]

Figure Num 01B213



7K504-012-10

BOOM SPOOL SECTION [COMPONENT PARTS]

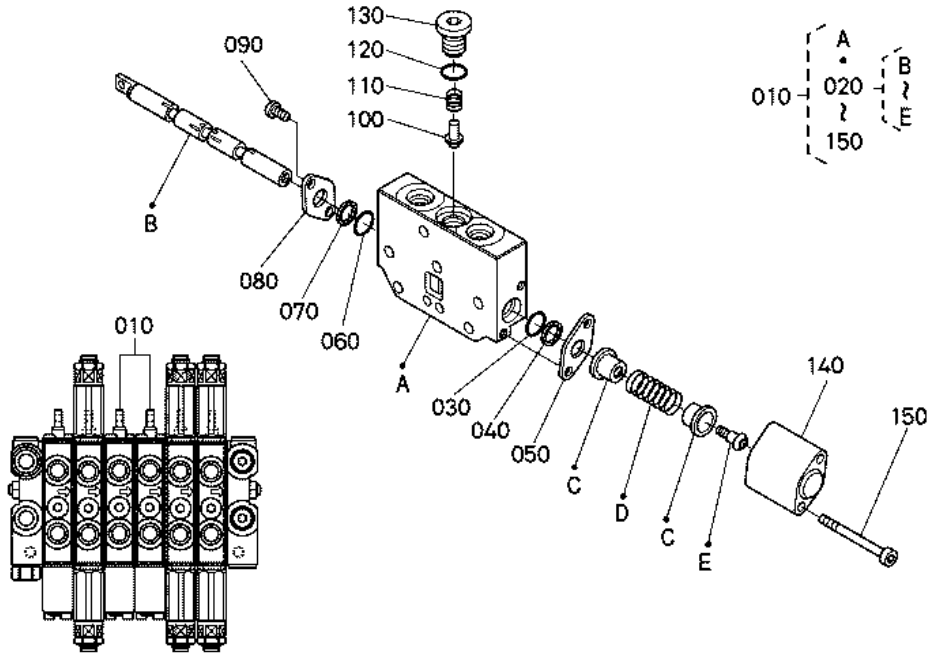
Ref	Part Number	Part Name	Qty	IC	S/N	Lbs	Remarks
010	7K504-63500	VALVE ASSY.BOOM	1			2.09	
020	75598-63350	SPOOL ASSY.DIPPER	1			0.22	
030	04816-06100	O RING	1			0.002	
040	RA011-70740	RING BACK UP	1			0.004	
050	RA011-70750	RETAINER O RING	1			0.013	
060	04816-06100	O RING	1			0.002	
070	RA011-70740	RING BACK UP	1			0.004	

BOOM SPOOL SECTION [COMPONENT PARTS]

Ref	Part Number	Part Name	Qty	IC	S/N	Lbs	Remarks
080	RA011-70750	RETAINER O RING	1			0.013	
090	03054-50510	SCREW PAN-HEAD	2			0.006	
100	RA011-70790	VALVE	1			0.006	
110	RA011-70800	SPRING VALVE	1			0.002	
120	04817-00110	O RING	1			0.002	
130	RA011-70810	PLUG VALVE	1			0.033	
140	RA011-70820	CAP SPRING	1			0.072	
150	RA011-70830	BOLT	2			0.019	

STABILIZER SPOOL SECTION [COMPONENT PARTS]

Figure Num 01B215



7K504-013-10

STABILIZER SPOOL SECTION [COMPONENT PARTS]

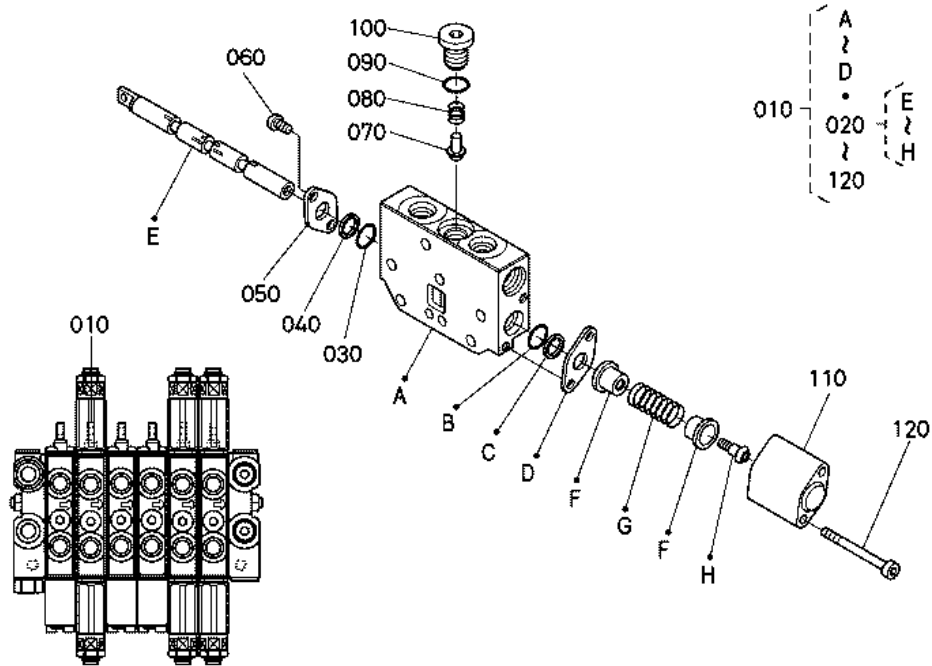
Ref	Part Number	Part Name	Qty	IC	S/N	Lbs	Remarks
010	RA011-70580	ASSY VALVE BUCKET	2			2.068	
020	RA011-70990	ASSY SPOOL BUCKET	2			0.22	
030	04816-06100	O RING	2			0.002	
040	RA011-70740	RING BACK UP	2			0.004	
050	RA011-70750	RETAINER O RING	2			0.013	
060	04816-06100	O RING	2			0.002	
070	RA011-70740	RING BACK UP	2			0.004	

STABILIZER SPOOL SECTION [COMPONENT PARTS]

Ref	Part Number	Part Name	Qty	IC	S/N	Lbs	Remarks
080	RA011-70750	RETAINER O RING	2			0.013	
090	03054-50510	SCREW PAN-HEAD	4			0.006	
100	RA011-70790	VALVE	2			0.006	
110	RA011-70800	SPRING VALVE	2			0.002	
120	04817-00110	O RING	2			0.002	
130	RA011-70810	PLUG VALVE	2			0.033	
140	RA011-70820	CAP SPRING	2			0.072	
150	RA011-70830	BOLT	4			0.019	

DIPPERSTICK SPOOL SECTION [COMPONENT PARTS]

Figure Num 01B216



7K504-014-10

DIPPERSTICK SPOOL SECTION [COMPONENT PARTS]

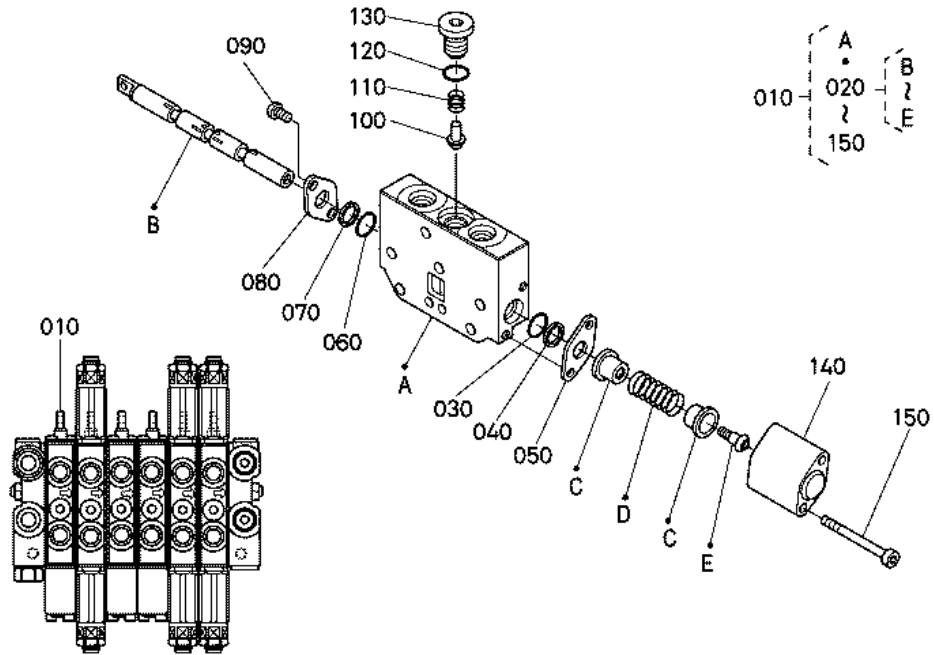
Ref	Part Number	Part Name	Qty	IC	S/N	Lbs	Remarks
010	7K504-63300	VALVE ASSY.DIPPER	1			2.09	
020	7K522-63350	SPOOL ASSY.DIPPER	1			0.209	
030	04816-06100	O RING	1			0.002	
040	RA011-70740	RING BACK UP	1			0.004	
050	RA011-70750	RETAINER O RING	1			0.013	
060	03054-50510	SCREW PAN-HEAD	2			0.006	
070	RA011-70790	VALVE	1			0.006	

DIPPERSTICK SPOOL SECTION [COMPONENT PARTS]

Ref	Part Number	Part Name	Qty	IC	S/N	Lbs	Remarks
080	RA011-70800	SPRING VALVE	1			0.002	
090	04817-00110	O RING	1			0.002	
100	RA011-70810	PLUG VALVE	1			0.033	
110	RA011-70820	CAP SPRING	1			0.072	
120	RA011-70830	BOLT	2			0.019	

BUCKET SPOOL SECTION [COMPONENT PARTS]

Figure Num 01B217



7KS04-015-10

BUCKET SPOOL SECTION [COMPONENT PARTS]

Ref	Part Number	Part Name	Qty	IC	S/N	Lbs	Remarks
010	RA011-70580	ASSY VALVE BUCKET	1			2.068	
020	RA011-70990	ASSY SPOOL BUCKET	1			0.22	
030	04816-06100	O RING	1			0.002	
040	RA011-70740	RING BACK UP	1			0.004	
050	RA011-70750	RETAINER O RING	1			0.013	
060	04816-06100	O RING	1			0.002	
070	RA011-70740	RING BACK UP	1			0.004	

BUCKET SPOOL SECTION [COMPONENT PARTS]

Ref	Part Number	Part Name	Qty	IC	S/N	Lbs	Remarks
080	RA011-70750	RETAINER O RING	1			0.013	
090	03054-50510	SCREW PAN-HEAD	2			0.006	
100	RA011-70790	VALVE	1			0.006	
110	RA011-70800	SPRING VALVE	1			0.002	
120	04817-00110	O RING	1			0.002	
130	RA011-70810	PLUG VALVE	1			0.033	
140	RA011-70820	CAP SPRING	1			0.072	
150	RA011-70830	BOLT	2			0.019	

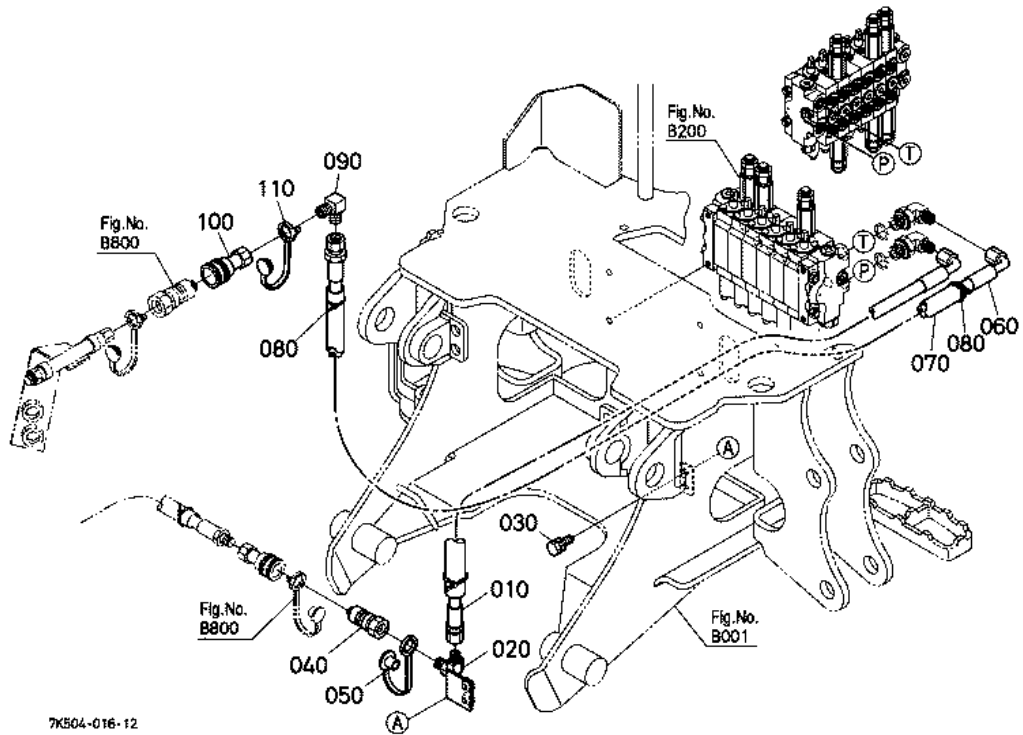
hydraulic system

Figure Num HYDRAULIC



HYDRAULIC HOSE(INTAKE)

Figure Num 01B220



HYDRAULIC HOSE(INTAKE)

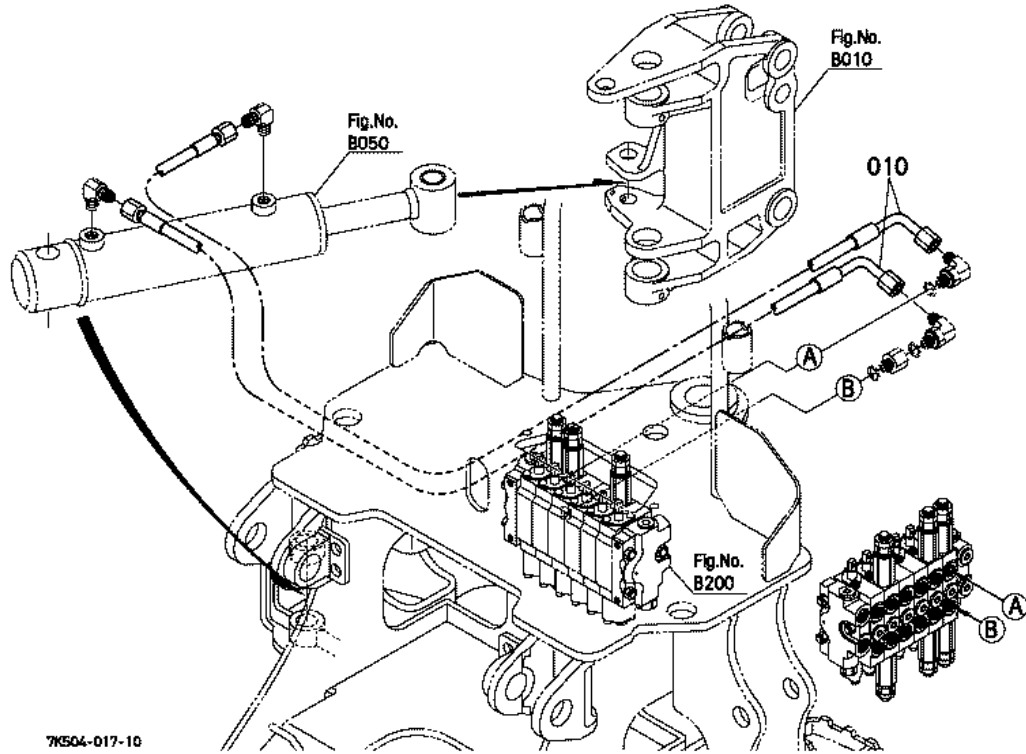
Ref	Part Number	Part Name	Qty	IC	S/N	Lbs	Remarks
010	7K504-64110	HOSE 1 HYDRAULIC	1			0	
020	7K504-64180	ADAPTER	1			0	
030	01123-50820	BOLT	2			0.024	
040	7J612-66220	NIPPLE	1			0	1/4(72N4-4F)
050	75536-66430	CAP DUST(72PDC-4)	1			0.030	72PDC-4
060	7K504-64150	HOSE 2 HYDRAULIC	1			0	
070	7J417-93290	SLEEVE	1			0	PSB17(960)

HYDRAULIC HOSE(INTAKE)

Ref	Part Number	Part Name	Qty	IC	S/N	Lbs	Remarks
080	53581-64150	BAND CORD	2			0.004	
090	K6072-63660	ADAPTER	1			0.094	
100	7J612-66320	COUPLER	1			0	1/4(72C4-4F)
110	75536-66330	PLUG DUST(72PDP-4)	1			0.024	72PDP-4

HYDRAULIC HOSE(SWING)

Figure Num 01B230

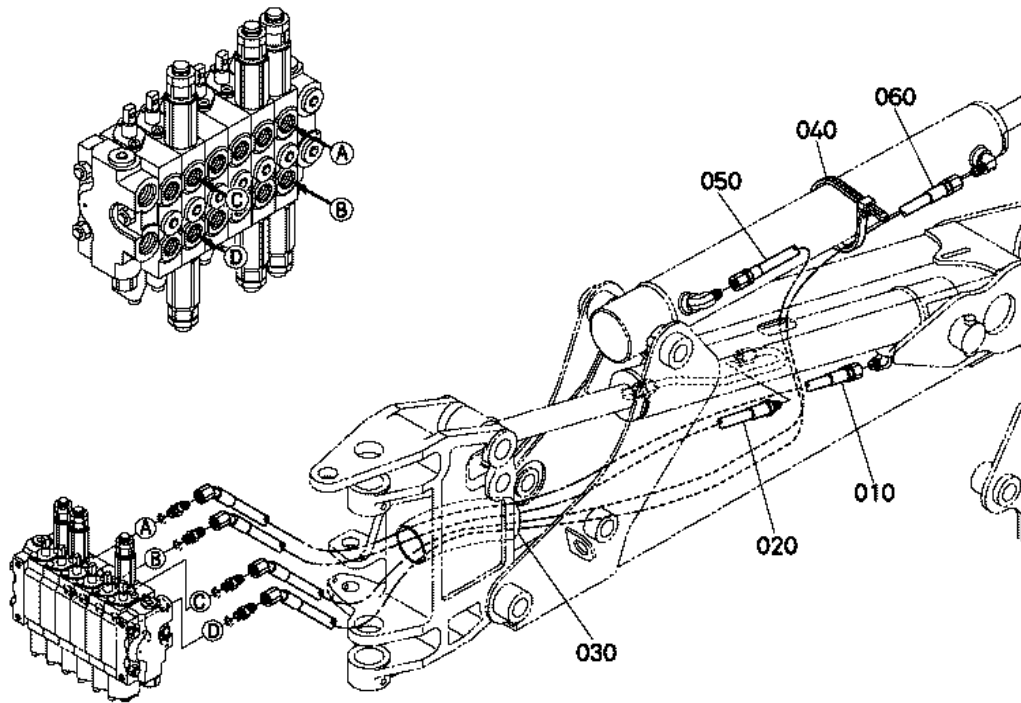


HYDRAULIC HOSE(SWING)

Ref	Part Number	Part Name	Qty	IC	S/N	Lbs	Remarks
010	7K522-64230	HOSE 3 HYDRAULIC	2			0	

HYDRAULIC HOSE(BOOM/DIPPER)

Figure Num 01B240



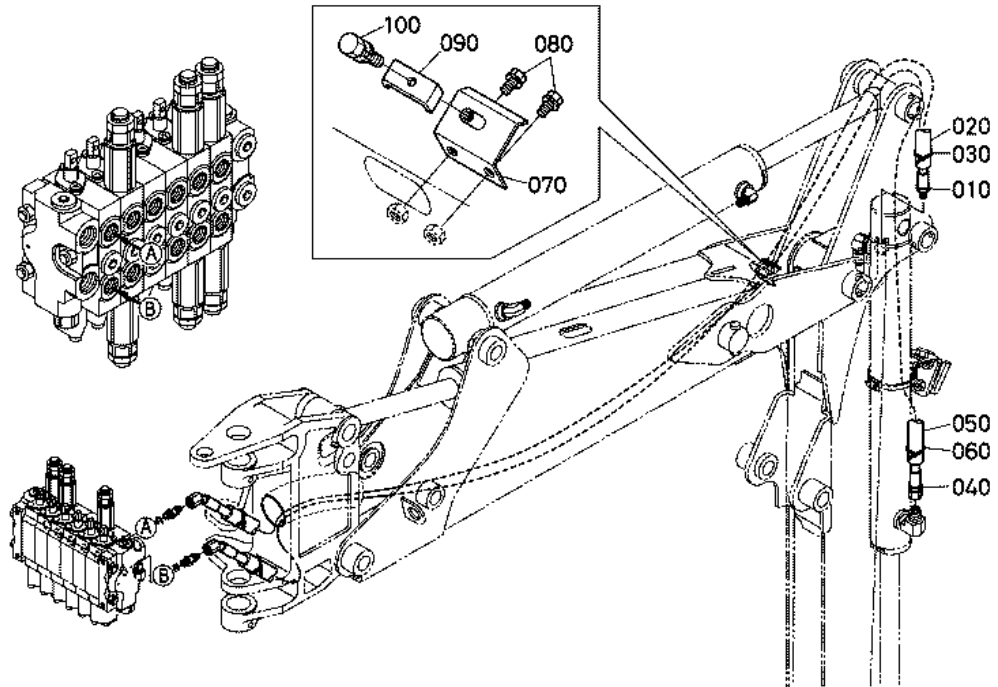
7K504-018-10

HYDRAULIC HOSE(BOOM/DIPPER)

Ref	Part Number	Part Name	Qty	IC	S/N	Lbs	Remarks
010	7K504-64310	HOSE 6 HYDRAULIC	1			0	
020	7K504-64320	HOSE 7 HYDRAULIC	1			0	
030	7J240-66140	SLEEVE	1			0.154	18.0
040	75546-66920	BAND CODE	1			0.019	14.5
050	7K504-64310	HOSE 6 HYDRAULIC	1			0	
060	7K504-64430	HOSE 9 HYDRAULIC	1			0	

HYDRAULIC HOSE(BUCKET)

Figure Num 01B250



7K504-019-10

HYDRAULIC HOSE(BUCKET)

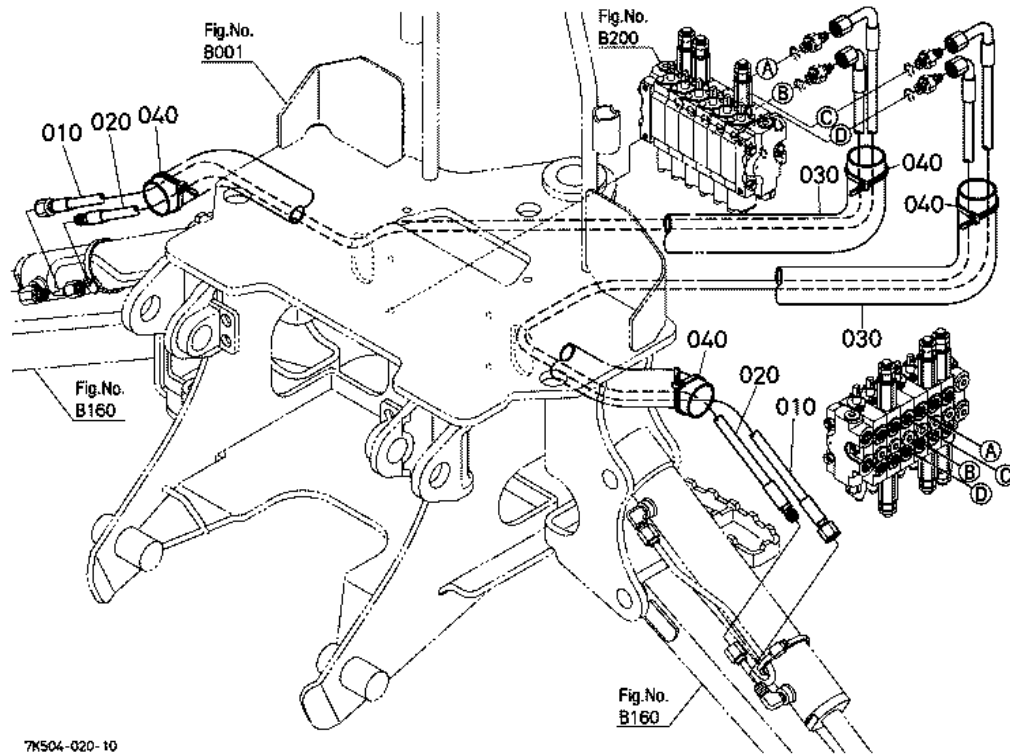
Ref	Part Number	Part Name	Qty	IC	S/N	Lbs	Remarks
010	7K504-64510	HOSE 10 HYDRAULIC	1			0	
020	75596-64120	SLEEVE 1	1			0.11	
030	53581-64150	BAND CORD	2			0.004	
040	7K504-64520	HOSE 11 HYDRAULIC	1			0	
050	7J417-93290	SLEEVE	1			0	PSB17(960)
060	53581-64150	BAND CORD	2			0.004	
070	7K504-64720	STAY HOSE 1	1			0	

HYDRAULIC HOSE(BUCKET)

Ref	Part Number	Part Name	Qty	IC	S/N	Lbs	Remarks
080	01123-60816	BOLT	2			0.022	
090	7J417-84362	STAY TUBE	1			0	
100	01123-60816	BOLT	1			0.022	

HYDRAULIC HOSE(STABILIZER)

Figure Num 01B260



HYDRAULIC HOSE(STABILIZER)

Ref	Part Number	Part Name	Qty	IC	S/N	Lbs	Remarks
010	7K522-64610	HOSE 13 HYDRAULIC	2			0	
020	7K522-64630	HOSE 14 HYDRAULIC	2			0	
030	75567-76320	SLEEVE P.B.	2			0.107	
040	53581-64150	BAND CORD	4			0.004	

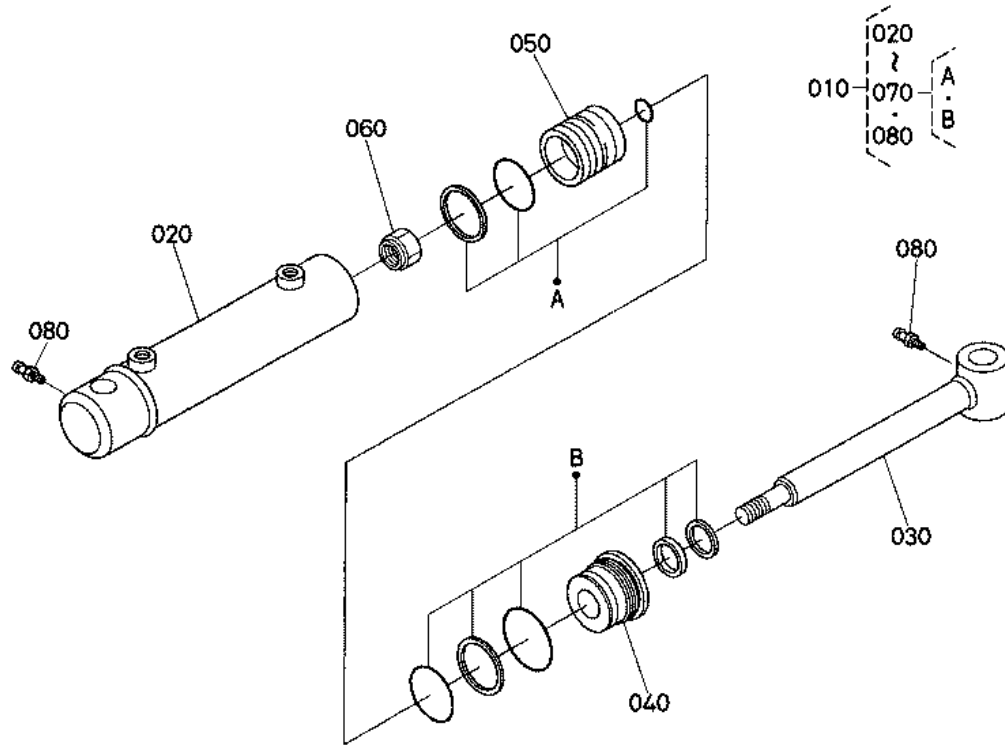
hydraulic cylinder

Figure Num HYDRAULIC



CYLINDER(SWING) [COMPONENT PARTS]

Figure Num 01B310



7K504-021-10

CYLINDER(SWING) [COMPONENT PARTS]

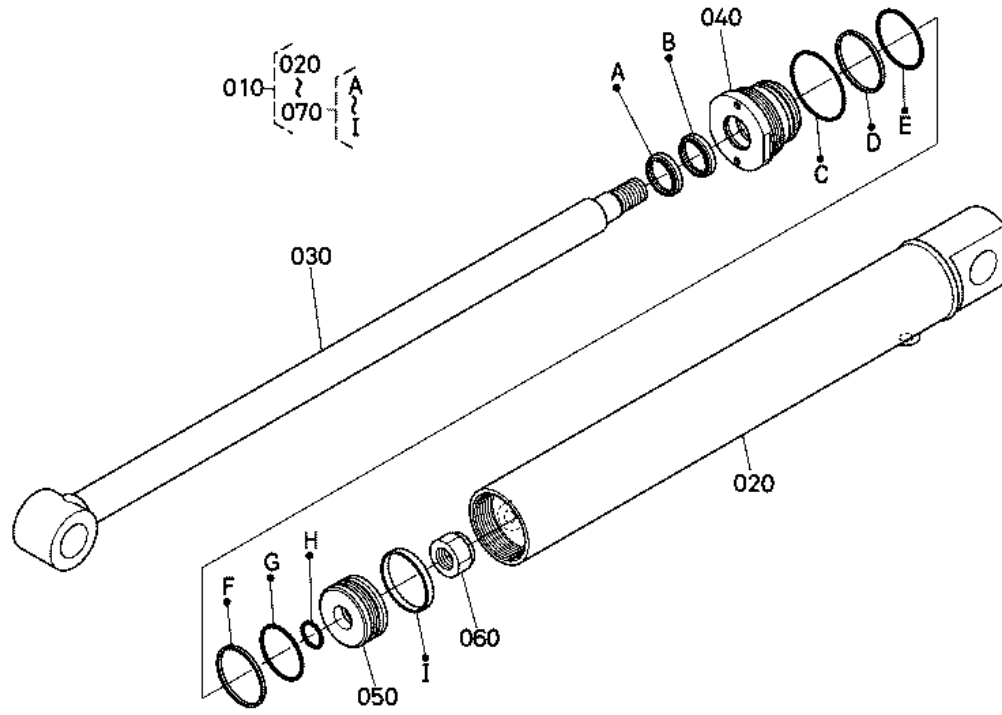
Ref	Part Number	Part Name	Qty	IC	S/N	Lbs	Remarks
010	7K504-13012	ASSY CYLINDER SWING	1			0	
020	7K504-13030	TUBE COMP.SWING	1			0	
030	7K504-13050	ROD COMP.SWING	1			0	
040	7K504-13110	HEAD	1			0	60*30
050	7K504-13210	PISTON CUSHION	1			0	
060	7K501-32250	NUT	1			0	22*1.5
070	7K504-13300	KIT SEAL	1			0	60*30

CYLINDER(SWING) [COMPONENT PARTS]

Ref	Part Number	Part Name	Qty	IC	S/N	Lbs	Remarks
080	76539-12100	NIPPLE GREASE	2			0.011	M8*1.25

CYLINDER(BOOM) [COMPONENT PARTS]

Figure Num 01B320



7K504-022-10

CYLINDER(BOOM) [COMPONENT PARTS]

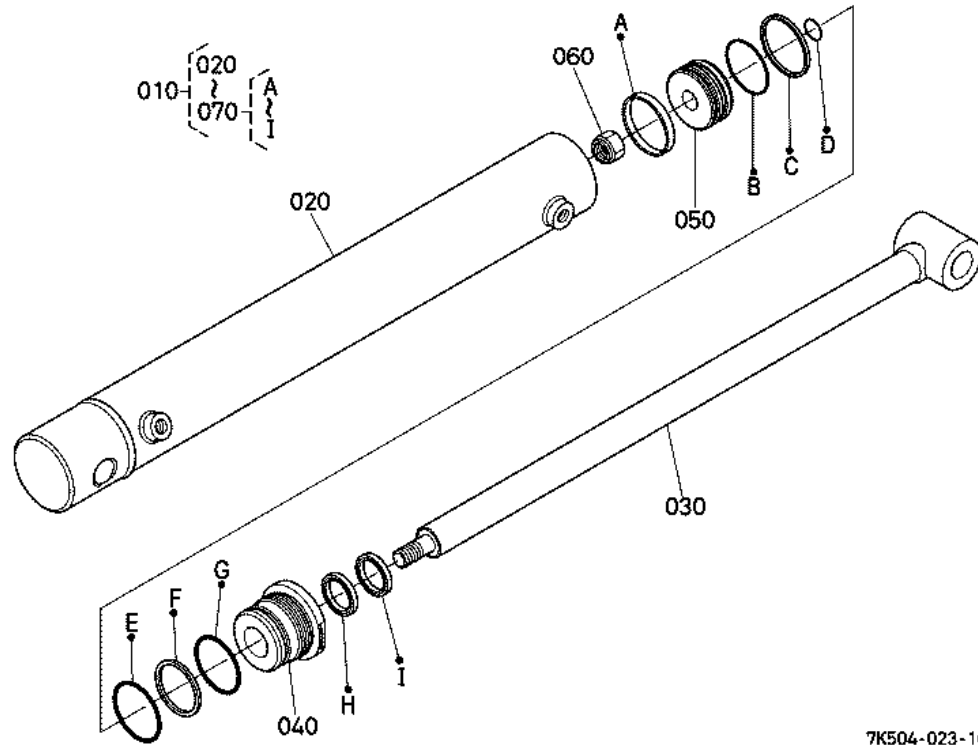
Ref	Part Number	Part Name	Qty	IC	S/N	Lbs	Remarks
010	7K504-22010	CYLINDER ASSY.BOOM	1			0	
020	7K504-22030	TUBE COMP.BOOM	1			0	
030	7K504-22050	ROD COMP.BOOM	1			0	
040	7K504-22110	HEAD	1			0	60*30
050	7K504-22210	PISTON	1			0	60*30
060	75598-13322	NUT	1	=	>=A0871	0.127	
060	7K504-22250	NUT	1		<=A0870	0	M22*1.5

CYLINDER(BOOM) [COMPONENT PARTS]

Ref	Part Number	Part Name	Qty	IC	S/N	Lbs	Remarks
070	7K504-22300	KIT SEAL	1			0	60*30

CYLINDER(DIPPER) [COMPONENT PARTS]

Figure Num 01B330



7K504-023-10

CYLINDER(DIPPER) [COMPONENT PARTS]

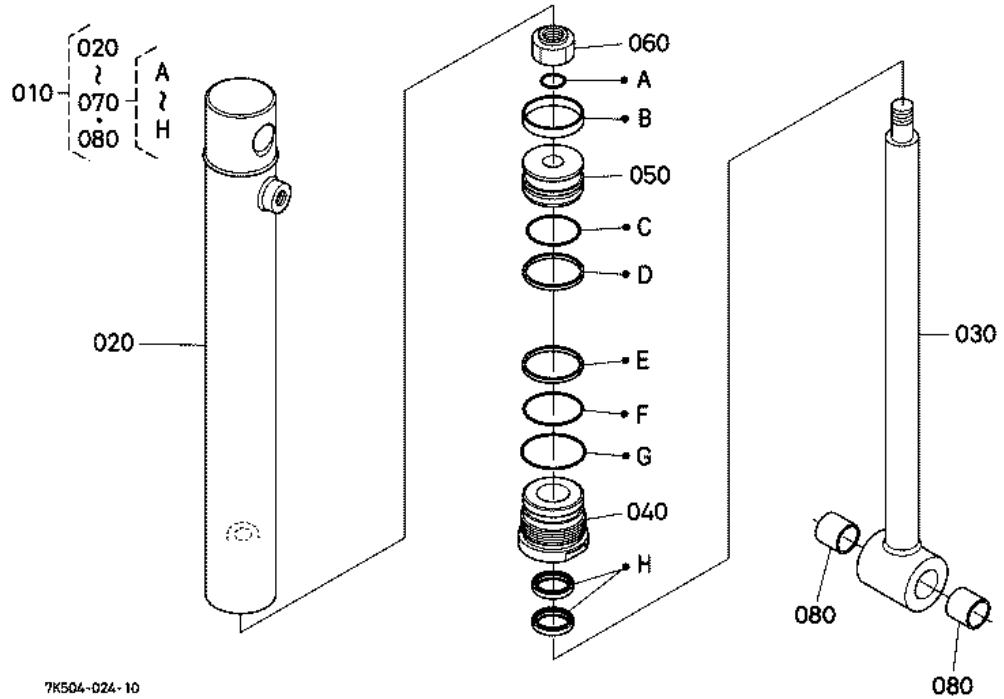
Ref	Part Number	Part Name	Qty	IC	S/N	Lbs	Remarks
010	7K504-32010	CYLINDER ASSY.DIPPER	1			0	
020	7K504-32030	TUBE COMP.DIPPER	1			0	
030	7K504-32050	ROD COMP.DIPPER	1			0	
040	7K504-22110	HEAD	1			0	60*30
050	7K504-22210	PISTON	1			0	60*30
060	75598-13322	NUT	1	=	>=A0871	0.127	
060	7K504-22250	NUT	1		<=A0870	0	M22*1.5

CYLINDER(DIPPER) [COMPONENT PARTS]

Ref	Part Number	Part Name	Qty	IC	S/N	Lbs	Remarks
070	7K504-22300	KIT SEAL	1			0	60*30

CYLINDER(BUCKET) [COMPONENT PARTS]

Figure Num 01B34000



7K504-024-10

CYLINDER(BUCKET) [COMPONENT PARTS]

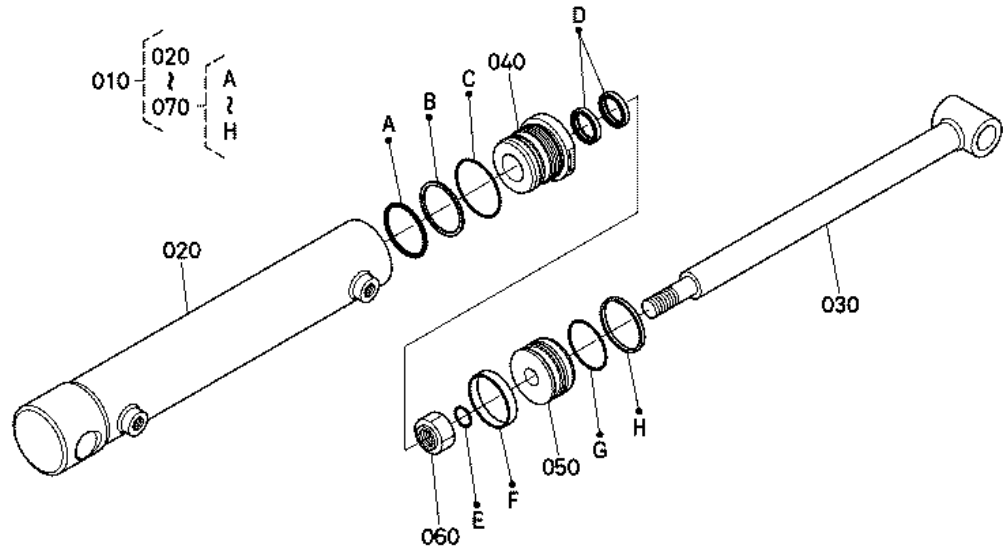
Ref	Part Number	Part Name	Qty	IC	S/N	Lbs	Remarks
010	7K504-43012	CYLINDER,ASSY.BUCKE.	1			0	
020	7K504-43030	TUBE,COMP.BUCKET	1			0	
030	7K504-43050	ROD,COMP.BUCKET	1			0	
040	7K504-43110	HEAD	1			0	50*25
050	7K504-43210	PISTON	1			0	50*25
060	7K501-32250	NUT	1			0	M22*1.5
070	7J274-63400	KIT 1,SEAL	1	=	>=A1752	0	

CYLINDER(BUCKET) [COMPONENT PARTS]

Ref	Part Number	Part Name	Qty	IC	S/N	Lbs	Remarks
070	7K504-43300	SEAL KIT	1		<=A1751	0	50*25
080	66021-56130	BEARING,DRY	2			0.037	

CYLINDER(STABILIZER) [COMPONENT PARTS]

Figure Num 01B350



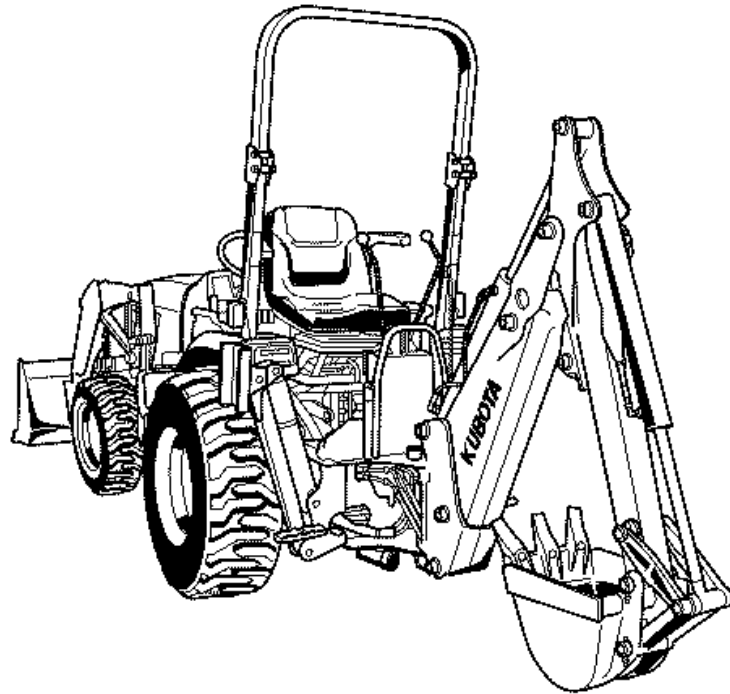
7K522-021-10

CYLINDER(STABILIZER) [COMPONENT PARTS]

Ref	Part Number	Part Name	Qty	IC	S/N	Lbs	Remarks
010	7K504-52012	CYLINDER ASSY.STABI.	2			0	
020	7K504-52030	TUBE COMP.STABILIZER	2			0	
030	7K504-52050	ROD COMP.STABI.	2			0	
040	7K522-32110	HEAD	2			0	60*25
050	7K522-32210	PISTON	2			0	60*25
060	7J053-63360	NUT	2			0	M18*1.5
070	7K522-32300	SEAL KIT	2			0	60*25

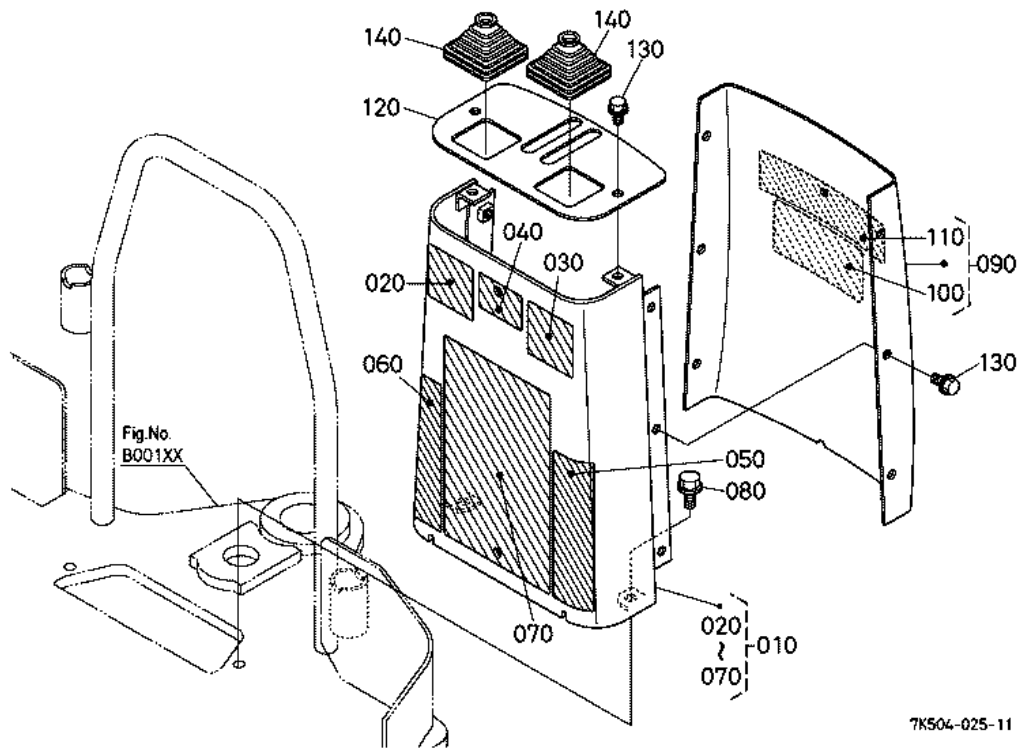
operator's platform

Figure Num OPERATOR'



COVER

Figure Num 01B40100



COVER

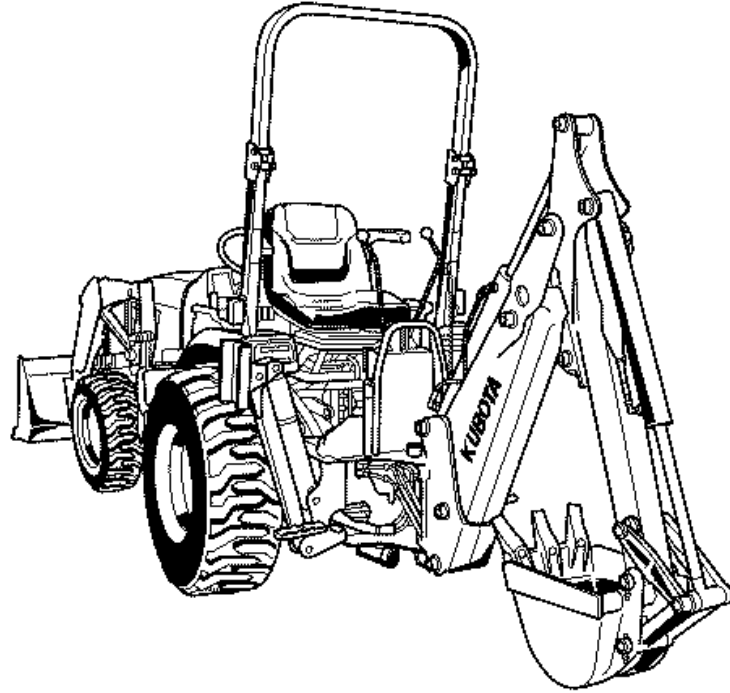
Ref	Part Number	Part Name	Qty	IC	S/N	Lbs	Remarks
010	7K504-90132	COVER,VALVE LABEL	1	NI	>=A2352	0	
010	7K504-90130	COVER,VALVE 1 LABEL	1		<=A2351	0	
020	75598-75112	LABEL1,CONTROL LEVE.	1			0.002	
030	75598-75122	LABEL2,CONTROL LEVE.	1			0.002	
040	75598-75132	LABEL3,CONTROL LEVE.	1			0.002	
050	75597-75280	LABEL 3,WARNING	1			0.006	
060	7K501-75290	LABEL 4,WARNING	1			0	

COVER

Ref	Part Number	Part Name	Qty	IC	S/N	Lbs	Remarks
070	7K500-75150	LABEL,INSTRUCTION	1			0.052	
080	01774-61020	BOLT,FLANGE	2			0.048	
090	7K504-90140	COVER,VALVE 2 LABEL	1		<=A2351	0	
090	7K504-90142	COVER,VALVE LABEL	1	NI	>=A2352	0	
100	75597-75173	LABEL,DANGER	1			0.013	
110	7K504-75140	LABEL,BH65	1			0	
120	7K522-61030	PLATE,COVER	1			0	
130	30400-18870	BOLT,FLANGE	8			0.022	
140	7K522-61250	BOOT,CONTROL LEVER	2			0	

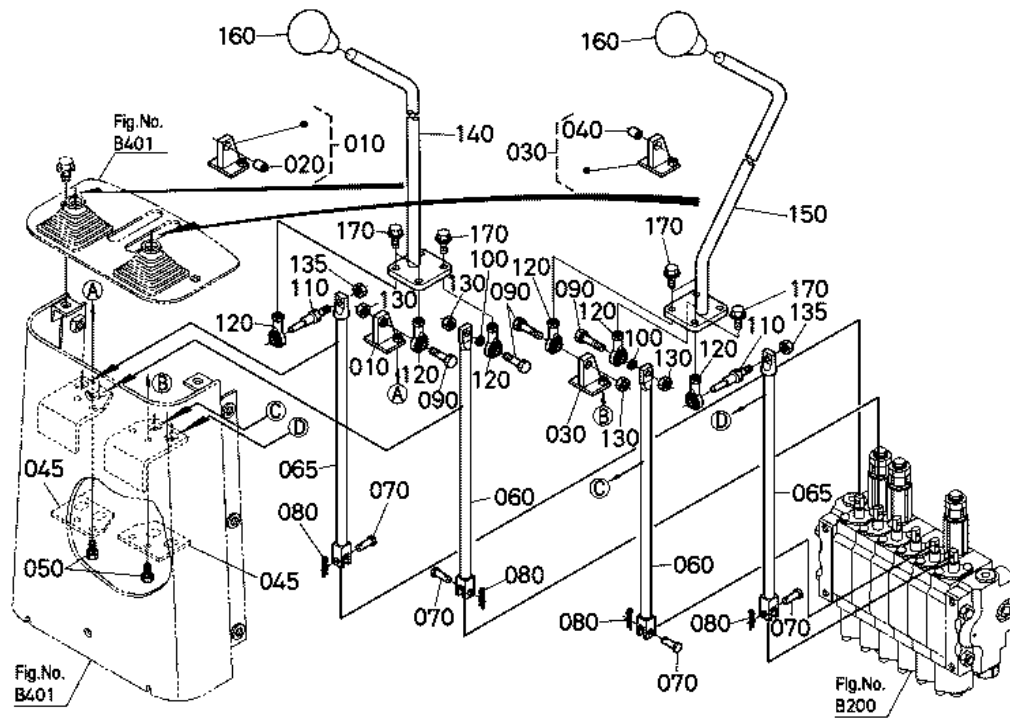
control lever

Figure Num CONTROL L



CONTROL LEVER 1

Figure Num 01B51000



CONTROL LEVER 1

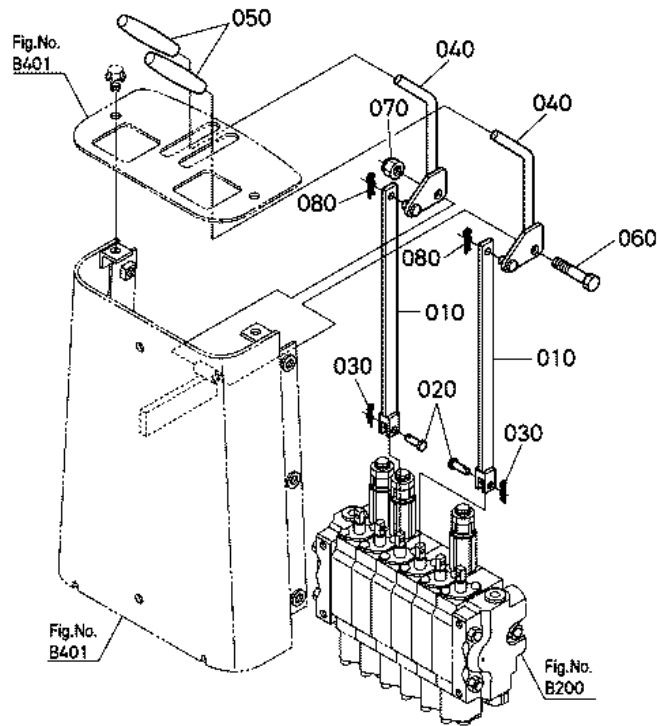
Ref	Part Number	Part Name	Qty	IC	S/N	Lbs	Remarks
010	7K501-71110	ASSY BRACKET,LEVER .	1			0.099	
020	08511-00608	BUSH	1			0.006	
030	7K501-71120	ASSY BRACKET,LEVER .	1			0.099	
040	08511-00608	BUSH	1			0.006	
045	7K522-71172	PLATE,GUIDE	2			0	
050	7K501-71580	BOLT	4			0.008	M5*20
060	7K522-71160	ROD,LINK	2			0.341	

CONTROL LEVER 1

Ref	Part Number	Part Name	Qty	IC	S/N	Lbs	Remarks
065	7K522-71152	ROD, LINK 2	2			0.374	
070	RA011-65190	PIN, JOINT	4			0.006	
080	05525-60500	PIN, SNAP	4	=	>=A0871	0.002	
080	RA011-65170	PIN, SNAP	4		<=A0870	0.002	
090	7K500-71510	BOLT 1, FULCRUM	4			0.017	
100	7K500-71523	SPACER	2	>>	>=A1752	0	
100	7K500-71522	SPACER	2		<=A1751	0.002	
110	7K522-71530	BOLT 2, FULCRUM	2			0.044	
120	36730-81960	END, ROD 1	6			0.055	
130	02014-50060	NUT	4			0.004	
135	02156-50080	NUT	2		<=A1751	0.008	
135	02114-50080	NUT	2	NI	>=A1752	0.011	
140	7K522-72113	LEVER, CONTROL L	1			0	
150	7K522-72132	LEVER, CONTROL R	1			0	
160	31355-82520	GRIP, LEVER	2			0.11	
170	7K500-72160	BOLT	6			0.011	M6*16

CONTROL LEVER 2

Figure Num 01B520



7K504-030-10

CONTROL LEVER 2

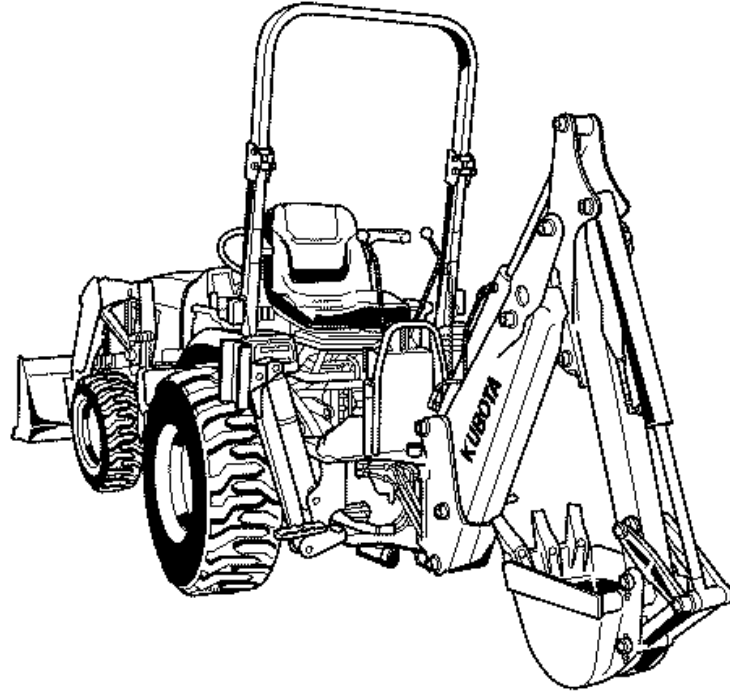
Ref	Part Number	Part Name	Qty	IC	S/N	Lbs	Remarks
010	7K522-72260	ROD STABILIZER	2			0.176	
020	RA011-65190	PIN JOINT	2			0.006	
030	05525-60500	PIN SNAP	2	=	>=A0871	0.002	
030	RA011-65170	PIN SNAP	2		<=A0870	0.002	
040	7K504-72210	LEVER CONTROL	2			0	
050	31391-18560	GRIP LEVER	2			0.022	
060	01153-50840	BOLT	1			0.039	

CONTROL LEVER 2

Ref	Part Number	Part Name	Qty	IC	S/N	Lbs	Remarks
070	02552-50080	NUT LOCK	1			0.011	
080	05525-60600	PIN SNAP	2			0.002	

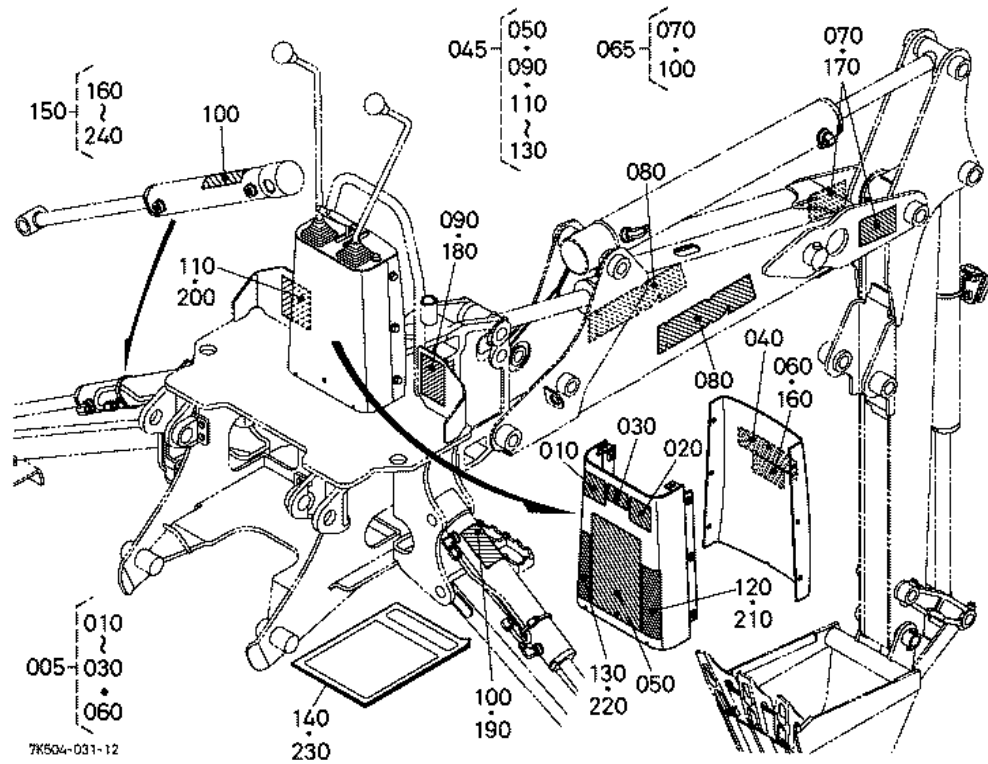
labels

Figure Num LABELS



LABEL

Figure Num 01B71000



LABEL

Ref	Part Number	Part Name	Qty	IC	S/N	Lbs	Remarks
005	7K524-75100	LABEL,SET 1	1		>=A1304	0	
010	75598-75112	LABEL1,CONTROL LEVE.	1			0.002	
020	75598-75122	LABEL2,CONTROL LEVE.	1			0.002	
030	75598-75132	LABEL3,CONTROL LEVE.	1			0.002	
040	7K504-75140	LABEL,BH65	1			0	
045	7K504-75202	LABEL,SET.BH	1			0	
050	7K500-75150	LABEL,INSTRUCTION	1			0.052	

LABEL

Ref	Part Number	Part Name	Qty	IC	S/N	Lbs	Remarks
060	75597-75173	LABEL,DANGER	1			0.013	ENGLISH
065	7K524-75300	LABEL,SET 2	1			0	
070	75595-75170	LABEL 1,WARNING	2			0.008	ENGLISH
080	K2571-65120	LABEL,KUBOTA	2			0.011	
090	75595-75240	LABEL 2,WARNING	1			0.015	ENGLISH
100	75590-75260	LABEL,SWING	2			0.006	ENGLISH
110	75590-75270	LABEL 2,CAUTION	1			0.015	ENGLISH
120	75597-75280	LABEL 3,WARNING	1			0.006	ENGLISH
130	7K501-75290	LABEL 4,WARNING	1			0	ENGLISH
140	7K504-79910	OPERATOR'S MANUAL	1		<=A0766	0	ENGLISH
140	7K504-79912	OPERATOR'S MANUAL	1	>>	>=A0767	0	ENGLISH
150	7K504-95100	FRENCH,KIT.BH65	1		<=A0123	0	FRENCH
150	7K504-95102	FRENCH KIT,BH	1	>>	>=A0124	0	FRENCH
160	75597-95172	LABEL,DANGER(F)	1			0.002	FRENCH
170	75595-95170	LABEL 1,WARNING CF	2			0.015	FRENCH
180	75595-95240	LABEL 2,WARNING CF	1			0	FRENCH
190	75590-95260	LABEL,SWING	2			0.002	FRENCH
200	75595-95270	LABEL 2,CAUTION CF	1			0.002	FRENCH
210	75597-95280	LABEL 3,WARNING (F)	1			0.44	FRENCH
220	7K501-95290	LABEL 4,WARNING CF	1			0	FRENCH
230	7K504-95910	OPERATOR'S MANUAL(F.	1		<=A0436	0	FRENCH
230	7K504-95912	OPERATOR'S MANUAL(F.	1	>>	>=A0437	0	FRENCH
240	7K504-95340	LABEL,IMPORTANT CF	1		>=A0124	0	FRENCH

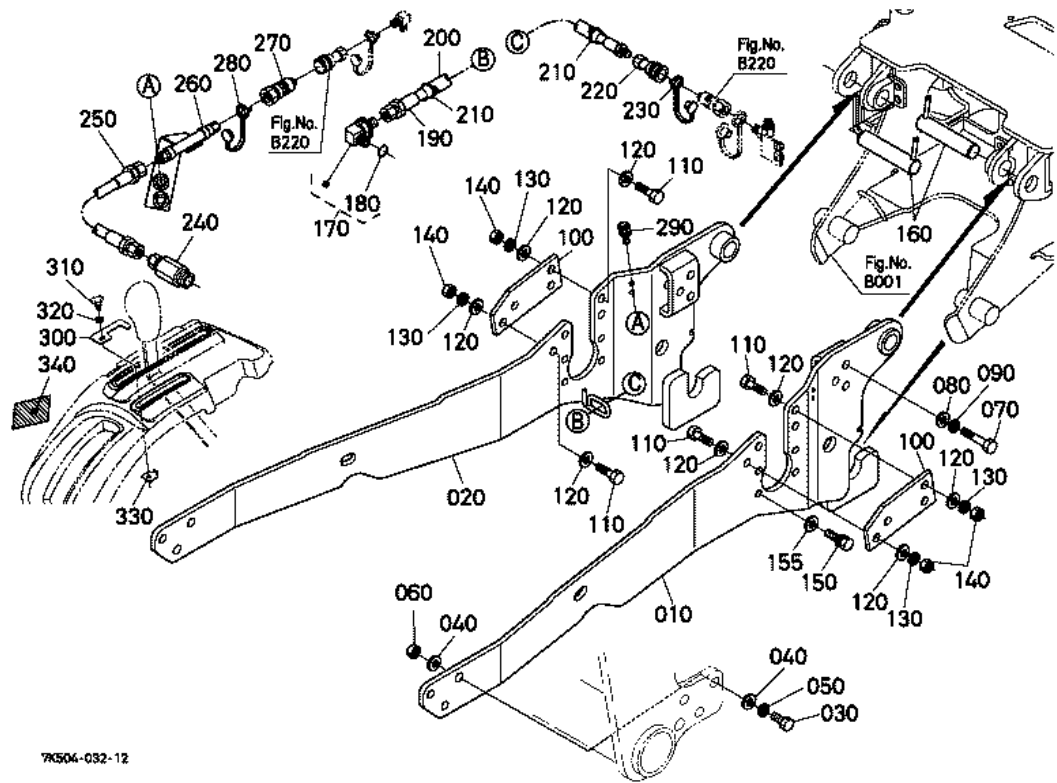
option

Figure Num OPTION



MOUNT KIT [OPTION]

Figure Num 01B80000



7K504-032-12

MOUNT KIT [OPTION]

Ref	Part Number	Part Name	Qty	IC	S/N	Lbs	Remarks
010	7K504-16700	SUB FRAME,L	1			0	
020	7K504-16804	SUB FRAME,R	1			0	
030	01073-51655	BOLT	6			0.264	
040	75599-32517	WASHER,PLAIN	12			0.035	5/8HD
050	04512-60160	WASHER,SPRING	6			0.022	
060	02076-50160	NUT	6			0.066	
070	01073-51685	BOLT	6			0.319	

MOUNT KIT [OPTION]

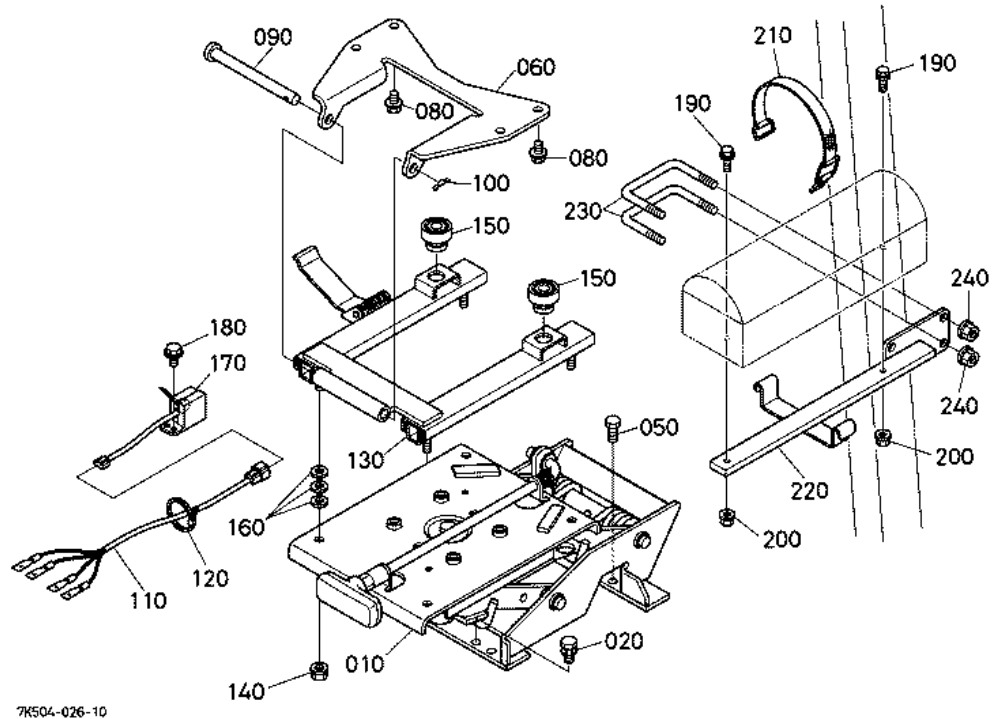
Ref	Part Number	Part Name	Qty	IC	S/N	Lbs	Remarks
080	75599-32517	WASHER,PLAIN	6			0.035	5/8HD
090	04512-60160	WASHER,SPRING	6			0.022	
100	7K504-16740	PLATE,CONNECTING	2			0	
110	01073-51650	BOLT	8			0.231	
120	75599-32517	WASHER,PLAIN	16			0.035	5/8HD
130	04512-60160	WASHER,SPRING	8			0.022	
140	02076-50160	NUT	8			0.066	
150	01123-51235	BOLT	8			0.090	
155	75599-32515	WASHER,PLAIN	8			0.022	
160	7K522-16570	PIN,MOUNT	2			0	
170	75540-61900	ASSY ELBOW,ADJUSTAB.	1			0.242	
180	75540-61820	O-RING	1			0.002	
190	7K504-64812	HOSE,INLET	1			0	
200	7J417-93290	SLEEVE,PSB17(960)	1			0	PSB17(960)
210	53581-64150	BAND,CORD	2			0.004	
220	7J612-66320	COUPLER	1			0	1/4(72C4-4F)
230	75536-66330	PLUG,DUST(72PDP-4)	1			0.024	72PDP-4
240	7K504-64860	ADAPTER	1			0	
250	7K504-64820	HOSE,OUTLET	1			0	
260	7K504-64850	JOINT,COUPLER 3	1			0	
270	7J612-66220	NIPPLE	1			0	1/4(72N4-4F)
280	75536-66430	CAP,DUST(72PDC-4)	1			0.030	72PDC-4
290	01123-50825	BOLT	2			0.028	
300	7K504-61420	STOPPER	1			0	
310	01820-50630	BOLT,KNOB	1			0.035	
320	04512-60060	WASHER,SPRING	1			0.002	

MOUNT KIT [OPTION]

Ref	Part Number	Part Name	Qty	IC	S/N	Lbs	Remarks
330	32771-36140	STOPPER 2	1			0.022	
340	7K504-75340	LABEL,IMPORTANT	1			0	

SEAT SUPPORT [OPTION]

Figure Num 01B801



SEAT SUPPORT [OPTION]

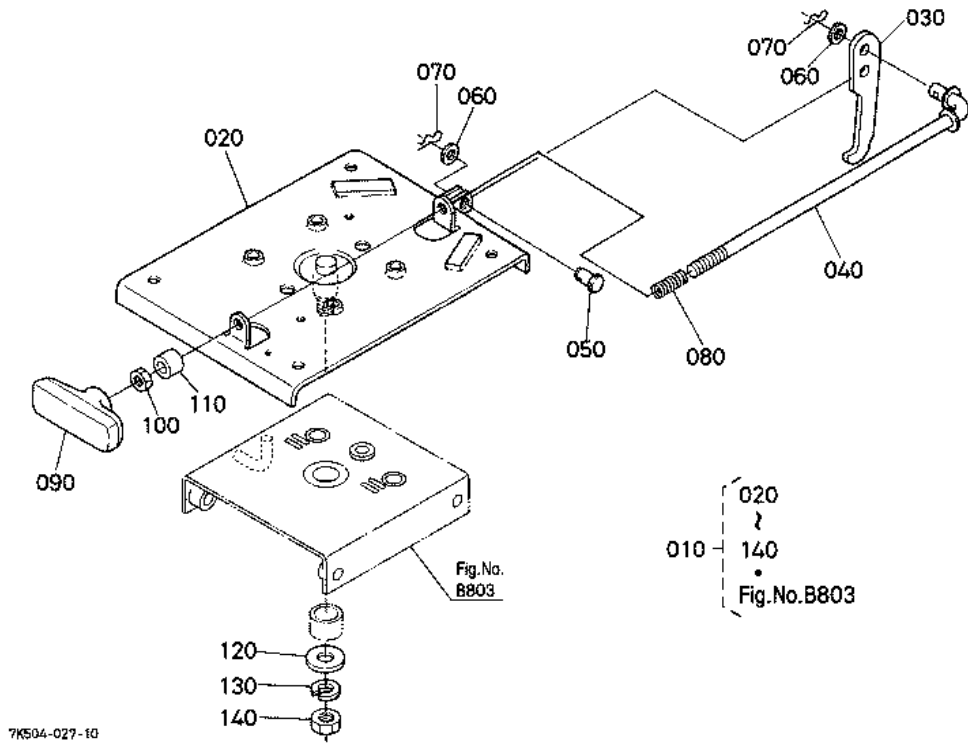
Ref	Part Number	Part Name	Qty	IC	S/N	Lbs	Remarks
010	7K504-66103	SUPPORT SEAT	1			23.1	
020	01133-51020	BOLT	2			0.044	
050	01123-51025	BOLT	2			0.044	
060	7K504-66590	STAY SEAT	1			0	
080	01123-50820	BOLT	4			0.024	
090	32430-11853	PIN JOINT	1			0.176	
100	05525-61000	PIN SNAP	1			0.004	

SEAT SUPPORT [OPTION]

Ref	Part Number	Part Name	Qty	IC	S/N	Lbs	Remarks
110	7K504-66572	WIRE HARNESS	1			0.044	
120	75590-64650	BAND CODE	1			0.022	
130	7K504-66170	COMP.ADJUSTER SEAT	1			4.994	
140	02771-60100	NUT FLANGE	4			0.022	
150	32160-18440	CUSHION	2			0.028	
160	04011-50100	WASHER PLAIN	12			0.004	
170	TD060-47902	SWITCH SEAT	1			0.066	
180	01025-50616	BOLT	1			0.011	
190	01025-50625	BOLT	2			0.022	
200	02751-50060	NUT FLANGE	2			0.011	
210	59900-21480	BAND	1			0.154	
220	7K504-66580	STAY TOOL BOX	1			0	
230	7K504-66600	U-BOLT	2			0	
240	02771-60100	NUT FLANGE	4			0.022	

SEAT SUPPORT (COMPONENT PARTS 1) [OPTION]

Figure Num 01B80200



SEAT SUPPORT (COMPONENT PARTS 1) [OPTION]

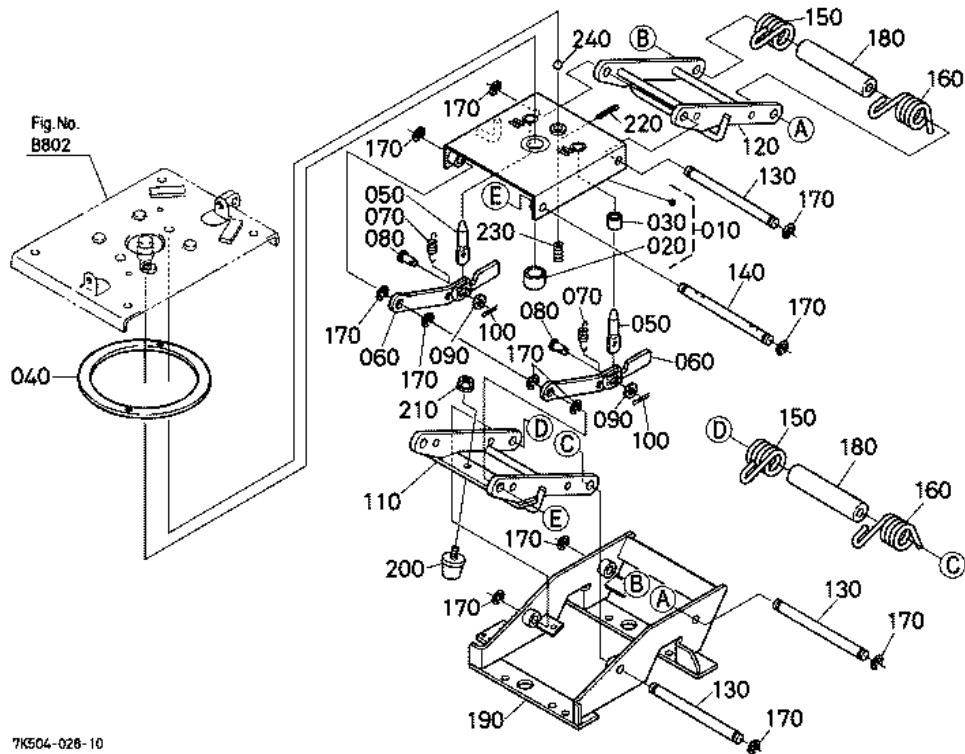
Ref	Part Number	Part Name	Qty	IC	S/N	Lbs	Remarks
010	7K502-66100	SUPPORT,SEAT	1	=		23.1	
010	7K504-66103	SUPPORT,SEAT	1			23.1	
020	32721-45510	PLATE,SEAT TURN	1			3.08	
030	7K504-66120	LEVER,CLAMP	1			0.264	
040	32721-45760	ROD,CLAMP	1			0.420	
050	05122-61020	PIN,JOINT	1			0.044	
060	04011-50100	WASHER,PLAIN	2			0.004	

SEAT SUPPORT (COMPONENT PARTS 1) [OPTION]

Ref	Part Number	Part Name	Qty	IC	S/N	Lbs	Remarks
070	05515-61000	PIN,SNAP	2			0.004	
080	57304-72260	SPRING,OPEN	1			0.022	
090	31355-82370	GRIP,LEVER	1			0.088	
100	02118-50100	NUT	1			0.011	
110	38430-29530	SPACER	1			0.022	
120	04013-60140	WASHER,PLAIN	1			0.022	
130	04512-60140	WASHER,SPRING	1			0.017	
140	02174-50140	NUT	1			0.030	

SEAT SUPPORT (COMPONENT PARTS 2) [OPTION]

Figure Num 01B803



SEAT SUPPORT (COMPONENT PARTS 2) [OPTION]

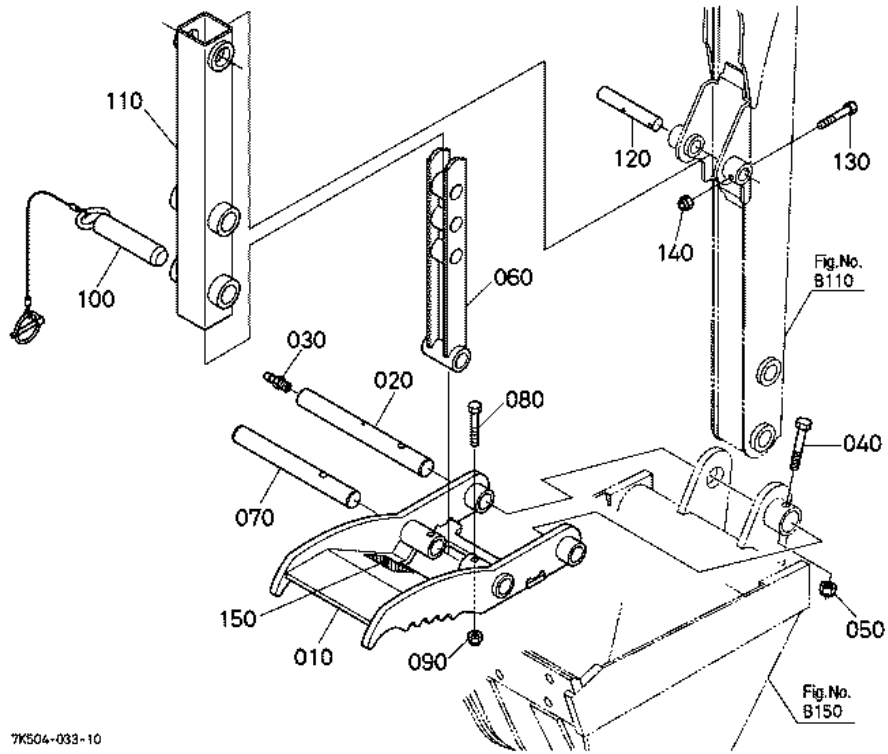
Ref	Part Number	Part Name	Qty	IC	S/N	Lbs	Remarks
010	7K504-66302	ASSY BASE TURN TABLE	1			3.256	
020	58511-28120	BUSH	1			0.017	20*23*15DX
030	32721-45650	BUSH	2			0.013	PM1215DXT
040	32721-45670	RING SEAT TURN TABLE	1			0.055	
050	32721-45550	PIN LOCK	2			0.11	
060	32721-45563	LEVER LOCK PIN	2			0.374	
070	32721-45570	SPRING LEVER	2			0.011	

SEAT SUPPORT (COMPONENT PARTS 2) [OPTION]

Ref	Part Number	Part Name	Qty	IC	S/N	Lbs	Remarks
080	05122-50620	PIN JOINT	2			0.011	
090	04013-60060	WASHER PLAIN	2			0.002	
100	05511-51612	PIN SPLIT	2			0.002	
110	7K504-66140	LINK 1	1			2.376	
120	7K504-66130	LINK 2	1			2.09	
130	32701-52840	PIN FULCRUM	3			0.374	
140	32721-45720	PIN	1			0.360	
150	7K504-66180	SPRING 1 LINK	2			0.193	
160	7K504-66190	SPRING 2 LINK	2			0.195	
170	04613-50100	CIR CLIP EXTERNAL	12			0.004	
180	32721-45750	SPACER LINK	2			0.506	
190	7K504-66110	COMP.BASE SEAT	1			6.116	
200	48100-51540	CUSHION 2	2			0.088	
210	02751-50080	NUT FLANGE	2			0.013	
220	05511-50330	PIN SPLIT	1			0.011	
230	67156-18150	SPRING SHIFT FORK	1			0.006	
240	07715-03219	BALL	1			0.030	

THUMB ARM KIT [OPTION]

Figure Num 01B89000



THUMB ARM KIT [OPTION]

Ref	Part Number	Part Name	Qty	IC	S/N	Lbs	Remarks
010	7K504-84112	WELDMENT,THUMB	1	>>		0	
010	7K504-84110	WELDMENT,THUMB	1			0	ORDER BY REF.No.01
020	7K504-84300	PIN	1			0	25*243/ORDER BY RE
020	7K504-84303	PIN	1	>>		0	25*243
020	7K504-84305	PIN	1	>>		0	25*243
030	75599-81521	FITTING,GREASE	1			0.006	1/4-28T.T*.68
040	01173-51055	BOLT	1			0.079	

THUMB ARM KIT [OPTION]

Ref	Part Number	Part Name	Qty	IC	S/N	Lbs	Remarks
050	02574-50100	NUT,LOCK	1			0.015	
060	7K504-84283	LINK,1 ADJUST	1	>>		0	
060	7K504-84280	LINK,1 ADJUST	1			0	ORDER BY REF.No.06
060	7K504-84282	LINK,1 ADJUST	1	>>		0	
070	7K504-84262	PIN	1	>>		0	25*222
070	7K504-84260	PIN	1			0	25*222
080	01173-51055	BOLT	1			0.079	
090	02574-50100	NUT,LOCK	1			0.015	
100	7K504-84380	PIN,SET ADJUST	1			0	
110	7K504-84290	LINK,2 ADJUST	1			0	ORDER BY REF.No.11
110	7K504-84292	LINK,2 ADJUST	1	>>		0	
120	75596-14150	PIN	1			1.232	0.98*5.90
130	01053-50655	BOLT	1			0.028	
140	02552-50060	NUT,LOCK	1			0.004	
150	7K523-84520	LABEL,WARNING THUMB	1			0	