

Instructions for Parts Books

The heading at the top of the page will be the same for the picture of the parts as it is for the page with the part numbers.

Definition of column headings on part number pages:

REF.No → The number referring to the part on the picture page of the parts book.

Part No. → The number assigned to this part at the time of printing the parts book.

Description → Description of part.

Q'ty → Quantity of part used on that page.

S.No. → Serial number range of the equipment that this part will fit.

>= Your serial number should be greater than or equal to the number shown.

<= Your serial number should be lesser than or equal to the serial number shown.

I/C → Interchangeability of part shown.

↔ The part shown will work for the older and later serial number.

The part shown is not interchangeable with the other serial number.

← new for old

→ old for new

Remarks → Notes about this particular part. Sometimes this may say except [FR] or [CA]

Note about Country Codes:

The parts books we use in the United States of America may also contain information about a part that would be different in another country. It is important that you are aware of the country codes in some instances.

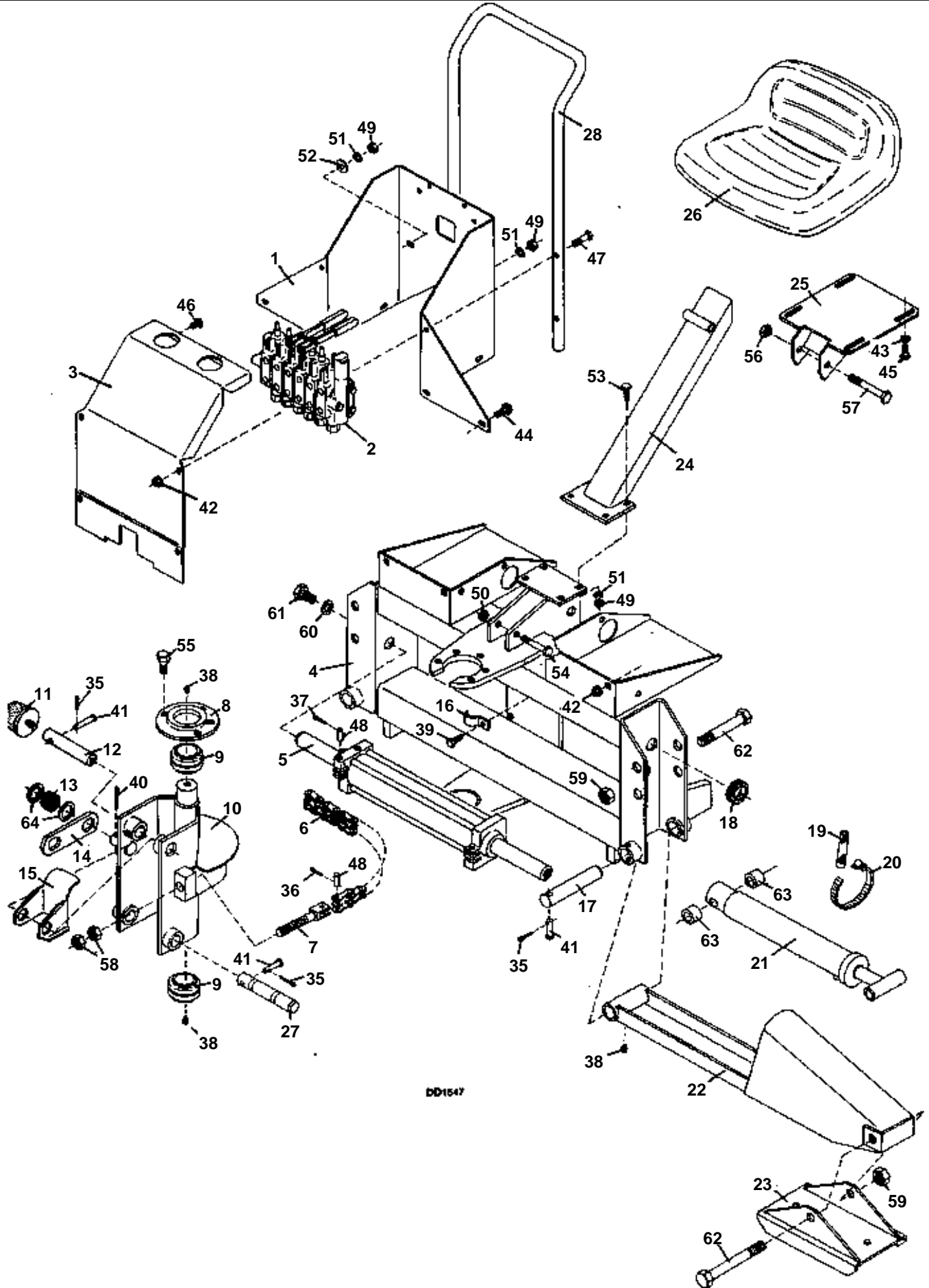
Symbol	Country
A	United States of America
CA	Canada
FR	France
GR	Greece
PO	Portugal
AU	Australia

If the remarks column says for example EXCEPT [FR] this part works in all countries except France. That means it will work here in the USA.

BL4520 Backhoe

Part No.		Book
01001	MAIN FRAME ASSEMBLY 4520	100Z0082
01002	BOOM ASSEMBLY	100Z0082
01003	BUCKET & DIPSTICK ASSEMBLY	100Z0082
01004	HOSES & FITTINGS	100Z0082
01005	TANK & PUMP ASSEMBLY	100Z0082
01006	GEAR PUMP	100Z0082
01007	VALVE CONTROL LINKAGE & PLUMBING	100Z0082
01008	VALVE ASSEMBLY	100Z0082
01009	SWING CYLINDER	100Z0082
01010	DIPPERSTICK & BUCKET CYLINDER	100Z0082
01011	STABILIZER CYLINDER	100Z0082
01012	BOOM CYLINDER	100Z0082
01013	MOUNTING KIT L-4525	100Z0082
01014	MOUNTING KIT L-4522	100Z0082

MAIN FRAME ASSEMBLY 4520





MAIN FRAME ASSEMBLY 4520

↔ Interchangeable; ≠ not interchangeable; ← new for old; → old for new

REF.No	Part No.	Description	Q'ty	S.No.	I/C	REMARKS	Weight (kgf)	Weight (lb)
1	70020-01269	CONSOLE	1				0	0
2	70020-01212	HYD VALVE	1				0	0
3	70020-01268	CONSOLE COVER	1				0	0
4	70020-01323	MAINFRAME ASSY	1	>=1231			0	0
4A	70020-01267	MOUNTING FRAME KIT	1	<=1230			0	0
5	70020-01220	SWING CYL	1				0	0
6	70020-01281	SWING CHAIN	2				0	0
7	70020-01249	CHAIN TENSION BOLT	2				0	0
8	70020-01317	KINGPOST CAP	1	>=1231			0	0
8A	70020-01260	KINGPOST CAP	1	<=1230			0	0
9	70020-00076	1-1/2 ID BALL	2				0	0
10	70020-01266	KINGPOST ASSY	1				0	0
11	70020-01274	BUMPER PAD ASSY	2				0	0
12	70020-01254	1 X 5-7/8 PIVOT PIN	1				0	0
13	70020-01284	COMPRESSION SPRING	1				0	0
14	70020-01271	TRANSPORT LATCH	1				0	0
15	70020-01270	HOSE GUIDE	1				0	0
16	70020-01256	HOSE CLAMP	2				0	0
17	70020-01257	1 X 6-1/4 PIVOT PIN	2				0	0
18	70020-01290	RUBBER GROMMET	2				0	0
19	70020-01230	HOSE CLAMP PROTECTOR	2				0	0
20	70020-01117	ADJUSTMENT HOSE	2				0	0
21	70020-01217	STABILIZER CYL	2				0	0
22	70020-01262	STABILIZER ASSY	2				0	0
23	70020-01261	STABILIZER PAD	2				0	0
24	70020-01229	SEAT SUPPORT	1				0	0
25	70020-01228	SEAT BRACKET	1				0	0
26	70020-00015	SEAT	1				0	0
27	70020-00047	1 X 7-1/2 PIVOT PIN	1				0	0
28	70020-01263	HAND RAIL	1				0	0
29	70020-01320	SAFETY DECAL SET	1				0	0
30	70020-01279	STABILIZER CONTROL	1				0	0
31	70020-01282	OPERATING CONTROL	1				0	0
35	70000-74028	OBTAIN LOCALLY	1				0	0
36	70020-00202	3/32 X 1/2 COTTER	1				0	0
37	70000-74028	OBTAIN LOCALLY	1				0	0
38	70030-00325	1/4-28 GREASE	1				0	0
39	70020-00205	1/4 NC X 3/4 HEX	1				0	0
40	70000-74028	OBTAIN LOCALLY	1				0	0
41	70020-01244	1/4 X 1-7/8 CLEVIS	1				0	0
42	70000-74028	OBTAIN LOCALLY	1				0	0
43	70030-00331	5/16 LOCK WASHER	1				0	0
44	70000-74028	OBTAIN LOCALLY	1				0	0
45	70000-74028	OBTAIN LOCALLY	1				0	0
46	70020-00367	5/16 X 3/4 SOFT TAP	1				0	0
47	70000-74028	OBTAIN LOCALLY	1				0	0
48	70020-01201	5/16 X 1-1/4 CHAIN	1				0	0
49	70000-74028	OBTAIN LOCALLY	1				0	0
50	70000-74028	OBTAIN LOCALLY	1				0	0
51	70080-00799	3/8 LOCK WASHER	1				0	0
52	70020-00219	3/8 STANDARD FLAT	1				0	0
53	70020-00005	3/8 NC X 1 CARRIAGE	1				0	0
54	70000-74028	OBTAIN LOCALLY	1				0	0
55	70000-74028	OBTAIN LOCALLY	1	<=1230			0	0
55	70020-01318	7/16 NF X 7/8 WHEEL	1	>=1231			0	0
56	70020-00393	1/2 NC LOCK NUT	1				0	0
57	70000-74028	OBTAIN LOCALLY	1				0	0
58	70000-74028	OBTAIN LOCALLY	1				0	0
59	70000-74028	OBTAIN LOCALLY	1				0	0

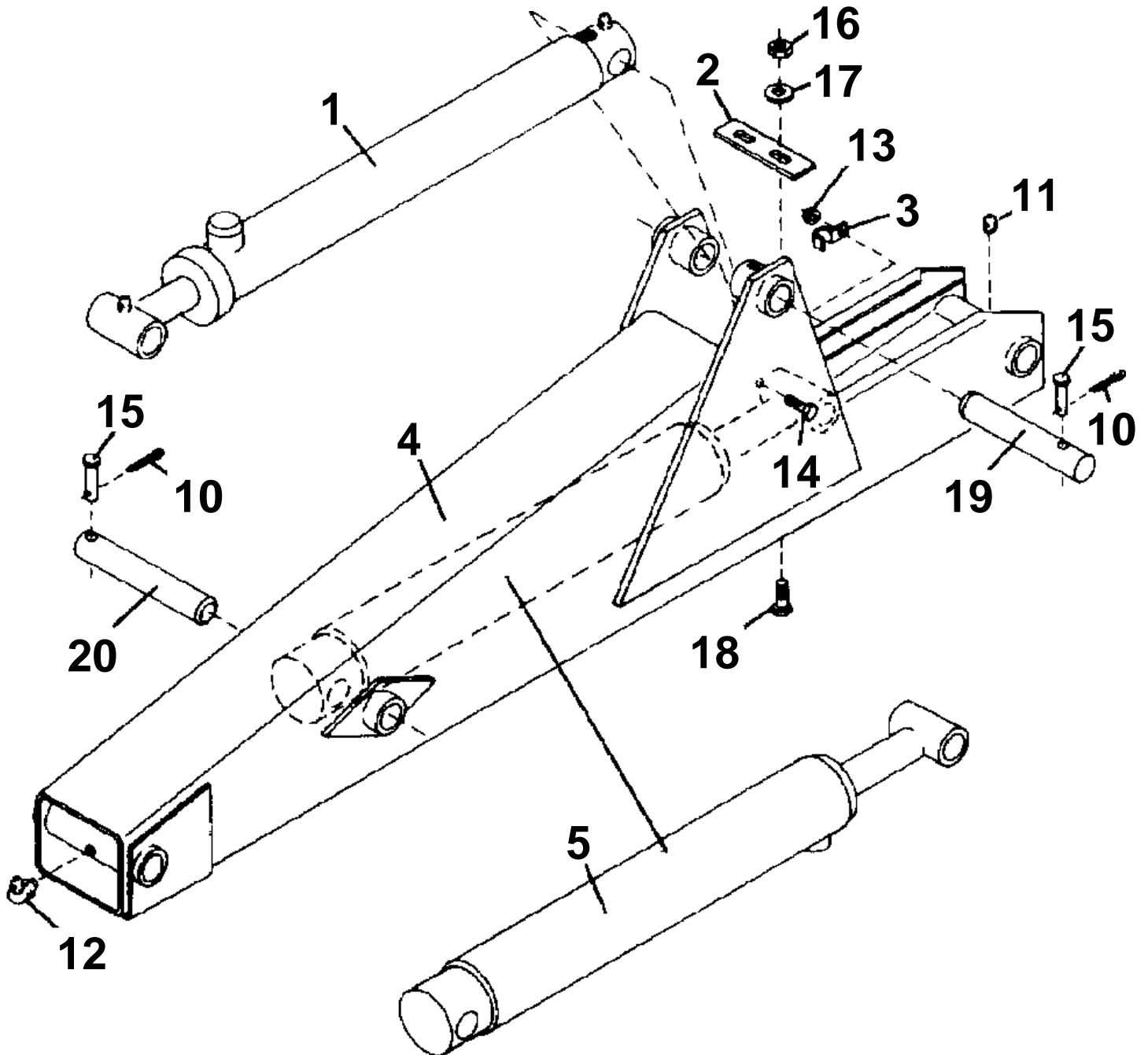


MAIN FRAME ASSEMBLY 4520

↔ Interchangeable; ≠ not interchangeable; ← new for old; → old for new

REF.No	Part No.	Description	Q'ty	S.No.	I/C	REMARKS	Weight (kgf)	Weight (lb)
60	70000-74028	OBTAIN LOCALLY	1				0	0
61	70000-74028	OBTAIN LOCALLY	1				0	0
62	70000-74028	OBTAIN LOCALLY	1				0	0
63	70020-01253	13/16 X 1-1/4 X 1	1				0	0
64	70080-00510	1 X 10 GA WASHER	1				0	0

BOOM ASSEMBLY

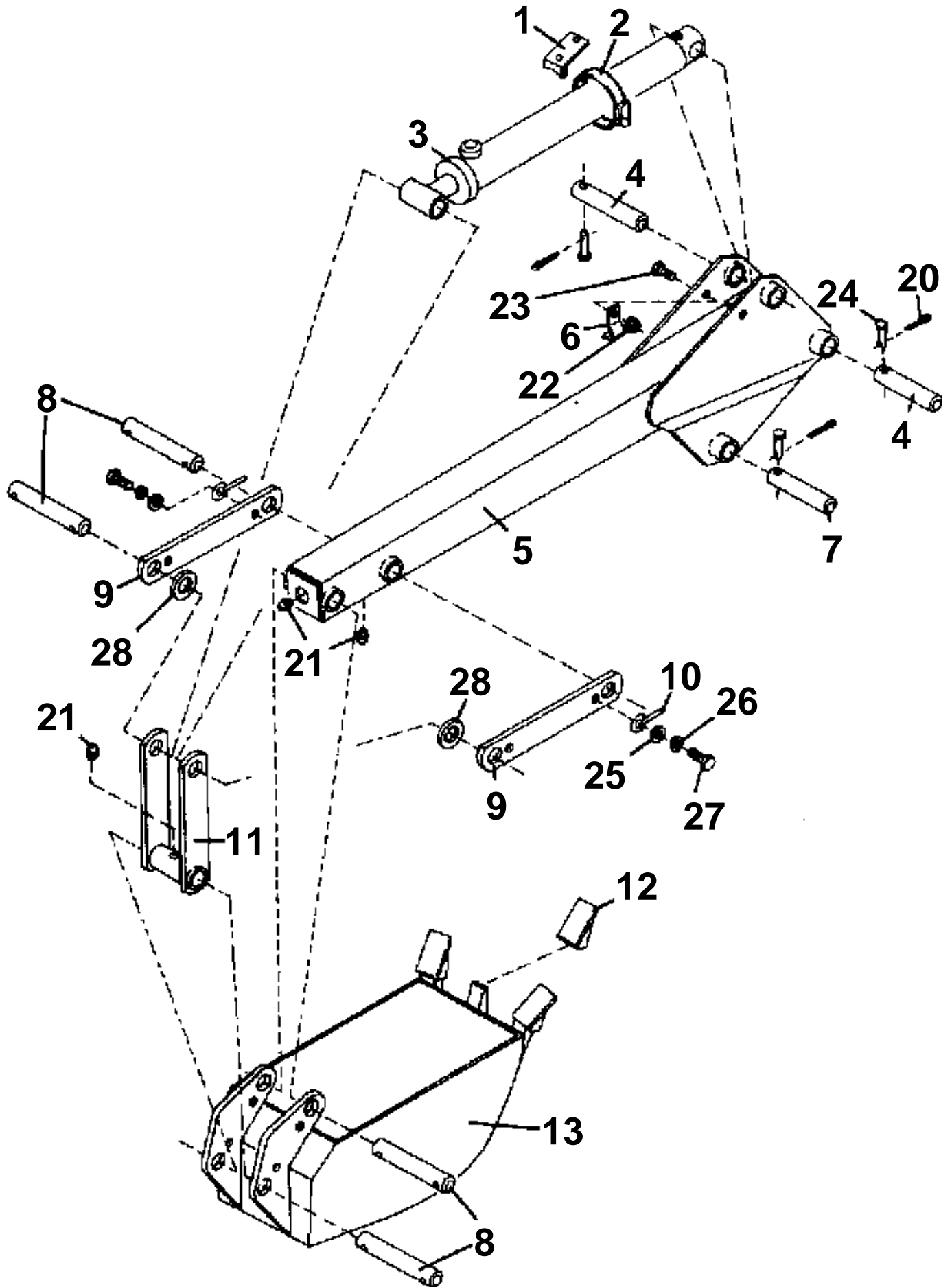


**BOOM ASSEMBLY**

↔ Interchangeable; ≠ not interchangeable; ← new for old; → old for new

REF.No	Part No.	Description	Q'ty	S.No.	I/C	REMARKS	Weight (kgf)	Weight (lb)
1	70020-01218	2X16-3/4 HYD	1				0	0
2	70020-01251	HOSE CLAMP BAR	1				0	0
3	70020-01256	HOSE CLAMP	2				0	0
4	70020-01264	BOOM ASSY	1				0	0
5	70020-01219	2-1/2X16-3/4	1				0	0
10	70000-74028	OBTAIN LOCALLY	1				0	0
11	70020-01301	1/4-28 GREASE	1				0	0
12	70020-00203	1/4-28 90° GREASE	1				0	0
13	70000-74028	OBTAIN LOCALLY	1				0	0
14	70020-00205	1/4 NC X 3/4 HEX	1				0	0
15	70020-01244	1/4 X 1-7/8 CLEVIS	1				0	0
16	70020-00211	5/16 NC HEX LOCK NUT	1				0	0
17	70000-74028	OBTAIN LOCALLY	1				0	0
18	70020-00204	5/16 NC X 1-1/4 HEX	1				0	0
19	70020-01248	1 X 5-13/16 PIVOT	1				0	0
20	70020-01257	1 X 6-1/4 PIVOT PIN	1				0	0

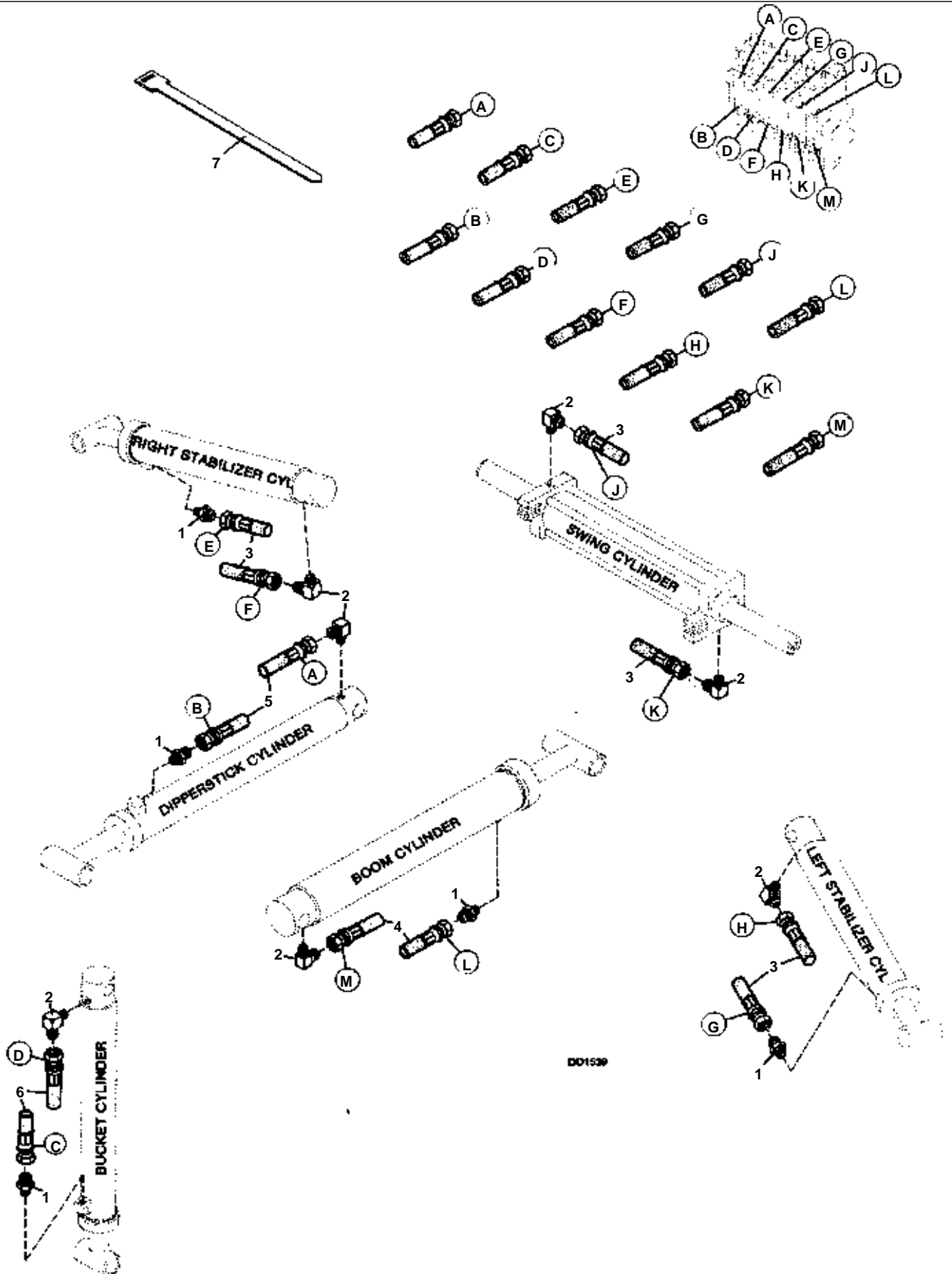
BUCKET & DIPSTICK ASSEMBLY



**BUCKET & DIPSTICK ASSEMBLY**

↔ Interchangeable; ≠ not interchangeable; ← new for old; → old for new

REF.No	Part No.	Description	Q'ty	S.No.	I/C	REMARKS	Weight (kgf)	Weight (lb)
1	70020-01227	SLOW MOVING VEHICLE	1				0	0
2	70020-00132	HOSE CLAMP	1				0	0
3	70020-01218	2 X 16-3/4 HYD	1				0	0
4	70020-01247	1 X 4-7/8 PIVOT PIN	2				0	0
5	70020-01265	DIPPERSTICK ASSY	1				0	0
6	70020-01256	HOSE CLAMP	2				0	0
7	70020-00047	1 X 7-1/2 PIVOT PIN	1				0	0
8	70020-00045	1 X 5-1/2 PIVOT PIN	4				0	0
9	70020-01258	LINK ARM	2				0	0
10	70020-00039	RETAINER PIN	8				0	0
11	70020-01259	BUCKET ARM ASSY	1				0	0
12	70020-00103	BUCKET TOOTH	1				0	0
13	70001-00066	BUCKET - 10	1				0	0
13A	70001-00066	BUCKET - 12	1				0	0
13B	70001-00066	BUCKET - 16	1				0	0
14	70050-00414	KUBOTA DECAL	2				0	0
20	70000-74028	OBTAIN LOCALLY	1				0	0
21	70030-00325	1/4-28 TAPERED	1				0	0
22	70000-74028	OBTAIN LOCALLY	1				0	0
23	70000-74028	OBTAIN LOCALLY	1				0	0
24	70020-01244	1/4 X 1-7/8 CLEVIS	1				0	0
25	70000-74028	OBTAIN LOCALLY	1				0	0
26	70030-00331	5/16 LOCK WASHER	1				0	0
27	70000-74028	OBTAIN LOCALLY	1				0	0
28	70080-00930	1 SAE WASHER	1				0	0



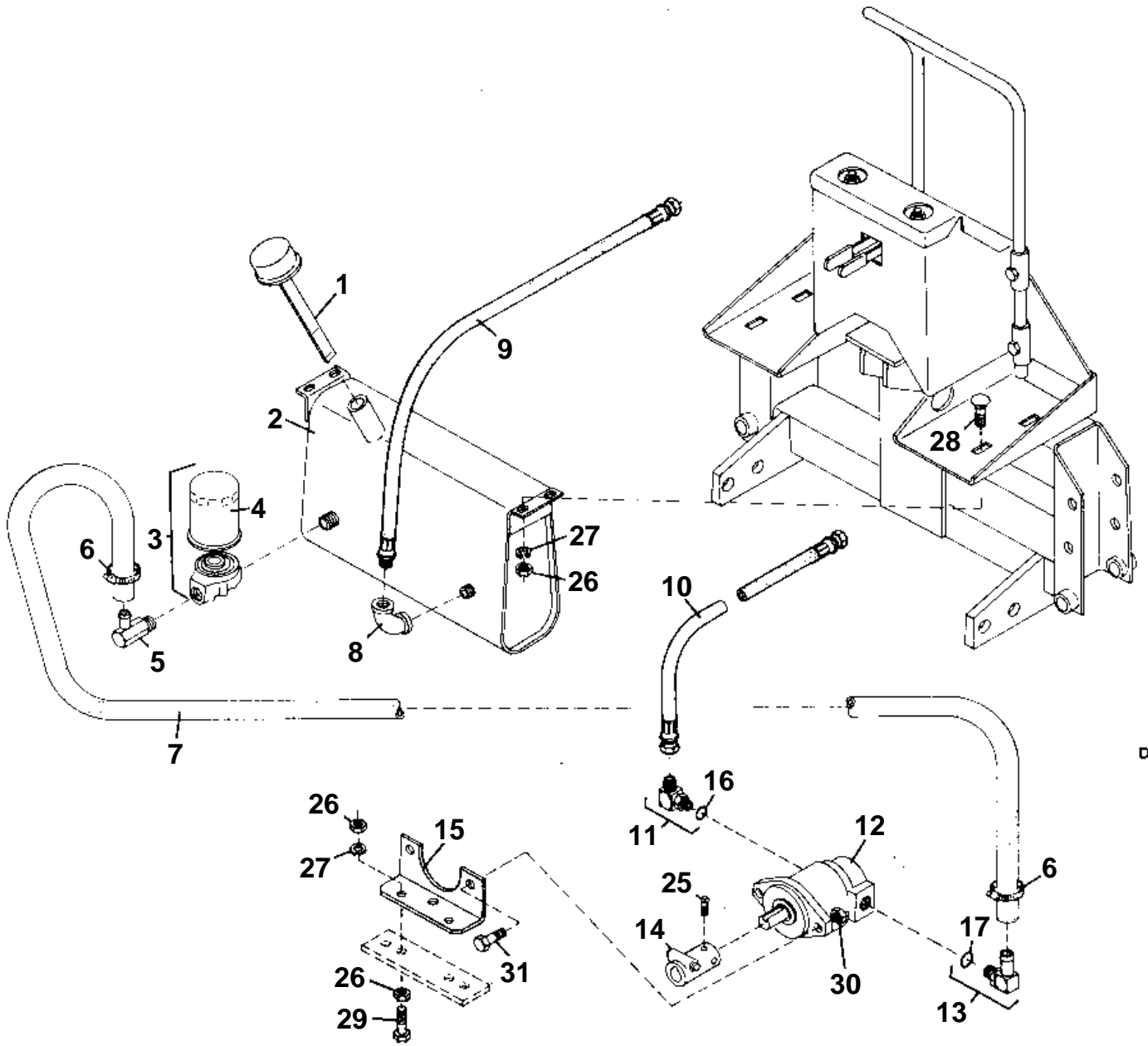


HOSES & FITTINGS

↔ Interchangeable; ≠ not interchangeable; ← new for old; → old for new

REF.No	Part No.	Description	Q'ty	S.No.	I/C	REMARKS	Weight (kgf)	Weight (lb)
1	70020-01287	9/16 - 18 X 1/4 NPT	5				0	0
2	70020-01202	9/16 - 18 X 1/4 NPT	7				0	0
3	70020-01206	9/16 X9-1/16	6				0	0
4	70020-01207	9/16 X 9/16 FLARE	2				0	0
5	70020-01209	9/16 X 9/16 FLARE X	2				0	0
6	70020-01208	9/16 X 9/16 FLARE X	2				0	0
7	70020-01322	7 HOSE TIE	2				0	0

TANK & PUMP ASSEMBLY



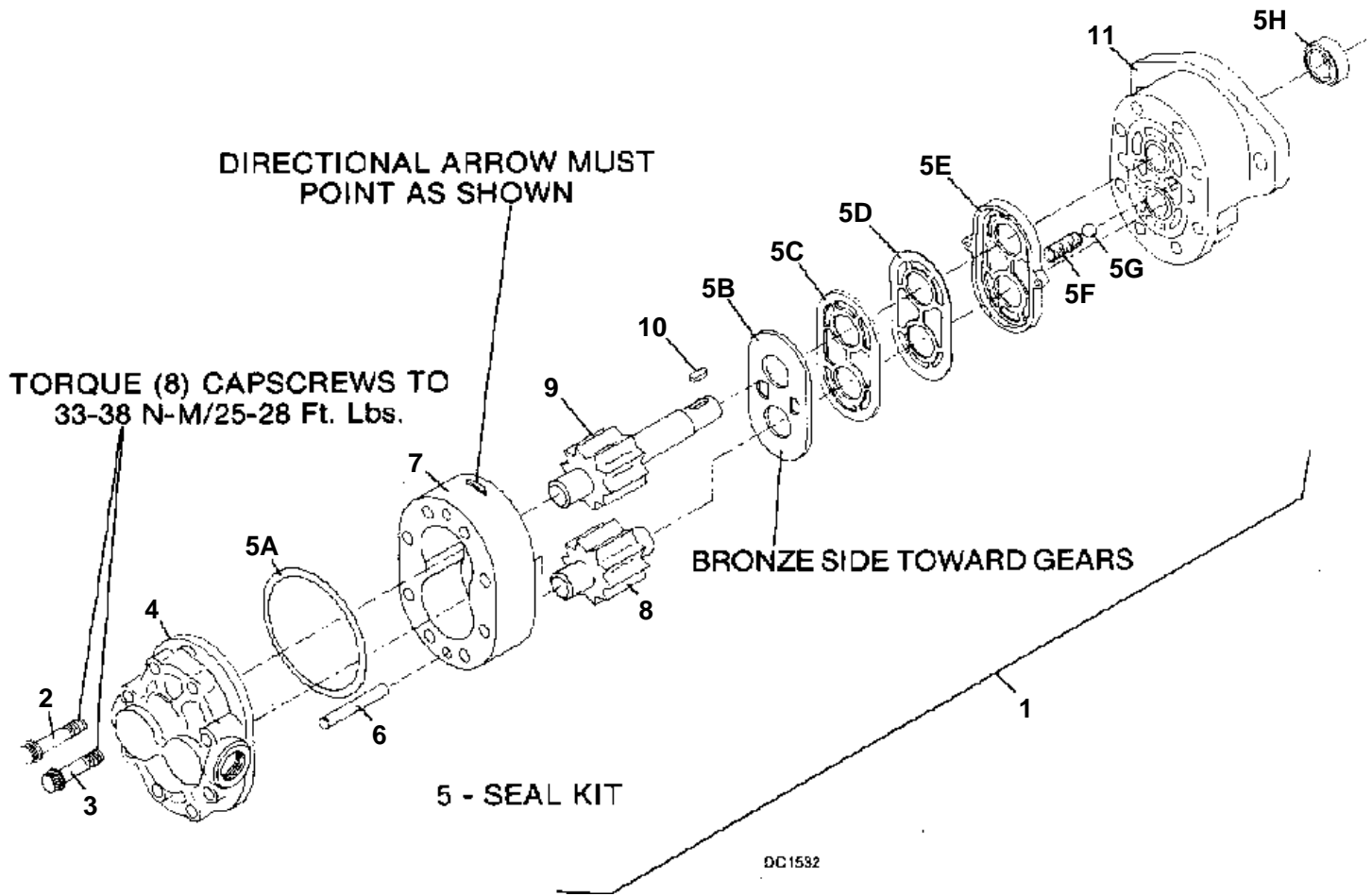
DC 1550

**TANK & PUMP ASSEMBLY**

↔ Interchangeable; ≠ not interchangeable; ← new for old; → old for new

REF.No	Part No.	Description	Q'ty	S.No.	I/C	REMARKS	Weight (kgf)	Weight (lb)
1	70020-00167	TANK BREATHER W/DIPS	1				0	0
2	70020-01243	TANK ASSY	1				0	0
3	70020-01221	FILTER & HOUSING	1				0	0
4	70020-01232	FILER ELEMENT	1				0	0
5	70020-01291	3/4 HOSE X 3/4 PIPE	1				0	0
6	70000-74028	OBTAIN LOCALLY	2				0	0
7	70020-01215	3/4 X 40 SUCTION	1				0	0
8	70020-01292	1/2 X 1/2 90°	1				0	0
9	70020-01205	9/16 FLARE X 1/2 X 1	1				0	0
10	70020-01204	9/16 FLARE X 9/16	1				0	0
11	70020-01280	7/8-14 X 9/16 FLARE	1				0	0
12	70020-01211	PUMP ASSY	1				0	0
13	70020-01288	1-1/16 - 12 X 3/4	1				0	0
14	70020-01246	PUMP DRIVE COUPLER	1				0	0
15	70020-01225	PUMP MOUNTING PLATE	1				0	0
16	70000-74028	OBTAIN LOCALLY	1				0	0
17	70000-74028	OBTAIN LOCALLY	1				0	0
25	70020-01200	5/16NCX1 CUP POINT	1				0	0
26	70000-74028	OBTAIN LOCALLY	1				0	0
27	70080-00799	3/8 LOCK WASHER	1				0	0
28	70000-74028	OBTAIN LOCALLY	1				0	0
29	70020-00206	3/8 NC X 1-1/4 HEX	1				0	0
30	70000-74028	OBTAIN LOCALLY	1				0	0
31	70000-74028	OBTAIN LOCALLY	1				0	0

GEAR PUMP

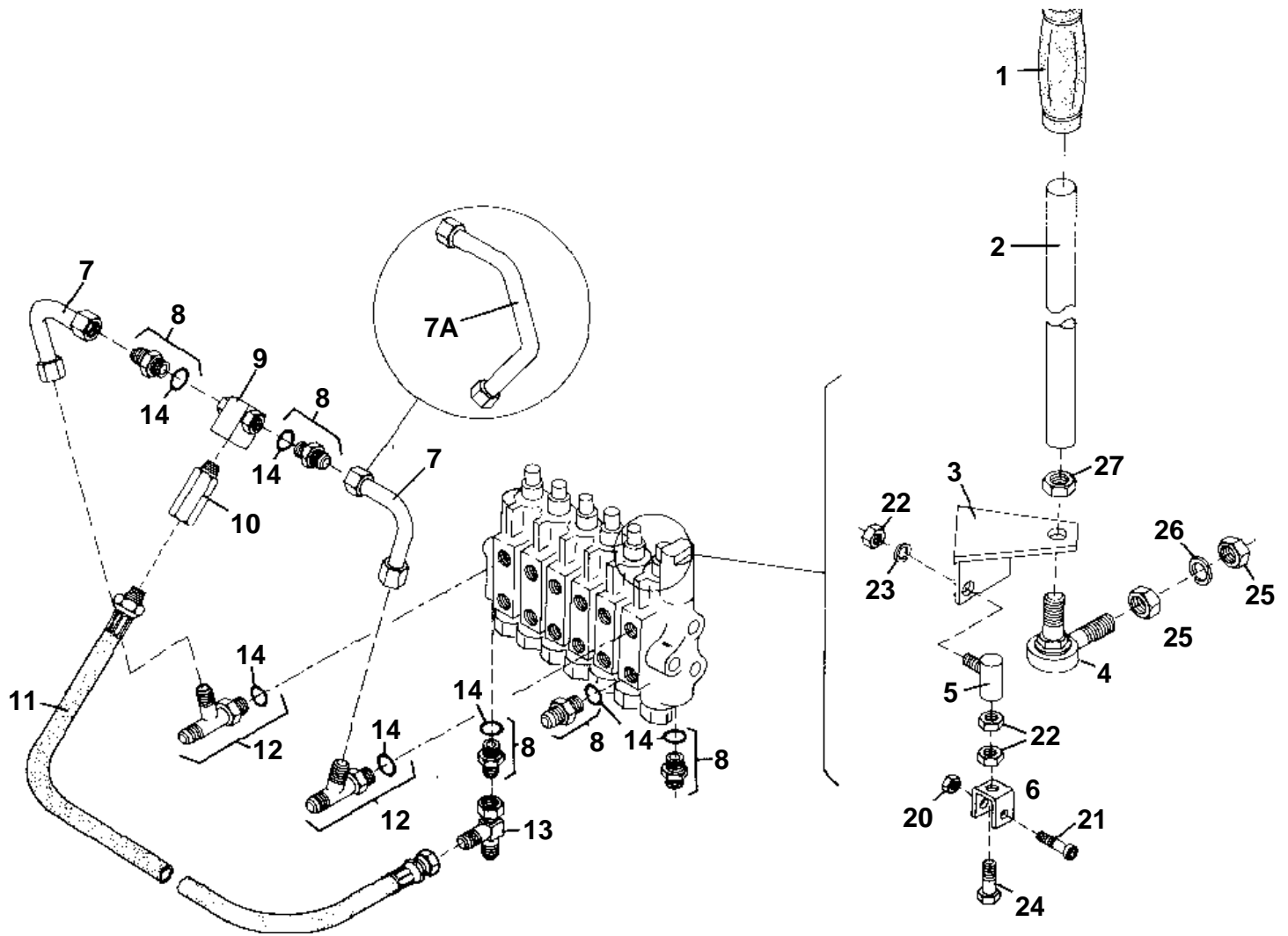




GEAR PUMP

↔ Interchangeable; ≠ not interchangeable; ← new for old; → old for new

REF.No	Part No.	Description	Q'ty	S.No.	I/C	REMARKS	Weight (kgf)	Weight (lb)
1	70020-01211	HYD GEAR PUMP	1				0	0
2	70020-01211	3-1/4 X 5/16-18	4				0	0
3	70020-01211	3 X 5/16 - 18	4				0	0
4	70020-01211	REAR HOUSING	1				0	0
5	70020-01277	SEAL KIT (CONTAINS	1				0	0
5A	70020-01277	O-RING	1				0	0
5B	70020-01277	DIAPHRAGM	1				0	0
5C	70020-01277	BACKUP GASKET	1				0	0
5D	70020-01277	PROTECTOR GASKET	1				0	0
5E	70020-01277	DIAPHRAGM SEAL	1				0	0
5F	70020-01277	SPRING	2				0	0
5G	70020-01277	BALL	2				0	0
5H	70020-01277	SHAFT SEAL	1				0	0
6	70020-01211	DOWEL PIN	2				0	0
7	70020-01211	BODY	1				0	0
8	70020-01211	IDLER GEAR ASSY	1				0	0
9	70020-01211	DRIVE GEAR ASSY	1				0	0
10	70020-01245	5/32 X 11/16 KEY	1				0	0
11	70020-01211	FRONT HOUSING	1				0	0

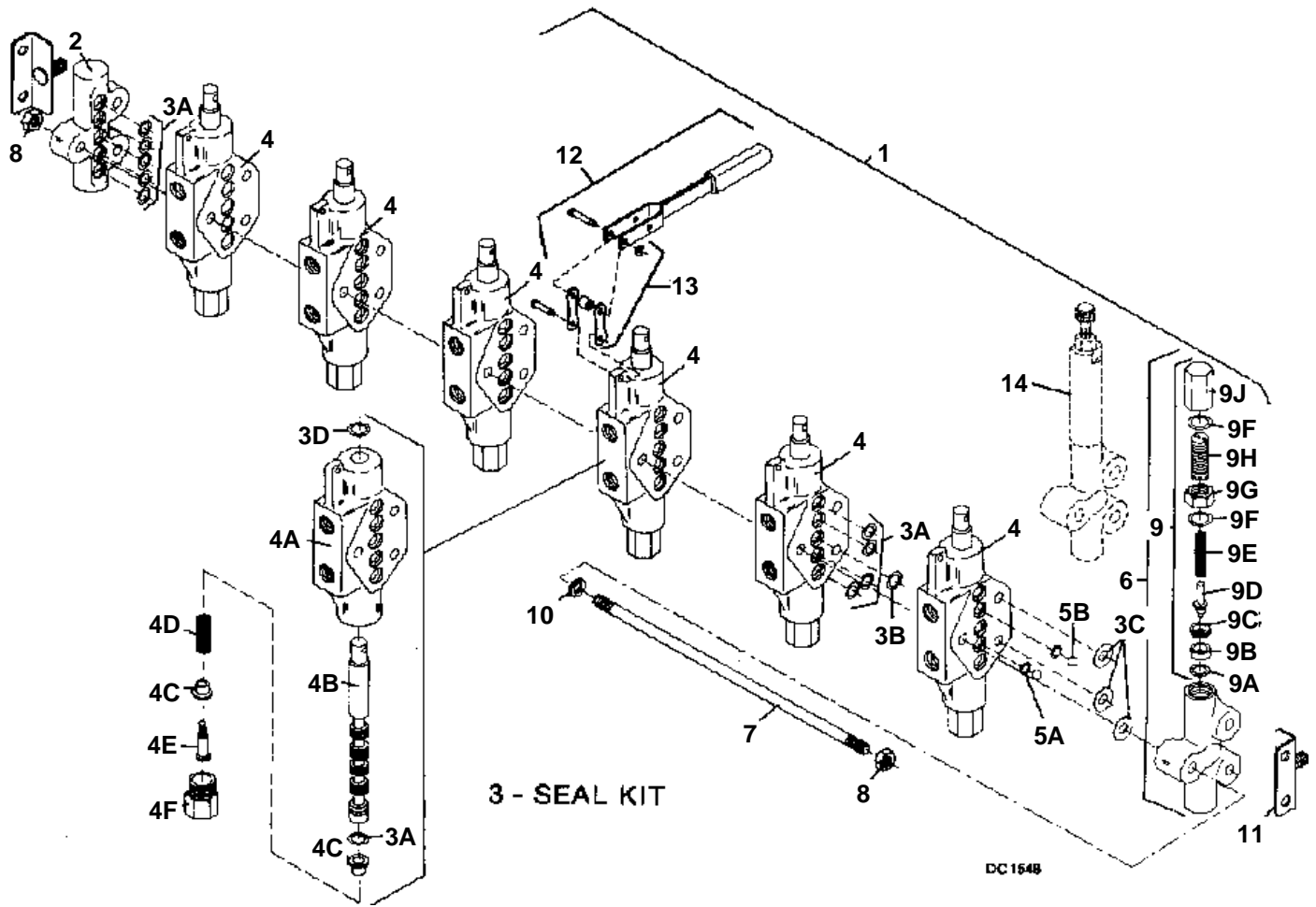


**VALVE CONTROL LINKAGE & PLUMBING**

↔ Interchangeable; ≠ not interchangeable; ← new for old; → old for new

REF.No	Part No.	Description	Q'ty	S.No.	I/C	REMARKS	Weight (kgf)	Weight (lb)
1	70020-00353	CONTROL HANDLE GRIP	1				0	0
2	70020-01252	CONTROL HANDLE	2				0	0
3	70020-01250	CONTROL ARM ASSY	2				0	0
4	70020-01289	BALL JOINT	2				0	0
5	70020-00078	BALL JOINT	4				0	0
6	70020-01255	CLIP	4				0	0
7	70020-01210	HYD TUBE ASSY	2	>=1231			0	0
7A	70020-01276	HYD TUBE ASSY	1	<=1230			0	0
8	70020-00023	9/16 - 18 X 9/16 M	14				0	0
9	70020-01222	SHUTTLE VALVE	1				0	0
10	70020-01216	RELIEF VALVE	1				0	0
11	70020-01203	9/16FLAREX3/8NPTX14	1				0	0
12	70020-01283	9/16 - 18 X 9/16 X	1				0	0
13	70020-00010	9/16 M X M X F	1				0	0
14	70000-74028	OBTAIN LOCALLY	16				0	0
20	70000-74028	OBTAIN LOCALLY	1				0	0
21	70020-01285	#8 X 1 SOCKET HEAD	1				0	0
22	70000-74028	OBTAIN LOCALLY	1				0	0
23	70000-74028	OBTAIN LOCALLY	1				0	0
24	70000-74028	OBTAIN LOCALLY	1				0	0
25	70020-00212	3/8 NF HEX NUT	1				0	0
26	70080-00799	3/8 LOCK WASHER	1				0	0
27	70000-74028	OBTAIN LOCALLY	1				0	0

VALVE ASSEMBLY

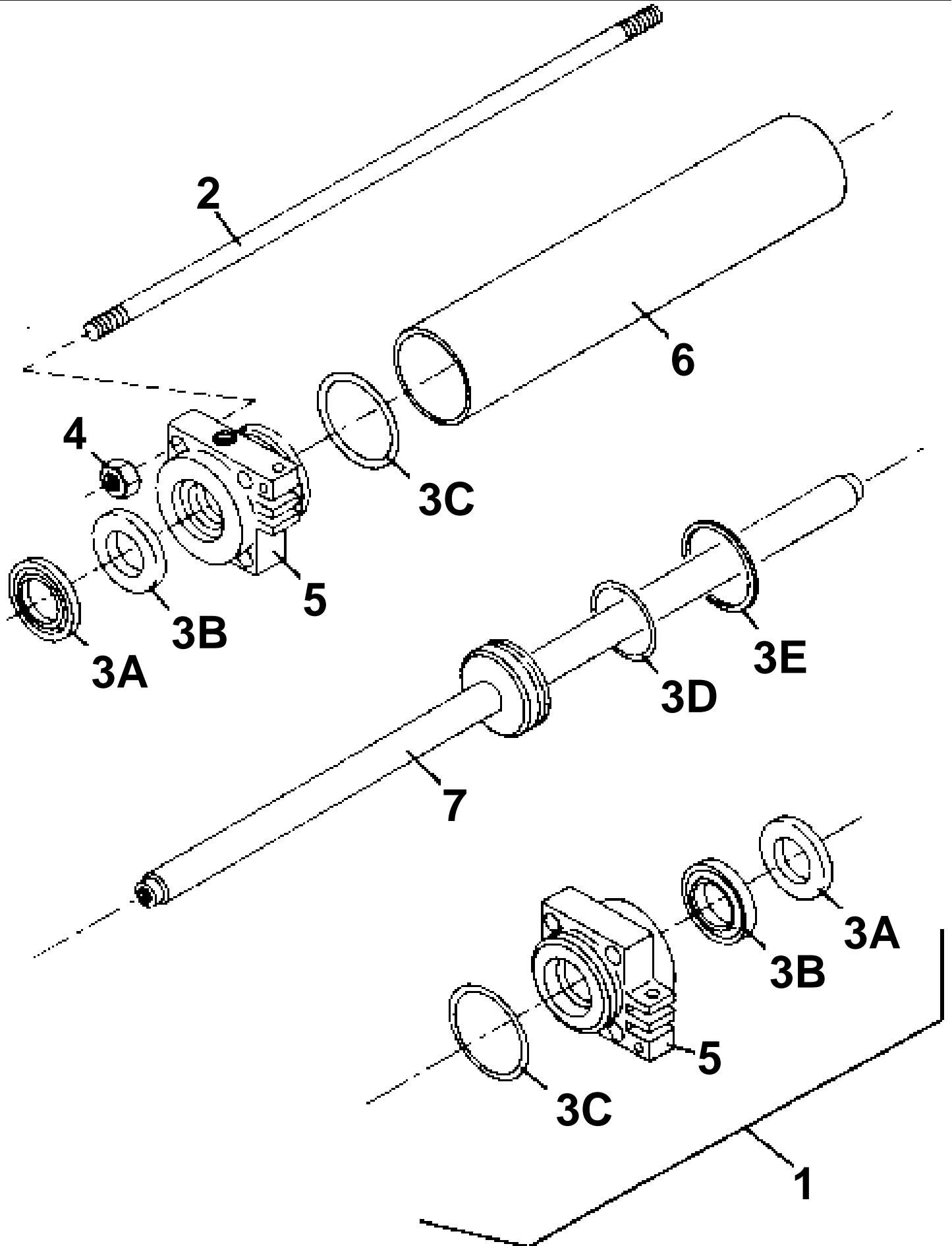


**VALVE ASSEMBLY**

↔ Interchangeable; ≠ not interchangeable; ← new for old; → old for new

REF.No	Part No.	Description	Q'ty	S.No.	I/C	REMARKS	Weight (kgf)	Weight (lb)
1	70020-01212	6-SPOOL VALVE	1				0	0
2	70020-01234	TANK SECTION	1				0	0
3	70020-01241	SEAL KIT	1				0	0
3A	70020-01241	O-RING	35				0	0
3B	70020-01241	O-RING	6				0	0
3C	70020-01241	MYLAR SHIM	21				0	0
3D	70020-01241	O-RING	6				0	0
4	70020-01235	VALVE SECTION COMP	6				0	0
4A	70020-01235	VALVE BODY	6				0	0
4B	70020-01235	SPOOL	6				0	0
4C	70020-01235	SPRING RETAINER	12				0	0
4D	70020-01235	SPRING	6				0	0
4E	70020-01235	SPRING SHAFT	6				0	0
4F	70020-01235	SPRING CAP	6				0	0
5	70020-01240	CHECK BALL KIT	1				0	0
5A	70020-01240	LOAD CHECK RETAINER	2				0	0
5B	70020-01240	LOAD CHECK BALL	2				0	0
6	70020-01242	INLET SECTION WITH	1				0	0
7	70020-01237	TIE ROD	3				0	0
8	70000-74028	OBTAIN LOCALLY	6				0	0
9	70020-01319	PRESSURE RELIEF VALV	1				0	0
9A	70020-01319	SEAT	1				0	0
9B	70020-01319	SEAT RETAINER	1				0	0
9C	70020-01319	POPPET	1				0	0
9D	70020-01319	SPRING	1				0	0
9E	70020-01319	O-RING	2				0	0
9F	70020-01319	HEX NUT	1				0	0
9G	70020-01319	THREADED SLEEVE	1				0	0
9H	70020-01319	CAP	1				0	0
10	70000-74028	OBTAIN LOCALLY	2				0	0
11	70020-01236	MOUNTING BRACKET	2				0	0
12	70020-01238	HANDLE ASSY COMP	2				0	0
13	70020-01239	LINK KIT	2				0	0

SWING CYLINDER



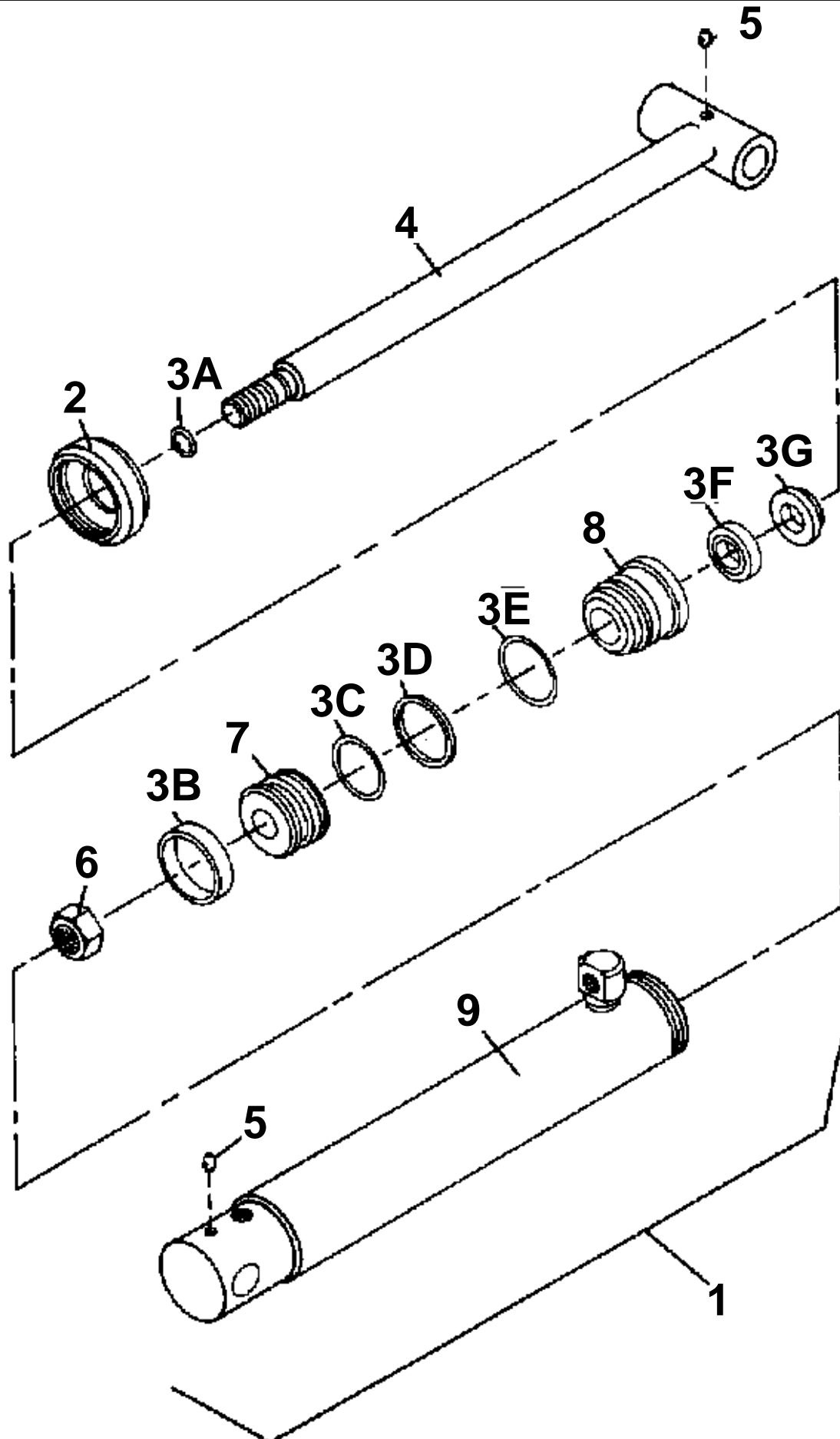


SWING CYLINDER

↔ Interchangeable; ≠ not interchangeable; ← new for old; → old for new

REF.No	Part No.	Description	Q'ty	S.No.	I/C	REMARKS	Weight (kgf)	Weight (lb)
1	70020-01220	HYD SWING	1				0	0
2	70020-01315	7/16 NF X 16 TIE ROD	4				0	0
3	70020-01231	SEAL KIT	1				0	0
3A	70020-01231	ROD WIPER	2				0	0
3B	70020-01231	ROD SEAL	2				0	0
3C	70020-01231	GLAND STATIC SEAL	2				0	0
3D	70020-01231	O-RING	1				0	0
3E	70020-01231	PISTON SEAL	1				0	0
4	70020-01302	7/16 NF HEX NUT	8				0	0
5	70020-01314	GLAND	2				0	0
6	70020-01312	BARREL	1				0	0
7	70020-01313	ROD ASSY	1				0	0

DIPPERSTICK & BUCKET CYLINDER



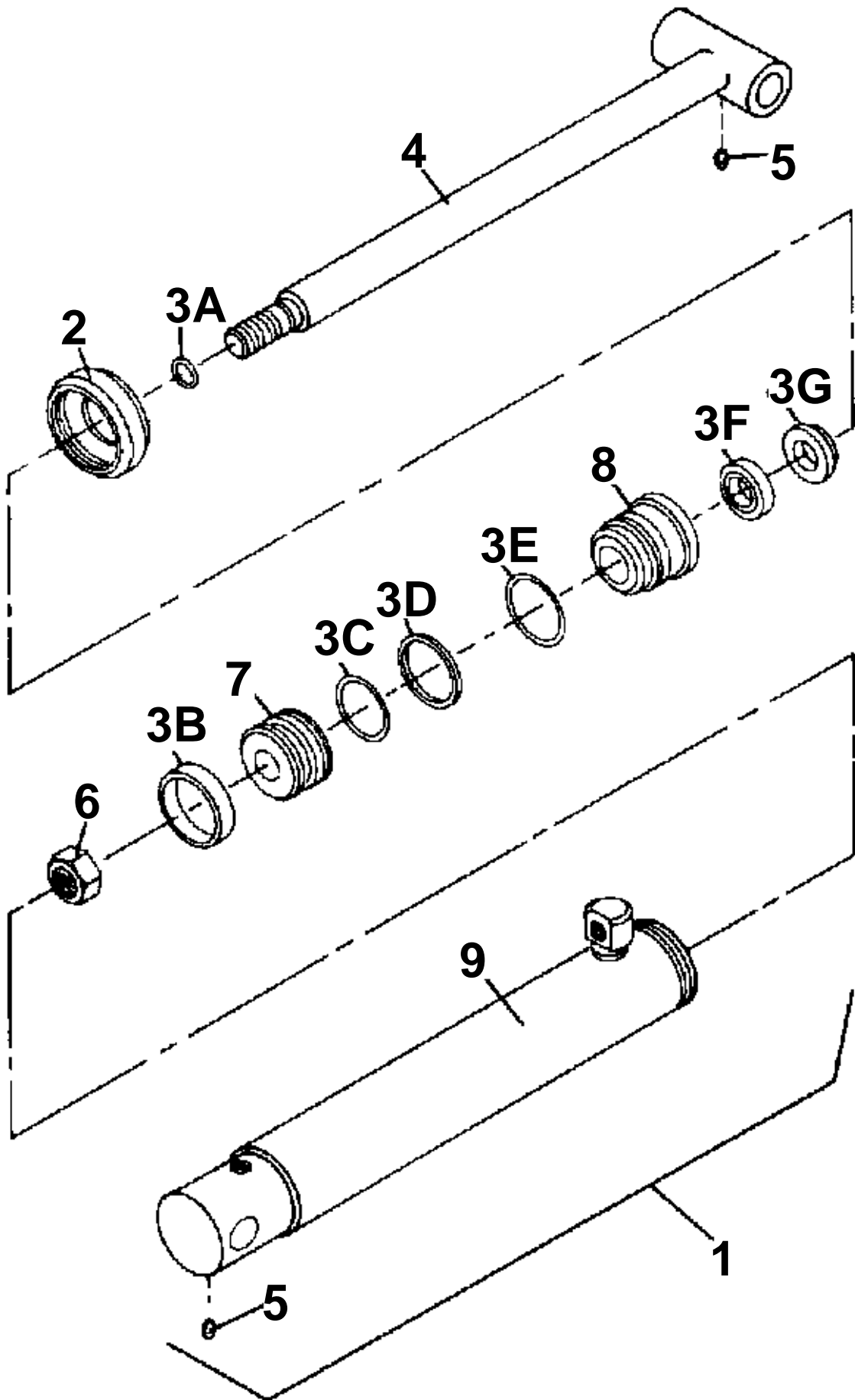


DIPPERSTICK & BUCKET CYLINDER

↔ Interchangeable; ≠ not interchangeable; ← new for old; → old for new

REF.No	Part No.	Description	Q'ty	S.No.	I/C	REMARKS	Weight (kgf)	Weight (lb)
1	70020-01218	2 X 16-3/4 HYD	1				0	0
2	70020-00085	COLLAR	1				0	0
3	70020-01116	SEAL KIT	1				0	0
3A	70020-01116	ROD STATIC SEAL	1				0	0
3B	70020-01116	WEAR RING	1				0	0
3C	70020-01116	O-RING	1				0	0
3D	70020-01116	PISTON SEAL	1				0	0
3E	70020-01116	GLAND STATIC SEAL	1				0	0
3F	70020-01116	ROD SEAL	1				0	0
3G	70020-01116	ROD WIPER	1				0	0
4	70020-01306	ROD ASSY	1				0	0
5	70020-01301	1/4-28 GREASE	2				0	0
6	70020-01316	7/8 NC SELF LOCK HEX	1				0	0
7	70020-01305	PISTON	1				0	0
8	70020-01304	GLAND	1				0	0
9	70020-01218	BARREL	1				0	0

STABILIZER CYLINDER



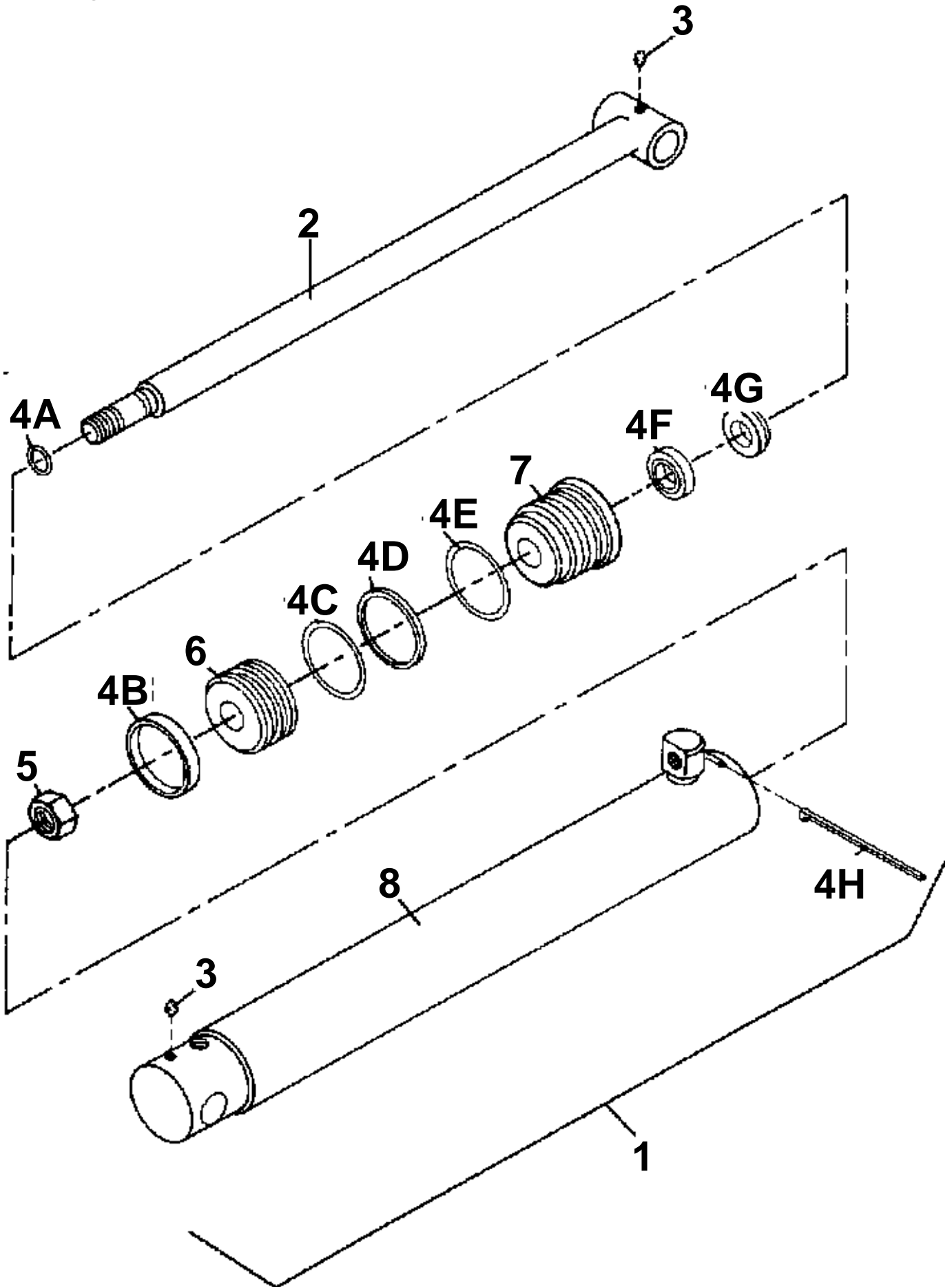


STABILIZER CYLINDER

↔ Interchangeable; ≠ not interchangeable; ← new for old; → old for new

REF.No	Part No.	Description	Q'ty	S.No.	I/C	REMARKS	Weight (kgf)	Weight (lb)
1	70020-01217	2 X 10 HYD	1				0	0
2	70020-00085	COLLAR	1				0	0
3	70020-01116	SEAL KIT	1				0	0
3A	70020-01116	ROD STATIC SEAL	1				0	0
3B	70020-01116	WEAR RING	1				0	0
3C	70020-01116	O-RING	1				0	0
3D	70020-01116	PISTON SEAL	1				0	0
3E	70020-01116	GLAND STATIC SEAL	1				0	0
3F	70020-01116	ROD SEAL	1				0	0
3G	70020-01116	ROD WIPER	1				0	0
4	70020-01311	ROD ASSY	1				0	0
5	70020-01301	1/4 - 28 GREASE	2				0	0
6	70020-01316	7/8 NC SELF LOCK NUT	1				0	0
7	70020-01310	PISTON	1				0	0
8	70020-01304	GLAND	1				0	0
9	70020-01217	BARREL	1				0	0

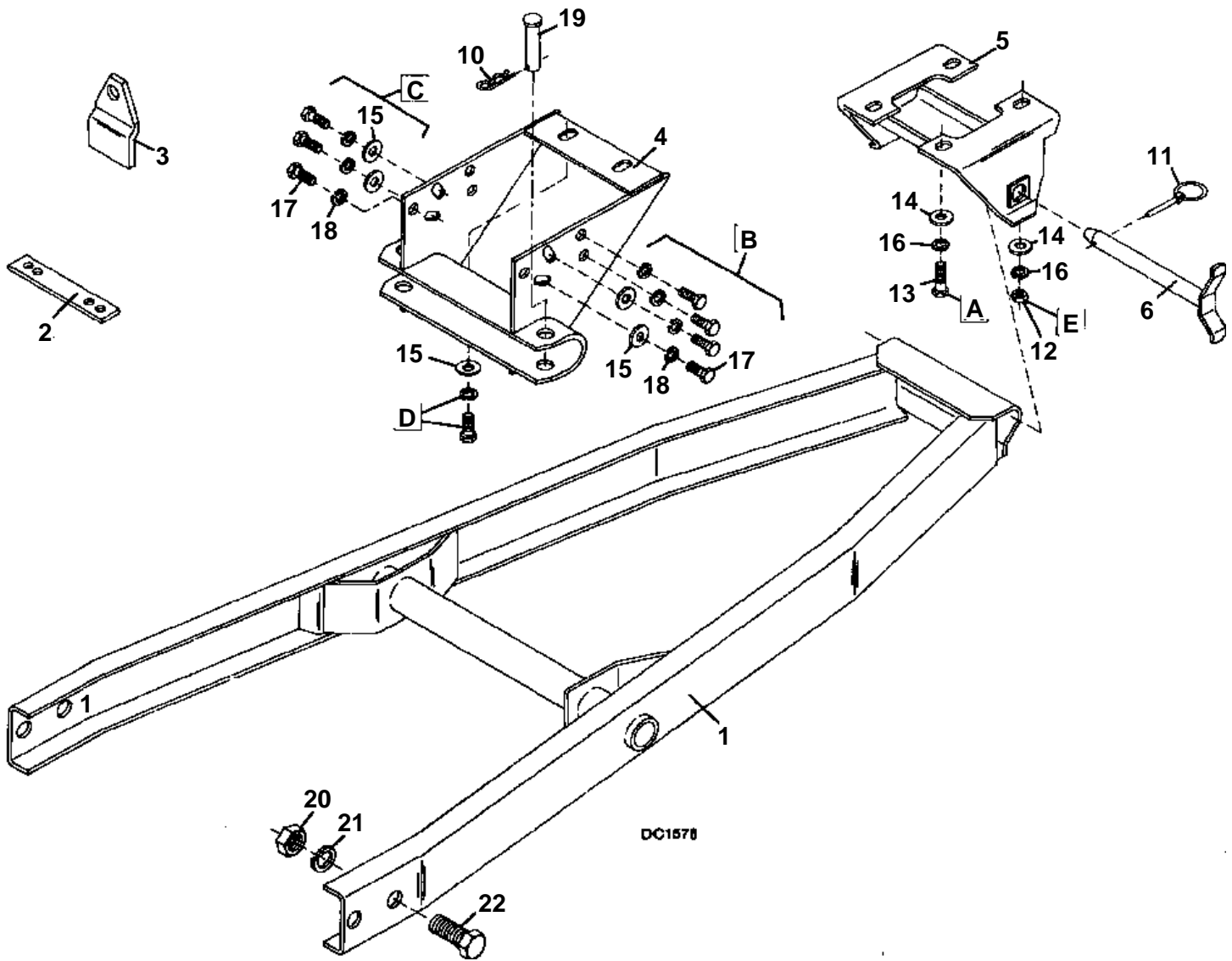
BOOM CYLINDER



**BOOM CYLINDER**

↔ Interchangeable; ≠ not interchangeable; ← new for old; → old for new

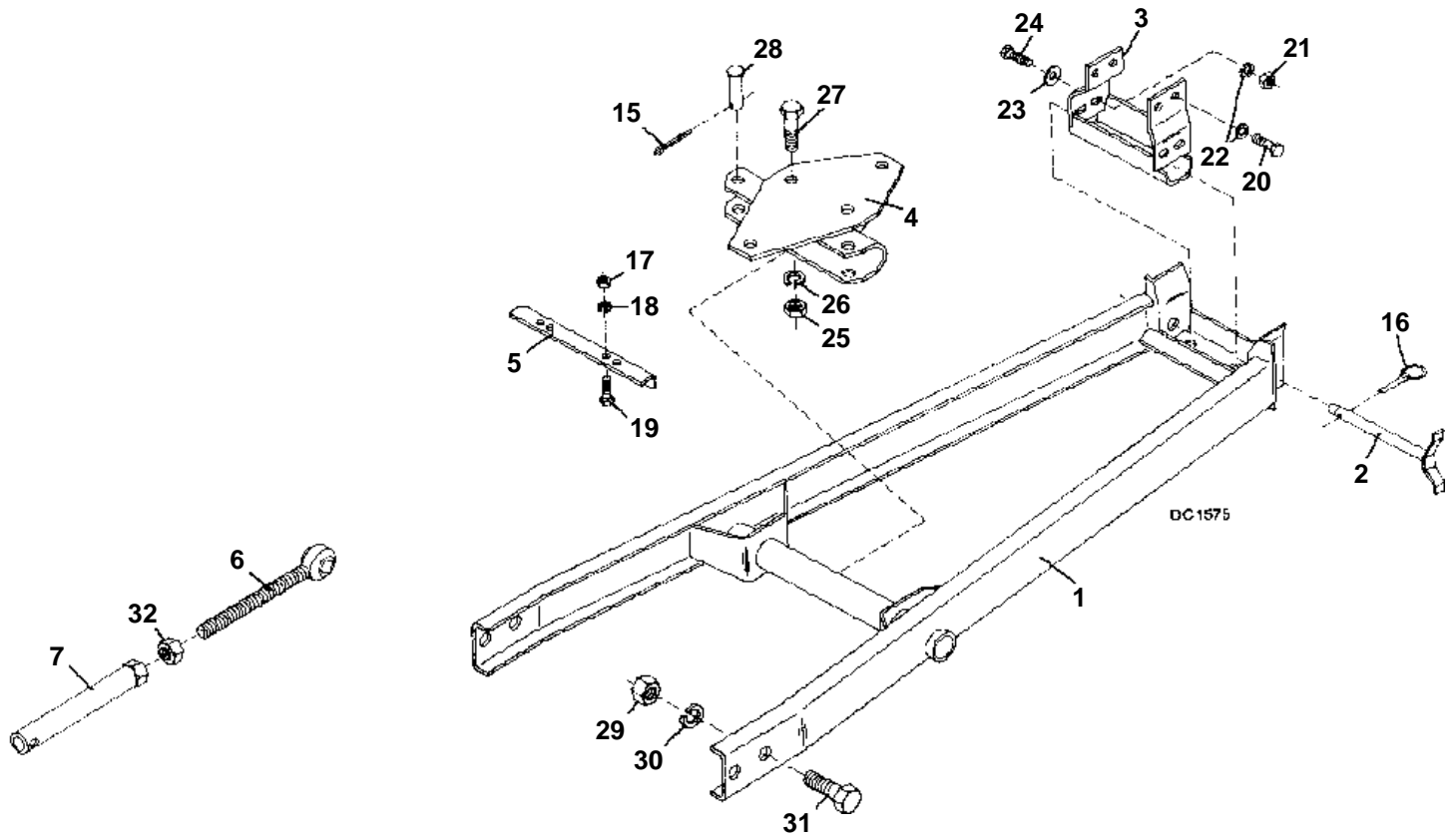
REF.No	Part No.	Description	Q'ty	S.No.	I/C	REMARKS	Weight (kgf)	Weight (lb)
1	70020-01219	2-1/2 X 16-3/4	1				0	0
2	70020-01309	ROD ASSY	1				0	0
3	70020-01301	1/4-28 GREASE	2				0	0
4	70020-01115	SEAL KIT	1				0	0
4A	70020-01115	ROD STATIC SEAL	1				0	0
4B	70020-01115	WEAR STRIP	1				0	0
4C	70020-01115	O-RING	1				0	0
4D	70020-01115	PISTON SEAL	1				0	0
4E	70020-01115	GLAND STATIC SEAL	1				0	0
4F	70020-01115	ROD SEAL	1				0	0
4G	70020-01115	ROD WIPER	1				0	0
4H	70020-01115	LICK WIRE	1				0	0
5	70020-01316	7/8 NC SELF LOCK HEX	1				0	0
6	70020-01307	PISTON	1				0	0
7	70020-01308	GLAND	1				0	0
8	70020-01219	BARREL	1				0	0



**MOUNTING KIT L-4525**

↔ Interchangeable; ≠ not interchangeable; ← new for old; → old for new

REF.No	Part No.	Description	Q'ty	S.No.	I/C	REMARKS	Weight (kgf)	Weight (lb)
1	70020-01275	MOUNTING FRAME	1				0	0
2	70020-01278	PUMP BRACKET ARM	1				0	0
3	70020-01293	DRAFT CONTROL	1				0	0
4	70020-01272	CENTER SUPPORT	1				0	0
5	70020-01226	FRONT SUPPORT	1				0	0
6	70020-01273	MOUNTING PIN	1				0	0
10	70020-00003	5/32 X 2-1/2 COTTER	1				0	0
11	70080-00618	1/4 X 1-3/4 KLIK PIN	1				0	0
12	02174-50120	12MM HEX NUT 1/25P	1				0.01	0.022
13	01073-51230	12MM X 1.25P X 30MM	1				0.041	0.0902
14	70000-74028	OBTAIN LOCALLY	1				0	0
15	70080-00819	1/2 STANDARD FLAT	1				0	0
16	70080-00795	1/2 LOCKWASHER	1				0	0
17	01073-51440	14MM X 1/5P X 40MM	1				0.069	0.1518
18	70000-74028	OBTAIN LOCALLY	1				0	0
19	70030-00337	3/4 X 3 CLEVIS PIN	1				0	0
20	70000-74028	OBTAIN LOCALLY	1				0	0
21	70000-74028	OBTAIN LOCALLY	1				0	0
22	70000-74028	OBTAIN LOCALLY	1				0	0





MOUNTING KIT L-4522

↔ Interchangeable; ≠ not interchangeable; ← new for old; → old for new

REF.No	Part No.	Description	Q'ty	S.No.	I/C	REMARKS	Weight (kgf)	Weight (lb)
1	70020-01295	MOUNTING FRAME	1				0	0
2	70020-01296	MOUNTING OIN	1				0	0
3	70020-01294	CENTER HANGER	1				0	0
4	70020-01120	DRAWBAR HITCH	1				0	0
5	70020-01299	PUMP ARM	1				0	0
6	70020-01297	INNER HITCH LINK	1				0	0
7	70020-01298	OUTER HITCH LINK	1				0	0
15	70020-00002	COTTER PIN	1				0	0
16	70080-00618	KLIK PIN	1				0	0
17	70000-74028	OBTAIN LOCALLY	1				0	0
18	70000-74028	OBTAIN LOCALLY	1				0	0
19	70020-00206	CAPSCREW	1				0	0
20	01173-51025	CAPSCREW	1				0.021	0.0462
21	70000-74028	OBTAIN LOCALLY	1				0	0
22	70000-74028	OBTAIN LOCALLY	1				0	0
23	70000-74028	OBTAIN LOCALLY	1				0	0
24	70000-74028	OBTAIN LOCALLY	1				0	0
25	70000-74028	OBTAIN LOCALLY	1				0	0
26	70000-74028	OBTAIN LOCALLY	1				0	0
27	70000-74028	OBTAIN LOCALLY	1				0	0
28	70080-00337	CLEVIS PIN	1				0	0
29	70000-74028	OBTAIN LOCALLY	1				0	0
30	70000-74028	OBTAIN LOCALLY	1				0	0
31	70000-74028	OBTAIN LOCALLY	1				0	0
32	70020-00214	NUT 1IN NC	1				0	0