

# Instructions for Parts Books

The heading at the top of the page will be the same for the picture of the parts as it is for the page with the part numbers.

Definition of column headings on part number pages:

**REF.No** → The number referring to the part on the picture page of the parts book.

**Part No.** → The number assigned to this part at the time of printing the parts book.

**Description** → Description of part.

**Q'ty** → Quantity of part used on that page.

**S.No.** → Serial number range of the equipment that this part will fit.

>= Your serial number should be greater than or equal to the number shown.

<= Your serial number should be lesser than or equal to the serial number shown.

**I/C** → Interchangeability of part shown.

↔ The part shown will work for the older and later serial number.

# The part shown is not interchangeable with the other serial number.

← new for old

→ old for new

**Remarks** → Notes about this particular part. Sometimes this may say except [FR] or [CA]

## Note about Country Codes:

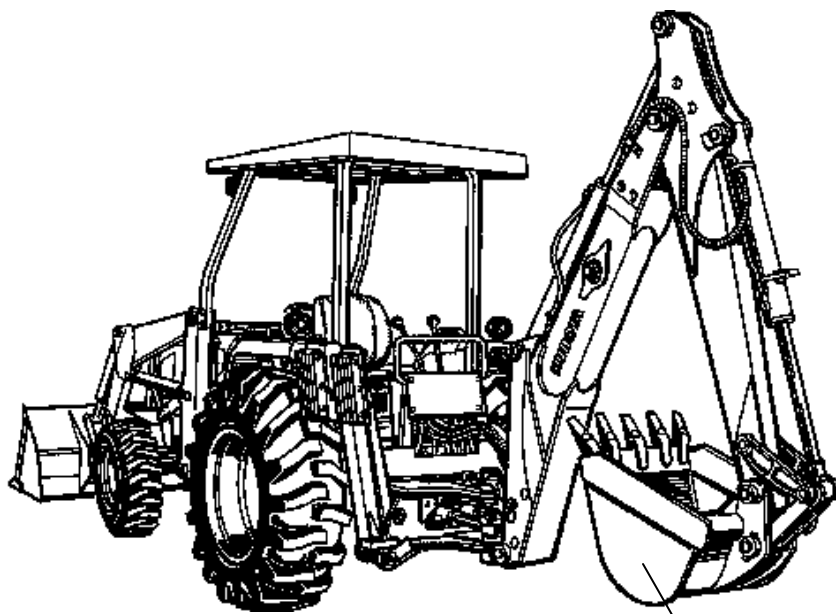
The parts books we use in the United States of America may also contain information about a part that would be different in another country. It is important that you are aware of the country codes in some instances.

Symbol	Country
A	United States of America
CA	Canada
FR	France
GR	Greece
PO	Portugal
AU	Australia

If the remarks column says for example EXCEPT [FR] this part works in all countries except France. That means it will work here in the USA.

ALL PRODUCT INDEX  
BT1100

---



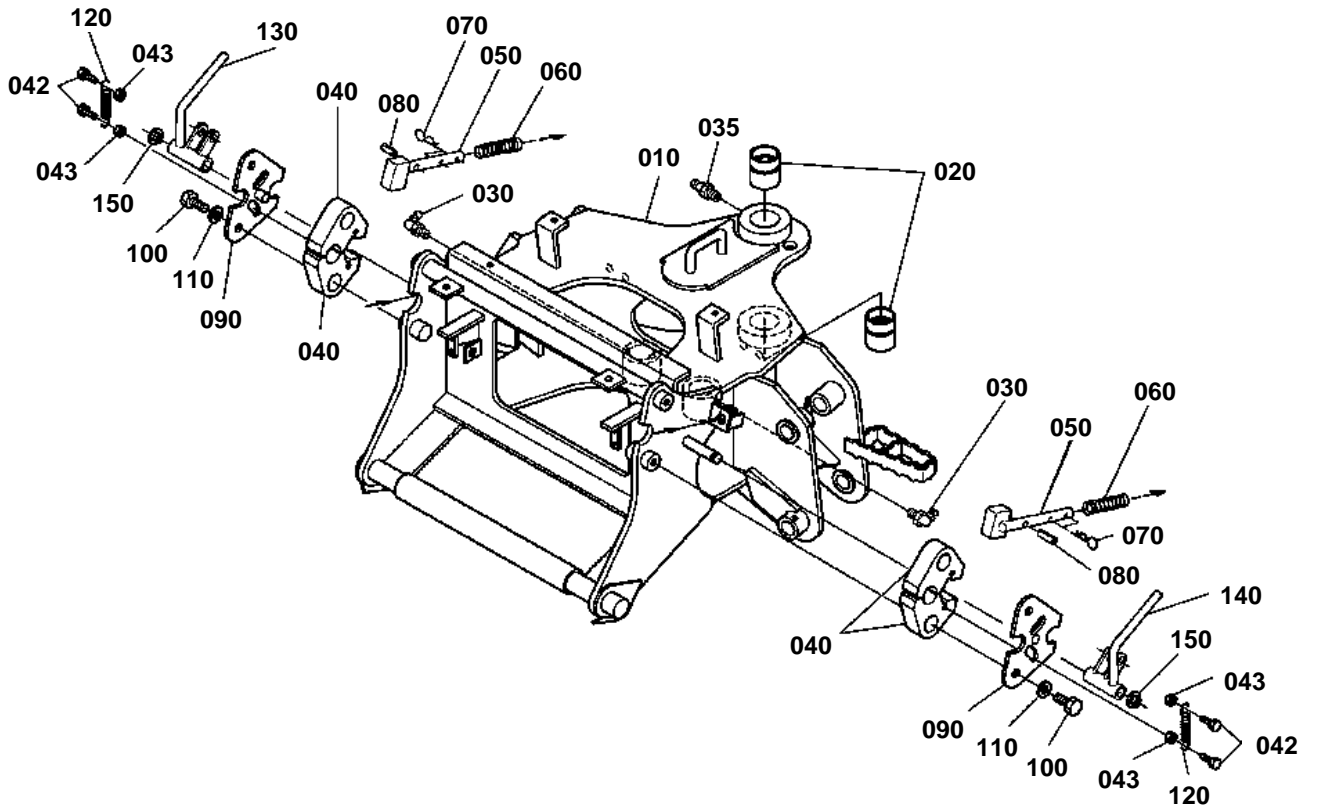
BACKHOE

ACCESSORIES

OPTION

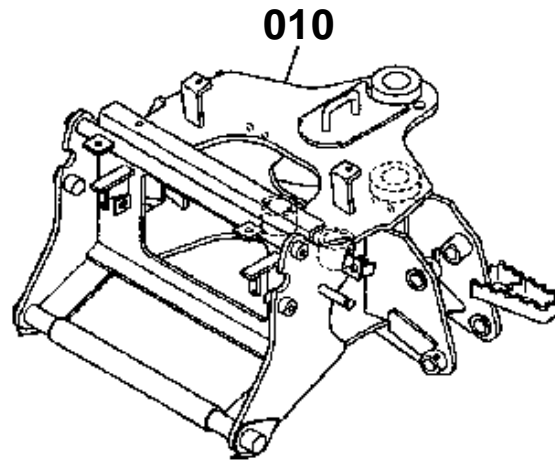
Item	Part No.	Description	Book	
BACKHOE	01A001	MAIN FRAME	100K0810	
	01A005	SWING FRAME	100K0810	
	01A010	SWING CYLINDER	100K0810	
	01A013	SWING CYLINDER [COMPONENT PARTS]	100K0810	
	01A020	BOOM	100K0810	
	01A023	BOOM CYLINDER [COMPONENT PARTS]	100K0810	
	01A030	DIPPERSTICK	100K0810	
	01A033	DIPPERSTICK CYLINDER [COMPONENT PARTS]	100K0810	
	01A040	BUCKET LINK	100K0810	
	01A043	BUCKET CYLINDER [COMPONENT PARTS]	100K0810	
	02A050	BUCKET	100K0810	
	01A060	STABILIZER ARM	100K0810	
	01A06301	STABILIZER CYLINDER LH [COMPONENT PARTS]	100K0810	
	01A06302	STABILIZER CYLINDER LH [COMPONENT PARTS]	100K0810	
	01A06501	STABILIZER CYLINDER RH [COMPONENT PARTS]	100K0810	
	01A06502	STABILIZER CYLINDER RH [COMPONENT PARTS]	100K0810	
	01A070	STEP	100K0810	
	01A100	CONTROL VALVE	100K0810	
	01A10301	CONTROL VALVE [COMPONENT PARTS]	100K0810	
	01A10302	CONTROL VALVE [COMPONENT PARTS]	100K0810	
	01A11001	HYDRAULIC HOSE (INLET/OUTLET)	100K0810	
	01A11002	HYDRAULIC HOSE (INLET/OUTLET)	100K0810	
	01A115	HYDRAULIC HOSE (SWING)	100K0810	
	01A120	HYDRAULIC HOSE (BOOM/DIPPERSTICK)	100K0810	
	01A125	HYDRAULIC HOSE (BUCKET)	100K0810	
	01A130	HYDRAULIC HOSE (STABILIZER)	100K0810	
	01A140	CONTROL LEVER 1	100K0810	
	01A145	CONTROL LEVER 2	100K0810	
	01A15001	LABEL [ENGLISH]	100K0810	
	01A15002	LABEL [FRENCH]	100K0810	
	ACCESSORIES OPTION	01A200	ACCESSORIES AND SERVICE PARTS	100K0810
		01A360	STABILIZER CYLINDER KIT [OPTION]	100K0810
		01A363	STABILIZER CYLINDER LH [COMPONENT PARTS] [OPTION]	100K0810
01A365		STABILIZER CYLINDER RH [COMPONENT PARTS] [OPTION]	100K0810	

MAIN FRAME



75597-001-11

# OLD PARTS



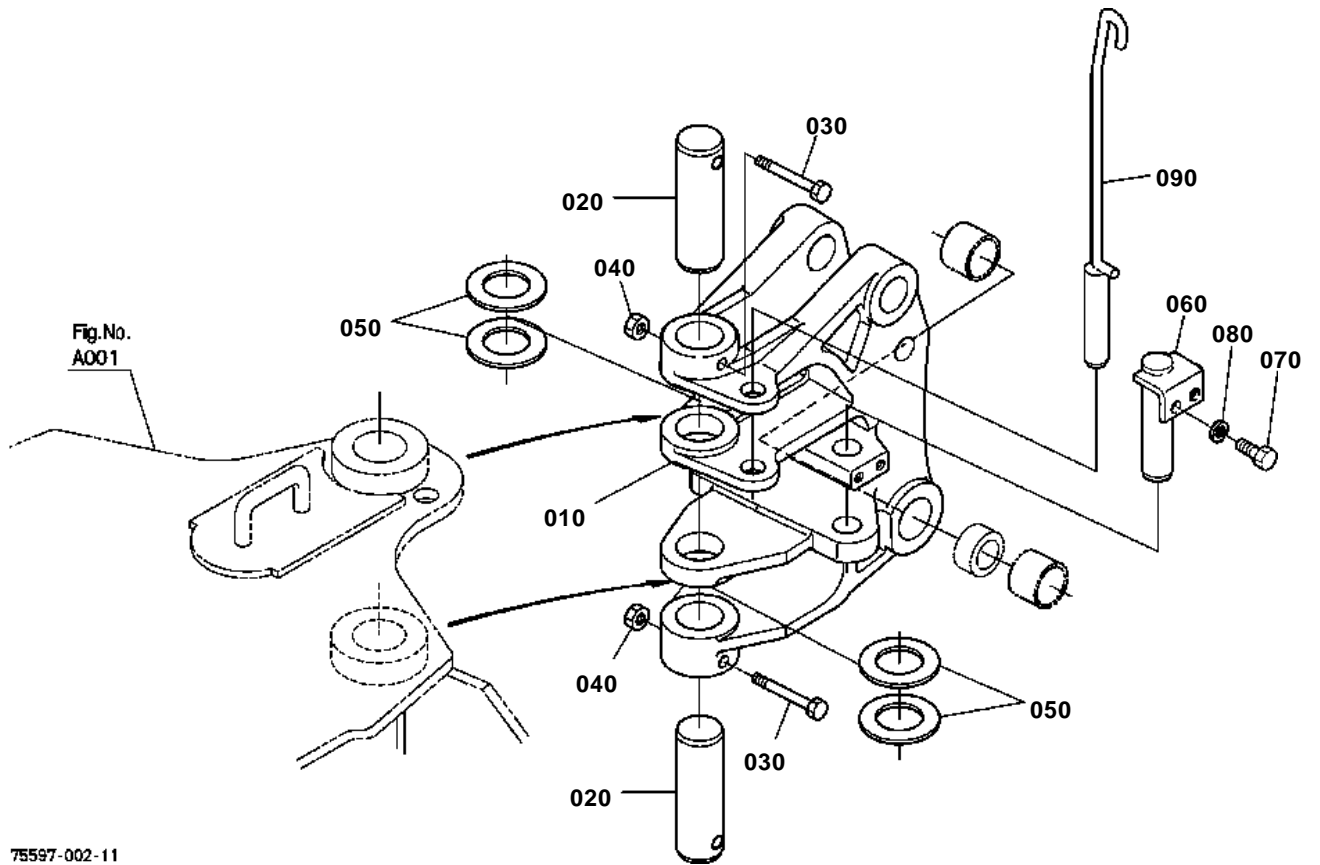
75597-800-10

**MAIN FRAME**

↔ Interchangeable; ≠ not interchangeable; ← new for old; → old for new

REF.No	Part No.	Description	Q'ty	S.No.	I/C	REMARKS	Weight (kgf)	Weight (lb)
010	75597-11010	COMP FRAME MAIN	1	<=12381			247	543.4
010	75597-11014	COMP FRAME MAIN	1	>=12832	-		0	0
020	75597-12250	BUSHING	2			(2.00*2.34)	0.185	0.407
030	75599-81541	FITTING GREASE	2			(1/8-27 45DEG)	0.01	0.022
035	75599-81530	FITTING GREASE	2			(1/8-27NPTF)	0	0
040	75595-11510	HOLDER MOUNT	4				3	6.6
042	75599-01230	HEX.BOLT	4			(5/16-18UNC*1-1/2)	0.017	0.0374
043	75599-31012	NUT	4			(5/16-18UNC)	0.007	0.0154
050	75595-11520	PIN SET	2				0.65	1.43
060	75595-11540	SPRING	2				0.06	0.132
070	75595-11550	PIN SPRING LOCK	2				0.015	0.033
080	75599-52735	PIN SPRING	2			(5/16*1-3/4)	0.011	0.0242
090	75595-11560	COMP.PLATE HOLDER	2				1.07	2.354
100	75599-04725	HEX.BOLT	4			(5/8-18UNF*1-1/4)	0.078	0.1716
110	75599-33017	WASHER SPRING LOCK	4			(5/8)	0.005	0.011
120	75595-11570	SPRING	2				0.02	0.044
130	75596-11610	LEVER LH	1				0.85	1.87
140	75596-11620	LEVER RH	1				0.88	1.936
150	75599-41525	CIR-CLIP EXTERNAL	2			(3/4)	0.001	0.0022

SWING FRAME





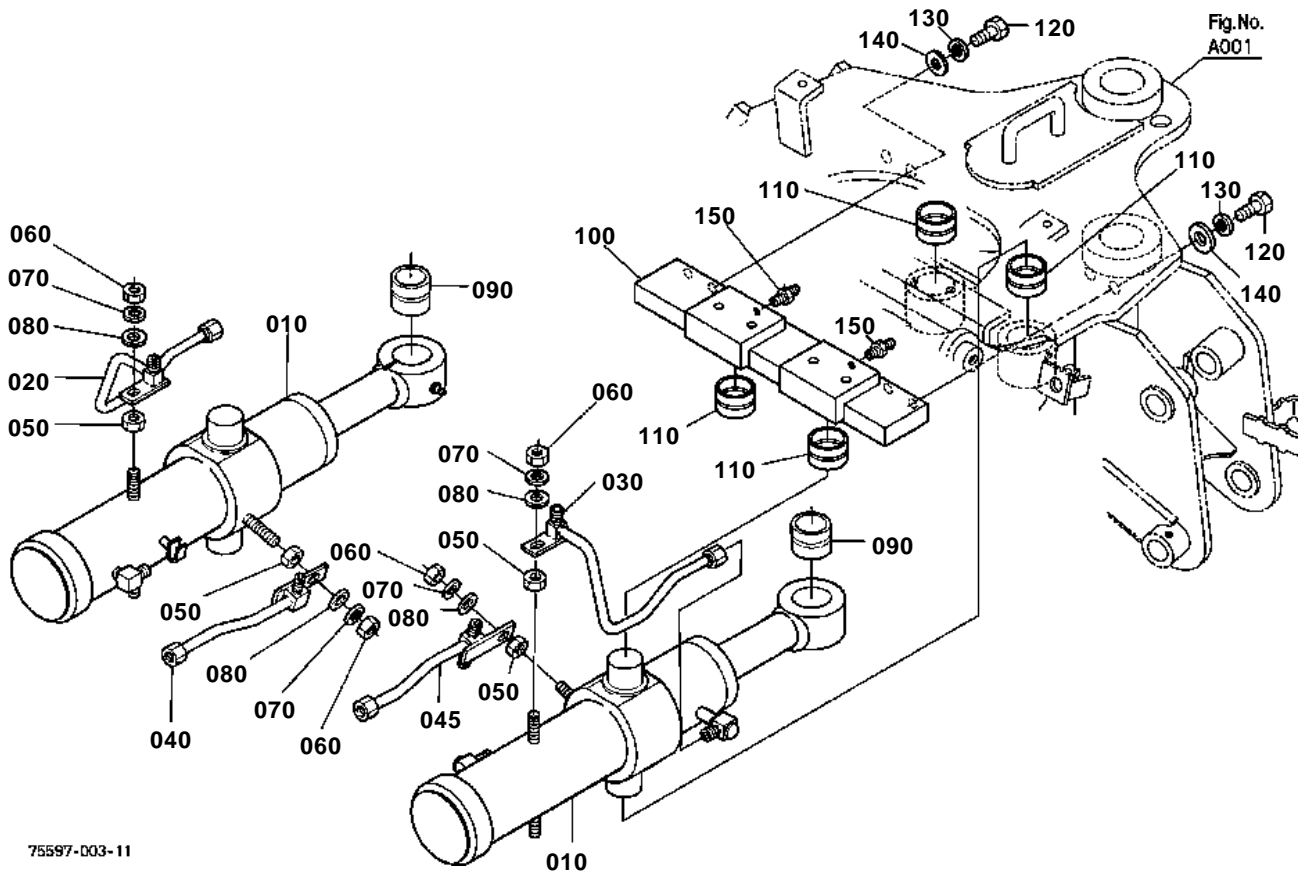
## SWING FRAME

↔ Interchangeable; ≠ not interchangeable; ← new for old; → old for new

REF.No	Part No.	Description	Q'ty	S.No.	I/C	REMARKS	Weight (kgf)	Weight (lb)
010	75597-12112	FRAME SWING	1				55	121
020	75597-12210	PIN	2			(2.00*6.60)	1.7	3.74
030	75599-04790	HEX.BOLT	2			(5/8-18UNF*4-1/2)	0.2	0.44
040	75599-31927	NUT LOCKING	2			(5/8-18UNF)	0.036	0.0792
050	75597-12260	COLLAR THRUST	4				0.09	0.198
060	75595-14150	PIN	2			(1.25*5.25)	0	0
070	75599-04312	HEX.BOLT	4			(3/8-24UNF*5/8)	0.016	0.0352
080	75599-33013	WASHER SPRING	4			(3/8)	0.006	0.0132
090	75597-14210	PIN LOCK	1				0.76	1.672



# SWING CYLINDER



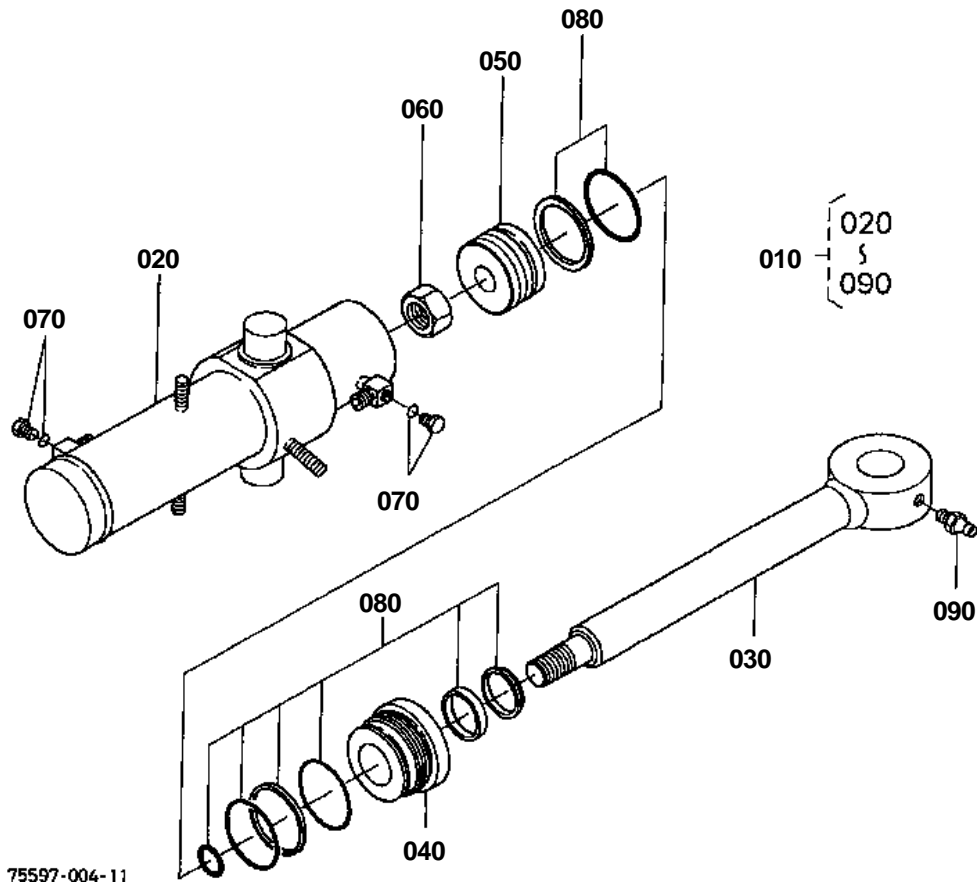
75597-003-11

**SWING CYLINDER**

↔ Interchangeable; ≠ not interchangeable; ← new for old; → old for new

REF.No	Part No.	Description	Q'ty	S.No.	I/C	REMARKS	Weight (kgf)	Weight (lb)
010	75597-13012	ASSY CYLINDER SWING	2				16	35.2
020	75595-13060	ASSY TUBE HYDRAULIC	1				0.16	0.352
030	75595-13070	ASSY TUBE HYDRAULIC	1				0.12	0.264
040	75595-13080	ASSY TUBE HYDRAULIC	1				0.22	0.484
045	75595-13090	ASSY TUBE HYDRAULIC	1				0.25	0.55
050	75599-31033	HEX.JAM NUT	4			(3/8-16UNC)	0.004	0.0088
060	75599-31013	NUT	4				0.006	0.0132
070	75599-33013	WASHER SPRING	4			(3/8)	0.006	0.0132
080	75599-32013	WASHER PLAIN	4			(3/8)	0.03	0.066
090	75595-13410	BUSHING	2			(1.25*2.0)	0.2	0.44
100	75597-14100	SUPPORT CYLINDER	1				10	22
110	75597-14120	BUSHING	4	<=10003		(1.75*1.25)	0	0
110	75597-14122	BUSHING	4	>=10004	-	(1.75*1.25)	0.17	0.374
120	75599-04740	HEX.BOLT	4			(5/8-18UNF*2)	0.104	0.2288
130	75599-33017	WASHER SPRING LOCK	4			(5/8)	0.005	0.011
140	75599-32517	WASHER PLAIN	4			(5/8HD)	0.016	0.0352
150	75599-81531	FITTING GREASE	2			(1/8-27NPTF)	0.007	0.0154

SWING CYLINDER [COMPONENT PARTS]



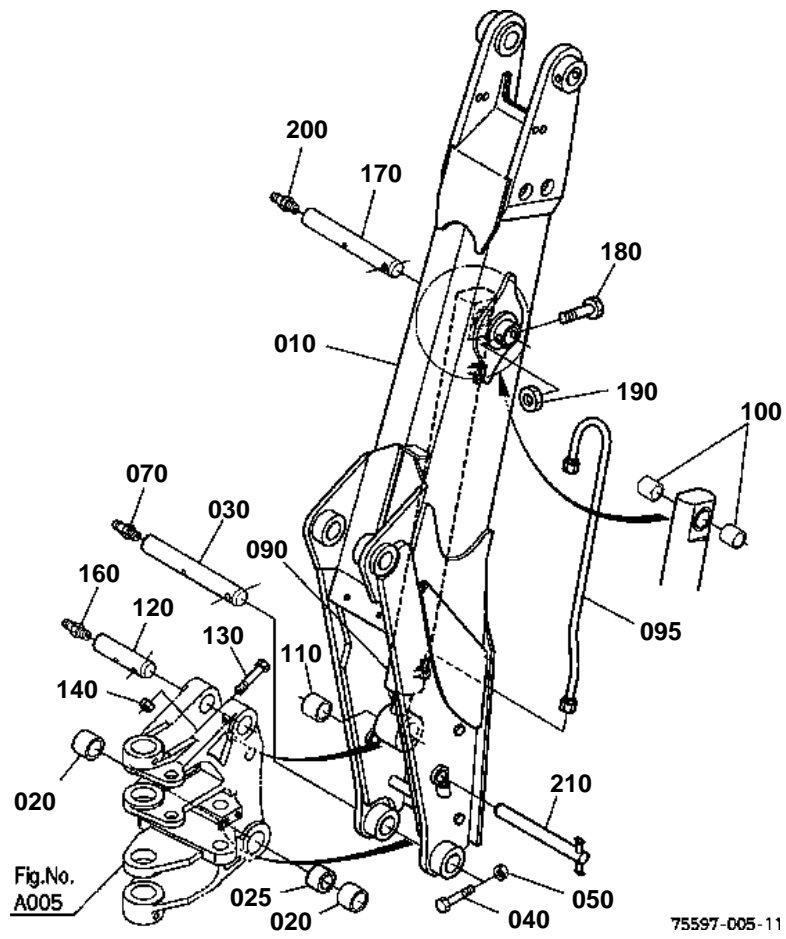


## SWING CYLINDER [COMPONENT PARTS]

↔ Interchangeable; ≠ not interchangeable; ← new for old; → old for new

REF.No	Part No.	Description	Q'ty	S.No.	I/C	REMARKS	Weight (kgf)	Weight (lb)
010	75597-13012	ASSY CYLINDER SWING	2				16	35.2
020	75597-13030	COMP.TUBE SWING	2				0	0
030	75595-14050	COMP.ROD SWING	2				4.7	10.34
040	75595-14310	HEAD	2				1.1	2.42
050	75595-15210	PISTON	2				0.86	1.892
060	75595-13260	NUT	2				0.11	0.242
070	75597-13270	PLUG	4				0.035	0.077
080	75595-14300	KIT SEAL	2				0.035	0.077
090	75599-81531	FITTING GREASE	2			(1/8-27NPTF)	0.007	0.0154

BOOM

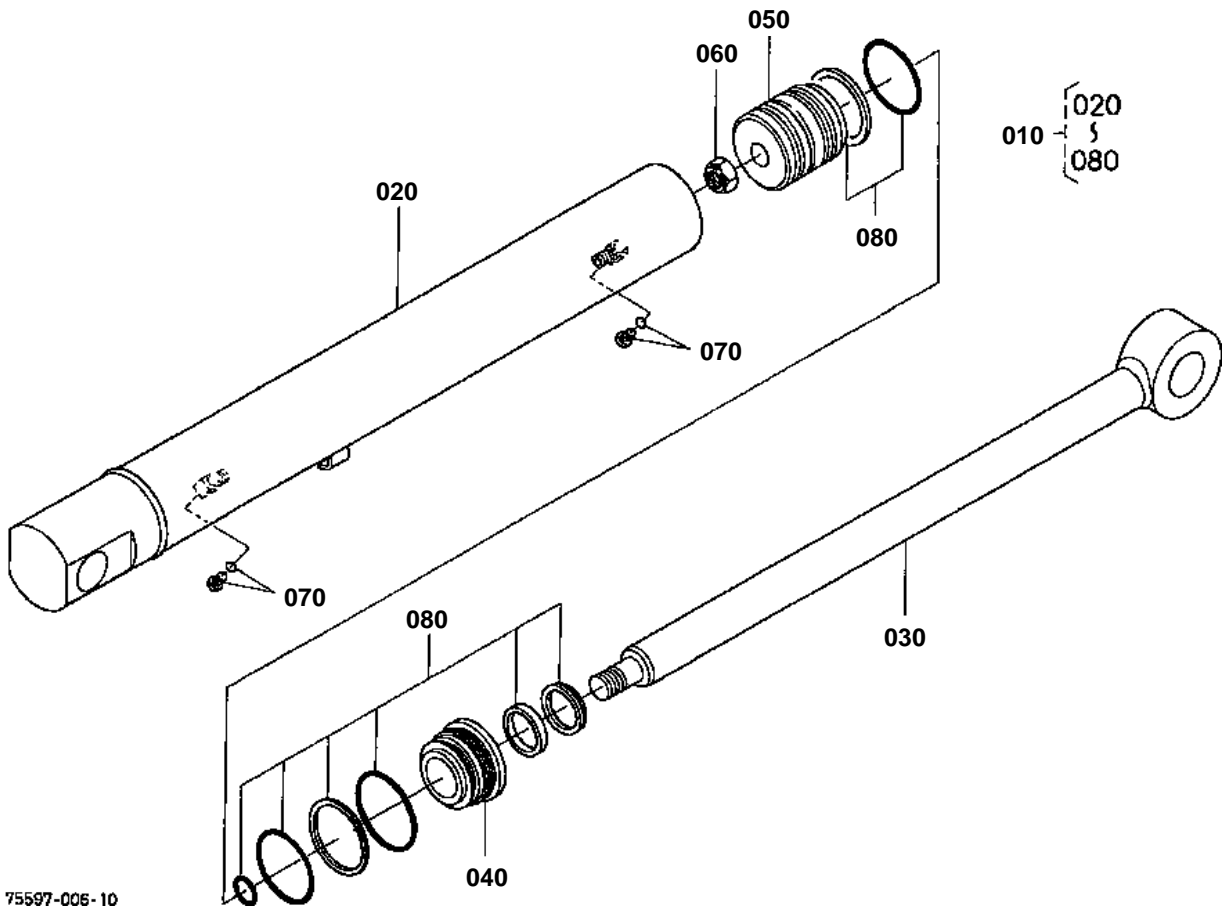


**BOOM**

↔ Interchangeable; ≠ not interchangeable; ← new for old; → old for new

REF.No	Part No.	Description	Q'ty	S.No.	I/C	REMARKS	Weight (kgf)	Weight (lb)
010	75597-21010	COMP BOOM	1	<=10003			0	0
010	75597-21013	COMP BOOM	1	>=10004	↔		0	0
010	75597-21014	COMP BOOM	1	>=10005	↔		0	0
020	75597-21450	BUSHING	2			(1.75*2.00)	0.24	0.528
025	75597-21460	COLLAR SWING	1				0.247	0.5434
030	75597-21510	PIN	1			(1.75*10.27)	2.3	5.06
040	75599-04575	HEX.BOLT	1			(1/2-20UNF*3-3/4)	0.11	0.242
050	75599-31925	NUT LOCKING	1			(1/2-20UNF)	0.02	0.044
060	99999-99999	BLANK	0				0	0
070	75599-81531	FITTING GREASE	1			(1/8-27NPTF)	0.007	0.0154
080	99999-99999	BLANK	0				0	0
090	75597-22010	ASSY CYLINDER BOOM	1				39.4	86.68
095	75597-22060	ASSY TUBE HYDRAULIC	1				0.282	0.6204
100	75597-22410	BUSHING	2			(1.75*1.38)	0.2	0.44
110	75597-21450	BUSHING	1			(1.75*2.00)	0.24	0.528
120	75597-23110	PIN	1			(1.75*5.60)	1.61	3.542
130	75599-04580	HEX.BOLT	1			(1/2-20UNF*4)	0.12	0.264
140	75599-31925	NUT LOCKING	1			(1/2-20UNF)	0.02	0.044
150	99999-99999	BLANK	0				0	0
160	75599-81531	FITTING GREASE	1			(1/8-27NPTF))	0.007	0.0154
170	75597-23150	PIN	1			(1.75*8.75)	2.55	5.61
180	75599-04560	HEX.BOLT	1			(1/2-20UNF*3)	0.09	0.198
190	75599-31925	NUT LOCKING	1			(1/2-20UNF)	0.02	0.044
200	75599-81531	FITTING GREASE	1			(1/8-27NPTF))	0.007	0.0154
210	75597-14220	PIN LOCK	1				1.05	2.31

BOOM CYLINDER [COMPONENT PARTS]



75597-006-10



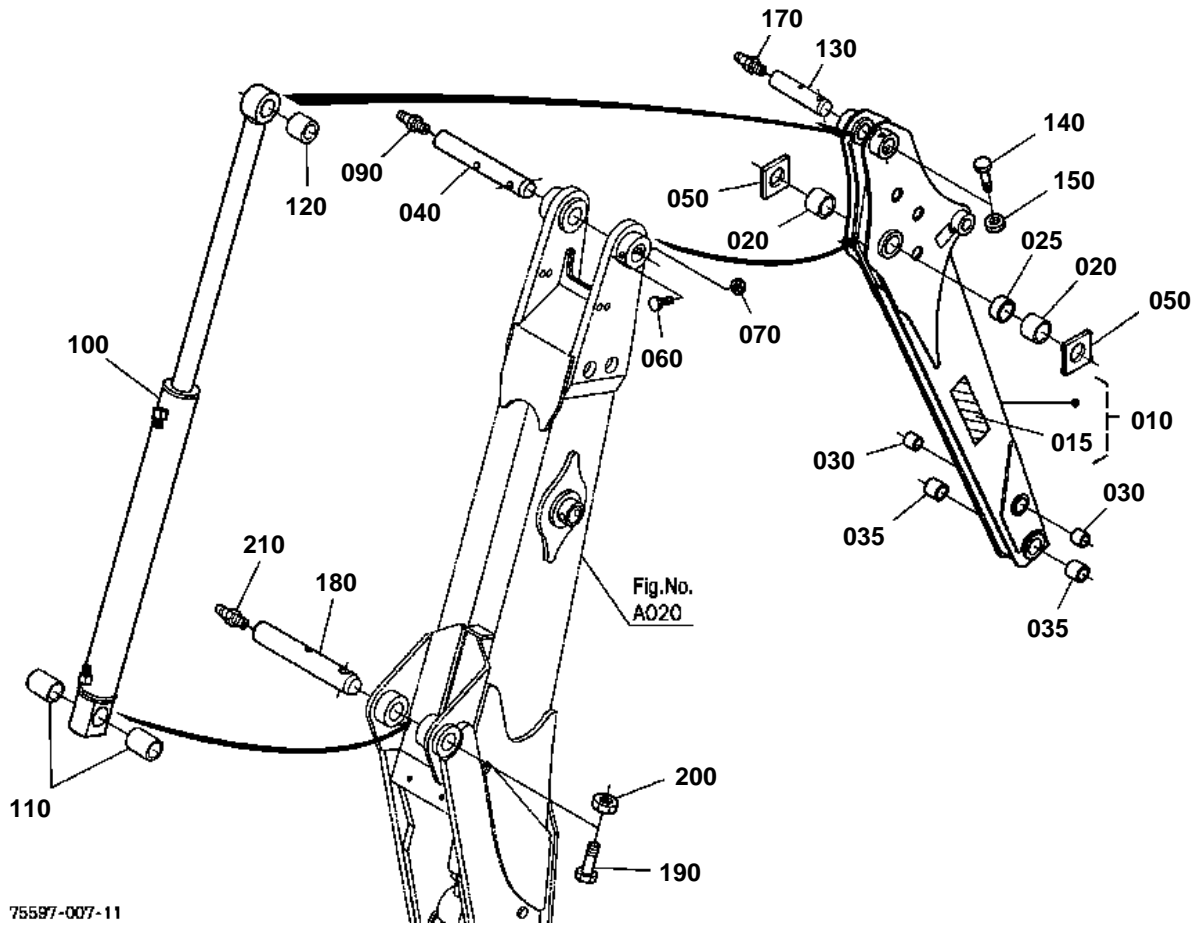
## BOOM CYLINDER [COMPONENT PARTS]

↔ Interchangeable; ≠ not interchangeable; ← new for old; → old for new

REF.No	Part No.	Description	Q'ty	S.No.	I/C	REMARKS	Weight (kgf)	Weight (lb)
010	75597-22010	ASSY CYLINDER BOOM	1				39.4	86.68
020	75597-22030	COMP.TUBE BOOM	1				30	66
030	75597-22050	COMP.ROD BOOM	1				12	26.4
040	75597-22110	HEAD	1			(3.25*1.75)	1.86	4.092
050	75597-22210	PISTON	1			(3.25*1.13)	2.6	5.72
060	75597-22250	NUT	1				0.158	0.3476
070	75540-63490	PLUG	2				0.001	0.0022
080	75597-22300	KIT SEAL	1				0.06	0.132



DIPPERSTICK



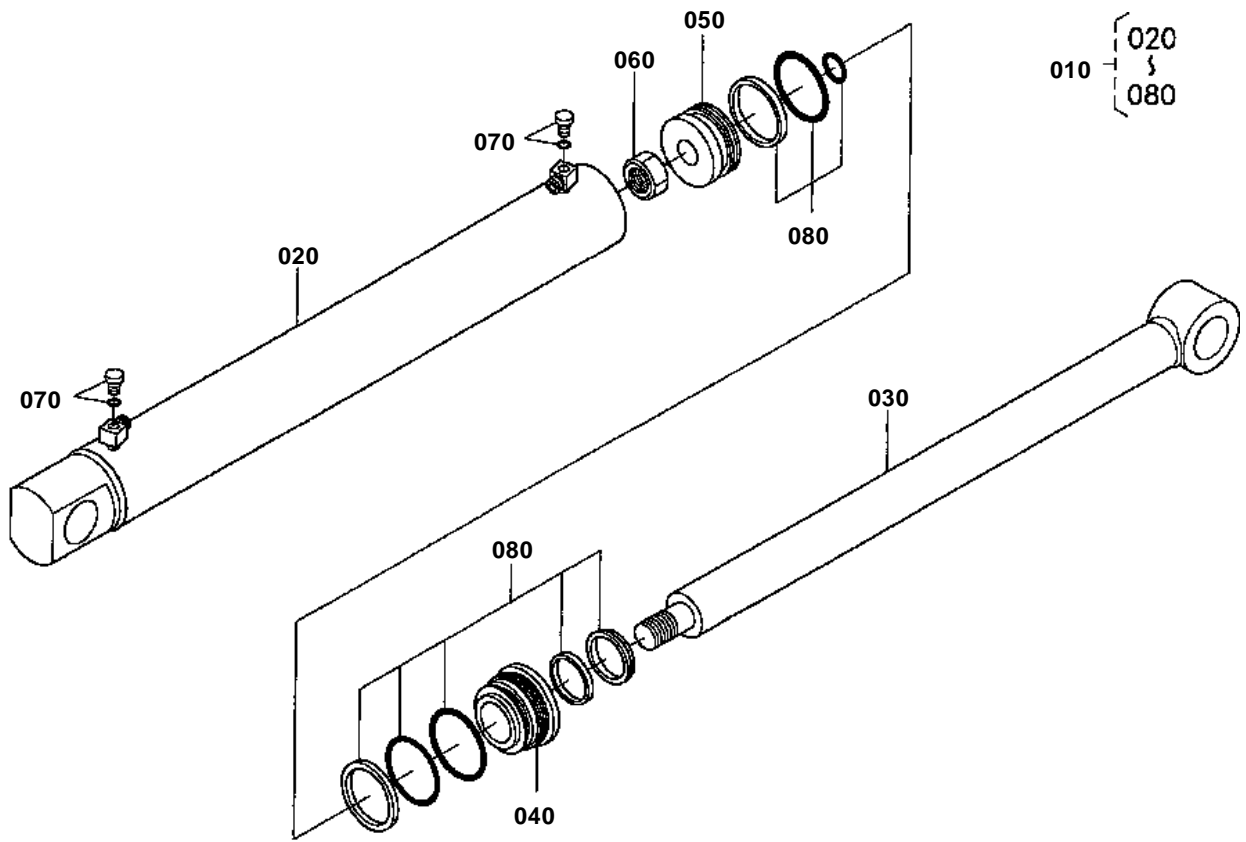


DIPPERSTICK

↔ Interchangeable; ≠ not interchangeable; ← new for old; → old for new

REF.No	Part No.	Description	Q'ty	S.No.	I/C	REMARKS	Weight (kgf)	Weight (lb)
010	75597-90120	DIPPERSTICK(LABEL)	1	<=11790			0	0
010	75597-90122	DIPPERSTICK(LABEL)	1	>=11791	-		0	0
010	75597-90123	DIPPERSTICK(LABEL)	1	>=12022	-		0	0
015	75597-75170	LABEL DANGER	2	<=11790			0	0
015	75597-75172	LABEL DANGER	2	>=11791	-		0.006	0.0132
015	75595-75170	LABEL 1 WARNING	2	>=12022	-		0.004	0.0088
020	75597-21450	BUSHING	2			(1.75*2.00)	0.24	0.528
025	75597-33140	COLLAR ARM	1				0.135	0.297
030	75595-33130	BUSHING	2			(1.25*2.0)	0.2	0.44
035	75595-21450	BUSHING	2			(1.50*2.0)	0.24	0.528
040	75597-21510	PIN	1			(1.75*10.27)	2.3	5.06
050	75597-31550	SPACER	2				0.1	0.22
050	75597-99550	SPASER(MMOVER)	2			OPTION	0	0
060	75599-04575	HEX.BOLT	1			(1/2-20UNF*3-3/4)	0.11	0.242
070	75599-31925	NUT LOCKING	1			(1/2-20UNF)	0.02	0.044
080	99999-99999	BLANK	0				0	0
090	75599-81531	FITTING GREASE	1			(1/8-27NPTF)	0.007	0.0154
100	75597-32012	ASSY CYLINDER DIPPER	1				32.5	71.5
110	75597-22410	BUSHING	2			(1.75*1.38)	0.2	0.44
120	75597-33130	BUSHING	1			(1.75*2.50)	0.355	0.781
130	75597-33110	PIN	1			(1.75*6.86)	1.995	4.389
140	75599-04575	HEX.BOLT	1			(1/2-20UNF*3-3/4)	0.11	0.242
150	75599-31925	NUT LOCKING	1			(1/2-20UNF)	0.02	0.044
160	99999-99999	BLANK	0				0	0
170	75599-81531	FITTING GREASE	1			(1/8-27NPTF)	0.007	0.0154
180	75597-33150	PIN	1			(1.75*7.84)	2.306	5.0732
190	75599-04575	HEX.BOLT	1			(1/2-20UNF*3-3/4)	0.11	0.242
200	75599-31925	NUT LOCKING	1			(1/2-20UNF)	0.02	0.044
210	75599-81531	FITTING GREASE	1			(1/8-27NPTF)	0.007	0.0154

DIPPERSTICK CYLINDER [COMPONENT PARTS]



75597-008-10

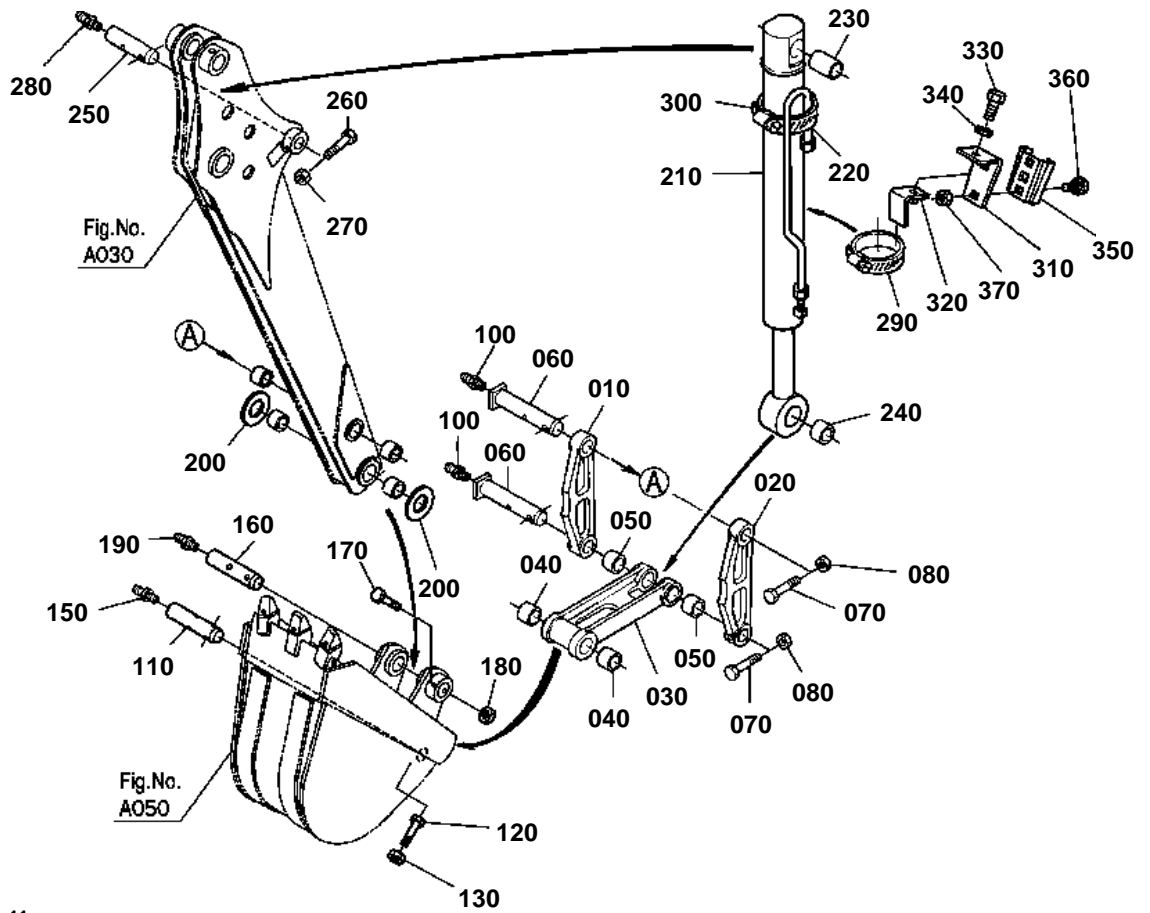


## DIPPERSTICK CYLINDER [COMPONENT PARTS]

↔ Interchangeable; ≠ not interchangeable; ← new for old; → old for new

REF.No	Part No.	Description	Q'ty	S.No.	I/C	REMARKS	Weight (kgf)	Weight (lb)
010	75597-32012	ASSY CYLINDER DIPPER	1				32.5	71.5
020	75597-32030	COMP.TUBE DIPPER	1				16.15	35.53
030	75597-32050	COMP.ROD DIPPER	1				15	33
040	75597-32110	HEAD	1			(3.25*2.00)	2	4.4
050	75597-32210	PISTON	1			(3.25*1.13)	0.85	1.87
060	75597-32250	NUT	1				0	0
070	75540-63490	PLUG	2				0.001	0.0022
080	75597-32302	KIT SEAL	1			(3.25*2.00)	0.06	0.132

BUCKET LINK



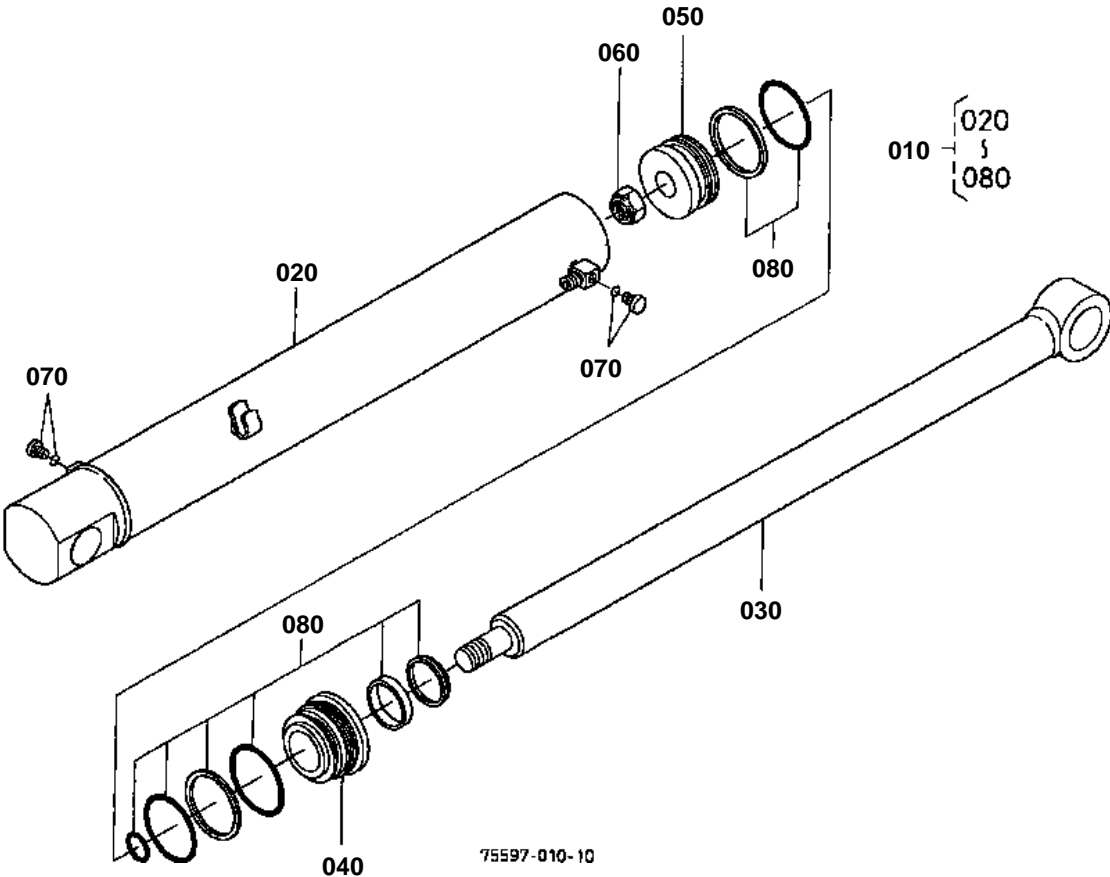
75597-009-11

**BUCKET LINK**

↔ Interchangeable; ≠ not interchangeable; ← new for old; → old for new

REF.No	Part No.	Description	Q'ty	S.No.	I/C	REMARKS	Weight (kgf)	Weight (lb)
010	75595-41110	LINK 1 GUIDE	1				3.67	8.074
020	75595-41150	LINK 1 GUIDE	1				3.7	8.14
030	75595-41210	LINK BUCKET	1				5.2	11.44
040	75595-33130	BUSHING	2			(1.25*2.0)	0.2	0.44
050	75595-41220	BUSHING	2			(1.25*1.25)	0.15	0.33
060	75595-42610	PIN	2			(1.25*7.70)	1.175	2.585
070	75599-04360	HEX.BOLT	2			(3/8-24UNF*3)	0.05	0.11
080	75599-31923	NUT LOCKING	2			(3/8-24UNF)	0.007	0.0154
090	99999-99999	BLANK	0				0	0
100	75599-81531	FITTING GREASE	2			(1/8-27NPTF)	0.007	0.0154
110	75595-42620	PIN	1			(1.25*8.82)	1.275	2.805
120	75599-04365	HEX.BOLT	1			(3/8-24UNF*3-1/4)	0.05	0.11
130	75599-31923	NUT LOCKING	1			(3/8-24UNF)	0.007	0.0154
140	99999-99999	BLANK	0				0	0
150	75599-81531	FITTING GREASE	1			(1/8-27NPTF)	0.007	0.0154
160	75597-42620	PIN	1			(1.50*9.04)	1.94	4.268
170	75599-04370	HEX.BOLT	1			(3/8-24UNF*3-1/2)	0.054	0.1188
180	75599-31923	NUT LOCKING	1			(3/8-24UNF)	0.007	0.0154
190	75599-81531	FITTING GREASE	1			(1/8-27NPTF)	0.007	0.0154
200	75597-42630	COLLAR BUCKET	2				0.77	1.694
210	75597-43012	ASSY CYLINDER BUCKET	1				27.2	59.84
220	75597-43060	ASSY TUBE HYDRAULIC	1				0.35	0.77
230	75595-33120	BUSHING	1			(1.25*2.5)	0.26	0.572
240	75595-33130	BUSHING	1			(1.25*2.0)	0.2	0.44
250	75597-43150	PIN	1			(1.25*7.05)	0.52	1.144
260	75599-04365	HEX.BOLT	1			(3/8-24UNF*3-1/4)	0.05	0.11
270	75599-31923	NUT LOCKING	1			(3/8-24UNF)	0.007	0.0154
280	75599-81531	FITTING GREASE	1			(1/8-27NPTF)	0.007	0.0154
290	75595-43510	CLAMP HOSE	1				0.04	0.088
300	75597-43510	CLAMP HOSE	1				0.04	0.088
310	75590-44210	CLAMP 1 SMV MARK	1				0.145	0.319
320	75590-44220	CLAMP 1 SMV MARK	1				0.07	0.154
330	75599-02315	HEX.BOLT	1			(3/8-24UNF*3/4)	0.017	0.0374
340	75599-33013	WASHER SPRING	1			(3/8)	0.006	0.0132
350	7L500-89930	SOCKET-MTG SMV	1		>=12022		0.05	0.11
360	7L500-89810	BOLT SQUARE NECK	2		>=12022	(5/16*16)	0.011	0.0242
370	75599-31012	NUT	2		>=12022	(5/16-18UNC)	0.007	0.0154

BUCKET CYLINDER [COMPONENT PARTS]





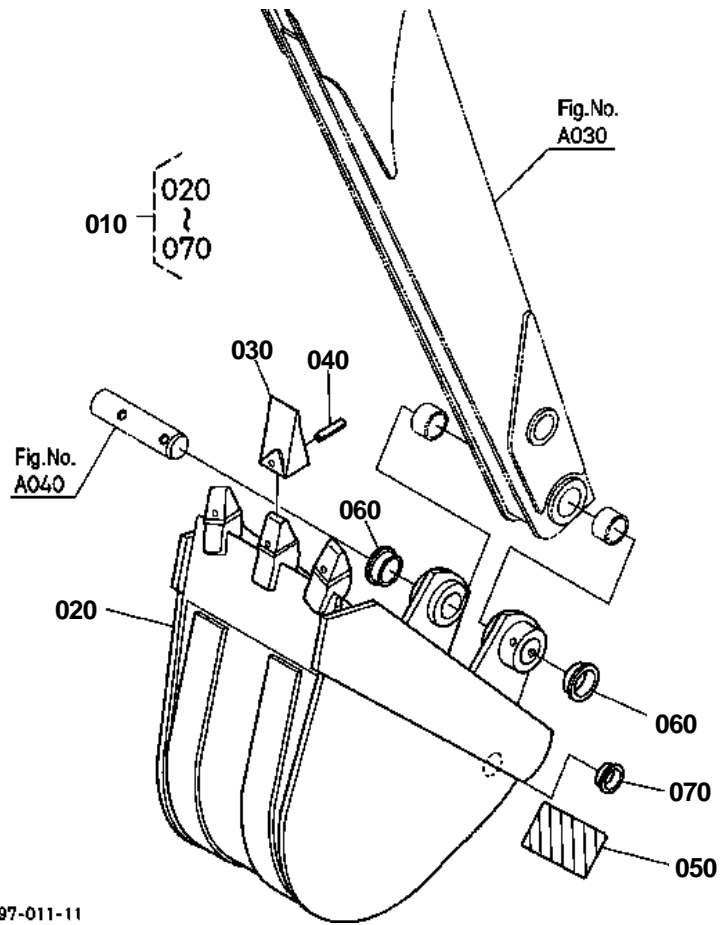
## BUCKET CYLINDER [COMPONENT PARTS]

↔ Interchangeable; ≠ not interchangeable; ← new for old; → old for new

REF.No	Part No.	Description	Q'ty	S.No.	I/C	REMARKS	Weight (kgf)	Weight (lb)
010	75597-43012	ASSY CYLINDER BUCKET	1				27.2	59.84
020	75597-43030	COMP.TUBE BUCKET	1				13	28.6
030	75597-43050	COMP.ROD BUCKET	1				8.5	18.7
040	75597-43110	HEAD	1			(3.00*2.00)	1.14	2.508
050	75597-43210	PISTON	1			(3.00*1.00)	0.7	1.54
060	75597-43250	NUT	1				0	0
060	75597-22250	NUT	1		«		0.158	0.3476
070	75540-63490	PLUG	2				0.001	0.0022
080	75597-43302	KIT SEAL	1			(3.00*2.00)	0.06	0.132



BUCKET

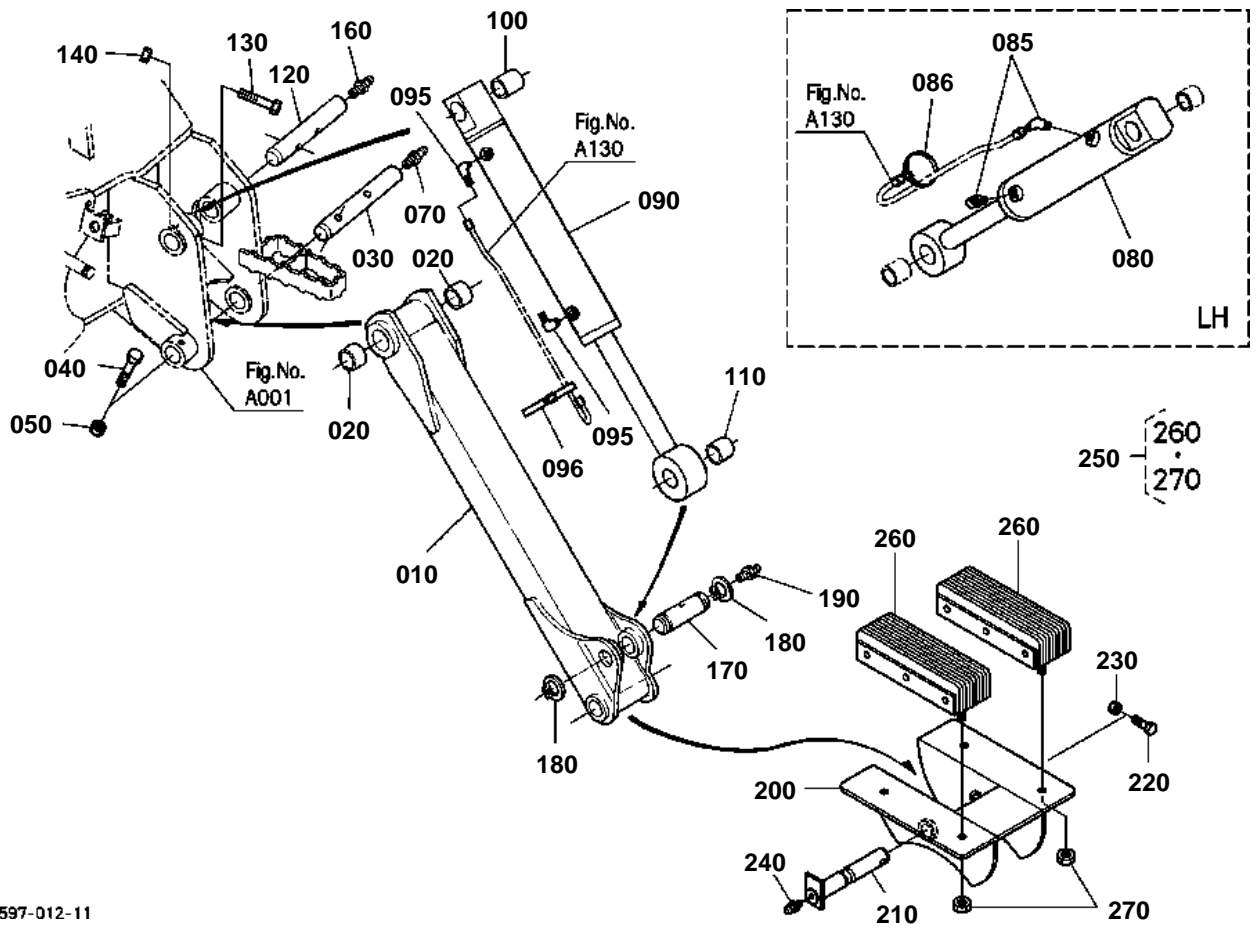


**BUCKET**

↔ Interchangeable; ≠ not interchangeable; ← new for old; → old for new

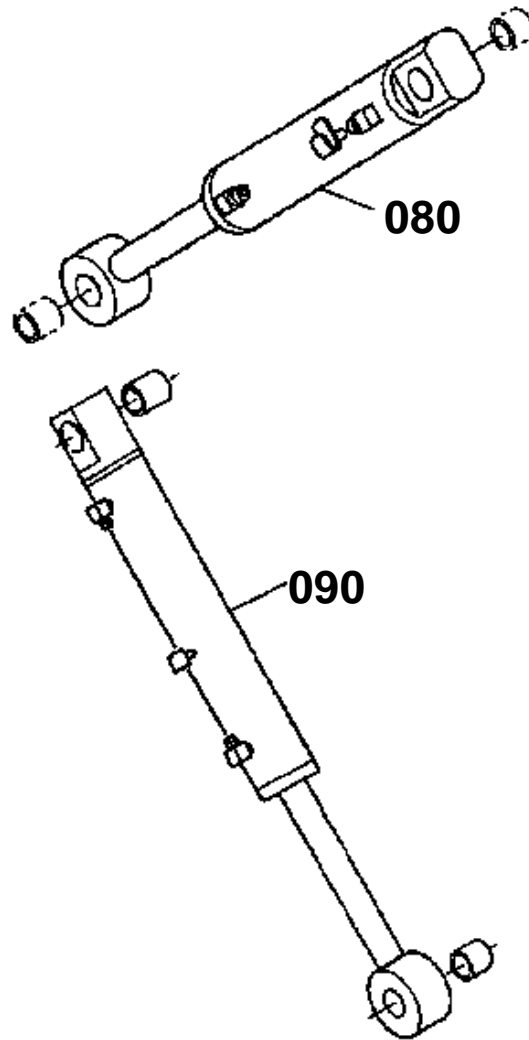
REF.No	Part No.	Description	Q'ty	S.No.	I/C	REMARKS	Weight (kgf)	Weight (lb)
010	75597-42200	ASSY BUCKET12(BT2911	1				0	0
010	75597-42300	ASSY BUCKET16(BT2912	1				0	0
010	75597-42700	ASSY BUCKET18(BT2913	1				0	0
010	75597-42400	ASSY BUCKET24(BT2914	1				0	0
010	75597-42500	ASSY BUCKET30(BT2915	1				0	0
010	75597-42600	ASSY BUCKET36(BT2916	1				0	0
020	75597-42020	BUCKET 12	1				0	0
020	75597-42030	BUCKET 16	1				0	0
020	75597-42070	BUCKET 18	1				0	0
020	75597-42040	BUCKET 24	1				0	0
020	75597-42050	BUCKET 30	1				0	0
020	75597-42060	BUCKET 36	1				0	0
030	75595-42830	TEETH	3			BUCKET 12	0.19	0.418
030	75595-42830	TEETH	4			BUCKET 16	0.19	0.418
030	75595-42830	TEETH	4			BUCKET 18	0.19	0.418
030	75595-42830	TEETH	5			BUCKET 24	0.19	0.418
030	75595-42830	TEETH	6			BUCKET 30	0.19	0.418
030	75595-42830	TEETH	7			BUCKET 36	0.19	0.418
040	75599-55640	PIN SPRING COILED	3			BUCKET 12	0.02	0.044
040	75599-55640	PIN SPRING COILED	4			BUCKET 16	0.02	0.044
040	75599-55640	PIN SPRING COILED	4			BUCKET 18	0.02	0.044
040	75599-55640	PIN SPRING COILED	5			BUCKET 24	0.02	0.044
040	75599-55640	PIN SPRING COILED	6			BUCKET 30	0.02	0.044
040	75599-55640	PIN SPRING COILED	7			BUCKET 36	0.02	0.044
050	99999-99999	LABEL MODEL	1			BUCKET 12	0	0
050	99999-99999	LABEL MODEL	1			BUCKET 16	0	0
050	99999-99999	LABEL MODEL	1			BUCKET 18	0	0
050	99999-99999	LABEL MODEL	1			BUCKET 24	0	0
050	99999-99999	LABEL MODEL	1			BUCKET 30	0	0
050	99999-99999	LABEL MODEL	1			BUCKET 36	0	0
060	75597-42580	CAP	2				0.008	0.0176
070	75595-42580	CAP	2				0.003	0.0066

STABILIZER ARM



75597-012-11

OLD PARTS



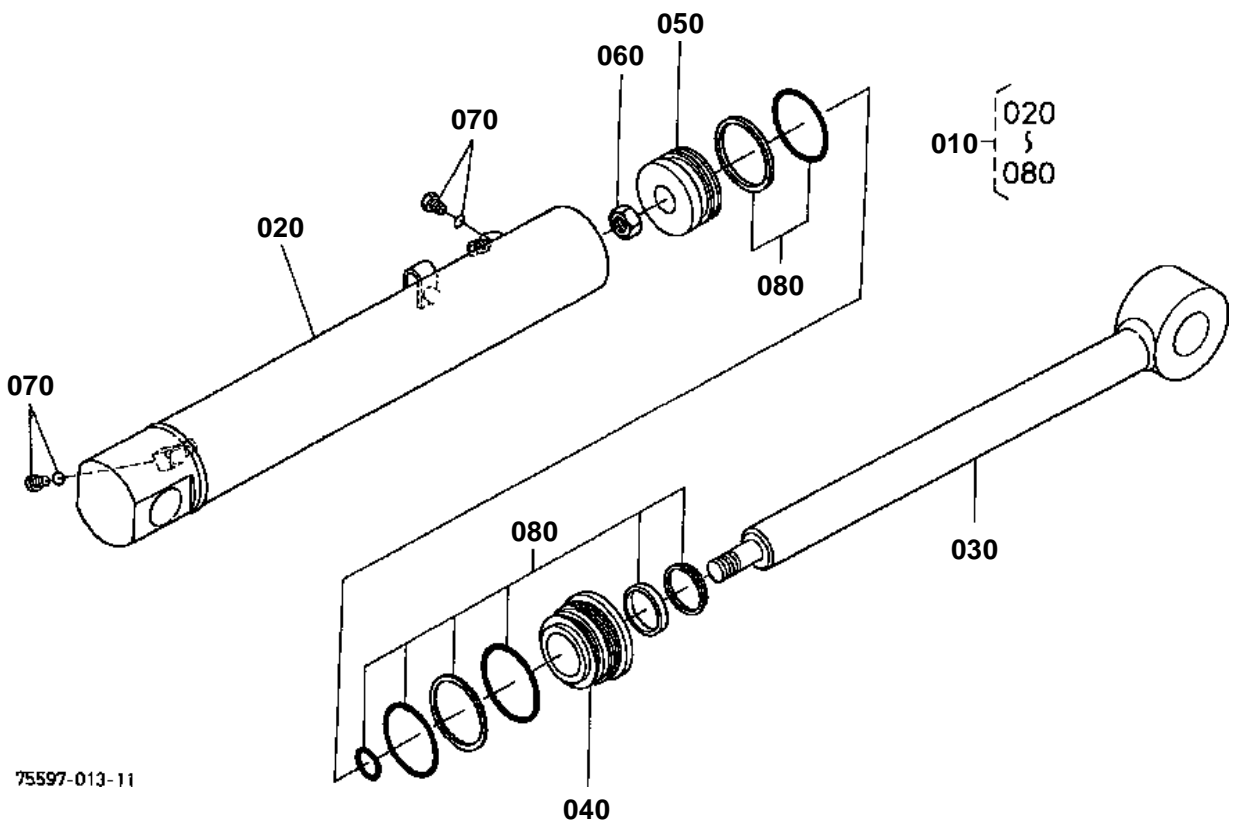
75597-801-10

**STABILIZER ARM**

↔ Interchangeable; ≠ not interchangeable; ← new for old; → old for new

REF.No	Part No.	Description	Q'ty	S.No.	I/C	REMARKS	Weight (kgf)	Weight (lb)
010	75595-51010	ARM STABILIZER	2				23.5	51.7
020	75595-33130	BUSHING	4			(1.25*2.0)	0.2	0.44
030	75595-42620	PIN	2			(1.25*8.82)	1.275	2.805
040	75599-04355	HEX.BOLT	2			(3/8-24UNF*2-3/4)	0.044	0.0968
050	75599-31923	NUT LOCKING	2			(3/8-24UNF)	0.007	0.0154
060	99999-99999	BLANK	0				0	0
070	75599-81531	FITTING GREASE	2			(1/8-27NPTF))	0.007	0.0154
080	75595-53013	ASSY CYLINDER LH STA	1	≤12381			11	24.2
080	75597-52010	ASSY CYLINDER LH STA	1	≥12382	→		0	0
085	K6072-63660	ADAPTER	2	≥12382			0.043	0.0946
086	75595-43510	CLAMP HOSE	1	≥12382			0.04	0.088
090	75595-53023	ASSY CYLINDER RH STA	1	≤12381			9	19.8
090	75597-52020	ASSY CYLINDER RH STA	1	≥12382	→		0	0
095	K6072-63660	ADAPTER	2	≥12382			0.043	0.0946
096	75595-43510	CLAMP HOSE	1	≥12382			0.04	0.088
100	75595-33120	BUSHING	2			(1.25*2.5)	0.26	0.572
110	75595-33130	BUSHING	2			(1.25*2.0)	0.2	0.44
120	75595-53110	PIN	2			(1.25*7.57)	0.38	0.836
130	75599-04355	HEX.BOLT	2			(3/8-24UNF*2-3/4)	0.044	0.0968
140	75599-31923	NUT LOCKING	2			(3/8-24UNF)	0.007	0.0154
150	99999-99999	BLANK	0				0	0
160	75599-81531	FITTING GREASE	2			(1/8-27NPTF)	0.007	0.0154
170	75595-53150	PIN	2			(1.25*4.66)	0.28	0.616
180	75599-41535	CIR-CLIP EXTERNAL	4			(1-1/4)	0.004	0.0088
190	75599-81531	FITTING GREASE	2			(1/8-27NPTF)	0.007	0.0154
200	75597-53300	PAD STABILIZER	2				14.4	31.68
210	75597-53230	PIN	2			(1.25*8.20)	1.3	2.86
220	75599-04340	HEX.BOLT	2			(3/8-24UNF*2)	0.033	0.0726
230	75599-31923	NUT LOCKING	2			(3/8-24UNF)	0.007	0.0154
240	75599-81531	FITTING GREASE	2			(1/8-27NPTF)	0.007	0.0154
250	99999-99999	PADS RUBBER	2			L9453(OPTION))	0	0
260	70010-00182	SHOES RUBBER	4			(OPTION)	0	0
270	75599-31934	NUT LOCKING	8			(OPTION)	0	0

STABILIZER CYLINDER LH [COMPONENT PARTS]



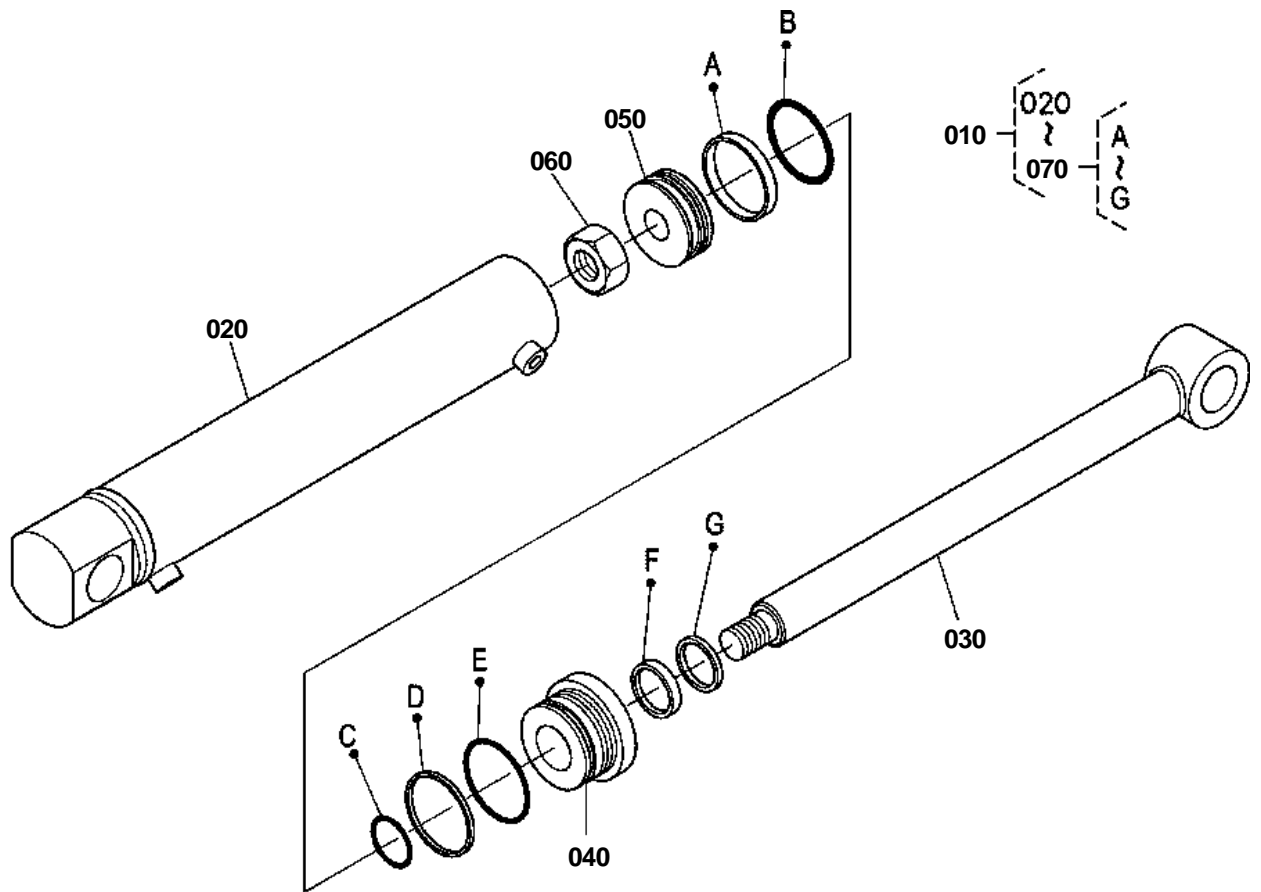
**STABILIZER CYLINDER LH [COMPONENT PARTS]**

S.No.;&lt;=12381

↔ Interchangeable; ≠ not interchangeable; ← new for old; → old for new

REF.No	Part No.	Description	Q'ty	S.No.	I/C	REMARKS	Weight (kgf)	Weight (lb)
010	75595-53013	ASSY CYLINDER LH STA	1				11	24.2
020	75595-53030	COMP.TUBE LH STABI.	1				8.8	19.36
030	75595-53050	COMP.ROD STABI.	1				5.9	12.98
040	75595-14310	HEAD	1				1.1	2.42
050	75595-44210	PISTON	1				0.65	1.43
060	75595-13260	NUT	1				0.11	0.242
070	75597-13270	PLUG	2				0.035	0.077
080	75595-54300	KIT SEAL	1				0.04	0.088

STABILIZER CYLINDER LH [COMPONENT PARTS]



75595-036-10





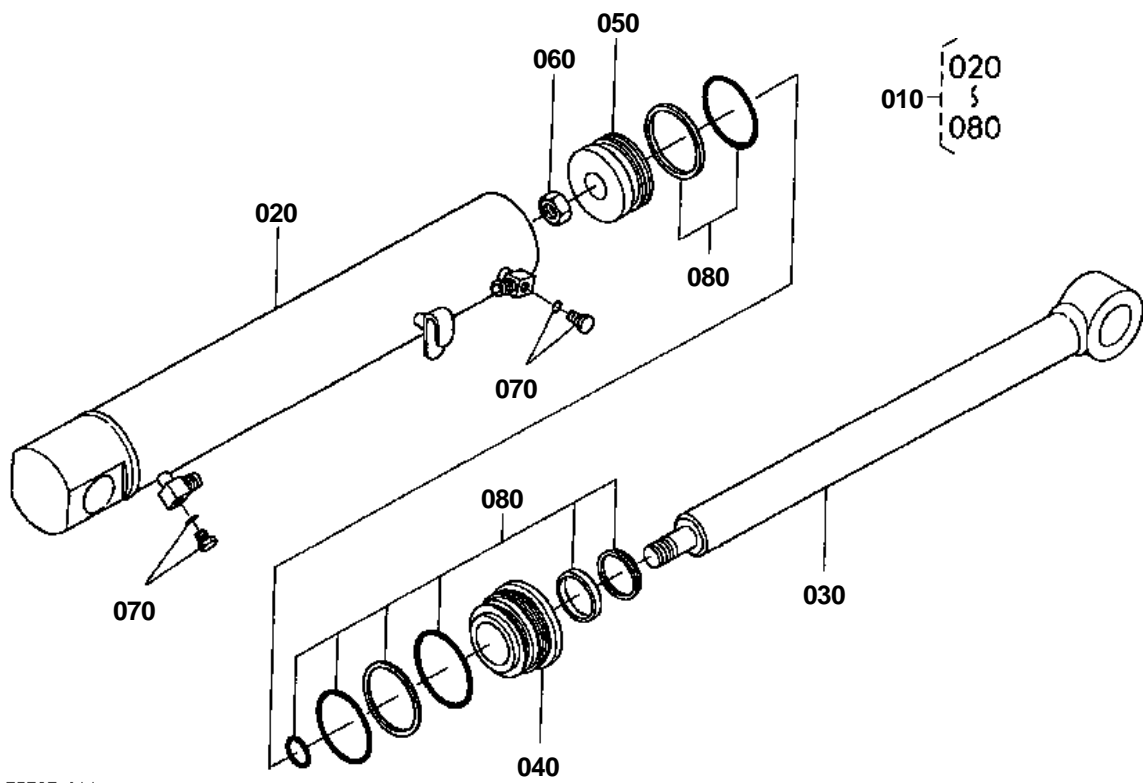
# STABILIZER CYLINDER LH [COMPONENT PARTS]

S.No.;>=12382

↔ Interchangeable; ≠ not interchangeable; ← new for old; → old for new

REF.No	Part No.	Description	Q'ty	S.No.	I/C	REMARKS	Weight (kgf)	Weight (lb)
010	75597-52010	ASSY CYLINDER LH STA	1				0	0
020	75597-52030	COMP TUBE LH STABI.	1				0	0
030	75597-52050	COMP ROD STABI.	1				0	0
040	75597-52110	HEAD	1				0	0
050	75597-52210	PISTON	1				0	0
060	75597-52310	NUT	1				0	0
070	75597-52300	KIT SEAL	1				0	0

STABILIZER CYLINDER RH [COMPONENT PARTS]



75597-014-11

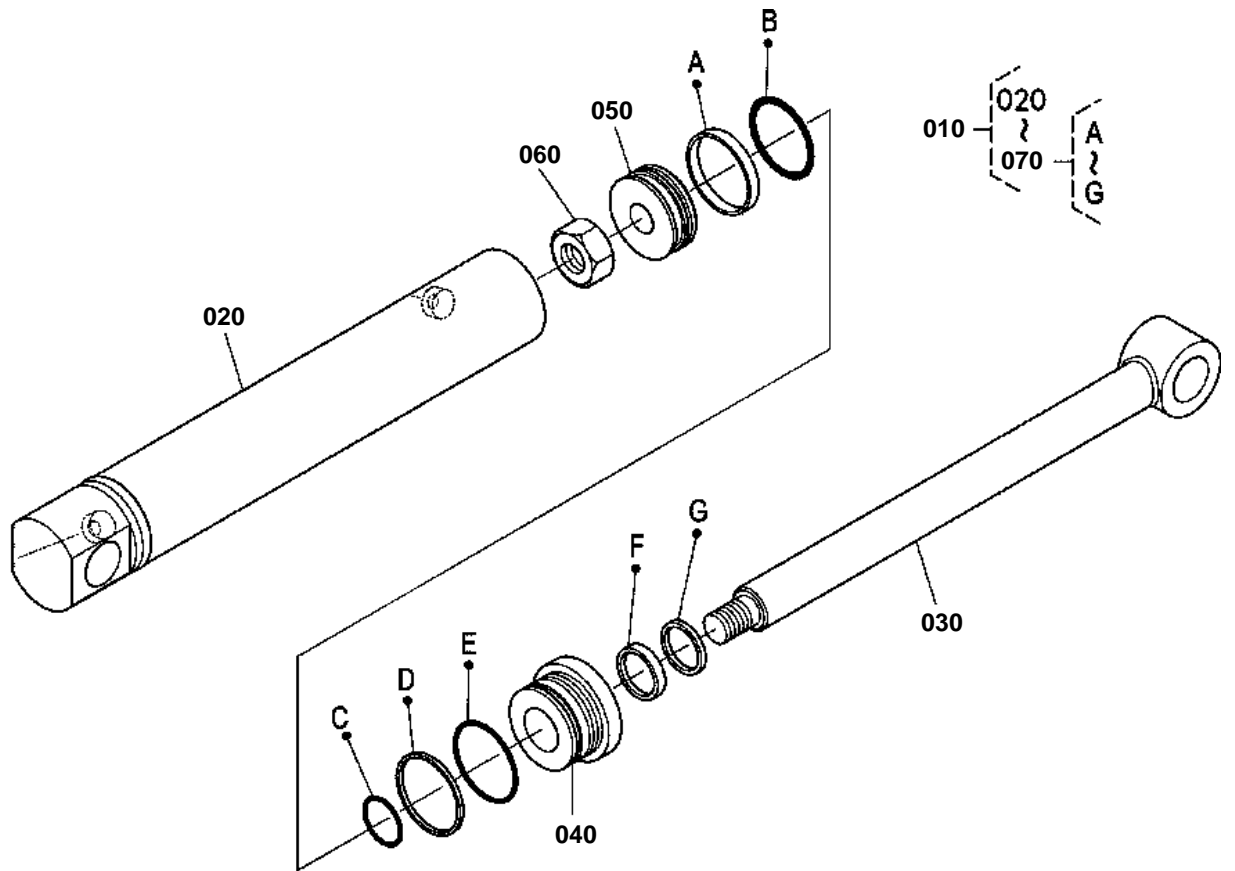
**STABILIZER CYLINDER RH [COMPONENT PARTS]**

S.No.;&lt;=12381

↔ Interchangeable; ≠ not interchangeable; ← new for old; → old for new

REF.No	Part No.	Description	Q'ty	S.No.	I/C	REMARKS	Weight (kgf)	Weight (lb)
010	75595-53023	ASSY CYLINDER RH STA	1				9	19.8
020	75595-53040	COMP.TUBE RH STABI.	1				8.7	19.14
030	75595-53050	COMP.ROD STABI.	1				5.9	12.98
040	75595-14310	HEAD	1				1.1	2.42
050	75595-44210	PISTON	1				0.65	1.43
060	75595-13260	NUT	1				0.11	0.242
070	75597-13270	PLUG	2				0.035	0.077
080	75595-54300	KIT SEAL	1				0.04	0.088

STABILIZER CYLINDER RH [COMPONENT PARTS]



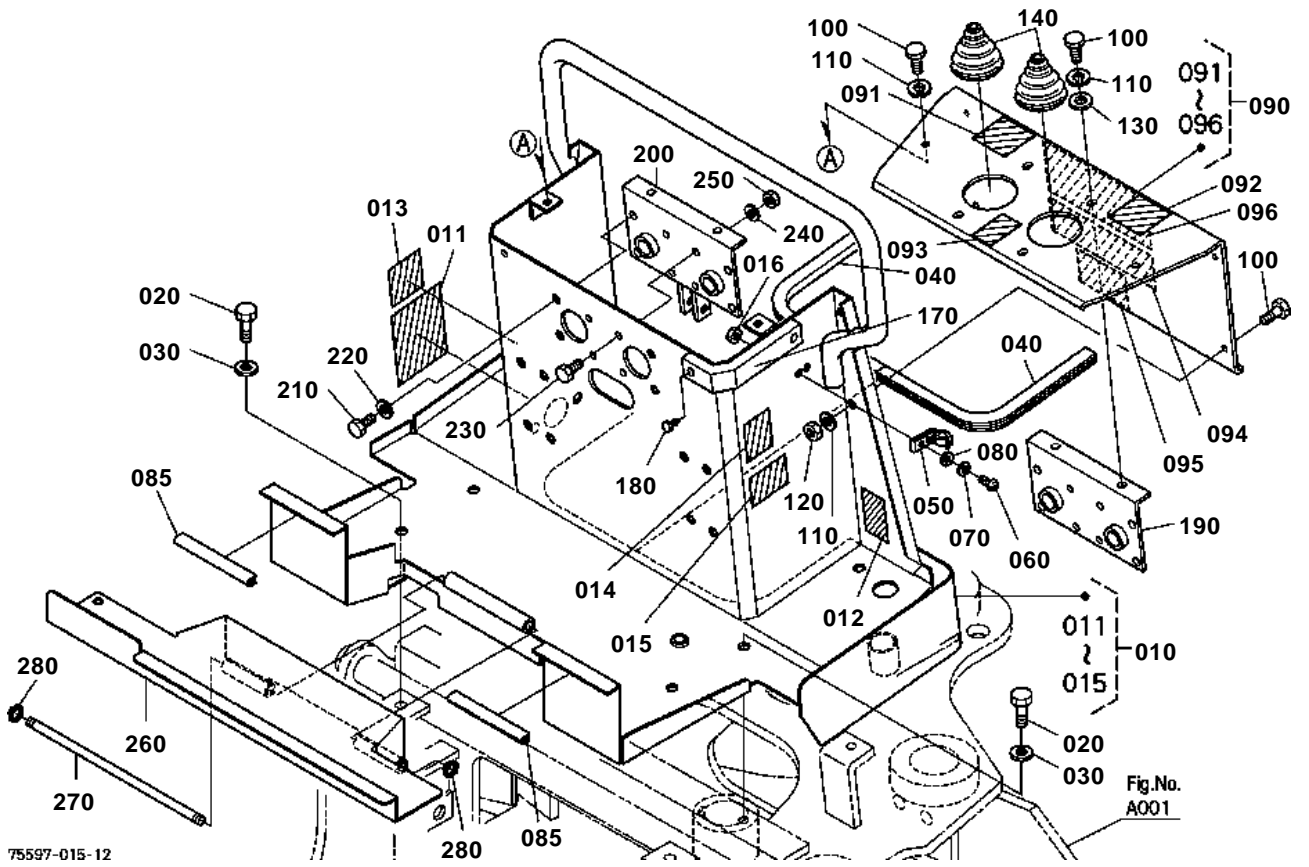
75595-037-10

**STABILIZER CYLINDER RH [COMPONENT PARTS]**

S.No.;&gt;=12382

↔ Interchangeable; ≠ not interchangeable; ← new for old; → old for new

REF.No	Part No.	Description	Q'ty	S.No.	I/C	REMARKS	Weight (kgf)	Weight (lb)
010	75597-52020	ASSY CYLINDER RH STA	1				0	0
020	75597-52040	COMP TUBE RH STABI.	1				0	0
030	75597-52050	COMP ROD STABI.	1				0	0
040	75597-52110	HEAD	1				0	0
050	75597-52210	PISTON	1				0	0
060	75597-52310	NUT	1				0	0
070	75597-52300	KIT SEAL	1				0	0



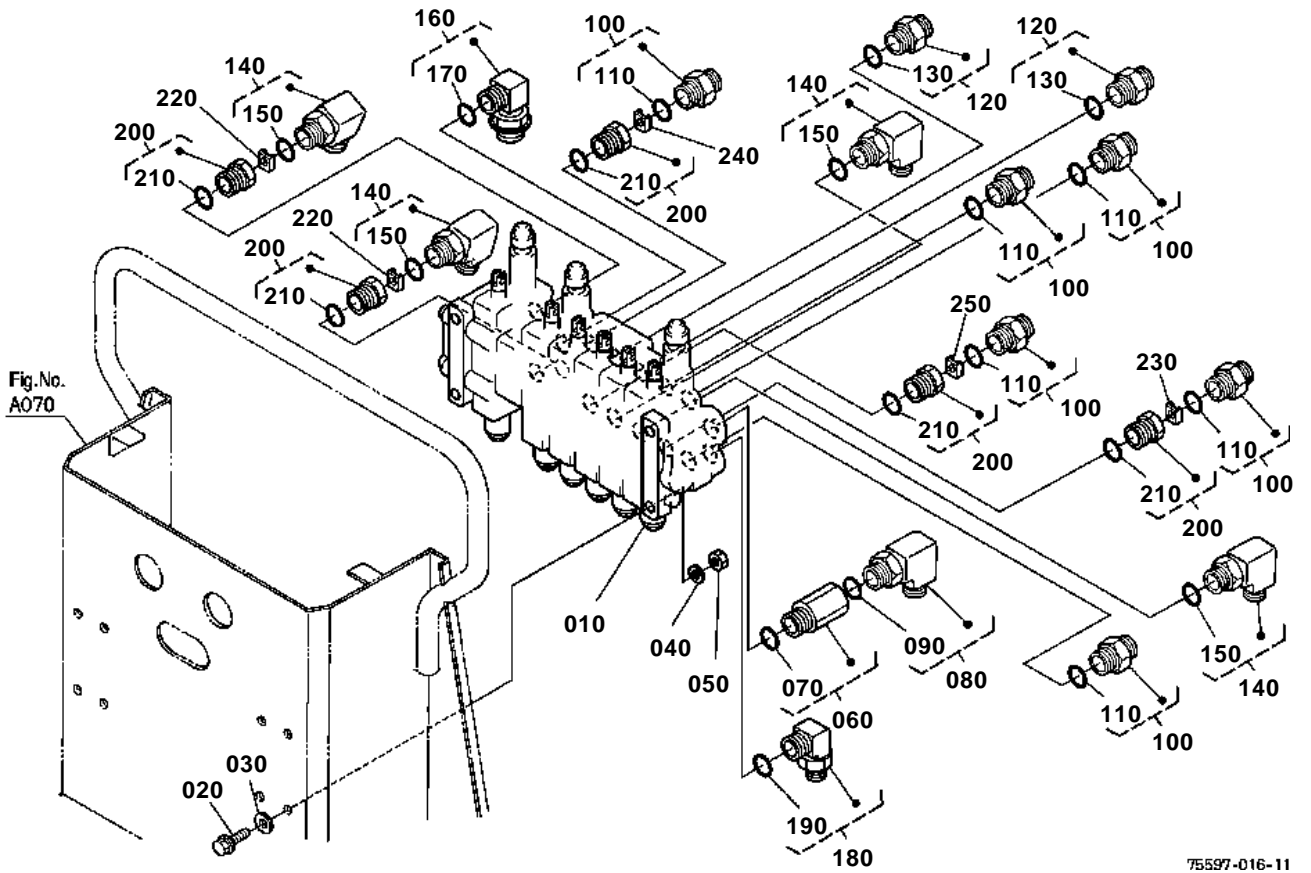


## STEP

↔ Interchangeable; ≠ not interchangeable; ← new for old; → old for new

REF.No	Part No.	Description	Q'ty	S.No.	I/C	REMARKS	Weight (kgf)	Weight (lb)
010	75597-90130	LABEL STEP	1				28	61.6
011	75595-75150	LABEL INSTRUCTION	1	<=11635			0.02	0.044
011	75597-75150	LABEL INSTRUCTION	1	>=11636	↔		0.022	0.0484
012	75595-75240	LABEL 2 WARNING	1				0.007	0.0154
013	75590-75270	LABEL 2 CAUTION	1				0.007	0.0154
014	75597-75280	LABEL 3 WARNING	1				0.003	0.0066
015	75595-75292	LABEL 4 WARNING	1	<=10003			0	0
015	75595-75293	LABEL 4 WARNING	1	>=10004	↔		0.01	0.022
016	75590-54160	HEX.NUT	2			(10-32UNF)	0.005	0.011
020	75599-02325	HEX.BOLT	6			(3/8-24UNF*1-1/4)	0.025	0.055
030	75599-33013	WASHER SPRING	6			(3/8)	0.006	0.0132
040	75590-61180	GUARD HOSE	2				0.02	0.044
050	33251-83900	SPRING BONNET HOLDER	1				0.008	0.0176
060	75590-54150	SCREW	2			(10-32UNF*5/8)	0.003	0.0066
070	75599-33008	WASHER SPRING	2			(#10)	0.001	0.0022
080	75599-32208	WASHER PLAIN NB(#10)	2			(#10)	0.001	0.0022
085	75597-61290	TRIM STEP	2				0.017	0.0374
090	75597-90140	LABEL COVER VALVE	1	<=11790			0	0
090	75597-90142	LABEL COVER VALVE	1	>=11791	↔		0.02	0.044
090	75597-90143	LABEL COVER VALVE	1	>=12446	1		0.02	0.044
091	75590-75110	LABEL 1 CONTROL LEVE	1				0.001	0.0022
092	75590-75120	LABEL 2 CONTROL LEVE	1				0.001	0.0022
093	75590-75130	LABEL 3 CONTROL LEVE	1				0.001	0.0022
094	75597-75140	LABEL MODEL BT1100	1	<=12445			0.004	0.0088
094	75597-75142	LABEL MODEL BT1100	1	>=12446	1		0.004	0.0088
095	75597-75170	LABEL DANGER	1	<=11790			0	0
095	75597-75172	LABEL DANGER	1	>=11791	↔		0.006	0.0132
096	75585-58470	LABEL L48	1	<=12445			0.005	0.011
096	32771-49440	MARK(L48)	1	>=12446	1		0	0
100	75599-02212	HEX.BOLT	10			(5/16-24UNF*5/8)	0.011	0.0242
110	75599-33012	WASHER SPRING	10			(5/16)	0.002	0.0044
120	75599-31022	NUT	4			(5/16-24UNF)	0.015	0.033
130	75599-32112	WASHER PLAIN	2	<=12381		(5/16W)	0.001	0.0022
130	75599-32112	WASHER PLAIN	4	>=12382		(5/16W)	0.001	0.0022
140	68701-65180	RUBBER BELLOWS	2				0.07	0.154
150	99999-99999	BLANK	0				0	0
160	99999-99999	BLANK	0				0	0
170	75595-61260	PROTECTOR	2				0.015	0.033
180	75595-61270	CLIP BUTTON	4				0.001	0.0022
190	75595-61310	SUPPORT 1 LEVER	1				0.8	1.76
200	75596-61410	SUPPORT 3 LEVER	1				0.93	2.046
210	75599-02215	HEX.BOLT	4			(5/16-24UNF*3/4)	0.001	0.0022
220	75599-33012	WASHER SPRING	4			(5/16)	0.002	0.0044
230	75599-02115	HEX.BOLT	4			(1/4-28UNF*3/4)	0.01	0.022
240	75599-33011	WASHER SPRING	4			(1/4)	0.002	0.0044
250	75599-31021	HEX.NUT	4			(1/4-28UNF)	0.001	0.0022
260	75597-62110	PLATE SHUTTER	1				3.134	6.8948
270	75597-62150	PIN FULCRUM	1				0.175	0.385
280	75599-41515	CIR-CLIP EXTERNAL	2			(3/8)	0.001	0.0022

# CONTROL VALVE



75597-016-11



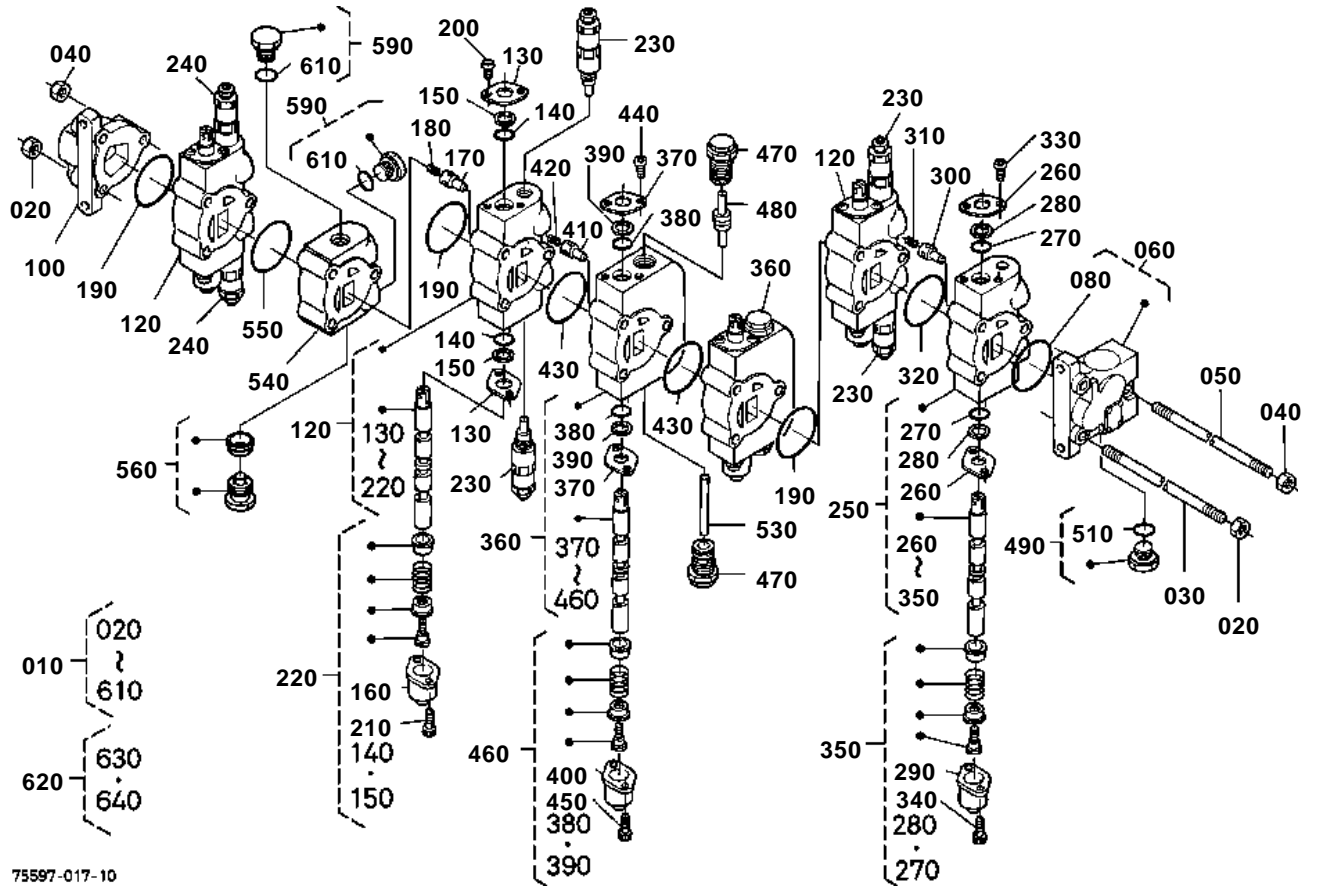


# CONTROL VALVE

↔ Interchangeable; ≠ not interchangeable; ← new for old; → old for new

REF.No	Part No.	Description	Q'ty	S.No.	I/C	REMARKS	Weight (kgf)	Weight (lb)
010	75597-63010	ASSY VALVE CONTROL	1	<=10019			0	0
010	75597-63012	ASSY VALVE CONTROL	1	>=10020	↔		21	46.2
020	75599-04325	HEX.BOLT	4			(3/8-24UNF*1-1/4)	0.022	0.0484
030	75599-32113	WASHER PLAIN	4			(3/8W)	0.01	0.022
040	75599-33013	WASHER SPRING	4			(3/8)	0.006	0.0132
050	75599-31023	NUT	4			(3/8-24UNF)	0.006	0.0132
060	75567-61850	ASSY ADAPTER 3	1			(3/4-16)	0.2	0.44
070	75540-61820	O-RING	1				0.001	0.0022
080	75560-61950	ASSY ELBOW 2 ADJUSTA	1			(3/4-16)	0.14	0.308
090	75540-61820	O-RING	1				0.001	0.0022
100	75580-61800	ASSY ADAPTER 1	6			(3/4-16)	0.06	0.132
110	75540-61820	O-RING	6				0.001	0.0022
120	75540-61800	ASSY ADAPTER 1	2			(3/4-16)	0.06	0.132
130	75540-61820	O-RING	2				0.001	0.0022
140	75540-61900	ASSY ELBOW ADJUSTABL	4			(3/4-16)	0.11	0.242
150	75540-61820	O-RING	4				0.001	0.0022
160	75594-65460	ASSY ELBOW ADJUSTA	1			(7/8)	0.162	0.3564
170	75590-63620	O-RING	1				0.01	0.022
180	75585-61900	ASSY ELBOW ADJUSTABL	1			(3/4-16)	0.15	0.33
190	75540-61820	O-RING	1				0.001	0.0022
200	75595-63400	ASSY PLUG ORIFICE	5			(3/4-16)	0.08	0.176
210	75540-61820	O-RING	5				0.001	0.0022
220	75595-63420	PLATE ORIFICE	2			(7/64)	0.04	0.088
230	75597-63430	PLATE ORIFICE	1			(3/16)	0.008	0.0176
240	75595-63440	PLATE ORIFICE	1			(1/8)	0.008	0.0176
250	75597-63450	PLATE ORIFICE	1			(13/64)	0.008	0.0176

CONTROL VALVE [COMPONENT PARTS]



75597-017-10

**CONTROL VALVE [COMPONENT PARTS]**

S.No.;&lt;=10019

↔ Interchangeable; ≠ not interchangeable; ← new for old; → old for new

REF.No	Part No.	Description	Q'ty	S.No.	I/C	REMARKS	Weight (kgf)	Weight (lb)
010	75597-63010	ASSY VALVE CONTROL	1				0	0
020	75540-61740	NUT-SPECIAL	4			(1861)	0.001	0.0022
030	75597-63030	ROD TIE	2				0	0
040	75540-61730	NUT-SPECIAL	2			(1052)	0.02	0.044
050	75597-63040	ROD TIE	1				0	0
060	75540-61200	ASSY INLET SECTION	1				1.4	3.08
070	99999-99999	BLANK	0				0	0
080	75540-61250	O-RING	1			(564)	0.01	0.022
090	99999-99999	BLANK	0				0	0
100	75592-63800	ASSY OUTLET SECTION	1			(A1)	0.85	1.87
110	99999-99999	BLANK	0				0	0
120	75597-63100	ASSY SPOOL SECTION 1	3				2.25	4.95
130	75540-61330	PLATE-SEAL	6			(5012)	0.012	0.0264
140	75553-99810	O-RING	6			(60-113)	0.001	0.0022
150	75540-99720	WIPER	6			(5029)	0.002	0.0044
160	75540-61450	CAP-SPOOL	3			(5028)	0.032	0.0704
170	75540-61380	POPPET-C.V.	3			(5011)	0.002	0.0044
180	75540-61390	SPRING	3			(5064)	0.001	0.0022
190	75540-61250	O-RING	3			(564)	0.01	0.022
200	75540-61440	MACHINE SCREW-RD.HD.	6			(3432)	0.051	0.1122
210	75540-61460	CAP SCREW-SOC.HD.	6			(5035)	0.001	0.0022
220	75540-61470	KIT CAP SPOOL SEC.	3			(54651)	0.08	0.176
230	75595-63200	ASSY RELIEF VALVE	4			(5060-P)	0.175	0.385
240	75597-63300	ASSY RELIEF VALVE	2			(51650-4)	0	0
250	75592-63500	ASSY SPOOL SECTION 2	1			(V133)	2.35	5.17
260	75540-61330	PLATE-SEAL	2			(5012)	0.012	0.0264
270	75553-99810	O-RING	2			(60-113)	0.001	0.0022
280	75540-99720	WIPER	2			(5029)	0.002	0.0044
290	75540-61450	CAP-SPOOL	1			(5028)	0.032	0.0704
300	75540-61380	POPPET-C.V.	1			(5011)	0.002	0.0044
310	75540-61390	SPRING	1			(5064)	0.001	0.0022
320	75540-61250	O-RING	1			(564)	0.01	0.022
330	75540-61440	MACHINE SCREW-RD.HD.	2			(3432)	0.051	0.1122
340	75540-61460	CAP SCREW-SOC.HD.	2			(5035)	0.001	0.0022
350	75540-61470	KIT CAP SPOOL SEC.2	1			(54651)	0.08	0.176
360	75595-63602	ASSY SPOOL SECTION 3	2				0	0
370	75540-61330	PLATE-SEAL	4			(5012)	0.012	0.0264
380	75553-99810	O-RING	4			(60-113)	0.001	0.0022
390	75540-99720	WIPER	4			(5029)	0.002	0.0044
400	75540-61450	CAP-SPOOL	2			(5028)	0.032	0.0704
410	75540-61380	POPPET-C.V.	2			(5011)	0.002	0.0044
420	75540-61390	SPRING	2			(5064)	0.001	0.0022
430	75540-61250	O-RING	2			(564)	0.01	0.022
440	75540-61440	MACHINE SCREW-RD.HD.	4			(3432)	0.051	0.1122
450	75540-61460	CAP SCREW-SOC.HD.	4			(5035)	0.001	0.0022
460	75540-61470	KIT CAP SPOOL SEC.2	2			(54651)	0.08	0.176
470	75595-63702	ASSY LOCKOUT VALVE	4			(5)	0	0
480	75595-63750	SHUTTLE VALVE	2			(53892)	0.022	0.0484
490	75540-61600	ASSY PLUG	1			(11180)	0.06	0.132
500	99999-99999	BLANK	0				0	0
510	75540-61620	O-RING	1			(3384)	0.001	0.0022

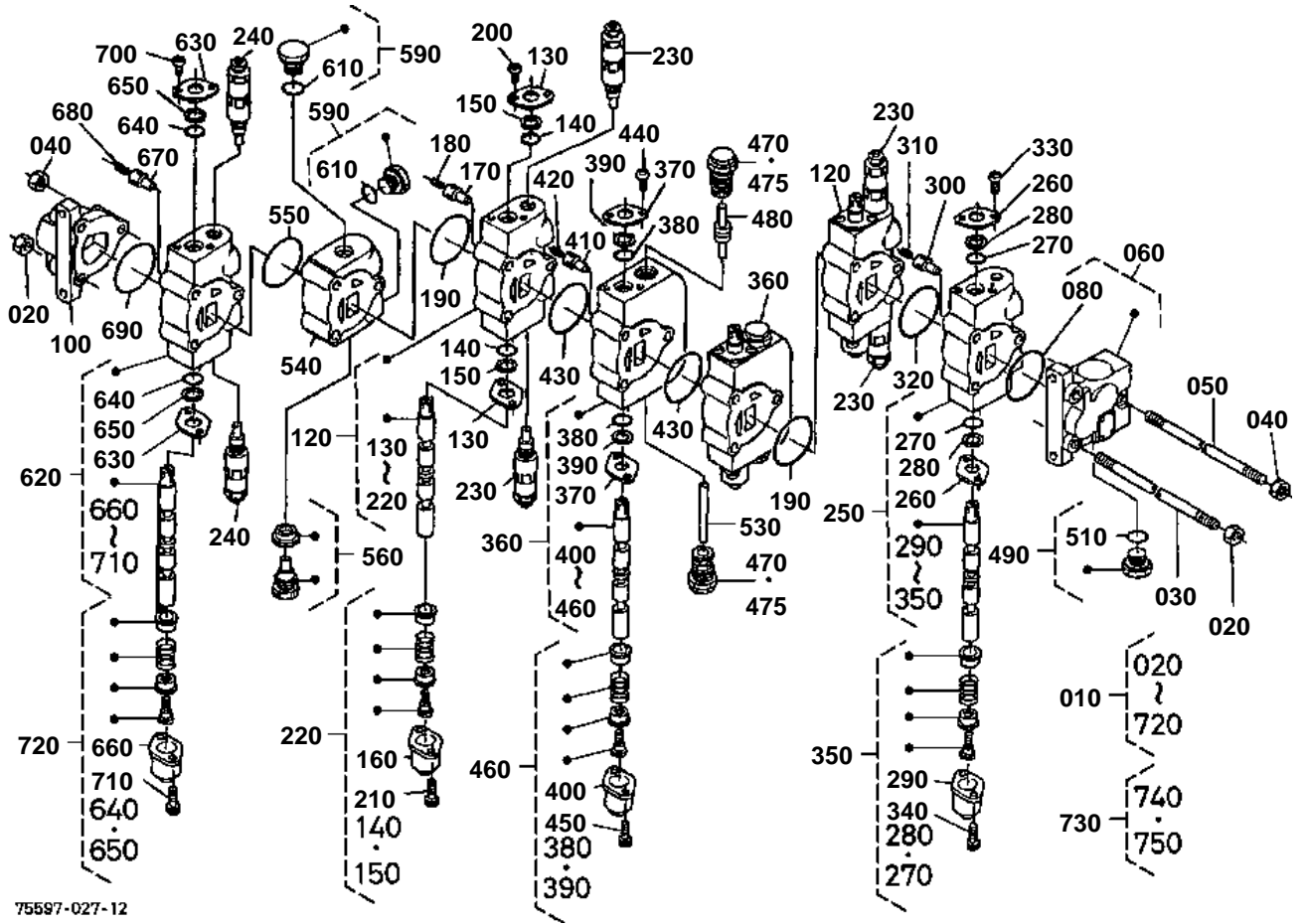
**CONTROL VALVE [COMPONENT PARTS]**

S.No.;&lt;=10019

↔ Interchangeable; ≠ not interchangeable; ← new for old; → old for new

REF.No	Part No.	Description	Q'ty	S.No.	I/C	REMARKS	Weight (kgf)	Weight (lb)
520	99999-99999	BLANK	0				0	0
530	75595-63760	ROD SHUTTLE	2			(55351)	0	0
540	75597-63800	ASSY MID-INLET	1				1.13	2.486
550	75540-61250	O-RING	1			(564)	0.01	0.022
560	75597-63900	ASSY SHUT-OFF PLUG	1			(52610)	0.1	0.22
570	99999-99999	BLANK	0				0	0
580	99999-99999	BLANK	0				0	0
590	75540-61600	ASSY PLUG	2			(11180)	0.06	0.132
600	99999-99999	BLANK	0				0	0
610	75540-61620	O-RING	2			(3384)	0.001	0.0022
620	75540-99800	KIT SEAL SPOOL SEC.	1			630/640	0.001	0.0022
630	75553-99810	O-RING	2			(60-113)	0.001	0.0022
640	75540-99720	WIPER	2			(5029)	0.002	0.0044

CONTROL VALVE [COMPONENT PARTS]



75597-027-12

**CONTROL VALVE [COMPONENT PARTS]**

S.No.;&gt;=10020

↔ Interchangeable; ≠ not interchangeable; ← new for old; → old for new

REF.No	Part No.	Description	Q'ty	S.No.	I/C	REMARKS	Weight (kgf)	Weight (lb)
010	75597-63012	ASSY VALVE CONTROL	1				21	46.2
020	75540-61740	NUT-SPECIAL	4			(1861)	0.001	0.0022
030	75597-63030	ROD TIE	2				0	0
040	75540-61730	NUT-SPECIAL	2			(1052)	0.02	0.044
050	75597-63040	ROD TIE	1				0	0
060	75540-61200	ASSY INLET SECTION	1				1.4	3.08
070	99999-99999	BLANK	0				0	0
080	75540-61250	O-RING	1			(564)	0.01	0.022
090	99999-99999	BLANK	0				0	0
100	75592-63800	ASSY OUTLET SECTION	1			(A1)	0.85	1.87
110	99999-99999	BLANK	0				0	0
120	75597-63100	ASSY SPOOL SECTION 1	2				2.25	4.95
130	75540-61330	PLATE-SEAL	4			(5012)	0.012	0.0264
140	75553-99810	O-RING	4			(60-113)	0.001	0.0022
150	75540-99720	WIPER	4			(5029)	0.002	0.0044
160	75540-61450	CAP-SPOOL	2			(5028)	0.032	0.0704
170	75540-61380	POPPET-C.V.	2			(5011)	0.002	0.0044
180	75540-61390	SPRING	2			(5064)	0.001	0.0022
190	75540-61250	O-RING	2			(564)	0.01	0.022
200	75540-61440	MACHINE SCREW-RD.HD.	4			(3432)	0.051	0.1122
210	75540-61460	CAP SCREW-SOC.HD.	4			(5035)	0.001	0.0022
220	75540-61470	KIT CAP SPOOL SEC.2	2			(54651)	0.08	0.176
230	75595-63200	ASSY RELIEF VALVE	4			(5060-P)	0.175	0.385
240	75597-63300	ASSY RELIEF VALVE	2			(51650-4)	0	0
250	75592-63500	ASSY SPOOL SECTION 2	1			(V133)	2.35	5.17
260	75540-61330	PLATE-SEAL	2			(5012)	0.012	0.0264
270	75553-99810	O-RING	2			(60-113)	0.001	0.0022
280	75540-99720	WIPER	2			(5029)	0.002	0.0044
290	75540-61450	CAP-SPOOL	1			(5028)	0.032	0.0704
300	75540-61380	POPPET-C.V.	1			(5011)	0.002	0.0044
310	75540-61390	SPRING	1			(5064)	0.001	0.0022
320	75540-61250	O-RING	1			(564)	0.01	0.022
330	75540-61440	MACHINE SCREW-RD.HD.	2			(3432)	0.051	0.1122
340	75540-61460	CAP SCREW-SOC.HD.	2			(5035)	0.001	0.0022
350	75540-61470	KIT CAP SPOOL SEC.2	1			(54651)	0.08	0.176
360	75595-63603	ASSY SPOOL SECTION 3	2				3.18	6.996
370	75540-61330	PLATE-SEAL	4			(5012)	0.012	0.0264
380	75553-99810	O-RING	4			(60-113)	0.001	0.0022
390	75540-99720	WIPER	4			(5029)	0.002	0.0044
400	75540-61450	CAP-SPOOL	2			(5028)	0.032	0.0704
410	75540-61380	POPPET-C.V.	2			(5011)	0.002	0.0044
420	75540-61390	SPRING	2			(5064)	0.001	0.0022
430	75540-61250	O-RING	2			(564)	0.01	0.022
440	75540-61440	MACHINE SCREW-RD.HD.	4			(3432)	0.051	0.1122
450	75540-61460	CAP SCREW-SOC.HD.	4			(5035)	0.001	0.0022
460	75540-61470	KIT CAP SPOOL SEC.2	2			(54651)	0.08	0.176
470	75595-63703	ASSY LOCKOUT VALVE	4			(5)	0.06	0.132
475	75595-63792	KIT SEAL LOCKOUT	4				0.002	0.0044
480	75595-63750	SHUTTLE VALVE	2			(53892)	0.022	0.0484
490	75540-61600	ASSY PLUG	1			(11180)	0.06	0.132
500	99999-99999	BLANK	0				0	0

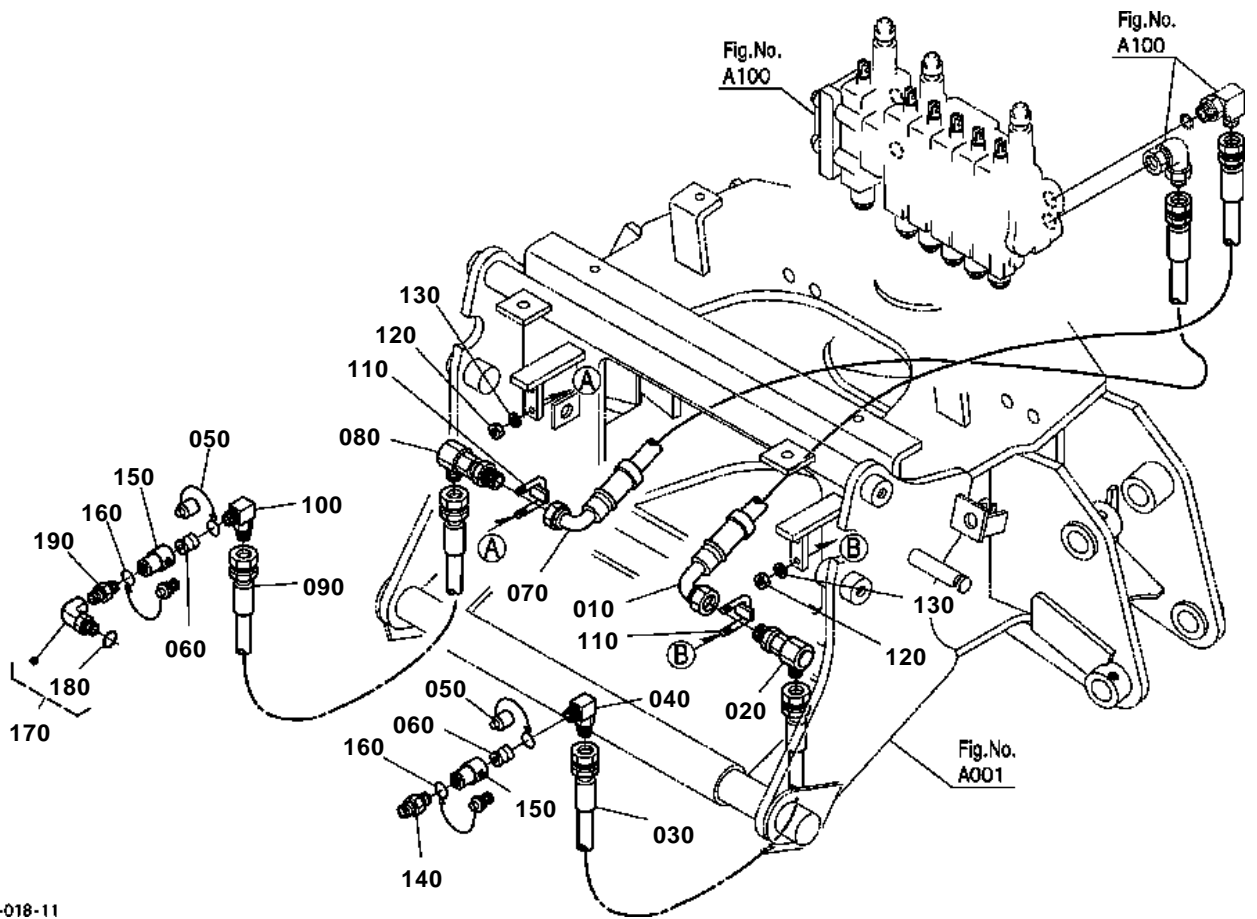
**CONTROL VALVE [COMPONENT PARTS]**

S.No.;&gt;=10020

↔ Interchangeable; ≠ not interchangeable; ← new for old; → old for new

REF.No	Part No.	Description	Q'ty	S.No.	I/C	REMARKS	Weight (kgf)	Weight (lb)
510	75540-61620	O-RING	1			(3384)	0.001	0.0022
520	99999-99999	BLANK	0				0	0
530	75595-63760	ROD SHUTTLE	2			(55351)	0	0
540	75597-63800	ASSY MID-INLET	1				1.13	2.486
550	75540-61250	O-RING	1			(564)	0.01	0.022
560	75546-65100	SHUT-OFF PLUG ASSY	1			(52610)	0.1	0.22
570	99999-99999	BLANK	0				0	0
580	99999-99999	BLANK	0				0	0
590	75540-61600	ASSY PLUG	2			(11180)	0.06	0.132
600	99999-99999	BLANK	0				0	0
610	75540-61620	O-RING	2			(3384)	0.001	0.0022
620	75597-63500	ASSY SPOOL SECTION	1				2.5	5.5
630	75540-61330	PLATE-SEAL	2			(5012)	0.012	0.0264
640	75553-99810	O-RING	2			(60-113)	0.001	0.0022
650	75540-99720	WIPER	2			(5029)	0.002	0.0044
660	75540-61450	CAP-SPOOL	1			(5028)	0.032	0.0704
670	75540-61380	POPPET-C.V.	1			(5011)	0.002	0.0044
680	75540-61390	SPRING	1			(5064)	0.001	0.0022
690	75540-61250	O-RING	1			(564)	0.01	0.022
700	75540-61440	MACHINE SCREW-RD.HD.	2			(3432)	0.051	0.1122
710	75540-61460	CAP SCREW-SOC.HD.	2			(5035)	0.001	0.0022
720	75540-61470	KIT CAP SPOOL SEC.	1			(54651)	0.08	0.176
730	75540-99800	KIT SEAL SPOOL SEC.	1			630/640	0.001	0.0022
740	75553-99810	O-RING	2			(60-113)	0.001	0.0022
750	75540-99720	WIPER	2			(5029)	0.002	0.0044

HYDRAULIC HOSE (INLET/OUTLET)



75597-018-11



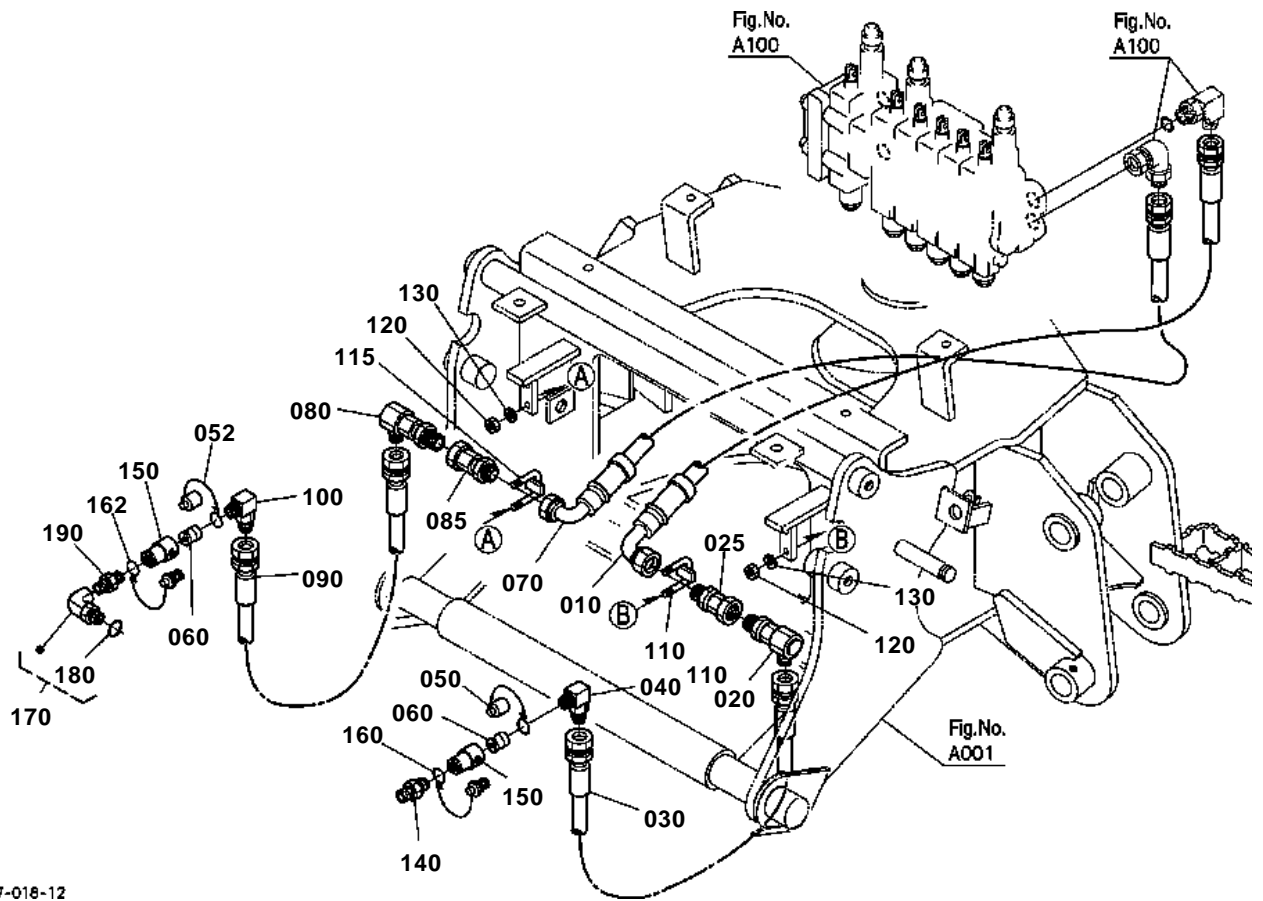
**HYDRAULIC HOSE (INLET/OUTLET)**

S.No.;&lt;=11635

↔ Interchangeable; ≠ not interchangeable; ← new for old; → old for new

REF.No	Part No.	Description	Q'ty	S.No.	I/C	REMARKS	Weight (kgf)	Weight (lb)
010	75597-65310	HOSE INLET 2	1				0.48	1.056
020	75597-64140	ADAPTER SWIVEL	1			(3/4-16)	0.373	0.8206
030	75597-64112	HOSE INLET 1	1				0.57	1.254
040	75595-64140	ELBOW	1				0.144	0.3168
050	75560-66430	CAP DUST	2				0.025	0.055
060	75560-66220	NIPPLE	2				0.115	0.253
070	75597-65330	HOSE RETURN 1	1				0.65	1.43
080	75597-64180	ADAPTER SWIVEL	1			(7/8-14)	0.37	0.814
090	75597-64152	HOSE RETURN 2	1				0.65	1.43
100	75568-68180	ELBOW RETURN	1				0.16	0.352
110	75597-65140	CLAMP	2				0.041	0.0902
120	75599-31021	HEX.NUT	4			(1/4-28UNF)	0.001	0.0022
130	75599-33011	WASHER SPRING	4			(1/4)	0.002	0.0044
140	75595-64160	ADAPTER PT	1				0.078	0.1716
150	75560-66320	COUPLER	2				0.35	0.77
160	75567-66330	PLUG DUST	2				0	0
170	75567-61800	ASSY ELBOW	1				0.01	0.022
180	75540-61820	O-RING	1				0.001	0.0022
190	75567-61870	ADAPTER 1 PIPE	1				0.07	0.154

HYDRAULIC HOSE (INLET/OUTLET)



75597-018-12

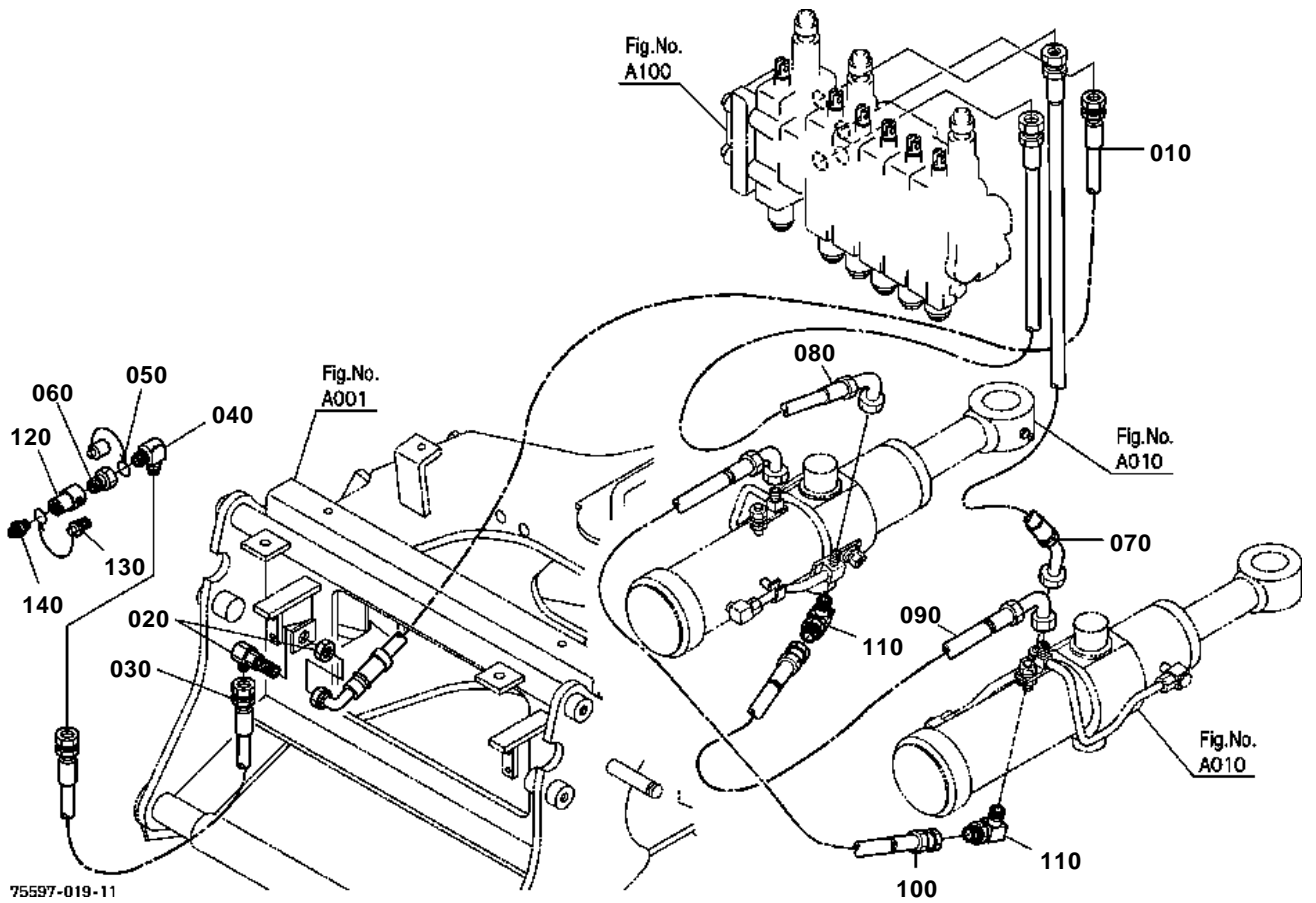
**HYDRAULIC HOSE (INLET/OUTLET)**

S.No.;&gt;=11636

↔ Interchangeable; ≠ not interchangeable; ← new for old; → old for new

REF.No	Part No.	Description	Q'ty	S.No.	I/C	REMARKS	Weight (kgf)	Weight (lb)
010	75597-65310	HOSE INLET 2	1				0.48	1.056
020	75597-64140	ADAPTER SWIVEL	1			(3/4-16)	0.373	0.8206
025	75597-64240	UNION SWIVEL	1	>=12382		(3/4)	0	0
030	75597-64112	HOSE INLET 1	1				0.57	1.254
040	75595-64140	ELBOW	1				0.144	0.3168
050	75567-66430	CAP DUST	1			(72PDC-8B)	0	0
052	75567-66460	CAP DUST	1			(72PDC-8W)	0	0
060	75560-66220	NIPPLE	2				0.115	0.253
070	75597-65330	HOSE RETURN 1	1				0.65	1.43
080	75597-64180	ADAPTER SWIVEL	1			(7/8-14)	0.37	0.814
085	75597-64280	UNION SWIVEL	1	>=12382		(7/8)	0	0
090	75597-64152	HOSE RETURN 2	1				0.65	1.43
100	75568-68180	ELBOW RETURN	1				0.16	0.352
110	75597-65140	CLAMP	1				0.041	0.0902
115	75597-65150	CLAMP 2	1	>=12382			0	0
120	75599-31021	HEX.NUT	4			(1/4-28UNF)	0.001	0.0022
130	75599-33011	WASHER SPRING	4			(1/4)	0.002	0.0044
140	75595-64160	ADAPTER PT	1				0.078	0.1716
150	75560-66320	COUPLER	2				0.35	0.77
160	75567-66330	PLUG DUST	1			(72PDP-8B)	0	0
162	75567-66360	PLUG DUST	1			(72PDP-8W)	0	0
170	75567-61800	ASSY ELBOW	1				0.01	0.022
180	75540-61820	O-RING	1				0.001	0.0022
190	75567-61870	ADAPTER 1 PIPE	1				0.07	0.154

HYDRAULIC HOSE (SWING)



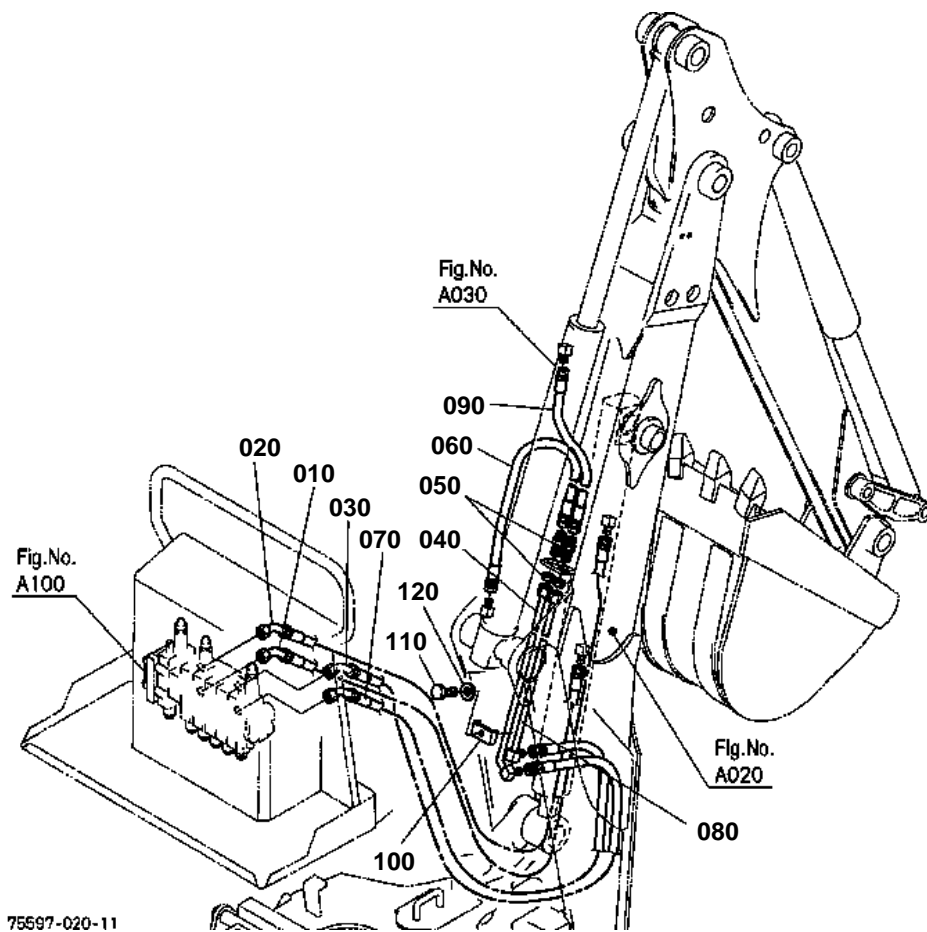


# HYDRAULIC HOSE (SWING)

↔ Interchangeable; ≠ not interchangeable; ← new for old; → old for new

REF.No	Part No.	Description	Q'ty	S.No.	I/C	REMARKS	Weight (kgf)	Weight (lb)
010	75597-65410	HOSE SWING 2	1				0.38	0.836
020	75597-64170	ADAPTER SWIVEL(BU.)	1			(3/4-16)	0.415	0.913
030	75597-64160	HOSE SWING 1	1	<=10003			0	0
030	75597-64162	HOSE SWING 1	1	>=10004	↔		0.47	1.034
040	75540-64910	ELBOW 1	1				0.11	0.242
050	75540-66430	CAP DUST	1	<=11635			0.002	0.0044
050	7J246-66430	1/4CAP DUST	1	>=11636	↔	(72PDC-6R)	0.002	0.0044
060	75540-66220	NIPPLE	1				0.06	0.132
070	75597-64230	HOSE 3 HYDRAULIC	1				0.588	1.2936
080	75597-64250	HOSE 4 HYDRAULIC	1				0.508	1.1176
090	75597-64260	HOSE L5 HYDRAULIC	1				0.384	0.8448
100	75597-64270	HOSE R5 HYDRAULIC	1				0.65	1.43
110	75595-64200	ASSY ELBOW ADJUSTA	2			(9/16-18)	0.52	1.144
120	75540-66320	COUPLER	1				0.23	0.506
130	75540-66330	PLUG DUST	1	<=11635			0.02	0.044
130	7J246-66330	1/4PLUG DUST	1	>=11636	↔	(72PDP-6R)	0.002	0.0044
140	75590-64160	ADAPTER PT	1				0.045	0.099

HYDRAULIC HOSE (BOOM/DIPPERSTICK)





## HYDRAULIC HOSE (BOOM/DIPPERSTICK)

↔ Interchangeable; ≠ not interchangeable; ← new for old; → old for new

REF.No	Part No.	Description	Q'ty	S.No.	I/C	REMARKS	Weight (kgf)	Weight (lb)
010	75597-64310	HOSE 6 HYDRAULIC	1				0.954	2.0988
020	75597-64320	HOSE 7 HYDRAULIC	1				0.892	1.9624
030	75597-64410	HOSE 8 HYDRAULIC	1				0.888	1.9536
040	75597-64460	TUBE 1 HYDRAULIC	1				0.302	0.6644
050	75597-64440	ADAPTER	2			(BU.3/4-16)	0.12	0.264
060	75597-64480	HOSE DIPPER BASE	1				0.5	1.1
070	75597-64430	HOSE 9 HYDRAULIC	1				0.87	1.914
080	75597-64470	TUBE 2 HYDRAULIC	1				0.278	0.6116
090	75597-64490	HOSE DIPPER ROD	1				0.41	0.902
100	75597-64760	CLAMP TUBE	2				0.1	0.22
110	75599-01225	HEX.BOLT	2			(5/16-18UNC*1-1/4)	0.015	0.033
120	75599-33012	WASHER SPRING	2			(5/16)	0.002	0.0044





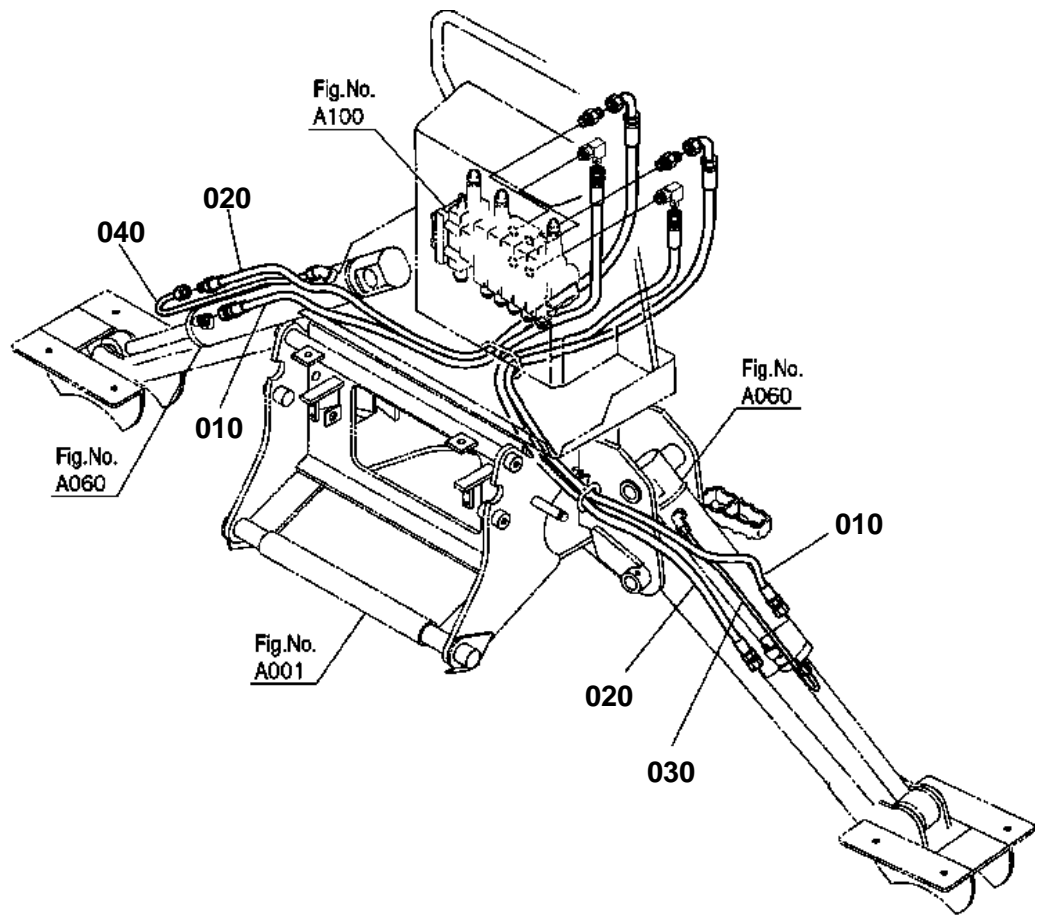


## HYDRAULIC HOSE (BUCKET)

↔ Interchangeable; ≠ not interchangeable; ← new for old; → old for new

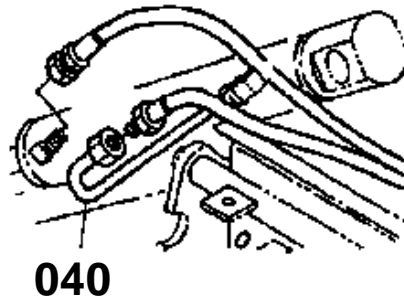
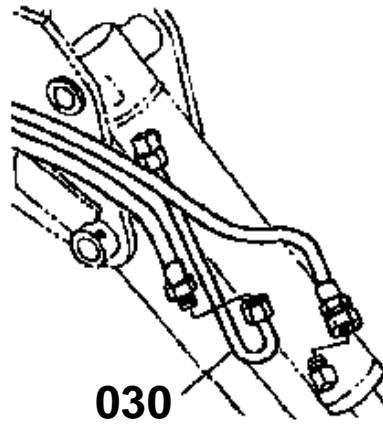
REF.No	Part No.	Description	Q'ty	S.No.	I/C	REMARKS	Weight (kgf)	Weight (lb)
010	75597-64510	HOSE 10 HYDRAULIC	1				0.938	2.0636
020	75597-64520	TUBE 3 HYDRAULIC	1				0.45	0.99
030	75597-64540	TUBE 5 HYDRAULIC	2				0.21	0.462
040	75597-64550	HOSE 12L HYDRAULIC	1				0.986	2.1692
050	75597-64430	HOSE 9 HYDRAULIC	1				0.87	1.914
060	75597-64530	TUBE 4 HYDRAULIC	1				0.55	1.21
070	75597-64560	HOSE 12R HYDRAULIC	1				0.94	2.068
080	75590-64580	SLEEVE	1				0.135	0.297
090	75590-64650	BAND CODE	2				0.01	0.022
100	75599-04312	HEX.BOLT	4			(3/8-24UNF*5/8)	0.016	0.0352
110	75599-33013	WASHER SPRING	4			(3/8)	0.006	0.0132

HYDRAULIC HOSE (STABILIZER)



75597-022-11

## OLD PARTS



75597-802-10

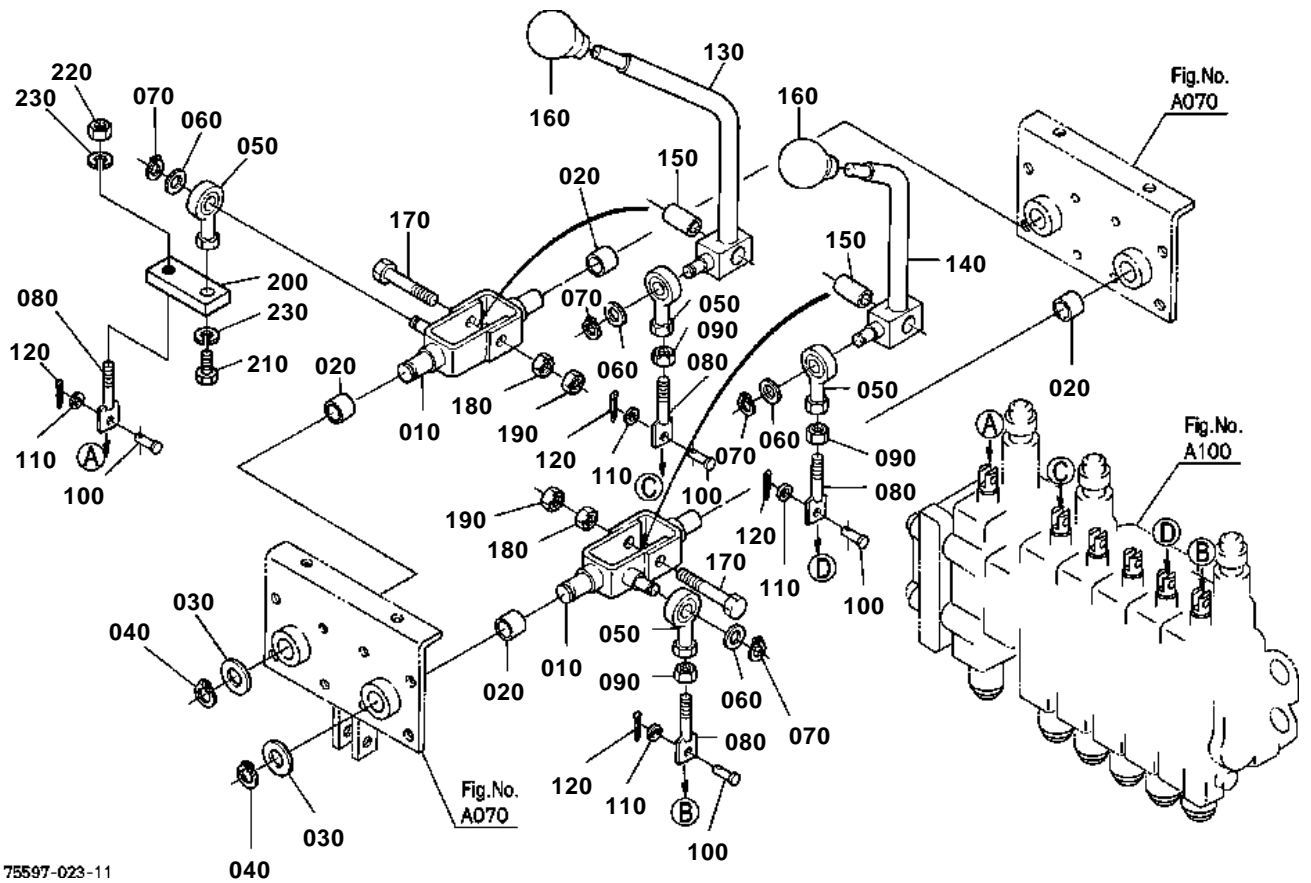


## HYDRAULIC HOSE (STABILIZER)

↔ Interchangeable; ≠ not interchangeable; ← new for old; → old for new

REF.No	Part No.	Description	Q'ty	S.No.	I/C	REMARKS	Weight (kgf)	Weight (lb)
010	75597-64612	HOSE 13 HYDRAULIC	2				0.54	1.188
020	75597-64632	HOSE 14 HYDRAULIC	2				0.478	1.0516
030	75595-52060	ASSY TUBE HYDRAULIC	1	<=12381			0.15	0.33
030	75597-52060	COMP PIPE LH	1	>=12382	↔		0.15	0.33
040	75595-52060	ASSY TUBE HYDRAULIC	1	<=12381			0.15	0.33
040	75597-52070	COMP PIPE RH	1	>=12382	↔		0.15	0.33

CONTROL LEVER 1



75597-023-11

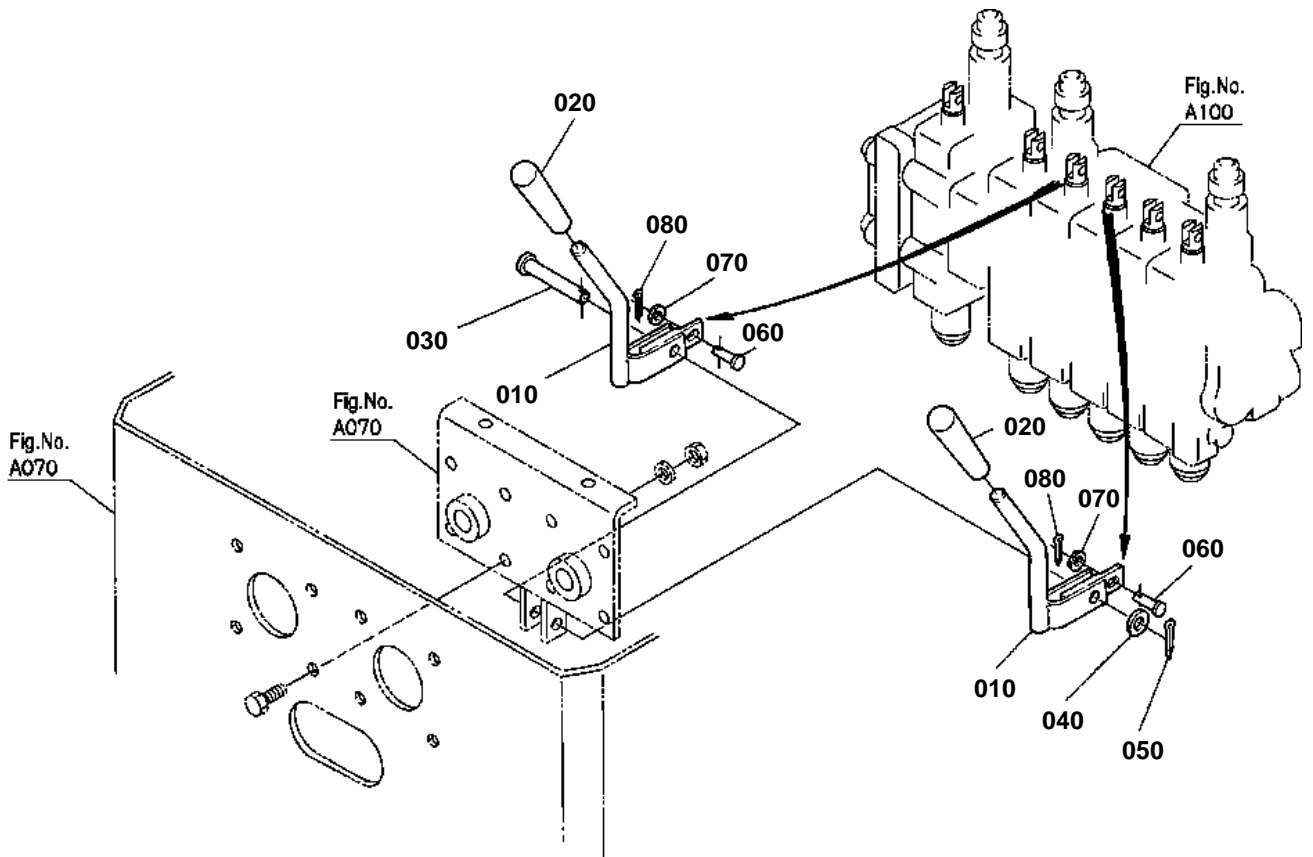


# CONTROL LEVER 1

↔ Interchangeable; ≠ not interchangeable; ← new for old; → old for new

REF.No	Part No.	Description	Q'ty	S.No.	I/C	REMARKS	Weight (kgf)	Weight (lb)
010	75595-71130	LEVER 2	2				0.45	0.99
020	75540-62140	BUSHING	4				0.01	0.022
030	75545-62150	COLLAR	2			(5/8)	0.014	0.0308
040	75599-41522	CIR-CLIP EXTERNAL	2			(5/8)	0.001	0.0022
050	75540-62260	JOINT ROD END	4				0.07	0.154
060	75540-62270	COLLAR	4				0.002	0.0044
070	75599-41515	CIR-CLIP EXTERNAL	4			(3/8)	0.001	0.0022
080	75540-62280	ROD 2	4				0.026	0.0572
090	75599-31043	HEX.JAM NUT	3			(3/8-24UNF)	0.005	0.011
100	75540-62190	PIN	4				0.018	0.0396
110	75599-32009	WASHER PLAIN	4			(13/64)	0.001	0.0022
120	75599-53111	PIN COTTER	4			(1/32*1/2)	0.001	0.0022
130	75595-72110	LEVER CONTROL LH	1				0.79	1.738
140	75595-72130	LEVER CONTROL RH	1				0.001	0.0022
150	75595-72150	SLEEVE	2				0.03	0.066
160	31355-82520	GRIP LEVER	2				0.05	0.11
170	75599-04350	HEX.BOLT	2			(3/8-24UNF*2-1/2)	0.04	0.088
180	75599-31023	NUT	2			(3/8-24UNF)	0.006	0.0132
190	75599-31043	HEX.JAM NUT	2			(3/8-24UNF)	0.005	0.011
200	75597-71150	JOINT	1				0.103	0.2266
210	75599-04320	HEX.BOLT	1			(3/8-24UNF*1)	0.02	0.044
220	75599-31023	NUT	1			(3/8-24UNF)	0.006	0.0132
230	75599-33013	WASHER SPRING	2			(3/8)	0.006	0.0132

CONTROL LEVER 2



75597-024-11

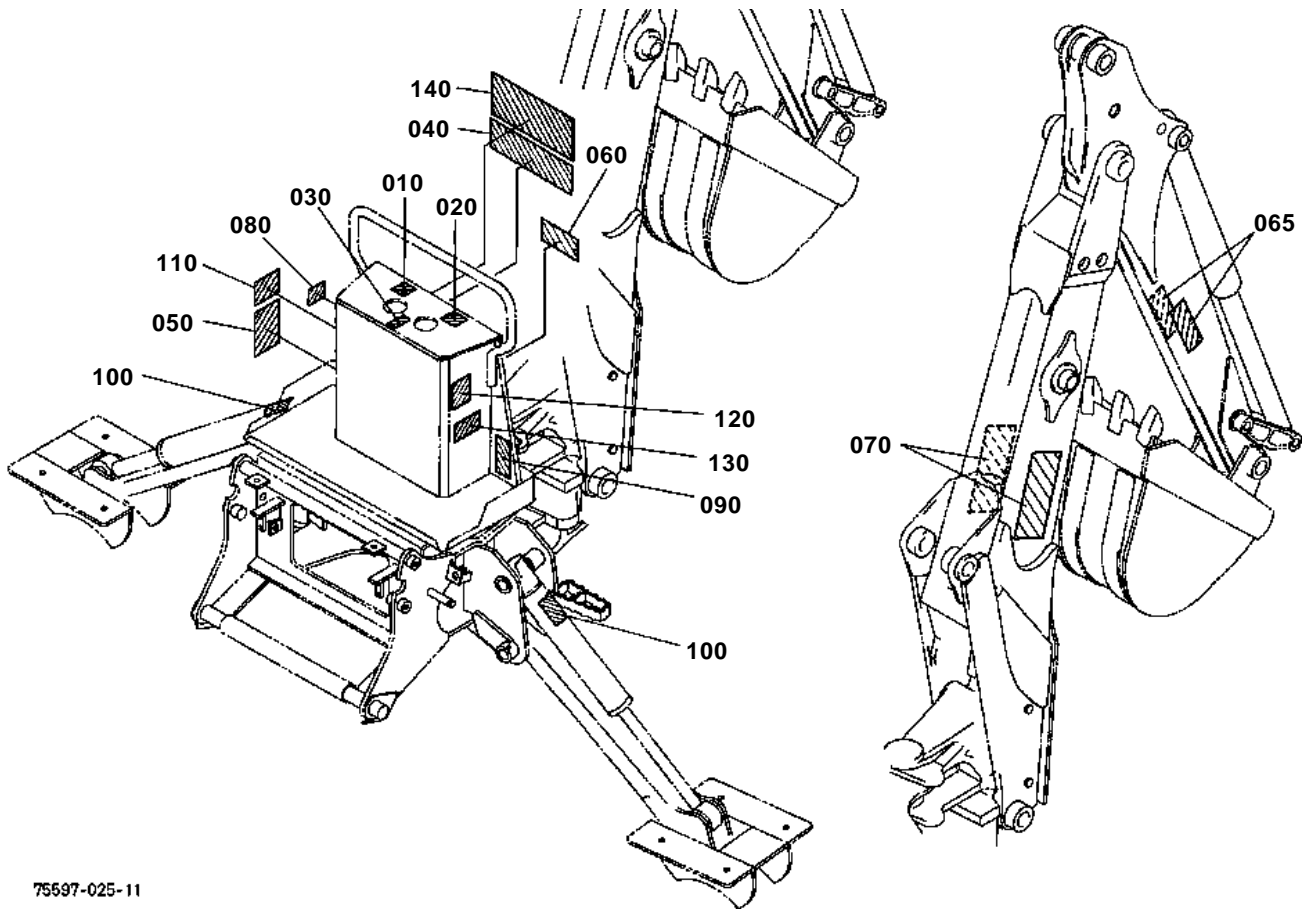


## CONTROL LEVER 2

↔ Interchangeable; ≠ not interchangeable; ← new for old; → old for new

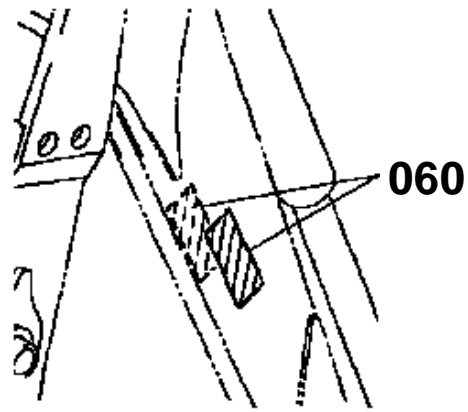
REF.No	Part No.	Description	Q'ty	S.No.	I/C	REMARKS	Weight (kgf)	Weight (lb)
010	75590-72210	LEVER CONTROL	2				0.23	0.506
020	06914-00100	GRIP LEVER	2				0.02	0.044
030	75599-51247	PIN CLEVIS	1			(5/16*2-3/8)	0.024	0.0528
040	75599-32012	WASHER PLAIN	1			(5/16)	0.002	0.0044
050	75599-53162	PIN COTTER	1			(7/64*3/4)	0.002	0.0044
060	75540-62190	PIN	2				0.018	0.0396
070	75599-32009	WASHER PLAIN	2			(13/64)	0.001	0.0022
080	75599-53111	PIN COTTER	2			(1/32*1/2)	0.001	0.0022





75597-025-11

# OLD PARTS



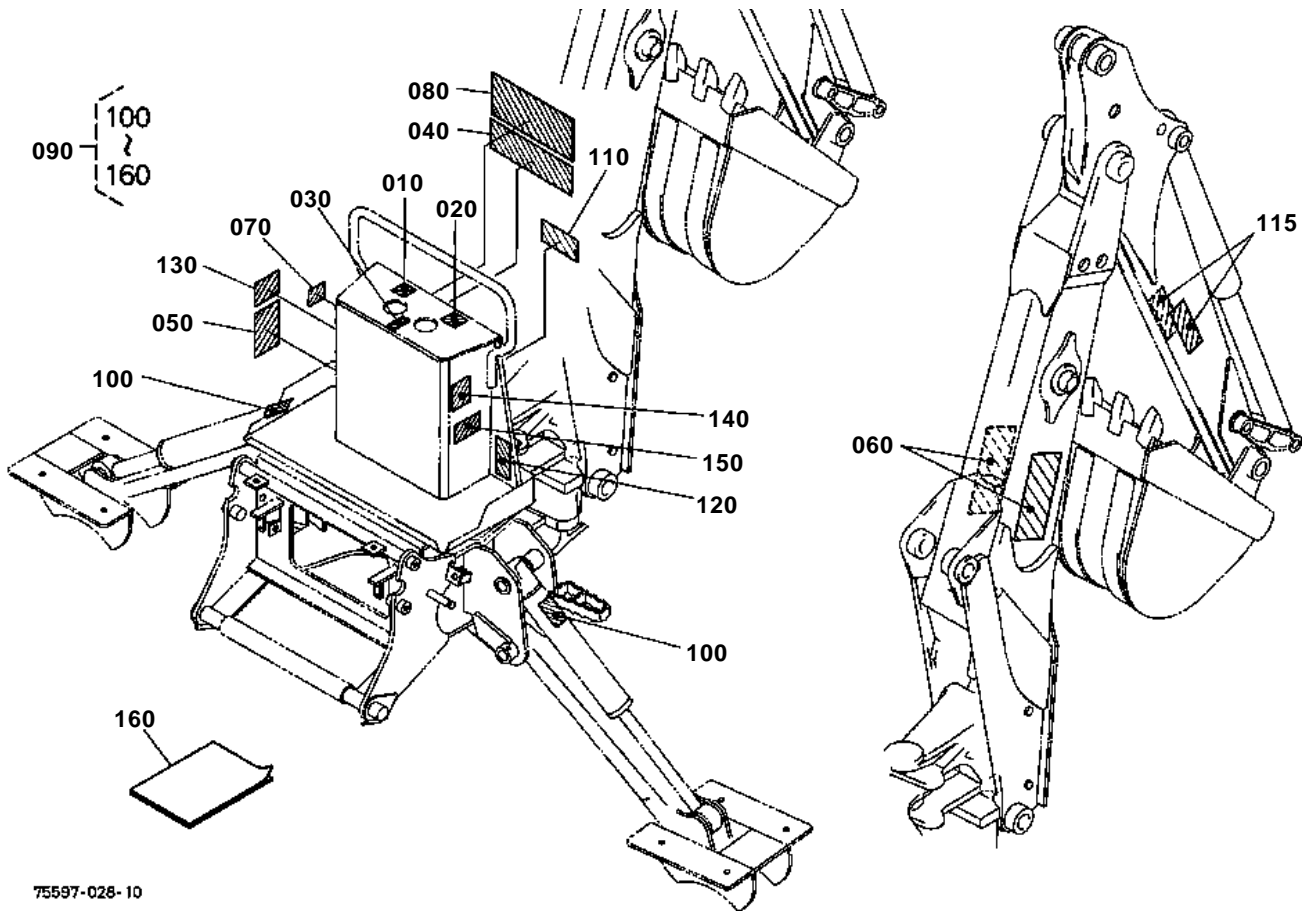
75597-803-10



## LABEL [ENGLISH]

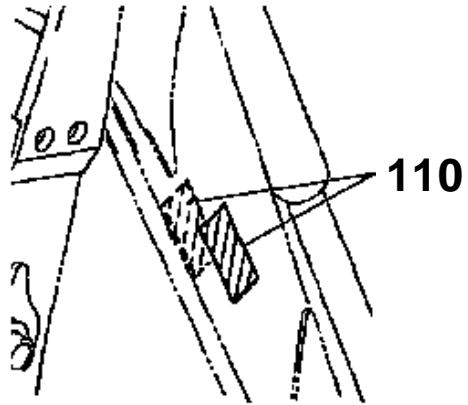
↔ Interchangeable; ≠ not interchangeable; ← new for old; → old for new

REF.No	Part No.	Description	Q'ty	S.No.	I/C	REMARKS	Weight (kgf)	Weight (lb)
010	75590-75110	LABEL 1 CONTROL LEVE	1				0.001	0.0022
020	75590-75120	LABEL 2 CONTROL LEVE	1				0.001	0.0022
030	75590-75130	LABEL 3 CONTROL LEVE	1				0.001	0.0022
040	75597-75140	LABEL MODEL BT1100	1	<=12445			0.004	0.0088
040	75597-75142	LABEL MODEL BT1100	1	>=12446	1		0.004	0.0088
050	75595-75150	LABEL INSTRUCTION	1	<=11635			0.02	0.044
050	75597-75150	LABEL INSTRUCTION	1	>=11636	1		0.022	0.0484
060	75597-75170	LABEL DANGER	3	<=11790			0	0
060	75597-75172	LABEL DANGER	3	>=11791	1		0.006	0.0132
060	75597-75172	LABEL DANGER	1	>=12022			0.006	0.0132
065	75595-75170	LABEL 1 WARNING	2	>=12022			0.004	0.0088
070	75580-58450	LABEL KUBOTA	2	<=12445			0.01	0.022
070	TD060-80930	LABEL KUBOTA	2	>=12446	1		0.007	0.0154
080	75597-75210	LABEL MODEL	1	<=12445			0	0
080	75597-75212	LABEL MODEL	1	>=12446	1		0	0
090	75595-75240	LABEL 2 WARNING	1				0.007	0.0154
100	75590-75260	LABEL SWING	2				0.003	0.0066
110	75590-75270	LABEL 2 CAUTION	1				0.007	0.0154
120	75597-75280	LABEL 3 WARNING	1				0.003	0.0066
130	75595-75292	LABEL 4 WARNING	1	<=10003			0	0
130	75595-75293	LABEL 4 WARNING	1	>=10004	1		0.01	0.022
140	75585-58470	LABEL L48	1	<=12445			0.005	0.011
140	32771-49440	MARK(L48)	1	>=12446	1		0	0



75597-028-10

# OLD PARTS



75597-804-10



**LABEL [FRENCH]**

↔ Interchangeable; ≠ not interchangeable; ← new for old; → old for new

REF.No	Part No.	Description	Q'ty	S.No.	I/C	REMARKS	Weight (kgf)	Weight (lb)
010	75590-75110	LABEL 1 CONTROL LEVE	1				0.001	0.0022
020	75590-75120	LABEL 2 CONTROL LEVE	1				0.001	0.0022
030	75590-75130	LABEL 3 CONTROL LEVE	1				0.001	0.0022
040	75597-75140	LABEL MODEL BT1100	1	<=12445			0.004	0.0088
040	75597-75142	LABEL MODEL BT1100	1	>=12446	1		0.004	0.0088
050	75595-75150	LABEL INSTRUCTION	1	<=11635			0.02	0.044
050	75597-75150	LABEL INSTRUCTION	1	>=11636	↔		0.022	0.0484
060	75580-58450	LABEL KUBOTA	2	<=12445			0.01	0.022
060	TD060-80930	LABEL KUBOTA	2	>=12446	1		0.007	0.0154
070	75597-75210	LABEL MODEL	1	<=12445			0	0
070	75597-75212	LABEL MODEL	1	>=12446	1		0	0
080	75585-58470	LABEL L48	1	<=12445			0.005	0.011
080	32771-49440	MARK(L48)	1	>=12446	1		0	0
090	75597-95100	KIT FRENCH BT1100	1	<=12021			0	0
090	75597-95102	KIT FRENCH BT1100	1	>=12022	↔		0	0
090	75597-95103	KIT FRENCH BT1100	1	>=12382	1		0.12	0.264
100	75590-95260	LABEL SWING	2				0.001	0.0022
110	75597-95170	LABEL DANGER(F)	3	<=12021			0.001	0.0022
110	75597-95170	LABEL DANGER(F)	1	>=12022			0.001	0.0022
115	75595-95170	LABEL 1 WARNING CF	2	>=12022			0.007	0.0154
120	75595-95240	LABEL2 WARNING CF	1				0	0
130	75595-95270	LABEL2 CAUTION CF	1				0.001	0.0022
140	75597-95280	LABEL 3 WARNING (F)	1				0.2	0.44
150	75595-95290	LABEL 4 WARNING CF	1				0.001	0.0022
160	75597-95910	OPERATOR'S MANUAL(F)	1	<=12021			0	0
160	75597-95912	OPERATOR'S MANUAL(F)	1	>=12022	↔		0.1	0.22
160	75597-95913	OPERATOR'S MANUAL(F)	1	>=12382	1		0.035	0.077

**ACCESSORIES AND SERVICE PARTS  
ACCESSOIRES ET PIECES DE SERVICE  
SONTIGES ZUBEHOER UND SERVICE-TEILE**

TITLE-001-10



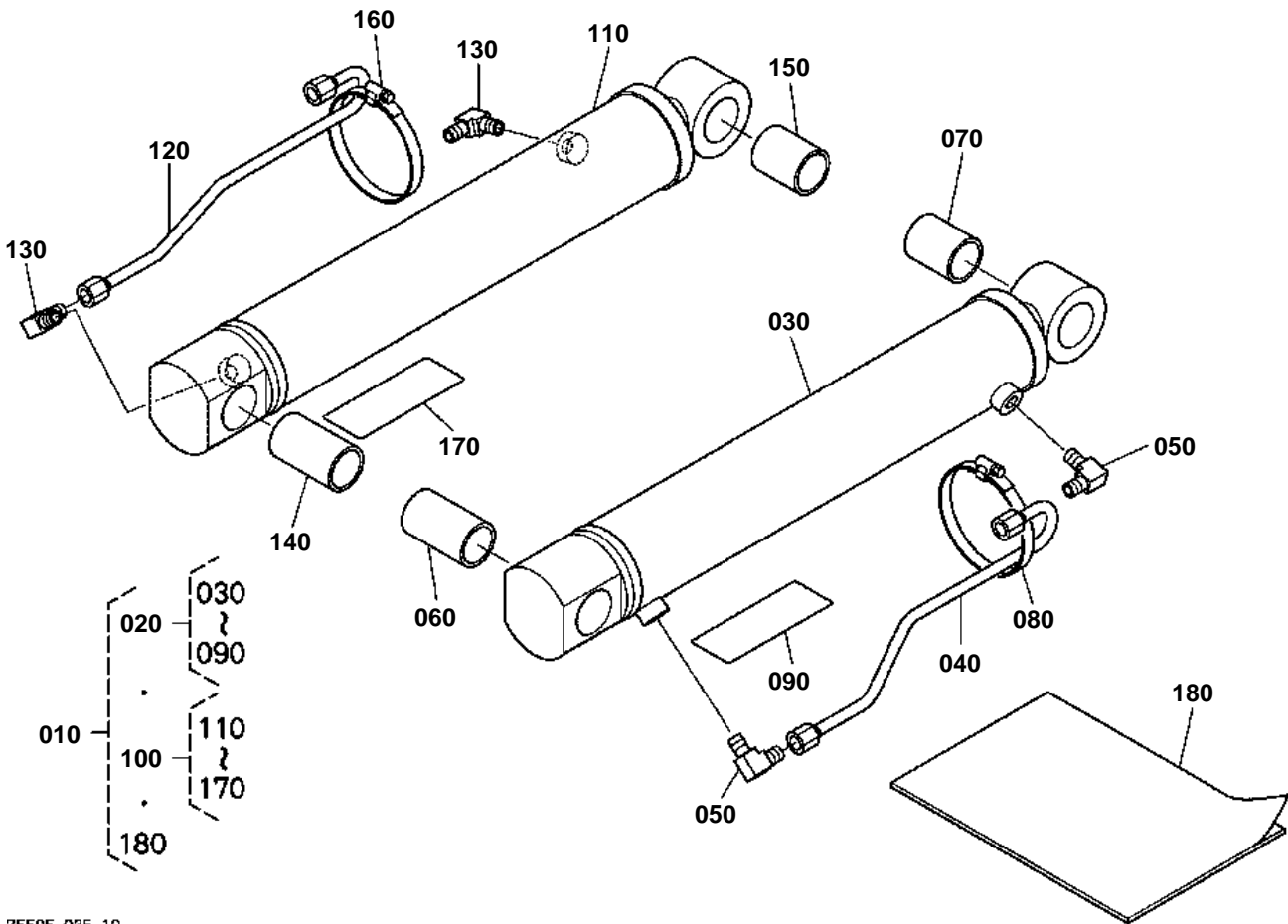
## ACCESSORIES AND SERVICE PARTS

↔ Interchangeable; ≠ not interchangeable; ← new for old; → old for new

REF.No	Part No.	Description	Q'ty	S.No.	I/C	REMARKS	Weight (kgf)	Weight (lb)
010	75597-79910	OPERATOR'S MANUAL	1	<=12021			0	0
010	75597-79913	OPERATOR'S MANUAL	1	>=12022	→		0.09	0.198
010	75597-79914	OPERATOR'S MANUAL	1	>=12382	↑		0.09	0.198



STABILIZER CYLINDER KIT [OPTION]



75595-035-10

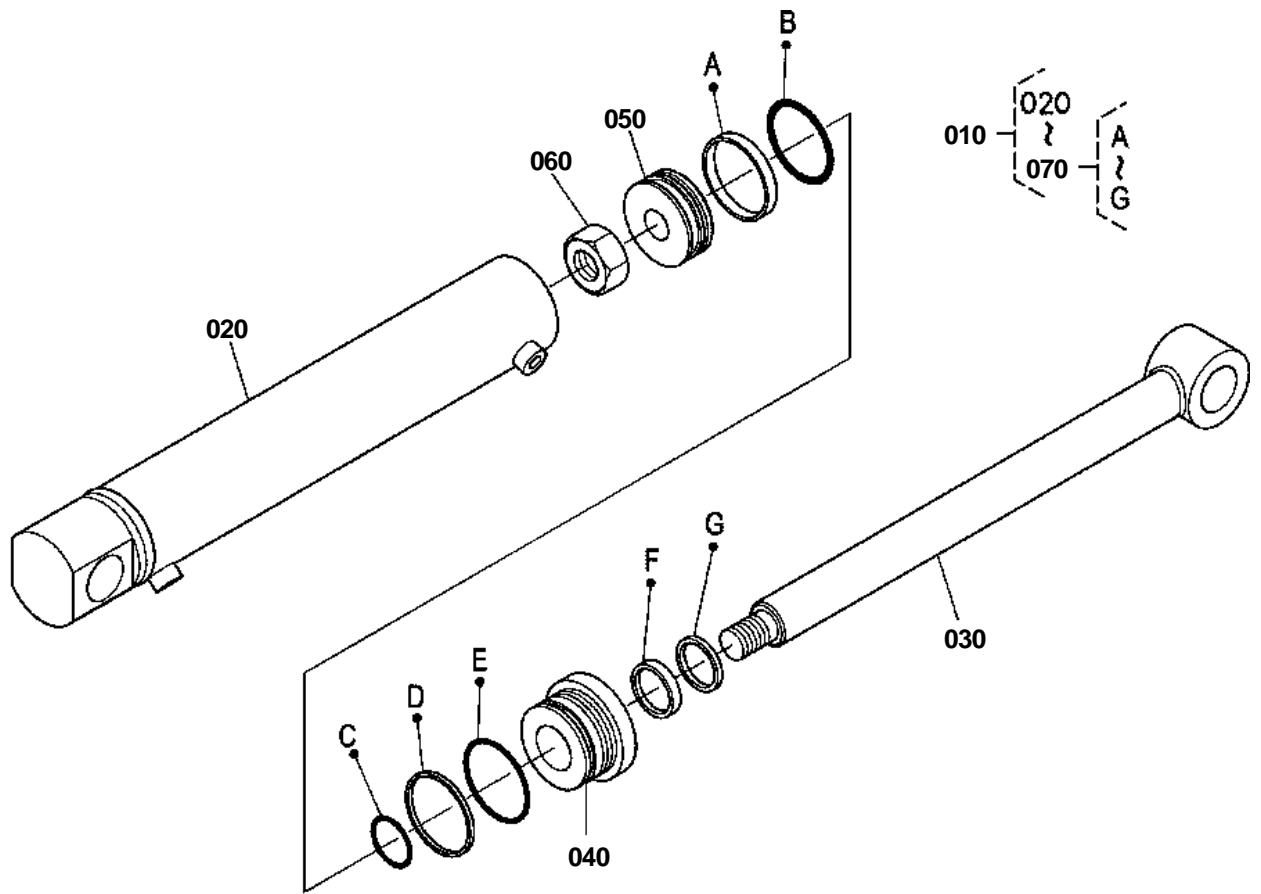


## STABILIZER CYLINDER KIT [OPTION]

↔ Interchangeable; ≠ not interchangeable; ← new for old; → old for new

REF.No	Part No.	Description	Q'ty	S.No.	I/C	REMARKS	Weight (kgf)	Weight (lb)
010	75597-97100	KIT CYLINDER STA	1				0	0
020	75597-97110	COMP CYLINDER LH	1				0	0
030	75597-52010	ASSY CYLINDER LH STA	1				0	0
040	75597-52060	COMP PIPE LH	1				0.15	0.33
050	K6072-63660	ADAPTER	2				0.043	0.0946
060	75595-33120	BUSHING	1				0.26	0.572
070	75595-33130	BUSHING	1				0.2	0.44
080	75595-43510	CLAMP HOSE	1				0.04	0.088
090	75590-75260	LABEL SWING	1				0.003	0.0066
100	75597-97120	COMP CYLINDER RH	1				0	0
110	75597-52020	ASSY CYLINDER RH STA	1				0	0
120	75597-52070	COMP PIPE RH	1				0.15	0.33
130	K6072-63660	ADAPTER	2				0.043	0.0946
140	75595-33120	BUSHING	1				0.26	0.572
150	75595-33130	BUSHING	1				0.2	0.44
160	75595-43510	CLAMP HOSE	1				0.04	0.088
170	75590-75260	LABEL SWING	1				0.003	0.0066
180	75597-97130	MANUAL ASSEMBLY	1				0	0

STABILIZER CYLINDER LH [COMPONENT PARTS] [OPTION]



75595-036-10

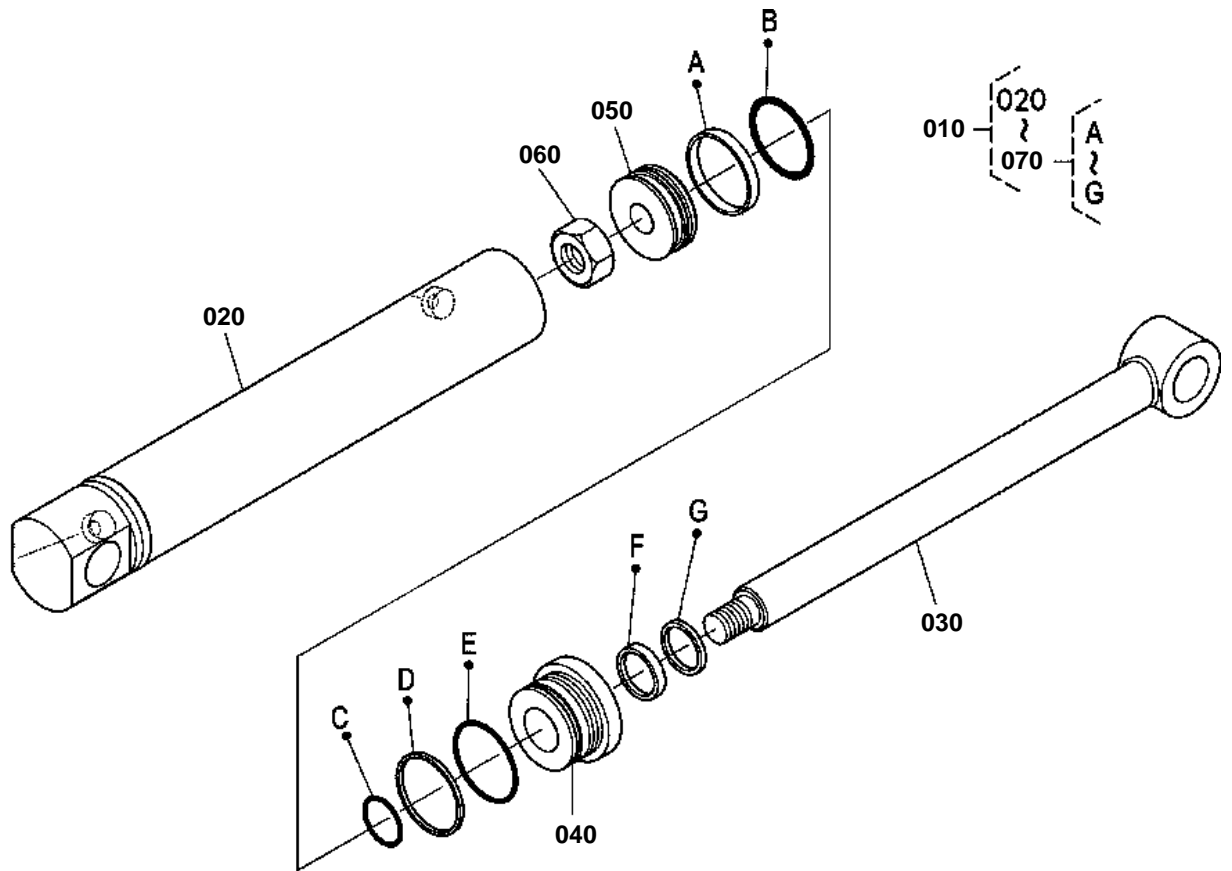


# STABILIZER CYLINDER LH [COMPONENT PARTS] [OPTION]

↔ Interchangeable; ≠ not interchangeable; ← new for old; → old for new

REF.No	Part No.	Description	Q'ty	S.No.	I/C	REMARKS	Weight (kgf)	Weight (lb)
010	75597-52010	ASSY CYLINDER LH STA	1				0	0
020	75597-52030	COMP TUBE LH STABI.	1				0	0
030	75597-52050	COMP ROD STABI.	1				0	0
040	75597-52110	HEAD	1				0	0
050	75597-52210	PISTON	1				0	0
060	75597-52310	NUT	1				0	0
070	75597-52300	KIT SEAL	1				0	0

STABILIZER CYLINDER RH [COMPONENT PARTS] [OPTION]



75595-037-10



# STABILIZER CYLINDER RH [COMPONENT PARTS] [OPTION]

↔ Interchangeable; ≠ not interchangeable; ← new for old; → old for new

REF.No	Part No.	Description	Q'ty	S.No.	I/C	REMARKS	Weight (kgf)	Weight (lb)
010	75597-52020	ASSY CYLINDER RH STA	1				0	0
020	75597-52040	COMP TUBE RH STABI.	1				0	0
030	75597-52050	COMP ROD STABI.	1				0	0
040	75597-52110	HEAD	1				0	0
050	75597-52210	PISTON	1				0	0
060	75597-52310	NUT	1				0	0
070	75597-52300	KIT SEAL	1				0	0