

Instructions for Parts Books

The heading at the top of the page will be the same for the picture of the parts as it is for the page with the part numbers.

Definition of column headings on part number pages:

REF.No → The number referring to the part on the picture page of the parts book.

Part No. → The number assigned to this part at the time of printing the parts book.

Description → Description of part.

Q'ty → Quantity of part used on that page.

S.No. → Serial number range of the equipment that this part will fit.

>= Your serial number should be greater than or equal to the number shown.

<= Your serial number should be lesser than or equal to the serial number shown.

I/C → Interchangeability of part shown.

↔ The part shown will work for the older and later serial number.

The part shown is not interchangeable with the other serial number.

← new for old

→ old for new

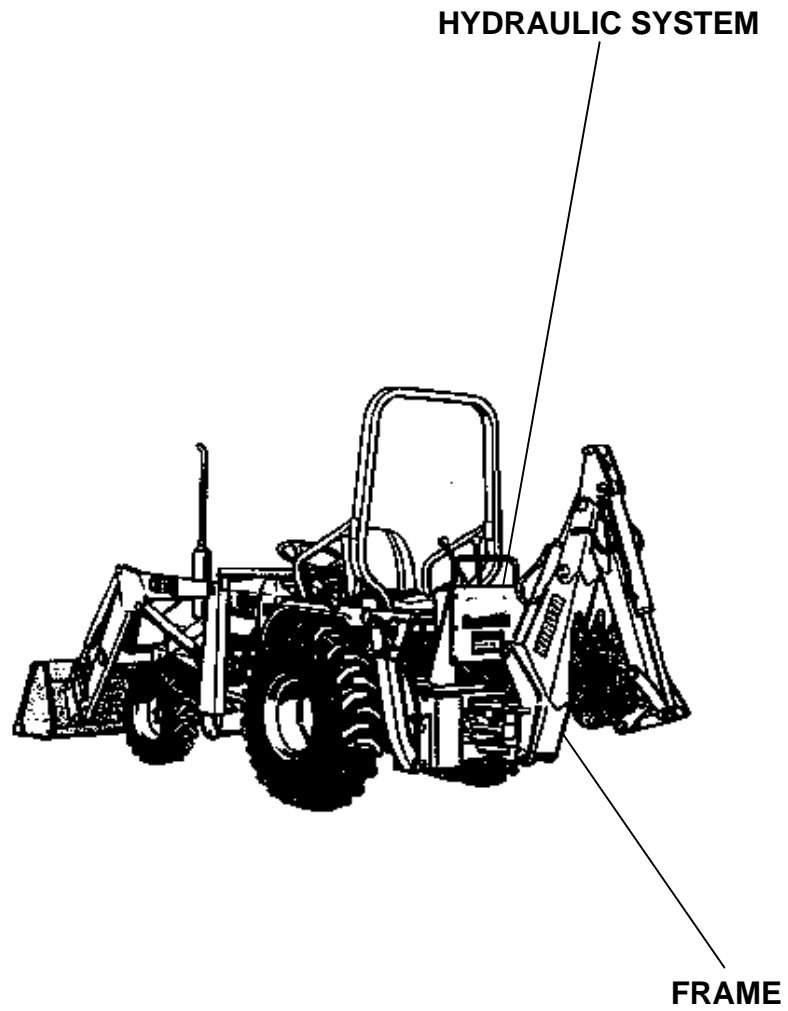
Remarks → Notes about this particular part. Sometimes this may say except [FR] or [CA]

Note about Country Codes:

The parts books we use in the United States of America may also contain information about a part that would be different in another country. It is important that you are aware of the country codes in some instances.

Symbol	Country
A	United States of America
CA	Canada
FR	France
GR	Greece
PO	Portugal
AU	Australia

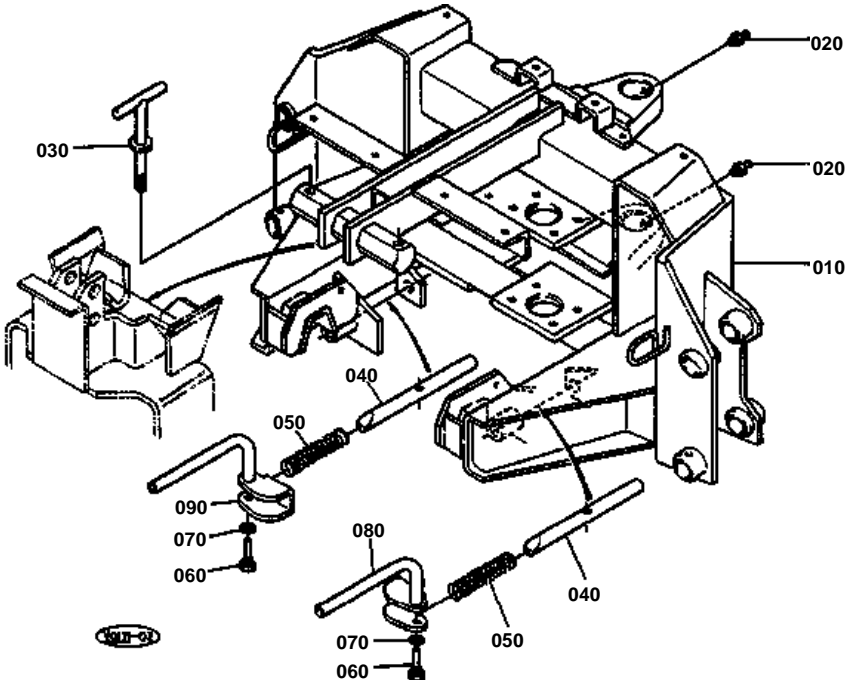
If the remarks column says for example EXCEPT [FR] this part works in all countries except France. That means it will work here in the USA.



LABELS
ACCESSORIES AND SERVICE PARTS

Item	Part No.	Description	Book
FRAME	01B01	MAIN FRAME	100K0103
	01B02	SWING FRAME	100K0103
HYDRAULIC SYSTEM	01B03	CYLINDER (SWING) [COMPONENT PARTS]	100K0103
	01B04	BOOM	100K0103
	01B0501	CYLINDER (BOOM) [COMPONENT PARTS]	100K0103
	01B06	DIPPERSTICK (CROWD)	100K0103
	01B0701	CYLINDER (ARM) [COMPONENT PARTS]	100K0103
	01B08	BUCKET	100K0103
	01B0901	CYLINDER (BUCKET) [COMPONENT PARTS]	100K0103
	01B10	STABILIZER ARM	100K0103
	01B11	CYLINDER (STABILIZER) [COMPONENT PARTS]	100K0103
	01B12	LOCK BAR/STEP	100K0103
	01B1302	CONTROL VALVE	100K0103
	01B1402	CONTROL VALVE [COMPONENT PARTS]	100K0103
	01B15	HYDRAULIC HOSE 1,2 (QUICK COUPLER)	100K0103
	01B16	HYDRAULIC HOSE (SWING)	100K0103
	01B17	HYDRAULIC HOSE (BOOM/ARM)	100K0103
	01B1801	HYDRAULIC HOSE (BUCKET)	100K0103
	01B19	HYDRAULIC HOSE (STABILIZER)	100K0103
	01B2002	CONTROL LEVER 1	100K0103
	01B21	CONTROL LEVER 2	100K0103
	01B22	SWING SENSOR	100K0103
LABELS	01B23	CONTROL UNIT	100K0103
	01B24	LABEL	100K0103
ACCESSORIES AND SERVICE PARTS	01B25	ACCESSORIES AND SERVICE PARTS	100K0103

MAIN FRAME

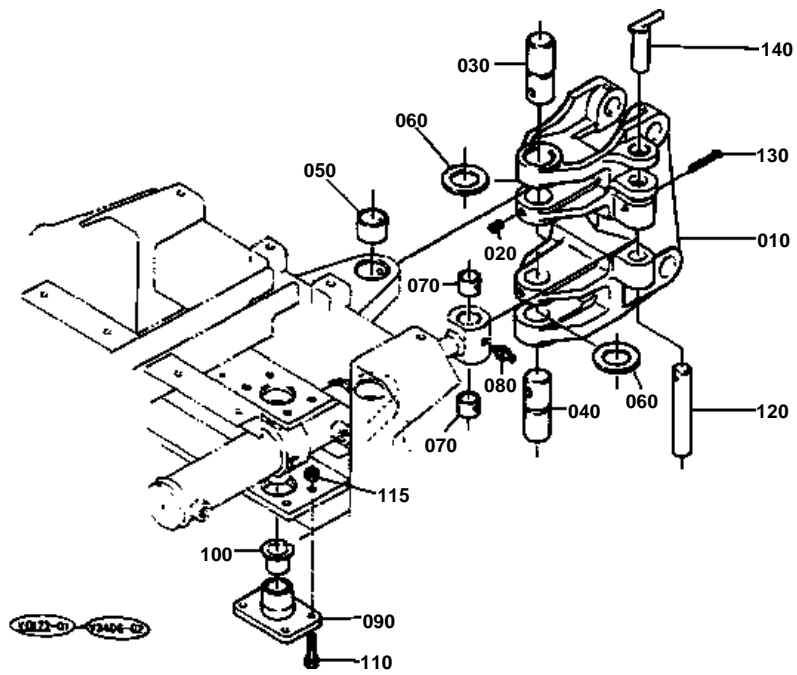


**MAIN FRAME**

↔ Interchangeable; ≠ not interchangeable; ← new for old; → old for new

REF.No	Part No.	Description	Q'ty	S.No.	I/C	REMARKS	Weight (kgf)	Weight (lb)
010	78620-11013	COMP.FRAME,MAIN	1				0	0
020	06613-10010	NIPPLE,GREASE	2				0.006	0.0132
030	78620-11513	BOLT,MOUNTING	2				0.3	0.66
040	78620-11520	PIN,SET	2				0.535	1.177
050	78620-11542	SPRING	2				0.065	0.143
060	78620-11550	BOLT,SET	2				0.03	0.066
070	04512-50100	WASHER,SPRING	2				0	0
080	78620-11613	LEVER,CAM LH	1				0.59	1.298
090	78620-11623	LEVER,CAM RH	1				0.595	1.309

SWING FRAME

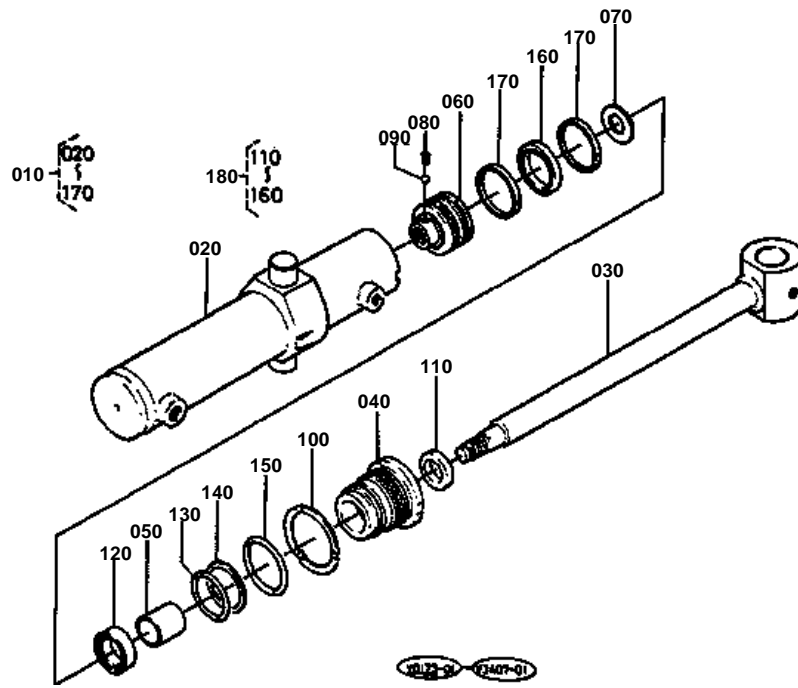


**SWING FRAME**

↔ Interchangeable; ≠ not interchangeable; ← new for old; → old for new

REF.No	Part No.	Description	Q'ty	S.No.	I/C	REMARKS	Weight (kgf)	Weight (lb)
010	78620-12110	FRAME,SWING	1				19.2	42.24
020	03671-51020	SCREW,SET	2				0.01	0.022
030	78620-12210	PIN	1				1	2.2
040	78620-12220	PIN	1				1	2.2
050	78620-12250	BUSH	2				0.05	0.11
060	78620-12260	WASHER,THRUST	2				0.035	0.077
070	78620-13410	BUSH	4				0.02	0.044
080	06613-10010	NIPPLE,GREASE	2				0.006	0.0132
090	78620-14110	SUPPORT,CYLINDER	4				1	2.2
100	78620-14120	BUSH	4				0.04	0.088
110	01133-51240	BOLT	16				0.05	0.11
115	02174-50120	NUT	16				0.01	0.022
120	78620-14150	PIN	2				0.57	1.254
130	05511-50660	PIN,SPLIT	2				0.015	0.033
140	78620-14210	PIN,LOCK	1				0.3	0.66

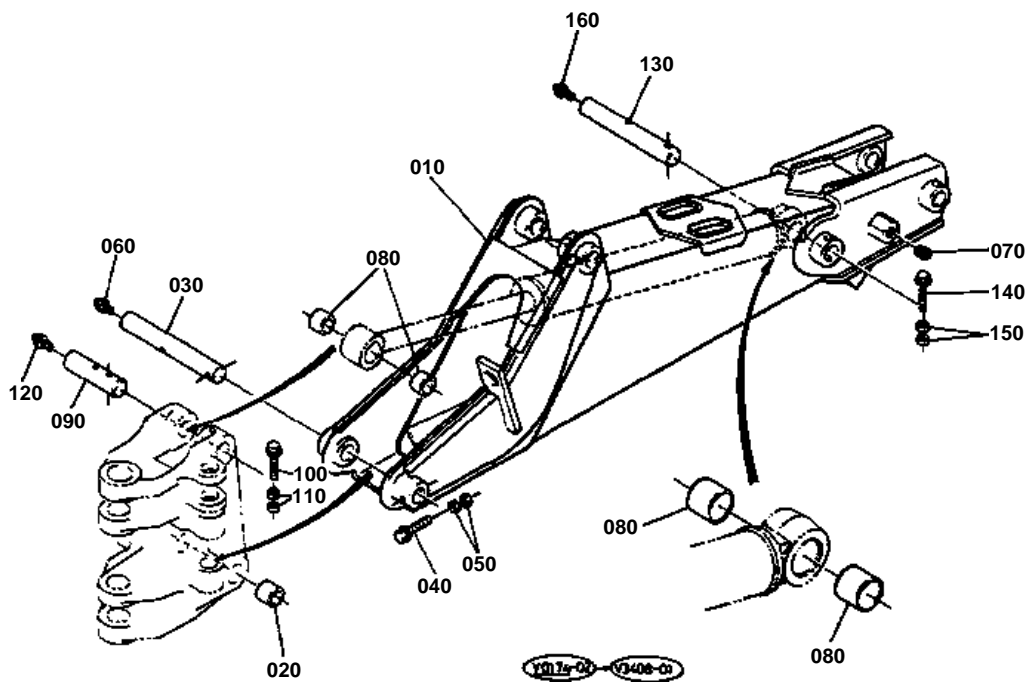
CYLINDER (SWING) [COMPONENT PARTS]



**CYLINDER (SWING) [COMPONENT PARTS]**

↔ Interchangeable; ≠ not interchangeable; ← new for old; → old for new

REF.No	Part No.	Description	Q'ty	S.No.	I/C	REMARKS	Weight (kgf)	Weight (lb)
010	78620-13010	ASSY CYLINDER,SWING	2				9.7	21.34
020	78620-13030	COMP.TUBE,CYLINDER	2				5	11
030	78620-13050	COMP.ROD,PISTON	2				3.1	6.82
040	68861-93130	CYLINDER HEAD	2				0.93	2.046
050	68841-93240	BUSH	2				0.03	0.066
060	78620-13210	PISTON	2				0.6	1.32
070	78620-13220	SHIM	2				0.003	0.0066
080	68701-71640	SCREW,SET	2				0.005	0.011
090	68701-71650	BALL	2				0.005	0.011
100	68811-93620	WASHER,LOCK	2				0.014	0.0308
110	68511-71440	RING,WIPER	2				0.01	0.022
120	68051-67430	U-RING	2				0.01	0.022
130	04810-50550	O RING	2				0.002	0.0044
140	68811-93660	RING,BACK UP	2				0.003	0.0066
150	68481-71260	O RING	2				0.003	0.0066
160	68811-93680	ASSY RING,SEAL	2				0.013	0.0286
170	78620-13280	RING,SLIDE	4				0.01	0.022
180	78620-13300	KIT SEAL,CYLINDER	1				0.04	0.088

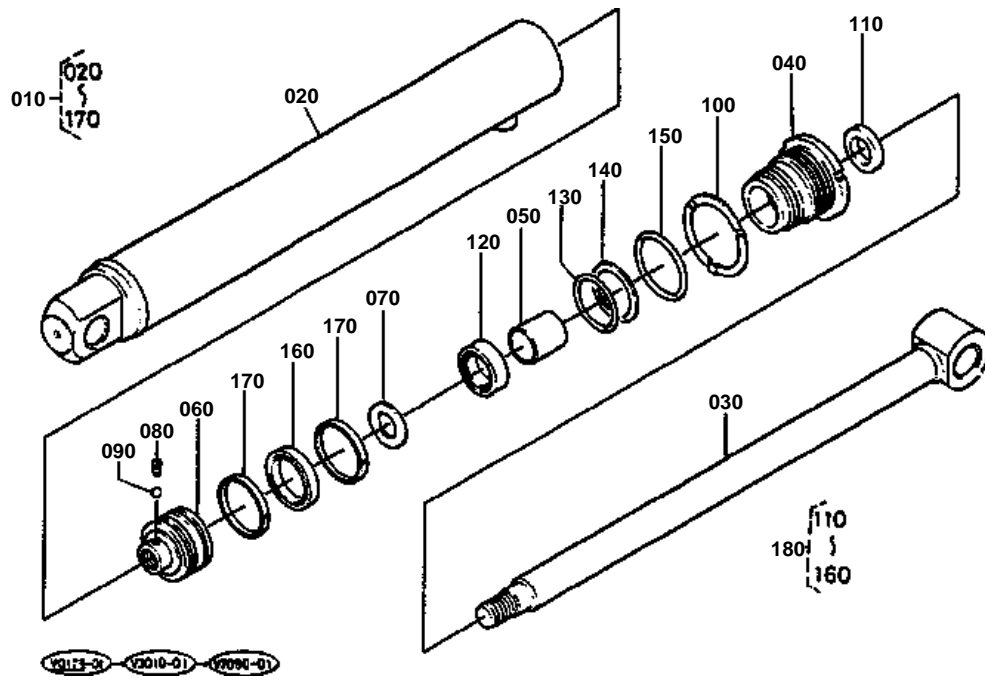


**BOOM**

↔ Interchangeable; ≠ not interchangeable; ← new for old; → old for new

REF.No	Part No.	Description	Q'ty	S.No.	I/C	REMARKS	Weight (kgf)	Weight (lb)
010	78620-21010	COMP.Boom	1				49.5	108.9
020	78620-21450	RING,INNER	2				0.065	0.143
030	78620-21510	PIN	1				1.13	2.486
040	01774-51065	BOLT,FLANGE	1				0.05	0.11
050	02118-50100	NUT	2				0.005	0.011
060	06613-10675	NIPPLE,GREASE	1				0.003	0.0066
070	31351-37150	PLUG	2				0.007	0.0154
080	78620-22410	BUSH	4				0.025	0.055
090	78620-23110	PIN	1				0.625	1.375
100	01774-51075	BOLT,FLANGE	1				0.05	0.11
110	02118-50100	NUT	2				0.005	0.011
120	06613-10675	NIPPLE,GREASE	1				0.003	0.0066
130	78620-23150	PIN	1				1.05	2.31
140	01774-51065	BOLT,FLANGE	1				0.05	0.11
150	02118-50100	NUT	2				0.005	0.011
160	06613-10675	NIPPLE,GREASE	1				0.003	0.0066

CYLINDER (BOOM) [COMPONENT PARTS]

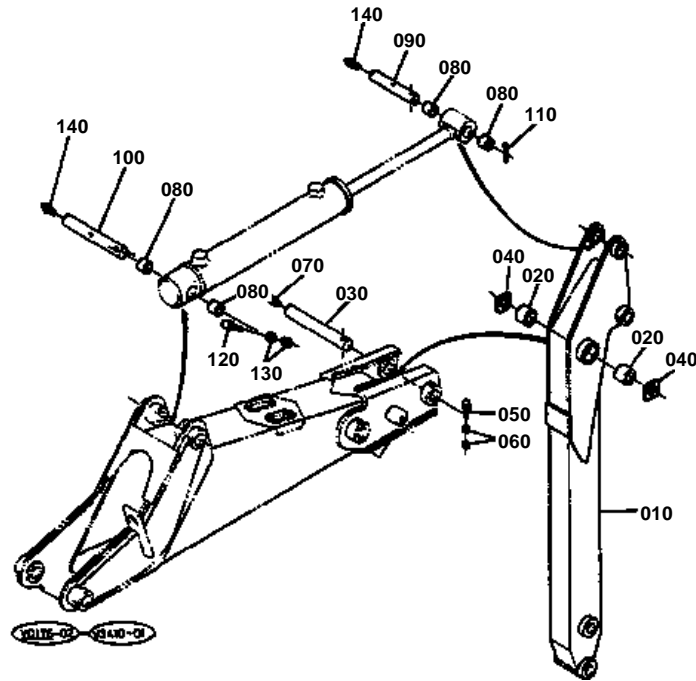


**CYLINDER (BOOM) [COMPONENT PARTS]**

↔ Interchangeable; ≠ not interchangeable; ← new for old; → old for new

REF.No	Part No.	Description	Q'ty	S.No.	I/C	REMARKS	Weight (kgf)	Weight (lb)
010	78620-22010	ASSY CYLINDER,BOOM	1				14.35	31.57
020	78620-22030	COMP.TUBE,CYLINDER	1				7.8	17.16
030	78620-22050	COMP.ROD,PISTON	1				5	11
040	78620-22110	CYLINDER HEAD	1				0.99	2.178
050	68701-71240	BUSH	1				0.02	0.044
060	78620-22210	PISTON	1				0.7	1.54
070	78620-22220	SHIM	1				0.002	0.0044
080	68701-71640	SCREW,SET	1				0.005	0.011
090	68701-71650	BALL	1				0.005	0.011
100	68021-71450	WASHER,LOCK	1				0.015	0.033
110	68701-71250	RING,WIPER	1				0.016	0.0352
120	68051-75140	U-RING	1				0.01	0.022
130	68481-71260	O RING	1				0.003	0.0066
140	68811-93790	RING,BACK UP	1				0.001	0.0022
150	68861-93360	O RING	1				0.005	0.011
160	68481-71840	ASSY RING,SEAL	1				0.015	0.033
170	78620-22280	RING,SLIDE	2				0.01	0.022
180	78620-22300	KIT SEAL,CYLINDER	1				0.05	0.11

DIPPERSTICK (CROWD)



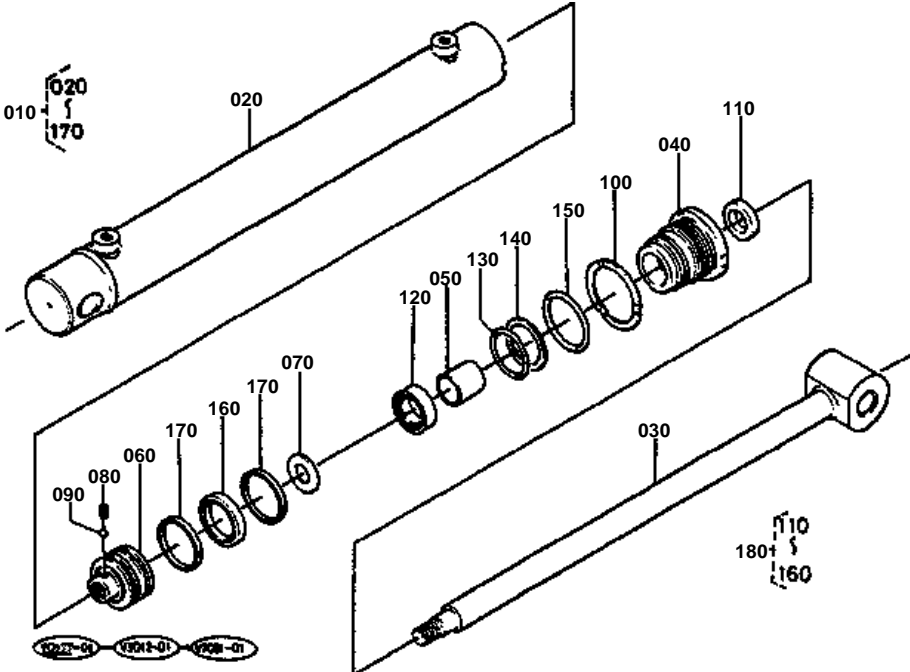


DIPPERSTICK (CROWD)

↔ Interchangeable; ≠ not interchangeable; ← new for old; → old for new

REF.No	Part No.	Description	Q'ty	S.No.	I/C	REMARKS	Weight (kgf)	Weight (lb)
010	78620-31010	DIPPERSTICK(CROWD)	1				23.2	51.04
020	78620-31510	BUSH	2				0.04	0.088
030	78620-23150	PIN	1				1.05	2.31
040	78620-31550	SPACER	2				0.035	0.077
050	01774-51065	BOLT,FLANGE	1				0.05	0.11
060	02118-50100	NUT	2				0.005	0.011
070	06613-10675	NIPPLE,GREASE	1				0.003	0.0066
080	78620-13410	BUSH	4				0.02	0.044
090	78620-33110	PIN	1				0.48	1.056
100	78620-33150	PIN	1				0.69	1.518
110	05511-50660	PIN,SPLIT	1				0.015	0.033
120	01774-51065	BOLT,FLANGE	1				0.05	0.11
130	02118-50100	NUT	2				0.005	0.011
140	06613-10675	NIPPLE,GREASE	2				0.003	0.0066

CYLINDER (ARM) [COMPONENT PARTS]

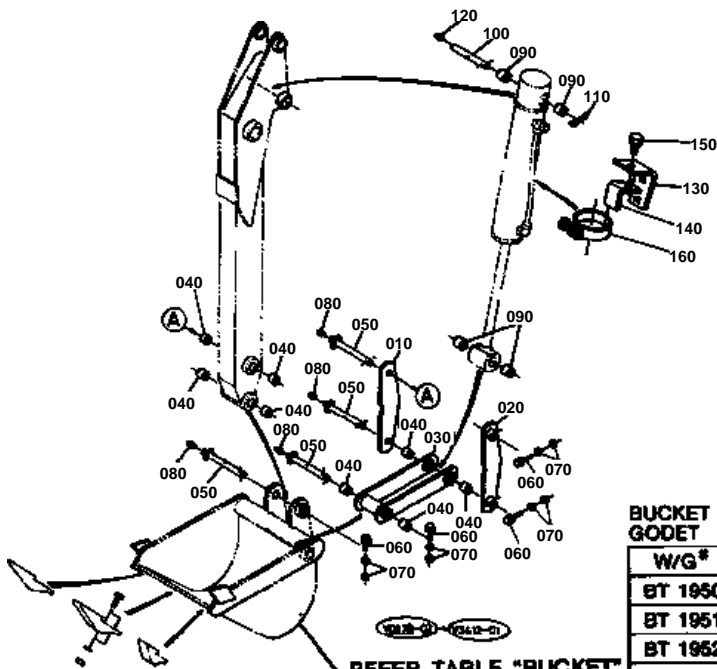


**CYLINDER (ARM) [COMPONENT PARTS]**

↔ Interchangeable; ≠ not interchangeable; ← new for old; → old for new

REF.No	Part No.	Description	Q'ty	S.No.	I/C	REMARKS	Weight (kgf)	Weight (lb)
010	78620-32010	ASSY CYLINDER,ARM	1				12.85	28.27
020	78620-32030	COMP.TUBE,CYLINDER	1				7.5	16.5
030	78620-32050	COMP.ROD,PISTON	1				4.15	9.13
040	68701-71330	CYLINDER HEAD	1				0.85	1.87
050	68721-71180	BUSH	1				0.04	0.088
060	78620-32210	PISTON	1				0.485	1.067
070	78620-13220	SHIM	1				0.003	0.0066
080	68701-71640	SCREW,SET	1				0.005	0.011
090	68701-71650	BALL	1				0.005	0.011
100	68011-61910	WASHER,LOCK	1				0.01	0.022
110	68511-71440	RING,WIPER	1				0.01	0.022
120	68051-67430	U-RING	1				0.01	0.022
130	68811-93370	O RING	1				0.002	0.0044
140	68511-71450	RING,BACK UP	1				0.001	0.0022
150	04810-50550	O RING	1				0.002	0.0044
160	68511-71490	ASSY RING,SEAL	1				0.01	0.022
170	78620-32280	RING,SLIDE	2				0.01	0.022
180	78620-32300	KIT SEAL,CYLINDER	1				0.04	0.088

BUCKET




REFER TABLE "BUCKET"
VOIR TABLE "GODET"

**BUCKET
GODET**

**OBTAINED LOCALLY
(RESERVED BY KTC)**

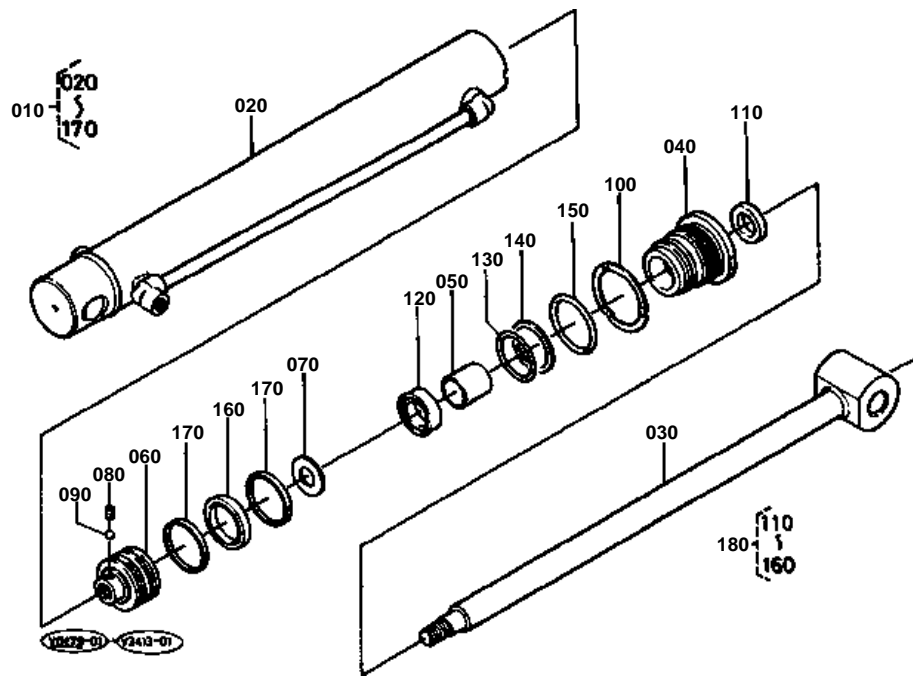
W/G*	DESCRIPTION	P/N (POINTS)	No. REQUIRE
BT 1950	10" WIDE BUCKET	70090 ~32371	3
BT 1951	12" WIDE BUCKET		3
BT 1952	16" WIDE BUCKET		4
BT 1953	24" WIDE BUCKET		5
BT 1954	36" WIDE BUCKET		7

**BUCKET**

↔ Interchangeable; ≠ not interchangeable; ← new for old; → old for new

REF.No	Part No.	Description	Q'ty	S.No.	I/C	REMARKS	Weight (kgf)	Weight (lb)
010	78620-41110	LINK,GUIDE	1				0	0
020	78620-41150	LINK,GUIDE	1				0	0
030	78620-41210	LINK,BUCKET	1				0	0
040	38280-25350	RING,INNER	8				0.04	0.088
050	78620-42610	PIN	4				0.6	1.32
060	01774-51055	BOLT,FLANGE	4				0.04	0.088
070	02118-50100	NUT	8				0.005	0.011
080	06613-10675	NIPPLE,GREASE	4				0.003	0.0066
090	78620-13410	BUSH	4				0.02	0.044
100	78620-33110	PIN	1				0.48	1.056
110	05511-50660	PIN,SPLIT	1				0.015	0.033
120	06613-10675	NIPPLE,GREASE	1				0.003	0.0066
130	78620-44210	CLAMP,MARK	1				0.135	0.297
140	78620-44220	CLAMP,MARK	1				0.07	0.154
150	01133-51020	BOLT	1				0.02	0.044
160	15606-11720	BAND,PIPE	1				0.035	0.077

CYLINDER (BUCKET) [COMPONENT PARTS]

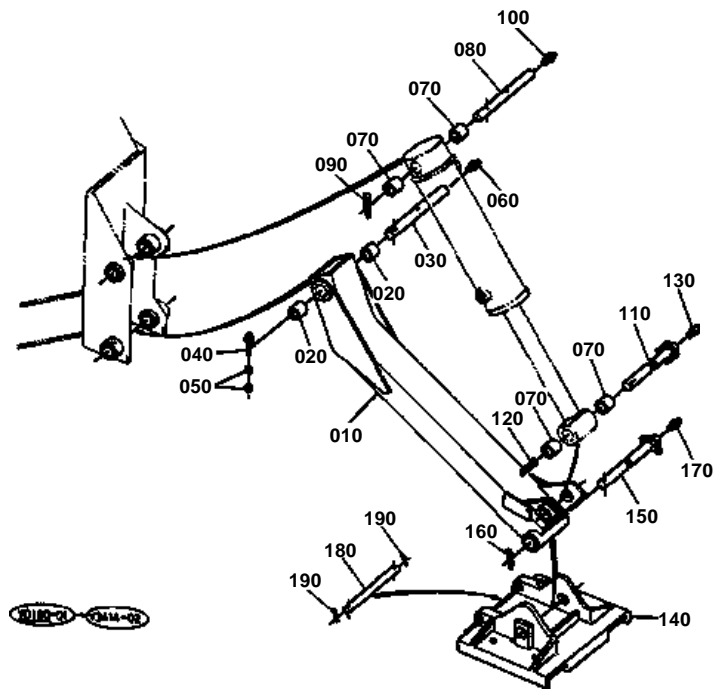


**CYLINDER (BUCKET) [COMPONENT PARTS]**

↔ Interchangeable; ≠ not interchangeable; ← new for old; → old for new

REF.No	Part No.	Description	Q'ty	S.No.	I/C	REMARKS	Weight (kgf)	Weight (lb)
010	78620-43010	CYLINDER,BUCKET	1				12.8	28.16
020	78620-43030	COMP.TUBE,CYLINDER	1				8	17.6
030	78620-43050	COMP.ROD,PISTON	1				4.1	9.02
040	68701-71330	CYLINDER HEAD	1				0.85	1.87
050	68721-71180	BUSH	1				0.04	0.088
060	78620-32210	PISTON	1				0.485	1.067
070	78620-13220	SHIM	1				0.003	0.0066
080	68701-71640	SCREW,SET	1				0.005	0.011
090	68701-71650	BALL	1				0.005	0.011
100	68011-61910	WASHER,LOCK	1				0.01	0.022
110	68511-71440	RING,WIPER	1				0.01	0.022
120	68051-67430	U-RING	1				0.01	0.022
130	68811-93370	O RING	1				0.002	0.0044
140	68511-71450	RING,BACK UP	1				0.001	0.0022
150	04810-50550	O RING	1				0.002	0.0044
160	68511-71490	ASSY RING,SEAL	1				0.01	0.022
170	78620-32280	RING,SLIDE	2				0.01	0.022
180	78620-32300	KIT SEAL,CYLINDER	1				0.04	0.088

STABILIZER ARM

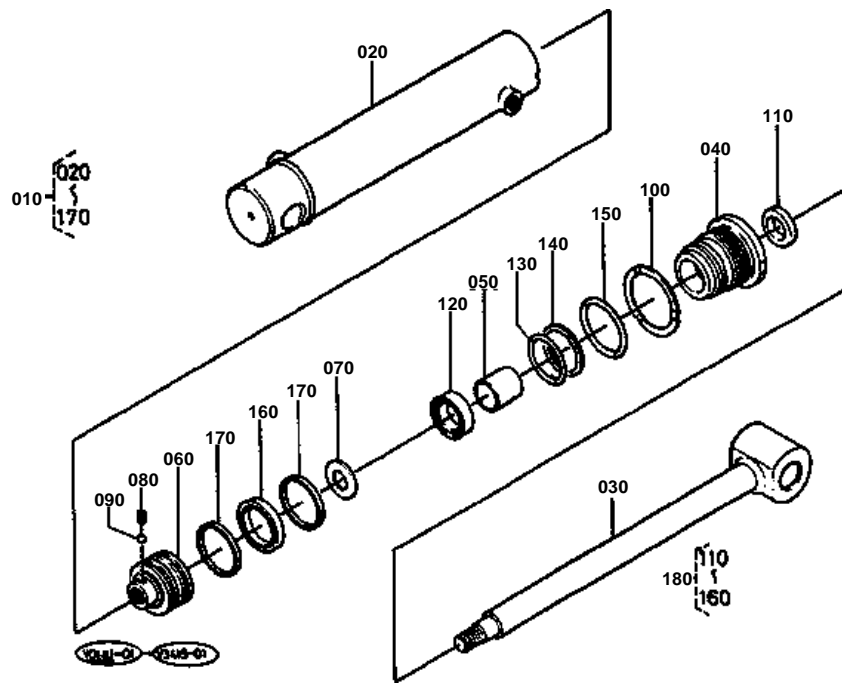


**STABILIZER ARM**

↔ Interchangeable; ≠ not interchangeable; ← new for old; → old for new

REF.No	Part No.	Description	Q'ty	S.No.	I/C	REMARKS	Weight (kgf)	Weight (lb)
010	78620-51113	ARM,STABILIZER	2				0	0
020	38280-25350	RING,INNER	4				0.04	0.088
030	78620-51210	PIN	2				0.6	1.32
040	01774-51055	BOLT,FLANGE	2				0.04	0.088
050	02118-50100	NUT	4				0.005	0.011
060	06613-10675	NIPPLE,GREASE	2				0.003	0.0066
070	78620-13410	BUSH	8				0.02	0.044
080	78620-53110	PIN	2				0.51	1.122
090	05511-50660	PIN,SPLIT	2				0.015	0.033
100	06613-10675	NIPPLE,GREASE	2				0.003	0.0066
110	70726-58440	PIN	2				0.45	0.99
120	05511-50540	PIN,SPLIT	2				0.009	0.0198
130	06613-10675	NIPPLE,GREASE	2				0.003	0.0066
140	78620-53210	PAD,STABILIZER	2				4.8	10.56
150	78620-53230	PIN	2				0.6	1.32
160	05511-50540	PIN,SPLIT	2				0.009	0.0198
170	06613-10675	NIPPLE,GREASE	2				0.003	0.0066
180	78620-53250	PIN	2				0.25	0.55
190	05511-50430	PIN,SPLIT	4				0.004	0.0088

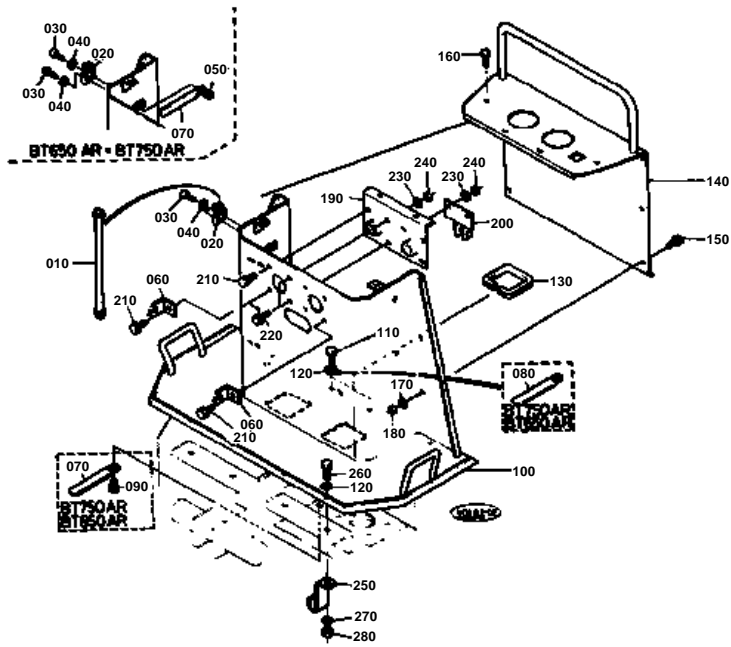
CYLINDER (STABILIZER) [COMPONENT PARTS]



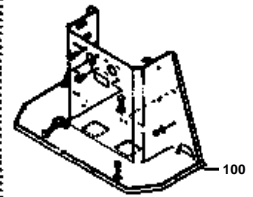
**CYLINDER (STABILIZER) [COMPONENT PARTS]**

↔ Interchangeable; ≠ not interchangeable; ← new for old; → old for new

REF.No	Part No.	Description	Q'ty	S.No.	I/C	REMARKS	Weight (kgf)	Weight (lb)
010	78620-52010	ASSY CYL.,STABILIZER	2				10.3	22.66
020	78620-52030	COMP.TUBE,CYLINDER	2				5.8	12.76
030	78620-52050	COMP.ROD,PISTON	2				3.2	7.04
040	68701-71330	CYLINDER HEAD	2				0.85	1.87
050	68721-71180	BUSH	2				0.04	0.088
060	78620-32210	PISTON	2				0.485	1.067
070	78620-13220	SHIM	2				0.003	0.0066
080	68701-71640	SCREW,SET	2				0.005	0.011
090	68701-71650	BALL	2				0.005	0.011
100	68011-61910	WASHER,LOCK	2				0.01	0.022
110	68511-71440	RING,WIPER	2				0.01	0.022
120	68051-67430	U-RING	2				0.01	0.022
130	68811-93370	O RING	2				0.002	0.0044
140	68511-71450	RING,BACK UP	2				0.001	0.0022
150	04810-50550	O RING	2				0.002	0.0044
160	68511-71490	ASSY RING,SEAL	2				0.01	0.022
170	78620-32280	RING,SLIDE	4				0.01	0.022
180	78620-32300	KITSEAL,CYLINDER	1				0.04	0.088



100 78620-6111-0

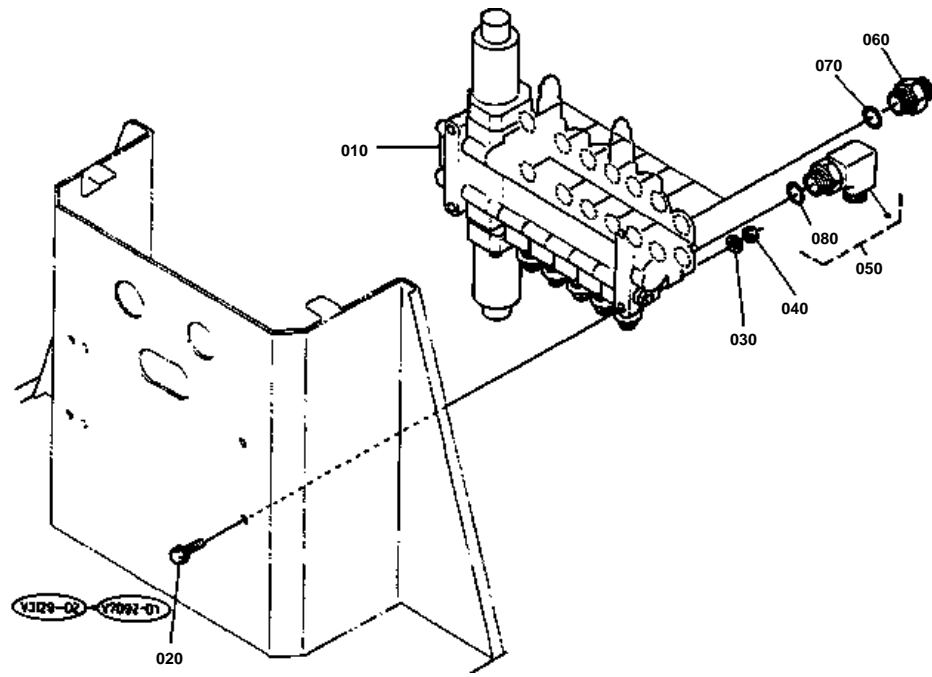


**LOCK BAR/STEP**

↔ Interchangeable; ≠ not interchangeable; ← new for old; → old for new

REF.No	Part No.	Description	Q'ty	S.No.	I/C	REMARKS	Weight (kgf)	Weight (lb)
010	78620-54120	BAR,LOCK	1				0.13	0.286
020	33251-83900	SPRING,BONNET HOLDER	1				0.008	0.0176
030	03024-50516	SCREW,WITH WASHER	2				0.004	0.0088
040	04012-50050	WASHER,PLAIN	2				0.001	0.0022
050	02054-50050	NUT	1				0.002	0.0044
060	78620-54130	INTERLOCKER	2				0.025	0.055
070	15272-67590	CLAMP,CORD	2				0.004	0.0088
080	37150-34460	CLAMP,CORD	2				0.03	0.066
090	01023-50612	BOLT	1				0.005	0.011
100	78620-61110	STEP	1	<=50462			0	0
100	78620-61114	STEP	1	>=50463	←		21	46.2
110	01133-51016	BOLT	7				0.015	0.033
120	04013-50100	WASHER,PLAIN	8				0	0
130	78620-61180	GAURD,HOSE	2				0.025	0.055
140	78620-61210	COVER,VALVE	1				4.8	10.56
150	01754-50816	BOLT,FLANGE	6				0.011	0.0242
160	01123-50816	BOLT	4				0.011	0.0242
170	04512-50080	WASHER,SPRING	6				0	0
180	02114-50080	NUT	6				0.005	0.011
190	78620-61310	SUPPORT,LEVER	1				0.775	1.705
210	01123-50820	BOLT	4				0.011	0.0242
250	78620-64120	SUPPORT,HOSE	1				0.07	0.154
260	01133-51025	BOLT	1				0.023	0.0506
270	04512-50100	WASHER,SPRING	1				0	0
280	02118-50100	NUT	1				0.005	0.011

CONTROL VALVE



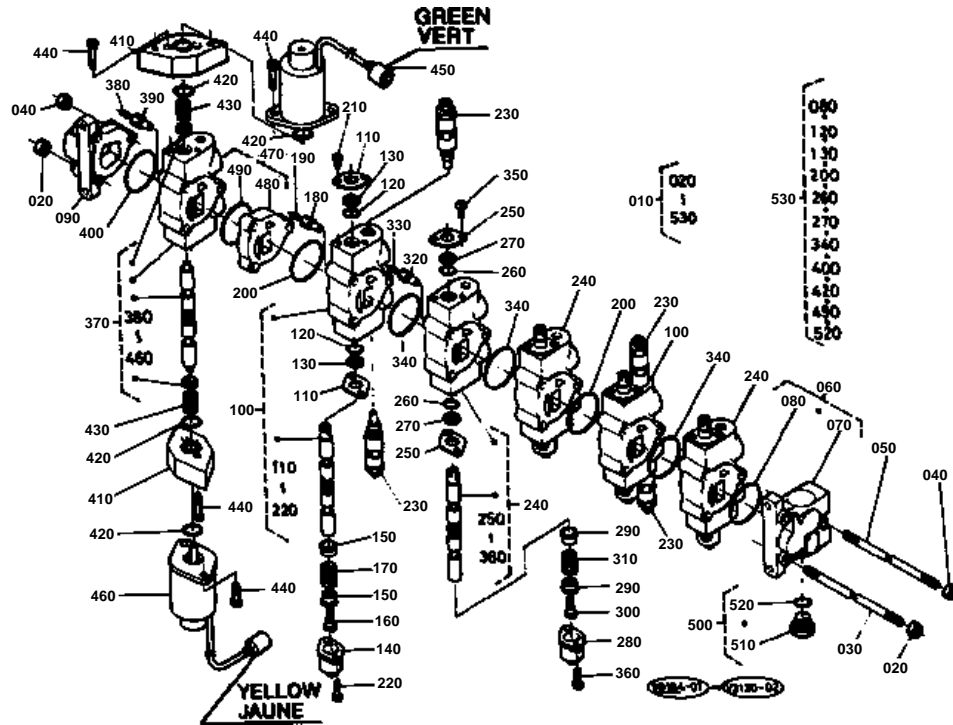


CONTROL VALVE

↔ Interchangeable; ≠ not interchangeable; ← new for old; → old for new

REF.No	Part No.	Description	Q'ty	S.No.	I/C	REMARKS	Weight (kgf)	Weight (lb)
010	78621-63010	ASSY VALVE, CONTROL	1			REFER TO L.No.0H11-R0 FOR COMPONENTS.	22.4	49.28
020	01774-51030	BOLT,FLANGE	4				0.02	0.044
030	04512-50100	WASHER,SPRING	4				0	0
040	02118-50100	NUT	4				0.005	0.011
050	70765-61150	ELBOW	7				0.135	0.297
060	70726-61150	ADAPTER	7				0.08	0.176
070	04810-00180	O RING	7				0.001	0.0022
080	04810-00180	O RING	7				0.001	0.0022

CONTROL VALVE [COMPONENT PARTS]



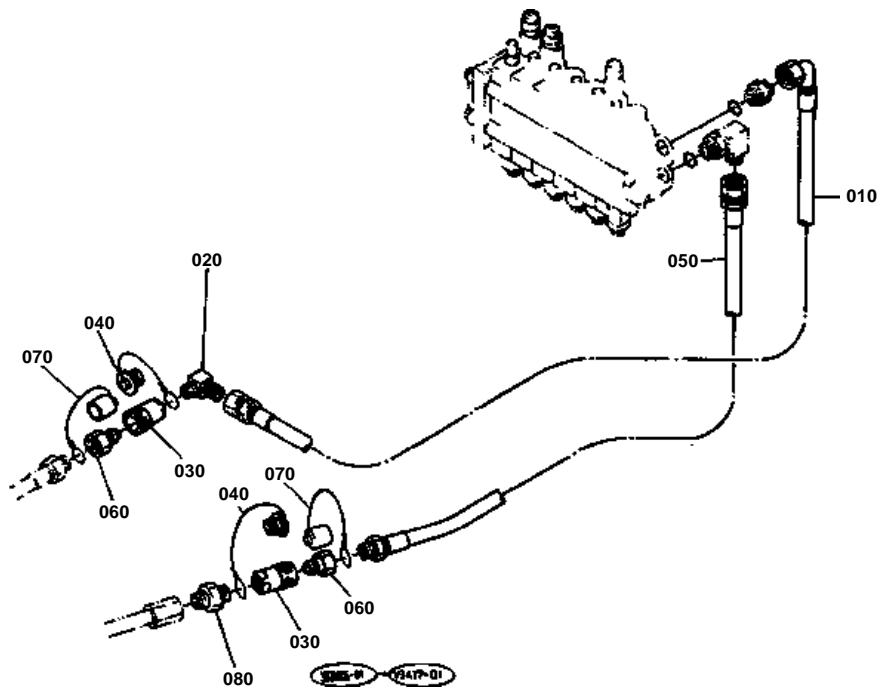


CONTROL VALVE [COMPONENT PARTS]

↔ Interchangeable; ≠ not interchangeable; ← new for old; → old for new

REF.No	Part No.	Description	Q'ty	S.No.	I/C	REMARKS	Weight (kgf)	Weight (lb)
010	78621-63010	ASSY VALVE,CONTROL	1				22.4	49.28
020	70765-78010	NUT	4				0.045	0.099
030	78621-63030	ROD,TIE	2				0.13	0.286
040	70765-78030	NUT	2				0.008	0.0176
050	78621-63040	ROD,TIE	1				0.2	0.44
060	78620-63060	ASSY INLET SECTION	1				1.48	3.256
070	78620-63070	HOUSING,INLET	1				1.44	3.168
080	70765-78250	O RING	1				0.003	0.0066
090	68131-65020	ASSY OUTLET SECTION	1				1.15	2.53
100	78620-63100	ASSY SECTION,SPOOL	2				2.22	4.884
110	70765-78300	PLATE,SEAL	4				0.013	0.0286
120	70765-78210	O RING	4				0.001	0.0022
130	70765-78230	WIPER	4				0.001	0.0022
140	70765-78430	CAP	2				0.034	0.0748
150	70765-78440	SEAT SPRING	4				0.001	0.0022
160	70765-78450	SCREW,CAP	2				0.002	0.0044
170	78620-63150	SPRING	2				0.015	0.033
180	70765-78460	POPPET	2				0.002	0.0044
190	70765-78390	SPRING	2				0.001	0.0022
200	70765-78250	O RING	2				0.003	0.0066
210	70765-78470	BOLT	4				0.003	0.0066
220	70765-78410	BOLT,SOCKET HEAD	4				0.01	0.022
230	78620-63200	ASSY VALVE,RELIEF	4				0.21	0.462
240	78620-63500	ASSY SECTION,SPOOL	3				2.3	5.06
250	70765-78300	PLATE,SEAL	6				0.013	0.0286
260	70765-78210	O RING	6				0.001	0.0022
270	70765-78230	WIPER	6				0.001	0.0022
280	70765-78430	CAP	3				0.034	0.0748
290	70765-78440	SEAT SPRING	6				0.001	0.0022
300	70765-78450	SCREW,CAP	3				0.002	0.0044
310	78620-63150	SPRING	3				0.015	0.033
320	70765-78460	POPPET	3				0.002	0.0044
330	70765-78390	SPRING	3				0.001	0.0022
340	70765-78250	O RING	3				0.003	0.0066
350	70765-78470	BOLT	6				0.003	0.0066
360	70765-78410	BOLT,SOCKET HEAD	6				0.01	0.022
370	78621-63700	ASSY SECTION,SPOOL	1				6.1	13.42
380	70765-78390	SPRING	1				0.001	0.0022
390	70765-78460	POPPET	1				0.002	0.0044
400	70765-78250	O RING	1				0.003	0.0066
410	78621-63710	PLATE	2				0.42	0.924
420	78621-63720	O RING	4				0.001	0.0022
430	78621-63730	SPRING	2				0.01	0.022
440	78621-63750	BOLT,SOCKET HEAD	8				0.005	0.011
450	78621-63810	SOLENOID GREEN	1				1.27	2.794
460	78621-63820	SOLENOID YELLOW	1				1.275	2.805
470	78621-63900	ASSY SECTION,SPACER	1				0.52	1.144
480	78621-63910	SPACER	1				0.52	1.144
490	70765-78250	O RING	1				0.003	0.0066
500	78620-63950	ASSY PLUG	1				0.045	0.099
510	78620-63960	PLUG	1				0.04	0.088
520	78620-63970	O RING	1				0.005	0.011
530	78621-63980	KIT SEAL,VALVE	1				0.03	0.066

HYDRAULIC HOSE 1,2 (QUICK COUPLER)

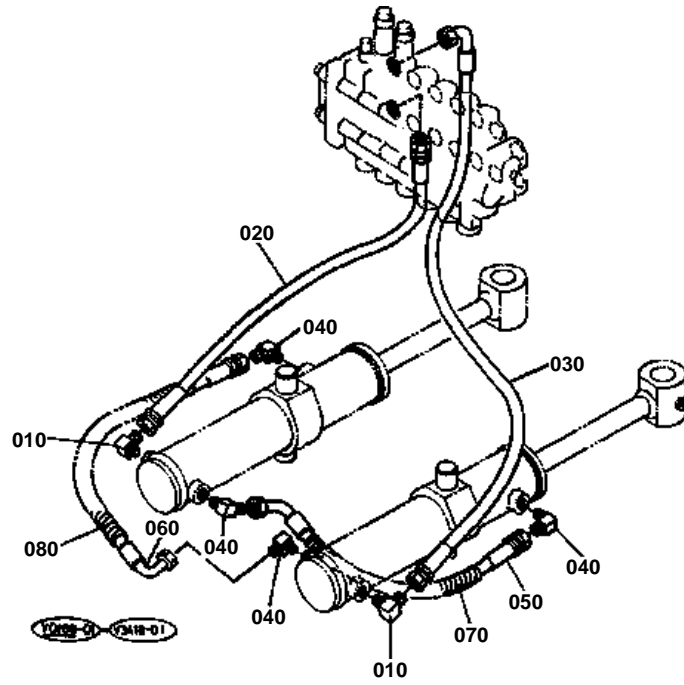




HYDRAULIC HOSE 1,2 (QUICK COUPLER)

↔ Interchangeable; ≠ not interchangeable; ← new for old; → old for new

REF.No	Part No.	Description	Q'ty	S.No.	I/C	REMARKS	Weight (kgf)	Weight (lb)
010	78620-64110	HOSE,HYDRAULIC	1				0.31	0.682
020	70726-63150	ELBOW	1				0.085	0.187
030	70726-63560	COUPLER,FEMALE	2				0.17	0.374
040	70726-63540	PLUG,COUPLER	2				0.005	0.011
050	78620-64150	HOSE,HYDRAULIC	1				0.31	0.682
060	70726-63520	COUPLER,MALE	2				0.065	0.143
070	70726-63660	CAP,COUPLER	2				0.005	0.011
080	78620-64160	ADAPTER	1				0	0



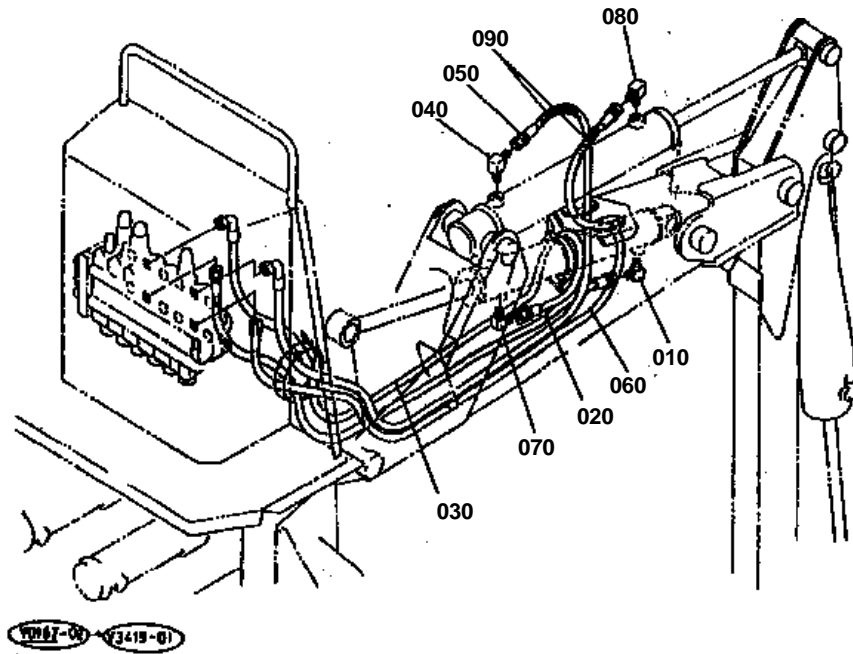


HYDRAULIC HOSE (SWING)

↔ Interchangeable; ≠ not interchangeable; ← new for old; → old for new

REF.No	Part No.	Description	Q'ty	S.No.	I/C	REMARKS	Weight (kgf)	Weight (lb)
010	78620-64210	ELBOW	2				0.095	0.209
020	78620-64230	HOSE, HYDRAULIC LH	1				0.275	0.605
030	78620-64250	HOSE, HYDRAULIC RH	1				0.23	0.506
040	36830-63030	JOINT, CYLINDER	4				0.054	0.1188
050	78620-64270	HOSE, HYDRAULIC	1				0.17	0.374
060	78620-64260	HOSE, HYDRAULIC LH	1				0.19	0.418
070	78620-64280	HOSE, GUARD	1				0.025	0.055
080	78620-64290	HOSE, GUARD	1				0.025	0.055

HYDRAULIC HOSE (BOOM/ARM)



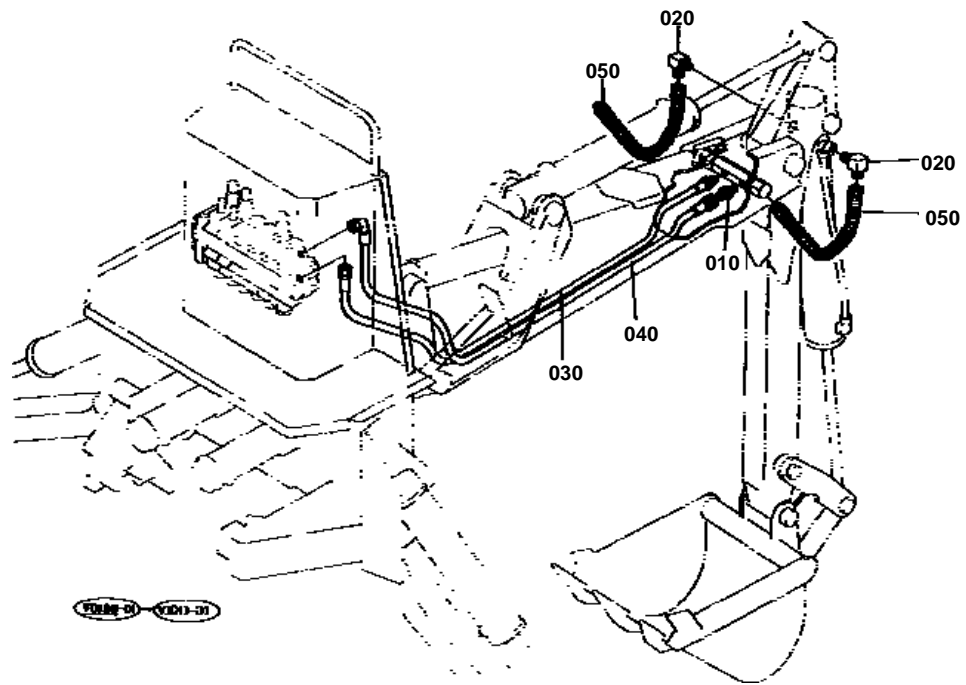


HYDRAULIC HOSE (BOOM/ARM)

↔ Interchangeable; ≠ not interchangeable; ← new for old; → old for new

REF.No	Part No.	Description	Q'ty	S.No.	I/C	REMARKS	Weight (kgf)	Weight (lb)
010	70726-63150	ELBOW	1				0.085	0.187
020	78620-64310	HOSE, HYDRAULIC	1				0.45	0.99
030	78620-64320	HOSE, HYDRAULIC	1				0.55	1.21
040	70726-63150	ELBOW	1				0.085	0.187
050	78620-64410	HOSE, HYDRAULIC	1				0.56	1.232
060	78620-64430	HOSE, HYDRAULIC	1				0.5	1.1
070	78620-64210	ELBOW	1				0.095	0.209
080	78620-64210	ELBOW	1				0.095	0.209
090	78620-64450	HOSE, GUARD	2				0.08	0.176

HYDRAULIC HOSE (BUCKET)

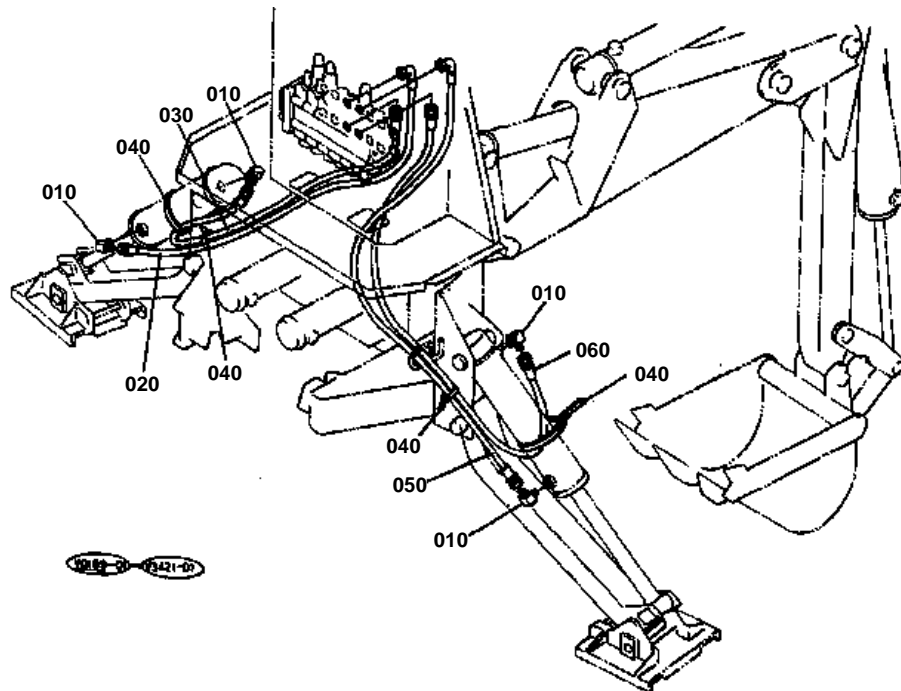




HYDRAULIC HOSE (BUCKET)

↔ Interchangeable; ≠ not interchangeable; ← new for old; → old for new

REF.No	Part No.	Description	Q'ty	S.No.	I/C	REMARKS	Weight (kgf)	Weight (lb)
010	68131-61730	ADAPTER	1				0	0
020	36830-63030	JOINT,CYLINDER	2				0.054	0.1188
030	78620-64510	HOSE,HYDRAULIC	1				0.47	1.034
040	78620-64530	HOSE,HYDRAULIC	1				0.51	1.122
050	78620-64550	HOSE,HYDRAULIC	2				0.28	0.616



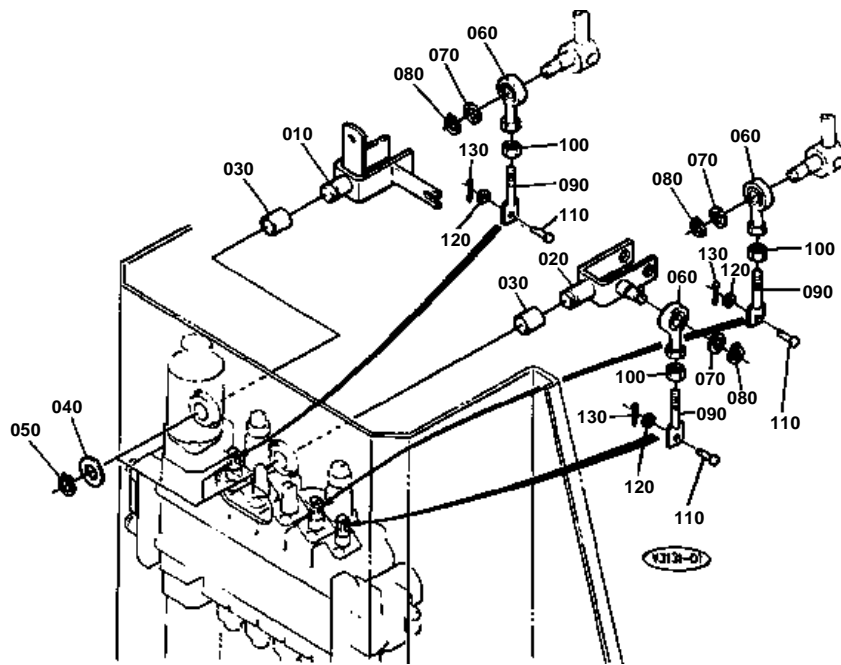


HYDRAULIC HOSE (STABILIZER)

↔ Interchangeable; ≠ not interchangeable; ← new for old; → old for new

REF.No	Part No.	Description	Q'ty	S.No.	I/C	REMARKS	Weight (kgf)	Weight (lb)
010	70726-63150	ELBOW	4				0.085	0.187
020	78620-64610	HOSE, HYDRAULIC	1				0.4	0.88
030	78620-64630	HOSE, HYDRAULIC	1				0.42	0.924
040	55311-41260	BAND, CORD	11				0.007	0.0154
050	78620-64620	HOSE, HYDRAULIC RH	1				0.385	0.847
060	78620-64640	HOSE, HYDRAULIC RH	1				0.4	0.88

CONTROL LEVER 1



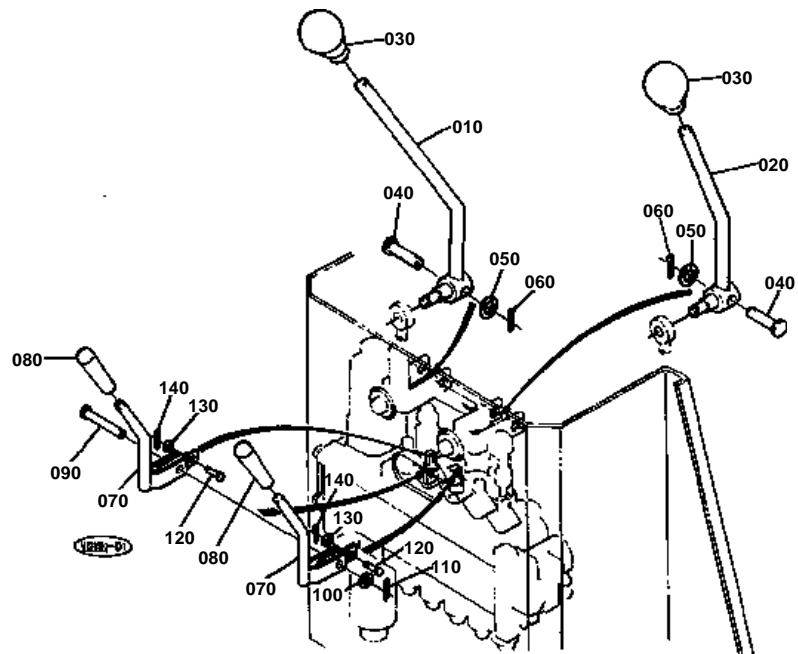


CONTROL LEVER 1

↔ Interchangeable; ≠ not interchangeable; ← new for old; → old for new

REF.No	Part No.	Description	Q'ty	S.No.	I/C	REMARKS	Weight (kgf)	Weight (lb)
010	78621-71110	LEVER	1				0.3	0.66
020	78620-71130	LEVER	1				0.22	0.484
030	08511-01520	BUSH	2				0.008	0.0176
040	04011-50140	WASHER,PLAIN	2				0.007	0.0154
050	04612-00150	CIR-CLIP,EXTERNAL	2				0.001	0.0022
060	68551-33250	JOINT	3				0.067	0.1474
070	70765-61250	COLLAR	3				0.001	0.0022
080	04612-00100	CIR-CLIP,EXTERNAL	3				0.001	0.0022
090	70765-61270	ROD	3				0.026	0.0572
100	02114-50100	NUT	3				0.005	0.011
110	68021-32790	PIN	3				0.004	0.0088
120	04012-50050	WASHER,PLAIN	3				0.001	0.0022
130	05511-51208	PIN,SPLIT	3				0.001	0.0022

CONTROL LEVER 2



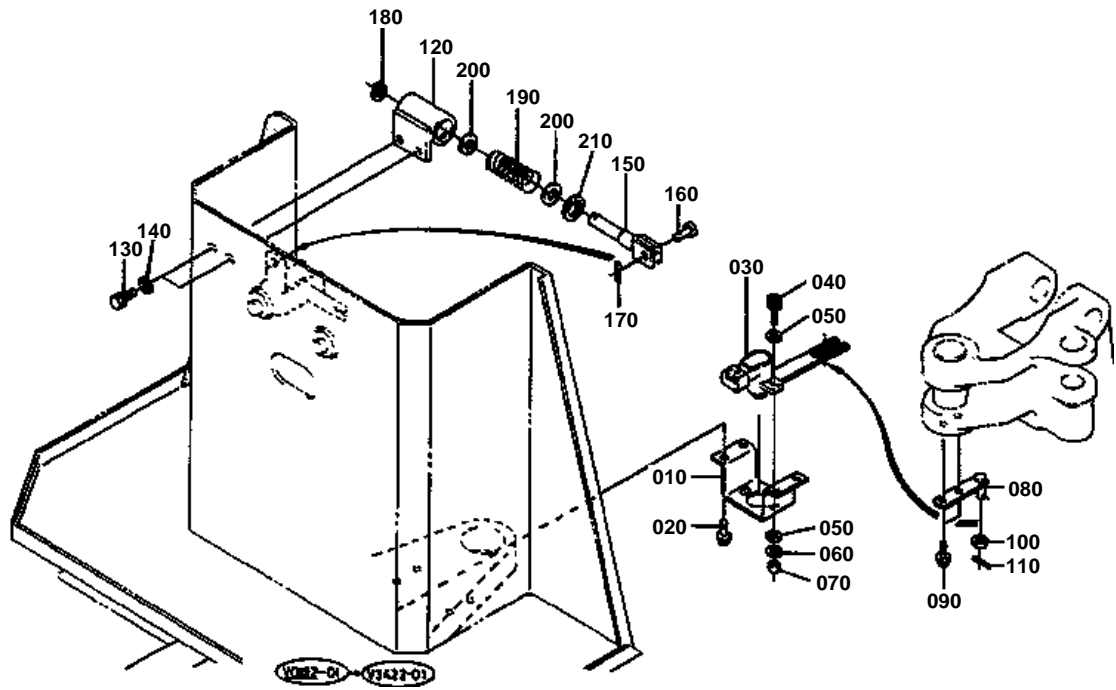


CONTROL LEVER 2

↔ Interchangeable; ≠ not interchangeable; ← new for old; → old for new

REF.No	Part No.	Description	Q'ty	S.No.	I/C	REMARKS	Weight (kgf)	Weight (lb)
010	78620-72110	LEVER,CONTROL LH	1				0.42	0.924
020	78620-72130	LEVER,CONTROL RH	1				0.42	0.924
030	31355-82520	GRIP,LEVER	2				0.05	0.11
040	05122-51250	PIN,JOINT	2				0.05	0.11
050	04011-50120	WASHER,PLAIN	2				0.005	0.011
060	05511-50425	PIN,SPLIT	2				0.003	0.0066
070	78620-72210	LEVER,CONTROL	2				0.195	0.429
080	06914-00100	GRIP,LEVER	2				0.02	0.044
090	05122-50860	PIN,JOINT	1				0.025	0.055
100	04012-50080	WASHER,PLAIN	1				0.001	0.0022
110	05511-50215	PIN,SPLIT	1				0.001	0.0022
120	68021-32790	PIN	2				0.004	0.0088
130	04012-50050	WASHER,PLAIN	2				0.001	0.0022
140	05511-51208	PIN,SPLIT	2				0.001	0.0022

SWING SENSOR



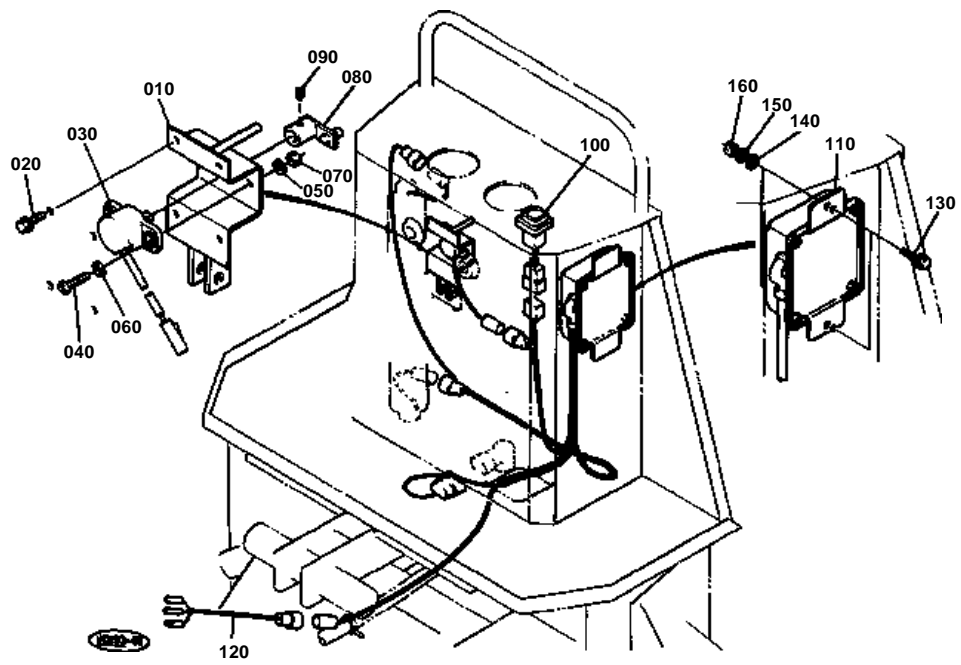


SWING SENSOR

↔ Interchangeable; ≠ not interchangeable; ← new for old; → old for new

REF.No	Part No.	Description	Q'ty	S.No.	I/C	REMARKS	Weight (kgf)	Weight (lb)
010	78621-73110	STAY,SENSOR	1				0.215	0.473
020	01023-50612	BOLT	4				0.005	0.011
030	78621-73130	SENSOR,SWING	1				0.095	0.209
040	01350-50416	BOLT	2				0.001	0.0022
050	04013-50040	WASHER,PLAIN	4				0	0
060	04512-50040	WASHER,SPRING	2				0	0
070	02054-50040	NUT	2				0.001	0.0022
080	78621-73150	LEVER,SENSOR	1				0.03	0.066
090	01023-50612	BOLT	2				0.005	0.011
100	04013-50060	WASHER,PLAIN	1				0	0
110	05511-51615	PIN,SPLIT	1				0.001	0.0022
120	78621-73210	SUPPORT,LEVER	1				0.245	0.539
130	01123-50816	BOLT	2				0.011	0.0242
140	04012-50080	WASHER,PLAIN	2				0.001	0.0022
150	78621-73230	ROD,SPRING	1				0	0
160	05122-50820	PIN,JOINT	1				0.009	0.0198
170	05511-50218	PIN,SPLIT	1				0.001	0.0022
180	04612-00140	CIR-CLIP,EXTERNAL	1				0.001	0.0022
190	78621-73250	SPRING	1				0.03	0.066
200	04011-50140	WASHER,PLAIN	2				0.007	0.0154
210	04611-00260	CIR-CLIP,INTERNAL	1				0.002	0.0044

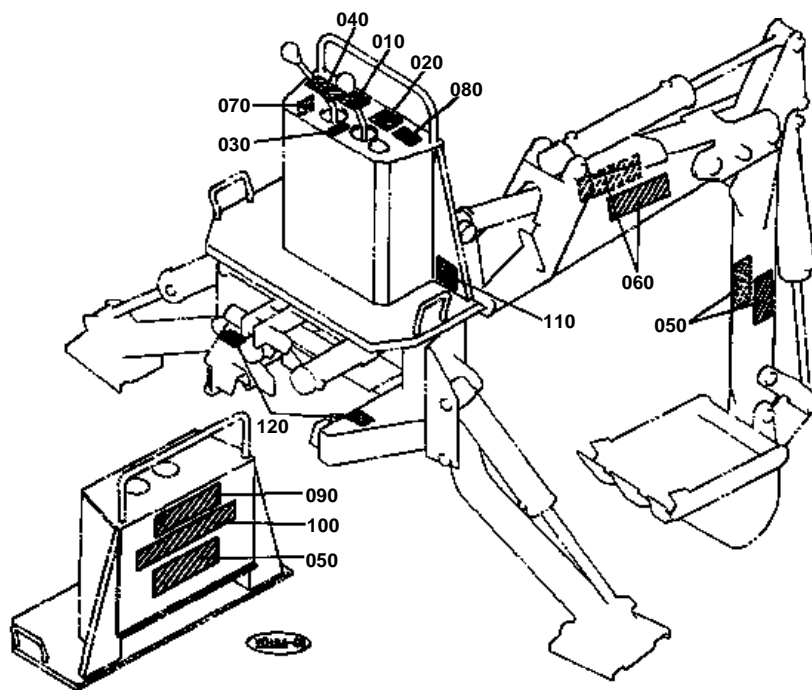
CONTROL UNIT



**CONTROL UNIT**

↔ Interchangeable; ≠ not interchangeable; ← new for old; → old for new

REF.No	Part No.	Description	Q'ty	S.No.	I/C	REMARKS	Weight (kgf)	Weight (lb)
010	78621-73310	STAY,SENSOR	1				0.31	0.682
020	01023-50616	BOLT	4				0.005	0.011
030	78621-73342	SENSOR,SWING ANGLE	1				0.07	0.154
040	03054-50416	SCREW,PAN HEAD	2				0.002	0.0044
050	04512-50040	WASHER,SPRING	2				0	0
060	04013-50040	WASHER,PLAIN	2				0	0
070	02054-50040	NUT	2				0.001	0.0022
080	78621-73360	LEVER,SENSOR	1				0.035	0.077
090	03651-50508	SCREW,SET	2				0.005	0.011
100	64457-48260	SWITCH,CHANGE	1				0.042	0.0924
110	78621-73452	UNIT,CONTROL	1	≤50562			0	0
110	78621-73453	UNIT,CONTROL	1	≥50563	←		0.85	1.87
120	78621-73460	UNIT,HARNESS	1				0.035	0.077
130	01754-50612	BOLT,FLANGE	2				0.005	0.011
140	04013-50060	WASHER,PLAIN	2				0	0
150	04512-50060	WASHER,SPRING	2				0	0
160	02014-50060	NUT	2				0.003	0.0066



**LABEL**

↔ Interchangeable; ≠ not interchangeable; ← new for old; → old for new

REF.No	Part No.	Description	Q'ty	S.No.	I/C	REMARKS	Weight (kgf)	Weight (lb)
010	78620-75110	LABEL,LEVER CONTROL	1				0.001	0.0022
020	78620-75120	LABEL,LEVER CONTROL	1				0.001	0.0022
030	78620-75130	LABEL,LEVER CONTROL	1				0.001	0.0022
040	78620-75150	LABEL,INSTRUCTION	1				0.001	0.0022
050	78620-75170	LABEL,WARNING	3				0.003	0.0066
060	78620-75180	LABEL,KUBOTA	2				0.015	0.033
070	78621-75210	LABEL,MODEL	1				0.001	0.0022
080	78621-75230	LABEL,CHANGE	1				0.001	0.0022
090	78620-75140	LABEL,MODEL	1				0.01	0.022
100	78621-75160	LABEL,AUTO RETURN	1				0.01	0.022
110	78620-75240	LABEL,CAUTION	1				0.001	0.0022
120	78620-75250	LABEL,LEVER	2				0.001	0.0022

IMAGE NOT AVAILABLE



ACCESSORIES AND SERVICE PARTS

↔ Interchangeable; ≠ not interchangeable; ← new for old; → old for new

REF.No	Part No.	Description	Q'ty	S.No.	I/C	REMARKS	Weight (kgf)	Weight (lb)
010	78620-79910	OPERATOR'S MANUAL	1	<=50562			0.07	0.154
010	78620-79913	OPERATOR'S MANUAL	1	>=50563	←		0	0