

Instructions for Parts Books

The heading at the top of the page will be the same for the picture of the parts as it is for the page with the part numbers.

Definition of column headings on part number pages:

REF.No → The number referring to the part on the picture page of the parts book.

Part No. → The number assigned to this part at the time of printing the parts book.

Description → Description of part.

Q'ty → Quantity of part used on that page.

S.No. → Serial number range of the equipment that this part will fit.

>= Your serial number should be greater than or equal to the number shown.

<= Your serial number should be lesser than or equal to the serial number shown.

I/C → Interchangeability of part shown.

↔ The part shown will work for the older and later serial number.

The part shown is not interchangeable with the other serial number.

← new for old

→ old for new

Remarks → Notes about this particular part. Sometimes this may say except [FR] or [CA]

Note about Country Codes:

The parts books we use in the United States of America may also contain information about a part that would be different in another country. It is important that you are aware of the country codes in some instances.

Symbol	Country
A	United States of America
CA	Canada
FR	France
GR	Greece
PO	Portugal
AU	Australia

If the remarks column says for example EXCEPT [FR] this part works in all countries except France. That means it will work here in the USA.

ALL PRODUCT INDEX
BT900(L35)

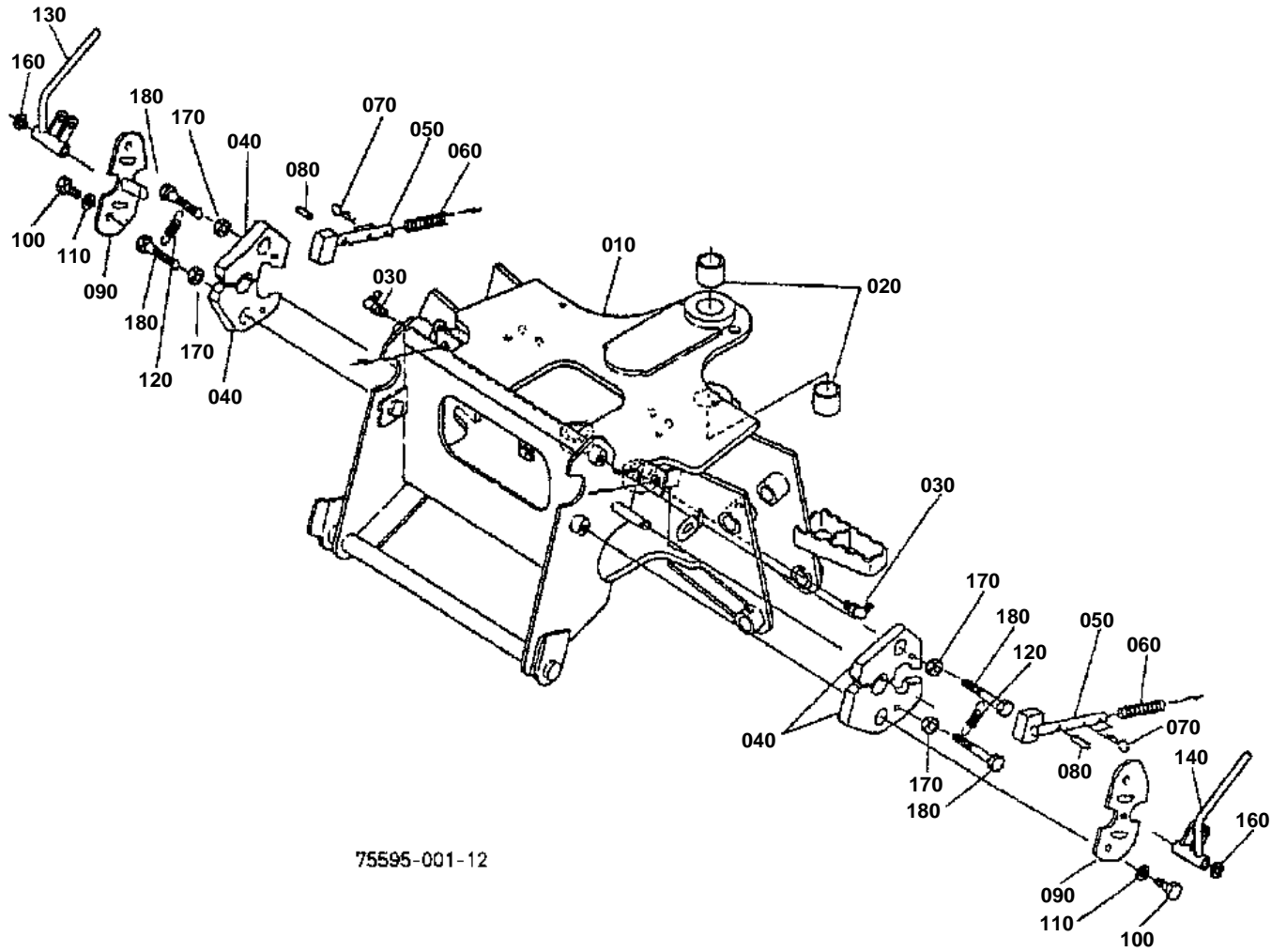


BACKHOE

ACCESSORIES

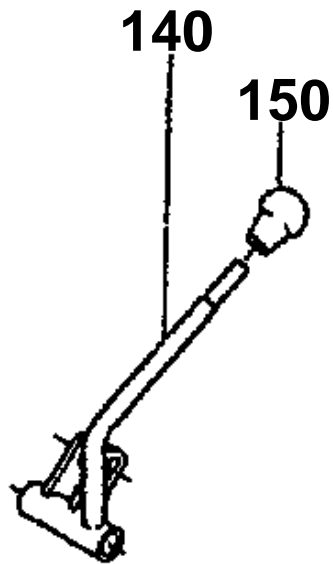
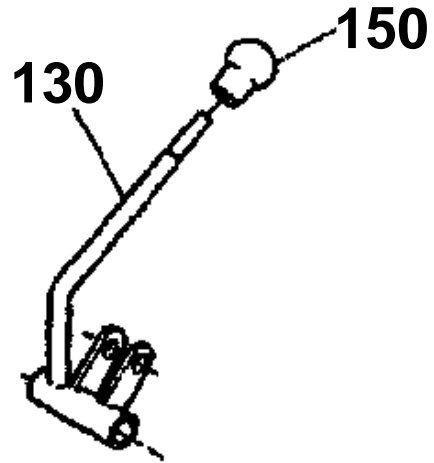
Item	Part No.	Description	Book
BACKHOE	01B01	MAIN FRAME	100K0513
	01B0201	SWING FRAME	100K0513
	01B0202	SWING FRAME	100K0513
	01B03	SWING CYLINDER	100K0513
	01B0401	SWING CYLINDER [COMPONENT PARTS]	100K0513
	01B0402	SWING CYLINDER [COMPONENT PARTS]	100K0513
	01B05	BOOM	100K0513
	01B0601	BOOM CYLINDER [COMPONENT PARTS]	100K0513
	01B0602	BOOM CYLINDER [COMPONENT PARTS]	100K0513
	01B07	DIPPERSTICK	100K0513
	01B0801	DIPPERSTICK CYLINDER [COMPONENT PARTS]	100K0513
	01B0802	DIPPERSTICK CYLINDER [COMPONENT PARTS]	100K0513
	01B09	BUCKET LINK	100K0513
	01B1001	BUCKET CYLINDER [COMPONENT PARTS]	100K0513
	01B1002	BUCKET CYLINDER [COMPONENT PARTS]	100K0513
	01B11	BUCKET	100K0513
	01B12	STABILIZER ARM	100K0513
	01B1301	STABILIZER CYLINDER LH [COMPONENT PARTS]	100K0513
	01B1302	STABILIZER CYLINDER LH [COMPONENT PARTS]	100K0513
	01B1401	STABILIZER CYLINDER RH [COMPONENT PARTS]	100K0513
	01B1402	STABILIZER CYLINDER RH [COMPONENT PARTS]	100K0513
	01B15	STEP	100K0513
	01B16	CONTROL VALVE	100K0513
	01B17	CONTROL VALVE [COMPONENT PARTS]	100K0513
	01B18	HYDRAULIC HOSE (INLET/OUTLET)	100K0513
01B19	HYDRAULIC HOSE (SWING)	100K0513	
01B20	HYDRAULIC HOSE (BOOM/DIPPERSTICK)	100K0513	
01B2101	HYDRAULIC HOSE (BUCKET)	100K0513	
01B2102	HYDRAULIC HOSE (BUCKET)	100K0513	
01B22	HYDRAULIC HOSE (STABILIZER)	100K0513	
01B23	CONTROL LEVER 1	100K0513	
01B24	CONTROL LEVER 2	100K0513	
01B25	LABEL	100K0513	
ACCESSORIES	01B26	ACCESSORIES AND SERVICE PARTS	100K0513

MAIN FRAME



75595-001-12

130 75595-1161-0
140 75595-1162-0
150 31355-8252-0



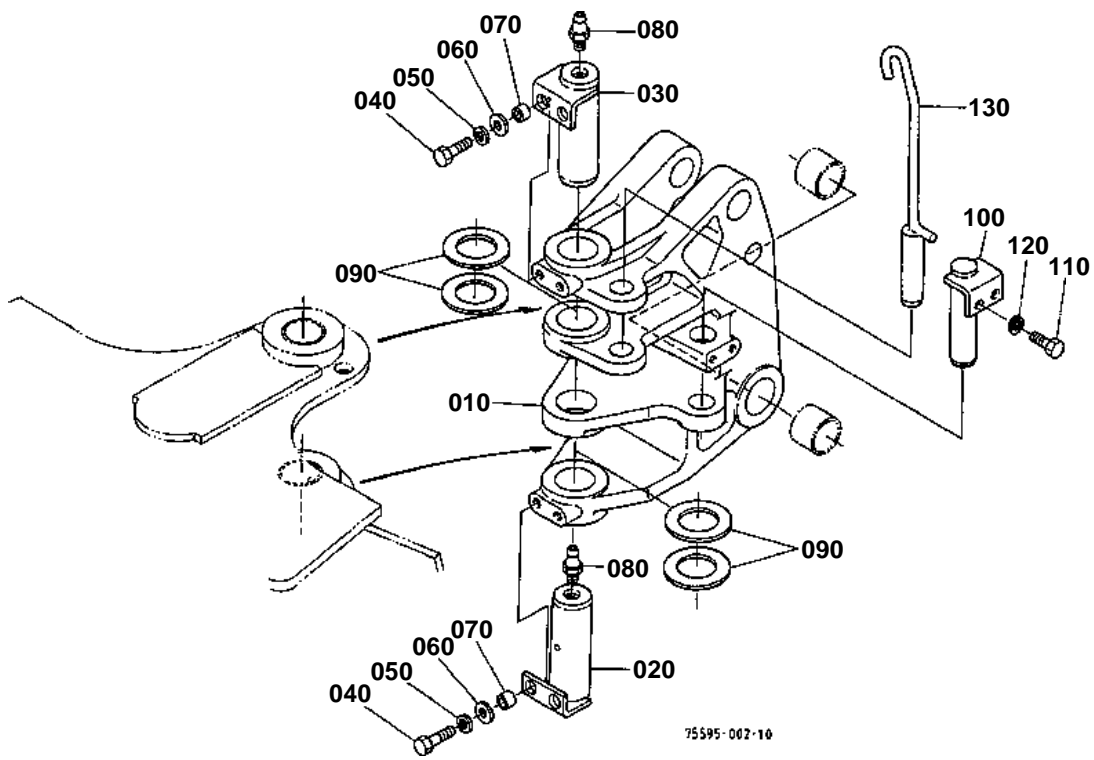
75595-800-10

**MAIN FRAME**

↔ Interchangeable; ≠ not interchangeable; ← new for old; → old for new

REF.No	Part No.	Description	Q'ty	S.No.	I/C	REMARKS	Weight (kgf)	Weight (lb)
010	75595-11010	COMP FRAME MAIN	1	<=12241			0	0
010	75595-11012	COMP FRAME MAIN	1	>=12242	≠		0	0
020	75595-12250	BUSHING	2			(1.875 X 2.0)	0	0
030	75599-81540	FITTING GREASE	2			(1/8-27 45DEG)	0	0
040	75595-11510	HOLDER MOUNT	4	<=12241			0	0
040	75595-11512	HOLDER MOUNT	4	>=12242	≠		0	0
050	75595-11520	PIN SET	2				0	0
060	75595-11540	SPRING	2				0	0
070	75595-11550	PIN SPRING LOCK	2				0	0
080	75599-52735	PIN SPRING	2			(5/16 X 1 3/4)	0	0
090	75595-11560	PLATE HOLDER	2	<=12241			0	0
090	75595-11562	PLATE HOLDER	2	>=12242	≠		0	0
100	75599-04725	HEX.BOLT	8	<=12241		(5/8-18UNF X 1 1/4)	0	0
100	75599-04725	HEX.BOLT	4	>=12242		(5/8-18UNF X 1 1/4)	0	0
110	75599-33017	WASHER SPRING LOCK	8	<=12241		(5/8)	0	0
110	75599-33017	WASHER SPRING LOCK	4	>=12242		(5/8)	0	0
120	75595-11570	SPRING	4	<=12241			0	0
120	75595-11572	SPRING	2	>=12242	≠		0	0
130	75595-11610	LEVER LH	1				0	0
130	75596-11610	LEVER LH	1		↔		0	0
140	75595-11620	LEVER RH	1				0	0
140	75596-11620	LEVER RH	1		↔		0	0
150	31355-82520	GRIP LEVER	2	<=15244			0.05	0.11
160	75599-41525	CIR-CRIP EXTERNAL	2			(3/4)	0	0
170	75599-31012	HEX.NUT	4	>=12242		(5/16-18UNC)	0	0
180	75599-01230	HEX.BOLT	4	>=12242		(5/16-18UNC X 1/2)	0.016	0.0352

SWING FRAME



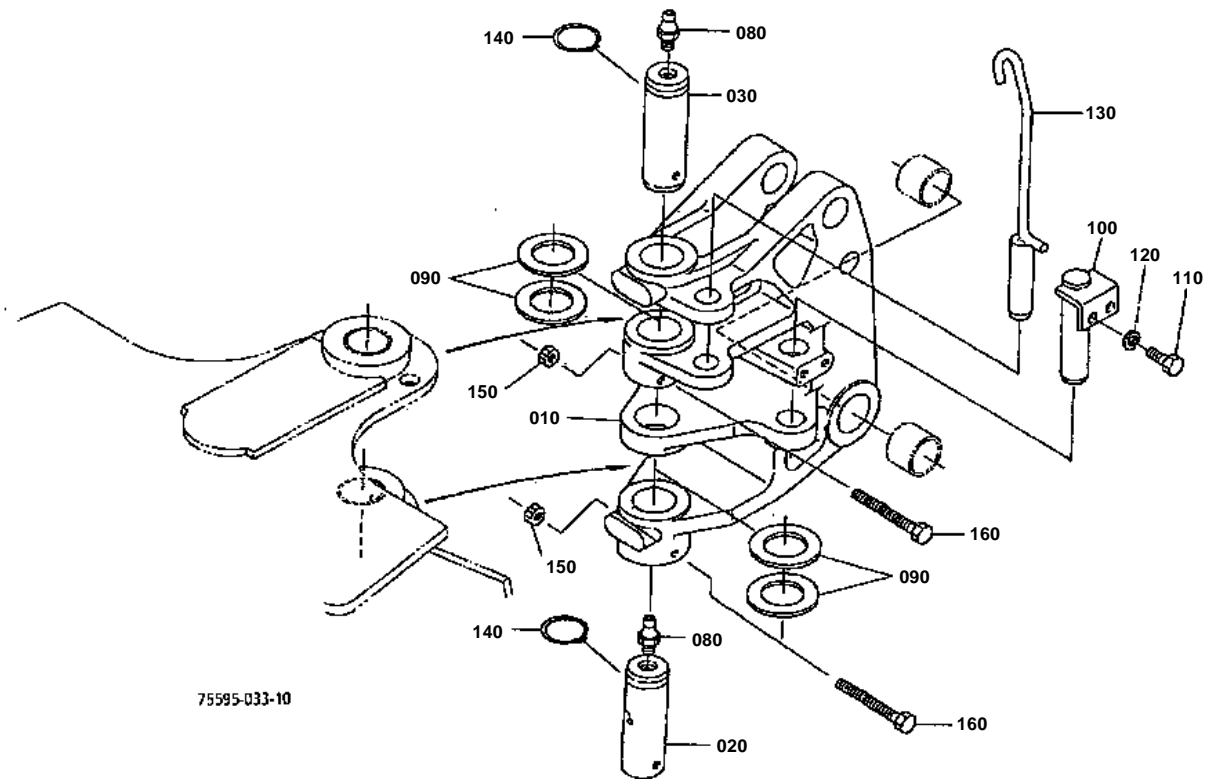


SWING FRAME
[S.No.<=16210]

↔ Interchangeable; ≠ not interchangeable; ← new for old; → old for new

REF.No	Part No.	Description	Q'ty	S.No.	I/C	REMARKS	Weight (kgf)	Weight (lb)
010	75595-12110	FRAME SWING	1				0	0
020	75595-12212	PIN	1			(1.875 X 5.45)	0	0
030	75595-12220	PIN	1			(1.875 X 5.45)	0	0
040	75599-04320	HEX.BOLT	4			(3/8-24UNF X 1)	0.02	0.044
050	75599-33013	WASHER SPRING LOCK	4			(3/8)	0.01	0.022
060	75599-32013	WASHER PLAIN	4			(3/8)	0.03	0.066
070	75595-12230	COLLAR	4				0	0
080	75599-81530	FITTING GREASE	2			(1/8-27NPTF)	0	0
090	75595-12260	COLLAR THRUST	4				0	0
100	75595-14150	PIN	2			(1.25 X 5.25)	0	0
110	75599-04312	HEX.BOLT	4			(3/8-24UNF X 5/8)	0	0
120	75599-33013	WASHER SPRING LOCK	4			(3/8)	0.01	0.022
130	75595-14210	PIN LOCK	1				0	0

SWING FRAME



75595-033-10

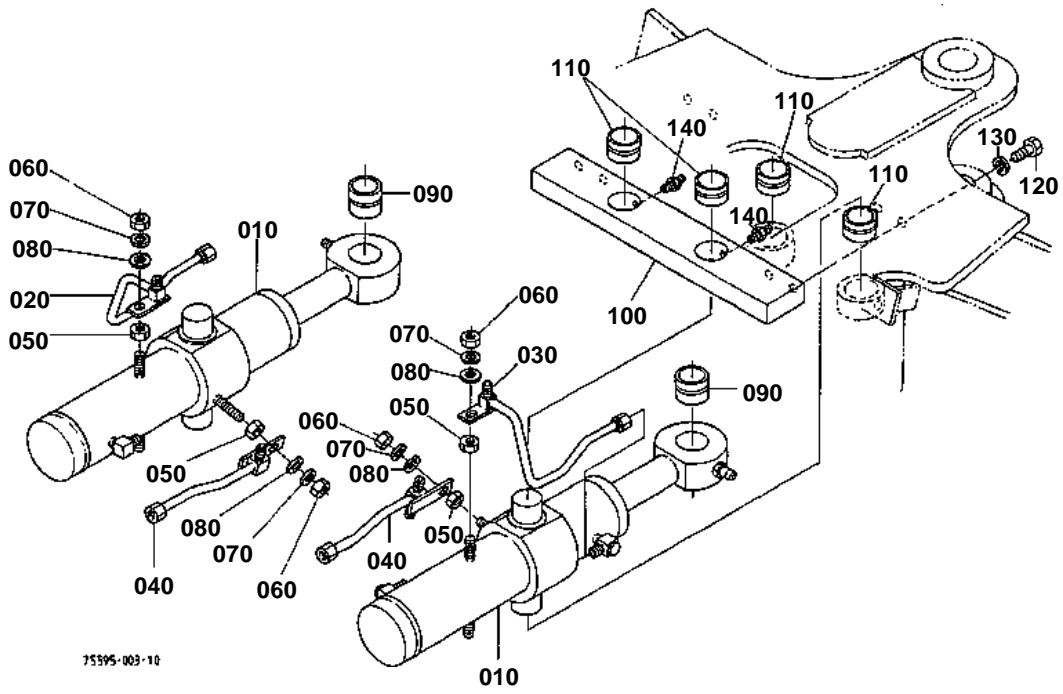


SWING FRAME
[S.No.>=16211]

↔ Interchangeable; ≠ not interchangeable; ← new for old; → old for new

REF.No	Part No.	Description	Q'ty	S.No.	I/C	REMARKS	Weight (kgf)	Weight (lb)
010	75595-12112	FRAME SWING	1				0	0
020	75595-12216	PIN	1				0	0
030	75595-12220	PIN	1				0	0
040	99999-99999	BLANK	0				0	0
050	99999-99999	BLANK	0				0	0
060	99999-99999	BLANK	0				0	0
070	99999-99999	BLANK	0				0	0
080	75599-81530	FITTING GREASE	2				0	0
090	75595-12260	COLLAR THRUST	4				0	0
100	75595-14150	PIN	2				0	0
110	75599-04312	HEX.BOLT	4				0	0
120	75599-33013	WASHER SPRING	4				0.01	0.022
130	75595-14210	PIN LOCK	1				0	0
140	75599-41545	CIRCLIP	2				0	0
150	75599-31916	NUT LOCKING	2				0	0
160	75599-03680	HEX.BOLT	2				0	0

SWING CYLINDER



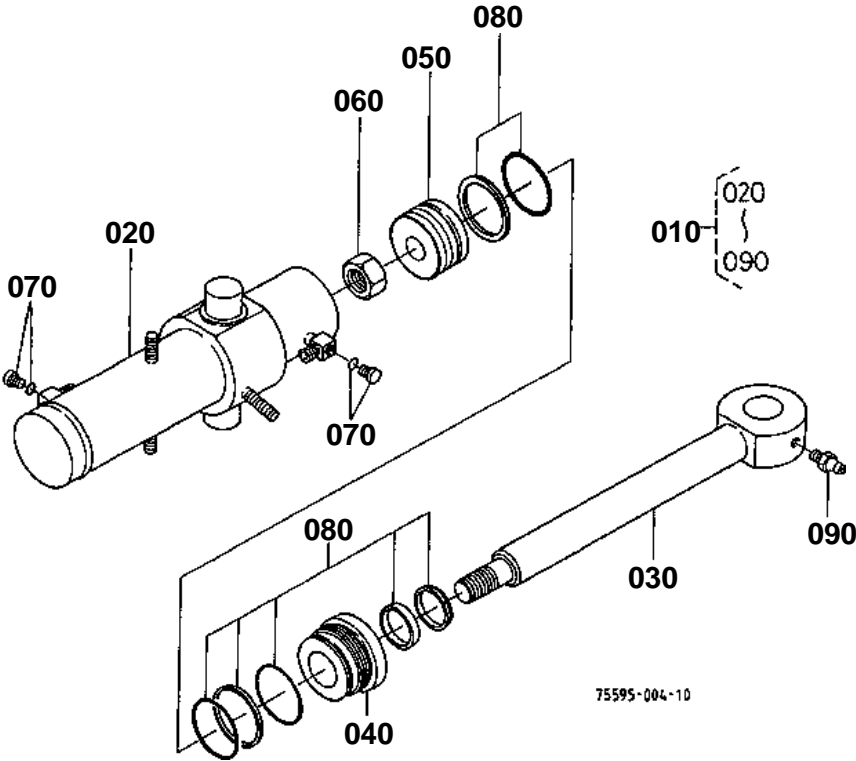


SWING CYLINDER

↔ Interchangeable; ≠ not interchangeable; ← new for old; → old for new

REF.No	Part No.	Description	Q'ty	S.No.	I/C	REMARKS	Weight (kgf)	Weight (lb)
010	75595-13010	ASSY CYLINDER SWING	2	<=14617			0	0
010	75595-14010	ASSY CYLINDER SWING	2	>=14618	↔		0	0
020	75595-13062	ASSY TUBE 1 HYDRAUL	1				0	0
030	75595-13072	ASSY TUBE 1 HYDRAUL	1				0	0
040	75595-13080	ASSY TUBE 1 HYDRAUL	2				0	0
050	75599-31033	HEX.JAM NUT	4			(3/8-16UNC)	0	0
060	75599-31013	HEX.NUT	4			(3/8-16UNC)	0	0
070	75599-33013	WASHER SPRING LOCK	4			(3/8)	0.01	0.022
080	75599-32013	WASHER PLAIN	4			(3/8)	0.03	0.066
090	75595-13410	BUSHING	2			(1.25 X 2.0)	0	0
100	75595-14110	SUPPORT CYLINDER	1				0	0
110	75595-14120	BUSHING	4			(1.50 X 1.25)	0	0
120	75599-04725	HEX.BOLT	4			(5/8-18UNF X 1 1/4)	0	0
130	75599-33017	WASHER SPRING LOCK	4			(5/8)	0	0
140	75599-81530	FITTING GREASE	2			(1/8-27NPTF)	0	0

SWING CYLINDER [COMPONENT PARTS]



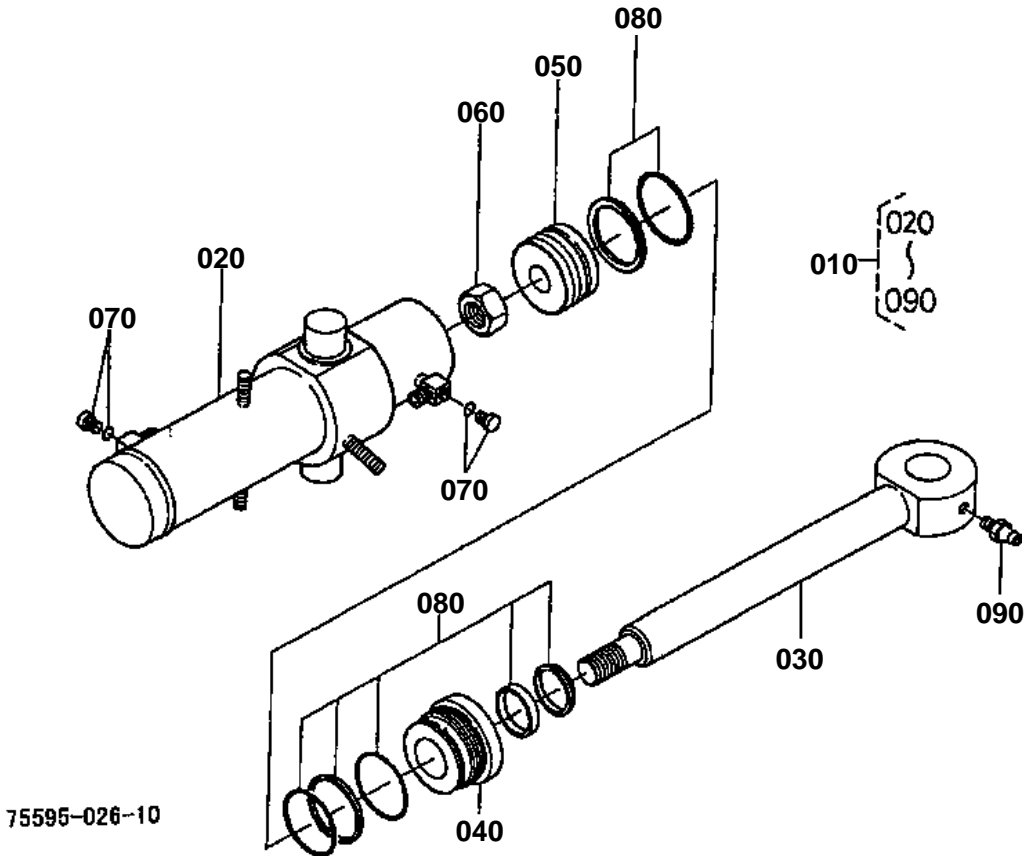
**SWING CYLINDER [COMPONENT PARTS]**

[S.No.<=14617]

↔ Interchangeable; ≠ not interchangeable; ← new for old; → old for new

REF.No	Part No.	Description	Q'ty	S.No.	I/C	REMARKS	Weight (kgf)	Weight (lb)
010	75595-13010	ASSY CYLINDER SWING	2				0	0
020	75595-13030	COMP.TUBE SWING	2				0	0
030	75595-13050	COMP.ROD SWING	2				0	0
040	75595-13110	HEAD	2				0	0
050	75595-13210	PISTON	2				0	0
060	75595-13250	NUT	2				0	0
070	75590-13270	PLUG	4				0	0
080	75595-13300	KIT SEAL	2				0	0
090	75599-81530	FITTING GREASE	2			(1/8-27NPTF)	0	0

SWING CYLINDER [COMPONENT PARTS]



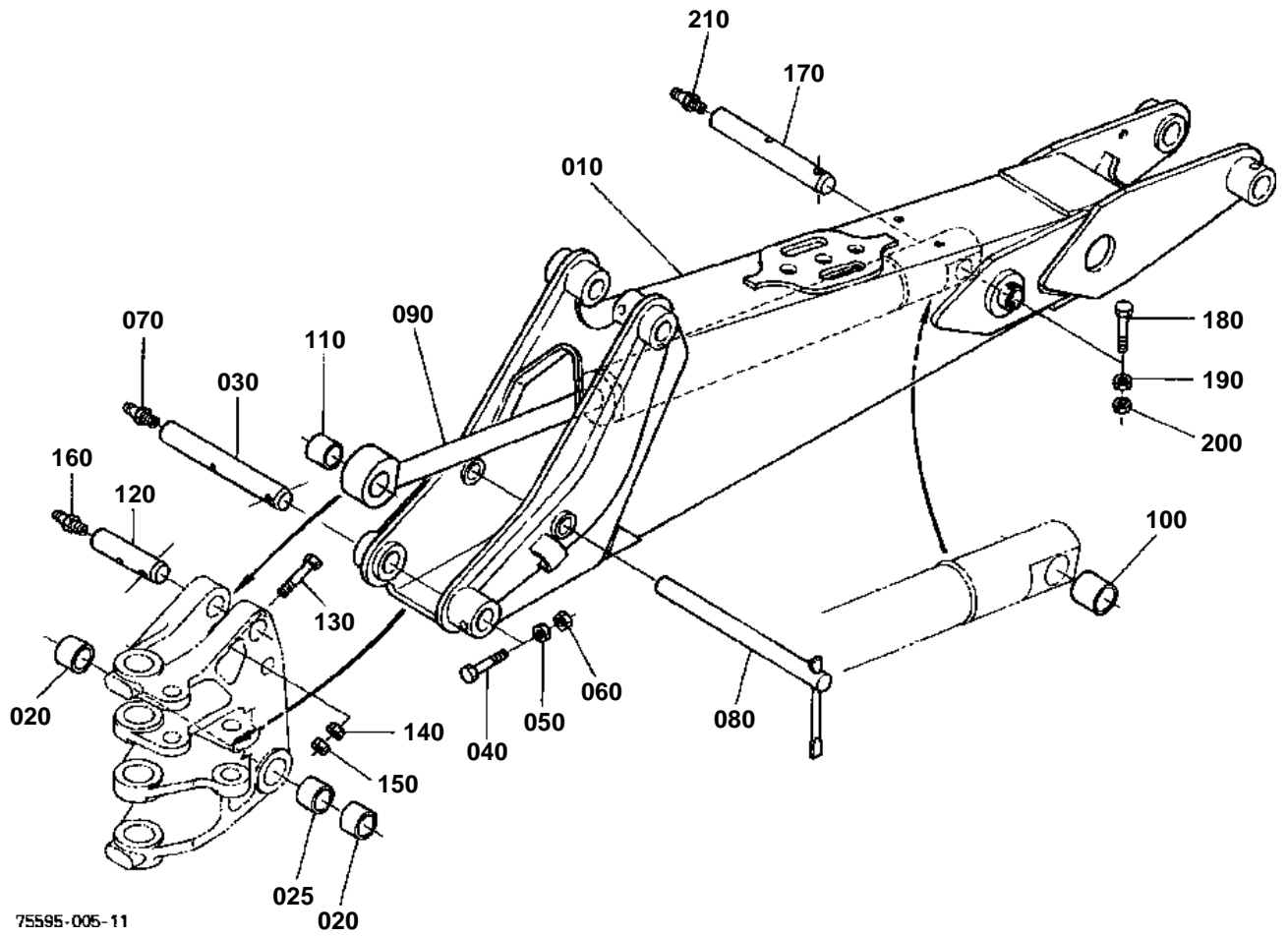
**SWING CYLINDER [COMPONENT PARTS]**

[S.No.>=14618]

↔ Interchangeable; ≠ not interchangeable; ← new for old; → old for new

REF.No	Part No.	Description	Q'ty	S.No.	I/C	REMARKS	Weight (kgf)	Weight (lb)
010	75595-14010	ASSY CYLINDER SWING	2				0	0
020	75595-14030	COMP.TUBE SWING	2				0	0
030	75595-14050	COMP.ROD SWING	2				0	0
040	75595-14310	HEAD	2				0	0
050	75595-15210	PISTON	2				0	0
060	75595-13260	NUT	2				0	0
070	75590-13270	PLUG	4				0	0
080	75595-14300	KIT SEAL	2				0	0
090	75599-81530	FITTING GREASE	2				0	0

BOOM

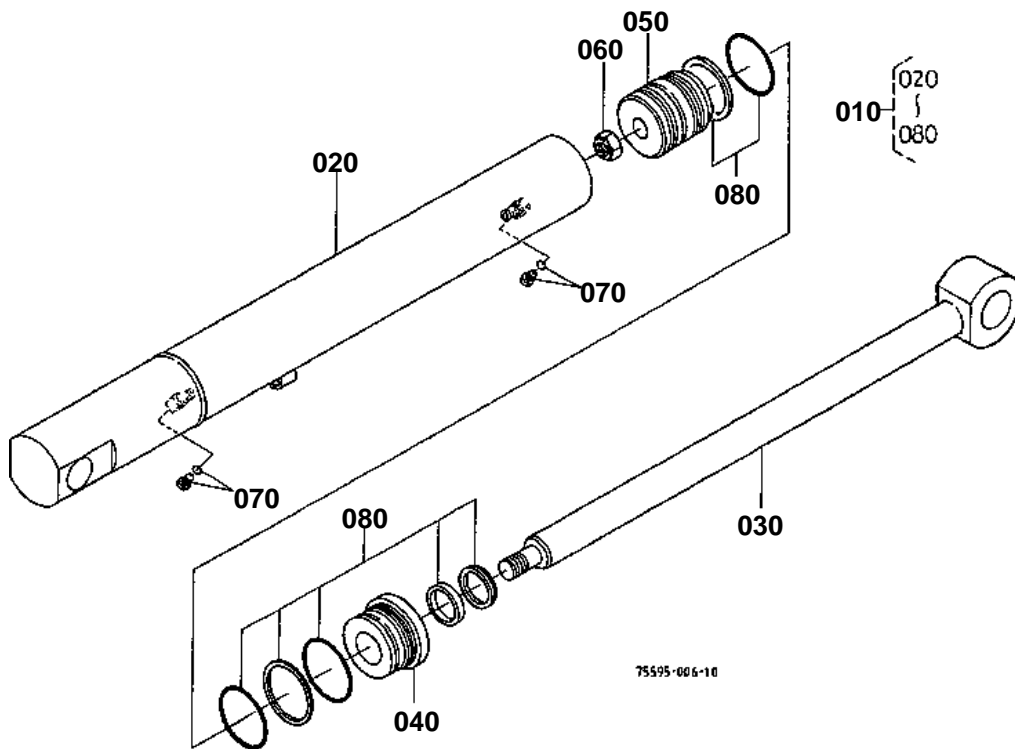


**BOOM**

↔ Interchangeable; ≠ not interchangeable; ← new for old; → old for new

REF.No	Part No.	Description	Q'ty	S.No.	I/C	REMARKS	Weight (kgf)	Weight (lb)
010	75595-21012	COMP BOOM	1				0	0
020	75595-21450	BUSHING	2			(1.50 X 2.0)	0	0
025	75595-21460	COLLAR	1				0	0
030	75595-21510	PIN	1			(1.50 X 10.20)	0	0
040	75599-04365	HEX.BOLT	1			(3/8-24UNF X 3 1/4)	0	0
050	75599-31023	HEX.NUT	1			(3/8-24UNF)	0.006	0.0132
060	75599-31043	HEX.JAM NUT	1			(3/8-24UNF)	0	0
070	75599-81530	FITTING GREASE	1			(1/8-27NPTF)	0	0
080	75595-14222	PIN LOCK	1				0	0
090	75595-22010	ASSY CYLINDER BOOM	1	<=14617			0	0
090	75595-23010	ASSY CYLINDER BOOM	1	>=14618	↔		0	0
100	75595-22410	BUSHING	1			(1.50 X 2.75)	0	0
110	75595-21450	BUSHING	1			(1.50 X 2.0)	0	0
120	75595-23110	PIN	1			(1.50 X 5.24)	0	0
130	75599-04365	HEX.BOLT	1			(3/8-24UNF X 3 1/4)	0	0
140	75599-31023	HEX.NUT	1			(3/8-24UNF)	0.006	0.0132
150	75599-31043	HEX.JAM NUT	1			(3/8-24UNF)	0	0
160	75599-81530	FITTING GREASE	1			(1/8-27NPTF)	0	0
170	75595-23150	PIN	1			(1.50 X 8.75)	0	0
180	75599-04355	HEX.BOLT	1			(3/8-24UNF X 2 3/4)	0	0
190	75599-31023	HEX.NUT	1			(3/8-24UNF)	0.006	0.0132
200	75599-31043	HEX.JAM NUT	1			(3/8-24UNF)	0	0
210	75599-81530	FITTING GREASE	1			(1/8-27NPTF)	0	0

BOOM CYLINDER [COMPONENT PARTS]



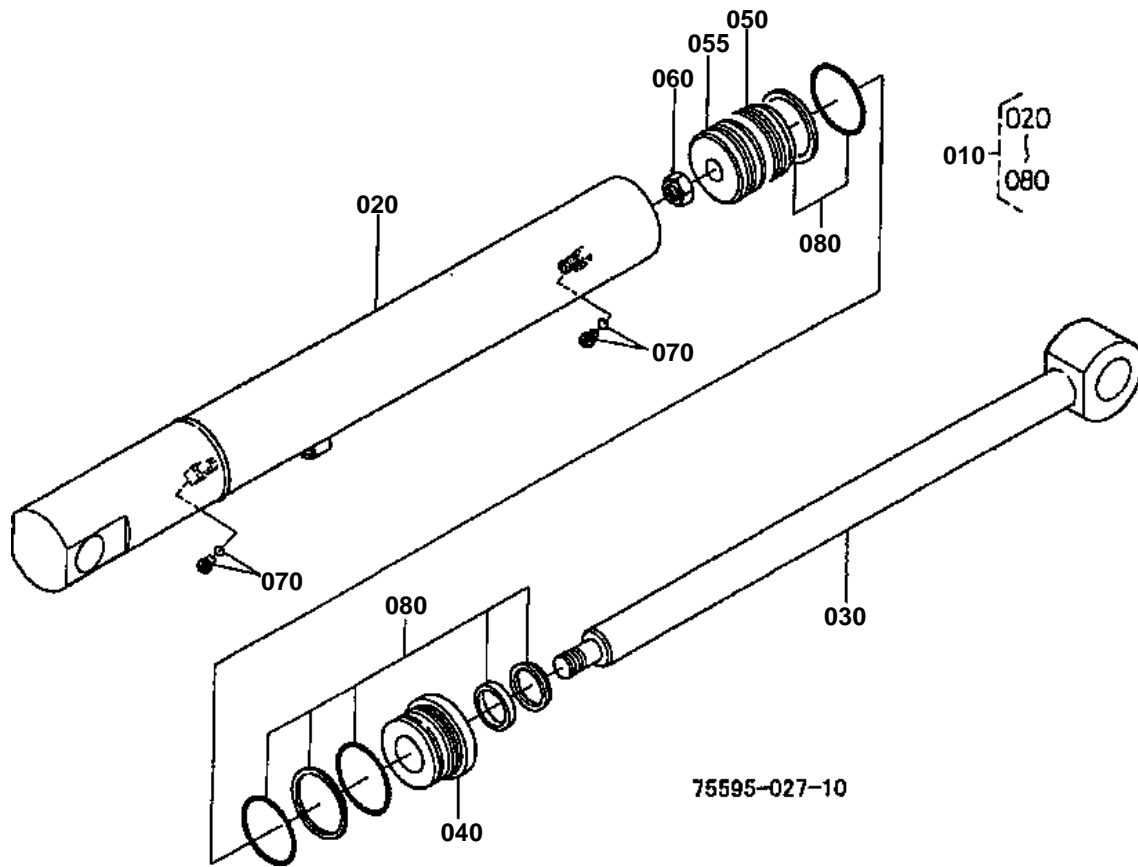


BOOM CYLINDER [COMPONENT PARTS]
[S.No.<=14617]

↔ Interchangeable; ≠ not interchangeable; ← new for old; → old for new

REF.No	Part No.	Description	Q'ty	S.No.	I/C	REMARKS	Weight (kgf)	Weight (lb)
010	75595-22010	ASSY CYLINDER BOOM	1				0	0
020	75595-22030	COMP.TUBE BOOM	1				0	0
030	75595-22050	COMP.ROD BOOM	1				0	0
040	75595-22110	HEAD	1				0	0
050	75595-22210	PISTON	1				0	0
060	75595-13250	NUT	1				0	0
070	75540-63490	PLUG	2				0	0
080	75595-22300	KIT SEAL	1				0	0

BOOM CYLINDER [COMPONENT PARTS]



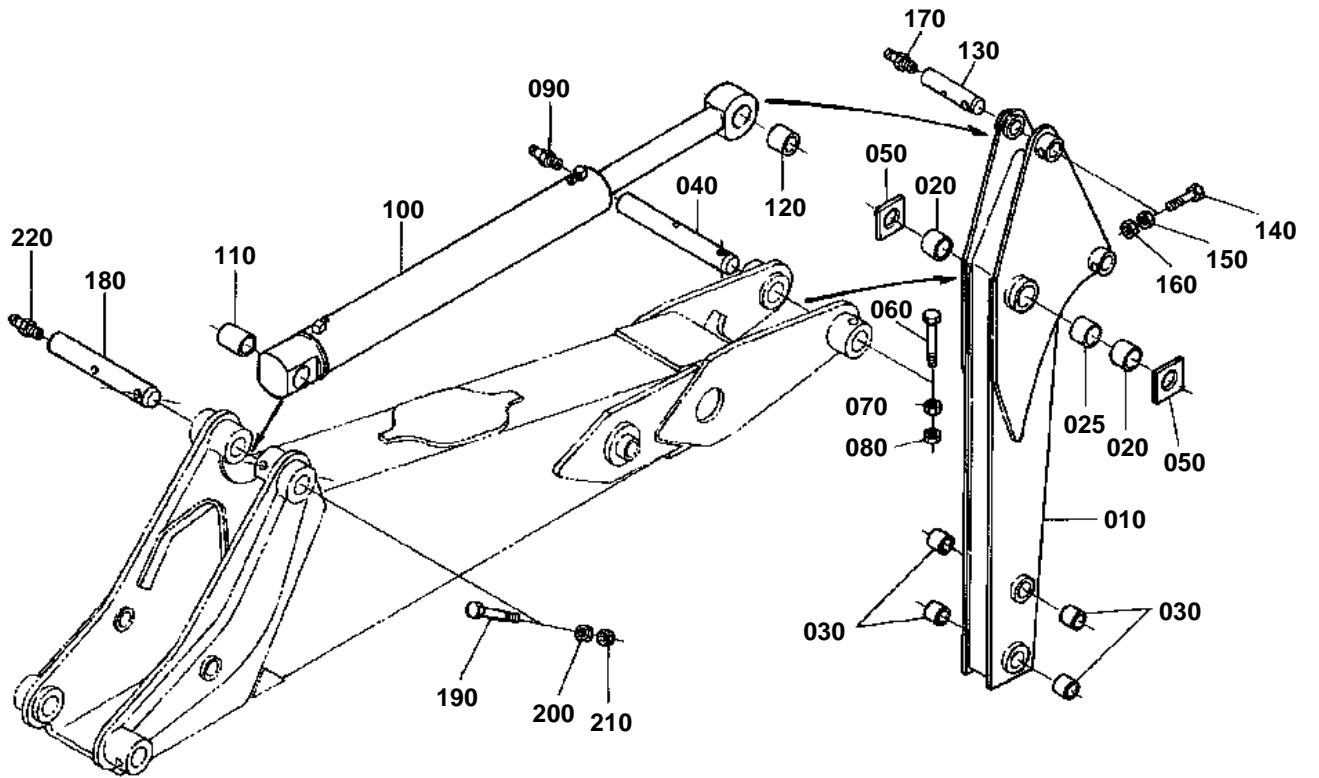


BOOM CYLINDER [COMPONENT PARTS]
[S.No.>=14618]

↔ Interchangeable; ≠ not interchangeable; ← new for old; → old for new

REF.No	Part No.	Description	Q'ty	S.No.	I/C	REMARKS	Weight (kgf)	Weight (lb)
010	75595-23010	ASSY CYLINDER BOOM	1				0	0
020	75595-23030	COMP.TUBE BOOM	1				0	0
030	75595-23050	COMP.ROD BOOM	1				0	0
040	75595-23310	HEAD	1				0	0
050	75595-23210	PISTON	1				0	0
055	75595-24210	PISTON	1				0	0
060	75595-13270	NUT	1				0	0
070	75540-63490	PLUG	2				0	0
080	75595-23300	KIT SEAL	1				0	0

DIPPERSTICK



75595-007-11

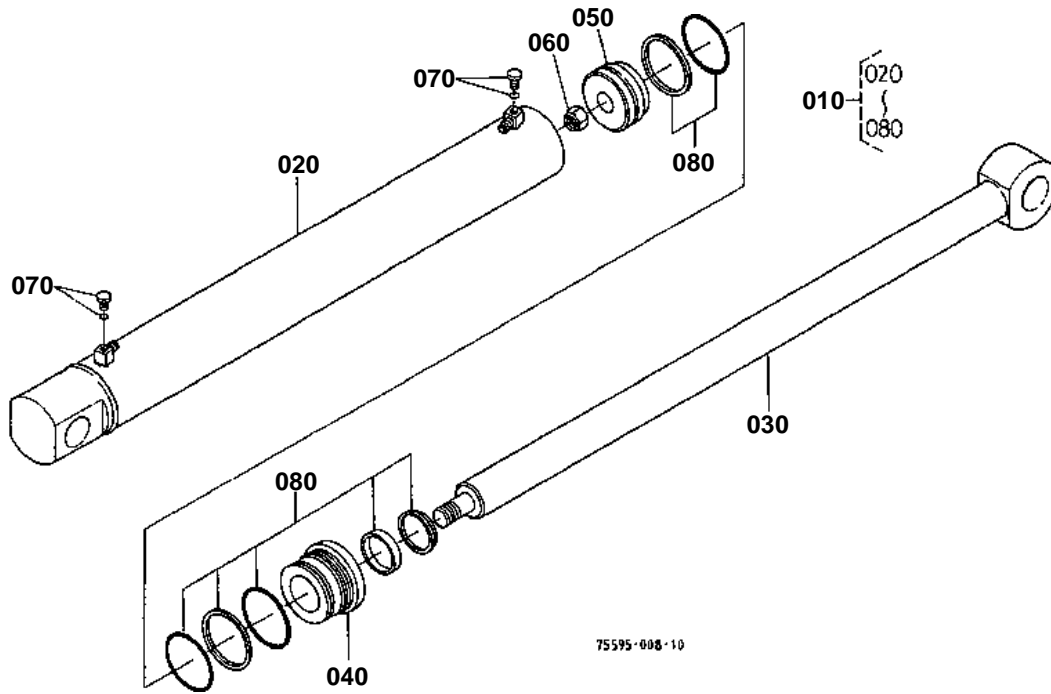


DIPPERSTICK

↔ Interchangeable; ≠ not interchangeable; ← new for old; → old for new

REF.No	Part No.	Description	Q'ty	S.No.	I/C	REMARKS	Weight (kgf)	Weight (lb)
010	75595-31010	DIPPERSTICK	1				0	0
020	75595-21450	BUSHING	2			(1.50 X 2.0)	0	0
025	75595-33140	COLLAR	1				0	0
030	75595-33130	BUSHING	4			(1.25 X 2.0)	0	0
040	75595-21510	PIN	1			(1.50 X 10.20)	0	0
050	75595-31550	SPACER	2				0	0
060	75599-04365	HEX.BOLT	1			(3/8-24UNF X 3 1/4)	0	0
070	75599-31023	HEX.NUT	1			(3/8-24UNF)	0.006	0.0132
080	75599-31043	HEX.JAM NUT	1			(3/8-24UNF)	0	0
090	75599-81530	FITTING GREASE	1			(1/8-27NPTF)	0	0
100	75595-32010	ASSY CYLINDER DIPPE	1	<=14617			0	0
100	75595-33010	CYLINDER DIPPE	1	>=14618	↔		0	0
110	75595-33120	BUSHING	1			(1.25 X 2.5)	0	0
120	75595-33130	BUSHING	1			(1.25 X 2.0)	0	0
130	75595-33160	PIN	1				0	0
140	75599-04355	HEX.BOLT	1			(3/8-24UNF X 2 3/4)	0	0
150	75599-31023	HEX.NUT	1			(3/8-24UNF)	0.006	0.0132
160	75599-31043	HEX.JAM NUT	1			(3/8-24UNF)	0	0
170	75599-81530	FITTING GREASE	1			(1/8-27NPTF)	0	0
180	75595-33150	PIN	1			(1.25 X 9.23)	0	0
190	75599-04365	HEX.BOLT	1			(3/8-24UNF X 3 1/4)	0	0
200	75599-31023	HEX.NUT	1			(3/8-24UNF)	0.006	0.0132
210	75599-31043	HEX.JAM NUT	1			(3/8-24UNF)	0	0
220	75599-81530	FITTING GREASE	1			(1/8-27NPTF)	0	0

DIPPERSTICK CYLINDER [COMPONENT PARTS]



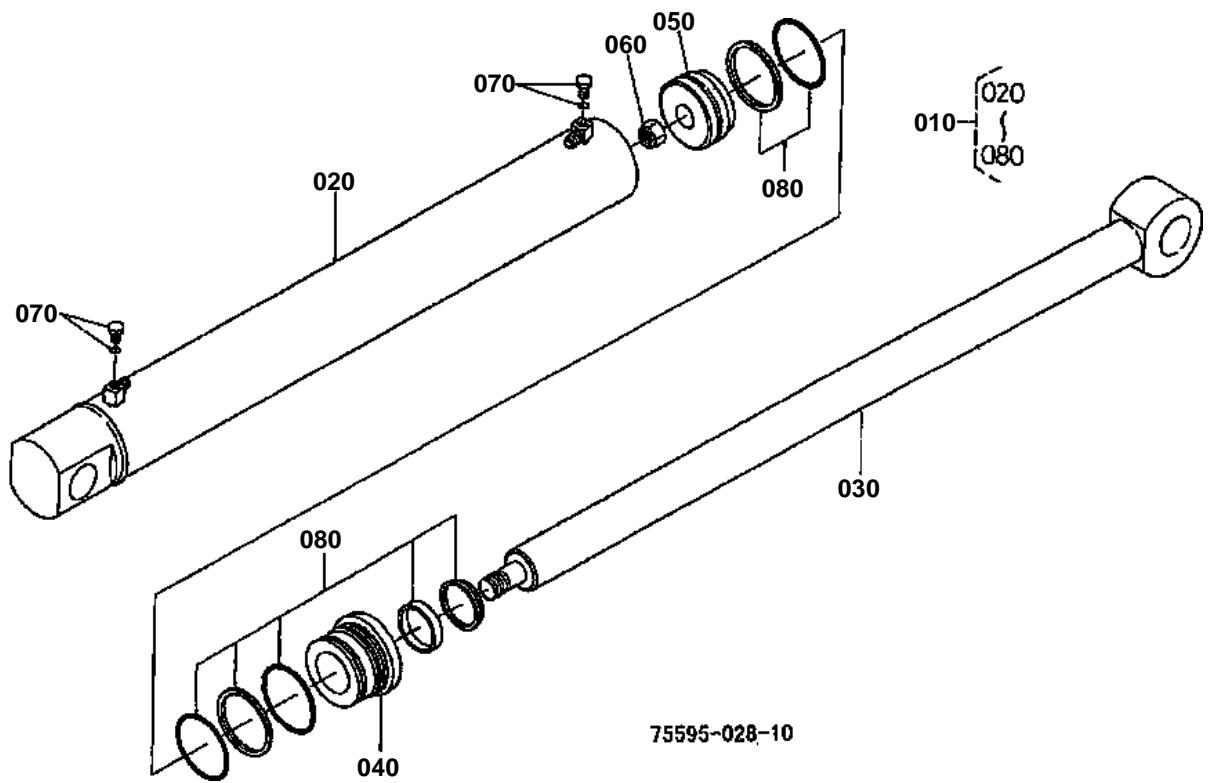
**DIPPERSTICK CYLINDER [COMPONENT PARTS]**

[S.No.<=14617]

↔ Interchangeable; ≠ not interchangeable; ← new for old; → old for new

REF.No	Part No.	Description	Q'ty	S.No.	I/C	REMARKS	Weight (kgf)	Weight (lb)
010	75595-32010	ASSY CYLINDER DIPPE	1				0	0
020	75595-32030	COMP.TUBE DIPPER	1				0	0
030	75595-32050	COMP.ROD DIPPER	1				0	0
040	75595-32110	HEAD	1				0	0
050	75595-32210	PISTON	1				0	0
060	75595-32250	NUT	1				0	0
070	75540-63490	PLUG	2				0	0
080	75595-32300	KIT SEAL	1				0	0

DIPPERSTICK CYLINDER [COMPONENT PARTS]



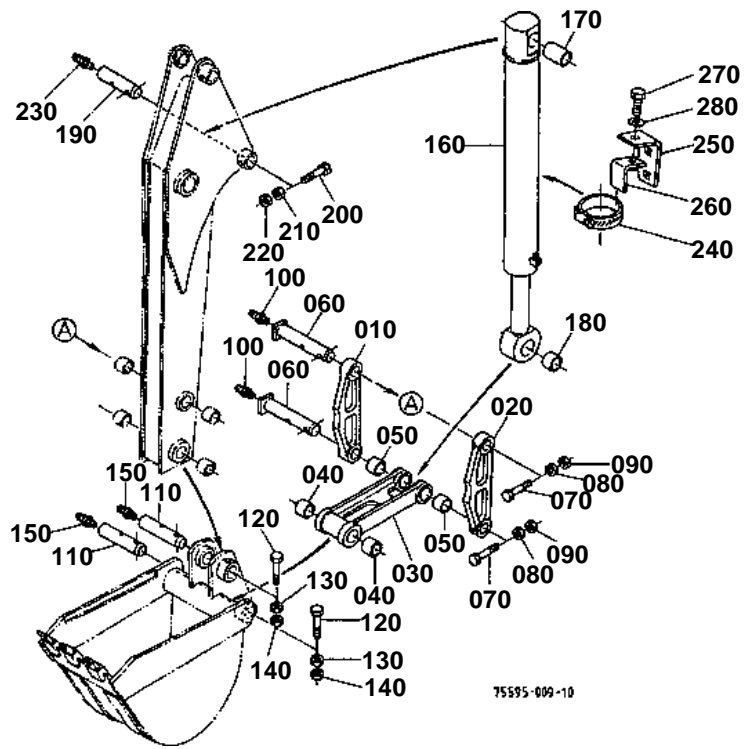
**DIPPERSTICK CYLINDER [COMPONENT PARTS]**

[S.No.>=14618]

↔ Interchangeable; ≠ not interchangeable; ← new for old; → old for new

REF.No	Part No.	Description	Q'ty	S.No.	I/C	REMARKS	Weight (kgf)	Weight (lb)
010	75595-33010	ASSY CYLINDER DIPPE	1				0	0
020	75595-33030	COMP.TUBE DIPPER	1				0	0
030	75595-33050	COMP.ROD DIPPER	1				0	0
040	75595-33310	HEAD	1				0	0
050	75595-33210	PISTON	1				0	0
060	75595-13270	NUT	1				0	0
070	75540-63490	PLUG	2				0	0
080	75595-33300	KIT SEAL	1				0	0

BUCKET LINK

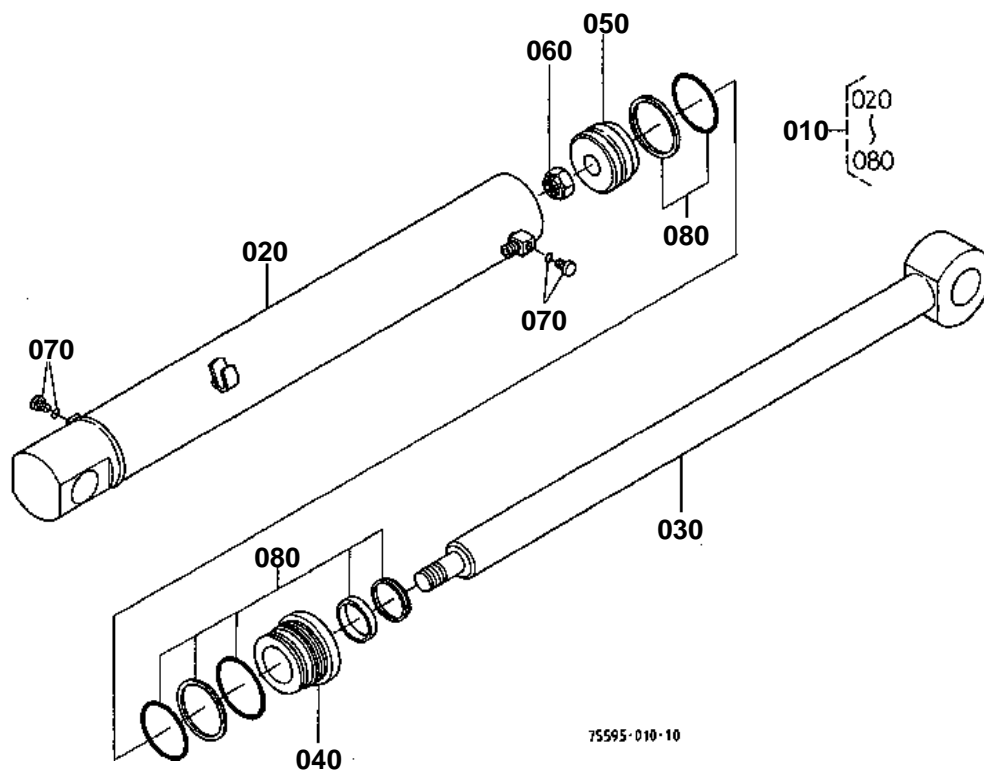


**BUCKET LINK**

↔ Interchangeable; ≠ not interchangeable; ← new for old; → old for new

REF.No	Part No.	Description	Q'ty	S.No.	I/C	REMARKS	Weight (kgf)	Weight (lb)
010	75595-41110	LINK 1 GUIDE	1				0	0
020	75595-41150	LINK 1 GUIDE	1				0	0
030	75595-41210	LINK BUCKET	1				0	0
040	75595-33130	BUSHING	2			(1.25 X 2.0)	0	0
050	75595-41220	BUSHING	2			(1.25 X 1.25)	0	0
060	75595-42610	PIN	2			(1.25 X 7.70)	0	0
070	75599-04360	HEX.BOLT	2			(3/8-24UNF X 3)	0	0
080	75599-31023	HEX.NUT	2			(3/8-24UNF)	0.006	0.0132
090	75599-31043	HEX.JAM NUT	2			(3/8-24UNF)	0	0
100	75599-81530	FITTING GREASE	2			(1/8-27NPTF)	0	0
110	75595-42620	PIN	2			(1.25 X 8.82)	0	0
120	75599-04365	HEX.BOLT	2			(3/8-24UNF X 3 1/4)	0	0
130	75599-31023	HEX.NUT	2			(3/8-24UNF)	0.006	0.0132
140	75599-31043	HEX.JAM NUT	2			(3/8-24UNF)	0	0
150	75599-81530	FITTING GREASE	2			(1/8-27NPTF)	0	0
160	75595-43010	ASSY CYLINDER BUCKE	1	<=14617			0	0
160	75595-44010	ASSY CYLINDER BUCKE	1	>=14618	↔		0	0
170	75595-33120	BUSHING	1			(1.25 X 2.5)	0	0
180	75595-33130	BUSHING	1			(1.25 X 2.0)	0	0
190	75595-33110	PIN	1			(1.25 X 6.16)	0	0
200	75599-04355	HEX.BOLT	1			(3/8-24UNF X 2 3/4)	0	0
210	75599-31023	HEX.NUT	1			(3/8-24UNF)	0.006	0.0132
220	75599-31043	HEX.JAM NUT	1			(3/8-24UNF)	0	0
230	75599-81530	FITTING GREASE	1			(1/8-27NPTF)	0	0
240	75595-43512	CLAMP HOSE	2				0	0
250	75590-44210	CLAMP 1 SMV MARK	1				0	0
260	75590-44220	CLAMP 1 SMV MARK	1				0	0
270	75599-02315	HEX.BOLT	1			(3/8-24UNF X 3/4)	0	0
280	75599-33013	WASHER SPRING LOCK	1			(3/8)	0.01	0.022

BUCKET CYLINDER [COMPONENT PARTS]



**BUCKET CYLINDER [COMPONENT PARTS]**

[S.No.<=14617]

↔ Interchangeable; ≠ not interchangeable; ← new for old; → old for new

REF.No	Part No.	Description	Q'ty	S.No.	I/C	REMARKS	Weight (kgf)	Weight (lb)
010	75595-43010	ASSY CYLINDER BUCKE	1				0	0
020	75595-43030	COMP.TUBE BUCKET	1				0	0
030	75595-43050	COMP.ROD BUCKET	1				0	0
040	75595-43110	HEAD	1				0	0
050	75595-43210	PISTON	1				0	0
060	75595-32250	NUT	1				0	0
070	75540-63490	PLUG	2				0	0
080	75595-43300	KIT SEAL	1				0	0

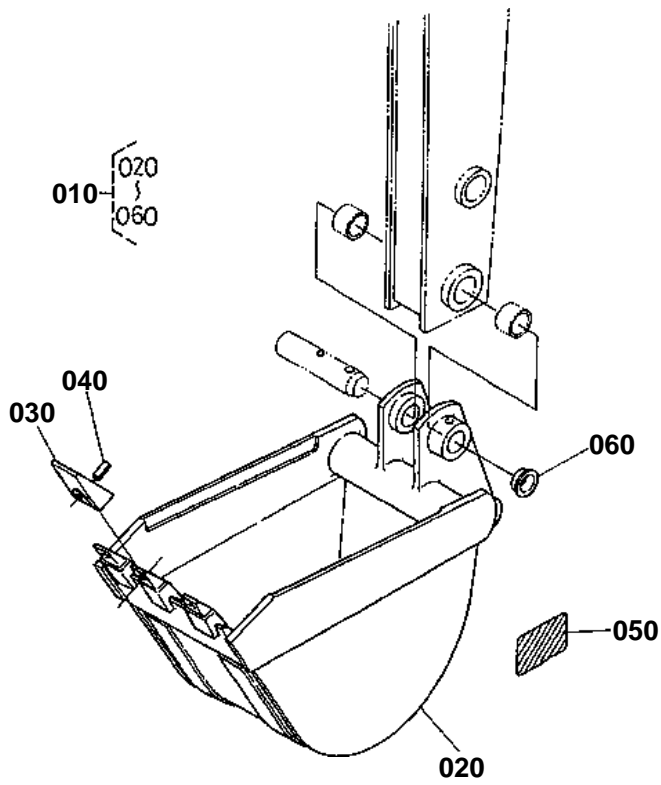
**BUCKET CYLINDER [COMPONENT PARTS]**

[S.No.>=14618]

↔ Interchangeable; ≠ not interchangeable; ← new for old; → old for new

REF.No	Part No.	Description	Q'ty	S.No.	I/C	REMARKS	Weight (kgf)	Weight (lb)
010	75595-44010	ASSY CYLINDER BUCKE	1				0	0
020	75595-44030	COMP.TUBE BUCKET	1				0	0
030	75595-44050	COMP.ROD BUCKET	1				0	0
040	75595-44310	HEAD	1				0	0
050	75595-44210	PISTON	1				0	0
060	75595-13260	NUT	1				0	0
070	75540-63490	PLUG	2				0	0
080	75595-44300	KIT SEAL	1				0	0

BUCKET



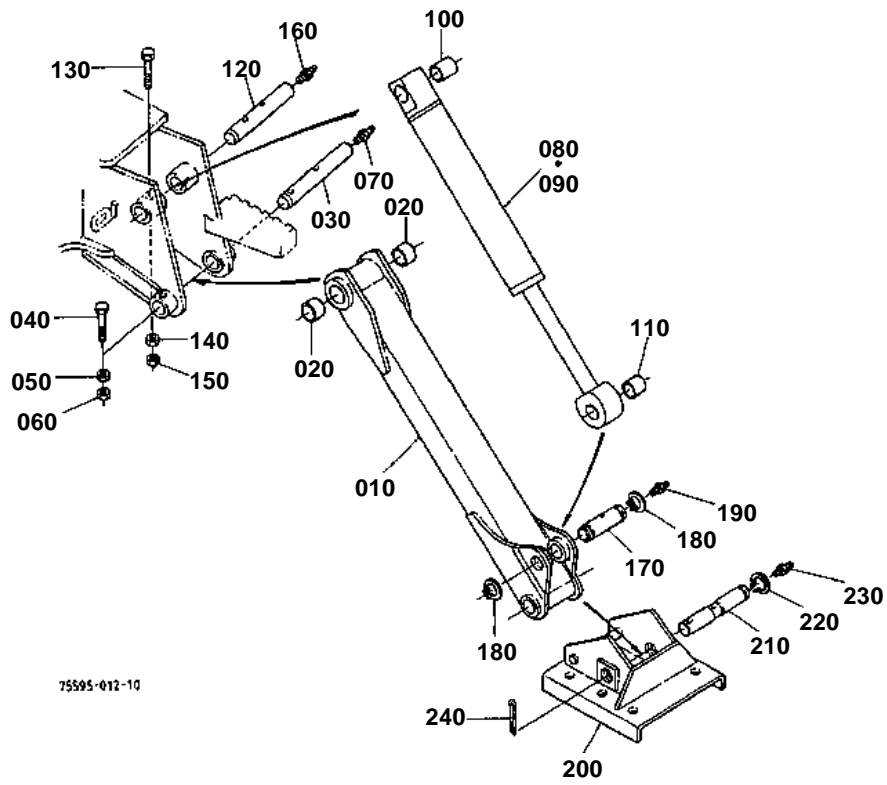
75595-011-10

**BUCKET**

↔ Interchangeable; ≠ not interchangeable; ← new for old; → old for new

REF.No	Part No.	Description	Q'ty	S.No.	I/C	REMARKS	Weight (kgf)	Weight (lb)
010	75595-42200	ASSY BUCKET	1			BT2901	0	0
010	75595-42300	ASSY BUCKET	1			BT2902	0	0
010	75595-42700	ASSY BUCKET	1			BT2903	0	0
010	75595-42400	ASSY BUCKET	1			BT2904	0	0
010	75595-42500	ASSY BUCKET	1			BT2905	0	0
010	75595-42600	ASSY BUCKET	1			BT2906	0	0
020	75595-42020	BUCKET	1			BT2901	0	0
020	75595-42030	BUCKET	1			BT2902	0	0
020	75595-42070	BUCKET	1			BT2903	0	0
020	75595-42040	BUCKET	1			BT2904	0	0
020	75595-42050	BUCKET	1			BT2905	0	0
020	75595-42060	BUCKET	1			BT2906	0	0
030	75595-42830	TEETH	3			BT2901	0	0
030	75595-42830	TEETH	4			BT2902 BT2903	0	0
030	75595-42830	TEETH	5			BT2904	0	0
030	75595-42830	TEETH	6			BT2905	0	0
030	75595-42830	TEETH	7			BT2906	0	0
040	75595-42840	PIN SPRING	3			BT2901	0	0
040	75595-42840	PIN SPRING	4			BT2902 BT2903	0	0
040	75595-42840	PIN SPRING	5			BT2904	0	0
040	75595-42840	PIN SPRING	6			BT2905	0	0
040	75595-42840	PIN SPRING	7			BT2906	0	0
050	75595-42420	LABEL MODEL	1			BT2901	0	0
050	75595-42430	LABEL MODEL	1			BT2902	0	0
050	75595-42470	LABEL MODEL	1			BT2903	0	0
050	75595-42440	LABEL MODEL	1			BT2904	0	0
050	75595-42450	LABEL MODEL	1			BT2905	0	0
050	75595-42460	LABEL MODEL	1			BT2906	0	0
060	75595-42580	CAP	4				0	0

STABILIZER ARM



75595-012-10

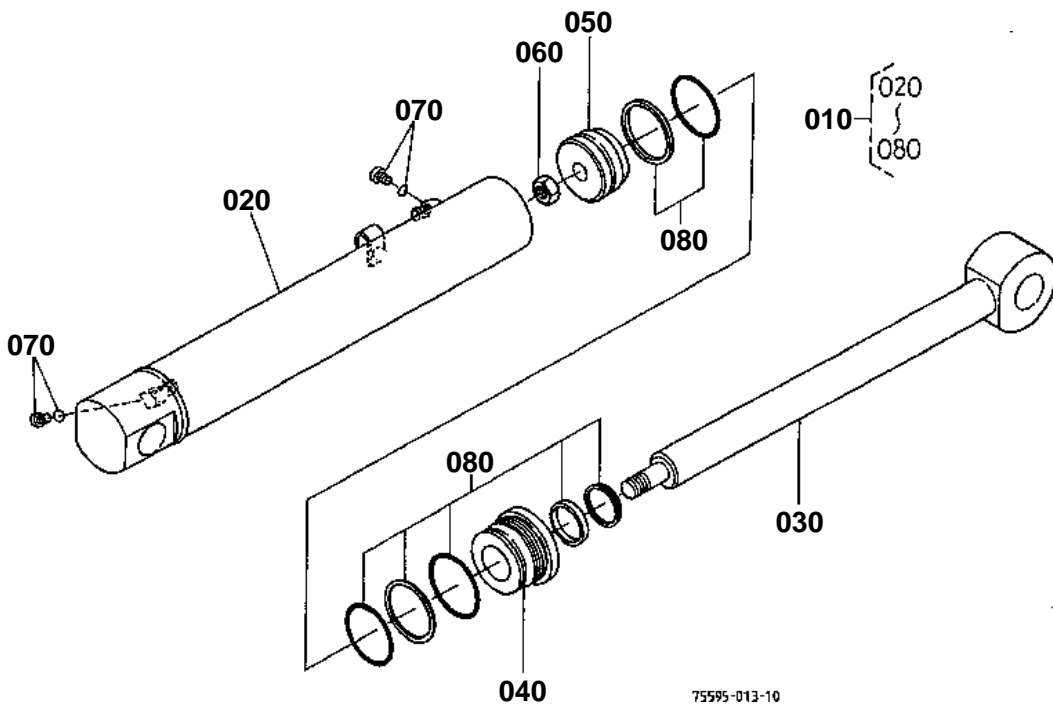


STABILIZER ARM

↔ Interchangeable; ≠ not interchangeable; ← new for old; → old for new

REF.No	Part No.	Description	Q'ty	S.No.	I/C	REMARKS	Weight (kgf)	Weight (lb)
010	75595-51010	ARM STABILIZER	2				0	0
020	75595-33130	BUSHING	4			(1.25 X 2.0)	0	0
030	75595-42620	PIN	2			(1.25 X 8.82)	0	0
040	75599-04355	HEX.BOLT	2			(3/8-24UNF X 2 3/4)	0	0
050	75599-31023	HEX.NUT	2			(3/8-24UNF)	0.006	0.0132
060	75599-31043	HEX.JAM NUT	2			(3/8-24UNF)	0	0
070	75599-81530	FITTING GREASE	2			(1/8-27NPTF)	0	0
080	75595-52010	ASSY CYLINDER LH ST	1	<=14617			0	0
080	75595-53013	ASSY CYLINDER LH STA	1	>=14618	↔		0	0
090	75595-52020	ASSY CYLINDER RH ST	1	<=14617			0	0
090	75595-53023	ASSY CYLINDER RH STA	1	>=14618	↔		0	0
100	75595-33120	BUSHING	2			(1.25 X 2.5)	0	0
110	75595-33130	BUSHING	2			(1.25 X 2.0)	0	0
120	75595-53110	PIN	2			(1.25 X 7.57)	0	0
130	75599-04355	HEX.BOLT	2			(3/8-24UNF X 2 3/4)	0	0
140	75599-31023	HEX.NUT	2			(3/8-24UNF)	0.006	0.0132
150	75599-31043	HEX.JAM NUT	2			(3/8-24UNF)	0	0
160	75599-81530	FITTING GREASE	2			(1/8-27NPTF)	0	0
170	75595-53150	PIN	2			(1.25 X 4.58)	0	0
180	75599-41535	CIR-CRIP EXTERNAL	4			(1 1/4)	0	0
190	75599-81530	FITTING GREASE	2			(1/8-27NPTF)	0	0
200	75595-53300	PAD STABILIZER	2				0	0
210	75595-53230	PIN	2			(1.25 X 7.54)	0	0
220	75599-41535	CIR-CRIP EXTERNAL	2			(1 1/4)	0	0
230	75599-81530	FITTING GREASE	2			(1/8-27NPTF)	0	0
240	75599-53237	PIN COTTER	2			(1/4 X 2)	0	0

STABILIZER CYLINDER LH [COMPONENT PARTS]



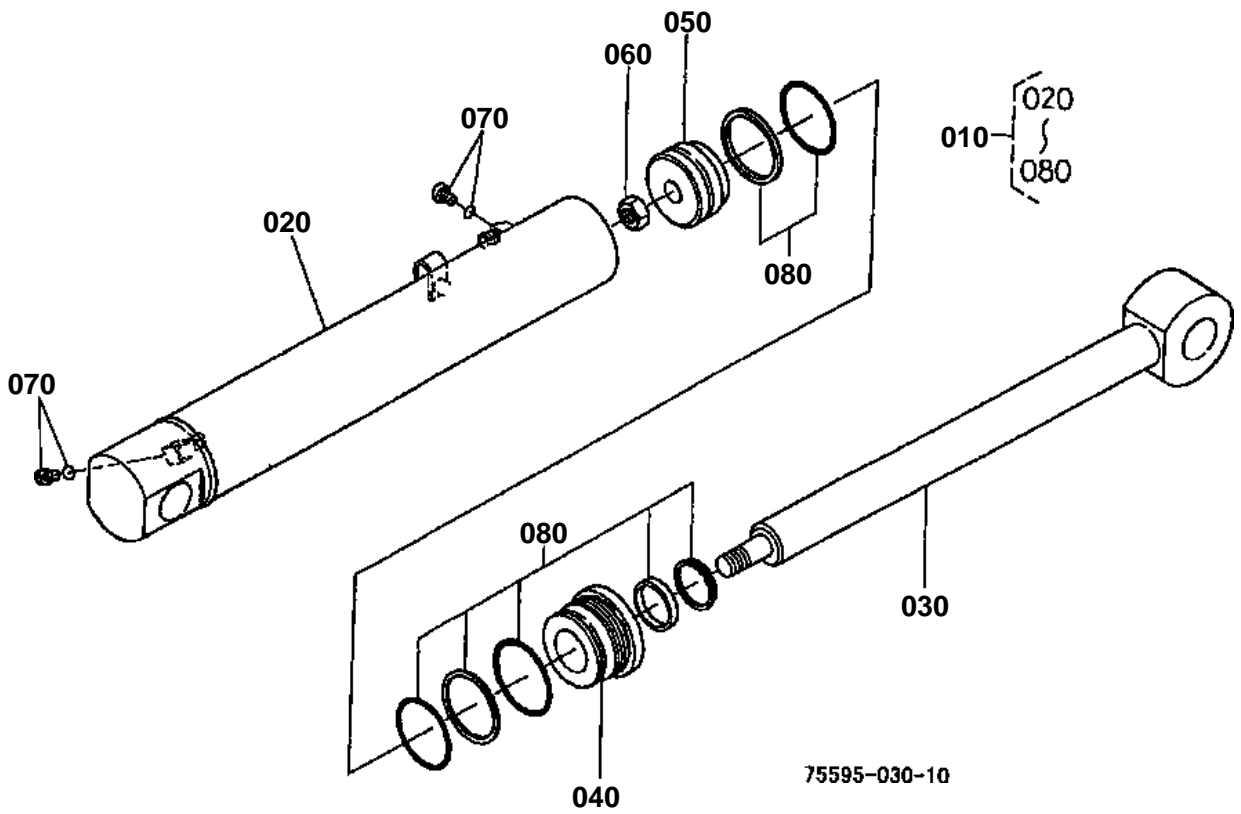
**STABILIZER CYLINDER LH [COMPONENT PARTS]**

[S.No.<=14617]

↔ Interchangeable; ≠ not interchangeable; ← new for old; → old for new

REF.No	Part No.	Description	Q'ty	S.No.	I/C	REMARKS	Weight (kgf)	Weight (lb)
010	75595-52010	ASSY CYLINDER LH ST	1				0	0
020	75595-52030	COMP TUBE LH STABI.	1				0	0
030	75595-52050	COMP ROD STABI.	1				0	0
040	75595-13110	HEAD	1				0	0
050	75595-52210	PISTON	1				0	0
060	75595-13250	NUT	1				0	0
070	75590-13270	PLUG	2				0	0
080	75595-13300	KIT SEAL	1				0	0

STABILIZER CYLINDER LH [COMPONENT PARTS]



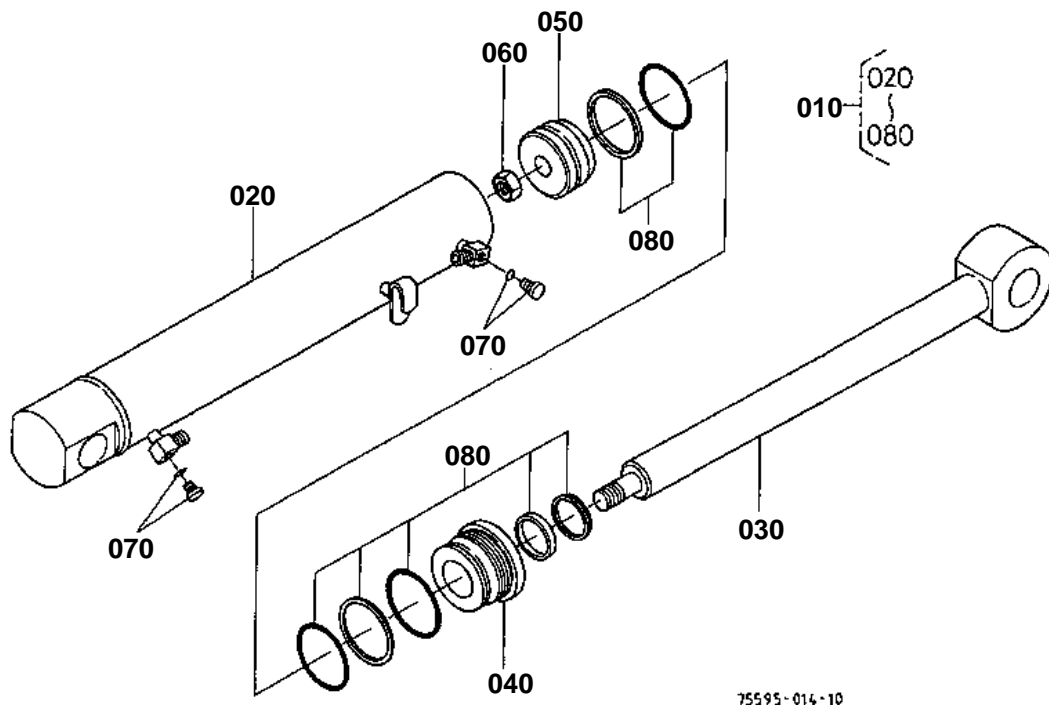


STABILIZER CYLINDER LH [COMPONENT PARTS]
[S.No.>=14618]

↔ Interchangeable; ≠ not interchangeable; ← new for old; → old for new

REF.No	Part No.	Description	Q'ty	S.No.	I/C	REMARKS	Weight (kgf)	Weight (lb)
010	75595-53010	ASSY CYLINDER LH ST	1				0	0
020	75595-53030	COMP TUBE LH STABI.	1				0	0
030	75595-53050	COMP ROD STABI.	1				0	0
040	75595-14310	HEAD	1				0	0
050	75595-44210	PISTON	1				0	0
060	75595-13260	NUT	1				0	0
070	75590-13270	PLUG	2				0	0
080	75595-54300	KIT SEAL	1				0	0

STABILIZER CYLINDER RH [COMPONENT PARTS]



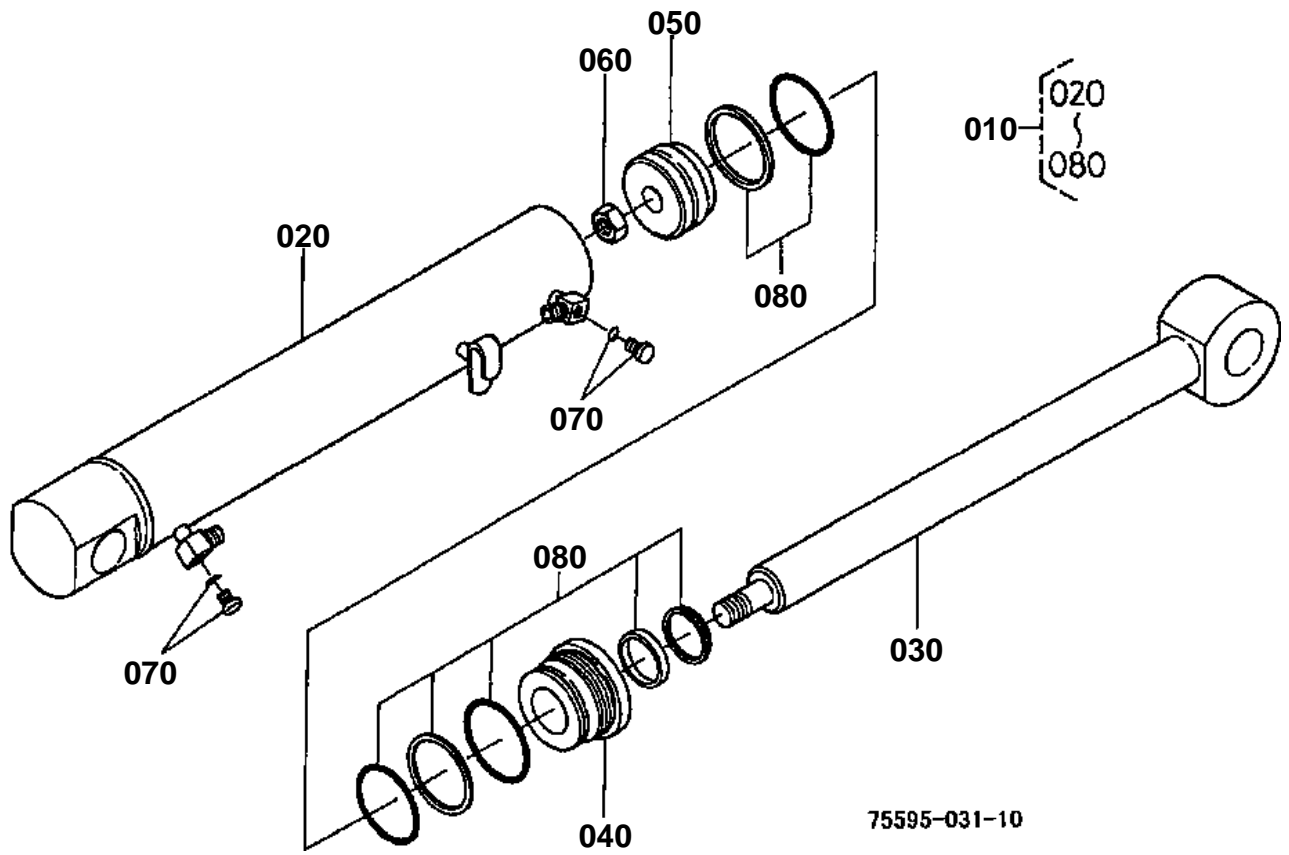
**STABILIZER CYLINDER RH [COMPONENT PARTS]**

[S.No.<=14617]

↔ Interchangeable; ≠ not interchangeable; ← new for old; → old for new

REF.No	Part No.	Description	Q'ty	S.No.	I/C	REMARKS	Weight (kgf)	Weight (lb)
010	75595-52020	ASSY CYLINDER RH ST	1				0	0
020	75595-52040	COMP TUBE RH STABI.	1				0	0
030	75595-52050	COMP ROD STABI.	1				0	0
040	75595-13110	HEAD	1				0	0
050	75595-52210	PISTON	1				0	0
060	75595-13250	NUT	1				0	0
070	75590-13270	PLUG	2				0	0
080	75595-13300	KIT SEAL	1				0	0

STABILIZER CYLINDER RH [COMPONENT PARTS]



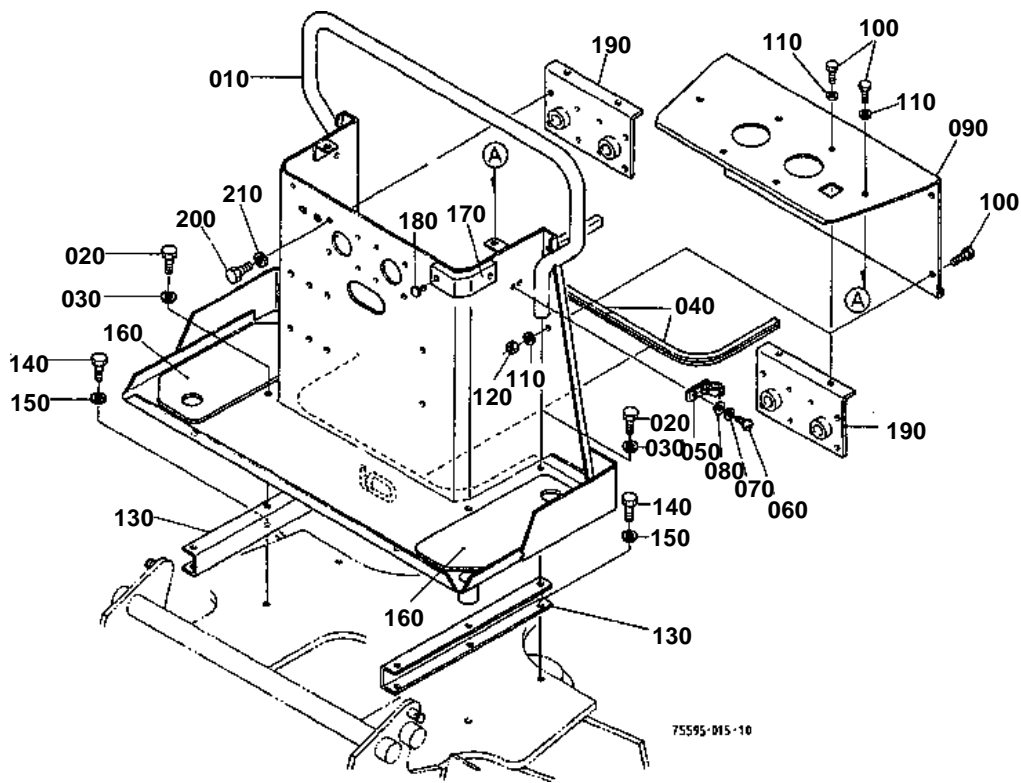


STABILIZER CYLINDER RH [COMPONENT PARTS]
[S.No.>=14618]

↔ Interchangeable; ≠ not interchangeable; ← new for old; → old for new

REF.No	Part No.	Description	Q'ty	S.No.	I/C	REMARKS	Weight (kgf)	Weight (lb)
010	75595-53020	ASSY CYLINDER RH ST	1				0	0
020	75595-53040	COMP TUBE RH STABI.	1				0	0
030	75595-53050	COMP ROD STABI.	1				0	0
040	75595-14310	HEAD	1				0	0
050	75595-44210	PISTON	1				0	0
060	75595-13260	NUT	1				0	0
070	75590-13270	PLUG	2				0	0
080	75595-54300	KIT SEAL	1				0	0

STEP

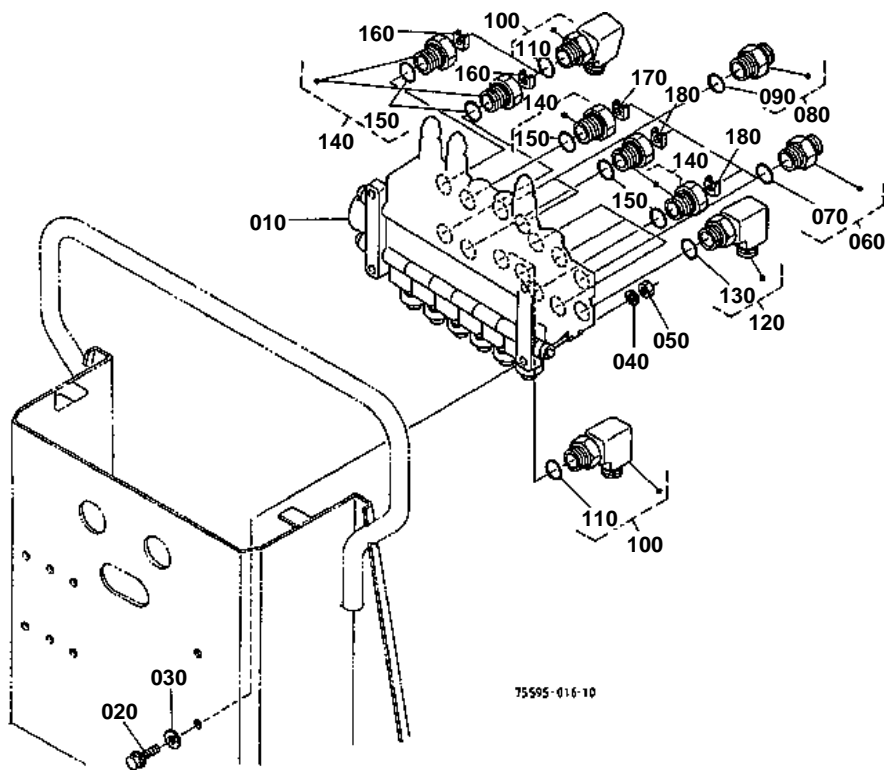


**STEP**

↔ Interchangeable; ≠ not interchangeable; ← new for old; → old for new

REF.No	Part No.	Description	Q'ty	S.No.	I/C	REMARKS	Weight (kgf)	Weight (lb)
010	75595-61113	COMP STEP	1				0	0
020	75599-02315	HEX.BOLT	6			(3/8-24UNF X 3/4)	0	0
030	75599-33013	WASHER SPRING LOCK	6			(3/8)	0.01	0.022
040	75590-61180	GUARD HOSE	2				0	0
050	33251-83900	SPRING BONNET HOLDE	1				0.008	0.0176
060	75590-54150	SCREW	2			(10-32UNF X 5/8)	0	0
070	75599-33008	WASHER SPRING LOCK	2			(#10)	0	0
080	75599-32208	WASHER PLAIN BN	2			(#10)	0	0
090	75595-61210	COVER VALVE	1				0	0
100	75599-02212	HEX.BOLT	10			(5/16-24UNF X 5/8)	0	0
110	75599-33012	WASHER SPRING LOCK	10			(5/16)	0.002	0.0044
120	75599-31022	HEX.NUT	4			(5/16-24UNF)	0	0
130	75595-61250	SUPPORT STEP	2				0	0
140	75599-02315	HEX.BOLT	6			(3/8-24UNF X 3/4)	0	0
150	75599-33013	WASHER SPRING LOCK	6			(3/8)	0.01	0.022
160	75595-61242	PAD GRIP	2				0	0
170	75595-61260	PROTECTOR	2				0	0
180	75595-61272	CLIP BUTTON	4				0	0
190	75595-61310	SUPPORT 1 LEVER	2				0	0
200	75599-02215	HEX.BOLT	4			(5/16-24UNF X 3/4)	0	0
210	75599-33012	WASHER SPRING LOCK	4			(5/16)	0.002	0.0044

CONTROL VALVE



75595-016-10

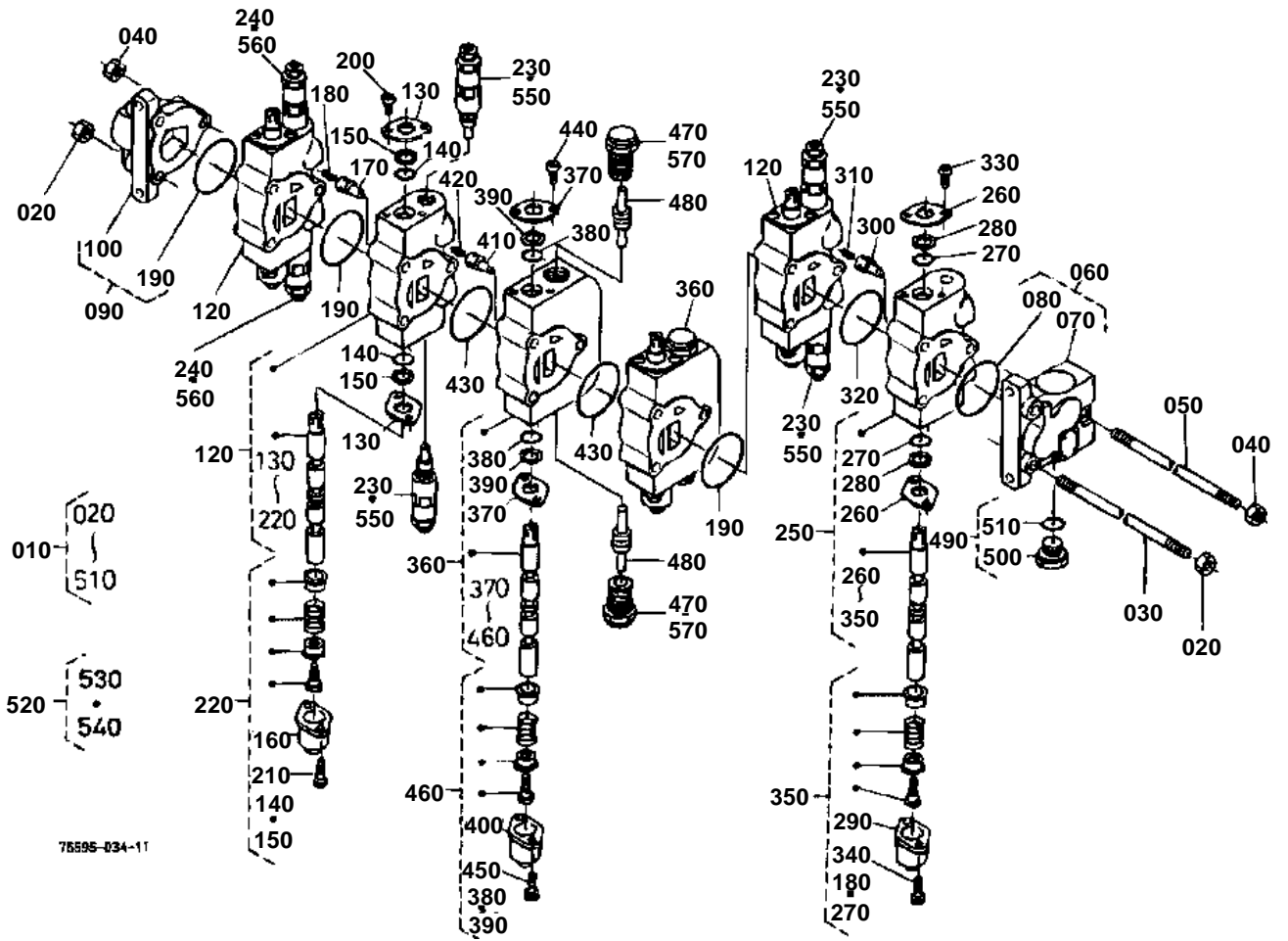


CONTROL VALVE

↔ Interchangeable; ≠ not interchangeable; ← new for old; → old for new

REF.No	Part No.	Description	Q'ty	S.No.	I/C	REMARKS	Weight (kgf)	Weight (lb)
010	75595-63012	ASSY VALVE CONTROL	1	<=171053			0	0
010	75595-63015	ASSY VALVE CONTROL	1	>=171054	←		0	0
020	75599-04325	HEX.BOLT	4			(3/8-24UNF X 1 1/4)	0	0
030	75599-32113	WASHER PRAIN	4			(3/8W)	0	0
040	75599-33013	WASHER SPRING LOCK	4			(3/8)	0.01	0.022
050	75599-31023	HEX.NUT	4			(3/8-24UNF)	0.006	0.0132
060	75580-61800	ASSY ADAPTER	7				0	0
070	75540-61820	O-RING	7				0	0
080	75540-61800	ASSY ADAPTER	2				0	0
090	75540-61820	O-RING	2				0	0
100	75540-61900	ASSY ELBOW ADJUSTAB	4				0	0
110	75540-61820	O-RING	4				0	0
120	75560-61950	ASSY ELBOW ADJUST	1				0	0
130	75540-61820	O-RING	1				0	0
140	75595-63400	ASSY PLUG ORIFICE	5				0	0
150	75540-61820	O-RING	5				0	0
160	75595-63420	PLATE ORIFICE	2			(7/64) 6A 6B	0	0
170	75595-63440	PLATE ORIFICE	1			(1/8) 5B	0	0
180	75595-63450	PLATE ORIFICE	2			(5/32) 2A 5A	0	0

CONTROL VALVE [COMPONENT PARTS]



76595-034-11



CONTROL VALVE [COMPONENT PARTS]

↔ Interchangeable; ≠ not interchangeable; ← new for old; → old for new

REF.No	Part No.	Description	Q'ty	S.No.	I/C	REMARKS	Weight (kgf)	Weight (lb)
010	75595-63012	ASSY VALVE CONTROL	1	<=17053			0	0
010	75595-63015	ASSY VALVE CONTROL	1	>=17054	←		0	0
020	75540-61740	NUT SPECIAL	4			(1861)	0	0
030	75592-63030	ROD TIE	2			(5069-6)	0	0
040	75540-61730	NUT SPECIAL	2			(1052)	0	0
050	75592-63040	ROD TIE	1			(5089-6)	0	0
060	75540-61200	ASSY INLET SECTION	1			(A161)	0	0
070	75540-61212	HOUSING INLET	1			(A47) NOT SALE	0	0
080	75540-61250	O-RING	1			(564)	0	0
090	75592-63800	ASSY OUTLET SECTION	1				0	0
100	75592-63810	HOUSING OUTLET	1			(A1) NOT SALE	0	0
110	99999-99999	BLANK	0				0	0
120	75592-63100	ASSY SPOOL SECTION	3			(V91)	0	0
130	75540-61330	PLATE-SEAL	6			(5012)	0.012	0.0264
140	75553-99810	O-RING	6			(60-113)	0	0
150	75540-99720	WIPER	6			(5029)	0	0
160	75540-61450	CAP-SPOOL	3			(5028)	0	0
170	75540-61380	POPPET-C.V.	3			(5011)	0.002	0.0044
180	75540-61390	SPRING	3			(5064)	0.001	0.0022
190	75540-61250	O-RING	3			(564)	0	0
200	75540-61440	MACHINE SCREW-RD.HD.	6			(3432)	0	0
210	75540-61460	CAP SCREW-SOC.HD.	6			(5035)	0	0
220	75540-61470	KIT CAP SPOOL SECT.	3			(54651)	0	0
230	75595-63200	ASSY RELIEF VALVE	4			(5060-P)	0	0
240	75595-63300	ASSY RELIEF VALVE	2				0	0
250	75592-63500	ASSY SPOOL SECTION	1			(V90)	0	0
260	75540-61330	PLATE-SEAL	2			(5012)	0.012	0.0264
270	75553-99810	O-RING	2			(60-113)	0	0
280	75540-99720	WIPER	2			(5029)	0	0
290	75540-61450	CAP-SPOOL	1			(5028)	0	0
300	75540-61380	POPPET-C.V.	1			(5011)	0.002	0.0044
310	75540-61390	SPRING	1			(5064)	0.001	0.0022
320	75540-61250	O-RING	1			(564)	0	0
330	75540-61440	MACHINE SCREW-RD.HD.	2			(3432)	0	0
340	75540-61460	CAP SCREW-SOC.HD.	2			(5035)	0	0
350	75540-61470	KIT CAP SPOOL SECT.	1			(54651)	0	0
360	75595-63600	ASSY SPOOL SECTION	2	<=17053		(Y4)	0	0
360	75595-63603	ASSY SPOOL SECTION	2	>=17054	←	(Y4)	0	0
370	75540-61330	PLATE-SEAL	4			(5012)	0.012	0.0264
380	75553-99810	O-RING	4			(60-113)	0	0
390	75540-99720	WIPER	4			(5029)	0	0
400	75540-61450	CAP-SPOOL	2			(5028)	0	0
410	75540-61380	POPPET-C.V.	2			(5011)	0.002	0.0044
420	75540-61390	SPRING	2			(5064)	0.001	0.0022
430	75540-61250	O-RING	2			(564)	0	0
440	75540-61440	MACHINE SCREW-RD.HD.	4			(3432)	0	0
450	75540-61460	CAP SCREW-SOC.HD.	4			(5035)	0	0
460	75540-61470	KIT CAP SPOOL SECT.	2			(54651)	0	0
470	75595-63700	ASSY LOCKOUT VALVE	4	<=17053		(53896)	0	0
470	75595-63703	ASSY LOCKOUT VALVE	4	>=17054	←	(53896)	0	0
480	75595-63750	SHUTTLE VALVE	4			(53892)	0	0
485	75595-63760	PUSH ROD	4			(55351)	0	0
490	75540-61600	ASSY PLUG	1			(11180)	0	0
500	75540-61610	PLUG-SAE	1			(3390)	0	0
510	75540-61620	O-RING	1			(3384)	0	0

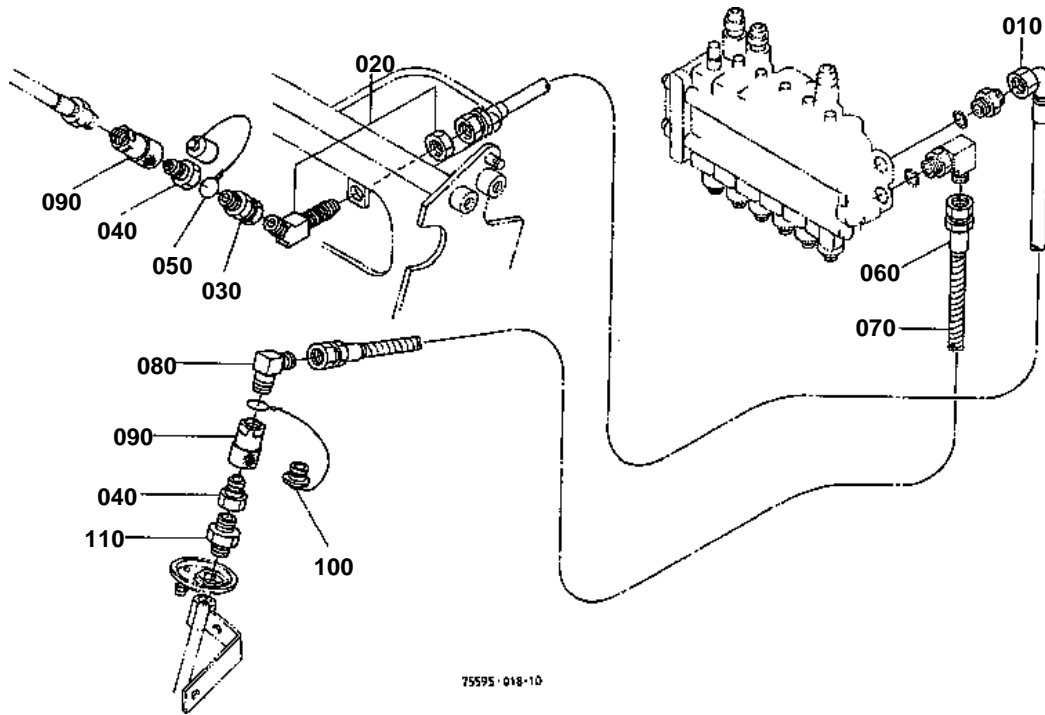


CONTROL VALVE [COMPONENT PARTS]

↔ Interchangeable; ≠ not interchangeable; ← new for old; → old for new

REF.No	Part No.	Description	Q'ty	S.No.	I/C	REMARKS	Weight (kgf)	Weight (lb)
520	75540-99800	KIT SEAL SPOOL SEC.	1			REF.No.530 540	0	0
530	75553-99810	O-RING	2			(60-113)	0	0
540	75540-99720	WIPER	2			(5029)	0	0
550	75595-63210	KIT SEAL	4				0	0
560	75595-63310	KIT SEAL	2				0	0
570	75595-63790	KIT SEAL LOCKOUT	4	<=17053			0	0
570	75595-63792	KIT SEAL LOCKOUT	4	>=17054	←		0	0

HYDRAULIC HOSE (INLET/OUTLET)



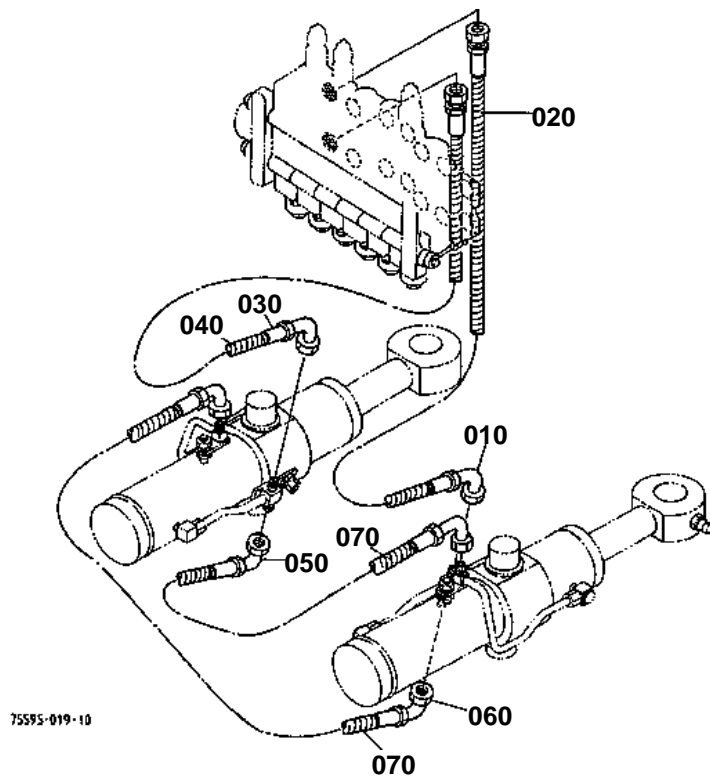


HYDRAULIC HOSE (INLET/OUTLET)

↔ Interchangeable; ≠ not interchangeable; ← new for old; → old for new

REF.No	Part No.	Description	Q'ty	S.No.	I/C	REMARKS	Weight (kgf)	Weight (lb)
010	75595-64112	HOSE HYDRAULIC	1				0	0
020	75595-64170	ELBOW	1			(BU.45)	0	0
030	75595-64190	ADAPTER	1				0	0
040	75560-66220	NIPPLE	2				0	0
050	75560-66430	CAP DUST	1				0	0
060	75595-64150	HOSE HYDRAULIC	1				0	0
070	75595-64132	GUARD HOSE	1				0	0
080	75595-64140	ELBOW	1				0	0
090	75560-66320	COUPLER	2				0	0
100	75640-66330	PLUG DUST	1				0	0
110	75595-64160	ADAPTER PT	1				0	0

HYDRAULIC HOSE (SWING)



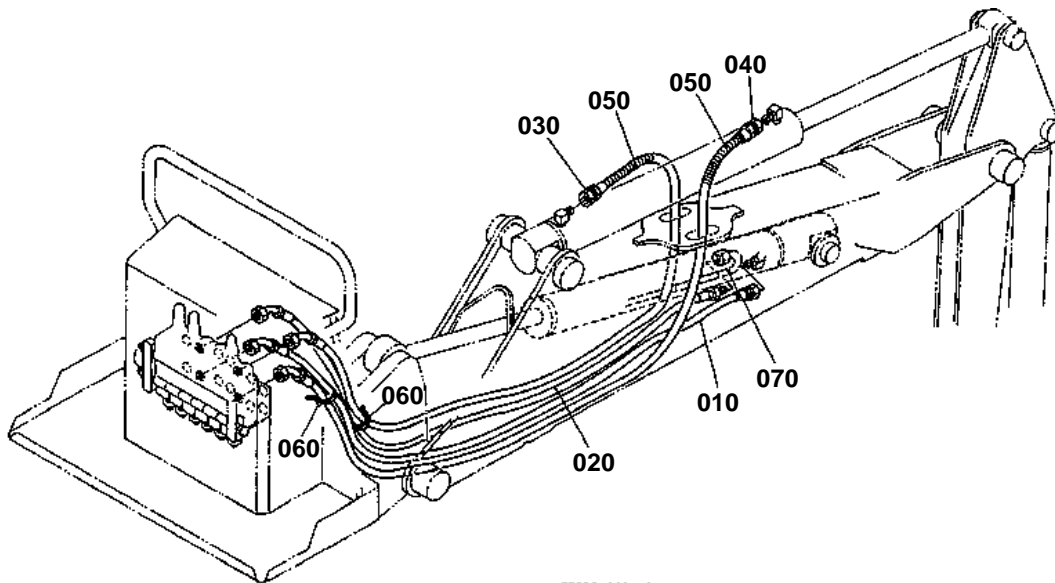


HYDRAULIC HOSE (SWING)

↔ Interchangeable; ≠ not interchangeable; ← new for old; → old for new

REF.No	Part No.	Description	Q'ty	S.No.	I/C	REMARKS	Weight (kgf)	Weight (lb)
010	75595-64230	HOSE HYDRAULIC	1				0	0
020	75595-64282	GUARD HOSE	1				0	0
030	75595-64250	HOSE HYDRAULIC	1				0	0
040	75595-64290	GUARD HOSE	1				0	0
050	75595-64260	HOSE 12L HYDRAULIC	1				0	0
060	75595-64270	HOSE 12R HYDRAULIC	1				0	0
070	75595-64300	GUARD HOSE	2				0	0

HYDRAULIC HOSE (BOOM/DIPPERSTICK)



75395-020-10



HYDRAULIC HOSE (BOOM/DIPPERSTICK)

↔ Interchangeable; ≠ not interchangeable; ← new for old; → old for new

REF.No	Part No.	Description	Q'ty	S.No.	I/C	REMARKS	Weight (kgf)	Weight (lb)
010	75595-64310	HOSE HYDRAULIC	1				0	0
020	75595-64320	HOSE HYDRAULIC	1				0	0
030	75595-64410	HOSE HYDRAULIC	1				0	0
040	75595-64430	HOSE 9 HYDLAURIC	1				0	0
050	75590-64450	GUARD HOSE	2				0	0
060	75590-64650	BAND CODE	2				0	0
070	75595-22060	ASSY TUBE HYDRAULIC	1				0	0

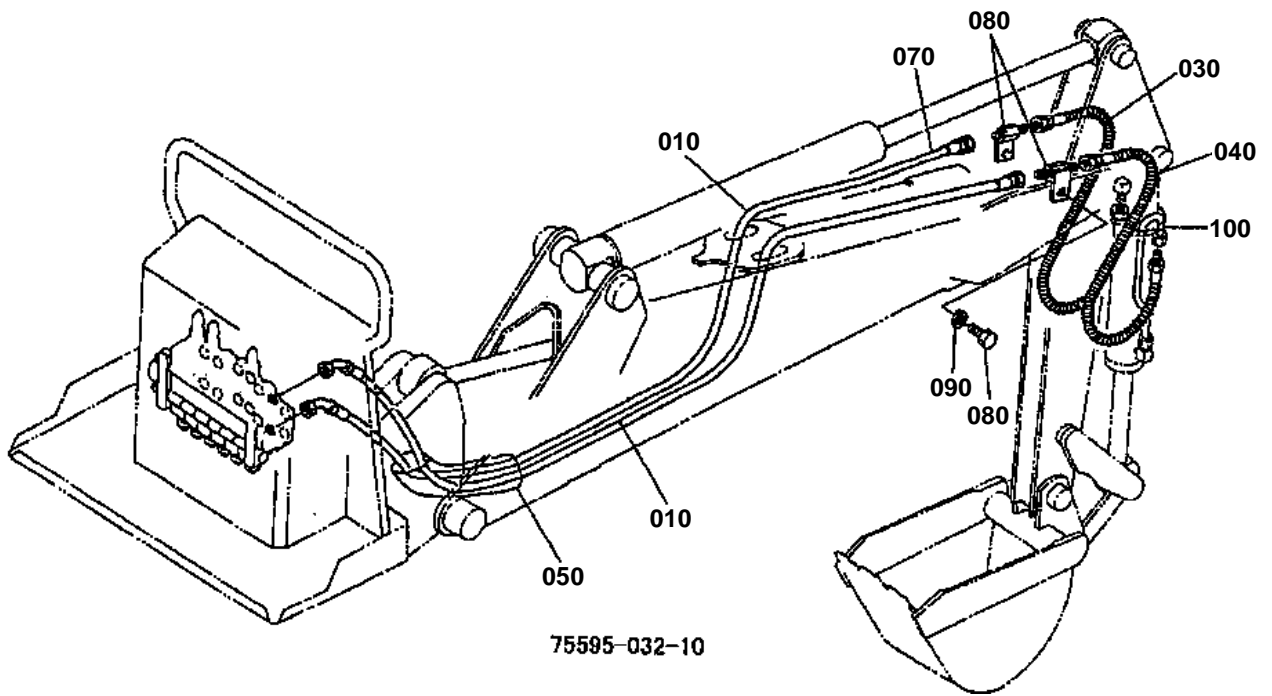


HYDRAULIC HOSE (BUCKET)
[OLD TYPE]

↔ Interchangeable; ≠ not interchangeable; ← new for old; → old for new

REF.No	Part No.	Description	Q'ty	S.No.	I/C	REMARKS	Weight (kgf)	Weight (lb)
010	75595-64510	HOSE HYDRAULIC	1				0	0
020	75595-64530	HOSE HYDRAULIC	1				0	0
030	75595-64550	HOSE 12L HYDRAULIC	1				0	0
040	75595-64560	HOSE 12R HYDRAULIC	1				0	0
050	75590-64580	SLEEVE	1				0	0
060	75595-64710	TUBE HYDRAULIC	1				0	0
070	75595-64720	TUBE HYDRAULIC	1				0	0
080	75599-04312	HEX.BOLT	4			(3/8-24UNF X 5/8)	0	0
090	75599-33013	WASHER SPRING LOCK	4			(3/8)	0.01	0.022
100	75595-43060	ASSY TUBE HYDRAULIC	1				0	0

HYDRAULIC HOSE (BUCKET)



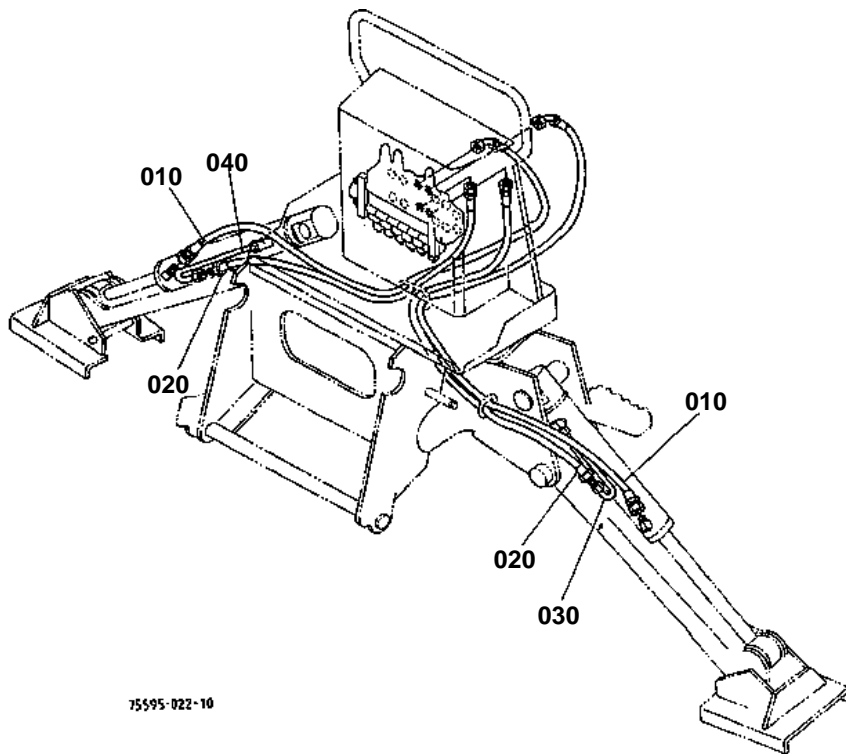


HYDRAULIC HOSE (BUCKET)
[NEW TYPE]

↔ Interchangeable; ≠ not interchangeable; ← new for old; → old for new

REF.No	Part No.	Description	Q'ty	S.No.	I/C	REMARKS	Weight (kgf)	Weight (lb)
010	75595-64512	HOSE HYDRAULIC	2				0	0
020	99999-99999	BLANK	0				0	0
030	75595-64550	HOSE 12L HYDRAULIC	1	<=15931			0	0
030	75596-64550	HOSE 12L HYDRAULIC	1	>=15932	↔		0	0
040	75595-64560	HOSE 12R HYDRAULIC	1	<=15931			0	0
040	75596-64560	HOSE 12R HYDRAULIC	1	>=15932	↔		0	0
050	75595-64580	SLEEVE	2				0	0
060	75596-64710	TUBE HYDRAULIC	2				0	0
070	99999-99999	BLANK	0				0	0
080	75599-04312	HEX.BOLT	2				0	0
090	75599-33013	WASHER SPRING	2				0.01	0.022
100	75595-43060	ASSY TUBE HYDRAULIC	1				0	0

HYDRAULIC HOSE (STABILIZER)



75595-022-10

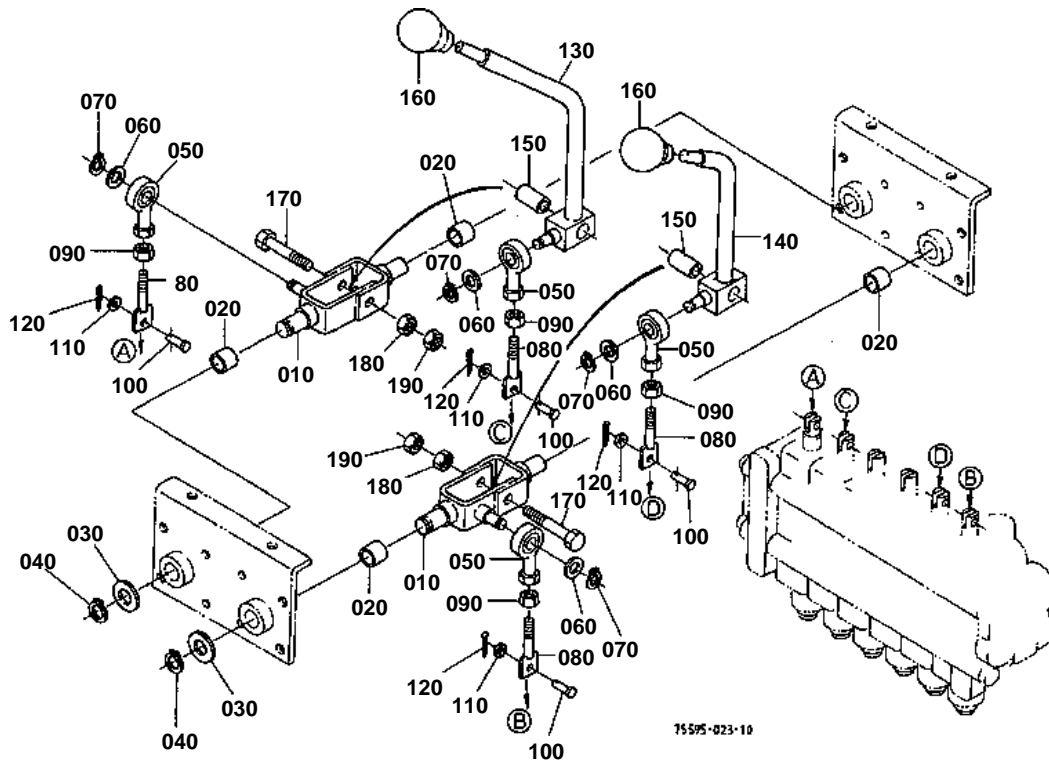


HYDRAULIC HOSE (STABILIZER)

↔ Interchangeable; ≠ not interchangeable; ← new for old; → old for new

REF.No	Part No.	Description	Q'ty	S.No.	I/C	REMARKS	Weight (kgf)	Weight (lb)
010	75595-64610	HOSE HYDRAULIC	2				0	0
020	75595-64630	HOSE HYDRAULIC	2				0	0
030	75595-52060	ASSY TUBE HYDRAULIC	1				0	0
040	75595-52060	ASSY TUBE HYDRAULIC	1				0	0

CONTROL LEVER 1



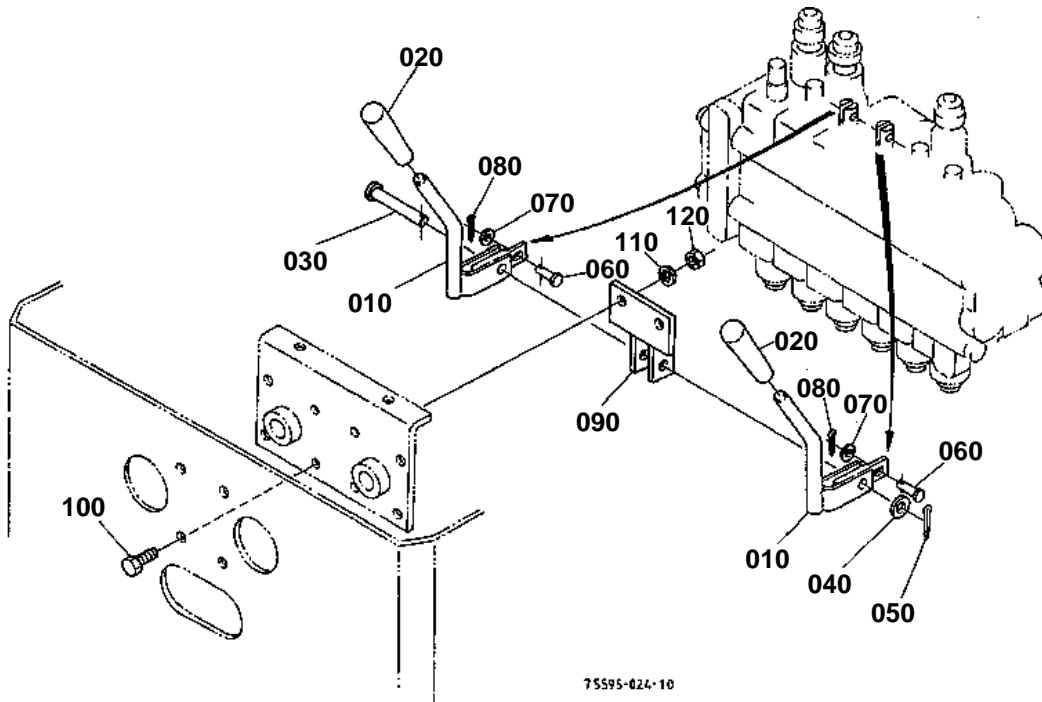


CONTROL LEVER 1

↔ Interchangeable; ≠ not interchangeable; ← new for old; → old for new

REF.No	Part No.	Description	Q'ty	S.No.	I/C	REMARKS	Weight (kgf)	Weight (lb)
010	75595-71130	LEVER	2				0	0
020	75540-62140	BUSHING	4				0	0
030	75545-62150	COLLAR	2				0	0
040	75599-41522	CIR-CRIP EXTERNAL	2			(5/8)	0	0
050	75540-62260	JOINT ROD END	4				0	0
060	75540-62270	COLLAR	4				0	0
070	75599-41515	CIR-CRIP EXTERNAL	4			(3/8)	0	0
080	75540-62280	ROD	4				0	0
090	75599-31043	HEX.JAM NUT	4			(3/8-24UNF)	0	0
100	75540-62190	PIN	4				0	0
110	75599-32009	WASHER PLAIN	4			(13/64)	0	0
120	75599-53110	PIN COTTER	4			(1/32 X 1/2)	0	0
130	75595-72110	LEVER CONTROL LH	1				0	0
140	75595-72130	LEVER CONTROL RH	1				0	0
150	75595-72150	SLEEVE	2				0	0
160	31355-82520	GRIP LEVER	2				0.05	0.11
170	75599-04350	HEX.BOLT	2			(3/8-24UNF X 2 1/2)	0	0
180	75599-31023	HEX.NUT	2			(3/8-24UNF)	0.006	0.0132
190	75599-31043	HEX.JAM NUT	2			(3/8-24UNF)	0	0

CONTROL LEVER 2

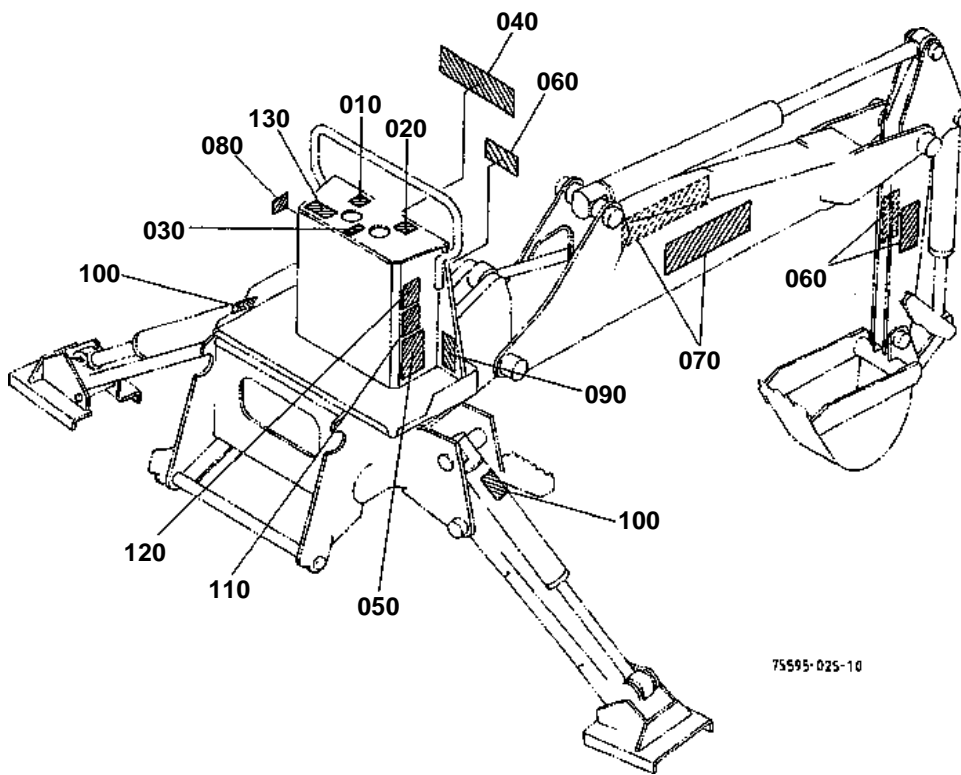




CONTROL LEVER 2

↔ Interchangeable; ≠ not interchangeable; ← new for old; → old for new

REF.No	Part No.	Description	Q'ty	S.No.	I/C	REMARKS	Weight (kgf)	Weight (lb)
010	75590-72212	LEVER CONTROL	2				0	0
020	06914-00100	GRIP LEVER	2				0.02	0.044
030	75599-51247	PIN CLEVIS	1			(5/16 X 2 3/8)	0	0
040	75599-32012	WASHER PLAIN	1			(5/16)	0.002	0.0044
050	75599-53162	PIN COTTER	1			(7/64 X 3/4)	0	0
060	75540-62190	PIN	2				0	0
070	75599-32009	WASHER PLAIN	2			(13/64)	0	0
080	75599-53110	PIN COTTER	2			(1/32 X 1/2)	0	0
090	75592-72230	SUPPORT 1 LEVER	1				0	0
100	75599-02115	HEX.BOLT	4			(1/4-28UNF X 3/4)	0	0
110	75599-33010	WASHER SPRING LOCK	4			(1/4)	0	0
120	75599-31020	HEX.NUT	4			(1/4-28UNF)	0	0





LABEL

↔ Interchangeable; ≠ not interchangeable; ← new for old; → old for new

REF.No	Part No.	Description	Q'ty	S.No.	I/C	REMARKS	Weight (kgf)	Weight (lb)
010	75590-75110	LABEL 1 CONTROL LEV	1				0	0
020	75590-75120	LABEL 1 CONTROL LEV	1				0	0
030	75590-75130	LABEL 1 CONTROL LEV	1				0	0
040	75595-75140	LABEL MODEL BT900	1				0	0
050	75595-75150	LABEL INSTRUCTION	1				0	0
060	75595-75172	LABEL WARNING	3				0	0
070	75580-58452	LABEL KUBOTA	2				0	0
080	75595-75210	LABEL MODEL	1				0	0
090	75595-75242	LABEL WARNING	1				0	0
100	75590-75260	LABEL SWING	2				0	0
110	75590-75272	LABEL CAUTION	1				0	0
120	75595-75282	LABEL WARNING	1				0	0
130	75595-75292	LABEL WARNING	1				0	0



ACCESSORIES AND SERVICE PARTS

↔ Interchangeable; ≠ not interchangeable; ← new for old; → old for new

REF.No	Part No.	Description	Q'ty	S.No.	I/C	REMARKS	Weight (kgf)	Weight (lb)
010	75595-79910	OPERATOR'S MANUAL	1				0	0