

# Instructions for Parts Books

The heading at the top of the page will be the same for the picture of the parts at it is for the page with the part numbers.

Definition of column headings on part number pages:

**REF.No** → The number referring to the part on the picture page of the parts book.

**Part No.** → The number assigned to this part at the time of printing the parts book.

**Description** → Description of part.

**Q'ty** → Quantity of part used on that page.

**S.No.** → Serial number range of the equipment that this part will fit.

**>=** Your serial number should be greater than or equal to the number shown.

**<=** Your serial number should be lesser than or equal to the serial number shown.

**I/C** → Interchangeability of part shown.

**↔** The part shown will work for the older and later serial number.

**#** The part shown is not interchangeable with the other serial number.

**←** new for old

**→** old for new

**Remarks** → Notes about this particular part. Sometimes this may say except [FR] or [CA]

## Note about Country Codes:

The parts books we use in the United States of America may also contain information about a part that would be different in another country. It is important that you are aware of the country codes in some instances.

Symbol Country

A United States of America

CA Canada

FR France

GR Greece

PO Portugal

AU Australia

If the remark column says for example EXCEPT [FR] this part works in all countries except France.

That means it will work here in the USA.

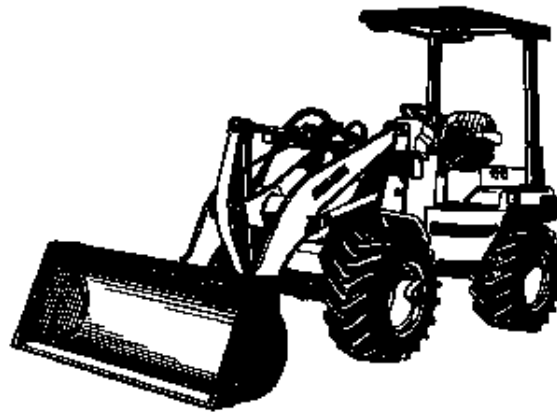
## Excavators & Wheel Loaders

Country symbols sometimes used:

KCL - Kubota Canada Ltd

KTA - Kubota Tractor Australia

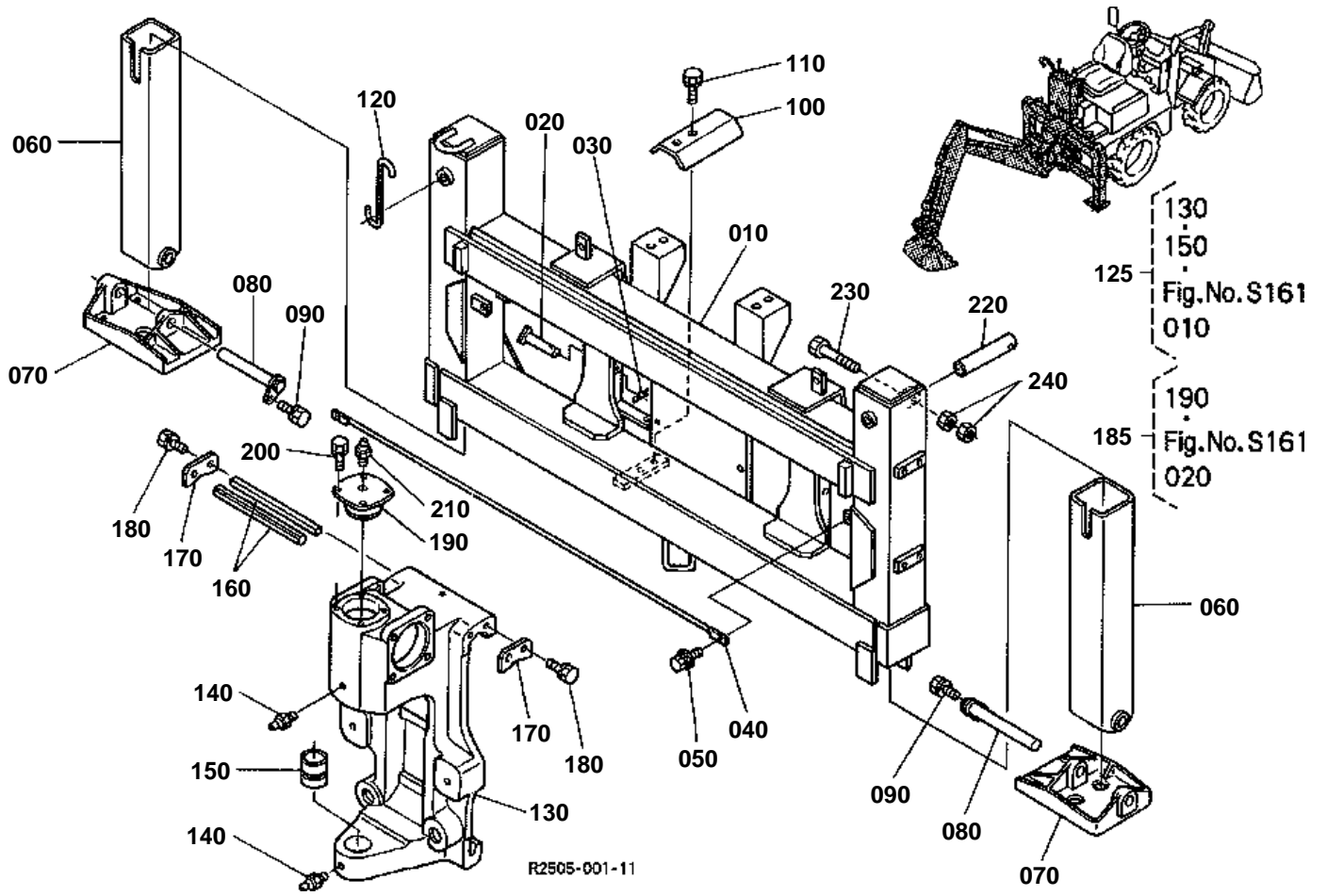
KTC - Kubota Tractor Corp. (USA)



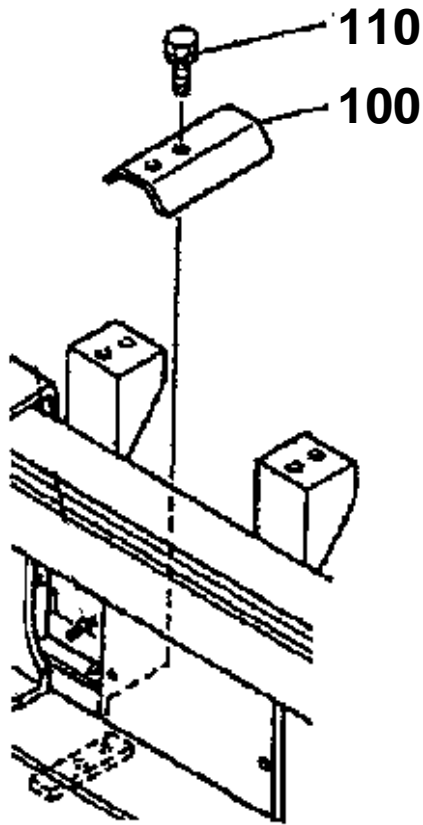
REAR ATTACHMENTS (BACK HOE)

Item	Part No.	Description	Book
REAR ATTACHMENTS (BACK HOE)	03S160	SLIDE FRAME	100K0676
	03S161	SWING BRACKET	100K0676
	03S162	BOOM	100K0676
	03S163	ARM	100K0676
	03S164	BUCKET LINK	100K0676
	03S165	BUCKET	100K0676
	03S166	OUT LIGGER CYLINDER	100K0676
	03S167	SWING CYLINDER	100K0676
	03S168	BOOM CYLINDER	100K0676
	03S169	ARM CYLINDER	100K0676
	03S170	BUCKET CYLINDER	100K0676
	03S171	SLIDE LICK CYLINDER	100K0676
	03S172	OIL PIPING QUICK COUPLER	100K0676
	03S173	OIL PIPING OUT LIGGER	100K0676
	03S174	OIL PIPING SLIDE LOCK 1	100K0676
	03S175	OIL PIPING SLIDE LOCK 2	100K0676
	03S176	OIL PIPING ARM	100K0676
	03S177	OIL PIPING BOOM	100K0676
	03S178	OIL PIPING BUCKET	100K0676
	03S179	OIL PIPING SWING	100K0676
	03S180	CONTROL VALVE [COMPONENT PARTS]	100K0676
	03S181	CONTROL VALVE SPOOL SECTION	100K0676
	03S182	CONTROL VALVE	100K0676
	03S183	CONTROL LEVER OUTLIGGER/SLIDE LOCK	100K0676
	03S184	CONTROL LEVER OPERATING	100K0676
	03S185	CONTROL ARM	100K0676
	03S186	LOCK ROD	100K0676
	03S187	STAND	100K0676
	03S188-1	CONTROL CABLE [J.D.TYPE]	100K0676
	03S188-2	CONTROL CABLE	100K0676
	03S189	COVER	100K0676
	03S190-1	ACCEL	100K0676
	03S190-2	BH ACCEL	100K0676
	03S191	LABEL	100K0676

# SLIDE FRAME



100 R2501-6638-0  
110 01133-61020



R2505-801-10

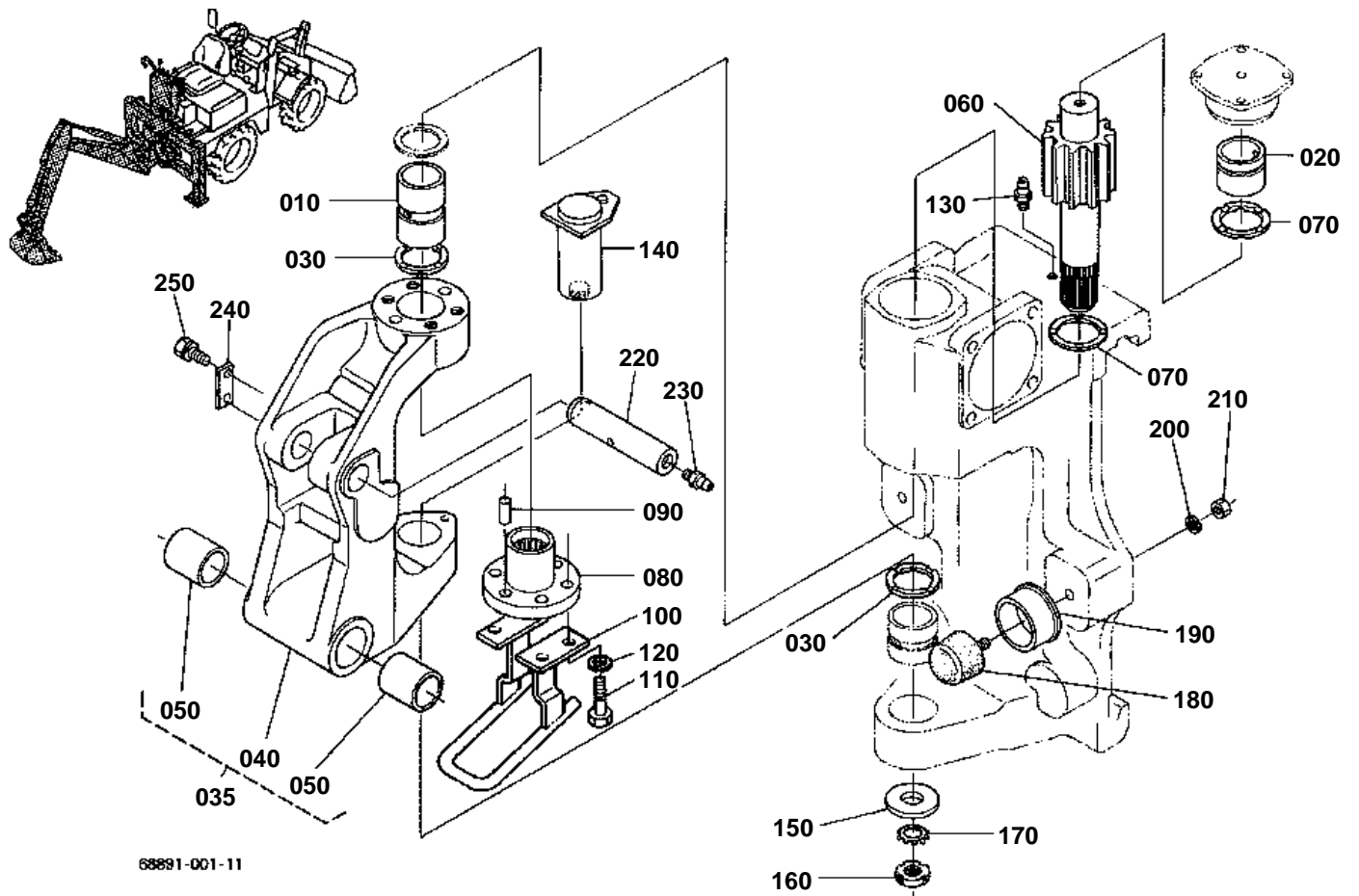


## SLIDE FRAME

↔ Interchangeable; ≠ not interchangeable; ← new for old; → old for new

REF.No	Part No.	Description	Q'ty	S.No.	I/C	REMARKS	Weight (kgf)	Weight (lb)
010	R2401-66110	FRAME SLID	1				0	0
020	68811-66132	PIN	2				0.38	0.836
030	68811-41520	PIN SNAP	2				0.01	0.022
040	68817-66180	GUIDE HOSE	2				0.53	1.166
050	01125-60816	BOLT	4				0.01	0.022
060	68869-66210	RIGGER OUT	2				11.5	25.3
070	69201-66233	PLATE	2				6.1	13.42
080	69201-67253	PIN	2				1.08	2.376
090	01123-61016	BOLT	2				0.018	0.0396
100	R2401-66380	COVER MUFFLER	1				0.8	1.76
110	01133-61020	BOLT	2				0.02	0.044
120	68869-66280	HOOK	1				1.12	2.464
125	R2401-66300	ASSY BRACKET SLIDE	1				99	217.8
130	68817-66310	BRACKET SLIDE	1				77	169.4
140	06611-15010	NIPPLE GREASE	2				0.01	0.022
150	68811-66463	BUSH	1				0.4	0.88
160	68817-66330	PIN	2				1.5	3.3
170	68817-66340	STOPPER	2				0.3	0.66
180	01133-61020	BOLT	4				0.02	0.044
185	R2401-66350	ASSY COVER SLIDE	1				2.22	4.884
190	68817-66360	COVER	1				1.79	3.938
200	01123-60820	BOLT	4				0.015	0.033
210	06611-15010	NIPPLE GREASE	1				0.01	0.022
220	68811-67220	PIN	2				0.86	1.892
230	01173-61065	BOLT	2				0.04	0.088
240	02118-60100	NUT	4				0.006	0.0132

# SWING BRACKET



68891-001-11

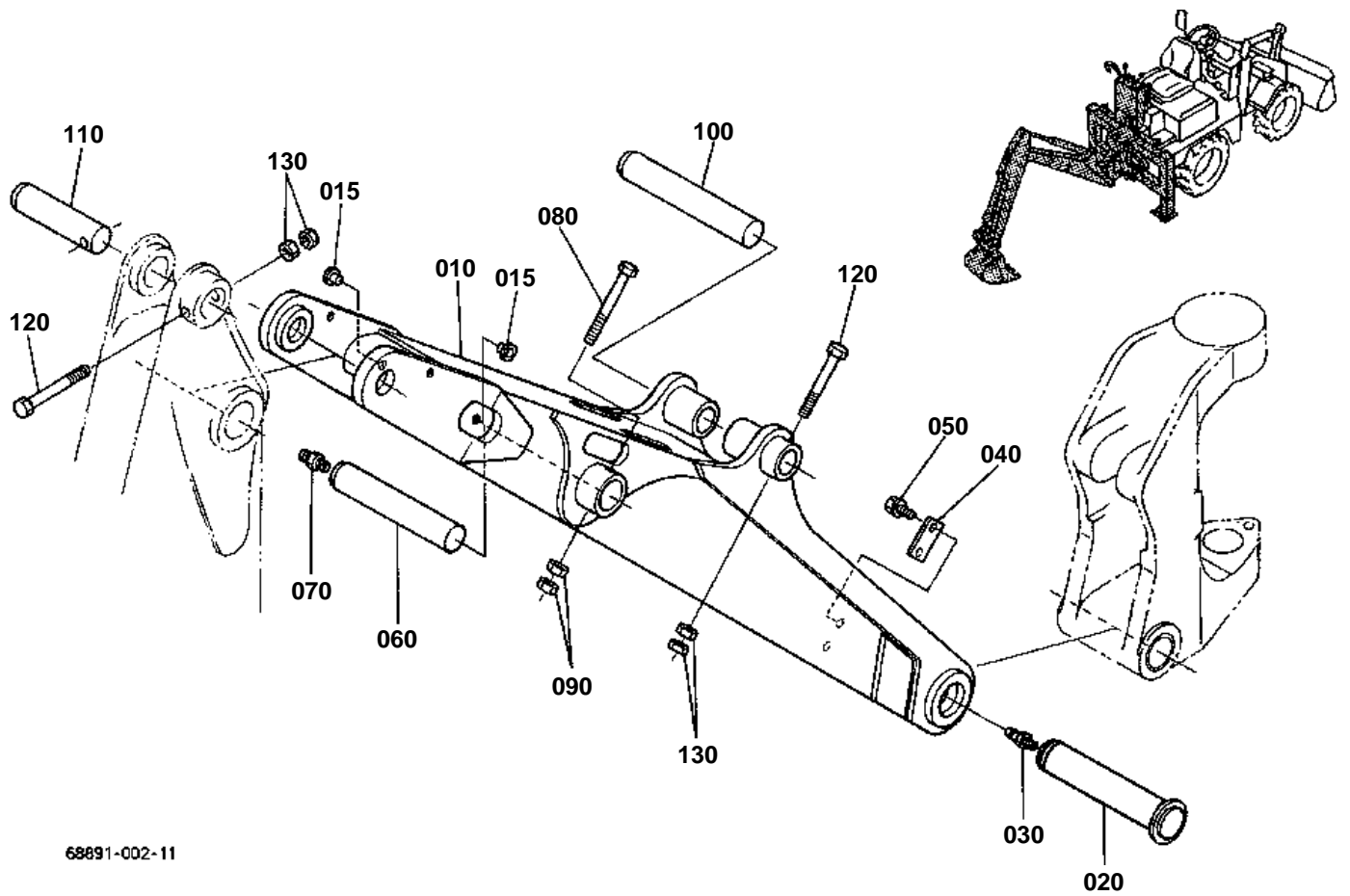
**SWING BRACKET**

↔ Interchangeable; ≠ not interchangeable; ← new for old; → old for new

REF.No	Part No.	Description	Q'ty	S.No.	I/C	REMARKS	Weight (kgf)	Weight (lb)
010	68817-67440	BUSH	1				0.65	1.43
020	68817-67450	BUSH	1				0.27	0.594
030	68811-67460	COLLAR THRUST	2				0.055	0.121
035	R2401-66400	ASSY BRACKET SWING	1				32.5	71.5
040	68817-66410	BRACKET SWING	1				27	59.4
050	68741-66524	BUSH	2				0.36	0.792
060	68817-67430	PINION SWING G	1				7.8	17.16
070	68811-67460	COLLAR THRUST	2				0.055	0.121
080	68817-66420	BOSS SPLINE	1				2.05	4.51
090	68221-66430	PIN KNOCK	2				0.05	0.11
100	68817-66430	GUIDE HOSE	1				0.6	1.32
110	01173-61650	BOLT	4				0.098	0.2156
120	04512-60160	WASHER SPRING	4				0.01	0.022
130	06611-15010	NIPPLE GREASE	1				0.01	0.022
140	68817-66450	SHAFT FULCRUM	1				2.6	5.72
150	68817-66460	WASHER	1				0.11	0.242
160	02410-00050	NUT BEARING	1				0.031	0.0682
170	04312-00050	WASHER BEARING	1				0.005	0.011
180	68817-66370	CUSHION	2				0.25	0.55
190	68817-66380	CASE CUSHION	2				0.37	0.814
200	04512-60120	WASHER SPRING	2				0.005	0.011
210	02156-60120	NUT	2				0.01	0.022
220	68817-67520	PIN	1				1.56	3.432
230	06611-15010	NIPPLE GREASE	1				0.01	0.022
240	69201-71240	PLATE KEY	1				0.05	0.11
250	01133-61020	BOLT	2				0.02	0.044

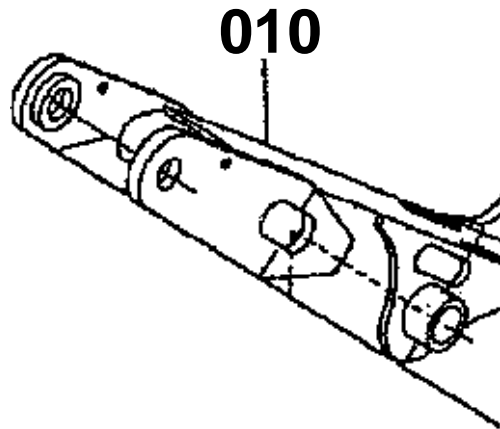


# BOOM



68891-002-11

010 68817-6651-0

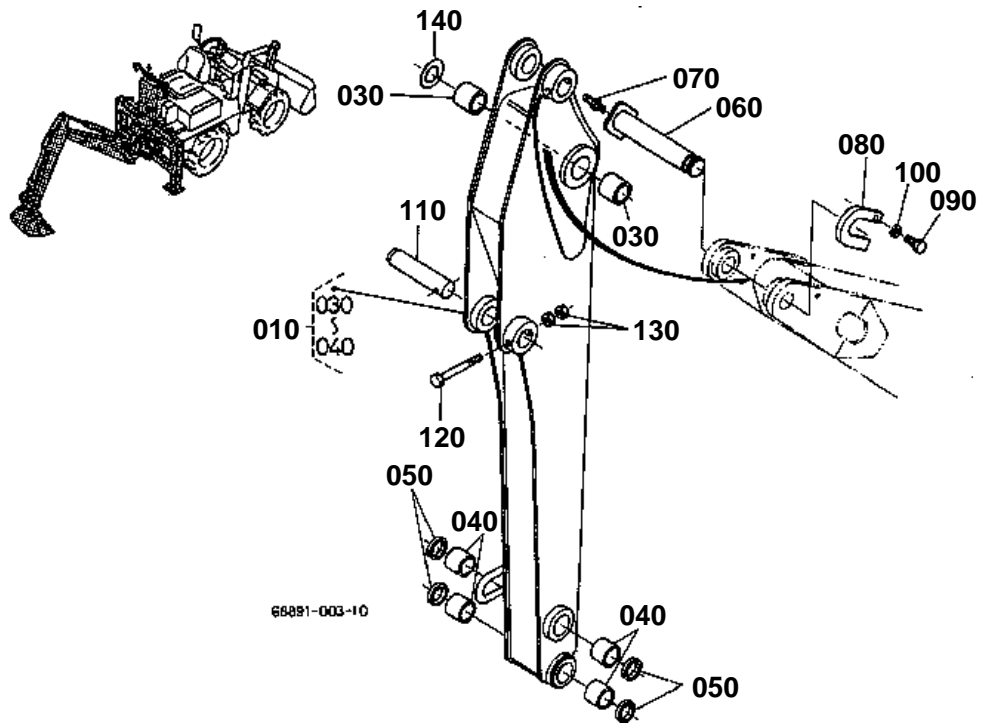


R2505-802-10

**BOOM**

↔ Interchangeable; ≠ not interchangeable; ← new for old; → old for new

REF.No	Part No.	Description	Q'ty	S.No.	I/C	REMARKS	Weight (kgf)	Weight (lb)
010	68817-66510	BOOM	1	≤11144			0	0
010	68817-66513	BOOM	1	≥11145	←		115	253
015	90585-11990	PLUG	2	≥11145			0.003	0.0066
020	68817-66540	PIN	1				2.98	6.556
030	06611-15010	NIPPLE GREASE	1				0.01	0.022
040	69201-71240	PLATE KEY	1				0.05	0.11
050	01133-61020	BOLT	2				0.02	0.044
060	68811-67530	PIN	1				2.2	4.84
070	06611-15010	NIPPLE GREASE	1				0.01	0.022
080	01173-61295	BOLT	1				0.085	0.187
090	02174-60120	NUT	2				0.01	0.022
100	68817-67620	PIN	1				2.63	5.786
110	68741-67560	PIN	1				1.45	3.19
120	01173-61295	BOLT	2				0.085	0.187
130	02174-60120	NUT	4				0.01	0.022



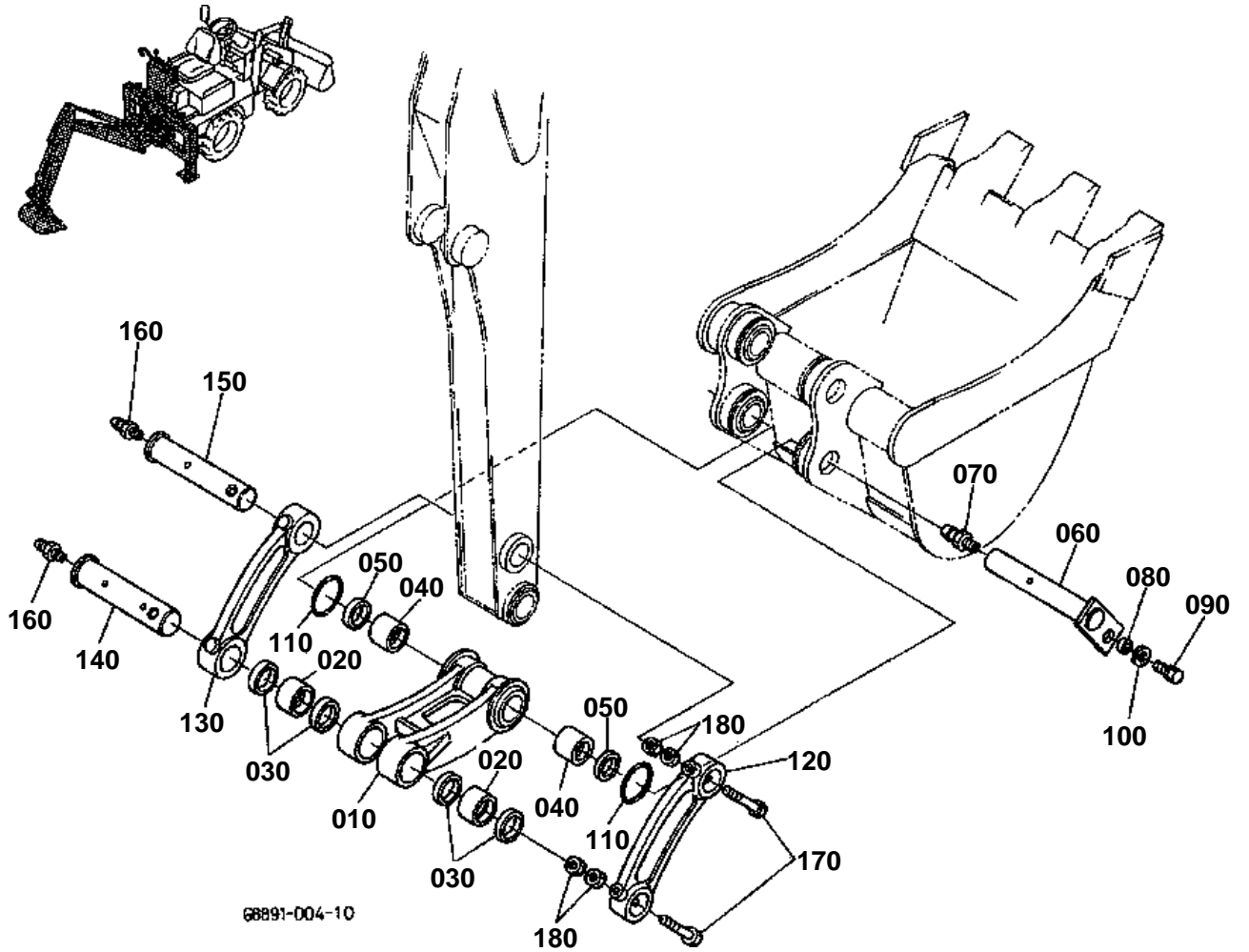


## ARM

↔ Interchangeable; ≠ not interchangeable; ← new for old; → old for new

REF.No	Part No.	Description	Q'ty	S.No.	I/C	REMARKS	Weight (kgf)	Weight (lb)
010	68817-66602	ASSY ARM	1				74	162.8
020	99999-99999	BLANK	0				0	0
030	68741-66625	BUSH	2				0.23	0.506
040	68741-66630	BUSH	4				0.15	0.33
050	68741-66650	SEAL DUST	4				0.005	0.011
060	68817-66620	PIN	1				2.42	5.324
070	06611-15010	NIPPLE GREASE	1				0.01	0.022
080	68131-67760	STOPPER	1				0.26	0.572
090	01073-61014	BOLT	1				0.02	0.044
100	04512-60100	WASHER SPRING	1				0.002	0.0044
110	68741-67560	PIN	1				1.45	3.19
120	01173-61295	BOLT	1				0.085	0.187
130	02174-60120	NUT	2				0.01	0.022
140	68131-67720	SHIM	1			1.0mm	0.024	0.0528
140	68131-67730	SHIM	1			1.6mm	0.036	0.0792

# BUCKET LINK

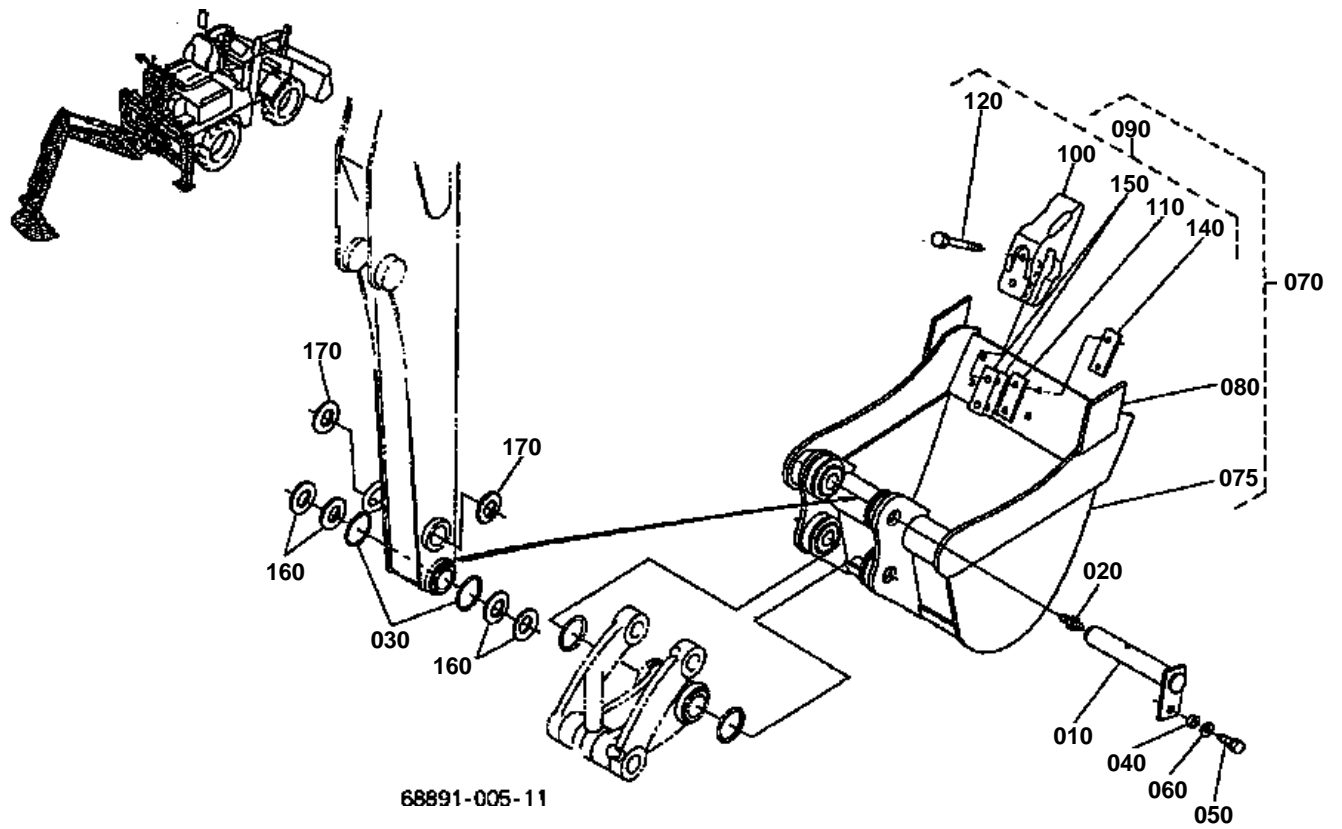


**BUCKET LINK**

↔ Interchangeable; ≠ not interchangeable; ← new for old; → old for new

REF.No	Part No.	Description	Q'ty	S.No.	I/C	REMARKS	Weight (kgf)	Weight (lb)
010	68741-66710	LINK BUCKET	1				6.4	14.08
020	68741-66770	BUSH	2				0.17	0.374
030	68741-66780	SEAL DUST	4				0.01	0.022
040	68741-66630	BUSH	2				0.15	0.33
050	68741-66650	SEAL DUST	2				0.005	0.011
060	68741-66910	PIN	1				1.91	4.202
070	06611-15010	NIPPLE GREASE	1				0.01	0.022
080	68741-66920	SPACER	1				0.01	0.022
090	01133-61225	BOLT	1				0.037	0.0814
100	04015-60120	WASHER PLAIN	1				0.022	0.0484
110	68741-66850	O RING	2				0.02	0.044
120	68741-66720	LINK BUCKET	1				2.97	6.534
130	68741-66730	LINK BUCKET	1				3.08	6.776
140	RP401-66740	PIN	1				1.91	4.202
150	68741-66750	PIN	1				1.5	3.3
160	06611-15010	NIPPLE GREASE	2				0.01	0.022
170	01173-61200	BOLT	2				0.09	0.198
180	02174-60120	NUT	4				0.01	0.022

# BUCKET



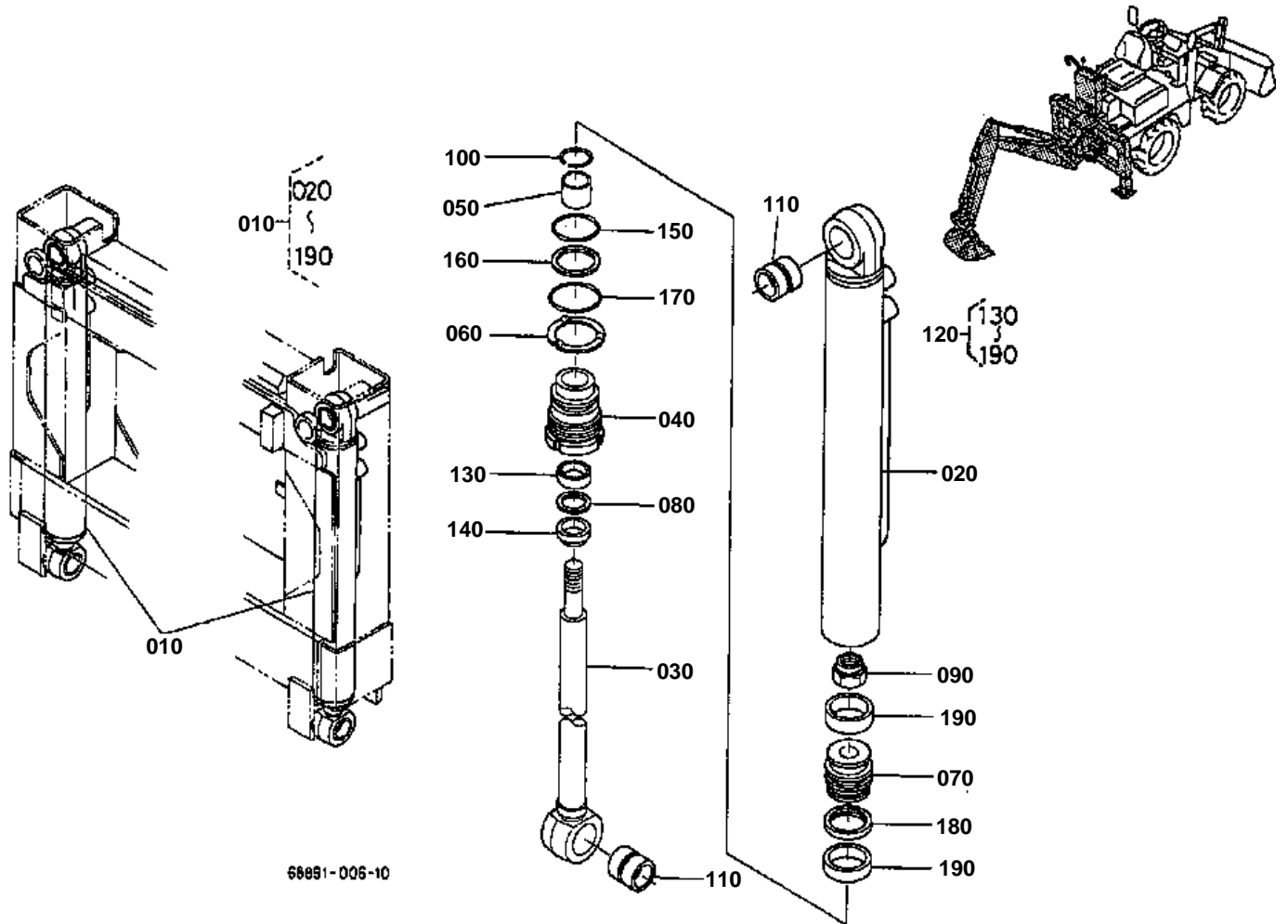


**BUCKET**

↔ Interchangeable; ≠ not interchangeable; ← new for old; → old for new

REF.No	Part No.	Description	Q'ty	S.No.	I/C	REMARKS	Weight (kgf)	Weight (lb)
010	68741-66910	PIN	1				1.91	4.202
020	06611-15010	NIPPLE GREASE	1				0.01	0.022
030	68741-66850	O RING	2				0.02	0.044
040	68741-66920	SPACER	1				0.01	0.022
050	01133-61225	BOLT	1				0.037	0.0814
060	04015-60120	WASHER PLAIN	1				0.022	0.0484
070	68741-66802	ASSY BUCKET	1				55	121
075	R2401-66310	BUCKET	1				51	112.2
080	68741-66980	CUTTER SIDE	2				1.08	2.376
090	RC108-66100	ASSY TEETH	3				0	0
100	RC101-66950	TEETH	3				1.9	4.18
110	68131-66930	SHIM	3			1.0mm	0.03	0.066
120	01138-51448	BOLT	6				0.078	0.1716
130	99999-99999	BLANK	0				0	0
140	68131-66920	NUT	3				0.14	0.308
150	69201-71390	SHIM	6			0.5mm	0.012	0.0264
160	68741-66860	SHIM	2			1.0mm	0.02	0.044
160	68741-66870	SHIM	2			1.6mm	0.02	0.044
170	68741-66880	SHIM	2			1.0mm	0.03	0.066
170	68741-66890	SHIM	2			1.6mm	0.04	0.088

OUT LIGGER CYLINDER



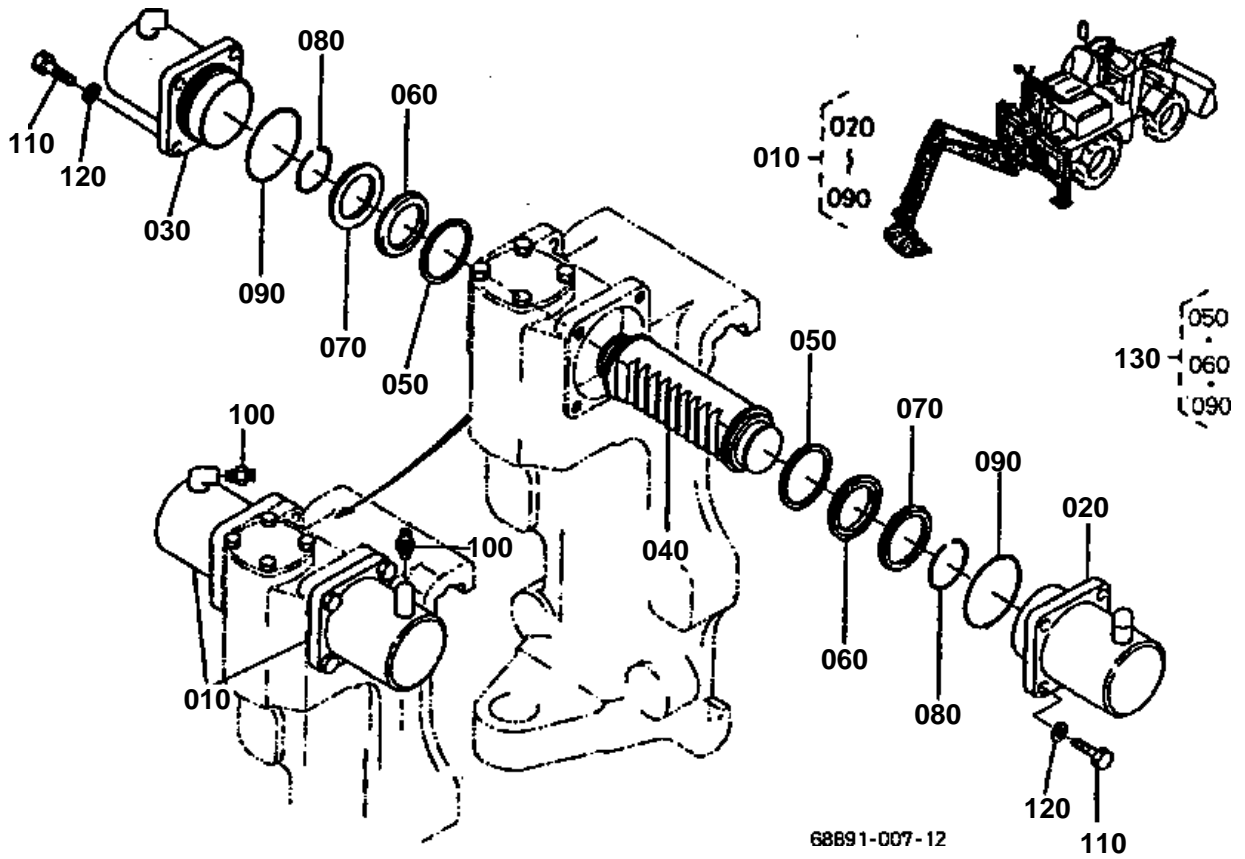


## OUT LIGGER CYLINDER

↔ Interchangeable; ≠ not interchangeable; ← new for old; → old for new

REF.No	Part No.	Description	Q'ty	S.No.	I/C	REMARKS	Weight (kgf)	Weight (lb)
010	68869-67210	CYLINDER OUT RIGGER	2				11.7	25.74
020	68869-93510	ASSY TUBE CYLINDER	2				6.5	14.3
030	68869-93520	ASSY PISTON ROD	2				4	8.8
040	68841-93230	CYLINDER HEAD	2				0.53	1.166
050	68841-93240	BUSH	2				0.03	0.066
060	68811-93320	WASHER LOCK	2				0.002	0.0044
070	68811-93450	PISTON	2				0.4	0.88
080	68817-93320	SHIM SET	2				0.007	0.0154
090	68817-93310	NUT	2				0.04	0.088
100	68817-93330	SPLIT PIN 2X20	2				0.005	0.011
110	68811-93310	BUSH PIN	4				0.132	0.2904
120	68869-93500	KIT SEAL OUT RIGGER	2				0.06	0.132
130	68501-71540	U-RING	2				0.002	0.0044
140	68511-71440	RING WIPER	2				0.01	0.022
150	68811-93350	O RING	2				0.002	0.0044
160	68501-71560	RING BACK UP	2				0.002	0.0044
170	68841-93170	O RING	2				0.002	0.0044
180	68811-93380	ASSY RING SEAL	2				0.01	0.022
190	68811-93390	RING SLIDE	4				0.015	0.033

SWING CYLINDER



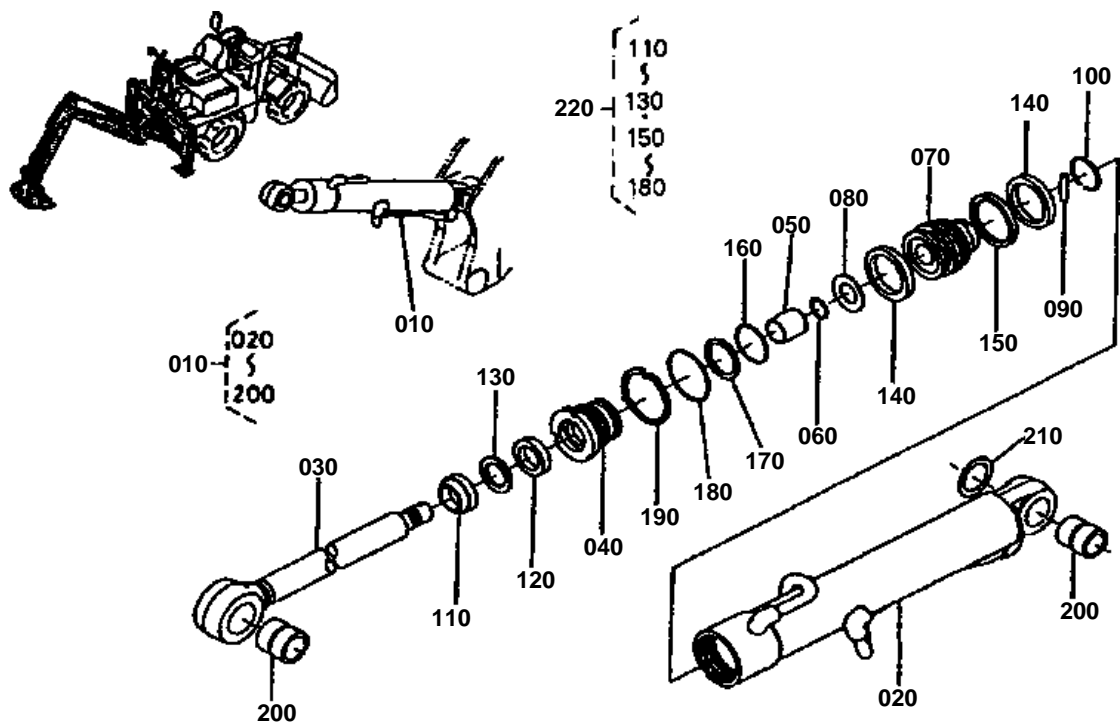


# SWING CYLINDER

↔ Interchangeable; ≠ not interchangeable; ← new for old; → old for new

REF.No	Part No.	Description	Q'ty	S.No.	I/C	REMARKS	Weight (kgf)	Weight (lb)
010	68811-67410	CYLINDER SWING G	1				31	68.2
020	68811-93210	ASSY TUBE CYLINDER	1				7.73	17.006
030	68811-93220	ASSY TUBE CYLINDER	1				7.75	17.05
040	68811-93230	ROD PISTON	1				14.4	31.68
050	68221-92260	PISTON RING	2				0.1	0.22
060	69201-91170	ASSY U-RING	2				0.04	0.088
070	68221-92290	HOLDER U-RING	2				0.135	0.297
080	68331-67260	STOPPER	2				0.007	0.0154
090	04810-51150	O RING	2				0.003	0.0066
100	68551-28820	BODY	2				0	0
110	01173-61845	BOLT	8				0.123	0.2706
120	04512-60180	WASHER SPRING	8				0.02	0.044
130	68811-93040	ASSY SEAL SWING CYL.	1			OPTION	0.28	0.616

# BOOM CYLINDER



68891-008-12

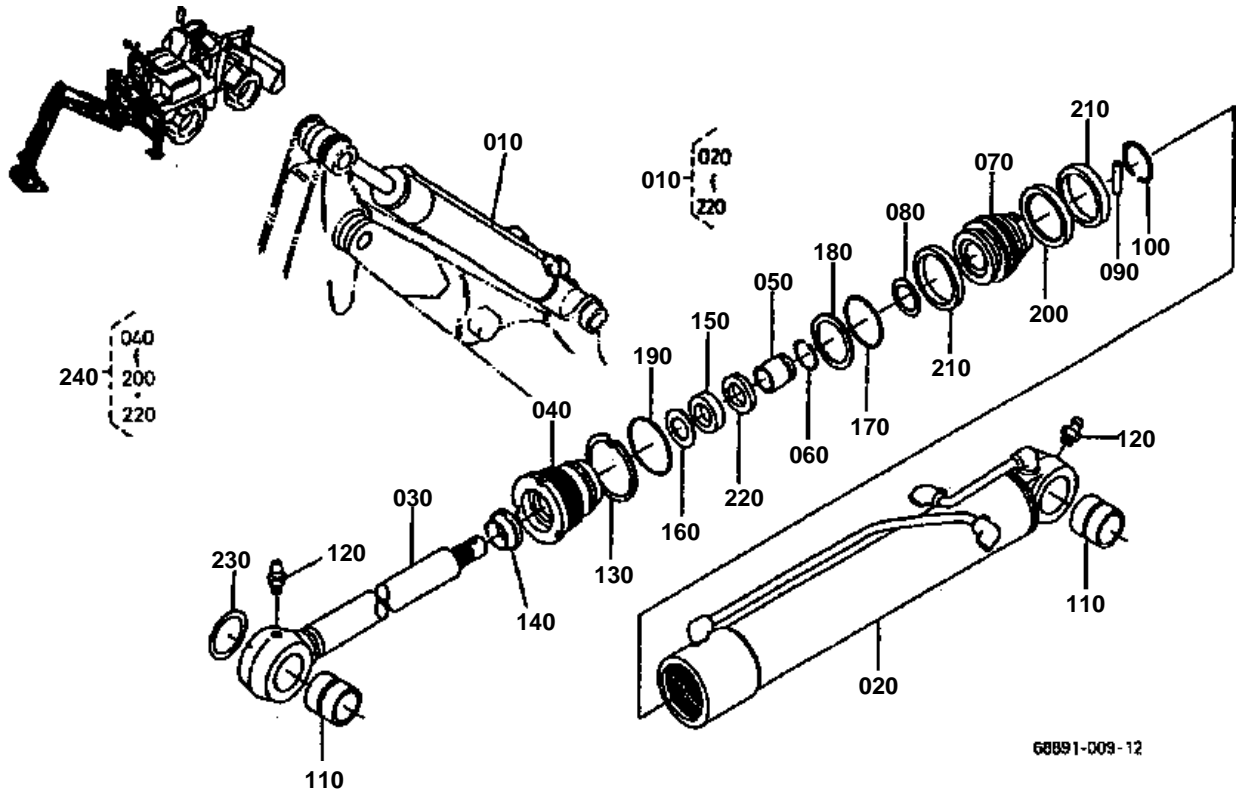


## BOOM CYLINDER

↔ Interchangeable; ≠ not interchangeable; ← new for old; → old for new

REF.No	Part No.	Description	Q'ty	S.No.	I/C	REMARKS	Weight (kgf)	Weight (lb)
010	68879-67510	CYLINDER BOOM	1				22.98	50.556
020	68817-93140	ASSY TUBE CYLINDER	1				10.7	23.54
030	68811-93150	ASSY PISTON ROD	1				8.7	19.14
040	68773-71130	CYLINDER HEAD	1				2.3	5.06
050	68021-71180	BUSH	1				0.065	0.143
060	68741-71470	RING SNAP	1				0.003	0.0066
070	68741-72510	PISTON	1				1.64	3.608
080	68741-71160	SHIM SET	1				0.01	0.022
090	68741-71350	PIN	1				0	0
100	68741-71360	RING SNAP	1				0.004	0.0088
110	68811-93130	RING WIPER	1				0.02	0.044
120	68741-71220	U-RING	1				0.01	0.022
130	68741-71230	RING BACK UP	1				0.03	0.066
140	68741-71450	RING SLIDE	2				0.03	0.066
150	68741-71440	ASSY RING SEAL	1				0.03	0.066
160	68021-71160	O RING	1				0.009	0.0198
170	68741-71430	RING BACK UP	1				0.003	0.0066
180	68741-71410	O RING	1				0.004	0.0088
190	68741-71380	WASHER LOCK	1				0.026	0.0572
200	68351-67660	BUSH PIN	2				0.262	0.5764
210	68131-67720	SHIM	1			1.0mm	0.024	0.0528
210	68131-67730	SHIM	1			1.6mm	0.036	0.0792
220	68811-93020	ASSY SEAL BOOM CYL.	1			OPTION	0.062	0.1364

ARM CYLINDER



68891-009-12

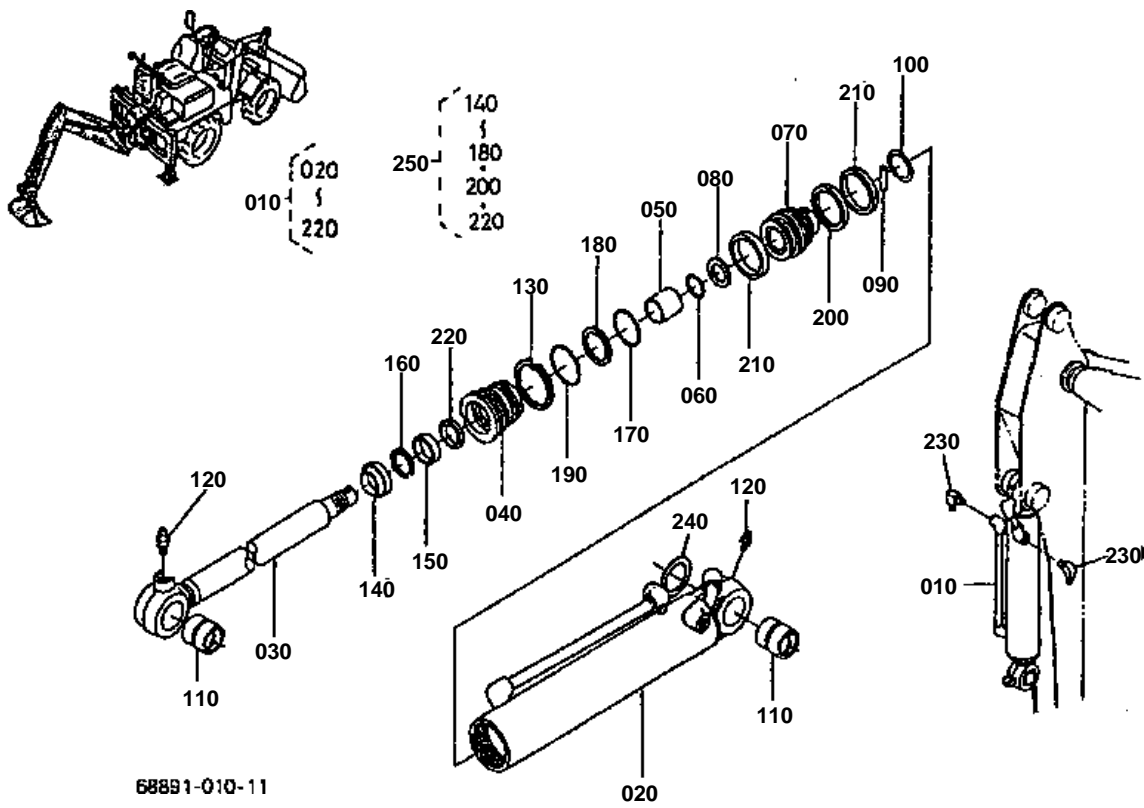


**ARM CYLINDER**

↔ Interchangeable; ≠ not interchangeable; ← new for old; → old for new

REF.No	Part No.	Description	Q'ty	S.No.	I/C	REMARKS	Weight (kgf)	Weight (lb)
010	68879-67610	CYLINDER ARM	1				21.07	46.354
020	68811-93110	ASSY TUBE CYLINDER	1				10.7	23.54
030	68811-93120	ASSY PISTON ROD	1				7.6	16.72
040	68751-71530	CYLINDER HEAD	1				1.64	3.608
050	68021-71180	BUSH	1				0.065	0.143
060	68741-71470	RING SNAP	1				0.003	0.0066
070	68773-71750	PISTON	1				1.3	2.86
080	68741-71160	SHIM SET	1				0.01	0.022
090	68741-71770	PIN	1				0.005	0.011
100	68741-71780	RING SNAP	1				0.004	0.0088
110	68351-67660	BUSH PIN	2				0.262	0.5764
120	06611-15010	NIPPLE GREASE	2				0.01	0.022
130	68021-71150	WASHER LOCK	1				0.02	0.044
140	68811-93130	RING WIPER	1				0.02	0.044
150	68741-71220	U-RING	1				0.01	0.022
160	68741-71230	RING BACK UP	1				0.03	0.066
170	04810-00650	O RING	1				0.008	0.0176
180	68741-71830	RING BACK UP	1				0.002	0.0044
190	04810-50750	O RING	1				0.003	0.0066
200	68741-71840	ASSY RING SEAL	1				0.01	0.022
210	68741-71850	RING SLIDE	2				0.02	0.044
220	68741-71240	RING BAFA	1				0.01	0.022
230	68131-67720	SHIM	1			1.0mm	0.024	0.0528
230	68131-67730	SHIM	1			1.6mm	0.036	0.0792
240	68811-93010	ASSY SEAL ARM CYL.	1			OPTION	0.07	0.154

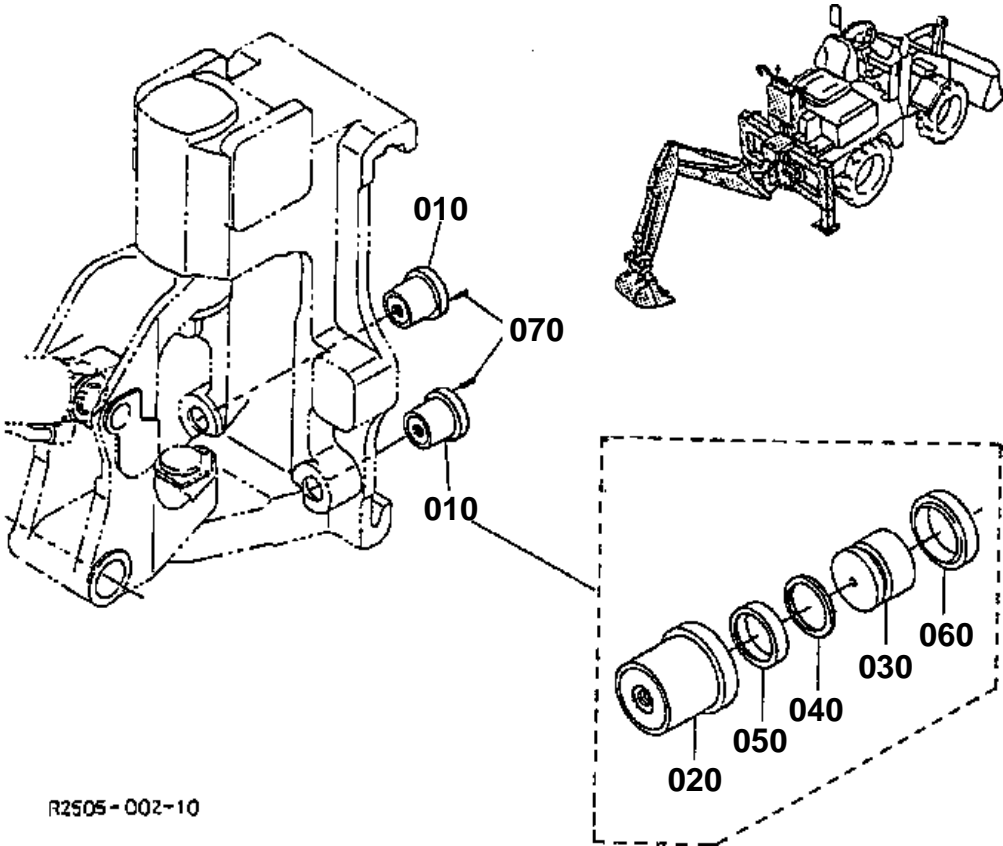
# BUCKET CYLINDER



**BUCKET CYLINDER**

↔ Interchangeable; ≠ not interchangeable; ← new for old; → old for new

REF.No	Part No.	Description	Q'ty	S.No.	I/C	REMARKS	Weight (kgf)	Weight (lb)
010	68879-67810	CYLINDER BUCKET	1				20.2	44.44
020	68817-93170	ASSY TUBE CYLINDER	1				10.9	23.98
030	68811-93180	ASSY PISTON ROD	1				6.4	14.08
040	68741-71130	CYLINDER HEAD	1				1.33	2.926
050	68021-71180	BUSH	1				0.065	0.143
060	68741-71470	RING SNAP	1				0.003	0.0066
070	68731-72610	PISTON	1				1.24	2.728
080	68741-71540	SHIM SET	1				0.007	0.0154
090	68741-71170	PIN	1				0.003	0.0066
100	68741-71180	RING SNAP	1				0.003	0.0066
110	68351-67660	BUSH PIN	2				0.262	0.5764
120	06611-15010	NIPPLE GREASE	2				0.01	0.022
130	68741-71190	WASHER LOCK	1				0.014	0.0308
140	68811-93130	RING WIPER	1				0.02	0.044
150	68741-71220	U-RING	1				0.01	0.022
160	68741-71230	RING BACK UP	1				0.03	0.066
170	68021-71460	O RING	1				0.008	0.0176
180	68741-71250	RING BACK UP	1				0.003	0.0066
190	04810-50700	O RING	1				0.002	0.0044
200	68741-71270	ASSY RING SEAL	1				0.01	0.022
210	68741-71280	RING SLIDE	2				0.03	0.066
220	68741-71240	RING BAFA	1				0.01	0.022
230	68021-62440	ELBOW	2				0	0
240	68131-67720	SHIM	1			1.0mm	0.024	0.0528
240	68131-67730	SHIM	1			1.6mm	0.036	0.0792
250	68811-93030	ASSY SEAL CYLINDER	1			OPTION	0.068	0.1496



R2505-002-10

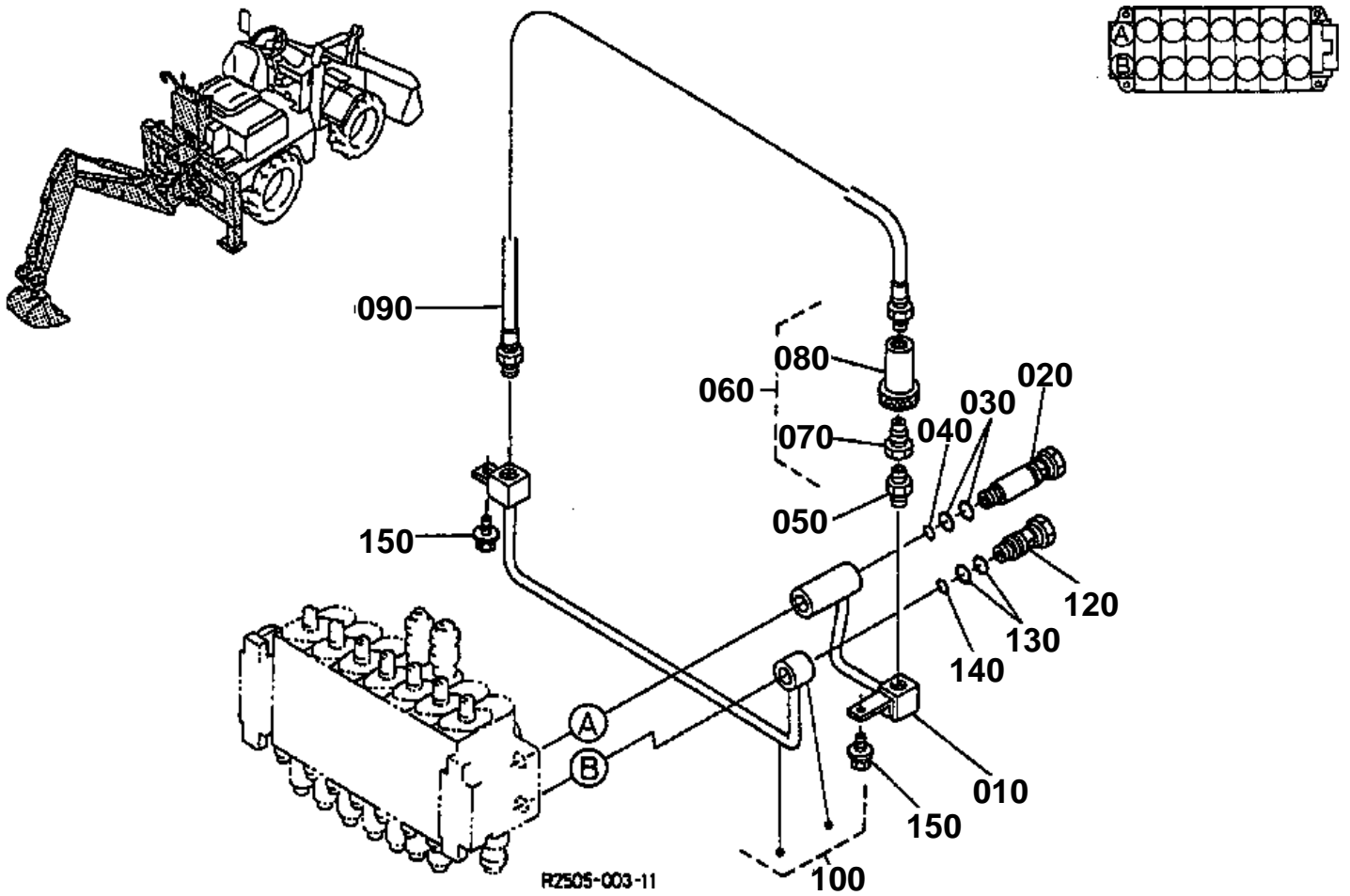


# SLIDE LICK CYLINDER

↔ Interchangeable; ≠ not interchangeable; ← new for old; → old for new

REF.No	Part No.	Description	Q'ty	S.No.	I/C	REMARKS	Weight (kgf)	Weight (lb)
010	68817-67310	CYLINDER LOCK	2	<=11187			0	0
010	68817-67313	CYLINDER LOCK	2	>=11188	←		1.4	3.08
020	68817-94740	COMP.TUBE CYLINDER	2				0.7	1.54
030	68811-94750	ROD PISTON	2				0.67	1.474
040	68811-94760	RING BACK UP	2				0.005	0.011
050	68811-94770	GASKET	2				0.01	0.022
060	68817-94780	SCRAPER	2				0.02	0.044
070	05411-00420	PIN SPRING	2				0.001	0.0022

OIL PIPING QUICK COUPLER



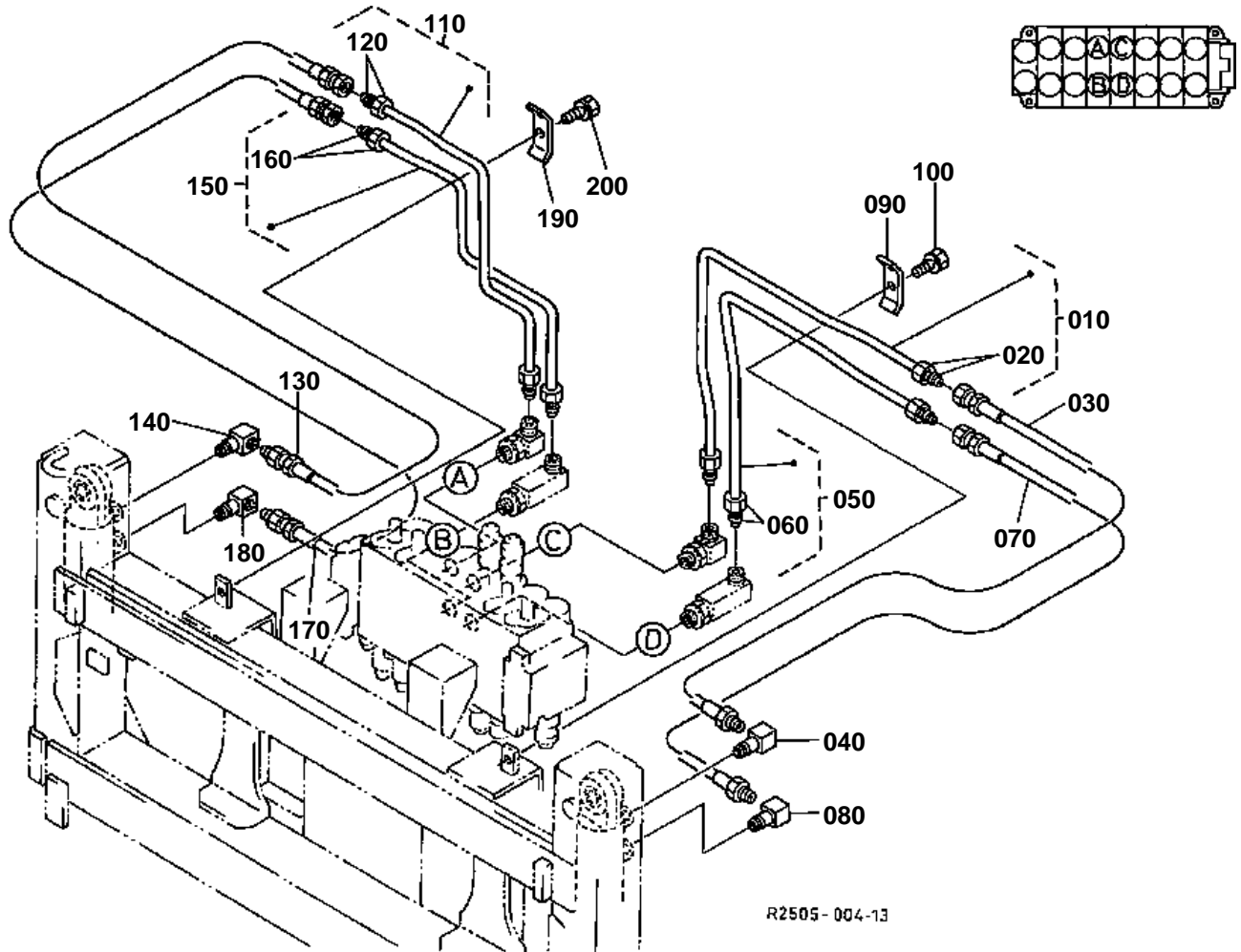


# OIL PIPING QUICK COUPLER

↔ Interchangeable; ≠ not interchangeable; ← new for old; → old for new

REF.No	Part No.	Description	Q'ty	S.No.	I/C	REMARKS	Weight (kgf)	Weight (lb)
010	R2401-68110	PIPE	1				0.878	1.9316
020	68811-68130	BOLT JOINT	1				0.3	0.66
030	04810-00220	O RING	2				0	0
040	04810-00180	O RING	1				0	0
050	68811-68230	ADAPTER	1	≤10235			0	0
050	68811-68232	ADAPTER	1	≥10236	←		0	0
060	68817-68100	ASSY COPLER	1				0.46	1.012
070	70765-62870	COUPLER MALE	1				0.08	0.176
080	68817-68120	COUPLER FEMALE	1				0.39	0.858
090	R2401-68120	HOSE	1	≤10441			0	0
090	R2401-68122	HOSE	1	≥10442	←		0.76	1.672
100	R2401-68210	PIPE T	1				0.826	1.8172
110	99999-99999	BLANK	0				0	0
120	68051-63660	BOLT	1				0.145	0.319
130	04810-00220	O RING	2				0	0
140	04810-00180	O RING	1				0	0
150	01135-61025	BOLT	2				0.04	0.088

OIL PIPING OUT LIGGER



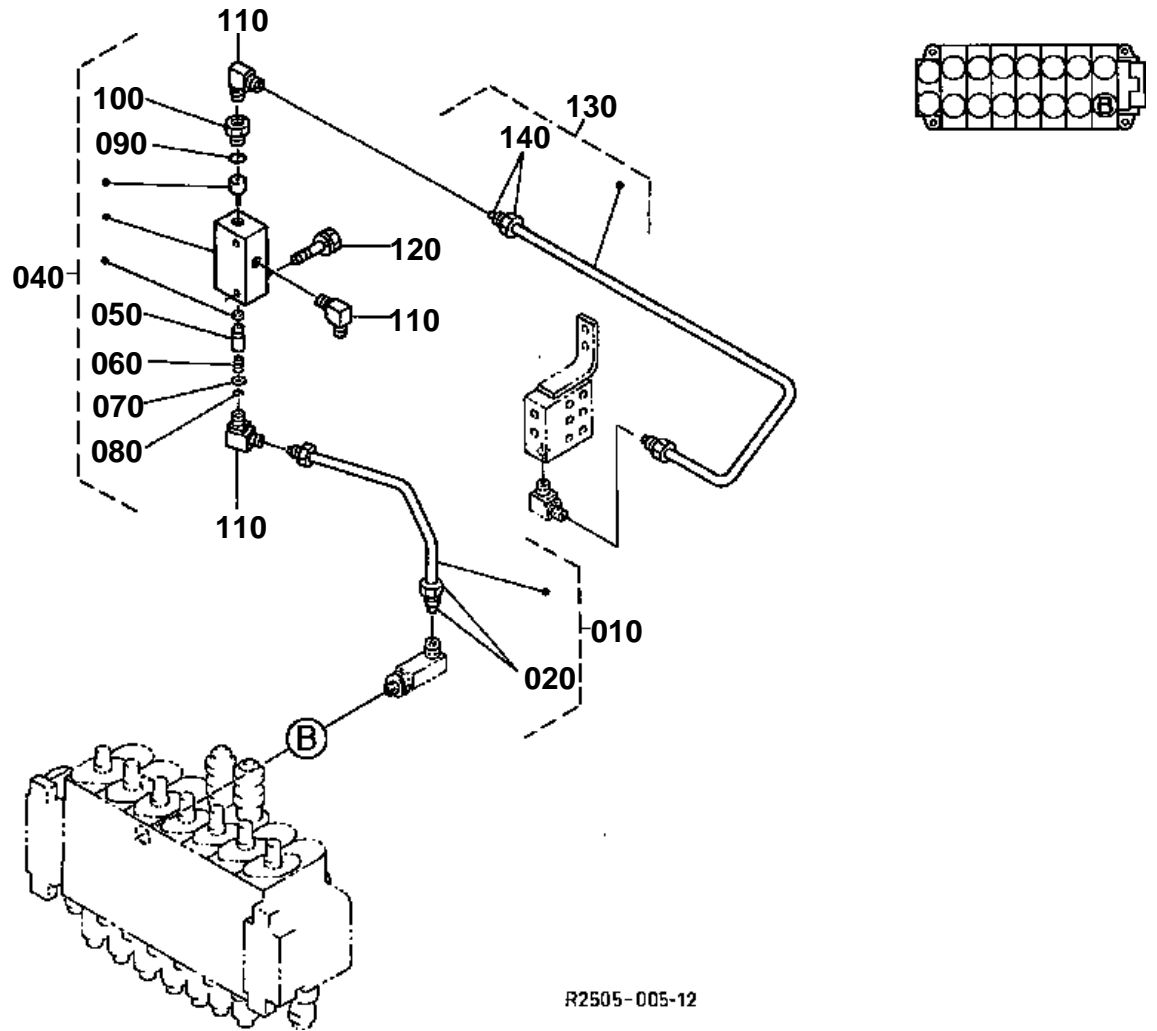


**OIL PIPING OUT LIGGER**

↔ Interchangeable; ≠ not interchangeable; ← new for old; → old for new

REF.No	Part No.	Description	Q'ty	S.No.	I/C	REMARKS	Weight (kgf)	Weight (lb)
010	R2401-68310	PIPE RLH	1	≤11120			0.41	0.902
010	R2401-68313	PIPE RLH	1	≥11121	≠		0.41	0.902
020	06020-31202	JOINT PIPE	2	≤11120			0.025	0.055
020	06020-31203	JOINT PIPE	2	≥11121	≠	NOT SALE	0.025	0.055
030	68849-68362	HOSE	1				0.165	0.363
040	68849-68390	ELBOW	1				0.11	0.242
050	R2401-68320	PIPE RLL	1	≤11120			0.5	1.1
050	R2401-68323	PIPE RLL	1	≥11121	≠		0.5	1.1
060	06020-31202	JOINT PIPE	2	≤11120			0.025	0.055
060	06020-31203	JOINT PIPE	2	≥11121	≠		0.025	0.055
070	68849-68362	HOSE	1				0.165	0.363
080	68849-68390	ELBOW	1				0.11	0.242
090	68811-68350	CLAMP PIPE	1				0.05	0.11
100	01123-60825	BOLT	1				0.012	0.0264
110	R2401-68330	PIPE RRH	1	≤11120			0.39	0.858
110	R2401-68333	PIPE RRH	1	≥11121	≠		0.39	0.858
120	06020-31202	JOINT PIPE	2	≤11120			0.025	0.055
120	06020-31203	JOINT PIPE	2	≥11121	≠	NOT SALE	0.025	0.055
130	68849-68362	HOSE	1				0.165	0.363
140	68849-68390	ELBOW	1				0.11	0.242
150	R2401-68340	PIPE RRL	1	≤11120			0.36	0.792
150	R2401-68343	PIPE RRL	1	≥11121	≠		0.36	0.792
160	06020-31202	JOINT PIPE	2	≤11120			0.025	0.055
160	06020-31203	JOINT PIPE	2	≥11121	≠	NOT SALE	0.025	0.055
170	68849-68362	HOSE	1				0.165	0.363
180	68849-68390	ELBOW	1				0.11	0.242
190	68811-68350	CLAMP PIPE	1				0.05	0.11
200	01123-60825	BOLT	1				0.012	0.0264

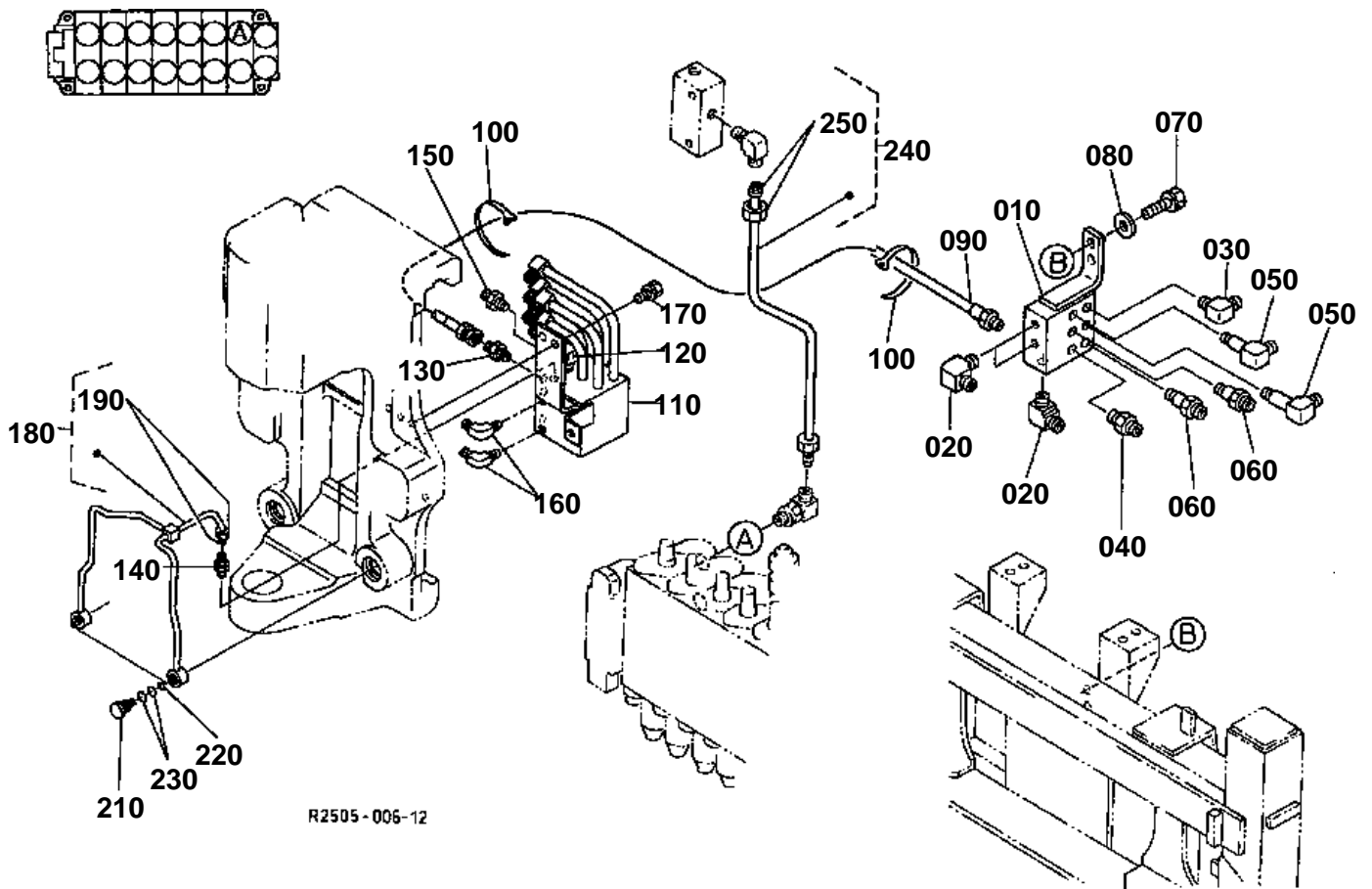
OIL PIPING SLIDE LOCK 1



**OIL PIPING SLIDE LOCK 1**

↔ Interchangeable; ≠ not interchangeable; ← new for old; → old for new

REF.No	Part No.	Description	Q'ty	S.No.	I/C	REMARKS	Weight (kgf)	Weight (lb)
010	R2401-68420	PIPE L-L	1	<=11120			0.2	0.44
010	R2401-68423	PIPE L-L	1	>=11121	≠		0.2	0.44
020	06020-31202	JOINT PIPE	2	<=11120			0.025	0.055
020	06020-31203	JOINT PIPE	2	>=11121	≠	NOT SALE	0.025	0.055
030	99999-99999	BLANK	0				0	0
040	68811-68410	VALVE OPERATE CHECK	1				1.26	2.772
050	68811-94190	VALVE	1				0.002	0.0044
060	68811-94210	SPRING	1				0.001	0.0022
070	68811-94220	SEAT SPRING	1				0.001	0.0022
080	68811-94230	STOP RING	1				0.001	0.0022
090	68811-94240	O RING	1				0.002	0.0044
100	68811-94250	CAP	1				0.07	0.154
110	68131-63170	ELBOW BODY	3				0	0
110	06014-51233	JOINT	2		↔		0.07	0.154
120	01123-60850	BOLT	2				0.03	0.066
130	R2401-68430	PIPE L-M	1	<=11120			0.4	0.88
130	R2401-68433	PIPE L-M	1	>=11121	≠		0.4	0.88
140	06020-31202	JOINT PIPE	2	<=11120			0.025	0.055
140	06020-31203	JOINT PIPE	2	>=11121	≠	NOT SALE	0.025	0.055



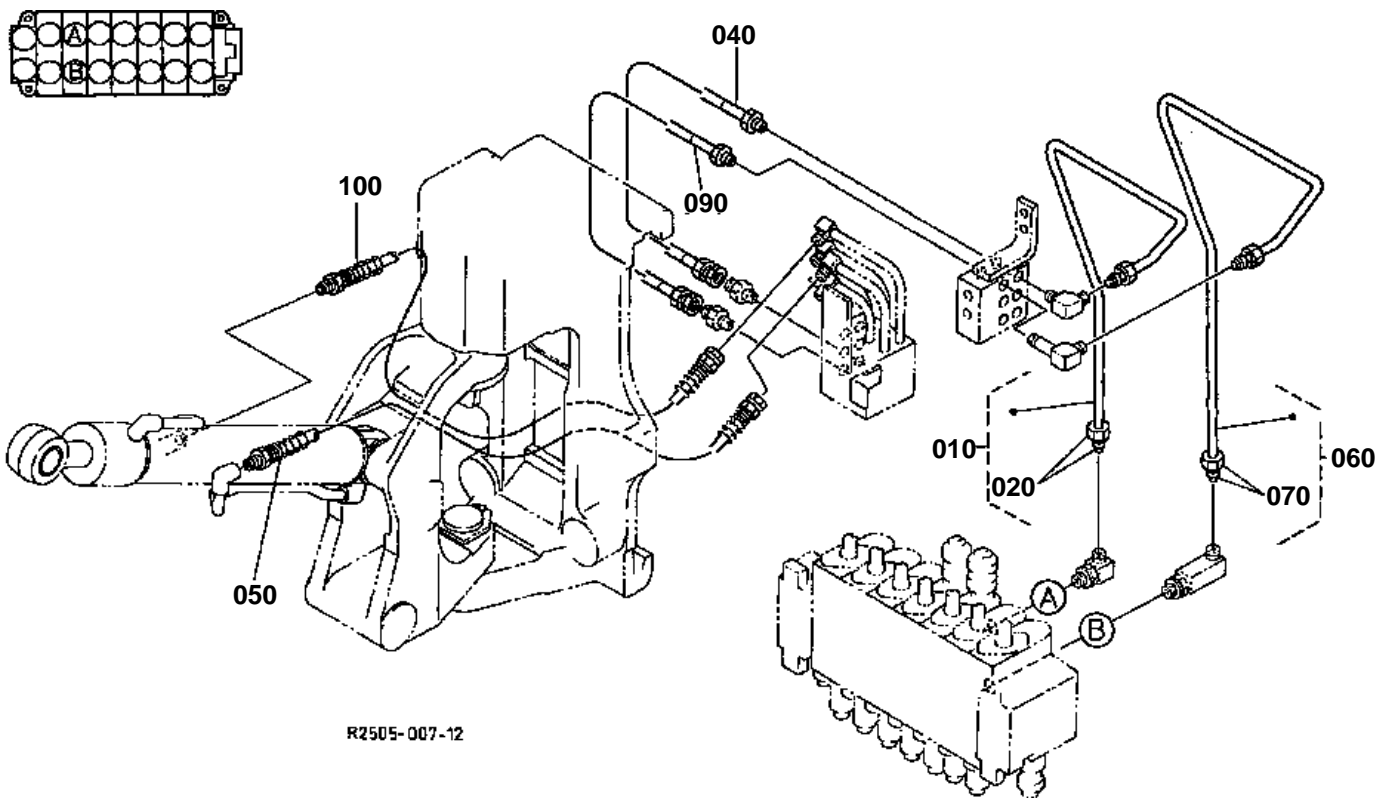


OIL PIPING SLIDE LOCK 2

↔ Interchangeable; ≠ not interchangeable; ← new for old; → old for new

REF.No	Part No.	Description	Q'ty	S.No.	I/C	REMARKS	Weight (kgf)	Weight (lb)
010	R2401-68440	JOINT PIPE	1				2.623	5.7706
020	68111-64930	BODY	3				0	0
030	68131-63170	ELBOW BODY	1				0	0
040	68741-68410	BODY	1				0	0
040	06011-71231	JOINT PIPE	1		↔		0.04	0.088
050	68811-73210	BODY	2				0.125	0.275
060	R2401-68490	JOINT PIPE	2				0.058	0.1276
070	01133-61025	BOLT	2				0.02	0.044
080	04015-60100	WASHER PLAIN	2				0.015	0.033
090	68817-68450	HOSE	1				0.23	0.506
100	68811-68570	CLAMP HOSE	2				0.09	0.198
110	68817-68470	BLOCK PIPING	1				6.33	13.926
120	68021-62440	ELBOW	1				0	0
120	06114-53031	JOINT PIPE	1		↔		0.085	0.187
130	68221-68770	ADAPTER	3				0	0
130	06111-52021	JOINT PIPE	3		↔		0.035	0.077
140	68551-28820	BODY	1				0	0
150	68131-61730	ADAPTER	6				0	0
150	06111-53031	JOINT PIPE	6		↔		0.05	0.11
160	68331-62680	BODY	2				0.05	0.11
170	01133-61020	BOLT	3				0.02	0.044
180	68817-68910	PIPE HYDRAULIC	1	≤11120			0.3	0.66
180	68817-68915	PIPE L-H	1	≥11121	≠		0.3	0.66
190	06020-30802	JOINT PIPE	1	≤11120		NOT SALE	0.051	0.1122
190	06020-30803	JOINT PIPE	1	≥11121	≠	NOT SALE	0.015	0.033
200	99999-99999	BLANK	0				0	0
210	68817-68930	BOLT JOINT	2				0.04	0.088
220	04817-00110	O RING	2				0.001	0.0022
230	04811-10160	O RING	4				0.001	0.0022
240	R2401-68460	PIPE L-H	1	≤11120			0.15	0.33
240	R2401-68463	PIPE L-H	1	≥11121	≠		0.15	0.33
250	06020-31202	JOINT PIPE	2	≤11120			0.025	0.055
250	06020-31203	JOINT PIPE	2	≥11121	≠		0.025	0.055

# OIL PIPING ARM

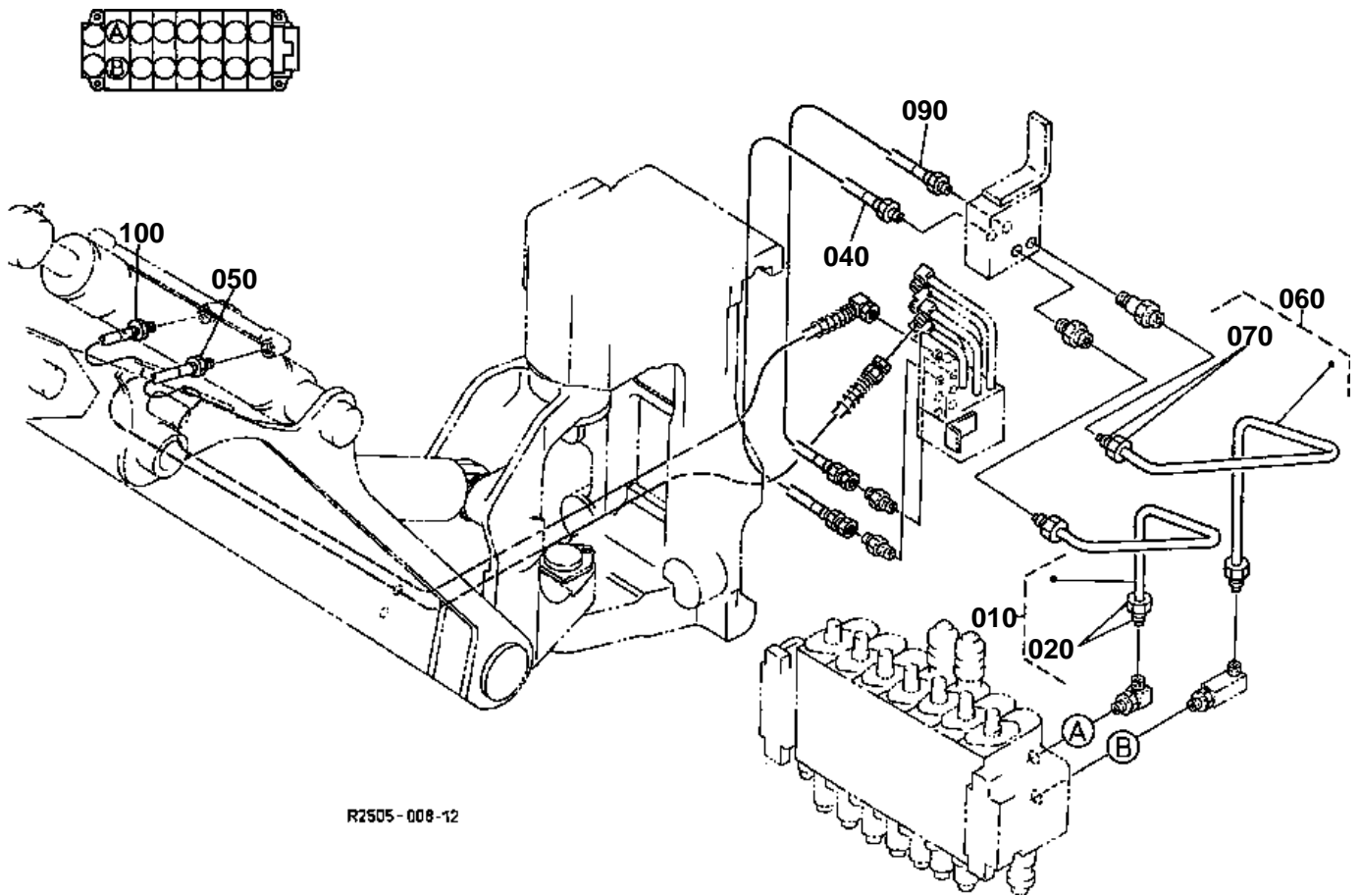




OIL PIPING ARM

↔ Interchangeable; ≠ not interchangeable; ← new for old; → old for new

REF.No	Part No.	Description	Q'ty	S.No.	I/C	REMARKS	Weight (kgf)	Weight (lb)
010	R2401-68940	PIPE B-H	1	≤11120			0.2	0.44
010	R2401-68943	PIPE B-H	1	≥11121	≠		0.2	0.44
020	06020-31202	JOINT PIPE	2	≤11120			0.025	0.055
020	06020-31203	JOINT PIPE	2	≥11121	≠	NOT SALE	0.025	0.055
030	99999-99999	BLANK	0				0	0
040	68817-68540	HOSE	1				0.37	0.814
050	68817-68550	HOSE	1				1.05	2.31
060	R2401-68950	PIPE B-L	1	≤11120			0.2	0.44
060	R2401-68953	PIPE B-L	1	≥11121	≠		0.2	0.44
070	06020-31202	JOINT PIPE	2	≤11120			0.025	0.055
070	06020-31203	JOINT PIPE	2	≥11121	≠	NOT SALE	0.025	0.055
080	99999-99999	BLANK	0				0	0
090	68817-68540	HOSE	1				0.37	0.814
100	68817-68560	HOSE	1				1	2.2



R2505-008-12

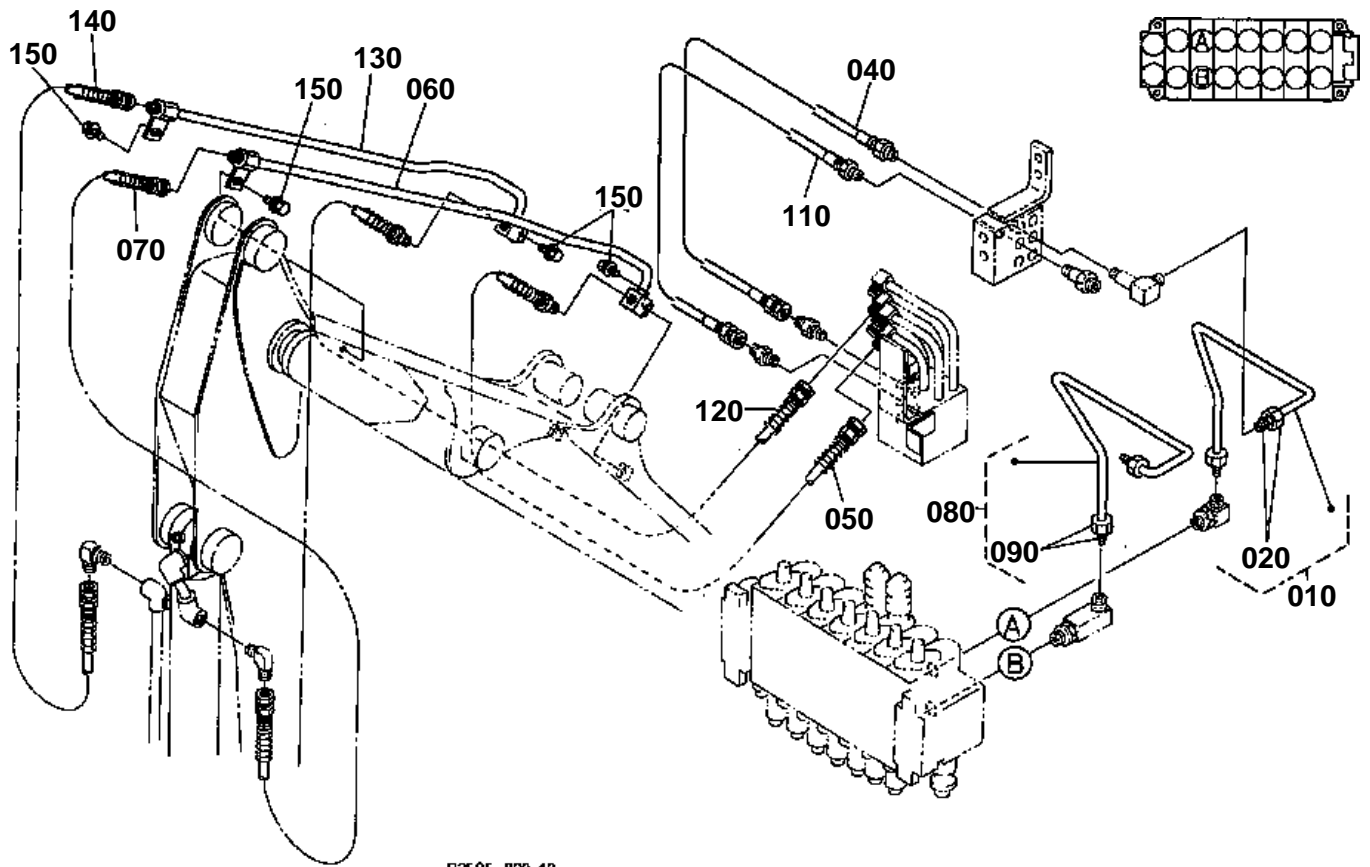


**OIL PIPING BOOM**

↔ Interchangeable; ≠ not interchangeable; ← new for old; → old for new

REF.No	Part No.	Description	Q'ty	S.No.	I/C	REMARKS	Weight (kgf)	Weight (lb)
010	R2401-68960	PIPE A-H	1	≤11120			0.2	0.44
010	R2401-68963	PIPE A-H	1	≥11121	≠		0.2	0.44
020	06020-31202	JOINT PIPE	2	≤11120			0.025	0.055
020	06020-31203	JOINT PIPE	2	≥11121	≠	NOT SALE	0.025	0.055
030	99999-99999	BLANK	0				0	0
040	68817-68630	HOSE	1				0.35	0.77
050	68817-68640	HOSE	1				1.62	3.564
060	R2401-68970	PIPE A-L	1	≤11120			0.2	0.44
060	R2401-68973	PIPE A-L	1	≥11121	≠		0.2	0.44
070	06020-31202	JOINT PIPE	2	≤11120			0.025	0.055
070	06020-31203	JOINT PIPE	2	≥11121	≠	NOT SALE	0.025	0.055
080	99999-99999	BLANK	0				0	0
090	68817-68630	HOSE	1				0.35	0.77
100	68817-68650	HOSE	1				1.57	3.454

OIL PIPING BUCKET

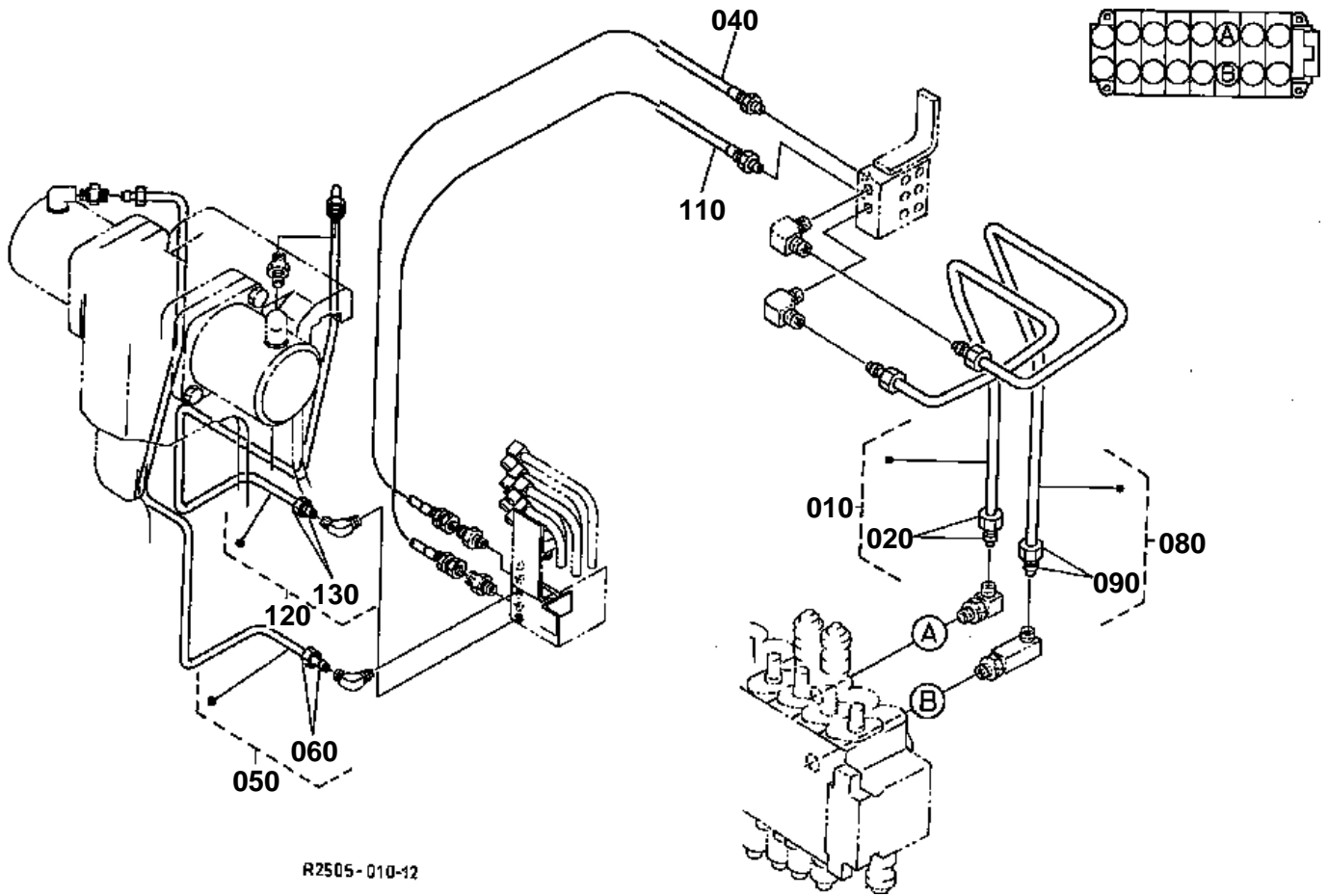


R2505-B09-12

**OIL PIPING BUCKET**

↔ Interchangeable; ≠ not interchangeable; ← new for old; → old for new

REF.No	Part No.	Description	Q'ty	S.No.	I/C	REMARKS	Weight (kgf)	Weight (lb)
010	R2401-68810	PIPE BKH	1	≤11120			0.2	0.44
010	R2401-68813	PIPE BKH	1	≥11121	≠		0.2	0.44
020	06020-31202	JOINT PIPE	2	≤11120			0.025	0.055
020	06020-31203	JOINT PIPE	2	≥11121	≠	NOT SALE	0.025	0.055
030	99999-99999	BLANK	0				0	0
040	68817-68830	HOSE	1				0.35	0.77
050	68817-68840	HOSE	1				1.42	3.124
060	68817-68850	PIPE HYDRAULIC	1				0.61	1.342
070	68817-68860	HOSE	1				0.65	1.43
080	R2401-68820	PIPE BKL	1	≤11120			0.2	0.44
080	R2401-68823	PIPE BKL	1	≥11121	≠		0.2	0.44
090	06020-31202	JOINT PIPE	2	≤11120			0.025	0.055
090	06020-31203	JOINT PIPE	2	≥11121	≠	NOT SALE	0.025	0.055
100	99999-99999	BLANK	0				0	0
110	68817-68830	HOSE	1				0.35	0.77
120	68817-68880	HOSE	1				1.47	3.234
130	68817-68870	PIPE HYDRAULIC	1				0.61	1.342
140	68817-68860	HOSE	1				0.65	1.43
150	01125-60816	BOLT	4				0.01	0.022

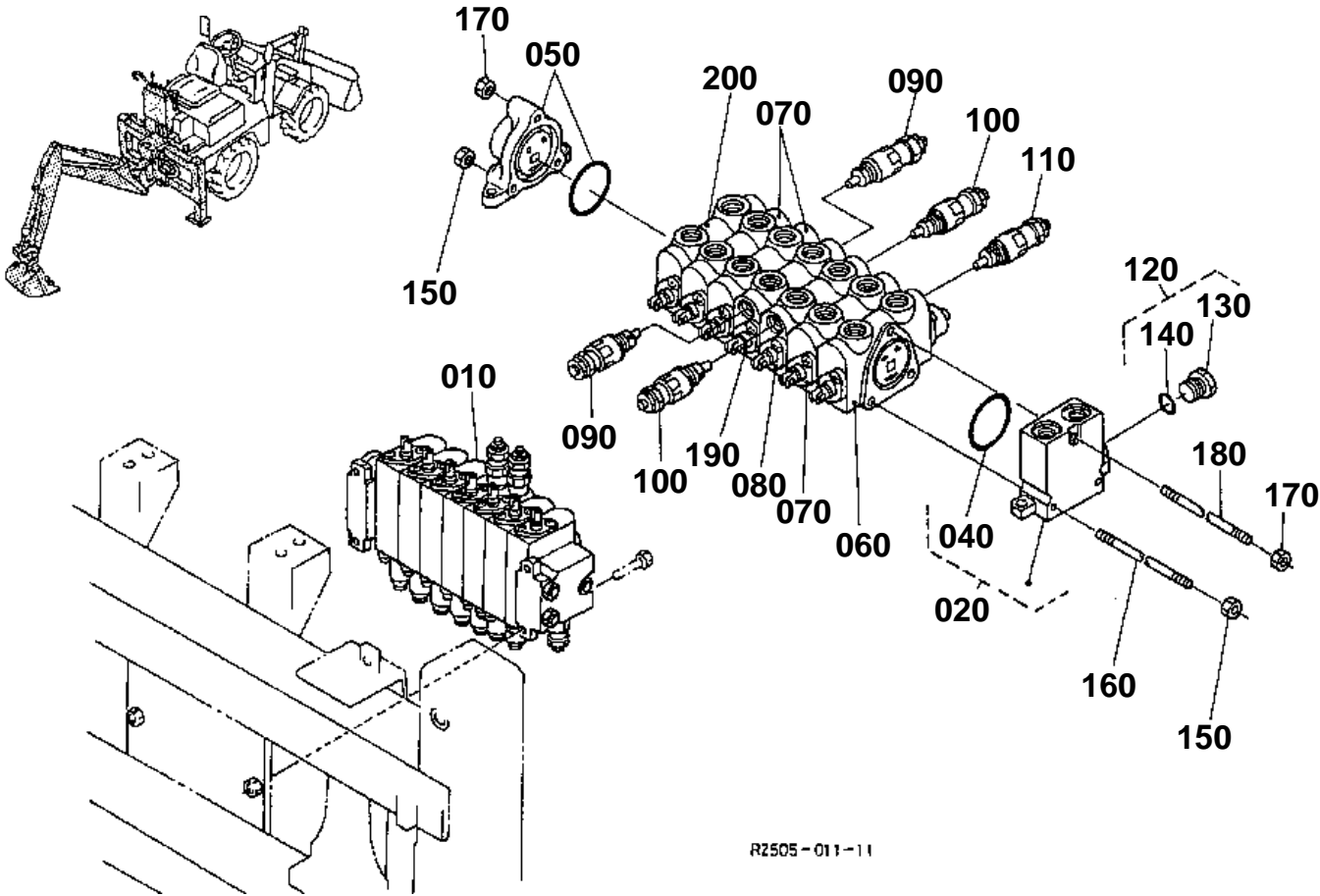


**OIL PIPING SWING**

↔ Interchangeable; ≠ not interchangeable; ← new for old; → old for new

REF.No	Part No.	Description	Q'ty	S.No.	I/C	REMARKS	Weight (kgf)	Weight (lb)
010	R2401-68980	PIPE S-H	1	≤11120			0.4	0.88
010	R2401-68983	PIPE S-H	1	≥11121	≠		0.4	0.88
020	06020-31202	JOINT PIPE	2	≤11120			0.025	0.055
020	06020-31203	JOINT PIPE	2	≥11121	≠	NOT SALE	0.025	0.055
030	99999-99999	BLANK	0				0	0
040	68817-68720	HOSE	1				0.23	0.506
050	68817-68760	PIPE HYDRAULIC	1	≤11120			0.2	0.44
050	68817-68764	PIPE HYDRAULIC	1	≥11121	≠		0.2	0.44
060	06020-30802	JOINT PIPE	2	≤11120		NOT SALE	0.051	0.1122
060	06020-30803	JOINT PIPE	2	≥11121	≠	NOT SALE	0.015	0.033
070	99999-99999	BLANK	0				0	0
080	R2401-68990	PIPE S-L	1	≤11120			0.4	0.88
080	R2401-68993	PIPE S-L	1	≥11121	≠		0.4	0.88
090	06020-31202	JOINT PIPE	2	≤11120			0.025	0.055
090	06020-31203	JOINT PIPE	2	≥11121	≠	NOT SALE	0.025	0.055
100	99999-99999	BLANK	0				0	0
110	68817-68750	HOSE	1				0.25	0.55
120	68817-68730	PIPE HYDRAULIC	1	≤11120			0.2	0.44
120	68817-68734	PIPE HYDRAULIC	1	≥11121	≠		0.208	0.4576
130	06020-30802	JOINT PIPE	2	≤11120		NOT SALE	0.051	0.1122
130	06020-30803	JOINT PIPE	2	≥11121	≠	NOT SALE	0.015	0.033

CONTROL VALVE [COMPONENT PARTS]



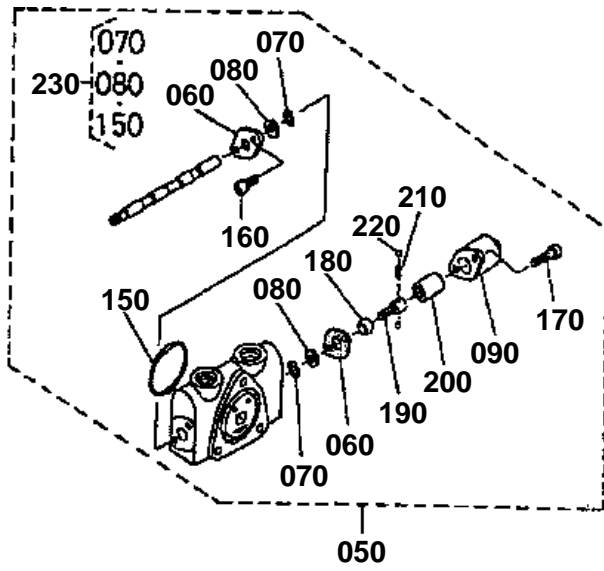


# CONTROL VALVE [COMPONENT PARTS]

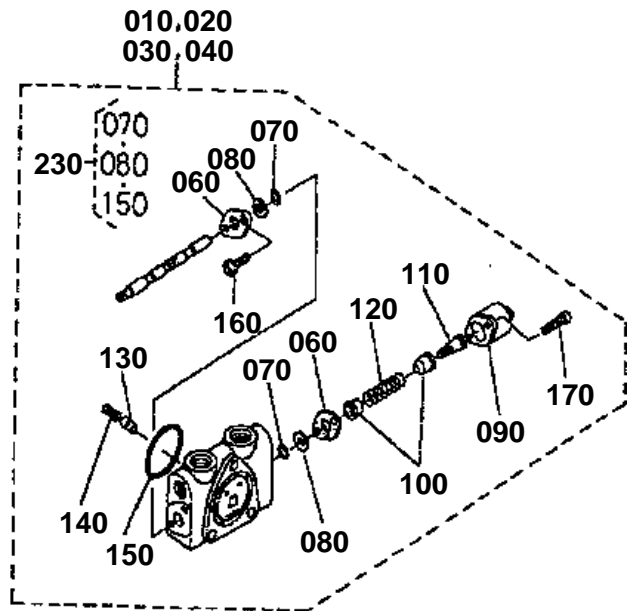
↔ Interchangeable; ≠ not interchangeable; ← new for old; → old for new

REF.No	Part No.	Description	Q'ty	S.No.	I/C	REMARKS	Weight (kgf)	Weight (lb)
010	R2401-69110	ASSY VALVE CONTROL	1				20	44
020	68811-93930	ASSY SECTION INLET	1				1.6	3.52
030	99999-99999	BLANK	0				0	0
040	68021-81330	O RING	1				0.003	0.0066
050	68131-65020	OUTLET SECTION ASSY	1				1.15	2.53
060	R2401-94310	ASSY VALVE SECTION	1				2.28	5.016
070	68811-93873	ASSY VALVE SECTION	3				2.5	5.5
080	68811-93843	ASSY VALVE SECTION	1				2.222	4.8884
090	68811-93960	ASSY VALVE RELIEFPOR	2				0.21	0.462
100	68811-93970	ASSY VALVE RELIEFPOR	2				0.21	0.462
110	68811-93980	ASSY VALVE RELIEFPOR	1				0.22	0.484
120	68811-93952	ASSY PLUG	1				0.041	0.0902
130	68811-95340	PLUG	1				0.04	0.088
140	68741-70560	O RING	1				0.001	0.0022
150	68021-81370	NUT	4				0.005	0.011
160	68241-61360	ROD TIE	2				0.14	0.308
170	68021-81380	NUT	2				0.01	0.022
180	68241-61350	ROD TIE	1				0.2	0.44
190	68811-93853	ASSY VALVE SECTION	1				2.3	5.06
200	68811-93893	ASSY VALVE SECTION	1				2.4	5.28

CONTROL VALVE SPOOL SECTION



R2505-012-12





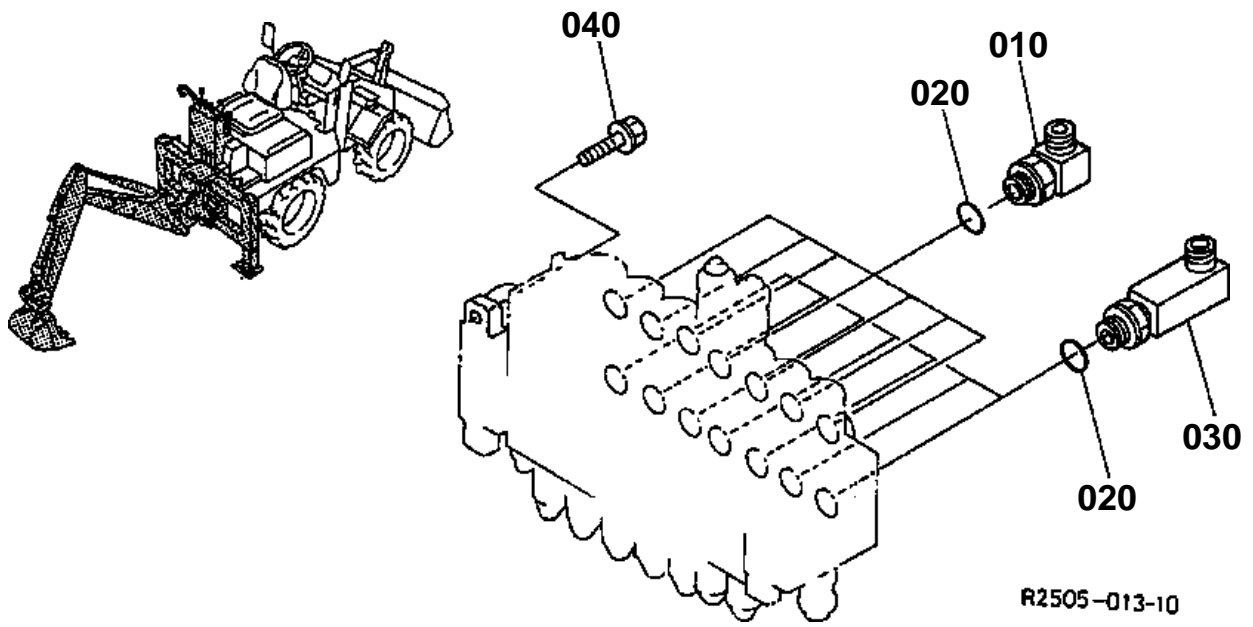


## CONTROL VALVE SPOOL SECTION

↔ Interchangeable; ≠ not interchangeable; ← new for old; → old for new

REF.No	Part No.	Description	Q'ty	S.No.	I/C	REMARKS	Weight (kgf)	Weight (lb)
010	68811-93843	ASSY VALVE SECTION	1				2.222	4.8884
020	68811-93873	ASSY VALVE SECTION	3				2.5	5.5
030	68811-93853	ASSY VALVE SECTION	1				2.3	5.06
040	R2401-94310	ASSY VALVE SECTION	1				2.28	5.016
050	68811-93893	ASSY VALVE SECTION	1				2.4	5.28
060	68021-81510	PLATE SEAL	2				0.012	0.0264
070	68131-65180	O RING	2				0.001	0.0022
080	68021-81460	WIPER	2				0.001	0.0022
090	68021-81520	CAP	1				0.03	0.066
100	68021-81470	SEAT SPRING	2				0.005	0.011
110	68021-81480	SCREW CAP	1				0.01	0.022
120	68741-70520	SPRING	1				0.01	0.022
130	68021-81430	POPPET	1				0.005	0.011
140	68021-81440	SPRING	1				0.002	0.0044
150	68021-81330	O RING	1				0.003	0.0066
160	03004-50610	SCREW WITH WASHER	2				0.004	0.0088
170	68741-70530	BOLT SOCKET HEAD	2				0.005	0.011
180	68811-94420	SPACER	1				0.001	0.0022
190	68811-94430	PIN	1				0.02	0.044
200	68811-94440	SLEEVE	1				0.03	0.066
210	68811-94450	SPRING	1				0.001	0.0022
220	68811-94460	BALL STAINLESS	2				0.001	0.0022
230	68811-93600	KIT SEAL	1				0.004	0.0088

# CONTROL VALVE



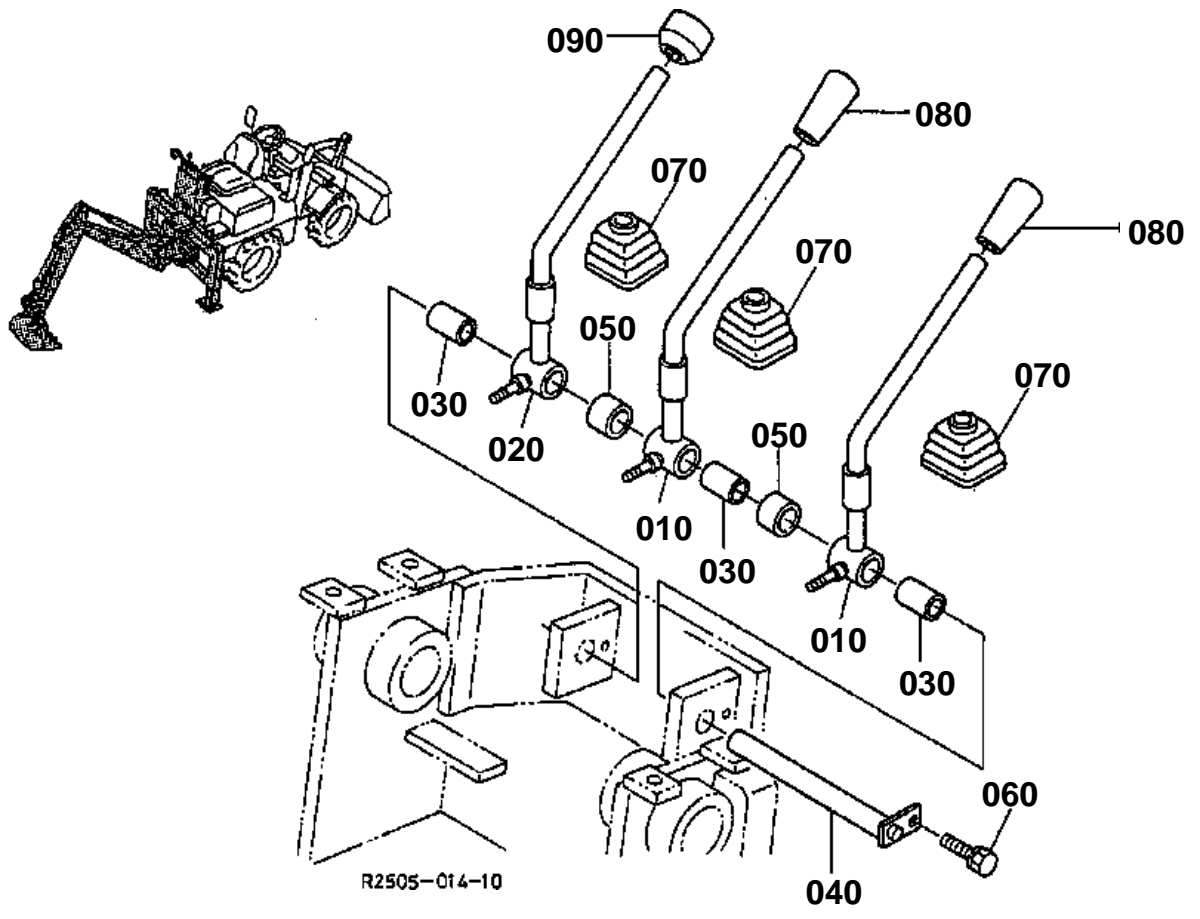


# CONTROL VALVE

↔ Interchangeable; ≠ not interchangeable; ← new for old; → old for new

REF.No	Part No.	Description	Q'ty	S.No.	I/C	REMARKS	Weight (kgf)	Weight (lb)
010	R2401-68510	JOINT ELBOW R	7				0.145	0.319
020	04810-00180	O RING	14				0	0
030	R2401-68520	JOINT ELBOW L	7				0.233	0.5126
040	01133-61025	BOLT	4				0.02	0.044

CONTROL LEVER OUTLIGGER/SLIDE LOCK

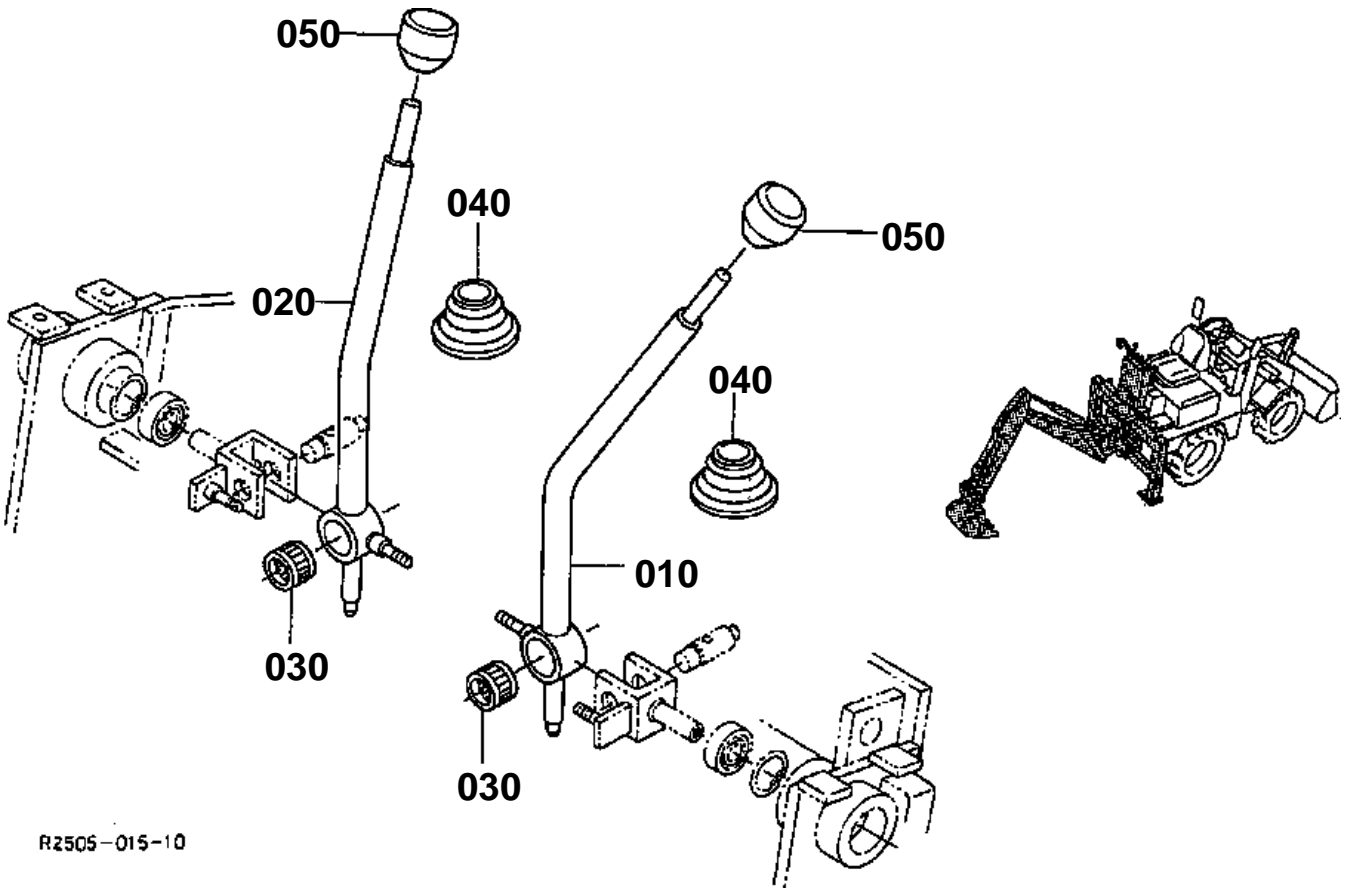




## CONTROL LEVER OUTLIGGER/SLIDE LOCK

↔ Interchangeable; ≠ not interchangeable; ← new for old; → old for new

REF.No	Part No.	Description	Q'ty	S.No.	I/C	REMARKS	Weight (kgf)	Weight (lb)
010	R2401-69210	LEVER	2				0.298	0.6556
020	R2401-69280	LEVER LOCK	1				0.226	0.4972
030	08511-01625	BUSH	3				0.01	0.022
040	R2401-69220	PIN	1				0.229	0.5038
050	R2401-69230	SPACER	2				0.027	0.0594
060	01023-60612	BOLT	1				0.008	0.0176
070	69244-65590	RUBBER BELLOWS	3				0.1	0.22
080	55311-31520	GRIP	2				0.02	0.044
090	55411-31460	GRIP LEVER	1				0.025	0.055



R2505-015-10

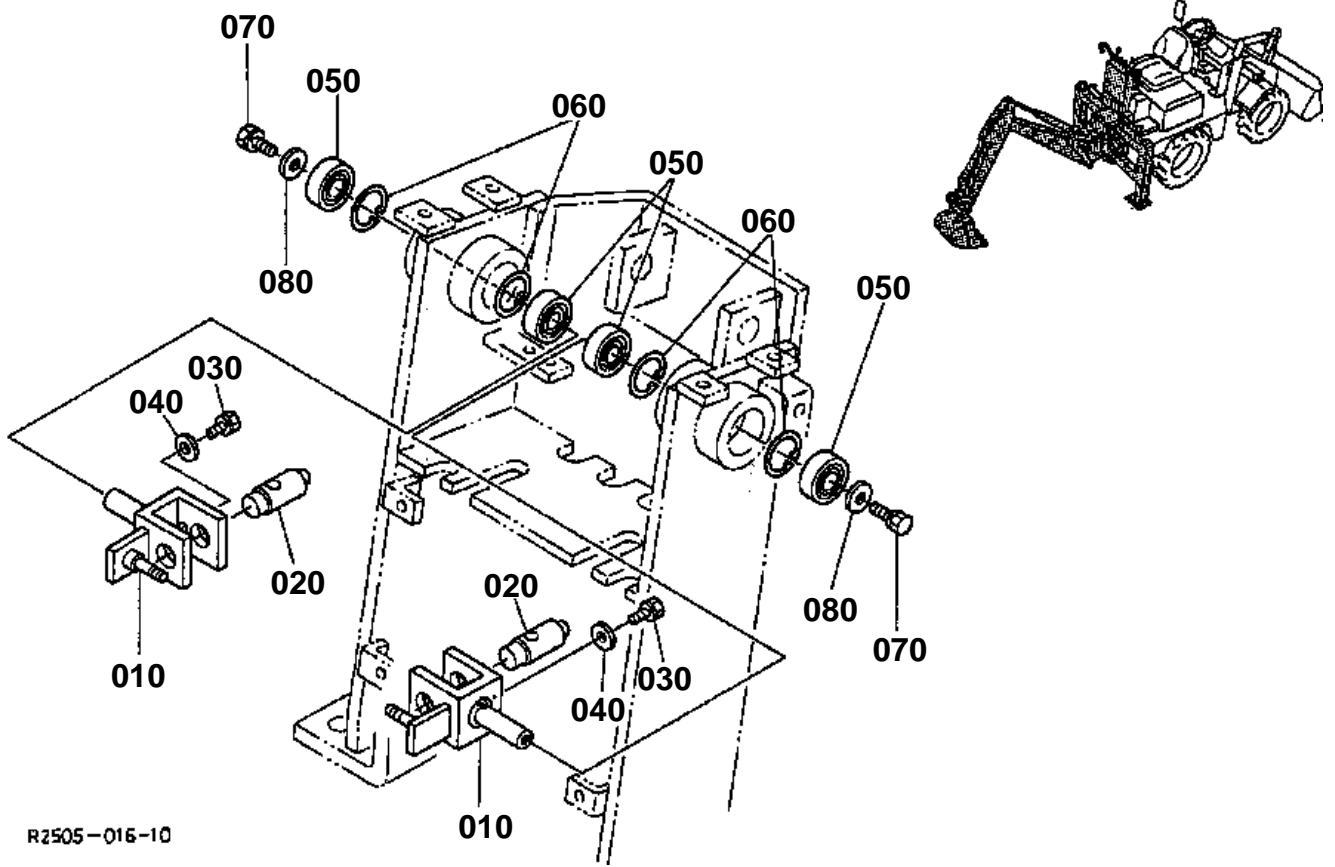


## CONTROL LEVER OPERATING

↔ Interchangeable; ≠ not interchangeable; ← new for old; → old for new

REF.No	Part No.	Description	Q'ty	S.No.	I/C	REMARKS	Weight (kgf)	Weight (lb)
010	R2401-69240	LEVER	1				0.396	0.8712
020	R2401-69250	LEVER	1				0.38	0.836
030	68841-65250	BEARING NEEDLE	2				0.02	0.044
040	68701-65180	RUBBER BELLOWS	2				0.07	0.154
050	66711-42310	GRIP LEVER	2				0.033	0.0726

CONTROL ARM



R2505-016-10



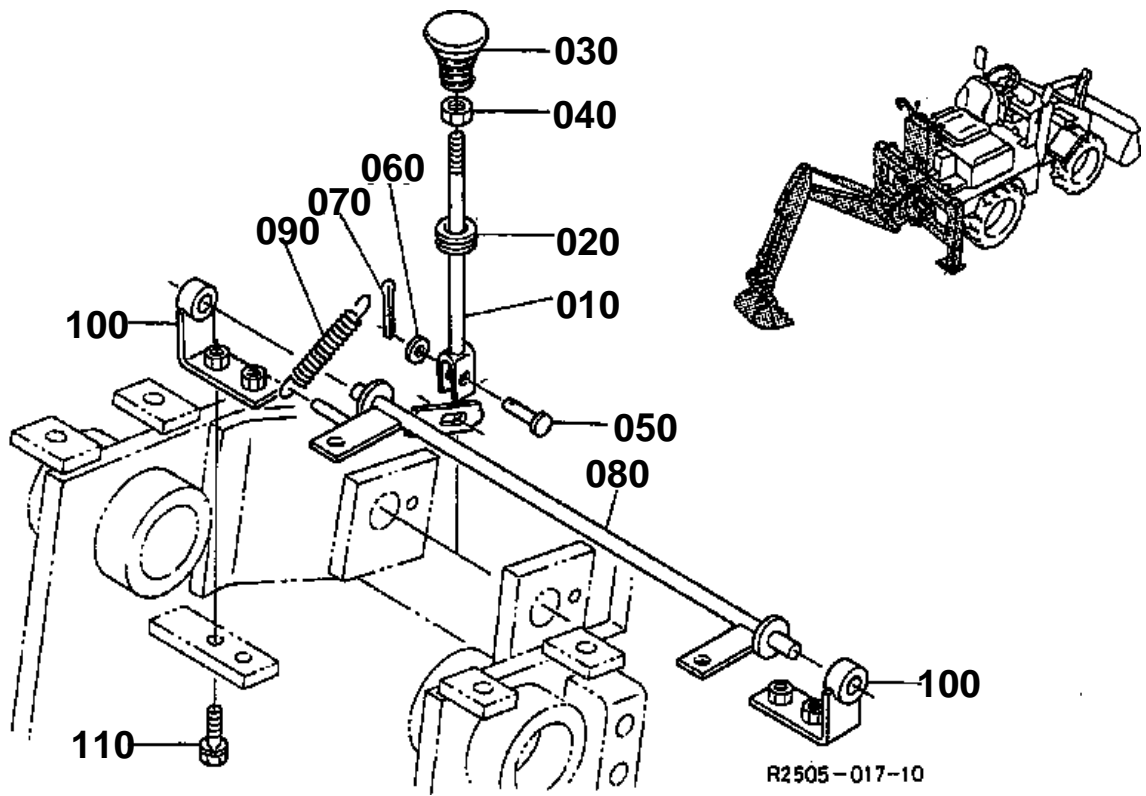


# CONTROL ARM

↔ Interchangeable; ≠ not interchangeable; ← new for old; → old for new

REF.No	Part No.	Description	Q'ty	S.No.	I/C	REMARKS	Weight (kgf)	Weight (lb)
010	R2401-69260	ARM CONTROL	2				0.177	0.3894
020	R1401-65320	PIN	2				0.05	0.11
030	01023-60610	BOLT	2				0.01	0.022
040	04013-60060	WASHER PLAIN	4				0.001	0.0022
050	08141-06002	BEARING BALL	4				0.029	0.0638
060	04611-00320	CIR CLIP INTERNAL	4				0.002	0.0044
070	01123-60816	BOLT	2				0.01	0.022
080	04015-60080	WASHER PLAIN	2				0.01	0.022

LOCK ROD

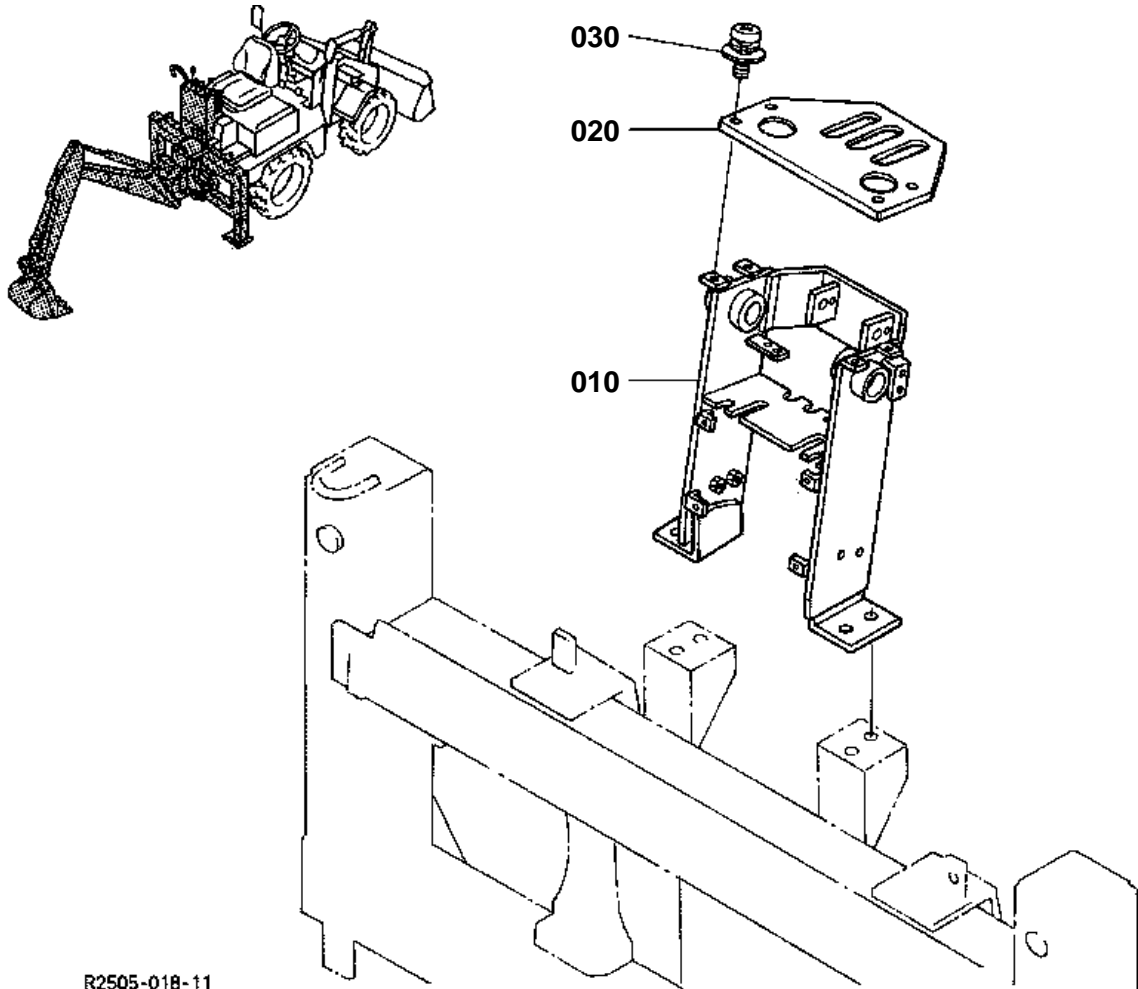




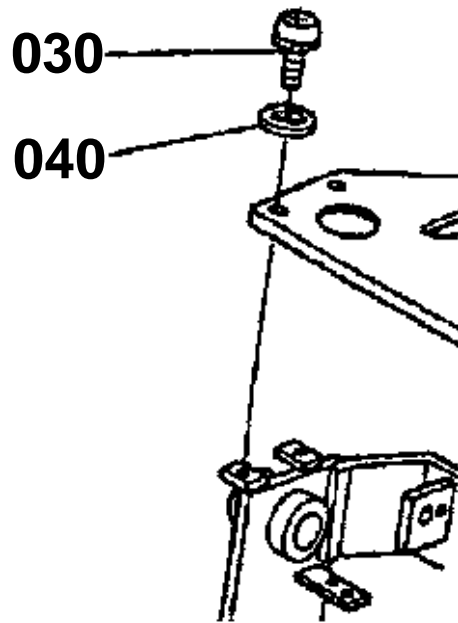
# LOCK ROD

↔ Interchangeable; ≠ not interchangeable; ← new for old; → old for new

REF.No	Part No.	Description	Q'ty	S.No.	I/C	REMARKS	Weight (kgf)	Weight (lb)
010	R1401-65520	ROD LOCK	1				0.025	0.055
020	36330-87450	RING RUBBER	1				0.001	0.0022
030	67156-55150	GRIP	1				0.003	0.0066
040	02014-60060	NUT	1				0.002	0.0044
050	05122-50614	PIN JOINT	1				0.004	0.0088
060	04013-60060	WASHER PLAIN	1				0.001	0.0022
070	05511-51612	PIN SPLIT	1				0.001	0.0022
080	R2401-69380	ARM LOCK	1				0.142	0.3124
090	R1401-65540	SPRING	1				0.003	0.0066
100	R2401-69390	SUPPORT	2				0.033	0.0726
110	01023-60616	BOLT	4				0.005	0.011



030 03004-60610  
040 04013-60060



R2505-803-10

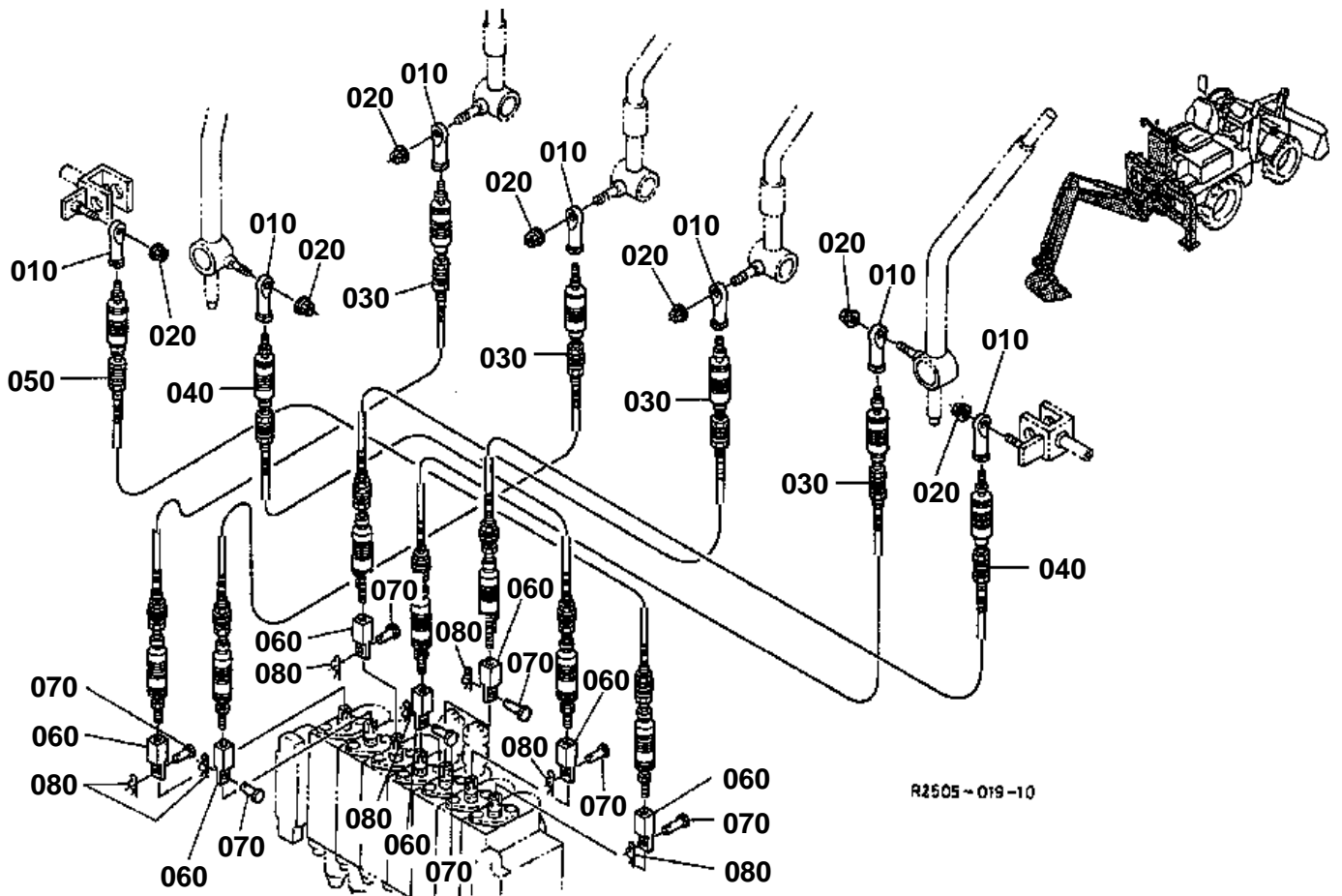


STAND

↔ Interchangeable; ≠ not interchangeable; ← new for old; → old for new

REF.No	Part No.	Description	Q'ty	S.No.	I/C	REMARKS	Weight (kgf)	Weight (lb)
010	R2401-69130	BASE CONTROL BH	1				8.5	18.7
020	R2401-69140	COVER	1				0.71	1.562
030	03004-60610	SCREW WITH WASHER	4	≤11350			0.01	0.022
030	03034-60612	SCREW WITH WASHER	4	≥11351	←		0.05	0.11
040	04013-60060	WASHER PLAIN	4	≤11350			0.001	0.0022

CONTROL CABLE [J.D.TYPE]





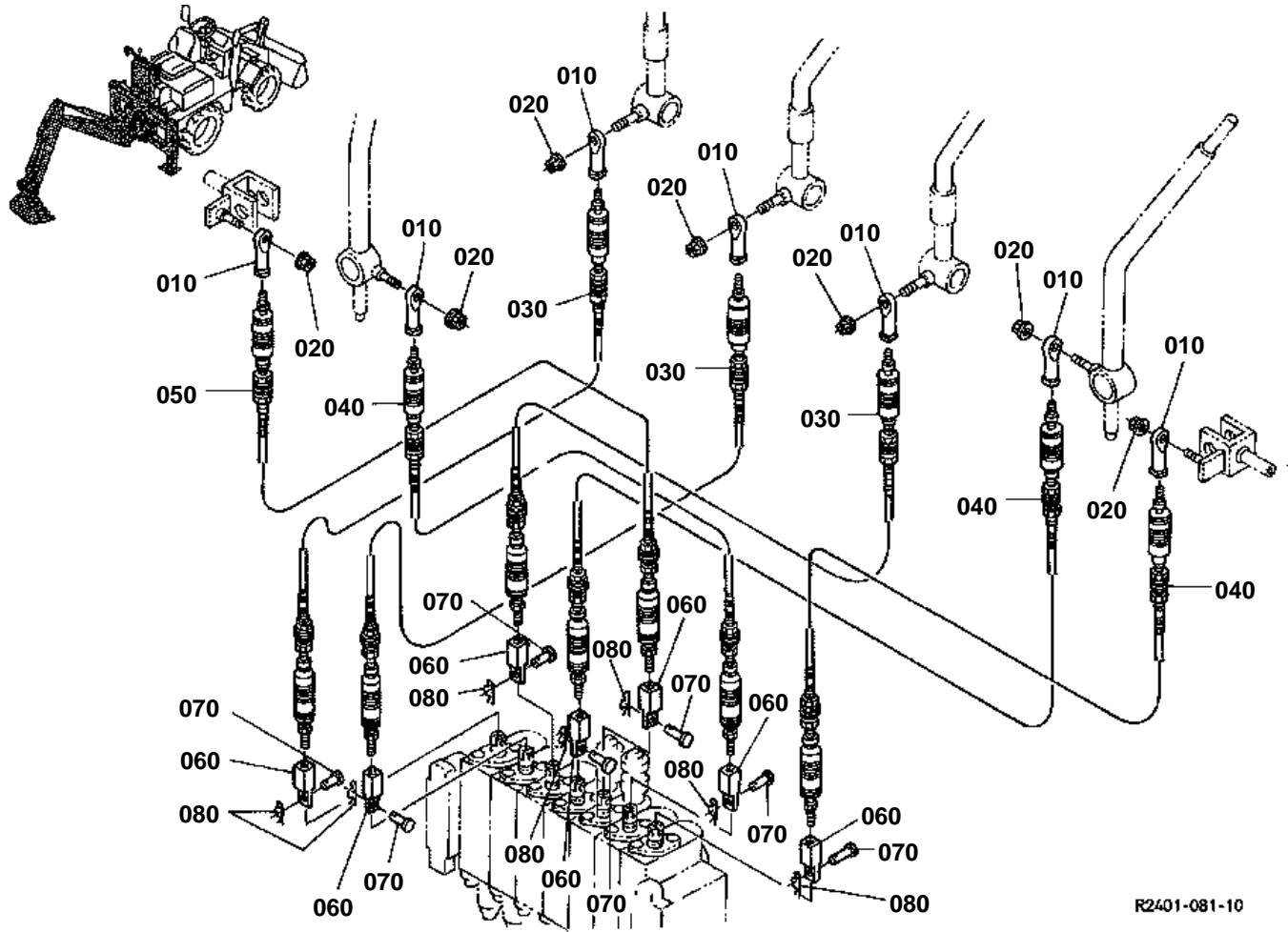
# CONTROL CABLE [J.D.TYPE]

↔ Interchangeable; ≠ not interchangeable; ← new for old; → old for new

REF.No	Part No.	Description	Q'ty	S.No.	I/C	REMARKS	Weight (kgf)	Weight (lb)
010	31351-24220	SCREW ROD-END RH	7				0.04	0.088
020	02751-50080	NUT FLANGE	7				0.006	0.0132
030	R2401-69310	CABLE CONTROL	4				0.512	1.1264
040	R2401-69320	CABLE CONTROL	2				0.526	1.1572
050	R2401-69330	CABLE CONTROL	1				0.54	1.188
060	R1401-65350	LINK	7				0.032	0.0704
070	68021-32790	PIN	7				0.004	0.0088
080	05525-60500	PIN SNAP	7				0.001	0.0022



CONTROL CABLE



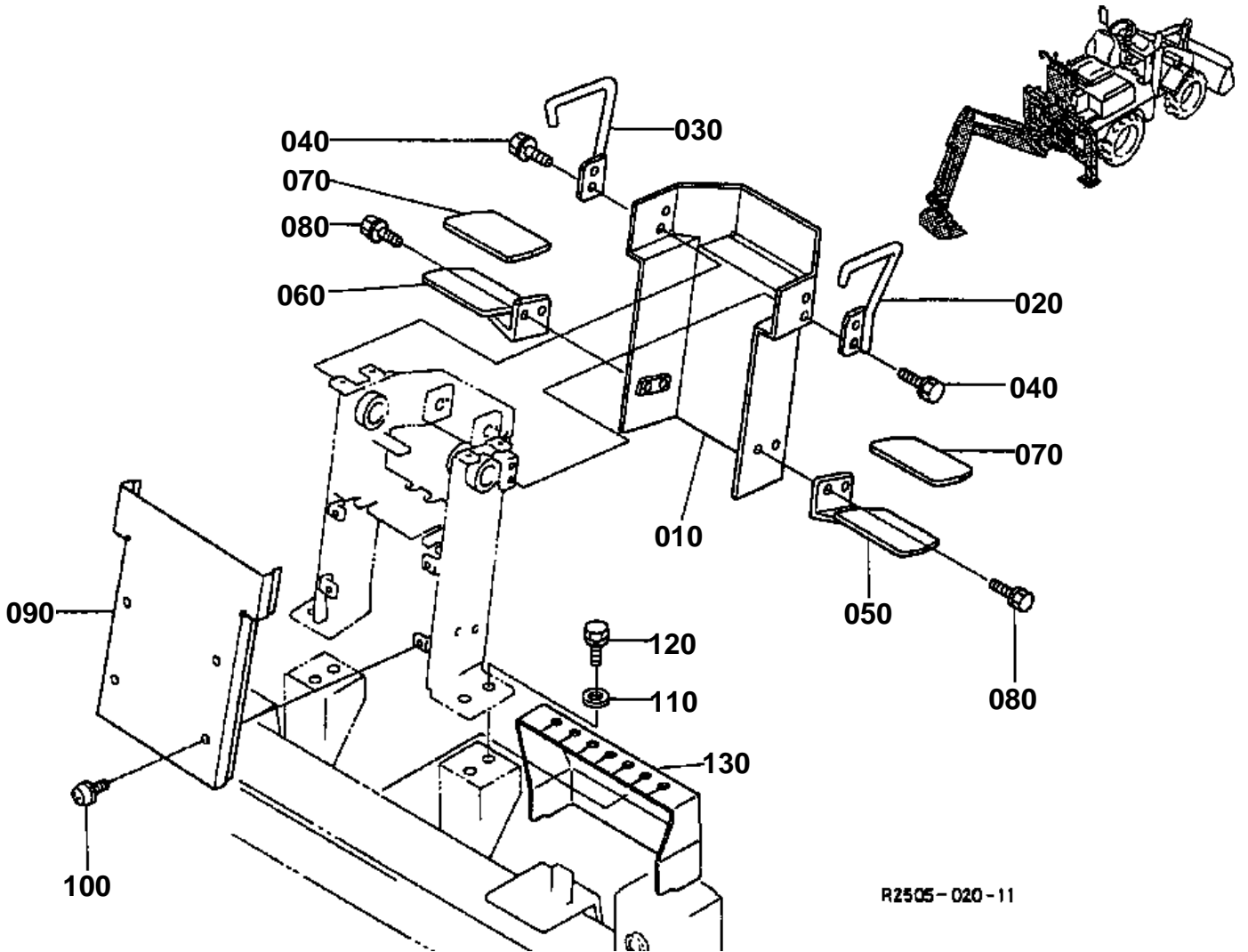
R2401-081-10



# CONTROL CABLE

↔ Interchangeable; ≠ not interchangeable; ← new for old; → old for new

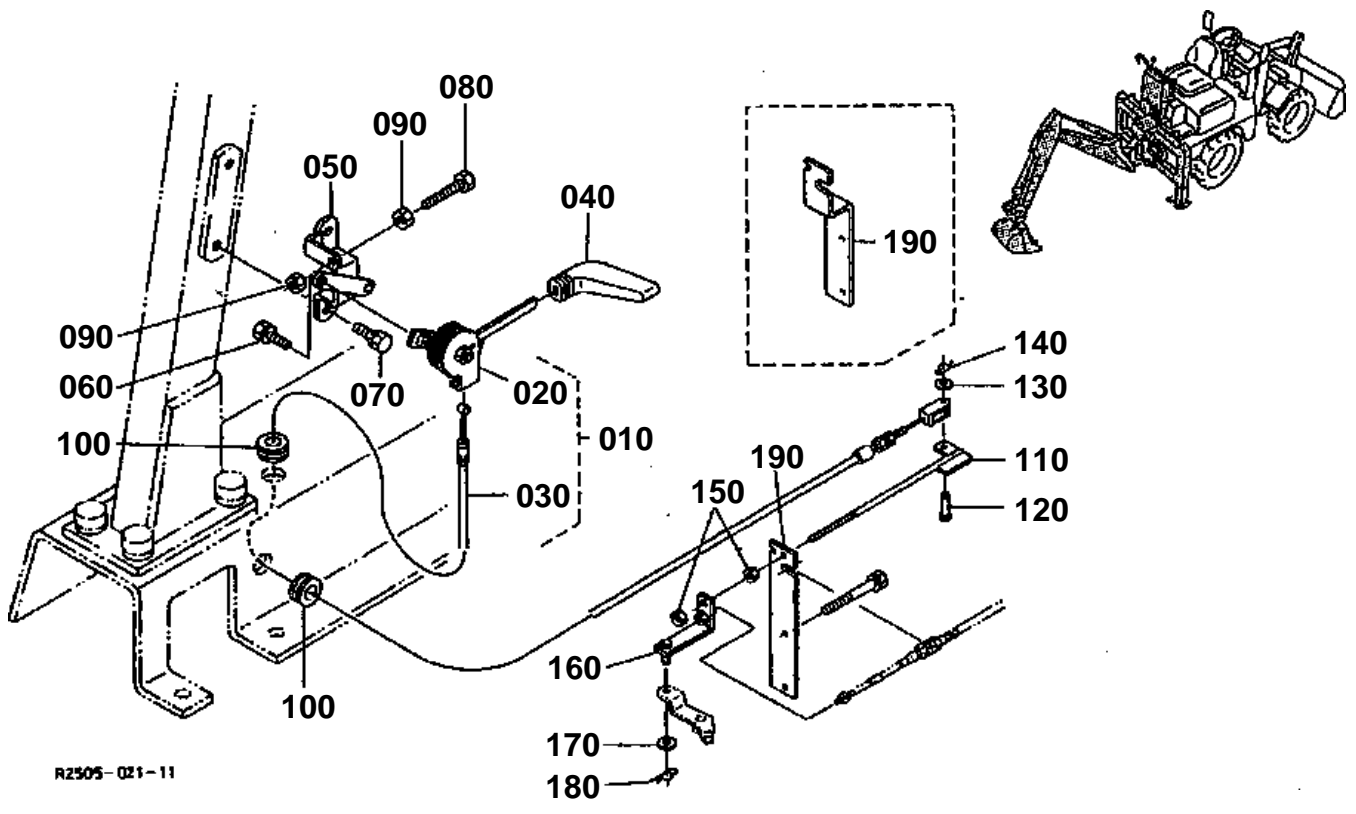
REF.No	Part No.	Description	Q'ty	S.No.	I/C	REMARKS	Weight (kgf)	Weight (lb)
010	31351-24220	SCREW ROD-END RH	7				0.04	0.088
020	02751-50080	NUT FLANGE	7				0.006	0.0132
030	R2401-69310	CABLE CONTROL	3				0.512	1.1264
040	R2401-69320	CABLE CONTROL	3				0.526	1.1572
050	R2401-69340	CABLE CONTROL	1				0.53	1.166
060	R1401-65350	LINK	7				0.032	0.0704
070	68021-32790	PIN	7				0.004	0.0088
080	05525-60500	PIN SNAP	7				0.001	0.0022



**COVER**

↔ Interchangeable; ≠ not interchangeable; ← new for old; → old for new

REF.No	Part No.	Description	Q'ty	S.No.	I/C	REMARKS	Weight (kgf)	Weight (lb)
010	R2401-69150	COVER	1				3.04	6.688
020	R2401-69410	HANDRAIL L	1				0.4	0.88
030	R2401-69420	HANDRAIL R	1				0.396	0.8712
040	01133-61025	BOLT	4				0.02	0.044
050	R2401-69170	STEP L	1				0.92	2.024
060	R2401-69180	STEP R	1				0.93	2.046
070	R1401-41380	PAD STEP	2				0.13	0.286
080	01133-61025	BOLT	4				0.02	0.044
090	R2401-69160	COVER	1				2.11	4.642
100	03004-60610	SCREW WITH WASHER	4				0.01	0.022
110	04013-60060	WASHER PLAIN	4				0.001	0.0022
120	01133-61030	BOLT	4				0.023	0.0506
130	R2401-69450	COVER VALVE	1	>=10236			0.34	0.748



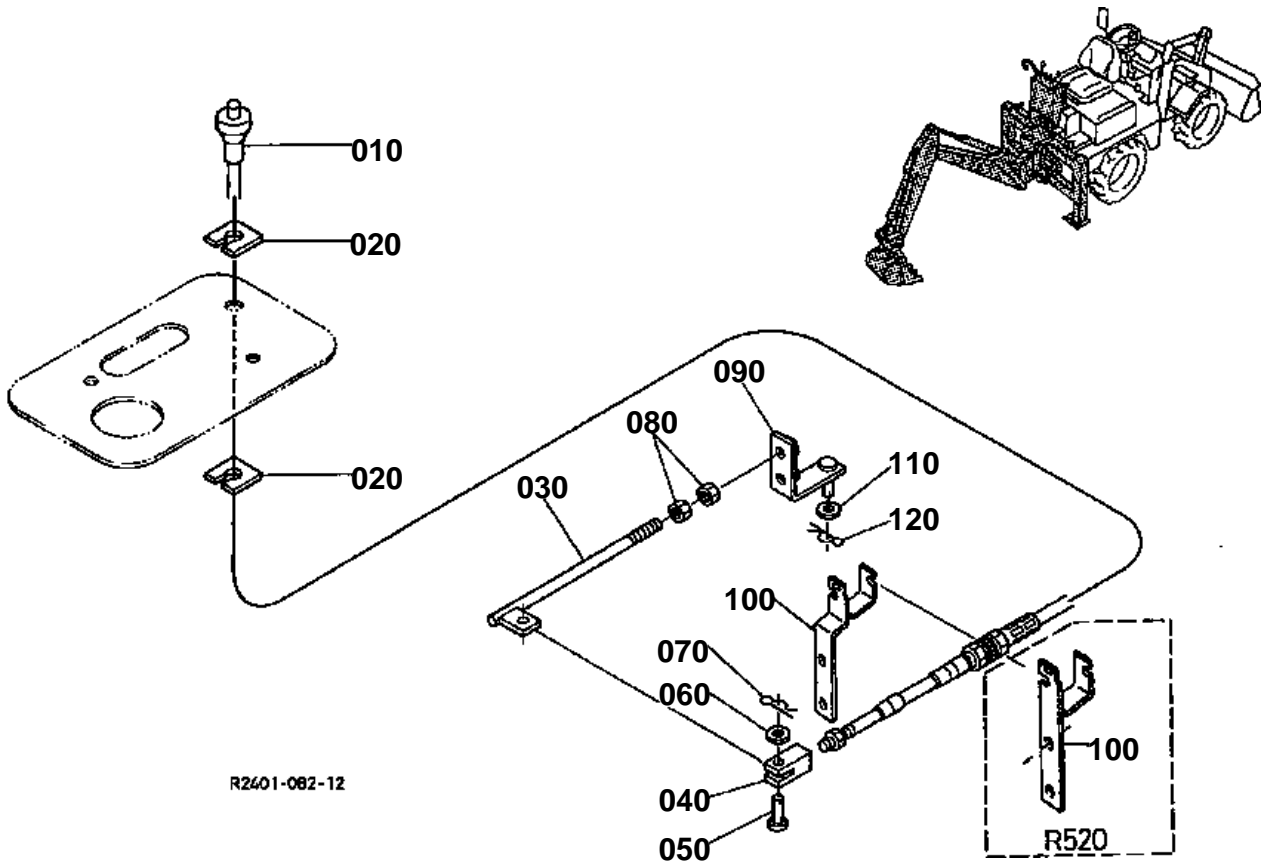
R2505-021-11



ACCEL  
S.No.;<=10217

↔ Interchangeable; ≠ not interchangeable; ← new for old; → old for new

REF.No	Part No.	Description	Q'ty	S.No.	I/C	REMARKS	Weight (kgf)	Weight (lb)
010	R2401-35500	ASSY ACCEL.	1				0.365	0.803
020	52600-31780	LEVER ACCEL.	1				0	0
030	RP201-35520	CABLE ACCEL	1				0	0
040	66091-55180	GRIP LEVER	1				0.015	0.033
050	R2401-35510	SUPPORT ACCEL	1				0.345	0.759
060	01023-60616	BOLT	2				0.005	0.011
070	01123-60820	BOLT	2				0.015	0.033
080	01153-60860	BOLT	1				0.024	0.0528
090	02112-60080	NUT	2				0.005	0.011
100	36330-87450	RING RUBBER	2				0.001	0.0022
110	R2401-35330	ROD ACCEL.	1				0.082	0.1804
120	05122-60618	PIN JOINT	1				0.01	0.022
130	04013-60060	WASHER PLAIN	1				0.001	0.0022
140	05525-60600	PIN SNAP	1				0.001	0.0022
150	02014-60060	NUT	2				0.002	0.0044
160	R2401-35320	LINK ACCEL.	1				0.075	0.165
170	04013-60060	WASHER PLAIN	1				0.001	0.0022
180	05525-60600	PIN SNAP	1				0.001	0.0022
190	R2401-35310	SUPPORT ACCEL	1				0.4	0.88

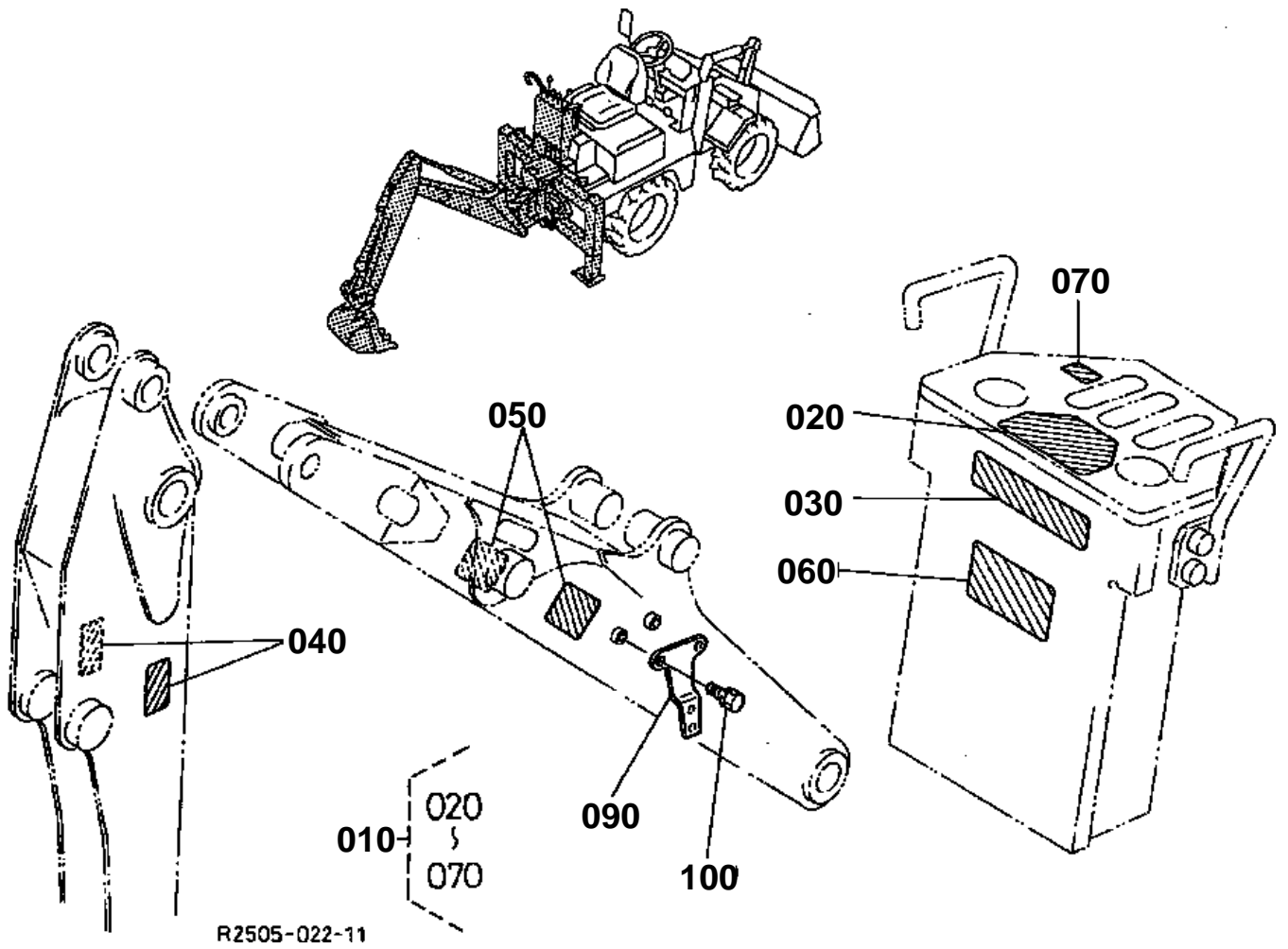




↔ Interchangeable; ≠ not interchangeable; ← new for old; → old for new

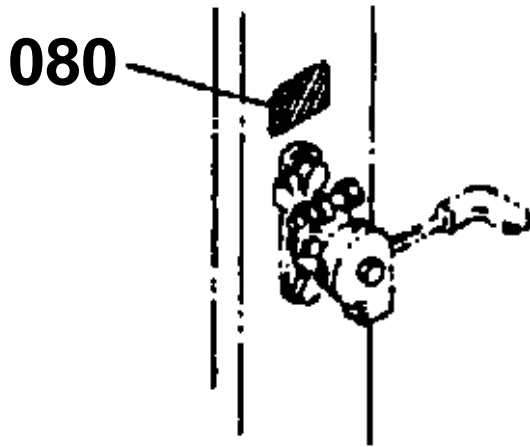
REF.No	Part No.	Description	Q'ty	S.No.	I/C	REMARKS	Weight (kgf)	Weight (lb)
010	R2401-35550	ACCEL CABLE	1				0.717	1.5774
020	R2401-35560	WASHER	1				0.027	0.0594
030	R2401-35360	ROD ACCEL.	1				0.066	0.1452
040	68351-35150	FORKED	1				0.02	0.044
050	05122-60618	PIN JOINT	1				0.01	0.022
060	04013-60060	WASHER PLAIN	1				0.001	0.0022
070	05525-60600	PIN SNAP	1				0.001	0.0022
080	02014-60060	NUT	2				0.002	0.0044
090	R2401-35320	LINK ACCEL.	1				0.075	0.165
100	R2401-35350	SUPPORT ACCEL	1				0.54	1.188
110	04013-60060	WASHER PLAIN	1				0.001	0.0022
120	05525-60600	PIN SNAP	1				0.001	0.0022





R2505-022-11

080 R2401-5774-0



R2401-811-10



## LABEL

↔ Interchangeable; ≠ not interchangeable; ← new for old; → old for new

REF.No	Part No.	Description	Q'ty	S.No.	I/C	REMARKS	Weight (kgf)	Weight (lb)
010	R2401-69060	ASSY LABEL BHTD	1			JD	0.032	0.0704
010	R2401-69070	ASSY LABEL BHTD	1			JIS	0.04	0.088
020	R2401-57680	LABEL BH CONTROL JD	1			JD	0.002	0.0044
020	R2401-57690	LABEL	1			JIS	0.001	0.0022
030	68709-57250	MARK KUBOTA	1				0.005	0.011
040	R2401-57650	LABEL BH	2				0.001	0.0022
050	R2401-57660	LABEL BH	2				0.003	0.0066
060	R2401-57670	LABEL BH	1				0.003	0.0066
070	R1401-57230	LABEL LOCK	1				0.001	0.0022
080	R2401-57740	LABEL ACCEL.	1	≥10033			0.001	0.0022
080	R2401-57740	LABEL ACCEL.	1	≤10217			0.001	0.0022
090	32530-71752	CLAMP MARK	1				0.2	0.44
100	01123-60816	BOLT	2				0.01	0.022