

Instructions for Parts Books

The heading at the top of the page will be the same for the picture of the parts as it is for the page with the part numbers.

Definition of column headings on part number pages:

REF.No → The number referring to the part on the picture page of the parts book.

Part No. → The number assigned to this part at the time of printing the parts book.

Description → Description of part.

Q'ty → Quantity of part used on that page.

S.No. → Serial number range of the equipment that this part will fit.

>= Your serial number should be greater than or equal to the number shown.

<= Your serial number should be lesser than or equal to the serial number shown.

I/C → Interchangeability of part shown.

↔ The part shown will work for the older and later serial number.

The part shown is not interchangeable with the other serial number.

← new for old

→ old for new

Remarks → Notes about this particular part. Sometimes this may say except [FR] or [CA]

Note about Country Codes:

The parts books we use in the United States of America may also contain information about a part that would be different in another country. It is important that you are aware of the country codes in some instances.

Symbol	Country
A	United States of America
CA	Canada
FR	France
GR	Greece
PO	Portugal
AU	Australia

If the remarks column says for example EXCEPT [FR] this part works in all countries except France. That means it will work here in the USA.

ALL PRODUCT INDEX
BF400G

FRAME/BOOM

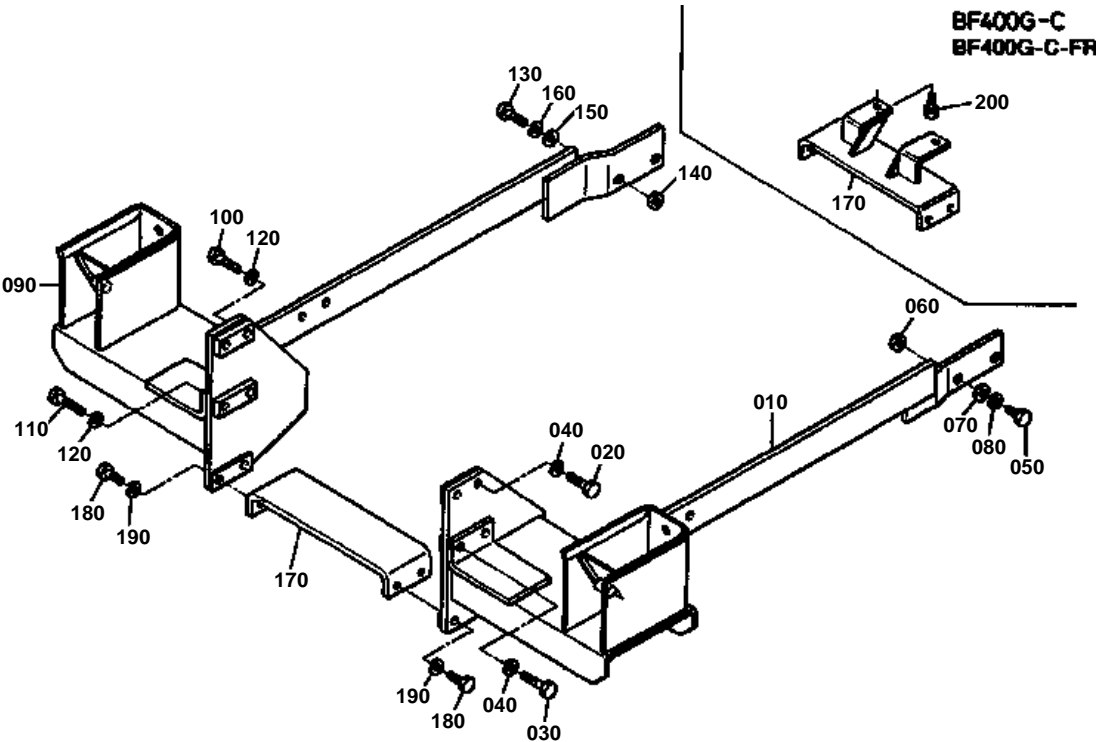


HYDRAULIC SYSTEM

ACCESSORIES

Item	Part No.	Description	Book
FRAME/BOOM	01I01	MAIN FRAME	100K0464
	01I03	SIDE FRAME	100K0464
	01I04	BOOM	100K0464
HYDRAULIC SYSTEM	01I05	CONTROL VALVE	100K0464
	01I06	CONTROL VALVE [COMPONENT PARTS]	100K0464
	01I07	CYLINDER/HYDRAULIC OIL LINE	100K0464
	01I08	CYLINDER (BOOM) LH [COMPONENT PARTS]	100K0464
	01I10	CYLINDER (BOOM) RH [COMPONENT PARTS]	100K0464
	01I12	CYLINDER (BUCKET) [COMPONENT PARTS]	100K0464
	01I14	HYDRAULIC OIL LINE	100K0464
ACCESSORIES	01I15	ACCESSORIES AND SERVICE PARTS	100K0464

MAIN FRAME

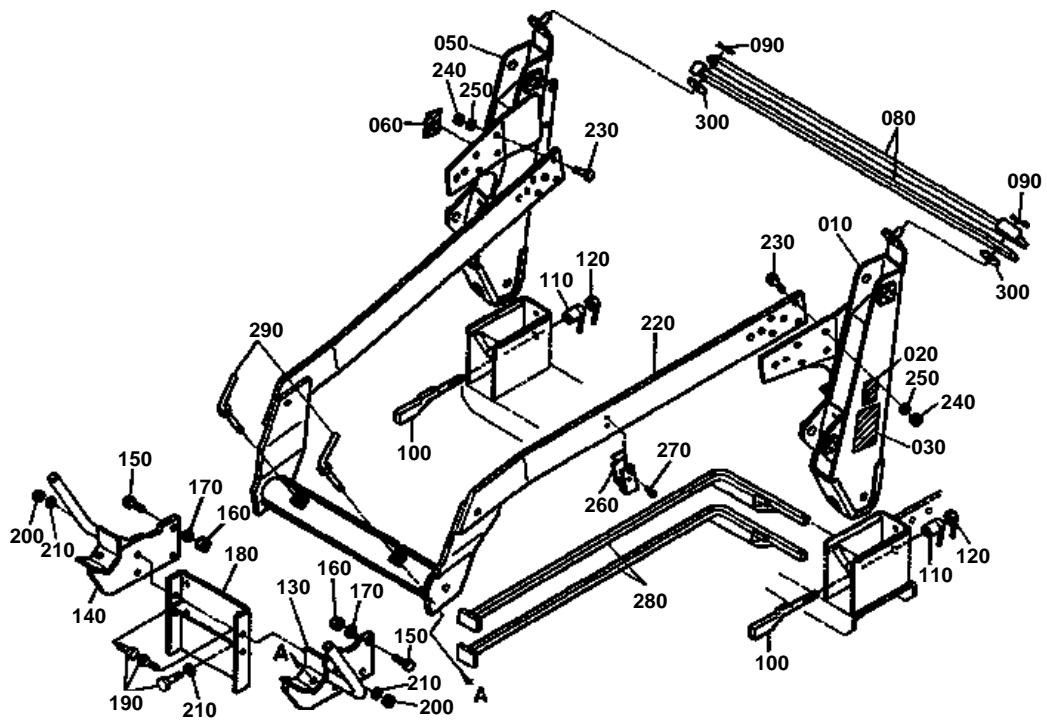


**MAIN FRAME**

↔ Interchangeable; ≠ not interchangeable; ← new for old; → old for new

REF.No	Part No.	Description	Q'ty	S.No.	I/C	REMARKS	Weight (kgf)	Weight (lb)
010	70760-55010	FRAME,MAIN LH	1				0	0
010	70760-55170	FRAME,MAIN LH	1			BF400G-C(FR)	0	0
020	01173-51445	BOLT	2				0.067	0.1474
030	01173-51455	BOLT	2				0.08	0.176
040	04512-50140	WASHER,SPRING	4				0	0
050	01173-51440	BOLT	2				0.062	0.1364
060	02174-50140	NUT	2				0.014	0.0308
070	04013-50140	WASHER,PLAIN	2				0	0
080	04512-50140	WASHER,SPRING	2				0	0
090	70760-55030	FRAME,MAIN RH	1				0	0
090	70760-55190	FRAME,MAIN RH	1			BF400G-C(FR)	0	0
100	01173-51450	BOLT	2				0.075	0.165
110	01173-51460	BOLT	2				0.08	0.176
120	04512-50140	WASHER,SPRING	4				0	0
130	01173-51440	BOLT	2				0.062	0.1364
140	02174-50140	NUT	2				0.014	0.0308
150	04013-50140	WASHER,PLAIN	2				0	0
160	04512-50140	WASHER,SPRING	2				0	0
170	70761-55050	CONNECTOR	1				3.8	8.36
170	70760-55050	CONNECTOR	1			BF400G-C(FR)	5.5	12.1
180	01173-51440	BOLT	4				0.062	0.1364
190	04512-50140	WASHER,SPRING	4				0	0
200	01133-51230	BOLT	2			BF400G-C(FR)	0.04	0.088

SIDE FRAME

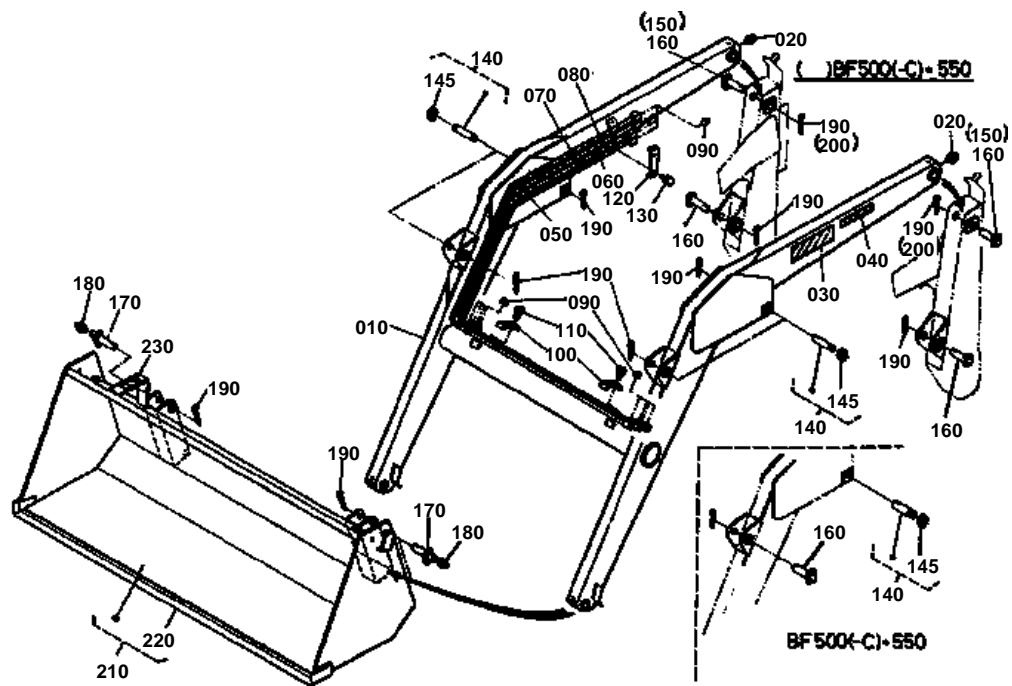




SIDE FRAME

↔ Interchangeable; ≠ not interchangeable; ← new for old; → old for new

REF.No	Part No.	Description	Q'ty	S.No.	I/C	REMARKS	Weight (kgf)	Weight (lb)
010	70760-56110	FRAME,SIDE LH	1				22.7	49.94
020	99999-99999	LABEL,MODEL	1			NON SALE	0	0
030	70726-56140	LABEL,SAFETY	1				0.001	0.0022
030	70761-56210	LABEL,SAFETY	1			BF400G,500-C-FR	0.001	0.0022
040	99999-99999	BLANK	0				0	0
050	70760-56130	FRAME,SIDE RH	1				20.5	45.1
060	70726-56270	LABEL,CAUTION	1				0.001	0.0022
060	70761-56240	LABEL,CAUTION	1			BF400G,500-C-FR	0.001	0.0022
070	99999-99999	BLANK	0				0	0
080	70764-56170	CONNECTOR,MAST	2				5	11
090	70515-16330	PIN,SPRING	2				0.028	0.0616
100	70761-56190	BOLT,WEDGE	2				0	0
110	70726-56210	NUT,LOCK	2	≤12066			0	0
110	70726-56212	NUT,LOCK	2	≥12067	←		0.12	0.264
120	70726-56230	NUT,LOCK	2	≤12066			0	0
120	70726-56232	NUT,LOCK	2	≥12067	←		0.05	0.11
130	70760-57113	SUPPORT,BRACE LH	1				0	0
130	70760-57210	SUPPORT,BRACE LH	1			BF400G-C(FR)	6	13.2
140	70760-57132	SUPPORT,BRACE RH	1				0	0
140	70760-57230	SUPPORT,BRACE RH	1			BF400G-C(FR)	5.3	11.66
150	01173-51440	BOLT	4				0.062	0.1364
160	02174-50140	NUT	2				0.014	0.0308
170	04512-50140	WASHER,SPRING	4				0	0
180	70761-57180	CONNECTOR,FRONT	1				0	0
190	01173-51440	BOLT	8				0.062	0.1364
200	02174-50140	NUT	4				0.014	0.0308
210	04512-50140	WASHER,SPRING	8				0	0
220	70760-57150	BRACE	1				0	0
230	01173-51440	BOLT	8				0.062	0.1364
240	02174-50140	NUT	8				0.014	0.0308
250	04512-50140	WASHER,SPRING	8				0	0
260	70761-57190	SPRING,PALTE	1				0.1	0.22
270	01123-50814	BOLT	2				0	0
280	70760-55150	STAND	2				0	0
290	70760-57170	BOLT	2				0.285	0.627

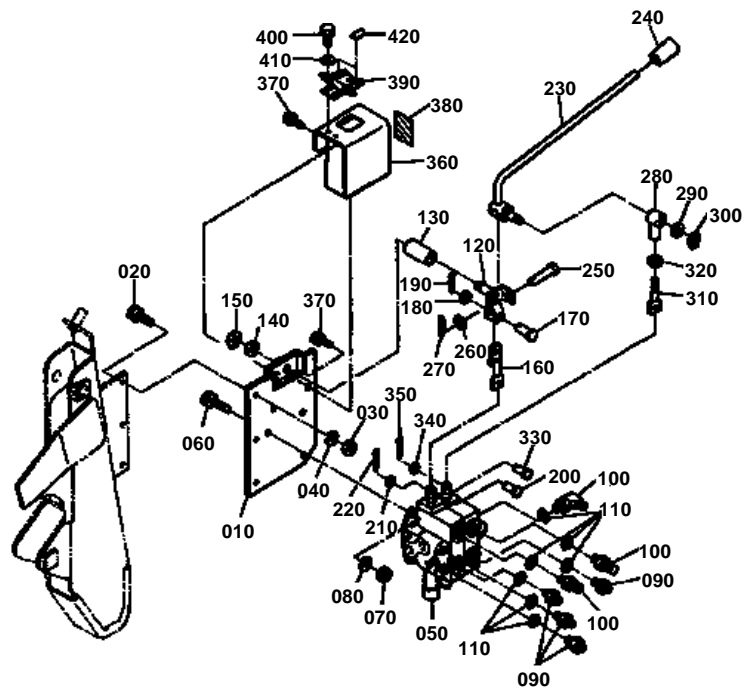


**BOOM**

↔ Interchangeable; ≠ not interchangeable; ← new for old; → old for new

REF.No	Part No.	Description	Q'ty	S.No.	I/C	REMARKS	Weight (kgf)	Weight (lb)
010	70764-58110	BOOM	1				0	0
020	06613-10675	NIPPLE,GREASE	2				0.003	0.0066
030	70571-56220	LABEL,KUBOTA	2				0.005	0.011
040	70760-58150	LABEL	2				0.005	0.011
040	70760-58190	LABEL	2			BF400G-C(FR)	0.01	0.022
050	70764-60110	PIPE,HYDRAULIC	1				0	0
060	70764-60130	PIPE,HYDRAULIC	1				0	0
070	70764-60150	PIPE,HYDRAULIC	1	<=16422			0	0
070	70764-60154	PIPE,HYDRAULIC	1	>=16423	←		0	0
080	70764-60170	PIPE,HYDRAULIC	1	<=16422			0	0
080	70764-60174	PIPE,HYDRAULIC	1	>=16423	←		0	0
090	06312-10030	PLUG	12				0.029	0.0638
100	70726-60190	CLAMP	2				0	0
110	01123-50825	BOLT	4				0.013	0.0286
120	70761-60210	CLAMP	1				0	0
130	01123-50818	BOLT	2				0.012	0.0264
140	70726-58410	PIN	4	<=15576			0.415	0.913
140	70726-58450	ASSY PIN	4	>=15577	↔		0.4	0.88
145	04612-00250	CIR-CLIP,EXTERNAL	4	>=15577			0.002	0.0044
160	70726-58420	PIN	4				0.49	1.078
170	70726-58440	PIN	4				0.45	0.99
180	06613-10675	NIPPLE,GREASE	4				0.003	0.0066
190	05511-50540	PIN,SPLIT	12				0.009	0.0198
210	70760-59110	BUCKET	1				0	0
220	70764-03030	EDGE,BUCKET	1				16	35.2
230	70764-59130	LABEL	1				0.001	0.0022
230	70761-59130	LABEL	1			BF400G,500-C-FR	0.005	0.011

CONTROL VALVE

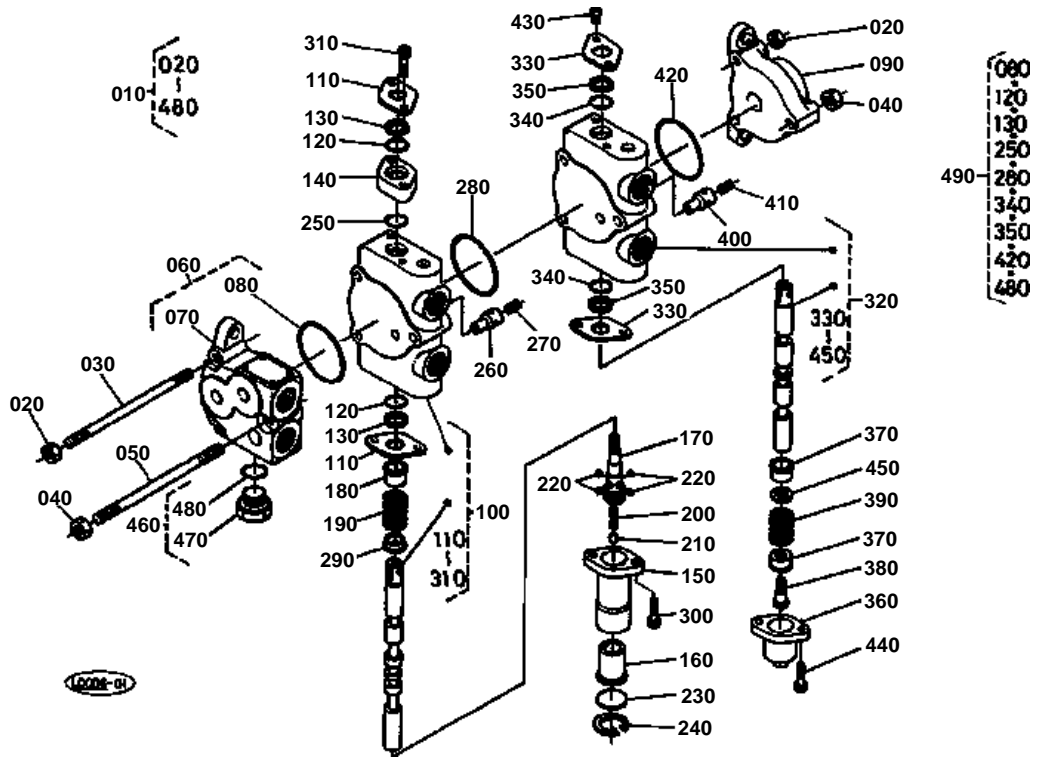


**CONTROL VALVE**

↔ Interchangeable; ≠ not interchangeable; ← new for old; → old for new

REF.No	Part No.	Description	Q'ty	S.No.	I/C	REMARKS	Weight (kgf)	Weight (lb)
010	70765-60110	FRAME,CONTROL	1				0	0
020	01173-51230	BOLT	3				0.037	0.0814
030	02174-50120	NUT	3				0.01	0.022
040	04512-50120	WASHER,SPRING	3				0.003	0.0066
050	70765-61110	VALVE,CONTROL	1			REFER TO L.No.0B07-R0 FOR COMPONENTS.	8.1	17.82
060	01173-51030	BOLT	3				0.023	0.0506
070	02118-50100	NUT	3				0.005	0.011
080	04512-50100	WASHER,SPRING	3				0	0
090	68131-61740	ADAPTER	4				0.09	0.198
100	70765-61150	ELBOW	3				0.135	0.297
110	04811-00180	RING	7				0.001	0.0022
120	70765-61190	LEVER	1				0.18	0.396
130	54841-51320	BUSH	2	<=15510			0	0
130	08511-01520	BUSH	1	>=15511	↔		0.008	0.0176
140	04011-50140	WASHER,PLAIN	1				0.007	0.0154
150	04612-00150	CIR-CLIP,EXTERNAL	1				0.001	0.0022
160	70765-61210	ROD	1				0.03	0.066
170	05122-50822	PIN,JOINT	1				0.01	0.022
180	04012-50080	WASHER,PLAIN	1				0.001	0.0022
190	05511-50215	PIN,SPLIT	1				0.001	0.0022
200	68021-32790	PIN	1				0.004	0.0088
210	04012-50050	WASHER,PLAIN	1				0.001	0.0022
220	05511-51208	PIN,SPLIT	1				0.001	0.0022
230	70765-61230	LEVER,CONTROL	1				0.49	1.078
230	70760-61230	LEVER,CONTROL	1			BF400G,500-C-(FR)	0.51	1.122
240	66711-42310	GRIP,LEVER	1				0.033	0.0726
250	05112-51250	PIN,JOINT	1				0.05	0.11
260	04011-50120	WASHER,PLAIN	1				0.005	0.011
270	05511-50425	PIN,SPLIT	1				0.003	0.0066
280	68551-33250	JOINT	1				0.067	0.1474
290	70765-61250	COLLAR	1				0.001	0.0022
300	04612-00100	CIR-CLIP,EXTERNAL	1				0.001	0.0022
310	70765-61270	ROD	1				0.026	0.0572
320	02114-50100	NUT	1				0.005	0.011
330	68021-32790	PIN	1				0.004	0.0088
340	04012-50050	WASHER,PLAIN	1				0.001	0.0022
350	05511-51208	PIN,SPLIT	1				0.001	0.0022
360	70761-61290	COVER	1				0	0
370	01123-50820	BOLT	3				0.011	0.0242
380	70765-56150	LABEL,LEVER CONTROL	1				0.001	0.0022
380	70761-56230	LABEL,LEVER CONTROL	1			BF400G,500-C-FR	0.005	0.011
390	70761-61300	ASSY LIMITER, LEVER	1				0.13	0.286
400	01123-50816	BOLT	2				0.011	0.0242
410	04012-50080	WASHER,PLAIN	2				0.001	0.0022
420	70761-61350	CUSHION	2				0.002	0.0044

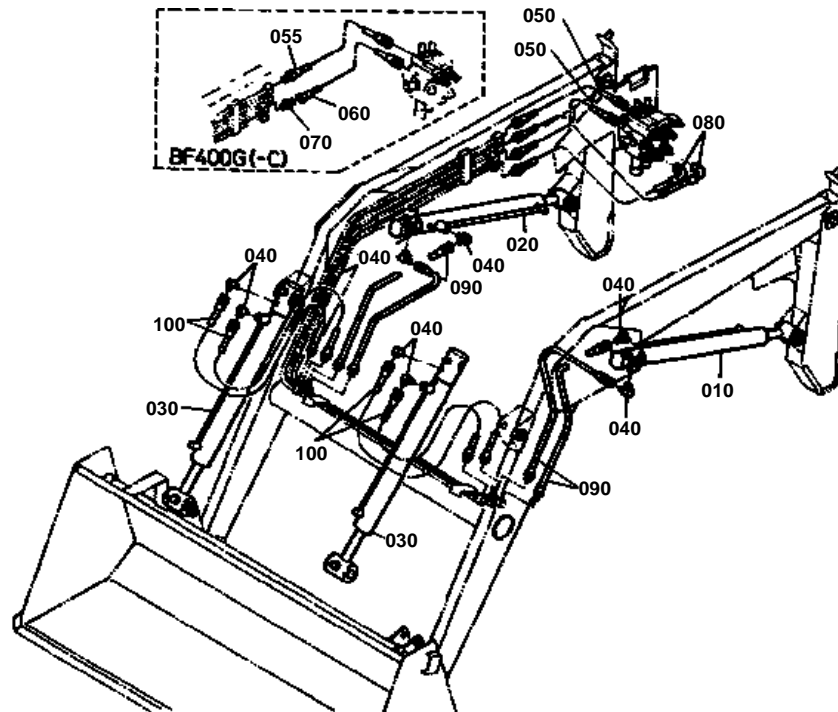
CONTROL VALVE [COMPONENT PARTS]



**CONTROL VALVE [COMPONENT PARTS]**

↔ Interchangeable; ≠ not interchangeable; ← new for old; → old for new

REF.No	Part No.	Description	Q'ty	S.No.	I/C	REMARKS	Weight (kgf)	Weight (lb)
010	70765-61110	VALVE,CONTROL	1				8.1	17.82
020	70765-78010	NUT	4				0.045	0.099
030	70765-78020	ROD,TIE	2				0.05	0.11
040	70765-78030	NUT	2				0.008	0.0176
050	70765-78040	ROD,TIE	1				0.095	0.209
060	70765-78050	ASSY SECTION,INLET	1				1.4	3.08
070	70765-78100	HOUSING,INLET	1				1.4	3.08
080	70765-78250	O RING	1				0.003	0.0066
090	70765-78060	SECTION,OUTLET	1				1.5	3.3
100	70765-78070	ASSY SECTION,SPOOL	1				2.5	5.5
110	70765-78300	PLATE,SEAL	2				0.013	0.0286
120	70765-78210	O RING	2				0.001	0.0022
130	70765-78230	WIPER	2				0.001	0.0022
140	70765-78310	SPACER	1				0.08	0.176
150	70765-78320	CAP	1				0.073	0.1606
160	70765-78330	SLEEVE	1				0.03	0.066
170	70765-78340	PIN	1				0.03	0.066
180	70765-78350	SEAT,SPRING	1				0.001	0.0022
190	70765-78360	SPRING	1				0.012	0.0264
200	70765-78370	SPRING	1				0.001	0.0022
210	70726-67170	BALL,STAINLESS	1				0.002	0.0044
220	70726-67180	BALL,STAINLESS	4				0.001	0.0022
230	70726-67190	SPACER	1				0.006	0.0132
240	70726-67200	RING,SNAP	1				0.004	0.0088
250	70765-78270	O RING	1				0.001	0.0022
260	70765-78380	POPPET	1				0.002	0.0044
270	70765-78390	SPRING	1				0.001	0.0022
280	70765-78250	O RING	1				0.003	0.0066
290	70765-78400	SEAT,SPRING	1				0.01	0.022
300	70765-78410	BOLT,SOCKET HEAD	2				0.01	0.022
310	70765-78420	BOLT,SOCKET HEAD	2				0.002	0.0044
320	70765-78080	ASSY SECTION,PLUNGER	1				2.39	5.258
330	70765-78300	PLATE,SEAL	2				0.013	0.0286
340	70765-78210	O RING	2				0.001	0.0022
350	70765-78230	WIPER	2				0.001	0.0022
360	70765-78430	CAP	1				0.034	0.0748
370	70765-78440	SEAT,SPRING	2				0.001	0.0022
380	70765-78450	SCREW,CAP	1				0.002	0.0044
390	70765-78360	SPRING	1				0.012	0.0264
400	70765-78460	POPPET	1				0.002	0.0044
410	70765-78390	SPRING	1				0.001	0.0022
420	70765-78250	O RING	1				0.003	0.0066
430	70765-78470	SCREW,ROUND HEAD	2				0.003	0.0066
440	70765-78410	BOLT,SOCKET HEAD	2				0.01	0.022
450	70765-78480	WASHER	1				0.001	0.0022
460	70765-78090	ASSY PLUG	1				0.063	0.1386
470	70765-78110	PLUG	1				0.07	0.154
480	70765-78290	O RING	1				0.001	0.0022
490	70765-99500	KIT SEAL,VALVE	1				0.015	0.033

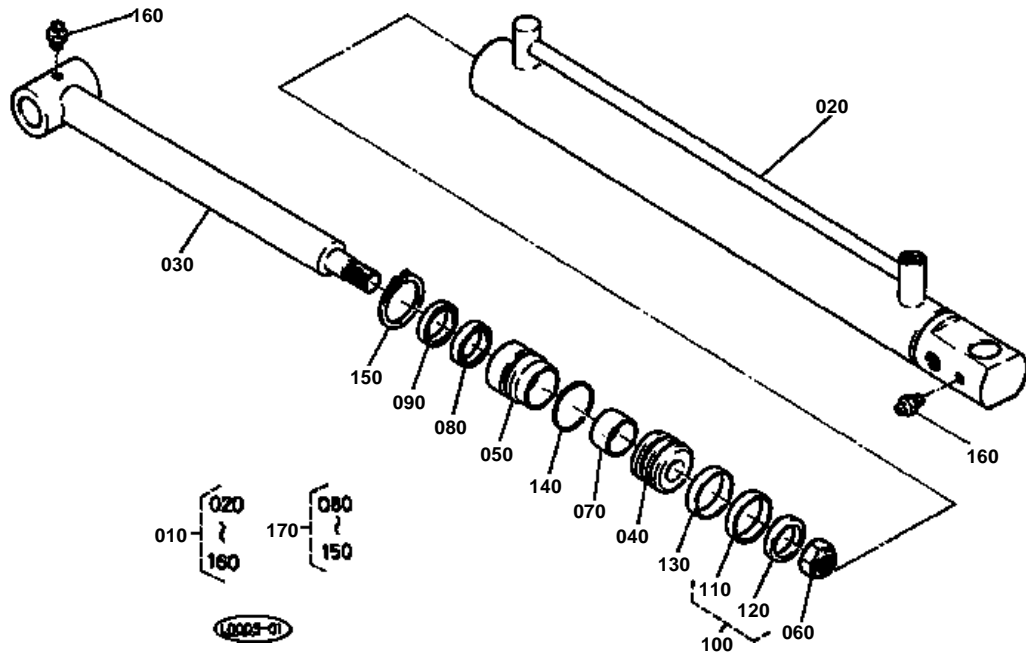


**CYLINDER/HYDRAULIC OIL LINE**

↔ Interchangeable; ≠ not interchangeable; ← new for old; → old for new

REF.No	Part No.	Description	Q'ty	S.No.	I/C	REMARKS	Weight (kgf)	Weight (lb)
010	70764-62510	CYLINDER,LH	1			REFER TO L.No.0B09-R0 FOR COMPONENTS. REFER TO L.No.0B10-R0 FOR COMPONENTS. REFER TO L.No.0B11-R0 FOR COMPONENTS.	0	0
020	70764-62530	CYLINDER,RH	1				0	0
030	70726-63135	CYLINDER	2				0	0
040	70726-63150	ELBOW	8				0.085	0.187
055	70760-62670	HOSE, HYDRAULIC	1				0.315	0.693
060	70760-62610	HOSE, HYDRAULIC	1				0.33	0.726
070	70760-62620	THROTTLE	1				0.06	0.132
080	70765-62590	HOSE, HYDRAULIC	2				0.35	0.77
090	70726-62110	HOSE, HYDRAULIC	4				0.28	0.616
100	70764-62130	HOSE, HYDRAULIC	4				0.245	0.539

CYLINDER (BOOM) LH [COMPONENT PARTS]

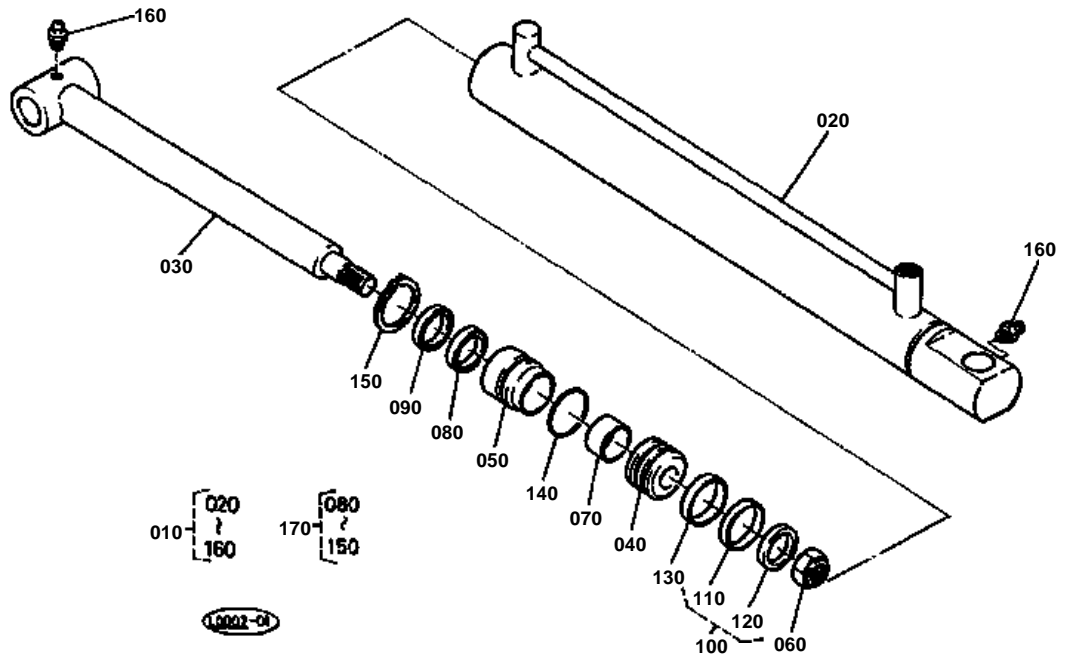


**CYLINDER (BOOM) LH [COMPONENT PARTS]**

↔ Interchangeable; ≠ not interchangeable; ← new for old; → old for new

REF.No	Part No.	Description	Q'ty	S.No.	I/C	REMARKS	Weight (kgf)	Weight (lb)
010	70764-62510	CYLINDER,LH	1				0	0
020	70764-75210	COMP.TUBE,CYLINDER	1				5.9	12.98
030	70726-75020	COMP.ROD,CYLINDER	1				3.6	7.92
040	70726-75030	PISTON	1				0.25	0.55
050	70726-75040	END	1				0.19	0.418
060	70726-65150	U-NUT	1				0.05	0.11
060	70726-65260	NUT,LOCK	1		↔		0.04	0.088
070	70726-65160	BUSH	1				0.035	0.077
080	70726-65170	GASKET	1				0.005	0.011
090	70726-65180	SEAL,DUST	1				0.004	0.0088
100	70726-65190	GASKET,PISTON	1				0.005	0.011
110	70726-65242	SEALING	1				0.005	0.011
120	70726-65250	SQUARE RING	1				0.005	0.011
130	70726-65200	WEARING	1				0.005	0.011
140	04810-50400	RING	1				0.001	0.0022
150	70726-65220	CIR-CLIP	1				0.005	0.011
160	06613-10010	NIPPLE,GREASE	2				0.006	0.0132
170	70726-68010	KIT SEAL,CYLINDER	1				0.04	0.088

CYLINDER (BOOM) RH [COMPONENT PARTS]

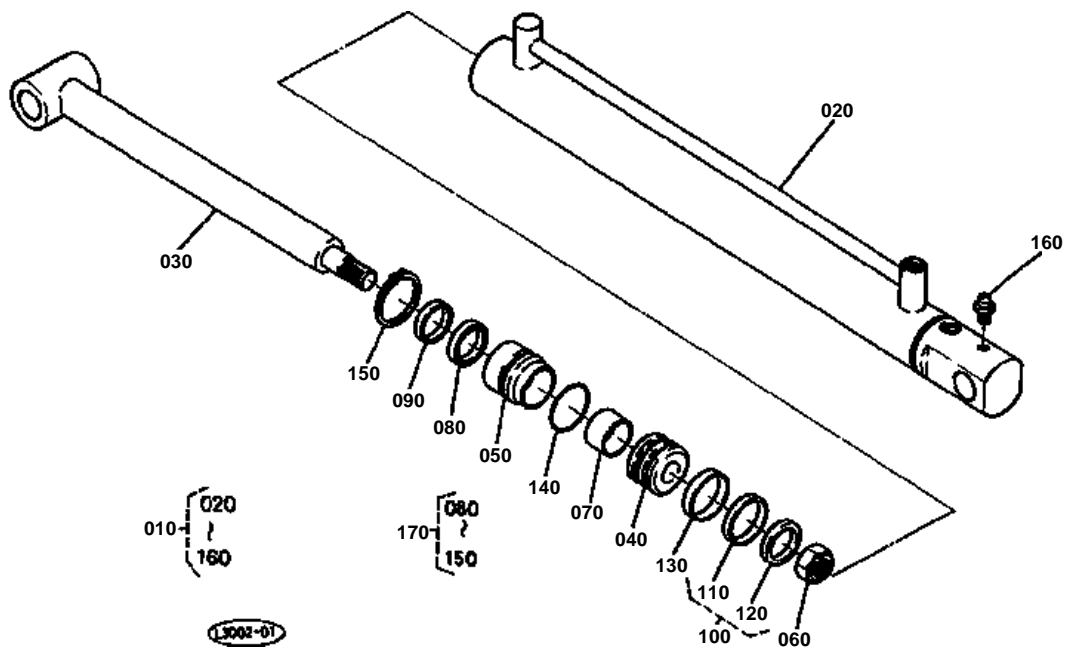


**CYLINDER (BOOM) RH [COMPONENT PARTS]**

↔ Interchangeable; ≠ not interchangeable; ← new for old; → old for new

REF.No	Part No.	Description	Q'ty	S.No.	I/C	REMARKS	Weight (kgf)	Weight (lb)
010	70764-62530	CYLINDER,RH	1				0	0
020	70764-75310	COMP.TUBE,CYLINDER	1				0	0
030	70726-75020	COMP.ROD,CYLINDER	1				3.6	7.92
040	70726-75030	PISTON	1				0.25	0.55
050	70726-75040	END	1				0.19	0.418
060	70726-65150	U-NUT	1				0.05	0.11
060	70726-65260	NUT,LOCK	1		↔		0.04	0.088
070	70726-65160	BUSH	1				0.035	0.077
080	70726-65170	GASKET	1				0.005	0.011
090	70726-65180	SEAL,DUST	1				0.004	0.0088
100	70726-65190	GASKET,PISTON	1				0.005	0.011
110	70726-65242	SEALING	1				0.005	0.011
120	70726-65250	SQUARE RING	1				0.005	0.011
130	70726-65200	WEARING	1				0.005	0.011
140	04810-50400	RING	1				0.001	0.0022
150	70726-65220	CIR-CLIP	1				0.005	0.011
160	06613-10010	NIPPLE,GREASE	2				0.006	0.0132
170	70726-68010	KIT SEAL,CYLINDER	1				0.04	0.088

CYLINDER (BUCKET) [COMPONENT PARTS]

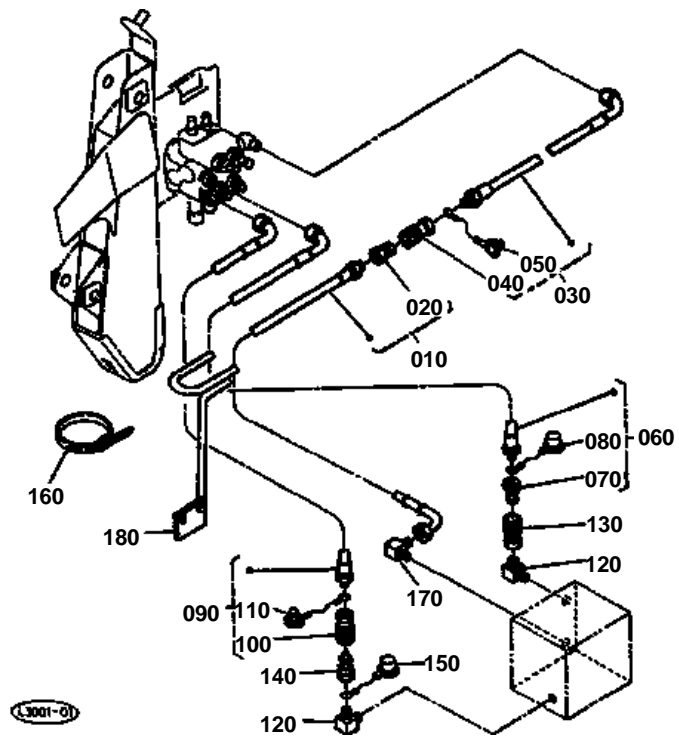


**CYLINDER (BUCKET) [COMPONENT PARTS]**

↔ Interchangeable; ≠ not interchangeable; ← new for old; → old for new

REF.No	Part No.	Description	Q'ty	S.No.	I/C	REMARKS	Weight (kgf)	Weight (lb)
010	70726-63135	CYLINDER	2				0	0
020	70726-75010	COMP.TUBE,CYLINDER	2				0	0
030	70726-75120	COMP.ROD,CYLINDER	2				0	0
040	70726-75030	PISTON	2				0.25	0.55
050	70726-75140	END	2				0.25	0.55
060	70726-65150	U-NUT	2				0.05	0.11
060	70726-65260	NUT,LOCK	2		↔		0.04	0.088
070	70726-66160	BUSH	2				0.019	0.0418
080	70726-66170	GASKET	2				0.001	0.0022
090	70726-66180	SEAL,DUST	2				0.004	0.0088
100	70726-65190	GASKET,PISTON	2				0.005	0.011
110	70726-65242	SEALING	2				0.005	0.011
120	70726-65250	SQUARE RING	2				0.005	0.011
130	70726-65200	WEARING	2				0.005	0.011
140	04810-50400	RING	2				0.001	0.0022
150	70726-65220	CIR-CLIP	2				0.005	0.011
160	06613-10010	NIPPLE,GREASE	2				0.006	0.0132
170	70726-68020	KIT SEAL,CYLINDER	2				0.025	0.055

HYDRAULIC OIL LINE



**HYDRAULIC OIL LINE**

↔ Interchangeable; ≠ not interchangeable; ← new for old; → old for new

REF.No	Part No.	Description	Q'ty	S.No.	I/C	REMARKS	Weight (kgf)	Weight (lb)
010	70761-62620	ASSY HOSE,HYDRAULIC	1				0.4	0.88
020	70726-63520	COUPLER,MALE	1				0.065	0.143
030	70761-62640	ASSY HOSE,HYDRAULIC	1				0.45	0.99
040	70726-63560	COUPLER,FEMALE	1				0.17	0.374
050	70726-63540	PLUG,COUPLER	1				0.005	0.011
060	70761-62660	ASSY HOSE,HYDRAULIC	1				0.4	0.88
070	70726-63520	COUPLER,MALE	1				0.065	0.143
080	70726-63660	CAP,COUPLER	1				0.005	0.011
090	70760-62650	ASSY HOSE,HYDRAULIC	1				0.5	1.1
100	70726-63560	COUPLER,FEMALE	1				0.17	0.374
110	70726-63540	PLUG,COUPLER	1				0.005	0.011
120	68051-68710	ADAPTER	2				0.08	0.176
130	70726-63560	COUPLER,FEMALE	1				0.17	0.374
140	70726-63520	COUPLER,MALE	1				0.065	0.143
150	70726-63660	CAP,COUPLER	1				0.005	0.011
160	70726-63580	BAND	2				0.005	0.011
170	70726-63150	ELBOW	1				0.085	0.187
180	70761-62890	HOLDER,HOSE	1	≤15708			0	0
180	70761-62894	HOLDER,HOSE	1	≥15709	←		0.3	0.66
190	70726-99710	O RING	1			FOR REF.No.040,100,130	0.005	0.011

IMAGE NOT AVAILABLE



ACCESSORIES AND SERVICE PARTS

↔ Interchangeable; ≠ not interchangeable; ← new for old; → old for new

REF.No	Part No.	Description	Q'ty	S.No.	I/C	REMARKS	Weight (kgf)	Weight (lb)
010	70761-63314	MANUAL,INSTRUCTION	1				0	0
010	70761-63330	MANUAL,INSTRUCTION	1			BF400G,500-C-FR	0.095	0.209
020	99891-24930	TAPE,SEAL	1				0.01	0.022
030	70726-63750	MARK,COLOR	4				0.003	0.0066
040	70726-63760	MARK,WHITE	4				0.001	0.0022
050	70726-63770	MARK,YELLOW	4				0.001	0.0022
060	70726-63780	MARK,BLUE	4				0.001	0.0022
070	70726-63790	MARK,RED	4				0.001	0.0022