

# Instructions for Parts Books

The heading at the top of the page will be the same for the picture of the parts as it is for the page with the part numbers.

Definition of column headings on part number pages:

**REF.No** → The number referring to the part on the picture page of the parts book.

**Part No.** → The number assigned to this part at the time of printing the parts book.

**Description** → Description of part.

**Q'ty** → Quantity of part used on that page.

**S.No.** → Serial number range of the equipment that this part will fit.

>= Your serial number should be greater than or equal to the number shown.

<= Your serial number should be lesser than or equal to the serial number shown.

**I/C** → Interchangeability of part shown.

↔ The part shown will work for the older and later serial number.

# The part shown is not interchangeable with the other serial number.

← new for old

→ old for new

**Remarks** → Notes about this particular part. Sometimes this may say except [FR] or [CA]

## Note about Country Codes:

The parts books we use in the United States of America may also contain information about a part that would be different in another country. It is important that you are aware of the country codes in some instances.

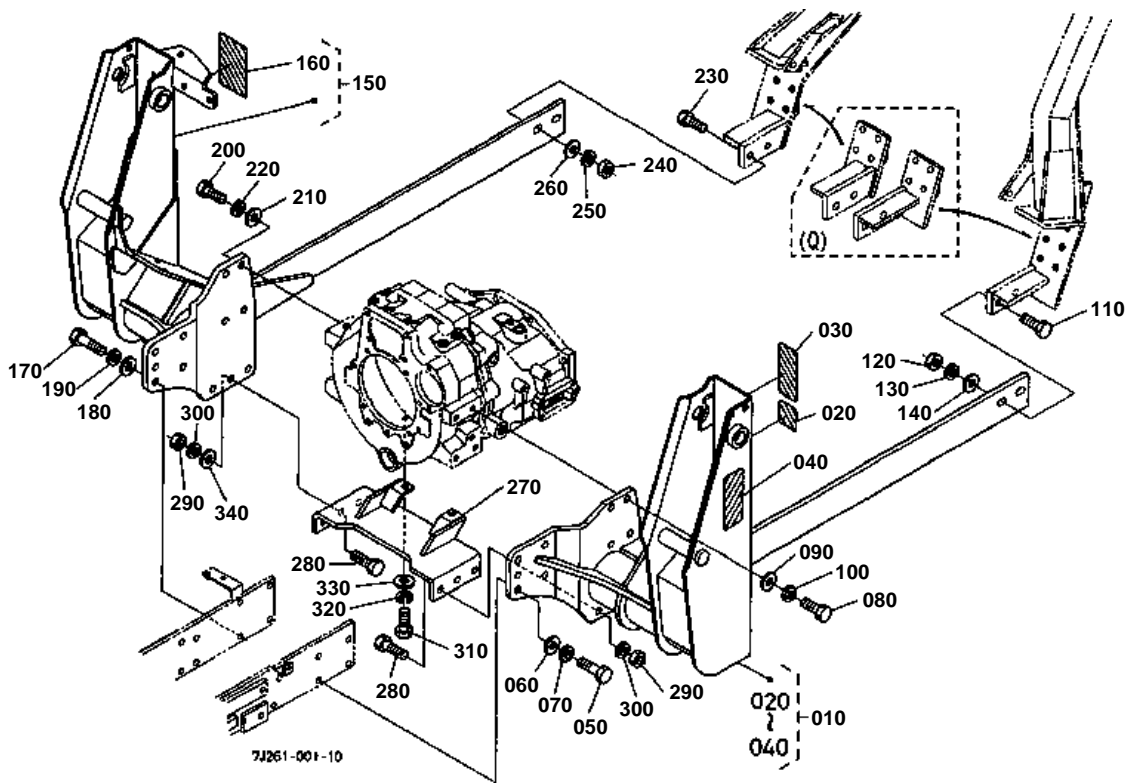
Symbol	Country
A	United States of America
CA	Canada
FR	France
GR	Greece
PO	Portugal
AU	Australia

If the remarks column says for example EXCEPT [FR] this part works in all countries except France. That means it will work here in the USA.

# Kubota LA852 Loader

Part No.		Book
01A001	MAIN FRAME	100A0073
01A005	SIDE FRAME	100A0073
01A010	BOOM	100A0073
01A02501	BUCKET	100A0073
01A02502	BUCKET ROUND [OPTION]	100A0073
01B00101	CONTROL VALVE	100A0073
01B00102	CONTROL VALVE	100A0073
01B005	CONTROL VALVE [COMPONENT PARTS]	100A0073
01B01301	CONTROL LEVER	100A0073
01B01302	CONTROL LEVER	100A0073
01B015	CYLINDER / HYDRAULIC HOSE	100A0073
01B016	HYDRAULIC BLOCK OIL LINE	100A0073
01B020	HYDRAULIC TUBE	100A0073
01B025	CYLINDER (BOOM) [COMPONENT PARTS]	100A0073
01B035	CYLINDER (BUCKET) [COMPONENT PARTS]	100A0073
01C001	QUICK HITCH [OPTION]	100A0073
01C005	INDICATOR (L1738) [OPTION]	100A0073
01D001	ACCESSORIES AND SERVICE PARTS	100A0073

MAIN FRAME

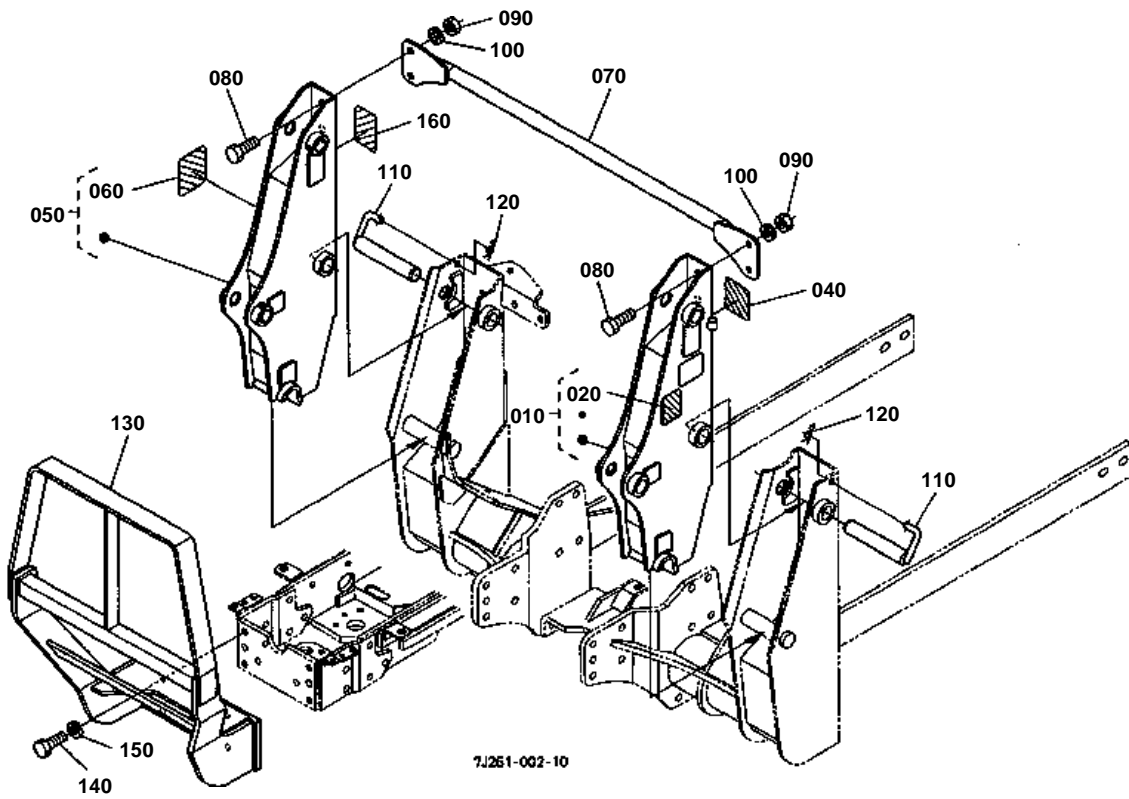


**MAIN FRAME**

↔ Interchangeable; ≠ not interchangeable; ← new for old; → old for new

REF.No	Part No.	Description	Q'ty	S.No.	I/C	REMARKS	Weight (kgf)	Weight (lb)
010	7J261-90110	FRAME MAIN LH(LABEL)	1				0	0
020	75567-56422	LABEL DANGER	1				0	0
030	75546-56430	LABEL DANGER	1				0	0
040	75546-56450	LABEL CAUTION	1				0	0
050	01073-51645	BOLT	5			(P1.50B24)	0.1	0.22
060	75599-32517	WASHER PLAIN	5			(5/8HD)	0	0
070	75599-33017	WASHER SPRING LOCK	5			(5/8)	0	0
080	01176-51440	BOLT	4			(P1.50B22)	0.061	0.1342
090	75599-32516	WASHER PLAIN	4			(9/16HD)	0	0
100	75599-33016	WASHER SPRING LOCK	4			(9/16)	0.08	0.176
110	75599-04745	HEX.BOLT	2			(5/8-18UNF*2-1/4)	0	0
120	75599-31067	HEX.NUT	2			(5/8-18UNF)	0	0
130	75599-33017	WASHER SPRING LOCK	2			(5/8)	0	0
140	75599-32517	WASHER PLAIN	2			(5/8HD)	0	0
150	7J261-90120	FRAME MAIN RH(LABEL)	1				0	0
160	75546-56415	LABEL DANGER	1				0	0
170	01073-51645	BOLT	5			(P1.50B24)	0.1	0.22
180	75599-32517	WASHER PLAIN	5			(5/8HD)	0	0
190	75599-33017	WASHER SPRING LOCK	5			(5/8)	0	0
200	01176-51440	BOLT	4			(P1.50B22)	0.061	0.1342
210	75599-32516	WASHER PLAIN	4			(9/16HD)	0	0
220	75599-33016	WASHER SPRING LOCK	4			(9/16)	0.08	0.176
230	75599-04745	HEX.BOLT	2			(5/8-18UNF*2-1/4)	0	0
240	75599-31067	HEX.NUT	2			(5/8-18UNF)	0	0
250	75599-33017	WASHER SPRING LOCK	2			(5/8)	0	0
260	75599-32517	WASHER PLAIN	2			(5/8HD)	0	0
270	7J261-55910	CONNECTOR	1				0	0
280	75599-04640	HEX.BOLT	6			(9/16-18UNF*2)	0	0
290	75599-31066	HEX.NUT	6			(9/16-18UNF)	0	0
300	75599-33016	WASHER SPRING LOCK	6			(9/16)	0.08	0.176
310	01073-51230	BOLT	2			(P1.25B19)	0.041	0.0902
320	04512-50120	WASHER SPRING	2				0.003	0.0066
330	75599-32515	WASHER PLAIN	2			(1/2HD)	0	0
340	75599-32516	WASHER PLAIN	6			(9/16HD)	0	0

SIDE FRAME

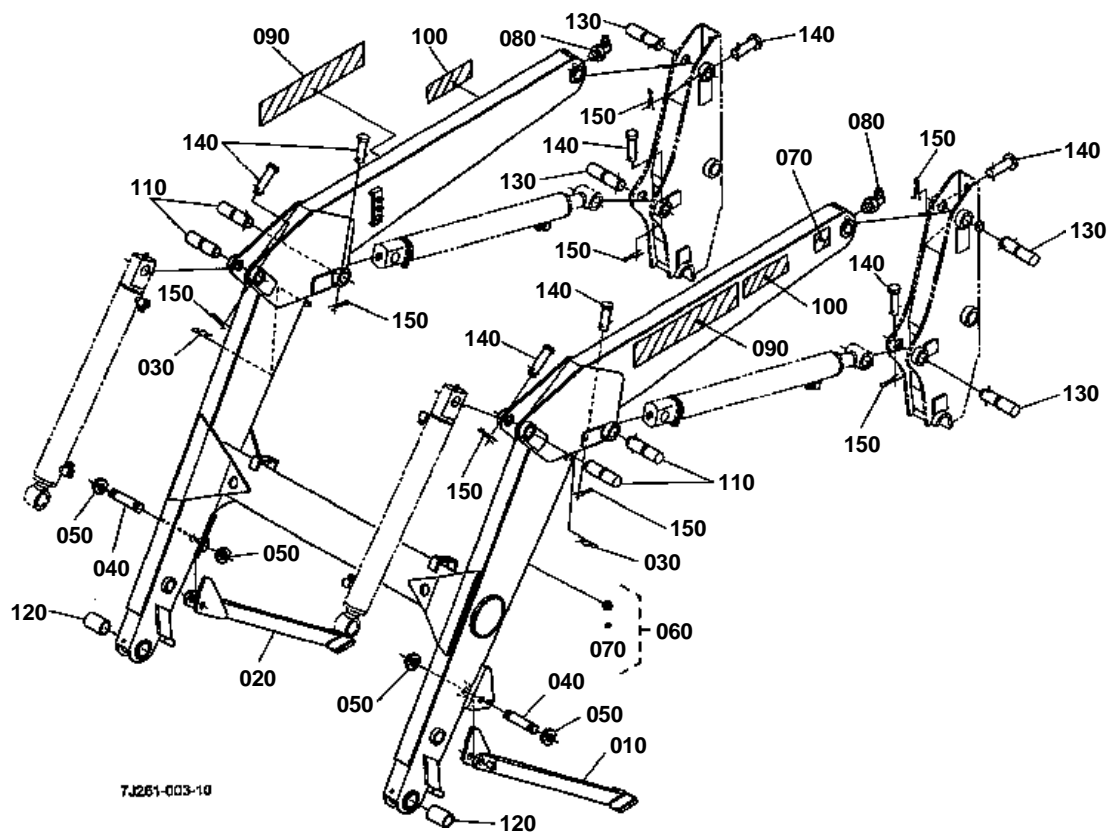


**SIDE FRAME**

↔ Interchangeable; ≠ not interchangeable; ← new for old; → old for new

REF.No	Part No.	Description	Q'ty	S.No.	I/C	REMARKS	Weight (kgf)	Weight (lb)
010	7J261-90130	FRAME SIDE LH(LABEL)	1				0	0
020	75546-56440	LABEL WARNING	1				0	0
040	75580-56370	LABEL LUBRICATE	1				0	0
050	7J261-90140	FRAME SIDE RH(LABEL)	1				0	0
060	75546-56440	LABEL WARNING	1				0	0
070	7J261-56710	CONNECTOR SIDE FRAME	1				0	0
080	75599-04620	HEX.BOLT	4			(9/16-18UNF*1.00)	0	0
090	75599-31066	HEX.NUT	4			(9/16-18UNF)	0	0
100	75599-33016	WASHER SPRING LOCK	4			(9/16)	0.08	0.176
110	7J261-56810	PIN MOUNT	2				0	0
120	75599-56006	HAIRPIN COTTER	2				0	0
130	7J261-57810	GUARD FRONT	1				0	0
140	01073-51440	BOLT	4			(P1.50B22)	0.069	0.1518
150	75599-33016	WASHER SPRING LOCK	4			(9/16)	0.08	0.176
160	75540-62362	LABEL CONTROL	1				0	0

BOOM



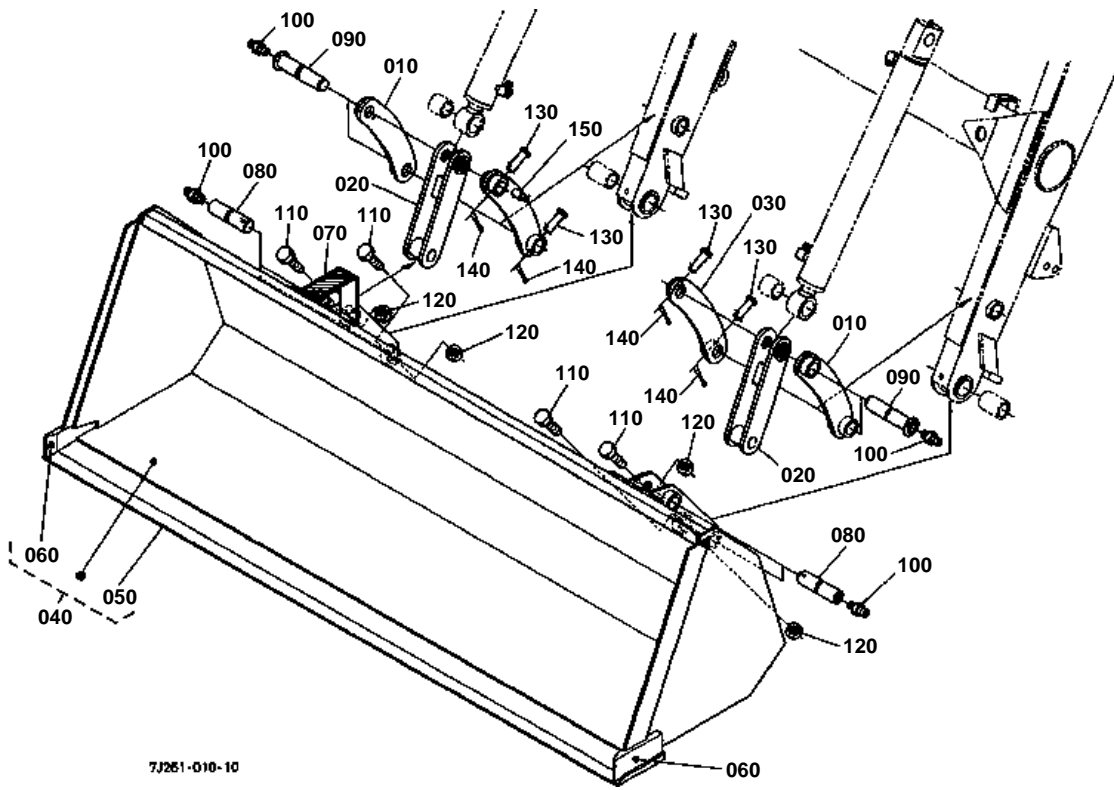
**BOOM**

↔ Interchangeable; ≠ not interchangeable; ← new for old; → old for new

REF.No	Part No.	Description	Q'ty	S.No.	I/C	REMARKS	Weight (kgf)	Weight (lb)
010	7J260-57550	STAND LH	1				0	0
020	7J260-57560	STAND RH	1				0	0
030	75595-11550	PIN SPRING LOCK	2				0	0
040	7J240-57650	PIN	2				0	0
050	75599-41525	CIR-CRIP EXTERNAL	4			(3/4)	0	0
060	7J261-90150	BOOM(LABEL)	1				0	0
070	75546-56470	LABEL CAUTION	2				0	0
080	75532-63470	FITTING GREASE	2			(90DEG.)	0	0
090	75580-58452	LABEL KUBOTA	2				0	0
100	7J261-58460	LABEL LA852	2				0	0
110	7J261-58510	PIN 1	4				0	0
120	7J261-58720	BUSHING 1	2				0	0
130	7J261-58740	PIN 4	4				0	0
140	75582-58520	PIN CLEVIS	8			(5/16*2 3/16)	0	0
150	75599-53172	PIN COTTER	8			(1/8*3/4)	0	0



# BUCKET

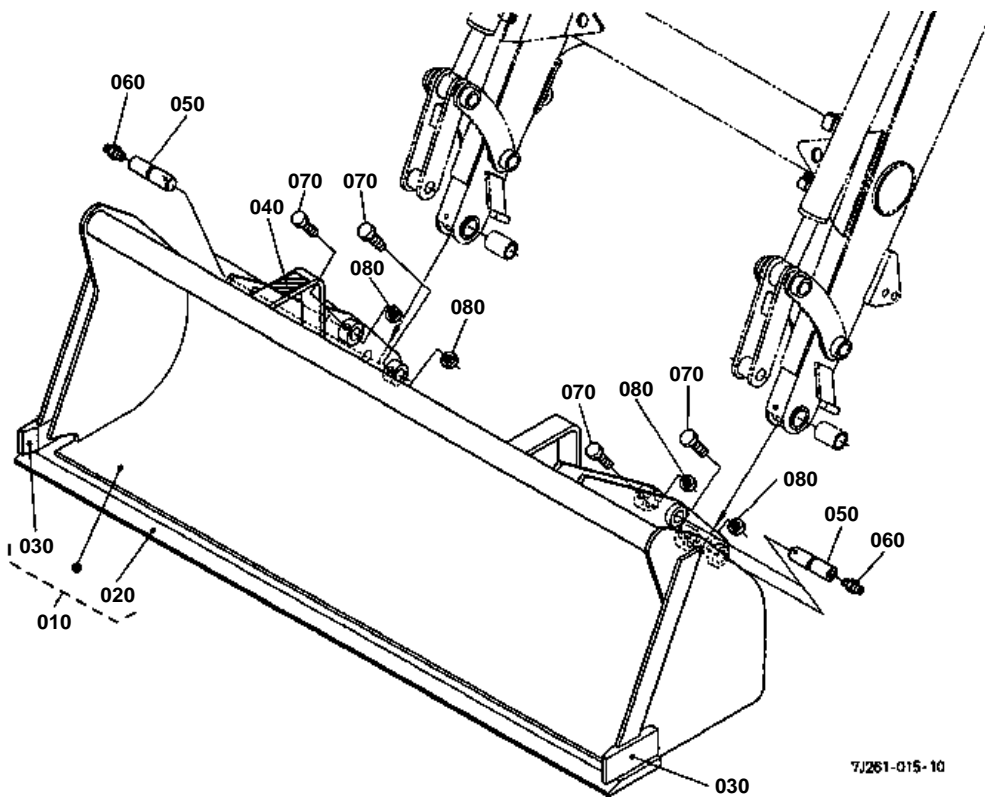


7J261-010-10

**BUCKET**

↔ Interchangeable; ≠ not interchangeable; ← new for old; → old for new

REF.No	Part No.	Description	Q'ty	S.No.	I/C	REMARKS	Weight (kgf)	Weight (lb)
010	7J261-58800	COMP.LINK 1	2				0	0
020	7J261-58820	COMP.LINK 2	2				0	0
030	7J261-58900	COMP.LINK 3	1				0	0
040	7J261-59010	BUCKET	1			(72)	0	0
050	75565-59320	EDGE 1 CUTTING	1				0	0
060	75565-59330	EDGE 2 CUTTING	2				0	0
070	75540-59450	LABEL LEVELER	1				0	0
080	7J261-58710	PIN 3	4				0	0
090	7J261-58780	PIN 7	4				0	0
100	75599-81521	FITTING GREASE	8			(1/4-28T.T.)	0	0
110	75599-03250	HEX.BOLT	4			(5/16-18UNC*2-1/2)	0	0
120	75599-31912	NUT LOCKING	4			(5/16-18UNC)	0	0
130	75582-58520	PIN CLEVIS	4			(5/16*2 3/16)	0	0
140	75599-53172	PIN COTTER	4			(1/8*3/4)	0	0
150	7J261-58960	COMP.LINK 4	1				0	0

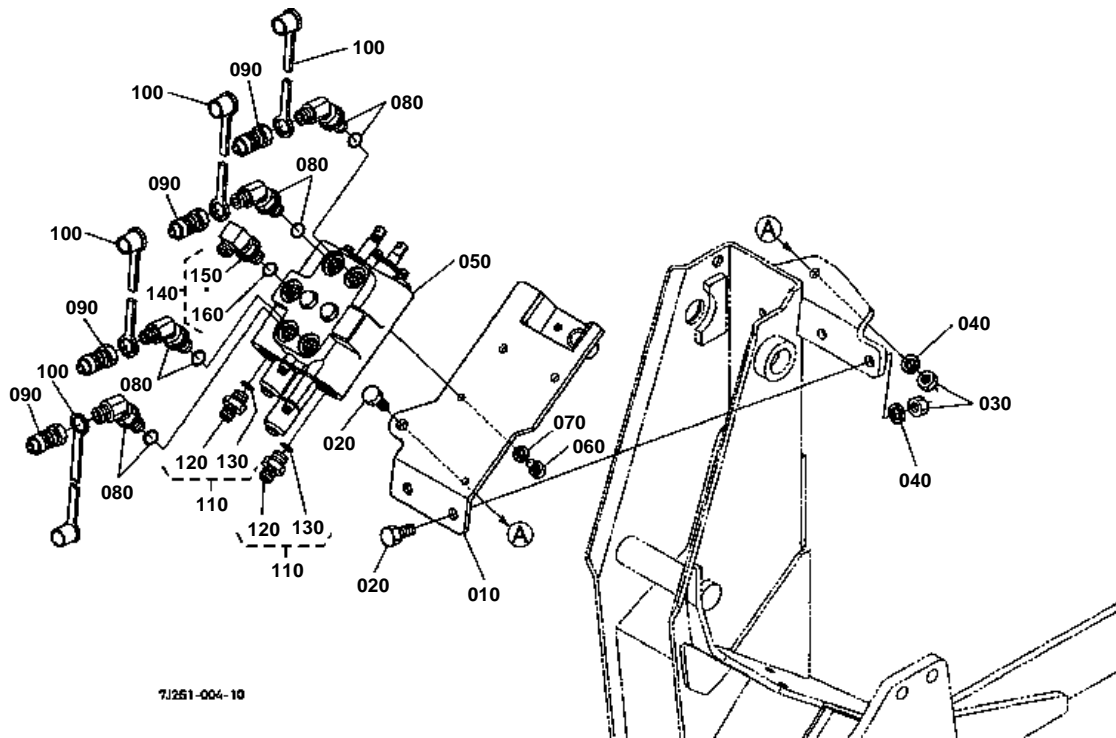


**BUCKET ROUND [OPTION]**

↔ Interchangeable; ≠ not interchangeable; ← new for old; → old for new

REF.No	Part No.	Description	Q'ty	S.No.	I/C	REMARKS	Weight (kgf)	Weight (lb)
010	7J261-79010	BUCKET	1			(72H)	0	0
020	75565-59320	EDGE 1 CUTTING	1				0	0
030	75565-59330	EDGE 2 CUTTING	2				0	0
040	75540-59450	LABEL LEVELER	2				0	0
050	7J261-58710	PIN 3	4				0	0
060	75599-81521	FITTING GREASE	4			(1/4-28T.T.)	0	0
070	75599-03250	HEX.BOLT	4			(5/16-18UNC*2-1/2)	0	0
080	75599-31912	NUT LOCKING	4			(5/16-18UNC)	0	0

# CONTROL VALVE



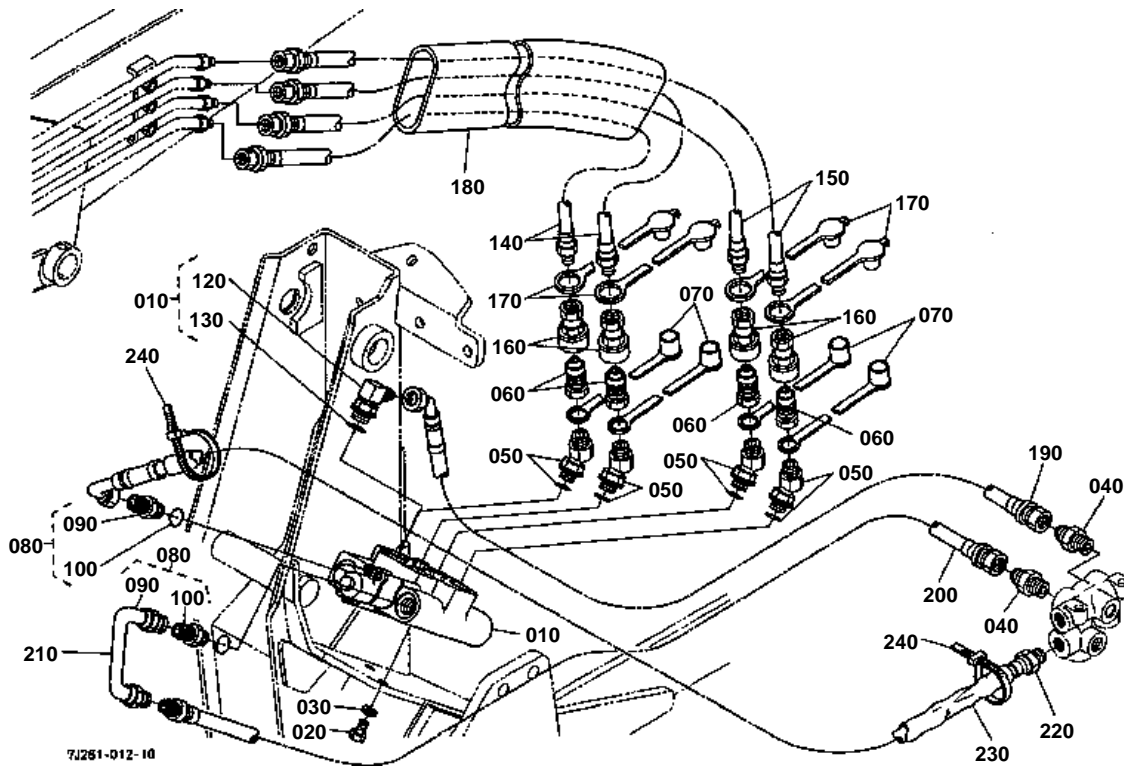


**CONTROL VALVE**  
[STANDARD VALVE TYPE]

↔ Interchangeable; ≠ not interchangeable; ← new for old; → old for new

REF.No	Part No.	Description	Q'ty	S.No.	I/C	REMARKS	Weight (kgf)	Weight (lb)
010	7J261-61110	STAY VALVE	1				0	0
020	75599-03525	HEX.BOLT	3			(1/2-13UNC*1-1/4)	0	0
030	75599-31015	HEX.NUT	3			(1/2-13UNC)	0	0
040	75599-33015	WASHER SPRING LOCK	3			(1/2)	0	0
050	7J240-61010	VALVE CONTROL	1			REFER TO L.No.B05-L FOR COMPONENTS.	0	0
060	75599-01115	HEX.BOLT	2			(1/4-20UNC*3/4)	0	0
070	75599-33011	WASHER SPRING LOCK	2			(1/4)	0	0
080	75553-71810	ELBOW 45	4				0	0
090	75540-66220	NIPPLE	4				0	0
100	75540-66430	CAP DUST	4				0	0
110	75580-61800	ASSY ADAPTER 1	2				0	0
120	75580-61810	ADAPTER 1	2				0	0
130	75540-61820	O-RING	2				0	0
140	75560-61950	ASSY ELBOW 2 ADJUST.	1				0	0
150	75560-61960	ELBOW 2 ADJUSTABLE	1				0	0
160	75540-61820	O-RING	1				0	0

# CONTROL VALVE





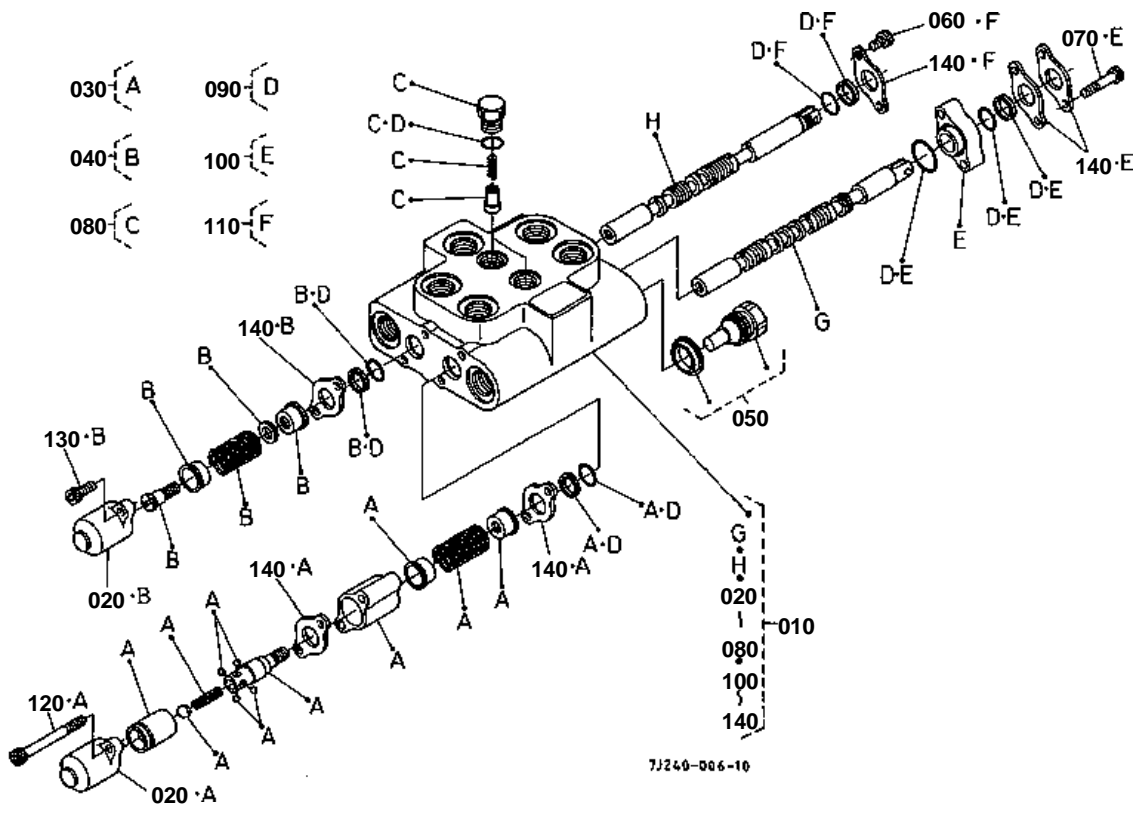
**CONTROL VALVE**  
[REMOTE VALVE TYPE]

↔ Interchangeable; ≠ not interchangeable; ← new for old; → old for new

REF.No	Part No.	Description	Q'ty	S.No.	I/C	REMARKS	Weight (kgf)	Weight (lb)
010	7J240-61010	VALVE CONTROL	1			REFER TO L.No.B05-L FOR COMPONENTS. (1/4-20UNC*3/4) (1/4)	0	0
020	75599-01115	HEX.BOLT	2				0	0
030	75599-33011	WASHER SPRING LOCK	2				0	0
040	75582-66810	ADAPTER	2				0	0
050	75553-71810	ELBOW	4				0	0
060	75540-66220	NIPPLE	4				0	0
070	75540-66430	CAP DUST	4				0	0
080	75580-61800	ASSY ADAPTER	2				0	0
090	75580-61810	ADAPTER	2				0	0
100	75540-61820	O-RING	2				0	0
110	75560-61950	ASSY ELBOW 2 ADJUST.	1				0	0
120	75560-61960	ELBOW 2 ADJUSTABLE	1				0	0
130	75540-61820	O-RING	1				0	0
140	7J261-76110	HOSE 1 HYDRAULIC	2				0	0
150	7J261-76120	HOSE 2 HYDRAULIC	2				0	0
160	75540-66320	COUPLER	4				0	0
170	75540-66330	PLUG DUST	4				0	0
180	75590-64580	SLEEVE	1				0	0
190	7J261-76210	HOSE 4 HYDRAULIC	1				0	0
200	7J261-76410	HOSE 6 HYDRAULIC	1				0	0
210	7J240-76430	TUBE PUMP	1				0	0
220	7J261-76510	HOSE 7 HYDRAULIC	1				0	0
230	7J240-76550	SLEEVE	1				0	0
240	75590-64650	BAND CODE	2				0	0



CONTROL VALVE [COMPONENT PARTS]



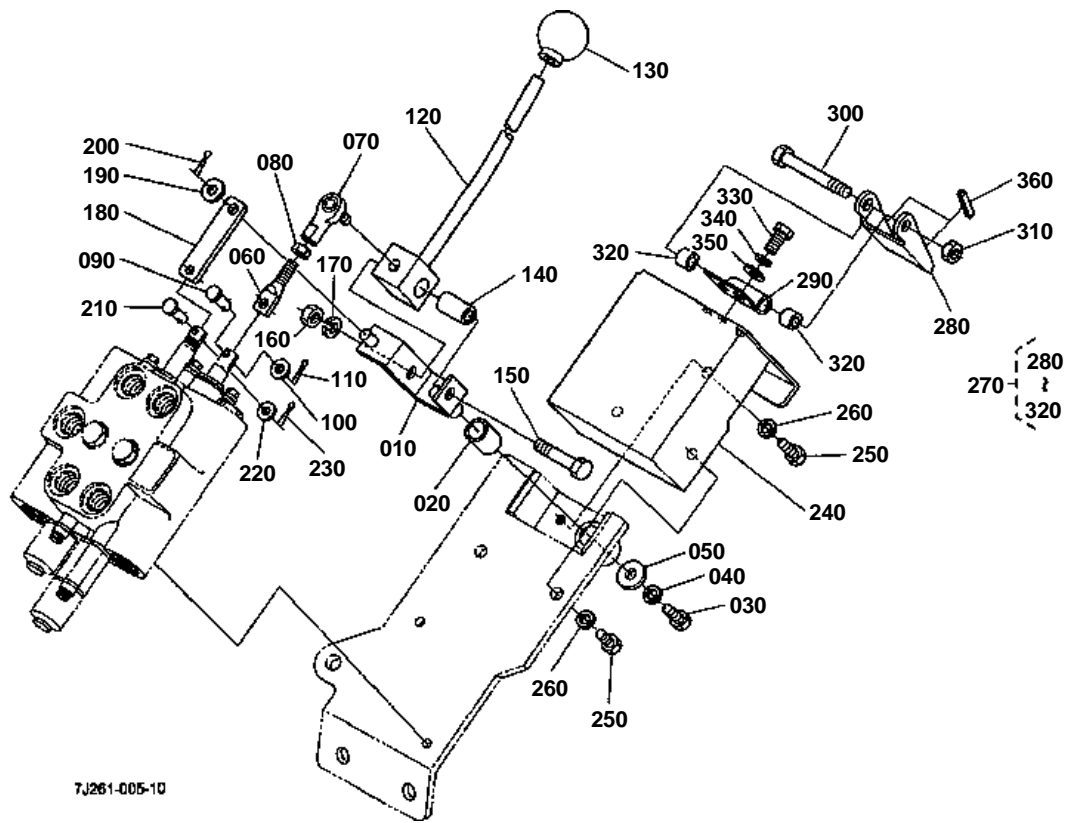


# CONTROL VALVE [COMPONENT PARTS]

↔ Interchangeable; ≠ not interchangeable; ← new for old; → old for new

REF.No	Part No.	Description	Q'ty	S.No.	I/C	REMARKS	Weight (kgf)	Weight (lb)
010	7J240-61010	VALVE CONTROL	1			(#9210-B3)	0	0
020	75540-61450	CAP-SPOOL	2			(5028)	0	0
030	75536-65400	KIT DETENT FLOAT	1			(#59221)	0	0
040	7J240-65100	KIT REGEN.	1			(#59243)	0	0
050	75546-65100	SHUT-OFF PLUG ASSY	1			(#52610)	0	0
060	75536-65700	CAP SCREW-SOC.HD.	2			(#3386)	0	0
070	75540-61410	CAP SCREW-SOC.HD.	2			(3424)	0	0
080	75536-65200	KIT LOAD CHECK	2			(#59238)	0	0
090	75536-65300	KIT SEAL	1			(#59239)	0	0
100	75536-65500	KIT UPPER BOOM SPOOL	1			(#59223)	0	0
110	75536-65600	KIT UPPER BKT.SPOOL	1			(#59224)	0	0
120	75536-65900	CAP SCREW-SOC.HD.	2			(#5217)	0	0
130	75540-61460	CAP SCREW-SOC.HD.	2			(5035)	0	0
140	75540-61330	PLATE-SEAL	6			(5012)	0	0

# CONTROL LEVER



7J261-005-10

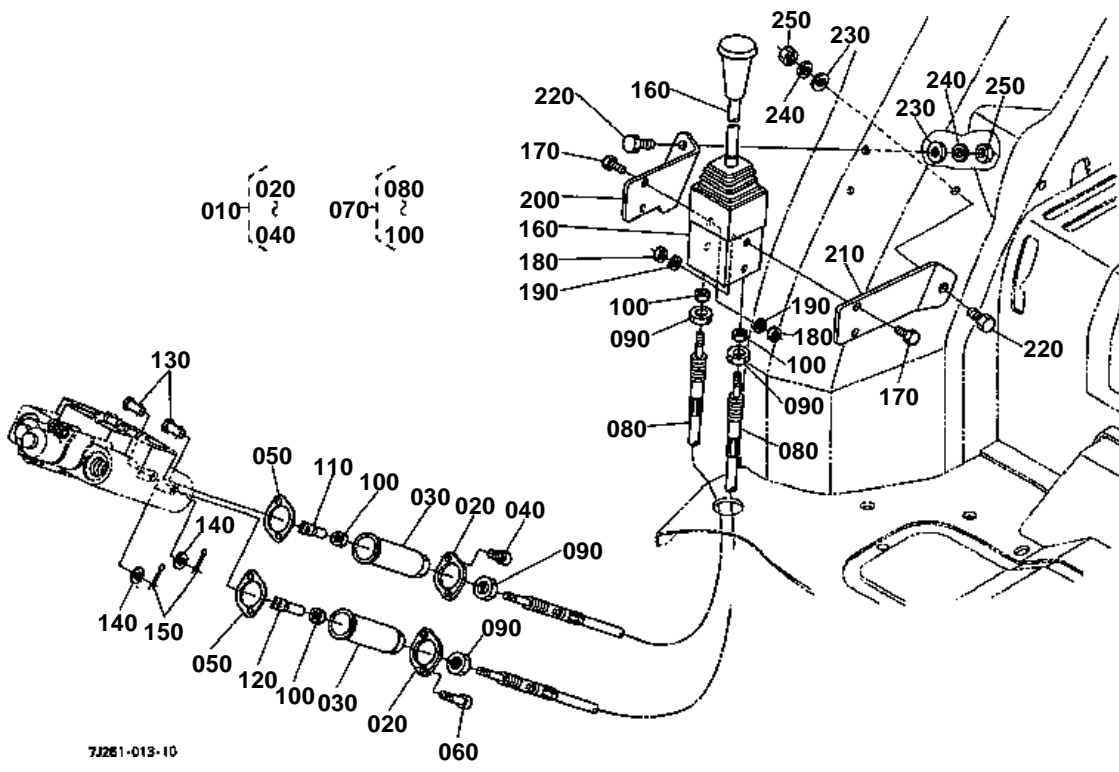


**CONTROL LEVER**  
[STANDARD VALVE TYPE]

↔ Interchangeable; ≠ not interchangeable; ← new for old; → old for new

REF.No	Part No.	Description	Q'ty	S.No.	I/C	REMARKS	Weight (kgf)	Weight (lb)
010	7J240-62110	LEVER	1				0	0
020	K2561-42140	BUSHING	1			(5/8*1.00)	0	0
030	75599-01215	HEX.BOLT	1			(5/16-18UNC*3/4)	0	0
040	75599-33012	WASHER SPRING LOCK	1			(5/16)	0	0
050	75599-32112	WASHER PLAIN	1			(5/16W)	0	0
060	75536-62160	ROD	1				0	0
070	75532-62260	JOINT ROD END	1				0	0
080	75599-31022	HEX.NUT	1			(5/16-24UNF)	0	0
090	75540-62190	PIN	1				0	0
100	75599-32009	WASHER PLAIN	1			(13/64)	0	0
110	75599-53111	PIN COTTER	1			(1/32*1/2)	0	0
120	7J261-62210	LEVER CONTROL	1				0	0
130	31355-82520	GRIP LEVER	1				0.05	0.11
140	75595-72150	SLEEVE	1				0	0
150	75599-04340	HEX.BOLT	1			(3/8-24UNF*2)	0	0
160	75599-31023	HEX.NUT	1			(3/8-24UNF)	0.006	0.0132
170	75599-33013	WASHER SPRING LOCK	1			(3/8)	0	0
180	7J240-62280	PLATE SPOOL	1				0	0
190	75599-32012	WASHER PLAIN	1			(5/16)	0.002	0.0044
200	75599-53152	PIN COTTER	1			(3/32*3/4)	0	0
210	75540-62190	PIN	1				0	0
220	75599-32009	WASHER PLAIN	1			(13/64)	0	0
230	75599-53111	PIN COTTER	1			(1/32*1/2)	0	0
240	7J240-62310	COVER	1				0	0
250	75599-01215	HEX.BOLT	3			(5/16-18UNC*3/4)	0	0
260	75599-33012	WASHER SPRING LOCK	3			(5/16)	0	0
270	75548-62400	ASSY LIMITER	1				0	0
280	75540-62410	PLATE LIMITER	1				0	0
290	75548-62420	HINGE	1				0	0
300	75599-01255	HEX.BOLT	1			(5/16-18UNC*2-3/4)	0	0
310	75599-31912	NUT LOCKING	1			(5/16-18UNC)	0	0
320	75548-62440	CUSHION RUBBER	2				0	0
330	75599-01212	HEX.BOLT	2			(5/16-18UNC*5/8)	0	0
340	75599-33012	WASHER SPRING LOCK	2			(5/16)	0	0
350	75599-32012	WASHER PLAIN	2			(5/16)	0.002	0.0044
360	75540-62450	CUSHION RUBBER	2				0	0

# CONTROL LEVER

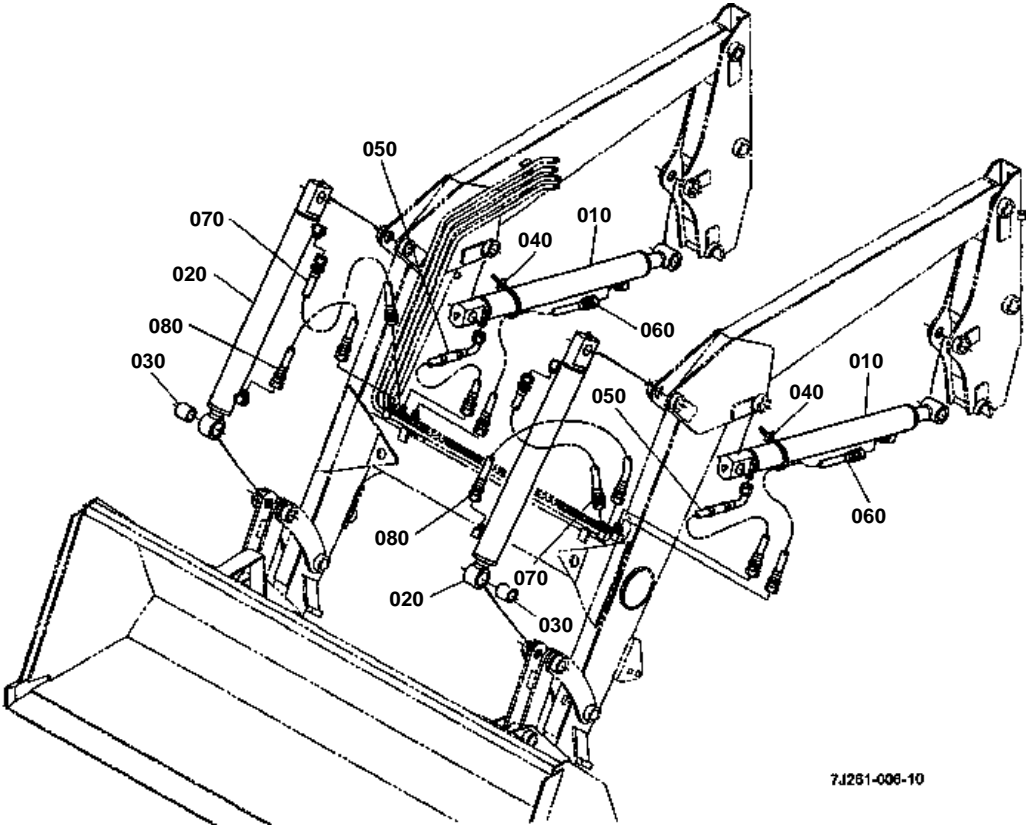




**CONTROL LEVER**  
[REMOTE VALVE TYPE]

↔ Interchangeable; ≠ not interchangeable; ← new for old; → old for new

REF.No	Part No.	Description	Q'ty	S.No.	I/C	REMARKS	Weight (kgf)	Weight (lb)
010	7J261-77110	KIT CABLE END	2				0	0
020	7J261-77140	FLANGE	2				0	0
030	7J261-77150	SLEEVE	2				0	0
040	75599-17115	SCREW S.H.	2			(1/4UNC*3/4)	0	0
050	7J240-77170	GASKET	2				0	0
060	75599-17130	SCREW S.H.	2			(1/4UNC*1-1/2)	0	0
070	7J261-77200	ASSY CABLE	2				0	0
080	7J261-77210	CABLE	2				0	0
090	75568-77220	NUT	4			(M16X1.5)	0	0
100	02014-50060	NUT	4				0.003	0.0066
110	75568-77110	END CABLE	1				0	0
120	7J261-77250	END CABLE	1				0	0
130	75540-62190	PIN	2				0	0
140	75599-32009	WASHER PLAIN	2			(13/64)	0	0
150	75599-53111	PIN COTTER	2			(1/32*1/2)	0	0
160	75568-77500	CONTROLLER	1				0	0
170	75599-02165	HEX.BOLT	2			(1/4-28UNF*3-1/4)	0	0
180	75599-31021	HEX.NUT	2			(1/4-28UNF)	0	0
190	75599-33011	WASHER SPRING LOCK	2			(1/4)	0	0
200	7J261-77710	STAY CONTROLLER	1				0	0
210	7J261-77720	STAY CONTROLLER	1				0	0
220	75599-01220	HEX.BOLT	3			(5/16-18UNC*1)	0	0
230	75599-32112	WASHER PLAIN	3			(5/16W)	0	0
240	75599-33012	WASHER SPRING LOCK	3			(5/16)	0	0
250	75599-31012	HEX.NUT	3			(5/16-18UNC)	0	0



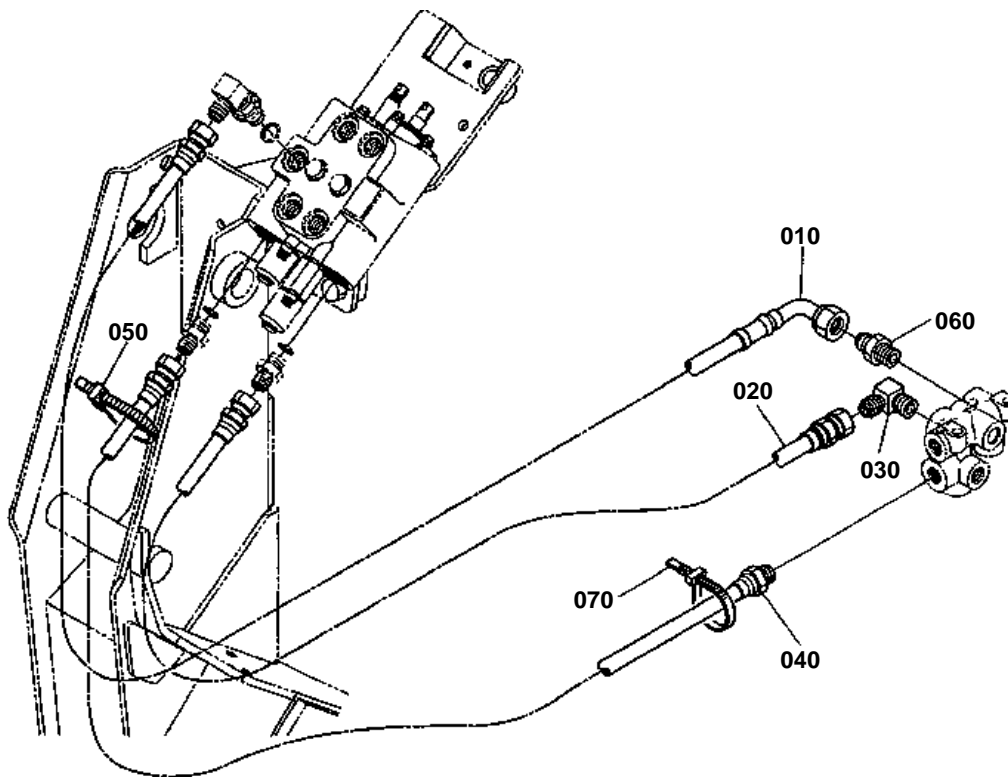
71261-006-10

**CYLINDER / HYDRAULIC HOSE**

↔ Interchangeable; ≠ not interchangeable; ← new for old; → old for new

REF.No	Part No.	Description	Q'ty	S.No.	I/C	REMARKS	Weight (kgf)	Weight (lb)
010	7J261-63010	CYLINDER 1	2			REFER TO L.No.B08-R FOR COMPONENTS. REFER TO L.No.B09-L FOR COMPONENTS.	0	0
020	7J261-64010	CYLINDER 2	2				0	0
030	7J261-58790	BUSHING 2	2			(14.5)	0	0
040	75546-66920	BAND CODE	2				0	0
050	7J261-66610	HOSE 8 HYDRAULIC	2				0	0
060	7J261-66620	HOSE 9 HYDRAULIC	2				0	0
070	7J261-66630	HOSE 10 HYDRAULIC	2				0	0
080	7J261-66640	HOSE 11 HYDRAULIC	2				0	0





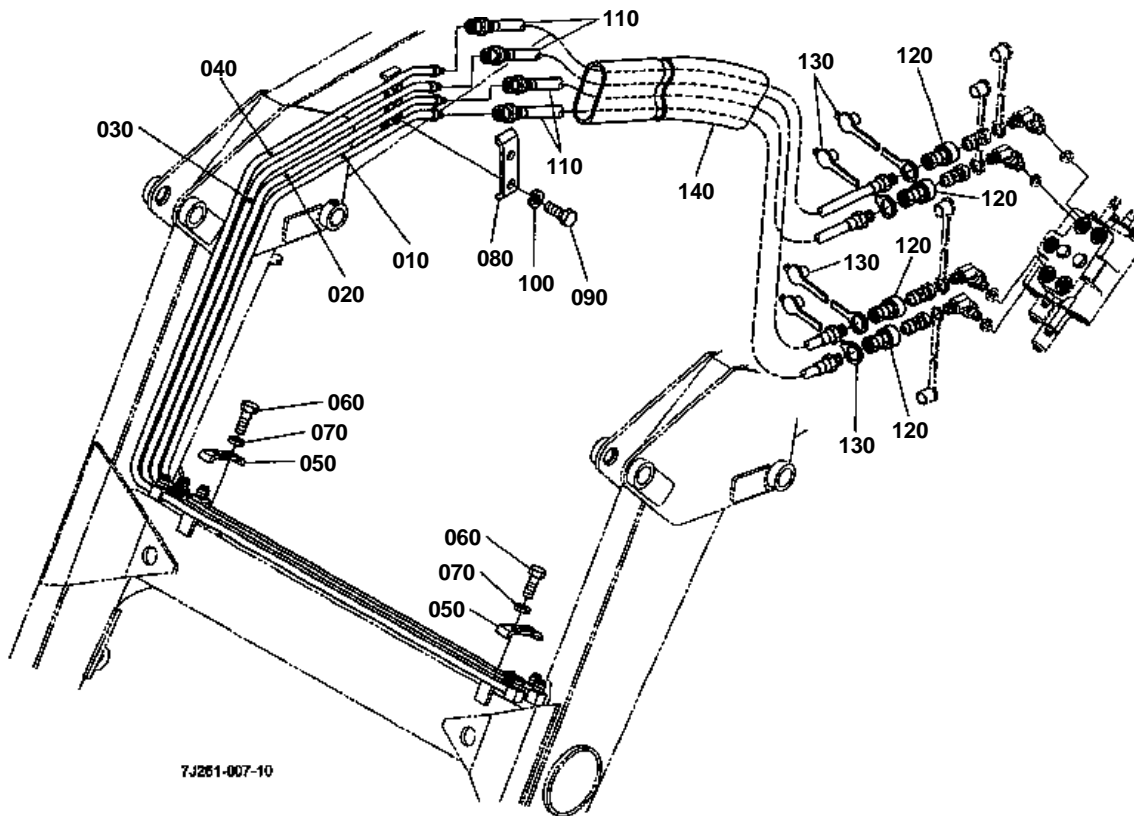
7J261-014-10



**HYDRAULIC BLOCK OIL LINE**  
[STANDARD VALVE TYPE]

↔ Interchangeable; ≠ not interchangeable; ← new for old; → old for new

REF.No	Part No.	Description	Q'ty	S.No.	I/C	REMARKS	Weight (kgf)	Weight (lb)
010	7J261-66310	HOSE 5 HYDRAULIC	1				0	0
020	7J261-66410	HOSE 6 HYDRAULIC	1				0	0
030	75540-64910	ELBOW	1				0	0
040	7J261-66510	HOSE 7 HYDRAULIC	1				0	0
050	75590-64650	BAND CODE	1				0	0
060	75582-66810	ADAPTER 1	1				0	0
070	75590-64650	BAND CODE	1				0	0



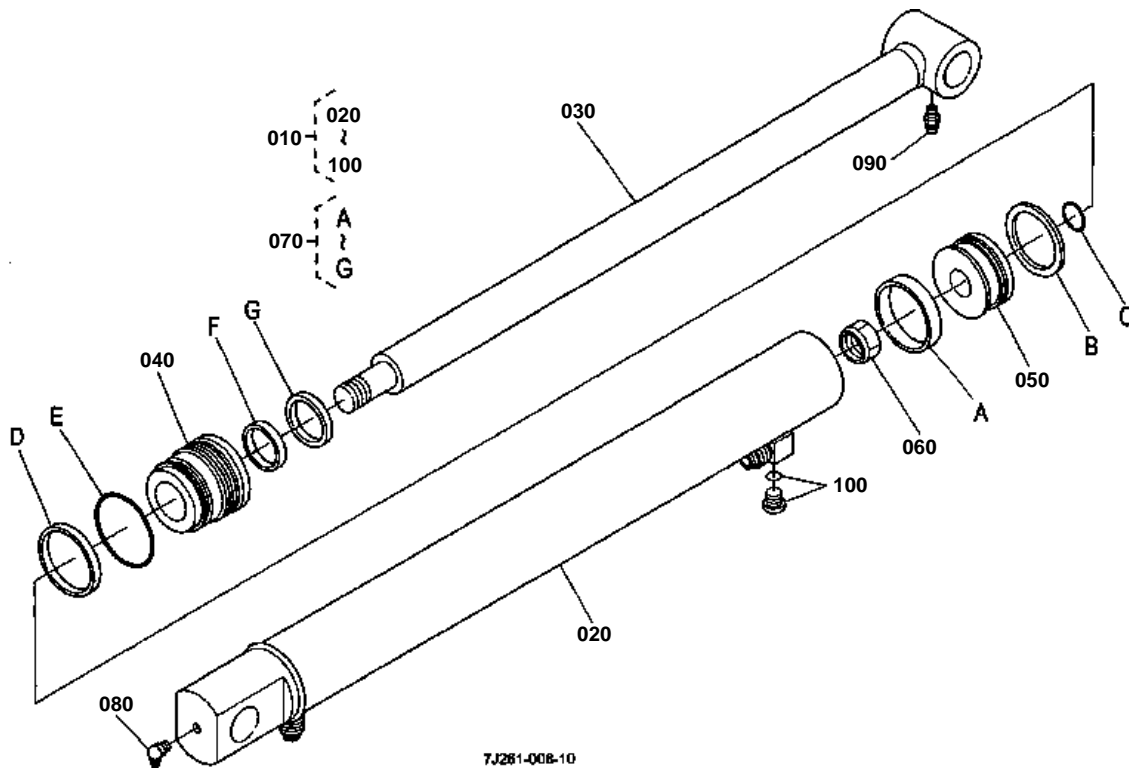


# HYDRAULIC TUBE

↔ Interchangeable; ≠ not interchangeable; ← new for old; → old for new

REF.No	Part No.	Description	Q'ty	S.No.	I/C	REMARKS	Weight (kgf)	Weight (lb)
010	7J261-65110	TUBE 1 HYDRAULIC	1				0	0
020	7J261-65210	TUBE 2 HYDRAULIC	1				0	0
030	7J261-65310	TUBE 3 HYDRAULIC	1				0	0
040	7J261-65410	TUBE 4 HYDRAULIC	1				0	0
050	75540-65510	CLAMP	2				0	0
060	75599-01220	HEX.BOLT	4			(5/16-18UNC*1)	0	0
070	75599-33012	WASHER SPRING LOCK	4			(5/16)	0	0
080	75540-65530	CLAMP	1				0	0
090	75599-01220	HEX.BOLT	2			(5/16-18UNC*1)	0	0
100	75599-33012	WASHER SPRING LOCK	2			(5/16)	0	0
110	7J261-66110	HOSE 1 HYDRAULIC	4			STANDARD VALVE TYPE	0	0
120	75540-66320	COUPLER	4			STANDARD VALVE TYPE	0	0
130	75540-66330	PLUG DUST	4			STANDARD VALVE TYPE	0	0
140	7J261-66140	SLEEVE	1			STANDARD VALVE TYPE (23.0)	0	0

CYLINDER (BOOM) [COMPONENT PARTS]



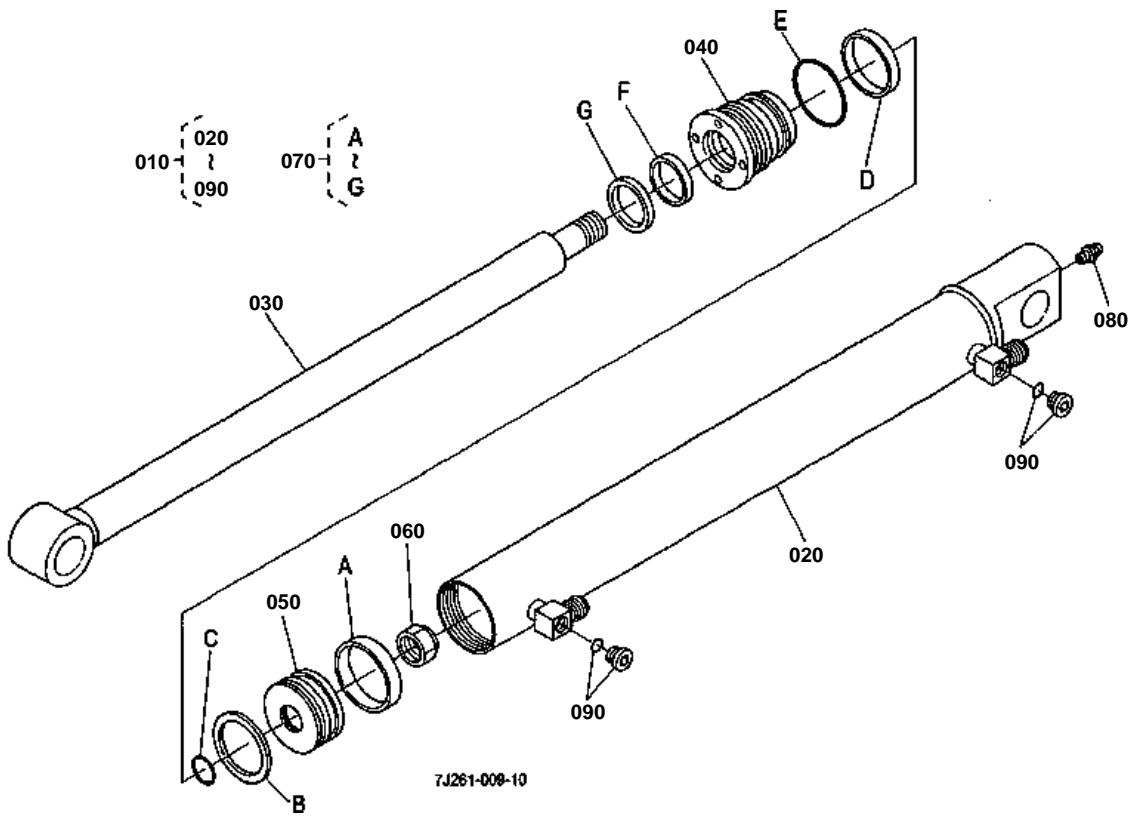


# CYLINDER (BOOM) [COMPONENT PARTS]

↔ Interchangeable; ≠ not interchangeable; ← new for old; → old for new

REF.No	Part No.	Description	Q'ty	S.No.	I/C	REMARKS	Weight (kgf)	Weight (lb)
010	7J261-63010	CYLINDER 1	2				0	0
020	7J261-63100	TUBE 1 COMP	2				0	0
030	7J261-63200	ROD 1 COMP	2				0	0
040	75565-63310	HEAD	2				0	0
050	75565-63350	PISTON	2				0	0
060	75565-63360	NUT	2				0	0
070	75565-63400	KIT SEAL	2				0	0
080	75532-63470	FITTING GREASE	2			(90DEG.)	0	0
090	75599-81530	FITTING GREASE	2			(1/8-27 NPTF)	0	0
100	75540-63490	PLUG	2				0	0

CYLINDER (BUCKET) [COMPONENT PARTS]



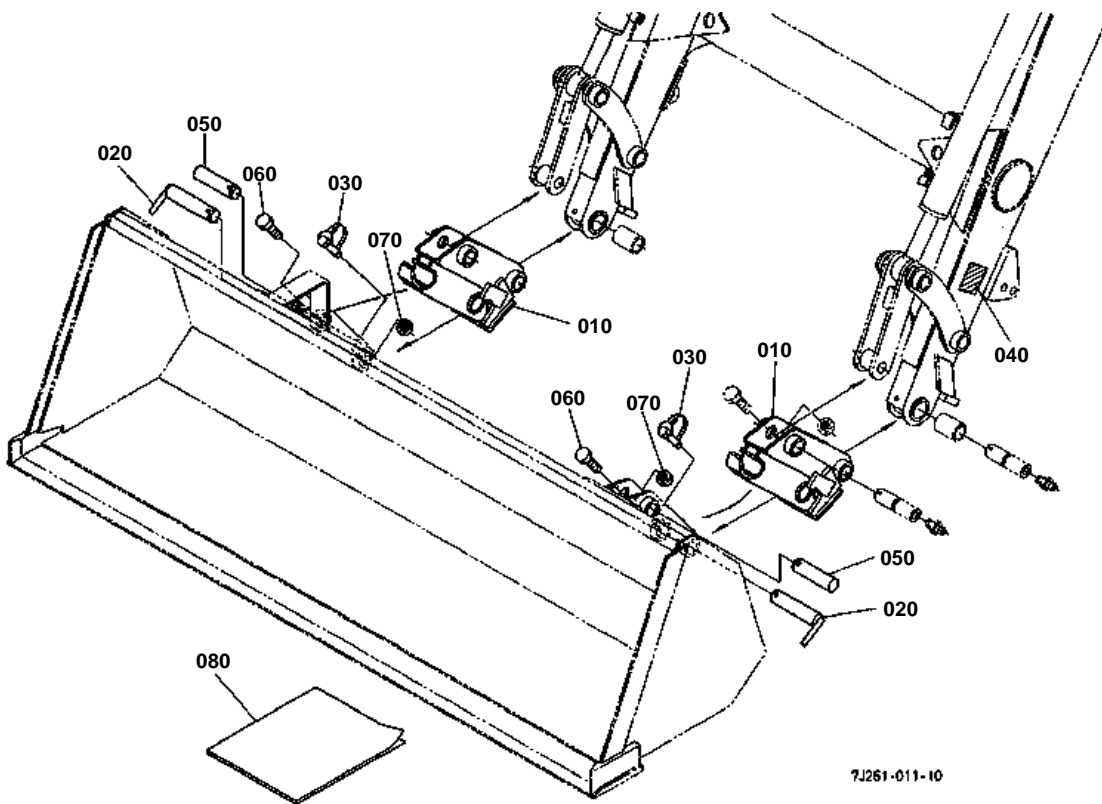


# CYLINDER (BUCKET) [COMPONENT PARTS]

↔ Interchangeable; ≠ not interchangeable; ← new for old; → old for new

REF.No	Part No.	Description	Q'ty	S.No.	I/C	REMARKS	Weight (kgf)	Weight (lb)
010	7J261-64010	CYLINDER 2	2				0	0
020	7J261-64100	TUBE 2 COMP	2				0	0
030	7J261-64200	ROD 2 COMP	2				0	0
040	75565-63310	HEAD	2				0	0
050	75565-63350	PISTON	2				0	0
060	75565-63360	NUT	2				0	0
070	75565-63400	KIT SEAL	2				0	0
080	75599-81530	FITTING GREASE	2			(1/8-27 NPTF)	0	0
090	75540-63490	PLUG	4				0	0

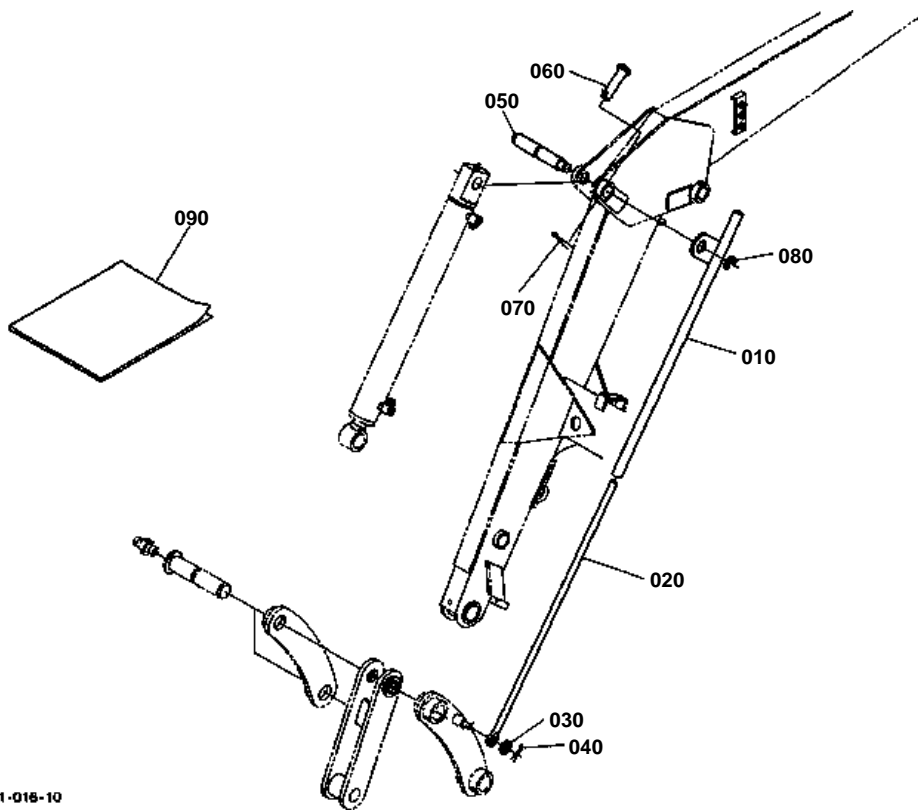




**QUICK HITCH [OPTION]**

↔ Interchangeable; ≠ not interchangeable; ← new for old; → old for new

REF.No	Part No.	Description	Q'ty	S.No.	I/C	REMARKS	Weight (kgf)	Weight (lb)
010	7J261-36100	HITCH QUICK	2				0	0
020	7J261-36250	PIN HITCH	2				0	0
030	75567-56820	PIN SNAPPER	2				0	0
040	7J261-36260	LABEL QUICK HITCH	2				0	0
050	7J261-36270	PIN 8	2				0	0
060	75599-03250	HEX.BOLT	2			(5/16-18UNC*2-1/2)	0	0
070	75599-31912	NUT LOCKING	2			(5/16-18UNC)	0	0
080	7J261-36290	MANUAL INSTRUCTION	1				0	0



7/251-016-10

**INDICATOR (L1738) [OPTION]**

↔ Interchangeable; ≠ not interchangeable; ← new for old; → old for new

REF.No	Part No.	Description	Q'ty	S.No.	I/C	REMARKS	Weight (kgf)	Weight (lb)
010	7J261-58940	ASSY INDICATOR	1				0	0
020	75563-58950	ROD LEVEL	1				0	0
030	75599-32012	WASHER PLAIN	1			(5/16)	0.002	0.0044
040	75599-53152	PIN COTTER	1			(3/32*3/4)	0	0
050	7J261-58770	PIN 6	1				0	0
060	75582-58520	PIN CLEVIS	1			(5/16*2 3/16)	0	0
070	75599-53172	PIN COTTER	1			(1/8*3/4)	0	0
080	75599-41531	CIR-CRIP EXTERNAL	1			(1)	0	0
090	7J261-92190	MANUAL INSTRUCTION	1				0	0



# ACCESSORIES AND SERVICE PARTS

↔ Interchangeable; ≠ not interchangeable; ← new for old; → old for new

REF.No	Part No.	Description	Q'ty	S.No.	I/C	REMARKS	Weight (kgf)	Weight (lb)
010	7J261-69110	OPERATOR'S MANUAL	1				0	0