

Instructions for Parts Books

The heading at the top of the page will be the same for the picture of the parts as it is for the page with the part numbers.

Definition of column headings on part number pages:

REF.No → The number referring to the part on the picture page of the parts book.

Part No. → The number assigned to this part at the time of printing the parts book.

Description → Description of part.

Q'ty → Quantity of part used on that page.

S.No. → Serial number range of the equipment that this part will fit.

>= Your serial number should be greater than or equal to the number shown.

<= Your serial number should be lesser than or equal to the serial number shown.

I/C → Interchangeability of part shown.

↔ The part shown will work for the older and later serial number.

The part shown is not interchangeable with the other serial number.

← new for old

→ old for new

Remarks → Notes about this particular part. Sometimes this may say except [FR] or [CA]

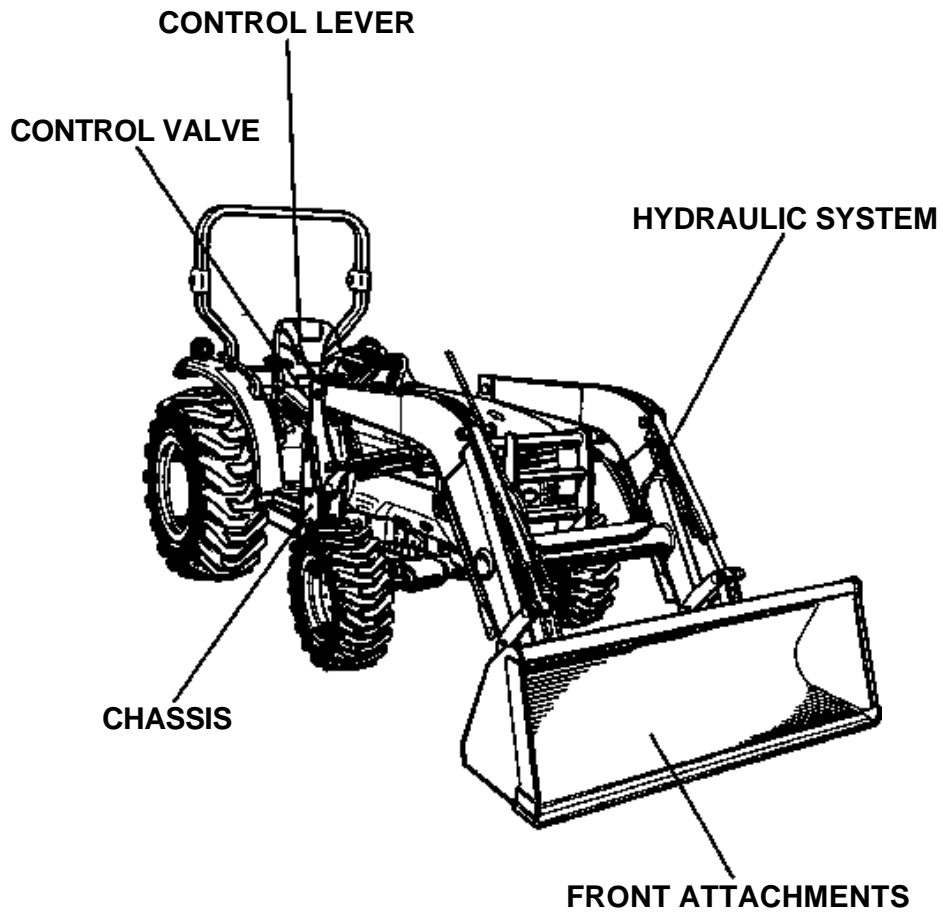
Note about Country Codes:

The parts books we use in the United States of America may also contain information about a part that would be different in another country. It is important that you are aware of the country codes in some instances.

Symbol	Country
A	United States of America
CA	Canada
FR	France
GR	Greece
PO	Portugal
AU	Australia

If the remarks column says for example EXCEPT [FR] this part works in all countries except France. That means it will work here in the USA.

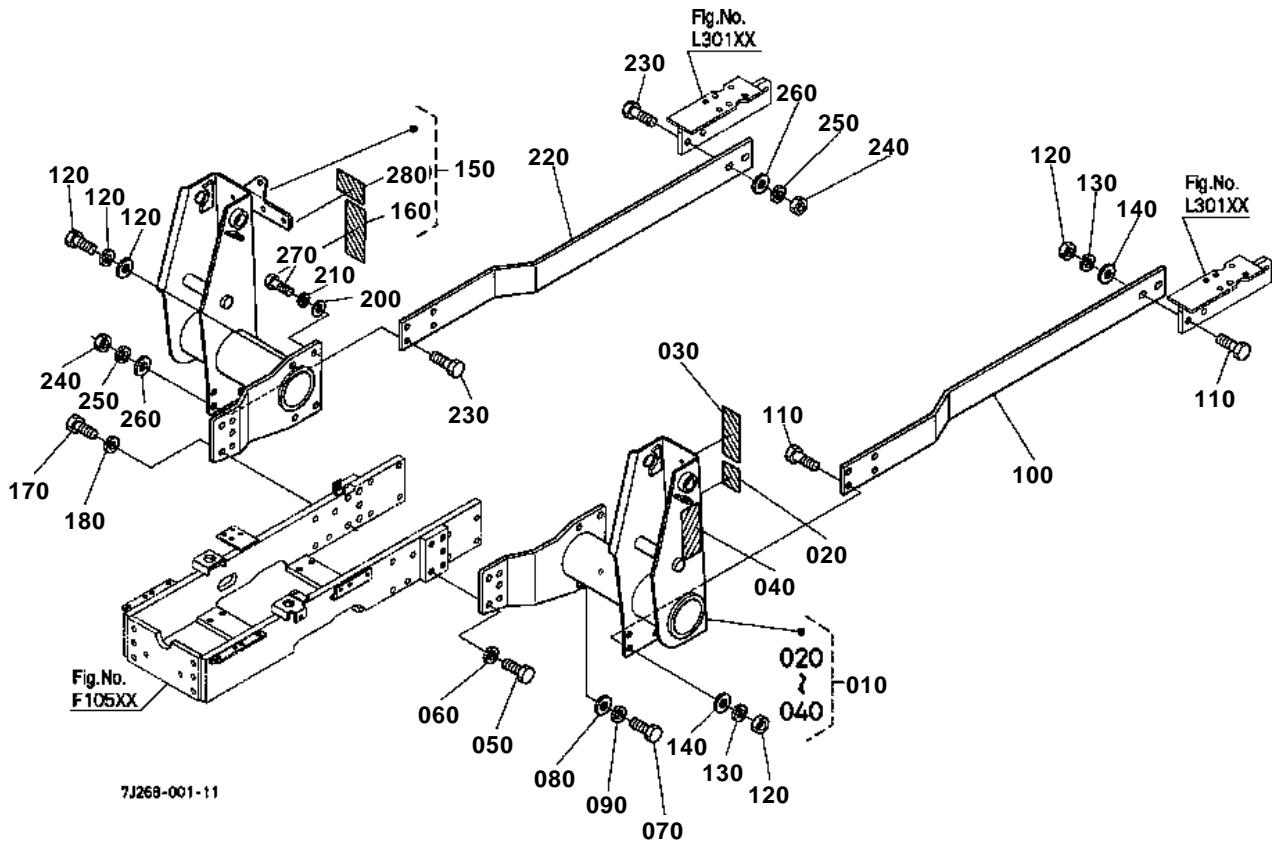
ALL PRODUCT INDEX
LA853



OPTION
ACCESSORIES AND SERVICE PARTS

Item	Part No.	Description	Book	
CHASSIS	01A001	MAIN FRAME	100A0184	
	01A005	SIDE FRAME	100A0184	
FRONT ATTACHMENTS	01A010	BOOM	100A0184	
	01A020	BUCKET LINK	100A0184	
	01A02501	BUCKET	100A0184	
	01A02502	BUCKET	100A0184	
	01A02503	QUICK BUCKET	100A0184	
	01A02504	QUICK BUCKET	100A0184	
	01A02505	QUICK BUCKET	100A0184	
	01A02506	QUICK BUCKET	100A0184	
	01A02507	QUICK BUCKET	100A0184	
	CONTROL VALVE	01B00101	CONTROL VALVE	100A0184
		01B00102	CONTROL VALVE	100A0184
01B00103		CONTROL VALVE	100A0184	
01B00104		CONTROL VALVE	100A0184	
01B00501		CONTROL VALVE [COMPONENT PARTS]	100A0184	
01B00502		CONTROL VALVE [COMPONENT PARTS]	100A0184	
01B00503		CONTROL VALVE [COMPONENT PARTS]	100A0184	
CONTROL LEVER	01B01301	CONTROL LEVER	100A0184	
	01B01302	CONTROL LEVER	100A0184	
HYDRAULIC SYSTEM	01B015	CYLINDER/HYDRAULIC HOSE	100A0184	
	01B01601	HYDRAULIC HOSE(HYD.OUTLET BLOCK)	100A0184	
	01B01602	HYDRAULIC HOSE(HYD.OUTLET BLOCK)	100A0184	
	01B020	HYDRAULIC TUBE	100A0184	
	01B025	CYLINDER (BOOM) [COMPONENT PARTS]	100A0184	
	01B030	CYLINDER (BUCKET) [COMPONENT PARTS]	100A0184	
	OPTION	01C005	QUICK HITCH [OPTION]	100A0184
01C015		PALLET FORK [OPTION]	100A0184	
01C016		BALE SPEAR [OPTION]	100A0184	
01D001		ACCESSORIES AND SERVICE PARTS	100A0184	
ACCESSORIES AND SERVICE PARTS				

MAIN FRAME

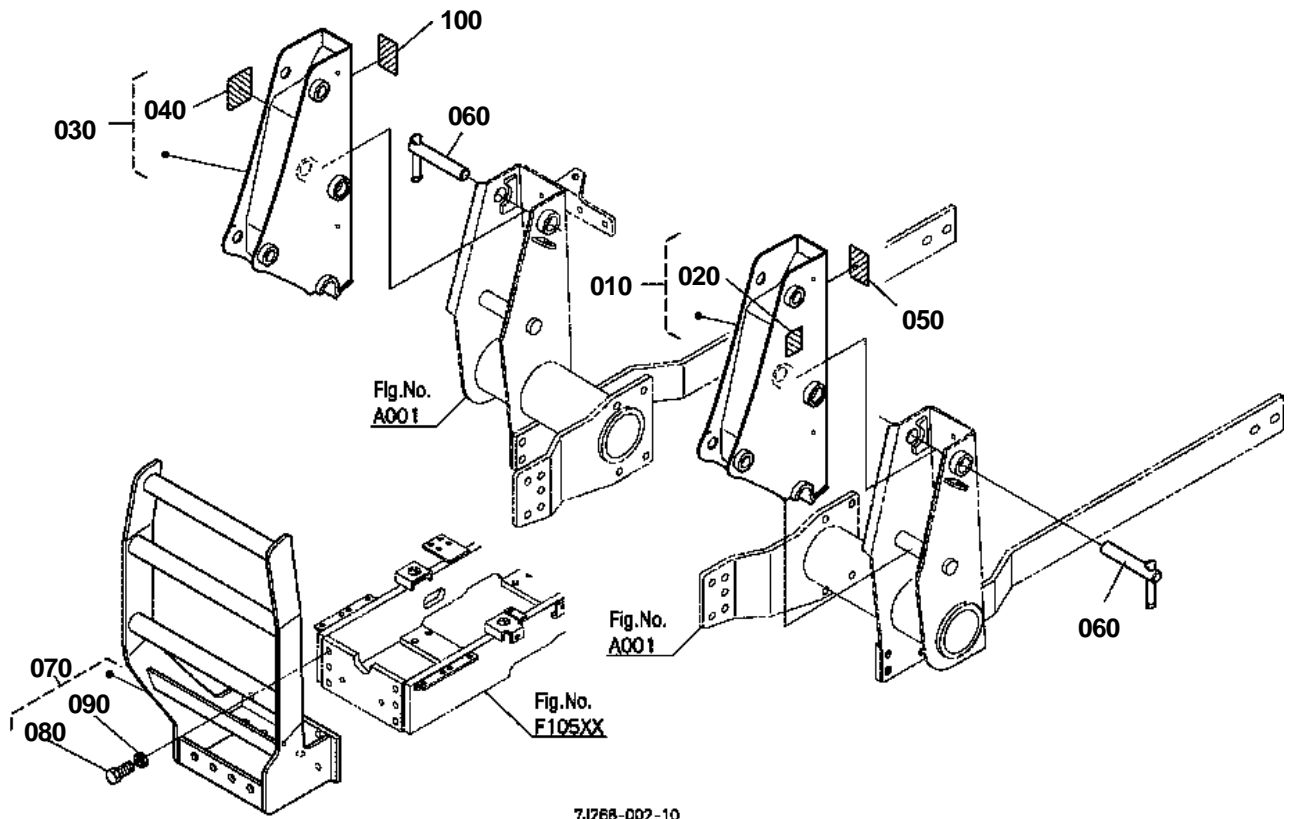


**MAIN FRAME**

↔ Interchangeable; ≠ not interchangeable; ← new for old; → old for new

REF.No	Part No.	Description	Q'ty	S.No.	I/C	REMARKS	Weight (kgf)	Weight (lb)
010	7J268-90110	FRAME MAIN LH(LABEL)	1				73	160.6
020	7J246-56420	LABEL DANGER 2	1				0.001	0.0022
030	7J246-56430	LABEL DANGER 3	1				0.002	0.0044
040	7J246-56450	LABEL CAUTION 1	1				0.002	0.0044
050	01073-51645	BOLT	5			M16*1.50*45	0.1	0.22
060	04512-60160	WASHER SPRING	5			M16	0.01	0.022
070	01073-51645	BOLT	4			M16*1.50*45	0.1	0.22
080	75599-32517	WASHER PLAIN	4			5/8HD	0.016	0.0352
090	04512-60160	WASHER SPRING	4			M16	0.01	0.022
100	7J267-55310	FRAME SUB	1	<=10848			0	0
100	7J267-55312	FRAME SUB	1	>=10849	←		2.5	5.5
100	7J267-55313	FRAME SUB	1	>=50001	←		2.5	5.5
110	01073-51655	BOLT	5			M16*1.50*55	0.12	0.264
120	02076-50160	NUT	5			M16	0.03	0.066
130	04512-60160	WASHER SPRING	5			M16	0.01	0.022
140	75599-32517	WASHER PLAIN	5			5/8HD	0.016	0.0352
150	7J268-90120	FRAME MAIN RH(LABEL)	1	<=19999			73	160.6
150	7J268-90122	FRAME MAIN RH(LABEL)	1	>=50001	1		73	160.6
160	7J246-56410	LABEL DANGER 1	1				0.002	0.0044
170	01073-51645	BOLT	5			M16*1.50*45	0.1	0.22
180	04512-60160	WASHER SPRING	5			M16	0.01	0.022
190	01073-51645	BOLT	3			M16*1.50*45	0.1	0.22
200	75599-32517	WASHER PLAIN	4			5/8HD	0.016	0.0352
210	04512-60160	WASHER SPRING	4			M16	0.01	0.022
220	7J267-55310	FRAME SUB	1	<=10848			0	0
220	7J267-55312	FRAME SUB	1	>=10849	←		2.5	5.5
220	7J267-55313	FRAME SUB	1	>=50001	←		2.5	5.5
230	01073-51655	BOLT	5			M16*1.50*55	0.12	0.264
240	02076-50160	NUT	5			M16	0.03	0.066
250	04512-60160	WASHER SPRING	5			M16	0.01	0.022
260	75599-32517	WASHER PLAIN	5			5/8HD	0.016	0.0352
270	01073-51650	BOLT	1			M16*1.50*50	0.105	0.231
280	7J266-56490	LABEL CAUTION 4	1	>=50001			0.001	0.0022

SIDE FRAME



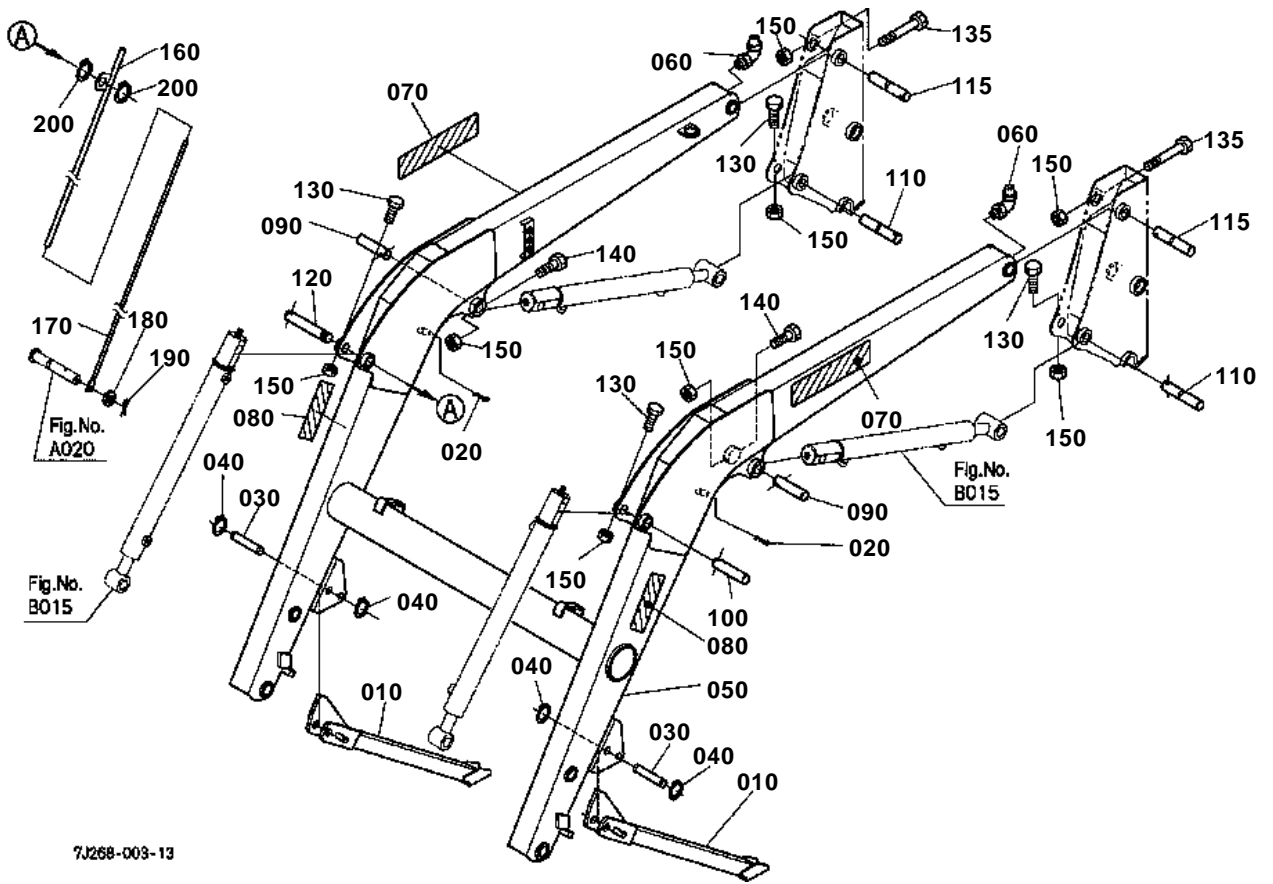
7J268-002-10

**SIDE FRAME**

↔ Interchangeable; ≠ not interchangeable; ← new for old; → old for new

REF.No	Part No.	Description	Q'ty	S.No.	I/C	REMARKS	Weight (kgf)	Weight (lb)
010	7J268-90130	FRAME SIDE LH(LABEL)	1				0	0
020	7J246-56442	LABEL WARNING 1	1				0.01	0.022
030	7J268-90140	FRAME SIDE RH(LABEL)	1	<=10015			23	50.6
030	7J268-90142	FRAME SIDE RH(LABEL)	1	>=10016	1		23	50.6
030	7J268-90143	FRAME SIDE RH(LABEL)	1	>=50001	1		0	0
040	7J246-56442	LABEL WARNING 1	1				0.01	0.022
050	75580-56370	LABEL LUBRICATE	1				0.001	0.0022
060	7J414-56810	PIN MOUNT	2				1.35	2.97
070	7J266-99500	KIT GUARD FRONT	1				0	0
080	01073-51440	BOLT	4			M14*1.5*40	0.069	0.1518
090	04512-60140	WASHER SPRING	4			M14	0.008	0.0176
100	7J266-62360	LABEL CONTROL	1				0.002	0.0044

BOOM



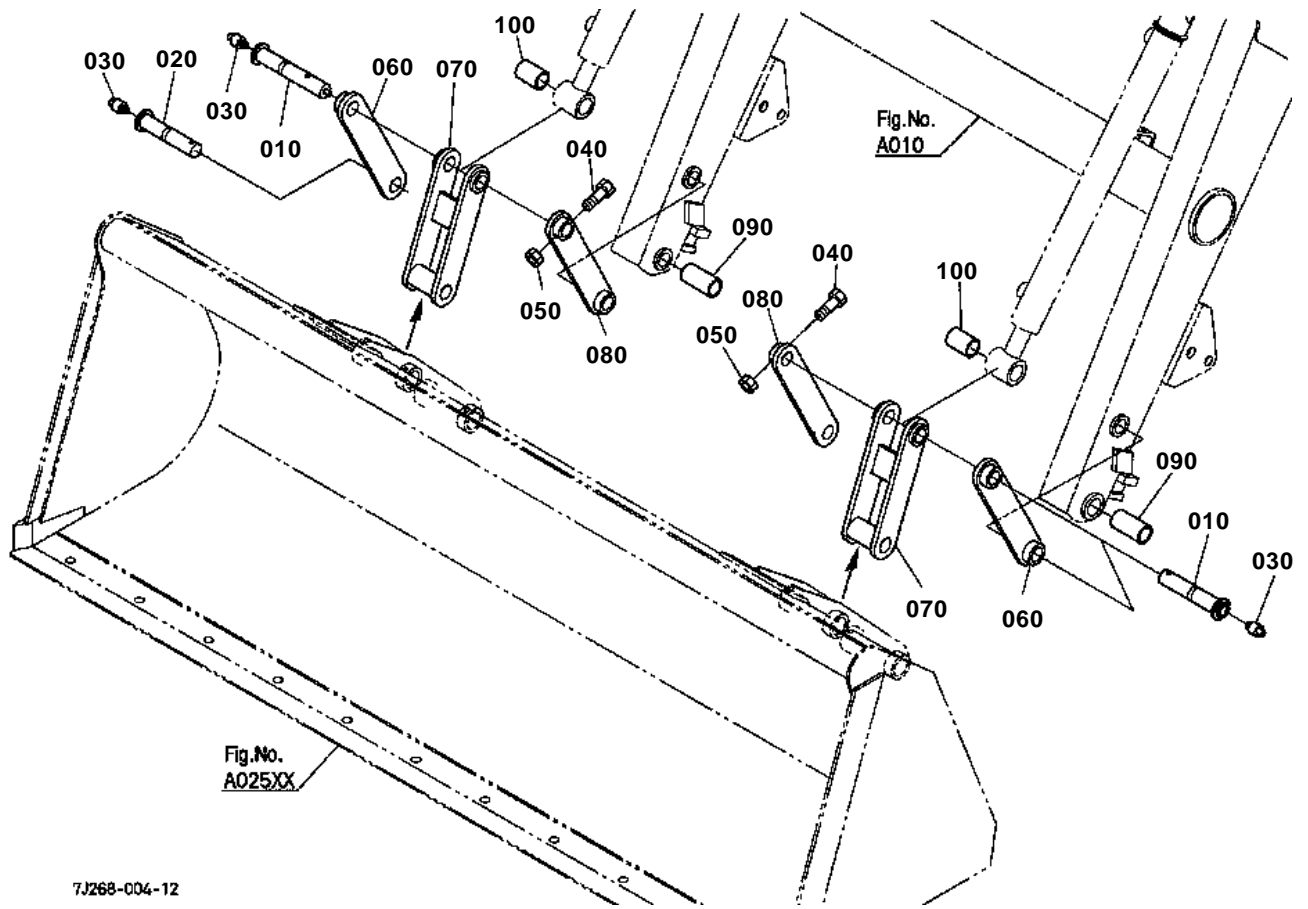
7J268-003-13

**BOOM**

↔ Interchangeable; ≠ not interchangeable; ← new for old; → old for new

REF.No	Part No.	Description	Q'ty	S.No.	I/C	REMARKS	Weight (kgf)	Weight (lb)
010	7J266-57550	STAND	2				6.5	14.3
020	75595-11550	PIN SPRING LOCK	2				0.015	0.033
030	7J266-57650	PIN	2				0.24	0.528
040	04612-00190	CIR CLIP EXTERNAL	4				0.001	0.0022
050	7J268-58010	BOOM	1	≤19999			0	0
050	7J268-58013	BOOM	1	≥20001	1		0	0
060	75532-63470	FITTING GREASE	2			90DEG.	0.01	0.022
070	TD060-80930	LABEL KUBOTA	2				0.007	0.0154
080	7J268-58460	LABEL LA853	2				0.005	0.011
090	7J268-58510	PIN 1	2				0.63	1.386
100	7J268-58610	PIN 2	1				0.64	1.408
110	7J268-58740	PIN 4	4	≤10318			0.73	1.606
110	7J268-58740	PIN 4	2	≥10319			0.73	1.606
115	7J268-58750	PIN 5	2	≥10319			0.8	1.76
120	7J268-58770	PIN 6	1				0.86	1.892
130	01053-50860	BOLT	4			M8*1.25*60	0.024	0.0528
135	7J268-58980	BOLT	2			M8*1.25*65	0.03	0.066
140	01053-50865	BOLT	4			M8*1.25*65	0.025	0.055
150	02552-50080	NUT LOCK	8			M8	0.005	0.011
160	7J268-58940	ASSY INDICATOR	1				0.5	1.1
170	7J266-58950	ROD LEVEL	1				0.5	1.1
180	04013-60080	WASHER PLAIN	1			M8	0.002	0.0044
190	05511-52520	PIN SPLIT	1				0.001	0.0022
200	04612-00300	CIR CLIP EXTERNAL	2				0.003	0.0066

BUCKET LINK



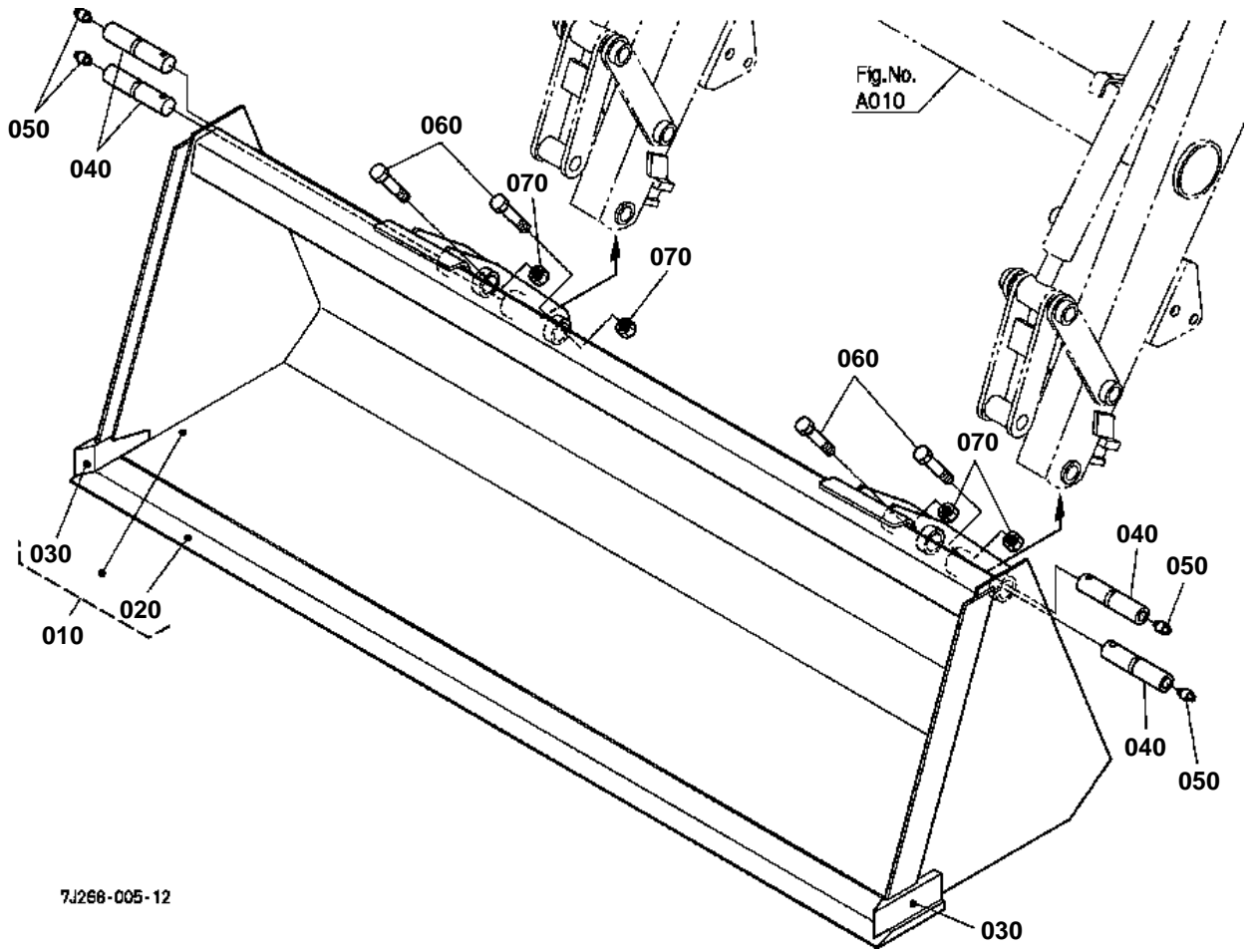
7J268-004-12

**BUCKET LINK**

↔ Interchangeable; ≠ not interchangeable; ← new for old; → old for new

REF.No	Part No.	Description	Q'ty	S.No.	I/C	REMARKS	Weight (kgf)	Weight (lb)
010	7J268-58780	PIN 7	3				0.86	1.892
020	7J268-58790	PIN 8	1				0.9	1.98
030	75599-81521	FITTING GREASE	4			1/4-28T.T.	0.003	0.0066
040	01053-50870	BOLT	2			M8*1.25*60	0.027	0.0594
050	02552-50080	NUT LOCK	2			M8	0.005	0.011
060	7J261-58800	COMP LINK 1	2				1.65	3.63
070	7J268-58820	COMP LINK 2	2				3.3	7.26
080	7J261-58900	COMP LINK 3	2				1.66	3.652
090	7J268-58720	BUSHING 1	2				0.18	0.396
100	7J268-58730	BUSHING 2	2				0.25	0.55

BUCKET



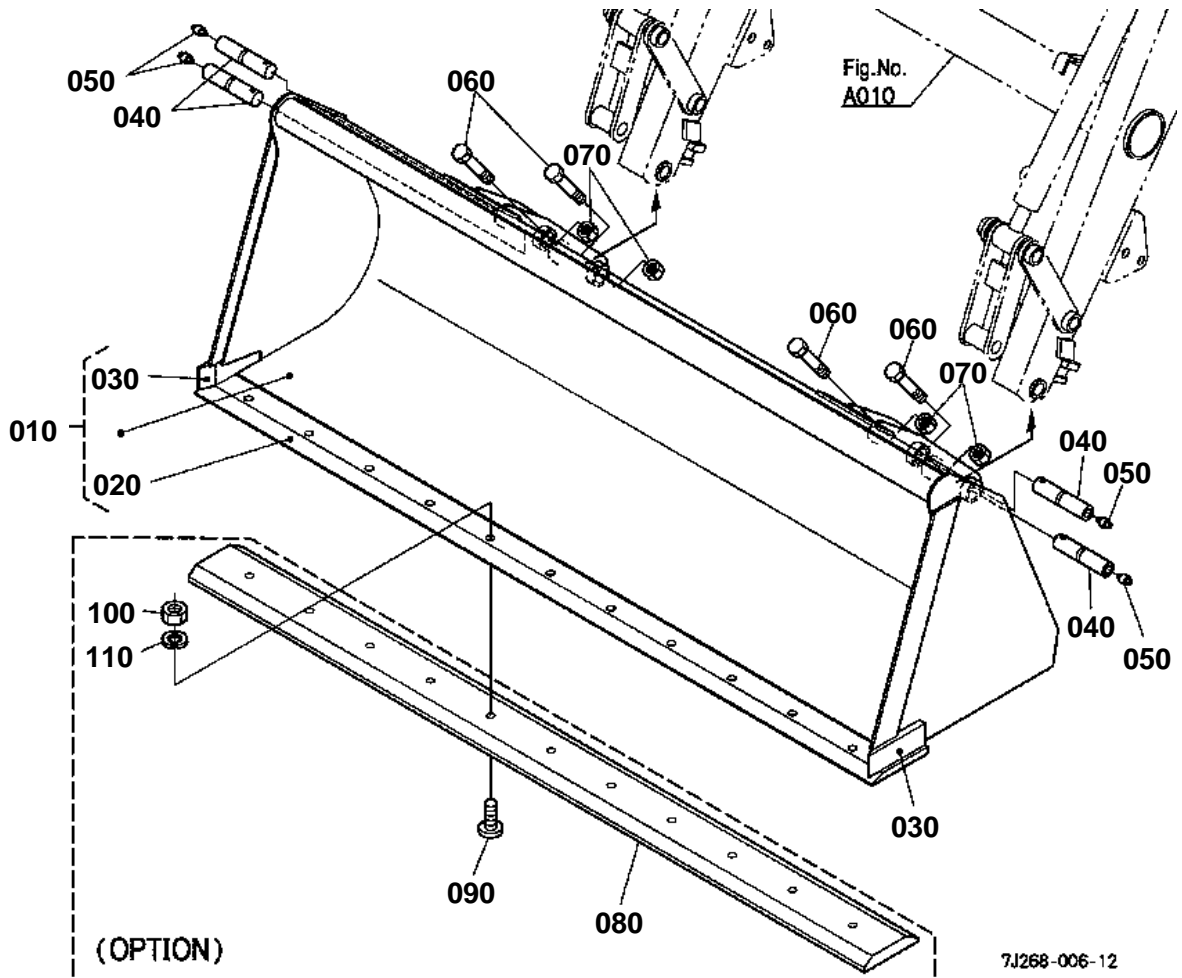


BUCKET
[L2283]

↔ Interchangeable; ≠ not interchangeable; ← new for old; → old for new

REF.No	Part No.	Description	Q'ty	S.No.	I/C	REMARKS	Weight (kgf)	Weight (lb)
010	7J268-59012	BUCKET 72	1	<=11500			0	0
010	7J268-59013	BUCKET 72	1	>=11501	-		0	0
020	75565-59320	EDGE 1 CUTTING	1				31.5	69.3
030	75565-59330	EDGE 2 CUTTING	2				0.87	1.914
040	7J268-58710	PIN 3	4				0.68	1.496
050	75599-81521	FITTING GREASE	4			1/4-28T.T.	0.003	0.0066
060	7J268-58990	BOLT	4			M8*1.25*60	0.026	0.0572
070	02552-50080	NUT LOCK	4			M8	0.005	0.011

BUCKET



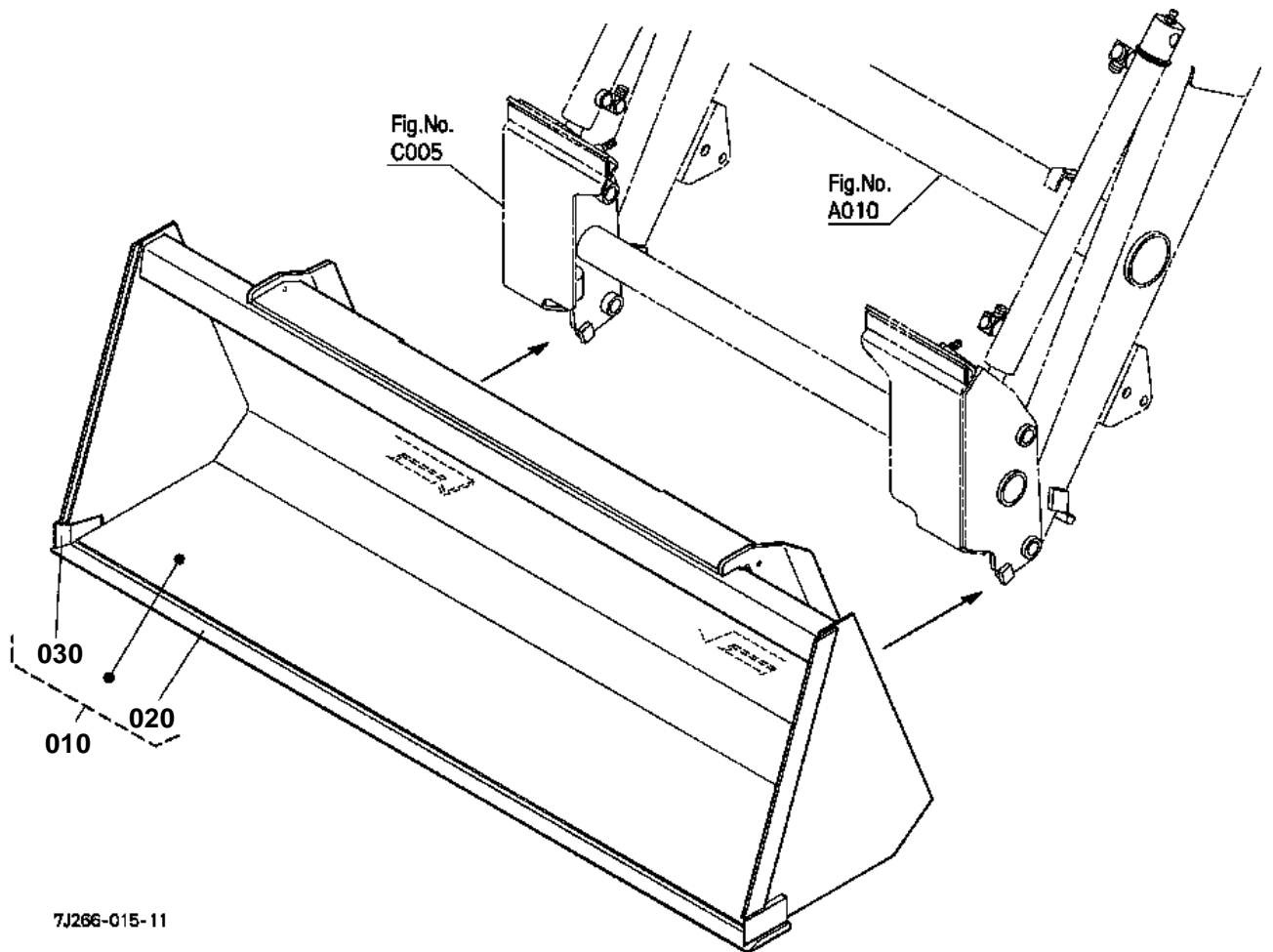


BUCKET
[L2293]BLADE,BOLT ON (TL1748) [OPTION]

↔ Interchangeable; ≠ not interchangeable; ← new for old; → old for new

REF.No	Part No.	Description	Q'ty	S.No.	I/C	REMARKS	Weight (kgf)	Weight (lb)
010	7J268-79014	BUCKET 72H	1				0	0
020	7J268-79322	EDGE 1 CUTTING	1				31	68.2
030	75565-59330	EDGE 2 CUTTING	2				0.87	1.914
040	7J268-58710	PIN 3	4				0.68	1.496
050	75599-81521	FITTING GREASE	4			1/4-28T.T.	0.003	0.0066
060	7J268-58990	HEX.BOLT	4			M8*1.25*60	0.026	0.0572
070	02552-50080	NUT LOCK	4			M8	0.005	0.011
080	75585-79810	BLADE BOLT ON	1			OPTION(ROUND)TL1748	31.5	69.3
090	75599-09535	PLOW BOLT	11			OPTION(ROUND) 1/2-13UNC*1-3/4	0.046	0.1012
100	75599-31015	HEX.NUT	11			OPTION(ROUND) 1/2-13UNC	0.01	0.022
110	75599-33015	WASHER SPRING LOCK	11			OPTION(ROUND) 1/2	0.006	0.0132

QUICK BUCKET



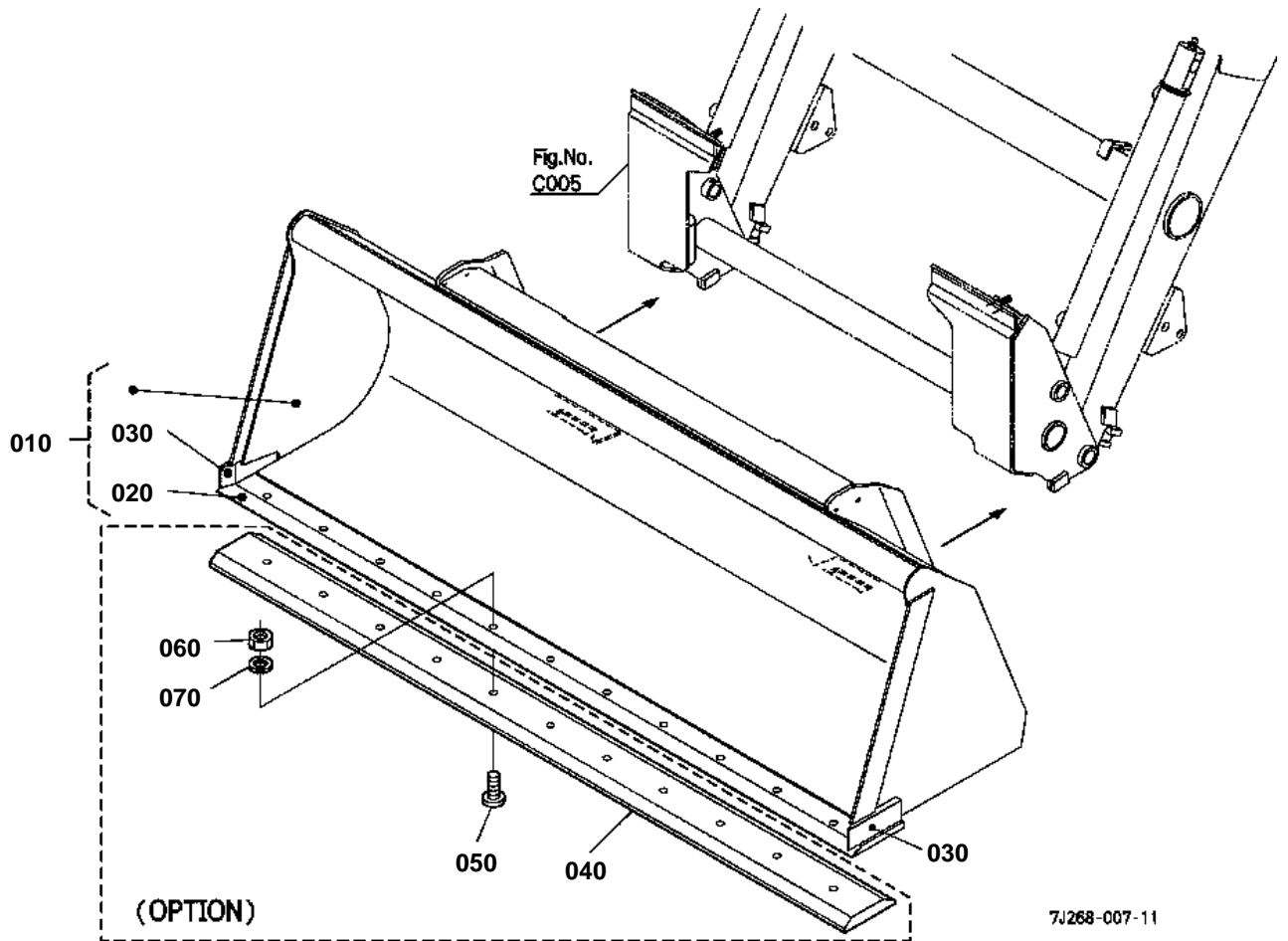


QUICK BUCKET
[L2234]

↔ Interchangeable; ≠ not interchangeable; ← new for old; → old for new

REF.No	Part No.	Description	Q'ty	S.No.	I/C	REMARKS	Weight (kgf)	Weight (lb)
010	7J266-69012	BUCKET 66 QUICK	1	<=10015			0	0
010	7J266-69013	BUCKET 66 QUICK	1	>=10016	→		0	0
010	7J266-69014	BUCKET 66 QUICK	1	>=11501	→		0	0
020	7J266-59322	EDGE 1 CUTTING	1				14	30.8
030	7J266-59332	EDGE 2 CUTTING	2				0.46	1.012

QUICK BUCKET



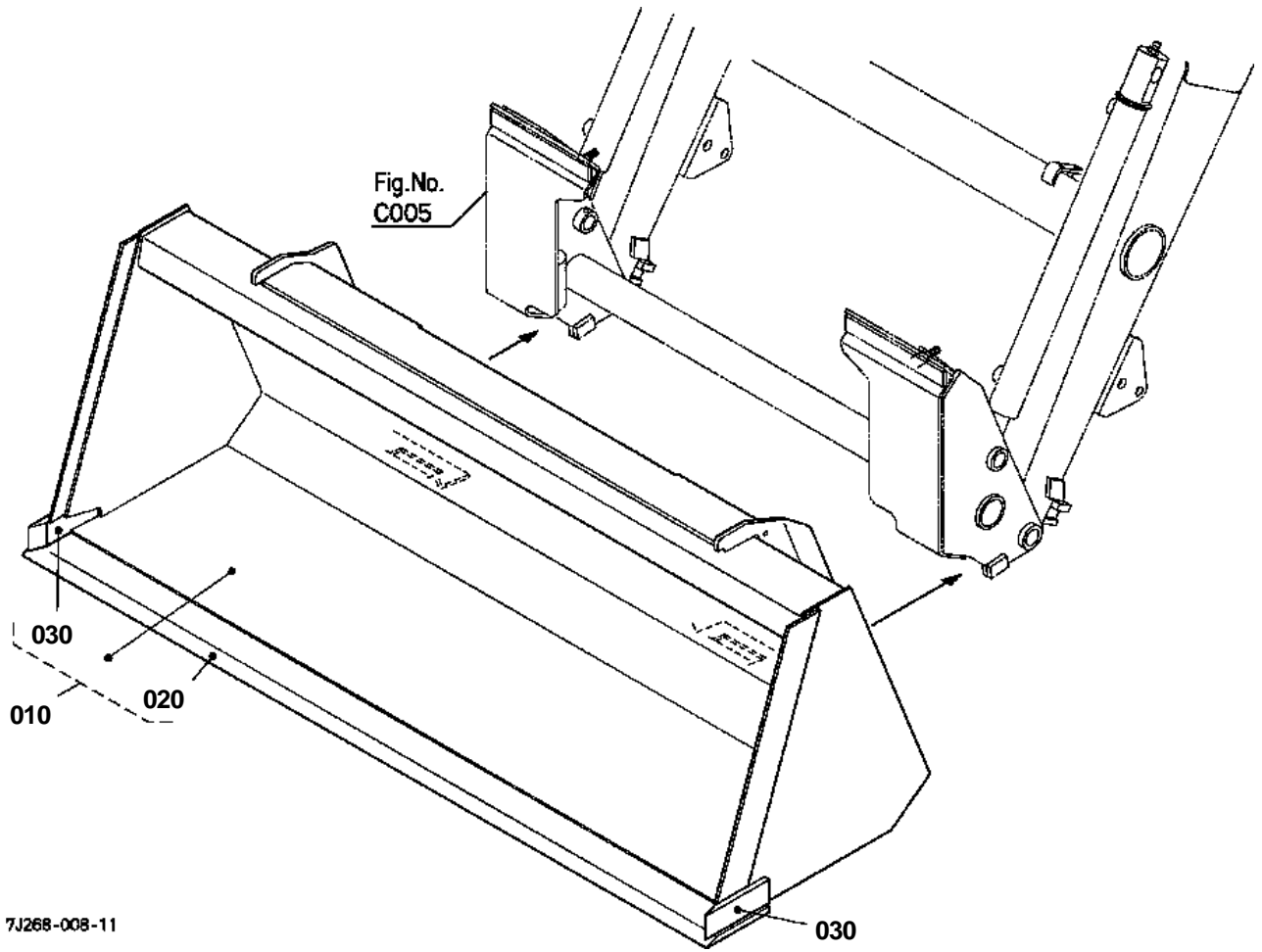


QUICK BUCKET
[L2240]BLADE,BOLT ON (TL1748) [OPTION]

↔ Interchangeable; ≠ not interchangeable; ← new for old; → old for new

REF.No	Part No.	Description	Q'ty	S.No.	I/C	REMARKS	Weight (kgf)	Weight (lb)
010	7J268-89012	BUCKET 72H QUICK	1	<=10015			0	0
010	7J268-89013	BUCKET 72H QUICK	1	>=10016	→		0	0
010	7J268-89014	BUCKET 72H QUICK	1	>=11501	→		0	0
020	7J268-79322	EDGE 1 CUTTING	1				31	68.2
030	75565-59330	EDGE 2 CUTTING	2				0.87	1.914
040	75585-79810	BLADE BOLT ON	1			OPTION(ROUND)TL1748	31.5	69.3
050	75599-09535	PLOW BOLT	11			OPTION(ROUND) 1/2-13UNC*1-3/4	0.046	0.1012
060	75599-31015	HEX.NUT	11			OPTION(ROUND) 1/2-13UNC	0.01	0.022
070	75599-33015	WASHER SPRING LOCK	11			OPTION(ROUND) 1/2	0.006	0.0132

QUICK BUCKET



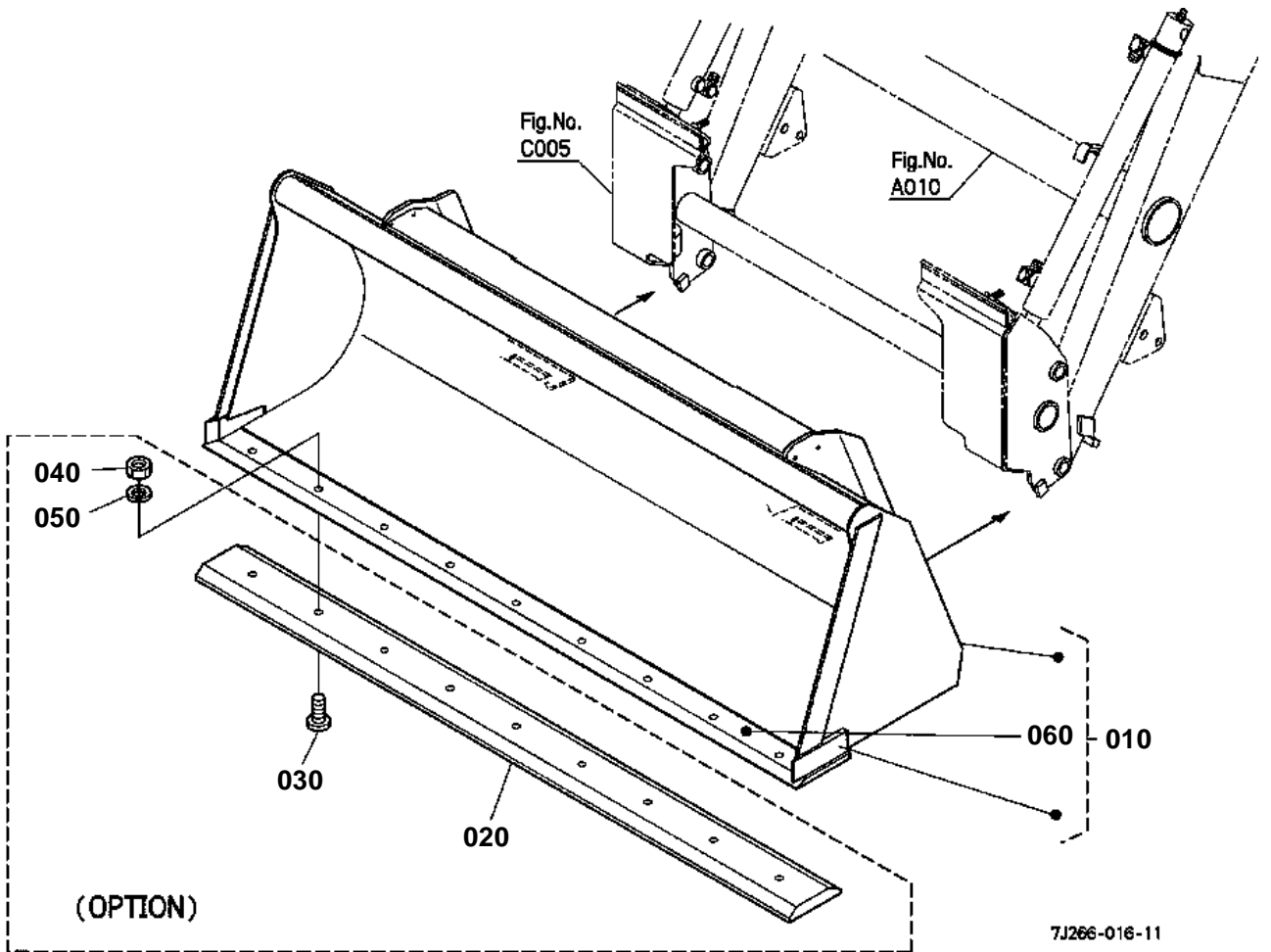


QUICK BUCKET
[L2235]

↔ Interchangeable; ≠ not interchangeable; ← new for old; → old for new

REF.No	Part No.	Description	Q'ty	S.No.	I/C	REMARKS	Weight (kgf)	Weight (lb)
010	7J268-69012	BUCKET 72 QUICK	1	<=10015			0	0
010	7J268-69013	BUCKET 72 QUICK	1	>=10016	→		0	0
010	7J268-69014	BUCKET 72 QUICK	1	>=11501	→		0	0
020	75565-59320	EDGE 1 CUTTING	1				31.5	69.3
030	75565-59330	EDGE 2 CUTTING	2				0.87	1.914

QUICK BUCKET



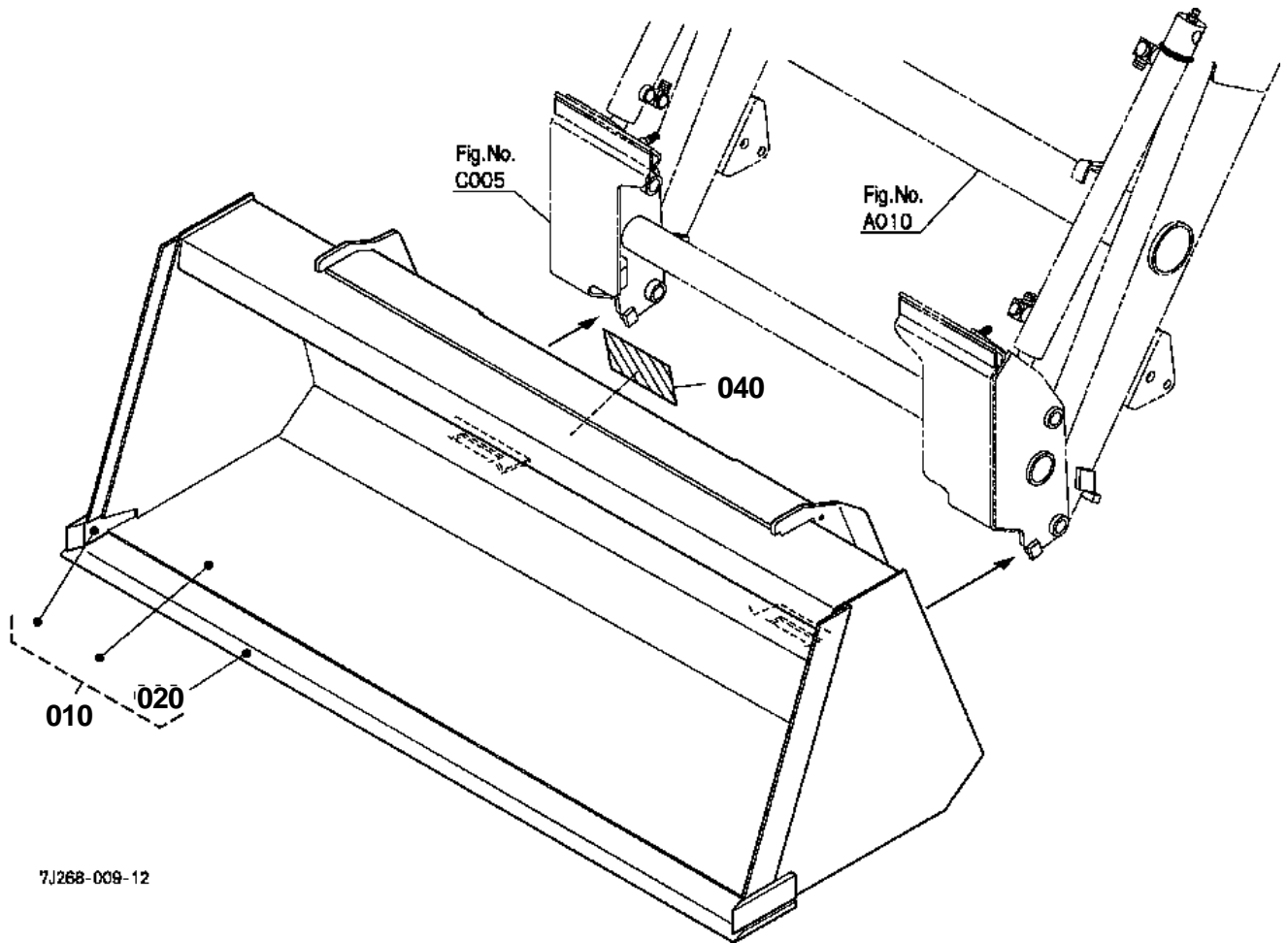


QUICK BUCKET
[L2239]BLADE,BOLT ON (TL1756) [OPTION]

↔ Interchangeable; ≠ not interchangeable; ← new for old; → old for new

REF.No	Part No.	Description	Q'ty	S.No.	I/C	REMARKS	Weight (kgf)	Weight (lb)
010	7J266-89012	BUCKET 66H QUICK	1	<=10015			0	0
010	7J266-89013	BUCKET 66H QUICK	1	>=10016	-		0	0
010	7J266-89014	BUCKET 66H QUICK	1	>=11501	-		0	0
020	75582-79810	BLADE BOLT ON	1			OPTION TL1756	0	0
030	75599-09535	PLOW BOLT	9			OPTION 1/2-13UNC*1-3/4	0.046	0.1012
040	75599-31015	HEX.NUT	9			OPTION 1/2-13UNC	0.01	0.022
050	75599-33015	WASHER SPRING LOCK	9			OPTION 1/2	0.006	0.0132
060	7J266-79322	EDGE 1 CUTTING	1				24	52.8

QUICK BUCKET



7J268-009-12

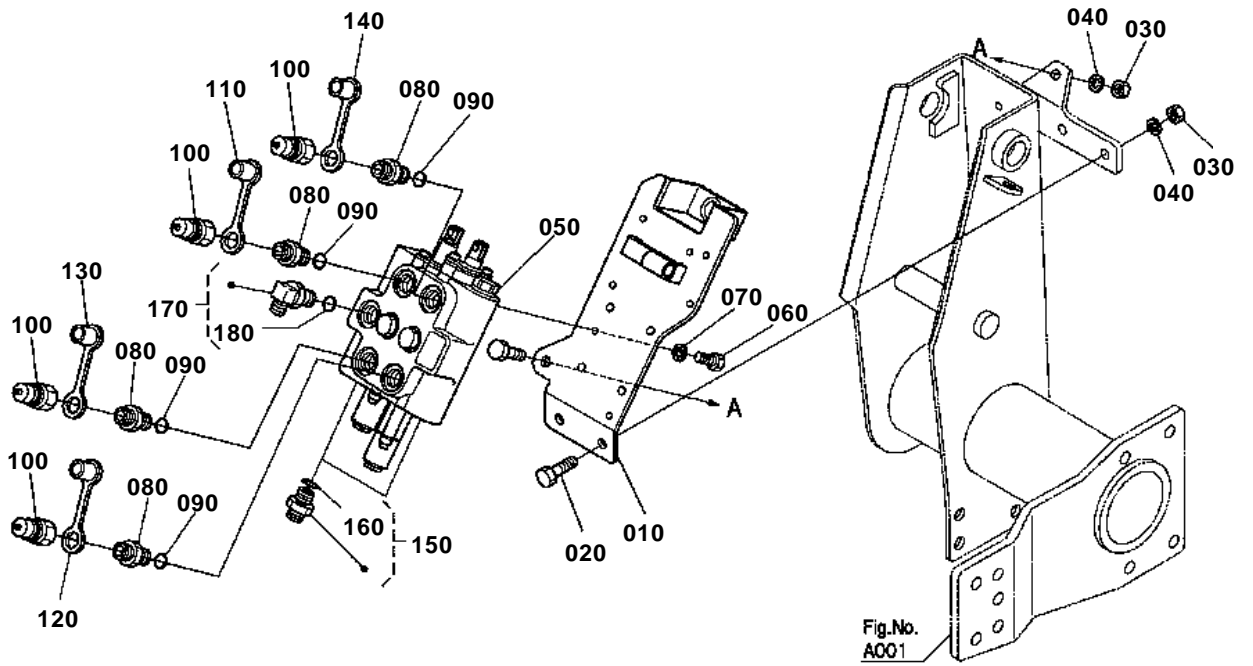


QUICK BUCKET
[L2236]

↔ Interchangeable; ≠ not interchangeable; ← new for old; → old for new

REF.No	Part No.	Description	Q'ty	S.No.	I/C	REMARKS	Weight (kgf)	Weight (lb)
010	7J268-38012	BUCKET 72LM QUICK	1	<=10015			0	0
010	7J268-38013	BUCKET 72LM QUICK	1	>=10016	→		0	0
010	7J268-38014	BUCKET 72LM QUICK	1	>=11501	→		0	0
020	7J267-59322	EDGE 1 CUTTING	1				25.5	56.1
030	99999-99999	BLANK	0				0	0
040	7J268-38610	LABEL LIGHT MATERIAL	1	>=10016			0	0

CONTROL VALVE



7/268-015-11

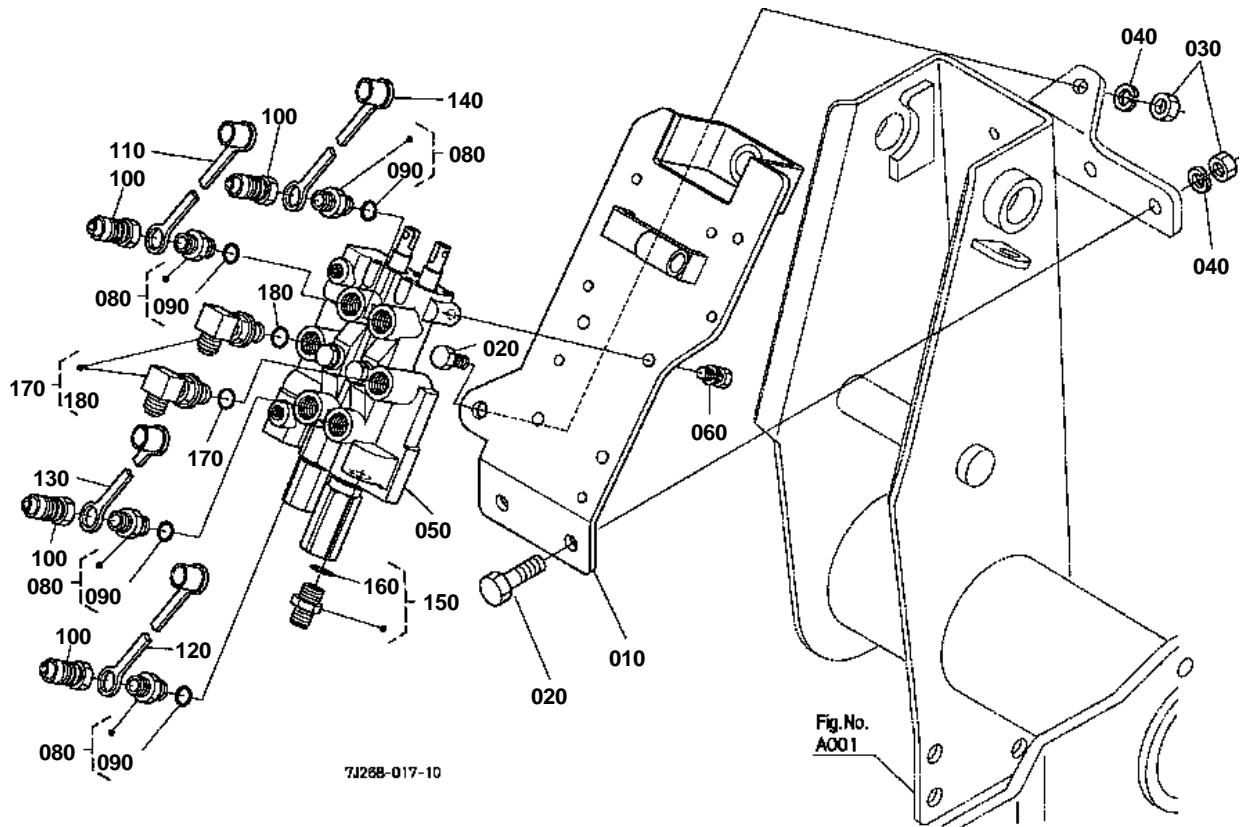


CONTROL VALVE
[STANDARD VALVE TYPE(3P:L2203)]

↔ Interchangeable; ≠ not interchangeable; ← new for old; → old for new

REF.No	Part No.	Description	Q'ty	S.No.	I/C	REMARKS	Weight (kgf)	Weight (lb)
010	7J266-61110	STAY VALVE	1	<=10848			2.5	5.5
010	7J266-61114	STAY VALVE	1	>=10849	-		2.5	5.5
020	01173-51230	BOLT	3			M12*1.25*30	0.037	0.0814
030	02174-50120	NUT	3			M12	0.01	0.022
040	04512-60120	WASHER SPRING	3			M12	0.005	0.011
050	7J240-61010	VALVE CONTROL	1				7.5	16.5
060	75599-01115	HEX.BOLT	2			1/4-20UNC*3/4	0.007	0.0154
070	75599-33011	WASHER SPRING	2			1/4	0.002	0.0044
080	7J243-61850	ASSY ADAPTER	4			3/8NPT	0.05	0.11
090	75540-61820	O-RING	4				0.001	0.0022
100	75540-66220	NIPPLE	4				0.06	0.132
110	7J246-66410	3/8CAP DUST	1			(BLUE)	0.002	0.0044
120	7J246-66420	3/8CAP DUST	1			(YELLOW)	0.005	0.011
130	7J246-66430	3/8CAP DUST	1			(RED)	0.002	0.0044
140	7J246-66440	3/8CAP DUST	1			(WHITE)	0.005	0.011
150	75580-61800	ASSY ADAPTER 1	2				0.06	0.132
160	75540-61820	O-RING	2				0.001	0.0022
170	75560-61950	ASSY ELBOW 2 ADJUSTA	1				0.14	0.308
180	75540-61820	O-RING	1				0.001	0.0022

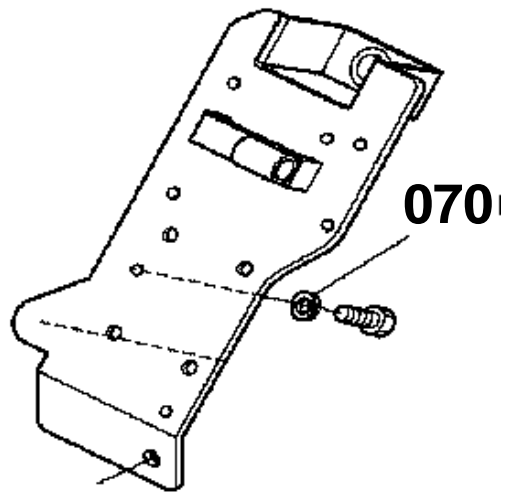
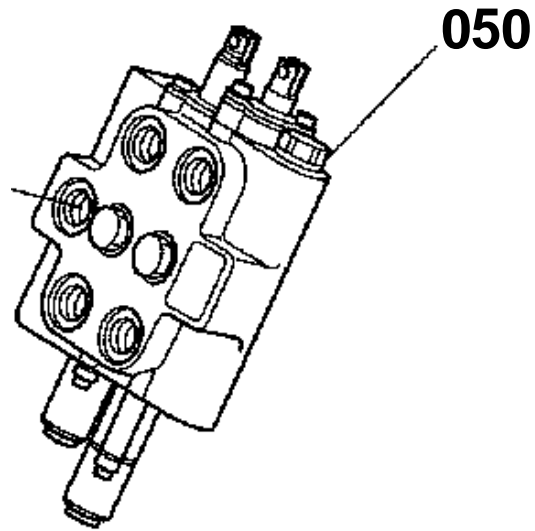
CONTROL VALVE



7J288-017-10

Fig.No.
A001

OLD PARTS



7J266-803-10

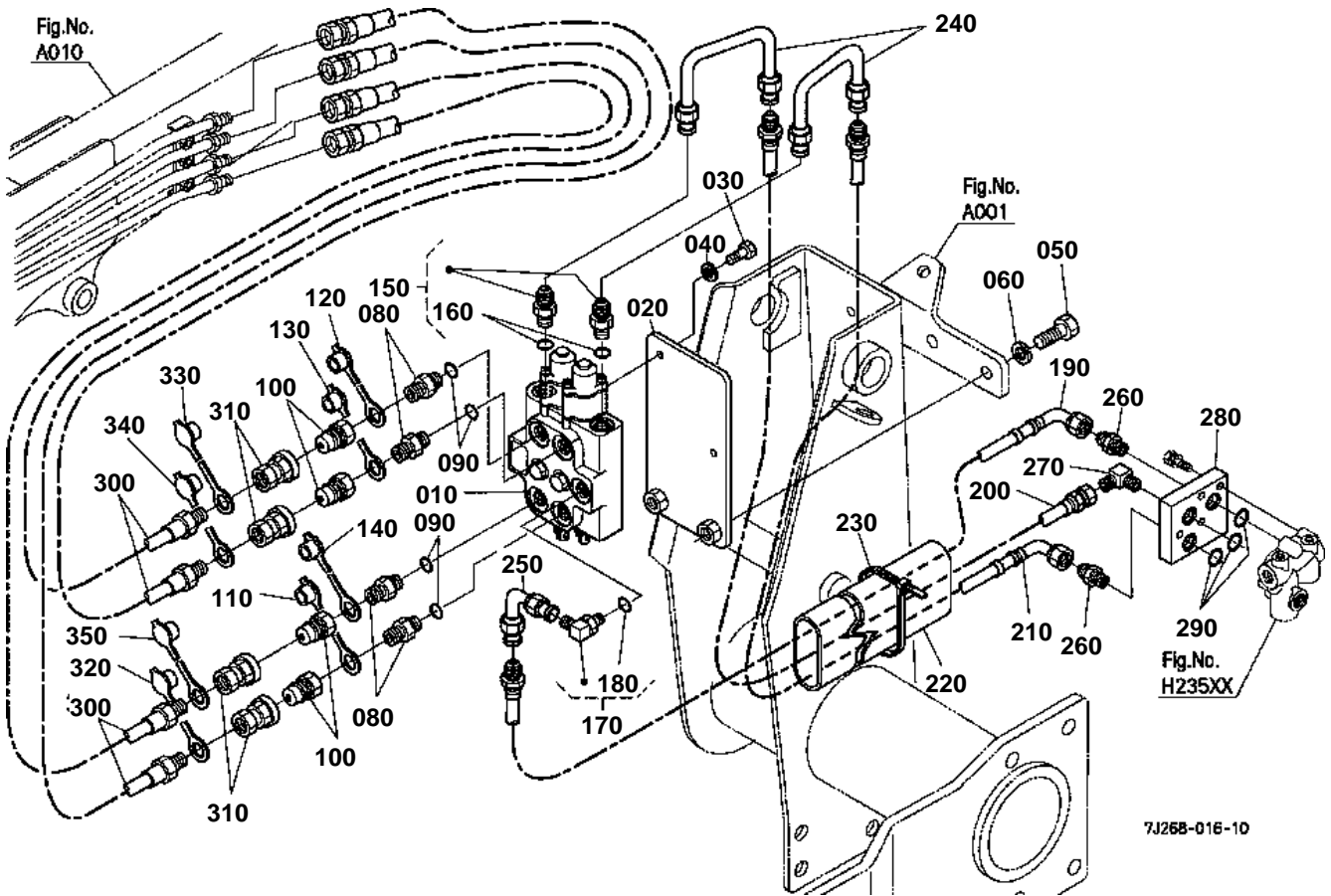


CONTROL VALVE
[STANDARD VALVE TYPE(4P:L2213)]

↔ Interchangeable; ≠ not interchangeable; ← new for old; → old for new

REF.No	Part No.	Description	Q'ty	S.No.	I/C	REMARKS	Weight (kgf)	Weight (lb)
010	7J266-61110	STAY VALVE	1	<=10848			2.5	5.5
010	7J266-61114	STAY VALVE	1	>=10849	→		2.5	5.5
020	01173-51230	BOLT	3			M12*1.25*30	0.037	0.0814
030	02174-50120	NUT	3			M12	0.01	0.022
040	04512-60120	WASHER SPRING	3			M12	0.005	0.011
050	75532-62010	VALVE CONTROL	1	<=19999			7.5	16.5
050	YW240-00100	ASSY VALVE CONTROL	1	>=50001	1		7.08	15.576
060	75599-01115	HEX.BOLT	2	<=19999		1/4-20UNC*3/4	0.007	0.0154
060	01123-50820	BOLT	4	>=50001	1		0.011	0.0242
070	75599-33011	WASHER SPRING	2			1/4	0.002	0.0044
080	7J243-61850	ASSY ADAPTER	4			3/8NPT	0.05	0.11
090	75540-61820	O-RING	4				0.001	0.0022
100	75540-66220	NIPPLE	4				0.06	0.132
110	7J246-66410	3/8CAP DUST	1			(BLUE)	0.002	0.0044
120	7J246-66420	3/8CAP DUST	1			(YELLOW)	0.005	0.011
130	7J246-66430	3/8CAP DUST	1			(RED)	0.002	0.0044
140	7J246-66440	3/8CAP DUST	1			(WHITE)	0.005	0.011
150	75580-61800	ASSY ADAPTER 1	2	<=19999			0.06	0.132
150	75580-61800	ASSY ADAPTER 1	1	>=50001			0.06	0.132
160	75540-61820	O-RING	2	<=19999			0.001	0.0022
160	75540-61820	O-RING	1	>=50001			0.001	0.0022
170	75560-61950	ASSY ELBOW 2 ADJUSTA	1	<=19999			0.14	0.308
170	75560-61950	ASSY ELBOW 2 ADJUSTA	2	>=50001			0.14	0.308
180	75540-61820	O-RING	1	<=19999			0.001	0.0022
180	75540-61820	O-RING	2	>=50001			0.001	0.0022

CONTROL VALVE



7J268-016-10

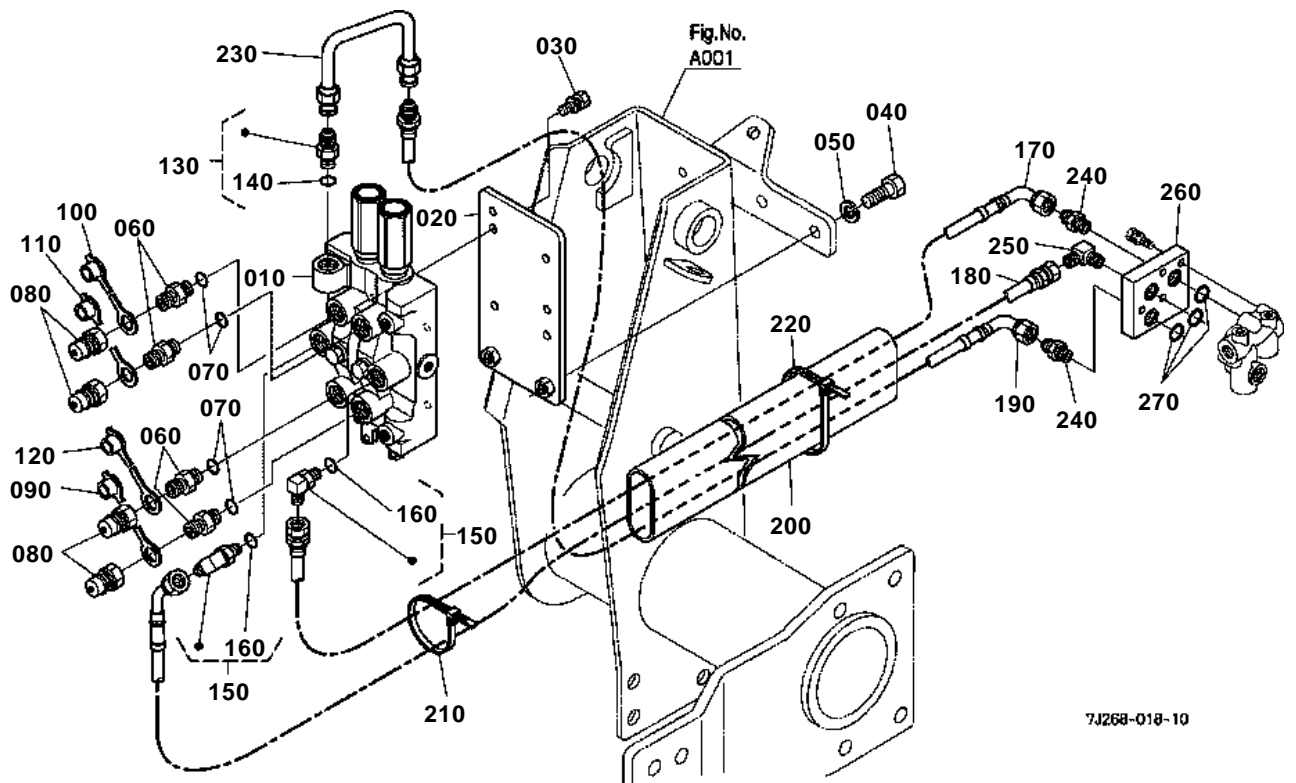


CONTROL VALVE
S.No.;<=19999 [REMOTE VALVE TYPE(L2223)]

↔ Interchangeable; ≠ not interchangeable; ← new for old; → old for new

REF.No	Part No.	Description	Q'ty	S.No.	I/C	REMARKS	Weight (kgf)	Weight (lb)
010	75532-62010	VALVE CONTROL	1				7.5	16.5
020	7J266-71110	STAY VALVE	1				1.212	2.6664
030	75599-01115	HEX.BOLT	2			1/4-20UNC*3/4	0.007	0.0154
040	75599-33011	WASHER SPRING	2			1/4	0.002	0.0044
050	01173-51230	BOLT	2			M12*1.25*30	0.037	0.0814
060	04512-60120	WASHER SPRING	2			M12	0.005	0.011
070	99999-99999	BLANK	0				0	0
080	7J243-61850	ASSY ADAPTER	4			3/8NPT	0.05	0.11
090	75540-61820	O-RING	4				0.001	0.0022
100	75540-66220	NIPPLE	4				0.06	0.132
110	7J246-66410	3/8CAP DUST	1			(BLUE)	0.002	0.0044
120	7J246-66420	3/8CAP DUST	1			(YELLOW)	0.005	0.011
130	7J246-66430	3/8CAP DUST	1			(RED)	0.002	0.0044
140	7J246-66440	3/8CAP DUST	1			(WHITE)	0.005	0.011
150	75580-61800	ASSY ADAPTER 1	2				0.06	0.132
160	75540-61820	O-RING	2				0.001	0.0022
170	75560-61950	ASSY ELBOW 2 ADJUSTA	1				0.14	0.308
180	75540-61820	O-RING	1				0.001	0.0022
190	7J266-76310	HOSE 5 HYDRAULIC	1				0.375	0.825
200	7J266-76410	HOSE 6 HYDRAULIC	1				0.39	0.858
210	7J266-76510	HOSE 7 HYDRAULIC	1				0.42	0.924
220	7J261-66140	SLEEVE(23.0)	1				0.09	0.198
230	75590-64650	BAND CODE	1				0.01	0.022
240	7J240-76430	TUBE PUMP	2				0.17	0.374
250	7J266-76430	TUBE P.B.	1				0.12	0.264
260	75582-66810	ADAPTER 1	2				0.05	0.11
270	75540-64910	ELBOW 1	1				0.11	0.242
280	7J266-68110	BLOCK HYDRAULIC	1				0.93	2.046
290	04817-00160	O RING	3				0.001	0.0022
300	7J266-66110	HOSE 1 HYDRAULIC	4				0.4	0.88
310	75540-66320	COUPLER	4				0.23	0.506
320	7J246-66310	3/8PLUG DUST	1			(BLUE)	0.002	0.0044
330	7J246-66320	3/8PLUG DUST	1			(YELLOW)	0.01	0.022
340	7J246-66330	3/8PLUG DUST	1			(RED)	0.002	0.0044
350	7J246-66340	3/8PLUG DUST	1			(WHITE)	0.002	0.0044

CONTROL VALVE



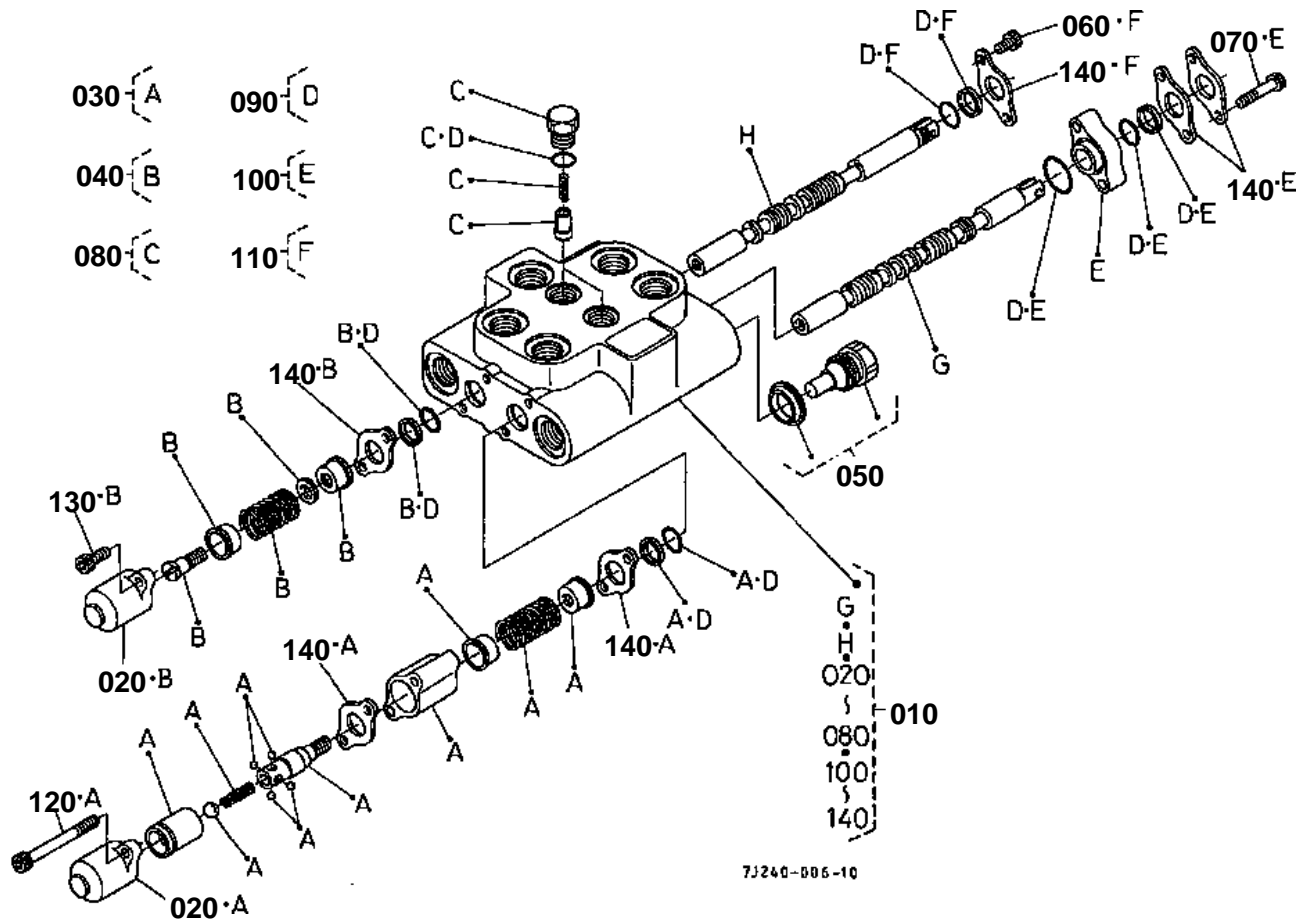


CONTROL VALVE
S.No.;>=50001 [REMOTE VALVE TYPE(L2223)]

↔ Interchangeable; ≠ not interchangeable; ← new for old; → old for new

REF.No	Part No.	Description	Q'ty	S.No.	I/C	REMARKS	Weight (kgf)	Weight (lb)
010	YW240-00100	ASSY VALVE CONTROL	1				7.08	15.576
020	7J266-71113	STAY VALVE	1				1.212	2.6664
030	01123-50820	BOLT	4				0.011	0.0242
040	01173-51230	BOLT	2			M12*1.25*30	0.037	0.0814
050	04512-60120	WASHER SPRING	2			M12	0.005	0.011
060	7J243-61850	ASSY ADAPTER	4			3/8NPT	0.05	0.11
070	75540-61820	O-RING	4				0.001	0.0022
080	75540-66220	NIPPLE	4				0.06	0.132
090	7J246-66410	3/8CAP DUST	1			(BLUE)	0.002	0.0044
100	7J246-66420	3/8CAP DUST	1			(YELLOW)	0.005	0.011
110	7J246-66430	3/8CAP DUST	1			(RED)	0.002	0.0044
120	7J246-66440	3/8CAP DUST	1			(WHITE)	0.005	0.011
130	75580-61800	ASSY ADAPTER 1	2				0.06	0.132
140	75540-61820	O-RING	2				0.001	0.0022
150	75560-61950	ASSY ELBOW 2 ADJUSTA	2				0.14	0.308
160	75540-61820	O-RING	2				0.001	0.0022
170	7J266-76710	HOSE 5 HYDRAULIC	1				0.4	0.88
180	7J266-76810	HOSE 6 HYDRAULIC	1				0.38	0.836
190	7J266-76910	HOSE 7 HYDRAULIC	1				0.45	0.99
200	75567-76320	SLEEVE P.B.	1				0.049	0.1078
210	75582-66360	BAND	1				0.02	0.044
220	75590-64650	BAND CODE	1				0.01	0.022
230	7J240-76430	TUBE PUMP	1				0.17	0.374
240	75582-66810	ADAPTER 1	2				0.05	0.11
250	75540-64910	ELBOW 1	1				0.11	0.242
260	7J266-68110	BLOCK HYDRAULIC	1				0.93	2.046
270	04817-00160	O RING	3				0.001	0.0022

CONTROL VALVE [COMPONENT PARTS]



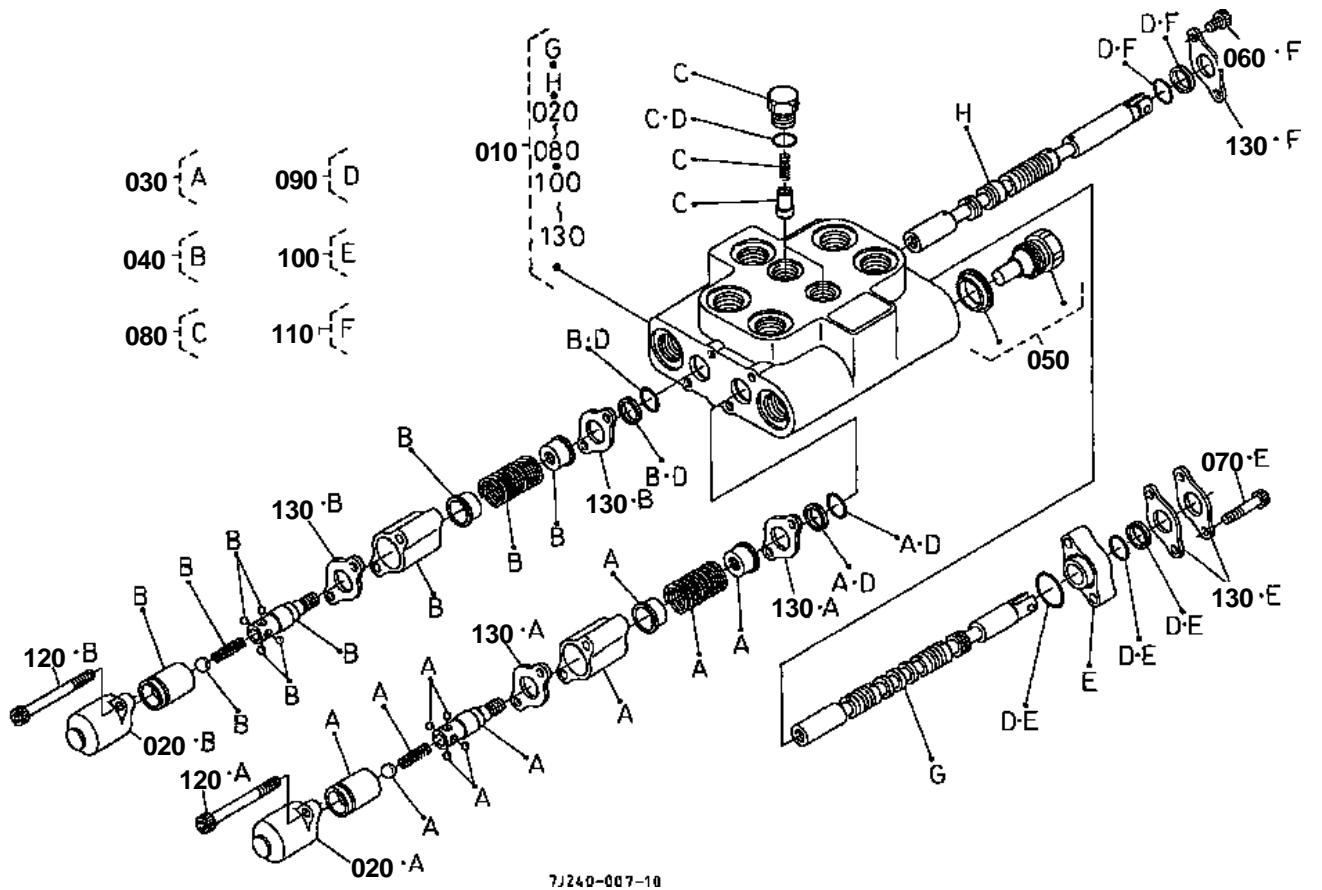


CONTROL VALVE [COMPONENT PARTS]
[3P TYPE(L2203)]

↔ Interchangeable; ≠ not interchangeable; ← new for old; → old for new

REF.No	Part No.	Description	Q'ty	S.No.	I/C	REMARKS	Weight (kgf)	Weight (lb)
010	7J240-61010	VALVE CONTROL	1				7.5	16.5
020	75540-61450	CAP-SPOOL	2	<=11854		5028	0.032	0.0704
020	7J266-61450	CAP-SPOOL	2	>=11855	-	5028-6	0.2	0.44
030	75536-65400	KIT DETENT FLOAT	1			59221	0.21	0.462
040	7J240-65100	KIT REGEN.	1			59243	0.1	0.22
050	75546-65100	SHUT-OFF PLUG ASSY	1			52610	0.1	0.22
060	75536-65700	CAP SCREW-SOC.HD.	2			3386	0.002	0.0044
070	75540-61410	CAP SCREW-SOC.HD.	2			3424	0.01	0.022
080	75536-65200	KIT LOAD CHECK	2			59238	0.03	0.066
090	75536-65300	KIT SEAL	1			59239	0.006	0.0132
100	75536-65500	KIT UPPER BOOM SPOOL	1			59223	0.102	0.2244
110	75536-65600	KIT UPPER BKT SPOOL	1			59224	0.025	0.055
120	75536-65900	CAP SCREW-SOC.HD.	2			5217	0.02	0.044
130	75540-61460	CAP SCREW-SOC.HD.	2			5035	0.001	0.0022
140	75540-61330	PLATE-SEAL	6			5012	0.012	0.0264

CONTROL VALVE [COMPONENT PARTS]



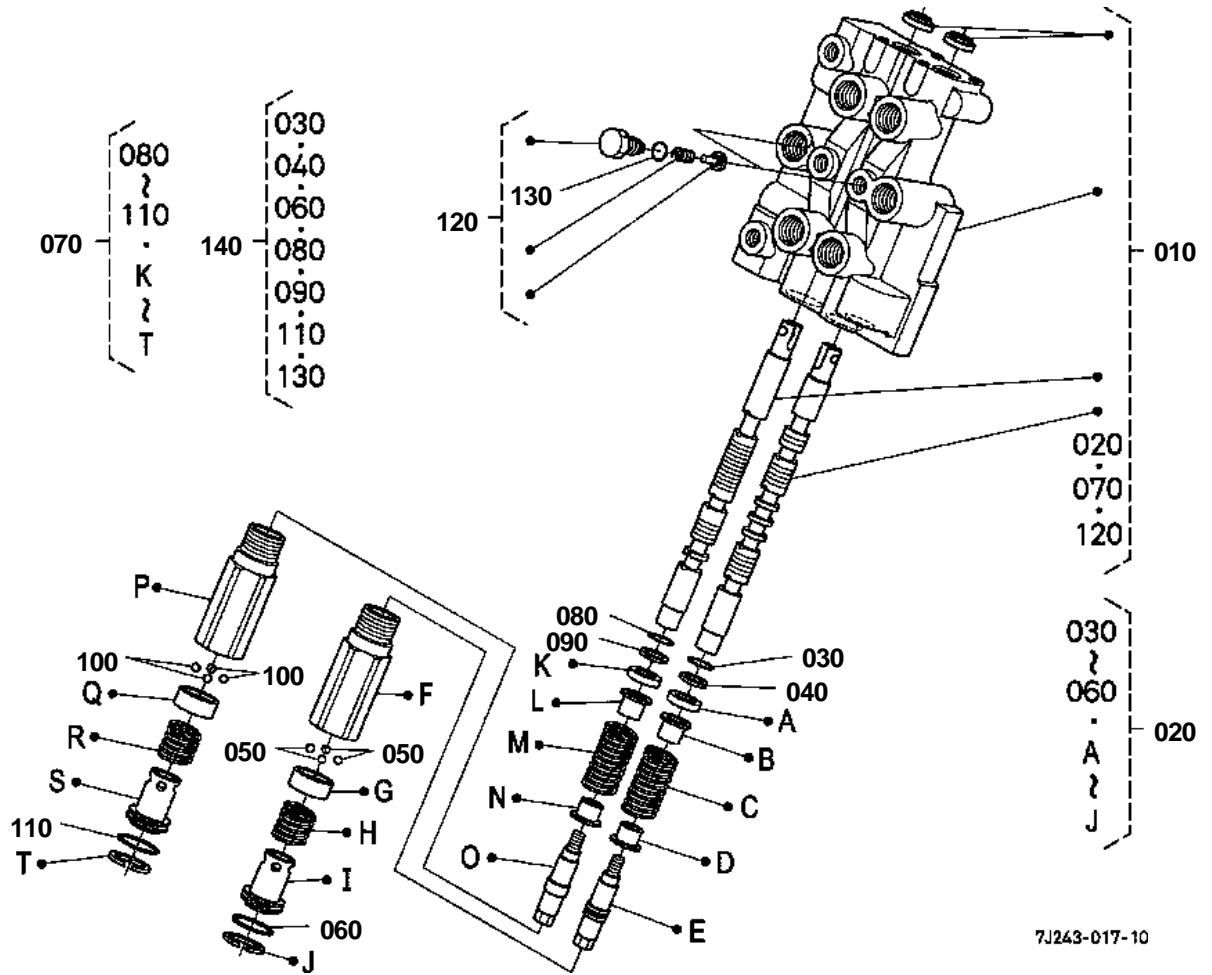
**CONTROL VALVE [COMPONENT PARTS]**

S.No.;<=19999 [4P TYPE(L2213/L2223)]

↔ Interchangeable; ≠ not interchangeable; ← new for old; → old for new

REF.No	Part No.	Description	Q'ty	S.No.	I/C	REMARKS	Weight (kgf)	Weight (lb)
010	75532-62010	VALVE CONTROL	1				7.5	16.5
020	75540-61450	CAP-SPOOL	2	<=11854		5028	0.032	0.0704
020	7J266-61450	CAP-SPOOL	2	>=11855	-	5028-6	0.2	0.44
030	75536-65400	KIT DETENT FLOAT	1			59221	0.21	0.462
040	75536-65100	KIT DETENT REGEN.	1			59222	0.23	0.506
050	75546-65100	SHUT-OFF PLUG ASSY	1			52610	0.1	0.22
060	75536-65700	CAP SCREW-SOC.HD.	2			3386	0.002	0.0044
070	75540-61410	CAP SCREW-SOC.HD.	2			3424	0.01	0.022
080	75536-65200	KIT LOAD CHECK	2			59238	0.03	0.066
090	75536-65300	KIT SEAL	1			59239	0.006	0.0132
100	75536-65500	KIT UPPER BOOM SPOOL	1			59223	0.102	0.2244
110	75536-65600	KIT UPPER BKT SPOOL	1			59224	0.025	0.055
120	75536-65900	CAP SCREW-SOC.HD.	4			5217	0.02	0.044
130	75540-61330	PLATE-SEAL	7			5012	0.012	0.0264

CONTROL VALVE [COMPONENT PARTS]



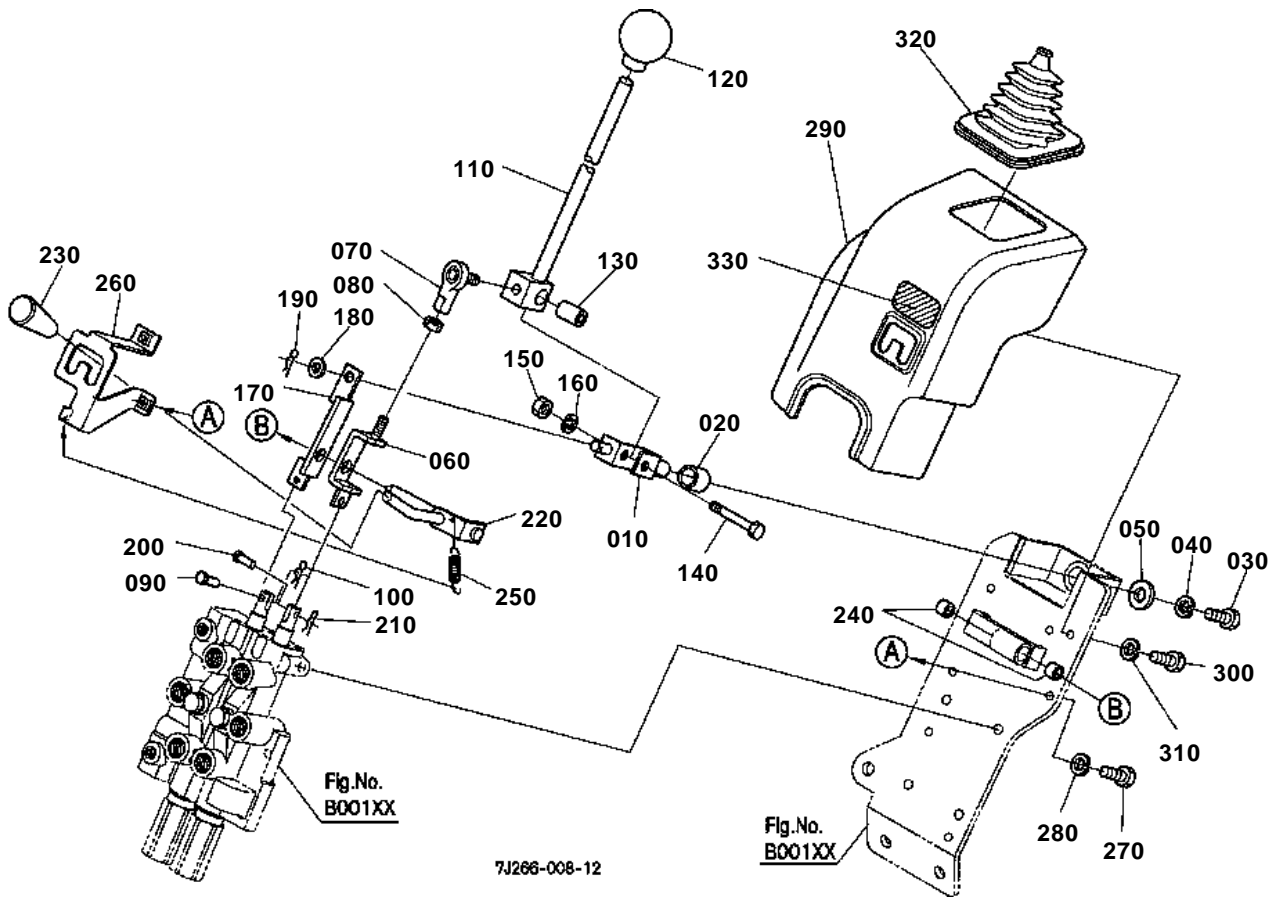
**CONTROL VALVE [COMPONENT PARTS]**

S.No.;>=50001 [4P TYPE(L2213/L2223)]

↔ Interchangeable; ≠ not interchangeable; ← new for old; → old for new

REF.No	Part No.	Description	Q'ty	S.No.	I/C	REMARKS	Weight (kgf)	Weight (lb)
010	YW240-00100	ASSY VALVE CONTROL	1				7.08	15.576
020	YW232-91100	KIT PLUG DETENT 1	1				0.43	0.946
030	04817-00140	O RING	1				0.001	0.0022
040	34076-66250	RING BACK UP	1				0.005	0.011
050	07715-01603	BALL	4				0.001	0.0022
060	04817-06250	O RING	1				0.001	0.0022
070	YW242-92100	KIT PLUG DETENT 2	1				0.43	0.946
080	04817-00140	O RING	1				0.001	0.0022
090	34076-66250	RING BACK UP	1				0.005	0.011
100	07715-01603	BALL	4				0.001	0.0022
110	04817-06250	O RING	1				0.001	0.0022
120	YW232-93100	KIT VALVE LOAD CHECK	2				0.04	0.088
130	04817-00100	O RING	1				0.001	0.0022
140	YW242-94100	KIT SEAL	1				0.01	0.022

CONTROL LEVER



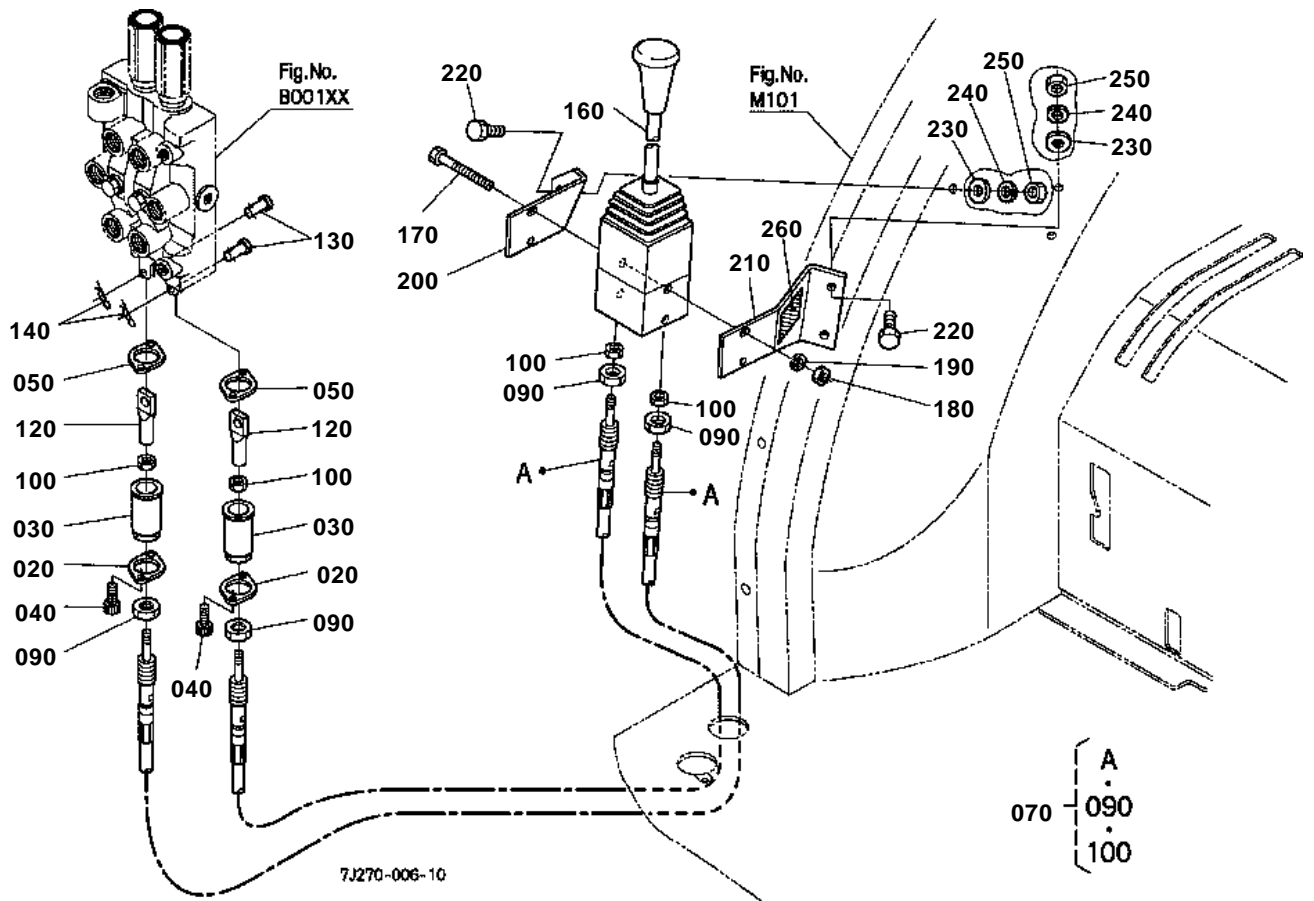


CONTROL LEVER
[STANDARD VALVE TYPE]

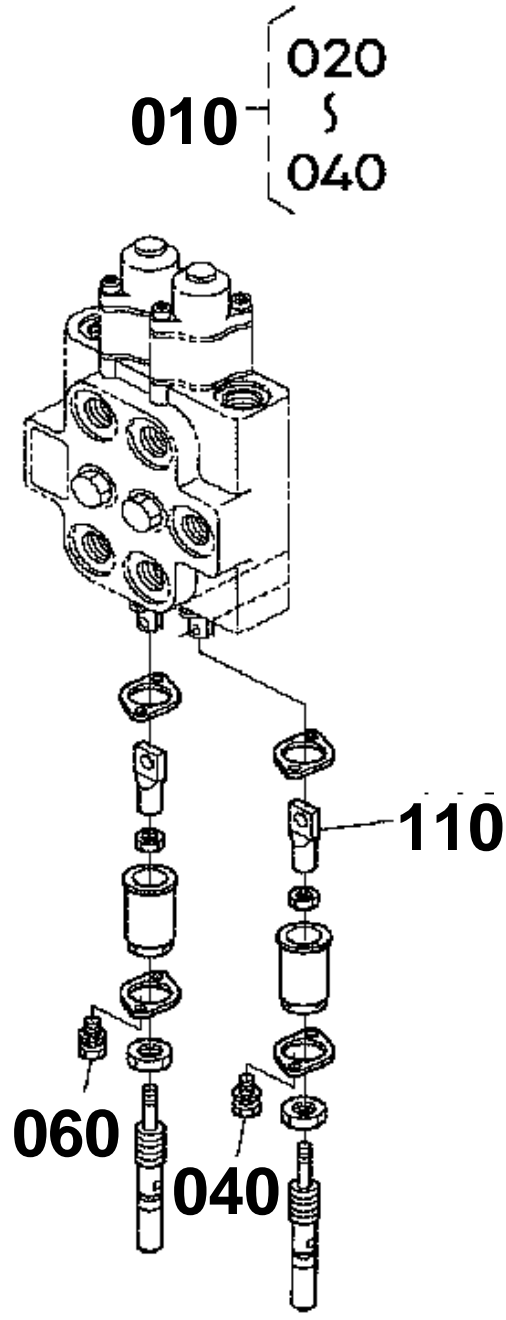
↔ Interchangeable; ≠ not interchangeable; ← new for old; → old for new

REF.No	Part No.	Description	Q'ty	S.No.	I/C	REMARKS	Weight (kgf)	Weight (lb)
010	7J266-62115	LEVER	1				0.18	0.396
020	08511-01625	BUSH	1				0.01	0.022
030	01053-50818	BOLT	1			M8*1.00*18	0.011	0.0242
040	04512-60080	WASHER SPRING	1			M8	0.002	0.0044
050	04015-60080	WASHER PLAIN	1			M8	0.01	0.022
060	7J266-62160	LEVER 1 LOCK	1	<=10848			0.102	0.2244
060	7J266-62163	LEVER 1 LOCK	1	>=10849	↔		0.14	0.308
070	75532-62260	JOINT ROD END	1				0.05	0.11
080	75599-31022	NUT	1			5/16-24UNF	0.015	0.033
090	75540-62190	PIN	1				0.018	0.0396
100	05525-60500	PIN SNAP	1				0.001	0.0022
110	7J266-62210	LEVER CONTROL	1				0.59	1.298
120	31355-82520	GRIP LEVER	1				0.05	0.11
130	7J266-72150	SLEEVE	1				0.001	0.0022
140	01073-51050	BOLT	1			M10*1.25*50	0.038	0.0836
150	02018-50100	NUT	1			M10	0.011	0.0242
160	04512-60100	WASHER SPRING	1			M10	0.002	0.0044
170	7J266-62280	LEVER 2 LOCK	1	<=11854			0.11	0.242
170	7J266-62283	LEVER 2 LOCK	1	>=11855	↔		0.11	0.242
180	04013-60100	WASHER PLAIN	1			M10	0.003	0.0066
190	05525-61000	PIN SNAP	1				0.002	0.0044
200	75540-62190	PIN	1				0.018	0.0396
210	05525-60500	PIN SNAP	1				0.001	0.0022
220	7J266-62410	LEVER LOCK	1	<=11854			0.16	0.352
220	7J266-62413	LEVER LOCK	1	>=11855	↔		0.16	0.352
220	7J266-62414	LEVER LOCK	1	>=50001	1		0.16	0.352
230	36330-82450	GRIP	1	<=19999			0.025	0.055
230	06914-00100	GRIP LEVER	1	>=50001	1		0.02	0.044
240	08511-01210	BUSH	2				0.005	0.011
250	7J266-62810	SPRING LOCK	1	<=19999			0.001	0.0022
250	7J266-62813	SPRING LOCK	1	>=50001	1		0.1	0.22
260	7J266-62510	GUIDE LEVER	1				0.2	0.44
270	01053-50616	BOLT	2			M6*1.00*16	0.005	0.011
280	04512-60060	WASHER SPRING	2			M6	0.001	0.0022
290	7J266-62314	COVER	1	<=10848			0	0
290	7J266-62315	COVER	1	>=10849	↔		0.01	0.022
300	01053-50616	BOLT	3			M6*1.00*16	0.005	0.011
310	04512-60060	WASHER SPRING	3			M6	0.001	0.0022
320	7J266-62710	BOOT CONTROL LEVER	1				0.01	0.022
330	7J266-62910	LABEL C/V LOCK	1				0.001	0.0022

CONTROL LEVER



OLD PARTS



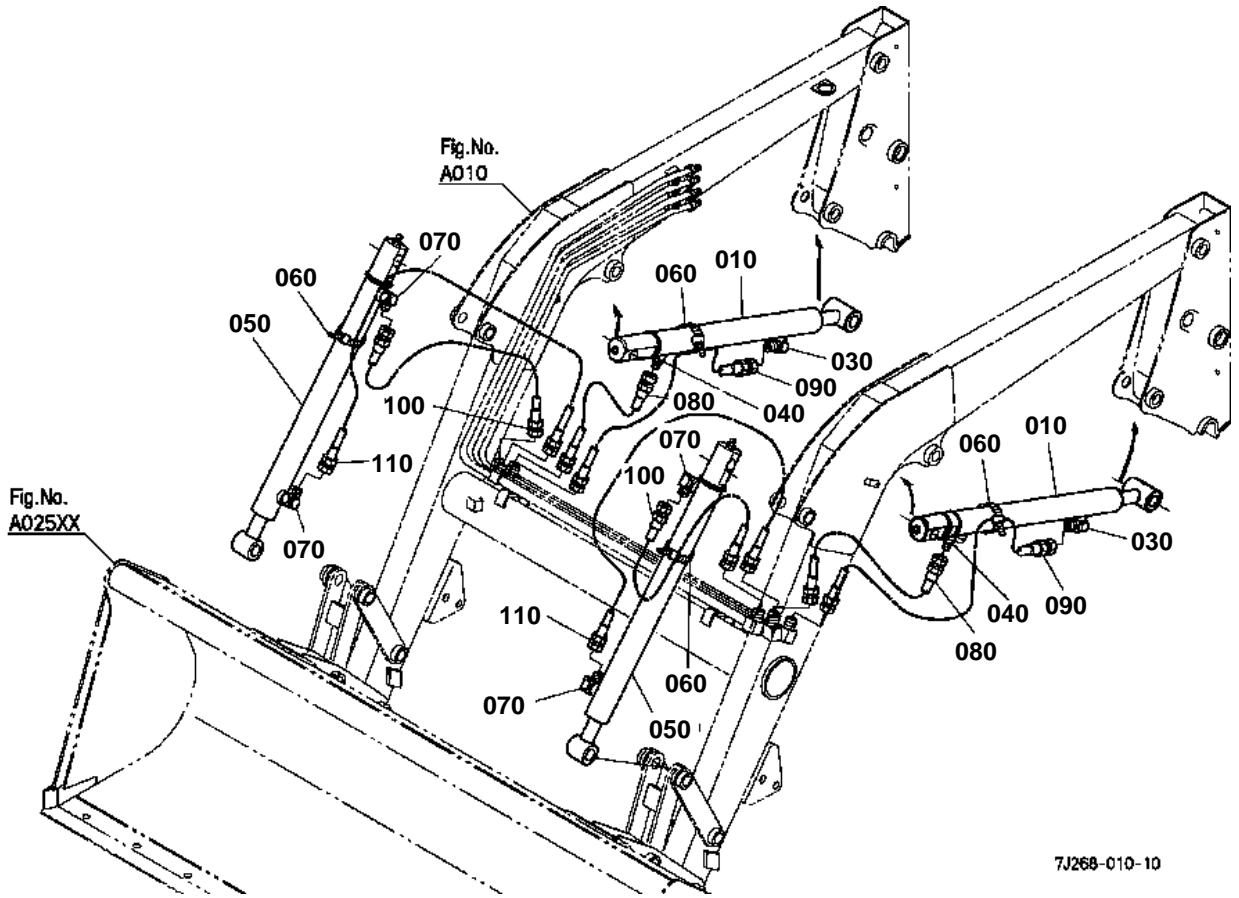
7J266-804-10



CONTROL LEVER
[REMOTE VALVE TYPE]

↔ Interchangeable; ≠ not interchangeable; ← new for old; → old for new

REF.No	Part No.	Description	Q'ty	S.No.	I/C	REMARKS	Weight (kgf)	Weight (lb)
010	7J261-77110	KIT CABLE END	2	<=19999			0.072	0.1584
020	7J261-77140	FLANGE	2				0.01	0.022
030	7J261-77150	SLEEVE	2				0.055	0.121
040	75599-17115	SCREW S.H.	2	<=19999		1/4UNC*3/4	0.005	0.011
040	01311-10616	BOLT HEX-SOC-HD	4	>=50001	1		0.005	0.011
050	7J240-77172	GASKET	2				0.002	0.0044
060	75599-17130	SCREW S.H.	2	<=19999		1/4UNC*1-1/2	0.01	0.022
070	7J266-77200	ASSY CABLE	2			1700	0.5	1.1
080	99999-99999	BLANK	0				0	0
090	75568-77220	NUT	4			M16*1.5	0.021	0.0462
100	02014-50060	NUT	4			M6	0.002	0.0044
110	75568-77110	END CABLE	1	<=19999			0.026	0.0572
120	7J261-77250	END CABLE	1	<=19999			0.02	0.044
120	7J261-77250	END CABLE	2	>=50001			0.02	0.044
130	75540-62190	PIN	2				0.018	0.0396
140	05525-60500	PIN SNAP	2				0.001	0.0022
150	99999-99999	BLANK	0				0	0
160	75568-77500	CONTROLLER	1				2.395	5.269
170	01053-50685	BOLT	2			M6*1.00*85	0	0
180	02014-50060	NUT	2			M6	0.002	0.0044
190	04512-60060	WASHER SPRING	2			M6	0.001	0.0022
200	7J266-77710	STAY 1 CONTROLLER	1				0.1	0.22
210	7J266-77720	STAY 2 CONTROLLER	1				0.4	0.88
220	01053-50825	BOLT	3			M8*1.00*25	0.014	0.0308
230	04015-60080	WASHER PLAIN	3			M8	0.01	0.022
240	04512-60080	WASHER SPRING	3			M8	0.002	0.0044
250	02054-50080	NUT	3			M8	0.005	0.011
260	7J266-77740	LABEL R/V LOCK	1				0.001	0.0022



7J268-010-10

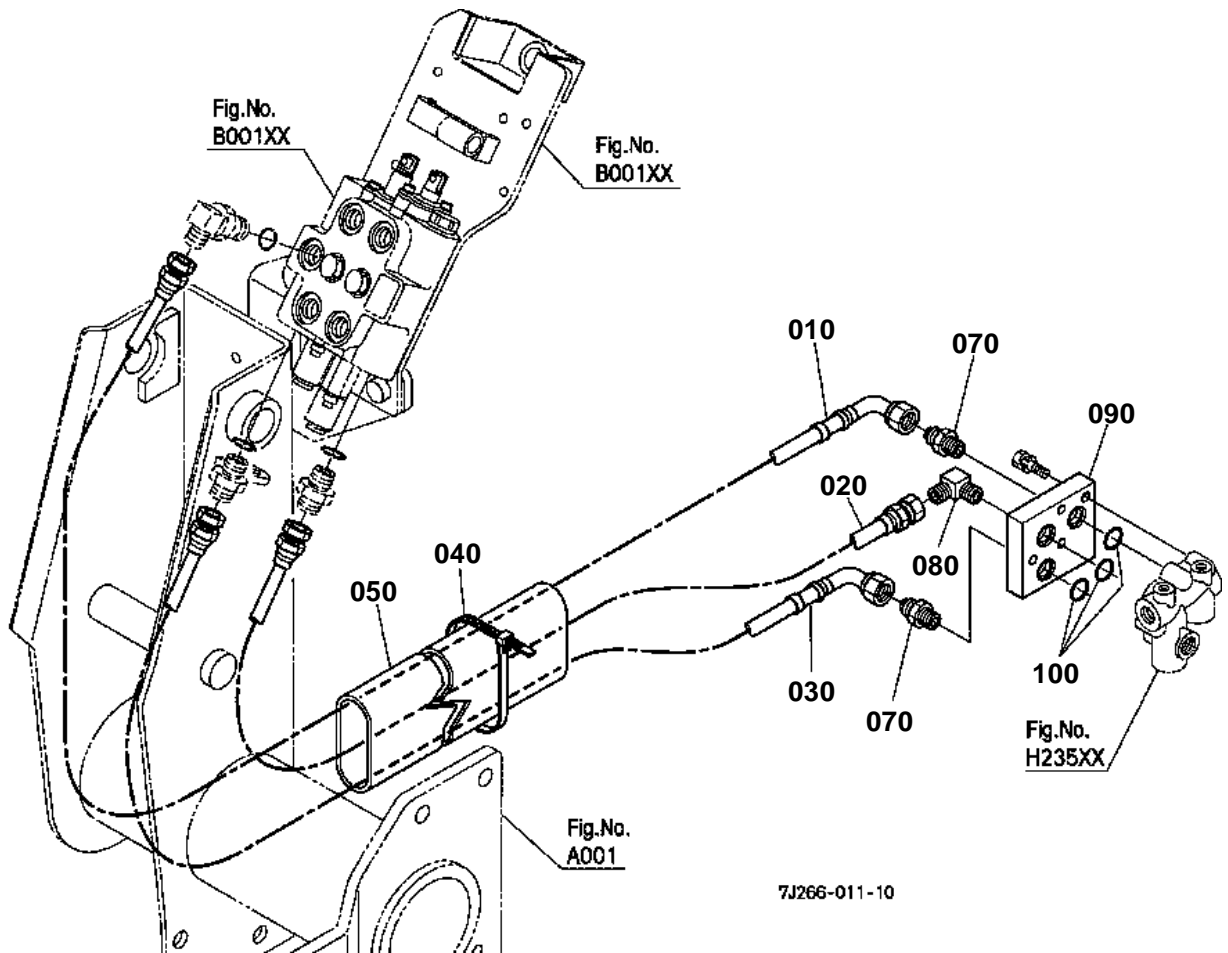


CYLINDER/HYDRAULIC HOSE

↔ Interchangeable; ≠ not interchangeable; ← new for old; → old for new

REF.No	Part No.	Description	Q'ty	S.No.	I/C	REMARKS	Weight (kgf)	Weight (lb)
010	7J268-63010	CYLINDER 1	2				15.23	33.506
020	99999-99999	BLANK	0				0	0
030	75540-64910	ELBOW 1	2				0.11	0.242
040	75594-63680	ADAPTER(NPTF)	2				0.005	0.011
050	7J268-64010	CYLINDER 2	2				13	28.6
060	75590-64650	BAND CODE	4				0.01	0.022
070	75540-64910	ELBOW 1	4				0.11	0.242
080	7J267-66610	HOSE 8 HYDRAULIC	2				0.39	0.858
090	7J268-66620	HOSE 9 HYDRAULIC	2				0.5	1.1
100	7J268-66630	HOSE 10 HYDRAULIC	2				0.32	0.704
110	7J267-66640	HOSE 11 HYDRAULIC	2				0.388	0.8536

HYDRAULIC HOSE(HYD.OUTLET BLOCK)



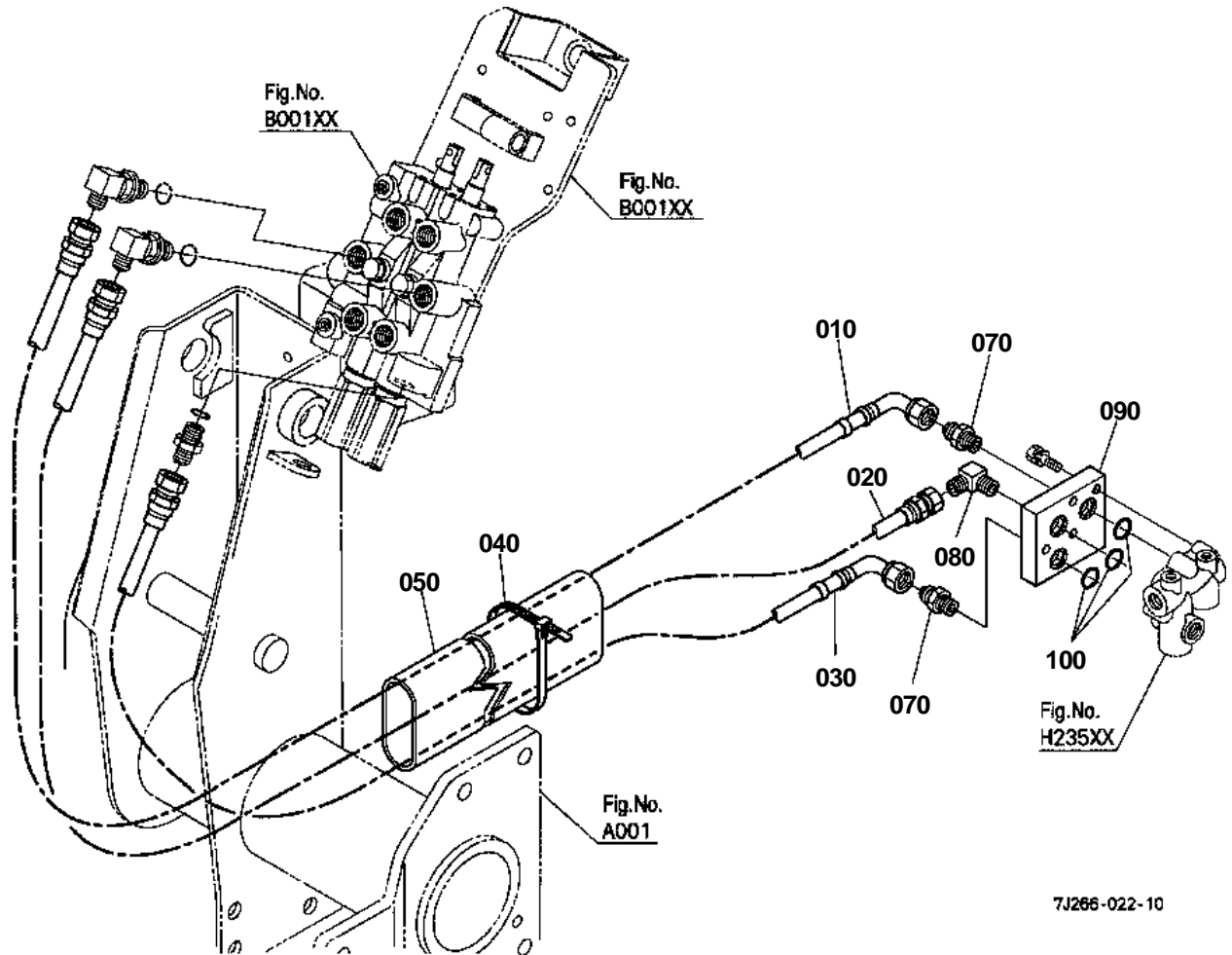
**HYDRAULIC HOSE(HYD.OUTLET BLOCK)**

S.No.;<=19999 [STANDARD VALVE TYPE]

↔ Interchangeable; ≠ not interchangeable; ← new for old; → old for new

REF.No	Part No.	Description	Q'ty	S.No.	I/C	REMARKS	Weight (kgf)	Weight (lb)
010	7J266-66310	HOSE 5 HYDRAULIC	1				0.42	0.924
020	7J266-66410	HOSE 6 HYDRAULIC	1				0.35	0.77
030	7J266-66510	HOSE 7 HYDRAULIC	1				0.4	0.88
040	75590-64650	BAND CODE	1				0.01	0.022
050	7J261-66140	SLEEVE(23.0)	1				0.09	0.198
060	99999-99999	BLANK	0				0	0
070	75582-66810	ADAPTER 1	2				0.05	0.11
080	75540-64910	ELBOW 1	1				0.11	0.242
090	7J266-68110	BLOCK HYDRAULIC	1				0.93	2.046
100	04817-00160	O RING	3				0.001	0.0022

HYDRAULIC HOSE(HYD.OUTLET BLOCK)



7J266-022-10

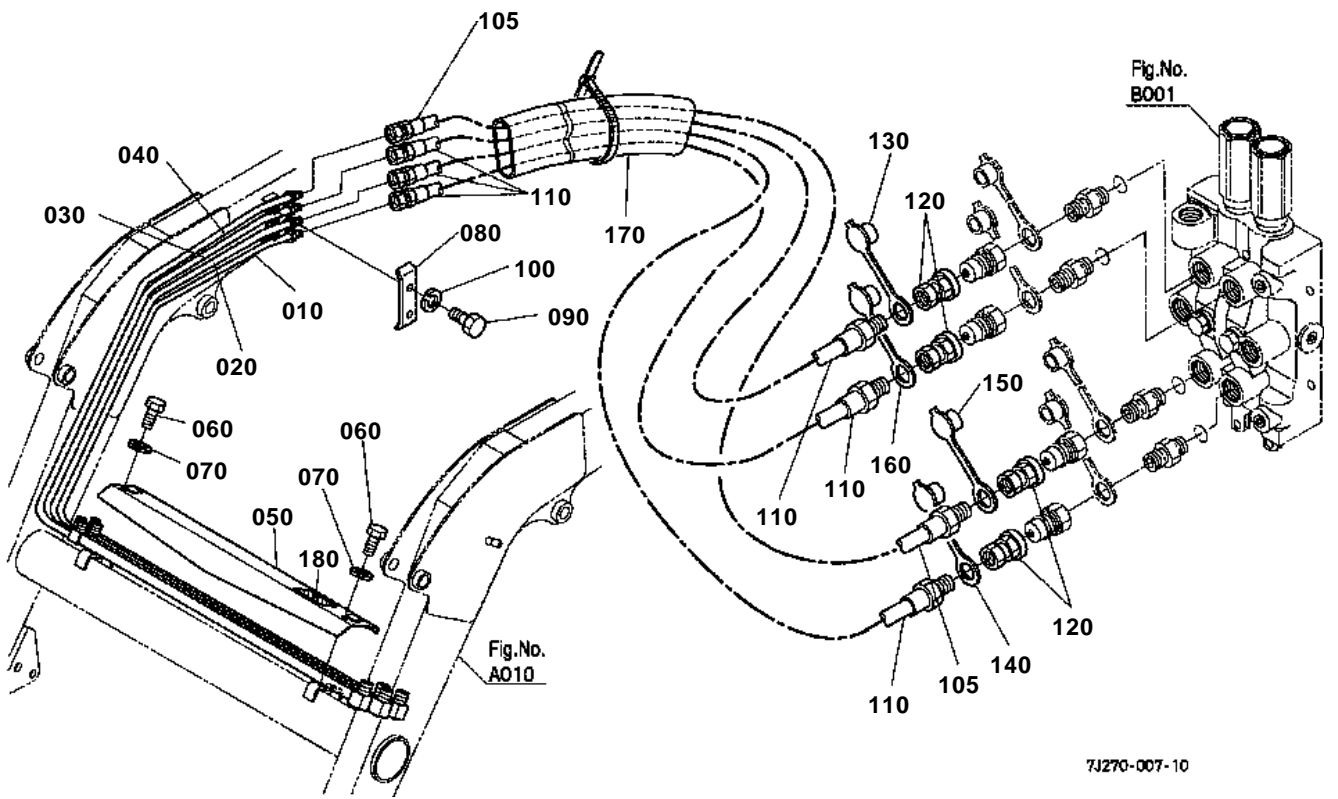
**HYDRAULIC HOSE(HYD.OUTLET BLOCK)**

S.No.;>=50001 [STANDARD VALVE TYPE]

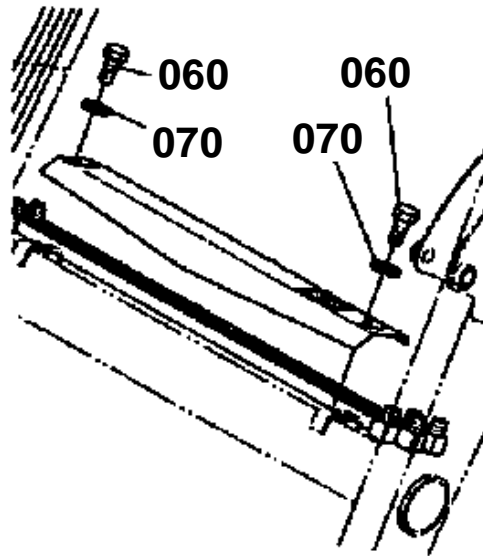
↔ Interchangeable; ≠ not interchangeable; ← new for old; → old for new

REF.No	Part No.	Description	Q'ty	S.No.	I/C	REMARKS	Weight (kgf)	Weight (lb)
010	7J266-66710	HOSE 5 HYDRAULIC	1				0.43	0.946
020	7J266-66810	HOSE 6 HYDRAULIC	1				0.38	0.836
030	7J266-66910	HOSE 7 HYDRAULIC	1				0.4	0.88
040	75590-64650	BAND CODE	1				0.01	0.022
050	7J261-66140	SLEEVE(23.0)	1				0.09	0.198
060	99999-99999	BLANK	0				0	0
070	75582-66810	ADAPTER 1	2				0.05	0.11
080	75540-64910	ELBOW 1	1				0.11	0.242
090	7J266-68110	BLOCK HYDRAULIC	1				0.93	2.046
100	04817-00160	O RING	3				0.001	0.0022

HYDRAULIC TUBE



OLD PART



7J266-801-10

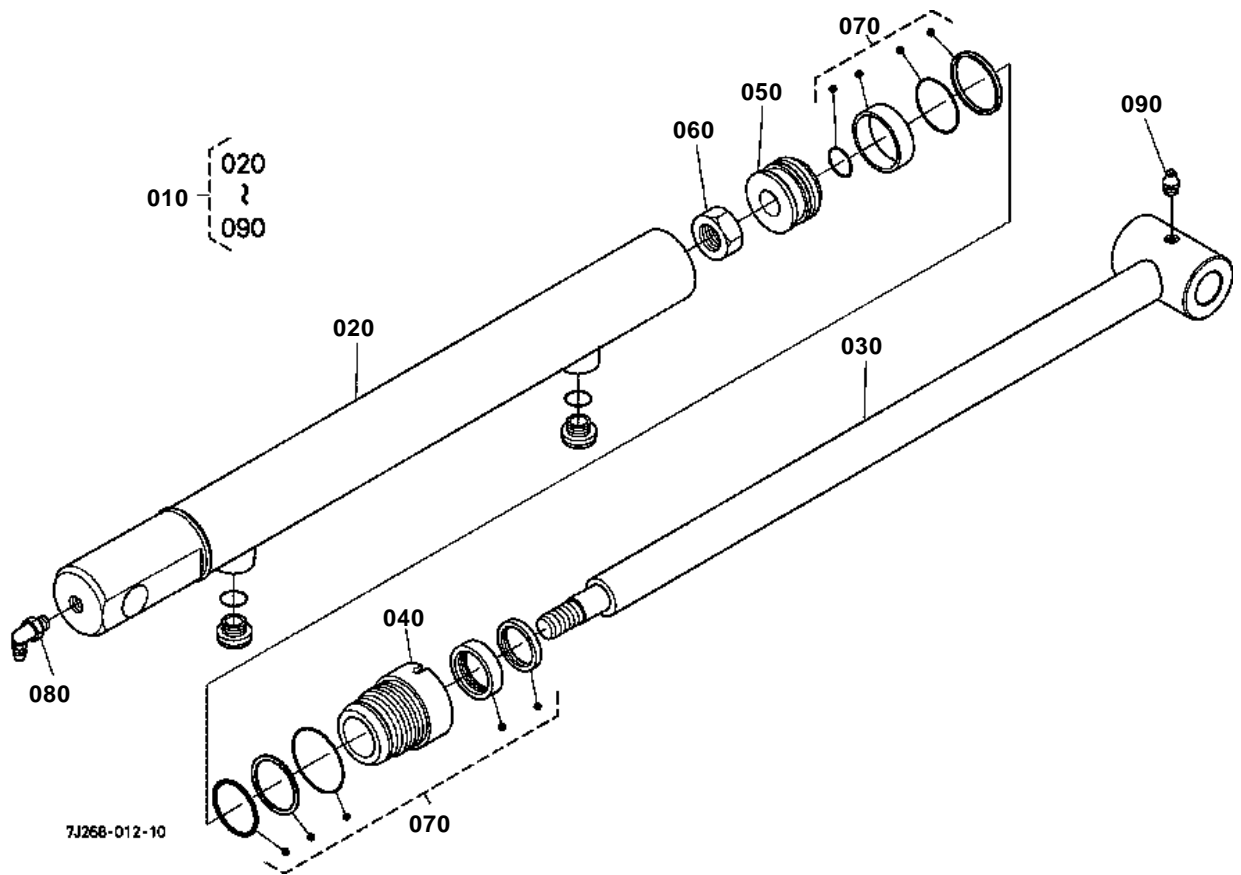


HYDRAULIC TUBE

↔ Interchangeable; ≠ not interchangeable; ← new for old; → old for new

REF.No	Part No.	Description	Q'ty	S.No.	I/C	REMARKS	Weight (kgf)	Weight (lb)
010	7J268-65110	TUBE 1 HYDRAULIC	1				1	2.2
020	7J268-65210	TUBE 2 HYDRAULIC	1				1	2.2
030	7J268-65310	TUBE 3 HYDRAULIC	1				1	2.2
040	7J268-65412	TUBE 4 HYDRAULIC	1				1	2.2
050	7J266-65510	COVER CLAMP	1				2.5	5.5
060	01053-50825	BOLT	4	<=10318		M8*1.00*25	0.014	0.0308
060	01125-50830	BOLT	4	>=10319	1	M8*1.25*30	0.017	0.0374
070	04512-60080	WASHER SPRING	4	<=10318		M8	0.002	0.0044
080	75540-65530	CLAMP 2	1				0.16	0.352
090	01053-50825	BOLT	2			M8*1.00*25	0.014	0.0308
100	04512-60080	WASHER SPRING	2			M8	0.002	0.0044
105	7J267-66120	HOSE 2 HYDRAULIC	1	>=11554			0.55	1.21
110	7J266-66110	HOSE 1 HYDRAULIC	4	<=11553			0.4	0.88
110	7J266-66110	HOSE 1 HYDRAULIC	3	>=11554	1		0.4	0.88
120	75540-66320	COUPLER	4				0.23	0.506
130	7J246-66310	1/4PLUG DUST	1			(BLUE)	0.002	0.0044
140	7J246-66320	1/4PLUG DUST	1			(YELLOW)	0.01	0.022
150	7J246-66330	1/4PLUG DUST	1			(RED)	0.002	0.0044
160	7J246-66340	1/4PLUG DUST	1			(WHITE)	0.002	0.0044
170	7J261-66140	SLEEVE(23.0)	1				0.09	0.198
180	7J266-72360	LABEL NO STEP	1				0.001	0.0022
190	75590-64650	BAND CODE	1				0.01	0.022

CYLINDER (BOOM) [COMPONENT PARTS]



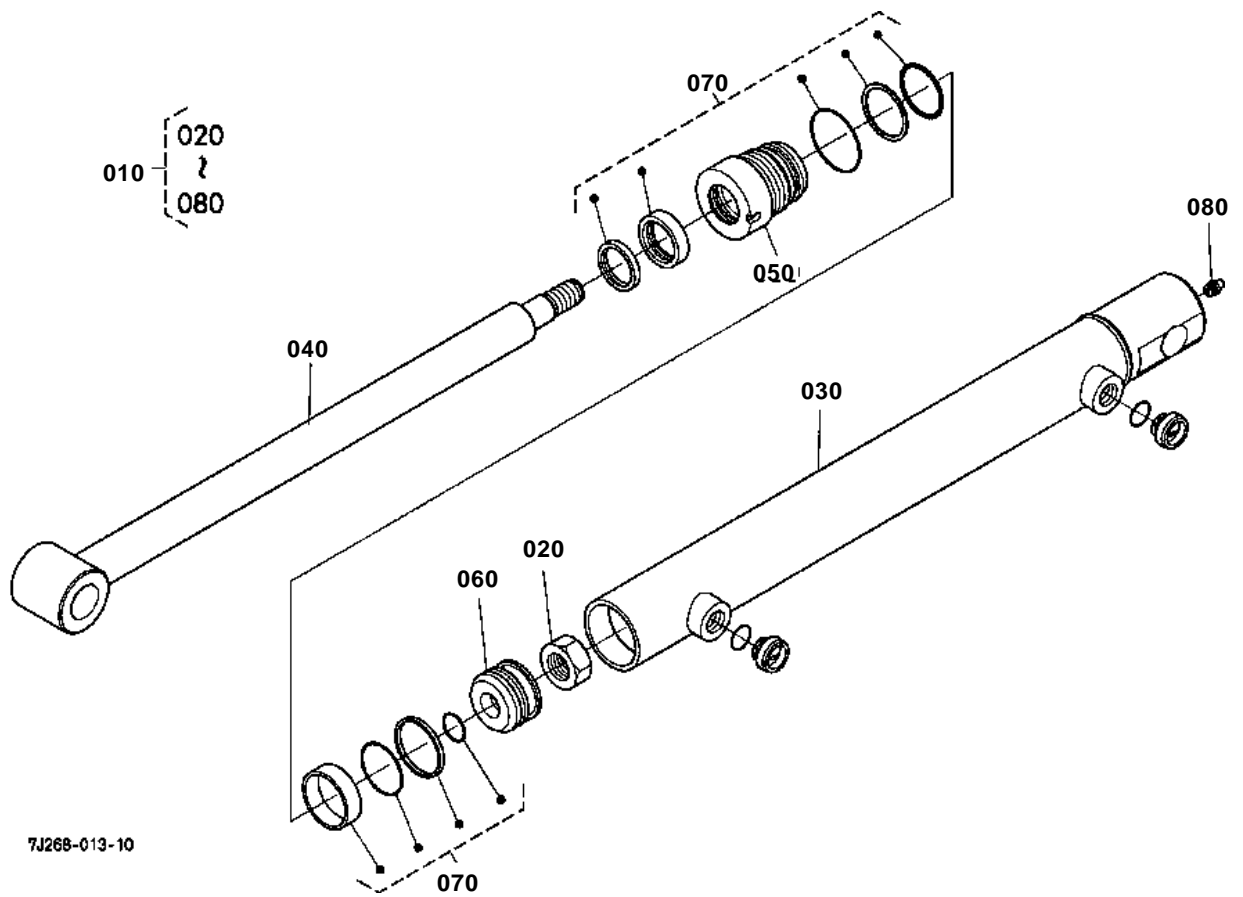


CYLINDER (BOOM) [COMPONENT PARTS]

↔ Interchangeable; ≠ not interchangeable; ← new for old; → old for new

REF.No	Part No.	Description	Q'ty	S.No.	I/C	REMARKS	Weight (kgf)	Weight (lb)
010	7J268-63010	CYLINDER 1	2				15.23	33.506
020	7J268-63100	TUBE 1 COMP(N2333/7)	2				5	11
030	7J268-63200	ROD 1 COMP(N2333/6)	2				5.6	12.32
040	7J268-63310	HEAD(2333/5)	2				0.81	1.782
050	7J268-63350	PISTON 1(2333/8)	2				0.5	1.1
060	7J268-63360	NUT(5/8-18UNFP)	2				0.04	0.088
070	7J268-63400	KIT 1 SEAL(2333/11)	2				0.03	0.066
080	75532-63470	FITTING GREASE	2			90DEG.	0.01	0.022
090	75599-81531	FITTING GREASE	2			1/8-27NPTF	0.007	0.0154

CYLINDER (BUCKET) [COMPONENT PARTS]



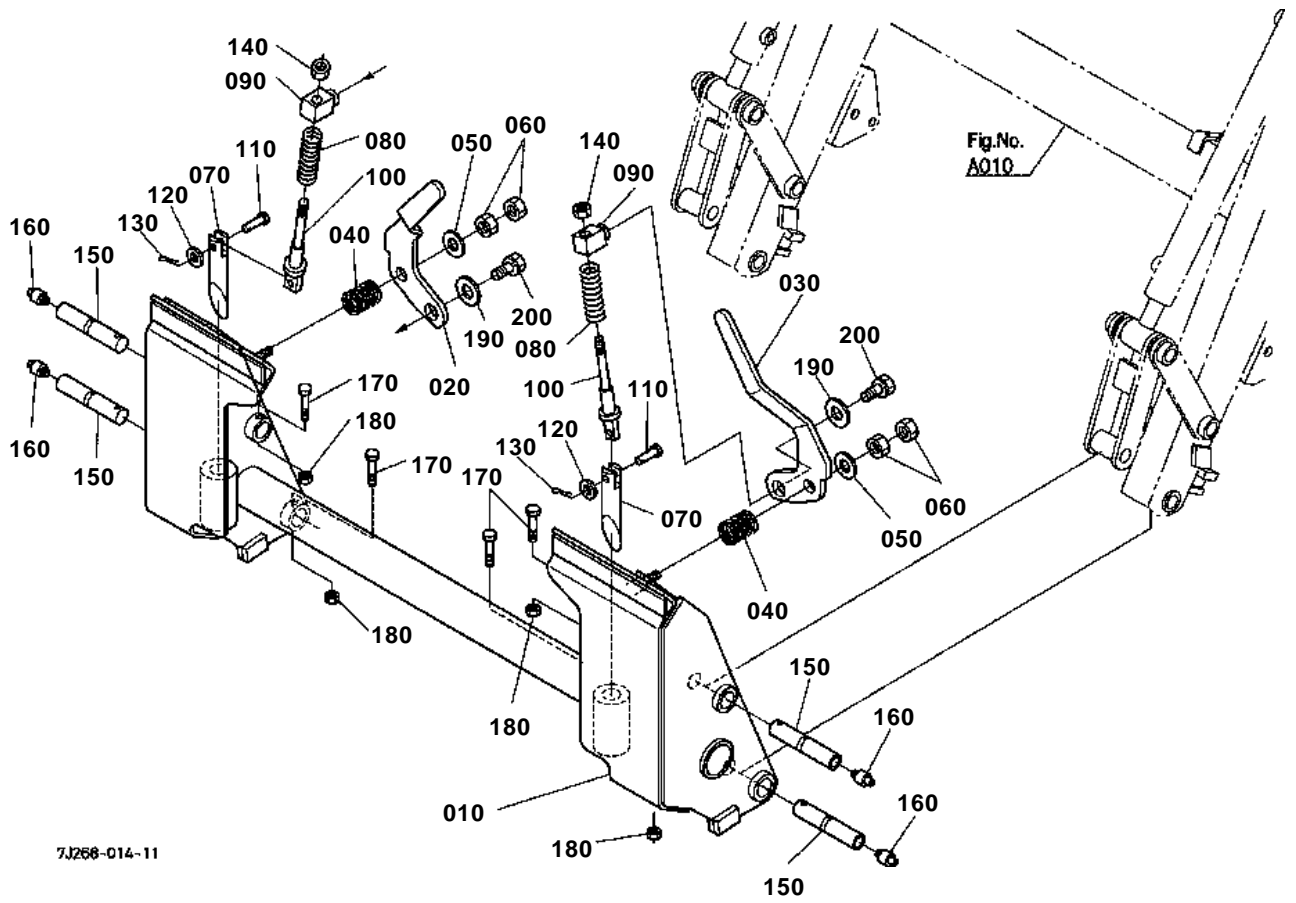
7J268-013-10



CYLINDER (BUCKET) [COMPONENT PARTS]

↔ Interchangeable; ≠ not interchangeable; ← new for old; → old for new

REF.No	Part No.	Description	Q'ty	S.No.	I/C	REMARKS	Weight (kgf)	Weight (lb)
010	7J268-64010	CYLINDER 2	2				13	28.6
020	7J268-63360	NUT(5/8-18UNFP)	2				0.04	0.088
030	7J268-64100	TUBE 2 COMP(N2332/7)	2				6.2	13.64
040	7J268-64200	ROD 2 COMP(N2332/6)	2				5.53	12.166
050	7J268-64310	HEAD(2332/5)	2				0.59	1.298
060	7J268-64350	PISTON 2(2332/8)	2				0.38	0.836
070	7J268-64400	KIT 2 SEAL(2332/11)	2				0.03	0.066
080	75599-81531	FITTING GREASE	2			1/8-27NPTF	0.007	0.0154



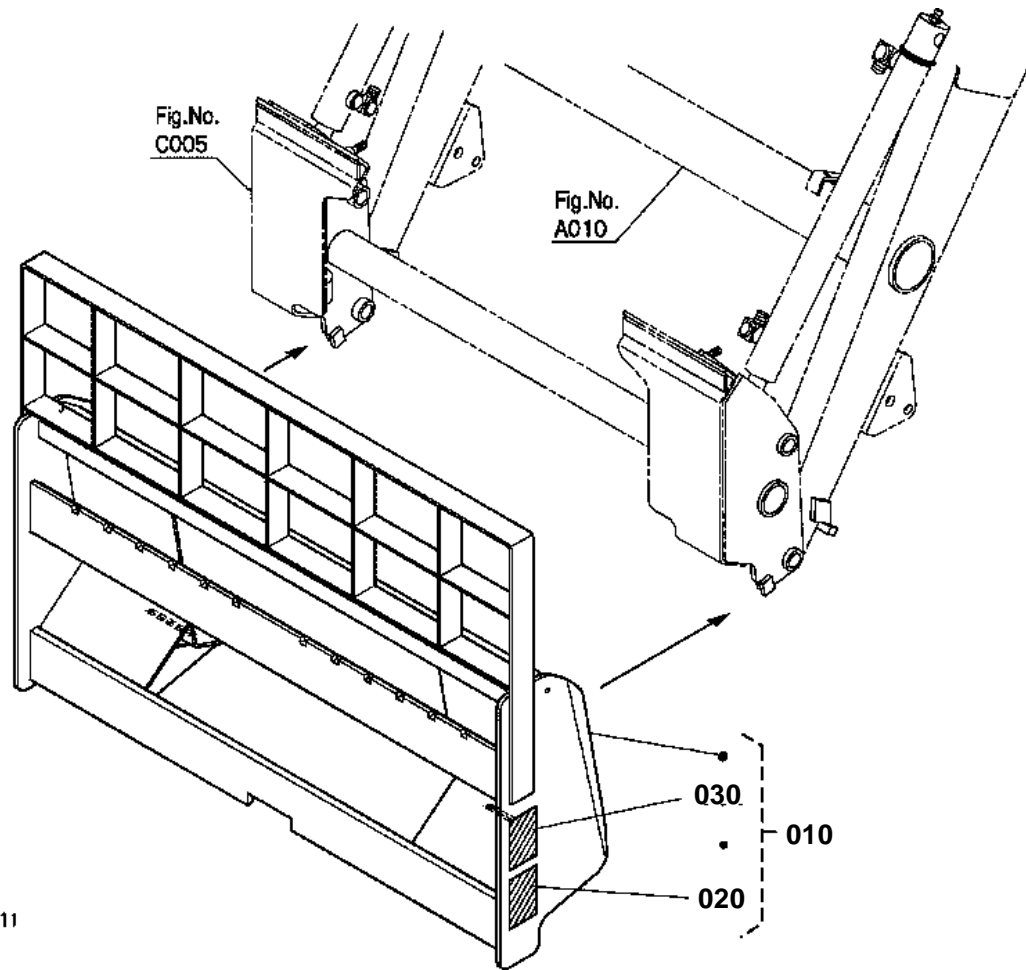


QUICK HITCH [OPTION]
[L2232]

↔ Interchangeable; ≠ not interchangeable; ← new for old; → old for new

REF.No	Part No.	Description	Q'ty	S.No.	I/C	REMARKS	Weight (kgf)	Weight (lb)
010	7J268-36102	HITCH QUICK LA853	1	<=10848			0	0
010	7J268-36103	HITCH QUICK LA853	1	>=10849	-		78	171.6
010	7J268-36104	HITCH QUICK LA853	1	>=50001	1		0	0
020	7J266-36310	HANDLE LATCH LH	1				1.3	2.86
030	7J266-36320	HANDLE LATCH RH	1				1.3	2.86
040	7J266-36350	SPRING HANDLE	2				0.12	0.264
050	04015-60120	WASHER PLAIN	2			M12	0.022	0.0484
060	02076-50120	NUT	4			M12	0.015	0.033
070	7J266-36330	PIN LATCH	2				0.001	0.0022
080	7J266-36340	SPRING LATCH PIN	2				0.095	0.209
090	7J266-36360	STOPPER LATCH SPRING	2				0.24	0.528
100	7J266-36370	LINK LATCH PIN	2	<=11553			0	0
100	7J266-36372	LINK LATCH PIN	2	>=11554	-		0.304	0.6688
110	05122-51040	PIN JOINT	2				0.025	0.055
120	04013-60100	WASHER PLAIN	2			M10	0.003	0.0066
130	05511-50320	PIN SPLIT	2				0.002	0.0044
140	02572-50120	NUT LOCK	2				0.014	0.0308
150	7J268-58710	PIN 3	4				0.68	1.496
160	75599-81521	FITTING GREASE	4			1/4-28T.T.	0.003	0.0066
170	7J268-58990	BOLT	4			M8*1.25*60	0.026	0.0572
180	02552-50080	NUT LOCK	4			M8	0.005	0.011
190	04015-60120	WASHER PLAIN	2			M12	0.022	0.0484
200	01133-51225	BOLT	2			M12*1.25*25	0.035	0.077

PALLET FORK [OPTION]



7J266-018-11

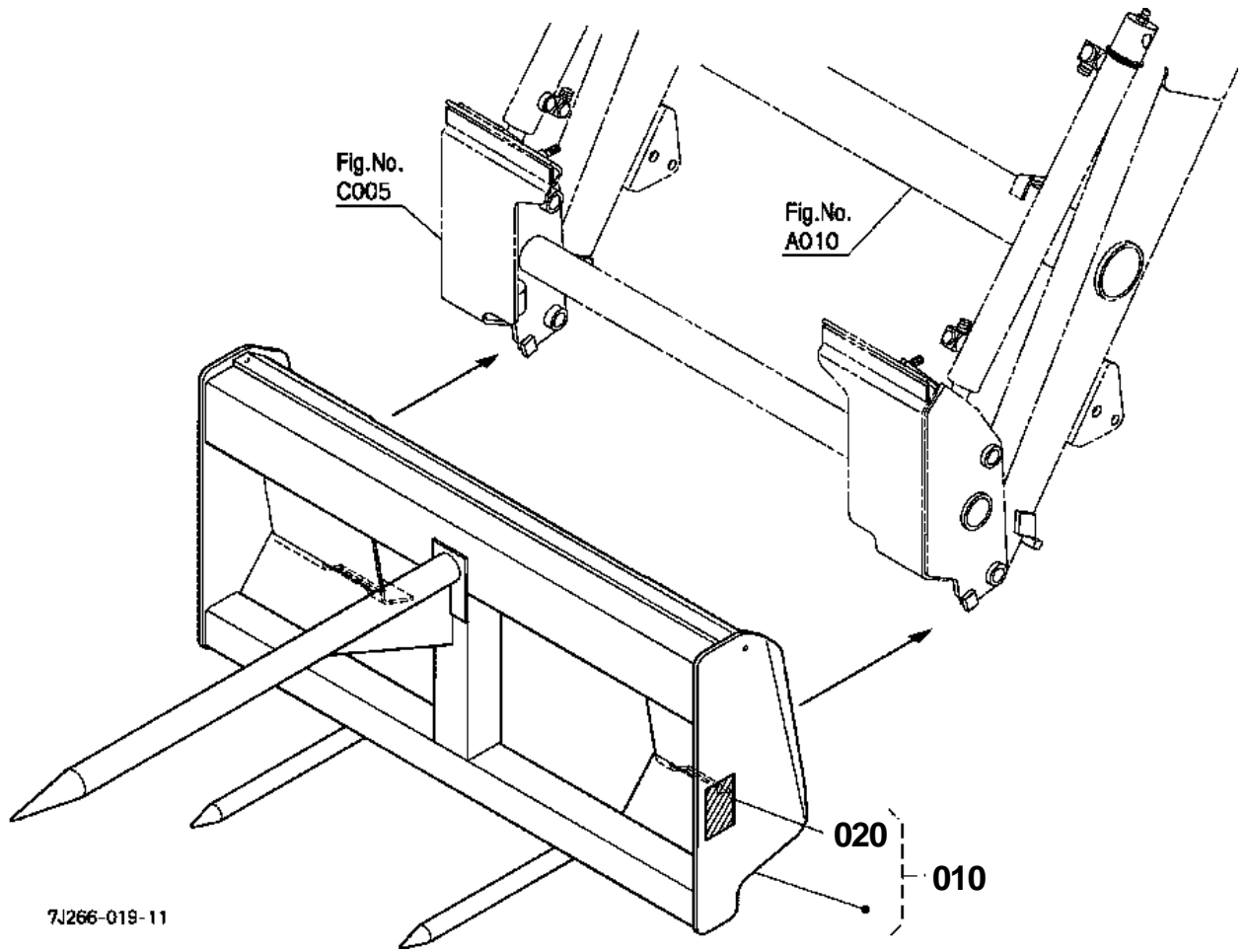


PALLET FORK [OPTION]
[L2238]

↔ Interchangeable; ≠ not interchangeable; ← new for old; → old for new

REF.No	Part No.	Description	Q'ty	S.No.	I/C	REMARKS	Weight (kgf)	Weight (lb)
010	7J266-39000	FRAME PALLET FORK	1				0	0
020	7J266-39230	LABEL DANGER(P.F.)	3				0.007	0.0154
030	7J246-56430	LABEL DANGER 3	2				0.002	0.0044

BALE SPEAR [OPTION]

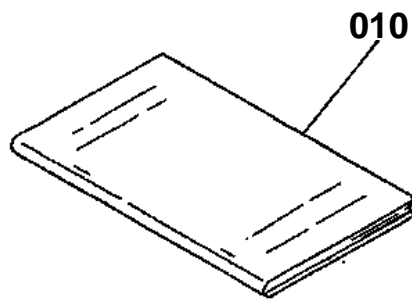




BALE SPEAR [OPTION]
[L2237]

↔ Interchangeable; ≠ not interchangeable; ← new for old; → old for new

REF.No	Part No.	Description	Q'ty	S.No.	I/C	REMARKS	Weight (kgf)	Weight (lb)
010	7J266-37000	SPEAR BALE	1				0	0
020	7J246-56430	LABEL DANGER 3	2				0.002	0.0044



1G606-002-10



ACCESSORIES AND SERVICE PARTS

↔ Interchangeable; ≠ not interchangeable; ← new for old; → old for new

REF.No	Part No.	Description	Q'ty	S.No.	I/C	REMARKS	Weight (kgf)	Weight (lb)
010	7J266-69110	OPERATOR'S MANUAL	1	<=11854			0.13	0.286
010	7J266-69113	OPERATOR'S MANUAL	1	>=11855	←		0	0
010	7J266-69114	OPERATOR'S MANUAL	1	>=50001	¹		0	0
020	7J266-95502	KIT FRENCH	1	<=11553		NOT SHOWN IN FIG.	0	0
020	7J266-95504	KIT FRENCH	1	>=11554	←	NOT SHOWN IN FIG.	0	0
020	7J266-95505	KIT FRENCH	1	>=50001	¹	NOT SHOWN IN FIG.	0	0