

# Instructions for Parts Books

The heading at the top of the page will be the same for the picture of the parts as it is for the page with the part numbers.

Definition of column headings on part number pages:

**REF.No** → The number referring to the part on the picture page of the parts book.

**Part No.** → The number assigned to this part at the time of printing the parts book.

**Description** → Description of part.

**Q'ty** → Quantity of part used on that page.

**S.No.** → Serial number range of the equipment that this part will fit.

>= Your serial number should be greater than or equal to the number shown.

<= Your serial number should be lesser than or equal to the serial number shown.

**I/C** → Interchangeability of part shown.

↔ The part shown will work for the older and later serial number.

# The part shown is not interchangeable with the other serial number.

← new for old

→ old for new

**Remarks** → Notes about this particular part. Sometimes this may say except [FR] or [CA]

## Note about Country Codes:

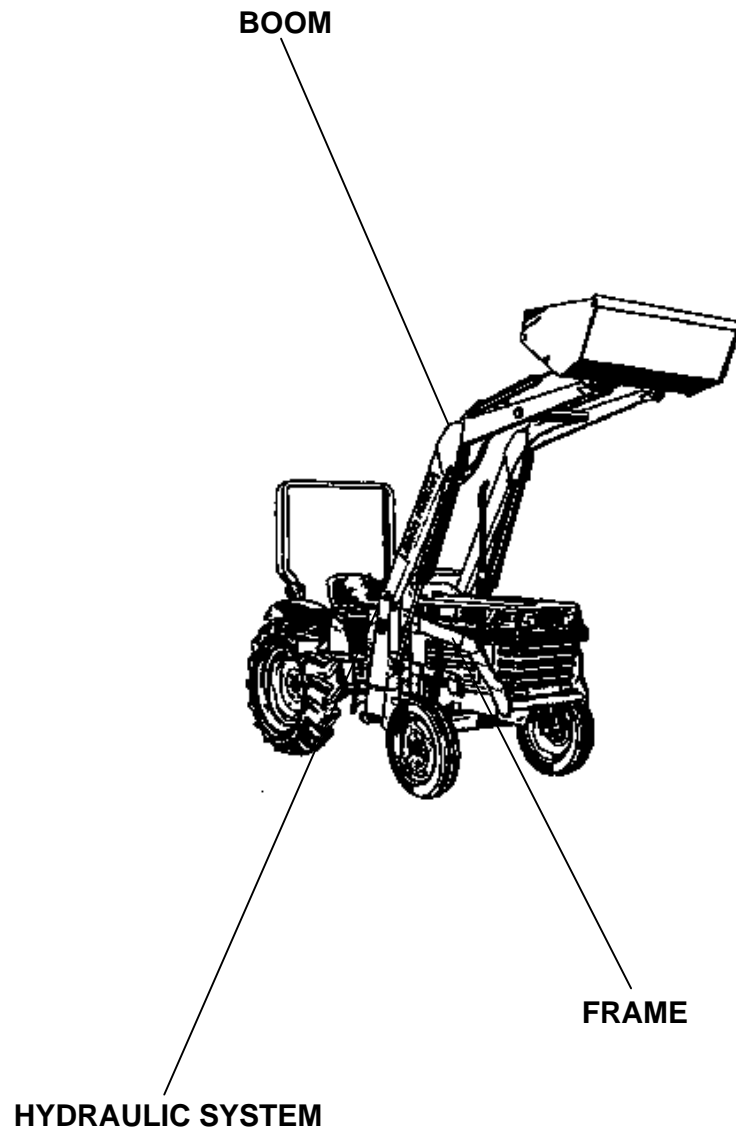
The parts books we use in the United States of America may also contain information about a part that would be different in another country. It is important that you are aware of the country codes in some instances.

Symbol	Country
A	United States of America
CA	Canada
FR	France
GR	Greece
PO	Portugal
AU	Australia

If the remarks column says for example EXCEPT [FR] this part works in all countries except France. That means it will work here in the USA.

ALL PRODUCT INDEX  
LB400

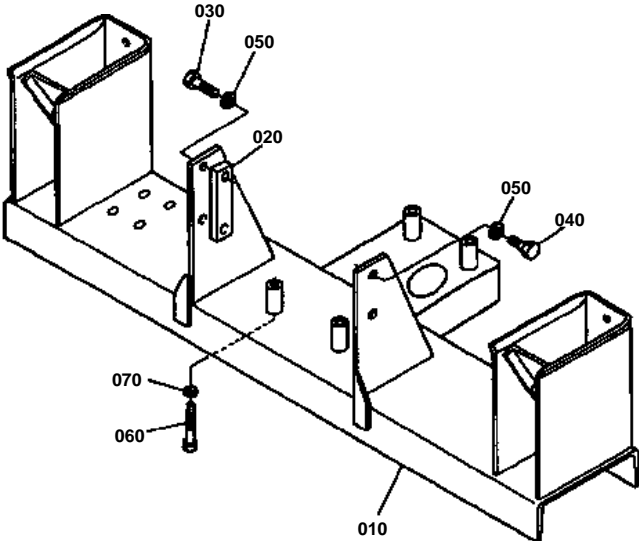
---



ACCESSORIES

Item	Part No.	Description	Book
FRAME	01100101	MAIN FRAME [LB400]	100K0451
	011002	SIDE FRAME	100K0451
BOOM	011003	BOOM	100K0451
HYDRAULIC SYSTEM	01100401	CONTROL VALVE [LB400]	100K0451
	01100402	CONTROL VALVE [LB400]	100K0451
	01100501	CONTROL VALVE [COMPONENT PARTS]	100K0451
	01100502	CONTROL VALVE [COMPONENT PARTS]	100K0451
	011006	CYLINDER AND HYDRAULIC HOSE	100K0451
	01100702	CYLINDER (BOOM) [COMPONENT PARTS]	100K0451
	01100703	CYLINDER (BOOM) [COMPONENT PARTS]	100K0451
	01100802	CYLINDER (BUCKET) [COMPONENT PARTS]	100K0451
	01100803	CYLINDER (BUCKET) [COMPONENT PARTS]	100K0451
	011009	HYDRAULIC TUBE	100K0451
	01101001	HYDRAULIC TUBE [LB400]	100K0451
FRAME	011011	FRONT GUARD [OPTION]	100K0451
ACCESSORIES	011012	ACCESSORIES AND SERVICE PARTS	100K0451

MAIN FRAME [LB400]

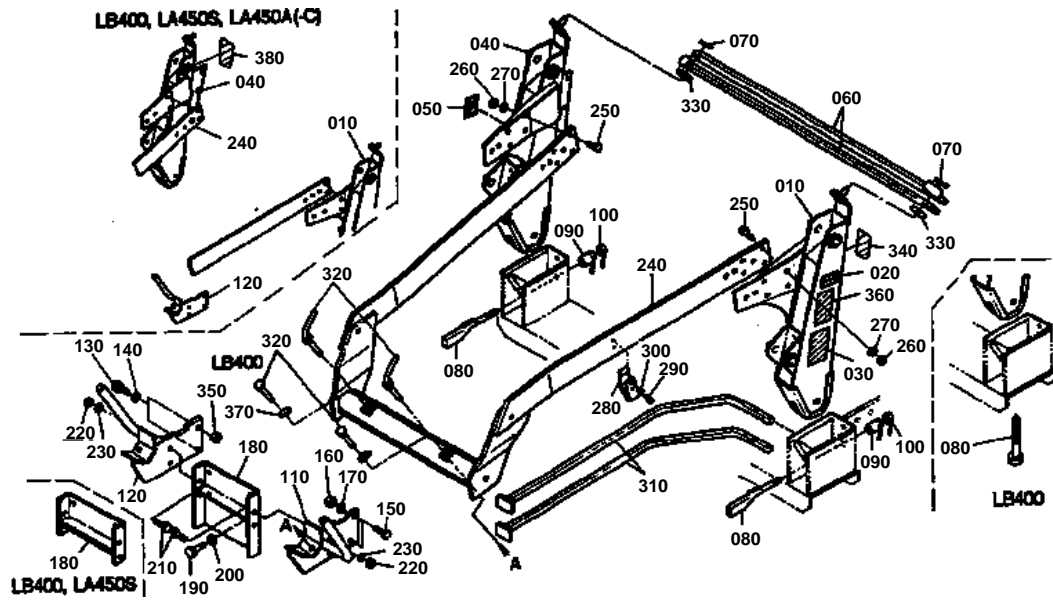


**MAIN FRAME [LB400]**

↔ Interchangeable; ≠ not interchangeable; ← new for old; → old for new

REF.No	Part No.	Description	Q'ty	S.No.	I/C	REMARKS	Weight (kgf)	Weight (lb)
010	75546-55010	SUB FRAME	1				0	0
020	75541-55510	SPACER	1				0	0
030	01073-51445	HEX.BOLT(M14*1.5*45)	2				0.08	0.176
040	01073-51430	HEX.BOLT(M14*1.5*30)	2				0.058	0.1276
050	75599-33016	WASHER SPRING LOCK(9	4				0.08	0.176
060	01073-51270	HEX.BOLT(M12*1.25*70	4				0.06	0.132
070	04512-50120	WASHER SPRING LOCK(M	4				0	0

# SIDE FRAME

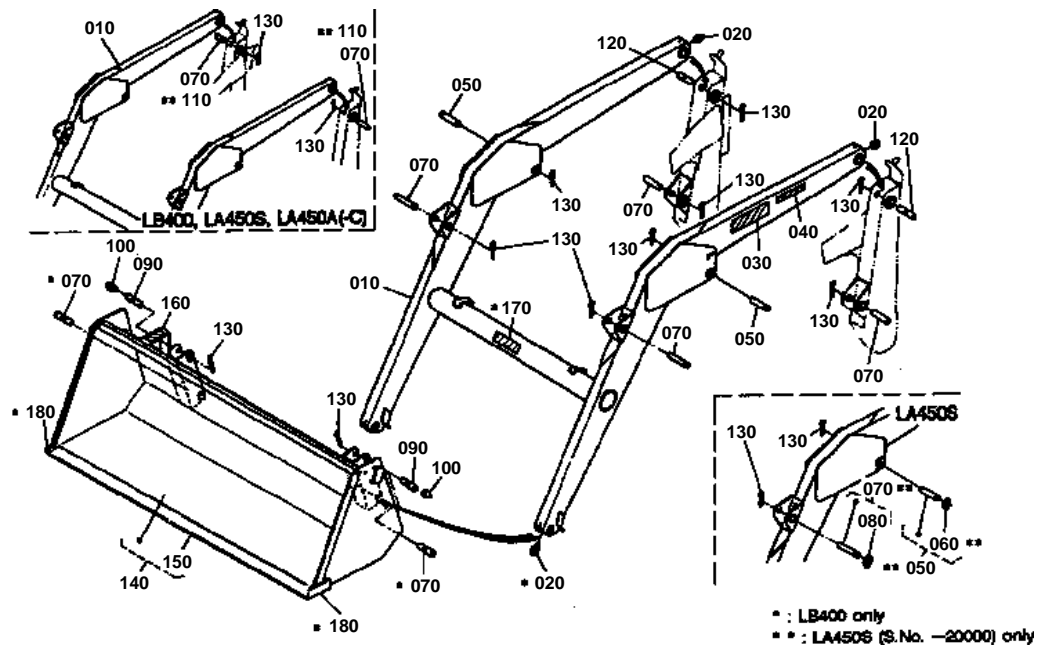


**SIDE FRAME**

↔ Interchangeable; ≠ not interchangeable; ← new for old; → old for new

REF.No	Part No.	Description	Q'ty	S.No.	I/C	REMARKS	Weight (kgf)	Weight (lb)
010	75546-56010	FRAME SIDE LH	1				0	0
020	75546-56350	LABEL MODEL	1				0	0
030	75540-56360	LABEL CAUTION	1				0	0
040	75546-56030	FRAME SIDE RH	1				0	0
050	75540-56650	LABEL WARNING	1				0	0
060	75540-56710	CONNECTOR SIDE FRAME	2				0	0
070	75540-56720	PIN SPRING	2				0	0
080	75599-01701	HEX.BOLT(5/8-11UNC*5	2				0	0
110	75546-57100	SUPPORT BRACE LH	1				0	0
120	75546-57200	SUPPORT BRACE RH	1				0	0
150	75599-04630	HEX.BOLT(9/16-18UNF*	4				0	0
160	75599-31066	HEX.NUT(9/16-18UNF)	4				0	0
170	75599-33016	WASHER SPRING LOCK(9	4				0.08	0.176
180	75546-57310	CONNECTOR FRONT	1				0	0
190	01073-51435	HEX.BOLT(M14*1.5*35)	4				0.063	0.1386
200	75599-33016	WASHER SPRING LOCK(9	4				0.08	0.176
210	75599-04630	HEX.BOLT(9/16-18UNF*	4				0	0
220	75599-31066	HEX.NUT(9/16-18UNF)	4				0	0
230	75599-33016	WASHER SPRING LOCK(9	4				0.08	0.176
240	75546-57400	BRACE	1				0	0
250	75599-04630	HEX.BOLT(9/16-18UNF*	8				0	0
260	75599-31066	HEX.NUT(9/16-18UNF)	8				0	0
270	75599-33016	WASHER SPRING LOCK(9	8				0.08	0.176
280	75540-57530	PLATE SPRING	1				0	0
290	75599-01210	HEX.BOLT(5/16-18UNC*	2				0	0
300	75599-33012	WASHER SPRING LOCK(5	2				0	0
310	75540-57550	STAND	2				0	0
320	75599-01690	HEX.BOLT(9/16-12UNC*	2				0	0
340	75580-56370	LABEL LUBRICATE	1				0	0
360	75546-56380	LABEL DANGER	1				0	0
370	75599-32016	WASHER PLAIN(9/16)	2				0.009	0.0198
380	75540-62360	LABEL CONTROL	1				0	0

# BOOM



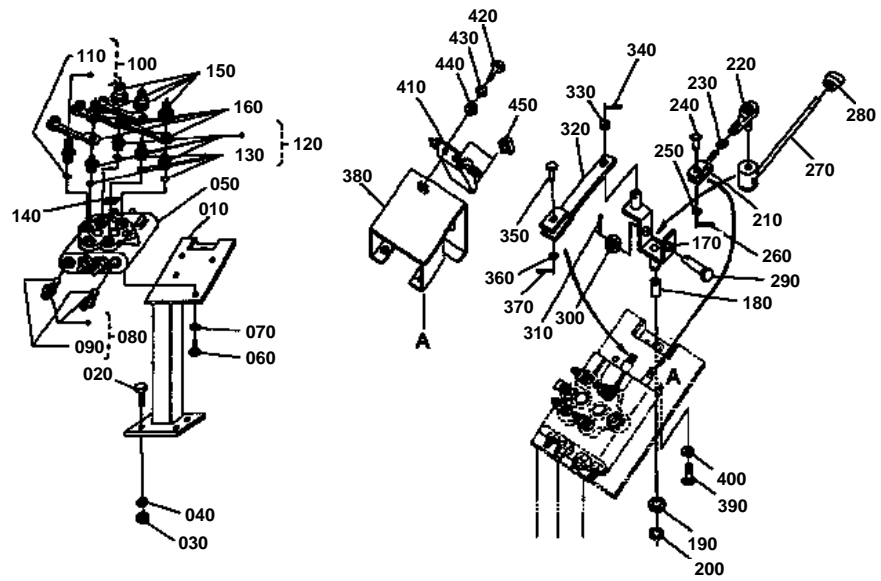


**BOOM**

↔ Interchangeable; ≠ not interchangeable; ← new for old; → old for new

REF.No	Part No.	Description	Q'ty	S.No.	I/C	REMARKS	Weight (kgf)	Weight (lb)
010	75546-58010	BOOM	1				0	0
020	75599-81520	FITTING GREASE(1/4-2	4				0	0
030	75580-58450	LABEL KUBOTA	2				0	0
040	75546-58460	LABEL LB400	2				0	0
050	75545-58510	PIN 1	2				0	0
070	75545-58610	PIN 2	8				0	0
090	75545-58710	PIN 3	2				0	0
100	75599-81521	FITTING GREASE(1/4-2	2				0	0
130	75599-53237	PIN COTTER(1/4*2)	12				0	0
140	75546-59010	BUCKET 60	1				0	0
150	75546-59320	EDGE 1 CUTTING	1				0	0
160	75540-59450	LABEL LEVELER	1				0	0
170	75546-58470	LABEL DUTY	1				0	0
180	75546-59330	EDGE 2 CUTTING	2				0	0

CONTROL VALVE [LB400]



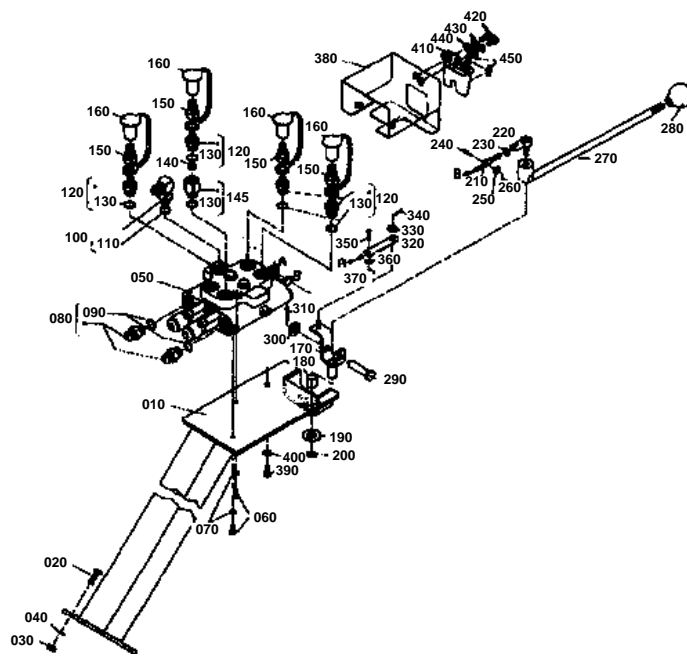
**CONTROL VALVE [LB400]**

S.No.;&lt;=16578

↔ Interchangeable; ≠ not interchangeable; ← new for old; → old for new

REF.No	Part No.	Description	Q'ty	S.No.	I/C	REMARKS	Weight (kgf)	Weight (lb)
010	75546-61100	COMP STAY VALVE	1				0	0
020	75599-02320	HEX.BOLT(3/8-24UNF*1	4				0	0
030	75599-31023	HEX.NUT(3/8-24UNF)	4				0.006	0.0132
040	75599-33013	WASHER SPRING LOCK(3	4				0	0
050	75532-61010	VALVE CONTROL	1				0	0
060	75599-01115	HEX.BOLT(1/4-20UNC*3	2				0	0
070	75599-33011	WASHER SPRING LOCK(1	2				0	0
080	75580-61800	ASSY ADAPTER 1	2				0	0
090	75540-61820	O-RING	2				0	0
100	75560-61950	ASSY ELBOW 2 ADJUSTA	1				0	0
110	75540-61820	O-RING	1				0	0
120	75532-61800	ASSY ADAPTER 2	4				0	0
130	75540-61820	O-RING	4				0	0
140	75546-61860	THROTTLE	1				0	0
150	75532-66220	NIPPLE	4				0	0
160	75532-66430	CAP DUST	4				0	0
170	75532-62110	LEVER	1				0	0
180	75540-62140	BUSHING	1				0	0
190	75599-32017	WASHER PLAIN(5/8)	1				0	0
200	75599-41522	CIR-CLIP EXTERNAL(5/	1				0	0
210	75532-62160	ROD 1	1				0	0
220	75532-62260	JOINT ROD END	1				0	0
230	75599-31022	HEX.NUT(5/16-24UNF)	1				0	0
240	75599-51115	PIN CLEVIS(1/4*3/4)	1				0	0
250	75599-32011	WASHER PLAIN(1/4)	1				0.001	0.0022
260	75599-53131	PIN COTTER(1/16*1/2)	1				0	0
270	75532-62210	LEVER CONTROL	1				0	0
280	31355-82520	GRIP LEVER	1				0.05	0.11
290	75599-51540	PIN CLEVIS(1/2*2)	1				0	0
300	75599-32015	WASHER PLAIN(1/2)	1				0	0
310	75599-53173	PIN COTTER(1/8*1)	1				0.002	0.0044
320	75532-62280	ROD 2	1				0	0
330	75599-32012	WASHER PLAIN(5/16)	1				0.002	0.0044
340	75599-53152	PIN COTTER(3/32*3/4)	1				0	0
350	75599-51115	PIN CLEVIS(1/4*3/4)	1				0	0
360	75599-32011	WASHER PLAIN(1/4)	1				0.001	0.0022
370	75599-53131	PIN COTTER(1/16*1/2)	1				0	0
380	75532-62310	COVER	1				0	0
390	75599-01215	HEX.BOLT(5/16-18UNC*	3				0	0
400	75599-33012	WASHER SPRING LOCK(5	3				0	0
410	75540-62400	ASSY LIMITER	1				0	0
420	75599-01212	HEX.BOLT(5/16-18UNC*	2				0	0
430	75599-33012	WASHER SPRING LOCK(5	2				0	0
440	75599-32012	WASHER PLAIN(5/16)	2				0.002	0.0044
450	75540-62450	CUSHION 1 RUBBER	2				0	0

# CONTROL VALVE [LB400]



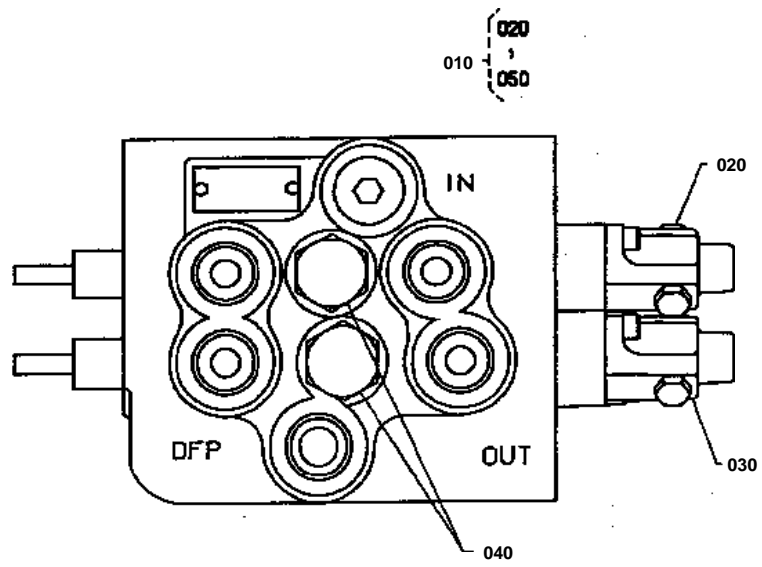
**CONTROL VALVE [LB400]**

S.No.;&gt;=16579

↔ Interchangeable; ≠ not interchangeable; ← new for old; → old for new

REF.No	Part No.	Description	Q'ty	S.No.	I/C	REMARKS	Weight (kgf)	Weight (lb)
010	75546-61200	COMP STAY VALVE	1				0	0
020	75599-02320	HEX.BOLT(3/8-24UNF*1	4				0	0
030	75599-31023	HEX.NUT(3/8-24UNF)	4				0.006	0.0132
040	75599-33013	WASHER SPRING LOCK(3	4				0	0
050	75532-62010	VALVE CONTROL (9210-	1				0	0
060	75599-01115	HEX.BOLT(1/4-20UNC*3	2				0	0
070	75599-33011	WASHER SPRING LOCK(1	2				0	0
080	75580-61800	ASSY ADAPTER 1	2				0	0
090	75540-61820	O-RING	2				0	0
100	75560-61950	ASSY ELBOW 2 ADJUSTA	1				0	0
110	75540-61820	O-RING	1				0	0
120	75532-61800	ASSY ADAPTER 2	4				0	0
130	75540-61820	O-RING	5				0	0
140	75546-61860	THROTTLE	1				0	0
145	75595-63400	ASSY PLUG ORFICE	1				0	0
150	78836-66220	1/4 NIPPLE (H2-63)	4				0	0
160	75536-66430	CAP DUST (H2-66M)	4				0	0
170	75532-62110	LEVER	1				0	0
180	75540-62140	BUSHING	1				0	0
190	75599-32017	WASHER PLAIN(5/8)	1				0	0
200	75599-41522	CIR-CLIP EXTERNAL(5/	1				0	0
210	75536-62160	ROD 1	1				0	0
220	75532-62260	JOINT ROD END	1				0	0
230	75599-31042	HEX.NUT(5/16-24UNF)	1				0	0
240	75540-62190	PIN	1				0	0
250	75599-32009	WASHER PLAIN(3/16)	1				0	0
260	75599-53111	PIN COTTER(1/32*1/2)	1				0	0
270	75532-62210	LEVER CONTROL	1				0	0
280	31355-82520	GRIP LEVER	1				0.05	0.11
290	75599-51540	PIN CLEVIS(1/2*2)	1				0	0
300	75599-32015	WASHER PLAIN(1/2)	1				0	0
310	75599-53173	PIN COTTER(1/8*1)	1				0.002	0.0044
320	75536-62280	ROD 2	1				0	0
330	75599-32012	WASHER PLAIN(5/16)	1				0.002	0.0044
340	75599-53152	PIN COTTER(3/32*3/4)	1				0	0
350	75540-62190	PIN	1				0	0
360	75599-32009	WASHER PLAIN(3/16)	1				0	0
370	75599-53111	PIN COTTER(1/32*1/2)	1				0	0
380	75536-62310	COVER	1				0	0
390	75599-01215	HEX.BOLT(5/16-18UNC*	3				0	0
400	75599-33012	WASHER SPRING LOCK(5	3				0	0
410	75540-62400	ASSY LIMITER	1				0	0
420	75599-01212	HEX.BOLT(5/16-18UNC*	2				0	0
430	75599-33012	WASHER SPRING LOCK(5	2				0	0
440	75599-32012	WASHER PLAIN(5/16)	2				0.002	0.0044
450	75540-62450	CUSHION 1 RUBBER	2				0	0
460	75544-81000	MONO BLOCK VALVE KIT	1			NOT SHOWN IN FIG.	0	0

CONTROL VALVE [COMPONENT PARTS]



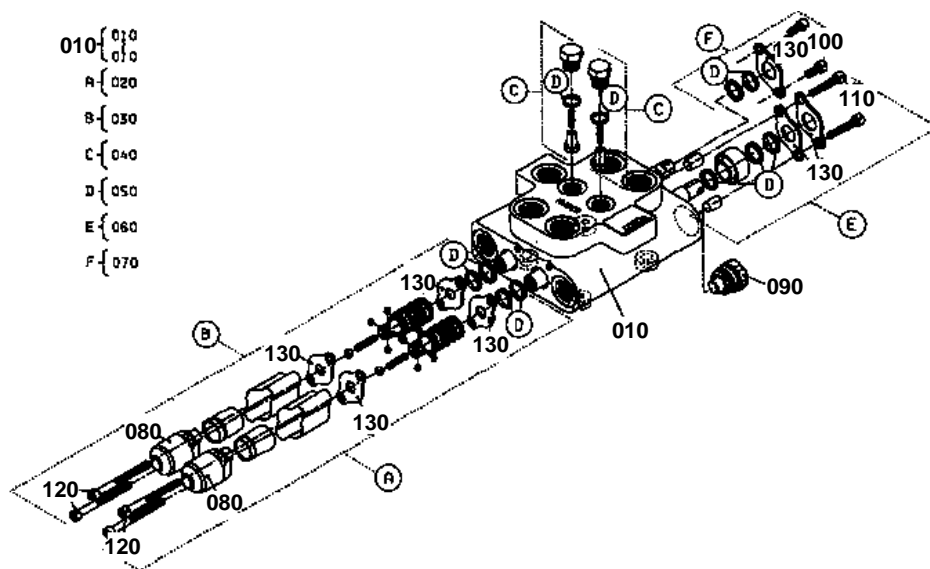
**CONTROL VALVE [COMPONENT PARTS]**

S.No.;&lt;=16578

↔ Interchangeable; ≠ not interchangeable; ← new for old; → old for new

REF.No	Part No.	Description	Q'ty	S.No.	I/C	REMARKS	Weight (kgf)	Weight (lb)
010	75532-61010	VALVE CONTROL	1				0	0
020	75532-61300	KIT DETENT FLOAT	1				0	0
030	75532-61400	KIT DETENT REGEN.	1				0	0
040	75530-61800	KIT LOAD CHECK	2				0	0
050	75532-61900	KIT SEAL	1			NOT SHOWN IN FIG.	0	0

# CONTROL VALVE [COMPONENT PARTS]





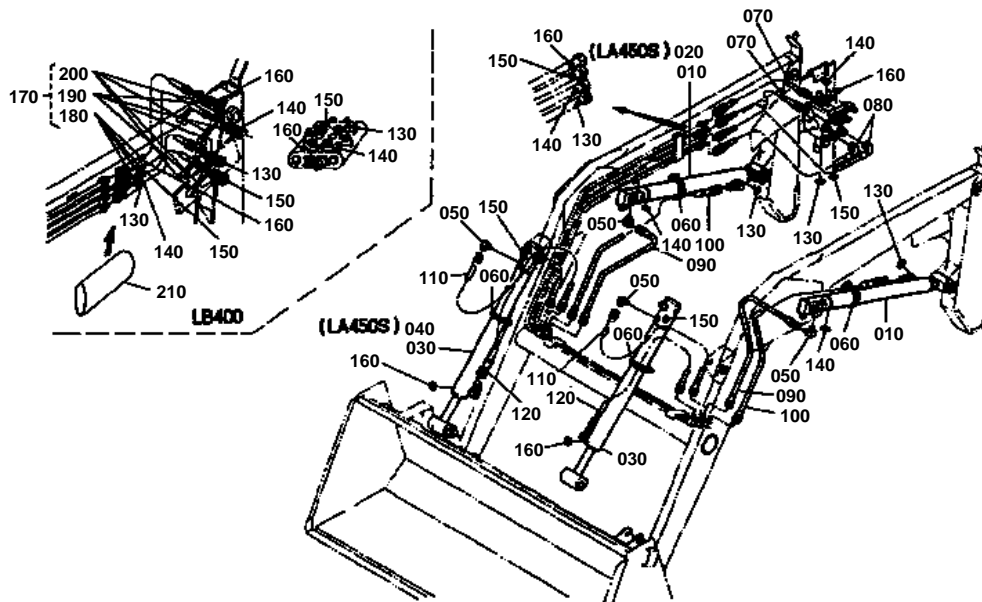
**CONTROL VALVE [COMPONENT PARTS]**

S.No.;&gt;=16579

↔ Interchangeable; ≠ not interchangeable; ← new for old; → old for new

REF.No	Part No.	Description	Q'ty	S.No.	I/C	REMARKS	Weight (kgf)	Weight (lb)
010	75532-62010	VALVE CONTROL	1				0	0
020	75536-65400	KIT DETENT FLOAT	1				0	0
030	75536-65100	KIT DETENT REGEN.	1				0	0
040	75536-65200	KIT LOAD CHECK	2				0	0
050	75536-65300	KIT SEAL	1				0	0
060	75536-65500	KIT UPPER BOOM SPOOL	1				0	0
070	75536-65600	KIT UPPER BUCKET SPO	1				0	0
080	75540-61450	CAP SPOOL	2				0	0
090	75546-65100	SHUT-OFF PLUG ASSY	1				0	0
100	75536-65700	CAP SCREW-SOC HEAD	2				0	0
110	75540-61410	CAP SCREW-SOC HEAD	2				0	0
120	75536-65900	CAP SCREW-SOC HEAD	4				0	0
130	75540-61330	PLATE SEAL	7				0	0

# CYLINDER AND HYDRAULIC HOSE



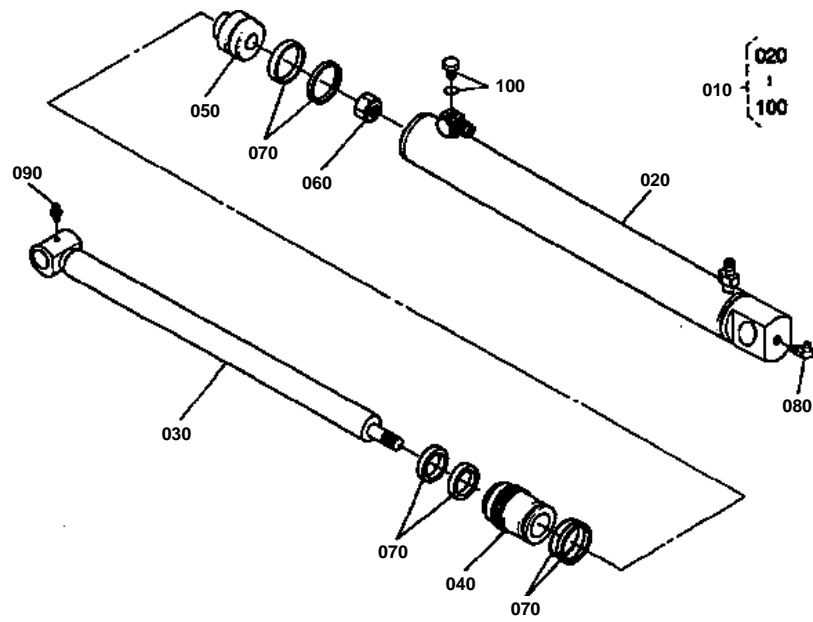


# CYLINDER AND HYDRAULIC HOSE

↔ Interchangeable; ≠ not interchangeable; ← new for old; → old for new

REF.No	Part No.	Description	Q'ty	S.No.	I/C	REMARKS	Weight (kgf)	Weight (lb)
010	75545-63010	CYLINDER 1	2	≤16444		REFER TO L.No.0B15-R0 FOR COMPONENTS	0	0
010	75545-63110	CYLINDER 1	2	≥16445	↔		0	0
030	75545-64010	CYLINDER 2	2	≤16444		REFER TO L.No.0B17-L0 FOR COMPONENTS	0	0
030	75545-64110	CYLINDER 2	2	≥16445	↔		0	0
060	75590-64650	BAND CODE	4				0	0
090	75545-66610	HOSE 8 HYDRAULIC	2			L:26.3 3/4-16 X 3/4-16 90 BENT TUBE	0	0
100	75542-66620	HOSE 9 HYDRAULIC	2			L:46.8 3/4-16 BOTH ENDS	0	0
110	75545-66630	HOSE 10 HYDRAULIC	2			L:12.0 3/4-16 BOTH ENDS	0	0
120	75542-66640	HOSE 11 HYDRAULIC	2			L:25.3 3/4-16 BOTH ENDS	0	0
130	75540-64950	MARK WHITE	7				0	0
140	75540-64960	MARK YELLOW	7				0	0
150	75540-64970	MARK BLUE	7				0	0
160	75540-64980	MARK RED	7				0	0
170	75546-66100	ASSY HOSE 1 HYDRAULI	4				0	0
180	75546-66110	HOSE 1 HYDRAULIC	4			L:40.0 9/16-18X 1/4-18 NPTF	0	0
190	75532-66320	COUPLER	4				0	0
200	75532-66330	PLUG DUST	4				0	0
210	75590-64580	SLEEVE	1				0	0

CYLINDER (BOOM) [COMPONENT PARTS]



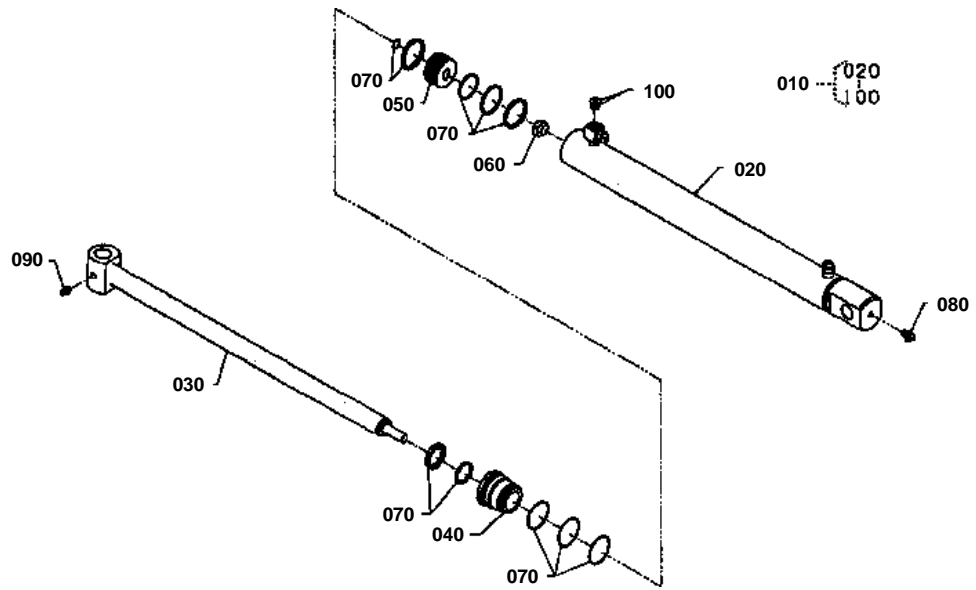
**CYLINDER (BOOM) [COMPONENT PARTS]**

S.No.;&lt;=16444

↔ Interchangeable; ≠ not interchangeable; ← new for old; → old for new

REF.No	Part No.	Description	Q'ty	S.No.	I/C	REMARKS	Weight (kgf)	Weight (lb)
010	75545-63010	CYLINDER 1	2				0	0
020	75545-63100	TUBE 1 COMP	2				0	0
030	75545-63200	ROD 1 COMP	2				0	0
040	75545-63310	HEAD 1	2				0	0
050	75545-63350	PISTON 1	2				0	0
060	75545-63360	NUT	2				0	0
070	75545-63400	KIT 1 SEAL	2				0	0
080	75532-63470	FITTING GREASE(90DEG	2				0	0
090	75599-81531	FITTING GREASE(1/8-2	2				0	0
100	75540-63490	PLUG	2				0	0

CYLINDER (BOOM) [COMPONENT PARTS]



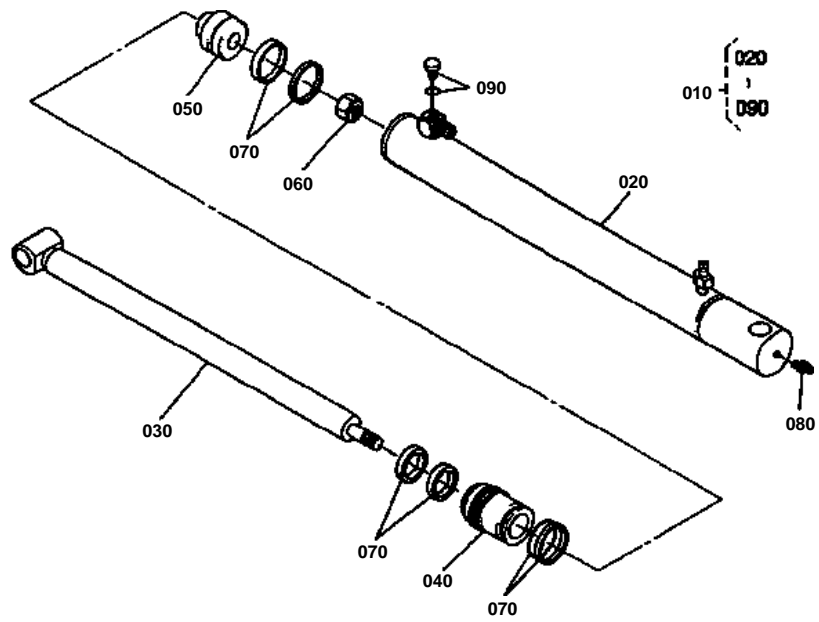
**CYLINDER (BOOM) [COMPONENT PARTS]**

S.No.;&gt;=16445

↔ Interchangeable; ≠ not interchangeable; ← new for old; → old for new

REF.No	Part No.	Description	Q'ty	S.No.	I/C	REMARKS	Weight (kgf)	Weight (lb)
010	75545-63110	CYLINDER 1	2				0	0
020	75545-63300	TUBE 1 COMP	2				0	0
030	75545-63500	ROD 1 COMP	2				0	0
040	75545-63410	HEAD 1	2				0	0
050	75545-63430	PISTON 2	2				0	0
060	75545-64460	NUT	2				0	0
070	75545-63600	KIT 1 SEAL	2				0	0
080	75532-63470	FITTING GREASE(90DEG	2				0	0
090	75599-81531	FITTING GREASE(1/8-2	2				0	0
100	75540-63490	PLUG	2				0	0

CYLINDER (BUCKET) [COMPONENT PARTS]





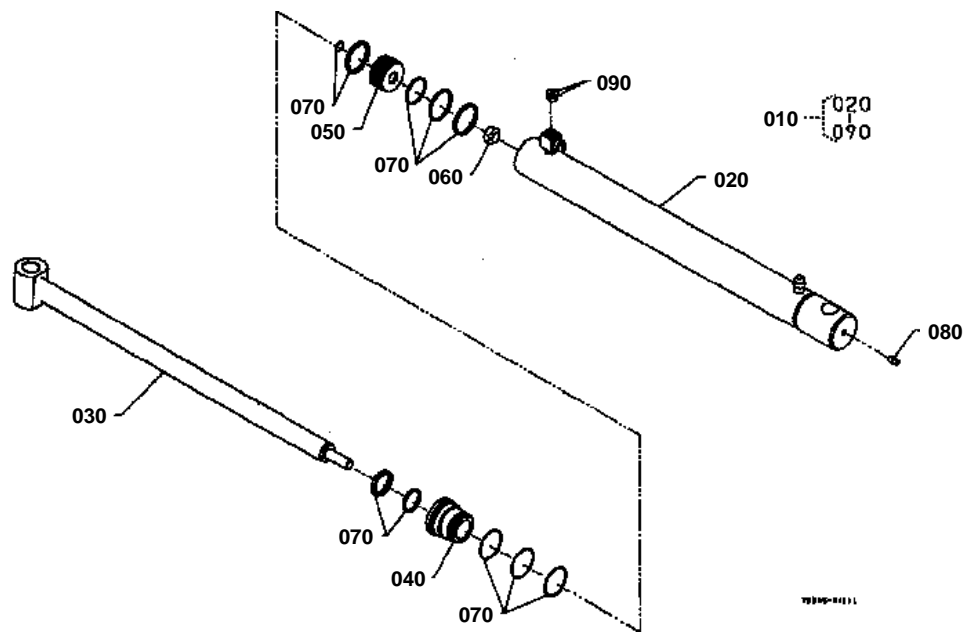
**CYLINDER (BUCKET) [COMPONENT PARTS]**

S.No.;&lt;=16444

↔ Interchangeable; ≠ not interchangeable; ← new for old; → old for new

REF.No	Part No.	Description	Q'ty	S.No.	I/C	REMARKS	Weight (kgf)	Weight (lb)
010	75545-64010	CYLINDER 2	2				0	0
020	75545-64100	TUBE 2 COMP	2				0	0
030	75545-64200	ROD 2 COMP	2				0	0
040	75545-64310	HEAD 2	2				0	0
050	75545-64350	PISTON 2	2				0	0
060	75545-64360	NUT	2				0	0
070	75545-64400	KIT 2 SEAL	2				0	0
080	75599-81531	FITTING GREASE(1/8-2	2				0	0
090	75540-63490	PLUG	2				0	0

CYLINDER (BUCKET) [COMPONENT PARTS]



**CYLINDER (BUCKET) [COMPONENT PARTS]**

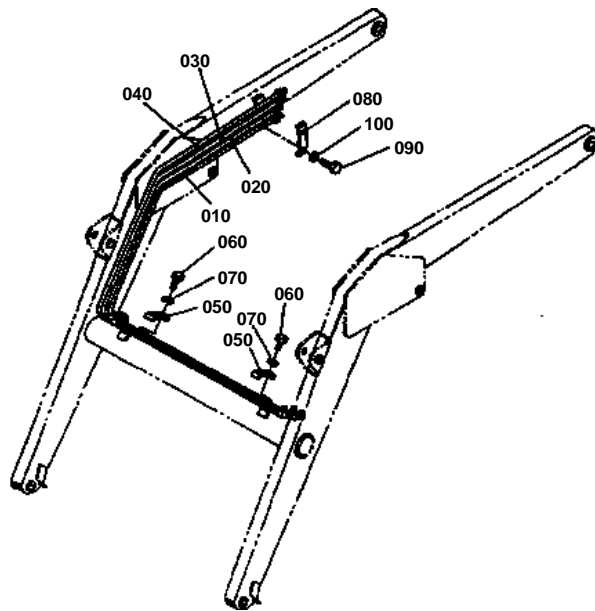
S.No.;&gt;=16445

↔ Interchangeable; ≠ not interchangeable; ← new for old; → old for new

REF.No	Part No.	Description	Q'ty	S.No.	I/C	REMARKS	Weight (kgf)	Weight (lb)
010	75545-64110	CYLINDER 2 (ILLUSTRA	2				0	0
020	75545-64300	TUBE 2 COMP	2				0	0
030	75545-64500	ROD 2 COMP	2				0	0
040	75545-64410	HEAD 2	2				0	0
050	75545-63430	PISTON 2	2				0	0
060	75545-64460	NUT (5/8-24UNFP)	2				0	0
070	75545-64600	KIT 2 SEAL	2				0	0
080	75599-81531	FITTING GREASE(1/8-2	2				0	0
090	75540-63490	PLUG	2				0	0

# HYDRAULIC TUBE

---



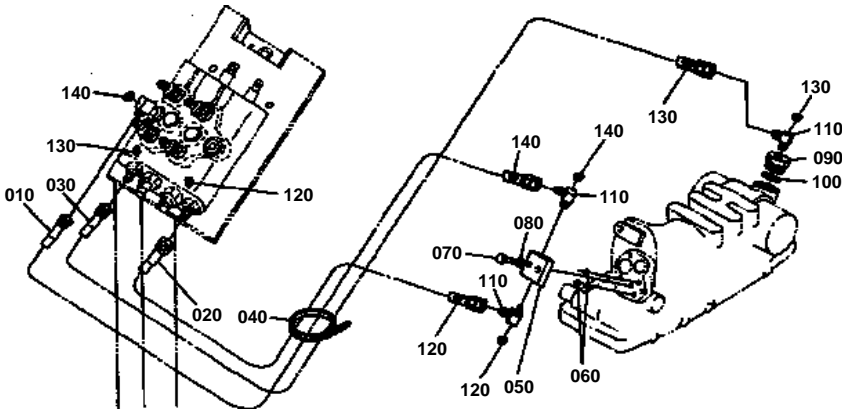


## HYDRAULIC TUBE

↔ Interchangeable; ≠ not interchangeable; ← new for old; → old for new

REF.No	Part No.	Description	Q'ty	S.No.	I/C	REMARKS	Weight (kgf)	Weight (lb)
010	75540-65110	TUBE 1 HYDRAULIC	1				0	0
020	75546-65210	TUBE 2 HYDRAULIC	1				0	0
030	75540-65310	TUBE 3 HYDRAULIC	1				0	0
040	75580-65410	TUBE 4 HYDRAULIC	1				0	0
050	75540-65510	CLAMP 1	2				0	0
060	75599-01220	HEX.BOLT(5/16-18UNC*	4				0	0
070	75599-33012	WASHER SPRING LOCK(5	4				0	0
080	75540-65530	CLAMP 2	1				0	0
090	75599-01215	HEX.BOLT(5/16-18UNC*	2				0	0
100	75599-33012	WASHER SPRING LOCK(5	2				0	0

HYDRAULIC TUBE [LB400]



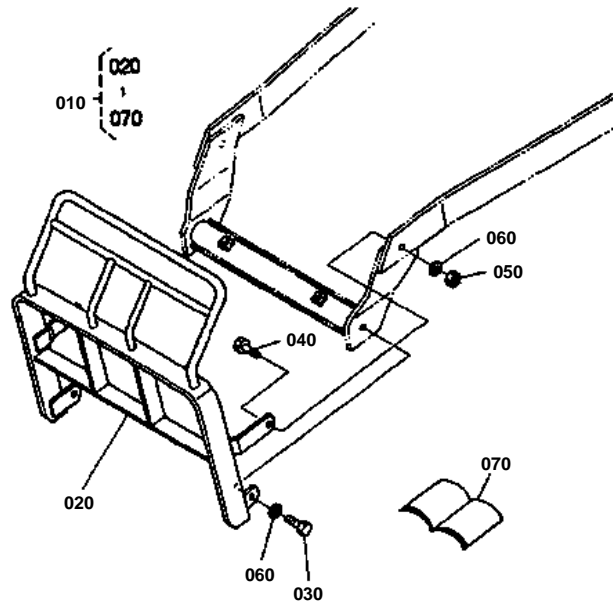


# HYDRAULIC TUBE [LB400]

↔ Interchangeable; ≠ not interchangeable; ← new for old; → old for new

REF.No	Part No.	Description	Q'ty	S.No.	I/C	REMARKS	Weight (kgf)	Weight (lb)
010	75546-66310	HOSE 5 HYDRAULIC	1			L:80.5 3/4-16 BOTH ENDS	0	0
020	75546-66410	HOSE 6 HYDRAULIC	1			L:71.0 3/4-16 BOTH ENDS	0	0
030	75546-66510	HOSE 7 HYDRAULIC	1			L:74.0 3/4-16 BOTH ENDS	0	0
040	75590-64650	BAND CODE	2				0	0
050	75546-68110	BLOCK HYDRAULIC	1				0	0
060	75541-68130	O-RING	2				0	0
070	01053-50865	HEX.BOLT(M8*1.25*65)	2				0.025	0.055
080	75599-33012	WASHER SPRING LOCK(5	2				0	0
090	75541-68150	PLUG TANK PORT	1				0	0
100	75541-68160	O-RING	1				0	0
110	75540-64910	ELBOW 1	3				0	0
120	75580-68950	MARK ORANGE	3				0	0
130	75580-68960	MARK GRAY	3				0	0
140	75580-68970	MARK GREEN	3				0	0

FRONT GUARD [OPTION]







## FRONT GUARD [OPTION]

↔ Interchangeable; ≠ not interchangeable; ← new for old; → old for new

REF.No	Part No.	Description	Q'ty	S.No.	I/C	REMARKS	Weight (kgf)	Weight (lb)
010	75540-99500	KIT GUARD FRONT	1				0	0
020	75540-57810	GUARD FRONT	1				0	0
030	75599-04625	HEX.BOLT(9/16-18UNF*)	2				0	0
040	75599-04640	HEX.BOLT(9/16-18UNF*)	2				0	0
050	75599-31066	HEX.NUT(9/16-18UNF)	2				0	0
060	75599-33016	WASHER SPRING LOCK(9	4				0.08	0.176
070	75540-99520	MANUAL ASSEMBLY	1				0	0

**IMAGE NOT AVAILABLE**



## ACCESSORIES AND SERVICE PARTS

↔ Interchangeable; ≠ not interchangeable; ← new for old; → old for new

REF.No	Part No.	Description	Q'ty	S.No.	I/C	REMARKS	Weight (kgf)	Weight (lb)
010	75546-69110	OPERATOR'S MANUAL	1				0	0
020	75546-95500	KIT FRNCH	1			REF.No.030 TO 070	0	0
030	75553-99610	LABEL CAUTION	1			FRENCH	0	0
040	75580-95550	LABEL LUBRICATE	1			FRENCH	0	0
050	75540-99620	LABEL WARNING	1			FRENCH	0	0
060	75553-99630	LABEL LEVELER	1			FRENCH	0	0
070	75553-99640	LABEL CONTROL	1			FRENCH	0	0
160	75545-99920	WORKSHOP MANUAL	1				0	0
180	75545-99930	FLAT-RATE SCHEDULE	1				0	0