

Instructions for Parts Books

The heading at the top of the page will be the same for the picture of the parts as it is for the page with the part numbers.

Definition of column headings on part number pages:

REF.No → The number referring to the part on the picture page of the parts book.

Part No. → The number assigned to this part at the time of printing the parts book.

Description → Description of part.

Q'ty → Quantity of part used on that page.

S.No. → Serial number range of the equipment that this part will fit.

>= Your serial number should be greater than or equal to the number shown.

<= Your serial number should be lesser than or equal to the serial number shown.

I/C → Interchangeability of part shown.

↔ The part shown will work for the older and later serial number.

The part shown is not interchangeable with the other serial number.

← new for old

→ old for new

Remarks → Notes about this particular part. Sometimes this may say except [FR] or [CA]

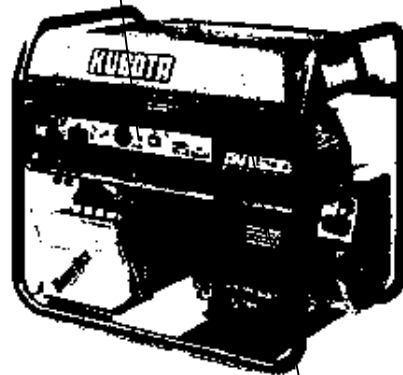
Note about Country Codes:

The parts books we use in the United States of America may also contain information about a part that would be different in another country. It is important that you are aware of the country codes in some instances.

Symbol	Country
A	United States of America
CA	Canada
FR	France
GR	Greece
PO	Portugal
AU	Australia

If the remarks column says for example EXCEPT [FR] this part works in all countries except France. That means it will work here in the USA.

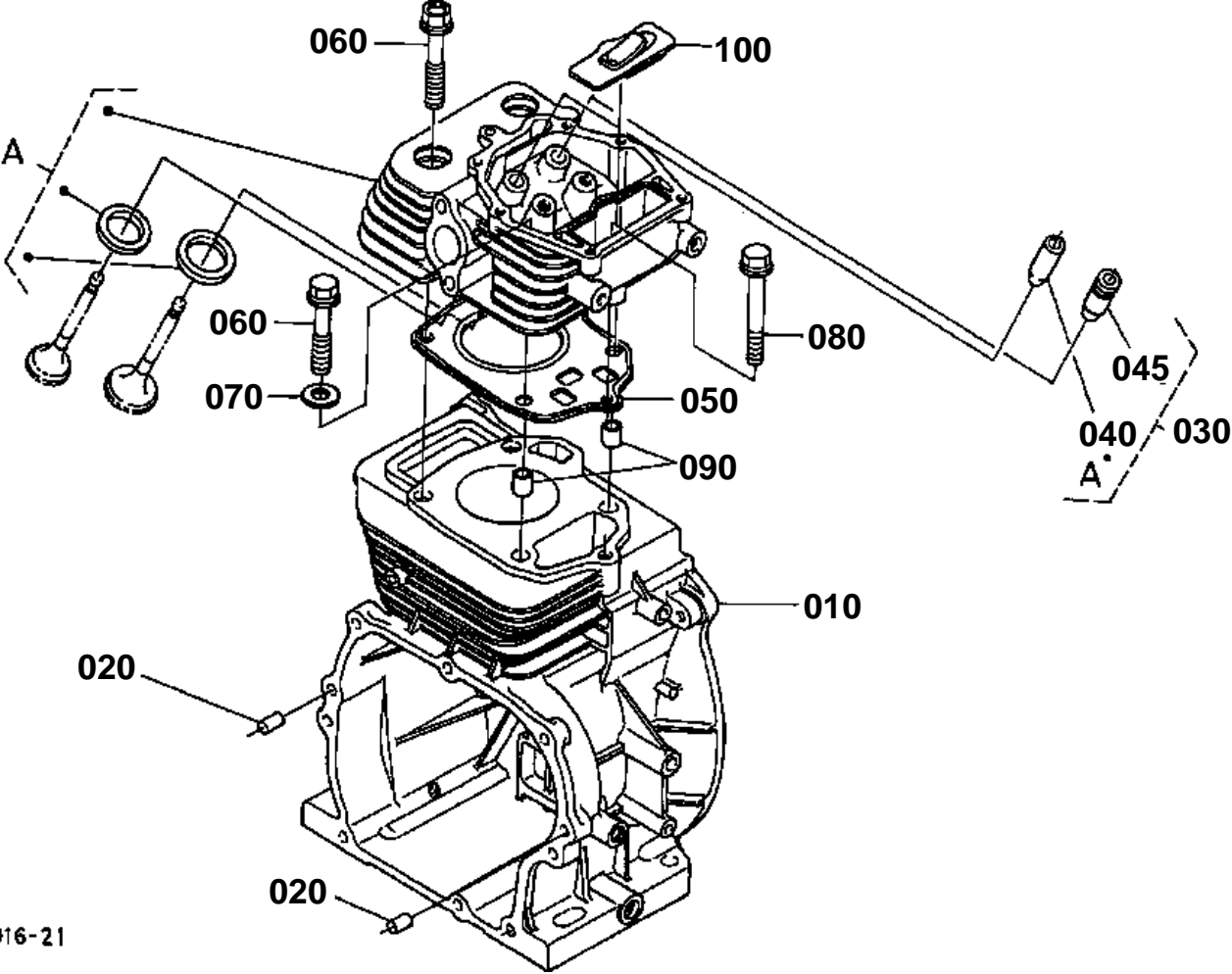
GENERATOR



ENGINE

Item	Part No.	Description	Book
ENGINE	032001	CRANKCASE AND CYLINDER HEAD	100A0049
	032002	CRANKCASE COVER	100A0049
	032006	FAN COVER	100A0049
	032100	CAMSHAFT	100A0049
	032102	PISTON AND CRANKSHAFT	100A0049
	032200	GOVERNOR	100A0049
	032201	FUEL FILTER AND FUEL PUMP	100A0049
	032204	CARBURETTOR (COMPONENT PARTS)	100A0049
	032300	RECOIL STARTER	100A0049
	032301	FLYWHEEL AND MAGNETO	100A0049
	032305	OIL WATCH	100A0049
	032400	VALVE AND ROCKER ARM	100A0049
	GENERATOR	08D101	FRAME
08D201		GENERATOR	100A0049
08D301		CONTROL BOX	100A0049
08D401		AIR CLEANER	100A0049
08D501		MUFFLER	100A0049
08D601		FUEL TANK	100A0049
08D901		TOOLS	100A0049

CRANKCASE AND CYLINDER HEAD



12659-016-21

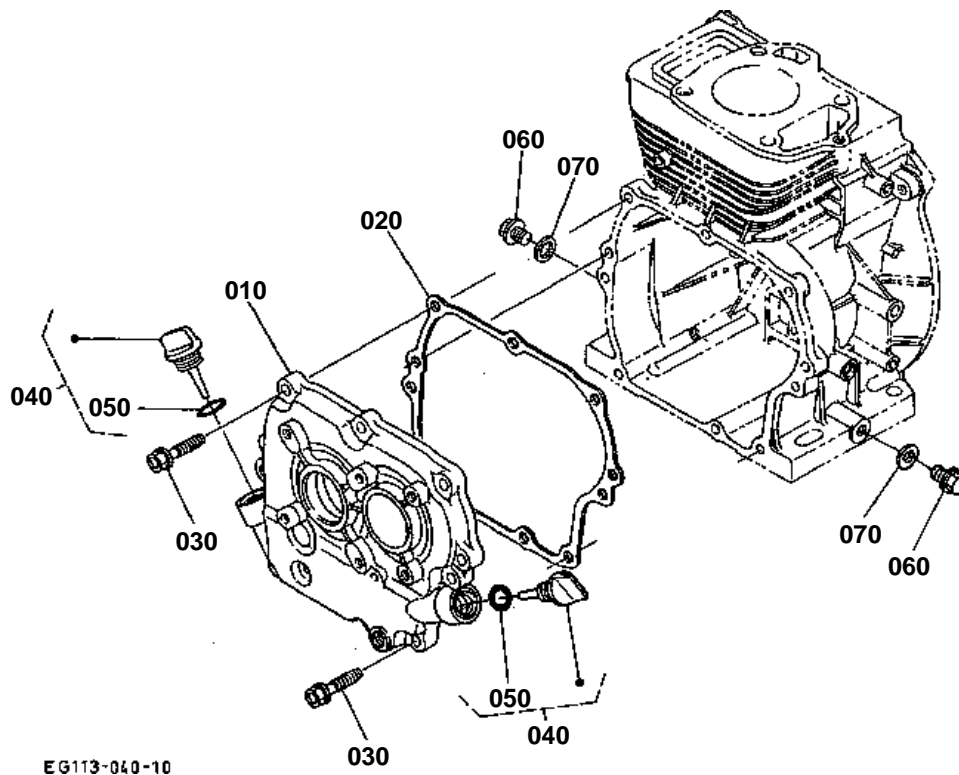


CRANKCASE AND CYLINDER HEAD

↔ Interchangeable; ≠ not interchangeable; ← new for old; → old for new

REF.No	Part No.	Description	Q'ty	S.No.	I/C	REMARKS	Weight (kgf)	Weight (lb)
010	12609-02110	CYLINDER	1	≤1U0072			4.9	10.78
010	12609-02118	BLOCK CYLINDER	1	≥1W0001	↔		0	0
020	13325-94510	PIN STRAIGHT	2				0.009	0.0198
030	EG173-03040	COMP.CYLINDER HEAD	1	≤G04242			1.46	3.212
030	EG173-03042	COMP.CYLINDER HEAD	1	≥G04243	≠		0	0
040	12628-13580	GUIDE VALVE	2	≤G04242			0.015	0.033
040	12628-13580	GUIDE VALVE	1	≥G04243			0.015	0.033
045	12621-13540	GUIDE VALVE INTAKE	1	≥G04243			0	0
050	12556-03310	GASKET HEAD	1				0.025	0.055
060	12627-03450	BOLT CYLINDER HEAD	4				0.04	0.088
070	12181-03540	WASHER HEAD BOLT	2				0.002	0.0044
080	01754-50850	BOLT FLANGE	1				0.02	0.044
090	12181-94540	PIPE KNOCK	2				0.003	0.0066
100	12908-05010	COMP.BREATHER	1				0.028	0.0616

CRANKCASE COVER



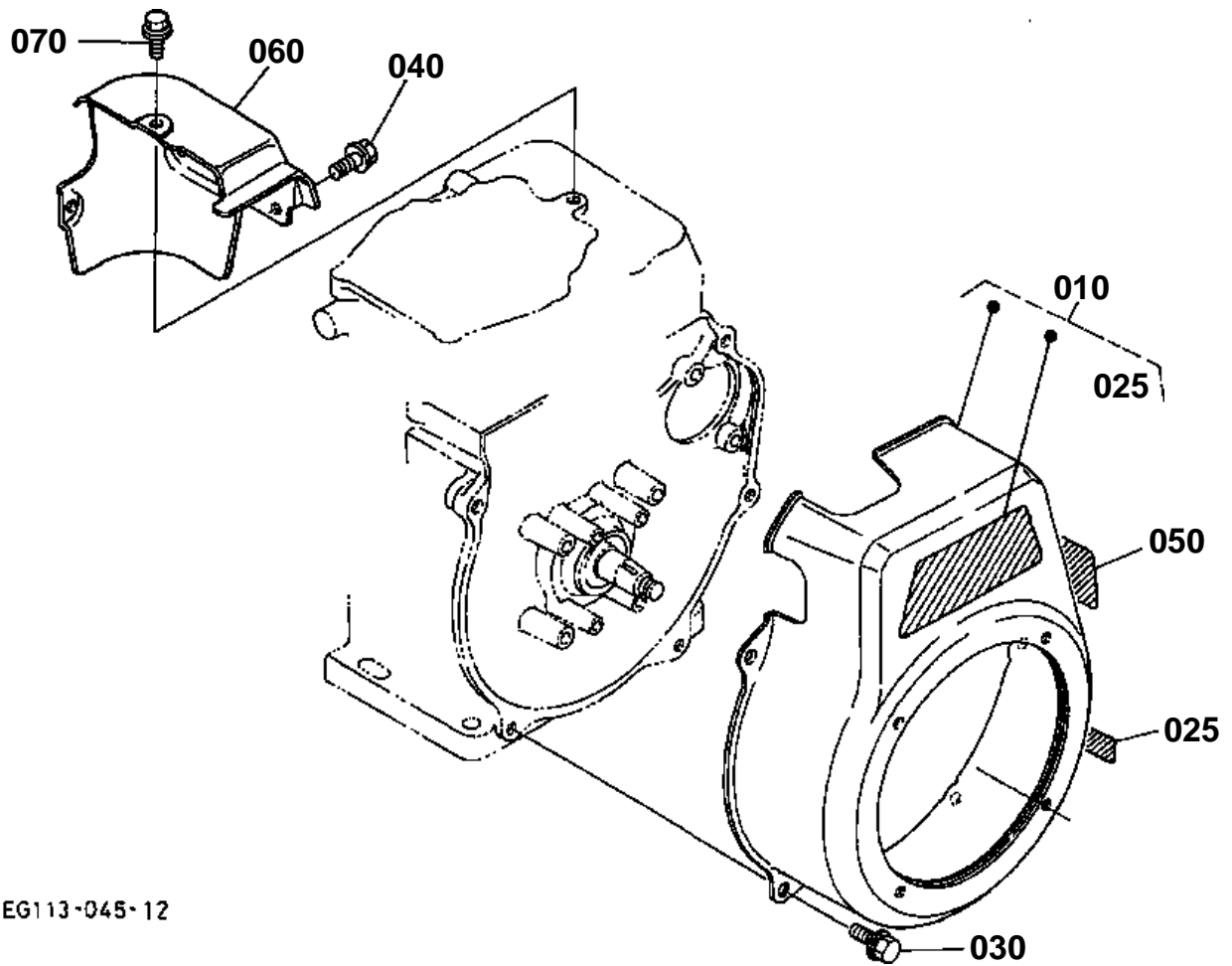


CRANKCASE COVER

↔ Interchangeable; ≠ not interchangeable; ← new for old; → old for new

REF.No	Part No.	Description	Q'ty	S.No.	I/C	REMARKS	Weight (kgf)	Weight (lb)
010	12556-01060	ASSY COVER CRANKCASE	1				1.4	3.08
020	12627-01340	GASKET CRANKCASE NA	1				0.005	0.011
030	13921-91110	BOLT	8	<=YY0008			0.018	0.0396
030	01754-50830	BOLT FLANGE	8	>=1A0001	≠		0.01	0.022
040	12401-33080	ASSY GAUGE OIL	2	<=2J0059			0.01	0.022
040	12401-33082	ASSY GAUGE OIL	2	>=2L0001	←		0.01	0.022
050	04811-00180	O RING	2	<=2J0059			0	0
050	04817-00180	O RING	2	>=2L0001	←		0.003	0.0066
060	13901-33750	PLUG DRAIN	2				0.03	0.066
070	04724-00120	GASKET	2				0.002	0.0044

FAN COVER



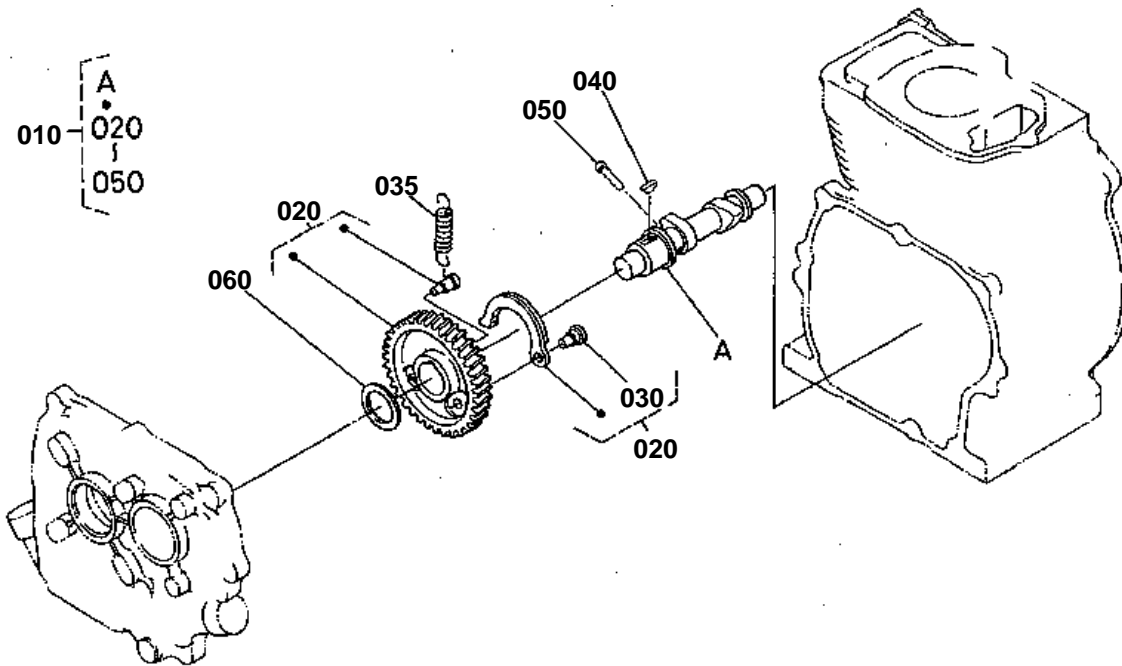
EG113-045-12

**FAN COVER**

↔ Interchangeable; ≠ not interchangeable; ← new for old; → old for new

REF.No	Part No.	Description	Q'ty	S.No.	I/C	REMARKS	Weight (kgf)	Weight (lb)
010	EG174-74040	ASSY COVER FAN.RED	1	<=XZ9999			0	0
010	EG174-74043	ASSY COVER FAN.RED	1	>=YA0001	←		0.64	1.408
020	99999-99999	BLANK	0				0	0
025	EG174-88010	LABEL	1				0.001	0.0022
030	01754-50814	BOLT FLANGE	5				0.005	0.011
040	01123-60814	BOLT	2				0.008	0.0176
050	18430-88310	LABEL OIL	1	<=WN0540			0	0
050	18430-88312	LABEL OIL	1	>=WQ0001	←		0.01	0.022
060	12627-74480	COWLING CYL.HEAD	1				0.18	0.396
070	13921-91040	BOLT	2				0.006	0.0132

CAMSHAFT



EG113-014-11

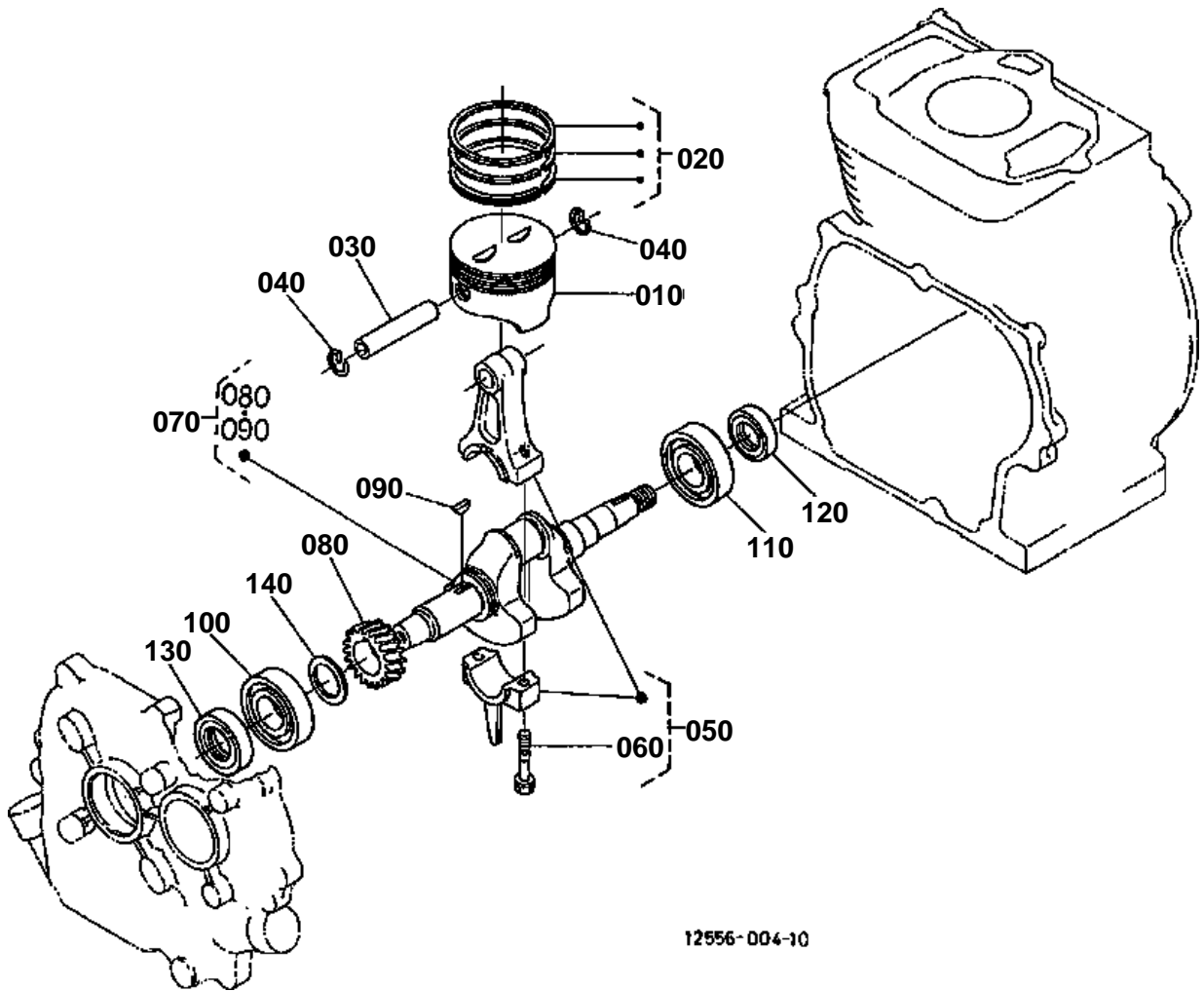


CAMSHAFT

↔ Interchangeable; ≠ not interchangeable; ← new for old; → old for new

REF.No	Part No.	Description	Q'ty	S.No.	I/C	REMARKS	Weight (kgf)	Weight (lb)
010	12627-16010	ASSY CAMSHAFT	1				0.95	2.09
020	12627-16500	COMP GEAR CAMSHAFT	1				0.49	1.078
030	12621-66320	SHAFT FLY WEIGHT	1	≤VF0020			0.007	0.0154
030	E3132-66320	SHAFT FLY WEIGHT	1	≥VG0001	↔		0.005	0.011
035	12621-66280	SPRING DECOMP	1				0.003	0.0066
040	05811-00413	KEY WOODRUFF	1				0.002	0.0044
050	12184-66270	PIN DECOMP	1				0.01	0.022
060	13642-16610	SHIM	1			0.20MM	0.001	0.0022
060	13962-16620	SHIM	1			0.25MM	0.002	0.0044
060	13962-16630	SHIM	1			0.30MM	0.001	0.0022
060	13962-16640	SHIM	1			0.35MM	0.001	0.0022
060	13962-16650	SHIM	1			0.40MM	0.002	0.0044

PISTON AND CRANKSHAFT



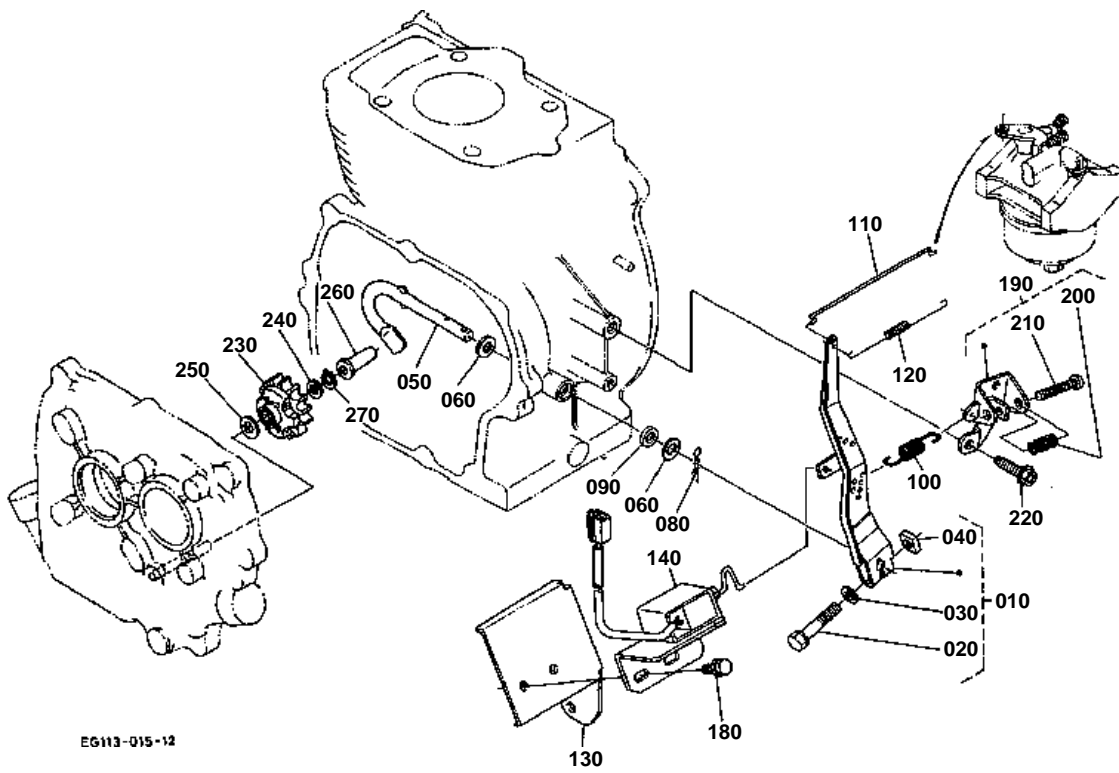
12556-004-10



PISTON AND CRANKSHAFT

↔ Interchangeable; ≠ not interchangeable; ← new for old; → old for new

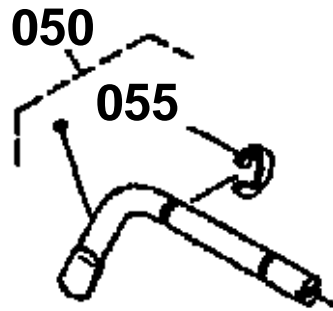
REF.No	Part No.	Description	Q'ty	S.No.	I/C	REMARKS	Weight (kgf)	Weight (lb)
010	12556-21113	PISTON	1			STD	0.26	0.572
010	12556-21923	PISTON	1			+0.25MM	0.23	0.506
010	12556-21913	PISTON	1			+0.50MM	0.23	0.506
020	12556-21052	ASSY RING PISTON	1			STD	0.004	0.0088
020	12556-21102	ASSY RING PISTON	1			+0.25MM	0.003	0.0066
020	12556-21092	ASSY RING PISTON	1			+0.50MM	0.003	0.0066
030	12627-21310	PIN PISTON	1				0.03	0.066
040	13961-21330	CIR-CLIP INTERNAL	2				0.001	0.0022
050	12627-22010	ASSY ROD CONNECTING	1			STD	0.22	0.484
050	12627-22050	ASSY ROD CONNECTING	1			-0.25MM	0.21	0.462
050	12627-22060	ASSY ROD CONNECTING	1			-0.50MM	0.22	0.484
060	12627-22140	BOLT ROD	2				0.03	0.066
070	12004-23030	ASSY CRANKSHAFT	1	<=TM0030			3.8	8.36
070	12004-23035	ASSY CRANKSHAFT	1	>=VA0001	≠		2.74	6.028
080	12965-24110	GEAR CRANK	1				0.19	0.418
090	05811-00416	KEY WOODRUFF	1				0.002	0.0044
100	08103-06206	BEARING BALL	1	<=VA0024			0.2	0.44
100	12621-16300	BEARING BALL	1	>=VB0001	↔		0.19	0.418
110	08103-06306	BEARING BALL	1				0.345	0.759
120	E3131-23550	SEAL OIL	1				0.009	0.0198
130	13961-16640	SEAL OIL	1				0.01	0.022
140	13641-23680	SHIM	1			0.20MM	0.002	0.0044
140	13641-16550	SHIM	1			0.25MM	0.001	0.0022
140	13641-23620	SHIM	1			0.30MM	0.001	0.0022
140	13641-16560	SHIM	1			0.35MM	0.002	0.0044
140	13641-23630	SHIM	1			0.40MM	0.002	0.0044
140	12621-16600	SHIM	1			0.45MM	0.003	0.0066
140	13641-23650	SHIM	1			0.50MM	0.001	0.0022
140	12621-23680	SHIM	1			0.55MM	0.002	0.0044
140	12621-23690	SHIM	1			0.60MM	0.003	0.0066



EG113-015-12

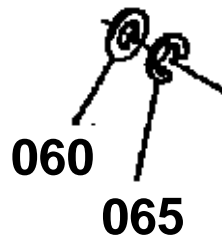
050 12627-5610-0

055 04613-50070



060 04012-50080

065 04613-50070



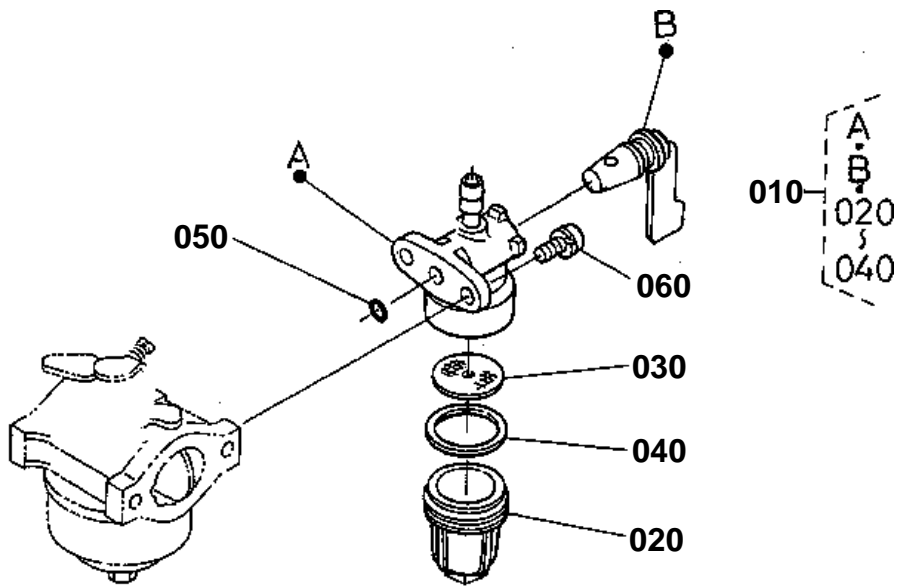
EG161-800-10



GOVERNOR

↔ Interchangeable; ≠ not interchangeable; ← new for old; → old for new

REF.No	Part No.	Description	Q'ty	S.No.	I/C	REMARKS	Weight (kgf)	Weight (lb)
010	12007-56020	ASSY LEVER GOVERNOR	1				0.105	0.231
020	01123-50835	BOLT	1				0.02	0.044
030	04012-50080	WASHER PLAIN	1				0.001	0.0022
040	13961-92020	NUT	1				0.007	0.0154
050	12627-56100	ASSY SHAFT G-LEVER	1	≤VC0020			0.05	0.11
050	12627-56142	SHAFT GOV.LEVER	1	≥VD0001	≠		0.05	0.11
055	04613-50070	CIR CLIP EXTERNAL	1	≤VC0020			0.001	0.0022
060	04012-50080	WASHER PLAIN	1	≤VC0020			0.001	0.0022
060	04013-60080	WASHER PLAIN	2	≥VD0001	≠		0.002	0.0044
065	04613-50070	CIR CLIP EXTERNAL	1	≤VC0020			0.001	0.0022
070	99999-99999	BLANK	0				0	0
080	05515-60800	PIN SNAP	1	≥VD0001			0.002	0.0044
090	13641-56240	GASKET	1				0.001	0.0022
100	12007-56410	SPRING GOVERNOR	1				0.01	0.022
110	12623-56350	ROD GOVERNOR	1				0.008	0.0176
120	12627-56390	SPRING ROD	1				0.005	0.011
130	12004-56650	STAY SOLENOID	1	≤WN0540			0	0
130	12004-56654	STAY SOLENOID	1	≥WQ0001	←		0.25	0.55
140	12007-56710	ASSY SOLENOID	1				0.29	0.638
150	99999-99999	BLANK	0				0	0
160	99999-99999	BLANK	0				0	0
170	99999-99999	BLANK	0				0	0
180	01754-50612	BOLT FLANGE	2				0.005	0.011
190	12647-57010	ASSY CONTROLLER	1				0.06	0.132
200	12647-57510	SPRING	1				0.002	0.0044
210	03014-60635	SCREW PAN-HEAD	1				0.01	0.022
220	13185-91130	BOLT	1				0.01	0.022
230	13961-55290	COMP GEAR GOVERNOR	1				0.033	0.0726
240	13641-55333	WASHER	1				0.001	0.0022
250	13641-55342	WASHER	1				0.002	0.0044
260	13961-55450	SLEEVE GOVERNOR	1				0.002	0.0044
270	13641-55363	CLIP GOVERNOR	1				0.001	0.0022



EG113-003-10

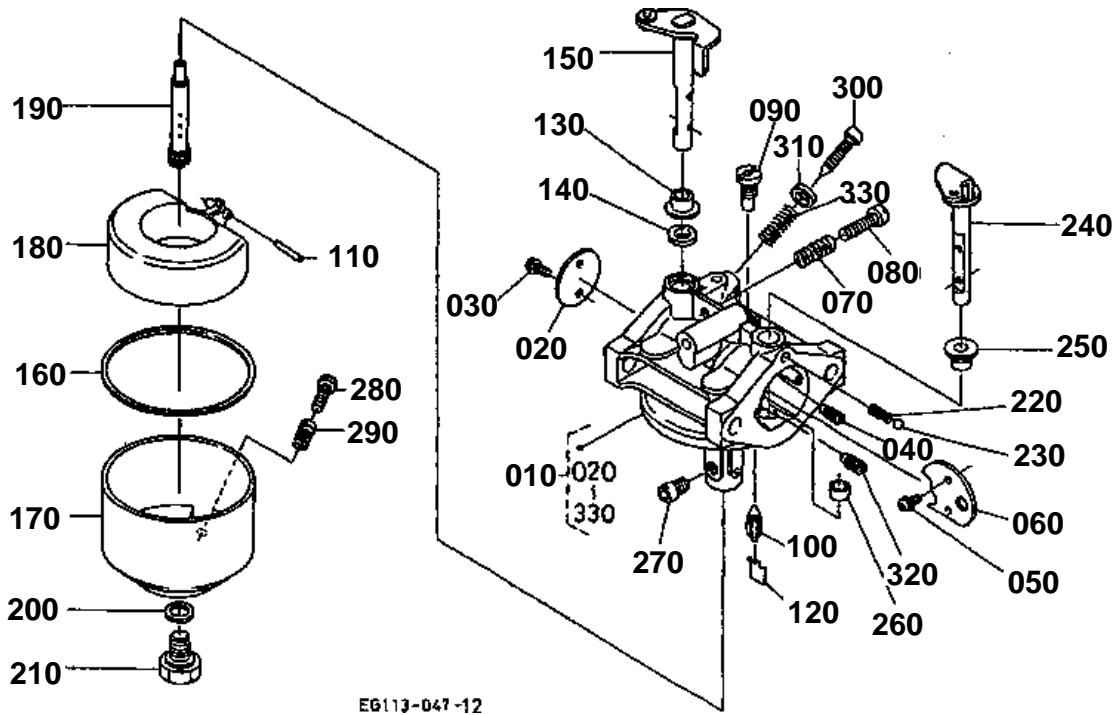


FUEL FILTER AND FUEL PUMP

↔ Interchangeable; ≠ not interchangeable; ← new for old; → old for new

REF.No	Part No.	Description	Q'ty	S.No.	I/C	REMARKS	Weight (kgf)	Weight (lb)
010	E3131-43010	ASSY COCK FUEL	1				0.057	0.1254
020	E3131-43130	CUP	1				0.003	0.0066
030	E3131-43160	FILTER	1				0.001	0.0022
040	E3131-43140	GASKET	1				0.001	0.0022
050	12643-96750	O RING	1				0.001	0.0022
060	03024-50512	SCREW WITH WASHER	2				0.003	0.0066

CARBURETTOR (COMPONENT PARTS)



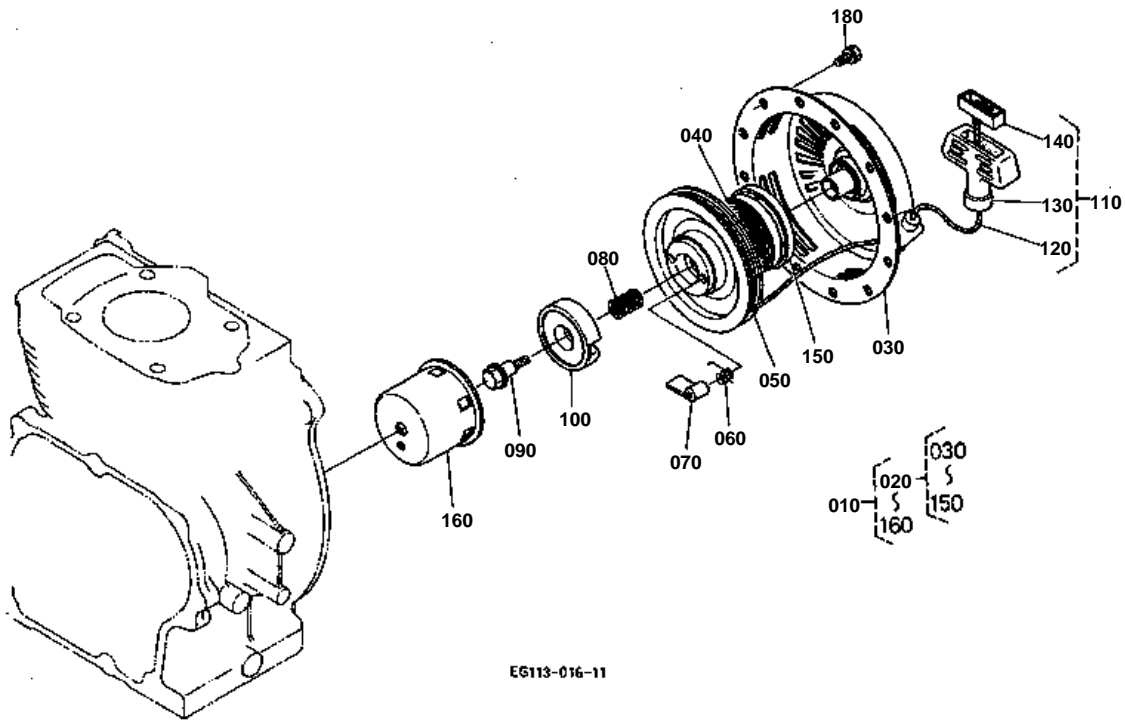


CARBURETTOR (COMPONENT PARTS)

↔ Interchangeable; ≠ not interchangeable; ← new for old; → old for new

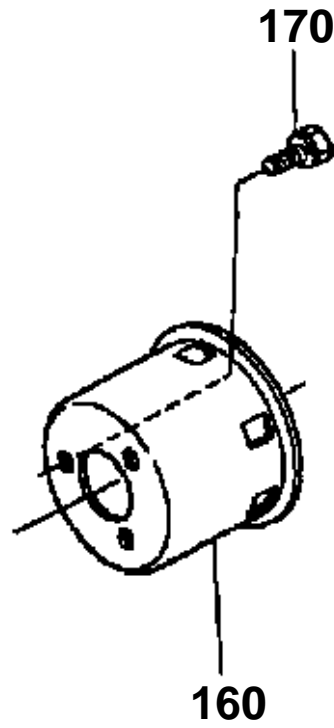
REF.No	Part No.	Description	Q'ty	S.No.	I/C	REMARKS	Weight (kgf)	Weight (lb)
010	EG174-44010	ASSY CARBURETTOR	1				0.24	0.528
030	E0101-44340	SCREW CROSS	2				0.001	0.0022
050	E0101-44550	SCREW	2				0.001	0.0022
060	12621-44530	VALVE CHOKE	1				0.005	0.011
070	12621-44210	SPRING	2				0.003	0.0066
070	12621-44210	SPRING	1			<=WS0100 >=WU0001	0.003	0.0066
080	12154-44230	SCREW IDLE	1				0.002	0.0044
100	12004-44840	NEEDLE	1				0.005	0.011
110	12621-44780	PIN	1				0.002	0.0044
120	12621-44860	CLIP	1				0.001	0.0022
130	12621-44570	RING	1				0.005	0.011
140	12002-44850	SEAL V	1				0.001	0.0022
150	12622-44300	SHAFT THROTTLE	1				0.015	0.033
160	13266-44740	PACKING F/CHAMBER	1				0.002	0.0044
170	12622-44730	CHAMBER FLOAT	1				0.05	0.11
180	12621-44710	FLOAT	1				0.01	0.022
200	12307-44280	GASKET	1				0.001	0.0022
210	12622-44280	BOLT	1				0.01	0.022
220	13581-44520	SPRING	1				0.001	0.0022
230	13581-97130	BALL	1				0.001	0.0022
240	12004-44510	LEVER CHOKE	1				0.005	0.011
250	12271-44660	RING	1				0.001	0.0022
260	12271-44670	RING	1				0.001	0.0022
280	13941-44830	SCREW DRAIN	1				0.002	0.0044
290	13941-44810	SPRING	1				0.001	0.0022
300	EG131-44220	ADJUSTER	1				0.002	0.0044
310	EG111-44860	CAP	1				0.001	0.0022
330	13941-44210	SPRING	1			>=WU0001	0.001	0.0022

RECOIL STARTER



160 12004-6174-0

170 01023-50614



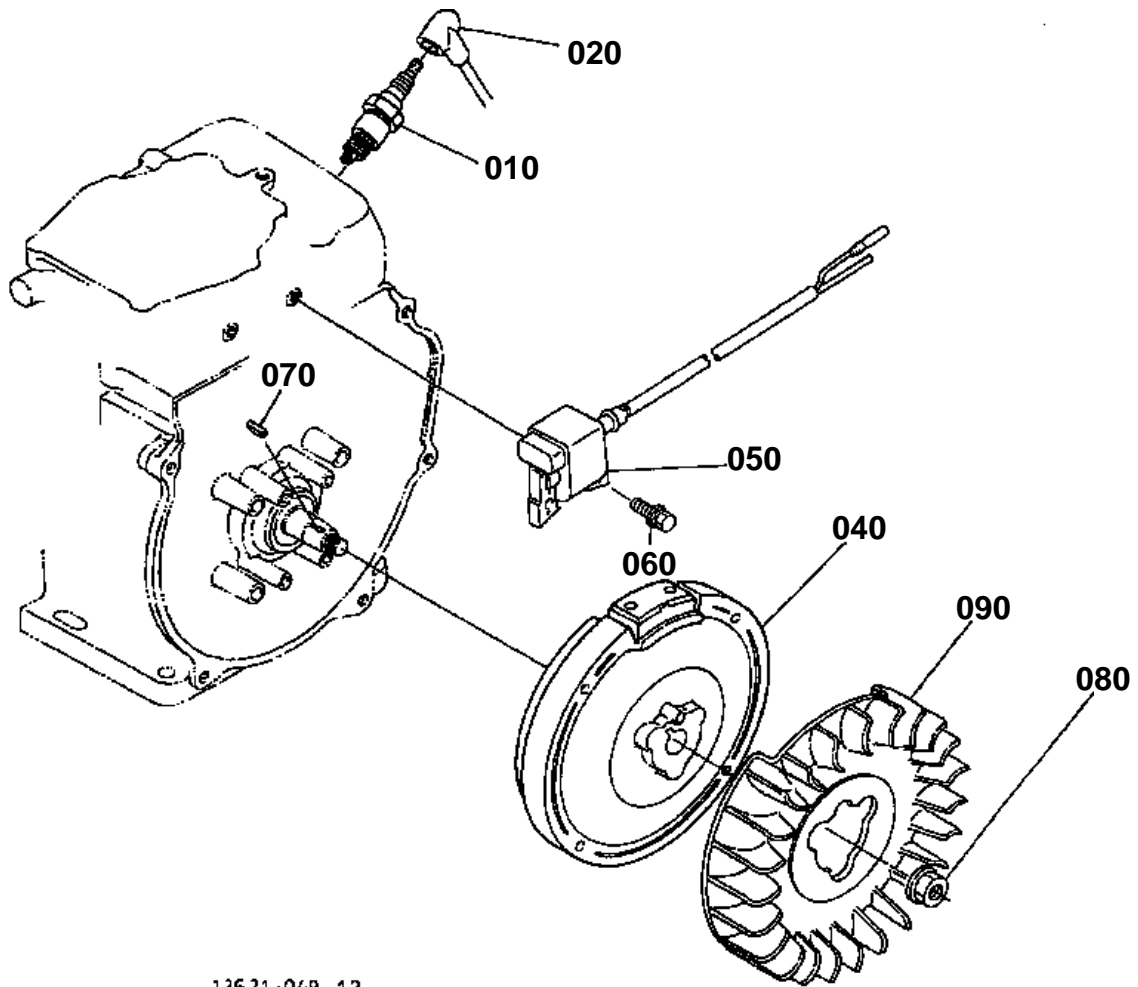
EG192-803-10



RECOIL STARTER

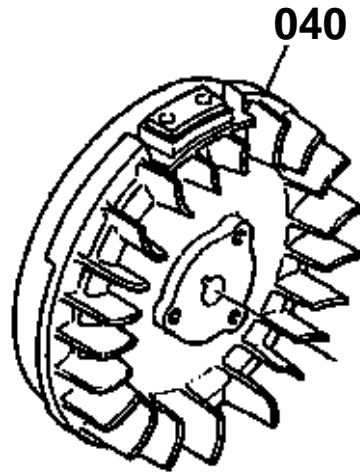
↔ Interchangeable; ≠ not interchangeable; ← new for old; → old for new

REF.No	Part No.	Description	Q'ty	S.No.	I/C	REMARKS	Weight (kgf)	Weight (lb)
010	12004-61010	ASSY STARTER RECOIL	1	<=TM0030			0.84	1.848
010	12622-61010	ASSY STARTER RECOIL	1	>=VA0001	≠		0.85	1.87
020	E6102-61080	ASSY STARTER REC SUB	1				0.63	1.386
030	12004-61550	COMP CASE STARTER	1				0.4	0.88
040	12647-61540	SPRING SPIRAL	1				0.06	0.132
050	12004-61520	REEL	1				0.095	0.209
060	13615-61630	SPRING DOG	2				0.001	0.0022
070	13902-61530	CLAW	2				0.008	0.0176
080	13626-61850	SPRING BRAKE	1				0.001	0.0022
090	12763-61870	SCREW CENTER	1				0.006	0.0132
100	E6102-61620	RETAINER	1				0.035	0.077
110	12004-61090	ASSY ROPE STARTER	1				0.04	0.088
120	12004-61650	ROPE STARTER	1				0.02	0.044
130	12521-61670	HANDLE	1				0.021	0.0462
140	12184-61710	PROTECTOR	1				0.005	0.011
150	12647-61600	CASE SPRING	1				0.01	0.022
160	12004-61740	PULLEY START	1	<=TM0030			0.2	0.44
160	12622-61730	PULLEY START	1	>=VA0001	≠		0.2	0.44
170	01023-50614	BOLT	3	<=TM0030			0.005	0.011
180	01754-50608	BOLT FLANGE	4				0.005	0.011



12621-049-12

040 12004-6703-0

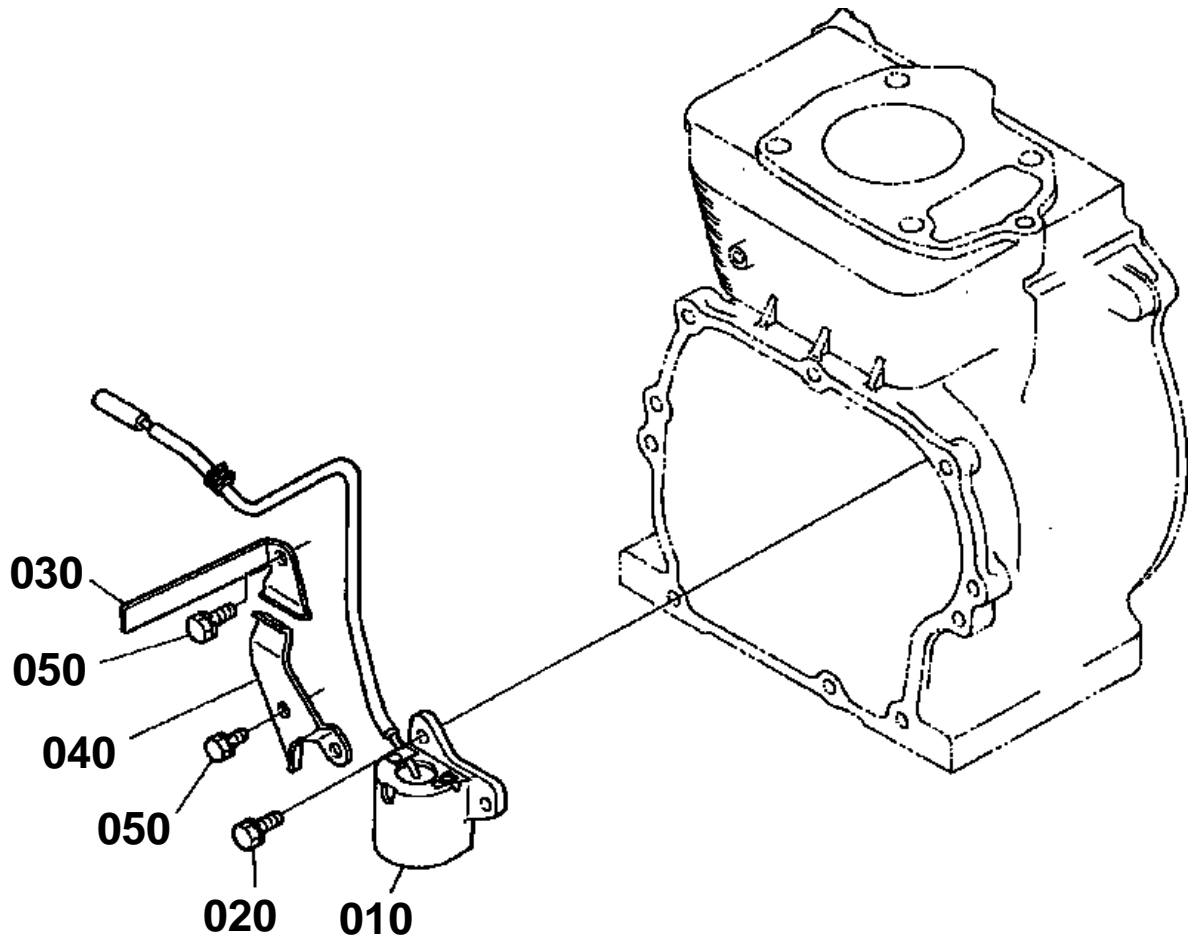


12004-801-10

**FLYWHEEL AND MAGNETO**

↔ Interchangeable; ≠ not interchangeable; ← new for old; → old for new

REF.No	Part No.	Description	Q'ty	S.No.	I/C	REMARKS	Weight (kgf)	Weight (lb)
010	12647-67710	SPARK PLUG	1				0.05	0.11
020	12807-67720	CAP SPARK PLUG	1				0.03	0.066
030	99999-99999	BLANK	0				0	0
040	12004-67030	COMP.FLYWHEEL	1	≤TM0030			4	8.8
040	12622-67040	COMP.FLYWHEEL	1	≥VA0001	≠		0	0
040	12622-67042	COMP.FLYWHEEL	1	≥WG0001	←		3.9	8.58
050	12009-67050	IGNITER	1				0.25	0.55
060	13801-91120	BOLT	2				0.007	0.0154
070	12331-95230	KEY WOODRUFF	1				0.01	0.022
080	12331-67350	NUT FLYWHEEL	1				0.03	0.066
090	12622-68020	FAN RH	1	≥VA0001			0.19	0.418
090	12622-68023	FAN RH	1	≥WG0001	≠		0.19	0.418



12609-049-10

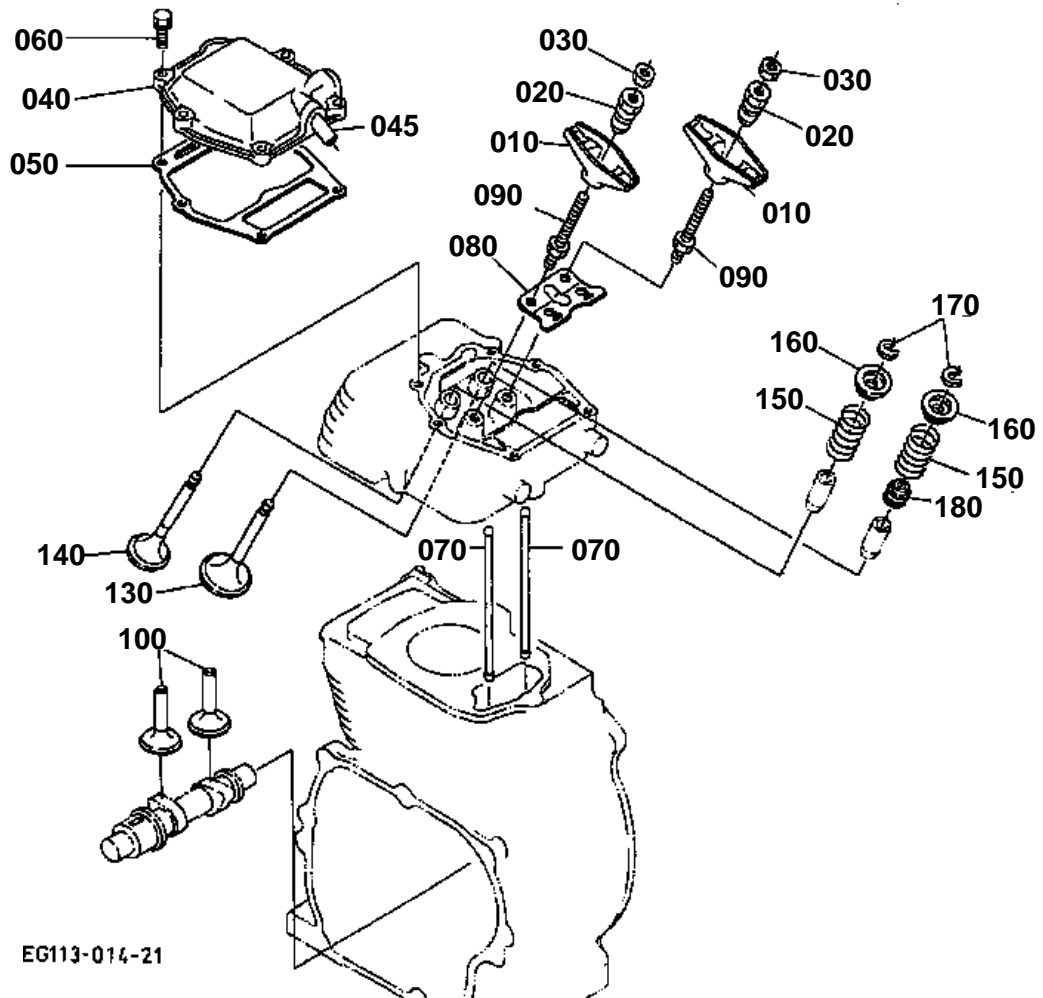


OIL WATCH

↔ Interchangeable; ≠ not interchangeable; ← new for old; → old for new

REF.No	Part No.	Description	Q'ty	S.No.	I/C	REMARKS	Weight (kgf)	Weight (lb)
010	12627-39510	COMP OIL WATCH	1				0.06	0.132
020	01202-50614	BOLT	2				0.006	0.0132
030	12627-39552	RETAINER CODE	1				0.01	0.022
040	12627-39562	RETAINER CODE	1				0.01	0.022
050	01202-50610	BOLT	2				0.004	0.0088

VALVE AND ROCKER ARM



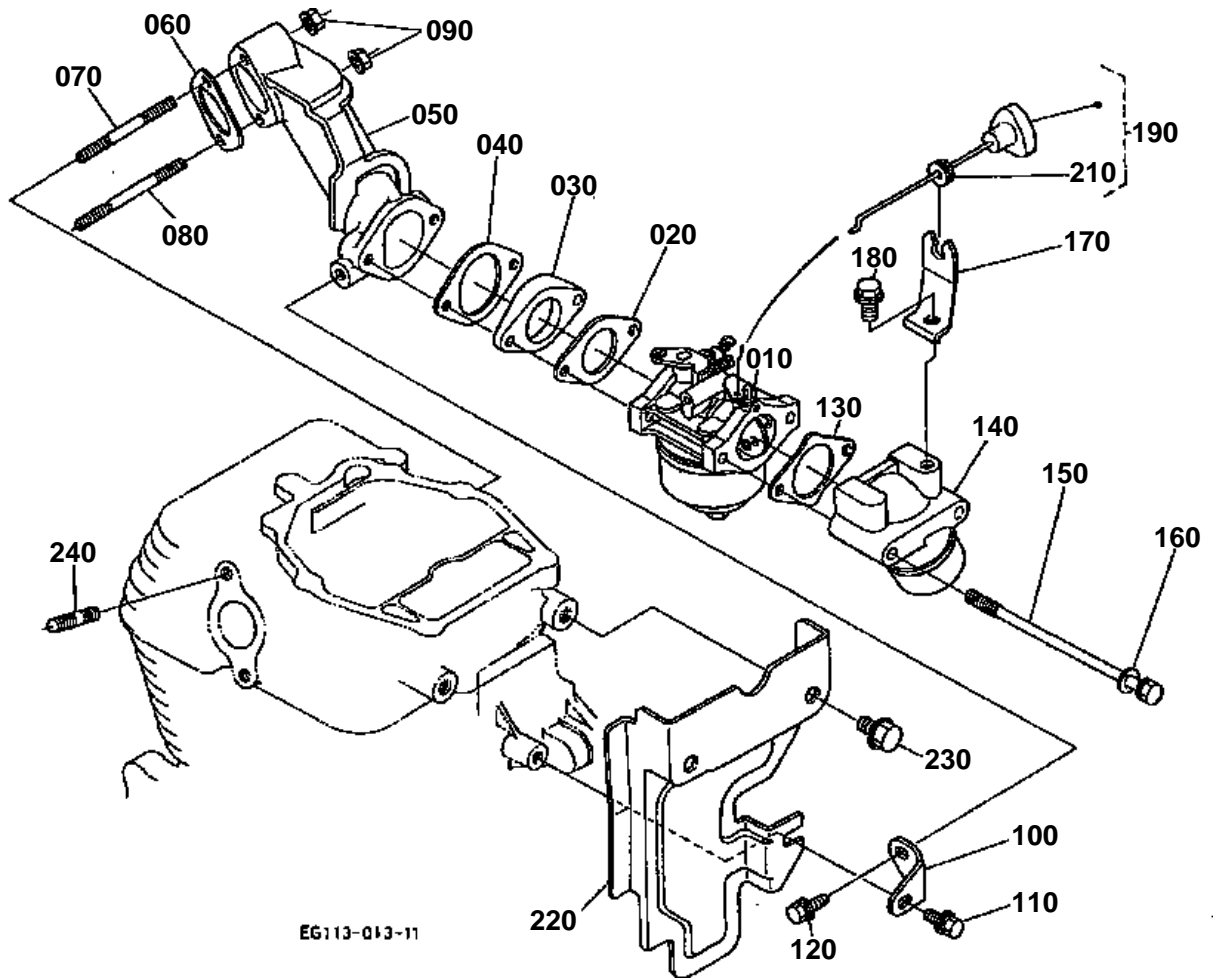


VALVE AND ROCKER ARM

↔ Interchangeable; ≠ not interchangeable; ← new for old; → old for new

REF.No	Part No.	Description	Q'ty	S.No.	I/C	REMARKS	Weight (kgf)	Weight (lb)
010	12627-14110	ARM ROCKER	2				0.017	0.0374
020	12621-14230	NUT ADJUSTING	2				0.016	0.0352
030	15261-14240	NUT	2				0.002	0.0044
040	12627-14500	COMP COVER CYL.HEAD	1				0.2	0.44
045	12181-05550	JOINT BREATHER TUBE	1				0.005	0.011
050	12627-14520	GASKET HEAD COVER	1				0.015	0.033
060	01202-50625	BOLT	6				0.014	0.0308
070	12631-15110	PUSH ROD	2	<=TJ0004			0.015	0.033
070	12621-15110	PUSH ROD	2	>=TL0001	≠	ORDER BY REF.No.070 WITH REF No.080	0.009	0.0198
080	12627-15140	GUIDE PUSH ROD	1	<=TJ0004			0	0
080	12627-15142	GUIDE PUSH ROD	1	>=TL0001	≠	ORDER BY REF.No.080 WITH REF No.070	0.018	0.0396
090	12627-91010	BOLT	2				0.02	0.044
100	12627-15550	TAPPET	2				0.03	0.066
110	99999-99999	BLANK	0				0	0
120	99999-99999	BLANK	0				0	0
130	12627-13110	VALVE INTAKE	1	<=TL0030			0	0
130	12622-13110	VALVE INTAKE	1	>=TM0001	←		0.04	0.088
140	12628-13122	VALVE EXHAUST	1				0.04	0.088
150	12627-13240	SPRING VALVE	2				0.02	0.044
160	12627-13330	RETAINER VALVE SP.	2				0.01	0.022
170	12627-13360	COTTER	2				0.015	0.033
180	E4191-13150	SEAL VALVE STEM	1	>=G04243			0	0

INTAKE ELBOW

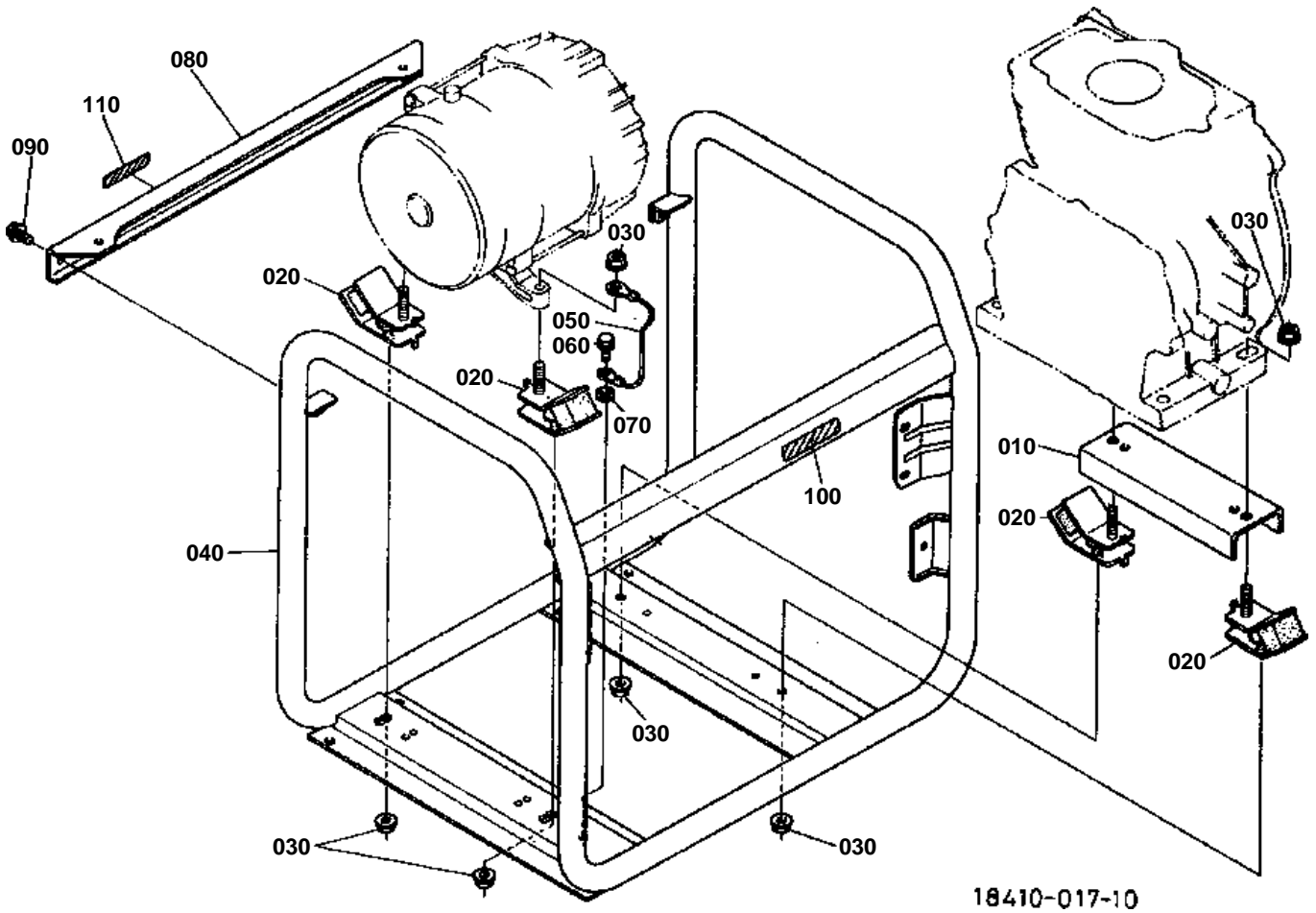


**INTAKE ELBOW**

↔ Interchangeable; ≠ not interchangeable; ← new for old; → old for new

REF.No	Part No.	Description	Q'ty	S.No.	I/C	REMARKS	Weight (kgf)	Weight (lb)
010	EG174-44010	ASSY CARBURETTOR	1				0.24	0.528
020	12627-46110	GASKET CARBURETTOR	1	<=VB0010			0	0
020	E3511-46110	GASKET CARBURETTOR	1	>=VC0001	←		0.008	0.0176
030	12627-46150	INSULATOR	1				0.005	0.011
040	12627-46160	GASKET INSULATOR	1	<=VB0010			0	0
040	12621-46160	GASKET INSULATOR	1	>=VC0001	←		0.006	0.0132
050	12628-11810	ELBOW INTAKE	1				0.24	0.528
060	12627-11820	GASKET INTAKE ELBOW	1				0.003	0.0066
070	12627-91510	STUD	1				0.02	0.044
080	12627-91520	STUD	1				0.02	0.044
090	02751-50080	NUT FLANGE	2				0.006	0.0132
100	12643-11790	STAY INTAKE ELBOW	1				0.01	0.022
110	13901-91020	BOLT	1				0.005	0.011
120	01025-50614	BOLT	1				0.005	0.011
130	12627-11510	GASKET A/C NA	1				0.005	0.011
140	12004-11920	ELBOW AIR CLEANER	1				0.093	0.2046
150	12004-91010	BOLT	2				0.03	0.066
160	04013-60060	WASHER PLAIN	2				0.001	0.0022
170	18430-57832	SUPPORT CHOKE ROD	1				0.015	0.033
180	01754-50612	BOLT FLANGE	1				0.005	0.011
190	12314-57800	ASSY ROD CHOKE	1				0.008	0.0176
200	99999-99999	BLANK	0				0	0
210	13661-57820	CUSHION CHOKE ROD	1				0.002	0.0044
220	12004-74460	COWLING	1				0.13	0.286
230	01754-50812	BOLT FLANGE	2				0.01	0.022
240	13951-91550	STUD	2				0.01	0.022

FRAME

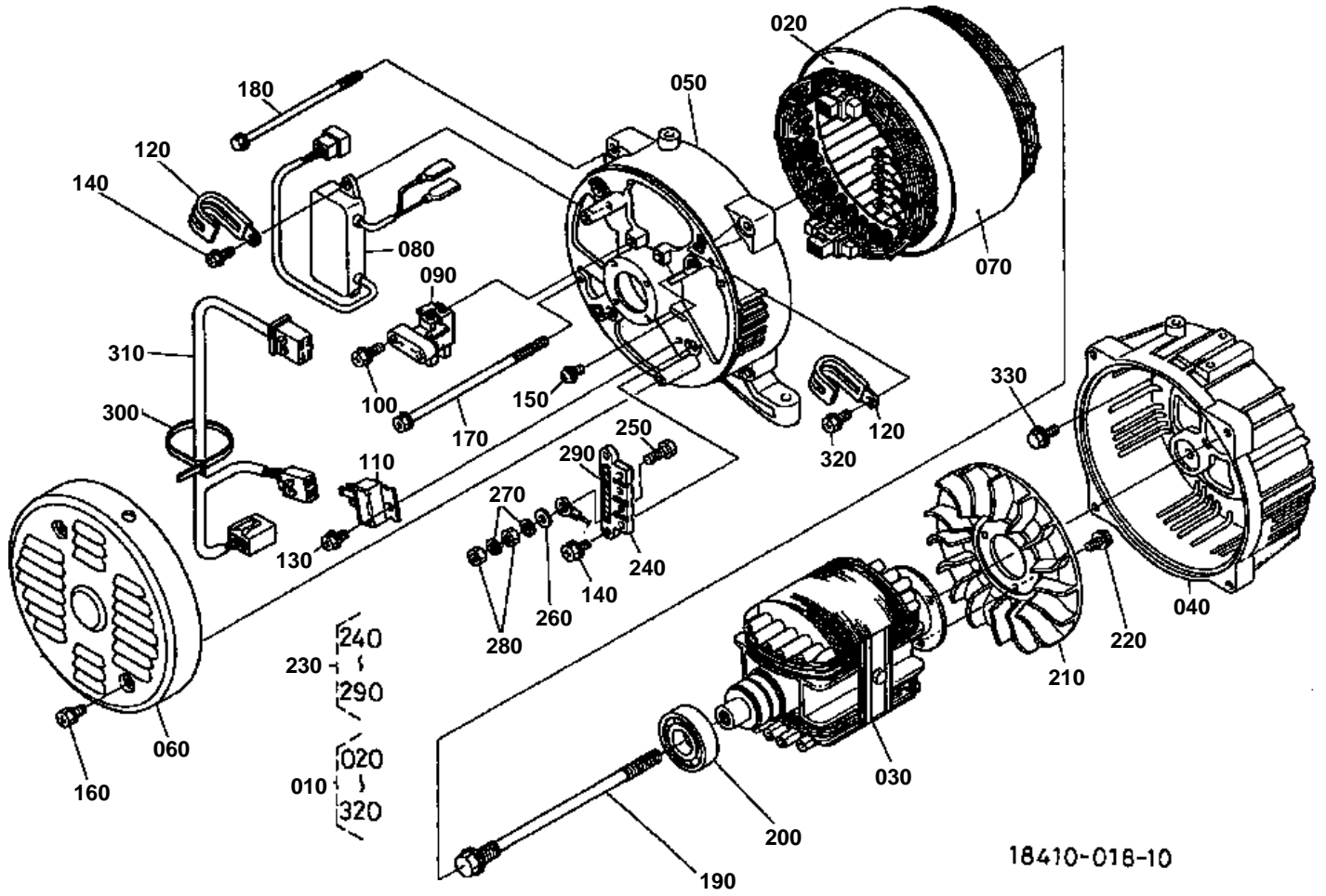


**FRAME**

↔ Interchangeable; ≠ not interchangeable; ← new for old; → old for new

Part No.	Description	Q'ty	S.No.	I/C	REMARKS	Weight (kgf)	Weight (lb)
18450-01250	BASE ENGINE	1				0.6	1.32
18450-01410	CUSHION	4				0.23	0.506
02771-60100	NUT FLANGE	8				0.01	0.022
18450-01010	COMP FRAME PIPE	1				8.7	19.14
18450-04450	CORD	1				0.017	0.0374
01754-50812	BOLT FLANGE	1				0.01	0.022
04412-50080	WASHER TOOTHED	1				0.001	0.0022
18450-01050	BRACKET TANK	1				0.6	1.32
01754-50812	BOLT FLANGE	2				0.01	0.022
18430-88760	LABEL CAUTION	1				0.001	0.0022
18620-88060	LABEL HI-TEMP	1				0.005	0.011

GENERATOR

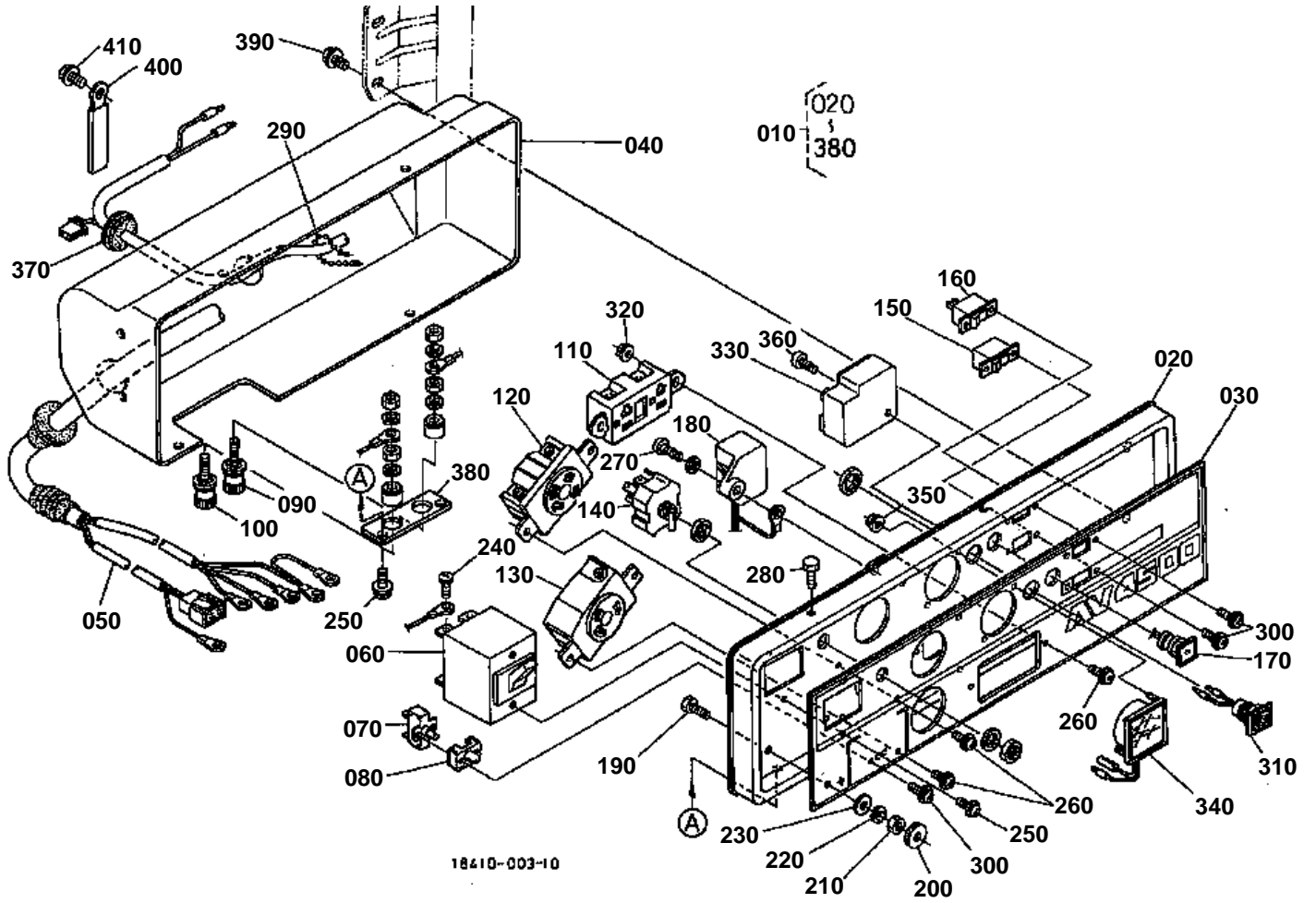


**GENERATOR**

↔ Interchangeable; ≠ not interchangeable; ← new for old; → old for new

REF.No	Part No.	Description	Q'ty	S.No.	I/C	REMARKS	Weight (kgf)	Weight (lb)
010	18470-02100	ASSY GENERATOR	1				24.3	53.46
020	18470-02410	ASSY STATOR	1				13.1	28.82
030	18470-02300	ASSY ROTOR	1				9	19.8
040	18440-02210	BRACKET FRONT	1				0.93	2.046
050	18420-02610	BRACKET REAR	1				1.03	2.266
060	18420-02550	COVER CLEANER AV	1				0.3	0.66
070	18470-02510	BAND COVER	1				0.24	0.528
080	18440-02800	ASSY CONTROL	1				0.15	0.33
090	18715-02700	ASSY HOLDER BRUSH	1				0.03	0.066
100	18715-94020	SCREW TAPPING	1				0.01	0.022
110	18714-02660	DIODE	1				0.01	0.022
120	18103-02850	PLATE	2				0.005	0.011
130	18901-15780	SCREW	2				0.04	0.088
140	18609-02940	BOLT	7				0.005	0.011
150	18705-02890	SCREW	1				0.003	0.0066
160	17637-91030	BOLT	2				0.005	0.011
170	18470-91030	BOLT	2				0.02	0.044
180	18470-91020	BOLT	4				0.02	0.044
190	18470-02350	BOLT	1				0.11	0.242
200	18803-10560	BEARING	1				0.103	0.2266
210	18715-02320	FAN	1				0.34	0.748
220	18609-02940	BOLT	3				0.005	0.011
230	18450-02900	ASSY BASE	1				0.05	0.11
240	18431-02600	BASE	1				0.02	0.044
250	18103-91090	BOLT	4				0.005	0.011
260	18450-94010	WASHER.PLAIN	4				0.002	0.0044
270	18659-94070	WASHER SPRING	8				0.001	0.0022
280	18103-92090	NUT	8				0.005	0.011
290	18420-03970	MARK	1				0.001	0.0022
300	18741-11130	FASTENER	1				0.002	0.0044
310	18490-60160	ASSY COUPLER	1				0.05	0.11
320	18801-20240	BOLT	1				0.004	0.0088
330	01754-50820	BOLT FLANGE	4				0.015	0.033

CONTROL BOX



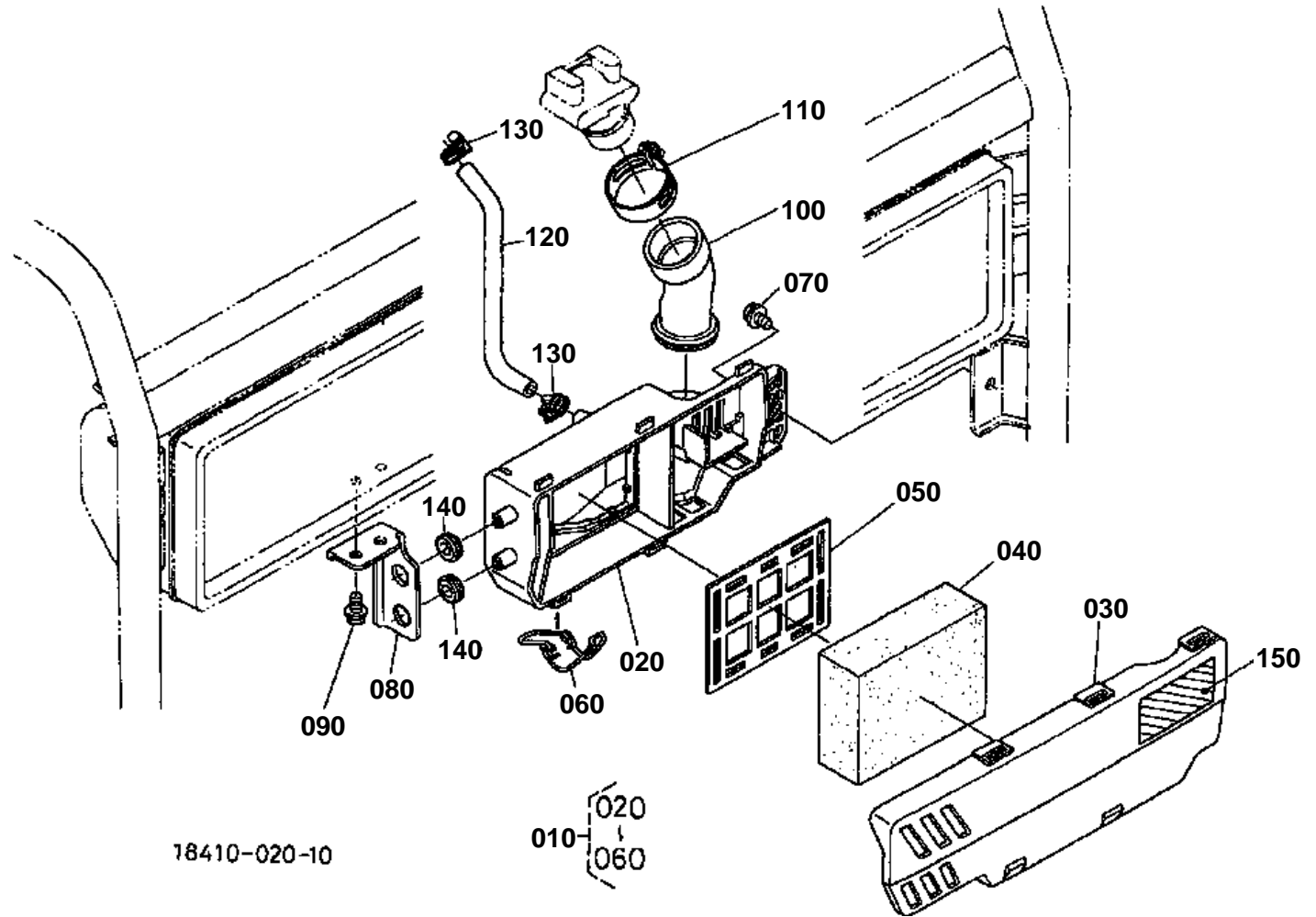


CONTROL BOX

↔ Interchangeable; ≠ not interchangeable; ← new for old; → old for new

REF.No	Part No.	Description	Q'ty	S.No.	I/C	REMARKS	Weight (kgf)	Weight (lb)
010	18470-03102	ASSY PANEL AV	1				2.81	6.182
020	18420-03202	PANEL CONTROL	1				0.6	1.32
030	18470-03212	NAME PLATE AV	1				0.05	0.11
040	18410-03010	COVER BACK	1				3.4	7.48
050	18450-03802	ASSY WIRE HARNESS AV	1				0.53	1.166
060	18470-03510	BREAKER AC	1				0.28	0.616
070	18535-04530	BREAKER CIR-CUIT	1				0.012	0.0264
080	18603-03330	CAP	1				0.001	0.0022
090	18410-20550	ASSY TERMINAL DC	1				0.02	0.044
100	18410-20560	ASSY TERMINAL DC	1				0.02	0.044
110	18510-03250	RECEPTACLE GFCI-R	1				0.125	0.275
120	18450-03440	RECEPTACLE (A)	1				0.1	0.22
130	18450-03430	RECEPTACLE (A)	1				0.1	0.22
140	18461-03890	SWITCH VOLT-CHANGE	1				0.04	0.088
150	18410-03890	ASSY SWITCH ENG.STOP	1				0.015	0.033
160	18450-03890	ASSY SWITCH IDLE	1				0.018	0.0396
170	18410-39610	ASSY LAMP OIL	1				0.01	0.022
180	18410-67150	OIL WATCH UNIT	1				0.052	0.1144
190	18103-91040	BOLT	1				0.002	0.0044
200	18103-92750	NUT	1				0.008	0.0176
210	02012-80060	NUT	1				0.01	0.022
220	04512-80060	WASHER SPRING	1				0.001	0.0022
230	04012-50060	WASHER PLAIN	1				0.001	0.0022
240	18813-04390	SCREW	4				0.003	0.0066
250	18410-20920	SCREW BREAKER	4				0.005	0.011
260	18441-02280	SCREW	6				0.001	0.0022
270	18913-15830	BOLT	1				0.021	0.0462
280	18801-20240	BOLT	4				0.004	0.0088
290	18741-11130	FASTENER	5				0.002	0.0044
300	18410-20940	SCREW	6				0.003	0.0066
310	18410-03410	ASSY LAMP PILOT	1				0.02	0.044
320	18702-04470	NUT	2				0.002	0.0044
330	18450-03780	ASSY CONTROL S-DOWN	1				0.11	0.242
340	18450-03550	METER	1				0.03	0.066
350	18410-05500	NUT	2				0.005	0.011
360	03024-50512	SCREW WITH WASHER	1				0.003	0.0066
370	18400-20150	GROMMET	1				0.008	0.0176
380	18490-20030	PLATE	1				0.01	0.022
390	01754-50612	BOLT FLANGE	4				0.005	0.011
400	13824-67580	CLAMP CORD	1				0.006	0.0132
410	01754-50812	BOLT FLANGE	1				0.01	0.022

AIR CLEANER

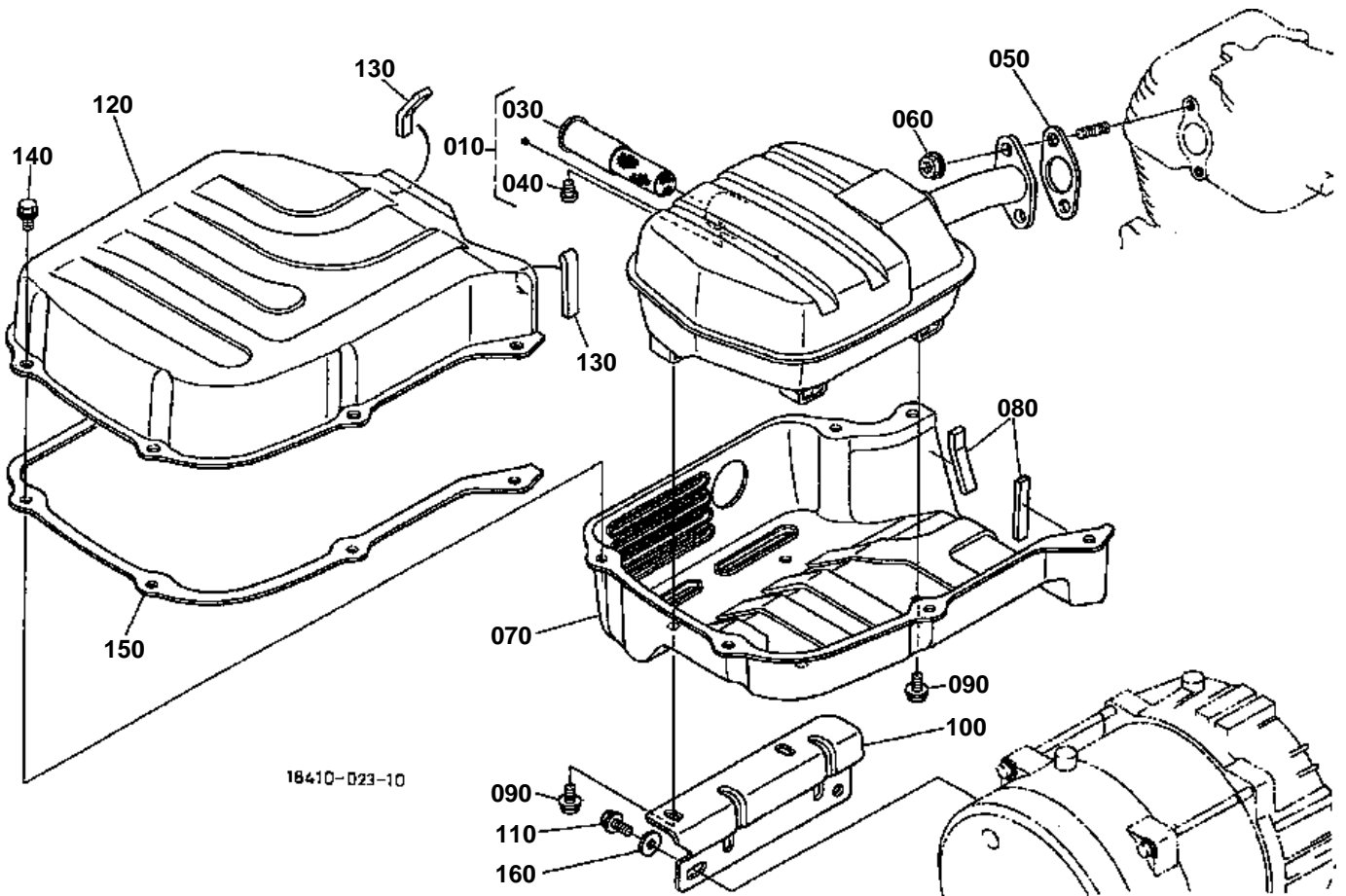


**AIR CLEANER**

↔ Interchangeable; ≠ not interchangeable; ← new for old; → old for new

REF.No	Part No.	Description	Q'ty	S.No.	I/C	REMARKS	Weight (kgf)	Weight (lb)
010	18430-11012	ASSY CLEANER AIR	1	≤773981			0	0
010	18430-11013	ASSY CLEANER AIR	1	≥773982	←		0.39	0.858
020	18430-11152	COMP.BODY	1	≤773981			0	0
020	18430-11153	COMP.BODY	1	≥773982	←		0.22	0.484
030	18430-11160	COVER	1				0.13	0.286
040	18430-11082	ELEMENT AIR CLEANER	1				0.012	0.0264
050	18430-11380	CLEANER AIR	1				0.02	0.044
060	18430-11130	ASSY FASTENER	2				0.008	0.0176
070	01754-50612	BOLT FLANGE	1				0.005	0.011
080	18430-11570	STAY AIR CLEANER	1				0.07	0.154
090	01754-50608	BOLT FLANGE	2				0.005	0.011
100	18450-11620	PIPE AIR CLEANER	1				0.05	0.11
110	13382-72860	BAND PIPE	1				0.03	0.066
120	18450-05510	PIPE BREATHER	1				0.018	0.0396
130	09318-88125	CLAMP HOSE	2				0.001	0.0022
140	17607-02950	GROMMET	2				0.003	0.0066
150	18430-88450	LABEL A/C	1				0.003	0.0066

MUFFLER

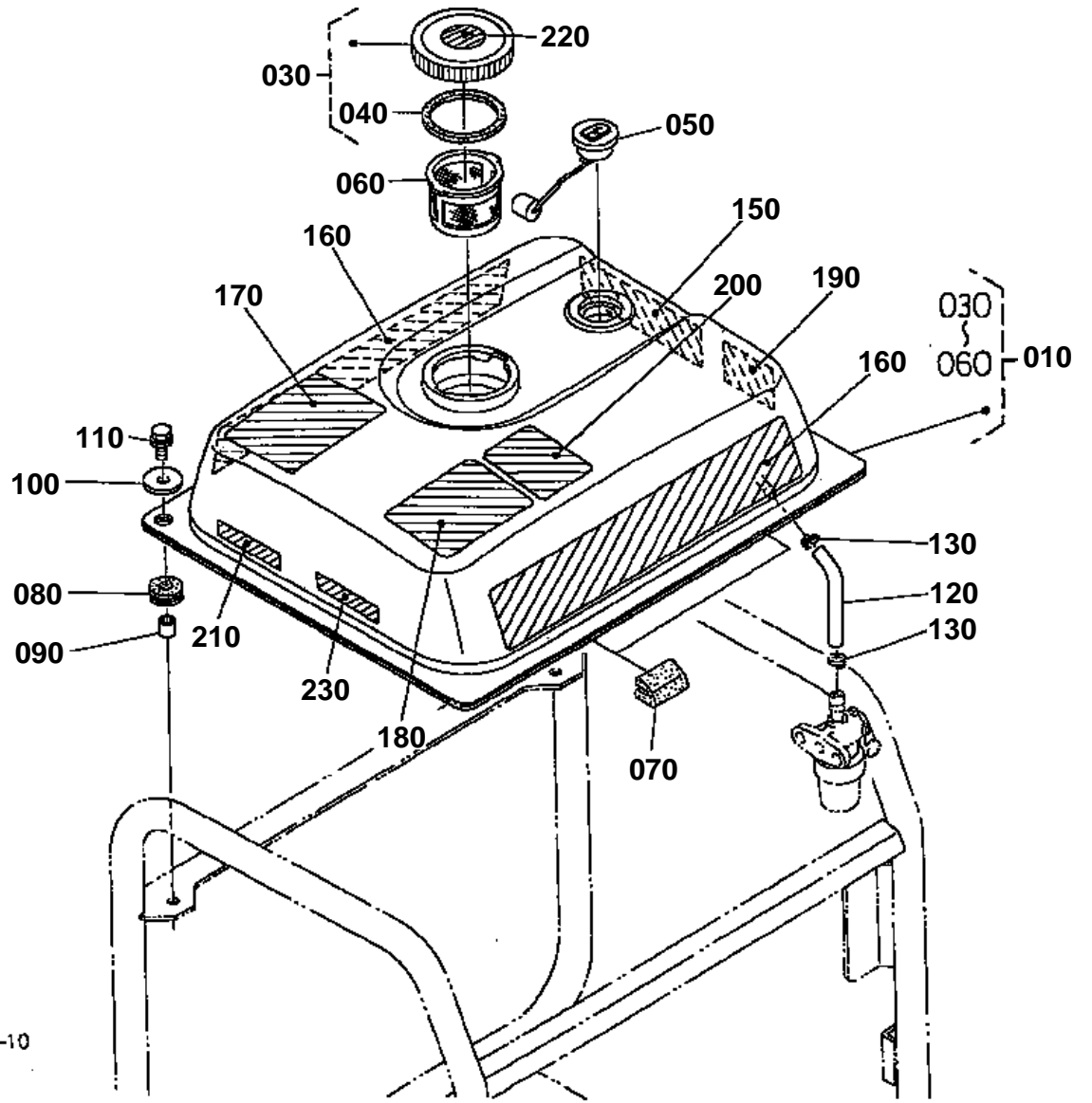


**MUFFLER**

↔ Interchangeable; ≠ not interchangeable; ← new for old; → old for new

REF.No	Part No.	Description	Q'ty	S.No.	I/C	REMARKS	Weight (kgf)	Weight (lb)
010	18470-12010	ASSY MUFFLER AVUSDA	1				2.45	5.39
020	99999-99999	BLANK	0				0	0
030	18430-12580	COMP PIPE SPARKAREST	1				0.054	0.1188
040	03054-50508	SCREW PAN-HEAD	1				0.002	0.0044
050	12627-12230	GASKET MUFFLER	1				0.02	0.044
060	02751-50080	NUT FLANGE	2				0.006	0.0132
070	18440-12450	COVER MUFFLER	1				0.9	1.98
080	18430-12560	CUSHION MUFFLER.C	2				0.01	0.022
090	01754-50612	BOLT FLANGE	4				0.005	0.011
100	18470-12510	STAY MUFFLER AV	1				0.46	1.012
110	01754-50614	BOLT FLANGE	2				0.005	0.011
120	18470-12712	COVER MUFFLER	1				0.73	1.606
130	18430-12560	CUSHION MUFFLER.C	2				0.01	0.022
140	01754-50612	BOLT FLANGE	8				0.005	0.011
150	18450-12590	PACKING M/COVER	1				0.04	0.088
160	04015-60060	WASHER PLAIN	1				0.005	0.011

FUEL TANK



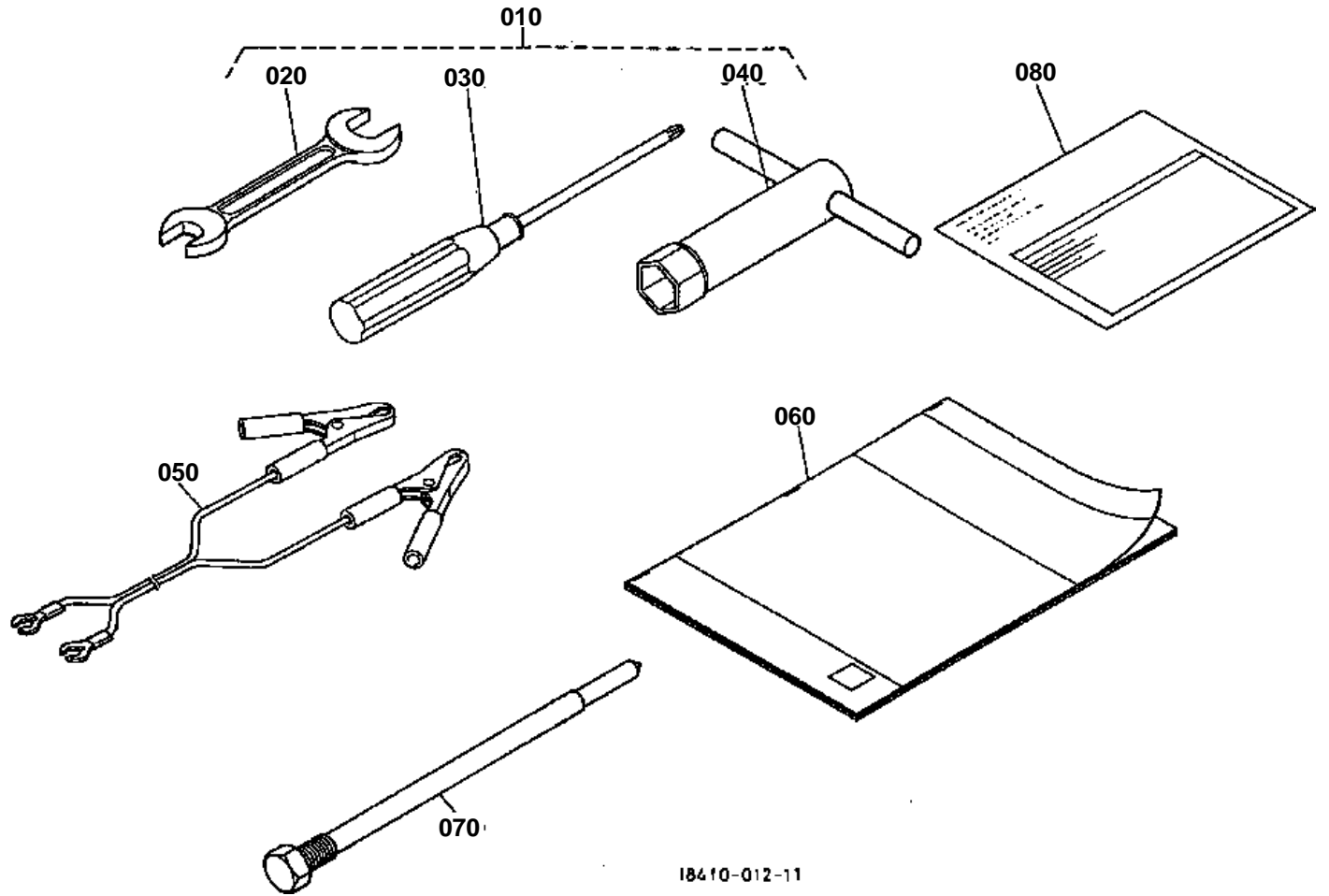
18410-011-10

**FUEL TANK**

↔ Interchangeable; ≠ not interchangeable; ← new for old; → old for new

REF.No	Part No.	Description	Q'ty	S.No.	I/C	REMARKS	Weight (kgf)	Weight (lb)
010	18450-41010	ASSY TANK FUEL	1				5.3	11.66
020	99999-99999	BLANK	0				0	0
030	12521-41030	ASSY CAP FUEL TANK	1				0.13	0.286
040	12521-41340	GASKET TANK CAP	1				0.005	0.011
050	18400-41700	ASSY GAUGE F/LEVEL	1				0.016	0.0352
060	13871-41350	FILTER	1				0.014	0.0308
070	18430-41190	RUBBER FUEL TANK	2				0.02	0.044
080	17607-02950	GROMMET	2				0.003	0.0066
090	17607-03520	COLLAR	2				0.005	0.011
100	04015-60060	WASHER PLAIN	2				0.005	0.011
110	01754-50625	BOLT FLANGE	2				0.008	0.0176
120	09664-60085	TUBE FUEL	1				0.006	0.0132
130	12632-42360	CLIP	2				0.001	0.0022
140	99999-99999	BLANK	0				0	0
150	18470-88113	NAME PLATE AVE	1				0	0
160	18470-87160	MARK KUBOTA	2				0.002	0.0044
170	18600-87850	LABEL OPERATION	1	<=780692			0	0
170	18600-87852	LABEL OPERATION	1	>=780693	←		0.002	0.0044
180	18620-88242	LABEL SAFETY	1				0.002	0.0044
190	18430-88280	LABEL CHOKE COCK	1				0.002	0.0044
200	18620-50060	LABEL	1				0.005	0.011
210	18430-87960	NAME PLATE SERIAL	1				0.003	0.0066
220	62425-47490	LABEL FUEL	1				0.003	0.0066
230	18620-88060	LABEL HI-TEMP	1				0.005	0.011

TOOLS



18410-012-11



TOOLS

↔ Interchangeable; ≠ not interchangeable; ← new for old; → old for new

REF.No	Part No.	Description	Q'ty	S.No.	I/C	REMARKS	Weight (kgf)	Weight (lb)
010	18430-86010 07012-11417 07115-56143 18430-86210 18609-07010 18430-89116 18450-10012 18510-87220	ASSY TOOLS					0.33 0.084 0.04 0.09 0.1 0.021 0.005 0.001	