

# Instructions for Parts Books

The heading at the top of the page will be the same for the picture of the parts as it is for the page with the part numbers.

Definition of column headings on part number pages:

**REF.No** → The number referring to the part on the picture page of the parts book.

**Part No.** → The number assigned to this part at the time of printing the parts book.

**Description** → Description of part.

**Q'ty** → Quantity of part used on that page.

**S.No.** → Serial number range of the equipment that this part will fit.

>= Your serial number should be greater than or equal to the number shown.

<= Your serial number should be lesser than or equal to the serial number shown.

**I/C** → Interchangeability of part shown.

↔ The part shown will work for the older and later serial number.

# The part shown is not interchangeable with the other serial number.

← new for old

→ old for new

**Remarks** → Notes about this particular part. Sometimes this may say except [FR] or [CA]

## Note about Country Codes:

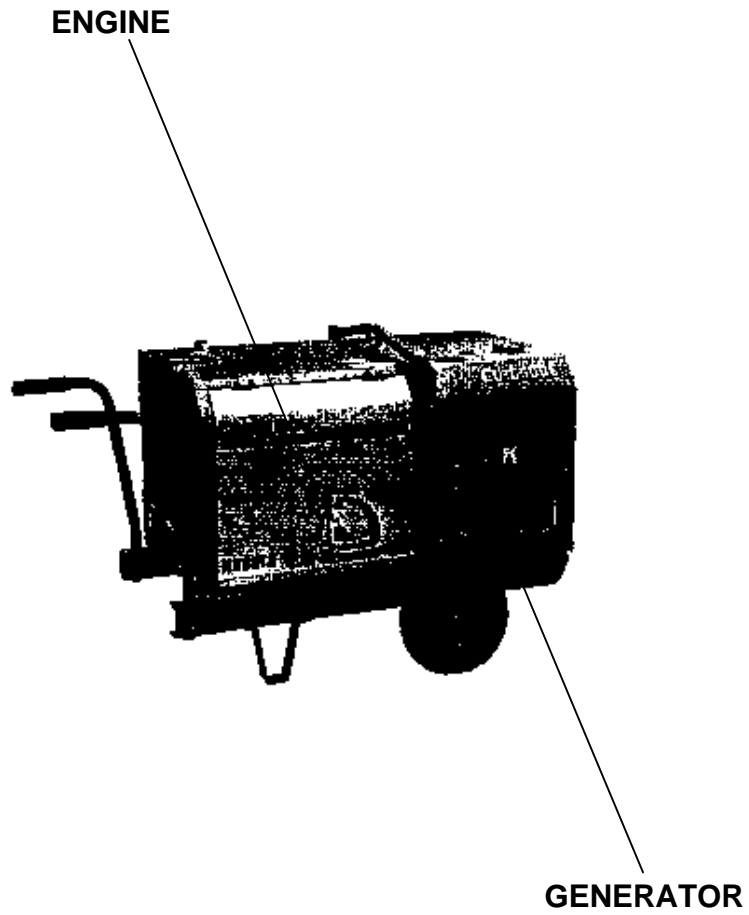
The parts books we use in the United States of America may also contain information about a part that would be different in another country. It is important that you are aware of the country codes in some instances.

Symbol	Country
A	United States of America
CA	Canada
FR	France
GR	Greece
PO	Portugal
AU	Australia

If the remarks column says for example EXCEPT [FR] this part works in all countries except France. That means it will work here in the USA.

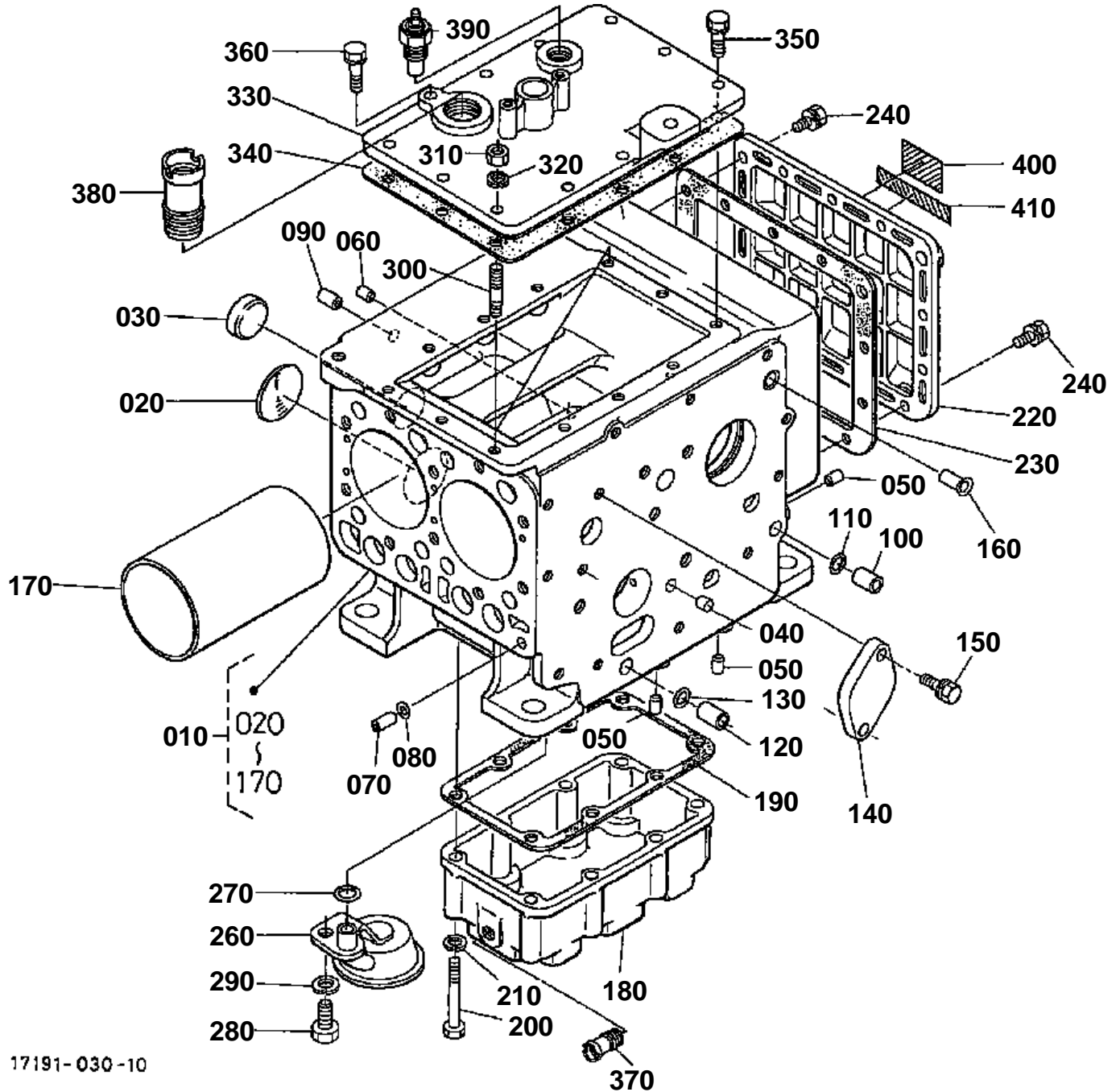
ALL PRODUCT INDEX  
GL-6500S

---



Item	Part No.	Description	Book
ENGINE	03A001	CRANKCASE	100K0699
	03A002	MAIN BEARING CASE	100K0699
	03A003	CYLINDER HEAD	100K0699
	03A004	MANIFOLD	100K0699
	03A005	VALVE AND ROCKER ARM	100K0699
	03A006	WATER PUMP	100K0699
	03A007	GEAR CASE	100K0699
	03A008	BREATHER	100K0699
	03A009	CAMSHAFT	100K0699
	03A010	PISTON AND CRANKSHAFT	100K0699
	03A011	FLYWHEEL AND STARTER	100K0699
	03A012	STARTER [COMPONENT PARTS]	100K0699
	03A013	INJECTION PUMP	100K0699
	03A014	INJECTION PUMP [COMPONENT PARTS]	100K0699
	03A015	NOZZLE HOLDER	100K0699
	03A016	GAVERNOR	100K0699
GENERATOR	01A017	ENGINE BASE	100K0699
	01A018	BONNET (FRONT)	100K0699
	01A019	BONNET (REAR)	100K0699
	01A020	RUBBER PAD	100K0699
	01A021	AIR CLEANER	100K0699
	01A021-1	AIR CLEANER	100K0699
	01A022	MUFFLER	100K0699
	01A023	DRAIN PIPE	100K0699
	01A024	FUEL FILTER	100K0699
	01A025	SOLENOID	100K0699
	01A026	BATTERY	100K0699
	01A027	RESERVE TANK	100K0699
	01A028	RADIATOR	100K0699
	01A029	COOLING FAN	100K0699
	01A030	GENERATOR	100K0699
	01A031	CONTROL PANEL	100K0699
	01A032	EMERGENCY UNIT	100K0699
	01A033	LABEL	100K0699
	01A034	DOLLY	100K0699
01A035	ACCESSORIES	100K0699	

CRANKCASE



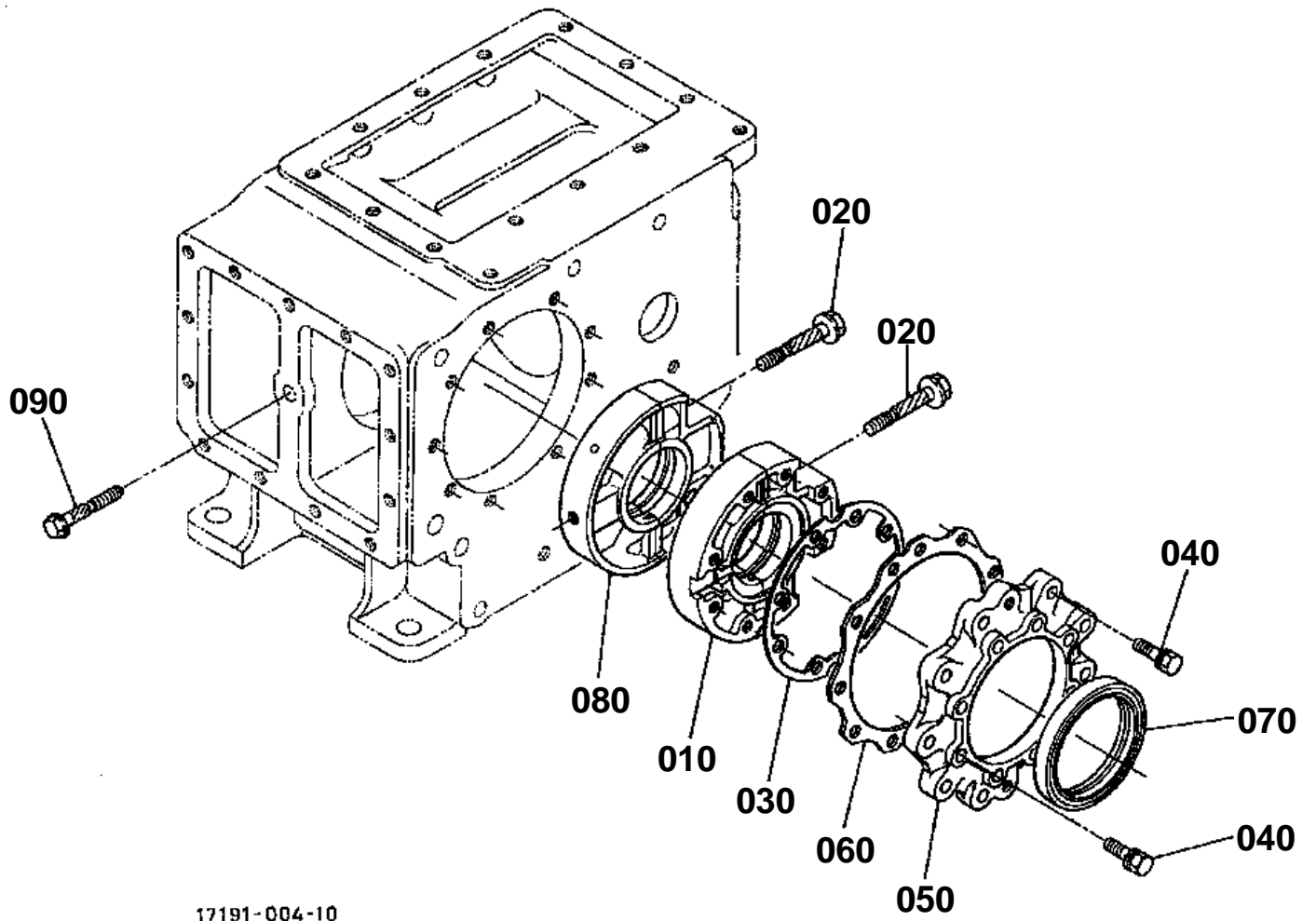
17191-030-10

**CRANKCASE**

↔ Interchangeable; ≠ not interchangeable; ← new for old; → old for new

REF.No	Part No.	Description	Q'ty	S.No.	I/C	REMARKS	Weight (kgf)	Weight (lb)
010	15903-01010	COMP.CRANKCASE	1				20.07	44.154
020	06311-75040	PLUG EXPANSION	1				0.02	0.044
030	15321-96260	CAP SEALING	1				0.014	0.0308
040	15901-33630	PLUG	1				0.001	0.0022
050	15221-33630	PLUG PIN	5				0.001	0.0022
060	14301-33630	PLUG PIN	1				0.001	0.0022
070	15221-33650	PIN PIPE	1				0.004	0.0088
080	15221-33700	O RING	1				0.001	0.0022
090	15231-33960	PIN PIPE	2				0.001	0.0022
100	12631-94930	PIN PIPE	1				0.003	0.0066
110	04811-10100	O RING	1				0.001	0.0022
120	15271-33950	PIN PIPE	1				0.003	0.0066
130	04811-10120	O RING	1				0.001	0.0022
140	15261-73910	COVER WATER	1				0.13	0.286
150	01023-50618	BOLT	2				0.006	0.0132
160	15271-05760	PIPE BREATHER INLET	1				0.004	0.0088
170	15901-02310	LINER CYLINDER	2				0.398	0.8756
180	14384-01610	OIL PAN	1				0.43	0.946
190	19246-01620	GASKET OIL PAN	1				0.003	0.0066
200	01053-50655	BOLT	8				0.013	0.0286
210	04512-60060	WASHER SPRING	8				0.001	0.0022
220	15271-04710	COVER CRANKCASE	1				0.337	0.7414
230	19246-04720	GASKET CRANKCASE.NA	1				0.007	0.0154
240	01023-50618	BOLT	12				0.006	0.0132
250	99999-99999	BLANK	0				0	0
260	15271-32110	FILTER OIL	1				0.115	0.253
270	04811-00120	O RING	1				0.001	0.0022
280	01153-50818	BOLT	1				0.01	0.022
290	04512-60080	WASHER SPRING	1				0.002	0.0044
300	01513-50618	STUD	2				0.005	0.011
310	02056-50060	NUT	2				0.002	0.0044
320	04512-60060	WASHER SPRING	2				0.001	0.0022
330	14384-72290	COVER WATER	1	<=WQ0049			1.71	3.762
330	1G122-72290	COVER WATER	1	>=WS0001	↔		1.79	3.938
340	14319-72120	GASKET WATER COVER	1				0.017	0.0374
350	01023-50618	BOLT	9				0.006	0.0132
360	01023-50625	BOLT	1				0.007	0.0154
370	15321-73340	PIPE WATER RETURN	1				0.016	0.0352
380	15261-72880	PIPE WATER	1				0.07	0.154
390	15543-83040	SWITCH THERMOMETER	1				0.04	0.088
400	99999-99999	LABEL CARB	1			NOT SALE	0	0
410	1G122-88110	NAME PLATE ENGINE	1				0.001	0.0022

MAIN BEARING CASE



17191-004-10

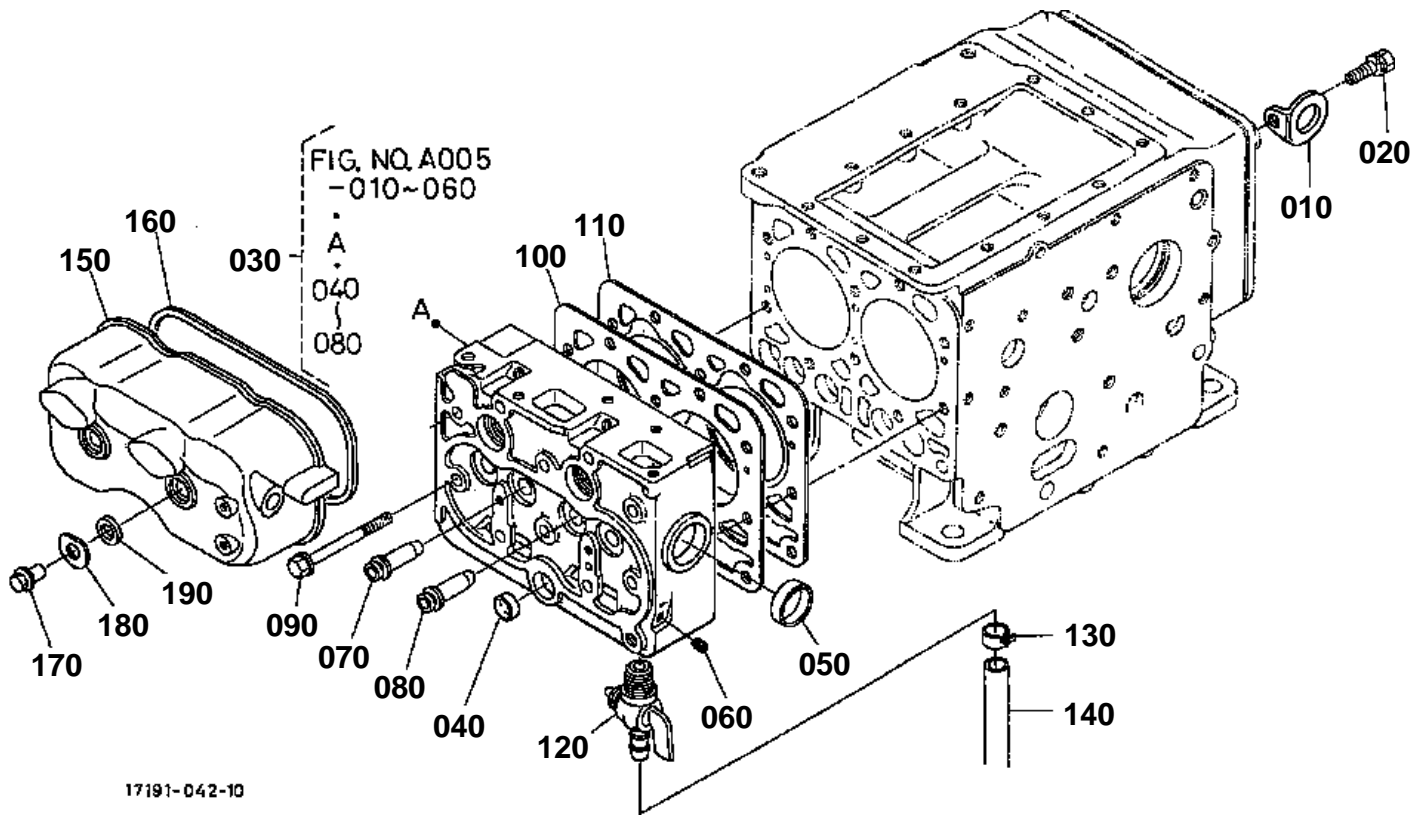


# MAIN BEARING CASE

↔ Interchangeable; ≠ not interchangeable; ← new for old; → old for new

REF.No	Part No.	Description	Q'ty	S.No.	I/C	REMARKS	Weight (kgf)	Weight (lb)
010	15274-04090	ASSY CASE MAIN BRG.	1				0.95	2.09
020	15381-04540	BOLT BEARING CASE	4				0.02	0.044
030	19246-04360	GASKET BRG.CASE	1				0.001	0.0022
040	01023-50625	BOLT	17				0.007	0.0154
050	19215-04810	COVER BEARING CASE	1				0.195	0.429
060	19246-04820	GASKET CASE COVER.NA	1				0.003	0.0066
070	19215-04460	SEAL OIL	1				0.03	0.066
080	15261-04040	ASSY CASE MAIN BRG.	1				0.687	1.5114
090	15381-04560	BOLT BEARING CASE	1				0.02	0.044

CYLINDER HEAD

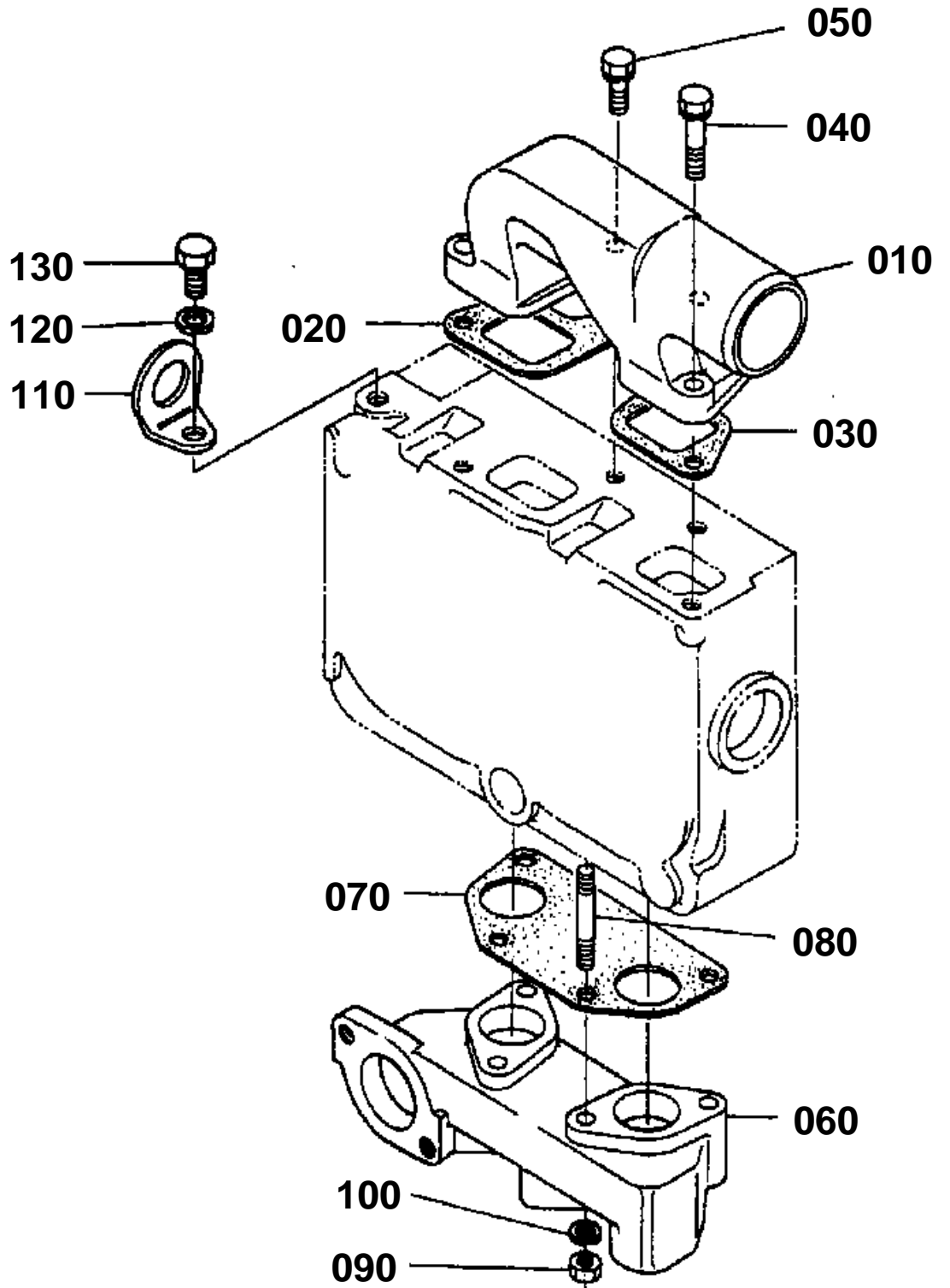




**CYLINDER HEAD**

↔ Interchangeable; ≠ not interchangeable; ← new for old; → old for new

REF.No	Part No.	Description	Q'ty	S.No.	I/C	REMARKS	Weight (kgf)	Weight (lb)
010	15271-01750	HOOK ENGINE	1	<=WQ0049			0.038	0.0836
010	1G122-01750	HOOK ENGINE	1	>=WS0001	↔		0.037	0.0814
020	01123-50828	BOLT	1				0.014	0.0308
030	1G121-03000	ASSY CYLINDER HEAD	1				6.7	14.74
040	15261-03370	CAP SEALING	3				0.005	0.011
050	15321-96260	CAP SEALING	1				0.014	0.0308
060	15261-96010	PLUG	2				0.002	0.0044
070	15261-13540	GUIDE INLET VALVE	2				0.02	0.044
080	15261-13560	GUIDE EXHAUST VALVE	2				0.02	0.044
090	19215-03450	BOLT CYLINDER HEAD	10				0.047	0.1034
100	15944-03310	GASKET CYL.HEAD.NA	1				0.05	0.11
110	15901-03320	SHIM CYL.HEAD GASKET	1				0.025	0.055
120	15000-34390	COCK DRAIN	1				0.078	0.1716
130	14911-42750	CLIP PIPE	1				0.002	0.0044
140	15957-73130	PIPE DRAIN	1				0.01	0.022
150	19215-14510	COVER CYL.HEAD	1				0.56	1.232
160	15261-14520	GASKET HEAD COVER	1				0.003	0.0066
170	15261-14620	NUT HEAD COVER	2				0.014	0.0308
180	15261-14640	WASHER HEAD COVER	2				0.006	0.0132
190	15261-14630	GASKET	2				0.002	0.0044



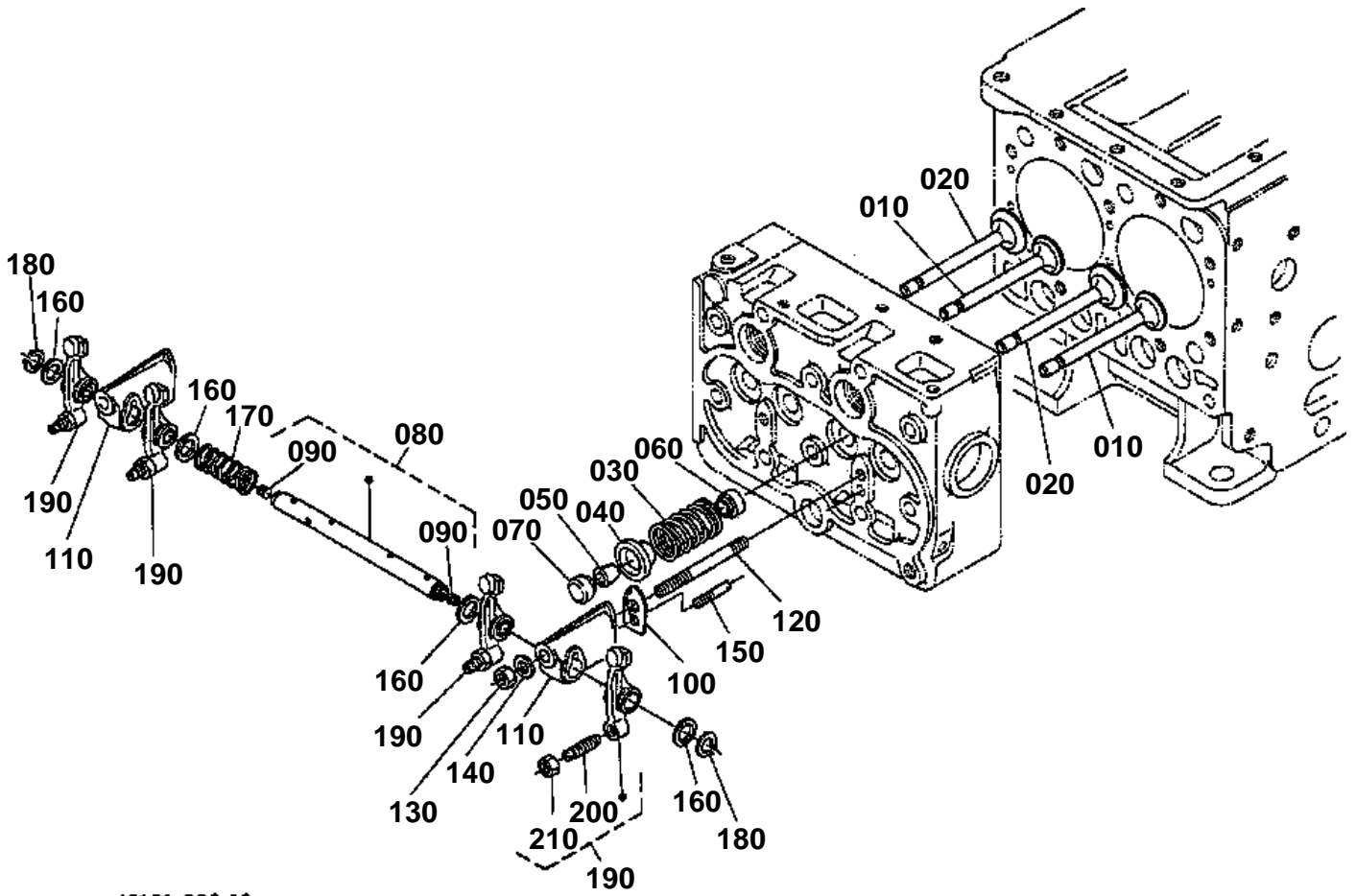
17191-032-20

**MANIFOLD**

↔ Interchangeable; ≠ not interchangeable; ← new for old; → old for new

REF.No	Part No.	Description	Q'ty	S.No.	I/C	REMARKS	Weight (kgf)	Weight (lb)
010	14384-11762	MANIFOLD INLET	1				0.3	0.66
020	15263-11820	GASKET IN-MANIFOLD	1				0.001	0.0022
030	15263-11830	GASKET IN-MANIFOLD	1				0.001	0.0022
040	01023-50622	BOLT	2				0.005	0.011
050	01023-50616	BOLT	2				0.005	0.011
060	14384-12324	MANIFOLD EXHAUST	1				1.01	2.222
070	15263-12350	GASKET EX-MANIFOLD	1				0.011	0.0242
080	15272-91500	STUD	4				0.02	0.044
090	02056-50060	NUT	4				0.002	0.0044
100	04512-60060	WASHER SPRING	4				0.001	0.0022
110	15271-01750	HOOK ENGINE	1	≤WQ0049			0.038	0.0836
110	1G122-01750	HOOK ENGINE	1	≥WS0001	↔		0.037	0.0814
120	04512-60080	WASHER SPRING	1				0.002	0.0044
130	01153-50816	BOLT	1				0.01	0.022

VALVE AND ROCKER ARM



17191-008-10

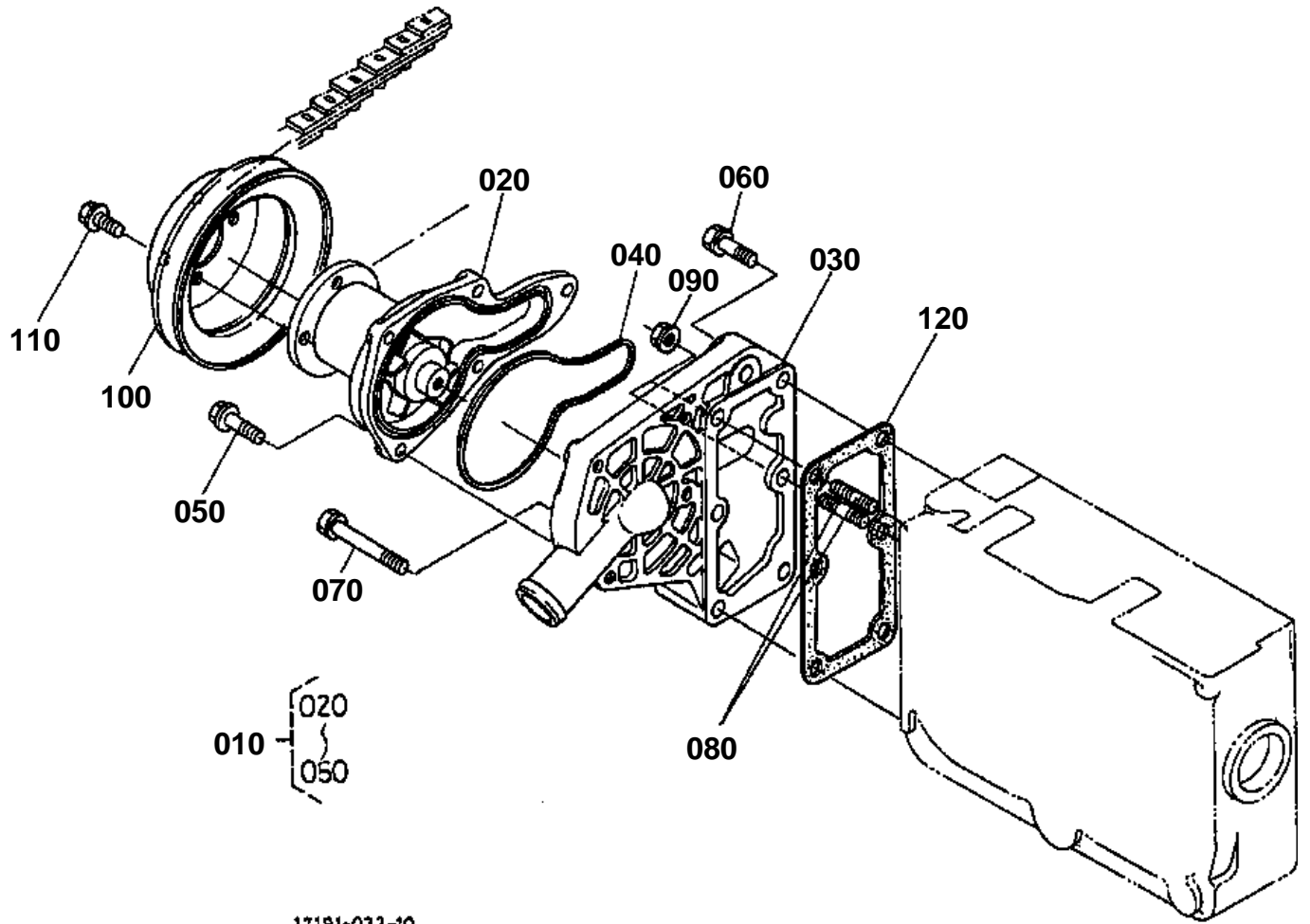


## VALVE AND ROCKER ARM

↔ Interchangeable; ≠ not interchangeable; ← new for old; → old for new

REF.No	Part No.	Description	Q'ty	S.No.	I/C	REMARKS	Weight (kgf)	Weight (lb)
010	15393-13110	VALVE INLET	2				0.048	0.1056
020	15393-13120	VALVE EXHAUST	2				0.048	0.1056
030	15261-13240	SPRING VALVE	4				0.02	0.044
040	16241-13330	RETAINER VALVE SP.	4				0.012	0.0264
050	15261-13360	COLLET VALVE SPRING	4			SET	0.004	0.0088
060	15261-13150	SEAL VALVE STEM	4				0.001	0.0022
070	16241-13280	CAP VALVE	4				0.005	0.011
080	15901-14053	ASSY SHAFT R-ARM	1				0.08	0.176
090	03410-50608	SCREW SET	2				0.001	0.0022
100	15271-04230	GUIDE OIL	2				0.001	0.0022
110	15381-14350	BRACKET ROCKER ARM	2				0.05	0.11
120	15261-14410	STUD	2				0.02	0.044
130	15261-92010	NUT	2				0.005	0.011
140	15261-94010	WASHER PLAIN	2				0.002	0.0044
150	15261-14420	SCREW SET.ROCKER ARM	1				0.002	0.0044
160	15261-14430	WASHER R-ARM.SHAFT	4				0.001	0.0022
170	15261-14310	SPRING ROCKER ARM	1				0.003	0.0066
180	04612-00110	CIR CLIP EXTERNAL	2				0.001	0.0022
190	15271-14030	ASSY ROCKER ARM	4				0.06	0.132
200	15261-14232	SCREW ADJUSTING	4				0.006	0.0132
210	15261-14240	NUT	4				0.002	0.0044

WATER PUMP



17191-033-10

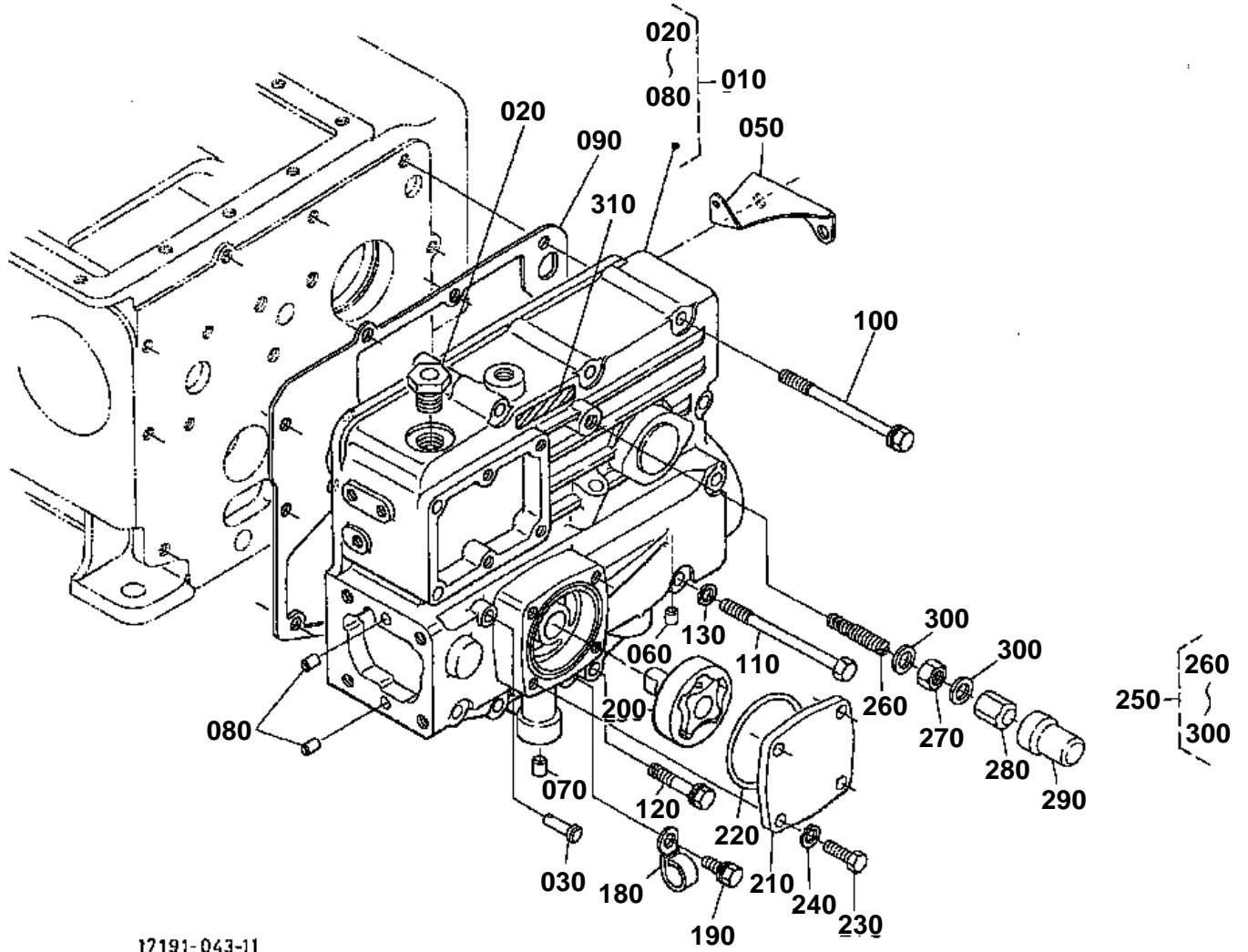


# WATER PUMP

↔ Interchangeable; ≠ not interchangeable; ← new for old; → old for new

REF.No	Part No.	Description	Q'ty	S.No.	I/C	REMARKS	Weight (kgf)	Weight (lb)
010	14384-73030	ASSY PUMP WATER	1				0.84	1.848
020	14384-73400	ASSY BODY WATER PUMP	1				0.32	0.704
030	14384-73770	COVER WATER PUMP	1				0.37	0.814
040	14384-73430	GASKET WATER PUMP	1				0.002	0.0044
050	14384-73590	BOLT	5				0.01	0.022
060	01023-50625	BOLT	3				0.007	0.0154
070	01023-60640	BOLT	1				0.015	0.033
080	01513-50625	STUD	2				0.007	0.0154
090	02751-50060	NUT FLANGE	2				0.005	0.011
100	14384-74250	PULLEY	1				0.2	0.44
110	01754-50610	BOLT FLANGE	4				0.006	0.0132
120	19246-03380	GASKET COVER.NA	1				0.003	0.0066

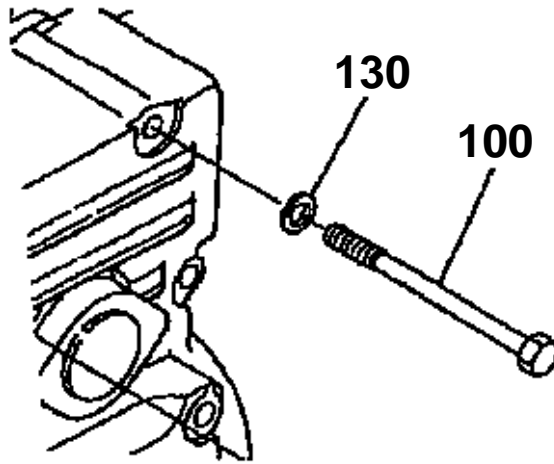
GEAR CASE



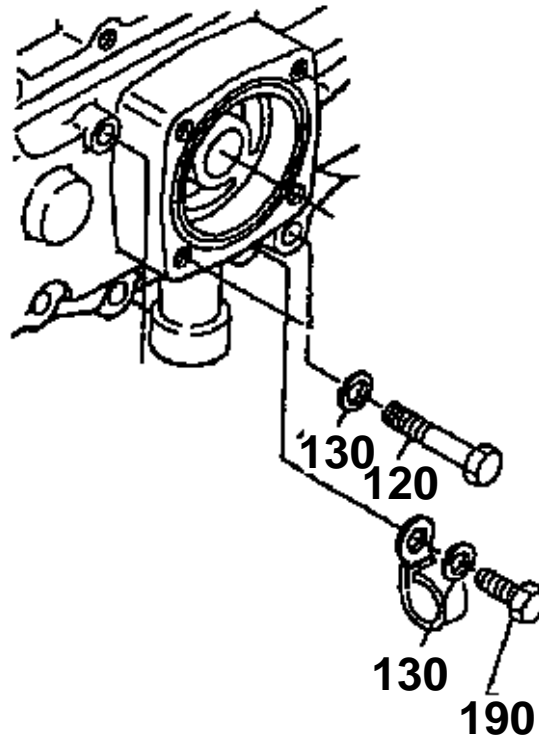
17191-043-11



100 14611-9106-0  
130 04512-50060



120 01053-50635  
130 04512-50060  
190 01053-50612



17191-820-10

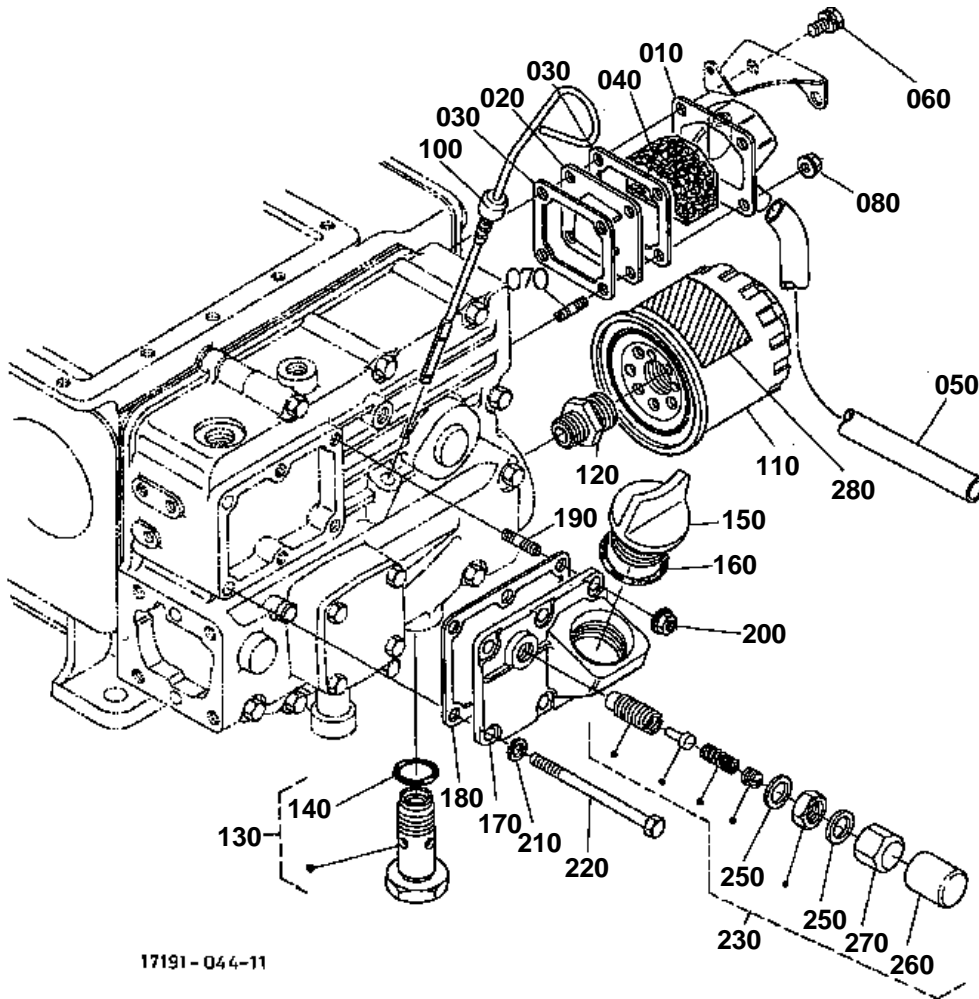


GEAR CASE

↔ Interchangeable; ≠ not interchangeable; ← new for old; → old for new

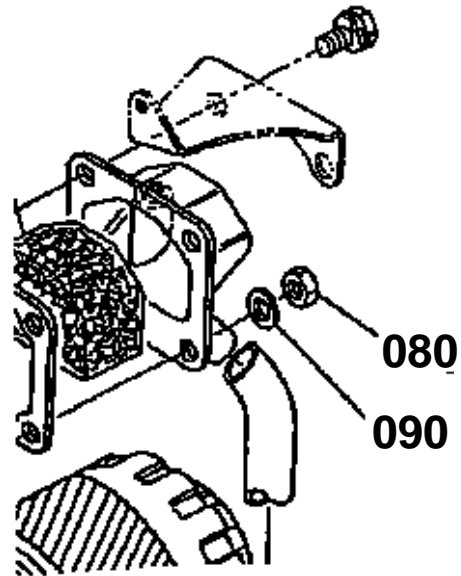
REF.No	Part No.	Description	Q'ty	S.No.	I/C	REMARKS	Weight (kgf)	Weight (lb)
010	15271-04022	COMP.CASE GEAR	1				2	4.4
020	15271-57170	SUPPORT SP.ADJ.LEVER	1				0.02	0.044
030	15221-56280	PIN START SPRING	1				0.006	0.0132
040	99999-99999	BLANK	0				0	0
050	15901-04270	SUPPORT SPRING	1				0.035	0.077
060	15221-33620	PLUG PIN	1				0.002	0.0044
070	15221-33640	PLUG PIN	1				0.003	0.0066
080	05012-00608	PIN STRAIGHT	2				0.002	0.0044
090	19246-04130	GASKET GEAR CASE	1				0.012	0.0264
100	14611-91060	BOLT	4	<=WY0046			0.015	0.033
100	01023-50675	BOLT	4	>=XA0001	←		0.01	0.022
110	15271-91030	BOLT	3				0.019	0.0418
120	01053-50635	BOLT	2	<=WY0046			0.009	0.0198
120	01023-50635	BOLT	2	>=XA0001	←		0.01	0.022
130	04512-60060	WASHER SPRING	10	<=WY0046			0.001	0.0022
130	04512-60060	WASHER SPRING	3	>=XA0001	←		0.001	0.0022
140	99999-99999	BLANK	0				0	0
150	99999-99999	BLANK	0				0	0
160	99999-99999	BLANK	0				0	0
170	99999-99999	BLANK	0				0	0
180	15272-67580	CLAMP CORD	1				0.021	0.0462
190	01053-50612	BOLT	1	<=WY0046			0.004	0.0088
190	01023-50612	BOLT	1	>=XA0001	←		0.005	0.011
200	15271-35400	ASSY ROTOR OIL PUMP	1				0.133	0.2926
210	15271-35130	COVER OIL PUMP	1				0.121	0.2662
220	15271-35160	O RING	1				0.001	0.0022
230	01053-50618	BOLT	4				0.006	0.0132
240	04512-60060	WASHER SPRING	4				0.001	0.0022
250	15271-54090	ASSY APPARATUS I/D.	1				0.03	0.066
260	15271-54100	ASSY BOLT ADJUSTING	1				0.01	0.022
270	15271-92010	NUT	1				0.008	0.0176
280	15271-92330	NUT	1				0.01	0.022
290	15271-54270	CAP	1				0.002	0.0044
300	15021-33660	GASKET	2				0.001	0.0022
310	19212-88210	LABEL CAUTION	1				0.001	0.0022

BREATHER



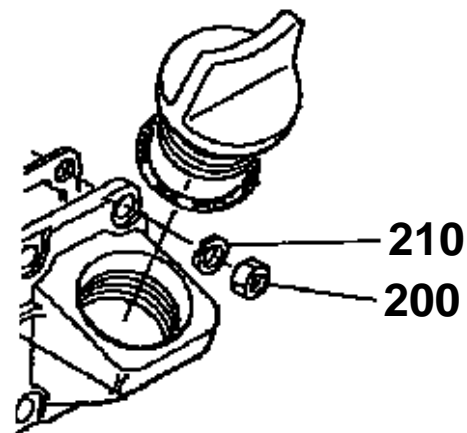
080 02056-50060

090 04512-50060



200 02056-50060

210 04512-50060



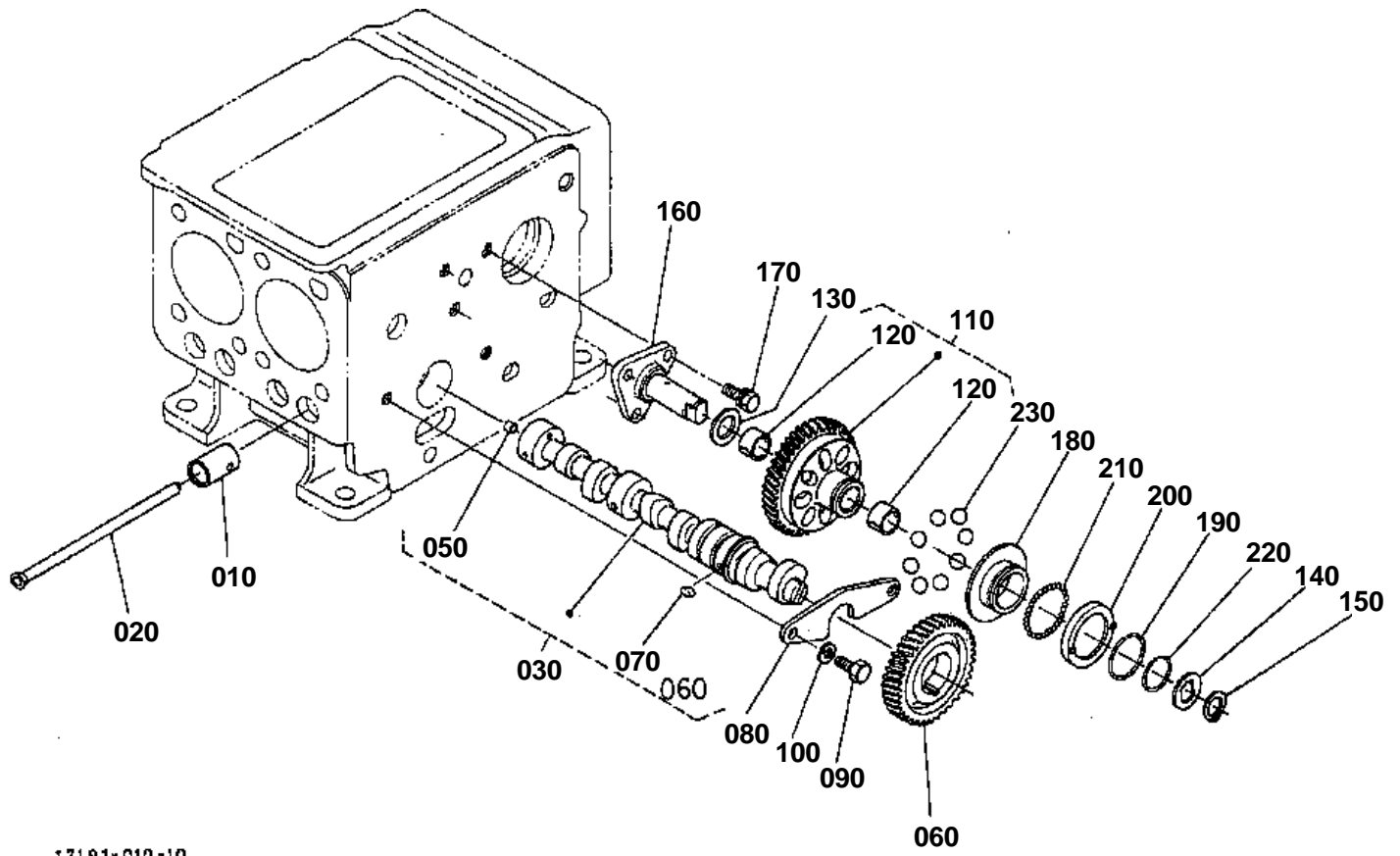
17191-821-10

**BREATHER**

↔ Interchangeable; ≠ not interchangeable; ← new for old; → old for new

REF.No	Part No.	Description	Q'ty	S.No.	I/C	REMARKS	Weight (kgf)	Weight (lb)
010	15271-05410	COVER BREATHER	1	<=WQ0047			0.052	0.1144
010	1G122-05410	COVER BREATHER	1	>=WS0001	↔		0.05	0.11
020	15231-05110	BREATHER	1				0.04	0.088
030	15263-05130	GASKET BREATHER.NA	2				0.001	0.0022
040	15231-05670	ELEMENT BREATHER	1				0.01	0.022
050	09663-80260	TUBE FUEL	1				0.03	0.066
060	01023-50616	BOLT	2				0.005	0.011
070	01518-50614	STUD	2				0.005	0.011
080	02056-50060	NUT	2	<=WY0046			0.002	0.0044
080	02751-50060	NUT FLANGE	2	>=XA0001	←		0.005	0.011
090	04512-60060	WASHER SPRING	2	<=WY0046			0.001	0.0022
100	15272-36410	GAUGE OIL	1				0.016	0.0352
110	15241-32090	ASSY CARTRIDGE OIL	1				0.35	0.77
120	15241-32290	JOINT PIPE	1				0.053	0.1166
130	15261-36070	ASSY VALVE RELIEF	1				0.078	0.1716
140	04810-00150	O RING	1				0.001	0.0022
150	15852-33140	PLUG OIL FILLER	1				0.038	0.0836
160	04811-50300	O RING	1				0.001	0.0022
170	15271-54140	SUPPORT	1				0.133	0.2926
180	19246-54150	GASKET SUPPORT.NA	1				0.002	0.0044
190	01518-50614	STUD	4				0.005	0.011
200	02056-50060	NUT	4	<=WY0046			0.002	0.0044
200	02751-50060	NUT FLANGE	4	>=XA0001	←		0.005	0.011
210	04512-60060	WASHER SPRING	6	<=WY0046			0.001	0.0022
210	04512-60060	WASHER SPRING	2	>=XA0001	←		0.001	0.0022
220	15271-91030	BOLT	2				0.019	0.0418
230	1G121-54030	APPARATUS FUEL LIMIT	1				0.02	0.044
240	99999-99999	BLANK	0				0	0
250	15109-33660	GASKET	2				0.001	0.0022
260	14301-54420	CAP	1				0.005	0.011
270	15261-54220	NUT	1				0.02	0.044
280	19212-88220	LABEL CAUTION	1				0.001	0.0022

CAMSHAFT

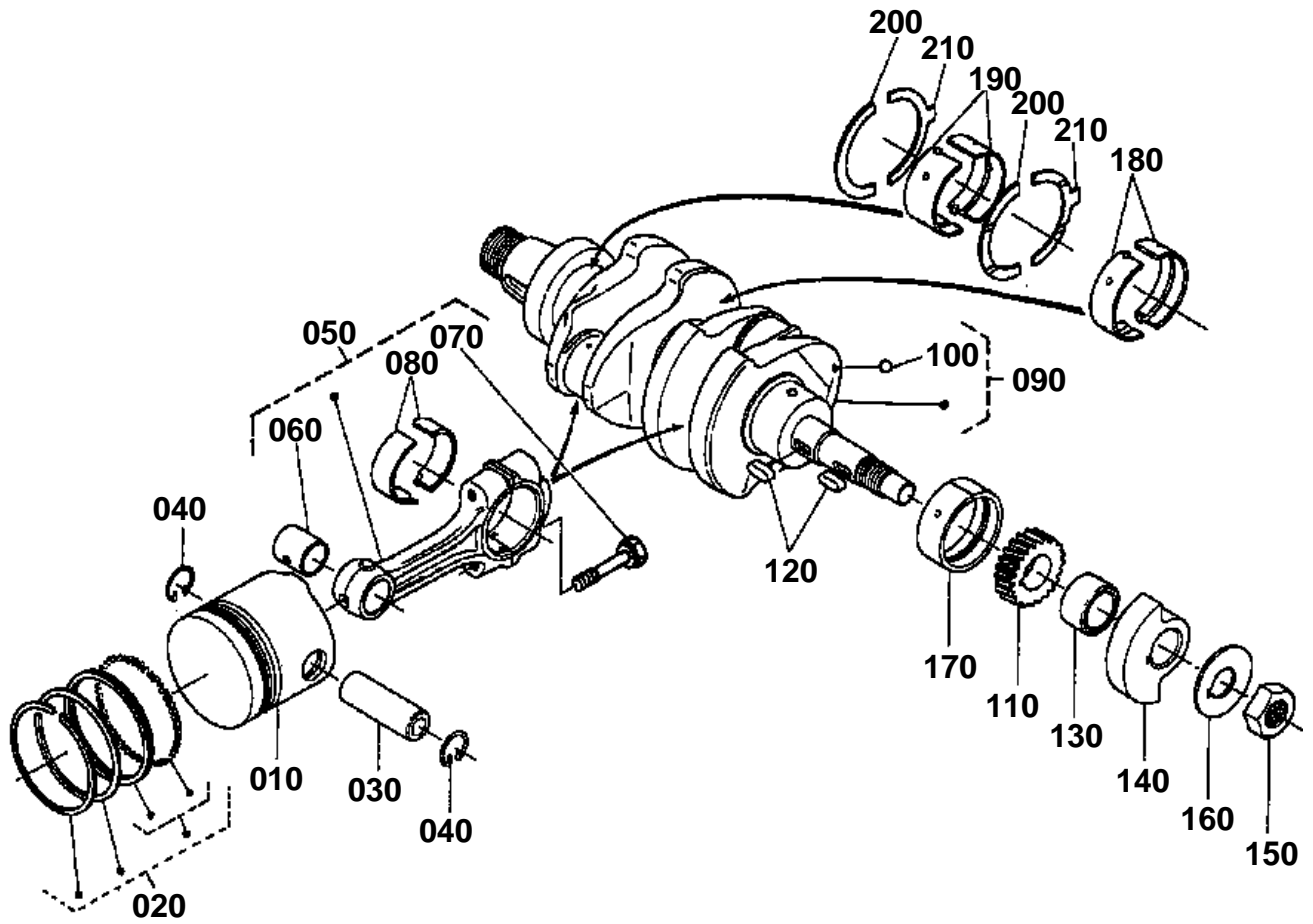


17191-010-10

**CAMSHAFT**

↔ Interchangeable; ≠ not interchangeable; ← new for old; → old for new

REF.No	Part No.	Description	Q'ty	S.No.	I/C	REMARKS	Weight (kgf)	Weight (lb)
010	16261-15550	TAPPET	4				0.035	0.077
020	15271-15110	PUSH ROD	4				0.037	0.0814
030	15271-16010	ASSY CAMSHAFT	1				1.268	2.7896
040	99999-99999	BLANK	0				0	0
050	15261-96880	PLUG	1				0.002	0.0044
060	15271-16510	GEAR CAMSHAFT	1				0.296	0.6512
070	15271-16240	KEY FEATHER	1				0.002	0.0044
080	15271-16270	STOPPER CAMSHAFT	1				0.062	0.1364
090	01153-50818	BOLT	2				0.01	0.022
100	04512-60080	WASHER SPRING	2				0.002	0.0044
110	15271-24010	COMP.GEAR IDLE	1				0.49	1.078
120	15261-24980	BUSH IDLE GEAR	2				0.006	0.0132
130	15261-24360	COLLAR IDLE GEAR	1				0.008	0.0176
140	15261-24370	COLLAR IDLE GEAR	1				0.008	0.0176
150	15261-24320	STOPPER IDLE GEAR	1				0.004	0.0088
160	15271-24252	SHAFT IDLE GEAR	1				0.21	0.462
170	01123-50820	BOLT	3				0.011	0.0242
180	15261-55450	SLEEVE GOVERNOR	1				0.058	0.1276
190	15261-55470	CIR-CLIP GOV. SLEEVE	1				0.002	0.0044
200	15549-55690	CASE GOVERNOR BALL	1				0.62	1.364
210	07715-03205	BALL	30				0.001	0.0022
220	15261-55740	CIR-CLIP	1				0.002	0.0044
230	07715-03217	BALL	8				0.01	0.022



17191-035-20



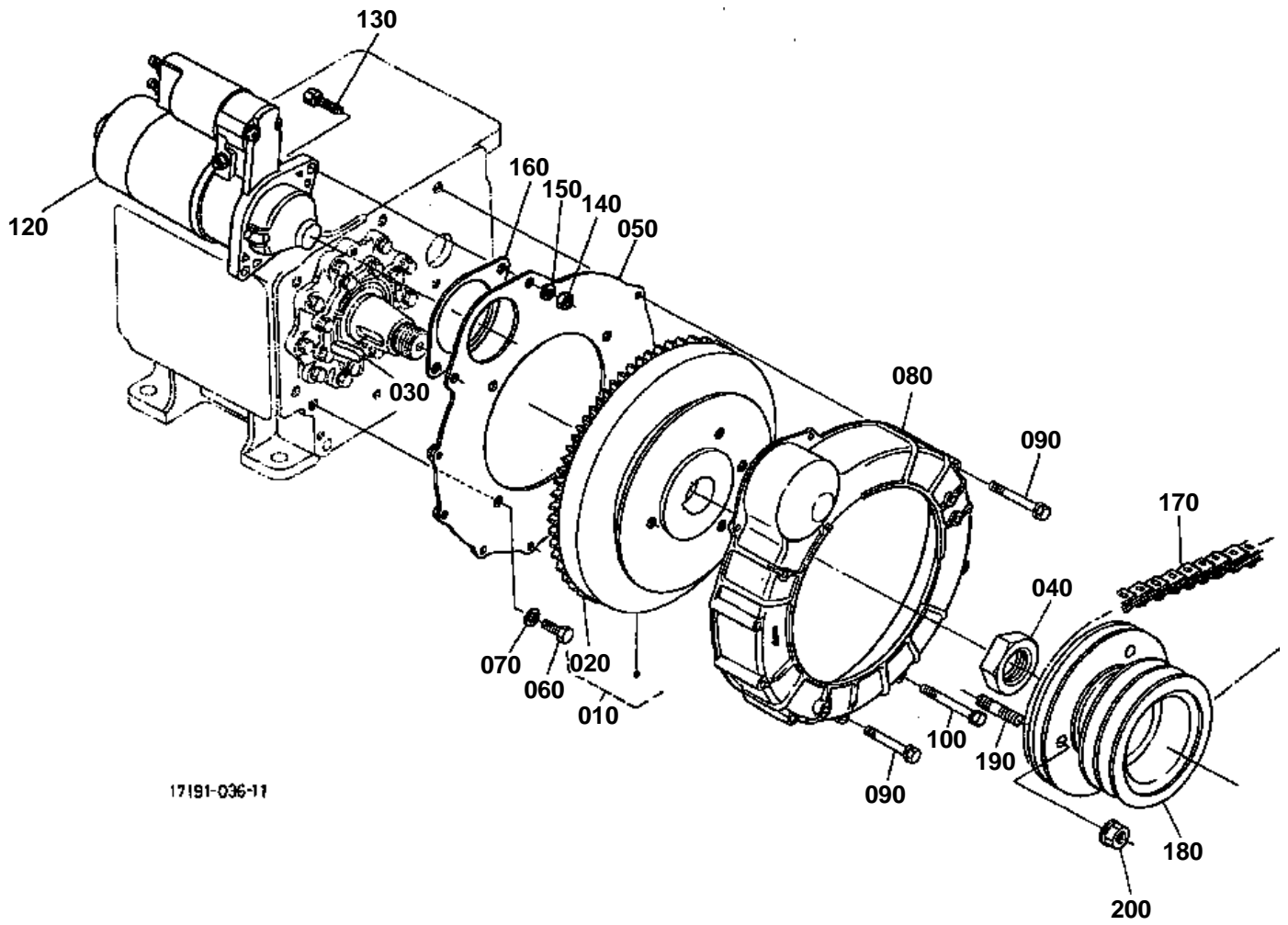


PISTON AND CRANKSHAFT

↔ Interchangeable; ≠ not interchangeable; ← new for old; → old for new

REF.No	Part No.	Description	Q'ty	S.No.	I/C	REMARKS	Weight (kgf)	Weight (lb)
010	15956-21110	PISTON	2			STD	0.32	0.704
010	15956-21910	PISTON	2			+0.5MM	0.33	0.726
020	15901-21050	ASSY PISTON RING	2			STD	0.03	0.066
020	15901-21090	ASSY PISTON RING	2			+0.5MM	0.033	0.0726
030	15261-21310	PIN PISTON	2				0.102	0.2244
040	15261-21330	CIR CLIP PISTON PIN	4				0.001	0.0022
050	15694-22010	ASSY CONNECTING ROD	2				0.5	1.1
060	15261-21980	BUSH PISTON PIN	2				0.012	0.0264
070	15381-22140	BOLT CONNECTING ROD	4				0.02	0.044
080	15694-22310	METAL CRANKPIN	2			STD/SET	0.02	0.044
080	15694-22970	METAL CRANKPIN	2			-0.2MM/SET	0.025	0.055
080	15694-22980	METAL CRANKPIN	2			-0.4MM/SET	0.02	0.044
090	15271-23010	COMP.CRANKSHAFT	1				6	13.2
100	07715-03207	BALL	1				0.001	0.0022
110	15271-24110	GEAR CRANK	1				0.098	0.2156
120	05712-00515	KEY FEATHER	2				0.003	0.0066
130	15271-23250	COLLAR CRANKSHAFT	1				0.041	0.0902
140	15271-26250	BALANCER	1				0.284	0.6248
150	15271-23350	NUT FLYWHEEL	1	<=WQ0047			0.164	0.3608
150	1G122-23350	NUT CRANKSHAFT	1	>=WS0001	↔		0.16	0.352
160	15261-23380	WASHER CRANKSHAFT	1				0.009	0.0198
170	15694-23470	METAL CRANKSHAFT	1			STD	0.035	0.077
170	15694-23910	METAL CRANKSHAFT	1			-0.2MM	0.04	0.088
170	15694-23920	METAL CRANKSHAFT	1			-0.4MM	0.045	0.099
180	15694-23480	METAL CRANKSHAFT	1			STD/SET	0.04	0.088
180	15694-23930	METAL CRANKSHAFT	1			-0.2MM/SET	0.05	0.11
180	15694-23940	METAL CRANKSHAFT	1			-0.4MM/SET	0.046	0.1012
190	15274-23490	METAL CRANKSHAFT	1			STD/SET	0.045	0.099
190	15274-23930	METAL CRANKSHAFT	1			-0.2MM/SET	0.044	0.0968
190	15274-23940	METAL CRANKSHAFT	1			-0.4MM/SET	0.045	0.099
200	15261-23530	METAL SIDE	2			STD	0.006	0.0132
200	15261-23950	METAL SIDE	2			+0.2MM	0.006	0.0132
200	15261-23960	METAL SIDE	2			+0.4MM	0.007	0.0154
210	15261-23540	METAL SIDE	2			STD	0.007	0.0154
210	15261-23970	METAL SIDE	2			+0.2MM	0.006	0.0132
210	15261-23980	METAL SIDE	2			+0.4MM	0.007	0.0154

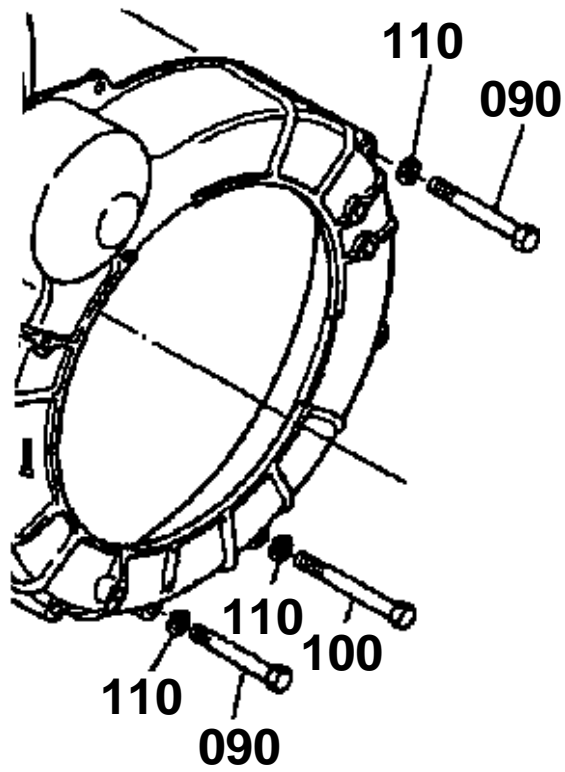
FLYWHEEL AND STARTER



090 01053-50665

100 01053-50660

110 04512-60060



17191-822-10

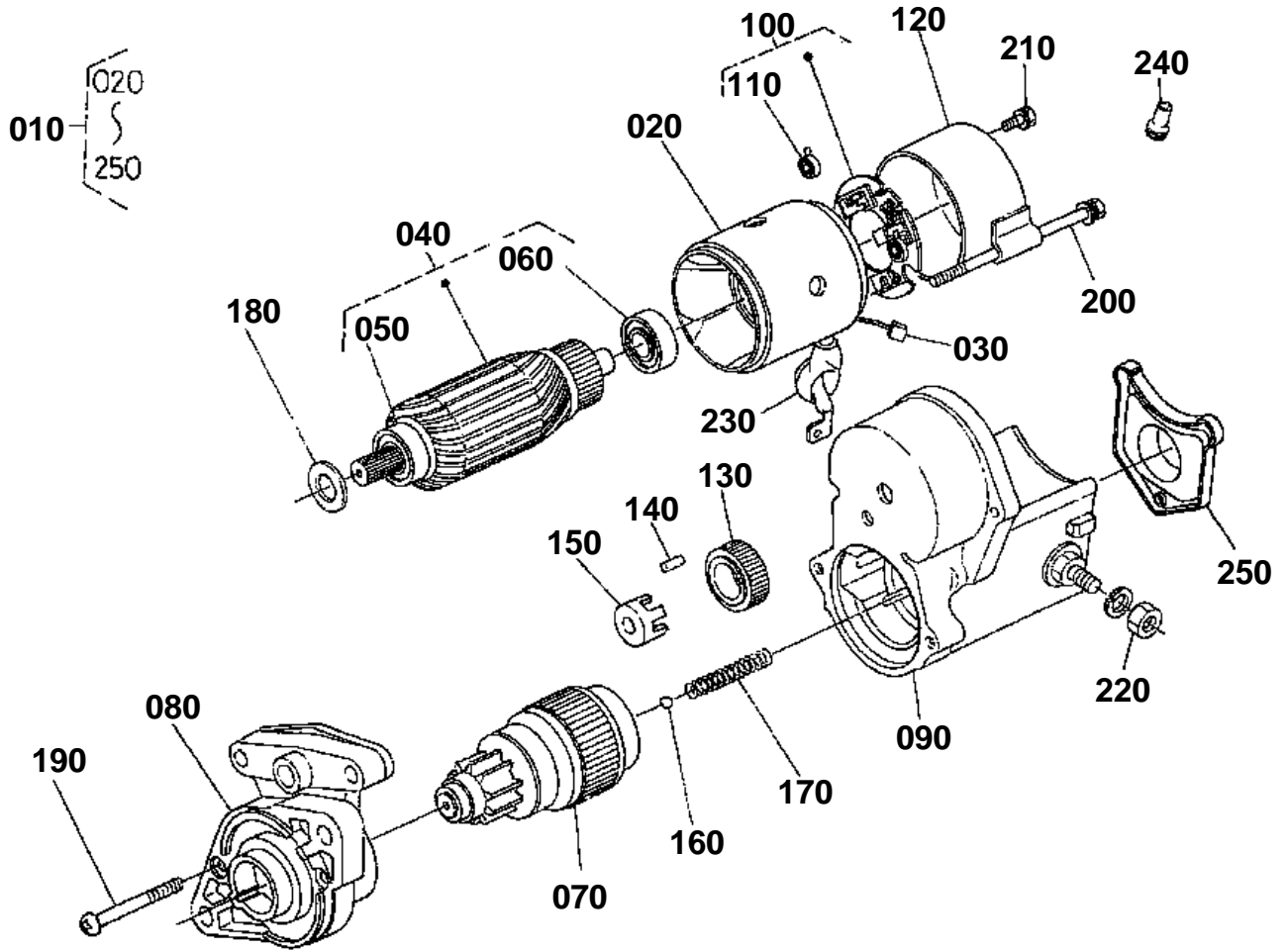


**FLYWHEEL AND STARTER**

↔ Interchangeable; ≠ not interchangeable; ← new for old; → old for new

REF.No	Part No.	Description	Q'ty	S.No.	I/C	REMARKS	Weight (kgf)	Weight (lb)
010	15271-25010	COMP.FLYWHEEL	1				10	22
020	15262-63820	GEAR RING	1				0.65	1.43
030	05712-00725	KEY FEATHER	1				0.009	0.0198
040	15271-23350	NUT FLYWHEEL	1				0.164	0.3608
050	15271-04620	PLATE REAR END	1				1.4	3.08
060	01153-50818	BOLT	4				0.01	0.022
070	04512-60080	WASHER SPRING	4				0.002	0.0044
080	1G122-25310	COVER FLYWHEEL	1	<=XY0042		ZB600-EGL-S	0.7	1.54
080	14384-25310	COVER FLYWHEEL	1	>=YA0001	≠	ZB600-EGL-S-1	0.72	1.584
090	01053-50665	BOLT	2	<=WY0046			0.015	0.033
090	01023-50665	BOLT	2	>=XA0001	←		0.015	0.033
100	01053-50660	BOLT	6	<=WY0046			0.014	0.0308
100	01023-50660	BOLT	6	>=XA0001	←		0.01	0.022
110	04512-60060	WASHER SPRING	8	<=WY0046			0.001	0.0022
120	15741-63010	ASSY STARTER	1				4.15	9.13
130	01153-50840	BOLT	2				0.018	0.0396
140	02156-50080	NUT	2				0.004	0.0088
150	04512-60080	WASHER SPRING	2				0.002	0.0044
160	15271-63580	SHIM	1				0.044	0.0968
170	14384-97010	BELT ENDLESS NO105	1				0.08	0.176
180	14386-84020	PULLEY ENGINE	1				3.77	8.294
190	01517-61030	STUD	3				0.021	0.0462
200	02771-60100	NUT FLANGE	3				0.01	0.022

STARTER [COMPONENT PARTS]



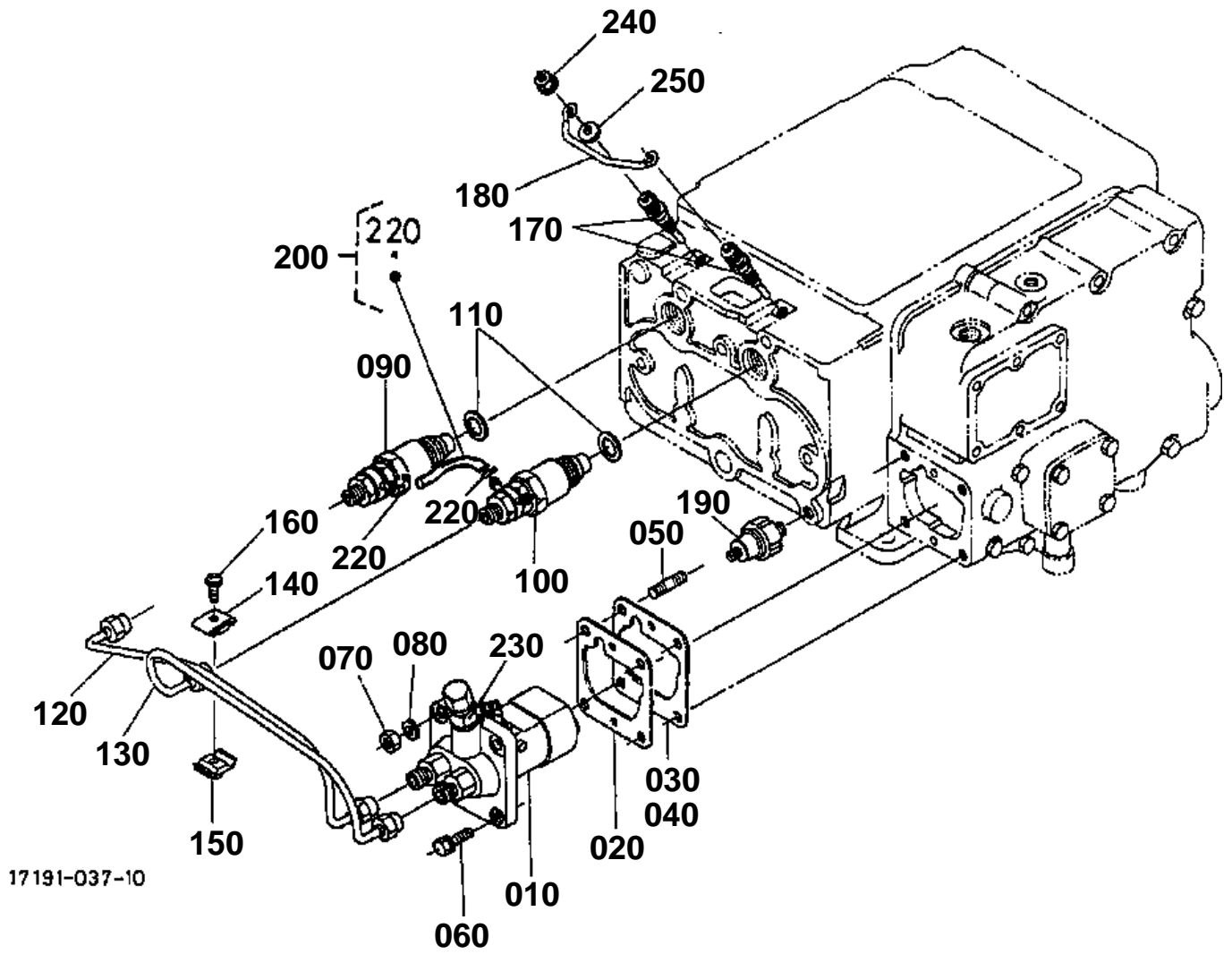
1G120-001-10

**STARTER [COMPONENT PARTS]**

↔ Interchangeable; ≠ not interchangeable; ← new for old; → old for new

REF.No	Part No.	Description	Q'ty	S.No.	I/C	REMARKS	Weight (kgf)	Weight (lb)
010	15741-63010	ASSY STARTER	1				4.15	9.13
020	15501-63080	YOKE	1				0.675	1.485
030	15501-63370	BRUSH	2				0.01	0.022
040	15501-63070	ARMATURE	1				0.78	1.716
050	15504-63500	BEARING BALL	1				0.02	0.044
060	15504-63530	BEARING BALL	1				0.04	0.088
070	15504-63040	CLUTCH	1				0.725	1.595
080	15504-63030	HOUSING	1				0.385	0.847
090	16871-63020	ASSY SWITCH MAGNETIC	1				1.2	2.64
100	15501-63380	HOLDER BRUSH	1				0.075	0.165
110	15401-63390	SPRING BRUSH	4				0.003	0.0066
120	16271-63200	FRAME END	1				0.185	0.407
130	15401-63270	GEAR	1				0.043	0.0946
140	19212-63100	ROLLER	5				0.002	0.0044
150	19212-63110	RETAINER	1				0.002	0.0044
160	19212-97130	BALL	1				0.003	0.0066
170	19212-63120	SPRING	1				0.004	0.0088
180	15501-96670	WASHER FELT	1				0.005	0.011
190	15501-93310	SCREW PAN-HEAD	2				0.01	0.022
200	15501-63320	BOLT THROUGH	2				0.03	0.066
210	15501-91020	BOLT	2				0.01	0.022
220	13963-92010	NUT HEXAGON	1				0.005	0.011
230	11520-63130	COVER CORD	1				0	0
240	16251-63450	PIPE DRAIN	1				0.002	0.0044
250	16271-98050	ASSY COVER	1				0.07	0.154

# INJECTION PUMP





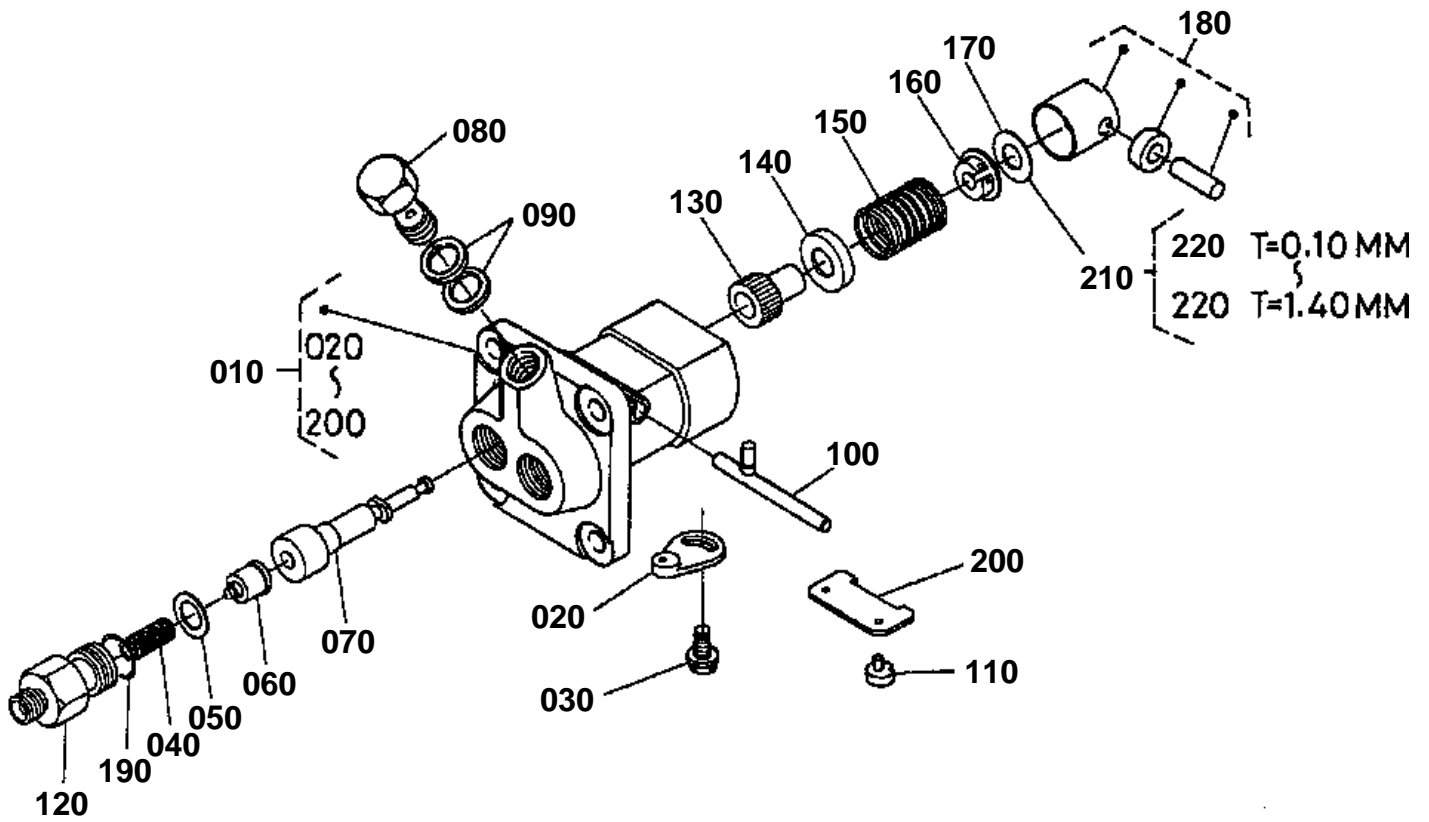
# INJECTION PUMP

↔ Interchangeable; ≠ not interchangeable; ← new for old; → old for new

REF.No	Part No.	Description	Q'ty	S.No.	I/C	REMARKS	Weight (kgf)	Weight (lb)
010	1G122-51012	ASSY PUMP INJECTION	1				1.54	3.388
020	15221-52110	SHIM INJECTION PUMP	4			0.15MM	0.002	0.0044
030	15261-52110	SHIM INJECTION PUMP	1			0.30MM	0.008	0.0176
040	15271-52110	SHIM INJECTION PUMP	2				0.003	0.0066
050	01513-50822	STUD	2				0.01	0.022
060	01123-50825	BOLT	2				0.013	0.0286
070	02156-50080	NUT	2				0.004	0.0088
080	04512-60080	WASHER SPRING	2				0.002	0.0044
090	1G121-53000	ASSY HOLDER NOZZLE	1				0.25	0.55
100	1G121-53020	ASSY HOLDER NOZZLE	1				0.25	0.55
110	17011-53620	GASKET	2				0.003	0.0066
120	14384-53710	PIPE INJECTION	1				0.114	0.2508
130	14384-53720	PIPE INJECTION	1				0.114	0.2508
140	15841-53850	CLAMP PIPE	1				0.01	0.022
150	15841-53860	CLAMP PIPE	1				0.009	0.0198
160	03024-50520	SCREW WITH WASHER	1				0.004	0.0088
170	15694-65510	GLOW PLUG	2				0.02	0.044
180	15261-65560	CORD GLOW PLUG	1				0.005	0.011
190	15841-39010	SWITCH OIL	1				0.03	0.066
200	15271-42500	ASSY PIPE OVER FLOW	1				0.004	0.0088
210	99999-99999	BLANK	0				0	0
220	14971-42750	CLIP PIPE	2				0.001	0.0022
230	14111-42410	JOINT EYE	1				0.025	0.055
240	02761-50040	NUT FLANGE	2				0.002	0.0044
250	04013-60040	WASHER PLAIN	2				0.002	0.0044



INJECTION PUMP [COMPONENT PARTS]



17191-041-10

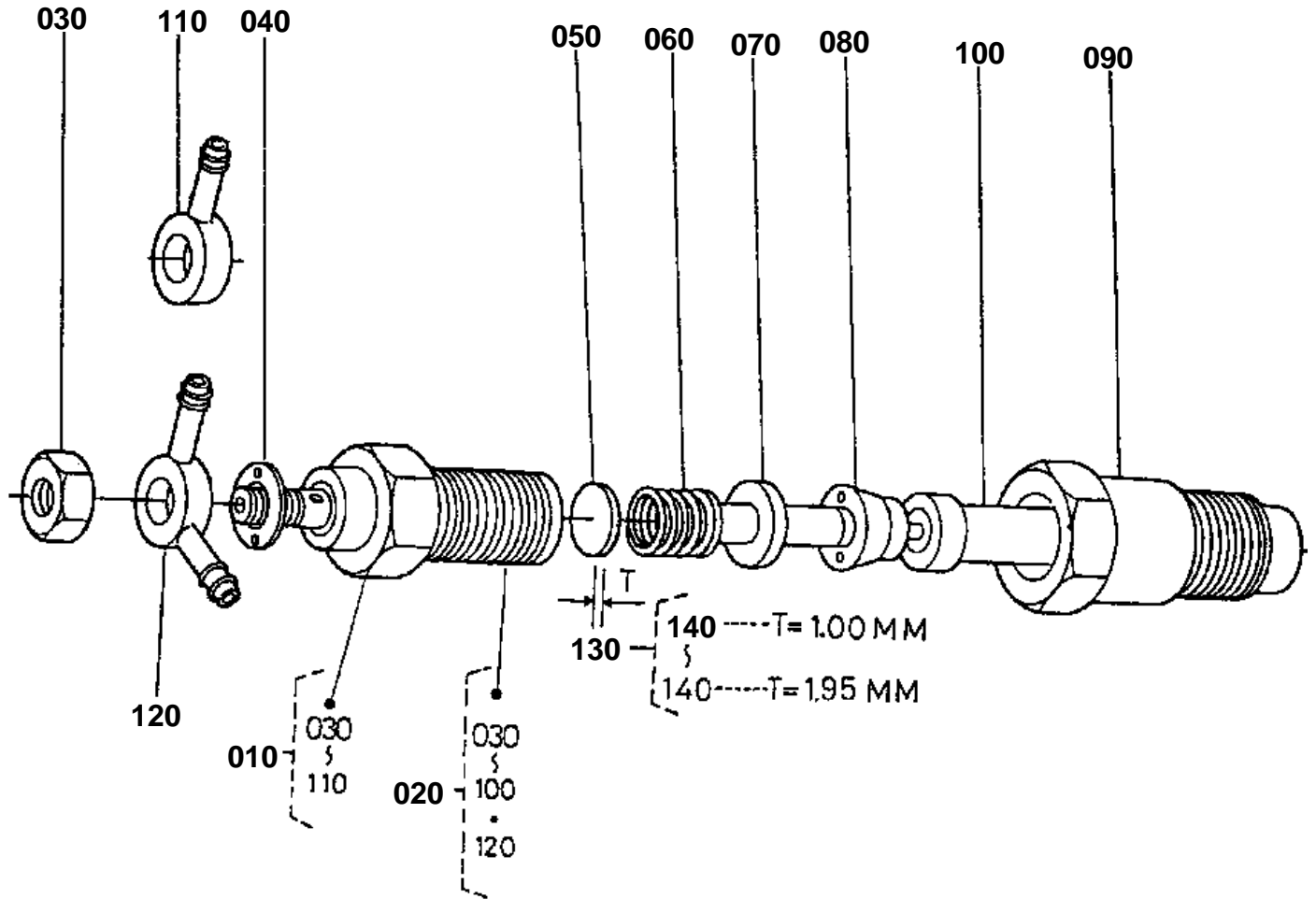


## INJECTION PUMP [COMPONENT PARTS]

↔ Interchangeable; ≠ not interchangeable; ← new for old; → old for new

REF.No	Part No.	Description	Q'ty	S.No.	I/C	REMARKS	Weight (kgf)	Weight (lb)
010	1G122-51012	ASSY PUMP INJECTION	1				1.54	3.388
020	14384-51390	PLATE ADJUSTING	1				0.006	0.0132
030	16454-91030	BOLT	1				0.005	0.011
040	15221-51230	SPRING DELIV.VALVE	2				0.002	0.0044
050	15221-51240	GASKET DELIV.VALVE	2				0.001	0.0022
060	15271-51030	VALVE DELIVERY	2				0.01	0.022
070	14384-51050	PLUNGER PUMP	2				0.05	0.11
080	14911-51320	SCREW FOLLOW	1				0.032	0.0704
090	15221-96650	GASKET	2				0.001	0.0022
100	15271-51060	RACK CONTROL	1				0.027	0.0594
110	14611-51250	PIN TAPPET GUIDE	2				0.003	0.0066
120	15271-51220	HOLDER DELIV.VALVE	2				0.07	0.154
130	15221-51382	SLEEVE CONTROL	2				0.011	0.0242
140	15221-51270	SEAT SPRING UPPER	2				0.004	0.0088
150	15221-51280	SPRING PLUNGER	2				0.015	0.033
160	15221-51290	SEAT SPRING LOWER	2				0.01	0.022
170	15221-51490	SHIM	1				0.002	0.0044
180	15221-51070	ASSY TAPPET	2				0.039	0.0858
190	14611-51200	O RING	2				0.001	0.0022
200	14611-51440	PLATE	1				0.005	0.011
210	14601-98300	KIT SHIM ADJUST(P)	2			OPTION	0.1	0.22
220	14601-98310	SHIM ADJUST	2			0.10MM	0.002	0.0044
220	14601-98320	SHIM ADJUST	2			0.20MM	0.001	0.0022
220	14601-98330	SHIM ADJUST	2			0.25MM	0.002	0.0044
220	14601-98340	SHIM ADJUST	2			0.30MM	0.002	0.0044
220	14601-98350	SHIM ADJUST	2			0.35MM	0.002	0.0044
220	15221-51490	SHIM	2			0.40MM	0.002	0.0044
220	14601-98370	SHIM ADJUST	2			0.45MM	0.003	0.0066
220	14601-98380	SHIM ADJUST	2			0.50MM	0.003	0.0066
220	14601-98390	SHIM ADJUST	2			0.55MM	0.002	0.0044
220	14109-51300	PLATE SHIM	2			0.60MM	0.001	0.0022
220	14601-98410	SHIM ADJUST	2			0.65MM	0.003	0.0066
220	14601-98420	SHIM ADJUST	2			0.70MM	0.002	0.0044
220	14601-98430	SHIM ADJUST	2			0.80MM	0.002	0.0044
220	14601-98440	SHIM ADJUST	2			0.90MM	0.002	0.0044
220	14601-98450	SHIM ADJUST	2			1.00MM	0.002	0.0044
220	14601-98460	SHIM ADJUST	2			1.10MM	0.003	0.0066
220	14601-98470	SHIM ADJUST	2			1.20MM	0.003	0.0066
220	14601-98480	SHIM ADJUST	2			1.30MM	0.004	0.0088
220	14601-98490	SHIM ADJUST	2			1.40MM	0.004	0.0088

# NOZZLE HOLDER

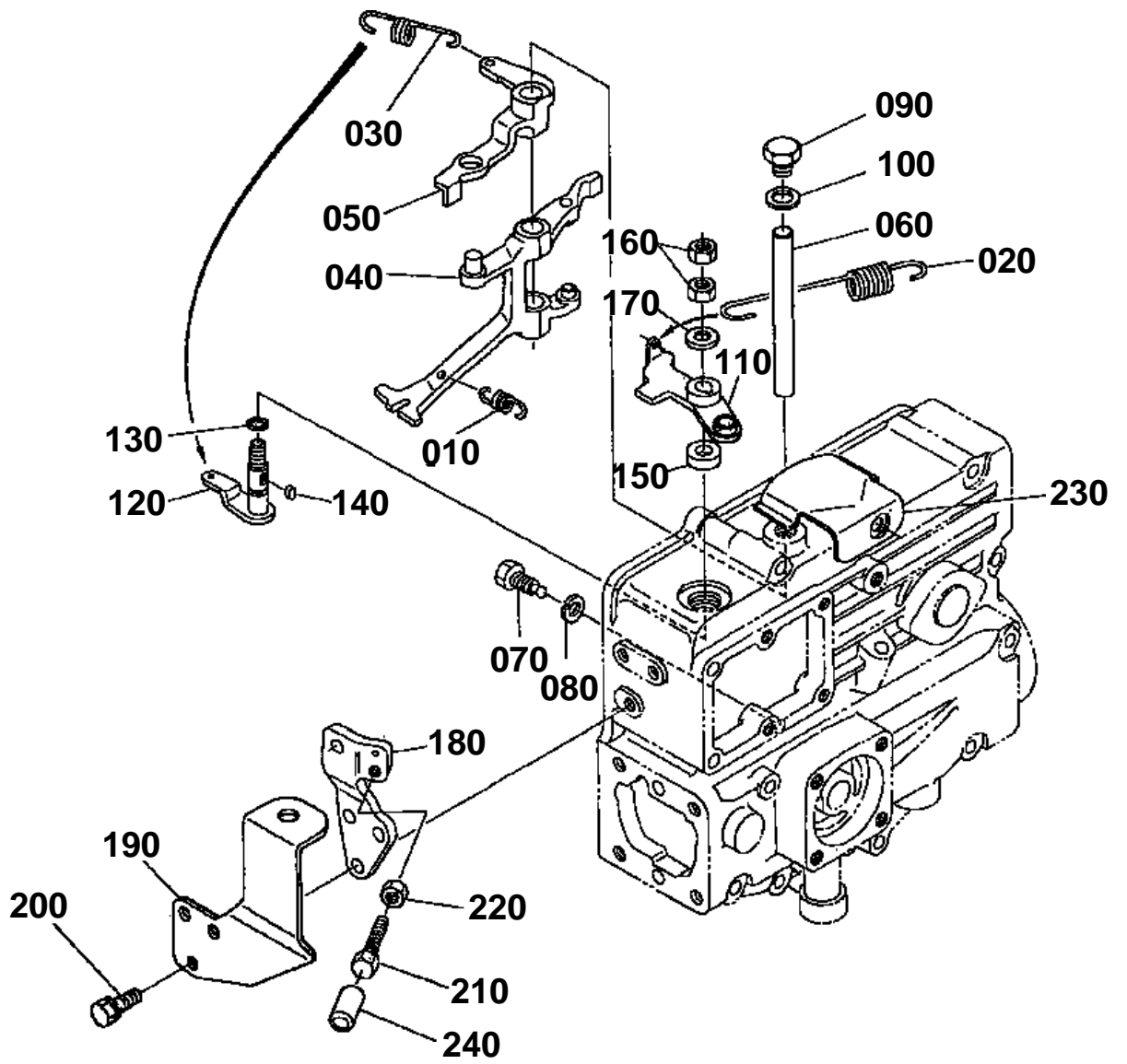


17191-016-10

**NOZZLE HOLDER**

↔ Interchangeable; ≠ not interchangeable; ← new for old; → old for new

REF.No	Part No.	Description	Q'ty	S.No.	I/C	REMARKS	Weight (kgf)	Weight (lb)
010	1G121-53000	ASSY HOLDER NOZZLE	1				0.25	0.55
020	1G121-53020	ASSY HOLDER NOZZLE	1				0.25	0.55
030	1G121-92030	NUT	2				0.01	0.022
040	1G121-94020	GASKET	2				0.002	0.0044
050	1G121-53230	WASHER ADJUSTING	2				0.003	0.0066
060	1G121-53170	SPRING NOZZLE	2				0.01	0.022
070	14111-53160	BUSH ROD	2				0.003	0.0066
080	14111-53350	PIECE DISTANCE	2				0.014	0.0308
090	1G121-53280	NUT NOZZLE	2				0.07	0.154
100	14111-53610	PIECE NOZZLE	2				0.045	0.099
110	1G121-95680	JOINT EYE-PIPE	1				0.018	0.0396
120	1G121-95690	JOINT EYE-PIPE	1				0.02	0.044
130	15221-98100	ASSY WASHER ADJUST	2			OPTION	0.03	0.066
140	15221-98110	WASHER ADJUSTING	2			1.00MM	0.001	0.0022
140	15221-98120	WASHER ADJUSTING	2			1.05MM	0.001	0.0022
140	15221-98130	WASHER ADJUSTING	2			1.10MM	0.001	0.0022
140	15221-98140	WASHER ADJUSTING	2			1.15MM	0.001	0.0022
140	15221-98150	WASHER ADJUSTING	2			1.20MM	0.001	0.0022
140	15221-98160	WASHER ADJUSTING	2			1.25MM	0.001	0.0022
140	15221-98170	WASHER ADJUSTING	2			1.30MM	0.001	0.0022
140	15221-98180	WASHER ADJUSTING	2			1.35MM	0.001	0.0022
140	15221-98190	WASHER ADJUSTING	2			1.40MM	0.002	0.0044
140	15221-98200	WASHER ADJUSTING	2			1.45MM	0.001	0.0022
140	15221-98210	WASHER ADJUSTING	2			1.50MM	0.001	0.0022
140	15221-98220	WASHER ADJUSTING	2			1.55MM	0.003	0.0066
140	15221-98230	WASHER ADJUSTING	2			1.60MM	0.003	0.0066
140	15221-98240	WASHER ADJUSTING	2			1.65MM	0.002	0.0044
140	15221-98250	WASHER ADJUSTING	2			1.70MM	0.002	0.0044
140	15221-98260	WASHER ADJUSTING	2			1.75MM	0.002	0.0044
140	15221-98270	WASHER ADJUSTING	2			1.80MM	0.002	0.0044
140	15221-98280	WASHER ADJUSTING	2			1.85MM	0.002	0.0044
140	15221-98290	WASHER ADJUSTING	2			1.90MM	0.002	0.0044
140	15221-98300	WASHER ADJUSTING	2			1.95MM	0.003	0.0066



17191-045-10

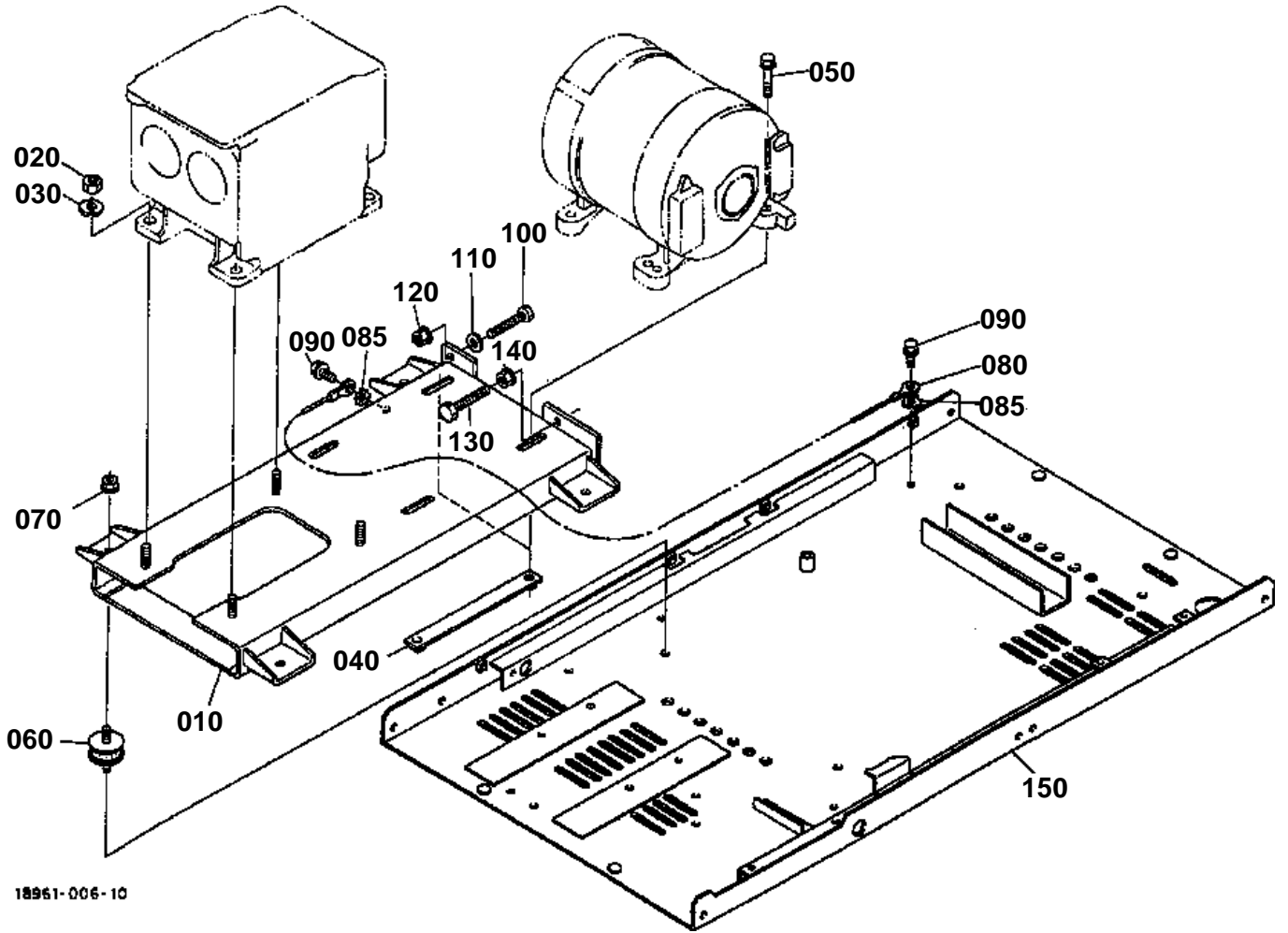


## GAVERNOR

↔ Interchangeable; ≠ not interchangeable; ← new for old; → old for new

REF.No	Part No.	Description	Q'ty	S.No.	I/C	REMARKS	Weight (kgf)	Weight (lb)
010	15271-56480	SPRING START	1				0.001	0.0022
020	15271-56540	SPRING STOP	1				0.009	0.0198
030	15271-56410	SPRING GOVERNOR	1				0.002	0.0044
040	15271-56040	COMP.LEVER FORK	1				0.171	0.3762
050	15271-56210	LEVER FLOATING 2	1				0.071	0.1562
060	15271-56150	SHAFT FORK LEVER	1				0.062	0.1364
070	15271-04210	BOLT LEVER SHAFT	1				0.01	0.022
080	04512-60080	WASHER SPRING	1				0.002	0.0044
090	15271-04260	PLUG	1	≤WQ0047			0.015	0.033
090	1G122-04260	PLUG	1	≥WS0001	↔		0.014	0.0308
100	04724-00120	GASKET	1				0.002	0.0044
110	14384-57150	LEVER SPEED CONTROL	1				0.052	0.1144
120	15271-57230	SHAFT LEVER	1				0.029	0.0638
130	04811-10070	O RING	1				0.001	0.0022
140	15261-95010	KEY FEATHER	1				0.001	0.0022
150	14384-57380	COLLAR	1				0.007	0.0154
160	02112-50080	NUT	2				0.003	0.0066
170	04012-50080	WASHER PLAIN	1				0.001	0.0022
180	15271-57460	STOPPER RELEASE	1				0.119	0.2618
190	14384-60110	SUPPORT SOLENOID	1				0.16	0.352
200	01023-50622	BOLT	3				0.005	0.011
210	01055-50630	BOLT	1				0.008	0.0176
220	1G031-54210	NUT LOCK	1				0.003	0.0066
230	99999-99999	BLANK	0				0	0
240	1G121-54290	PIPE	1				0.016	0.0352

ENGINE BASE



18961-006-10

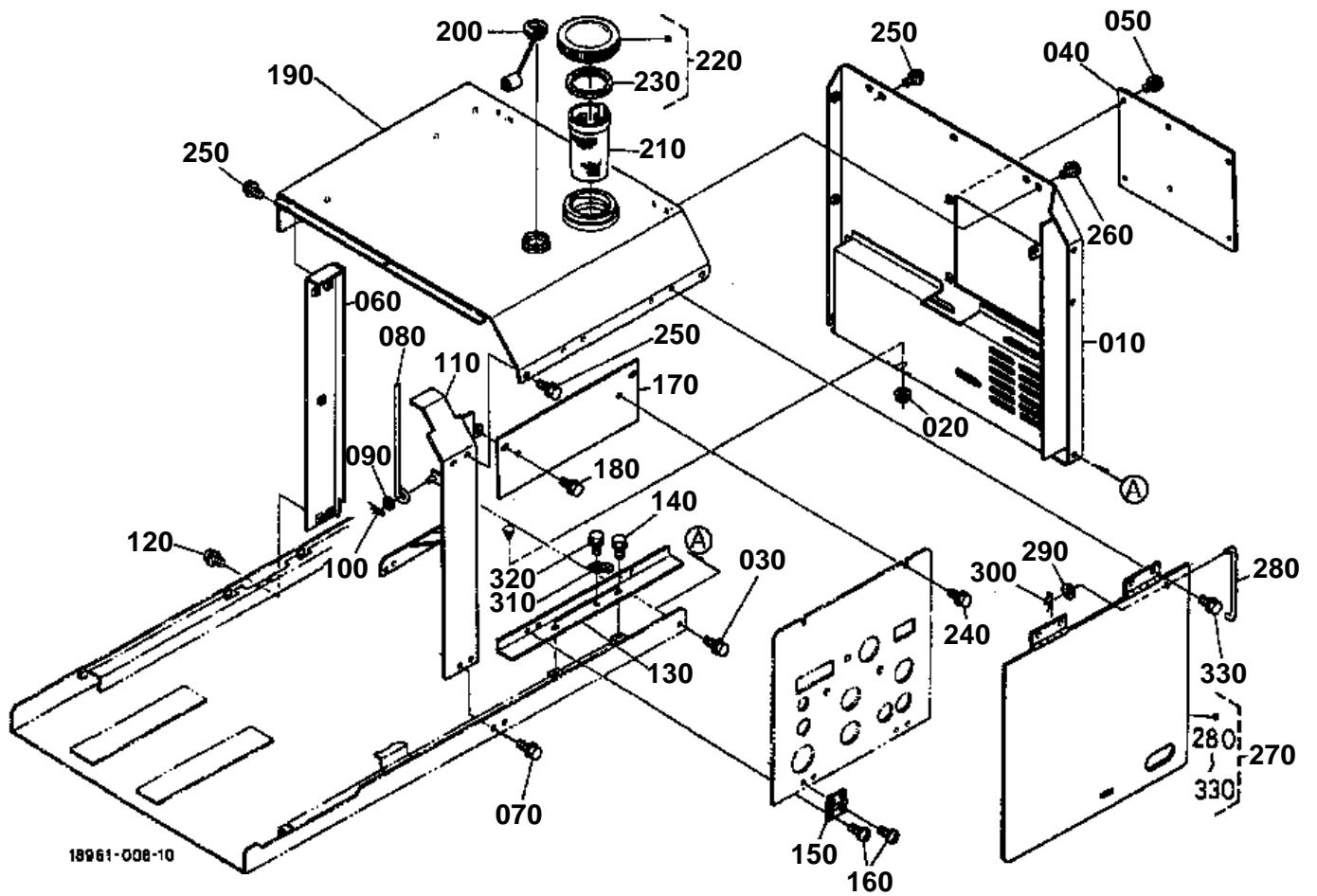
**ENGINE BASE**

↔ Interchangeable; ≠ not interchangeable; ← new for old; → old for new

REF.No	Part No.	Description	Q'ty	S.No.	I/C	REMARKS	Weight (kgf)	Weight (lb)
010	18961-30693	BASE ENGINE	1				13.8	30.36
020	02118-50120	NUT	4				0.01	0.022
030	04512-60120	WASHER SPRING	4				0.005	0.011
040	18961-30560	PLATE GENERATOR	2				0.18	0.396
050	01774-51040	BOLT FLANGE	4				0.025	0.055
060	18806-41410	CUSHION RUBBER	4				0.16	0.352
070	02771-60100	NUT FLANGE	4				0.01	0.022
080	18961-67910	CORD EARTH	1				0.015	0.033
085	04413-50080	WASHER TOOTHED	2				0.003	0.0066
090	01754-50816	BOLT FLANGE	2				0.011	0.0242
100	01155-50860	BOLT	1				0.025	0.055
110	04013-60080	WASHER PLAIN	1				0.002	0.0044
120	02751-50080	NUT FLANGE	1				0.006	0.0132
130	01155-50840	BOLT	1				0.02	0.044
140	02751-50080	NUT FLANGE	1				0.006	0.0132
150	18967-30555	COMP BED CAN	1				19.2	42.24



BONNET (FRONT)

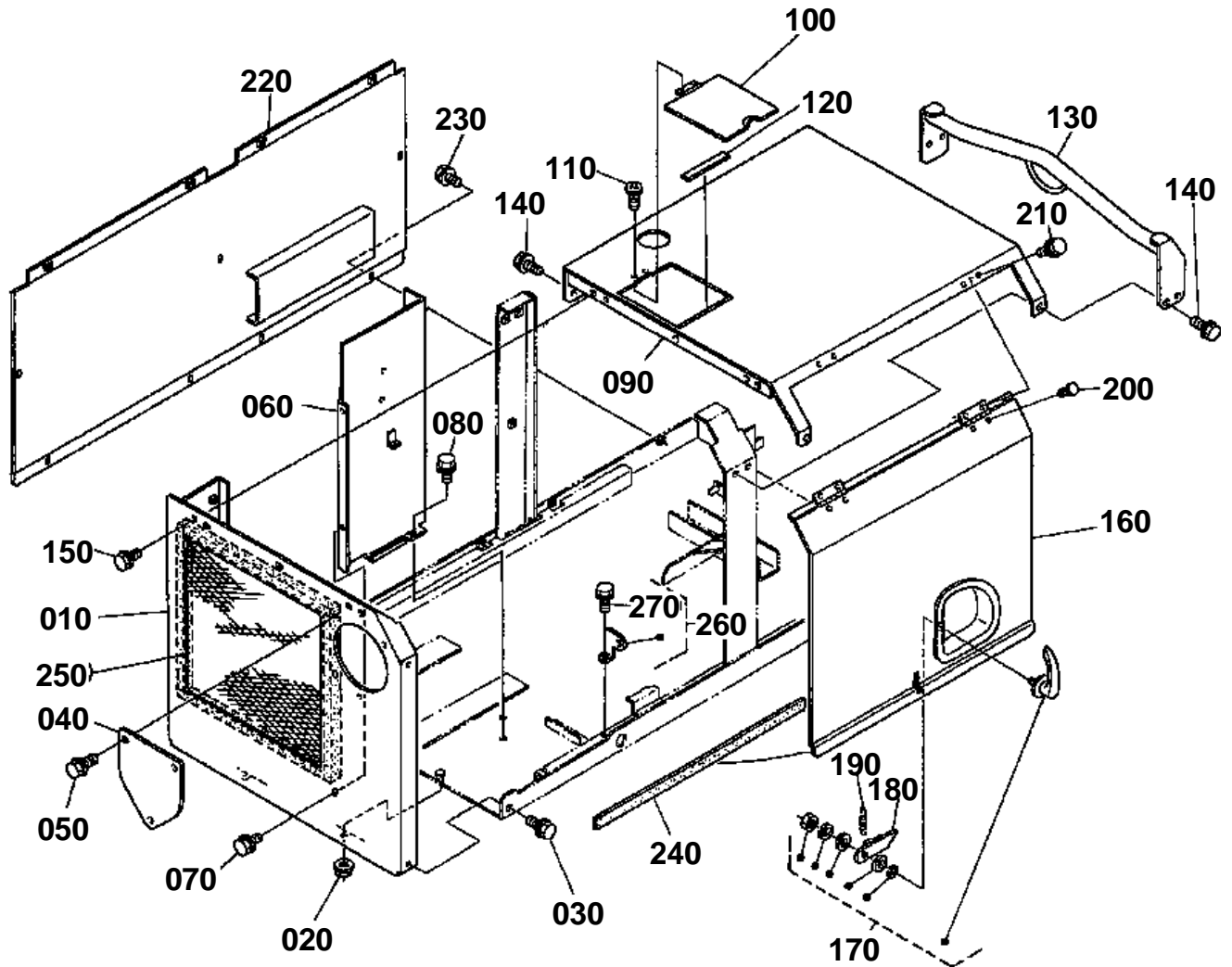


**BONNET (FRONT)**

↔ Interchangeable; ≠ not interchangeable; ← new for old; → old for new

REF.No	Part No.	Description	Q'ty	S.No.	I/C	REMARKS	Weight (kgf)	Weight (lb)
010	18961-30110	COMP BONNET FRONT	1				8	17.6
020	02751-50080	NUT FLANGE	2				0.006	0.0132
030	01754-50816	BOLT FLANGE	2				0.011	0.0242
040	18961-30220	COVER FRONT	1				1	2.2
050	01754-50612	BOLT FLANGE	4				0.005	0.011
060	18961-31380	COMP POLE RIGHT.S	1				1.2	2.64
070	01754-50816	BOLT FLANGE	2				0.011	0.0242
080	18961-31270	STOPPER DOOR	1				0.07	0.154
090	04013-60080	WASHER PLAIN	1				0.002	0.0044
100	05515-60800	PIN SNAP	1				0.002	0.0044
110	18961-31370	COMP POLE LEFT.S	1				1.96	4.312
120	01754-50816	BOLT FLANGE	2				0.011	0.0242
130	18961-31520	BRACKET PANEL	1				0.38	0.836
140	01754-50612	BOLT FLANGE	2				0.005	0.011
150	18901-30380	JOINT	2				0.03	0.066
160	03024-50410	SCREW WITH WASHER	8				0.001	0.0022
170	18961-30973	COVER S	1				0.02	0.044
180	01754-50610	BOLT FLANGE	4				0.006	0.0132
190	18961-30510	ASSY ROOF GENERATOR	1				12.88	28.336
200	18961-41700	ASSY GAUGE FUEL	1				0.02	0.044
210	14261-41350	FILTER	1				0.02	0.044
220	12521-41030	ASSY CAP FUEL TANK	1				0.13	0.286
230	12521-41340	GASKET TANK CAP	1				0.005	0.011
240	01754-50612	BOLT FLANGE	4				0.005	0.011
250	01754-50816	BOLT FLANGE	7				0.011	0.0242
260	01774-61020	BOLT FLANGE	2				0.022	0.0484
270	18961-63100	ASSY COVER PANEL	1				3	6.6
280	18961-63140	STOPPER PANEL	1				0.04	0.088
290	04013-60060	WASHER PLAIN	1				0.001	0.0022
300	05515-50600	PIN SNAP	1				0.002	0.0044
310	18961-31320	HOLDER PANEL LOCK	1				0.02	0.044
320	01754-50612	BOLT FLANGE	1				0.005	0.011
330	01754-50612	BOLT FLANGE	4				0.005	0.011

BONNET (REAR)



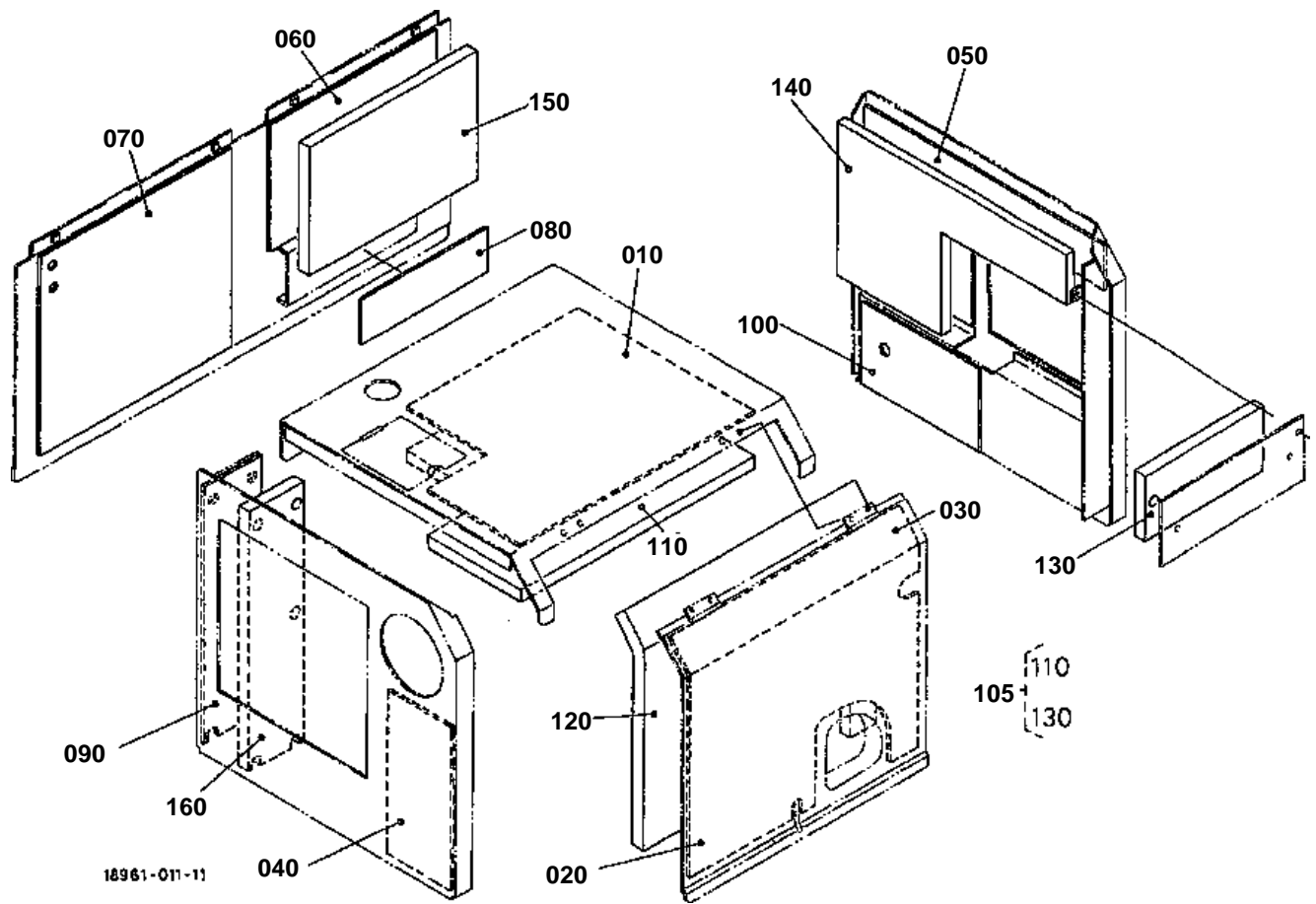
18961-038-10

**BONNET (REAR)**

↔ Interchangeable; ≠ not interchangeable; ← new for old; → old for new

REF.No	Part No.	Description	Q'ty	S.No.	I/C	REMARKS	Weight (kgf)	Weight (lb)
010	18961-31750	COMP BONNET REAR	1				5.08	11.176
020	02751-50080	NUT FLANGE	2				0.006	0.0132
030	01754-50816	BOLT FLANGE	3				0.011	0.0242
040	18961-31770	COVER AIR CLEANER	1				0.35	0.77
050	01754-50612	BOLT FLANGE	3				0.005	0.011
060	18961-30853	PLATE PARTITION	1				1.5	3.3
070	01754-50612	BOLT FLANGE	2				0.005	0.011
080	01754-50816	BOLT FLANGE	2				0.011	0.0242
090	18961-30540	COMP ROOF ENGINE	1				6.8	14.96
100	18961-30280	COMP COVER BONNET	1				0.39	0.858
110	03024-50410	SCREW WITH WASHER	2				0.001	0.0022
120	18961-60680	MAGNET RUBBER	1				0.005	0.011
130	18961-30130	HANGER S	1				1.3	2.86
140	01754-50816	BOLT FLANGE	9				0.011	0.0242
150	01774-61020	BOLT FLANGE	2				0.022	0.0484
160	18961-30054	COMP DOOR BONNET	1				5	11
170	18961-30080	HANDLE L TYPE	1				0.19	0.418
180	18961-30030	WASHER SET	1				0.07	0.154
190	12178-56410	SPRING GOVERNOR	1				0.005	0.011
200	18961-32420	CLIP PANEL	4				0.001	0.0022
210	01754-50612	BOLT FLANGE	4				0.005	0.011
220	18961-30860	COVER SIDE	1				7.4	16.28
230	01754-50816	BOLT FLANGE	11				0.011	0.0242
240	18961-31530	CUSHION DOOR	1				0.001	0.0022
250	18961-40300	NOISE ABSORBER	4				0.01	0.022
260	18961-63240	ASSY LOCK DOOR	1				0.05	0.11
270	01754-50612	BOLT FLANGE	1				0.005	0.011

RUBBER PAD



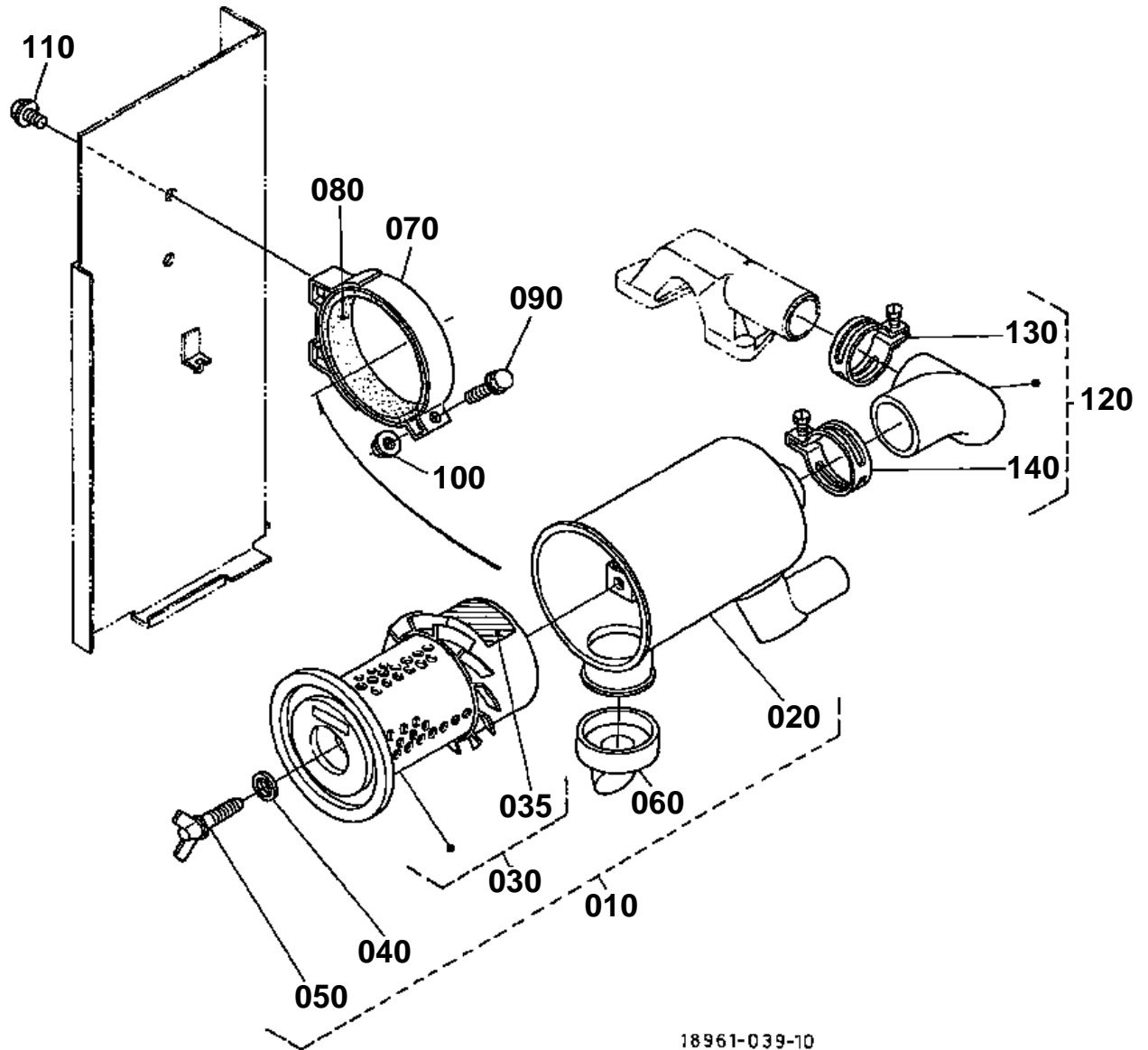


# RUBBER PAD

↔ Interchangeable; ≠ not interchangeable; ← new for old; → old for new

REF.No	Part No.	Description	Q'ty	S.No.	I/C	REMARKS	Weight (kgf)	Weight (lb)
010	18961-40610	PAD	1				0.4	0.88
020	18961-40624	PAD	1				0.7	1.54
030	18961-40630	PAD	1				0.11	0.242
040	18961-40650	PAD	1				0.21	0.462
050	18961-40710	PAD	1				0.45	0.99
060	18961-40720	PAD	1				0.42	0.924
070	18961-40730	PAD	1				0.01	0.022
080	18961-40740	PAD	1				0.01	0.022
090	18961-40750	PAD	1				0.01	0.022
100	18961-40762	PAD	1				0.1	0.22
105	18961-40100	ASSY SPONGE	1				0.4	0.88
110	18961-40110	NOISE ABSORBER	1				0.13	0.286
120	18961-40125	NOISE ABSORBER	1				0.122	0.2684
130	18961-40130	NOISE ABSORBER	1				0.01	0.022
140	18961-40210	NOISE ABSORBER	1				0.07	0.154
150	18961-40220	NOISE ABSORBER	1				0.06	0.132
160	18961-40230	NOISE ABSORBER	1				0.04	0.088

AIR CLEANER



18961-039-10



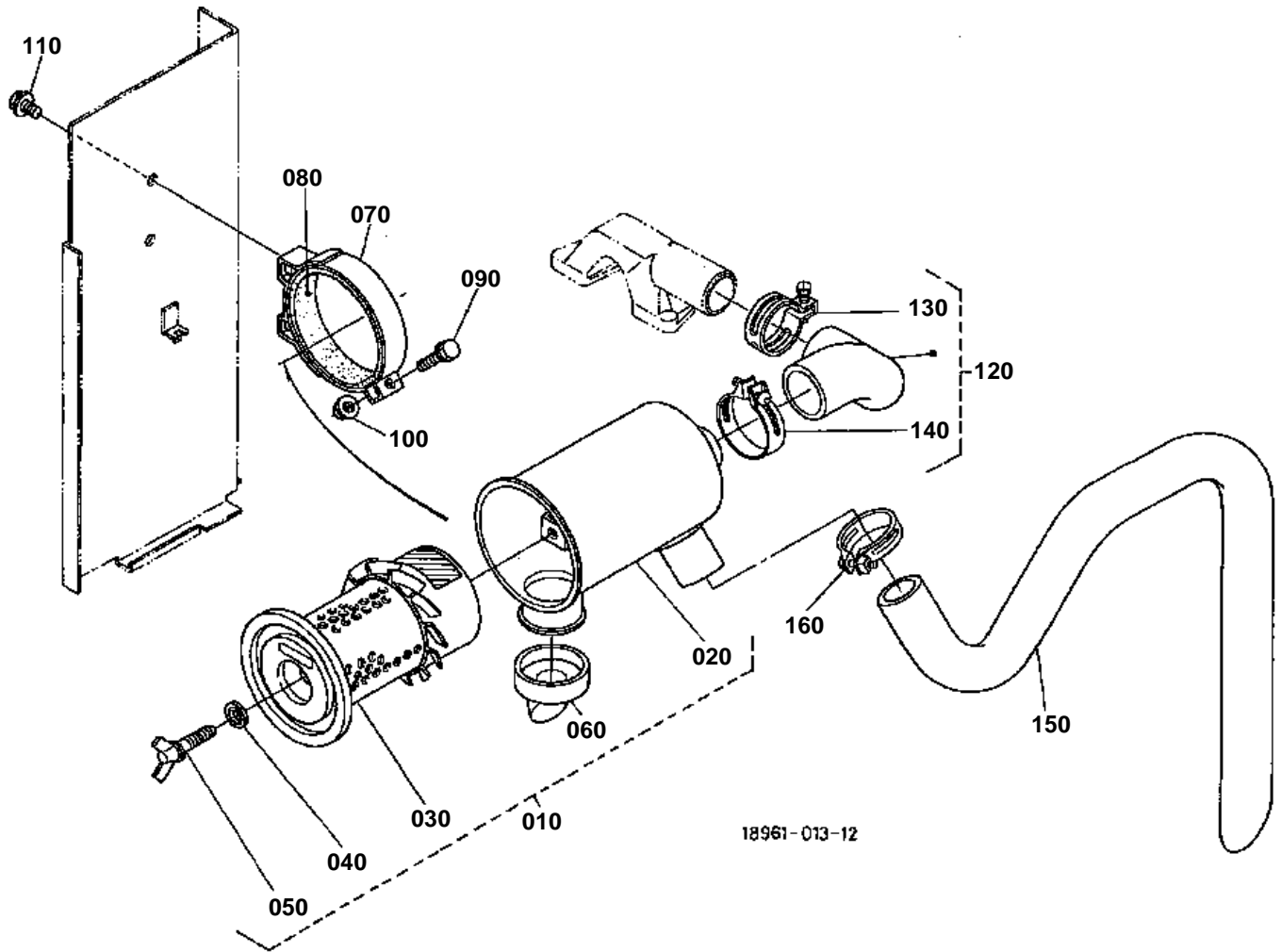
**AIR CLEANER**  
S.No.;<=783565

↔ Interchangeable; ≠ not interchangeable; ← new for old; → old for new

REF.No	Part No.	Description	Q'ty	S.No.	I/C	REMARKS	Weight (kgf)	Weight (lb)
010	18961-11012	ASSY CLEANER AIR	1				1.18	2.596
020	18961-11160	BODY AIR CLEANER	1				0.75	1.65
030	15852-11080	ASSY ELEMENT CLEANER	1				0.45	0.99
035	15227-87480	LABEL ELEMENT A/C	1				0.004	0.0088
040	15221-94430	WASHER WITH RUBBER	1				0.004	0.0088
050	15221-92620	BOLT WING	1				0.04	0.088
060	15852-11470	VALVE	1				0.03	0.066
070	18961-11252	BAND AIR CLEANER	1				0.21	0.462
080	15371-11870	CUSHION	1				0.025	0.055
090	01754-50840	BOLT FLANGE	1				0.02	0.044
100	02751-50080	NUT FLANGE	1				0.006	0.0132
110	01754-50812	BOLT FLANGE	2				0.01	0.022
120	18961-11640	ASSY PIPE INLET	1				0.22	0.484
130	15261-11720	BAND PIPE	1				0.03	0.066
140	15221-11720	BAND PIPE	1				0.03	0.066



AIR CLEANER



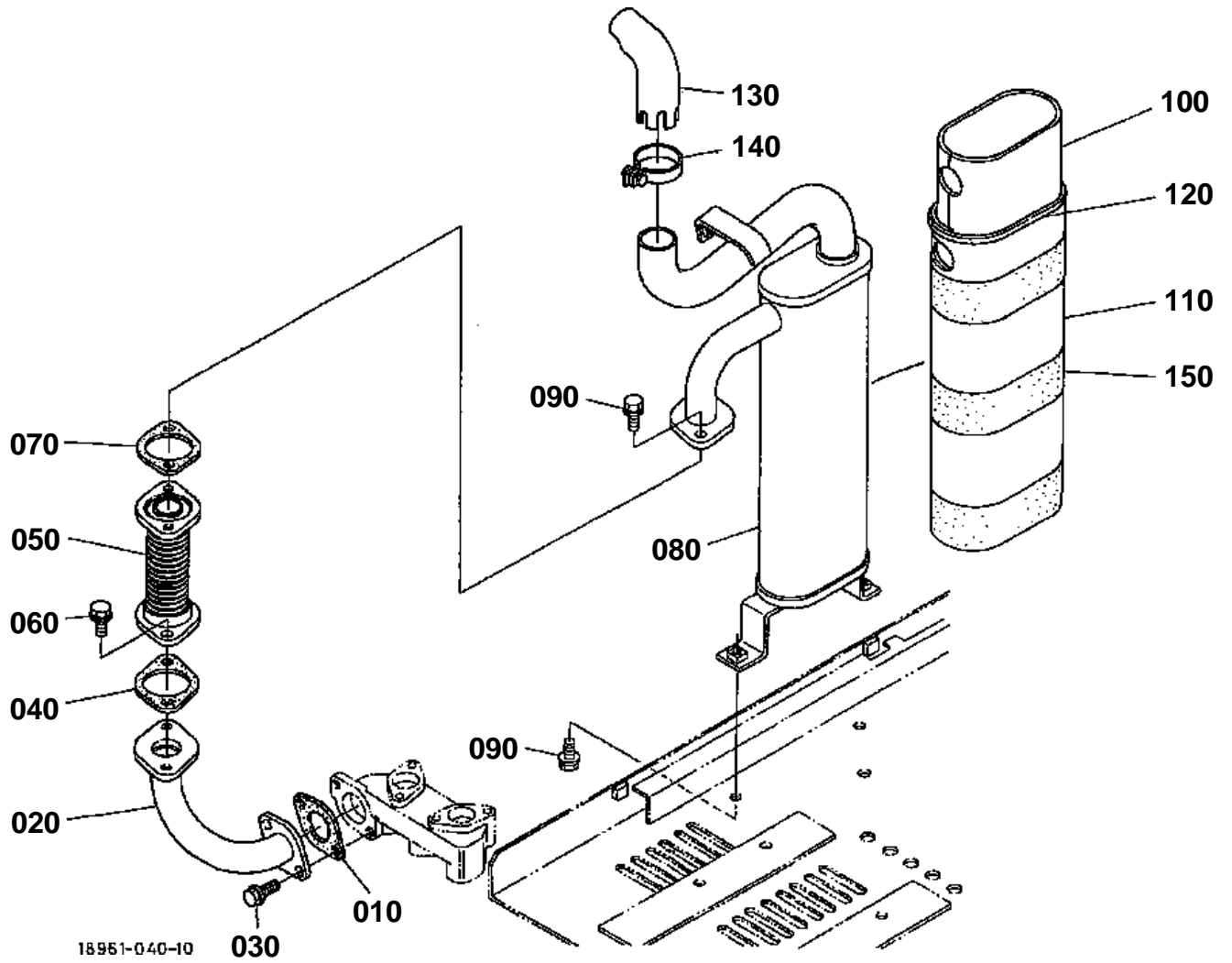


**AIR CLEANER**  
S.No.;>=783566

↔ Interchangeable; ≠ not interchangeable; ← new for old; → old for new

REF.No	Part No.	Description	Q'ty	S.No.	I/C	REMARKS	Weight (kgf)	Weight (lb)
010	68701-42200	ASSY CLEANER AIR	1				1.1	2.42
020	68701-42210	ASSY CASE	1				0.69	1.518
030	16853-11220	ASSY ELEMENT CLEANER	1				0.44	0.968
040	15221-94430	WASHER WITH RUBBER	1				0.004	0.0088
050	15221-92620	BOLT WING	1				0.04	0.088
060	15852-11470	VALVE	1				0.03	0.066
070	18961-11252	BAND AIR CLEANER	1				0.21	0.462
080	15371-11870	CUSHION	1				0.025	0.055
090	01754-50840	BOLT FLANGE	1				0.02	0.044
100	02751-50080	NUT FLANGE	1				0.006	0.0132
110	01754-50812	BOLT FLANGE	2				0.01	0.022
120	18961-11640	ASSY PIPE INLET	1				0.22	0.484
130	15261-11720	BAND PIPE	1				0.03	0.066
140	15221-11720	BAND PIPE	1				0.03	0.066
150	18961-11680	HOSE AIR CLEANER	1				1	2.2
160	15221-11720	CLAMP HOSE	1				0.03	0.066

# MUFFLER

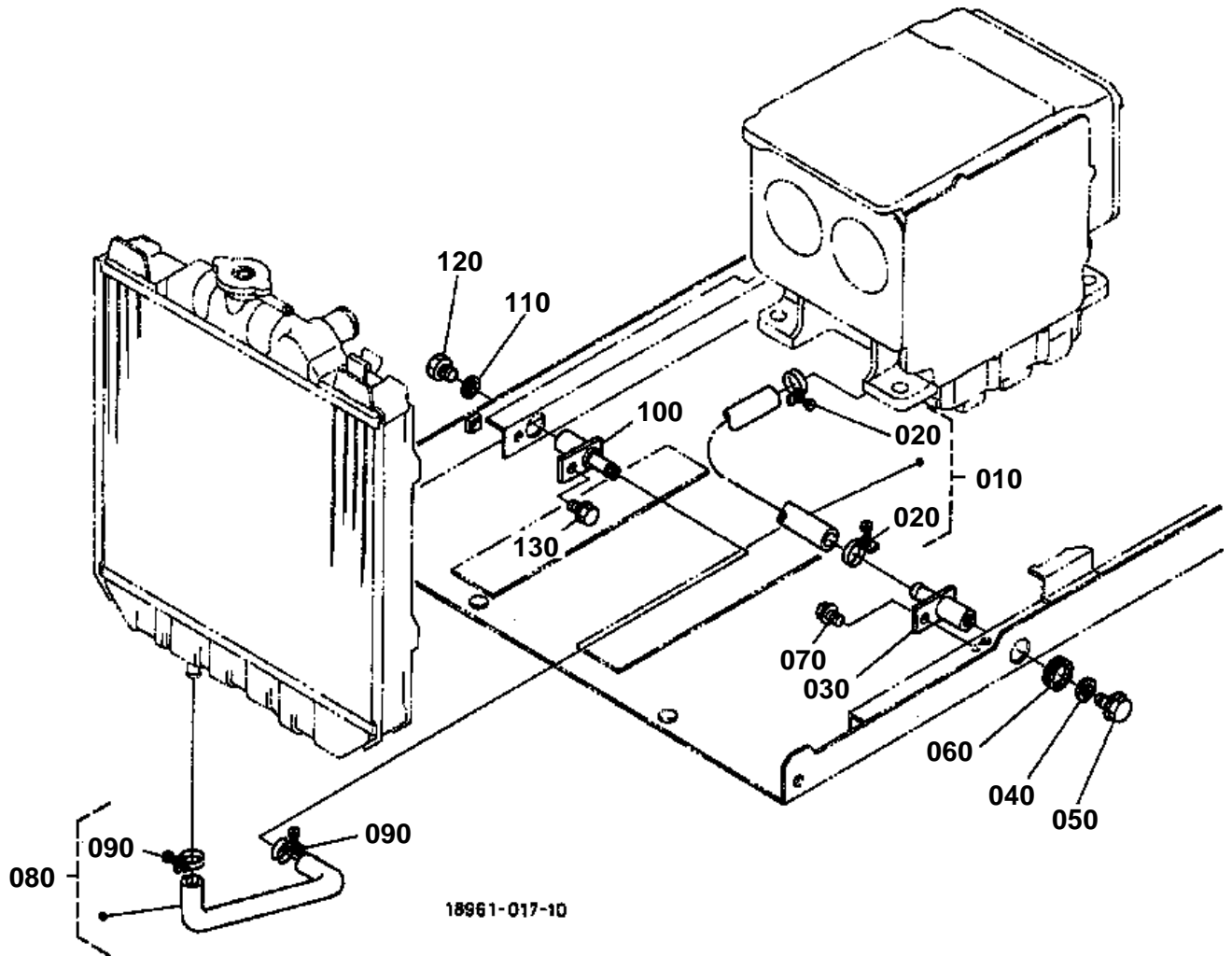


**MUFFLER**

↔ Interchangeable; ≠ not interchangeable; ← new for old; → old for new

REF.No	Part No.	Description	Q'ty	S.No.	I/C	REMARKS	Weight (kgf)	Weight (lb)
010	G3181-12230	GASKET MUFFLER.NA	1				0.008	0.0176
020	18961-12400	EXHAUST PIPE	1				0.5	1.1
030	01754-50816	BOLT FLANGE	2				0.011	0.0242
040	G3181-12240	GASKET MUFFLER.NA	1				0.01	0.022
050	18961-12410	TUBE FLEXIBLE	1				0.27	0.594
060	01754-50816	BOLT FLANGE	2				0.011	0.0242
070	G3181-12240	GASKET MUFFLER.NA	1				0.01	0.022
080	18961-12110	COMP MUFFLER GLS	1				3.66	8.052
090	01754-50816	BOLT FLANGE	4				0.011	0.0242
100	18961-12620	SHEET MUFFLER	1				0.06	0.132
110	18961-12630	SHEET MUFFLER	1				0.15	0.33
120	99999-99999	WIRE	1			OBTAINED LOCALLY	0	0
130	14431-12310	PIPE MUFFLER	1				0.078	0.1716
140	14431-12430	BAND PIPE	1				0.024	0.0528
150	99999-99999	TAPE ALUMI-FOIL	3			OBTAINED LOCALLY	0	0

DRAIN PIPE



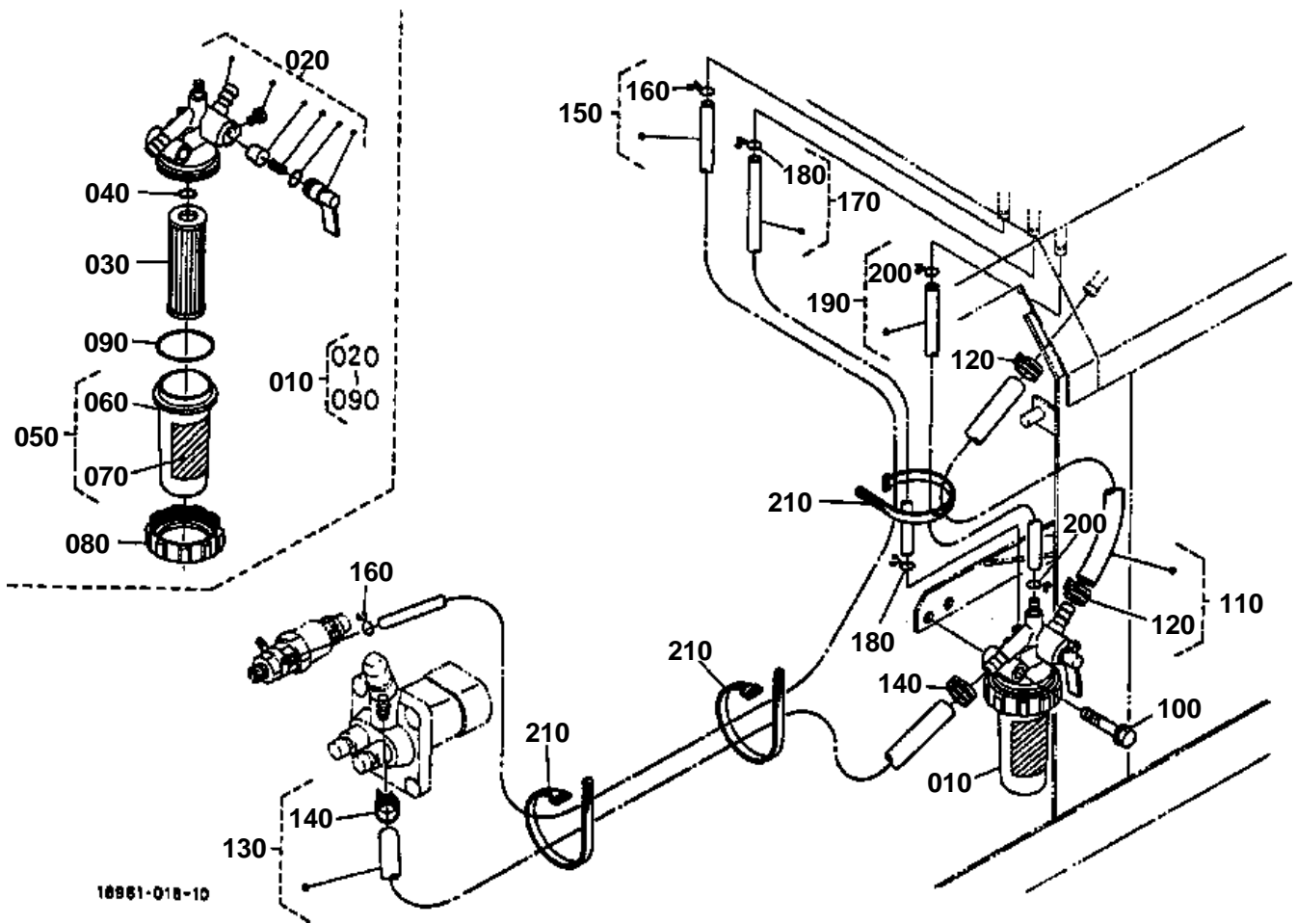


## DRAIN PIPE

↔ Interchangeable; ≠ not interchangeable; ← new for old; → old for new

REF.No	Part No.	Description	Q'ty	S.No.	I/C	REMARKS	Weight (kgf)	Weight (lb)
010	18961-31842	ASSY PIPE DRAIN	1				0.13	0.286
020	09318-89020	CLAMP HOSE	2				0.02	0.044
030	18961-31810	JOINT PIPE 2	1				0.12	0.264
040	04714-00120	GASKET	1				0.001	0.0022
050	13901-33750	PLUG DRAIN	1				0.03	0.066
060	18961-31210	BUSH RUBBER	1				0.005	0.011
070	01754-50816	BOLT FLANGE	1				0.011	0.0242
080	18961-31820	ASSY PIPE WATER	1				0.09	0.198
090	09318-89020	CLAMP HOSE	2				0.02	0.044
100	18961-31800	JOINT WATER PIPE	1				0.12	0.264
110	04714-00120	GASKET	1				0.001	0.0022
120	13901-33750	PLUG DRAIN	1				0.03	0.066
130	01754-50816	BOLT FLANGE	1				0.011	0.0242

FUEL FILTER



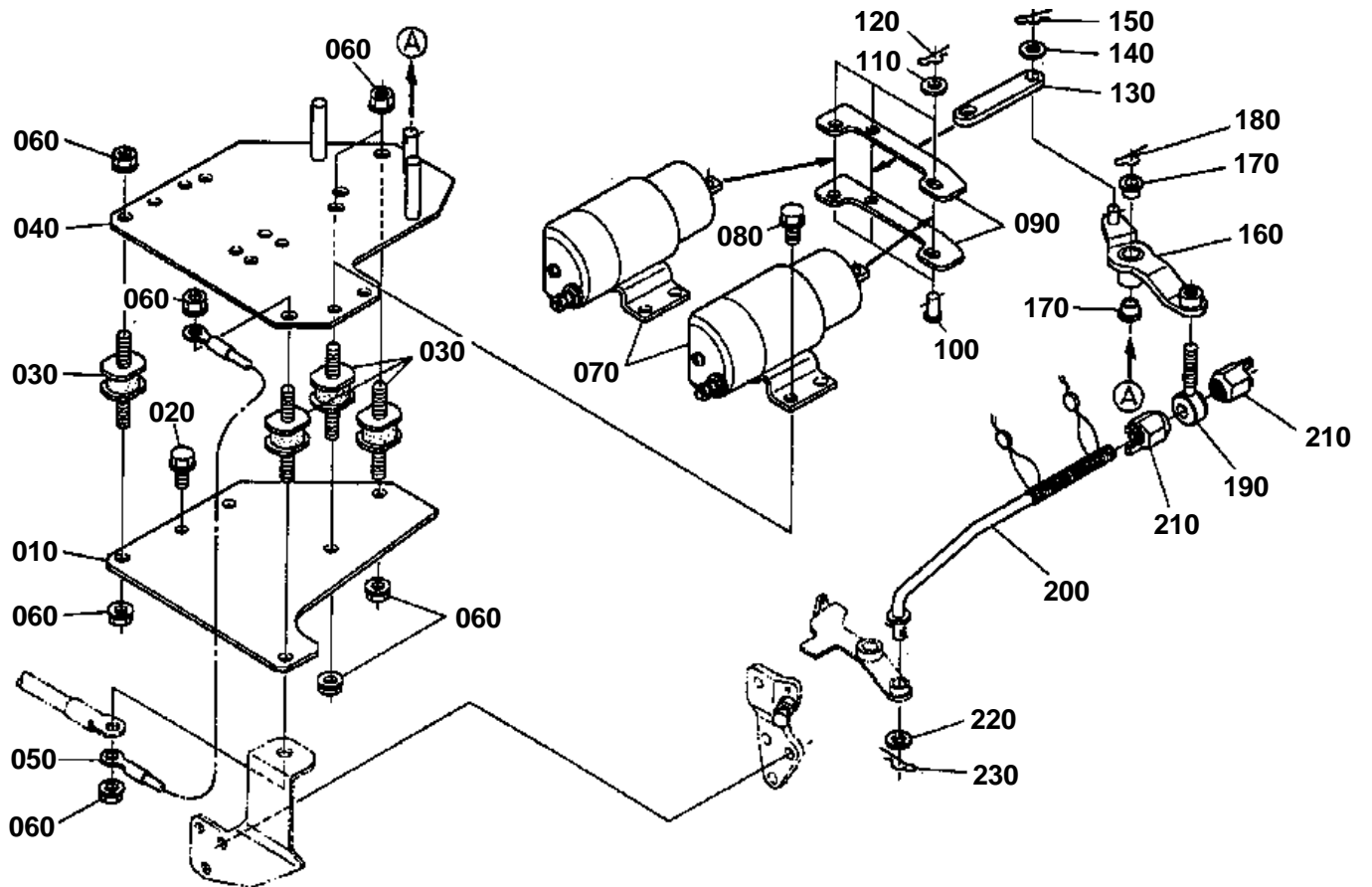
**FUEL FILTER**

↔ Interchangeable; ≠ not interchangeable; ← new for old; → old for new

REF.No	Part No.	Description	Q'ty	S.No.	I/C	REMARKS	Weight (kgf)	Weight (lb)
010	14911-43014	ASSY FILTER FUEL	1				0.327	0.7194
020	14911-43513	COMP.BODY FILTER	1				0.212	0.4664
030	15231-43560	ASSY ELEMENT	1				0.03	0.066
040	14301-43570	O RING FILTER	1				0.001	0.0022
050	15393-43100	ASSY CUP FILTER	1				0.016	0.0352
060	15393-43580	CUP FILTER	1				0.01	0.022
070	16873-88430	LABEL FUEL FILTER	1				0.001	0.0022
080	14301-43590	RING RETAINING	1				0.054	0.1188
090	14301-43650	O RING FILTER CUP	1				0.001	0.0022
100	01754-50840	BOLT FLANGE	1				0.02	0.044
110	18961-42500	ASSY PIPE FUEL	1				0.035	0.077
120	14911-42750	CLIP PIPE	2				0.002	0.0044
130	18961-42550	ASSY PIPE FUEL	1				0.025	0.055
140	14911-42750	CLIP PIPE	2				0.002	0.0044
150	18961-42700	ASSY PIPE RETURN	1				0.035	0.077
160	14971-42750	CLIP PIPE	2				0.001	0.0022
170	18961-42750	ASSY PIPE AIR VENT	1				0.02	0.044
180	14971-42750	CLIP PIPE	2				0.001	0.0022
190	18961-42800	ASSY PIPE AIR VENT	1				0.02	0.044
200	14971-42750	CLIP PIPE	2				0.001	0.0022
210	18411-60570	BINDER	5				0.001	0.0022



SOLENOID



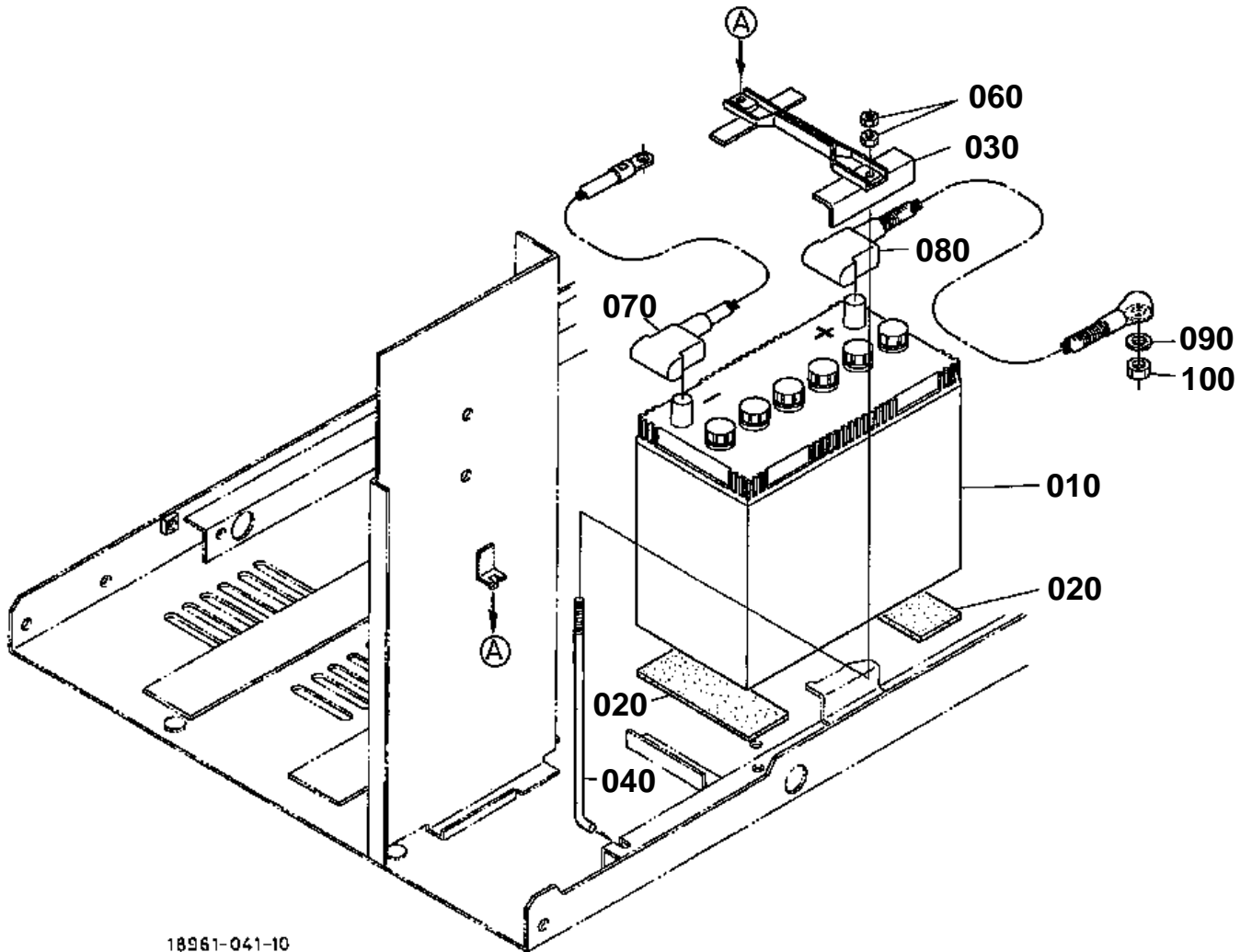
18961-022-10

**SOLENOID**

↔ Interchangeable; ≠ not interchangeable; ← new for old; → old for new

REF.No	Part No.	Description	Q'ty	S.No.	I/C	REMARKS	Weight (kgf)	Weight (lb)
010	18961-15120	BASE ADAPTER	1				1	2.2
020	01754-50612	BOLT FLANGE	2				0.005	0.011
030	14911-41410	CUSHION RUBBER	4				0.039	0.0858
040	18961-15112	COMP BASE SOLENOID	1				0.92	2.024
050	18703-04450	CORD BONDENG	1				0.009	0.0198
060	02751-50080	NUT FLANGE	8				0.006	0.0132
070	18901-15100	ASSY SOLENOID	2				1.54	3.388
080	01754-50612	BOLT FLANGE	8				0.005	0.011
090	18961-15610	LINK	2				0.04	0.088
100	05112-50616	PIN JOINT	3				0.004	0.0088
110	04013-60060	WASHER PLAIN	3				0.001	0.0022
120	05525-60600	PIN SNAP	3				0.001	0.0022
130	18961-15640	LINK	1				0.04	0.088
140	04013-60060	WASHER PLAIN	1				0.001	0.0022
150	05525-60600	PIN SNAP	1				0.001	0.0022
160	18961-15580	LEVER ACCEL.	1				0.095	0.209
170	18961-15700	BEARING SLEEVE	2				0.002	0.0044
180	05525-50800	PIN SNAP	1				0.001	0.0022
190	31351-24310	SCREW ROD-END RH	1				0.035	0.077
200	18961-15550	ROD ACCEL.	1				0.08	0.176
210	18901-15510	NUT ADJUSTING	2				0.015	0.033
220	04013-60080	WASHER PLAIN	1				0.002	0.0044
230	05525-50800	PIN SNAP	1				0.001	0.0022

BATTERY



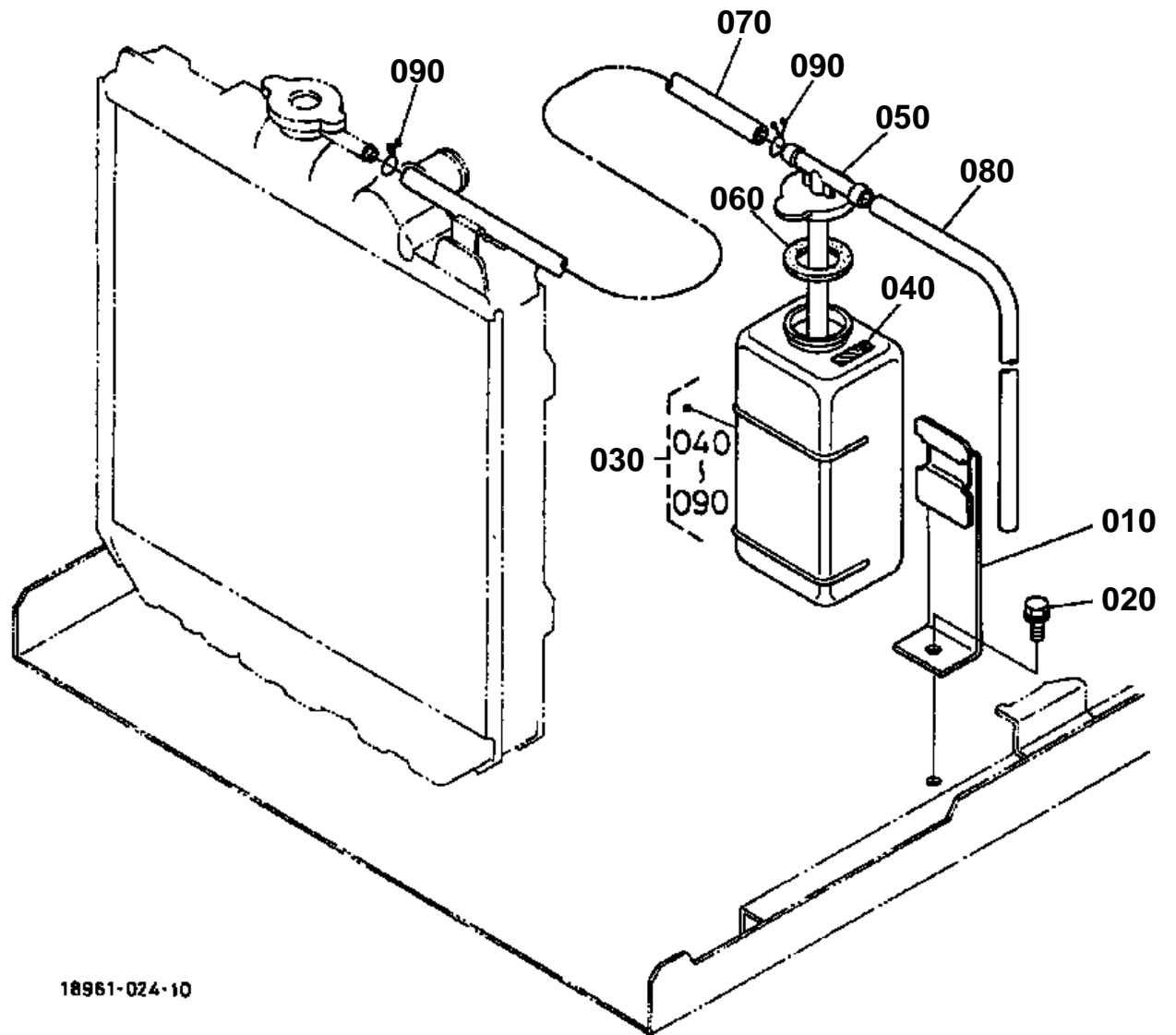
18961-041-10

**BATTERY**

↔ Interchangeable; ≠ not interchangeable; ← new for old; → old for new

REF.No	Part No.	Description	Q'ty	S.No.	I/C	REMARKS	Weight (kgf)	Weight (lb)
010	16933-33100	BATTERY DRY	1				8.8	19.36
020	18901-31200	RUB-CUSHION BATTERY	2				0.01	0.022
030	18961-33270	RETAINER BATTERY	1				0.18	0.396
040	18961-33290	BOLT BATTERY	1				0.04	0.088
050	99999-99999	BLANK	0				0	0
060	02056-50060	NUT	2				0.002	0.0044
070	18961-41720	CORD BATTERY(-)	1				0.25	0.55
080	18961-65560	CORD BATTERY(+)	1				0.4	0.88
090	04512-60080	WASHER SPRING	1				0.002	0.0044
100	02056-50080	NUT	1				0.005	0.011

RESERVE TANK



18961-024-10

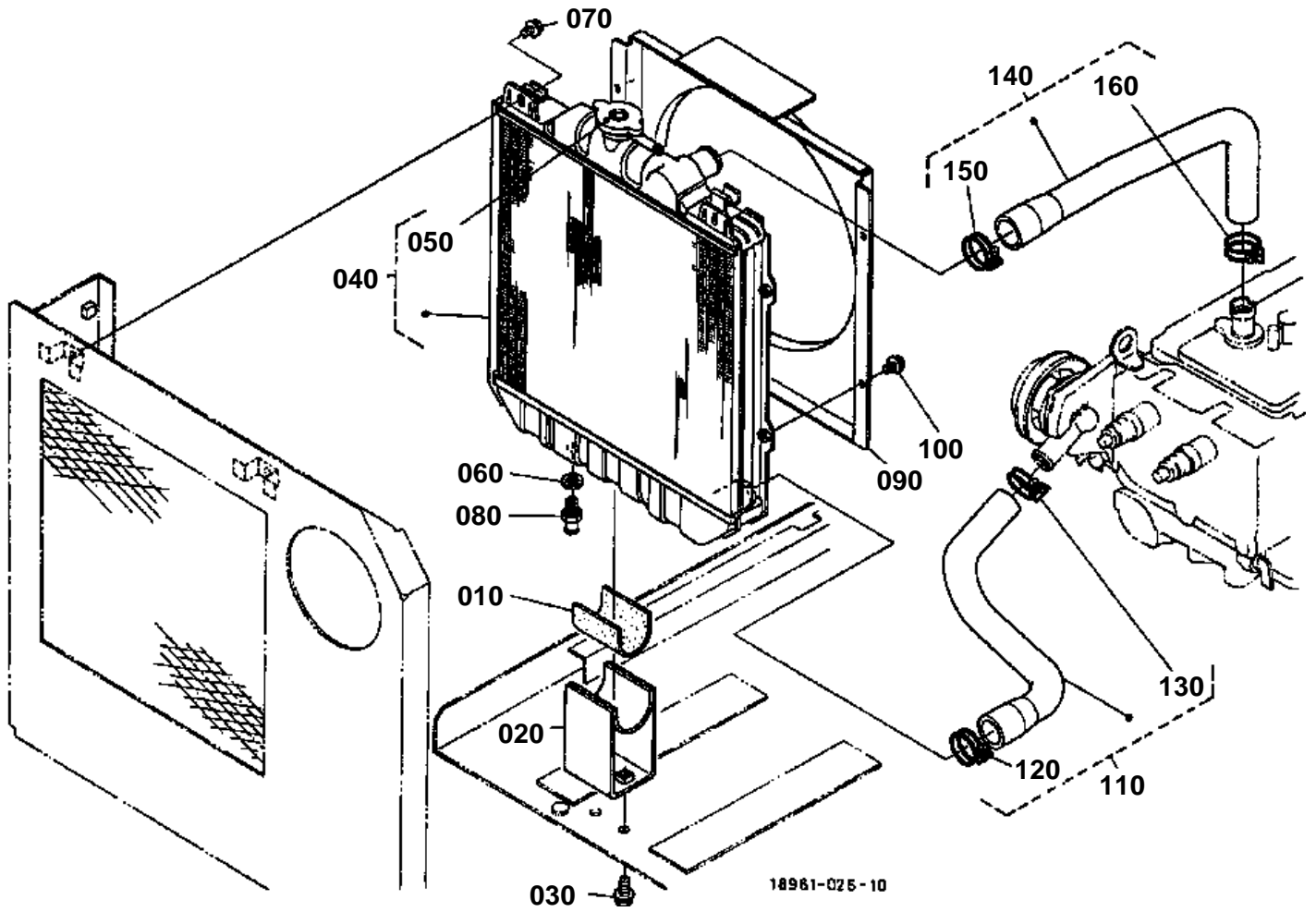


## RESERVE TANK

↔ Interchangeable; ≠ not interchangeable; ← new for old; → old for new

REF.No	Part No.	Description	Q'ty	S.No.	I/C	REMARKS	Weight (kgf)	Weight (lb)
010	18961-72460	SUPPORTER RESER/TANK	1				0.22	0.484
020	01754-50816	BOLT FLANGE	1				0.011	0.0242
030	15531-72402	ASSY TANK RESERVE	1				0.29	0.638
040	15501-88210	LABEL CAUTION	1				0.005	0.011
050	15531-72422	CAP	1				0.001	0.0022
060	15531-72432	GASKET	1				0.002	0.0044
070	15471-72440	PIPE WATER OVER FLOW	1				0.05	0.11
080	15531-72442	PIPE WATER OVER FLOW	1				0.019	0.0418
090	15501-72470	CLIP PIPE	2				0.005	0.011

# RADIATOR



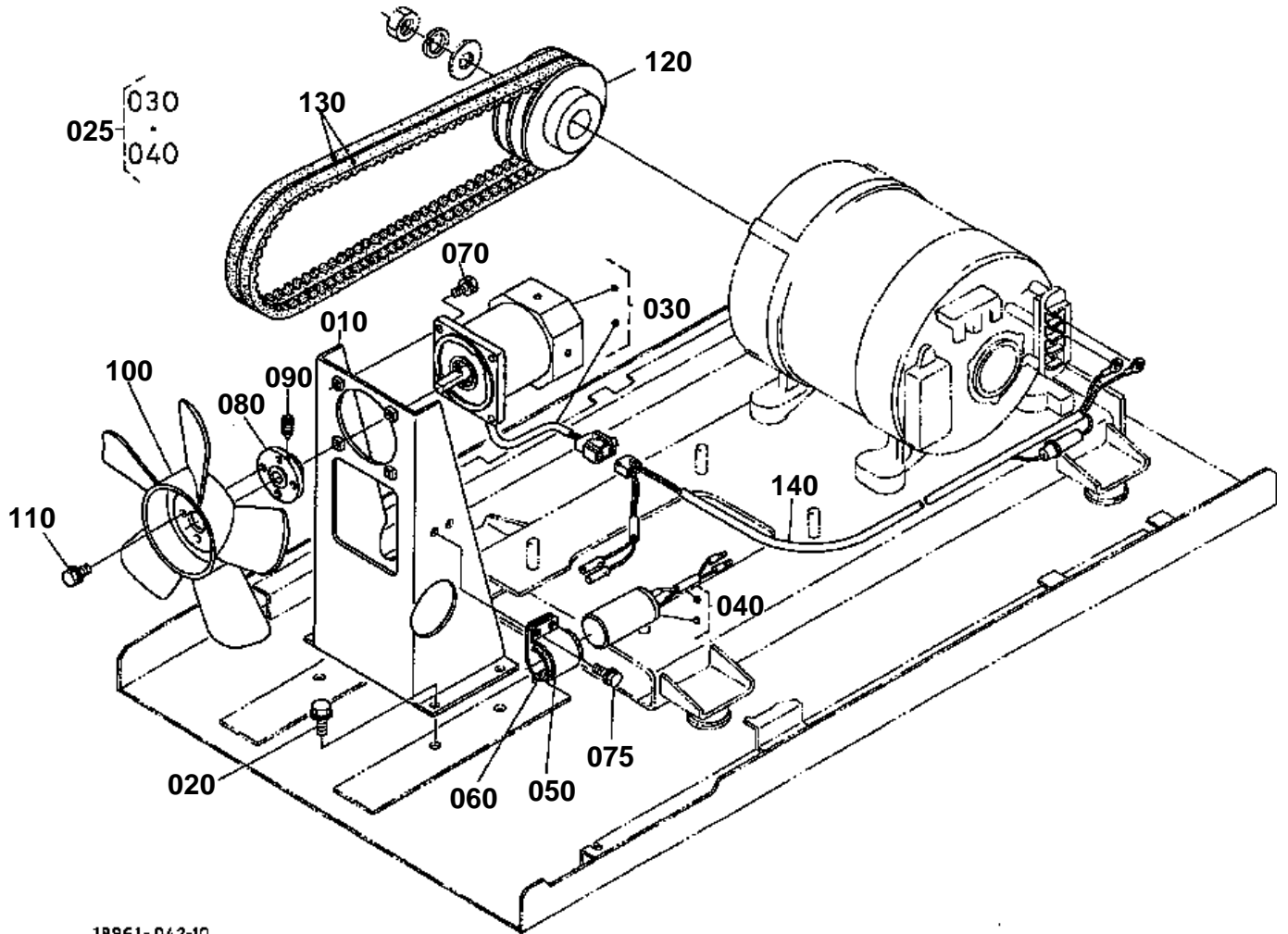
**RADIATOR**

↔ Interchangeable; ≠ not interchangeable; ← new for old; → old for new

REF.No	Part No.	Description	Q'ty	S.No.	I/C	REMARKS	Weight (kgf)	Weight (lb)
010	18961-31200	RUBBER RADIATOR S/T	1				0.025	0.055
020	18961-30820	STOPPER RADIATOR	1				0.43	0.946
030	01754-50816	BOLT FLANGE	2				0.011	0.0242
040	18961-72060	ASSY RADIATOR	1				4	8.8
050	18961-72020	ASSY CAP	1				0.05	0.11
060	15231-96690	GASKET	1				0.001	0.0022
070	01754-50612	BOLT FLANGE	2				0.005	0.011
080	18961-73170	JOINT	1				0.4	0.88
090	18971-74120	SHROUD FAN E	1	<=774496			1	2.2
090	18961-74122	SHROUD FAN	1	>=774497	←		0	0
100	01754-50612	BOLT FLANGE	4				0.005	0.011
110	18961-72850	ASSY PIPE WATER	1				0.214	0.4708
120	09318-89036	CLAMP HOSE	1				0.025	0.055
130	09318-89033	CLAMP HOSE	1				0.03	0.066
140	18961-72950	ASSY PIPE WATER	1				0.05	0.11
150	09318-89036	CLAMP HOSE	1				0.025	0.055
160	09318-89033	CLAMP HOSE	1				0.03	0.066



COOLING FAN



18961-042-10

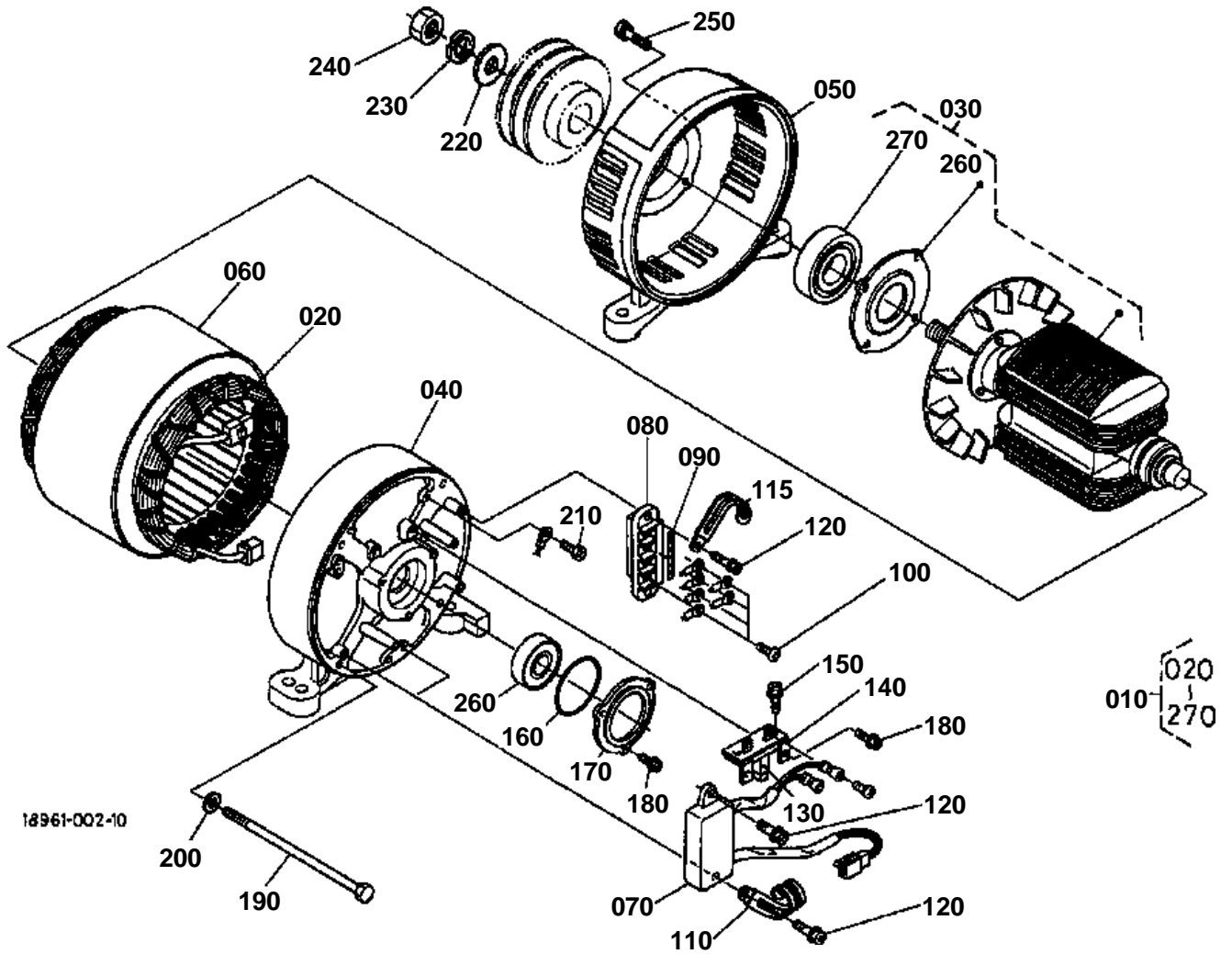


## COOLING FAN

↔ Interchangeable; ≠ not interchangeable; ← new for old; → old for new

REF.No	Part No.	Description	Q'ty	S.No.	I/C	REMARKS	Weight (kgf)	Weight (lb)
010	18961-31280	STAND MOTOR	1				2.12	4.664
020	01754-50816	BOLT FLANGE	4				0.011	0.0242
025	18961-74700	ASSY MOTOR FAN-V	1				3.1	6.82
030	18961-74710	COMP MOTOR V	1				2.6	5.72
040	18961-74720	COMP CONDENSER	1				0.08	0.176
050	18961-74650	BAND	1				0.04	0.088
060	18961-74660	CUSHION	1				0.004	0.0088
070	01023-50620	BOLT	4				0.006	0.0132
075	01202-50616	BOLT	2				0.006	0.0132
080	18961-74150	FLANGE FAN	1				0.16	0.352
090	03650-50612	SCREW SET	1				0.015	0.033
100	18961-74110	FAN SP	1				0.28	0.616
110	01754-50612	BOLT FLANGE	4				0.005	0.011
120	18961-10900	PULLEY V	1				1.8	3.96
130	18961-97020	V BELT	2				0.28	0.616
140	18961-03810	HARNES MOTOR	1				0.12	0.264

GENERATOR

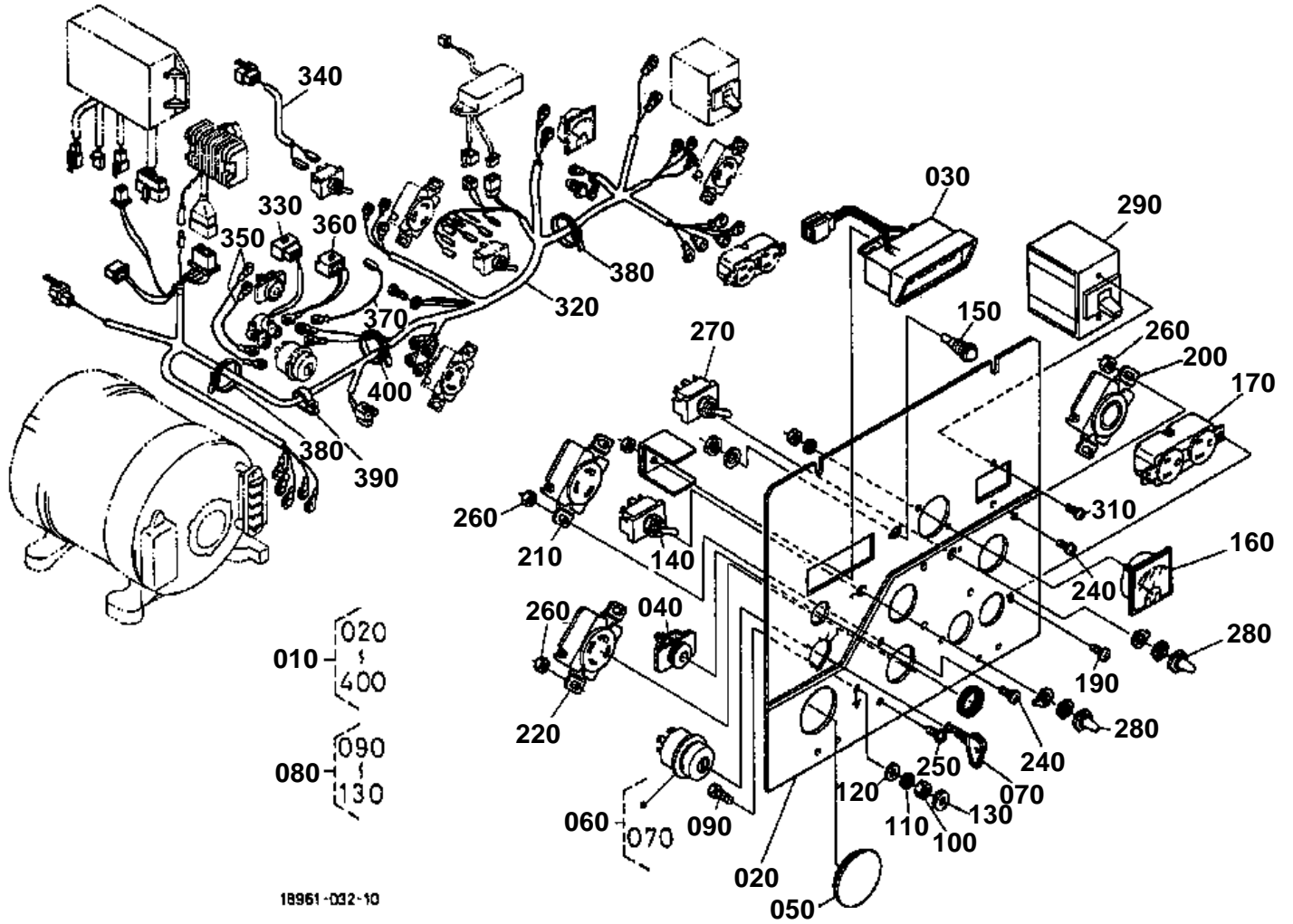


**GENERATOR**

↔ Interchangeable; ≠ not interchangeable; ← new for old; → old for new

REF.No	Part No.	Description	Q'ty	S.No.	I/C	REMARKS	Weight (kgf)	Weight (lb)
010	18961-02150	ASSY GENERATOR	1				30	66
020	18961-02400	ASSY STATOR	1				16	35.2
030	18961-02300	ASSY ROTOR	1				15	33
040	18961-02610	BRACKET REAR	1				1.14	2.508
050	18961-02210	BRACKET FRONT	1				1.5	3.3
060	18961-02510	BAND COVER	1				0.48	1.056
070	18961-02800	ASSY CONTROL AVR	1				0.13	0.286
080	18801-10750	CONNECTOR	1				0.075	0.165
090	18715-03970	MARK	1				0.001	0.0022
100	18813-04390	SCREW	8				0.003	0.0066
110	18103-02850	PLATE	1				0.005	0.011
115	18551-02880	PLATE	1				0.001	0.0022
120	18609-02940	BOLT	4				0.005	0.011
130	18801-02700	ASSY HOLDER BRUSH	1				0.066	0.1452
140	18961-03350	SUPPORT L	2				0.01	0.022
150	18801-20240	BOLT	2				0.004	0.0088
160	18801-10530	O RING	1				0.002	0.0044
170	18961-10580	COVER BEARING	1				0.05	0.11
180	18901-15780	SCREW	5				0.04	0.088
190	18803-91020	BOLT	4				0.036	0.0792
200	04012-50060	WASHER PLAIN	4				0.001	0.0022
210	18801-02560	BOLT	1				0.001	0.0022
220	18801-10960	WASHER	1				0.021	0.0462
230	18801-10970	WASHER SPRING	1				0.017	0.0374
240	18801-10950	NUT	1				0.032	0.0704
250	18801-10590	BOLT	4				0.006	0.0132
260	18961-10560	BEARING	1				0.15	0.33
270	18806-10560	BEARING REAR	1				0.35	0.77

CONTROL PANEL

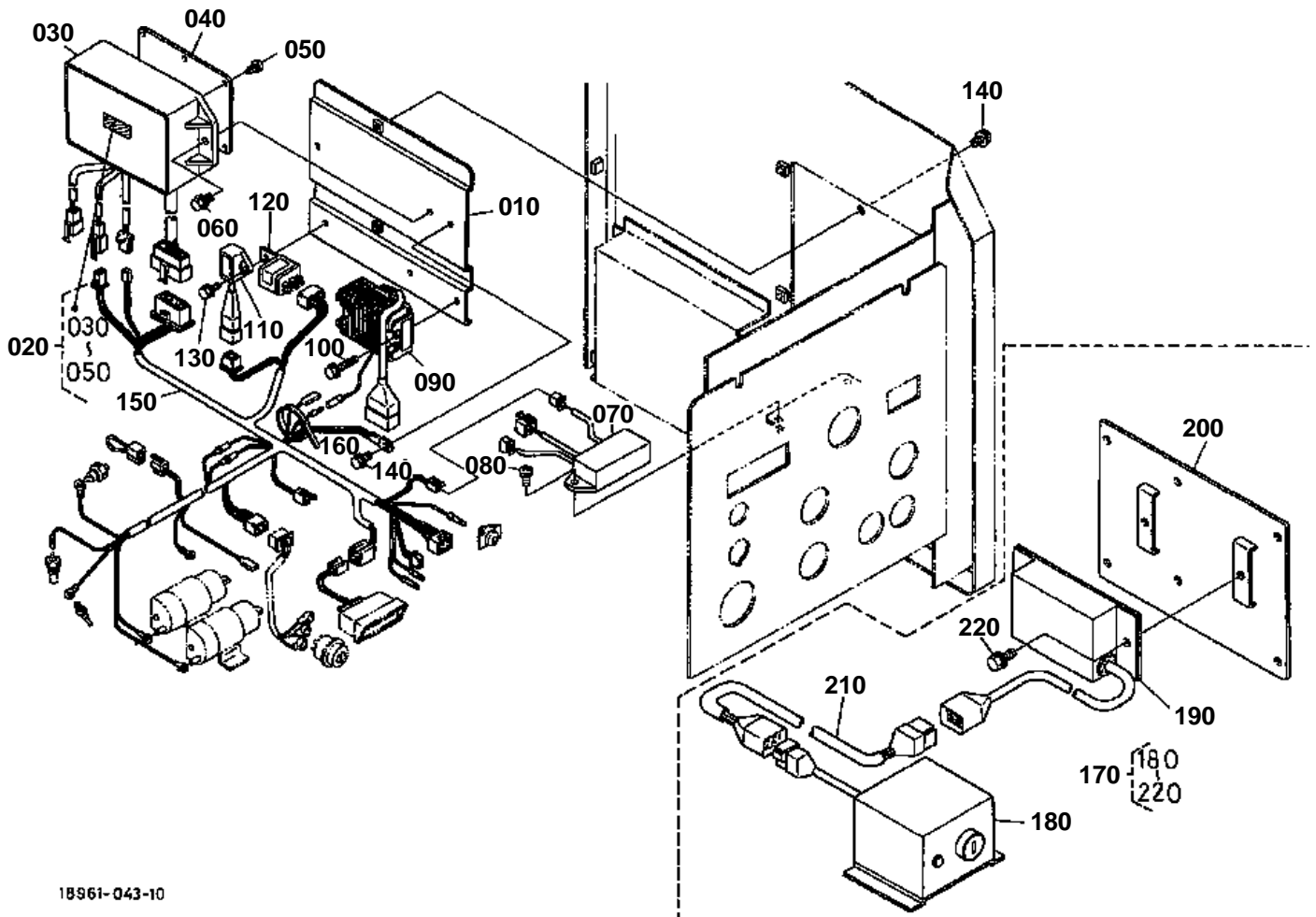


18961-032-10

**CONTROL PANEL**

↔ Interchangeable; ≠ not interchangeable; ← new for old; → old for new

REF.No	Part No.	Description	Q'ty	S.No.	I/C	REMARKS	Weight (kgf)	Weight (lb)
010	18961-03153	ASSY PANEL	1				4.2	9.24
020	18961-03223	PLATE PANEL	1				2.1	4.62
030	18961-03420	BOX PILOT	1				0.08	0.176
040	52170-41850	INDICATOR GLOW PLUG	1				0.065	0.143
050	36330-87470	COVER RUBBER	1				0.014	0.0308
060	15377-63610	ASSY SWITCH STARTER	2				0.275	0.605
070	66711-55240	KEY STARTER	2				0.02	0.044
080	18961-61800	ASSY TERMINAL EARTH	1				0.018	0.0396
090	18961-61820	BOLT EARTH	1				0.001	0.0022
100	18961-61830	NUT	1				0.01	0.022
110	04512-60060	WASHER SPRING	1				0.001	0.0022
120	04012-50060	WASHER PLAIN	1				0.001	0.0022
130	18961-61810	NUT	1				0.01	0.022
140	18961-60510	SWITCH	1				0.04	0.088
150	18961-61210	ASSY LAMP PILOT	1				0.01	0.022
160	18961-03550	V METER	1				0.05	0.11
170	18620-03430	RECEPTACLE(GFCI)	1				0.125	0.275
180	99999-99999	BLANK	0				0	0
190	18961-96400	SCREW WITH WASHER	2				0.002	0.0044
200	18961-03432	RECEPTACLE(L-R)	1				0.125	0.275
210	18961-03380	RECEPTACLE(L-R)	1				0.12	0.264
220	18961-03402	RECEPTACLE(L-R)	1				0.125	0.275
230	99999-99999	BLANK	0				0	0
240	18961-96400	SCREW WITH WASHER	5				0.002	0.0044
250	18961-96410	SCREW WITH WASHER	1				0.003	0.0066
260	02054-50040	NUT	6				0.001	0.0022
270	18961-03870	SWITCH V-SELECT	1				0.08	0.176
280	18961-60520	CAP WATER PROOF	2				0.005	0.011
290	18961-03510	BREAKER	1				0.28	0.616
300	99999-99999	BLANK	0				0	0
310	18961-96400	SCREW WITH WASHER	2				0.002	0.0044
320	18961-20340	WIRE HARNESS PANEL	1				0.6	1.32
330	18961-20360	HARNESS PANEL	1				0.05	0.11
340	18961-20370	HARNESS PANEL	1				0.011	0.0242
350	18961-20380	HARNESS PANEL	2				0.022	0.0484
360	18961-20390	HARNESS PANEL	1				0.015	0.033
370	18961-20410	HARNESS PANEL	1				0.005	0.011
380	18901-60570	BINDER	5				0.003	0.0066
390	18961-20490	CLIP NYLON	1				0.002	0.0044
400	18411-60570	BINDER	5				0.001	0.0022



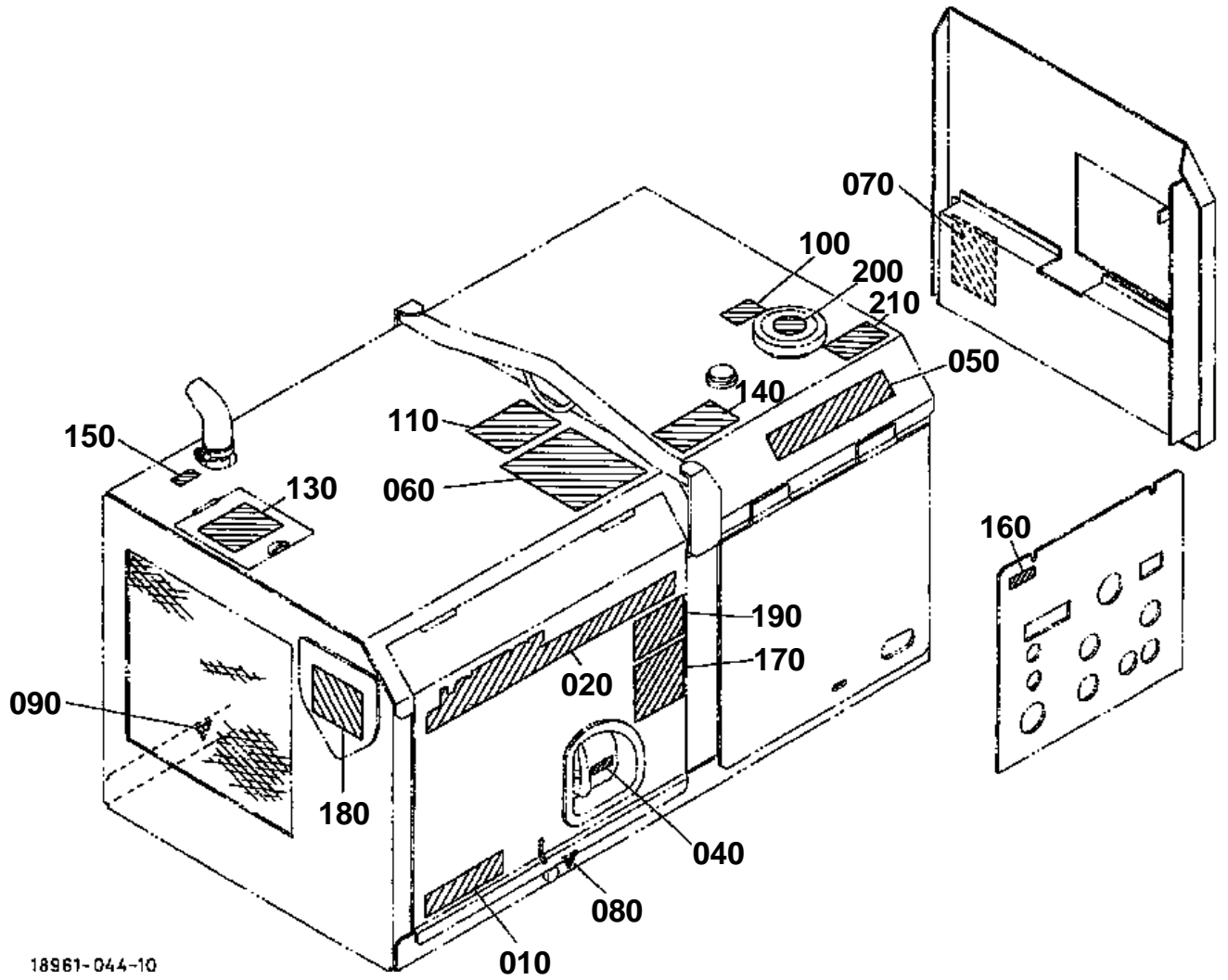
18961-043-10

**EMERGENCY UNIT**

↔ Interchangeable; ≠ not interchangeable; ← new for old; → old for new

REF.No	Part No.	Description	Q'ty	S.No.	I/C	REMARKS	Weight (kgf)	Weight (lb)
010	18961-31150	PLATE UNIT	1				0.64	1.408
020	18961-70100	UNIT EMERGENCY	1				0.465	1.023
030	18901-70110	CASE	1				0.175	0.385
040	18901-70120	COVER	1				0.005	0.011
050	18901-70130	SCREW	6				0.002	0.0044
060	01754-50612	BOLT FLANGE	2				0.005	0.011
070	18961-70050	SENSOR	1				0.14	0.308
080	03024-50514	SCREW WITH WASHER	2				0.003	0.0066
090	15181-64602	COMP.REGULATOR	1				0.24	0.528
100	01754-50630	BOLT FLANGE	2				0.01	0.022
110	15181-60190	INDICATOR UNIT CH/GE	1				0.15	0.33
120	15181-60200	RELAY	1	<=774496			0.045	0.099
120	17478-60220	COMP RELAY B	1	>=774497	≠		0.028	0.0616
130	01754-50612	BOLT FLANGE	1				0.005	0.011
140	01754-50612	BOLT FLANGE	3				0.005	0.011
150	18961-03803	WIRE HARNESS	1	<=774496			0	0
150	18961-03804	WIRE HARNESS	1	>=774497	≠		0.4	0.88
160	18901-60570	BINDER	7				0.003	0.0066
170	18961-63250	ASSY REMORT CONTROL	1			OPTION	6.58	14.476
180	18961-63260	ASSY BOX SWITCH	1			OPTION	0.87	1.914
190	18961-63270	ASSY BOX RELAY	1			OPTION	1.06	2.332
200	18961-30220	COVER FRONT	1			OPTION	1	2.2
210	18961-63320	CABLE REMORT CONTROL	1			OPTION	4.08	8.976
220	01754-50612	BOLT FLANGE	2			OPTION	0.005	0.011



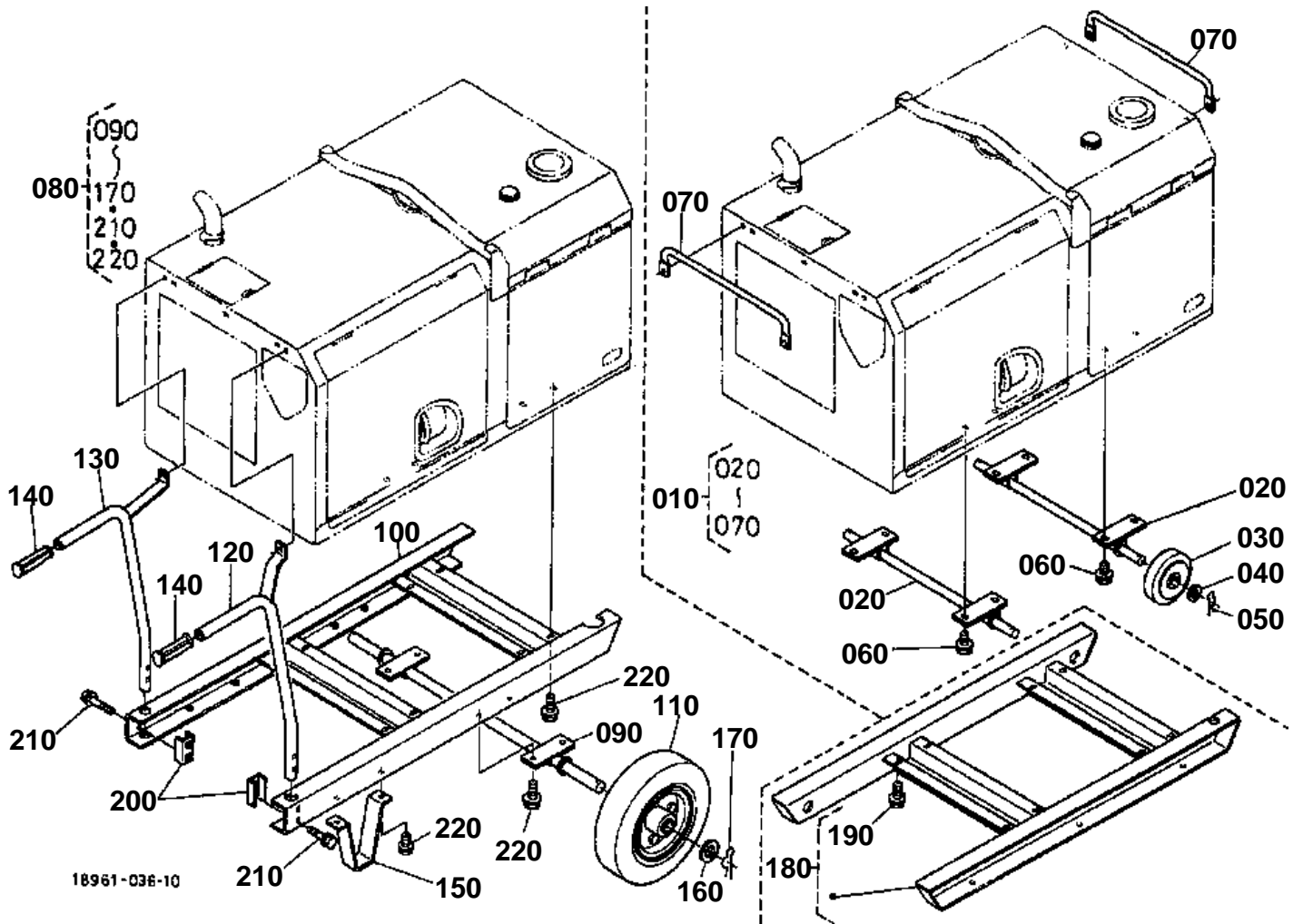


18961-044-10

**LABEL**

↔ Interchangeable; ≠ not interchangeable; ← new for old; → old for new

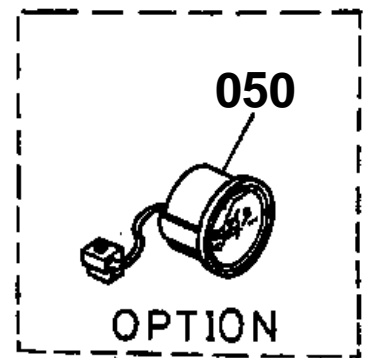
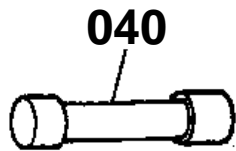
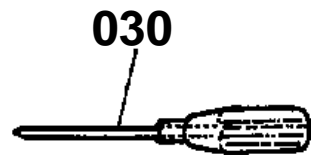
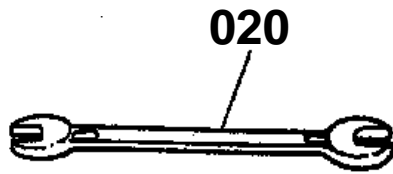
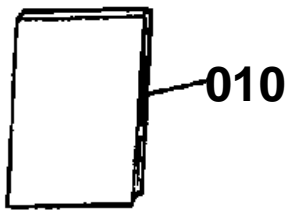
REF.No	Part No.	Description	Q'ty	S.No.	I/C	REMARKS	Weight (kgf)	Weight (lb)
010	18961-51112	MARK KUBOTA	1				0.001	0.0022
020	18961-50250	LABEL LOWBOY	1				0.002	0.0044
030	99999-99999	BLANK	0				0	0
040	18901-50630	LABEL HANDLE	1				0.003	0.0066
050	18961-50000	LABEL MODEL	1				0.006	0.0132
060	18961-50620	LABEL INSTRUCTION	1				0.007	0.0154
070	18961-50112	NAME PLATE	1				0.001	0.0022
080	18901-51350	LABEL DRAIN	1				0.003	0.0066
090	18961-51350	LABEL DRAIN	1				0.001	0.0022
100	18901-50900	LABEL FUEL	1				0.001	0.0022
110	18443-50070	LABEL PROHIBITION	1				0.003	0.0066
120	99999-99999	BLANK	0				0	0
130	18961-51450	LABEL RADIATOR	1				0.002	0.0044
140	18961-51212	LABEL	1				0.002	0.0044
150	TA040-49580	LABEL MUFFLER	1				0.001	0.0022
160	18430-87960	NAME PLATE SERIAL	1				0.003	0.0066
170	18961-87210	LABEL	1				0.002	0.0044
180	18961-88452	LABEL AIR CLEANER	1				0.002	0.0044
190	18961-87310	LABEL OIL	1				0.001	0.0022
200	36919-56400	MARK RED(FUEL CAP)	1				0.001	0.0022
210	19426-87903	LABEL	1				0.001	0.0022



**DOLLY**

↔ Interchangeable; ≠ not interchangeable; ← new for old; → old for new

REF.No	Part No.	Description	Q'ty	S.No.	I/C	REMARKS	Weight (kgf)	Weight (lb)
010	18961-63702	ASSY DOLLY	1				0	0
020	18961-30460	COMP.AXLE	2				2.18	4.796
030	18961-30450	WHEEL	4				0.545	1.199
040	04014-50180	WASHER PLAIN	4				0.011	0.0242
050	05515-51600	PIN SNAP	4				0.007	0.0154
060	01754-50816	BOLT FLANGE	8				0.011	0.0242
070	18961-63800	ROD LIFT	2				0.53	1.166
080	18961-63402	ASSY DOLLY	1				0	0
090	18961-30480	COMP.AXLE	1				4	8.8
100	18961-63410	FRAME WHEEL-KIT	1				21	46.2
110	18961-30470	WHEEL	2				2.5	5.5
120	18961-63502	HANDLE RS	1				1.4	3.08
130	18961-63552	HANDLE LS	1				1.36	2.992
140	64135-41220	GRIP HANDLE	2				0.065	0.143
150	18961-63610	STAND FRAME	2				0.6	1.32
160	04011-50250	WASHER PLAIN	2				0.027	0.0594
170	05515-51600	PIN SNAP	2				0.007	0.0154
180	18961-63000	ASSY SKID	1				19.6	43.12
190	01754-50816	BOLT FLANGE	8				0.011	0.0242
200	18961-63620	HOLDER HANDLE	2				0.11	0.242
210	01754-50850	BOLT FLANGE	4				0.02	0.044
220	01754-50816	BOLT FLANGE	16				0.011	0.0242



18961-037-20

**ACCESSORIES**

↔ Interchangeable; ≠ not interchangeable; ← new for old; → old for new

REF.No	Part No.	Description	Q'ty	S.No.	I/C	REMARKS	Weight (kgf)	Weight (lb)
010	18961-89117	MANUAL INSTRUCTION	1	<=790953			0.084	0.1848
010	18961-89100	MANUAL INSTRUCTION	1	>=790954	≠		0	0
020	07012-11417	SPANNER	1				0.084	0.1848
030	07115-56143	SCREWDRIVER CROSS	1				0.04	0.088
040	18108-03480	FUSE	3				0.003	0.0066
050	18961-61350	ASSY METER HOUR	1				0.1	0.22