

# Instructions for Parts Books

The heading at the top of the page will be the same for the picture of the parts as it is for the page with the part numbers.

Definition of column headings on part number pages:

**REF.No** → The number referring to the part on the picture page of the parts book.

**Part No.** → The number assigned to this part at the time of printing the parts book.

**Description** → Description of part.

**Q'ty** → Quantity of part used on that page.

**S.No.** → Serial number range of the equipment that this part will fit.

>= Your serial number should be greater than or equal to the number shown.

<= Your serial number should be lesser than or equal to the serial number shown.

**I/C** → Interchangeability of part shown.

↔ The part shown will work for the older and later serial number.

# The part shown is not interchangeable with the other serial number.

← new for old

→ old for new

**Remarks** → Notes about this particular part. Sometimes this may say except [FR] or [CA]

## Note about Country Codes:

The parts books we use in the United States of America may also contain information about a part that would be different in another country. It is important that you are aware of the country codes in some instances.

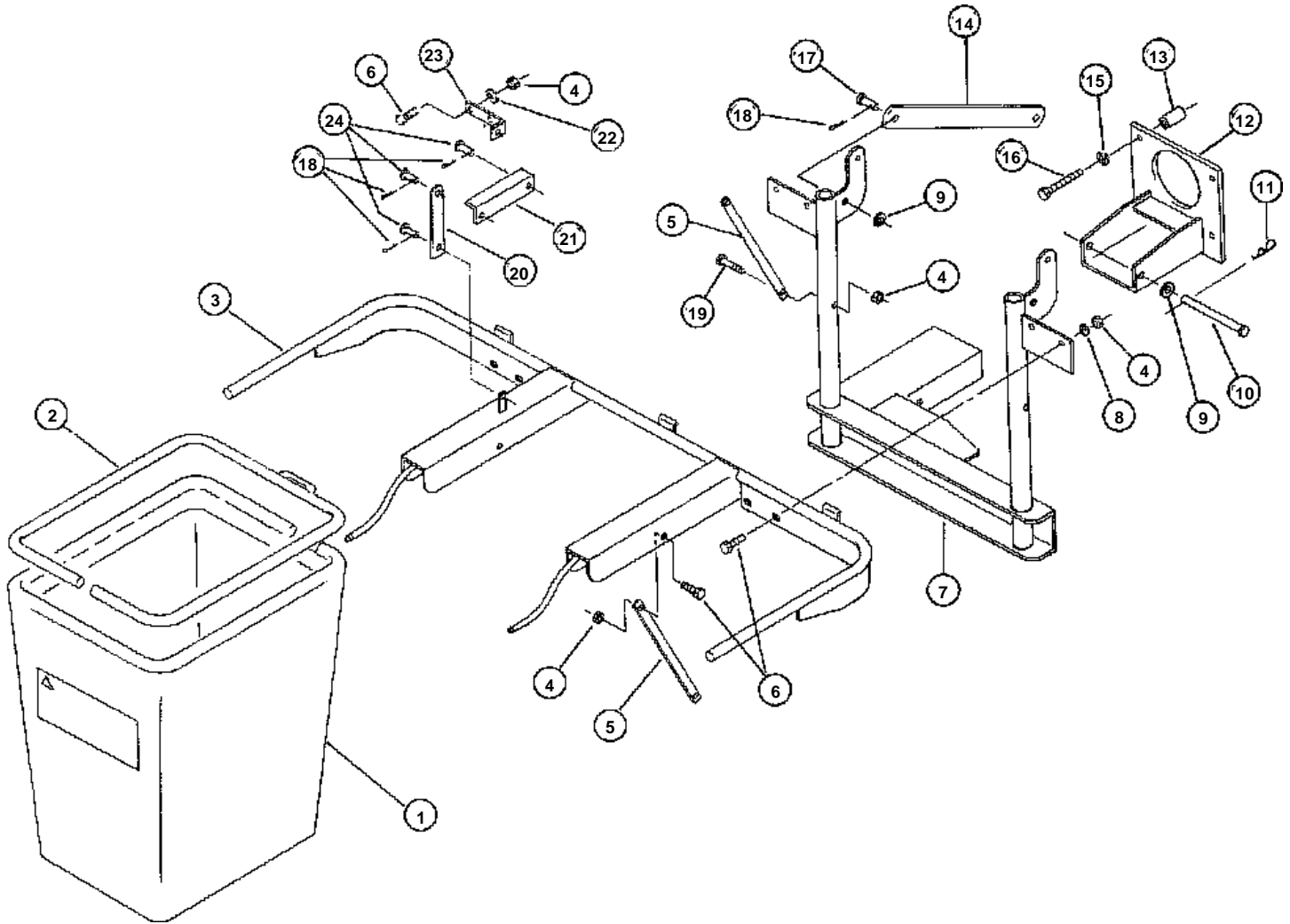
Symbol	Country
A	United States of America
CA	Canada
FR	France
GR	Greece
PO	Portugal
AU	Australia

If the remarks column says for example EXCEPT [FR] this part works in all countries except France. That means it will work here in the USA.

# GC60B Grass Catcher

Part No.		Book
01001	REAR FRAME COMPONENTS & BAGS	100Z0060
01002	COVER, CHAFF SCREEN & RELATED ITEMS	100Z0060
01003	BLOWER & RELATED PARTS	100Z0060
01004	GEARBOX PARTS BREAKDOWN	100Z0060
01005	BLOWER PARTS	100Z0060

REAR FRAME COMPONENTS & BAGS



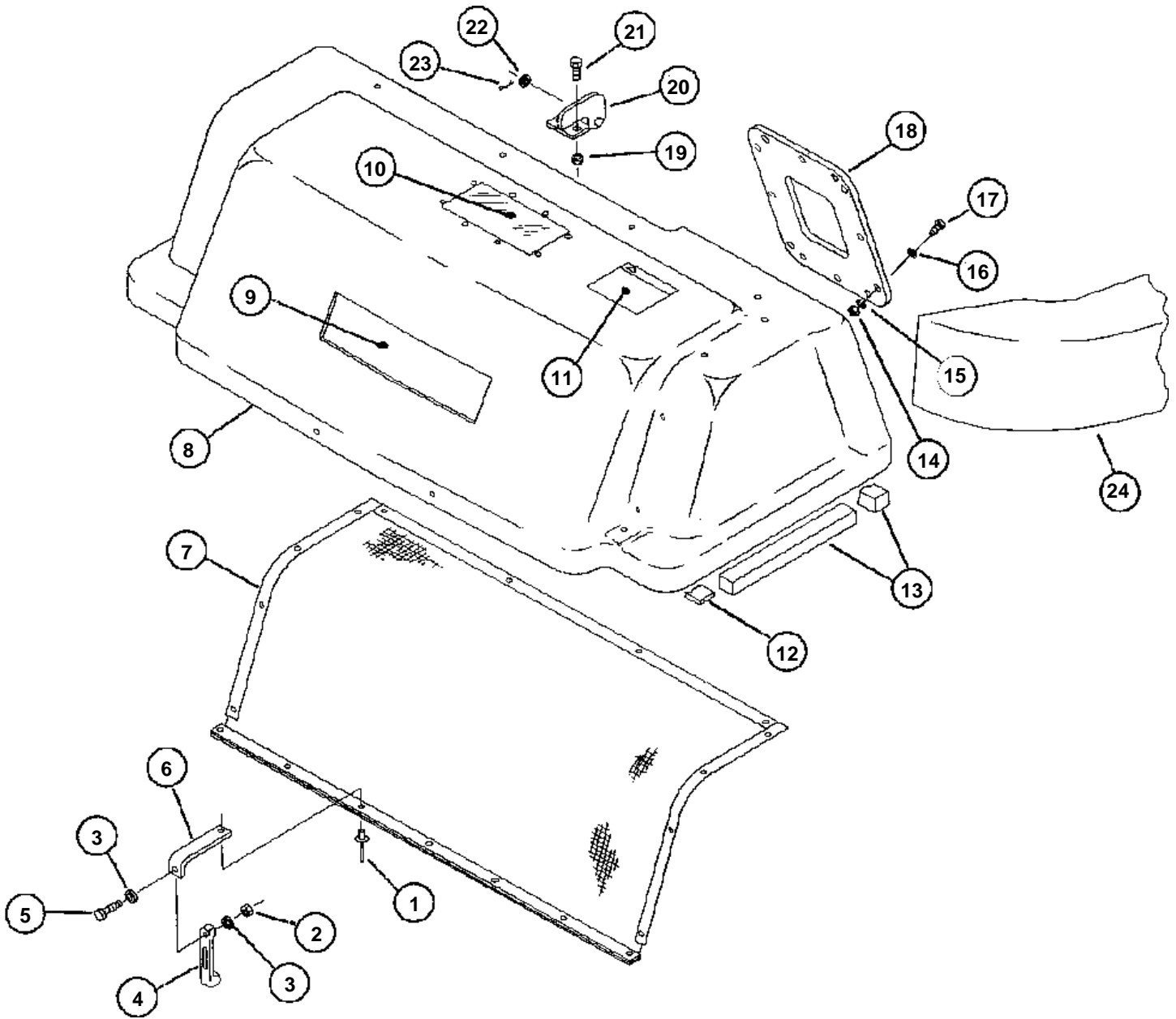


## REAR FRAME COMPONENTS & BAGS

↔ Interchangeable; ≠ not interchangeable; ← new for old; → old for new

REF.No	Part No.	Description	Q'ty	S.No.	I/C	REMARKS	Weight (kgf)	Weight (lb)
1	70050-93047	GRASS BAG SET OF 3	1				0.43	0.946
2	66071-99241	BAG FRAME	3				0	0
3	76710-55401	REAR FRAME	1				0	0
4	70000-74028	OBTAIN LOCALLY	10				0	0
5	76710-55501	ANGLE STIFFENER	2				0	0
6	70000-74028	OBTAIN LOCALLY	8				0	0
7	76710-55101	VERTICAL FRAME	1				0	0
8	70000-74028	OBTAIN LOCALLY	4				0	0
9	70000-74028	OBTAIN LOCALLY	3				0	0
10	70000-74028	OBTAIN LOCALLY	1				0	0
11	70080-01402	HAIRPIN CLIP	1				0.001	0.0022
12	76710-55051	SUPPORT BRACKET	1				0	0
13	76710-55071	TUBE SPACER	4				0	0
14	76710-55301	SUPPORT LINK	2				0	0
15	04512-50120	LOCKWASHER M12	4				0	0
16	01153-51275	BOLT M12-1.75 X 75	4				0.075	0.165
17	70000-74028	OBTAIN LOCALLY	1				0	0
18	70000-74028	OBTAIN LOCALLY	4				0	0
19	70000-74028	OBTAIN LOCALLY	2				0	0
20	76710-53201	LINK PLATE	1				0	0
21	76710-53101	LATCH PLATE	1				0	0
22	70000-74028	OBTAIN LOCALLY	2				0	0
23	76710-53001	HINGE PLATE	1				0	0
24	70000-74028	OBTAIN LOCALLY	3				0	0

COVER, CHAFF SCREEN & RELATED ITEMS

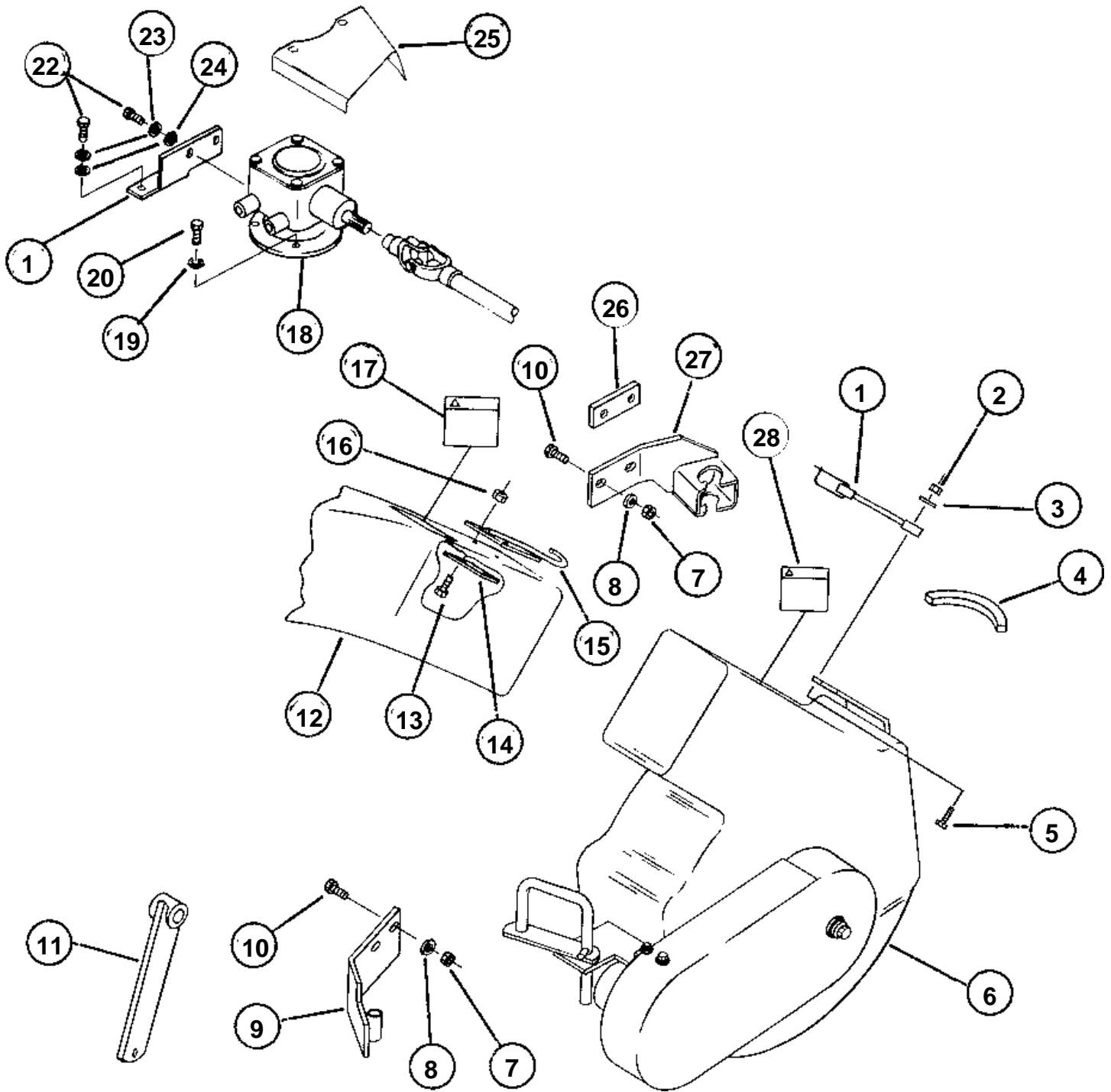


**COVER, CHAFF SCREEN & RELATED ITEMS**

↔ Interchangeable; ≠ not interchangeable; ← new for old; → old for new

REF.No	Part No.	Description	Q'ty	S.No.	I/C	REMARKS	Weight (kgf)	Weight (lb)
1	70000-74028	OBTAIN LOCALLY	2				0	0
2	70000-74028	OBTAIN LOCALLY	2				0	0
3	70000-74028	OBTAIN LOCALLY	4				0	0
4	66071-99282	HOOK BAND COVER	2				0	0
5	70000-74028	OBTAIN LOCALLY	2				0	0
6	66071-99072	PLATE HOOK BAND	2				0	0
7	76710-52401	CHAFF SCREEN	1				0	0
8	76710-51901	COVER	1				0	0
9	66071-99341	LABEL KUBOTA	1				0	0
10	76700-52151	WINDOW	2				0	0
11	66071-99081	LABEL WARNING #3	1				0	0
12	70050-02690	SEAL 1/8 X 3/4 X	1				0	0
13	70050-02702	SEAL 1/2 X 3/4 X 5	1				0	0
14	70000-74028	OBTAIN LOCALLY	12				0	0
15	70000-74028	OBTAIN LOCALLY	12				0	0
16	70000-74028	OBTAIN LOCALLY	15				0	0
17	70000-74028	OBTAIN LOCALLY	12				0	0
18	76710-52601	INLET	1				0	0
18A	76710-52801	SEAL PLATE UPPER	1				0	0
18B	76710-52901	SEAL PLATE SIDE	2				0	0
18C	76710-52701	SEAL PLATE LOWER	1				0	0
19	70000-74028	OBTAIN LOCALLY	4				0	0
20	76710-52051	HINGE COVER	2				0	0
21	70000-74028	OBTAIN LOCALLY	4				0	0
22	70000-74028	OBTAIN LOCALLY	2				0	0
23	70000-74028	OBTAIN LOCALLY	2				0	0
24	76710-47001	CHUTE	1				0	0

BLOWER & RELATED PARTS



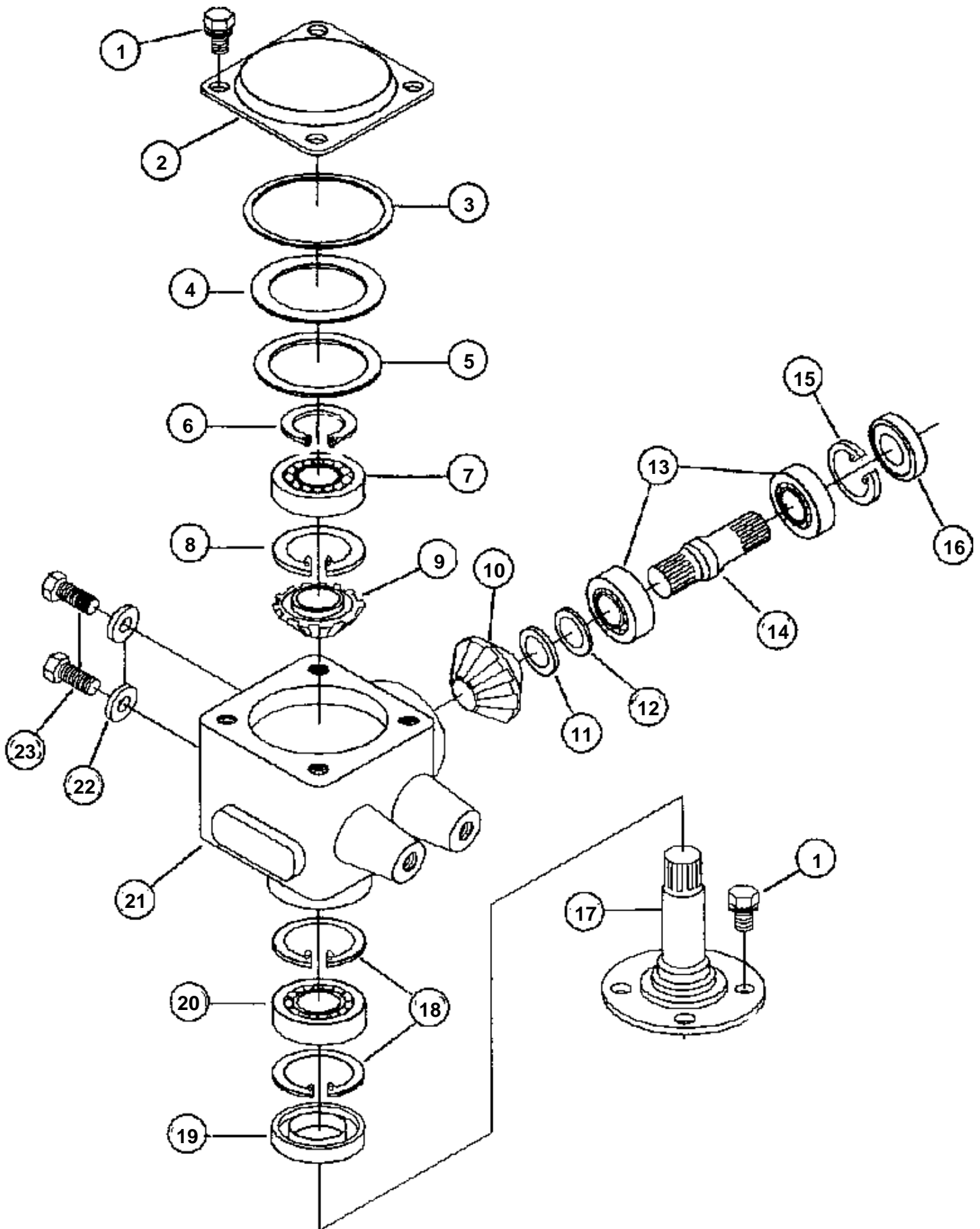
**BLOWER & RELATED PARTS**

↔ Interchangeable; ≠ not interchangeable; ← new for old; → old for new

REF.No	Part No.	Description	Q'ty	S.No.	I/C	REMARKS	Weight (kgf)	Weight (lb)
1	66071-99121	HOOK BAND CHUTE	1				0	0
2	70000-74028	OBTAIN LOCALLY	1				0	0
3	70000-74028	OBTAIN LOCALLY	1				0	0
4	70050-02702	SEAL 1/2 X 3/4 X	1				0	0
5	70000-74028	OBTAIN LOCALLY	1				0	0
6A	70050-93317	BLOWER ASSY GC60B	1				0	0
7	70000-74028	OBTAIN LOCALLY	4				0	0
8	70000-74028	OBTAIN LOCALLY	4				0	0
9A	76710-45101	J PIN SUPPORT	1				0	0
10	70000-74028	OBTAIN LOCALLY	4				0	0
11	76710-55601	LIFT LINK 3-POINT	2				0	0
12	76710-47001	CHUTE	1				0	0
13	70000-74028	OBTAIN LOCALLY	2				0	0
14	76710-47201	STIFFENER PLATE	1				0	0
15	76710-47101	HOOK PLATE	1				0	0
16	70000-74028	OBTAIN LOCALLY	2				0	0
17	66071-99091	LABEL WARNING #2	1				0	0
18	76710-00100	GEARBOX ASSY	1				4.4	9.68
19	04512-50080	LOCKWASHER M8	4				0	0
20	01153-50814	BOLT M8-1.25 X 14	4				0.009	0.0198
21	76710-45201	STAY GEARBOX	1				0	0
22	01170-51020	BOLT M10-1.25 X 20	4				0	0
23	04512-50100	LOCKWASHER M10	4				0	0
24	04013-50100	FLATWASHER M10	4				0	0
25	76710-41801	SHIELD DRIVESHAFT	1				0	0
26	76710-45351	SPACER (GC60B ONLY)	1				0	0
27	76710-45301	STAY BLOWER CASE	1				0	0
28	76700-41701	LABEL WARNING #1	1				0	0



GEARBOX PARTS BREAKDOWN



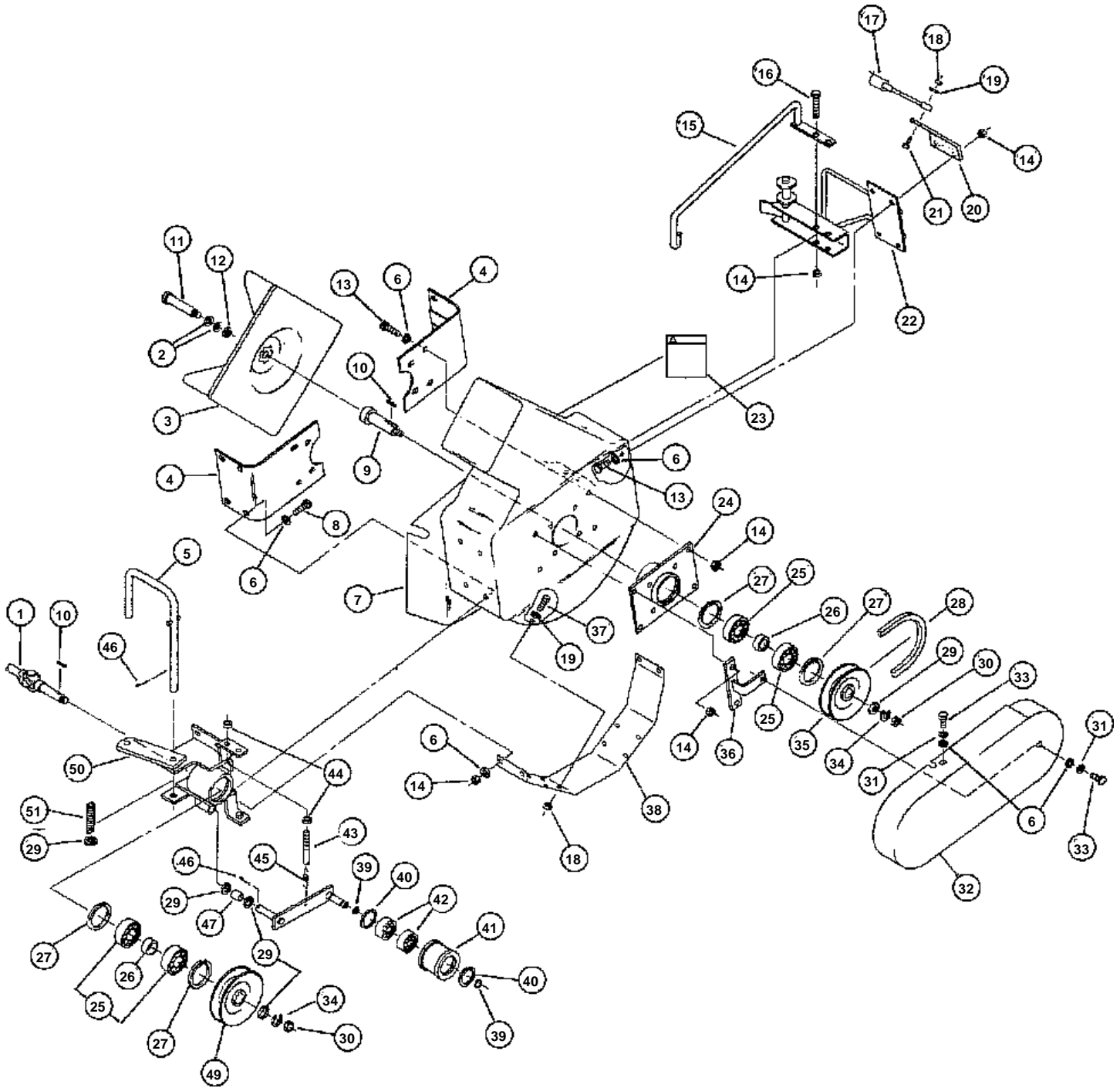


## GEARBOX PARTS BREAKDOWN

↔ Interchangeable; ≠ not interchangeable; ← new for old; → old for new

REF.No	Part No.	Description	Q'ty	S.No.	I/C	REMARKS	Weight (kgf)	Weight (lb)
1	01123-50814	BOLT M8-1.25 X 14	8				0	0
2	70712-33611	COVER GEARBOX	1				0	0
3	04811-10800	O-RING	1				0.001	0.0022
4	70712-33571	SHIM 0.1	2				0	0
5	70712-33591	SHIM 0.3	1				0	0
6	04612-00200	SNAP RING EXTERNAL	1				0.001	0.0022
7	08101-06206	BALL BEARING	1				0.196	0.4312
8	04611-00620	SNAP RING INTERNAL	1				0.011	0.0242
9	76710-30091	BEVEL GEAR 15 TOOTH	1				0	0
10	76710-30042	BEVEL GEAR 18 TOOTH	1				0	0
11	76700-30051	SHIM 0.2	1				0	0
12	76700-30061	SHIM 0.3	1				0	0
13	76700-30121	BALL BEARING	2				0	0
14	76710-30021	SHAFT INPUT	1				0	0
15	04611-00420	SNAP RING INTERNAL	1				0.006	0.0132
16	54711-14242	OIL SEAL	1				0	0
17	76700-30072	SHAFT OUTPUT	1				0.8	1.76
18	04611-00680	SNAP RING INTERNAL	2				0.016	0.0352
19	76700-30081	OIL SEAL	1				0	0
20	08101-06909	BALL BEARING	1				0.135	0.297
21	76710-30013	CASE GEARBOX	1				0	0
22	04717-01000	WASHER W/RUBBER	2				0.001	0.0022
23	01070-51014	BOLT M10-1.25 X 15	2				0	0
24	76710-00100	COMPLETE GEARBOX	1				4.4	9.68

# BLOWER PARTS



**BLOWER PARTS**

↔ Interchangeable; ≠ not interchangeable; ← new for old; → old for new

REF.No	Part No.	Description	Q'ty	S.No.	I/C	REMARKS	Weight (kgf)	Weight (lb)
1A	76710-35031	DRIVESHAFT ASSY	1				0	0
2	70050-93198	WASHER	2				0.005	0.011
3	76700-41102	FAN BLOWER	1				0	0
4	76700-40052	STIFFNER	2				0	0
5	76710-40501	PIN J	1				0	0
6	70000-74028	OBTAIN LOCALLY	23				0	0
7	76700-35023	BLOWER HOUSING	1				0	0
8	70000-74028	OBTAIN LOCALLY	4				0	0
9	76700-40201	FAN SHAFT	1				0	0
10	70050-93195	KEY 5 X 5 X 20MM	2				0	0
11	76700-41201	BOLT SPECIAL FAN	1				0	0
12	76700-41401	WASHER SPECIAL	1				0	0
13	70000-74028	OBTAIN LOCALLY	12				0	0
14	70000-74028	OBTAIN LOCALLY	18				0	0
15	76710-40702	ARM REINFORCEMENT	1				0	0
16	70000-74028	OBTAIN LOCALLY	2				0	0
17	66071-99121	HOOK BAND	1				0	0
18	70000-74028	OBTAIN LOCALLY	9				0	0
19	70000-74028	OBTAIN LOCALLY	10				0	0
20	70050-93352	BRACKET HOOK BAND	1				0	0
21	70000-74028	OBTAIN LOCALLY	1				0	0
22	76700-40601	HITCH	1				0	0
23	76700-41701	LABEL WARNING #1	1				0	0
24	76700-40101	HOLDER FAN BEARING	1				0	0
25	08141-06304	BEARING SHAFT	4				0.142	0.3124
26	76700-40151	COLLAR	2				0	0
27	70050-93196	SNAP RING INT	4				0	0
28	76710-40851	BELT	1				0	0
29	04013-50120	FLATWASHER M12	5				0	0
30	02172-90120	NUT M12-1.25	2				0	0
31	70000-74028	OBTAIN LOCALLY	3				0	0
32	76710-41501	SHIELD BELT	1				0	0
33	70000-74028	OBTAIN LOCALLY	3				0	0
34	04512-50120	LOCKWASHER M12	2				0	0
35	76700-40752	PULLEY 4 OD	1				0	0
36	76700-41551	STAY BELT COVER	1				0	0
37	70070-00404	BOLT SPECIAL	8				0	0
38	76700-41001	PLATE	1				0	0
39	70050-93197	SNAP RING EXT	2				0	0
40	70070-00107	SNAP RING INT	2				0	0
41	76700-40351	PULLEY IDLER	1				0	0
42	70080-01433	BEARING	2				0	0
43	76700-40903	SCREW BELT ADJ	1				0	0
44	70000-74028	OBTAIN LOCALLY	2				0	0
45	76700-40951	SPRING TENSION	1				0	0
46	70000-74028	OBTAIN LOCALLY	2				0	0
47	76700-40451	BUSHING	1				0	0
48	76700-40401	ARM TENSION	1				0	0
49	76700-40802	PULLEY 5 OD	1				0	0
50	76710-40251	HOLDER JOINT DRIVE	1				0	0
51	76700-40552	SPRING COMPRESS	1				0	0