

Instructions for Parts Books

The heading at the top of the page will be the same for the picture of the parts as it is for the page with the part numbers.

Definition of column headings on part number pages:

REF.No → The number referring to the part on the picture page of the parts book.

Part No. → The number assigned to this part at the time of printing the parts book.

Description → Description of part.

Q'ty → Quantity of part used on that page.

S.No. → Serial number range of the equipment that this part will fit.

>= Your serial number should be greater than or equal to the number shown.

<= Your serial number should be lesser than or equal to the serial number shown.

I/C → Interchangeability of part shown.

↔ The part shown will work for the older and later serial number.

The part shown is not interchangeable with the other serial number.

← new for old

→ old for new

Remarks → Notes about this particular part. Sometimes this may say except [FR] or [CA]

Note about Country Codes:

The parts books we use in the United States of America may also contain information about a part that would be different in another country. It is important that you are aware of the country codes in some instances.

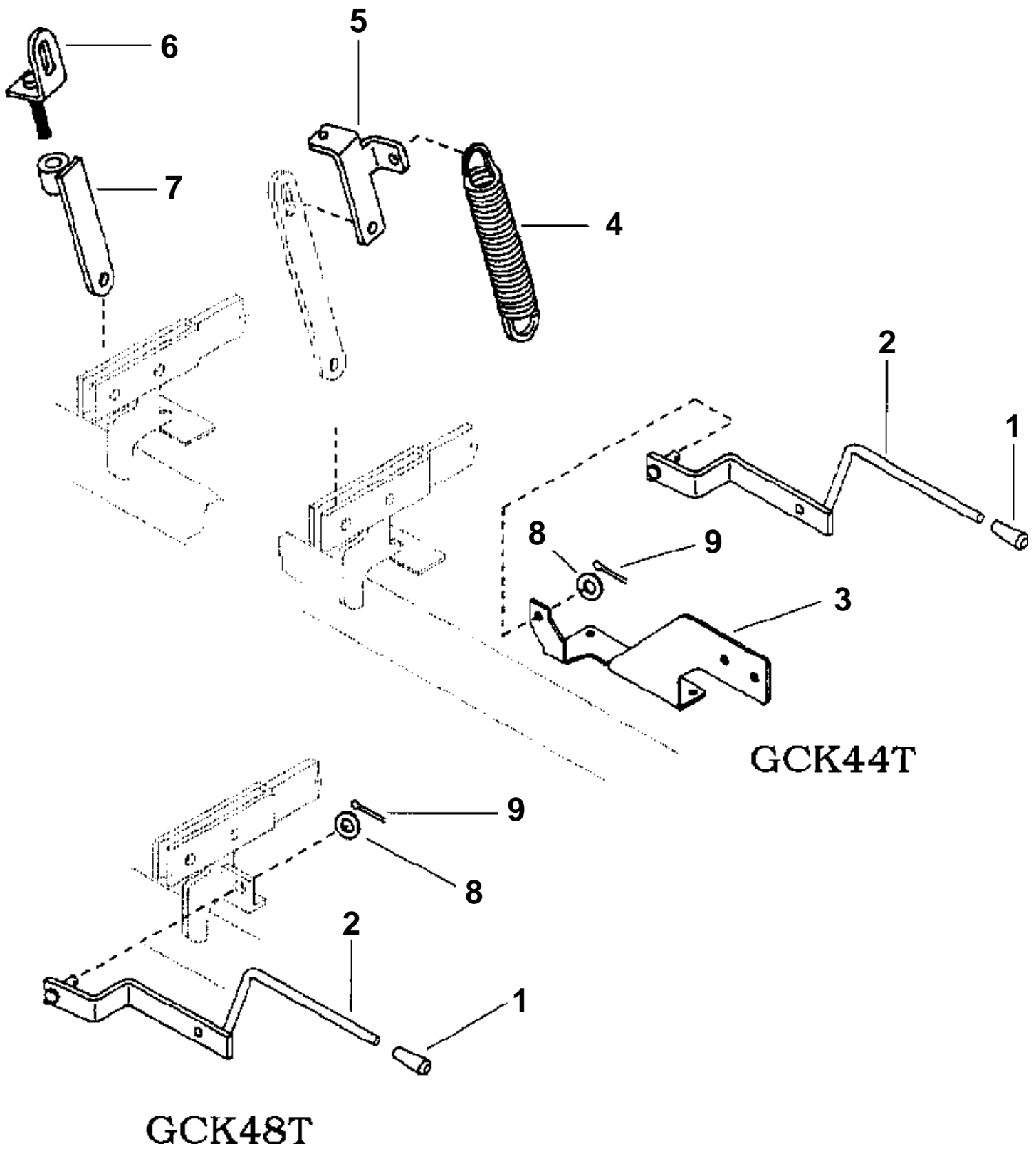
Symbol	Country
A	United States of America
CA	Canada
FR	France
GR	Greece
PO	Portugal
AU	Australia

If the remarks column says for example EXCEPT [FR] this part works in all countries except France. That means it will work here in the USA.

GCK48T Catcher

Part No.		Book
01001	SPRING KIT	100Z0196
01002	BLOWER BRACKET & DRIVE	100Z0196
01003	BLOWER COMPONENT PARTS	100Z0196
01004	BLOWER FASTENING HARDWARE	100Z0196
01005	GEARBOX	100Z0196
01006	CONTAINER COVER, LIST #1	100Z0196
01007	CONTAINER COVER, LIST #2	100Z0196
01008	FRAMES & GRASS BAGS	100Z0196
01009	CHUTE PARTS	100Z0196
01010	SAFETY SIGNS	100Z0196

SPRING KIT



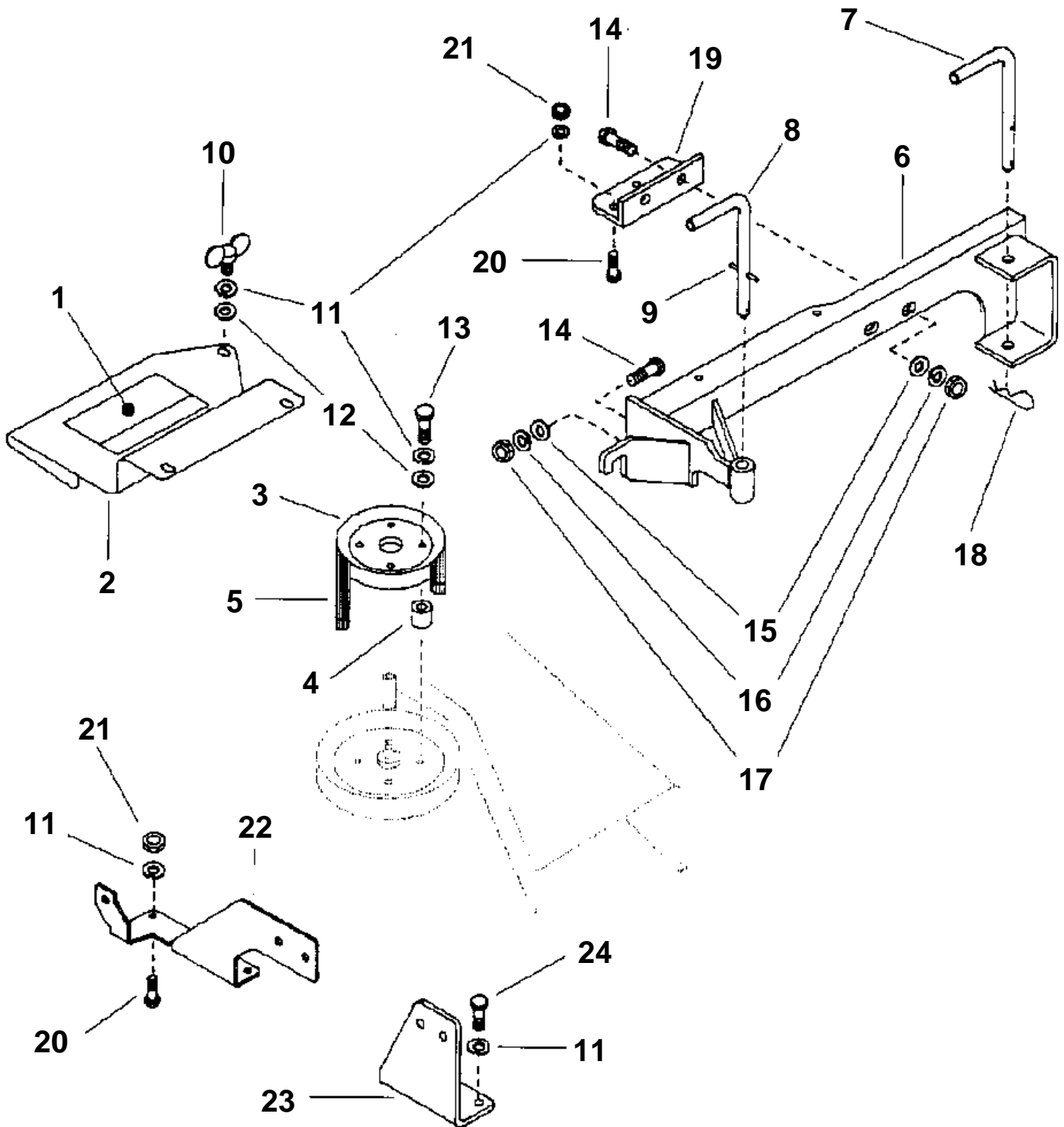


SPRING KIT

↔ Interchangeable; ≠ not interchangeable; ← new for old; → old for new

REF.No	Part No.	Description	Q'ty	S.No.	I/C	REMARKS	Weight (kgf)	Weight (lb)
1	76762-99251	GRIP	1				0	0
2	K6021-99231	LEVER SPRING	1				0	0
3	K6021-92111	BRACKET	1				0	0
4	76762-99241	SPRING	1				0	0
5	K6021-44291	LIFT LINK 2	1				0	0
6	K6012-44271	LIFT LINK UPPER	1				0	0
7	K6012-44281	LIFT LINK LOWER	1				0	0
8	02074-50140	NUT	1				0.021	0.0462
9	75599-32113	FLAT WASHER 3/8	1				0	0
10	75599-53173	COTTER PIN 1/8 X 1	1				0.002	0.0044

BLOWER BRACKET & DRIVE

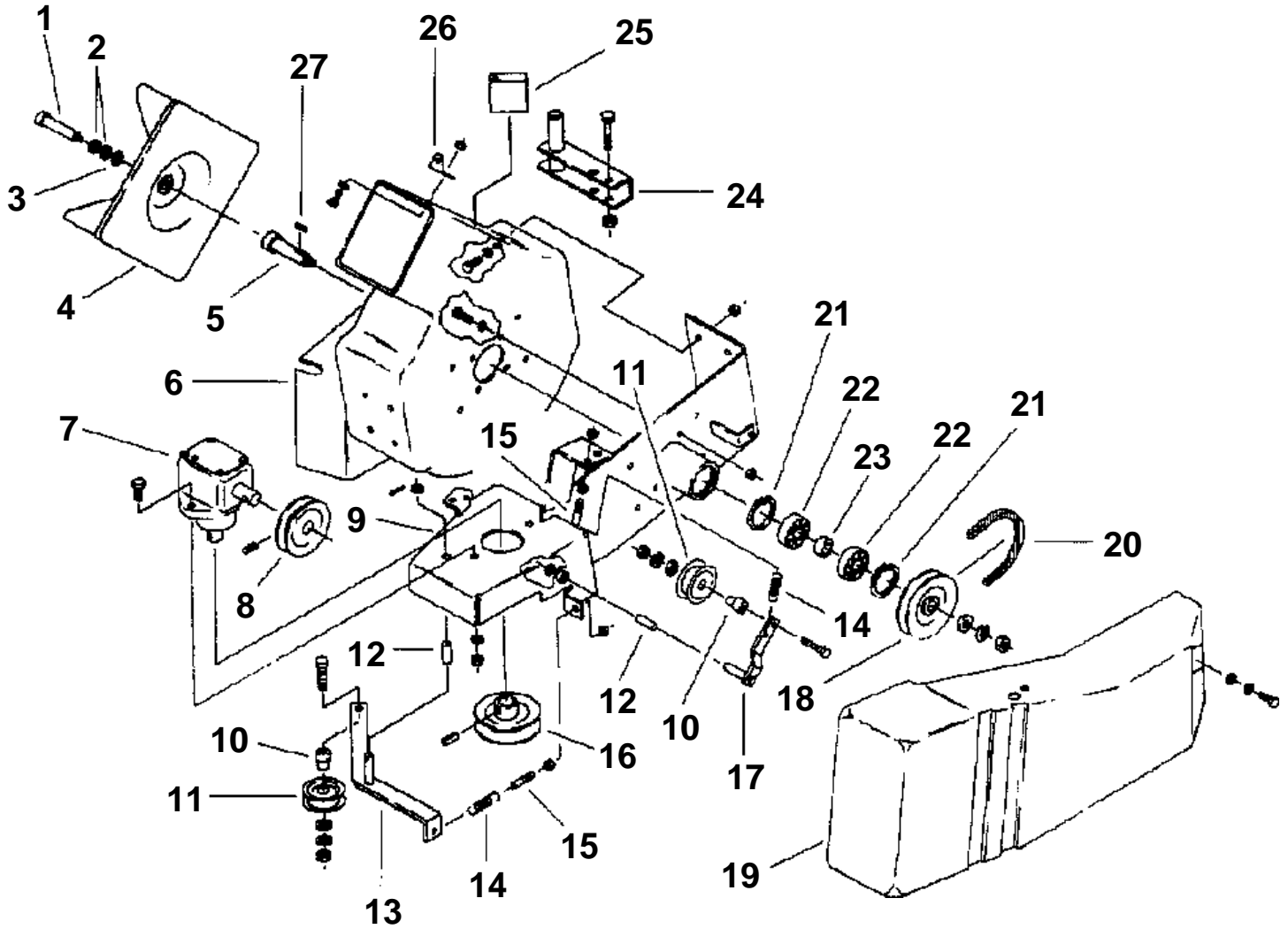


**BLOWER BRACKET & DRIVE**

↔ Interchangeable; ≠ not interchangeable; ← new for old; → old for new

REF.No	Part No.	Description	Q'ty	S.No.	I/C	REMARKS	Weight (kgf)	Weight (lb)
1	70050-93958	SAFETY SIGN	1				0	0
2	K6021-99221	SHIELD	1				0	0
2A	K6031-99221	SHIELD	1				0	0
3	76736-99292	PULLEY BLOWER DRIVE	1				0	0
4	76736-99281	SPACER BLOWER DRIVE	4				0	0
5	76736-99171	BELT	1				0	0
5A	76746-99161	BELT	1				0	0
6	K6021-99191	BRACKET	1				0	0
6A	K6031-99191	BRACKET	1				0	0
7	76736-99271	HANDLE PIN DRILLED	1				0	0
8	76736-99211	HANDLE PIN ASSY	1				0	0
9	70050-94460	ROLL PIN	1				0	0
10	01811-50812	WING BOLT	3				0.03	0.066
11	04512-60080	LOCKWASHER M8	12				0.002	0.0044
12	04013-60080	FLAT WASHER M8	7				0.002	0.0044
13	01053-50840	BOLT M8-1.25 X 40	4				0.018	0.0396
14	01173-51025	BOLT M10-1.25 X 25	4				0.021	0.0462
15	75599-32113	FLAT WASHER 3/8	4				0	0
16	04512-60100	LOCKWASHER M10	4				0.002	0.0044
17	02176-50100	NUT M10-1.25	4				0.005	0.011
18	70080-01402	SNAP PIN SMALL	1				0.001	0.0022
19	K6021-92121	BRACKET	1				0	0
19A	K6031-92121	BRACKET	1				0	0
20	01173-50820	BOLT M8-1.0 X 20	3				0.012	0.0264
21	02118-50080	NUT M8	5				0.006	0.0132
22	K6021-92111	BRACKET	1				0	0
23	K6031-92111	BRACKET	1				0	0
24	01053-50820	BOLT M8-1.25 X 20	2				0.012	0.0264

BLOWER COMPONENT PARTS

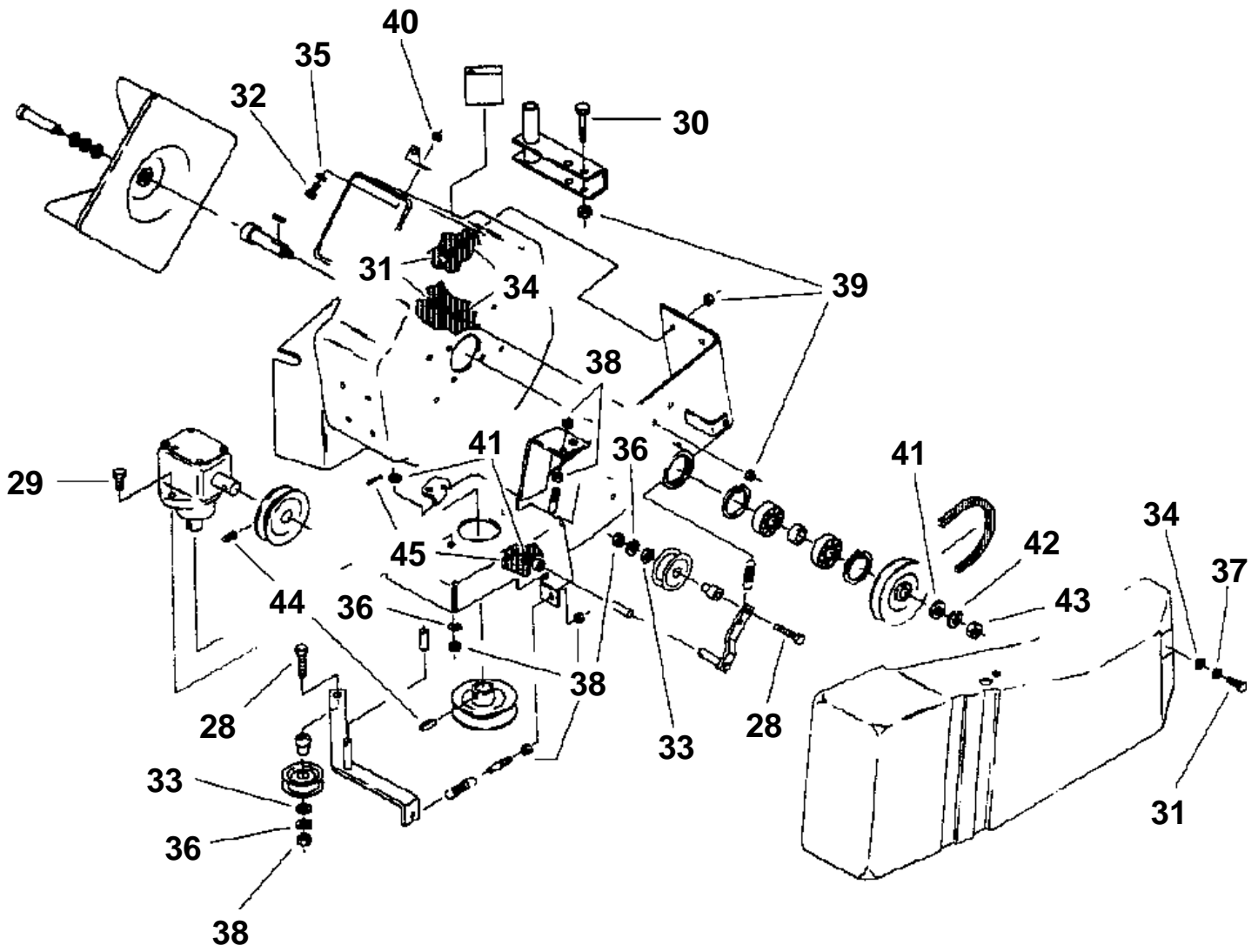


**BLOWER COMPONENT PARTS**

↔ Interchangeable; ≠ not interchangeable; ← new for old; → old for new

REF.No	Part No.	Description	Q'ty	S.No.	I/C	REMARKS	Weight (kgf)	Weight (lb)
1	76700-41201	BOLT FAN (SPECIAL)	1				0	0
2	70050-93198	WASHER	2				0.005	0.011
3	76700-41401	WASHER (SPECIAL)	1				0	0
4	76700-41102	FAN BLOWER	1				0	0
5	76746-99151	SHAFT FAN	1				0	0
6	76736-99111	CASE	1				0	0
6A	76746-99111	CASE	1				0	0
7	70050-93940	GEARBOX ASSY.	1				0	0
8	76736-99251	PULLEY	1				0	0
9	76736-99121	BRACKET	1				0	0
9A	76746-99121	BRACKET	1				0	0
10	76736-99261	SPACER IDLER PULLEY	2				0	0
11	76736-99231	PULLEY IDLER	2				0	0
12	76700-40451	BUSHING	2				0	0
13	76736-99161	ARM	1				0	0
14	76700-40952	SPRING	2				0	0
15	76700-40903	BOLT IDLER SPRING	2				0	0
16	76736-99181	PULLEY	1				0	0
17	76736-99131	ARM	1				0	0
17A	76746-99231	ARM	1				0	0
18	76700-40802	PULLEY FAN - 5 INCH	1				0	0
19	76736-99151	COVER FAN BELT	1				0	0
20	76736-99141	BELT FAN - GCK44T	1				0	0
20A	76700-40851	BELT FAN - GCK48T	1				0	0
21	70050-93196	SNAP RING INTERNAL	2				0	0
22	08141-06304	BALL BEARING ASSY.	2				0.142	0.3124
23	76746-99131	COLLAR	1				0	0
24	76762-99131	MOUNT FRONT HITCH	1				0	0
25	76700-41701	SAFETY SIGN	1				0	0
26	66091-99334	STAY CHUTE HOOK	1				0	0
27	05712-00520	KEY 5 X 5 X 20 MM	1				0.004	0.0088

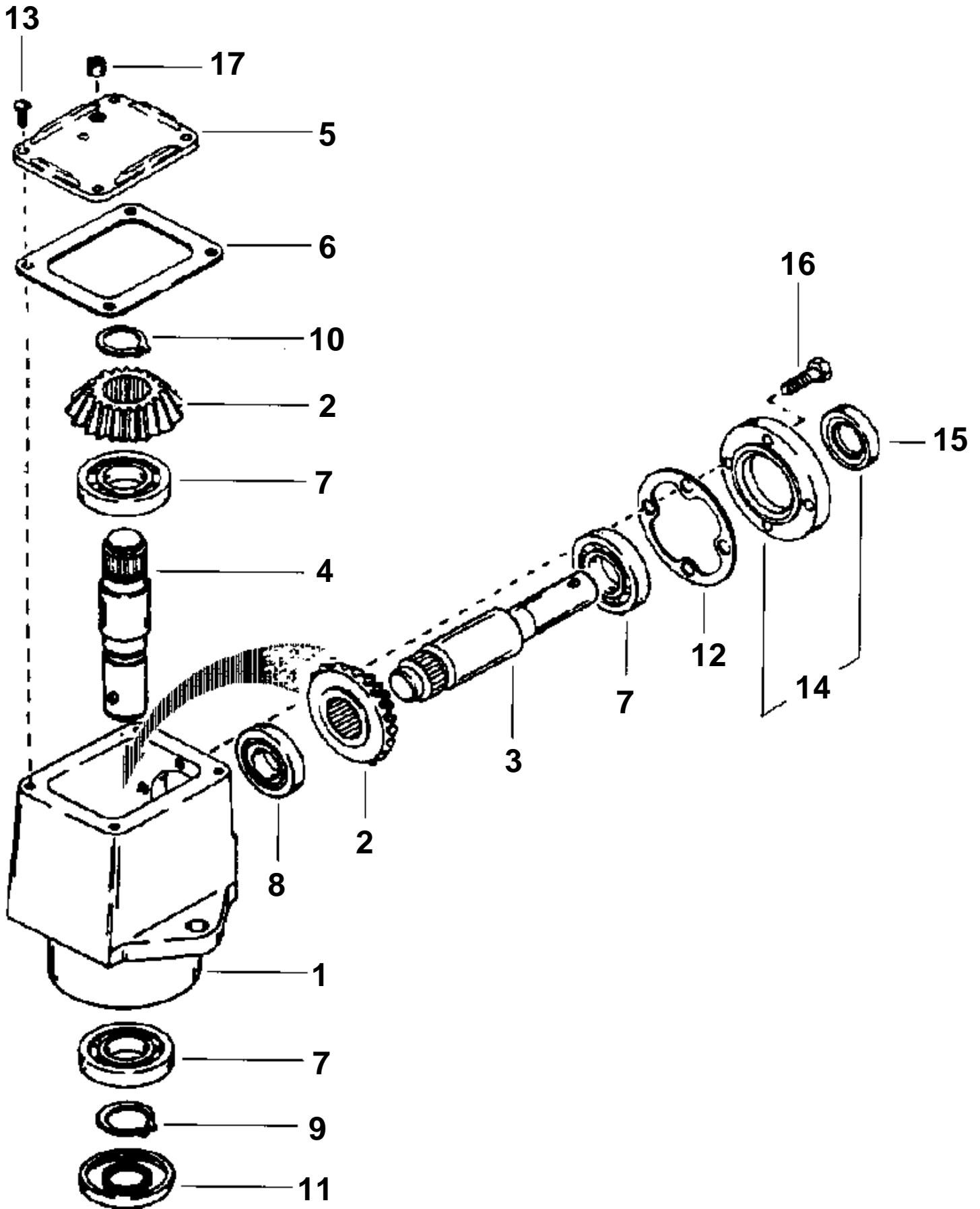
BLOWER FASTENING HARDWARE



**BLOWER FASTENING HARDWARE**

↔ Interchangeable; ≠ not interchangeable; ← new for old; → old for new

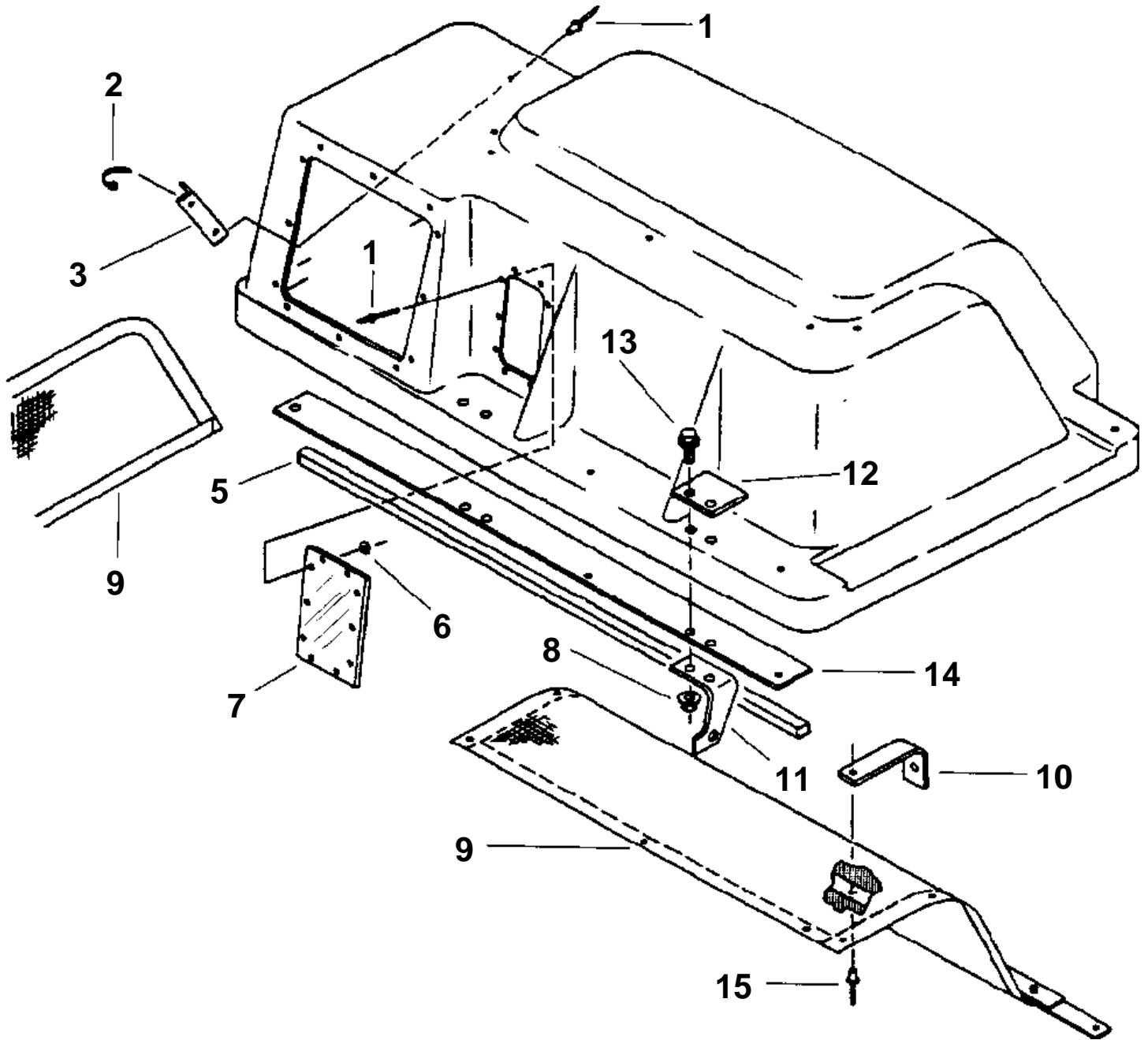
REF.No	Part No.	Description	Q'ty	S.No.	I/C	REMARKS	Weight (kgf)	Weight (lb)
28	75599-01335	BOLT 3/8-16 X 1-3/4	2				0	0
29	75599-01325	BOLT 3/8-16 X 1-1/4	2				0	0
30	75599-01240	BOLT 5/16-18 X 2	2				0	0
31	75599-01215	BOLT 5/16-18 X 3/4	18				0	0
32	75599-01115	BOLT 1/4-20 X 3/4	1				0	0
33	75599-32113	FLAT WASHER 3/8	2				0	0
34	75599-32112	FLAT WASHER 5/16	18				0	0
35	75599-32111	FLAT WASHER 1/4	1				0	0
36	75599-33013	LOCKWASHER 3/8	4				0.01	0.022
37	75599-33012	LOCKWASHER 5/16	2				0.002	0.0044
38	75599-31013	NUT 3/8-16	8				0	0
39	75599-31932	LOCKNUT 5/16-18	18				0	0
40	75599-31931	LOCKNUT 1/4-20	1				0	0
41	04013-60120	FLAT WASHER M12	3				0.01	0.022
42	04512-60120	LOCK WASHER M12	1				0.005	0.011
43	02176-60120	NUT M12-1.25	1				0.01	0.022
44	75599-72530	ROLL PIN	2				0	0
45	75599-53174	COTTER PIN	2				0	0



**GEARBOX**

↔ Interchangeable; ≠ not interchangeable; ← new for old; → old for new

REF.No	Part No.	Description	Q'ty	S.No.	I/C	REMARKS	Weight (kgf)	Weight (lb)
1	70050-93941	HOUSING RIGHT ANGLE	1				0	0
2	70050-93942	GEAR MITER	2				0	0
3	70050-93943	SHAFT	1				0	0
4	70050-93944	SHAFT	1				0	0
5	70050-93945	COVER	1				0	0
6	70050-93946	GASKET COVER	1				0	0
7	70050-93947	BALL BEARING	3				0	0
8	70050-93948	BALL BEARING	1				0	0
9	70050-93949	SNAP RING EXTERNAL	1				0	0
10	70050-93950	SNAP RING EXTERNAL	1				0	0
11	70050-93951	OIL SEAL	1				0	0
12	70050-93952	GASKET RETAINER CAP	1				0	0
13	70050-93953	SCREW	4				0	0
14	70050-93954	RETAINER CAP	1				0	0
15	70050-93995	OIL SEAL	1				0	0
16	75599-01117	BOLT 1/4-20 X 7/8	4				0	0
17	70050-93957	PIPE PLUG	1				0	0

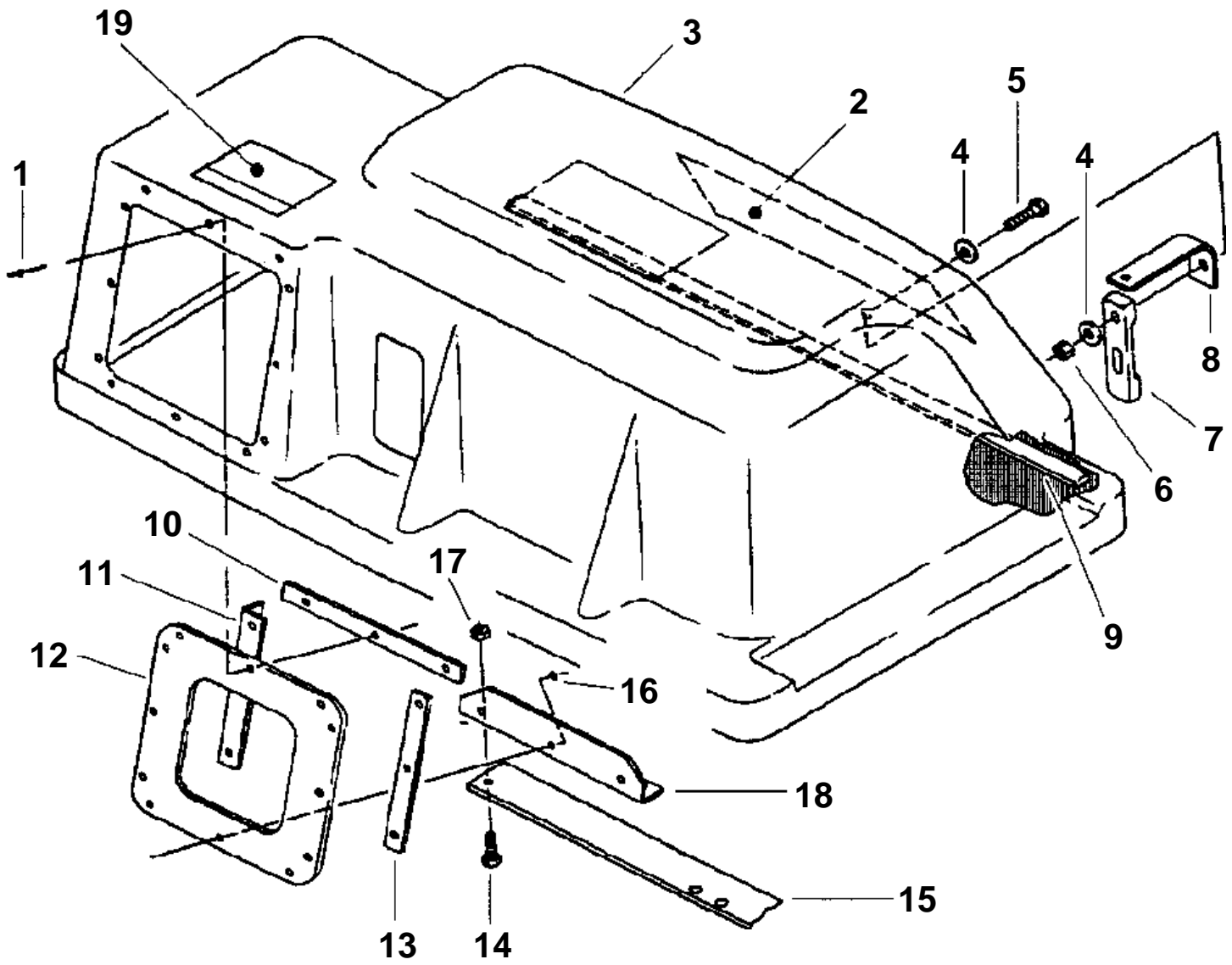




CONTAINER COVER, LIST #1

↔ Interchangeable; ≠ not interchangeable; ← new for old; → old for new

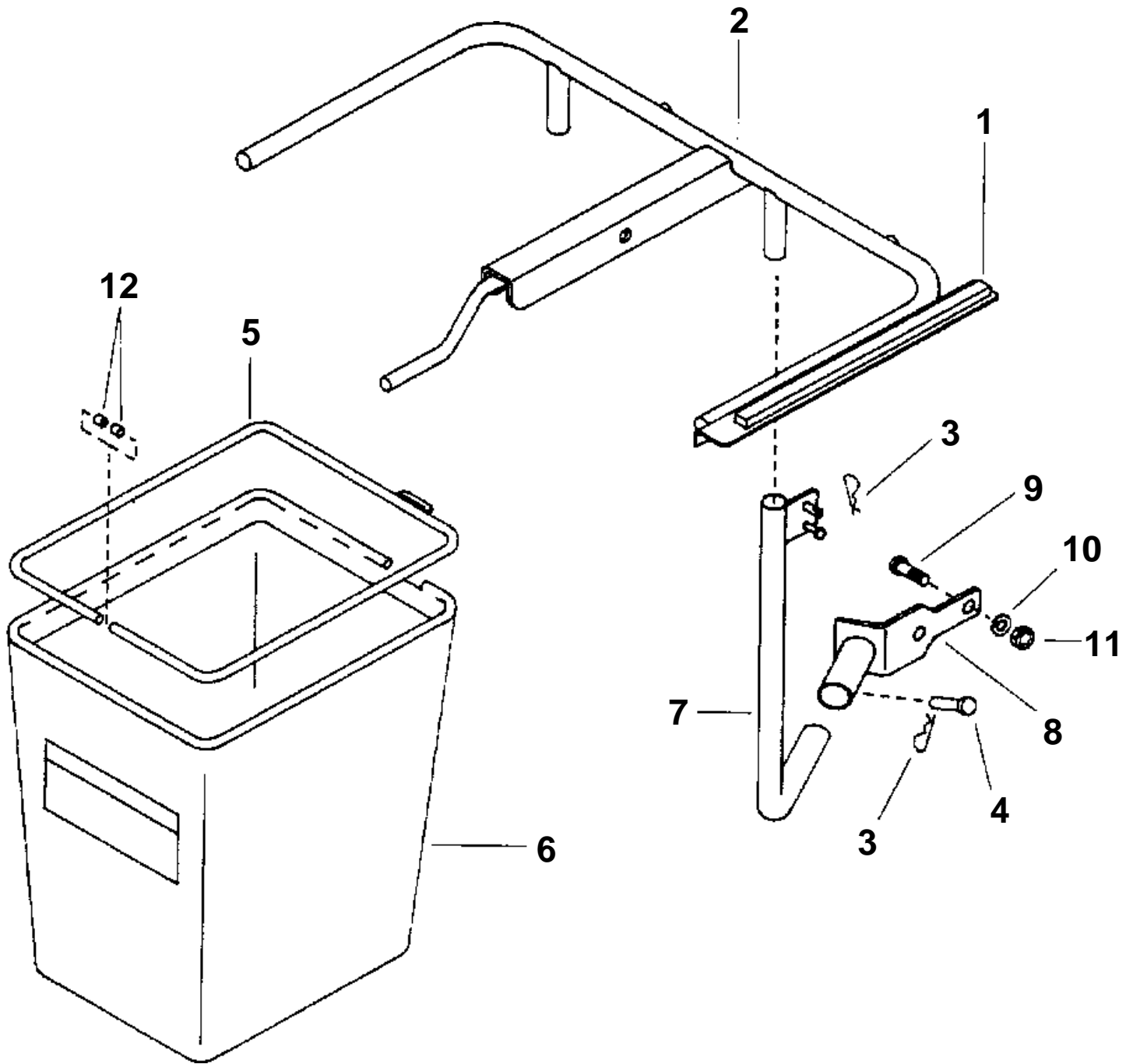
REF.No	Part No.	Description	Q'ty	S.No.	I/C	REMARKS	Weight (kgf)	Weight (lb)
1	66071-99321	POP RIVET	31				0	0
2	70080-00352	CABLE TIE .15 X 8.5	4				0.063	0.1386
3	66091-99531	MOUNT DUST COVER	1				0	0
4	66091-99422	DUST COVER	1				0	0
5	70050-02702	GASKET FOAM	1				0	0
6	66071-99851	WASHER POP RIVET	10				0	0
7	66091-99851	WINDOW	1				0	0
8	70080-01326	FLANGE NUT 5/16-18	4				0.01	0.022
9	66091-99431	CHAFF SCREEN	1				0	0
10	66071-99072	PLATE	1				0	0
11	66091-99491	MOUNT HINGE COVER	2				0	0
12	66091-99482	PLATE STIFFENER	2				0	0
13	70050-93542	BOLT	4				0.015	0.033
14	66091-99442	PLATE COVER SUPPORT	1				0	0
15	66071-99331	POP RIVET	1				0	0
16	66091-99401	COVER ASSEMBLY	1				0	0



**CONTAINER COVER, LIST #2**

↔ Interchangeable; ≠ not interchangeable; ← new for old; → old for new

REF.No	Part No.	Description	Q'ty	S.No.	I/C	REMARKS	Weight (kgf)	Weight (lb)
1	66071-99321	POP RIVET	12				0	0
2	66071-99341	SIGN KUBOTA	1				0	0
3	66091-99413	COVER GRASS BAG	1				0	0
4	75599-32111	FLAT WASHER 1/4	2				0	0
5	75599-01125	BOLT 1/4-20 X 1-1/4	1				0.009	0.0198
6	75599-31931	LOCKNUT 1/4-20	1				0	0
7	66071-99282	HOOK BAND	1				0	0
8	66071-99072	PLATE	1				0	0
9	70050-02690	GASKET FOAM	1				0	0
10	76710-52801	SEAL PLATE TOP	1				0	0
11	66091-99551	SEAL PLATE RIGHT	1				0	0
12	66091-99461	SEAL INLET	1				0	0
13	76710-52901	SEAL PLATE LEFT	1				0	0
14	75599-01215	BOLT 5/16-18 X 3/4	1				0	0
15	66091-99442	PLATE	1				0	0
16	66071-99851	WASHER POP RIVET	3				0	0
17	75599-31932	LOCKNUT 5/16-18	1				0	0
18	66091-99541	SEAL PLATE BOTTOM	1				0	0
19	66071-99081	SAFETY SIGN	1				0	0



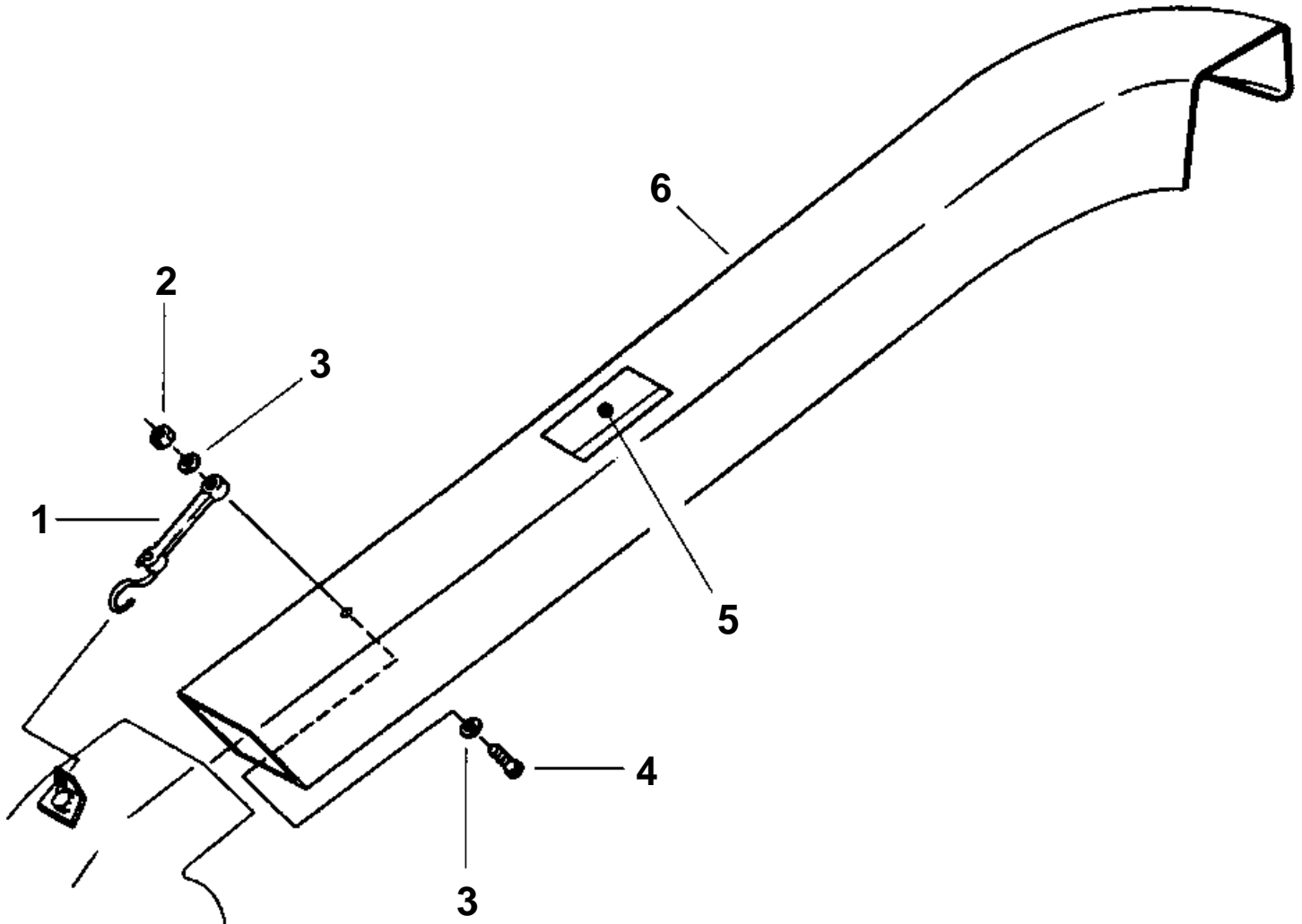


FRAMES & GRASS BAGS

↔ Interchangeable; ≠ not interchangeable; ← new for old; → old for new

REF.No	Part No.	Description	Q'ty	S.No.	I/C	REMARKS	Weight (kgf)	Weight (lb)
1	70050-02702	GASKET FOAM	1				0	0
2	66091-99513	FRAME BAG SUPPORT	1				0	0
3	70080-01402	SNAP PIN SMALL	4				0.001	0.0022
4	75599-51240	CLEVIS PIN 5/16 X 2	2				0	0
5	66071-99241	BAG FRAME	2				0	0
6	70050-93026	GRASS BAG SINGLE	2				0.3	0.66
7	K6011-91121	FRAME 1 LH	1				0	0
7A	K6011-91131	FRAME 1 RH	1				0	0
8	K6011-91141	BRACKET FRAME LH	1				0	0
8A	K6011-91151	BRACKET FRAME RH	1				0	0
9	01173-51025	BOLT M10-1.25 X 25	6				0.021	0.0462
10	04512-60100	LOCKWASHER M10	6				0.002	0.0044
11	02176-50100	NUT M10-1.25	6				0.005	0.011
12	70050-94435	VINYL CAP	4				0	0

CHUTE PARTS





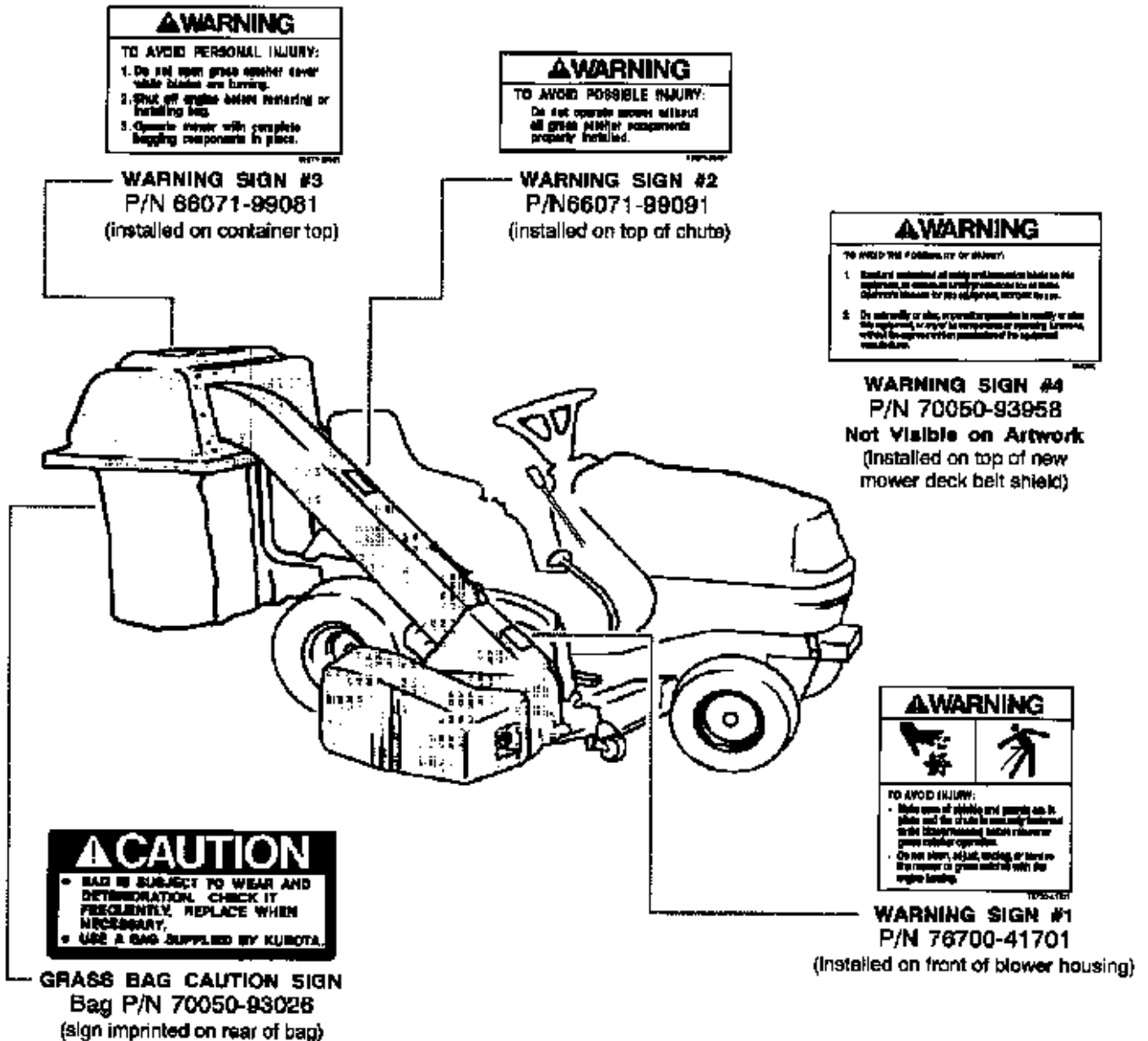
CHUTE PARTS

↔ Interchangeable; ≠ not interchangeable; ← new for old; → old for new

REF.No	Part No.	Description	Q'ty	S.No.	I/C	REMARKS	Weight (kgf)	Weight (lb)
1	66091-99341	HOOK BAND	1				0	0
2	75599-31931	LOCKNUT 1/4-20	1				0	0
3	75599-32111	FLAT WASHER 1/4	2				0	0
4	75599-01125	BOLT 1/4-20 X 1-1/4	1				0.009	0.0198
5	66071-99091	SAFETY SIGN	1				0	0
6	66091-99323	CHUTE	1				0	0

2. SAFETY SIGNS

2.1 SAFETY SIGN LOCATIONS



2.2 CARE OF SAFETY SIGNS

- (1) Keep safety signs clean and free from obstructing material.
- (2) Clean safety signs with soap and water, dry with a soft cloth.
- (3) Replace damaged or missing safety signs with new safety signs from your Kubota dealer.
- (4) If a component with a safety sign(s) affixed is (are) replaced with a new part, make sure new safety sign(s) is (are) attached in the same location(s) as the replaced component.
- (5) Mount new safety signs by applying on a clean surface and pressing any bubbles to outside edge.
- (6) If the grass bag safety sign(s) are badly faded after repeated washing, the bag(s) should be replaced.



SAFETY SIGNS

↔ Interchangeable; ≠ not interchangeable; ← new for old; → old for new

REF.No	Part No.	Description	Q'ty	S.No.	I/C	REMARKS	Weight (kgf)	Weight (lb)
1	66071-99081	DECAL WARNING	1				0	0
2	66071-99091	DECAL WARNING	1				0	0
3	70050-93958	DECAL WARNING	1				0	0
4	70050-93026	DECAL CAUTION	1				0.3	0.66
5	76700-41701	DECAL WARNING	1				0	0