

Instructions for Parts Books

The heading at the top of the page will be the same for the picture of the parts as it is for the page with the part numbers.

Definition of column headings on part number pages:

REF.No → The number referring to the part on the picture page of the parts book.

Part No. → The number assigned to this part at the time of printing the parts book.

Description → Description of part.

Q'ty → Quantity of part used on that page.

S.No. → Serial number range of the equipment that this part will fit.

>= Your serial number should be greater than or equal to the number shown.

<= Your serial number should be lesser than or equal to the serial number shown.

I/C → Interchangeability of part shown.

↔ The part shown will work for the older and later serial number.

The part shown is not interchangeable with the other serial number.

← new for old

→ old for new

Remarks → Notes about this particular part. Sometimes this may say except [FR] or [CA]

Note about Country Codes:

The parts books we use in the United States of America may also contain information about a part that would be different in another country. It is important that you are aware of the country codes in some instances.

Symbol	Country
A	United States of America
CA	Canada
FR	France
GR	Greece
PO	Portugal
AU	Australia

If the remarks column says for example EXCEPT [FR] this part works in all countries except France. That means it will work here in the USA.

GCK54-TG

Part No.		Book
01001	SAFETY SIGNS	100Z0226
01002	BLOWER COMPONENTS	100Z0226
01003	BLOWER DRIVE COMPONENTS	100Z0226
01004	ENGAGEMENT CONTROLLER COMPONENTS	100Z0226
01005	BOOT & HOSE COMPONENTS	100Z0226
01006	ENGAGEMENT PULLEY ASSEMBLY COMPONENTS	100Z0226
01007	FAN SHAFT ASSEMBLY COMPONENTS	100Z0226
01008	GEARBOX COMPONENTS	100Z0226
01009	GRASS BAG & FRAME COMPONENTS	100Z0226
01010	GRASS CATCHER LID COMPONENTS	100Z0226
01011	MISCELLANEOUS LID COMPONENTS	100Z0226

⚠ WARNING

TO AVOID PERSONAL INJURY:

1. Do not open grass catcher cover while blades are turning.
2. Shut off engine before removing or installing bag.
3. Operate mower with complete bagging components in place.

1. 66071-99081

66071-99081

⚠ WARNING



TO AVOID INJURY:

Make sure all shields and guards are in place, and the chute is securely fastened to the blower housing before mower or grass catcher operation.

Do not clean, unclog, or service the mower or grass catcher with the tractor engine running.

2. 76700-41701

76700-41701

⚠ WARNING

- Shield Missing.
- DO NOT Operate.

70050-93896

3. 70050-93896

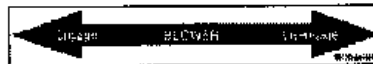
⚠ WARNING

TO AVOID THE POSSIBILITY OF INJURY:

1. Read and understand all safety and instruction labels on this equipment, as well as all safety precautions found in the Operator's Manual for this equipment, BEFORE its use.
2. Do not modify or alter, or permit anyone else to modify or alter this equipment, or any of its components or operating functions, without the express written permission of the equipment manufacturer.

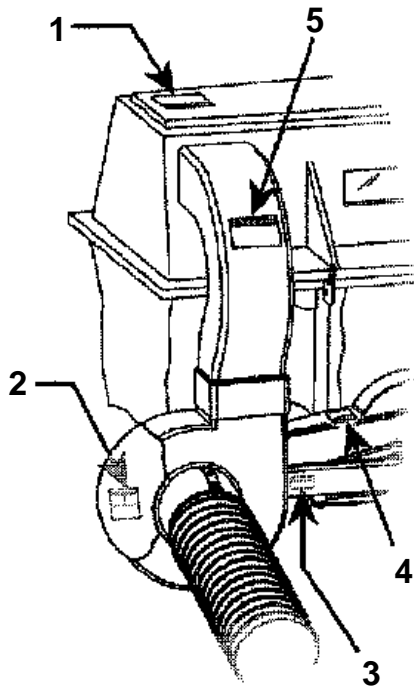
046291

4. 70050-93958



7. 70050-94959

place on
Tractors Right Rear Fender
(to be read from operator's seat)



⚠ WARNING

TO AVOID POSSIBLE INJURY:

Do not operate mower without all grass catcher components properly installed.

66071-99081

5. 66071-99091

⚠ CAUTION

- BAG IS SUBJECT TO WEAR AND DETERIORATION. CHECK IT FREQUENTLY, REPLACE WHEN NECESSARY.
- USE A BAG SUPPLIED BY KUBOTA.

PRINTED ON BAG
6. 70050-93026
(P/N for one grass bag)

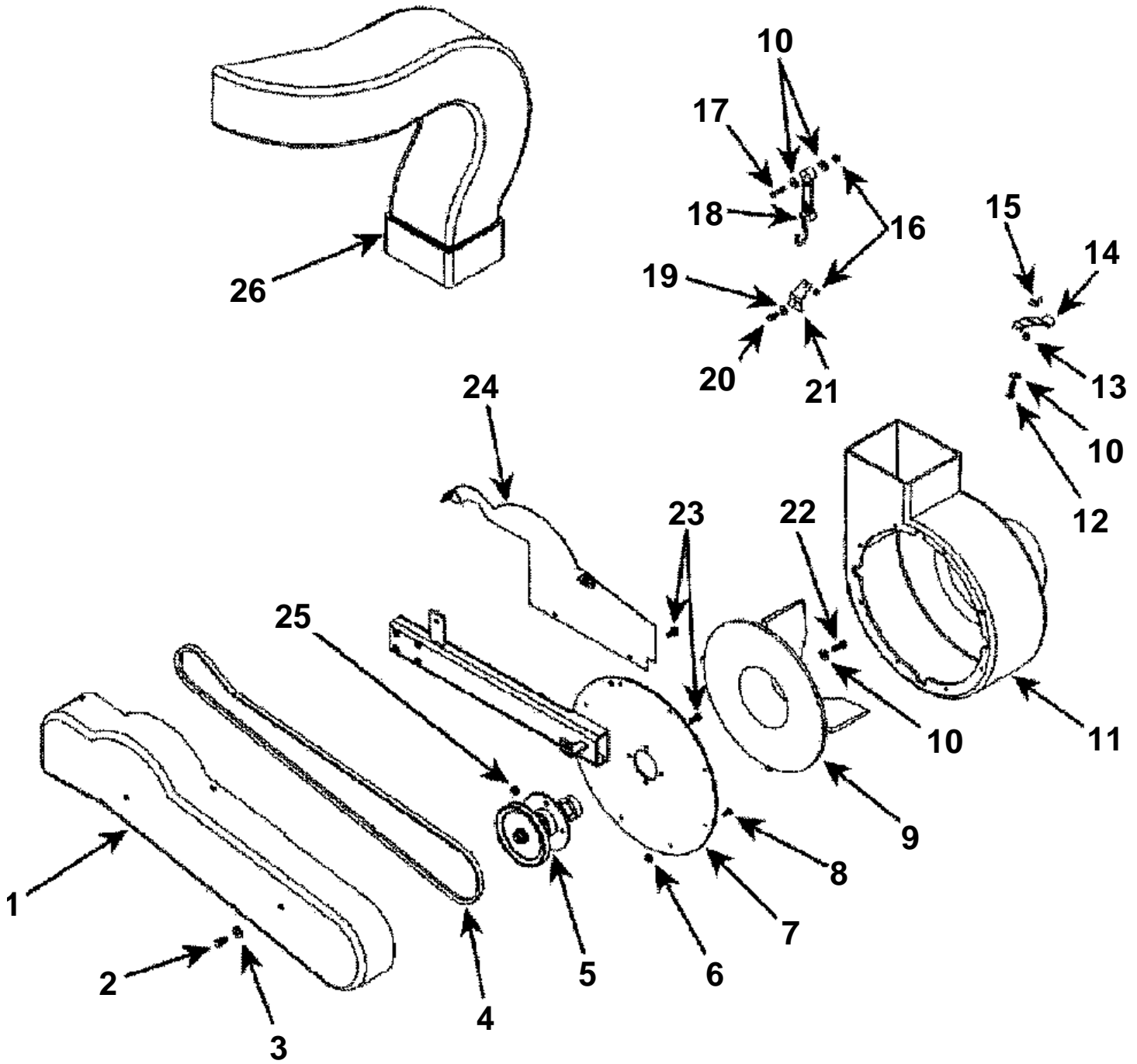


SAFETY SIGNS

↔ Interchangeable; ≠ not interchangeable; ← new for old; → old for new

REF.No	Part No.	Description	Q'ty	S.No.	I/C	REMARKS	Weight (kgf)	Weight (lb)
1	66071-99081	LABEL WARNING	1				0	0
2	76700-41701	LABEL WARNING	1				0	0
3	70050-93896	LABEL WARNING	1				0	0
4	70050-93958	LABEL WARNING	1				0.002	0.0044
5	66071-99091	LABEL WARNING	1				0	0
6	70050-93026	LABEL CAUTION	1				0.3	0.66
7	70050-94959	LABEL BLOWER	1				0	0

BLOWER COMPONENTS



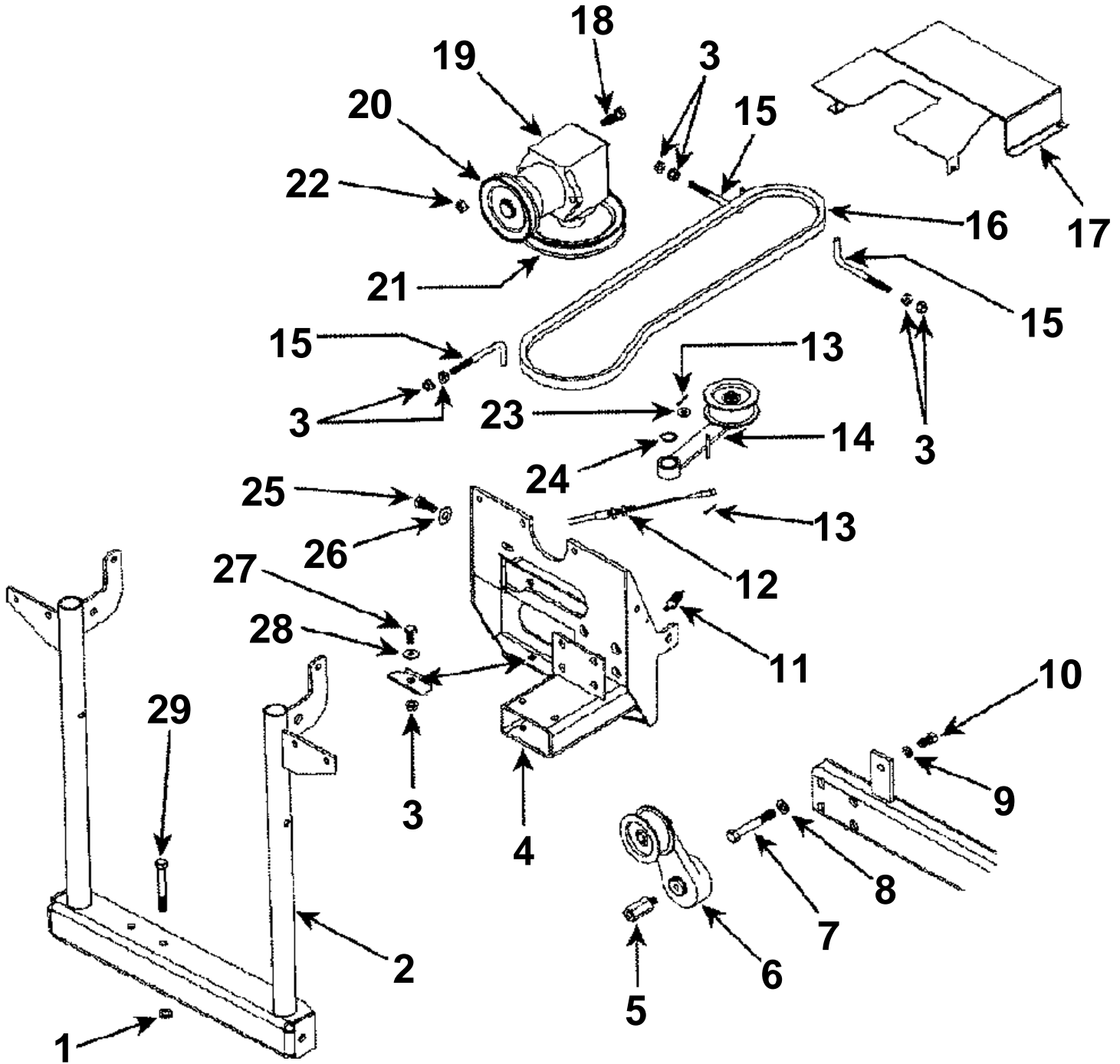


BLOWER COMPONENTS

↔ Interchangeable; ≠ not interchangeable; ← new for old; → old for new

REF.No	Part No.	Description	Q'ty	S.No.	I/C	REMARKS	Weight (kgf)	Weight (lb)
1	70050-94909	SHIELD BLOWER BELT	1				0	0
2	75599-01315	BOLT	4				0	0
3	75599-32113	FLATWASHER	4				0	0
4	70050-94920	BELT BLOWER-A74	1				0	0
5	70050-94912	SPINDLE ASSY BLOWER	1				0	0
6	70050-94932	WHIZ-LOC NUT	8				0	0
7	70050-94903	BLOWER FRAME	1				0	0
8	70050-94933	CARRIAGE BOLT	8				0	0
9	70050-94894	FAN	1				0	0
10	75599-32112	FLATWASHER	7				0	0
11	70050-94893	HOUSING BLOWER	1				0	0
12	75599-01225	BOLT	1				0	0
13	75599-31932	LOCKNUT	1				0	0
14	70050-94922	LATCH HOSE	1				0	0
15	70050-94934	WING NUT	1				0	0
16	75599-31931	LOCKNUT	2				0.004	0.0088
17	75599-01125	BOLT	1				0.009	0.0198
18	66091-99341	HOOKBAND	1				0	0
19	75599-32111	FLATWASHER	1				0.002	0.0044
20	75599-01115	BOLT	1				0	0
21	66091-99334	BRACKET HOOK BAND L	1				0	0
22	75599-01220	BOLT	4				0	0
23	75599-01215	BOLT	6				0	0
24	70050-94935	PLATE BELT SHIELD	1				0	0
25	70080-01326	WHIZ-LOC NUT	4				0.01	0.022
26	70050-94892	CHUTE	1				0	0

BLOWER DRIVE COMPONENTS



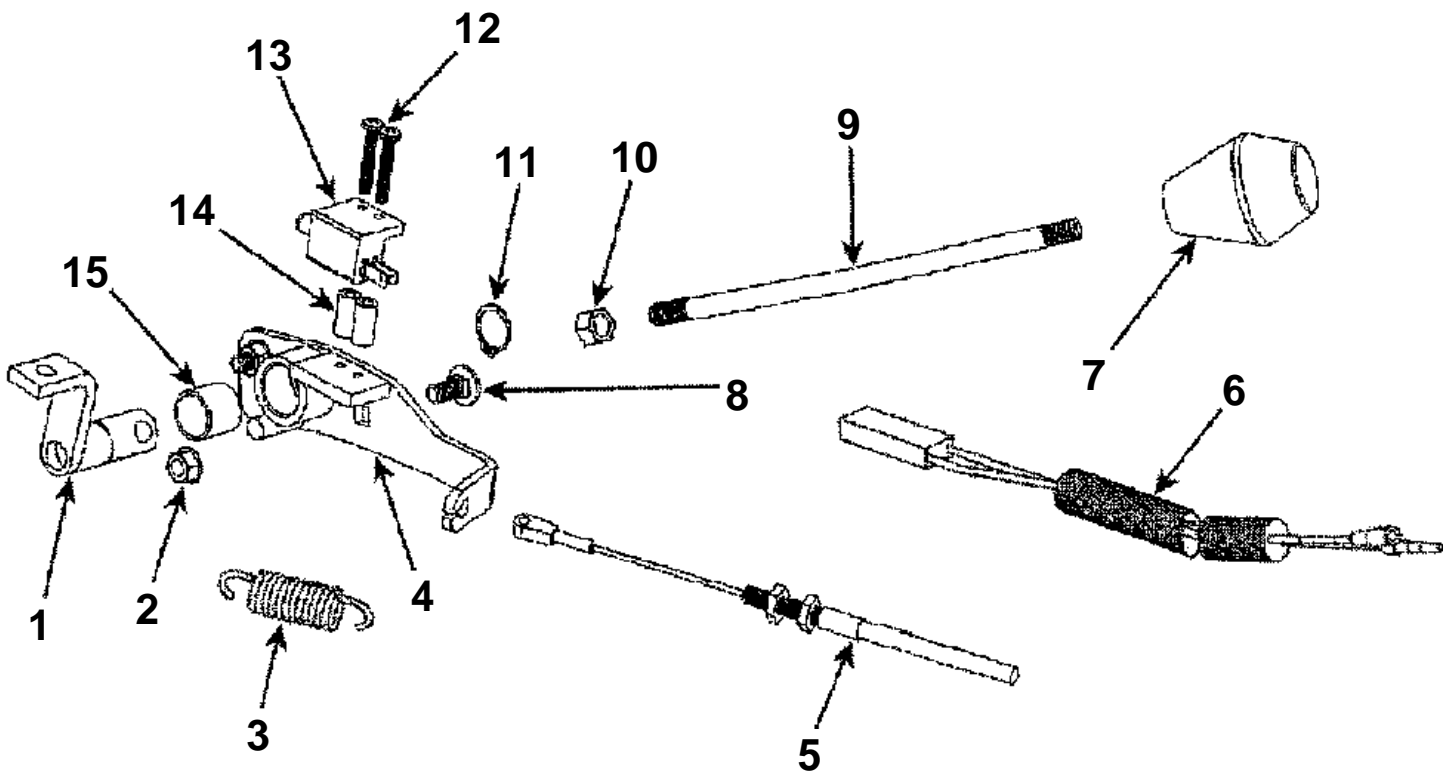


BLOWER DRIVE COMPONENTS

↔ Interchangeable; ≠ not interchangeable; ← new for old; → old for new

REF.No	Part No.	Description	Q'ty	S.No.	I/C	REMARKS	Weight (kgf)	Weight (lb)
1	70050-94771	FLANGE NUT	2				0	0
2	70050-94895	FRAME VERTICAL	1				0	0
3	70080-01326	WHIZ-LOC NUT	8				0.01	0.022
4	70050-94898	FRAME BLOWER MOUNT	1				0	0
5	70050-94923	MOUNT BELT COVER	1				0	0
6	70050-94897	TENSIONER ASSY BELT	1				0	0
7	75599-01450	BOLT	4				0	0
8	75599-33014	LOCKWASHER	4				0	0
9	75599-33013	LOCKWASHER	1				0.01	0.022
10	75599-01315	BOLT	2				0	0
11	65722-73281	SPRING TENSION	1				0	0
12	70050-94863	CABLE ASSY	1				0.3	0.66
13	75599-53132	COTTER PIN	2				0	0
14	70050-94906	ARM ASSY BELT ENGAG	1				0	0
15	70050-94913	GUIDE BELT	3				0	0
16	70050-94905	BELT B54	1				0	0
17	70050-94904	COVER TRACTOR HST	1				0	0
18	75599-01325	BOLT	2				0	0
19	70050-94911	GEARBOX ASY	1				0	0
20	76736-99251	PULLEY A-4.0 OD	1				0	0
21	70050-94914	PULLEY B-6.0 OD	1				0	0
22	75599-31933	LOCKNUT	2				0	0
23	75599-32110	FLATWASHER	1				0	0
24	70050-93549	SNAP RING	1				0.001	0.0022
25	75599-01320	BOLT	4				0	0
26	75599-32113	FLATWASHER	4				0	0
27	75599-01220	BOLT	2				0	0
28	75599-32112	FLATWASHER	2				0	0
29	75599-01360	BOLT	2				0	0

ENGAGEMENT CONTROLLER COMPONENTS

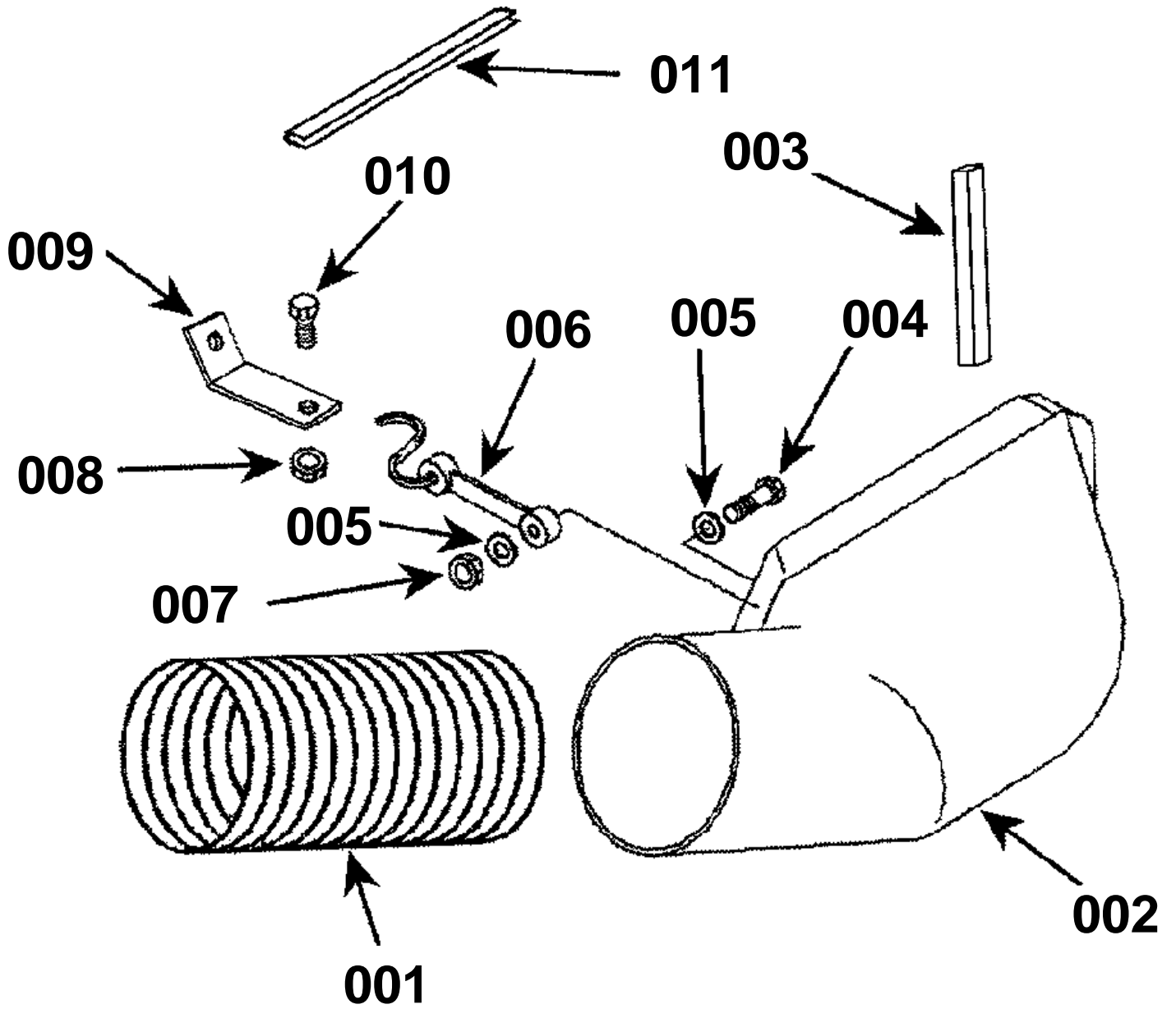




ENGAGEMENT CONTROLLER COMPONENTS

↔ Interchangeable; ≠ not interchangeable; ← new for old; → old for new

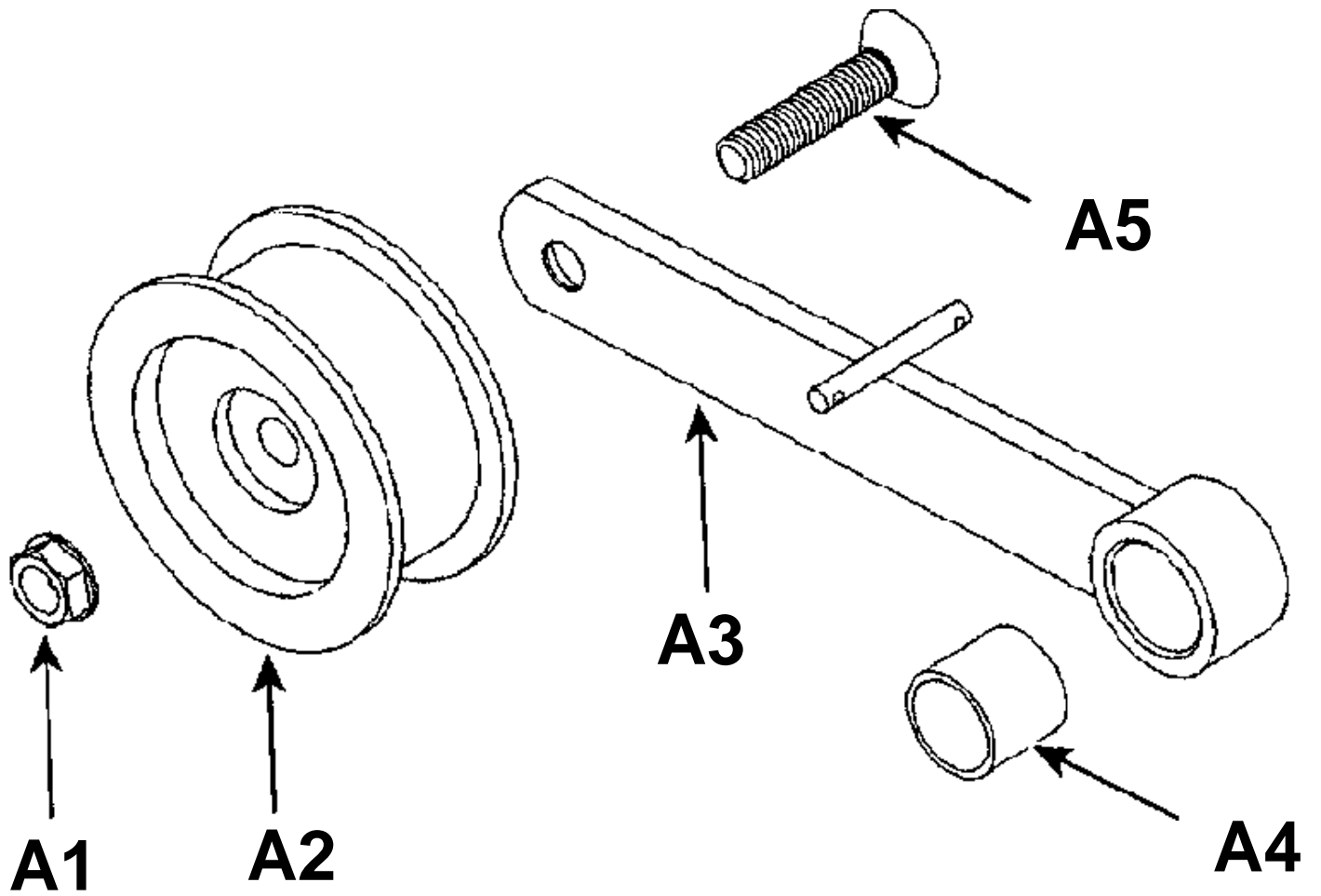
REF.No	Part No.	Description	Q'ty	S.No.	I/C	REMARKS	Weight (kgf)	Weight (lb)
1	70050-94930	PIVOT FRONT LEVER	1				0	0
2	70080-01326	WHIZ-LOC NUT	2				0.01	0.022
3	76700-40952	SPRING TENSION	1				0	0
4	70050-94967	BRACKET FRONT ENGAG	1				0	0
5	70050-94863	CABLE ASSY	1				0.3	0.66
6	70050-94918	HARNES SWITCH WIRI	1				0	0
7	70050-94929	KNOB	1				0	0
8	70050-94189	CARRIAGE BOLT	2				0	0
9	70050-94928	HANDLE	1				0	0
10	75599-31013	NUT	1				0	0
11	70050-93549	SNAP RING	1				0.001	0.0022
12	70050-94965	SCREW	2				0	0
13	70050-94931	SWITCH SAFETY SHUT-	1				0	0
14	70050-94964	SPACER SWITCH	2				0	0
15	65722-73131	BUSHING BRONZE	1				0	0



**BOOT & HOSE COMPONENTS**

↔ Interchangeable; ≠ not interchangeable; ← new for old; → old for new

REF.No	Part No.	Description	Q'ty	S.No.	I/C	REMARKS	Weight (kgf)	Weight (lb)
001	70050-94519	HOSE	1				0	0
002	70050-94926	BOOT	1				0	0
003	70050-93867	FOAM SEAL	1				0	0
004	75599-01125	BOLT	2				0.009	0.0198
005	75599-32111	FLATWASHER	4				0.002	0.0044
006	66091-99341	HOOKBAND	2				0	0
007	75599-31931	LOCKNUT	2				0.004	0.0088
008	75599-31932	LOCKNUT	1				0	0
009	70050-94924	BRACKET HOOK BAND	1				0	0
010	75599-01220	BOLT	1				0	0
011	70050-94960	TRIMLOCK	1				0	0

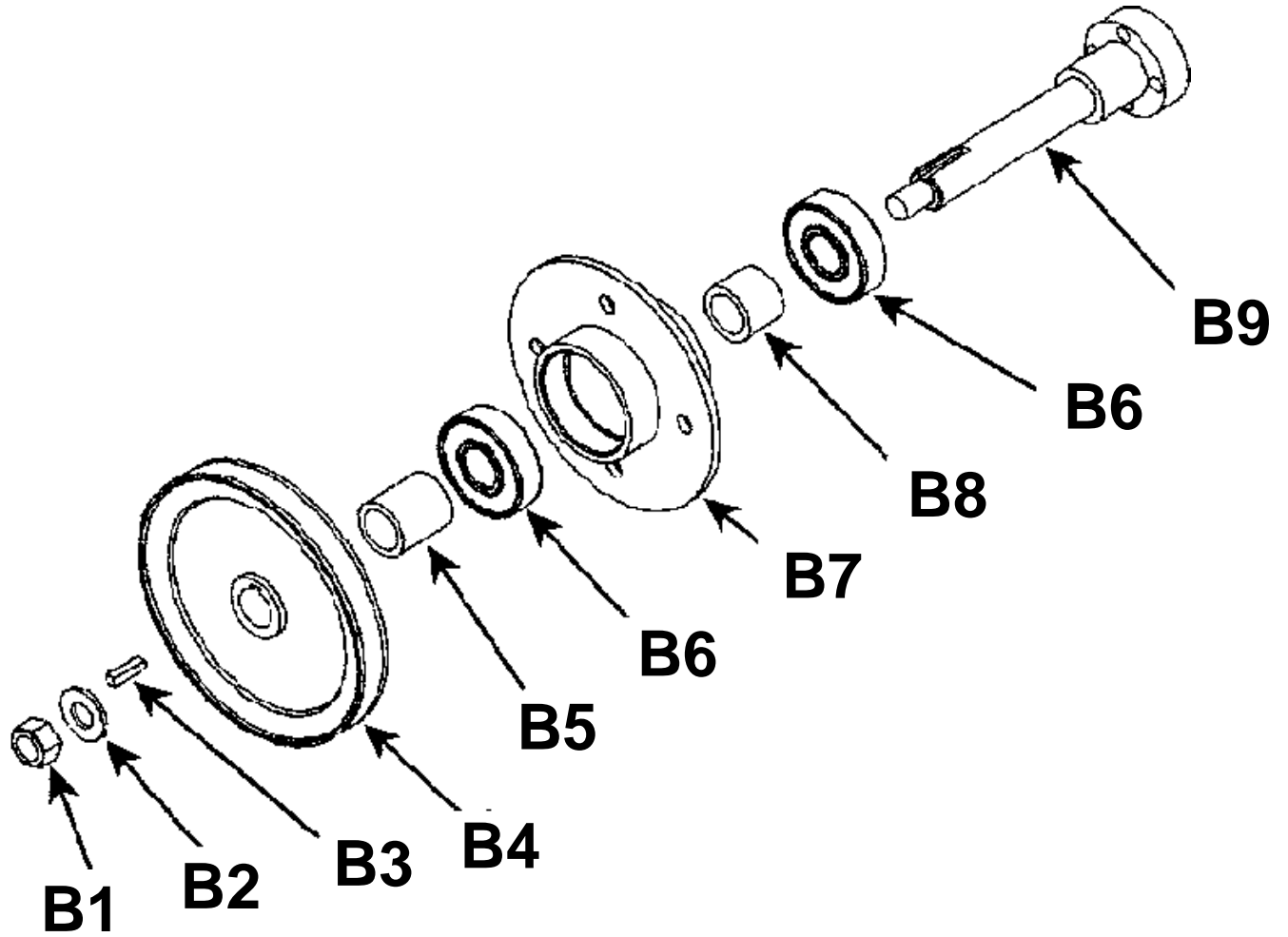




ENGAGEMENT PULLEY ASSEMBLY COMPONENTS

↔ Interchangeable; ≠ not interchangeable; ← new for old; → old for new

REF.No	Part No.	Description	Q'ty	S.No.	I/C	REMARKS	Weight (kgf)	Weight (lb)
A1	70050-94771	FLANGE NUT	1				0	0
A2	70050-94908	IDLER PULLEY BELT E	1				0	0
A3	70050-94907	ARM ENGAGEMENT	1				0	0
A4	65722-73131	BUSHING BRONZE	1				0	0
A5	70050-94932	BOLT	1				0	0



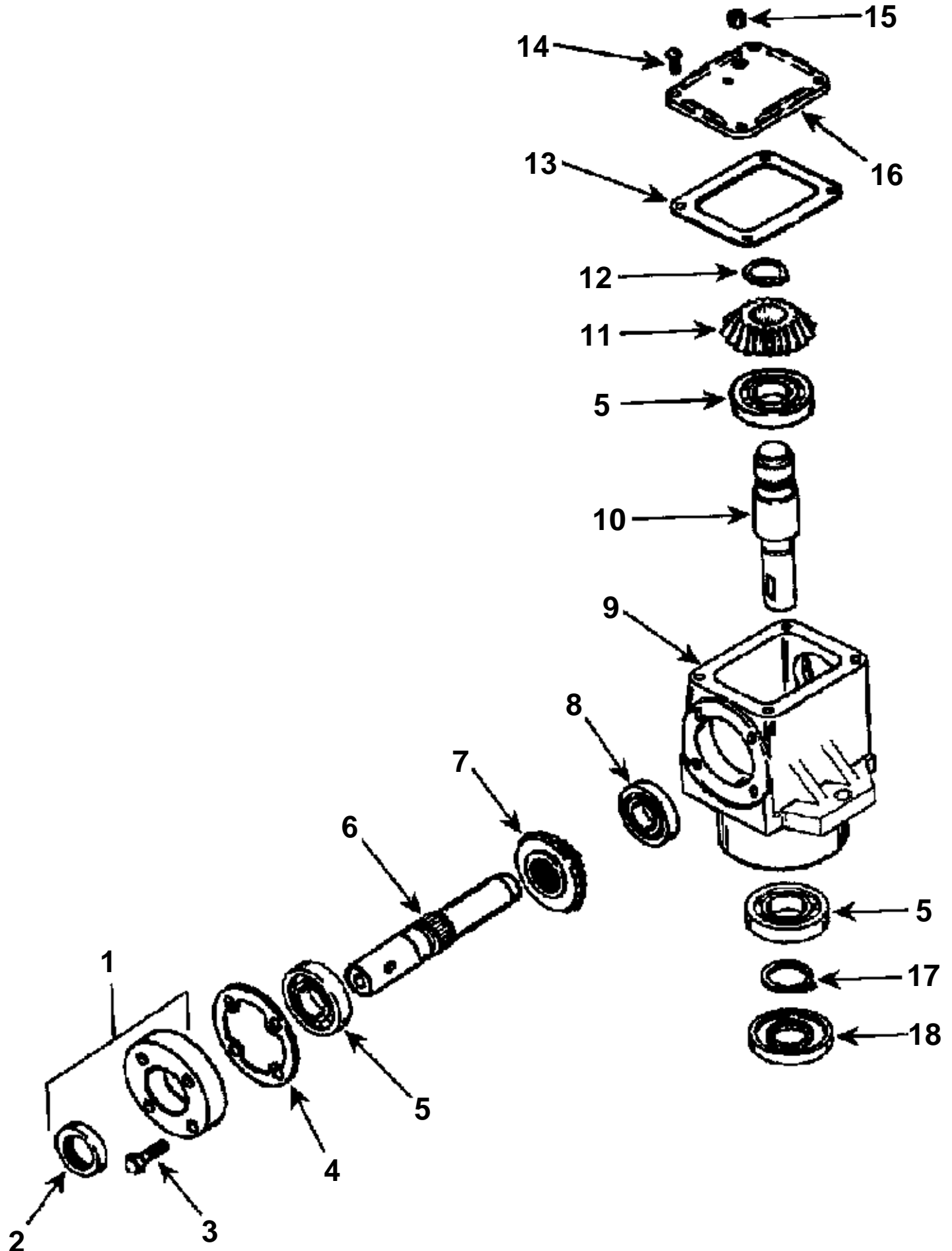


FAN SHAFT ASSEMBLY COMPONENTS

↔ Interchangeable; ≠ not interchangeable; ← new for old; → old for new

REF.No	Part No.	Description	Q'ty	S.No.	I/C	REMARKS	Weight (kgf)	Weight (lb)
B1	75599-31025	NUT	1				0	0
B2	75599-32115	FLATWASHER	1				0	0
B3	70050-93195	KEY	1				0	0
B4	70050-94910	PULLEY	1				0	0
B5	70050-94896	SPACER PULLEY	1				0	0
B6	08141-06304	BEARING ASSY	2				0.142	0.3124
B7	70050-94850	HOUSING FAN SHAFT	1				0	0
B8	70050-94847	SPACER SHAFT	1				0	0
B9	70050-94899	FAN SHAFT	1				0	0

GEARBOX COMPONENTS



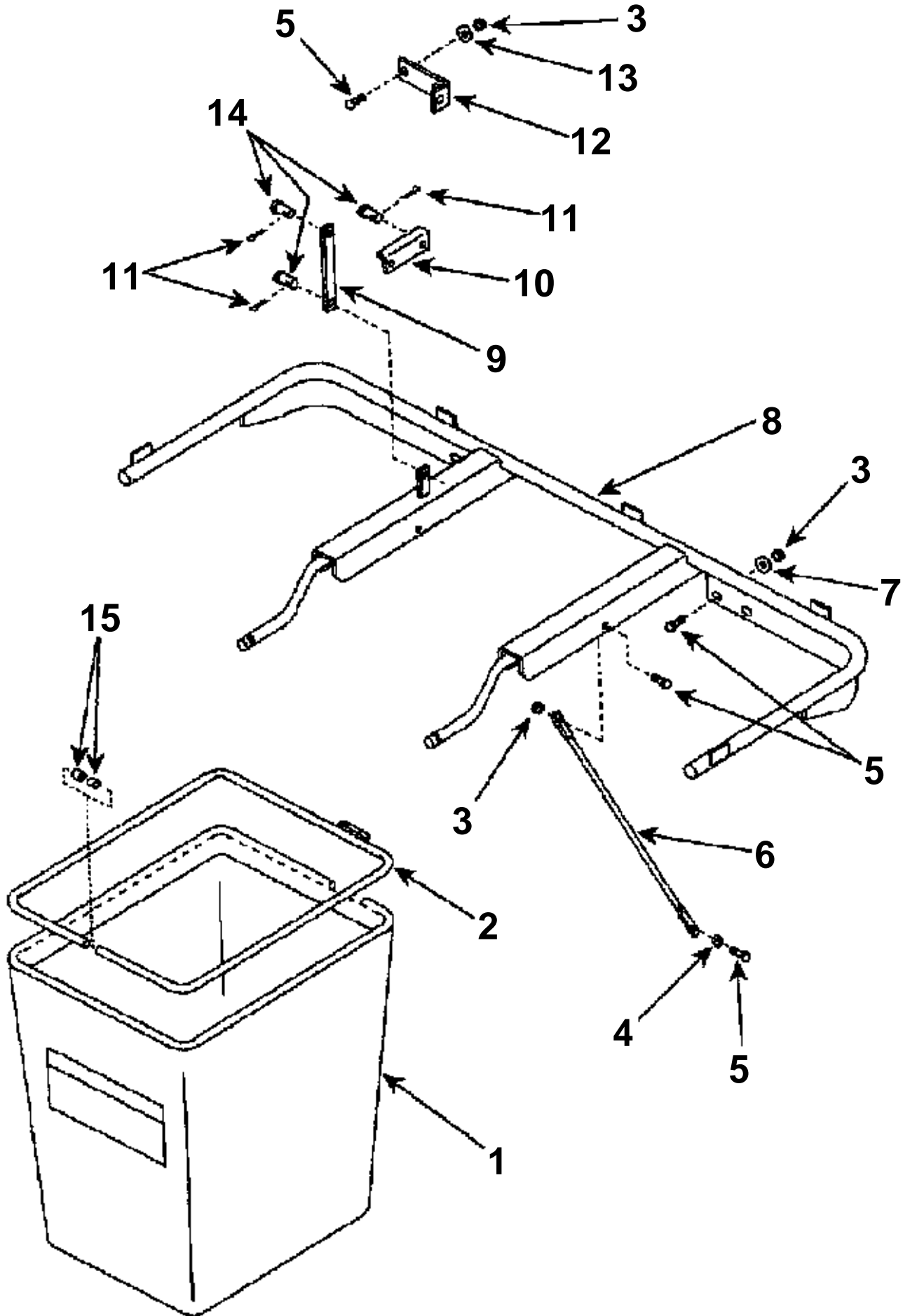


GEARBOX COMPONENTS

↔ Interchangeable; ≠ not interchangeable; ← new for old; → old for new

REF.No	Part No.	Description	Q'ty	S.No.	I/C	REMARKS	Weight (kgf)	Weight (lb)
1	70050-93954	RETAINER CAP	1				0	0
2	70050-93995	SEAL INPUT SHAFT	1				0	0
3	70050-93956	BOLT	4				0	0
4	70050-93952	GASKET RETAINER CAP	1				0	0
5	70050-93947	BEARING ASSY	1				0	0
6	70050-94890	SHAFT INPUT	1				0	0
7	70050-94889	GEAR	1				0	0
8	70050-93948	BEARING ASSY	1				0	0
9	70050-93941	HOUSING GEAR BOX	1				0	0
10	70050-93944	SHAFT OUTPUT	1				0	0
11	70050-93942	GEAR	1				0	0
12	70050-93950	RETAINING RING	1				0	0
13	70050-93946	GASKET COVER	1				0	0
14	70050-93953	SCREW	4				0	0
15	70050-93957	PIPE PLUG	1				0	0
16	70050-93945	COVER	1				0	0
17	70050-93949	RETAINING RING	1				0	0
18	70050-93951	SEAL OUTPUT SHAFT	1				0	0

GRASS BAG & FRAME COMPONENTS



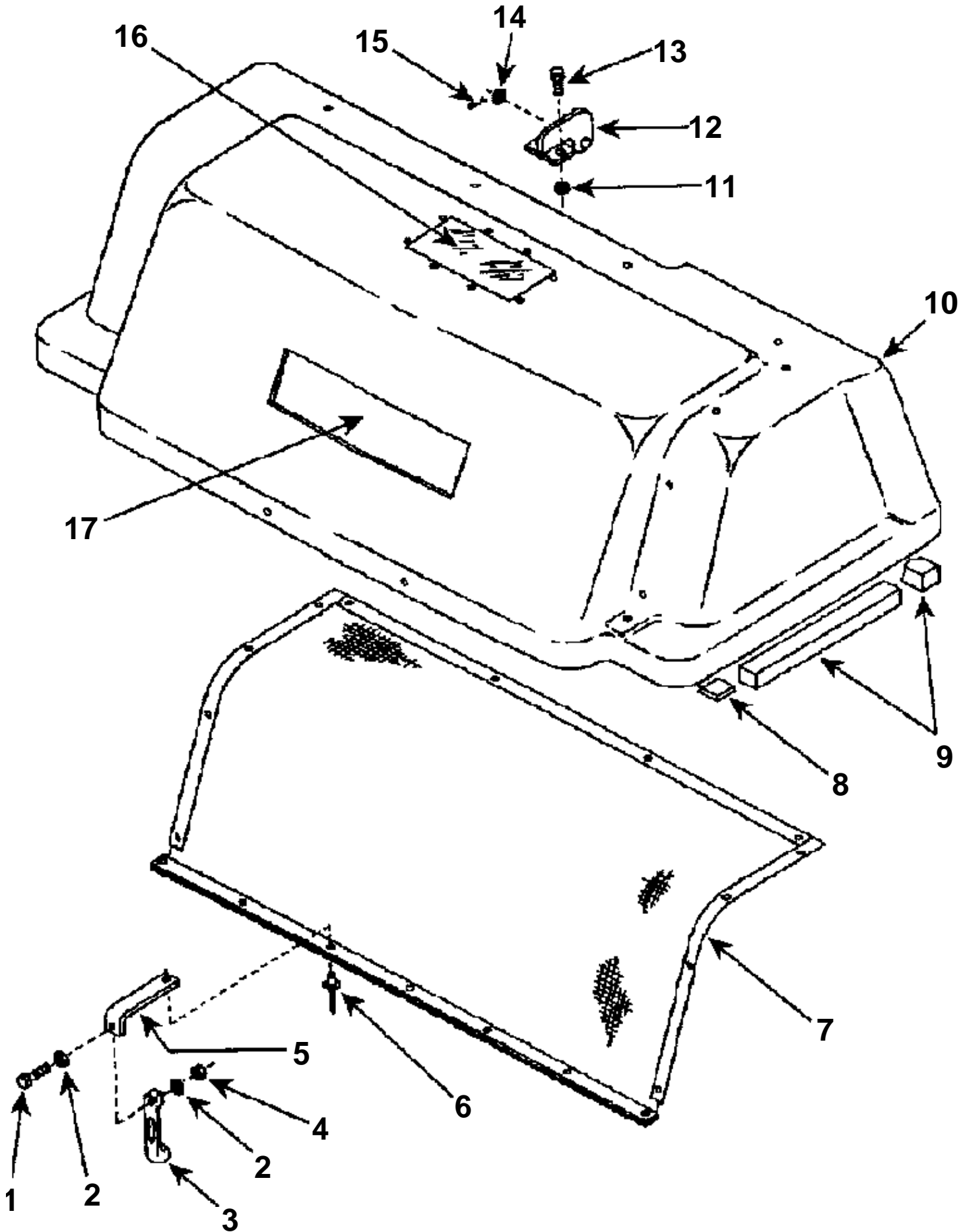


GRASS BAG & FRAME COMPONENTS

↔ Interchangeable; ≠ not interchangeable; ← new for old; → old for new

REF.No	Part No.	Description	Q'ty	S.No.	I/C	REMARKS	Weight (kgf)	Weight (lb)
1	70050-93026	GRASS BAG	3				0.3	0.66
2	66071-99241	FRAME GRASS BAG	3				0	0
3	75599-31932	LOCKNUT	8				0	0
4	75599-33012	LOCKWASHER	2				0.002	0.0044
5	75599-01215	BOLT	6				0	0
6	76710-55502	ROD FRAME BRACE	2				0	0
7	75599-32112	FLATWASHER	4				0	0
8	76710-55401	FRAME BAG SUPPORT	1				0	0
9	K6051-53201	PLATE LINK	1				0	0
10	76710-53101	PLATE LATCH	1				0	0
11	75599-52220	COTTER PIN	4				0	0
12	76710-53001	PLATE HINGE	1				0	0
13	70080-01270	FENDER WASHER	2				0	0
14	75599-51210	CLEVIS PIN	3				0	0
15	70050-94435	VYNIL CAP BAG PROTE	6				0	0

GRASS CATCHER LID COMPONENTS

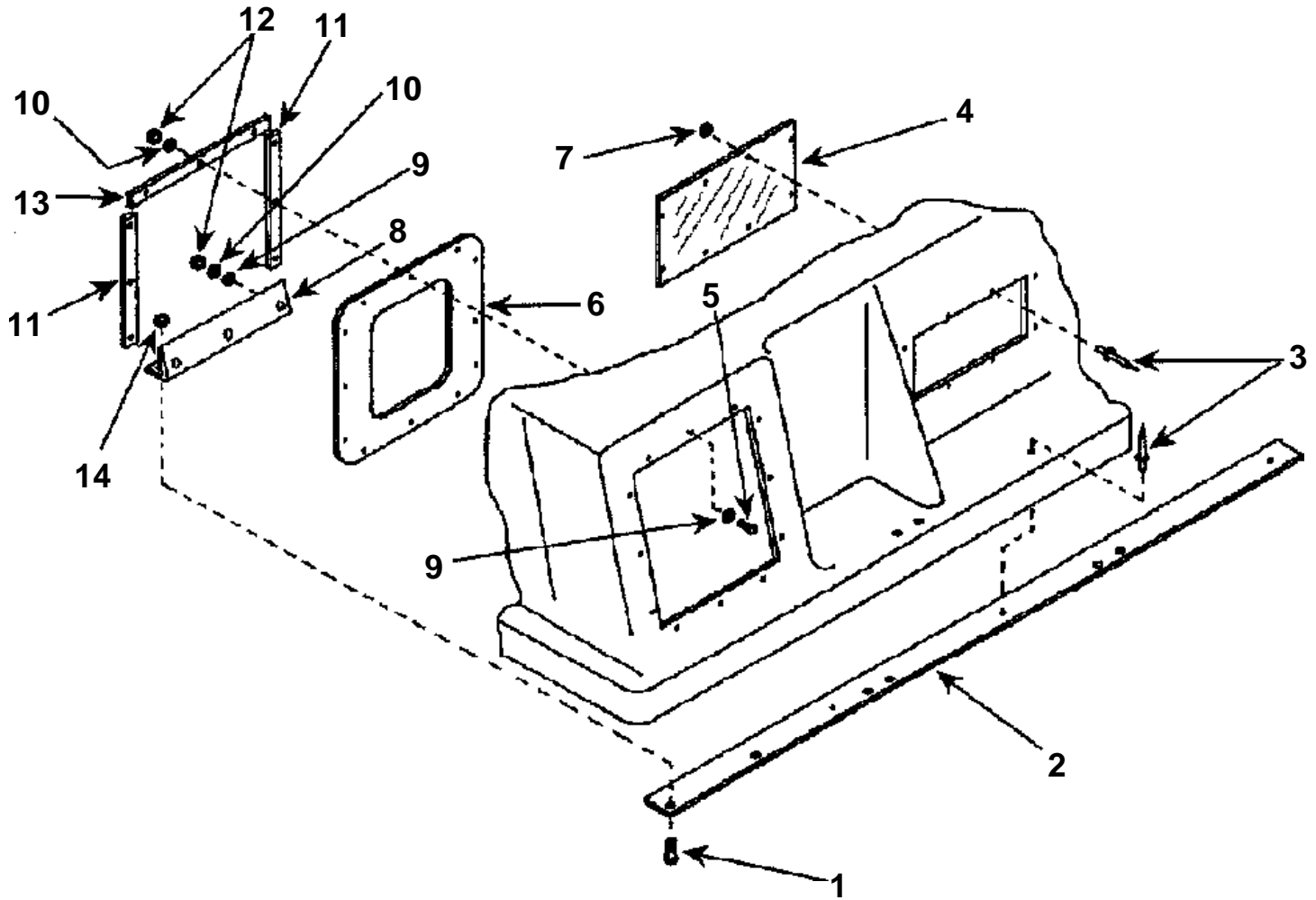




GRASS CATCHER LID COMPONENTS

↔ Interchangeable; ≠ not interchangeable; ← new for old; → old for new

REF.No	Part No.	Description	Q'ty	S.No.	I/C	REMARKS	Weight (kgf)	Weight (lb)
1	75599-01125	BOLT	2				0.009	0.0198
2	75599-32111	FLATWASHER	4				0.002	0.0044
3	66071-99282	HOOKBAND	2				0	0
4	75599-31931	NUT	2				0.004	0.0088
5	66071-99072	PLATE HOOKBAND	2				0	0
6	66071-99331	POP RIVET	2				0	0
7	76710-52401	KIT DUST SCREEN	1				0	0
8	70050-93878	FOAM SEAL	1				0	0
9	70050-93867	FOAM SEAL	1				0	0
10	76710-57002	COVER 3 BAG GRASS C	1				0	0
11	75599-31932	LOCKNUT	4				0	0
12	76710-52051	HINGE LID COVER	2				0	0
13	75599-01220	BOLT	4				0	0
14	75599-32112	FLATWASHER	2				0	0
15	75599-52220	COTTER PIN	2				0	0
16	76700-52151	WINDOW	1				0	0
17	66071-99341	SIGN KUBOTA TRADEM	1				0	0
N/A	70050-93867	FOAM SEAL	1				0	0





MISCELLANEOUS LID COMPONENTS

↔ Interchangeable; ≠ not interchangeable; ← new for old; → old for new

REF.No	Part No.	Description	Q'ty	S.No.	I/C	REMARKS	Weight (kgf)	Weight (lb)
1	75599-01215	BOLT	2				0	0
2	76710-52101	PLATE 1	1				0	0
3	66071-99321	POP RIVET	37				0	0
4	76700-52151	WINDOW	1				0	0
5	70050-93883	SCREW	12				0	0
6	76710-52601	SEAL RUBBER	1				0	0
7	66071-99851	FLATWASHER	18				0	0
8	76710-52701	PLATE SEAL 1	1				0	0
9	70050-94437	FLATWASHER #8	15				0	0
10	70050-94436	LOCKWASHER #8	12				0	0
11	76710-52901	PLATE SEAL 3	2				0	0
12	70050-93884	NUT	12				0	0
13	76710-52801	PLATE SEAL 2	1				0	0
14	75599-31932	LOCKNUT	2				0	0