

Instructions for Parts Books

The heading at the top of the page will be the same for the picture of the parts as it is for the page with the part numbers.

Definition of column headings on part number pages:

REF.No → The number referring to the part on the picture page of the parts book.

Part No. → The number assigned to this part at the time of printing the parts book.

Description → Description of part.

Q'ty → Quantity of part used on that page.

S.No. → Serial number range of the equipment that this part will fit.

>= Your serial number should be greater than or equal to the number shown.

<= Your serial number should be lesser than or equal to the serial number shown.

I/C → Interchangeability of part shown.

↔ The part shown will work for the older and later serial number.

The part shown is not interchangeable with the other serial number.

← new for old

→ old for new

Remarks → Notes about this particular part. Sometimes this may say except [FR] or [CA]

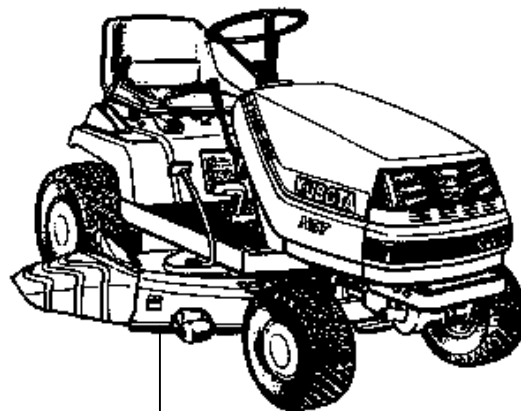
Note about Country Codes:

The parts books we use in the United States of America may also contain information about a part that would be different in another country. It is important that you are aware of the country codes in some instances.

Symbol	Country
A	United States of America
CA	Canada
FR	France
GR	Greece
PO	Portugal
AU	Australia

If the remarks column says for example EXCEPT [FR] this part works in all countries except France. That means it will work here in the USA.

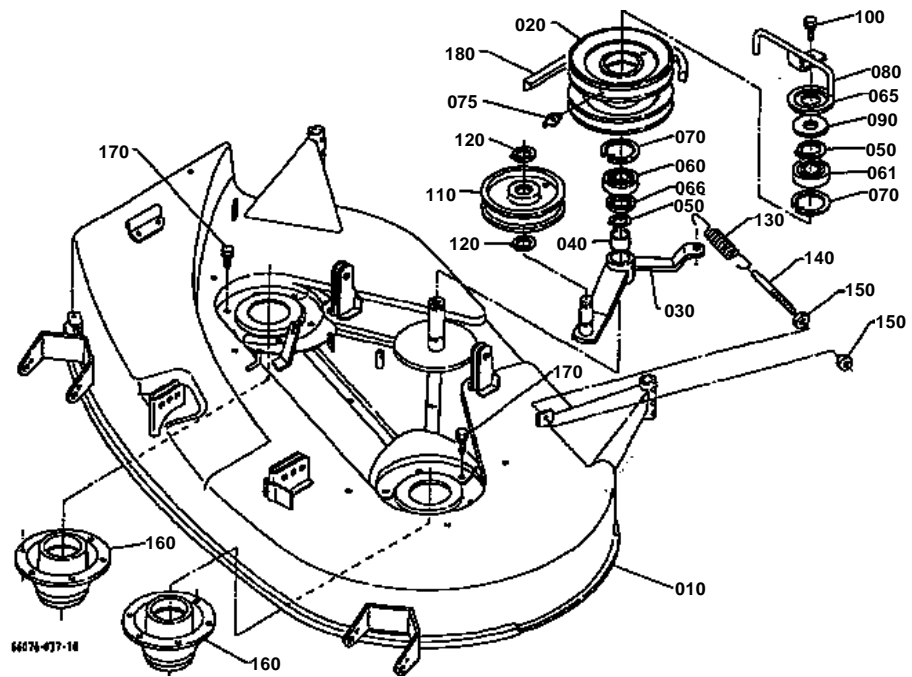
ALL PRODUCT INDEX
RC40LT



MOWER

Item	Part No.	Description	Book
MOWER	01G47	MOWER DECK	100K0278
	01G48	BLADE	100K0278
	01G49	MOWER ROLLER AND LABEL	100K0278

MOWER DECK

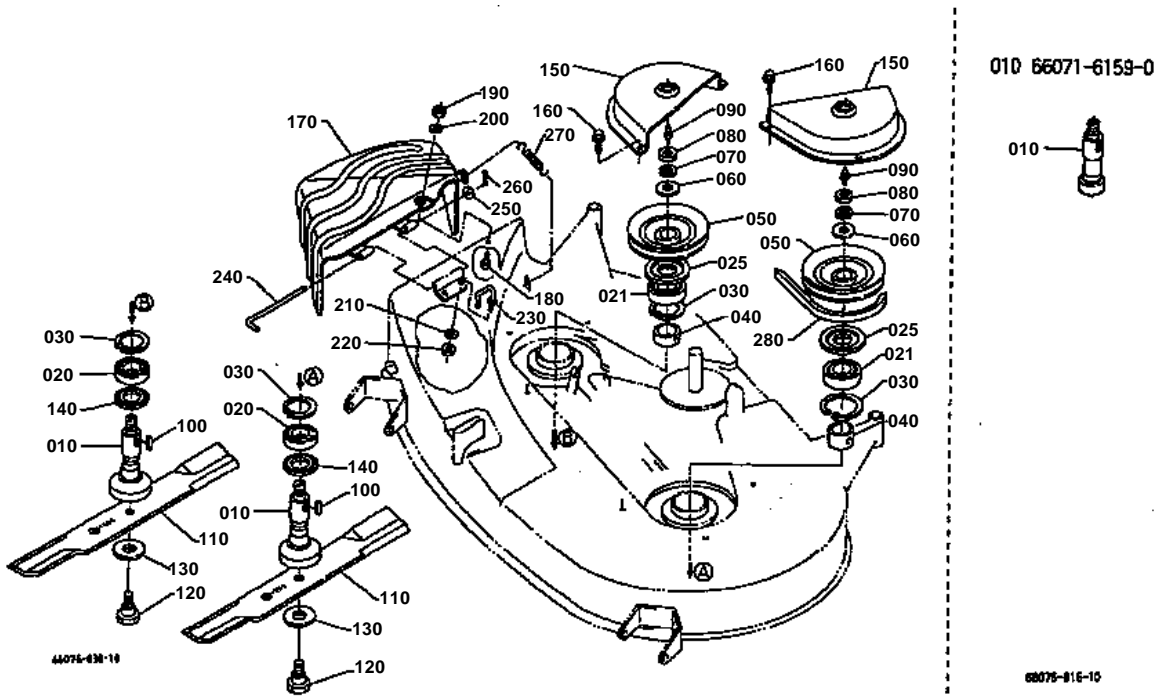


**MOWER DECK**

↔ Interchangeable; ≠ not interchangeable; ← new for old; → old for new

REF.No	Part No.	Description	Q'ty	S.No.	I/C	REMARKS	Weight (kgf)	Weight (lb)
010	66071-61514	DECK MOWER	1	<=21808			0	0
010	66071-61516	DECK MOWER	1	>=21809	←		0	0
010	66071-61517	DECK MOWER	1	>=29790	≠		32	70.4
020	66071-61520	V PULLEY	1	<=29789			1.33	2.926
020	66071-61522	V PULLEY	1	>=29790	≠		1.35	2.97
030	66071-61530	TENSION ARM MOWER	1				0.48	1.056
040	08511-02520	BUSH	1				0.02	0.044
050	04612-00250	CIR CLIP EXTERNAL	2				0.002	0.0044
060	08141-06205	BEARING BALL	2	<=29789			0.118	0.2596
060	08111-06205	BEARING BALL	1	>=29790	≠		0.13	0.286
061	08141-06205	BEARING BALL	1	>=29790			0.118	0.2596
065	66071-61600	COVER	1	>=29790			0.04	0.088
066	76516-61560	COVER LOWER	1	>=29790			0	0
066	76516-61590	COVER LOWER	1	>=29937	←		0.02	0.044
070	04611-00520	CIR CLIP INTERNAL	2				0.009	0.0198
075	06613-10675	NIPPLE GREASE	1	>=29790			0.003	0.0066
080	66071-61540	RETAINER BELT	1				0.135	0.297
090	66071-61840	SPACER	1				0.12	0.264
100	01754-50812	BOLT FLANGE	1				0.01	0.022
110	66071-61550	TENSION PULLEY MOWER	1	<=29789			0	0
110	76517-61600	ASSY PULLEY TENSION	1	>=29790	↔		0.51	1.122
120	04612-00170	CIR CLIP EXTERNAL	2				0.001	0.0022
130	66071-61560	SPRING	1	<=29789			0	0
130	66071-61563	SPRING	1	>=29790	←		0.09	0.198
140	66071-61570	BOLT TENSION	1				0.043	0.0946
150	02118-50100	NUT	2				0.005	0.011
160	66071-61580	HOLDER PULLEY	2	<=29789			0	0
160	66071-61583	HOLDER PULLEY	2	>=29790	←		0.405	0.891
170	01123-50816	BOLT	12				0	0
180	66071-61720	BELT	1				0.32	0.704

BLADE

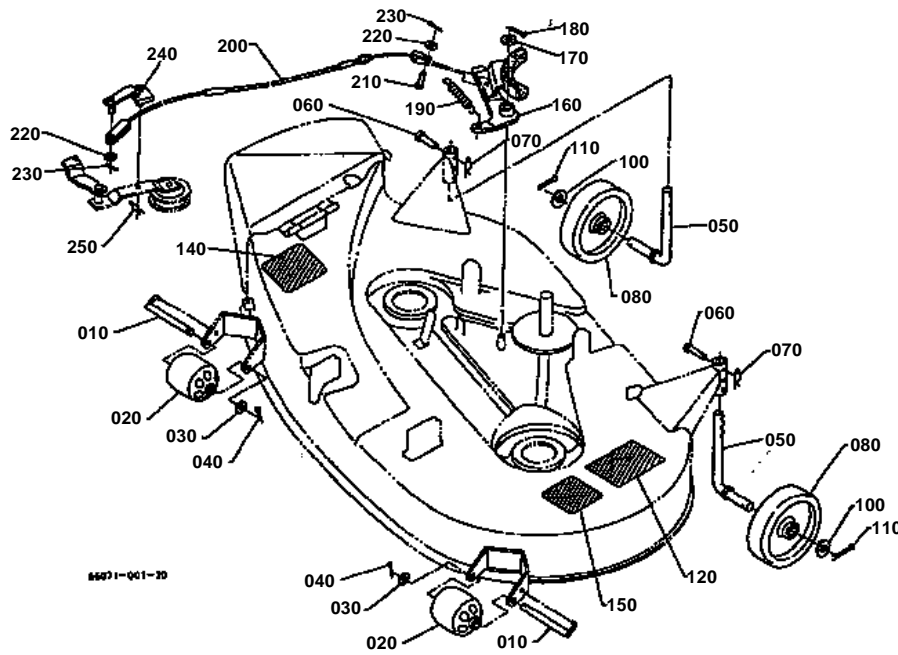


**BLADE**

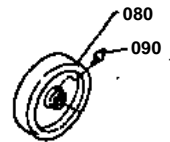
↔ Interchangeable; ≠ not interchangeable; ← new for old; → old for new

REF.No	Part No.	Description	Q'ty	S.No.	I/C	REMARKS	Weight (kgf)	Weight (lb)
010	66071-61590	SHAFT BLADE	2	<=29789			0	0
010	66071-61593	SHAFT BLADE	2	>=29790	←		0.595	1.309
020	08131-06205	BEARING BALL	4	<=29789			0.13	0.286
020	08111-06205	BEARING BALL	2	>=29790	≠		0.13	0.286
021	08141-06205	BEARING BALL	2	>=29790			0.118	0.2596
025	76517-61640	COVER	2	>=29790			0.05	0.11
030	04611-00520	CIR CLIP INTERNAL	4				0.009	0.0198
040	66071-61610	COLLAR	2				0.045	0.099
050	66071-61620	PULLEY MOWER	2				0	0
060	70721-34560	WASHER PLAIN	2				0.01	0.022
070	04512-50160	WASHER SPRING	2				0	0
080	02174-50160	NUT	2				0.022	0.0484
090	06613-10675	NIPPLE GREASE	2				0.003	0.0066
100	05712-00720	KEY FEATHER	2				0.008	0.0176
110	66071-61760	BLADE	2				1	2.2
120	66071-61850	BOLT	2	<=28260			0	0
120	66071-61852	BOLT	2	>=28261	←		0.08	0.176
130	36200-49130	SPRING PLATE	2				0.026	0.0572
140	66071-61630	COLLAR	2	<=29789			0.015	0.033
140	76516-61560	COVER LOWER	2	>=29790	≠		0	0
140	76516-61563	COVER LOWER	2	>=29937	←		0.008	0.0176
150	66071-61640	COVER BELT	2				0.254	0.5588
160	01754-50610	BOLT FLANGE	6				0.006	0.0132
170	66071-61650	DEFLECTOR	1				2.3	5.06
180	01170-51016	BOLT	1				0.016	0.0352
190	02118-50100	NUT	1				0.005	0.011
200	04512-50100	WASHER SPRING	1				0	0
210	04512-50080	WASHER SPRING	1				0	0
220	02114-50080	NUT	1				0.005	0.011
230	66071-61770	STOPPER CHUTE	1				0.049	0.1078
240	66071-61660	PIN HINGE	1				0.035	0.077
250	04013-50060	WASHER PLAIN	1				0	0
260	05511-50218	PIN SPLIT	1				0.001	0.0022
270	70722-47120	SPRING	1				0.06	0.132
280	66071-61730	BELT	1	<=29789			0	0
280	76517-61660	V BELT	1	>=29790	↔		0.32	0.704

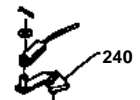
MOWER ROLLER AND LABEL



080 66071-6171-2
090 06613-10675



240 66071-6183-0



66082-310-10



MOWER ROLLER AND LABEL

↔ Interchangeable; ≠ not interchangeable; ← new for old; → old for new

REF.No	Part No.	Description	Q'ty	S.No.	I/C	REMARKS	Weight (kgf)	Weight (lb)
010	66071-61680	PIN WHEEL	2				0.115	0.253
020	76505-46250	ROLLER ANTI-SCALP	2				0.182	0.4004
030	04011-50120	WASHER PLAIN	2				0.005	0.011
040	05511-50425	PIN SPLIT	2				0.003	0.0066
050	66071-61690	SUPPORT GAUGE WHEEL	2	<=10009			0.62	1.364
050	66071-61693	SUPPORT GAUGE WHEEL	2	>=10010	≠		0	0
050	66071-61694	SUPPORT GAUGE WHEEL	2	>=17153	←		0.57	1.254
060	05112-50840	PIN JOINT	2				0.017	0.0374
070	05516-50800	PIN SNAP	2				0.002	0.0044
080	66071-61710	GAUGE WHEEL	2	<=18091			0.29	0.638
080	66071-61712	GAUGE WHEEL	2	>=18092	←		0	0
080	66071-61713	GAUGE WHEEL	2	>=21608	↔		0	0
090	06613-10675	NIPPLE GREASE	2	<=21607			0.003	0.0066
100	64135-14290	COLLAR	2				0	0
110	05511-50435	PIN SPLIT	2				0.004	0.0088
120	66071-61740	LABEL CUTTING HEIGHT	1			[A]	0.002	0.0044
120	66082-61740	LABEL CUTTING HEIGHT	1			[CA]	0.002	0.0044
130	99999-99999	BLANK	0				0	0
140	66071-61780	LABEL CAUTION	1			[A]	0.005	0.011
150	66071-61790	LABEL CAUTION	1			[A]	0.002	0.0044
150	66082-11420	LABEL CAUTION	1			[CA]	0.003	0.0066
160	66071-61810	BRAKE MOWER	1				0.18	0.396
170	04011-50100	WASHER PLAIN	1				0.002	0.0044
180	05511-50320	PIN SPLIT	1				0.002	0.0044
190	66601-42150	SPRING RETURN	1				0.02	0.044
200	66071-61820	WIRE MOWER BRAKE	1				0.185	0.407
210	05122-50616	PIN JOINT	1				0.004	0.0088
220	04012-50060	WASHER PLAIN	2				0.001	0.0022
230	05511-51612	PIN SPLIT	2				0.001	0.0022
240	66071-61830	HOLDER WIRE	1	<=31229			0.076	0.1672
240	66071-61860	HOLDER WIRE	1	>=31230	←		0.075	0.165
250	05515-51000	PIN SNAP	1				0	0