

Instructions for Parts Books

The heading at the top of the page will be the same for the picture of the parts as it is for the page with the part numbers.

Definition of column headings on part number pages:

REF.No → The number referring to the part on the picture page of the parts book.

Part No. → The number assigned to this part at the time of printing the parts book.

Description → Description of part.

Q'ty → Quantity of part used on that page.

S.No. → Serial number range of the equipment that this part will fit.

>= Your serial number should be greater than or equal to the number shown.

<= Your serial number should be lesser than or equal to the serial number shown.

I/C → Interchangeability of part shown.

↔ The part shown will work for the older and later serial number.

The part shown is not interchangeable with the other serial number.

← new for old

→ old for new

Remarks → Notes about this particular part. Sometimes this may say except [FR] or [CA]

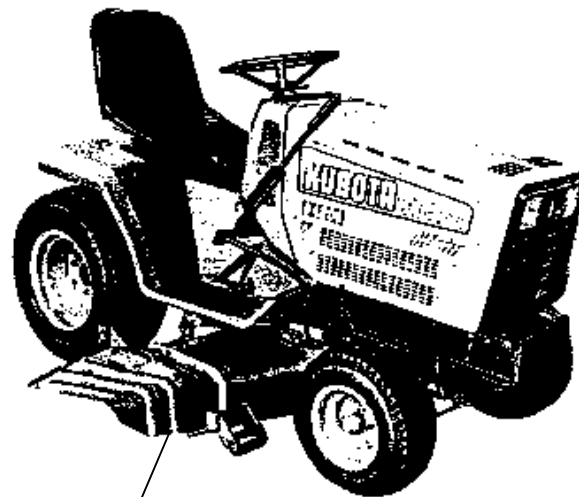
Note about Country Codes:

The parts books we use in the United States of America may also contain information about a part that would be different in another country. It is important that you are aware of the country codes in some instances.

Symbol	Country
A	United States of America
CA	Canada
FR	France
GR	Greece
PO	Portugal
AU	Australia

If the remarks column says for example EXCEPT [FR] this part works in all countries except France. That means it will work here in the USA.

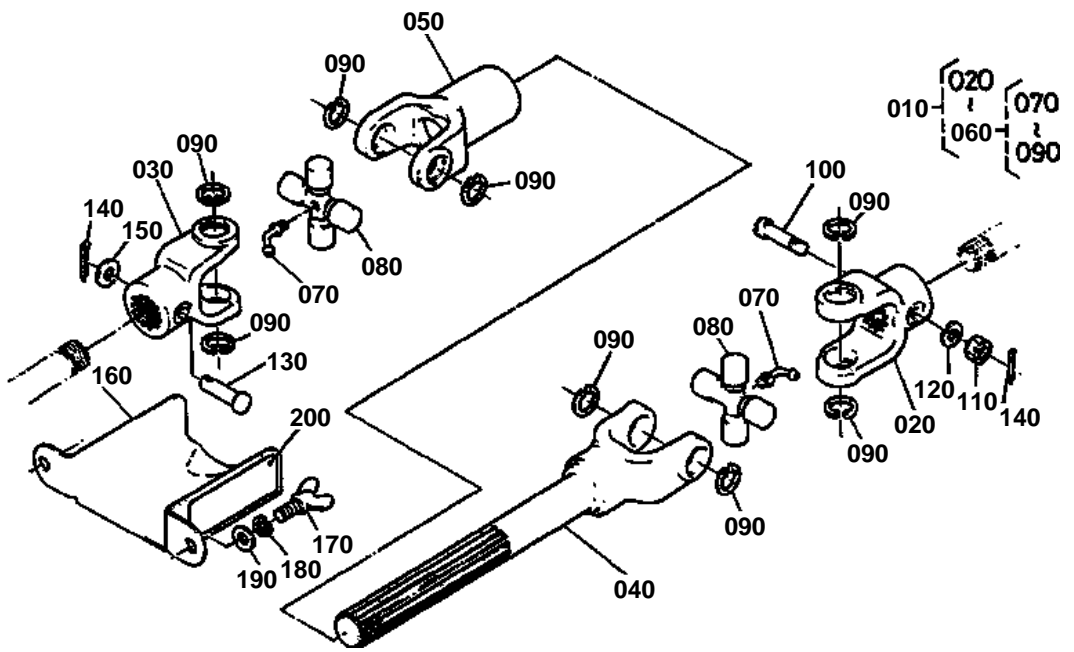
ALL PRODUCT INDEX
RC40-G(G3200)



MOWER

Item	Part No.	Description	Book
MOWER	01I01	JOINT	100K0116
	01I02	GEAR BOX	100K0116
	01I03	SPINDLE 1	100K0116
	01I04	SPINDLE 2	100K0116
	01I05	TENSION ARM	100K0116
	01I0601	DECK	100K0116
	01I07	REAR WHEEL	100K0116
	01I08	LINK	100K0116
	01I14	ACCESSORIES AND SERVICE PARTS	100K0116

JOINT



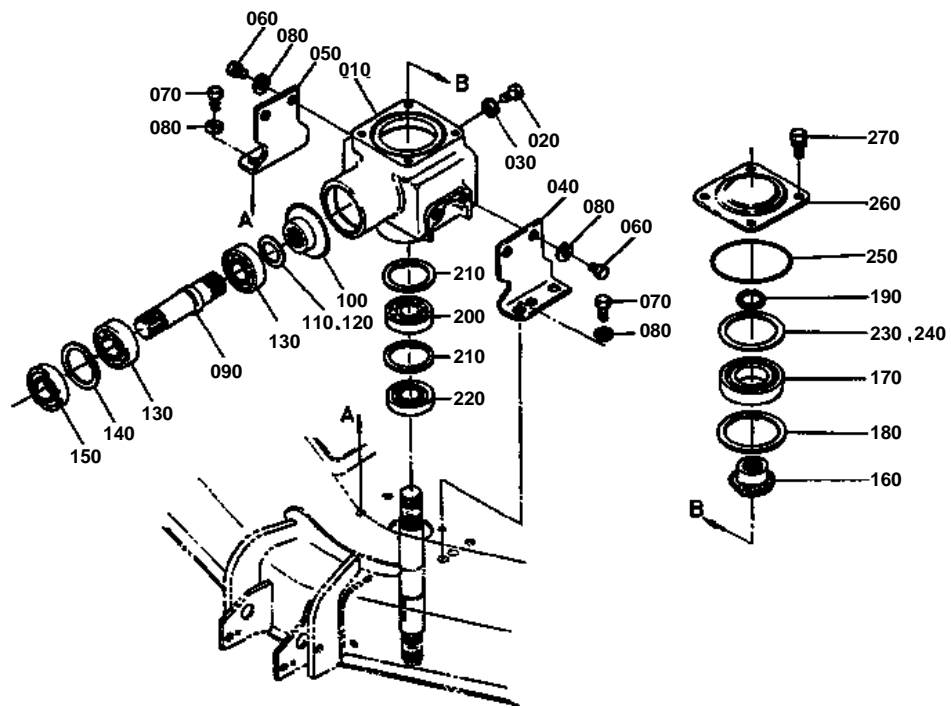


JOINT

↔ Interchangeable; ≠ not interchangeable; ← new for old; → old for new

REF.No	Part No.	Description	Q'ty	S.No.	I/C	REMARKS	Weight (kgf)	Weight (lb)
010	70712-32012	ASSY JOINT,UNIVERSAL	1				2.7	5.94
020	70720-31116	JOINT,PTO	1				0.34	0.748
030	70720-31122	JOINT,PTO	1				0.35	0.77
040	70712-31142	JOINT	1				0.93	2.046
050	70720-31175	JOINT	1				0.586	1.2892
060	70720-32110	ASSY JOINT,UNIVERSAL	2				0.2	0.44
070	70720-31212	NIPPLE,GREASE	2				0.006	0.0132
080	70720-31182	JOINT,CROSS	2				0.21	0.462
090	70720-32120	RING,SNAP	8				0.001	0.0022
100	70720-31202	BOLT	1				0.02	0.044
110	02356-50080	NUT	1				0.004	0.0088
120	04512-50080	WASHER,SPRING	1				0.001	0.0022
130	05122-50845	PIN,JOINT	1				0.018	0.0396
140	05511-50218	PIN,SPLIT	2				0.001	0.0022
150	04012-50080	WASHER,PLAIN	1				0.001	0.0022
160	70712-32350	COVER,JOINT	1				0.22	0.484
170	01811-50812	BOLT,WING	2				0.03	0.066
180	04512-50080	WASHER,SPRING	2				0.001	0.0022
190	04013-50080	WASHER,PLAIN	2				0	0
200	70713-32360	LABEL	1				0.001	0.0022
200	70713-11500	LABEL	1			[CA]	0.001	0.0022

GEAR BOX

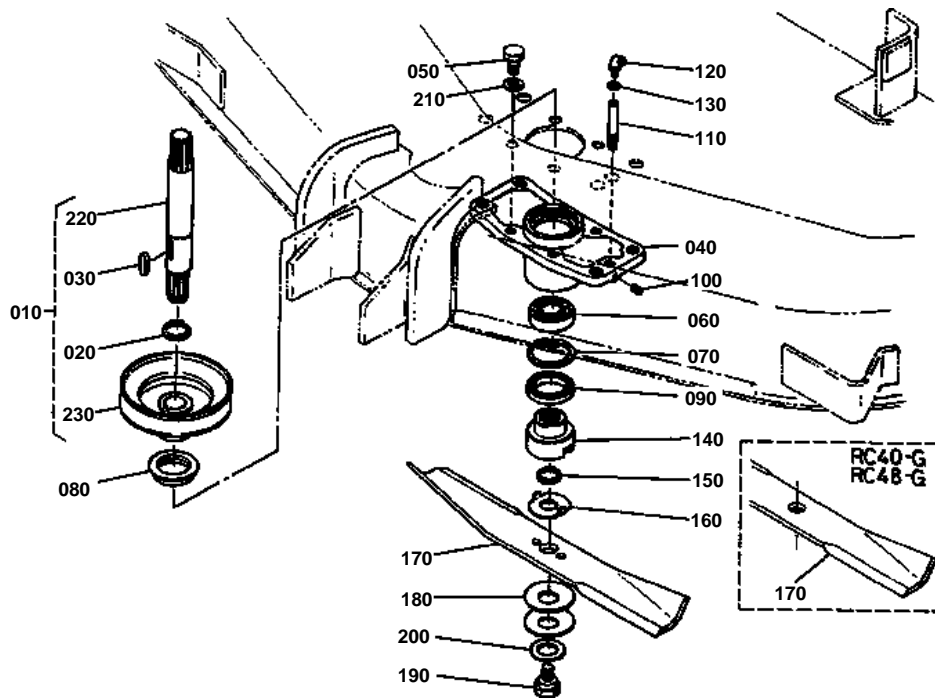


**GEAR BOX**

↔ Interchangeable; ≠ not interchangeable; ← new for old; → old for new

REF.No	Part No.	Description	Q'ty	S.No.	I/C	REMARKS	Weight (kgf)	Weight (lb)
010	70712-33110	CASE,BEVEL	1	<=32638			0	0
010	70712-33113	CASE,BEVEL	1	>=32639	←		3.16	6.952
020	01173-51014	BOLT	2				0.015	0.033
030	04717-01000	WASHER,WITH RUBBER	2				0.001	0.0022
040	70722-33130	STAY,BEVEL CASE LH	1				0	0
050	70722-33150	STAY,BEVEL CASE RH	1				0	0
060	01173-51222	BOLT	4				0.031	0.0682
070	01173-51228	BOLT	4				0.036	0.0792
080	04512-50120	WASHER,SPRING	8				0	0
090	70712-33310	SHAFT,PINION	1				0.4	0.88
100	70713-33330	GEAR,BEVEL	1			22T	0.24	0.528
110	70720-33350	SHIM	1				0.001	0.0022
120	70720-33360	SHIM	1				0.001	0.0022
130	08101-06205	BEARING,BALL	2				0.14	0.308
140	04611-00520	CIR-CLIP,INTERNAL	1				0.009	0.0198
150	09502-55210	SEAL,OIL	1	<=32045			0.025	0.055
150	76535-33440	SEAL,OIL	1	>=32046	←		0.02	0.044
160	70713-33530	GEAR,BEVEL	1			15T	0.125	0.275
170	70712-33550	BEARING,BALL	1				0.22	0.484
180	04611-00650	CIR-CLIP,INTERNAL	1				0.011	0.0242
190	04612-00220	CIR-CLIP,EXTERNAL	1				0.001	0.0022
200	08101-06205	BEARING,BALL	1				0.14	0.308
210	04611-00520	CIR-CLIP,INTERNAL	2				0.009	0.0198
220	09502-55210	SEAL,OIL	1	<=32045			0.025	0.055
220	76535-33440	SEAL,OIL	1	>=32046	←		0.02	0.044
230	70712-33570	SHIM	2			0.1MM	0.001	0.0022
240	70712-33590	SHIM	1			0.3MM	0.003	0.0066
250	04811-10800	O RING	1				0.001	0.0022
260	70712-33610	COVER,BEVEL CASE	1				0.2	0.44
270	01123-50814	BOLT	4				0	0

SPINDLE 1

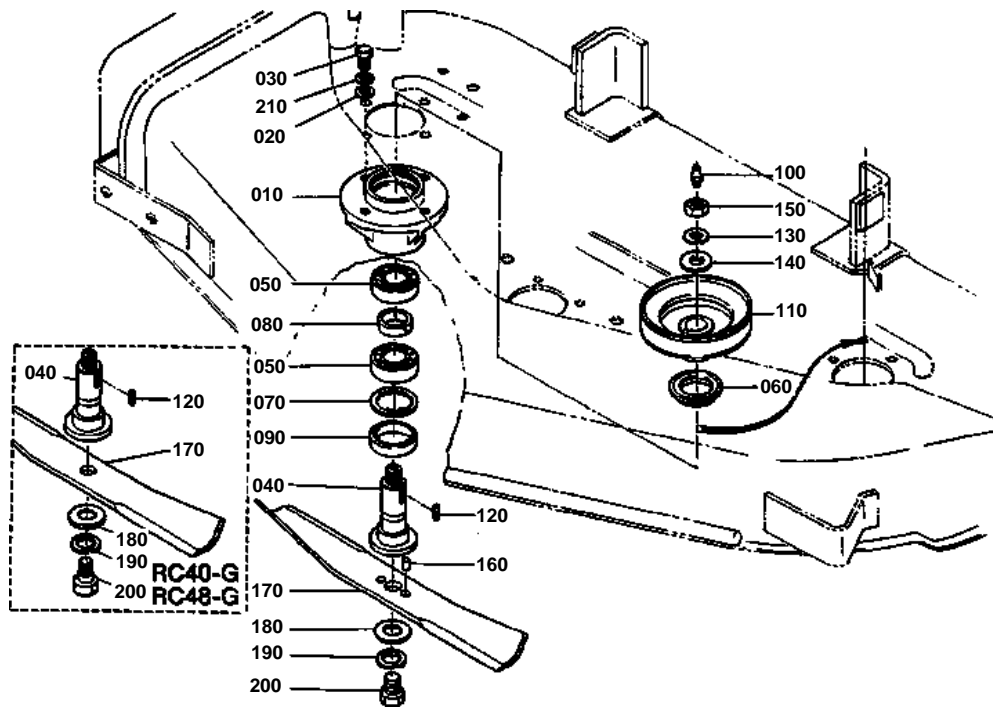


**SPINDLE 1**

↔ Interchangeable; ≠ not interchangeable; ← new for old; → old for new

REF.No	Part No.	Description	Q'ty	S.No.	I/C	REMARKS	Weight (kgf)	Weight (lb)
010	70712-99720	ASSY PULLEY,CENTER	1				0	0
020	04612-00250	CIR-CLIP,EXTERNAL	1				0.002	0.0044
030	05712-00728	KEY,FEATHER	1				0.01	0.022
040	70712-34110	HOLDER,PULLEY	1	<=10760			0	0
040	70712-34113	HOLDER,PULLEY	1	>=10761	←		2.1	4.62
050	01133-51020	BOLT	4				0.02	0.044
060	08101-06205	BEARING,BALL	1				0.14	0.308
070	04611-00520	CIR-CLIP,INTERNAL	1				0.009	0.0198
080	70722-34120	SEAL,OIL	1				0.025	0.055
090	09500-35528	SEAL,OIL	1				0.017	0.0374
100	03410-50606	SCREW	1				0.001	0.0022
110	70722-34130	PIPE,EXTENSION	1				0	0
120	66616-34360	NIPPLE,GREASE	1	<=32185			0	0
120	67111-44250	NIPPLE,GREASE	1	>=32186	≠		0.005	0.011
130	66616-34390	SHIM	1				0.001	0.0022
140	70712-34150	BOSS	1				0.37	0.814
150	04612-00220	CIR-CLIP,EXTERNAL	1				0.001	0.0022
160	70722-34320	PLATE,FRICTION	1				0.02	0.044
170	70713-34330	BLADE	1				0.7	1.54
180	70722-34350	RETAINER,BLADE	2				0.055	0.121
190	70722-34370	BOLT,LOCKING	1	<=32185			0	0
190	70722-34374	BOLT,LOCKING	1	>=32186	←		0.1	0.22
200	70722-34390	WASHER	1				0.009	0.0198
220	70712-33510	SHAFT,BEVEL GEAR	1				0	0
230	70712-99030	PULLEY,CENTER	1				0	0

SPINDLE 2

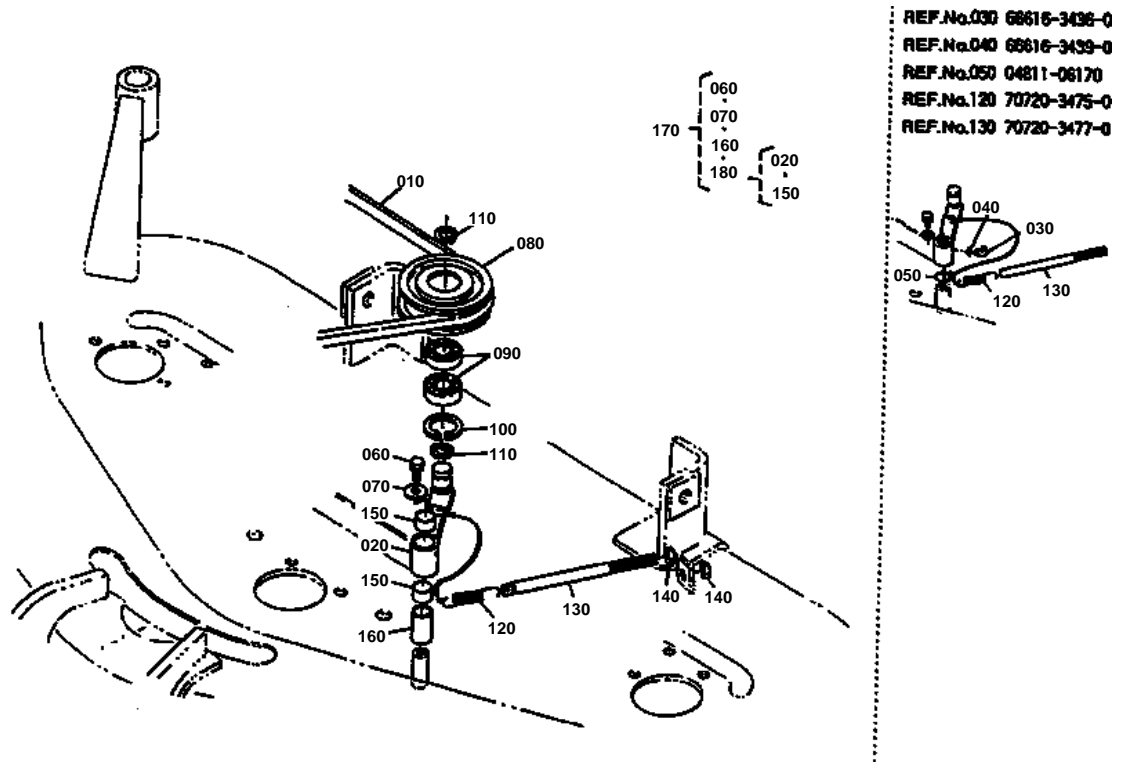


**SPINDLE 2**

↔ Interchangeable; ≠ not interchangeable; ← new for old; → old for new

REF.No	Part No.	Description	Q'ty	S.No.	I/C	REMARKS	Weight (kgf)	Weight (lb)
010	70712-34510	HOLDER,PULLEY	2				1.4	3.08
020	04013-50100	WASHER,PLAIN	8				0	0
030	01133-51022	BOLT	8				0.025	0.055
040	70713-34533	SHAFT	2				0.45	0.99
050	08101-06205	BEARING,BALL	4				0.14	0.308
060	70722-34120	SEAL,OIL	2				0.025	0.055
070	04611-00520	CIR-CLIP,INTERNAL	2				0.009	0.0198
080	70712-34550	PIECE,DISTANCE	2				0.12	0.264
090	09500-35528	SEAL,OIL	2				0.017	0.0374
100	06613-10675	NIPPLE,GREASE	2				0.003	0.0066
110	70725-33570	PULLEY	2	<=32638			0	0
110	70712-99780	PULLEY	2	>=32639	←		0.6	1.32
120	05712-00722	KEY,FEATHER	2				0.009	0.0198
130	04512-50160	WASHER,SPRING	2				0	0
140	70721-34560	WASHER,PLAIN	2				0.01	0.022
150	02172-50160	NUT	2				0.017	0.0374
170	70713-34330	BLADE	2				0.7	1.54
180	70713-34350	WASHER,PLAIN	2				0.088	0.1936
190	04512-50180	WASHER,SPRING	2				0	0
200	70713-34360	BOLT	2	<=32185			0	0
200	70713-34363	BOLT	2	>=32186	←		0	0

TENSION ARM

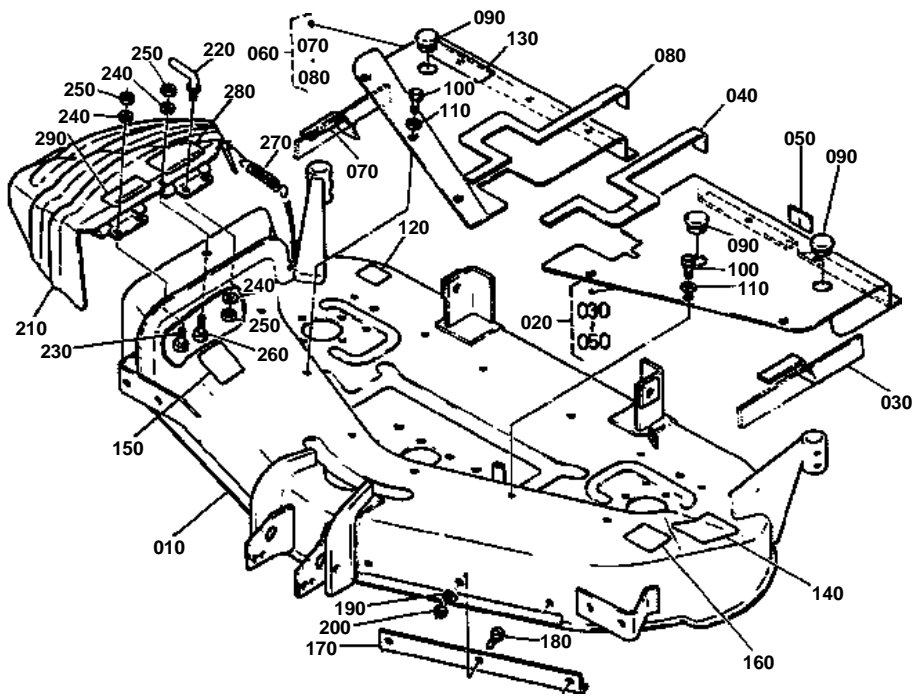


**TENSION ARM**

↔ Interchangeable; ≠ not interchangeable; ← new for old; → old for new

REF.No	Part No.	Description	Q'ty	S.No.	I/C	REMARKS	Weight (kgf)	Weight (lb)
010	70713-34770	BELT	1				0.324	0.7128
020	70713-34730	ARM,TENSION	1	≤11608			0.39	0.858
020	70712-34730	ARM,TENSION	1	≥11609	≠		0	0
020	70712-34733	ARM,TENSION	1	≥32273	←		0.2	0.44
060	01123-50814	BOLT	1				0	0
070	04015-50080	WASHER,PLAIN	1	≤11608			0	0
070	70712-34790	WASHER,PLAIN	1	≥11609	≠		0.01	0.022
080	70720-69212	PULLEY,TENSION	1				0.97	2.134
090	08141-06203	BEARING,BALL	2				0.064	0.1408
100	04611-00400	CIR-CLIP,INTERNAL	1				0.005	0.011
110	04612-00170	CIR-CLIP,EXTERNAL	2				0.001	0.0022
120	70722-34750	SPRING	1				0.15	0.33
130	70722-34770	BOLT,TENSION	1	≤32638			0	0
130	70722-34773	BOLT,TENSION	1	≥32639	←		0.075	0.165
140	02118-50100	NUT	2				0.005	0.011
150	41071-31120	BUSH	2	≤11608			0	0
150	08511-02812	BUSH,TENSION	2	≥11609	≠		0.02	0.044
160	70712-34780	COLLAR,TENSION	1	≥11609			0.11	0.242
170	70712-99300	KIT ARM,TENSION	1	≤11608			0	0
170	70712-99302	KIT ARM,TENSION	1	≥32639	←		0.77	1.694
180	70712-99400	ASSY ARM,TENSION	1	≤11608			0	0

DECK



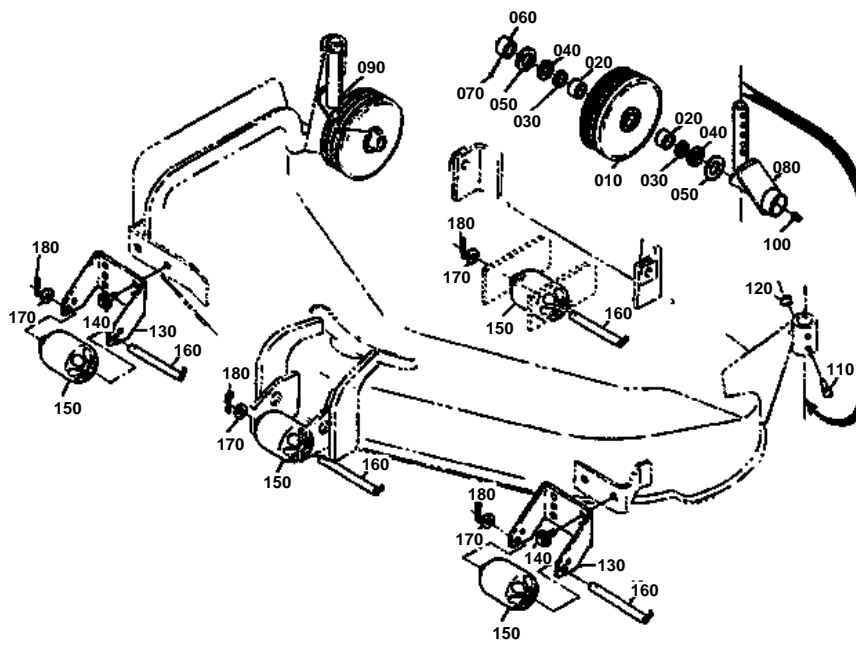


DECK

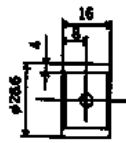
↔ Interchangeable; ≠ not interchangeable; ← new for old; → old for new

REF.No	Part No.	Description	Q'ty	S.No.	I/C	REMARKS	Weight (kgf)	Weight (lb)
010	70713-41160	DECK,MOWER	1	<=11354			0	0
010	70713-41162	DECK,MOWER	1	>=11355	←		32.5	71.5
010	70713-41100	DECK,MOWER	1			[CA]	0	0
020	70713-41130	ASSY COVER,LH	1				1.1	2.42
030	70722-41220	SEAL,DUST	1				0.001	0.0022
040	70713-41240	SEAL,DUST	1				0.002	0.0044
050	70722-41260	SEAL,DUST	1				0.02	0.044
060	70713-41150	ASSY COVER,RH	1				1.1	2.42
070	70722-41220	SEAL,DUST	1				0.001	0.0022
080	70713-41280	SEAL,DUST	1				0.001	0.0022
090	66204-51160	COVER	2				0.007	0.0154
100	01123-50818	BOLT	12				0.012	0.0264
110	04013-50080	WASHER,PLAIN	12				0	0
120	70713-41170	LABEL,MODEL	1				0.001	0.0022
130	36200-98160	MARK	1				0.002	0.0044
140	70720-47153	LABEL	1	<=11210			0	0
140	70712-47210	LABEL	1	>=11211	≠		0.002	0.0044
140	70712-11470	LABEL	1			[CA]	0.002	0.0044
150	70712-41140	LABEL	1	<=11210			0	0
150	70712-41142	LABEL	1	>=11211	≠		0.001	0.0022
150	70712-11420	LABEL	1			[CA]	0.001	0.0022
160	70712-47160	LABEL	1				0.002	0.0044
160	70712-11490	LABEL	1			[CA]	0.002	0.0044
170	70712-41190	PLATE,FRONT	1			EXCEPT [CA]	0.35	0.77
180	01173-51016	BOLT	3			EXCEPT [CA]	0.012	0.0264
190	04512-50100	WASHER,SPRING	3			EXCEPT [CA]	0	0
200	02118-50100	NUT	3			EXCEPT [CA]	0.005	0.011
210	70712-47110	COVER	1	<=11130			0	0
210	70712-47113	COVER	1	>=11131	←		3.8	8.36
220	70721-47130	STOPPER,CHUTE	1				0.05	0.11
230	01173-51020	BOLT	3				0.017	0.0374
240	04512-50100	WASHER,SPRING	5				0	0
250	02118-50100	NUT	5				0.005	0.011
260	01173-51028	BOLT	1				0.022	0.0484
270	70722-47120	SPRING	1				0.06	0.132
280	70712-47140	LABEL	1				0	0
280	70712-11480	LABEL	1			[CA]	0.002	0.0044
290	70713-34570	LABEL,BLADE	1				0.002	0.0044
290	70712-11340	NAME PLATE,BLADE	1			[CA]	0.001	0.0022

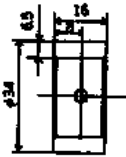
REAR WHEEL



REF.No.060 70722-4214-0



REF.No.060 70712-4214-0

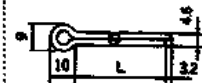


REF.No.070 05511-50540

L : 40

REF.No.070 05511-50545

L : 45

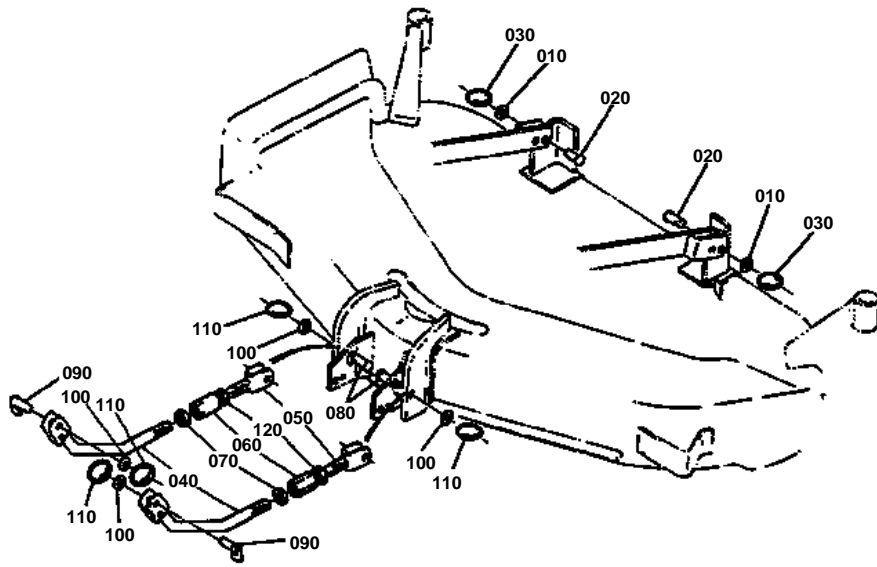




REAR WHEEL

↔ Interchangeable; ≠ not interchangeable; ← new for old; → old for new

REF.No	Part No.	Description	Q'ty	S.No.	I/C	REMARKS	Weight (kgf)	Weight (lb)
010	70712-42110	REAR WHEEL	2				1.2	2.64
020	70712-44190	BUSH	4				0.03	0.066
030	09220-20284	SEAL,OIL	4				0.004	0.0088
040	04611-00280	CIR-CLIP,INTERNAL	4				0.002	0.0044
050	04013-50200	WASHER,PLAIN	4				0.02	0.044
060	70712-42140	COLLAR	2				0.068	0.1496
070	05511-50545	PIN,SPLIT	2				0.01	0.022
080	70712-42150	SHAFT,LH	1				1.07	2.354
090	70712-42170	SHAFT,RH	1				1.07	2.354
100	06613-10010	NIPPLE,GREASE	2				0.006	0.0132
110	05122-50845	PIN,JOINT	2				0.018	0.0396
120	70712-42190	RING,SNAP	2				0.002	0.0044
130	70722-46110	STAY,ROLLER	2				0	0
140	01133-51022	BOLT	4				0.025	0.055
150	70713-46170	WHEEL,GAUGE	4				0	0
160	70720-46183	PIN,GAUGE WHEEL	4				0.125	0.275
170	04011-50120	WASHER,PLAIN	4				0.005	0.011
180	05511-50425	PIN,SPLIT	4				0.003	0.0066



REF.No.040 70712-5123-3
REF.No.040 70713-5123-4



APPLICABLE S.No.
RC40-G; 10833~11425
RC44-G; 16633~19335
RC48-G; 12527~14610



LINK

↔ Interchangeable; ≠ not interchangeable; ← new for old; → old for new

REF.No	Part No.	Description	Q'ty	S.No.	I/C	REMARKS	Weight (kgf)	Weight (lb)
010	04011-50120	WASHER,PLAIN	2				0.005	0.011
020	05122-51245	PIN,JOINT	2				0	0
030	70712-51140	RING,SNAP	2				0.009	0.0198
040	70713-51230	LINK	2	≤10832			0	0
040	70713-51234	LINK	2	≥10833	≠		0.9	1.98
040	70713-51235	LINK	2	≥11427	≠		0.58	1.276
050	70713-51240	LINK	2	≤10832			0.22	0.484
050	70713-51240	LINK	2	≥11427			0.22	0.484
060	70713-51250	TURNBUCKLE	2	≤10832			0	0
060	70713-51250	TURNBUCKLE	2	≥11427			0	0
060	70713-51253	TURNBUCKLE	2	≥11813	≠		0.15	0.33
070	02172-50180	NUT	2	≤10832			0.021	0.0462
070	02172-50180	NUT	2	≥11427			0.021	0.0462
080	05122-51245	PIN,JOINT	2				0	0
090	70712-51260	PIN,SET	2				0.045	0.099
100	04011-50120	WASHER,PLAIN	4				0.005	0.011
110	70712-51140	RING,SNAP	4				0.009	0.0198
120	70713-51270	NUT	2	≥11813			0.018	0.0396

IMAGE NOT AVAILABLE



ACCESSORIES AND SERVICE PARTS

↔ Interchangeable; ≠ not interchangeable; ← new for old; → old for new

REF.No	Part No.	Description	Q'ty	S.No.	I/C	REMARKS	Weight (kgf)	Weight (lb)
010	70712-71118	MANUAL,INSTRUCTION	1				0	0
020	70712-71153	MANUAL,INSTRUCTION	1			[CA] FRENCH	0	0
030	70713-33320	KIT GEAR,BEVEL	1			REF.NO.040,050	0.4	0.88
040	70713-33330	GEAR,BEVEL	1				0.24	0.528
050	70713-33530	GEAR,BEVEL	1				0.125	0.275
060	70713-99010	KIT BLADE	1			REF.NO.070	0	0
070	70713-34330	BLADE	3				0.7	1.54
080	70713-99020	KIT BLADE	1			REF.NO.090	2	4.4
090	70713-99030	BLADE,LOW SUCTION	3				0.7	1.54
100	70713-99040	KIT SEAL,DUST	1			REF.NO.110 TO 140	0.02	0.044
110	70722-41220	SEAL,DUST	2				0.001	0.0022
120	70713-41240	SEAL,DUST	1				0.002	0.0044
130	70722-41260	SEAL,DUST	1				0.02	0.044
140	70713-41280	SEAL,DUST	1				0.001	0.0022
150	70712-99100	ASSY REAR WHEEL,LH	1			REF.NO.160 TO 240	2.35	5.17
160	70712-99110	REAR WHEEL	1				1.11	2.442
170	70712-42150	SHAFT,LH	1				1.07	2.354
180	08101-06804	BEARING BALL	2				0.01	0.022
190	04611-00320	CIR-CLIP,INTERNAL	2				0.002	0.0044
200	09500-20328	SEAL,OIL	2				0.009	0.0198
210	06613-10010	NIPPLE,GREASE	1				0.006	0.0132
220	04013-50200	WASHER,PLAIN	2				0.02	0.044
230	70712-42140	COLLAR	1				0.068	0.1496
240	05511-50545	PIN,SPRIT	1				0.01	0.022
250	70712-99200	ASSY REAR WHEEL,RH	1			REF.NO.260 TO 340	2.4	5.28
260	70712-99110	REAR WHEEL	1				1.11	2.442
270	70712-42170	SHAFT,RH	1				1.07	2.354
280	08101-06804	BEARING,BALL	2				0.01	0.022
290	04611-00320	CIR-CLIP,INTERNAL	2				0.002	0.0044
300	09500-20328	SEAL,OIL	2				0.009	0.0198
310	06613-10010	NIPPLE,GREASE	2				0.006	0.0132
320	04013-50200	WASHER,PLAIN	2				0.02	0.044
330	70712-42140	COLLAR	1				0.068	0.1496
340	05511-50545	PIN,SPLIT	1				0.01	0.022
350	70713-11210	ASSY ROLLER,ANTI-SCA	2			REF.NO.360 TO 450	2	4.4
360	70713-11230	STAY,ROLLER	1				0.66	1.452
370	70713-11250	WHEEL,GAUGE	1				0.88	1.936
380	08101-06002	BEARING,BALL	2				0.057	0.1254
390	04611-00320	CIR-CRIP,INTERNAL	2				0.002	0.0044
400	09500-15329	SEAL,OIL	2				0.01	0.022
410	70713-11240	SHAFT,TRACK ROLLER	1				0.16	0.352
420	06613-10675	NIPPLE,GREASE	1				0.003	0.0066
430	01123-50812	BOLT	1				0	0
440	01133-51022	BOLT	2				0.025	0.055
450	04015-50100	WASHER,PLAIN	2				0.016	0.0352
520	70713-99140	KIT PLATE	1			REF.NO.530	2	4.4
530	76500-99170	MANUAL	1				0	0