

Instructions for Parts Books

The heading at the top of the page will be the same for the picture of the parts as it is for the page with the part numbers.

Definition of column headings on part number pages:

REF.No → The number referring to the part on the picture page of the parts book.

Part No. → The number assigned to this part at the time of printing the parts book.

Description → Description of part.

Q'ty → Quantity of part used on that page.

S.No. → Serial number range of the equipment that this part will fit.

>= Your serial number should be greater than or equal to the number shown.

<= Your serial number should be lesser than or equal to the serial number shown.

I/C → Interchangeability of part shown.

↔ The part shown will work for the older and later serial number.

The part shown is not interchangeable with the other serial number.

← new for old

→ old for new

Remarks → Notes about this particular part. Sometimes this may say except [FR] or [CA]

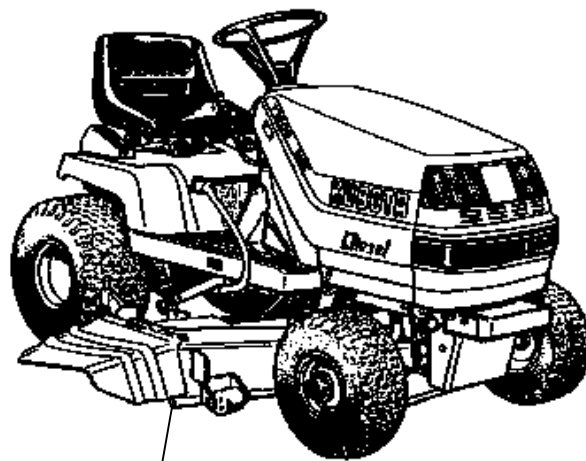
Note about Country Codes:

The parts books we use in the United States of America may also contain information about a part that would be different in another country. It is important that you are aware of the country codes in some instances.

Symbol	Country
A	United States of America
CA	Canada
FR	France
GR	Greece
PO	Portugal
AU	Australia

If the remarks column says for example EXCEPT [FR] this part works in all countries except France. That means it will work here in the USA.

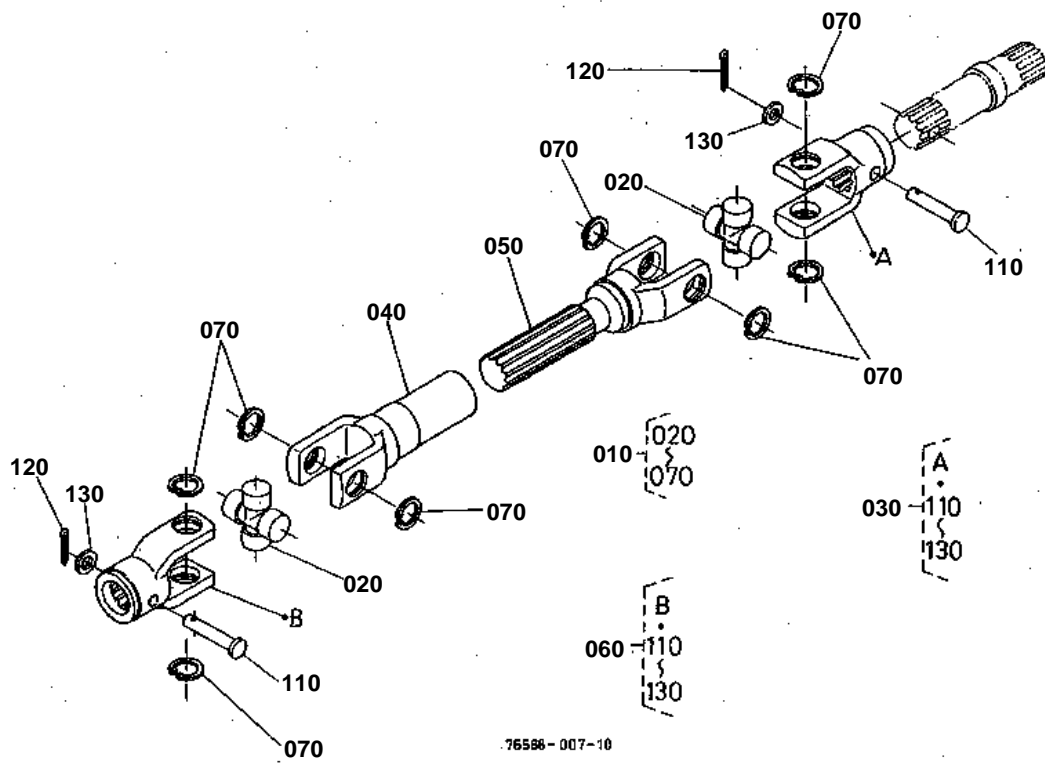
ALL PRODUCT INDEX
RC44LT(T1600H)



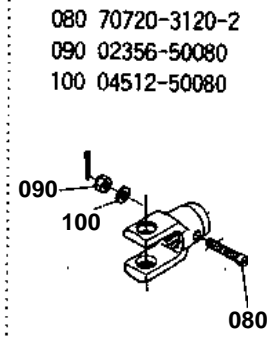
MOWER

Item	Part No.	Description	Book
MOWER	01T60	UNIVERSAL JOINT	100K0515
	01T61	BEVEL CASE	100K0515
	01T62	BLADE	100K0515
	01T63	TENSION PULLEY	100K0515
	01T64	MOWER DECK	100K0515
	01T65	REAR WHEEL	100K0515
	01T66	MOWER LINK	100K0515

UNIVERSAL JOINT



76586-007-10



080 70720-3120-2
 090 02356-50080
 100 04512-50080

76586-803-10

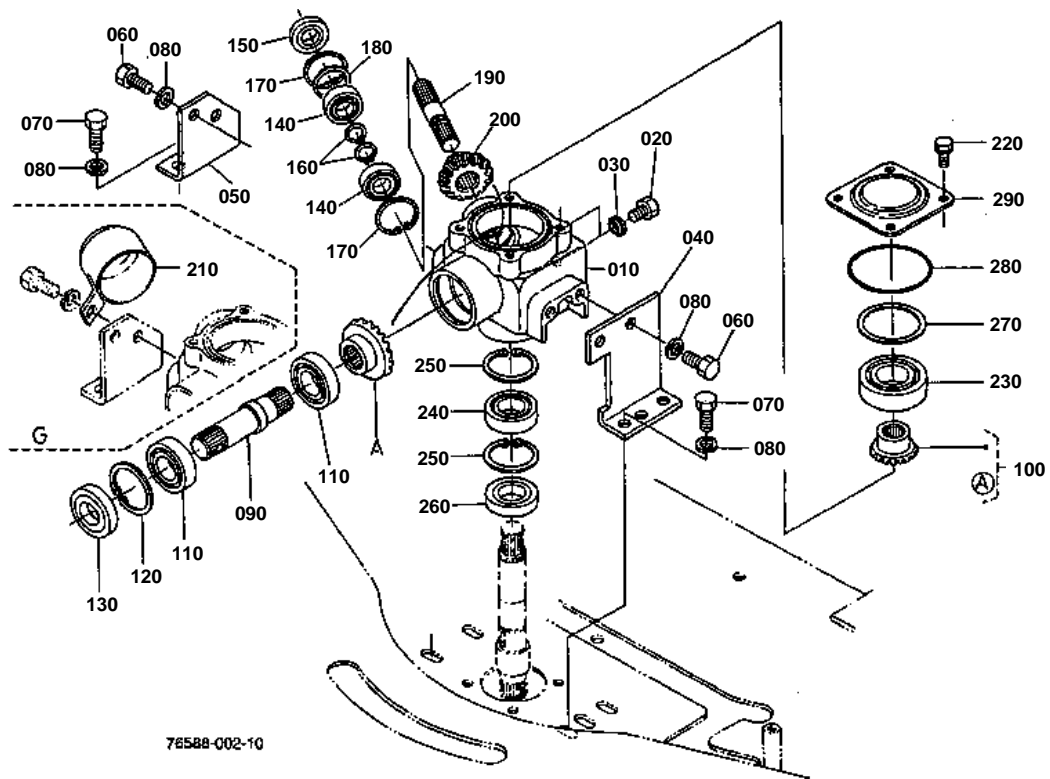


UNIVERSAL JOINT

↔ Interchangeable; ≠ not interchangeable; ← new for old; → old for new

REF.No	Part No.	Description	Q'ty	S.No.	I/C	REMARKS	Weight (kgf)	Weight (lb)
010	76588-81510	ASSY JOINT UNIVERSAL	1				2.3	5.06
020	66091-61830	KIT JOINT	2				0.05	0.11
030	76588-81910	KIT YOKE CLAMP	1				0.34	0.748
040	66091-61850	YOKE SLEEVE	1				0.4	0.88
050	66091-61860	SPLINED YOKE	1				0.69	1.518
060	76588-81910	YOKE CLAMP	1				0.34	0.748
070	66091-61920	RING SNAP	8				0.01	0.022
080	70720-31202	BOLT	1	≤14644			0.02	0.044
090	02356-50080	NUT	1	≤14644			0.004	0.0088
100	04512-50080	WASHER SPRING	1	≤14644			0	0
110	05122-50845	PIN JOINT	1	≤14644			0.018	0.0396
110	05122-50845	PIN JOINT	2	≥14645			0.018	0.0396
120	05511-50218	PIN SPLIT	2				0.001	0.0022
130	04012-50080	WASHER PLAIN	1	≤14644			0.001	0.0022
130	04012-50080	WASHER PLAIN	2	≥14645			0.001	0.0022

BEVEL CASE

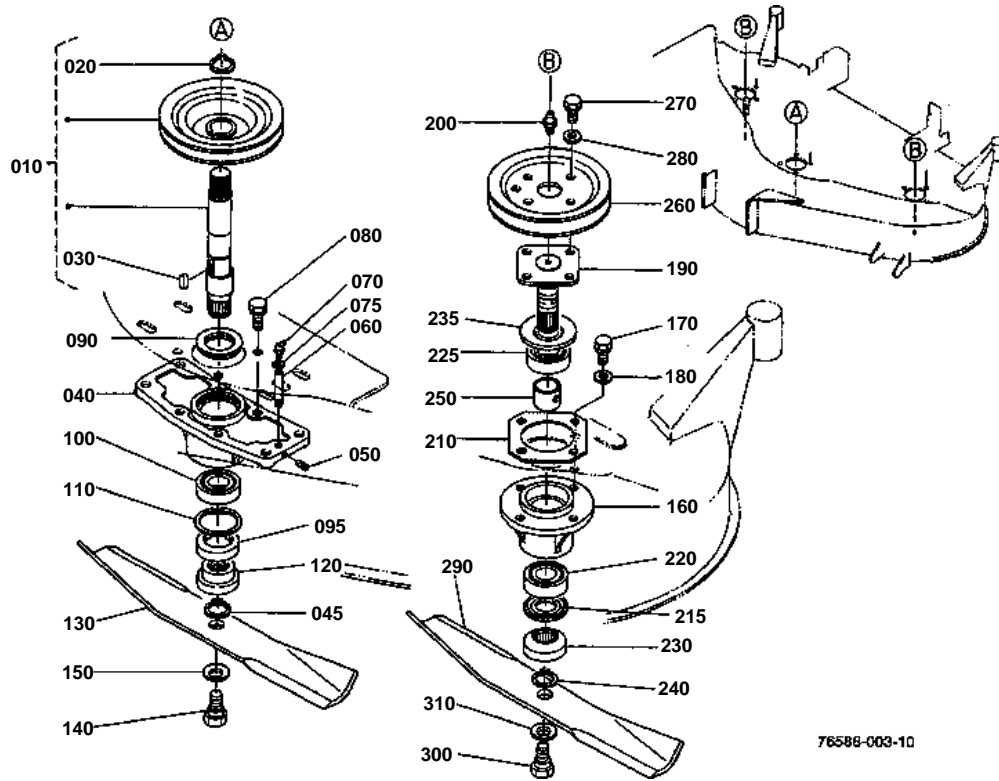


**BEVEL CASE**

↔ Interchangeable; ≠ not interchangeable; ← new for old; → old for new

REF.No	Part No.	Description	Q'ty	S.No.	I/C	REMARKS	Weight (kgf)	Weight (lb)
010	66091-61520	CASE BEVEL GEAR	1				3.54	7.788
020	01173-51220	BOLT	2				0.03	0.066
030	04717-01200	WASHER WITH RUBBER	2				0.002	0.0044
040	66091-61210	STAY BEVEL CASE LH	1				0.35	0.77
050	66091-61530	STAY BEVEL CASE RH	1				0.26	0.572
060	01173-51222	BOLT	4				0.031	0.0682
070	01173-51228	BOLT	4				0.036	0.0792
080	04512-50120	WASHER SPRING	8				0	0
090	70712-33310	SHAFT PINION	1				0.4	0.88
100	70712-33320	KIT GEAR BEVEL	1				0.37	0.814
110	08101-06205	BEARING BALL	2				0.14	0.308
120	04611-00520	CIR CLIP INTERNAL	1				0.009	0.0198
130	76535-33440	SEAL OIL	1				0.02	0.044
140	08101-06004	BEARING BALL	2				0.065	0.143
150	54711-14240	SEAL OIL	1				0.012	0.0264
160	04612-00200	CIRCLIP EXTERNAL	2				0.001	0.0022
170	04611-00420	CIR CLIP INTERNAL	2				0.006	0.0132
180	66091-61800	SHIM	1			0.1MM	0.01	0.022
180	66091-61900	SHIM	1			0.3MM	0.001	0.0022
180	76700-30060	SHIM	1			0.3MM	0.003	0.0066
180	76700-30050	SHIM	1			0.2MM	0.002	0.0044
190	66091-61540	SHAFT PINION	1				0.24	0.528
200	66091-61940	GEAR BEVEL	1			21T	0.27	0.594
220	01123-50814	BOLT	4				0	0
230	70712-33550	BEARING BALL	1				0.22	0.484
240	08101-06205	BEARING BALL	1				0.14	0.308
250	04611-00520	CIR CLIP INTERNAL	2				0.009	0.0198
260	76535-33440	SEAL OIL	1				0.02	0.044
270	70712-33570	SHIM	2			0.1MM	0.001	0.0022
270	70712-33590	SHIM	1			0.3MM	0.003	0.0066
280	04811-10800	RING	1				0.001	0.0022
290	70712-33610	COVER BEVEL CASE	1				0.2	0.44

BLADE



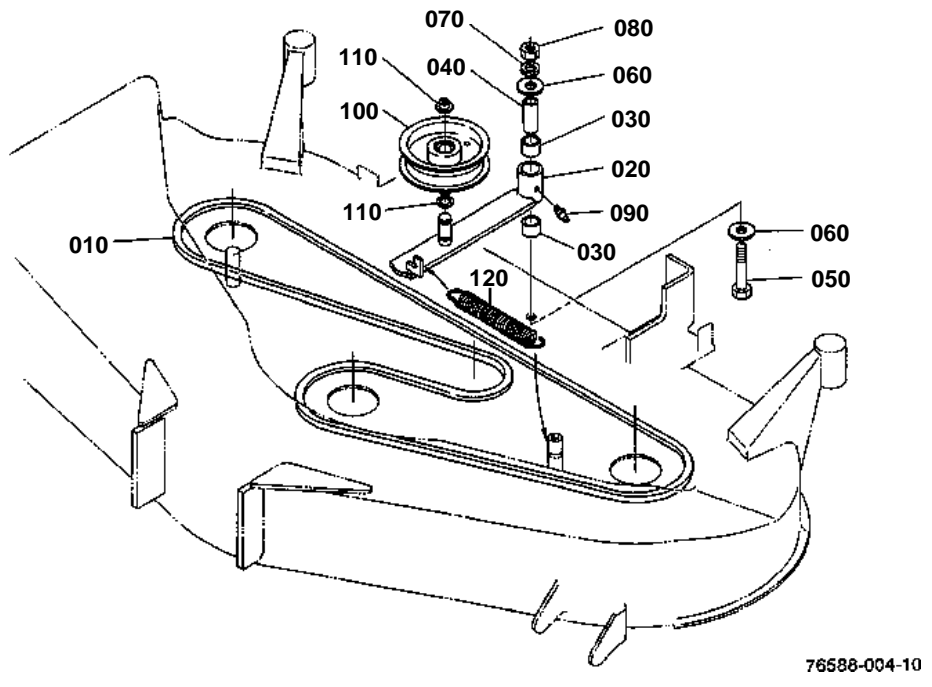
76588-003-10

**BLADE**

↔ Interchangeable; ≠ not interchangeable; ← new for old; → old for new

REF.No	Part No.	Description	Q'ty	S.No.	I/C	REMARKS	Weight (kgf)	Weight (lb)
010	66091-62100	ASSY SHAFT BEVEL GEA	1				1.39	3.058
020	04612-00250	CIRCLIP EXTERNAL	1				0.002	0.0044
030	05712-00728	KEY FEATHER	1				0.01	0.022
040	66091-61570	HOLDER PULLEY	1	<=14713			0	0
040	66091-61574	HOLDER PULLEY	1	>=14714	≠		2.4	5.28
045	04612-00250	CIRCLIP EXTERNAL	1				0.002	0.0044
050	03410-50606	SCREW SET	1				0.001	0.0022
060	76539-34132	PIPE EXTENSION	1				0.01	0.022
070	67111-44250	NIPPLE GREASE	1				0.005	0.011
075	66616-34390	SHIM ADJUSTING	1				0.001	0.0022
080	01133-51020	BOLT	4				0.02	0.044
090	70722-34120	SEAL OIL	1				0.025	0.055
095	09500-35528	SEAL OIL	1	>=14714			0.017	0.0374
100	08131-06205	BEARING BALL	1	<=14713			0.13	0.286
100	08101-06205	BEARING BALL	1	>=14714	≠		0.14	0.308
110	04611-00520	CIR CLIP INTERNAL	1				0.009	0.0198
120	66091-61580	BOSS BLADE	1	<=14713			0.3	0.66
120	66091-61583	BOSS BLADE	1	>=14714	≠		0.17	0.374
130	70712-34330	BLADE	1	<=17576			0.7	1.54
130	70712-34334	BLADE	1	>=17577	↔		0	0
140	66071-61850	BOLT	1	<=12361			0	0
140	66071-61852	BOLT	1	>=12362	←		0.08	0.176
150	36200-49130	SPRING PLATE	1				0.026	0.0572
160	66091-61590	HOLDER PULLEY	2				1.38	3.036
170	01133-51022	BOLT	8				0.025	0.055
180	04013-50100	WASHER PLAIN	8				0	0
190	66091-61600	SHAFT BLADE	2				0.56	1.232
200	06613-10675	NIPPLE GREASE	2				0.003	0.0066
210	66091-61980	PLATE REINFORCING	2				0.12	0.264
215	76516-61560	COVER LOWER	2	>=14714			0	0
220	08131-06205	BEARING BALL	4	<=14713			0.13	0.286
220	08111-06205	BEARING BALL	2	>=14714	≠		0.13	0.286
225	08141-06205	BEARING BALL	2	>=14714			0.118	0.2596
230	66091-61620	BOSS BLADE	2	<=14713			0.22	0.484
230	66091-61624	BOSS BLADE	2	>=14714	≠		0.19	0.418
235	76516-61640	COVER	2	>=14714			0.05	0.11
240	04612-00250	CIRCLIP EXTERNAL	2				0.002	0.0044
250	66091-61634	COLLAR	2				0.045	0.099
260	66091-61640	PULLEY	2				0.46	1.012
270	01123-60816	BOLT	8				0.01	0.022
280	04013-50080	WASHER PLAIN	8				0	0
290	70712-34330	BLADE	2	<=17576			0.7	1.54
290	70712-34334	BLADE	2	>=17577	↔		0	0
300	66071-61850	BOLT	2	<=12361			0	0
300	66071-61852	BOLT	2	>=12362	←		0.08	0.176
310	36200-49130	SPRING PLATE	2				0.026	0.0572

TENSION PULLEY

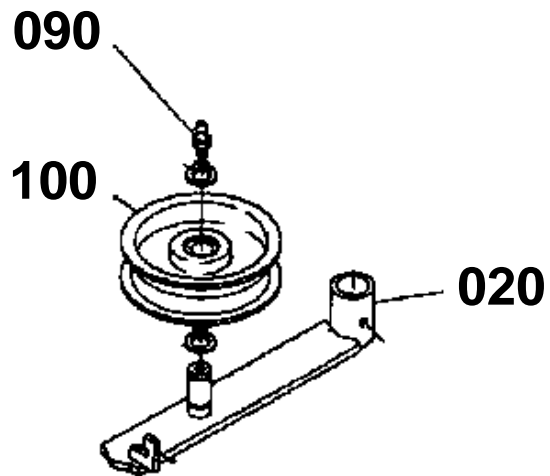


TENSION PULLEY

020 66091-6166-0

090 06613-10675

100 76539-3488-0



76588-801-10

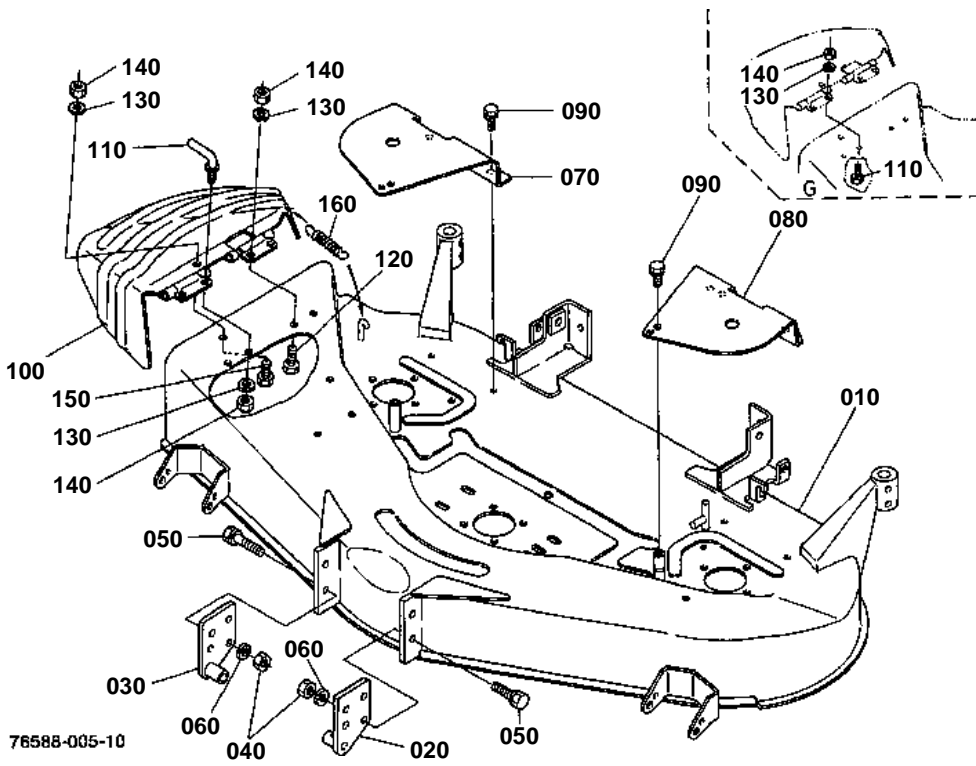


TENSION PULLEY

↔ Interchangeable; ≠ not interchangeable; ← new for old; → old for new

REF.No	Part No.	Description	Q'ty	S.No.	I/C	REMARKS	Weight (kgf)	Weight (lb)
010	66091-61650	BELT V	1				0.43	0.946
020	66091-61660	ARM TENSION	1	<=14713			0.58	1.276
020	66091-61663	ARM TENSION	1	>=14714	≠		0.61	1.342
030	08511-01915	BUSH	2				0.01	0.022
040	66091-61670	COLLAR TENSION	1				0.06	0.132
050	01173-51265	BOLT	1				0.063	0.1386
060	04015-60120	WASHER PLAIN	1				0.022	0.0484
070	04512-50120	WASHER SPRING	1				0	0
080	02172-50120	NUT	1				0.01	0.022
090	06613-10675	NIPPLE GREASE	2	<=14713			0.003	0.0066
090	06613-10675	NIPPLE GREASE	1	>=14714			0.003	0.0066
100	76539-34880	ASSY PULLEY TENSION	1	<=14713			0	0
100	76516-61600	ASSY PULLEY TENSION	1	>=14714	≠		0.46	1.012
110	04612-00170	CIRCLIP EXTERNAL	2				0.001	0.0022
120	66091-61690	SPRING TENSION	1				0.16	0.352

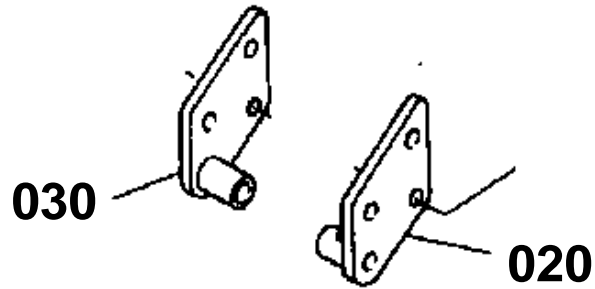
MOWER DECK



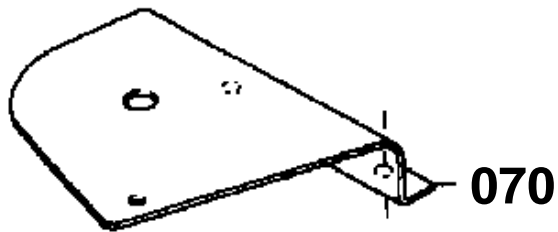
MOWER DECK

020 66091-6171-0

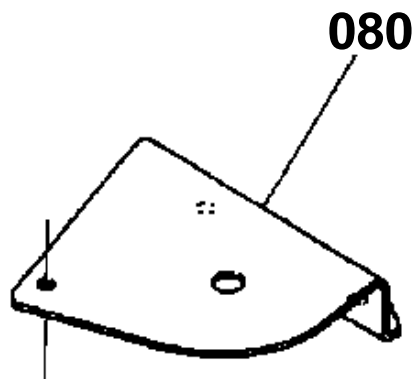
030 66091-6172-0



070 66091-6173-0



080 66091-6174-0



76588-802-10

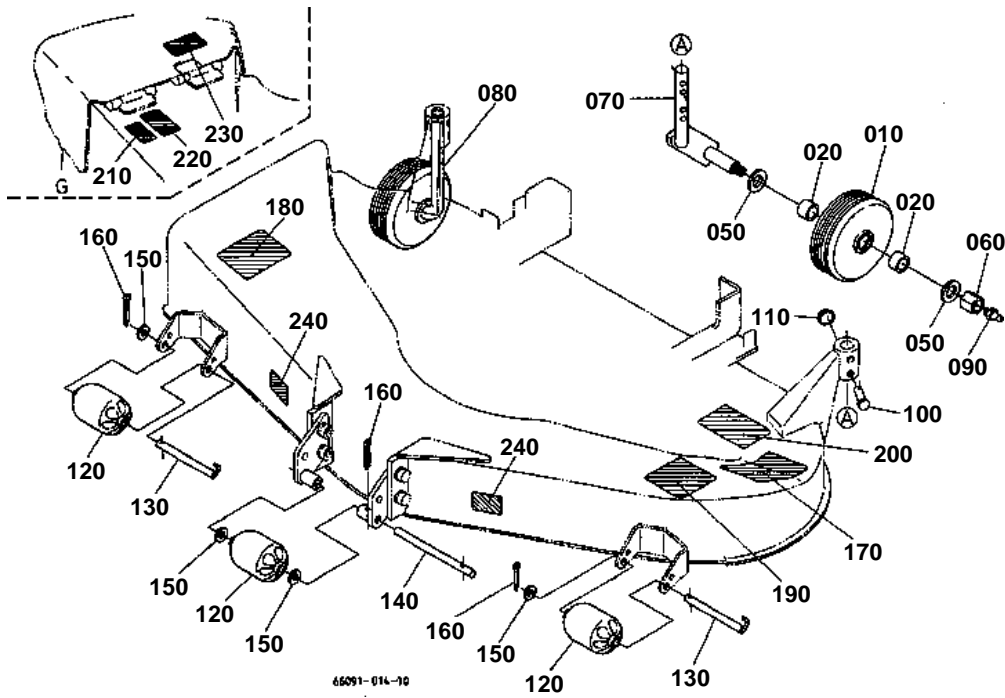


MOWER DECK

↔ Interchangeable; ≠ not interchangeable; ← new for old; → old for new

REF.No	Part No.	Description	Q'ty	S.No.	I/C	REMARKS	Weight (kgf)	Weight (lb)
010	66091-61700	DECK MOWER	1	≤14713			38	83.6
010	66091-61705	DECK MOWER	1	≥14714	≠		27	59.4
020	66091-61710	BRACKET LH	1	≤14713			0	0
020	66091-61712	BRACKET FRONT RH	1	≥14714	≠		0.4	0.88
030	66091-61720	BRACKET RH	1	≤14713			0	0
030	66091-61722	BRACKET FRONT LH	1	≥14714	≠		0.4	0.88
040	02118-50100	NUT	4				0.005	0.011
050	01133-51030	BOLT	4				0.025	0.055
060	04512-60100	WASHER SPRING	4				0.002	0.0044
070	66091-61730	COVER RH	1	≤14713			0	0
070	66091-61734	COVER RH	1	≥14714	≠		0.36	0.792
080	66091-61740	COVER LH	1	≤14713			0	0
080	66091-61745	COVER LH	1	≥14714	≠		0.4	0.88
090	01123-60816	BOLT	6				0.01	0.022
100	66091-61960	COVER CHUTE	1				3.28	7.216
110	70721-47130	STOPPER CHUTE	1				0.05	0.11
120	01173-51020	BOLT	3				0.017	0.0374
130	04512-60100	WASHER SPRING	5				0.002	0.0044
140	02118-50100	NUT	5				0.005	0.011
150	01173-51028	BOLT	1				0.022	0.0484
160	70722-47120	SPRING	1				0.06	0.132

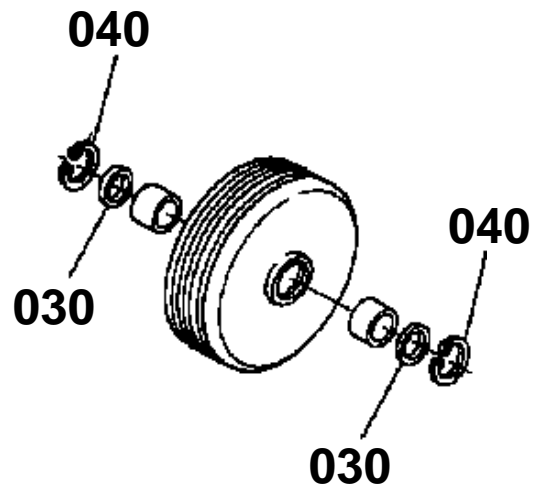
REAR WHEEL



REAR WHEEL

030 09220-20284

040 04611-00280



66091-814-10

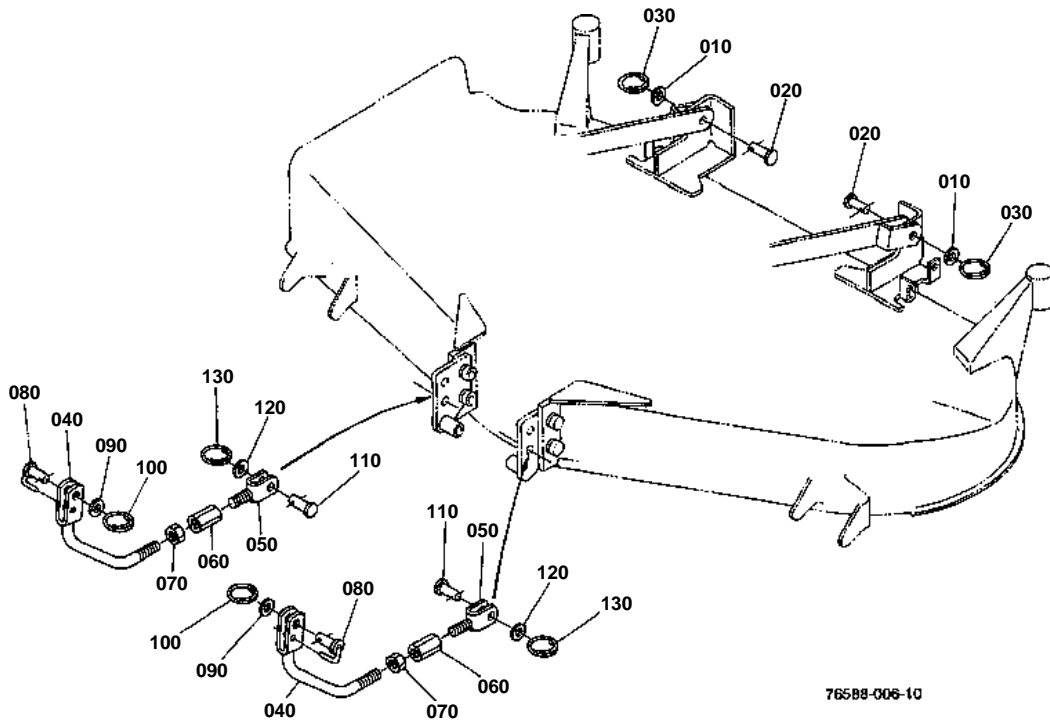


REAR WHEEL

↔ Interchangeable; ≠ not interchangeable; ← new for old; → old for new

REF.No	Part No.	Description	Q'ty	S.No.	I/C	REMARKS	Weight (kgf)	Weight (lb)
010	70712-42110	REAR WHEEL	2				1.2	2.64
020	70712-44190	BUSH	4				0.03	0.066
030	09220-20284	SEAL OIL	4	<=14713			0.004	0.0088
040	04611-00280	CIR CLIP INTERNAL	4	<=14713			0.002	0.0044
050	04013-50200	WASHER PLAIN	4				0.02	0.044
060	66091-61950	COLLAR	2				0.11	0.242
070	66091-61760	SHAFT LH	1				0.9	1.98
080	66091-61770	SHAFT RH	1				0.66	1.452
090	06613-10675	NIPPLE GREASE	2				0.003	0.0066
100	05122-50845	PIN JOINT	2				0.018	0.0396
110	70712-42190	RING SNAP	2				0.002	0.0044
120	76505-46250	ROLLER ANTI-SCALP	3				0.182	0.4004
130	66071-61680	PIN WHEEL	2				0.115	0.253
140	66091-61790	PIN GAUGE WHEEL	1				0.2	0.44
150	04011-50120	WASHER PLAIN	4				0.005	0.011
160	05511-50425	PIN SPLIT	3				0.003	0.0066
170	66091-61810	LABEL CUTTING HEIGHT	1			[A] [AU]	0.005	0.011
170	66092-61810	LABEL CUTTING HEIGHT	1			[CA]	0.005	0.011
180	66071-61780	LABEL CAUTION	1			[A] [AU]	0.005	0.011
180	66082-11420	LABEL CAUTION	1			[CA]	0.003	0.0066

MOWER LINK



**MOWER LINK**

↔ Interchangeable; ≠ not interchangeable; ← new for old; → old for new

REF.No	Part No.	Description	Q'ty	S.No.	I/C	REMARKS	Weight (kgf)	Weight (lb)
010	04011-50120	WASHER PLAIN	2				0.005	0.011
020	05122-61245	PIN JOINT	2				0.04	0.088
030	70712-51140	RING SNAP	2				0.009	0.0198
040	66091-61750	LINK	2				0.6	1.32
050	70713-51240	LINK	2				0.22	0.484
060	70713-51253	TURNBUCKLE	2				0.15	0.33
070	02172-50180	NUT	2				0.021	0.0462
080	70712-51260	PIN SET	2				0.045	0.099
090	04011-50120	WASHER PLAIN	2				0.005	0.011
100	70712-51140	RING SNAP	2				0.009	0.0198
110	05122-61245	PIN JOINT	2				0.04	0.088
120	04011-50120	WASHER PLAIN	2				0.005	0.011
130	70712-51140	RING SNAP	2				0.009	0.0198