

Instructions for Parts Books

The heading at the top of the page will be the same for the picture of the parts as it is for the page with the part numbers.

Definition of column headings on part number pages:

REF.No → The number referring to the part on the picture page of the parts book.

Part No. → The number assigned to this part at the time of printing the parts book.

Description → Description of part.

Q'ty → Quantity of part used on that page.

S.No. → Serial number range of the equipment that this part will fit.

>= Your serial number should be greater than or equal to the number shown.

<= Your serial number should be lesser than or equal to the serial number shown.

I/C → Interchangeability of part shown.

↔ The part shown will work for the older and later serial number.

The part shown is not interchangeable with the other serial number.

← new for old

→ old for new

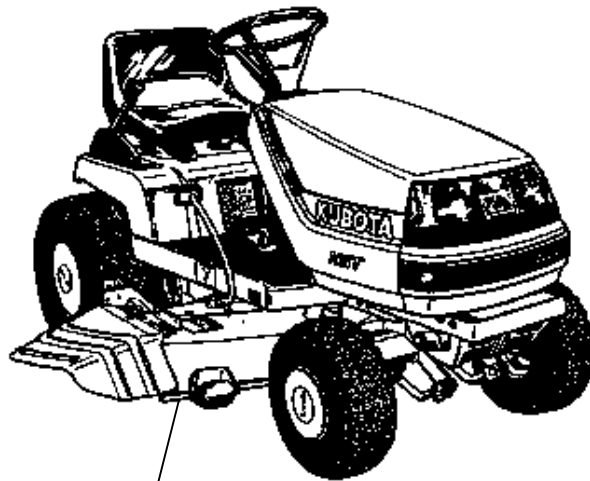
Remarks → Notes about this particular part. Sometimes this may say except [FR] or [CA]

Note about Country Codes:

The parts books we use in the United States of America may also contain information about a part that would be different in another country. It is important that you are aware of the country codes in some instances.

Symbol	Country
A	United States of America
CA	Canada
FR	France
GR	Greece
PO	Portugal
AU	Australia

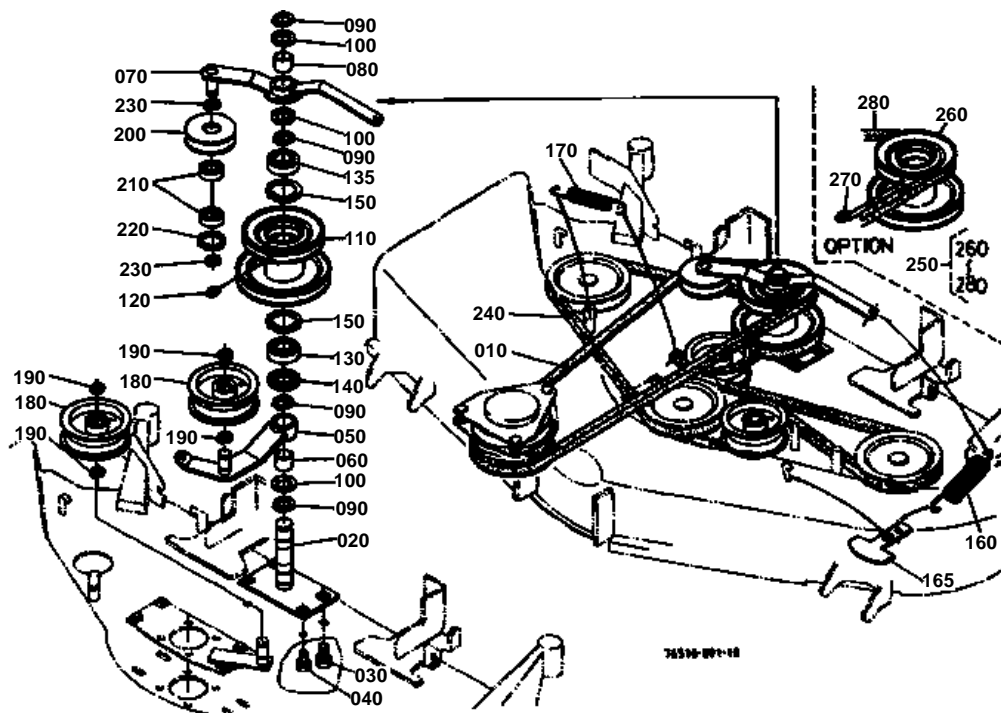
If the remarks column says for example EXCEPT [FR] this part works in all countries except France. That means it will work here in the USA.



MOWER

Item	Part No.	Description	Book
MOWER	01G52	TENSION PULLEY	100K0108
	01G53	BLADE	100K0108
	01G54	MOWER DECK	100K0108
	01G55	MOWER ROLLER/LABEL	100K0108
	01G56	LINKAGE	100K0108

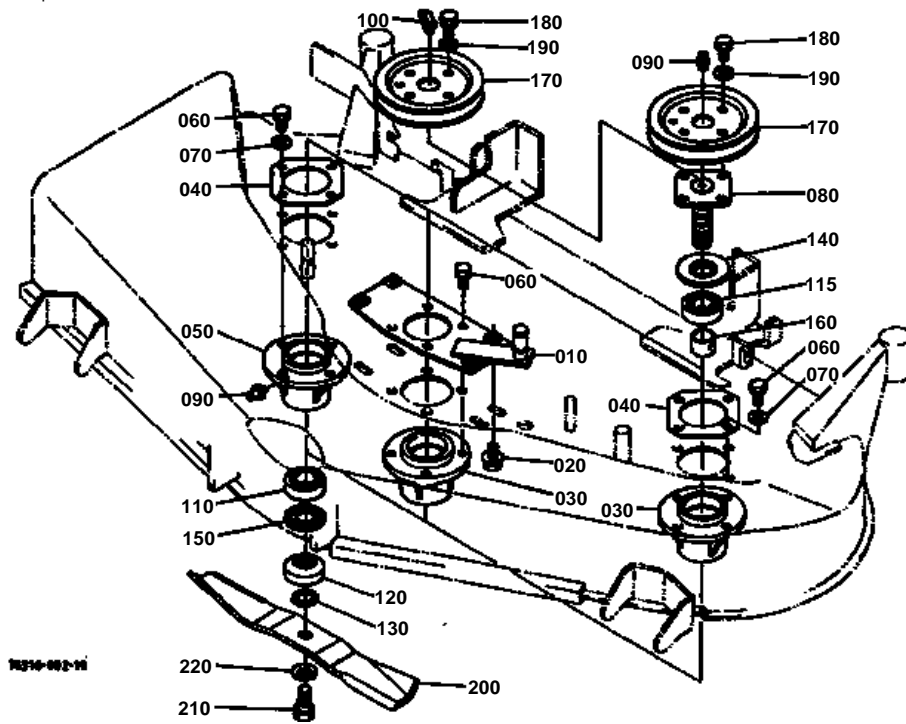
TENSION PULLEY



**TENSION PULLEY**

↔ Interchangeable; ≠ not interchangeable; ← new for old; → old for new

REF.No	Part No.	Description	Q'ty	S.No.	I/C	REMARKS	Weight (kgf)	Weight (lb)
010	76516-61510	V BELT	1				0.3	0.66
020	76516-61520	BRACKET	1	≤11113			0	0
020	76516-61523	BRACKET	1	≥11114	←		1.1	2.42
030	01133-51020	BOLT	1				0.02	0.044
040	01123-50818	BOLT	3				0.012	0.0264
050	76516-61530	ARM,TENSION	1				0.4	0.88
060	08511-02520	BUSH	1				0.02	0.044
070	76516-61543	ARM,TENSION	1				0.2	0.44
080	63399-32330	TABLE SET	1	≤11120			0.018	0.0396
080	76516-61680	BUSH	1	≥11121	←		0.02	0.044
090	04612-00250	CIR CLIP,EXTERNAL	4				0.002	0.0044
100	48000-55190	COLLAR	3				0.006	0.0132
110	76516-61550	V PULLEY	1	≤11120			1.4	3.08
110	76516-61552	V PULLEY	1	≥11121	←		0	0
120	06613-10675	NIPPLE,GREASE	1				0.003	0.0066
130	08111-06205	BEARING,BALL	1				0.13	0.286
135	08141-06205	BEARING,BALL	1				0.118	0.2596
140	76516-61563	COVER,LOWER	1	≤11113			0.02	0.044
140	76516-61590	COVER,LOWER	1	≥11114	←		0.02	0.044
150	04611-00520	CIR CLIP,INTERNAL	2				0.009	0.0198
160	76516-61570	SPRING	1				0.19	0.418
165	76516-61580	PLATE,SPRING	1				0.1	0.22
170	66071-61563	SPRING	1				0.09	0.198
180	76516-61600	ASSY PULLEY,TENSION	2				0.46	1.012
190	04612-00170	CIR CLIP,EXTERNAL	4				0.001	0.0022
200	76516-61612	PULLEY,TENSION	1				0.5	1.1
210	76516-61670	BEARING,BALL	2				0.005	0.011
220	04611-00400	CIR CLIP,INTERNAL	1				0.005	0.011
230	04612-00170	CIR CLIP,EXTERNAL	2				0.001	0.0022
240	76516-61660	V BELT	1				0.436	0.9592
250	76516-86100	ASSY V PULLEY	1			OPTION	2.1	4.62
260	76516-86150	V PULLEY	1	≤11120		OPTION	0	0
260	76516-86152	V PULLEY	1	≥11121	←	OPTION	0	0
270	06613-10675	NIPPLE,GREASE	1			OPTION	0.003	0.0066
280	76517-61670	V BELT	1			OPTION	0.28	0.616

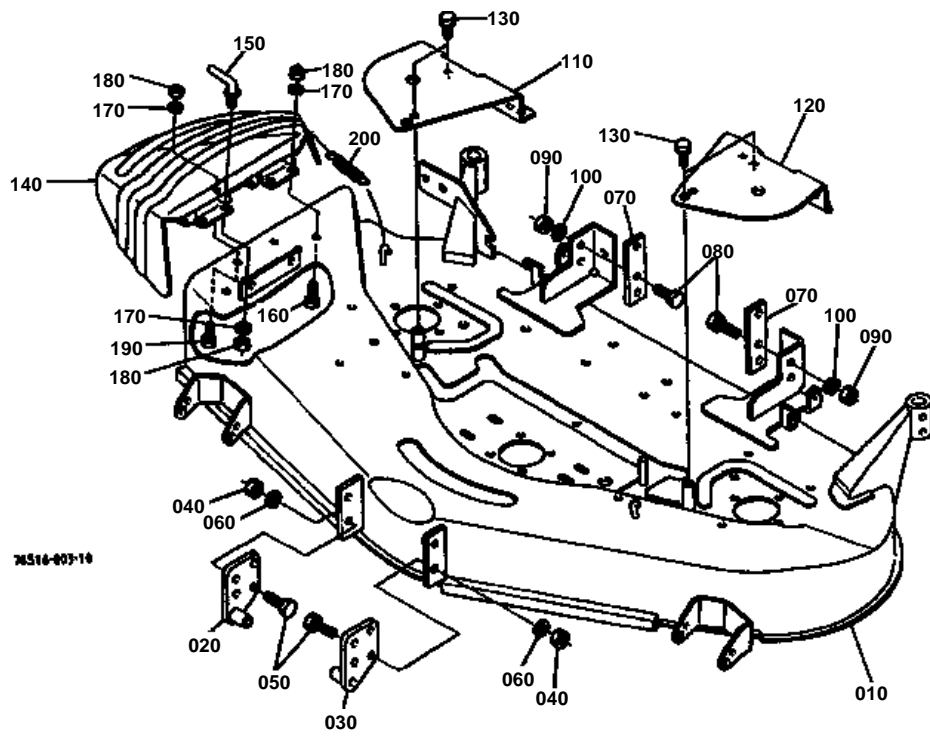


**BLADE**

↔ Interchangeable; ≠ not interchangeable; ← new for old; → old for new

REF.No	Part No.	Description	Q'ty	S.No.	I/C	REMARKS	Weight (kgf)	Weight (lb)
010	76516-61620	BRACKET	1				0	0
020	01135-51018	BOLT	4				0.03	0.066
030	66091-61590	HOLDER,PULLEY	2				1.38	3.036
040	66091-61980	PLATE,REINFORCING	2				0.12	0.264
050	76516-61630	HOLDER,PULLEY	1				1.42	3.124
060	01133-51022	BOLT	12				0.025	0.055
070	04013-50100	WASHER,PLAIN	12	≤11113			0	0
070	04013-50100	WASHER,PLAIN	8	≥11114			0	0
080	66091-61600	SHAFT,BLADE	3				0.56	1.232
090	06613-10675	NIPPLE,GREASE	3				0.003	0.0066
100	67111-44250	NIPPLE,GREASE	1				0.005	0.011
110	08111-06205	BEARING,BALL	3				0.13	0.286
115	08141-06205	BEARING,BALL	3				0.118	0.2596
120	66091-61624	BOSS,BLADE	3				0.19	0.418
130	04612-00250	CIR CLIP,EXTERNAL	3				0.002	0.0044
140	76516-61640	COVER	3				0.05	0.11
150	76516-61560	COVER,LOWER	3	≤11113			0	0
150	76516-61563	COVER,LOWER	3	≥11114	←		0.02	0.044
160	66091-61630	COLLAR	3	≤11113			0	0
160	66091-61634	COLLAR	3	≥11114	←		0.045	0.099
170	66091-61640	PULLEY	3				0.46	1.012
180	01123-60816	BOLT	12				0.01	0.022
190	04013-50080	WASHER,PLAIN	12				0	0
200	76516-61650	BLADE	3	≤11700			0.88	1.936
200	76516-61654	BLADE	3	≥11701	↔		0	0
210	66071-61852	BOLT	3				0.08	0.176
220	36200-49130	SPRING,PLATE	3				0.026	0.0572

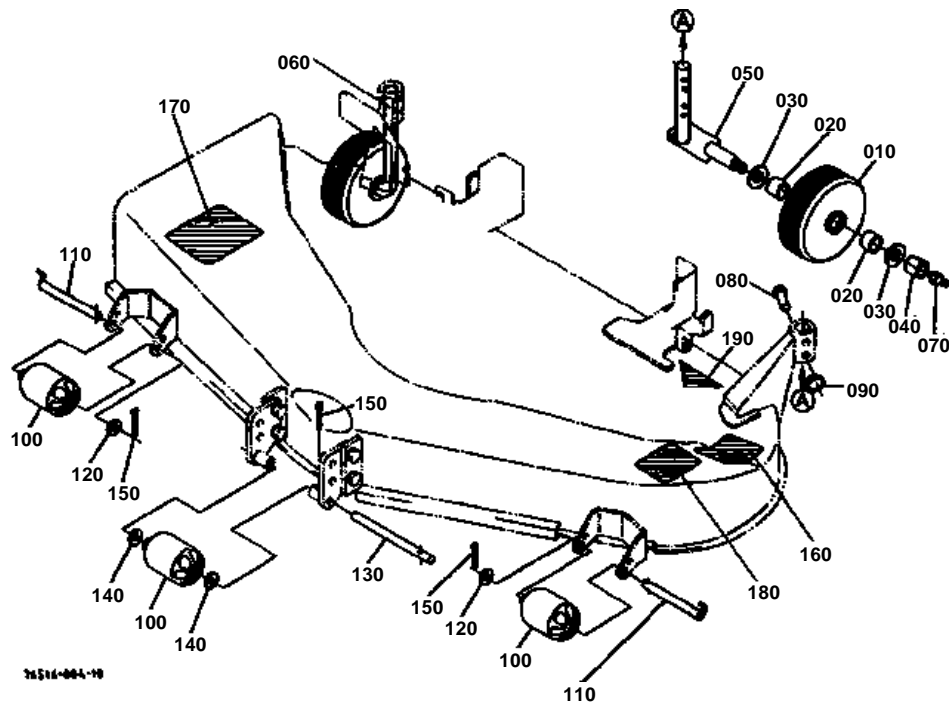
MOWER DECK



**MOWER DECK**

↔ Interchangeable; ≠ not interchangeable; ← new for old; → old for new

REF.No	Part No.	Description	Q'ty	S.No.	I/C	REMARKS	Weight (kgf)	Weight (lb)
010	76516-61700	DECK,MOWER	1				26.9	59.18
020	66091-61712	BRACKET,FRONT RH	1				0.4	0.88
030	66091-61722	BRACKET,FRONT LH	1				0.4	0.88
040	02118-50100	NUT	4				0.005	0.011
050	01173-51030	BOLT	4				0.023	0.0506
060	04512-50100	WASHER,SPRING	4				0	0
070	76516-61770	PLATE,LIFT LINK	2				0.25	0.55
080	01173-51230	BOLT	4				0.037	0.0814
090	02174-50120	NUT	4				0.01	0.022
100	04512-50120	WASHER,SPRING	4				0	0
110	66091-61734	COVER,RH	1	<=11127			0.36	0.792
110	66091-61735	COVER,RH	1	>=11128	←		0	0
120	66091-61744	COVER,LH	1	<=11127			0	0
120	66091-61745	COVER,LH	1	>=11128	←		0.4	0.88
130	01123-50816	BOLT	6				0.011	0.0242
140	70712-47113	COVER,CHUTE	1				3.8	8.36
150	70721-47130	STOPPER,CHUTE	1				0.05	0.11
160	01173-51020	BOLT	3				0.017	0.0374
170	04512-50100	WASHER,SPRING	5				0	0
180	02118-50100	NUT	5				0.005	0.011
190	01173-51028	BOLT	1				0.022	0.0484
200	70722-47120	SPRING	1				0.06	0.132



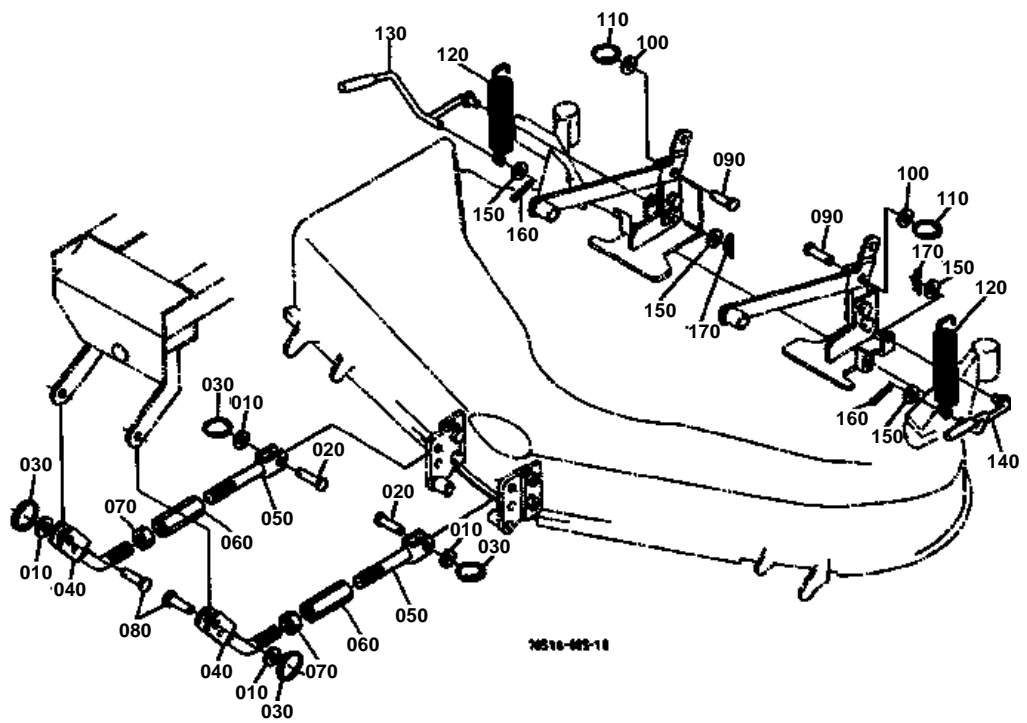


MOWER ROLLER/LABEL

↔ Interchangeable; ≠ not interchangeable; ← new for old; → old for new

REF.No	Part No.	Description	Q'ty	S.No.	I/C	REMARKS	Weight (kgf)	Weight (lb)
010	70712-42110	REAR WHEEL	2				1.2	2.64
020	70712-44190	BUSH	4				0.03	0.066
030	04013-50200	WASHER,PLAIN	4				0.02	0.044
040	66091-61950	COLLAR	2				0.11	0.242
050	66091-61760	SHAFT,LH	1				0.9	1.98
060	66091-61770	SHAFT,RH	1				0.66	1.452
070	06613-10675	NIPPLE,GREASE	2				0.003	0.0066
080	05122-50845	PIN,JOINT	2				0.018	0.0396
090	70712-42190	RING,SNAP	2				0.002	0.0044
100	76505-46250	ROLLER,ANTI-SCALP	3				0.182	0.4004
110	66071-61680	PIN,WHEEL	2				0.115	0.253
120	04011-50120	WASHER,PLAIN	2				0.005	0.011
130	66091-61790	PIN,GAUGE WHEEL	1				0.2	0.44
140	04011-50120	WASHER,PLAIN	2				0.005	0.011
150	05511-50425	PIN,SPLIT	3	<=11113			0.003	0.0066
150	05511-50430	PIN,SPLIT	3	>=11114	↔		0.004	0.0088
160	66091-61810	LABEL,CUTTING HEIGHT	1			[A],[AU],[NZ]	0.005	0.011
160	66092-61810	LABEL,CUTTING HEIGHT	1			[CA]	0.005	0.011
170	66071-61780	LABEL,CAUTION	1			[A],[AU],[NZ]	0.005	0.011
180	66071-61790	LABEL,CAUTION	1			[A],[AU],[NZ]	0.002	0.0044
180	66082-11420	LABEL,CAUTION	1			[CA]	0.003	0.0066
190	70712-71200	LABEL,OPEI	1	<=11120			0	0
190	76589-71200	LABEL	1	>=11121	←		0	0

LINKAGE





LINKAGE

↔ Interchangeable; ≠ not interchangeable; ← new for old; → old for new

REF.No	Part No.	Description	Q'ty	S.No.	I/C	REMARKS	Weight (kgf)	Weight (lb)
010	04011-50120	WASHER,PLAIN	4				0.005	0.011
020	05122-51235	PIN,JOINT	2				0.034	0.0748
030	70712-51140	RING,SNAP	4				0.009	0.0198
040	76516-61750	LINK	2				0.41	0.902
050	76516-61760	LINK	2				0.335	0.737
060	70713-51253	TURNBUCKLE	2				0.15	0.33
070	02172-50180	NUT	2				0.021	0.0462
080	05122-51235	PIN,JOINT	2				0.034	0.0748
090	05122-51235	PIN,JOINT	2				0.034	0.0748
100	04011-50120	WASHER,PLAIN	2				0.005	0.011
110	70712-51140	RING,SNAP	2				0.009	0.0198
120	66091-51910	SPRING,LIFT	2				0.32	0.704
130	66091-51944	HOOK,SPRING,RH	1				0.05	0.11
140	66091-51954	HOOK,SPRING LH	1				0.135	0.297
150	04013-50080	WASHER,PLAIN	4				0	0
160	05511-50318	PIN,SPLIT	2				0.001	0.0022
170	05516-51000	PIN,SNAP	2				0	0