

Instructions for Parts Books

The heading at the top of the page will be the same for the picture of the parts as it is for the page with the part numbers.

Definition of column headings on part number pages:

REF.No → The number referring to the part on the picture page of the parts book.

Part No. → The number assigned to this part at the time of printing the parts book.

Description → Description of part.

Q'ty → Quantity of part used on that page.

S.No. → Serial number range of the equipment that this part will fit.

>= Your serial number should be greater than or equal to the number shown.

<= Your serial number should be lesser than or equal to the serial number shown.

I/C → Interchangeability of part shown.

↔ The part shown will work for the older and later serial number.

The part shown is not interchangeable with the other serial number.

← new for old

→ old for new

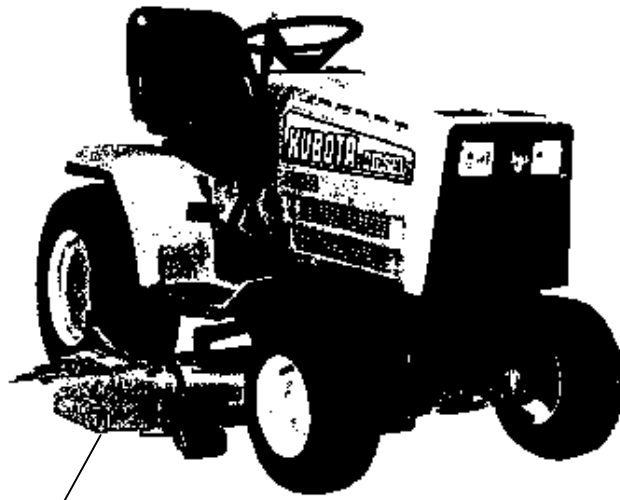
Remarks → Notes about this particular part. Sometimes this may say except [FR] or [CA]

Note about Country Codes:

The parts books we use in the United States of America may also contain information about a part that would be different in another country. It is important that you are aware of the country codes in some instances.

Symbol	Country
A	United States of America
CA	Canada
FR	France
GR	Greece
PO	Portugal
AU	Australia

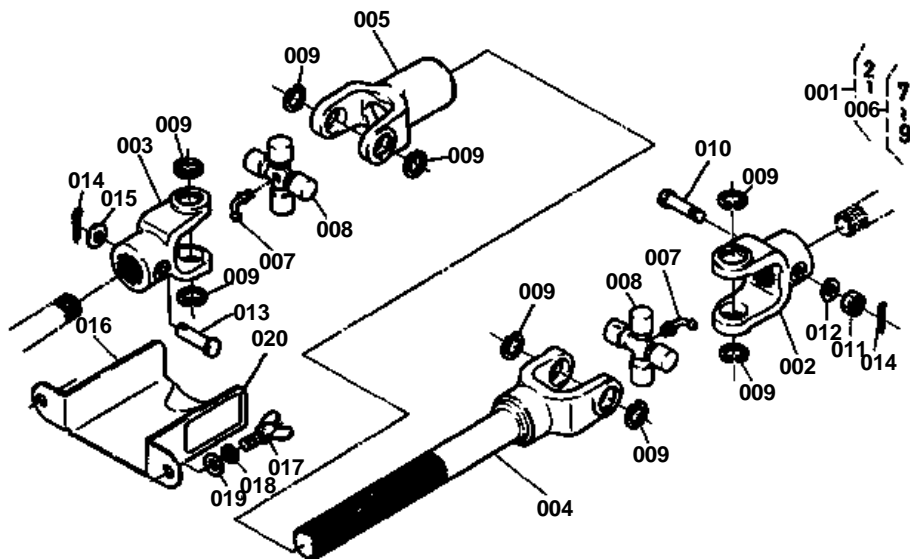
If the remarks column says for example EXCEPT [FR] this part works in all countries except France. That means it will work here in the USA.



MOWER

Item	Part No.	Description	Book
MOWER	01T068	JOINT	100K0115
	01T069	GEAR BOX	100K0115
	01T070	SPINDLE 1	100K0115
	01T071	SPINDLE 2	100K0115
	01T072	TENSION ARM	100K0115
	01T073	DECK	100K0115
	01T074	REAR WHEEL	100K0115
	01T075	LINK	100K0115

JOINT

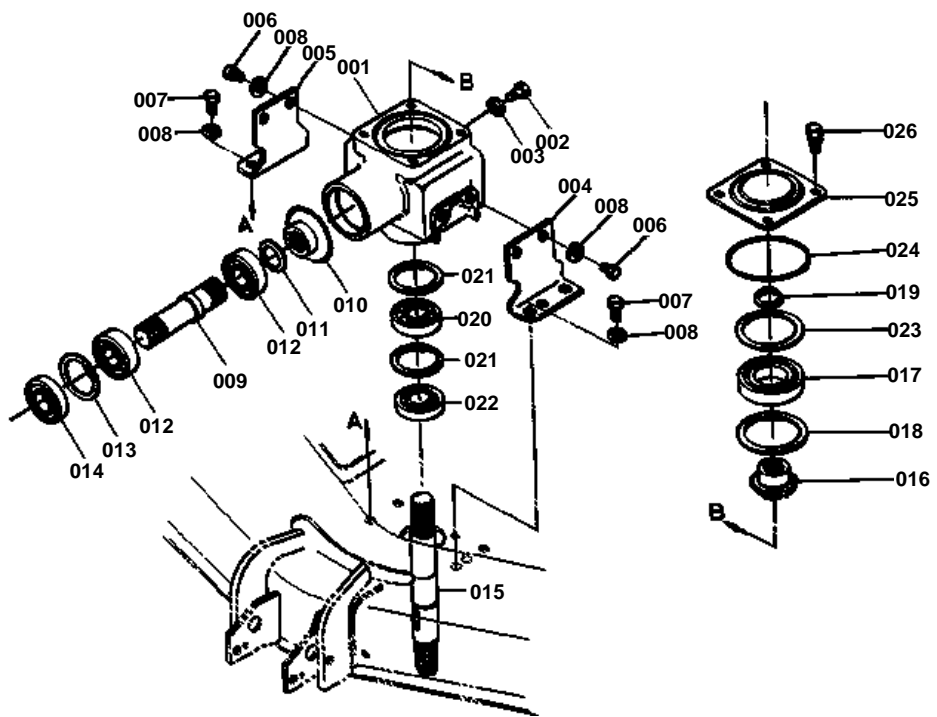


**JOINT**

↔ Interchangeable; ≠ not interchangeable; ← new for old; → old for new

REF.No	Part No.	Description	Q'ty	S.No.	I/C	REMARKS	Weight (kgf)	Weight (lb)
001	70712-32010	ASSY JOINT,UNIVERSAL	1	>=10001		REF.No.002 TO 006	0	0
001	70712-32012	ASSY JOINT,UNIVERSAL	1	>=10001		REF.No.002 TO 006	2.7	5.94
002	70720-31116	JOINT,PTO	1				0.34	0.748
003	70720-31122	JOINT,PTO 2	1				0.35	0.77
004	70712-31140	JOINT 4	1	>=10001			0	0
004	70712-31142	JOINT 4	1	>=10001			0.93	2.046
005	70720-31175	JOINT 2	1				0.586	1.2892
006	70720-32110	ASSY JOINT	2			REF.No.007 TO 009	0.2	0.44
007	70720-31212	NIPPLE,GREASE	2				0.006	0.0132
008	70720-31182	JOINT	2				0.21	0.462
009	70720-32120	RING,SNAP	8				0.001	0.0022
010	70720-31202	BOLT	1				0.02	0.044
011	02356-50080	NUT	1				0.004	0.0088
012	04512-50080	WASHER,SPRING	1				0	0
013	05122-50845	PIN	1				0.018	0.0396
014	05511-50218	PIN,SPLIT	2				0.001	0.0022
015	04012-50080	WASHER,PLAIN	1				0.001	0.0022
016	70712-32350	COVER,JOINT	1				0.22	0.484
017	01811-50812	BOLT	2				0.03	0.066
018	04512-50080	WASHER,SPRING	2				0	0
019	04013-50080	WASHER,PLAIN	2				0	0
020	70713-32360	LABEL 4	1	>=10001			0.001	0.0022

GEAR BOX



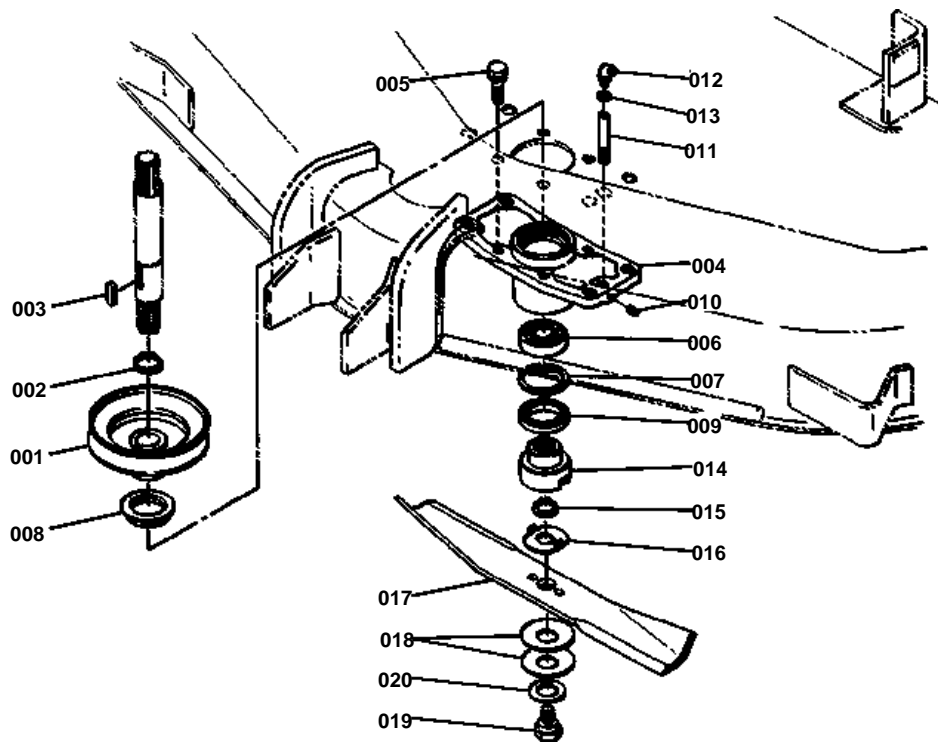


GEAR BOX

↔ Interchangeable; ≠ not interchangeable; ← new for old; → old for new

REF.No	Part No.	Description	Q'ty	S.No.	I/C	REMARKS	Weight (kgf)	Weight (lb)
001	70712-33110	CASE,BEVEL	1				0	0
002	01173-51014	BOLT	2				0.015	0.033
003	04717-01000	WASHER	2				0.001	0.0022
004	70722-33130	STAY	1				0	0
005	70722-33150	STAY	1				0	0
006	01173-51222	BOLT	4				0.031	0.0682
007	01173-51228	BOLT	4				0.036	0.0792
008	04512-50120	WASHER,SPRING	8				0	0
009	70712-33310	SHAFT,PINION	1				0.4	0.88
010	70712-33330	GEAR,BEVEL 21	1				0.24	0.528
011	70720-33350	SHIM 1	1				0.001	0.0022
011	70720-33360	SHIM 2	1				0.001	0.0022
012	08101-06205	BEARING,BALL	2				0.14	0.308
013	04611-00520	CIR-CLIP,INTERNAL	1				0.009	0.0198
014	09502-55210	SEAL,OIL	1				0.025	0.055
015	70712-33510	SHAFT	1				0	0
016	70712-33530	GEAR,BEVEL 15	1				0.135	0.297
017	70712-33550	BEARING,BALL	1				0.22	0.484
018	04611-00650	CIR-CLIP,INTERNAL	1				0.011	0.0242
019	04612-00220	CIR-CLIP,EXTERNAL	1				0.001	0.0022
020	08101-06205	BEARING,BALL	1				0.14	0.308
021	04611-00520	CIR-CLIP,INTERNAL	2				0.009	0.0198
022	09502-55210	SEAL,OIL	1				0.025	0.055
023	70712-33570	SHIM	2			0.1MM	0.001	0.0022
023	70712-33590	SHIM	1			0.3MM	0.003	0.0066
024	04811-10800	O RING	1				0.001	0.0022
025	70712-33610	COVER	1				0.2	0.44
026	01123-50814	BOLT	4				0	0

SPINDLE 1

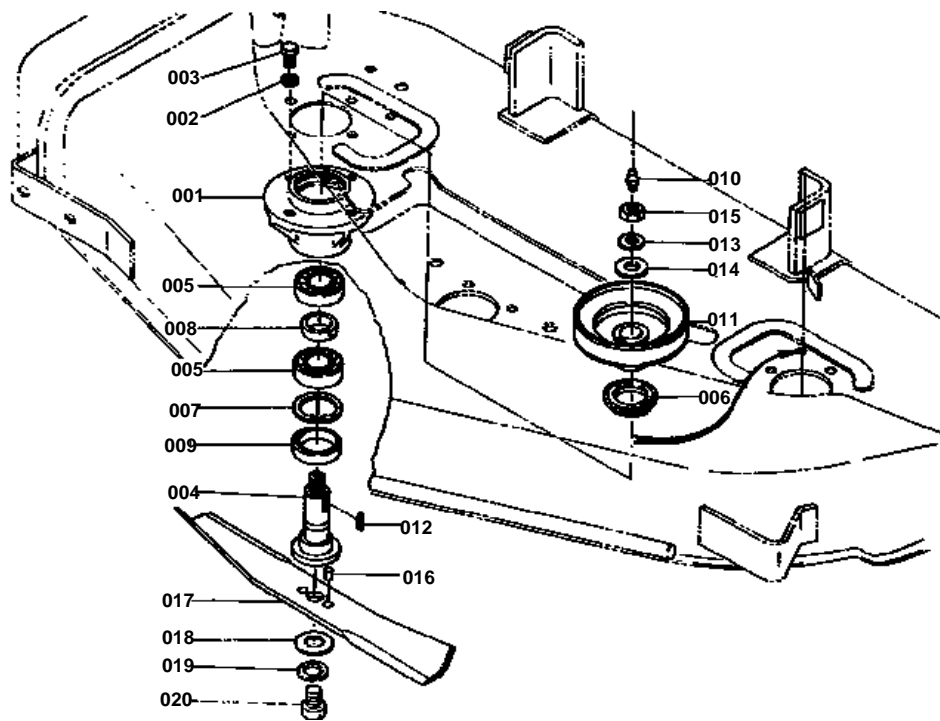


**SPINDLE 1**

↔ Interchangeable; ≠ not interchangeable; ← new for old; → old for new

REF.No	Part No.	Description	Q'ty	S.No.	I/C	REMARKS	Weight (kgf)	Weight (lb)
001	70712-99030	PULLEY 1	1	≥10001			0	0
001	70712-99030	PULLEY 1	1	≤11001			0	0
001	70732-33550	PULLEY 1	1	≥10001			0	0
002	04612-00250	CIR-CLIP,EXTERNAL	1				0.002	0.0044
003	05712-00728	KEY,FEATHER	1				0.01	0.022
004	70712-34110	HOLDER,PULLEY 1	1				0	0
005	01133-51020	BOLT	4				0.02	0.044
006	08101-06205	BEARING,BALL	1				0.14	0.308
007	04611-00520	CIR-CLIP,INTERNAL	1				0.009	0.0198
008	70722-34120	SEAL,OIL	1				0.025	0.055
009	09500-35528	SEAL,OIL	1				0.017	0.0374
010	03410-50606	SCREW	1				0.001	0.0022
011	70722-34130	PIPE	1				0	0
012	66616-34360	NIPPLE,GREASE	1				0	0
013	66616-34390	SHIM,ADJUSTING	1				0.001	0.0022
014	70712-34150	BOSS	1				0.37	0.814
015	04612-00220	CIR-CLIP,EXTERNAL	1				0.001	0.0022
016	70722-34320	PLATE	1				0.02	0.044
017	70712-34330	BLADE	1				0.7	1.54
018	70722-34350	RETAINER	2				0.055	0.121
019	70722-34370	BOLT	1				0	0
020	70722-34390	WASHER	1				0.009	0.0198

SPINDLE 2

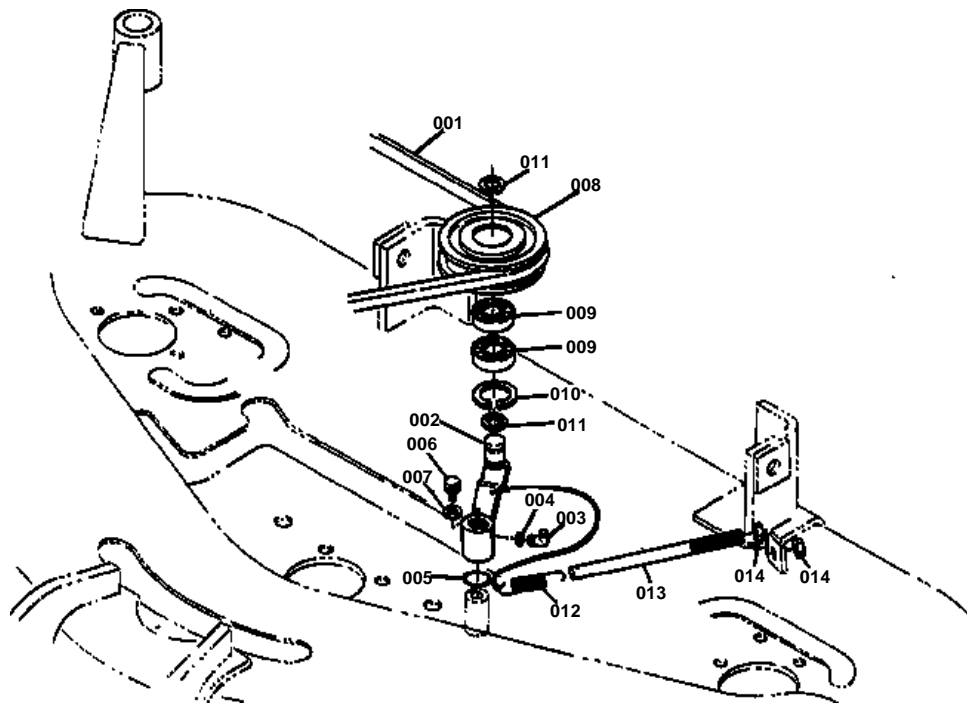


**SPINDLE 2**

↔ Interchangeable; ≠ not interchangeable; ← new for old; → old for new

REF.No	Part No.	Description	Q'ty	S.No.	I/C	REMARKS	Weight (kgf)	Weight (lb)
001	70712-34510	HOLDER 2	2				1.4	3.08
002	04013-50100	WASHER,PLAIN	8				0	0
003	01133-51022	BOLT	8				0.025	0.055
004	70712-34530	SHAFT	2				0	0
005	08101-06205	BEARING,BALL	4				0.14	0.308
006	70722-34120	SEAL,OIL	2				0.025	0.055
007	04611-00520	CIR-CLIP,INTERNAL	2				0.009	0.0198
008	70712-34550	PIECE,DISTANCE	2				0.12	0.264
009	09500-35528	SEAL,OIL	2				0.017	0.0374
010	06613-10675	NIPPLE,GREASE	2				0.003	0.0066
011	70721-33550	PULLEY	2				0	0
012	05712-00722	KEY,FEATHER	2				0.009	0.0198
013	04512-50160	WASHER,SPRING	2				0	0
014	70721-34560	WASHER,PLAIN	2				0.01	0.022
015	02172-50160	NUT	2				0.017	0.0374
016	70721-34570	PIN	4				0.005	0.011
017	70712-34330	BLADE	2				0.7	1.54
018	70712-34350	WASHER,PLAIN	2				0.092	0.2024
019	04512-50140	WASHER,SPRING	2				0	0
020	01173-51428	BOLT	2				0.049	0.1078

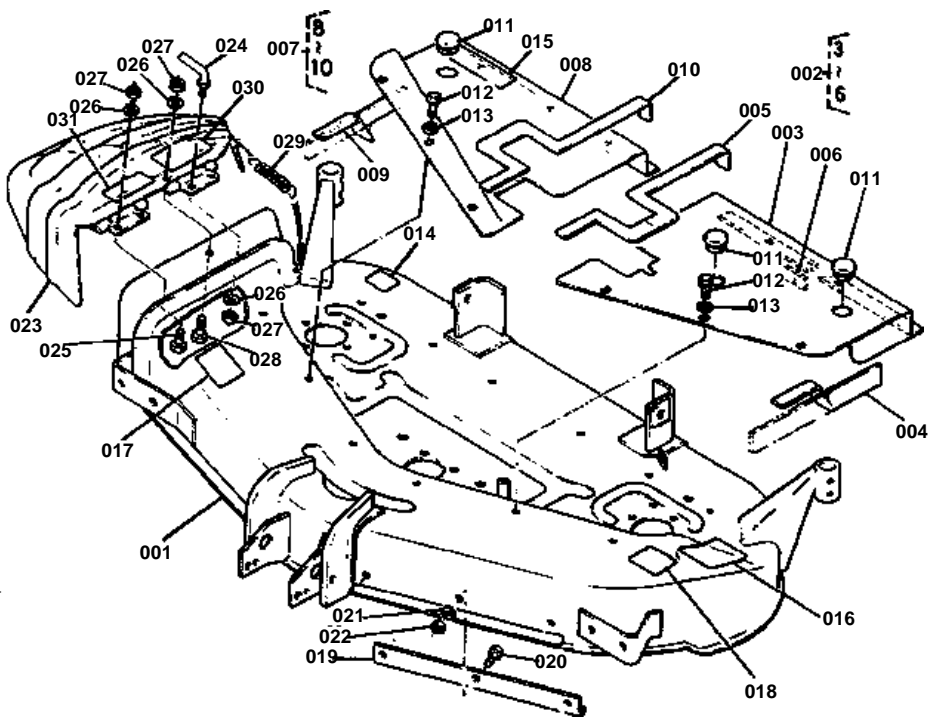
TENSION ARM



**TENSION ARM**

↔ Interchangeable; ≠ not interchangeable; ← new for old; → old for new

REF.No	Part No.	Description	Q'ty	S.No.	I/C	REMARKS	Weight (kgf)	Weight (lb)
001	70712-34710	BELT 88	1				0.37	0.814
002	70722-34730	ARM,TENSION	1				0.39	0.858
003	66616-34360	NIPPLE,GREASE	1				0	0
004	66616-34390	SHIM	1				0.001	0.0022
005	04811-06170	O RING	1				0.001	0.0022
006	01123-50814	BOLT	1				0	0
007	04015-50080	WASHER,PLAIN	1				0	0
008	70720-69212	PULLEY,TENSION 2	1				0.97	2.134
009	08141-06203	BEARING,BALL	2				0.064	0.1408
010	04611-00400	CIR-CLIP,INTERNAL	1				0.005	0.011
011	04612-00170	CIR-CLIP,EXTERNAL	2				0.001	0.0022
012	70720-34750	SPRING	1				0.09	0.198
013	70720-34770	BOLT	1				0.1	0.22
014	02118-50100	NUT	2				0.005	0.011



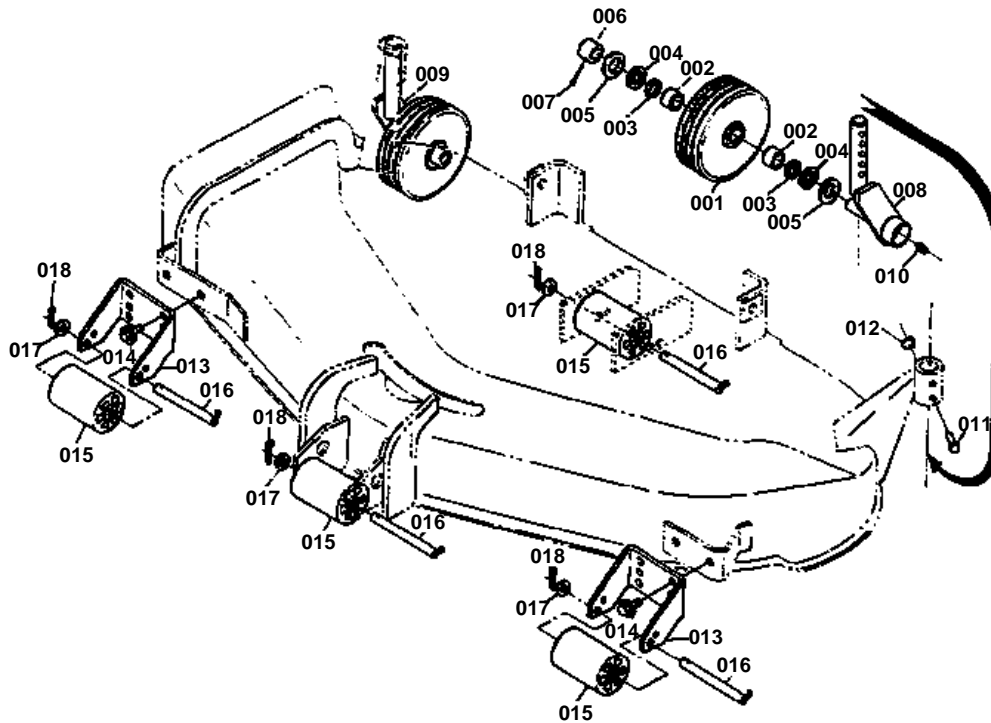


DECK

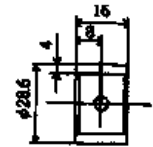
↔ Interchangeable; ≠ not interchangeable; ← new for old; → old for new

REF.No	Part No.	Description	Q'ty	S.No.	I/C	REMARKS	Weight (kgf)	Weight (lb)
001	70712-41160	DECK,MOWER	1				0	0
002	70712-41130	ASSY COVER	1			REF.No.003 TO 006	1.54	3.388
003	99999-99999	BLANK	0			ORDER BY REF.No.002	0	0
004	70722-41220	SEAL,DUST 2	1				0.001	0.0022
005	70712-41240	SEAL,DUST 4	1				0.007	0.0154
006	70722-41260	SEAL,DUST 6	1				0.02	0.044
007	70712-41150	ASSY COVER	1			REF.No.008 TO 010	1.6	3.52
008	99999-99999	BLANK	0			ORDER BY REF.No.007	0	0
009	70722-41220	SEAL,DUST 2	1				0.001	0.0022
010	70712-41280	SEAL,DUST 8	1				0.01	0.022
011	66204-51160	CAP	3				0.007	0.0154
012	01123-50820	BOLT	12				0.011	0.0242
013	04013-50080	WASHER,PLAIN	12				0	0
014	70712-41170	LABEL	1				0.001	0.0022
015	36200-98160	MARK	1				0.002	0.0044
016	70720-47153	LABEL 1	1				0	0
017	70712-41140	LABEL 2	1				0	0
018	70712-47160	LABEL	1				0.002	0.0044
019	70712-41190	PLATE	1				0.35	0.77
020	01170-51016	BOLT	3				0.016	0.0352
021	04512-50100	WASHER,SPRING	3				0	0
022	02118-50100	NUT	3				0.005	0.011
023	70712-47110	COVER	1				0	0
024	70721-47130	STOPPER,CHUTE	1				0.05	0.11
025	01173-51020	BOLT	3				0.017	0.0374
026	04512-50100	WASHER,SPRING	5				0	0
027	02118-50100	NUT	5				0.005	0.011
028	01173-51028	BOLT	1				0.022	0.0484
029	70722-47120	SPRING	1				0.06	0.132
030	70712-47140	LABEL 3	1				0	0
031	70712-34570	LABEL	1				0.002	0.0044

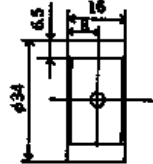
REAR WHEEL



REF.No. 6 70722-4214-0



REF.No. 6 70712-4214-0

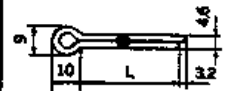


REF.No. 7 05511-50540

L : 40

REF.No. 7 05511-50545

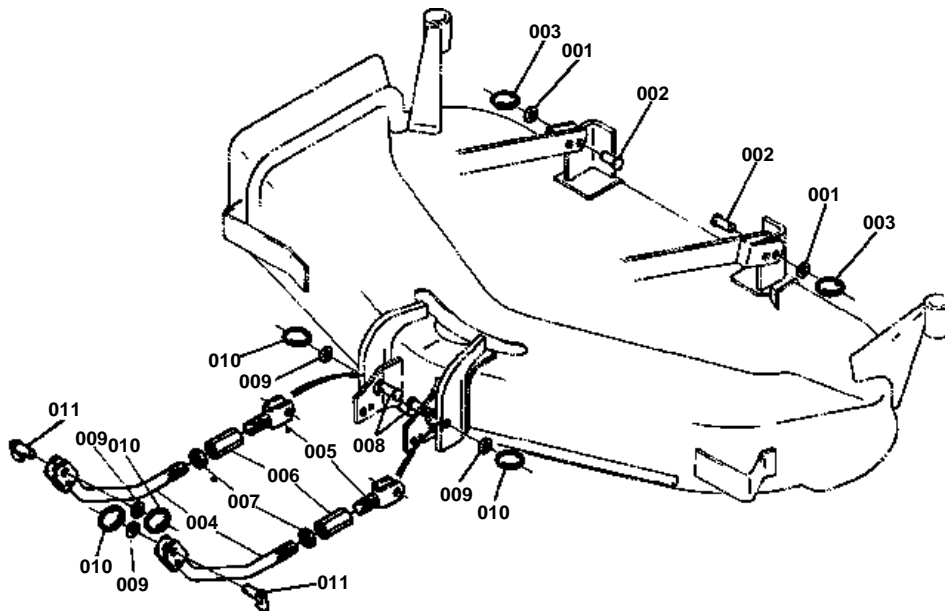
L : 45



**REAR WHEEL**

↔ Interchangeable; ≠ not interchangeable; ← new for old; → old for new

REF.No	Part No.	Description	Q'ty	S.No.	I/C	REMARKS	Weight (kgf)	Weight (lb)
001	70712-42110	WHEEL,REAR	2				1.2	2.64
002	70712-44190	BUSH 2	4				0.03	0.066
003	09220-20284	SEAL,OIL	4				0.004	0.0088
004	04611-00280	CIR-CLIP,INTERNAL	4				0.002	0.0044
005	04013-50200	WASHER,PLAIN	4				0.02	0.044
006	70722-42140	COLLAR	2	≧10001			0.035	0.077
006	70722-42140	COLLAR	2	≦11001			0.035	0.077
006	70712-42140	COLLAR	2	≧10001			0.068	0.1496
007	05511-50540	PIN,SPLIT	2	≧10001			0.009	0.0198
007	05511-50540	PIN,SPLIT	2	≦11001			0.009	0.0198
007	05511-50545	PIN,SPLIT	2	≧10001			0.01	0.022
008	70712-42150	SHAFT	1				1.07	2.354
009	70712-42170	SHAFT	1				1.07	2.354
010	06613-10010	NIPPLE,GREASE	2				0.006	0.0132
011	05122-50845	PIN	2				0.018	0.0396
012	70712-42190	RING 2	2				0.002	0.0044
013	70722-46110	STAY	2				0	0
014	01133-51025	BOLT	4				0.023	0.0506
015	70721-46170	WHEEL,REAR GAUGE	4				0	0
016	70720-46183	PIN	4				0.125	0.275
017	04011-50120	WASHER,PLAIN	4				0.005	0.011
018	05511-50425	PIN,SPLIT	4				0.003	0.0066





LINK

↔ Interchangeable; ≠ not interchangeable; ← new for old; → old for new

REF.No	Part No.	Description	Q'ty	S.No.	I/C	REMARKS	Weight (kgf)	Weight (lb)
001	04011-50120	WASHER,PLAIN	2				0.005	0.011
002	05122-51245	PIN	2				0	0
003	70712-51140	RING,SNAP	2				0.009	0.0198
004	70712-51232	LINK 3	2	≧10001			0.65	1.43
004	70713-51230	LINK 3	2	≧10001			0	0
005	70712-51240	LINK 4	2	≧10001			0.2	0.44
005	70713-51240	LINK 4	2	≧10001			0.22	0.484
006	70712-51250	TURNBUCKLE	2	≧10001			0.11	0.242
006	70713-51250	TURNBUCKLE	2	≧10001			0	0
007	02172-50180	NUT	2				0.021	0.0462
008	05122-51235	PIN	2	≧10001			0.034	0.0748
008	05122-51245	PIN	2	≧10001			0	0
009	04011-50120	WASHER,PLAIN	4				0.005	0.011
010	70712-51140	RING,SNAP	4				0.009	0.0198
011	70712-51260	PIN	2				0.045	0.099