

Instructions for Parts Books

The heading at the top of the page will be the same for the picture of the parts at it is for the page with the part numbers.

Definition of column headings on part number pages:

REF.No → The number referring to the part on the picture page of the parts book.

Part No. → The number assigned to this part at the time of printing the parts book.

Description → Discription of part.

Q'ty → Quantity of part used on that page.

S.No. → Serial number range of the equipment that this part will fit.

>= Your serial number should be greater than or equal to the number shown.

<= Your serial number should be lesser than or equal to the serial number shown.

I/C → Interchangeability of part shown.

↔ The part shown will work for the older and later serial number.

The part shown is not interchangeable with the other serial number.

← new for old

→ old for new

Remarks → Notes about this particulart part. Sometimes this may say except [FR] or [CA]

Note about Country Codes:

The parts books we use in the United States of America may also contain information about a part that would be different in another country. It is important that you are aware of the country codes in some instances.

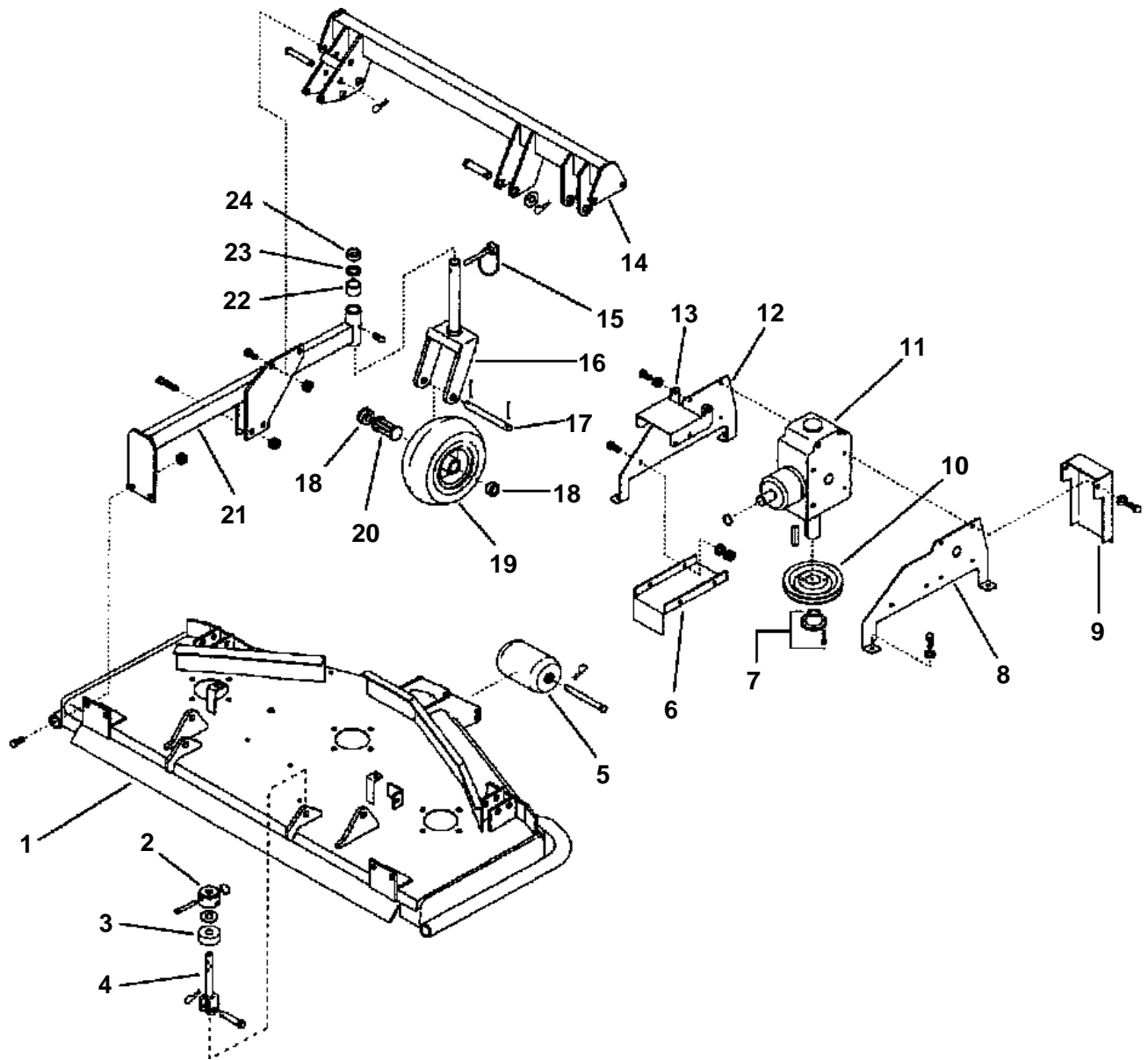
Symbol	Country
A	United States of America
CA	Canada
FR	France
GR	Greece
PO	Portugal
AU	Australia

If the remarks column says for example EXCEPT [FR] this part works in all countries except France. That means it will work here in the USA.

RC48R-F30 mower

Part No.		Book
01001	DECK COMPONENTS	100Z0201
01002	DECK COMPONENTS FASTENERS	100Z0201
01003	SHEILDS, DRIVE & MOWING COMPONENTS	100Z0201
01004	SHEILDS, DRIVE & MOWING COMPONENTS FASTENERS	100Z0201
01005	DRIVESHAFT COMPONENTS	100Z0201
01006	GEARBOX COMPONENTS	100Z0201
01007	SPINDLE COMPONENTS	100Z0201
01008	DECALS & LOCATION	100Z0201

DECK COMPONENTS



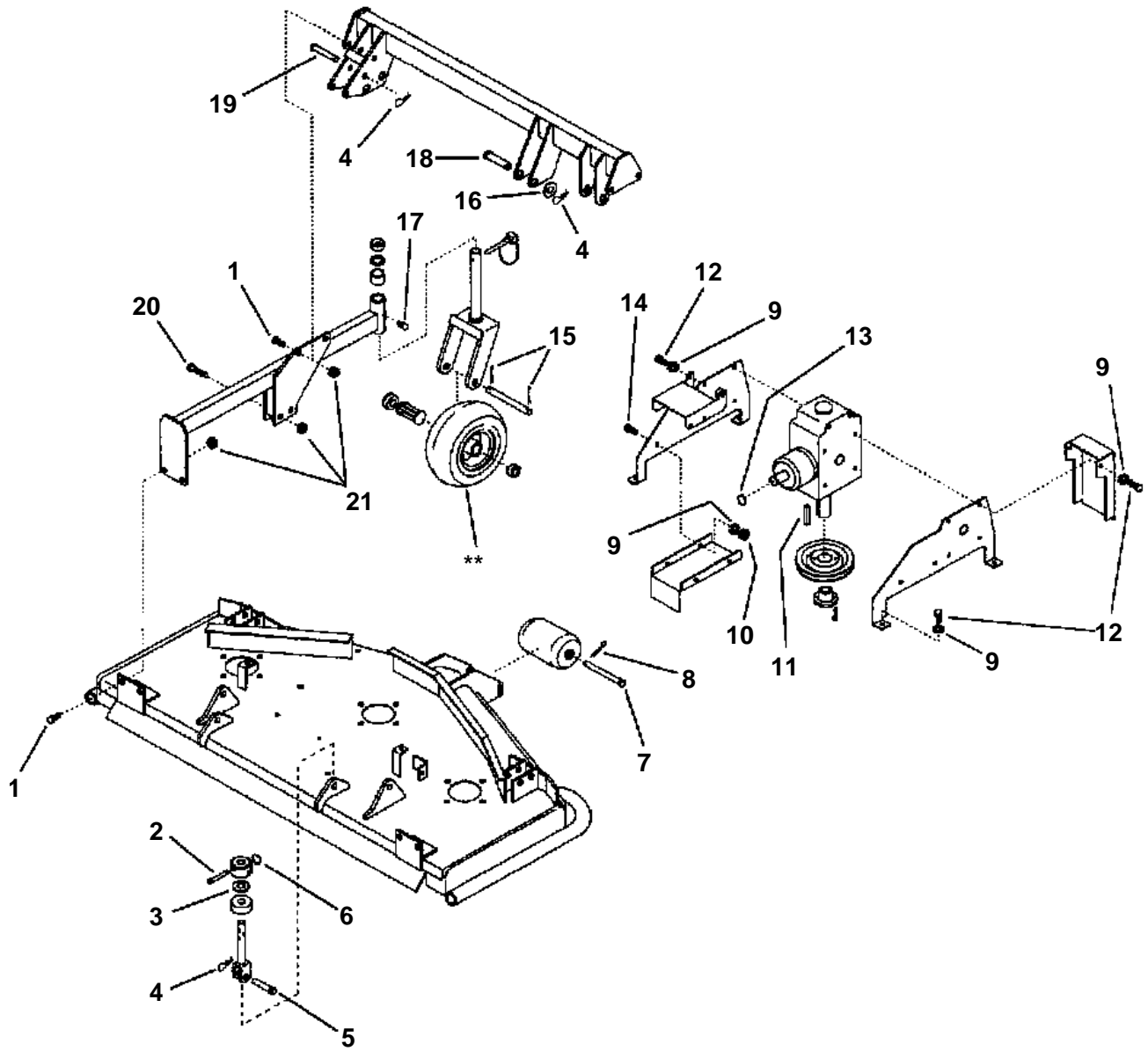


DECK COMPONENTS

↔ Interchangeable; ≠ not interchangeable; ← new for old; → old for new

REF.No	Part No.	Description	Q'ty	S.No.	I/C	REMARKS	Weight (kgf)	Weight (lb)
1	70050-94781	DECK 48 W/DECALS	1				0	0
2	70050-94582	COLLAR LIFTING	2				0	0
3	31351-29271	CUSHION RUBBER	2				0	0
4	70050-94583	LINK REAR LIFT	2				0	0
5	70050-94006	ROLLER	1				0	0
6	70050-94795	SHIELD REAR	1				0	0
7	70080-01275	COLLET HUB W/BOLTS	1				0	0
8	70050-94796	BRACKET RH	1				0	0
9	70050-94466	SHIELD FRONT	1				0	0
10	70050-94021	PULLEY 6.1 DIA.	1				0	0
11	70050-93892	GEARBOX ASSY	1				0	0
12	70050-94797	BRACKET LH	1				0	0
13	70050-94801	SHEILD PTO	1				0	0
14	70050-94798	CROSS MEMBER	1				0	0
15	70050-93913	PIN SAFETY LOCK	2				0	0
16	70050-94579	FORK GAUGE WHEEL	2				0	0
17	70050-93177	AXLE GAUGE WHEEL	2				0	0
18	70050-93178	BUSHING GAUGE WHEEL	4				0	0
19	70050-94612	WHEEL & TIRE ASSY	2				0	0
20	70050-93961	KIT BEARING	2				0	0
21	70050-94800	STRUT LH	1				0	0
21A	70050-94799	STRUT RH	1				0	0
22	70080-01289	SPACER 1	4				0	0
23	65722-75151	SPACER 1/4	4				0	0
24	70080-01288	SPACER 1/2	2				0	0

DECK COMPONENTS FASTENERS



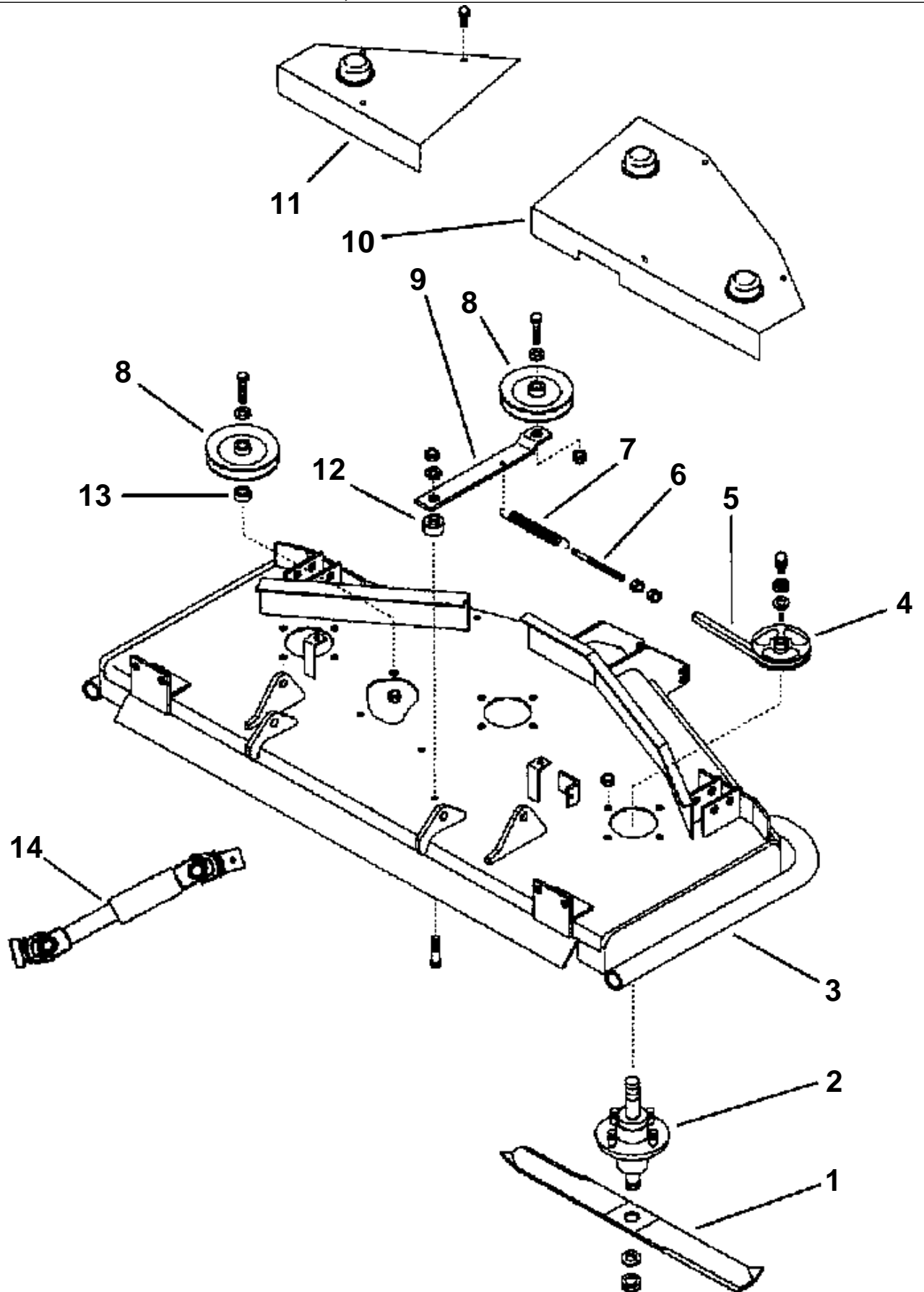


DECK COMPONENTS FASTENERS

↔ Interchangeable; ≠ not interchangeable; ← new for old; → old for new

REF.No	Part No.	Description	Q'ty	S.No.	I/C	REMARKS	Weight (kgf)	Weight (lb)
1	75599-01820	BOLT	8				0	0
2	75599-51247	PIN CLEVIS	2				0	0
3	75599-32118	FLATWASHER	2				0	0
4	70050-02036	CLIP HAIRPIN	5				0	0
5	75599-51750	PIN CLEVIS	2				0	0
6	70050-02840	RING WIRE	2				0	0
7	75599-51500	PIN CLEVIS	1				0	0
8	75599-33175	PIN COTTER	1				0	0
9	75599-33013	LOCKWASHER 3/8	16				0.01	0.022
10	75599-31013	NUT 3/8-16	4				0	0
11	70050-00284	KEY SQUARE	1				0	0
12	75599-01320	BOLT	12				0	0
13	70070-00132	RING SNAP	1				0	0
14	75599-01315	BOLT	4				0	0
15	75599-52430	PIN COTTER	4				0	0
16	75599-32017	FLATWASHER	2				0	0
17	70070-00181	FITTING GREASE	2				0	0
18	75599-51855	PIN CLEVIS	2				0	0
19	75599-51460	PIN CLEVIS	1				0.06	0.132
20	75599-01555	BOLT	4				0	0
21	75599-31935	LOCKNUT	12				0	0

SHEILDS, DRIVE & MOWING COMPONENTS



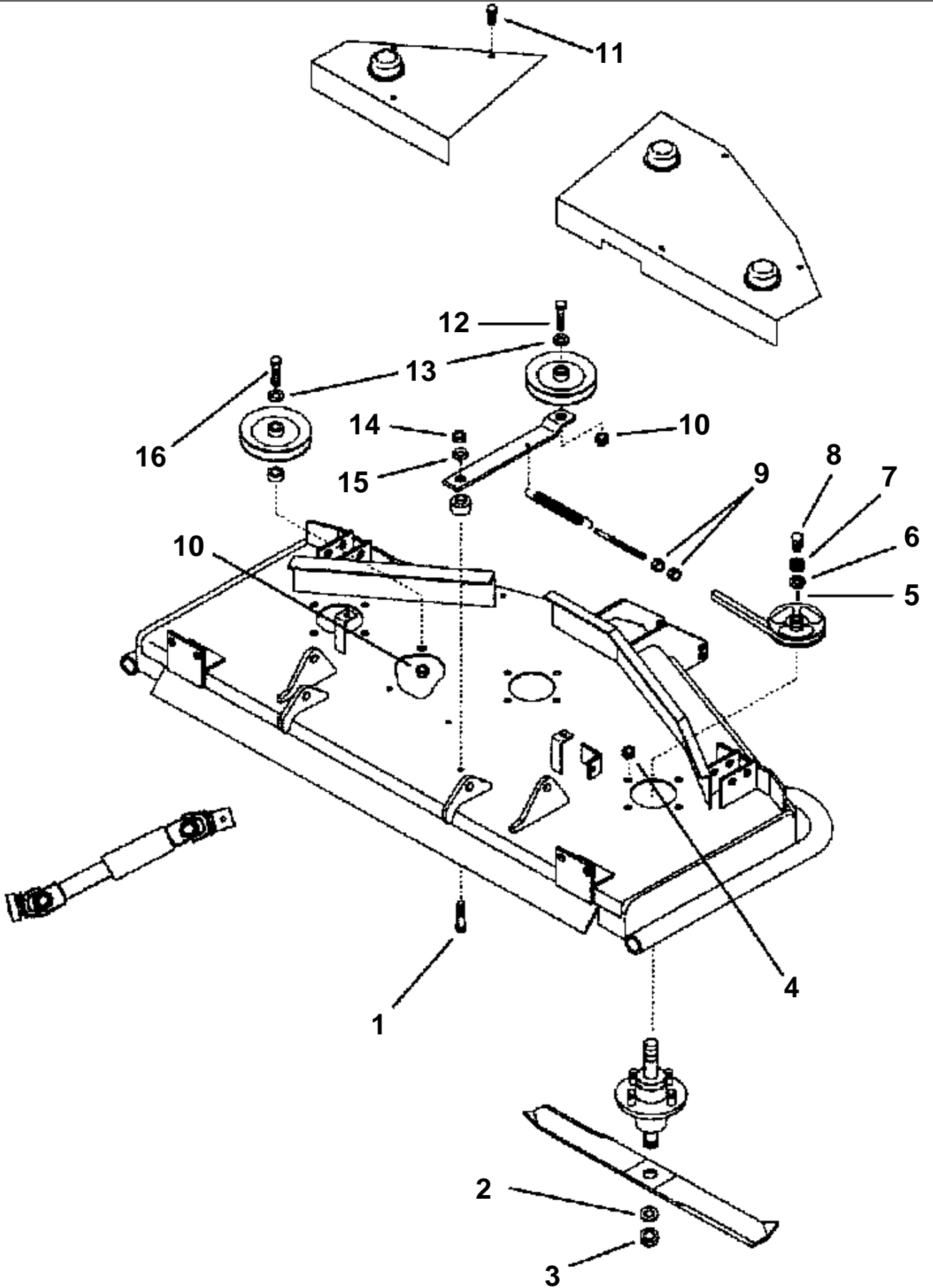


SHEILDS, DRIVE & MOWING COMPONENTS

↔ Interchangeable; ≠ not interchangeable; ← new for old; → old for new

REF.No	Part No.	Description	Q'ty	S.No.	I/C	REMARKS	Weight (kgf)	Weight (lb)
1	70050-94788	BLADE	3				0	0
2	70050-94787	SPINDLE ASSY	3				0	0
3	70050-94781	DECK 48 W/DECALS	1				0	0
4	70080-01264	PILLEY 4.6 DIA	3				0	0
5	70050-94786	BELT MOWER DECK	1				0	0
6	76700-40903	ROD TENSION	1				0	0
7	70080-00250	SPRING TENSION	1				0.1	0.22
8	70050-94785	PULLEY IDLER	2				0	0
9	70050-94784	ARM TENSION	1				0	0
10	70050-94783	SHEILD RH	1				0	0
11	70050-94782	SHEILD LH	1				0	0
12	70050-93891	SPACER TENSION ARM	1				0	0
13	70050-93886	SPACER RIGID IDLER	1				0	0
14	70050-94802	DRIVESHAFT ASSY	1				0	0

SHEILDS, DRIVE & MOWING COMPONENTS FASTENERS

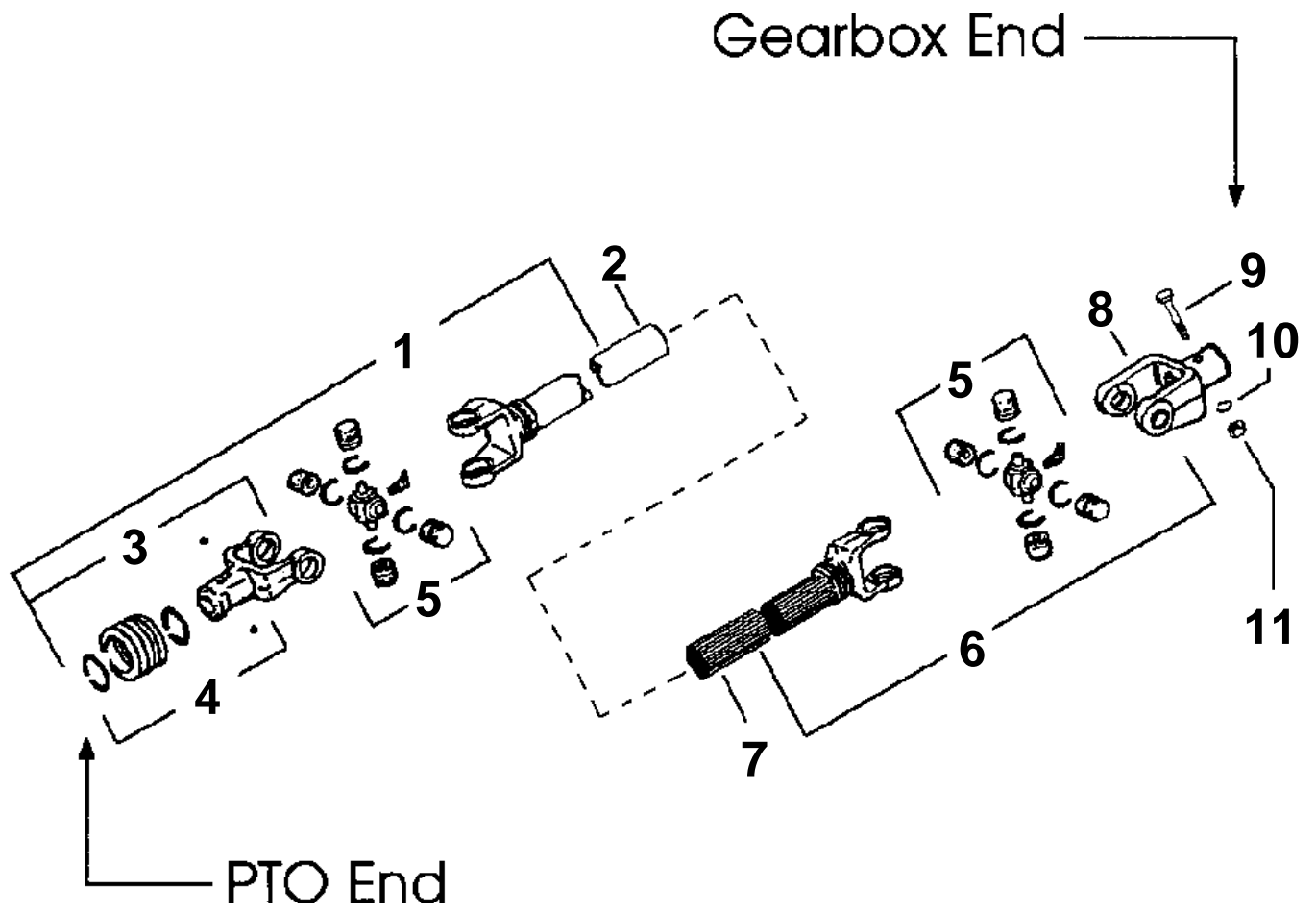




SHEILDS, DRIVE & MOWING COMPONENTS FASTENERS

↔ Interchangeable; ≠ not interchangeable; ← new for old; → old for new

REF.No	Part No.	Description	Q'ty	S.No.	I/C	REMARKS	Weight (kgf)	Weight (lb)
1	75599-01535	BOLT	1				0	0
2	70050-94071	FLATWASHER	3				0	0
3	75599-31029	NUT	3				0	0
4	75599-31024	NUT	12				0	0
5	70080-00284	KEY SQUARE	3				0	0
6	75599-32018	FLATWASHER	3				0.017	0.0374
7	75599-31948	LOCKNUT	3				0	0
8	70080-01497	FITTING GREASE	3				0	0
9	75599-31013	NUT	2				0	0
10	75599-31937	LOCKNUT	2				0	0
11	75599-01210	BOLT	6				0.01	0.022
12	75599-01735	BOLT	1				0	0
13	75599-32117	FLATWASHER	2				0	0
14	75599-31935	LOCKNUT	1				0	0
15	75599-32115	FLATWASHER	1				0	0
16	75599-01755	BOLT	1				0	0



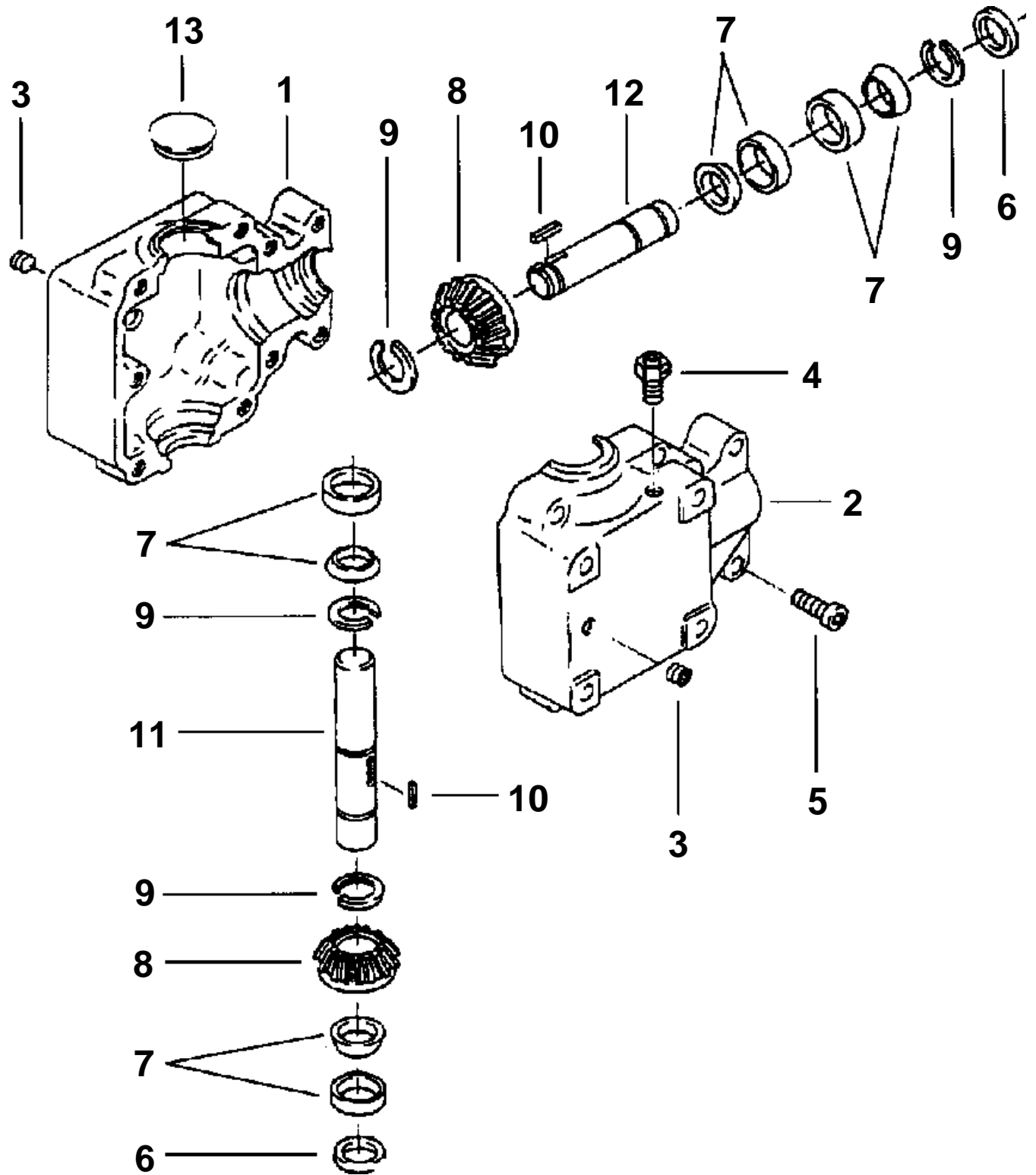


DRIVESHAFT COMPONENTS

↔ Interchangeable; ≠ not interchangeable; ← new for old; → old for new

REF.No	Part No.	Description	Q'ty	S.No.	I/C	REMARKS	Weight (kgf)	Weight (lb)
1	70050-94803	YOKE & TUBE HALF	1				0	0
2	70050-94804	TUBE	1				0	0
3	70050-94529	YOKE & SPRING LOCK	1				0	0
4	70050-93926	KIT REPAIR	1				0	0
5	70050-93250	KIT CROSS & BEARING	2				0.3	0.66
6	70050-94805	YOKE & SHAFT HALF	1				0	0
7	70050-94806	SHAFT	1				0	0
8	70050-94528	YOKE	1				0	0
9	75599-31012	BOLT SHEAR	1				0	0
10	75599-33012	LOCKWASHER	1				0.002	0.0044
11	75599-03250	NUT	1				0	0
12	70050-94802	DRIVESHAFT ASSY	1				0	0

GEARBOX COMPONENTS



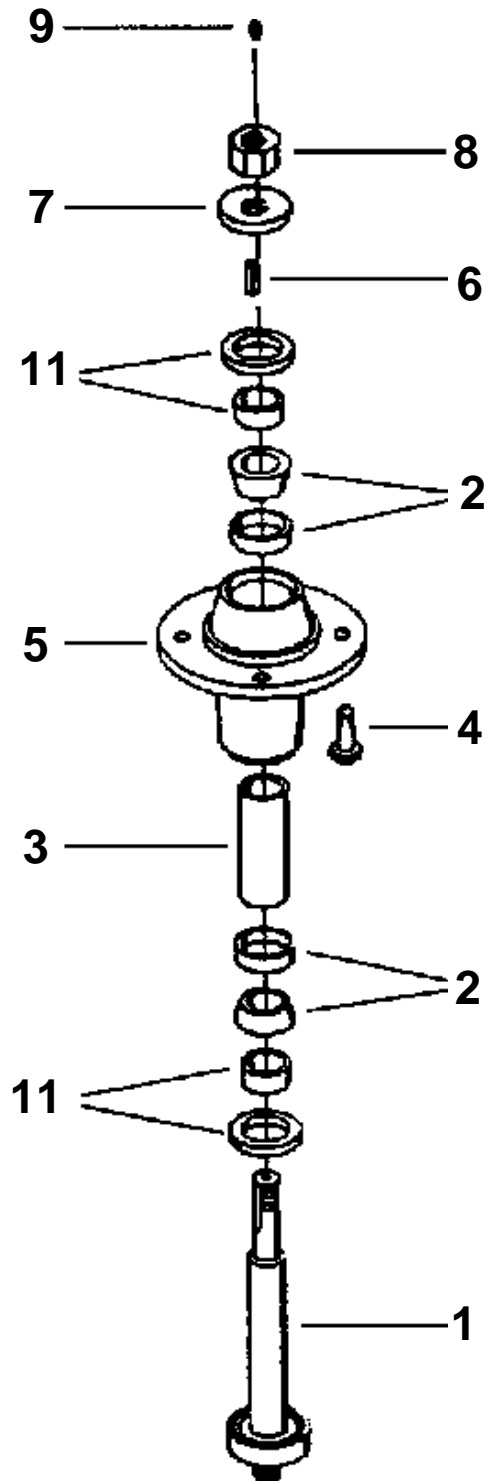


GEARBOX COMPONENTS

↔ Interchangeable; ≠ not interchangeable; ← new for old; → old for new

REF.No	Part No.	Description	Q'ty	S.No.	I/C	REMARKS	Weight (kgf)	Weight (lb)
1	70050-93931	HOUSING HALF	1				0	0
2	70050-93932	HOUSING HALF	1				0	0
3	70080-01297	PLUG FILL & CHECK	2				0	0
4	70080-01300	VENT BREATHER	1				0	0
5	70080-01301	BOLT SOCKET HEAD	9				0	0
6	70080-01302	SEAL OIL	2				0	0
7	70050-02124	BEARING CUP & CONE	4				0	0
8	70050-93934	GEAR	2				0	0
9	70080-01306	RING RETAINER	4				0	0
10	70050-93935	KEY SQUARE	2				0	0
11	70050-93936	SHAFT CROSS	1				0	0
12	70050-93937	SHAFT PINION	1				0	0
13	70050-93933	PLUG END	1				0	0
14	70050-93892	GEARBOX ASSY	1				0	0

SPINDLE COMPONENTS





SPINDLE COMPONENTS

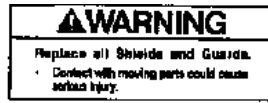
↔ Interchangeable; ≠ not interchangeable; ← new for old; → old for new

REF.No	Part No.	Description	Q'ty	S.No.	I/C	REMARKS	Weight (kgf)	Weight (lb)
1	70050-94789	SHAFT SPINDLE	1				0	0
2	70050-02124	BEARING CUP & CONE	2				0	0
3	70050-93928	SPACER 1.15	1				0	0
4	70050-02118	STUD SPECIAL	4				0	0
5	70050-93927	HOUSING SPINDLE	1				0	0
6	70080-00284	KEY SQUARE	1				0	0
7	75599-32018	FLATWASHER	1				0.017	0.0374
8	70070-00197	LOCKNUT	1				0	0
9	70070-00181	FITTING GREASE	1				0	0
10	70050-94787	SPINDLE ASSY	3				0	0
11	70050-94432	SEAL KIT	1				0	0

DECALS & LOCATION



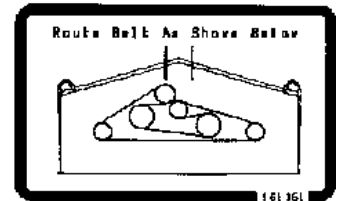
1. 65722-77141



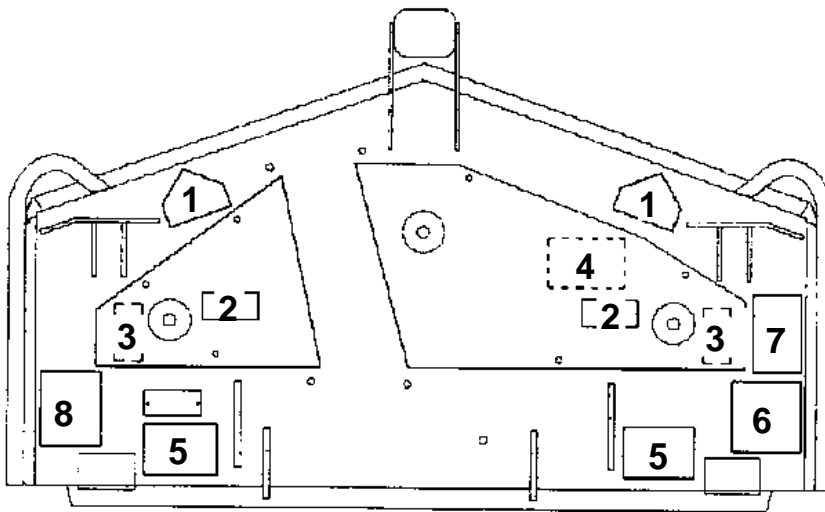
2. 70080-01438



3. 70050-93896
(on deck top
under shields)



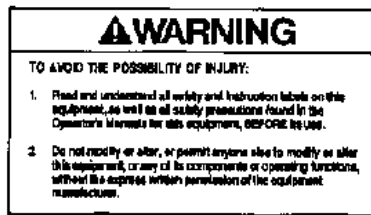
4. 70050-93911
(on deck top
under right shield)



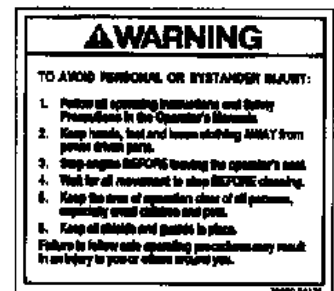
5. 65722-77151

CUTTING HEIGHT	Model	Model	Model
1 M H C 2046U	B C M T		
2 M H C 4446U	A I M T B	1 - B	
2 M H C 4546U	C I T T		
2 M H C 6746U	A C	1 - A	
2 M H C 6746U	B C		
2 M H C 7846U	A B C	2 - B	
3 M H C 7846U	C C	2 - A	
3 M H C 8546U	B C C	3 - B	
4 T H E 102897	A B C C	3 - A	

8. 70050-94688



7. 70050-93958



5. 70050-94179



DECALS & LOCATION

↔ Interchangeable; ≠ not interchangeable; ← new for old; → old for new

REF.No	Part No.	Description	Q'ty	S.No.	I/C	REMARKS	Weight (kgf)	Weight (lb)
1	65722-77141	DECAL DANGER	2				0	0
2	70080-01438	DECAL WARNING	2				0	0
3	70050-93896	DECAL WARNING	2				0	0
4	70050-93911	DECAL BELT ROUTING	1				0	0
5	65722-77151	DECAL DANGER	2				0	0
6	70050-94179	DECAL WARNING	1				0	0
7	70050-93958	DECAL WARNING	1				0.002	0.0044
8	70050-94688	DECAL CUT HEIGHT	1				0	0