

Instructions for Parts Books

The heading at the top of the page will be the same for the picture of the parts at it is for the page with the part numbers.

Definition of column headings on part number pages:

REF.No → The number referring to the part on the picture page of the parts book.

Part No. → The number assigned to this part at the time of printing the parts book.

Description → Discription of part.

Q'ty → Quantity of part used on that page.

S.No. → Serial number range of the equipment that this part will fit.

>= Your serial number should be greater than or equal to the number shown.

<= Your serial number should be lesser than or equal to the serial number shown.

I/C → Interchangeability of part shown.

↔ The part shown will work for the older and later serial number.

The part shown is not interchangeable with the other serial number.

← new for old

→ old for new

Remarks → Notes about this particulart part. Sometimes this may say except [FR] or [CA]

Note about Country Codes:

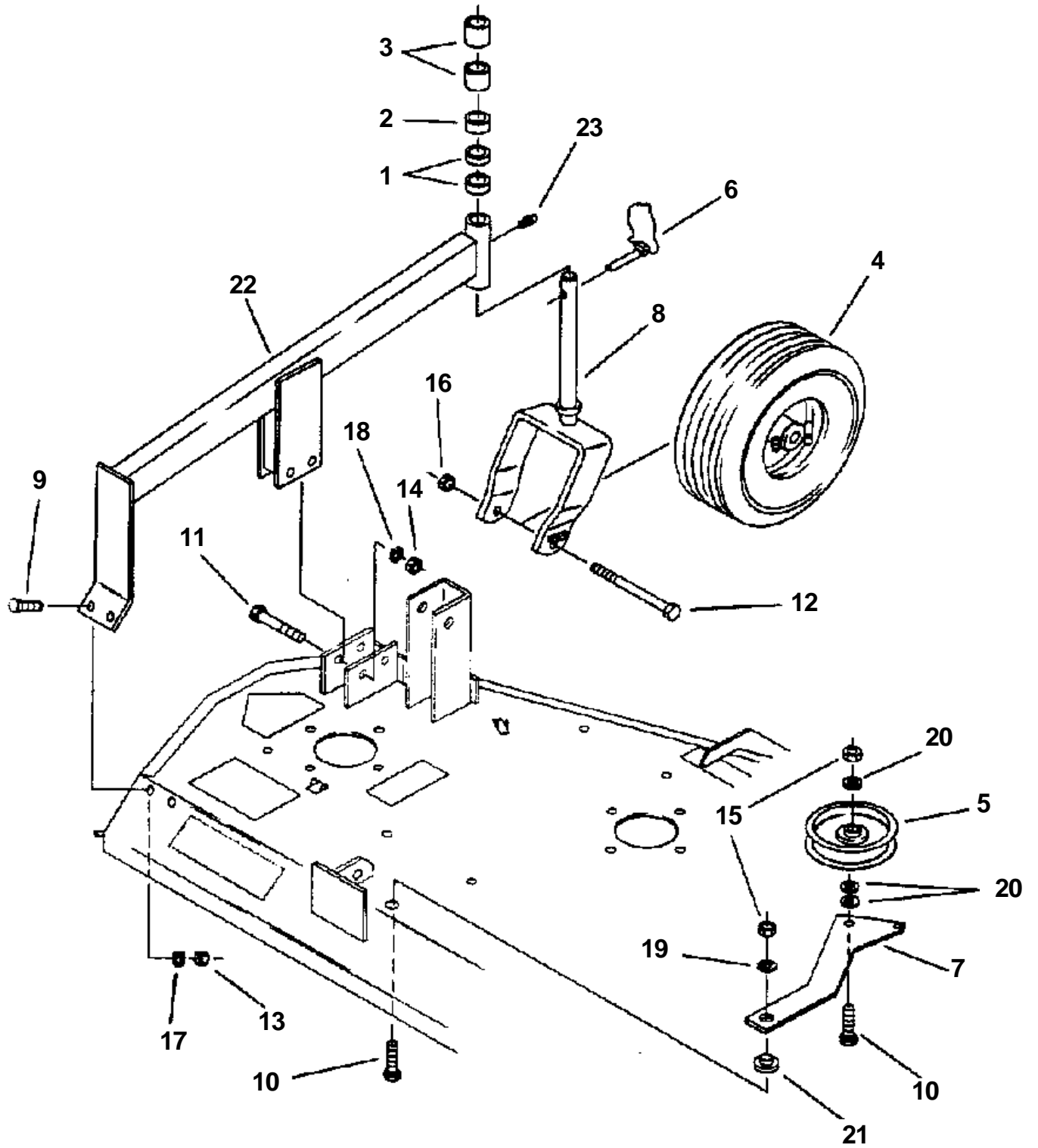
The parts books we use in the United States of America may also contain information about a part that would be different in another country. It is important that you are aware of the country codes in some instances.

Symbol	Country
A	United States of America
CA	Canada
FR	France
GR	Greece
PO	Portugal
AU	Australia

If the remarks column says for example EXCEPT [FR] this part works in all countries except France. That means it will work here in the USA.

Part No.	RC48R_GF	Book
01001	DECK COMPONENTS LIST #1	100Z0202
01002	DECK COMPONENTS LIST #2	100Z0202
01003	DECK COMPONENTS LIST #3	100Z0202
01004	GEARBOX COMPONENTS	100Z0202
01005	DRIVESHAFT COMPONENTS	100Z0202
01006	SPINDLE COMPONENTS	100Z0202
01007	SAFETY SIGNS	100Z0202
01008	SAFETY SIGN LOCATIONS	100Z0202

DECK COMPONENTS LIST #1



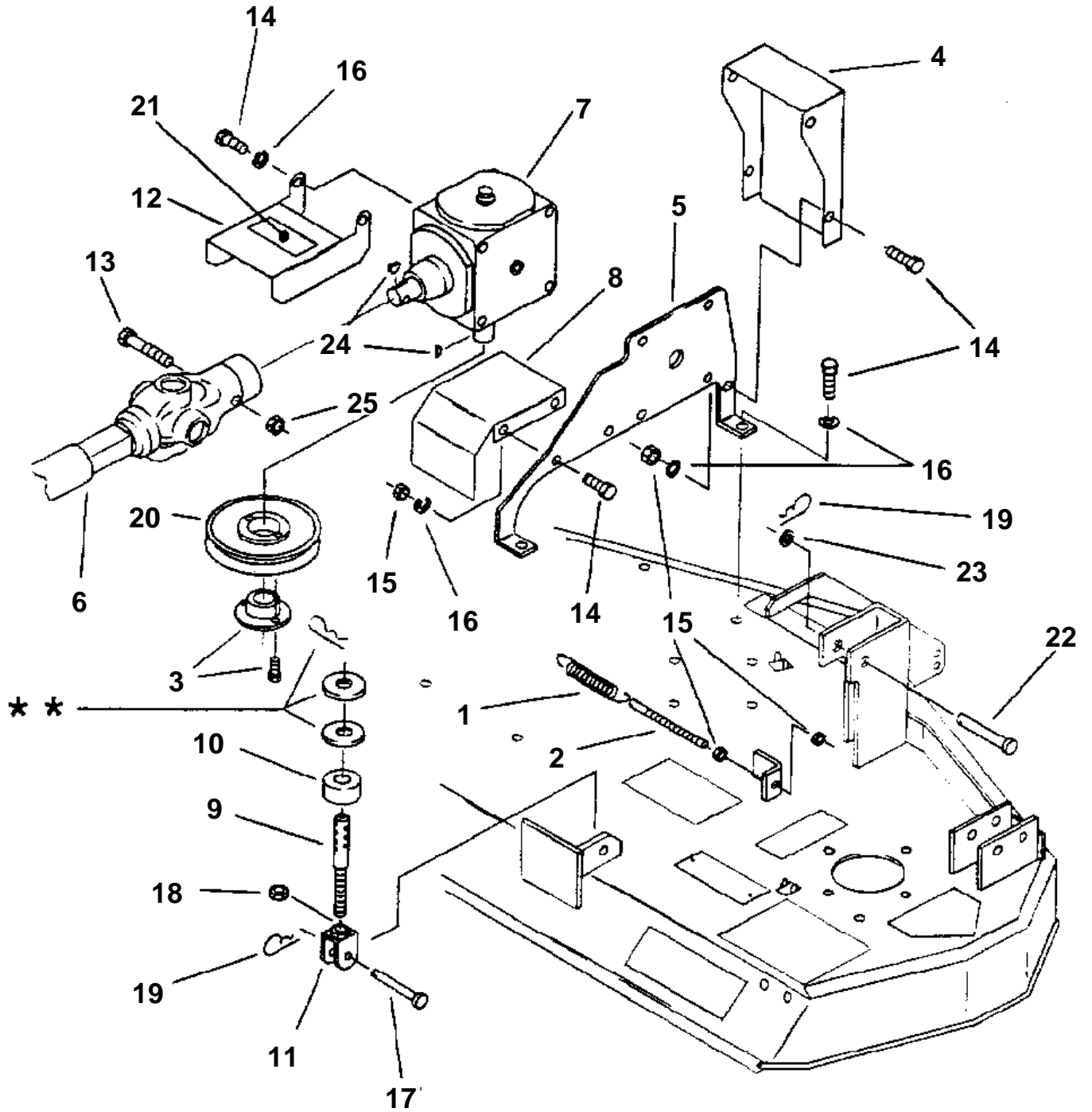


DECK COMPONENTS LIST #1

↔ Interchangeable; ≠ not interchangeable; ← new for old; → old for new

REF.No	Part No.	Description	Q'ty	S.No.	I/C	REMARKS	Weight (kgf)	Weight (lb)
1	65722-75151	SPACER 1/4	4				0	0
2	70080-01288	SPACER 1/2	2				0	0
3	70080-01289	SPACER 1	4				0	0
4	70050-94022	WHEEL & TIRE ASSY	2				0	0
5	70080-00243	PULLEY DECK IDLER	1				0	0
6	70050-93913	PIN 7/16 SAFETY LO	2				0	0
7	70050-94023	ARM TENSION	1				0	0
8	70050-94024	FORK WHEEL	2				0	0
9	75599-01325	BOLT 3/8 -16 X 1-1/	4				0	0
10	75599-01535	BOLT 1/2 -13 X 1-3/	2				0	0
11	75599-01555	BOLT 1/2 -13 X 2-3/	4				0	0
12	75599-01700	BOLT 5/8 -11 X 5	2				0	0
13	75599-31013	NUT 3/8 -16	2				0.006	0.0132
14	75599-31015	NUT 1/2 -13	4				0.01	0.022
15	75599-31935	LOCKNUT 1/2 -13	2				0	0
16	75599-31937	LOCKNUT 5/8 -11	2				0	0
17	75599-33013	LOCKWASHER 3/8	4				0.006	0.0132
18	75599-33015	LOCKWASHER 1/2	4				0.006	0.0132
19	75599-32115	FLATWASHER 1/2	1				0.02	0.044
20	70050-32015	FLATWASHER 1/2	3				0	0
21	70050-93891	BUSHING	1				0	0
22	70050-94025	STRUT	2				0	0
23	70070-00181	GREASE FITTING	2				0	0

DECK COMPONENTS LIST #2



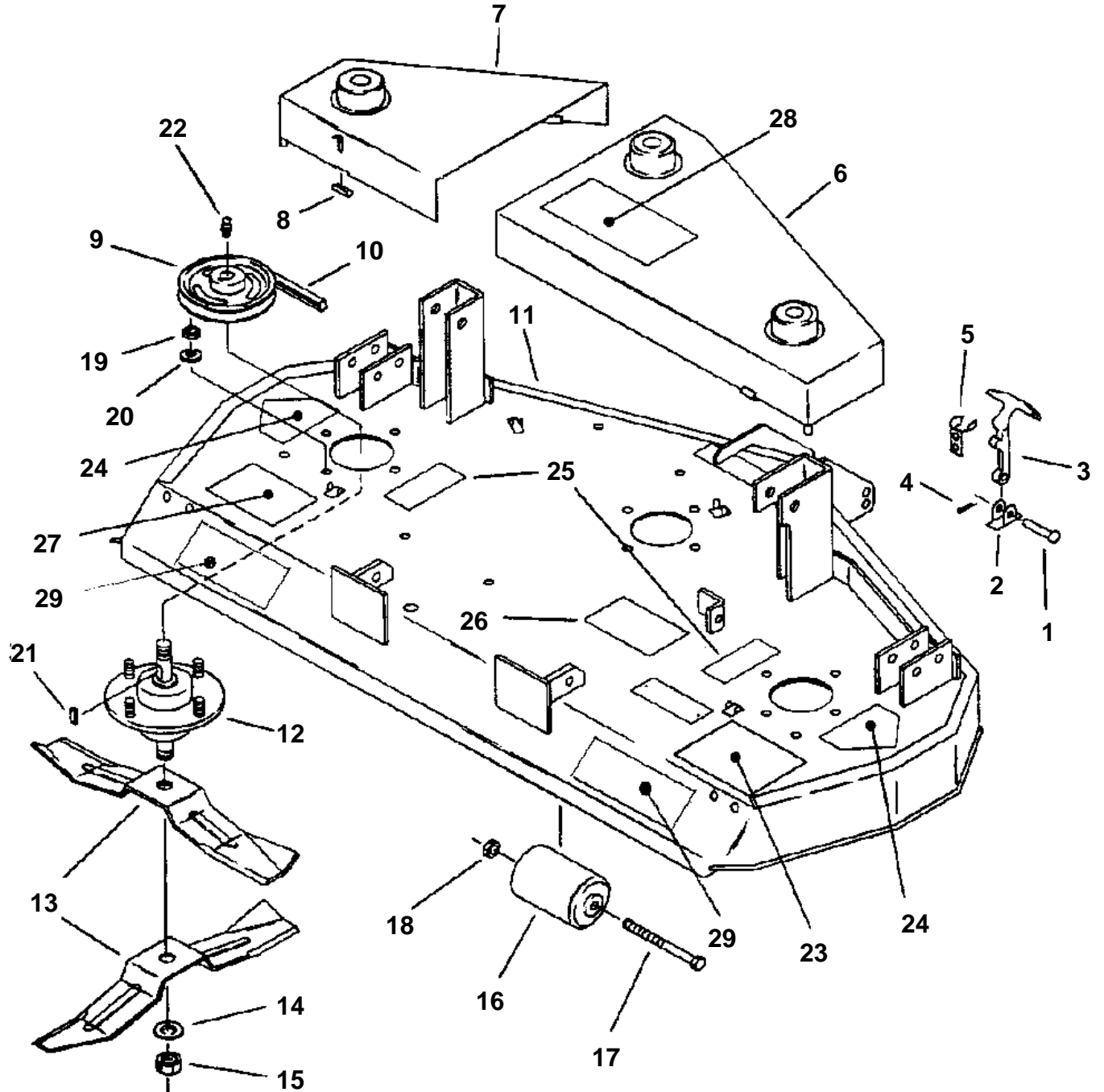


DECK COMPONENTS LIST #2

↔ Interchangeable; ≠ not interchangeable; ← new for old; → old for new

REF.No	Part No.	Description	Q'ty	S.No.	I/C	REMARKS	Weight (kgf)	Weight (lb)
1	70080-00250	SPRING TENSION	1				0.1	0.22
2	70080-01265	ROD THREADED BELT	1				0	0
3	70080-01275	COLLET HUB WITH	1				0	0
4	70050-93972	SHIELD FRONT	1				0	0
5	70050-94008	PLATE RH GEARBOX	1				0	0
5A	70050-94009	PLATE LH GEARBOX	1				0	0
6	70050-94010	DRIVESHAFT ASSY	1				0	0
7	70050-94016	GEARBOX ASSY.	1				0	0
8	70050-94017	SHIELD REAR	1				0	0
9	70050-94018	ROD THREADED REAR	2				0	0
10	70050-94050	SPACER .68 I.D. X 2	2				0	0
11	70050-94019	HOLDER REAR HEIGHT	2				0	0
12	70050-94020	SHIELD WITH SAFETY	1				0	0
13	75599-01145	BOLT 1/4 -20 X 2-1/	1				0	0
14	75599-01320	BOLT 3/8 -16 X 1	18				0	0
15	75599-31013	NUT 3/8 -16	8				0.006	0.0132
16	75599-33013	LOCKWASHER 3/8	18				0.006	0.0132
17	75599-51750	CLEVIS PIN	2				0	0
18	75599-31017	NUT 5/8-11	2				0.033	0.0726
19	70050-02036	HAIRPIN CLIP 1/8	4				0	0
20	70050-94021	PULLEY GEARBOX 6.1	1				0	0
21	70080-01438	SAFETY SIGN WARNING	1				0	0
22	75599-51855	CLEVIS PIN	2				0	0
23	75599-32018	FLATWASHER 3/4	2				0.017	0.0374
24	70050-94055	KEY WOODRUFF	2				0	0
25	75599-31931	LOCKNUT 1/4-20	1				0.004	0.0088

DECK COMPONENTS LIST #3



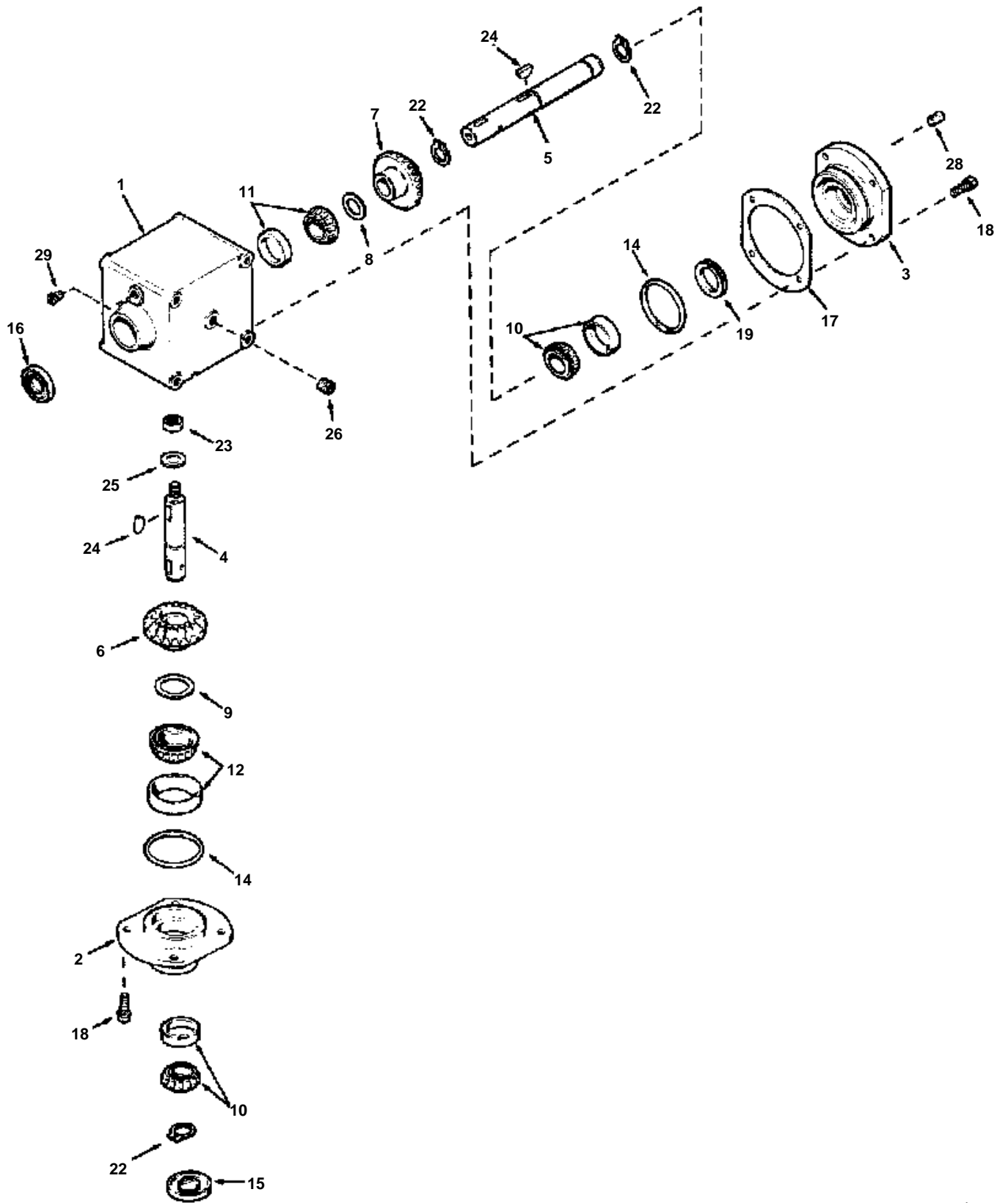


DECK COMPONENTS LIST #3

↔ Interchangeable; ≠ not interchangeable; ← new for old; → old for new

REF.No	Part No.	Description	Q'ty	S.No.	I/C	REMARKS	Weight (kgf)	Weight (lb)
1	70050-01612	CLEVIS PIN 3/16 X	4				0	0
2	70050-93885	BRACKET	4				0	0
3	70050-93185	RUBBER HANDLE	4				0	0
4	75599-52015	COTTER PIN	4				0	0
5	70050-93189	KEEPER LATCH	4				0	0
6	70050-94000	SHIELD RH	1				0	0
7	70050-94001	SHIELD LH	1				0	0
8	70050-93895	MOLDING 2	8				0	0
9	70080-01264	SHEAVE SPINDLE	1				0	0
10	70050-93999	BELT B100	1				0	0
11	70050-94002	MOWER DECK	1				0	0
12	70050-94003	SPINDLE ASSY	3				0	0
13	70050-94005	BLADE 1.25 OFFSET	6				0	0
14	70050-94071	FLATWASHER SPECIAL	3				0	0
15	75599-31029	NUT 7/8-14 UNF	3				0	0
16	70050-94006	ROLLER. 3 DIAMETER	3				0	0
17	75599-01500	BOLT 1/2 -13 X 5	3				0	0
18	75599-31935	LOCKNUT 1/2-13	3				0	0
19	75599-31024	NUT 7/16-20	12				0.013	0.0286
20	75599-33014	LOCKWASHER 7/16	12				0.006	0.0132
21	70080-00284	KEY 1/4 SQUARE X 1	3				0	0
22	70070-00181	GREASE FITTING	3				0	0
23	70080-01437	WARNING DECAL	1				0	0
24	65722-77141	DANGER DECAL	2				0	0
25	70050-93896	WARNING DECAL	2				0	0
26	70050-94007	INSTRUCTION DECAL	1				0	0
27	70050-93958	WARNING DECAL	1				0.002	0.0044
28	70050-94054	INSTRUCTION DECAL	1				0	0
29	65722-77151	DANGER DECAL	2				0	0

GEARBOX COMPONENTS



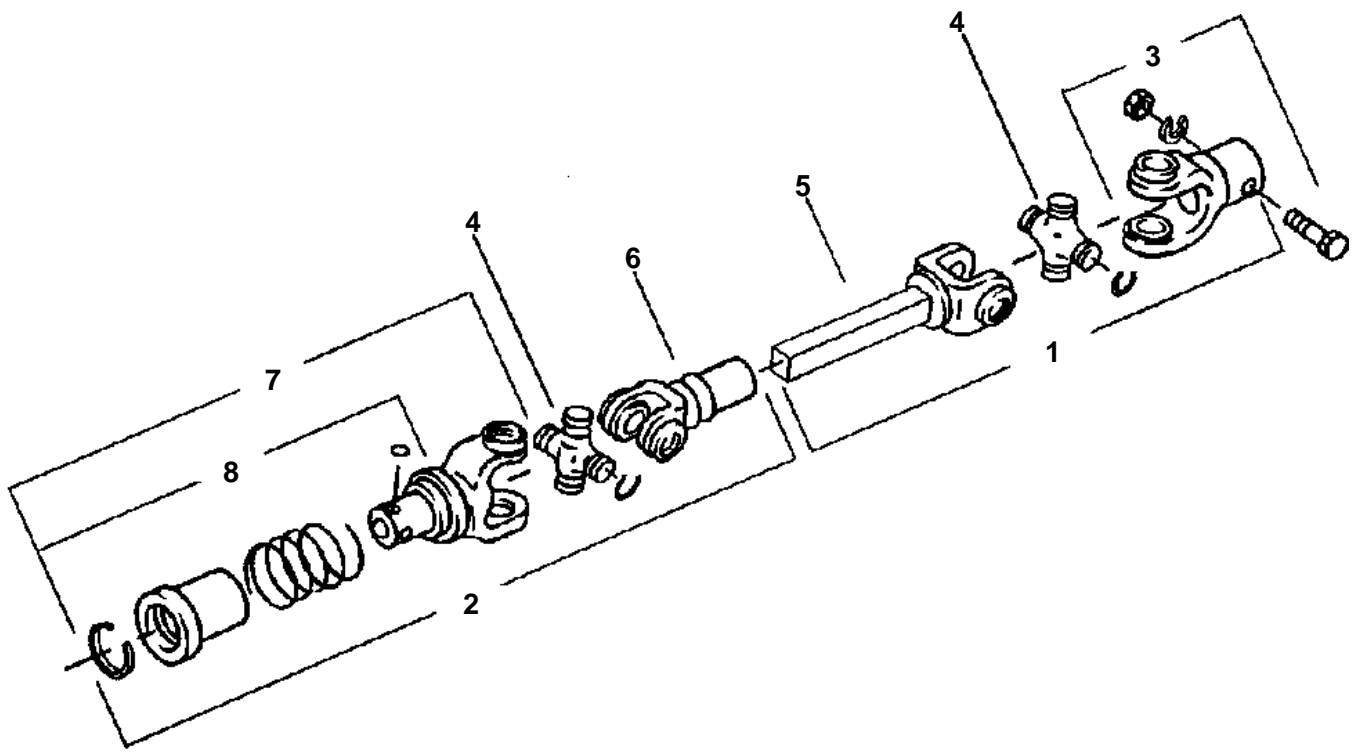


GEARBOX COMPONENTS

↔ Interchangeable; ≠ not interchangeable; ← new for old; → old for new

REF.No	Part No.	Description	Q'ty	S.No.	I/C	REMARKS	Weight (kgf)	Weight (lb)
1	70050-94026	HOUSING	1				0	0
2	70050-94027	CAP RETAINER	1				0	0
3	70050-94028	CAP RETAINER	1				0	0
4	70050-94029	SHAFT INPUT	1				0	0
5	70050-94030	SHAFT OUTPUT	1				0	0
6	70050-94031	GEAR BEVEL	1				0	0
7	70050-94032	GEAR BEVEL	1				0	0
8	70050-94033	.002 SHIM	1				0	0
9	70050-94034	.002 SHIM	1				0	0
10	70050-94035	BEARING ASSY	2				0	0
12	70050-94036	BEARING ASSY	1				0	0
14	70050-94037	O-RING	1				0	0
15	70050-94038	SEAL OIL	1				0	0
16	70050-94039	SEAL OIL	1				0	0
17	70050-94040	SHIM RETAINER CAP	1				0	0
18	70050-94041	SCREW 5/16 -18 X 1	8				0	0
19	70050-94042	RING LOAD	1				0	0
22	70050-94043	RING RETAINING	3				0	0
23	70050-94044	JAM NUT 3/4-18	1				0	0
24	70050-94045	KEY WOODRUFF	2				0	0
25	70050-94046	FLATWASHER SPECIAL	1				0	0
26	70050-94047	PIPE PLUG 1/4-18	2				0	0
28	70050-94049	RELIEF VALVE	1				0	0
29	70050-94048	PIPE PLUG 1/8 NPT	1				0	0

DRIVESHAFT COMPONENTS



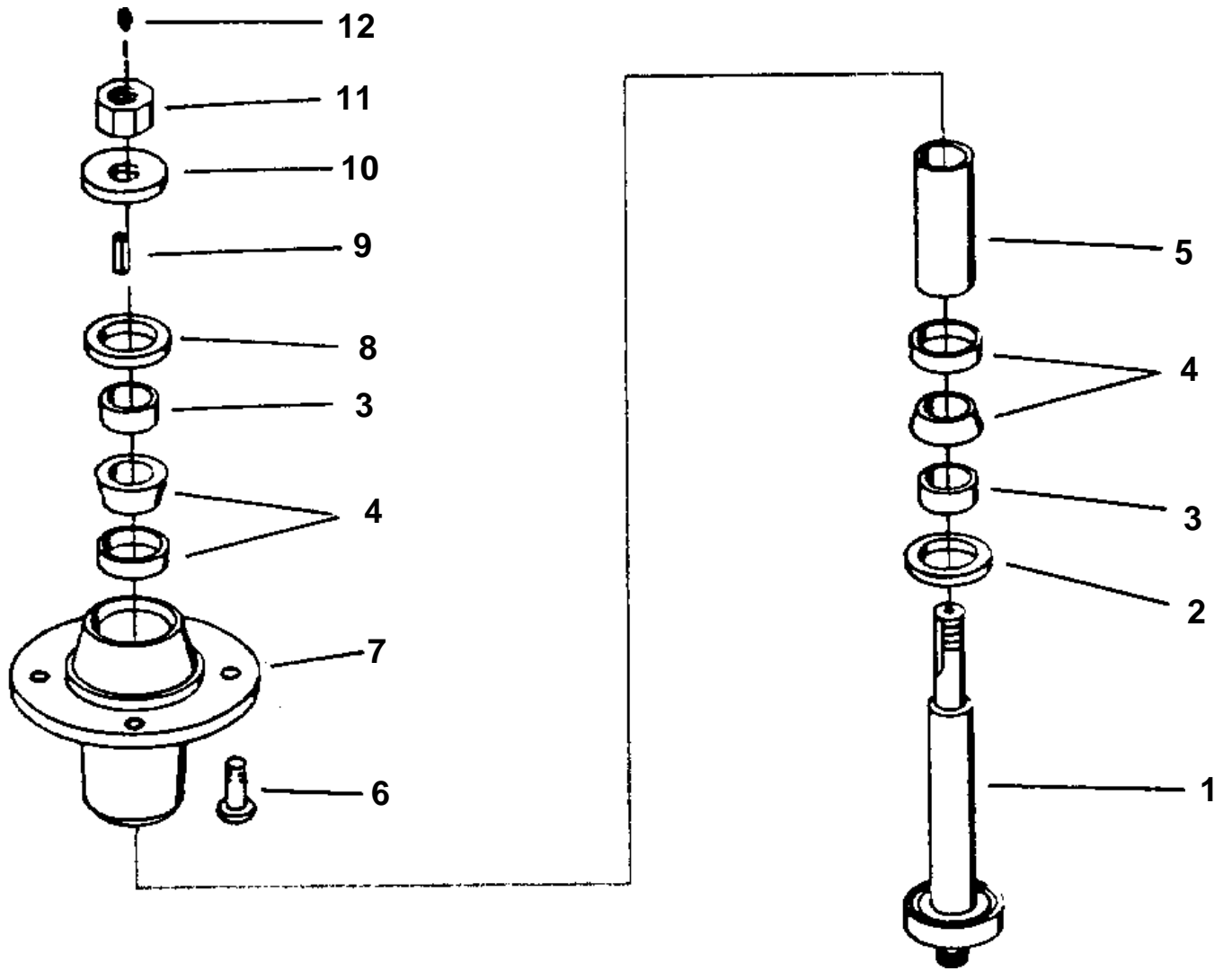


DRIVESHAFT COMPONENTS

↔ Interchangeable; ≠ not interchangeable; ← new for old; → old for new

REF.No	Part No.	Description	Q'ty	S.No.	I/C	REMARKS	Weight (kgf)	Weight (lb)
1	70050-94011	SHAFT HALF ASSY	1				0	0
2	70050-94012	SHAFT HALF ASSY	1				0	0
3	70050-94013	YOKE BOLT-ON END	1				0	0
3A	75599-01145	BOLT 1/4-20 X 2-1/2	1				0	0
3B	75599-31931	LOCKNUT 1/4-20	1				0.004	0.0088
4	70050-93295	U-JOINT KIT	2				0	0
5	70050-94014	SHAFT & YOKE	1				0	0
6	70050-94015	TUBE & YOKE	1				0	0
7	70050-93291	YOKE & SPRING LOK	1				0	0
8	70050-93296	REPAIR KIT	1				0	0

SPINDLE COMPONENTS



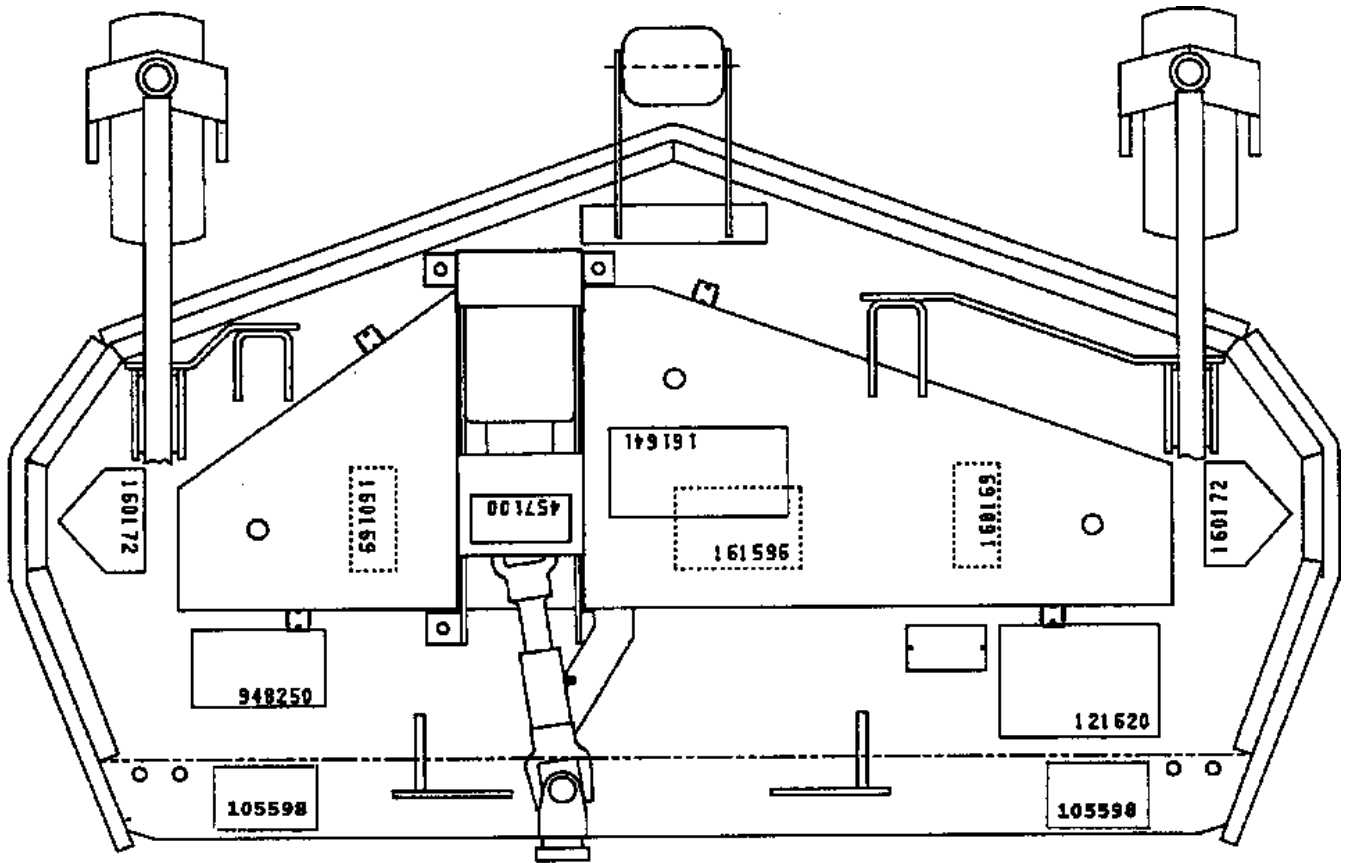


SPINDLE COMPONENTS

↔ Interchangeable; ≠ not interchangeable; ← new for old; → old for new

REF.No	Part No.	Description	Q'ty	S.No.	I/C	REMARKS	Weight (kgf)	Weight (lb)
1	70050-94004	SHAFT SPINDLE	1				0	0
2	70050-02121	SEAL LOWER	1				0	0
3	70050-02123	SPACER SEAL	1				0	0
4	70050-02124	BEARING ASSY	4				0	0
5	70050-93928	SPACER BEARING	1				0	0
6	70050-02118	STUD SPECIAL	2				0	0
7	70050-93927	HOUSING SPINDLE	2				0	0
8	70050-02120	SEAL UPPER	1				0	0
9	70080-00284	KEY 1/4 SQUARE X 1	1				0	0
10	75599-32018	FLATWASHER 3/4 SAE	1				0.017	0.0374
11	75599-31948	LOCKNUT 3/4-16	1				0	0
12	70070-00181	FITTING GREASE	1				0	0

SAFETY SIGNS



CODE	—	PART NO
105598	—	65722-77151
121620	—	70080-01437
160169	—	70050-93896
160172	—	65722-77141

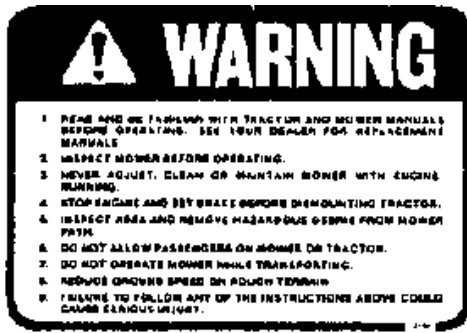
CODE	—	PART NO
161596	—	70050-94007
181641	—	70050-94054
457100	—	70080-01438
948250	—	70050-93958



SAFETY SIGNS

↔ Interchangeable; ≠ not interchangeable; ← new for old; → old for new

REF.No	Part No.	Description	Q'ty	S.No.	I/C	REMARKS	Weight (kgf)	Weight (lb)
1	70080-01437	WARNING DECAL	1				0	0
2	70050-94054	CUTTING HEIGHT DECAL	1				0	0
3	70050-93896	WARNING DECAL	2				0	0
4	70080-01438	WARNING DECAL	1				0	0
5	65722-77141	DANGER DECAL	2				0	0
6	65722-77151	DANGER DECAL	2				0	0
7	70050-94007	INSTRUCTION DECAL	1				0	0
8	70050-93958	WARNING DECAL	1				0.002	0.0044



70080-01437

CUTTING WEIGHT			
0 (IN L 2500)			
1 (IN L 3200)	A A R T	1	
1 (IN L 3200)	B C M T		
1 (IN L 3400)	A L W E W	2	- X
2 (IN L 5100)	R C T F	3	
2 (IN L 5100)	A C		
2 (IN L 6100)	R C	4	
2 (IN L 7000)	A F C		
2 (IN L 7000)	E C C	5	- Y
3 (IN L 8500)	R E C	6	
1 (IN L 8500)	A A B C C	7	

70050-94054



70050-93896



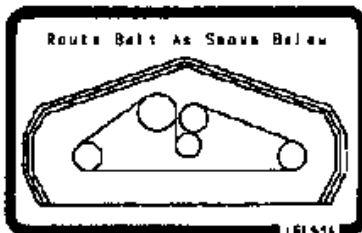
70080-01438



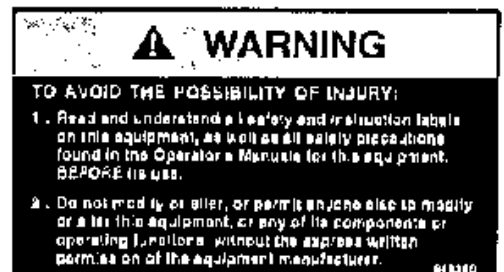
65722-77141



65722-77151



70050-94007



70050-93958



SAFETY SIGN LOCATIONS

↔ Interchangeable; ≠ not interchangeable; ← new for old; → old for new

REF.No	Part No.	Description	Q'ty	S.No.	I/C	REMARKS	Weight (kgf)	Weight (lb)
1	65722-77151	105598	2				0	0
2	70080-01437	121620	1				0	0
3	70050-93896	160169	2				0	0
4	65722-77141	160172	2				0	0
5	70050-94007	161596	1				0	0
6	70050-94054	161641	1				0	0
7	70080-01438	457100	1				0	0
8	70050-93958	948250	1				0.002	0.0044