

Instructions for Parts Books

The heading at the top of the page will be the same for the picture of the parts as it is for the page with the part numbers.

Definition of column headings on part number pages:

REF.No → The number referring to the part on the picture page of the parts book.

Part No. → The number assigned to this part at the time of printing the parts book.

Description → Description of part.

Q'ty → Quantity of part used on that page.

S.No. → Serial number range of the equipment that this part will fit.

>= Your serial number should be greater than or equal to the number shown.

<= Your serial number should be lesser than or equal to the serial number shown.

I/C → Interchangeability of part shown.

↔ The part shown will work for the older and later serial number.

The part shown is not interchangeable with the other serial number.

← new for old

→ old for new

Remarks → Notes about this particular part. Sometimes this may say except [FR] or [CA]

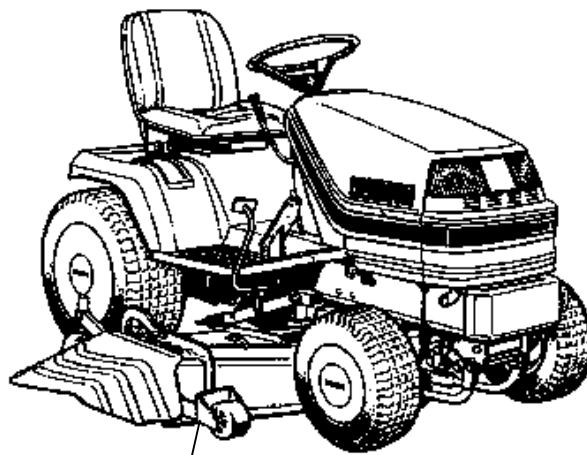
Note about Country Codes:

The parts books we use in the United States of America may also contain information about a part that would be different in another country. It is important that you are aware of the country codes in some instances.

Symbol	Country
A	United States of America
CA	Canada
FR	France
GR	Greece
PO	Portugal
AU	Australia

If the remarks column says for example EXCEPT [FR] this part works in all countries except France. That means it will work here in the USA.

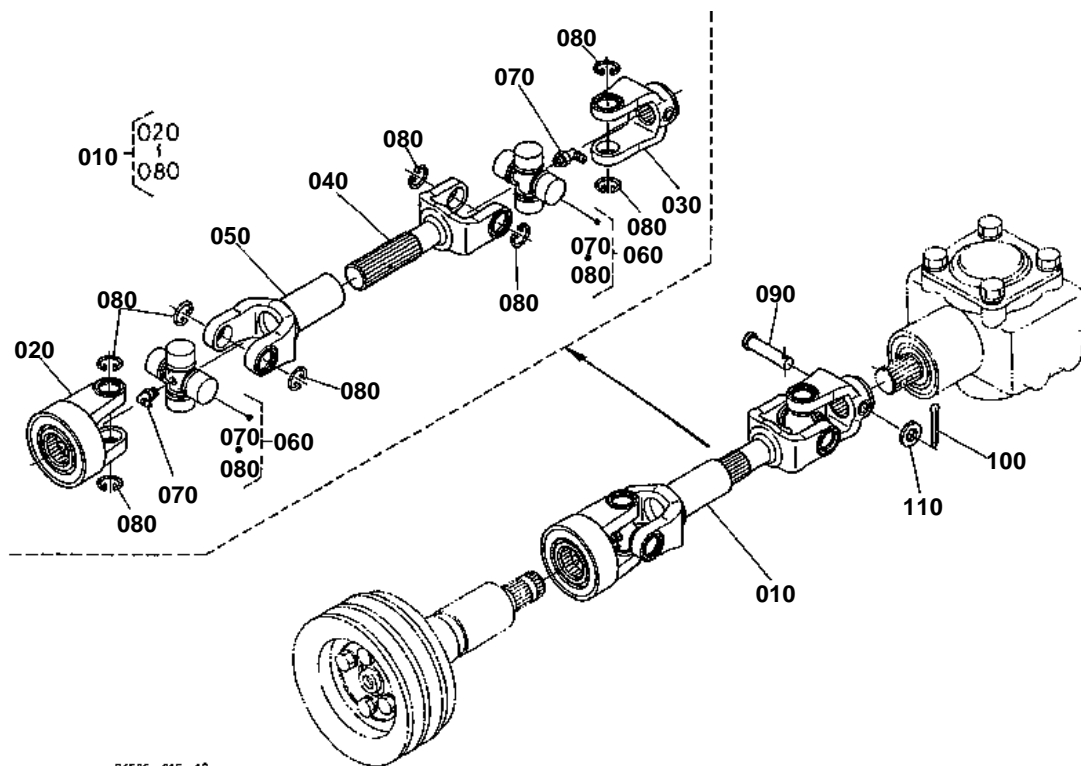
ALL PRODUCT INDEX
RC48-G20



MOWER

Item	Part No.	Description	Book
MOWER	01G120	UNIVERSAL JOINT	100K0511
	01G121	GEAR BOX/CENTER PULLEY	100K0511
	01G123	PULLEY HOLDER/BLADE	100K0511
	01G125	SIDE PULLEY/BLADE	100K0511
	01G127	TENSION PULLEY	100K0511
	01G128	MOWER DECK	100K0511
	01G130	FRONT WHEEL	100K0511
	01G132	REAR WHEEL	100K0511
	01G135	DISCHARGE COVER	100K0511
	01G137	REAR LINKAGE [2WS]	100K0511
	01G142	FRONT LINKAGE	100K0511
	01G146	ACCESSORIES AND SERVICE PARTS	100K0511

UNIVERSAL JOINT



76506-015-10

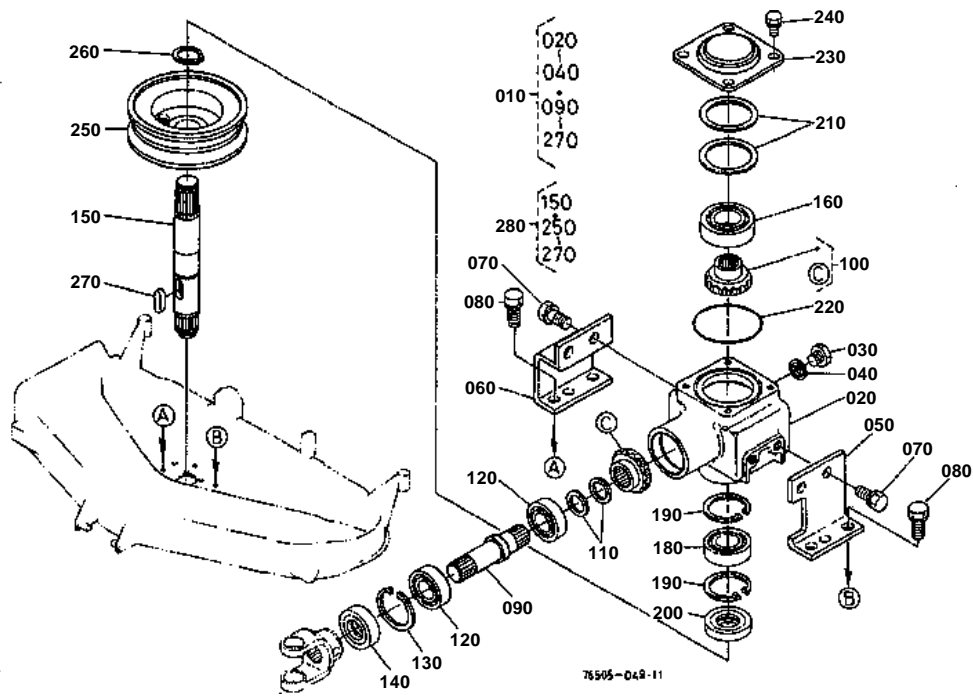


UNIVERSAL JOINT

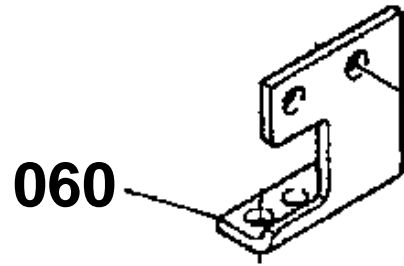
↔ Interchangeable; ≠ not interchangeable; ← new for old; → old for new

REF.No	Part No.	Description	Q'ty	S.No.	I/C	REMARKS	Weight (kgf)	Weight (lb)
010	76505-32040	ASSY JOINT UNIVERSAL	1			2WS	2.9	6.38
020	76539-31150	YOKE QUICK	1			2WS	0.55	1.21
030	76505-31130	JOINT PTO	1			2WS	0.42	0.924
040	76505-31190	SHAFT JOINT	1			2WS	0.9	1.98
050	76505-31200	YOKE JOINT	1			2WS	0.6	1.32
060	76539-31180	ASSY JOINT CROSS	2			2WS	0.21	0.462
070	76539-31210	NIPPLE GREASE	2			2WS	0.01	0.022
080	76539-32120	RING SNAP	8			2WS	0.003	0.0066
090	05122-50845	PIN JOINT	1				0.018	0.0396
100	05511-50218	PIN SPLIT	1				0.001	0.0022
110	04012-50080	WASHER PLAIN	1				0.001	0.0022

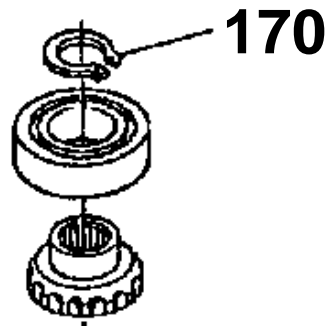
GEAR BOX/CENTER PULLEY



060 76505-3315-0



170 04612-00220



76505-810-11

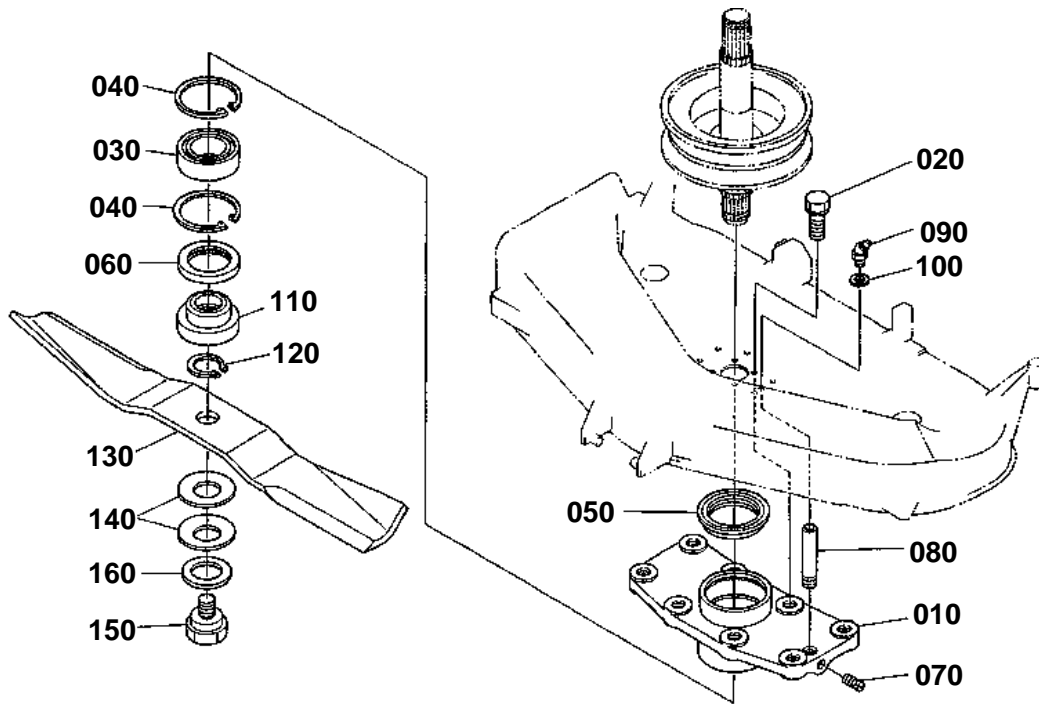


GEAR BOX/CENTER PULLEY

↔ Interchangeable; ≠ not interchangeable; ← new for old; → old for new

REF.No	Part No.	Description	Q'ty	S.No.	I/C	REMARKS	Weight (kgf)	Weight (lb)
010	76505-99060	ASSY CASE BEVEL GEAR	1	<=14973			0	0
010	76505-99062	ASSY CASE BEVEL GEAR	1	>=14974	←		7.34	16.148
020	70712-33113	CASE BEVEL GEAR	1				3.16	6.952
030	01173-51014	BOLT	2				0.015	0.033
040	04717-01000	WASHER WITH RUBBER	2				0.001	0.0022
050	76505-33130	STAY BEVEL CASE LH	1				0.38	0.836
060	76505-33150	STAY BEVEL CASE RH	1	<=12421			0	0
060	76505-33152	STAY BEVEL CASE RH	1	>=12422	←		0.4	0.88
070	01133-61222	BOLT	4				0.035	0.077
080	01133-51228	BOLT	4				0.04	0.088
090	70712-33310	SHAFT PINION	1				0.4	0.88
100	76505-33320	KIT GEAR BEVEL	1			21-16T	0.26	0.572
110	70720-33350	SHIM	1			0.2MM	0.001	0.0022
110	70720-33360	SHIM	1			0.3MM	0.001	0.0022
120	08101-06205	BEARING BALL	2				0.14	0.308
130	04611-00520	CIR CLIP INTERNAL	1				0.009	0.0198
140	76535-33440	SEAL OIL	1				0.02	0.044
150	76505-33510	SHAFT BEVEL GEAR	1	<=14973			0	0
150	76505-33512	SHAFT BEVEL GEAR	1	>=14974	←		0.68	1.496
160	70712-33550	BEARING BALL	1				0.22	0.484
170	04612-00220	CIRCLIP EXTERNAL	1	<=14973			0.001	0.0022
180	08101-06205	BEARING BALL	1				0.14	0.308
190	04611-00520	CIR CLIP INTERNAL	2				0.009	0.0198
200	76535-33440	SEAL OIL	1				0.02	0.044
210	76539-33410	SHIM	1			0.2MM	0.001	0.0022
210	76539-33590	SHIM	1			0.3MM	0.005	0.011
220	04811-10800	RING	1				0.001	0.0022
230	76505-33610	COVER BEVEL CASE	1				0.18	0.396
240	01123-60814	BOLT	4				0.008	0.0176
250	76505-33520	PULLEY CENTER	1				1.3	2.86
260	04612-00250	CIRCLIP EXTERNAL	1				0.002	0.0044
270	05712-00728	KEY FEATHER	1				0.01	0.022
280	76505-99050	ASSY PULLEY CENTER	1	<=14973			0	0
280	76505-99052	ASSY PULLEY CENTER	1	>=14974	←		7	15.4

PULLEY HOLDER/BLADE



76505-037-10

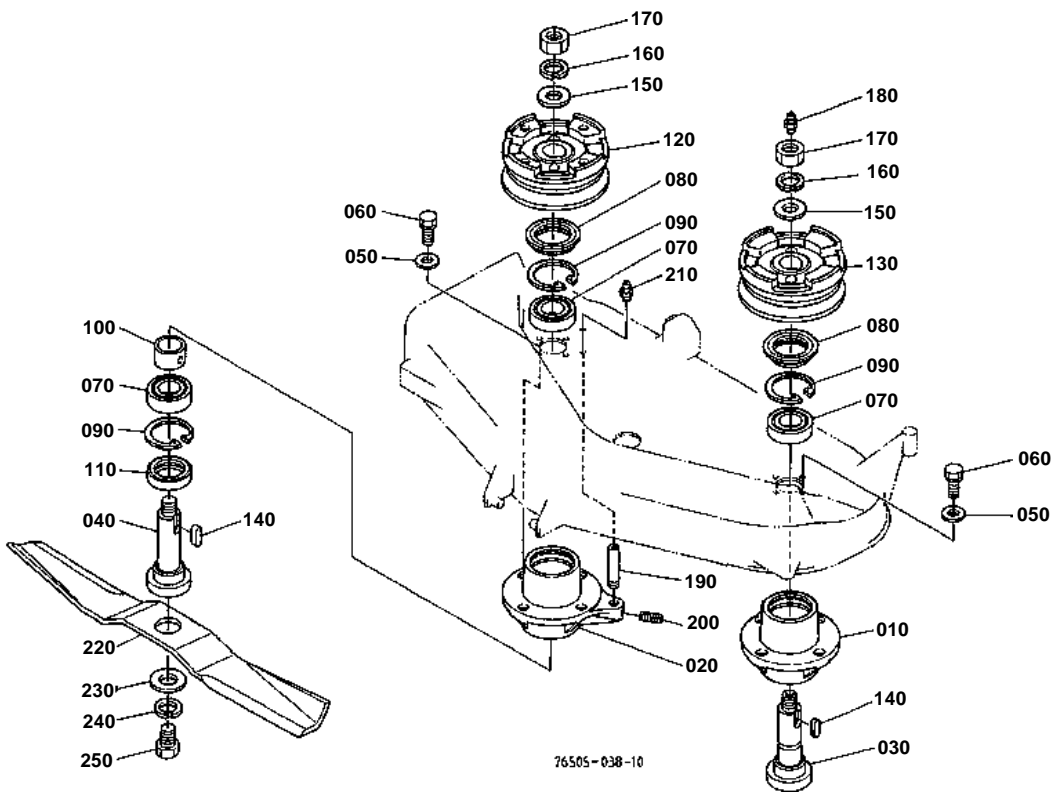


PULLEY HOLDER/BLADE

↔ Interchangeable; ≠ not interchangeable; ← new for old; → old for new

REF.No	Part No.	Description	Q'ty	S.No.	I/C	REMARKS	Weight (kgf)	Weight (lb)
010	76505-34110	HOLDER PULLEY	1				1.8	3.96
020	01133-51225	BOLT	4				0.038	0.0836
030	08101-06205	BEARING BALL	1				0.14	0.308
040	04611-00520	CIR CLIP INTERNAL	2				0.009	0.0198
050	70722-34120	SEAL OIL	1				0.025	0.055
060	09500-35528	SEAL OIL	1	≤14087			0.017	0.0374
060	70725-34162	SEAL OIL	1	≥14088	←		0.024	0.0528
070	03410-50606	SCREW SET	1				0.001	0.0022
080	76539-34132	PIPE EXTENSION	1				0.01	0.022
090	67111-44250	NIPPLE GREASE	1				0.005	0.011
100	66616-34390	SHIM ADJUSTING	1				0.001	0.0022
110	76505-34150	BOSS BLADE	1				0.2	0.44
120	04612-00220	CIRCLIP EXTERNAL	1				0.001	0.0022
130	76505-34330	BLADE	1				0.94	2.068
140	70722-34350	RETAINER BLADE	2				0.055	0.121
150	70722-34374	BOLT LOCKING BLADE	1				0.1	0.22
160	70722-34390	WASHER LOCK	1				0.009	0.0198

SIDE PULLEY/BLADE



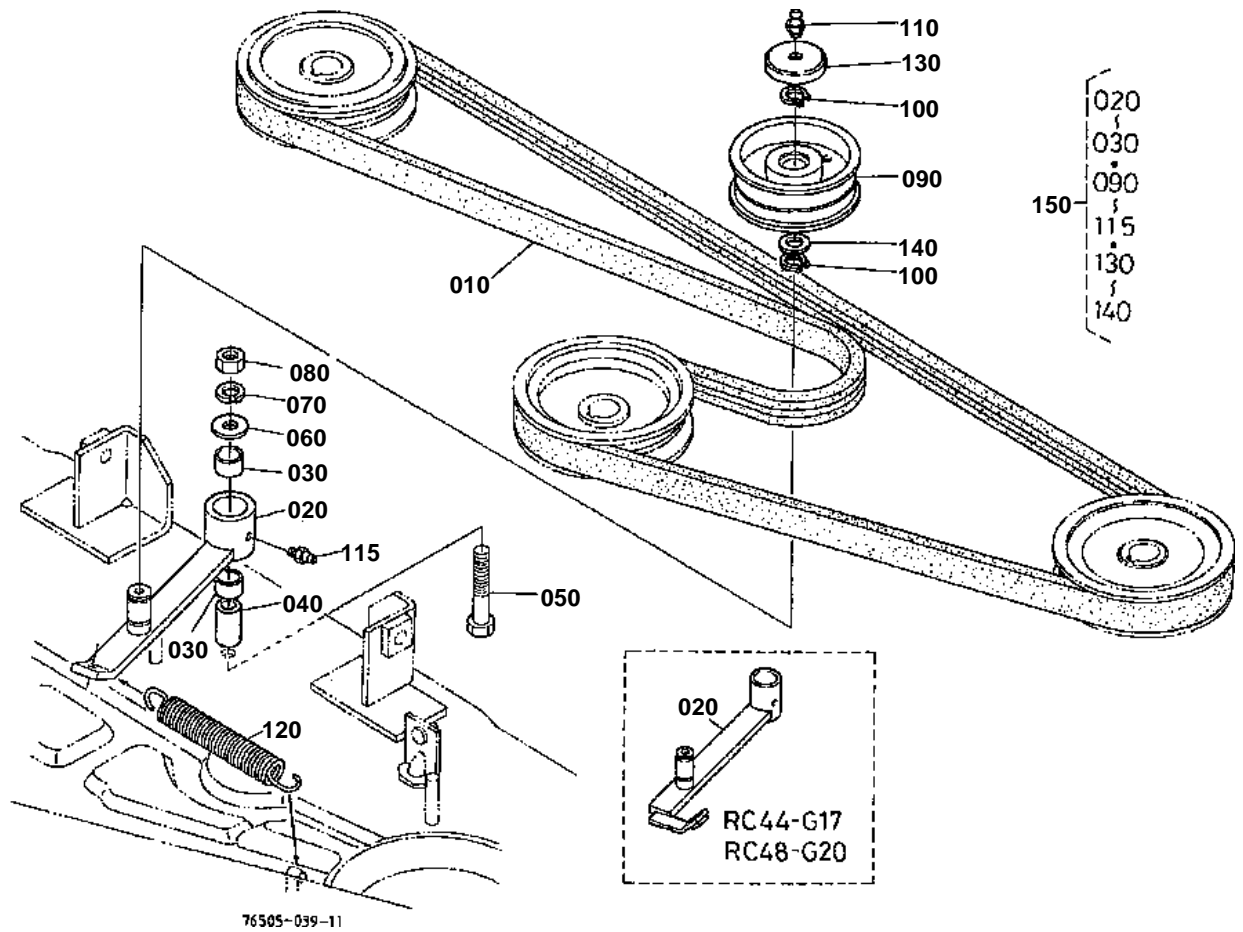


SIDE PULLEY/BLADE

↔ Interchangeable; ≠ not interchangeable; ← new for old; → old for new

REF.No	Part No.	Description	Q'ty	S.No.	I/C	REMARKS	Weight (kgf)	Weight (lb)
010	76505-34510	HOLDER PULLEY LH	1				1.5	3.3
020	76505-34520	HOLDER PULLEY RH	1				1.6	3.52
030	76505-34530	SHAFT BLADE LH	1				0.54	1.188
040	76505-34560	SHAFT BLADE RH	1				0.6	1.32
060	01133-51225	BOLT	8				0.038	0.0836
070	08101-06205	BEARING BALL	4				0.14	0.308
080	70722-34120	SEAL OIL	2				0.025	0.055
090	04611-00520	CIR CLIP INTERNAL	4				0.009	0.0198
100	76505-34550	PIECE DISTANCE	2				0.04	0.088
110	09500-35528	SEAL OIL	2	<=14087			0.017	0.0374
110	70725-34162	SEAL OIL	2	>=14088	←		0.024	0.0528
120	76505-33570	PULLEY SIDE RH	1				1.4	3.08
130	76505-33580	PULLEY SIDE LH	1				1.42	3.124
140	05712-00722	KEY FEATHER	2				0.009	0.0198
150	70721-34560	WASHER PLAIN	2				0.01	0.022
160	70725-33600	WASHER SPRING	2				0.015	0.033
170	70725-33560	NUT	2				0.012	0.0264
180	06613-10675	NIPPLE GREASE	1				0.003	0.0066
190	76539-34132	PIPE EXTENSION	1				0.01	0.022
200	03410-50606	SCREW SET	1				0.001	0.0022
210	06613-10675	NIPPLE GREASE	1				0.003	0.0066
220	76505-34330	BLADE	2				0.94	2.068
230	70713-34350	WASHER PLAIN	2				0.088	0.1936
240	04512-60180	WASHER SPRING	2				0.02	0.044
250	70713-34363	BOLT	2	<=12221			0	0
250	70713-34364	BOLT	2	>=12222	←		0.105	0.231

TENSION PULLEY



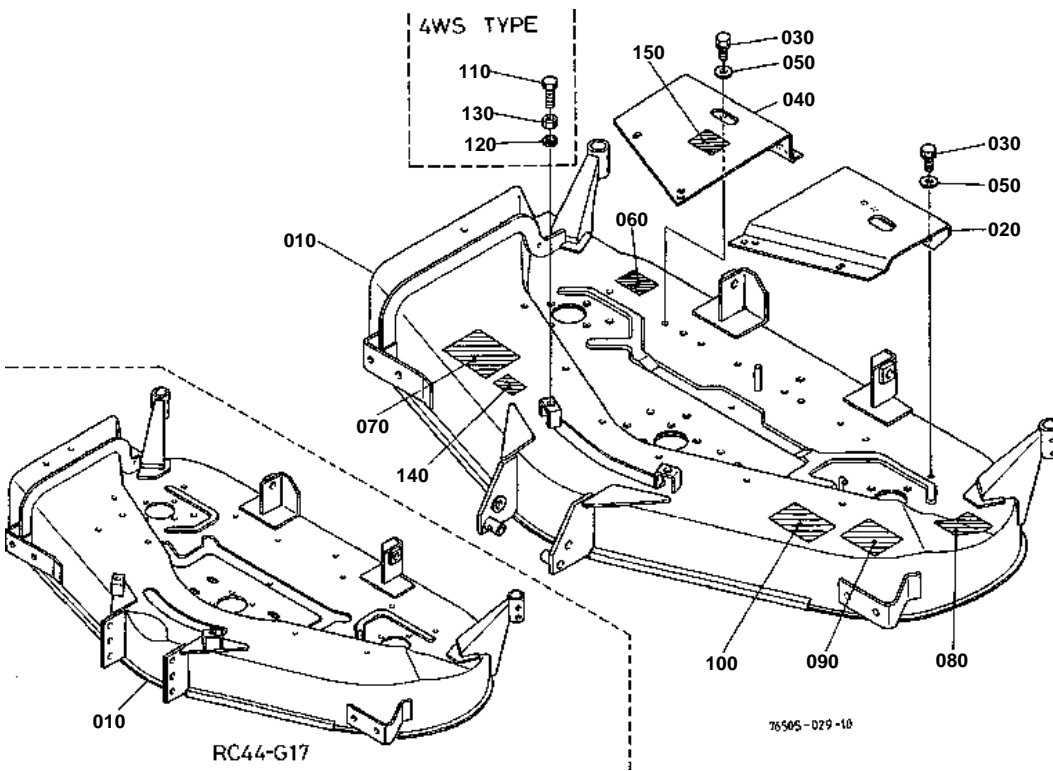


TENSION PULLEY

↔ Interchangeable; ≠ not interchangeable; ← new for old; → old for new

REF.No	Part No.	Description	Q'ty	S.No.	I/C	REMARKS	Weight (kgf)	Weight (lb)
010	76505-34710	BELT MULTI	1			94IN	0.8	1.76
020	76505-34730	ARM TENSION	1	≤13405			0.56	1.232
020	76505-34734	ARM TENSION	1	≥13406	≠		0.57	1.254
030	08511-02020	BUSH	2				0.01	0.022
040	76539-34780	COLLAR TENSION	1				0.06	0.132
050	01173-51270	BOLT	1				0.067	0.1474
060	04015-60120	WASHER PLAIN	1				0.022	0.0484
070	04512-60120	WASHER SPRING	1				0.005	0.011
080	02172-50120	NUT	1				0.01	0.022
090	76539-34880	ASSY PULLEY TENSION	1	≤13405			0	0
090	76539-34883	ASSY PULLEY TENSION	1	≥13406	←		0.42	0.924
100	04612-00170	CIRCLIP EXTERNAL	2				0.001	0.0022
110	06613-10675	NIPPLE GREASE	2	≤13405			0.003	0.0066
110	76539-12100	NIPPLE GREASE	1	≥13406	≠		0.005	0.011
115	76543-12100	NIPPLE GREASE	1	≥13406			0.003	0.0066
120	76539-34750	SPRING TENSION	1				0.18	0.396
130	76539-34790	COVER TENSION	1	≥13406			0.03	0.066
140	76539-34800	SEAL BEARING	1	≥13406			0.001	0.0022
150	76505-99410	KIT PULLEY TENSION	1				1.2	2.64

MOWER DECK



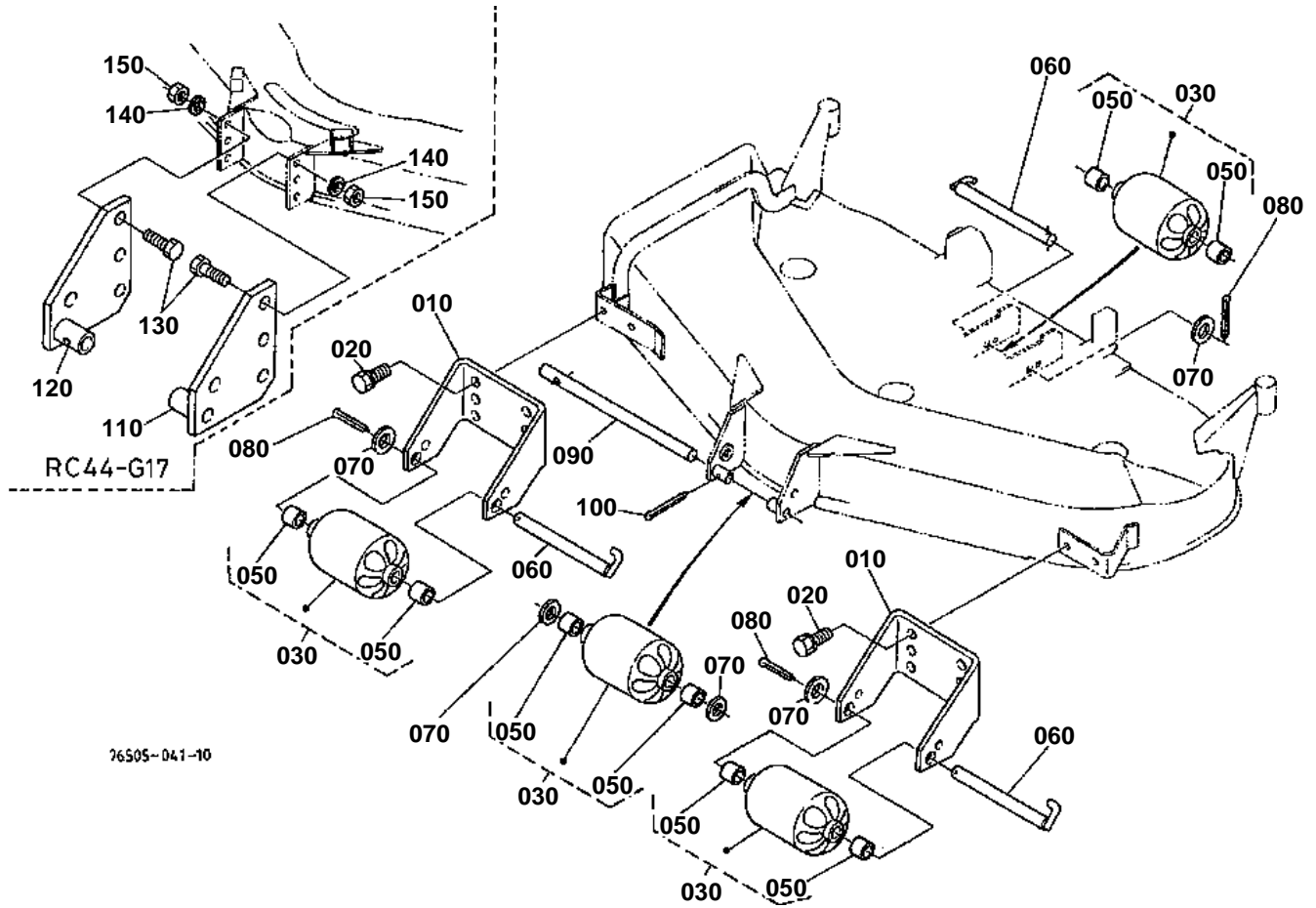


MOWER DECK

↔ Interchangeable; ≠ not interchangeable; ← new for old; → old for new

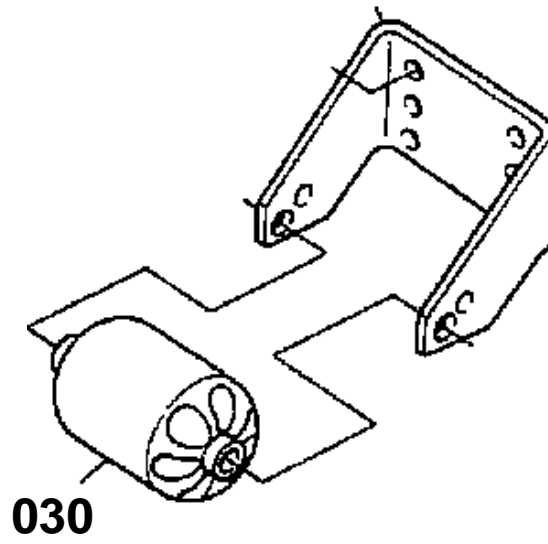
REF.No	Part No.	Description	Q'ty	S.No.	I/C	REMARKS	Weight (kgf)	Weight (lb)
010	76505-41160	DECK MOWER	1	<=10634			0	0
010	76505-41165	DECK MOWER	1	>=10635	←		50	110
020	76505-41180	COVER LH	1				0.8	1.76
030	01123-60816	BOLT	8				0.01	0.022
040	76505-41200	COVER RH	1				0.8	1.76
050	04013-50080	WASHER PLAIN	8				0	0
070	66071-61780	LABEL CAUTION	1				0.005	0.011
080	66071-61790	LABEL CAUTION	1				0.002	0.0044
090	70712-47160	LABEL CUTTING HEIGHT	1				0.002	0.0044
100	70713-34570	LABEL BLADE	1				0.002	0.0044
140	76547-71202	NAME PLATE	1	>=10648			0	0
150	76539-34830	LABEL GREASE UP	1	>=13406			0.002	0.0044

FRONT WHEEL



26505-041-10

030 70713-4617-2



76505-812-10

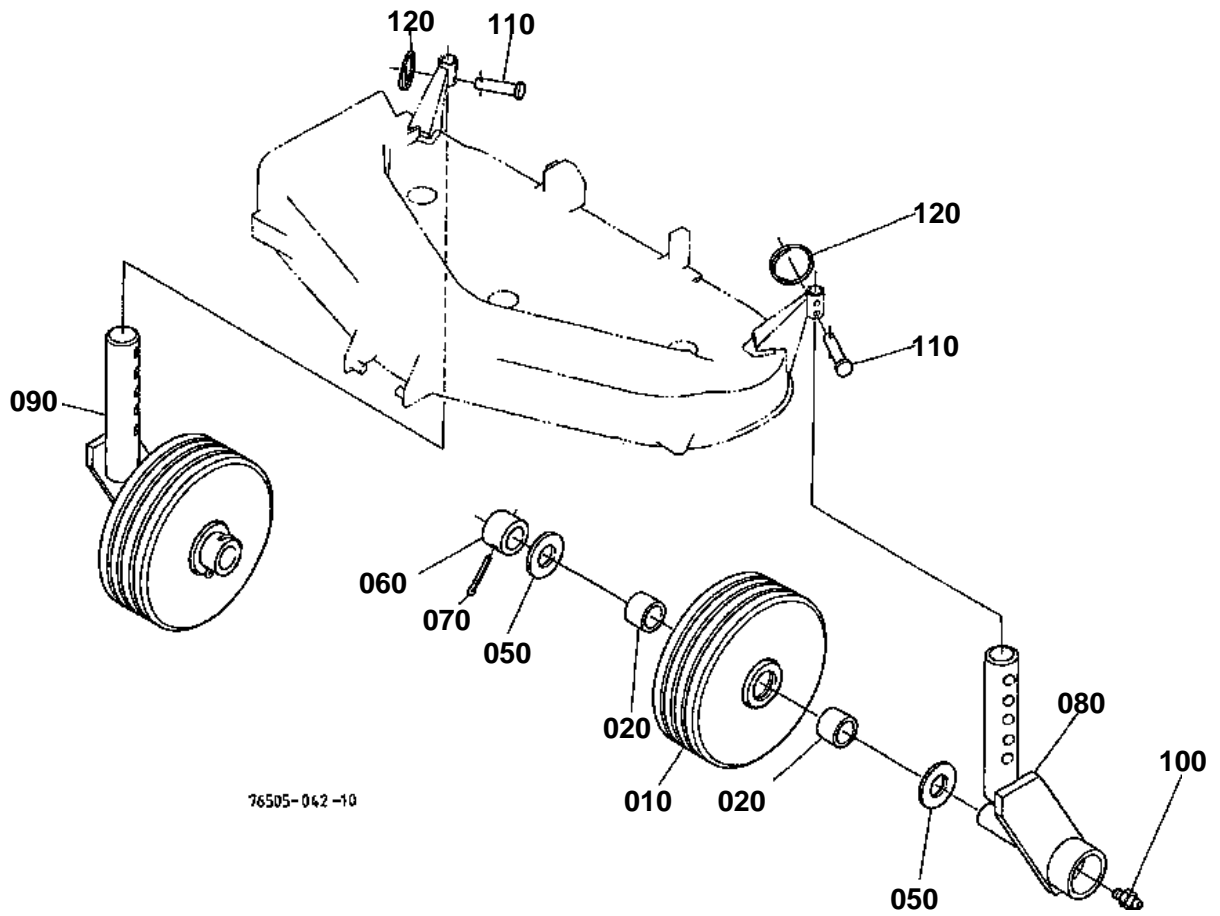


FRONT WHEEL

↔ Interchangeable; ≠ not interchangeable; ← new for old; → old for new

REF.No	Part No.	Description	Q'ty	S.No.	I/C	REMARKS	Weight (kgf)	Weight (lb)
010	76538-46110	STAY ROLLER	2				0.64	1.408
020	01133-51022	BOLT	4				0.025	0.055
030	70713-46172	ROLLER ANTI-SCALP	4	≤10895			0	0
030	76505-46250	ASSY ROLLER	4	≥10896	≠		0.182	0.4004
050	08511-01220	BUSH	8	≥10896			0.004	0.0088
060	70720-46183	PIN GAUGE WHEEL	3				0.125	0.275
070	04011-50120	WASHER PLAIN	5	≤11015			0.005	0.011
070	04011-50120	WASHER PLAIN	7	≥11016			0.005	0.011
080	05511-50425	PIN SPLIT	3				0.003	0.0066
090	76505-46180	PIN GAUGE WHEEL	1	≤10927			0	0
090	76505-46182	PIN GAUGE WHEEL	1	≥10928	≠		0.22	0.484
100	05511-50525	PIN SPLIT	1	≤10927			0.005	0.011
100	05511-50530	PIN SPLIT	1	≥10928	≠		0.006	0.0132

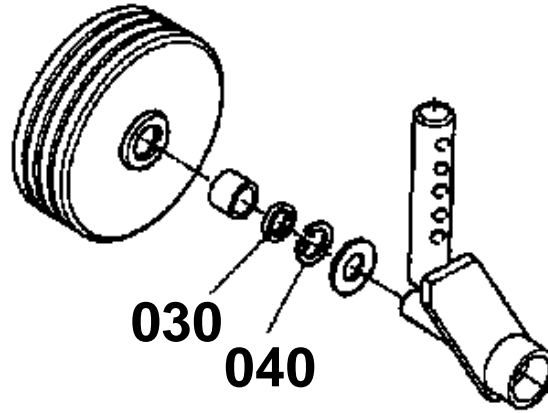
REAR WHEEL



REAR WHEEL

030 09220-20284

040 04611-00280



78505-807-10

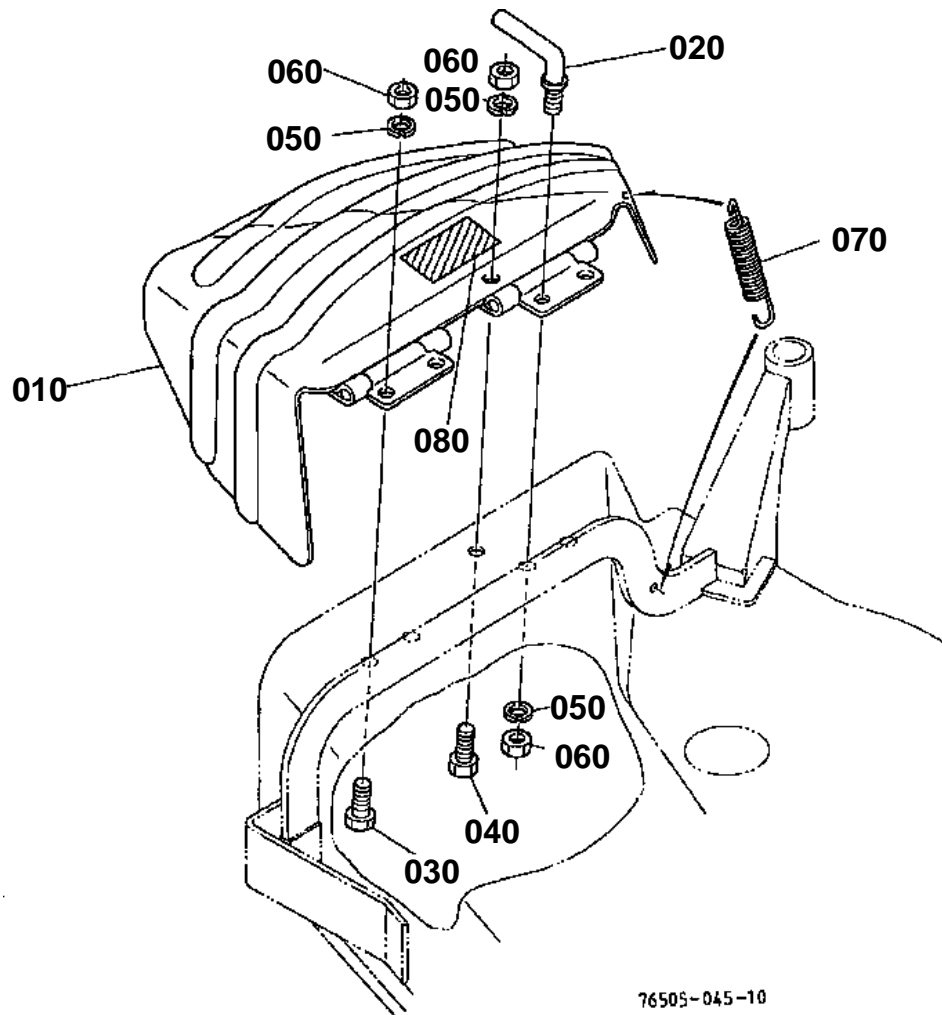


REAR WHEEL

↔ Interchangeable; ≠ not interchangeable; ← new for old; → old for new

REF.No	Part No.	Description	Q'ty	S.No.	I/C	REMARKS	Weight (kgf)	Weight (lb)
010	70712-42110	REAR WHEEL	2				1.2	2.64
020	70712-44190	BUSH	4				0.03	0.066
030	09220-20284	SEAL OIL	4	<=11572			0.004	0.0088
040	04611-00280	CIR CLIP INTERNAL	4	<=11572			0.002	0.0044
050	04013-50200	WASHER PLAIN	4				0.02	0.044
060	70712-42140	COLLAR	2				0.068	0.1496
070	05511-50545	PIN SPLIT	2				0.01	0.022
080	70712-42150	SHAFT LH	1				1.07	2.354
090	70712-42170	SHAFT RH	1				1.07	2.354
100	06613-10010	NIPPLE GREASE	2				0.006	0.0132
110	05122-50845	PIN JOINT	2				0.018	0.0396
120	70712-42190	RING SNAP	2				0.002	0.0044

DISCHARGE COVER



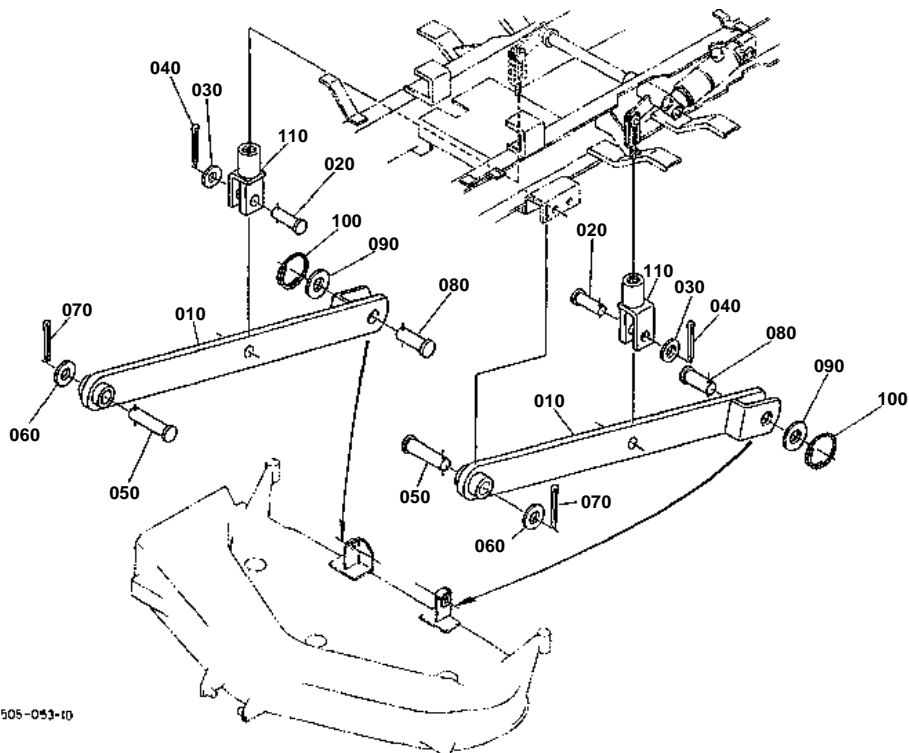


DISCHARGE COVER

↔ Interchangeable; ≠ not interchangeable; ← new for old; → old for new

REF.No	Part No.	Description	Q'ty	S.No.	I/C	REMARKS	Weight (kgf)	Weight (lb)
010	76500-27110	COVER CHUTE	1				3.7	8.14
020	70721-47130	STOPPER CHUTE	1				0.05	0.11
030	01173-51020	BOLT	3				0.017	0.0374
040	01173-51028	BOLT	1				0.022	0.0484
050	04512-60100	WASHER SPRING	5				0.002	0.0044
060	02118-50100	NUT	5				0.005	0.011
070	70722-47120	SPRING	1				0.06	0.132

REAR LINKAGE [2WS]



76905-053-10

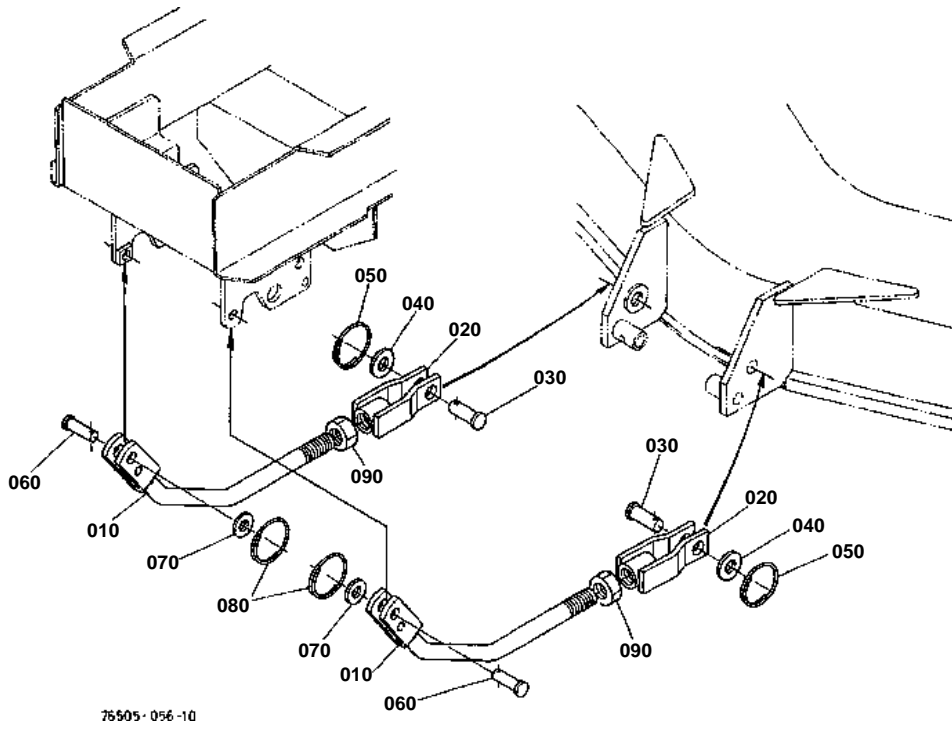


REAR LINKAGE [2WS]

↔ Interchangeable; ≠ not interchangeable; ← new for old; → old for new

REF.No	Part No.	Description	Q'ty	S.No.	I/C	REMARKS	Weight (kgf)	Weight (lb)
010	76505-51220	LINK REAR	2				1.48	3.256
020	05122-51235	PIN JOINT	2				0.034	0.0748
030	04011-50120	WASHER PLAIN	2				0.005	0.011
040	05511-50425	PIN SPLIT	2				0.003	0.0066
050	05122-51455	PIN JOINT	2				0.068	0.1496
060	04011-50140	WASHER PLAIN	2				0.007	0.0154
070	05511-50430	PIN SPLIT	2				0.004	0.0088
080	05122-51445	PIN JOINT	2				0.058	0.1276
090	04011-50140	WASHER PLAIN	2				0.007	0.0154
100	70712-51140	RING SNAP	2				0.009	0.0198
110	76505-51190	ROD LIFT	2				0.16	0.352

FRONT LINKAGE





FRONT LINKAGE

↔ Interchangeable; ≠ not interchangeable; ← new for old; → old for new

REF.No	Part No.	Description	Q'ty	S.No.	I/C	REMARKS	Weight (kgf)	Weight (lb)
010	76505-51240	LINK FRONT	2			2WS	0.2	0.44
020	76505-51280	LINK FRONT	2				0.3	0.66
030	05122-51435	PIN JOINT	2				0.05	0.11
040	04011-50140	WASHER PLAIN	2				0.007	0.0154
050	70712-51140	RING SNAP	2				0.009	0.0198
060	05122-51235	PIN JOINT	2				0.034	0.0748
070	04011-50120	WASHER PLAIN	2				0.005	0.011
080	70712-51140	RING SNAP	2				0.009	0.0198
090	02172-50180	NUT	2				0.021	0.0462



ACCESSORIES AND SERVICE PARTS

↔ Interchangeable; ≠ not interchangeable; ← new for old; → old for new

REF.No	Part No.	Description	Q'ty	S.No.	I/C	REMARKS	Weight (kgf)	Weight (lb)
010	76505-45110	MANUAL INSTRUCTION	1			[CA] REF.No.015 016	0	0
010	76505-75110	MANUAL INSTRUCTION	1			[AU] REF.No.015 017	0	0
015	76505-71116	MANUAL INSTRUCTION	1				0.07	0.154
020	76505-99010	KIT BLADE	1			REF.No.030	2.85	6.27
030	76505-34330	BLADE	3				0.94	2.068