

Instructions for Parts Books

The heading at the top of the page will be the same for the picture of the parts at it is for the page with the part numbers.

Definition of column headings on part number pages:

REF.No → The number referring to the part on the picture page of the parts book.

Part No. → The number assigned to this part at the time of printing the parts book.

Description → Discription of part.

Q'ty → Quantity of part used on that page.

S.No. → Serial number range of the equipment that this part will fit.

>= Your serial number should be greater than or equal to the number shown.

<= Your serial number should be lesser than or equal to the serial number shown.

I/C → Interchangeability of part shown.

↔ The part shown will work for the older and later serial number.

The part shown is not interchangeable with the other serial number.

← new for old

→ old for new

Remarks → Notes about this particulart part. Sometimes this may say except [FR] or [CA]

Note about Country Codes:

The parts books we use in the United States of America may also contain information about a part that would be different in another country. It is important that you are aware of the country codes in some instances.

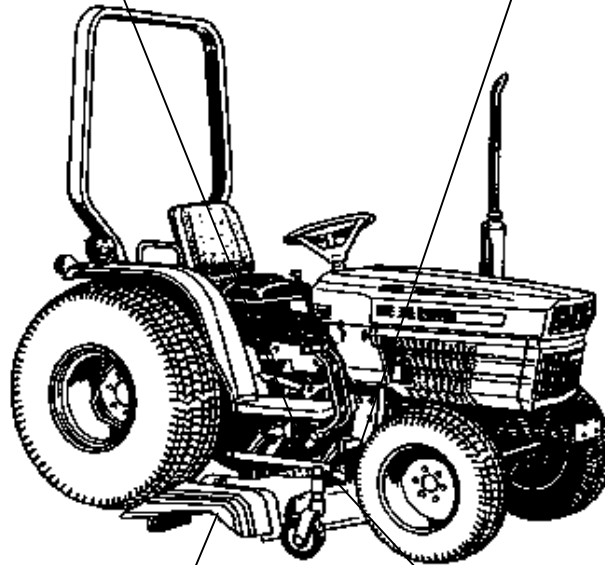
Symbol	Country
A	United States of America
CA	Canada
FR	France
GR	Greece
PO	Portugal
AU	Australia

If the remarks column says for example EXCEPT [FR] this part works in all countries except France. That means it will work here in the USA.

ALL PRODUCT INDEX
RC60-82H

UNIVERSAL JOINT

GEAR BOX/PULLEY/BLADE



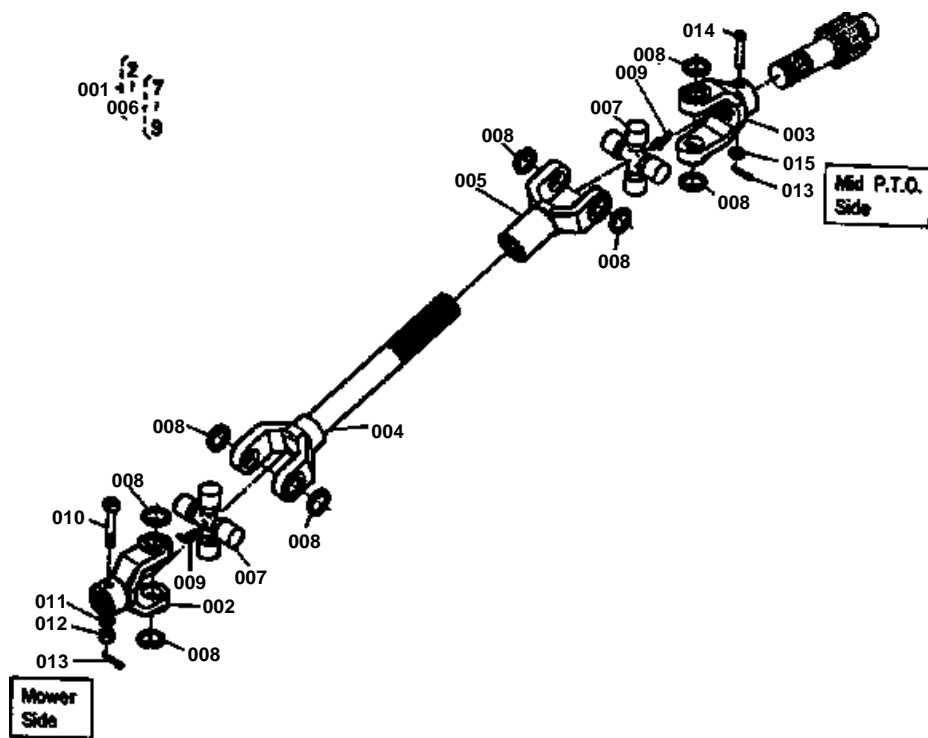
MOWER DECK/WHEEL

LINKAGE/LIFT ARM

ACCESSORIES

Item	Part No.	Description	Book
UNIVERSAL JOINT	01I001	JOINT	100K0264
GEAR BOX/PULLEY/BLADE	01I002	GEAR BOX	100K0264
	01I003	SPINDLE AND BLADE	100K0264
MOWER DECK/WHEEL	01I004	DECK AND FRONT WHEEL	100K0264
	01I005	REAR WHEEL	100K0264
LINKAGE/LIFT ARM	01I006	MAIN STAY	100K0264

JOINT



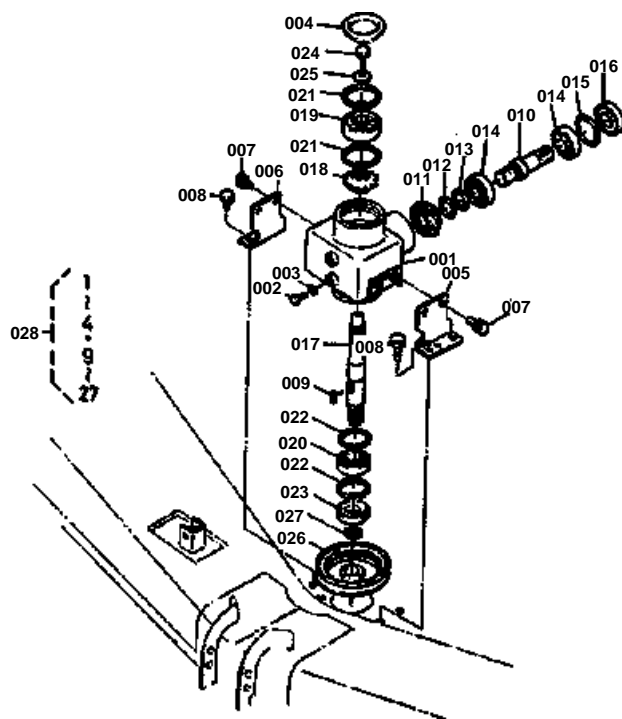


JOINT

↔ Interchangeable; ≠ not interchangeable; ← new for old; → old for new

REF.No	Part No.	Description	Q'ty	S.No.	I/C	REMARKS	Weight (kgf)	Weight (lb)
001	70732-32010	ASSY JOINT,UNIVERSAL	1			REF.No.002 TO 006	0	0
002	70722-31130	JOINT 3	1				0	0
003	70722-31140	JOINT 4	1				0	0
004	70732-31140	YOKE,SHAFT	1				1.3	2.86
005	70720-31175	JOINT 2	1				0.586	1.2892
006	70720-32110	ASSY JOINT,CROSS	2			REF.No.007 TO 009	0.2	0.44
007	70720-31182	JOINT,CROSS	2				0.21	0.462
008	70720-32120	RING,SNAP	8				0.001	0.0022
009	70720-31212	NIPPLE,GREASE	2				0.006	0.0132
010	70720-31200	BOLT,FIXED	1				0	0
011	04512-50080	WASHER,SPRING	1				0	0
012	02356-50080	NUT	1				0.004	0.0088
013	05511-50218	PIN,SPLIT	2				0.001	0.0022
014	05122-50845	PIN,JOINT	1				0.018	0.0396
015	04012-50080	WASHER,PLAIN	1				0.001	0.0022

GEAR BOX

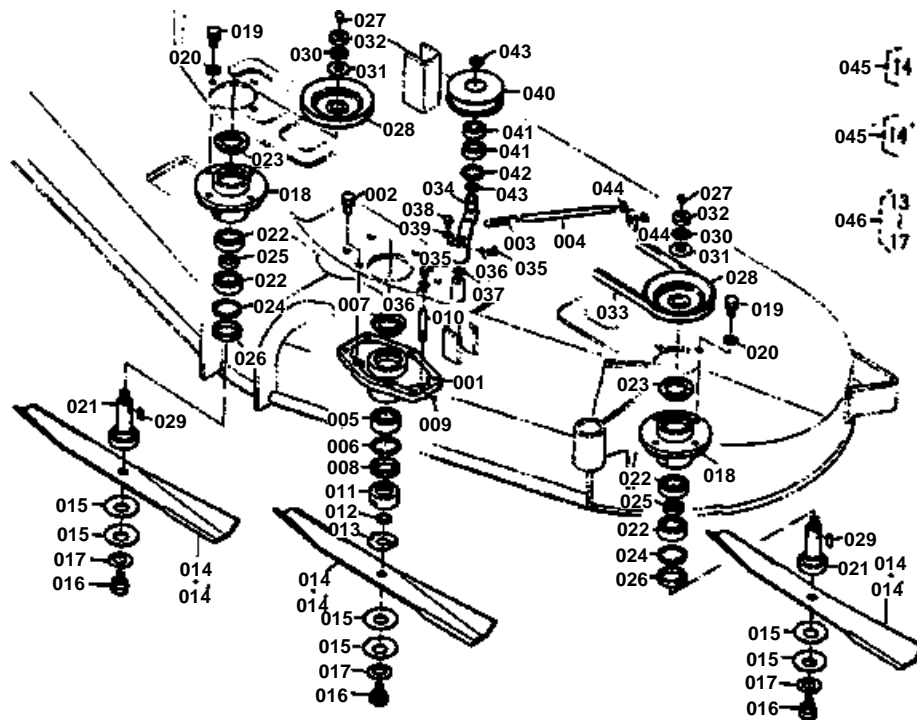


**GEAR BOX**

↔ Interchangeable; ≠ not interchangeable; ← new for old; → old for new

REF.No	Part No.	Description	Q'ty	S.No.	I/C	REMARKS	Weight (kgf)	Weight (lb)
001	70723-33110	CASE,BEVEL	1				0	0
002	01173-51016	BOLT	2				0.012	0.0264
003	04717-01000	WASHER,SEAL	2				0.001	0.0022
004	79163-32130	PLUG,BLIND	1				0.05	0.11
005	70722-33130	STAY,BEVEL CASE LH	1				0	0
006	70722-33150	STAY,BEVEL CASE RH	1				0	0
007	01133-51222	BOLT	4				0	0
008	01133-51230	BOLT	4				0.04	0.088
009	05712-00728	KEY,FEATHER	1				0.01	0.022
010	70722-33310	SHAFT,PINION	1				0.46	1.012
011	70723-33330	GEAR,BEVEL 19	1				0.25	0.55
012	70720-33350	SHIM 1	1				0.001	0.0022
013	70720-33360	SHIM 2	1				0.001	0.0022
014	08101-06205	BEARING,BALL	2				0.14	0.308
015	04611-00520	CIR-CLIP,INTERNAL	1				0.009	0.0198
016	09502-55210	SEAL,OIL	1				0.025	0.055
017	70723-33510	SHAFT,BEVEL GEAR	1				0.67	1.474
018	70723-33530	GEAR,BEVEL 16	1				0	0
019	08101-06403	BEARING,BALL	1				0.27	0.594
020	08101-06205	BEARING,BALL	1				0.14	0.308
021	04611-00620	CIR-CLIP,INTERNAL	2				0.011	0.0242
022	04611-00520	CIR-CLIP,INTERNAL	2				0.009	0.0198
023	09502-55210	SEAL,OIL	1				0.025	0.055
024	01123-50818	BOLT	1				0.012	0.0264
025	04015-50080	WASHER,PLAIN	1				0	0
026	70732-33550	PULLEY 1	1				0	0
027	04612-00250	CIR-CLIP,EXTERNAL	1				0.002	0.0044
028	76530-99510	ASSY,CASE,BEVEL GEAR	1			REF.No.001 TO 004 AND 009 TO 027 SERVICE	6.2	13.64

SPINDLE AND BLADE

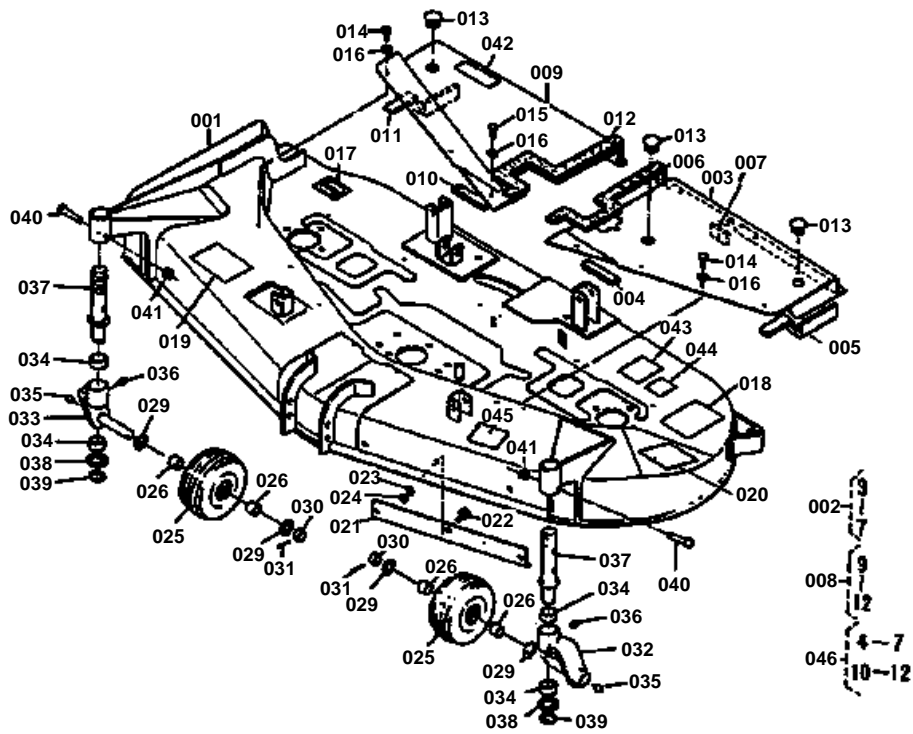


**SPINDLE AND BLADE**

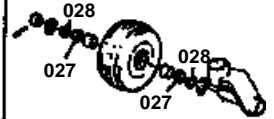
↔ Interchangeable; ≠ not interchangeable; ← new for old; → old for new

REF.No	Part No.	Description	Q'ty	S.No.	I/C	REMARKS	Weight (kgf)	Weight (lb)
001	70722-34110	HOLDER,PULLEY 1	1				2.6	5.72
002	01133-51225	BOLT	3				0.038	0.0836
003	70722-34750	SPRING,TENSION	1				0.15	0.33
004	70722-34770	BOLT	1				0	0
005	08241-05205	BEARING,BALL	1				0.177	0.3894
006	04611-00520	CIR-CLIP,INTERNAL	1				0.009	0.0198
007	70722-34120	SEAL,OIL	1				0.025	0.055
008	70725-34160	SEAL,OIL	1				0	0
009	03410-50606	SCREW,SET	1				0.001	0.0022
010	70722-34130	PIPE,EXTENSION	1				0	0
011	70722-34150	BOSS,BLADE	1				0.352	0.7744
012	04612-00220	CIR-CLIP,EXTERNAL	1				0.001	0.0022
013	70722-34320	PLATE	1				0.02	0.044
014	70722-34330	BLADE	3				0.99	2.178
014	70722-99020	BLADE,LOW SUCTION	3			SERVICE PARTS	0.95	2.09
015	70722-34350	RETAINER BLADE	6				0.055	0.121
016	70722-34370	BOLT	3				0	0
017	70722-34390	WASHER	3				0.009	0.0198
018	70722-34510	HOLDER,PULLEY 2	2				1.91	4.202
019	01133-51230	BOLT	8				0.04	0.088
020	04013-50120	WASHER,PLAIN	8				0	0
021	70722-34530	SHAFT,BLADE	2				0.52	1.144
022	08111-06205	BEARING,BALL	4				0.13	0.286
023	70722-34120	SEAL,OIL	2				0.025	0.055
024	04611-00520	CIR-CLIP,INTERNAL	2				0.009	0.0198
025	70721-34550	COLLAR 2	2				0.029	0.0638
026	70725-34160	SEAL,OIL	2				0	0
027	06613-10675	NIPPLE,GREASE	2				0.003	0.0066
028	70725-33570	PULLEY	2				0	0
029	05712-00722	KEY,FEATHER	2				0.009	0.0198
030	04512-50160	WASHER,SPRING	2				0	0
031	70721-34560	WASHER,PLAIN	2				0.01	0.022
032	02172-50160	NUT	2				0.017	0.0374
033	70722-34710	BELT 110	1				0.47	1.034
034	70722-34730	ARM,TENSION	1				0.39	0.858
035	66616-34360	NIPPLE,GREASE	2				0	0
036	66616-34390	SHIM,ADJUSTING	2				0.001	0.0022
037	04811-06170	O RING	1				0.001	0.0022
038	01123-50814	BOLT	1				0	0
039	04015-50080	WASHER,PLAIN	1				0	0
040	70720-69212	PULLEY,TENSION 2	1				0.97	2.134
041	08141-06203	BEARING,BALL	2				0.064	0.1408
042	04611-00400	CIR-CLIP,INTERNAL	1				0.005	0.011
043	04612-00170	CIR-CLIP,EXTERNAL	2				0.001	0.0022
044	02118-50100	NUT	2				0.005	0.011
045	70722-99010	KIT BLADE	1			REF.No.014	0	0
045	70722-99030	KIT BLADE,L/SUCTION	1			REF.No.014' SERVICE PARTS	0	0
046	70722-99650	KIT,BLADE	1			REF.No.013 TO 017 SERVICE PARTS	3.5	7.7

DECK AND FRONT WHEEL



27 03220-20284
28 04611-00280



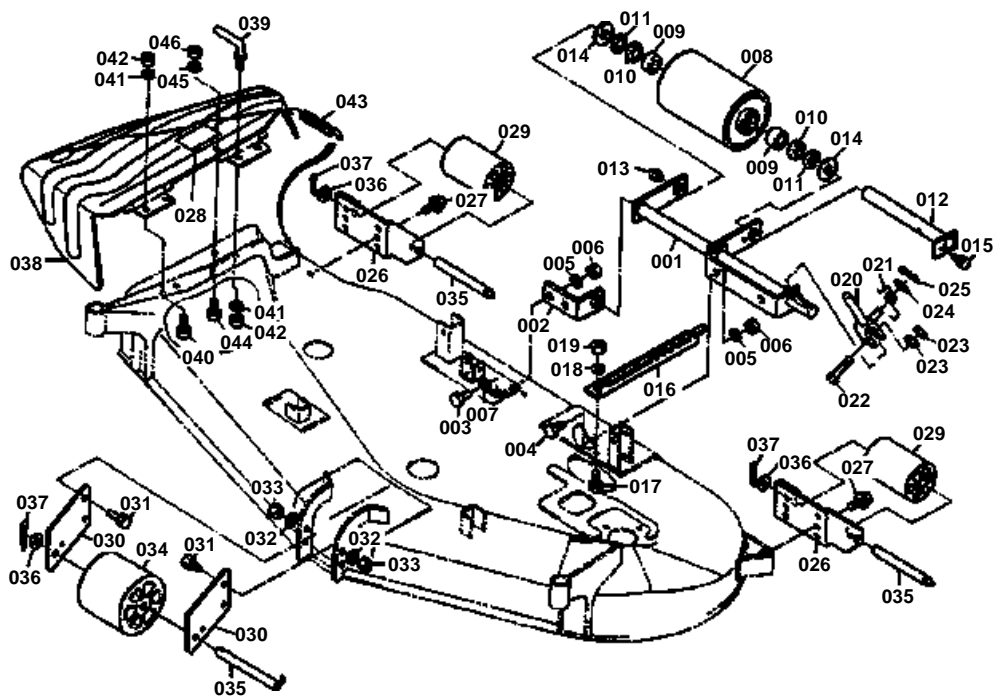


DECK AND FRONT WHEEL

↔ Interchangeable; ≠ not interchangeable; ← new for old; → old for new

REF.No	Part No.	Description	Q'ty	S.No.	I/C	REMARKS	Weight (kgf)	Weight (lb)
001	70722-41163	DECK,MOWER	1	<=13800			0	0
001	70722-21160	DECK,MOWER	1	>=13801	≠		56	123.2
002	70732-41130	ASSY COVER,LH	1	<=13800		REF.No.003 TO 007	2	4.4
002	70732-21130	ASSY COVER,LH	1	>=13801	≠	REF.No.003 TO 007	0	0
003	99999-99999	BLANK	0			ORDER BY REF.No.002	0	0
004	70722-41210	SEAL,DUST 1	1				0.001	0.0022
005	70722-41220	SEAL,DUST 2	1				0.001	0.0022
006	70723-41240	SEAL,DUST 4	1				0.01	0.022
007	70722-41260	SEAL,DUST 6	1				0.02	0.044
008	70732-41150	ASSY COVER,RH	1	<=13800		REF.No.009 TO 012	2	4.4
008	70732-21150	ASSY COVER,RH	1	>=13801	≠	REF.No.009 TO 012	0	0
009	99999-99999	BLANK	0			ORDER BY REF.No.008	0	0
010	70722-41210	SEAL,DUST 1	1				0.001	0.0022
011	70722-41220	SEAL,DUST 2	1				0.001	0.0022
012	70723-41280	SEAL,DUST 8	1				0.005	0.011
013	66204-51160	CAP,BLIND	3				0.007	0.0154
014	01123-50814	BOLT	11				0	0
015	01123-50820	BOLT	4				0.011	0.0242
016	04013-50080	WASHER,PLAIN	15				0	0
017	70732-41170	LABEL,MODEL	1				0	0
018	70720-47153	LABEL,ATTENTION 1	1				0	0
019	70720-41140	LABEL,ATTENTION 2	1				0	0
020	70721-41180	LABEL	1				0.003	0.0066
021	70722-41190	PLATE,FRONT	1				0	0
022	01133-51020	BOLT	3				0.02	0.044
023	04512-50100	WASHER,SPRING	3				0	0
024	02118-50100	NUT	3				0.005	0.011
025	70722-42110	FRONT,WHEEL	2				1.9	4.18
026	70722-44190	BUSH	4				0.041	0.0902
027	09220-20284	SEAL,OIL	4	<=13808			0.004	0.0088
028	04611-00280	CIR-CLIP,INTERNAL	4	<=13808			0.002	0.0044
029	04013-50200	WASHER,PLAIN	4				0.02	0.044
030	70722-42140	COLLAR	2				0.035	0.077
031	05511-50540	PIN,SPLIT	2				0.009	0.0198
032	70722-42150	STAY,FRONT WHEEL LH	1				0	0
033	70722-42170	STAY,FRONT WHEEL RH	1				0	0
034	70722-42190	BUSH	4				0.045	0.099
035	06613-10010	NIPPLE,GREASE	2				0.006	0.0132
036	06613-10675	NIPPLE,GREASE	2				0.003	0.0066
037	70722-43110	SHAFT,FRONT WHEEL	2				1.15	2.53
038	70722-43130	COLLAR,FRONT WHEEL	2				0.015	0.033
039	04612-00300	CIR-CLIP,EXTERNAL	2				0.003	0.0066
040	05122-51050	PIN,JOINT	2				0.032	0.0704
041	70712-42190	RING,SNAP	2				0.002	0.0044
042	36200-98160	MARK,FRONT	1				0.002	0.0044
043	70732-61240	LABEL,ROD	1				0.006	0.0132
044	70732-61260	LABEL,PTO	1				0.002	0.0044
045	70722-34570	LABEL,BLADE	1				0	0
046	70723-99000	KIT SEAL,DUST	1			REF.No.004 TO 007 AND 010 TO 012 SERVICE	0.04	0.088

REAR WHEEL

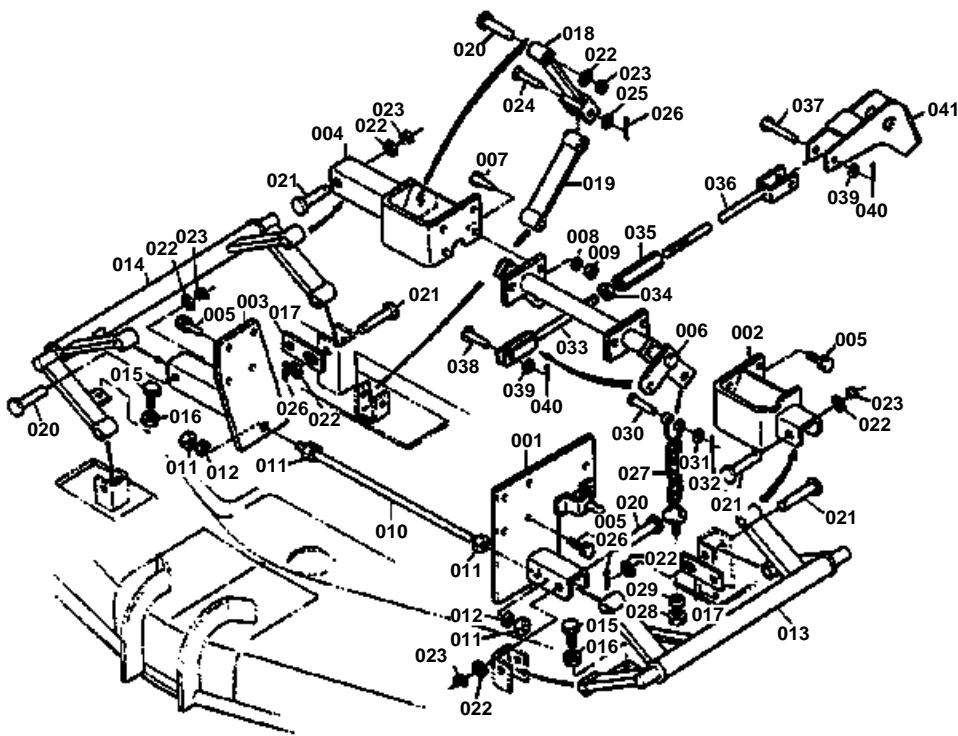




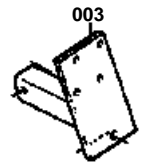
↔ Interchangeable; ≠ not interchangeable; ← new for old; → old for new

REF.No	Part No.	Description	Q'ty	S.No.	I/C	REMARKS	Weight (kgf)	Weight (lb)
001	70722-44110	ARM,REAR WHEEL	1				0	0
002	70722-44130	BRACKET,REAR WHEEL	1				0	0
003	01173-51025	BOLT	2				0.021	0.0462
004	01173-51028	BOLT	2				0.022	0.0484
005	04512-50100	WASHER,SPRING	4				0	0
006	02118-50100	NUT	4				0.005	0.011
007	04015-50100	WASHER,PLAIN	2				0.016	0.0352
008	70722-44150	REAR,WHEEL	1	≤13808			0	0
008	76543-46160	REAR,WHEEL	1	≥13809	↔		2.1	4.62
009	70722-44190	BUSH	2				0.041	0.0902
010	09220-20284	SEAL,OIL	2				0.004	0.0088
011	04611-00280	CIR-CLIP,INTERNAL	2				0.002	0.0044
012	70722-44170	SHAFT,REAR WHEEL	1				0	0
013	06613-10010	NIPPLE,GREASE	1				0.006	0.0132
014	04013-50200	WASHER,PLAIN	2				0.02	0.044
015	01123-50814	BOLT	1				0	0
016	70722-45110	GUIDE,REAR WHEEL	1				0	0
017	01173-51025	BOLT	2				0.021	0.0462
018	04512-50100	WASHER,SPRING	2				0	0
019	02118-50100	NUT	2				0.005	0.011
020	70722-45170	LEVER,REAR WHEEL	1				0.22	0.484
021	70721-45190	SPRING,LEVER	1				0.02	0.044
022	01153-50840	BOLT	1				0.018	0.0396
023	02114-50080	NUT	2				0.005	0.011
024	04013-50080	WASHER,PLAIN	1				0	0
025	05511-50218	PIN,SPLIT	1				0.001	0.0022
026	70722-46110	STAY,ROLLER	2				0	0
027	01133-51025	BOLT	4				0.023	0.0506
028	70720-47140	LABEL,ATTENTION 3	1				0	0
029	70721-46170	GAUGE,WHEEL	2				0	0
029	70713-46170	GAUGE,WHEEL	2	≥10001			0	0
030	70722-46130	STAY,FRONT WHEEL	2				0	0
031	01173-51028	BOLT	4				0.022	0.0484
032	04512-50100	WASHER,SPRING	4				0	0
033	02118-50100	NUT	4				0.005	0.011
034	70722-46150	ROLLER,FRONT	1				0	0
035	70720-46183	PIN,GAUGE WHEEL	3				0.125	0.275
036	04011-50120	WASHER,PLAIN	3				0.005	0.011
037	05511-50425	PIN,SPLIT	3				0.003	0.0066
038	70722-47110	COVER	1	≤13800			3.85	8.47
038	70722-27110	COVER	1	≥13801	≠		3.7	8.14
039	70721-47130	STOPPER,CHUTE	1				0.05	0.11
040	01173-51020	BOLT	3				0.017	0.0374
041	04512-50100	WASHER,SPRING	4				0	0
042	02118-50100	NUT	4				0.005	0.011
043	70722-47120	SPRING	1				0.06	0.132
044	01173-51025	BOLT	1				0.021	0.0462
045	04512-50100	WASHER,SPRING	1				0	0
046	02118-50100	NUT	1				0.005	0.011

MAIN STAY



3 70732-5115-0



**MAIN STAY**

↔ Interchangeable; ≠ not interchangeable; ← new for old; → old for new

REF.No	Part No.	Description	Q'ty	S.No.	I/C	REMARKS	Weight (kgf)	Weight (lb)
001	70732-51110	STAY,LH FRONT	1				3.25	7.15
002	70732-51130	STAY,LH REAR	1				1.85	4.07
003	70732-51150	STAY,RH FRONT	1	<=12736			0	0
003	70732-51152	STAY,RH FRONT	1	>=12737	←		2.38	5.236
004	70732-51170	STAY,RH REAR	1				2.3	5.06
005	01133-51028	BOLT	12				0.027	0.0594
006	70732-51180	HOLDER,LIFT LINK	1				2.99	6.578
007	01173-51028	BOLT	4				0.022	0.0484
008	04512-50100	WASHER,SPRING	4				0	0
009	02118-50100	NUT	4				0.005	0.011
010	70732-51200	ROD,SUPPORT	1				0.44	0.968
011	02174-50140	NUT	4				0.014	0.0308
012	04512-50140	WASHER,SPRING	2				0	0
013	70722-51160	STAY,LIFT LH	1				5.12	11.264
014	70722-51190	STAY,LIFT RH	1				5.1	11.22
015	01173-51240	BOLT	2				0.045	0.099
016	02174-50120	NUT	2				0.01	0.022
017	70722-51220	HOLDER	2				0	0
018	70720-51270	LINK 1	1				0.41	0.902
019	70722-51290	LINK 2	1				0	0
020	05122-51460	PIN,JOINT	5				0.074	0.1628
021	05122-51480	PIN,JOINT	4				0.09	0.198
022	04011-50140	WASHER,PLAIN	9				0.007	0.0154
023	70712-51140	RING,SNAP	5				0.009	0.0198
024	05122-51260	PIN,JOINT	2				0.055	0.121
025	04011-50120	WASHER,PLAIN	2				0.005	0.011
026	05511-50425	PIN,SPLIT	6				0.003	0.0066
027	70732-61110	ASSY CHAIN	2				0.325	0.715
028	02174-50120	NUT	2				0.01	0.022
029	04512-50120	WASHER,SPRING	2				0	0
030	05122-51035	PIN,JOINT	2				0.023	0.0506
031	04011-50100	WASHER,PLAIN	2				0.002	0.0044
032	05511-50318	PIN,SPLIT	2				0.001	0.0022
033	70722-61130	ROD 1	1				0.23	0.506
034	02174-50120	NUT	1				0.01	0.022
035	37720-28980	TURNBUCKLE	1				0.099	0.2178
036	70722-61150	ROD 2	1				0.45	0.99
037	05122-51260	PIN,JOINT	1				0.055	0.121
038	05122-51230	PIN,JOINT	1				0.029	0.0638
039	04011-50120	WASHER,PLAIN	2				0.005	0.011
040	05511-50420	PIN,SPLIT	2				0.002	0.0044
041	70722-61170	ARM,LIFT	1				1	2.2
041	76521-61170	ARM,LIFT LH	1	>=10001		SERVICE PARTS	0	0
041	76521-61172	ARM,LIFT LH	1	>=13535	←	SERVICE PARTS	1.2	2.64
042	70732-71110	MANUAL,INSTRUCTION	1			NOT SHOWN IN FIG.	0	0