

# Instructions for Parts Books

The heading at the top of the page will be the same for the picture of the parts as it is for the page with the part numbers.

Definition of column headings on part number pages:

**REF.No** → The number referring to the part on the picture page of the parts book.

**Part No.** → The number assigned to this part at the time of printing the parts book.

**Description** → Description of part.

**Q'ty** → Quantity of part used on that page.

**S.No.** → Serial number range of the equipment that this part will fit.

>= Your serial number should be greater than or equal to the number shown.

<= Your serial number should be lesser than or equal to the serial number shown.

**I/C** → Interchangeability of part shown.

↔ The part shown will work for the older and later serial number.

# The part shown is not interchangeable with the other serial number.

← new for old

→ old for new

**Remarks** → Notes about this particular part. Sometimes this may say except [FR] or [CA]

## Note about Country Codes:

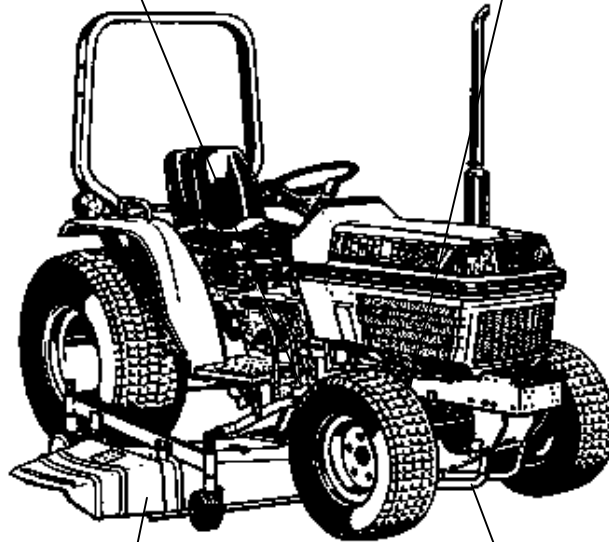
The parts books we use in the United States of America may also contain information about a part that would be different in another country. It is important that you are aware of the country codes in some instances.

Symbol	Country
A	United States of America
CA	Canada
FR	France
GR	Greece
PO	Portugal
AU	Australia

If the remarks column says for example EXCEPT [FR] this part works in all countries except France. That means it will work here in the USA.

UNIVERSAL JOINT

GEAR BOX/PULLEY/BLADE



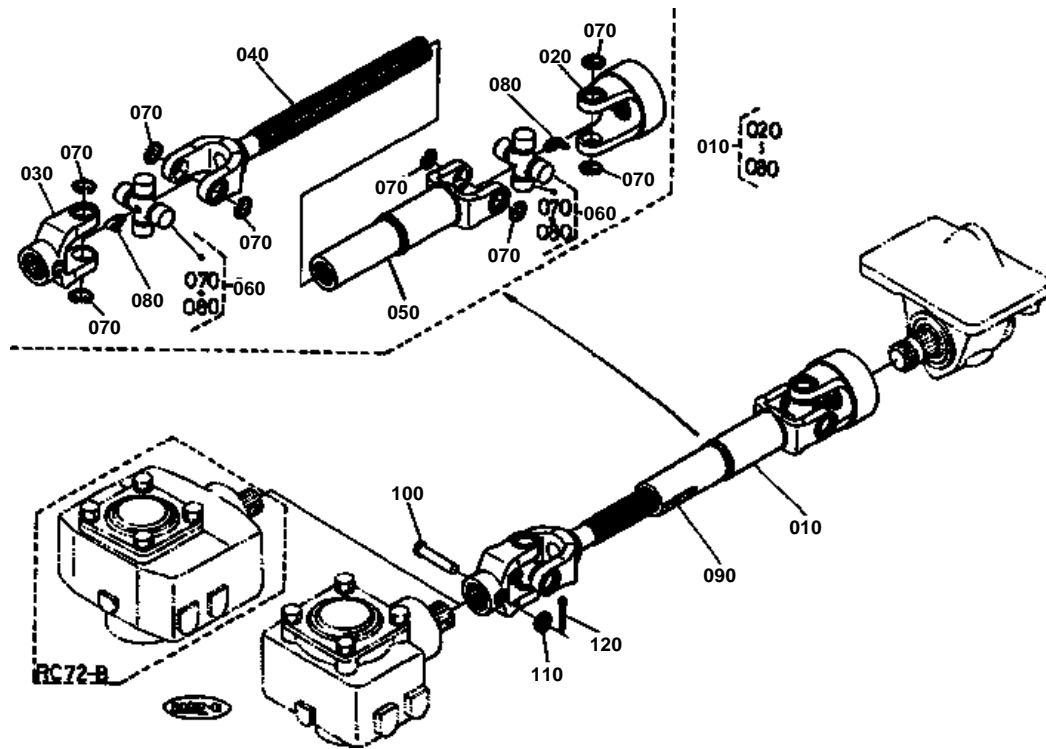
MOWER DECK/WHEEL

LINKAGE/LIFT ARM

ACCESSORIES

Item	Part No.	Description	Book
UNIVERSAL JOINT	01R0101	UNIVERSAL JOINT [RC60-B]	100K0279
GEAR BOX/PULLEY/BLADE	01R0201	GEAR BOX/CENTER PULLEY [RC60-B]	100K0279
	01R0301	PULLEY HOLDER/BLADE [RC60-B]	100K0279
	01R0401	SIDE PULLEY/BLADE [RC60-B]	100K0279
	01R0501	TENSION PULLEY [RC60-B]	100K0279
	01R0601	MOWER DECK [RC60-B] [A] [CA] [FR]	100K0279
MOWER DECK/WHEEL	01R0702	WHEEL [RC60-B] [A] [CA]	100K0279
	01R0801	LINKAGE [RC60-B]	100K0279
LINKAGE/LIFT ARM	01R0901	DISCHARGE COVER [RC60-B]	100K0279
MOWER DECK/WHEEL	01R1001	LIFT LINKAGE [RC60-B] (EXCEPT HST TYPE)	100K0279
LINKAGE/LIFT ARM	01R1003	LIFT LINKAGE [RC60-B] (HST TYPE)	100K0279
	01R1101	REAR LINKAGE [RC60-B]	100K0279
ACCESSORIES	01R1201	LIFT ARM [RC60-B]	100K0279
	01R1301	ACCESSORIES AND SERVICE PARTS [RC60-B]	100K0279

UNIVERSAL JOINT [RC60-B]

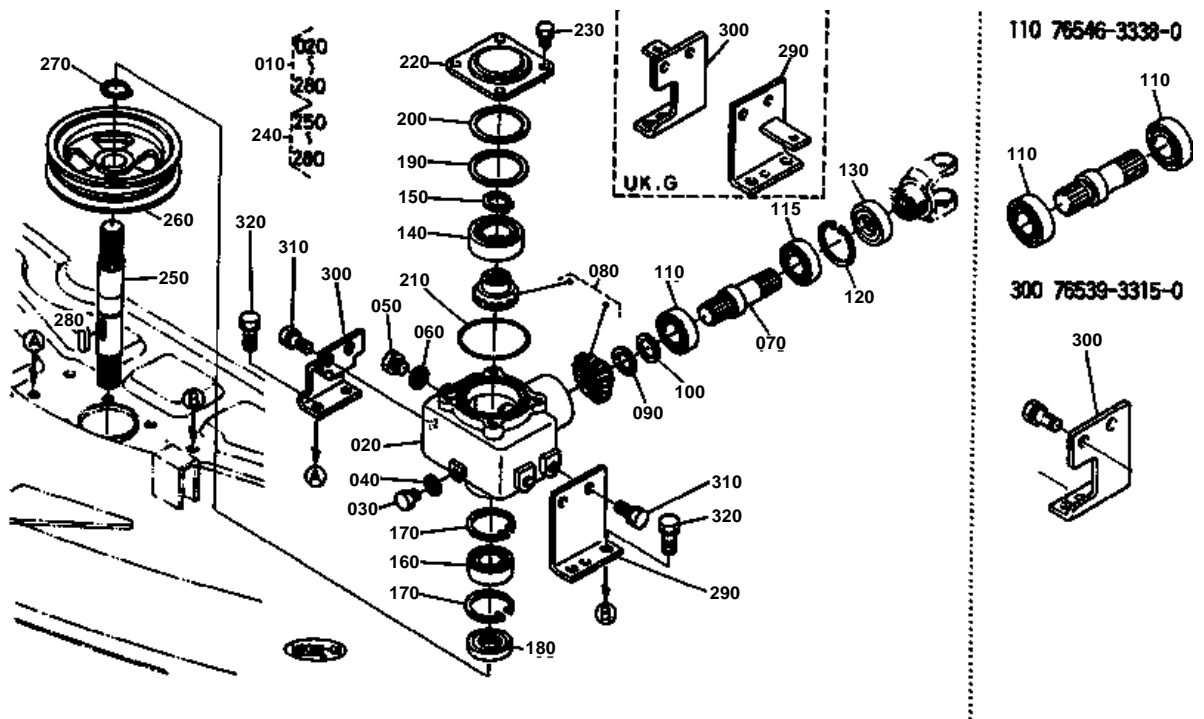




# UNIVERSAL JOINT [RC60-B]

↔ Interchangeable; ≠ not interchangeable; ← new for old; → old for new

REF.No	Part No.	Description	Q'ty	S.No.	I/C	REMARKS	Weight (kgf)	Weight (lb)
010	76539-32030	ASSY JOINT,UNIVERSAL	1				3.1	6.82
020	76539-31150	YOKE,QUICK	1				0.55	1.21
030	76539-31130	JOINT,PTO	1				0.44	0.968
040	76539-31140	JOINT	1				0	0
050	76539-31170	JOINT	1				0.2	0.44
060	76539-31180	ASSY JOINT,CROSS	2				0.21	0.462
070	76539-32120	RING,SNAP	8				0.003	0.0066
080	76539-31210	NIPPLE,GREASE	2				0.01	0.022
090	76550-31150	MARK	1				0.001	0.0022
100	05122-50845	PIN,JOINT	1				0.018	0.0396
110	04012-50080	WASHER,PLAIN	1				0.001	0.0022
120	05511-50218	PIN,SPLIT	1				0.001	0.0022

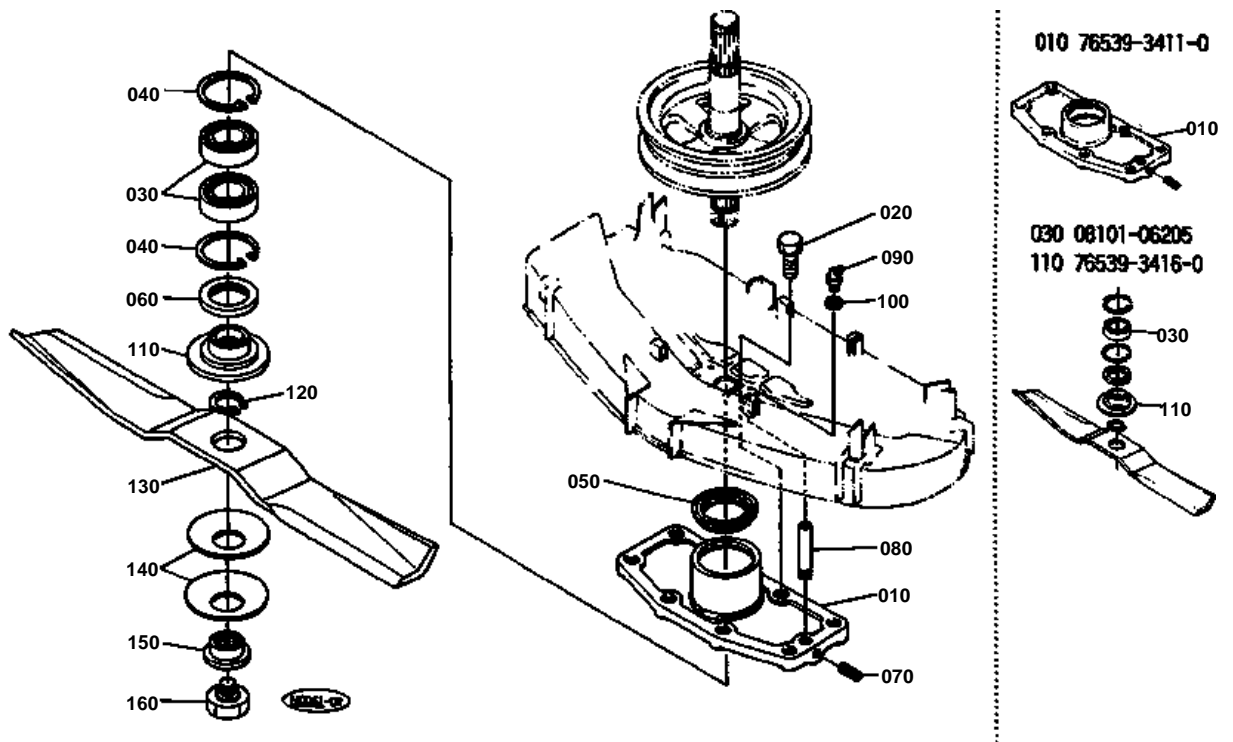




## GEAR BOX/CENTER PULLEY [RC60-B]

↔ Interchangeable; ≠ not interchangeable; ← new for old; → old for new

REF.No	Part No.	Description	Q'ty	S.No.	I/C	REMARKS	Weight (kgf)	Weight (lb)
010	76539-99040	ASSY CASE,BEVEL GEAR	1	<=12388			7.8	17.16
010	76539-99042	ASSY CASE,BEVEL GEAR	1	>=20001	≠		7.8	17.16
010	76539-99044	ASSY CASE,BEVEL GEAR	1	>=30001	≠		5	11
020	76539-33110	CASE,BEVEL GEAR	1	<=11128		[A][CA]	3.35	7.37
020	76539-33112	CASE,BEVEL GEAR	1	>=11129	≠	[A][CA]	3.25	7.15
020	76539-33112	CASE,BEVEL GEAR	1			[FR][UK][G]	3.25	7.15
030	76539-12140	BOLT	1				0	0
040	04717-01200	WASHER,WITH RUBBER	1				0.002	0.0044
050	06331-35016	PLUG	1	<=11128		[A][CA]	0.04	0.088
050	76539-12140	BOLT	1	>=11129	≠	[A][CA]	0	0
050	76539-12140	BOLT	1			[FR][UK][G]	0	0
060	04717-01600	WASHER,WITH RUBBER	1	<=11128		[A][CA]	0.003	0.0066
060	04717-01200	WASHER,WITH RUBBER	1	>=11129	≠	[A][CA]	0.002	0.0044
060	04717-01200	WASHER,WITH RUBBER	1			[FR][UK][G]	0.002	0.0044
070	70722-33310	SHAFT,PINION	1				0.46	1.012
080	76539-99020	KIT GEAR,BEVEL	1	<=30000		17-15T	0.42	0.924
080	76507-33320	KIT GEAR,BEVEL	1	>=30001	≠	20-17T	0.2	0.44
090	70720-33350	SHIM	1			0.2MM	0.001	0.0022
100	70720-33360	SHIM	1			0.3MM	0.001	0.0022
110	76546-33380	BEARING,BALL	2	<=30000			0.11	0.242
110	76546-33380	BEARING,BALL	1	>=30001			0.11	0.242
115	08101-06205	BEARING,BALL	1	>=30001			0.14	0.308
120	04611-00520	CIR CLIP,INTERNAL	1				0.009	0.0198
130	76535-33440	SEAL,OIL	1				0.02	0.044
140	70712-33550	BEARING,BALL	1				0.22	0.484
150	04612-00220	CIR CLIP,EXTERNAL	1				0.001	0.0022
160	08101-06205	BEARING,BALL	1				0.14	0.308
170	04611-00520	CIR CLIP,INTERNAL	2				0.009	0.0198
180	76535-33440	SEAL,OIL	1				0.02	0.044
190	76539-33410	SHIM	1			0.2MM	0.001	0.0022
200	76539-33590	SHIM	1			0.3MM	0.005	0.011
210	04811-10800	RING	1				0.001	0.0022
220	70712-33610	COVER,BEVEL CASE	1				0.2	0.44
230	01123-50814	BOLT	4				0.01	0.022
240	76539-99030	ASSY PULLEY,CENTER	1	<=12388			2.43	5.346
240	76539-99032	ASSY PULLEY,CENTER	1	>=20001	≠		2.5	5.5
240	76539-99033	ASSY PULLEY,CENTER	1	>=30001	≠		2.6	5.72
250	76539-33510	SHAFT,BEVEL GEAR	1	<=12388			0.71	1.562
250	76539-33500	SHAFT,BEVEL GEAR	1	>=20001	≠		0	0
250	76539-33502	SHAFT,BEVEL GEAR	1	>=30001	≠		0.78	1.716
260	76539-33520	PULLEY,CENTER	1				1.65	3.63
270	04612-00250	CIR CLIP,EXTERNAL	1				0.002	0.0044
280	05712-00728	KEY,FEATHER	1				0.01	0.022
290	76539-33130	STAY,BEVEL CASE LH	1			[A][CA][FR]	0.4	0.88
290	76539-11130	STAY,BEVEL CASE LH	1			[UK][G]	0.5	1.1
300	76539-33150	STAY,BEVEL CASE RH	1	<=30446		[A][CA][FR]	0	0
300	76539-33152	STAY,BEVEL CASE RH	1	>=30047	←	[A][CA][FR]	0.45	0.99
300	76539-11150	STAY,BEVEL CASE RH	1			[UK][G]	0.45	0.99
310	01133-51222	BOLT	4				0	0
320	01133-51230	BOLT	4				0.04	0.088



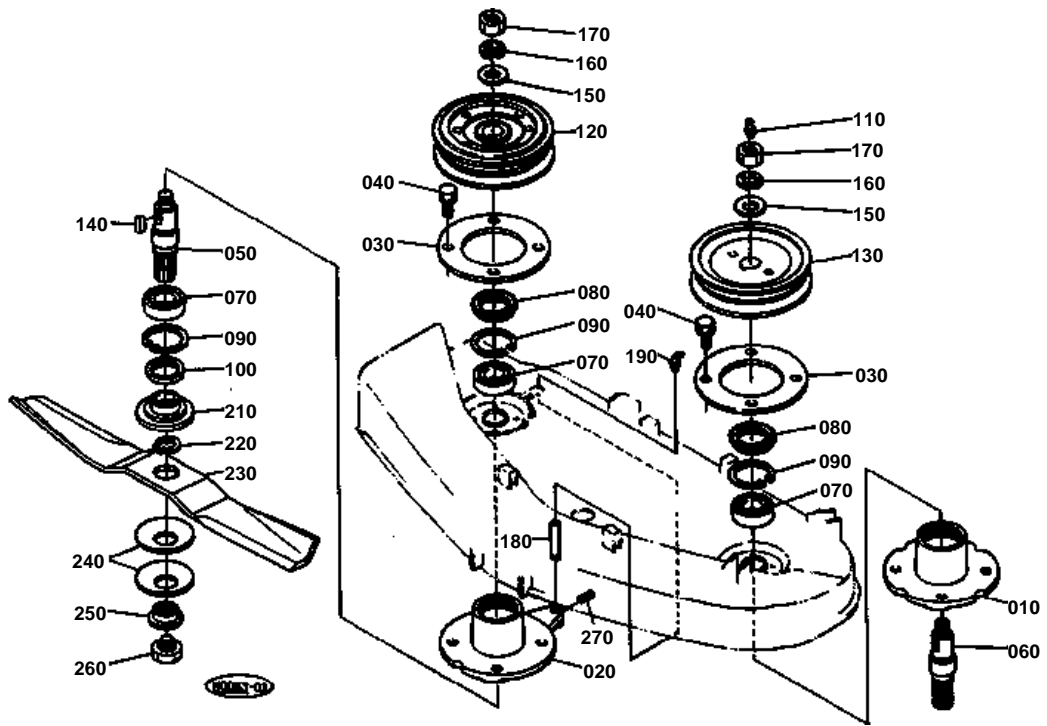




PULLEY HOLDER/BLADE [RC60-B]

↔ Interchangeable; ≠ not interchangeable; ← new for old; → old for new

REF.No	Part No.	Description	Q'ty	S.No.	I/C	REMARKS	Weight (kgf)	Weight (lb)
010	76539-34110	HOLDER,PULLEY	1	<=30000			2.57	5.654
010	76539-34114	HOLDER,PULLEY	1	>=30001	≠		0	0
020	01133-51222	BOLT	4				0	0
030	08101-06205	BEARING,BALL	1	<=30000			0.14	0.308
030	08101-06205	BEARING,BALL	2	>=30001	≠		0.14	0.308
040	04611-00520	CIR CLIP,INTERNAL	2				0.009	0.0198
050	70722-34120	SEAL,OIL	1				0.025	0.055
060	70725-34160	SEAL,OIL	1	<=11275			0	0
060	09500-35528	SEAL,OIL	1	>=11276	↔		0.017	0.0374
070	03410-50606	SCREW,SET	1				0.001	0.0022
080	76539-34130	PIPE,EXTENSION	1	<=11275			0	0
080	76539-34132	PIPE,EXTENSION	1	>=11276	←		0.01	0.022
090	67111-44250	NIPPLE,GREASE	1				0.005	0.011
100	66616-34390	SHIM,ADJUSTING	1				0.001	0.0022
110	76539-34150	BOSS,BLADE	1	<=12388			0.28	0.616
110	76539-34160	BOSS,BLADE	1	>=20001	≠		0.42	0.924
110	76539-34150	BOSS,BLADE	1	>=30001	≠		0.28	0.616
120	04612-00220	CIR CLIP,EXTERNAL	1				0.001	0.0022
130	76539-34330	BLADE	1				1.6	3.52
140	76550-34350	RETAINER,BLADE	2				0.075	0.165
150	76539-34390	JOINT,BLADE BOSS	1				0	0
160	76539-34370	BOLT,LOCKING BLADE	1	<=11275			0	0
160	76539-34372	BOLT,LOCKING BLADE	1	>=11276	←		0.05	0.11

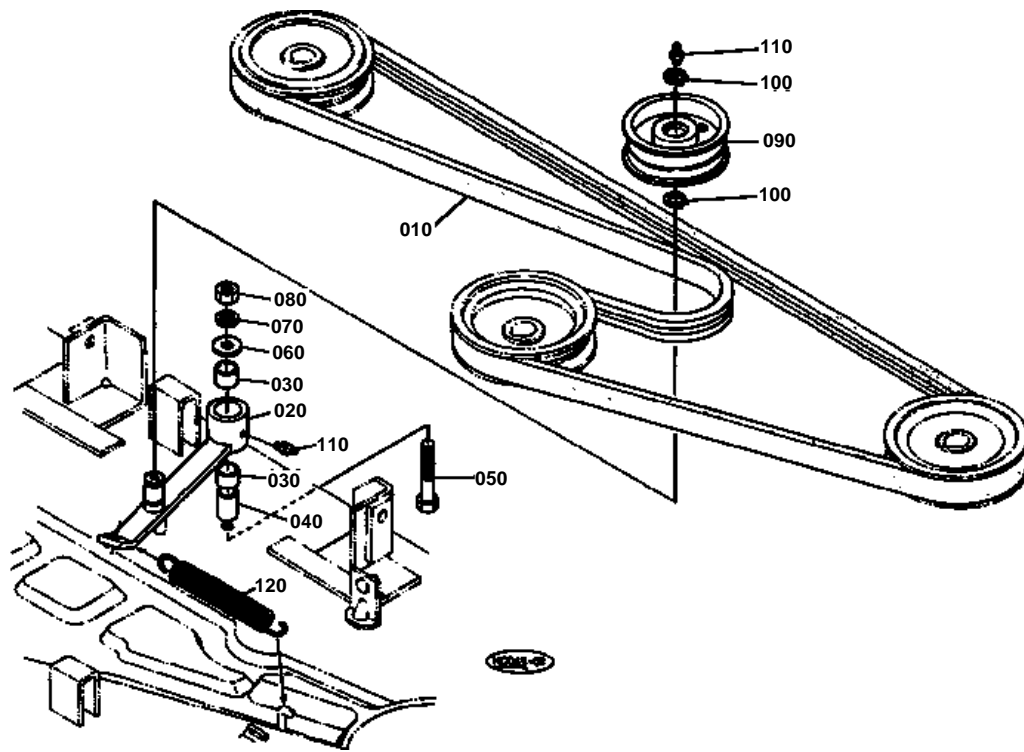




## SIDE PULLEY/BLADE [RC60-B]

↔ Interchangeable; ≠ not interchangeable; ← new for old; → old for new

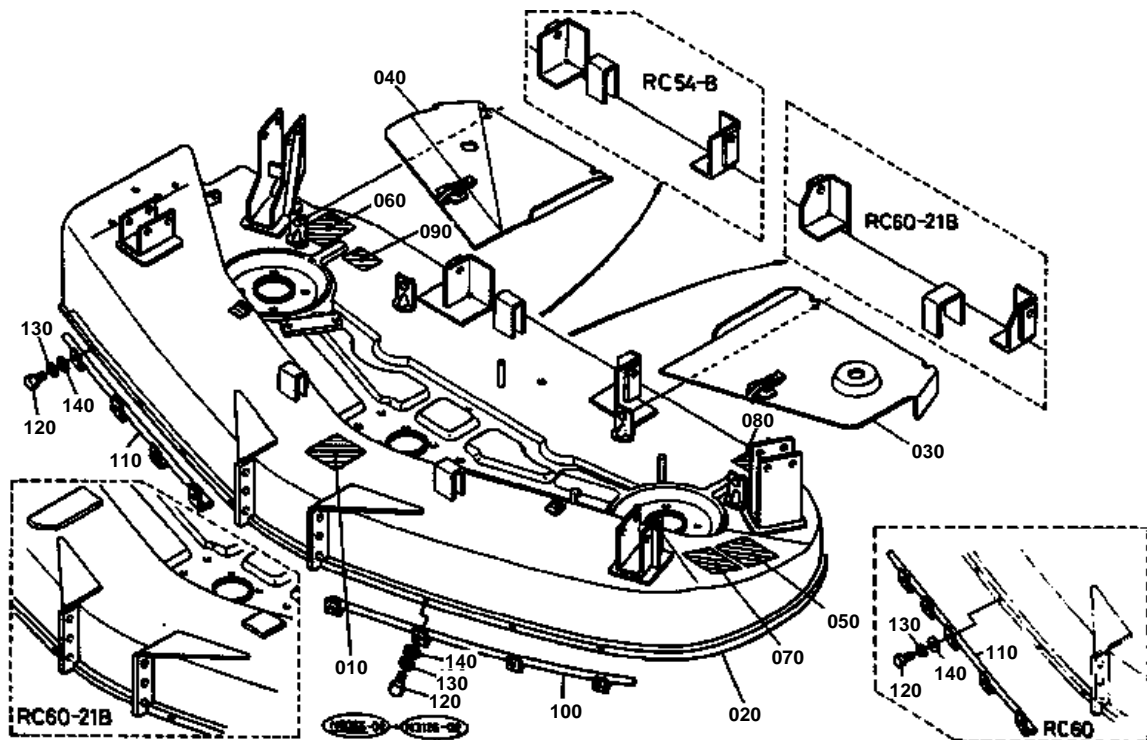
REF.No	Part No.	Description	Q'ty	S.No.	I/C	REMARKS	Weight (kgf)	Weight (lb)
010	76539-34510	HOLDER,PULLEY LH	1	≤30000			1.77	3.894
010	76539-34514	HOLDER,PULLEY LH	1	≥30001	≠		0	0
020	76539-34520	HOLDER,PULLEY RH	1	≤30000			1.82	4.004
020	76539-34524	HOLDER,PULLEY RH	1	≥30001	≠		0	0
030	76539-34320	PLATE	2				0	0
040	01133-51225	BOLT	8				0.038	0.0836
050	76539-34530	SHAFT,BLADE LH	1	≤12388			0.42	0.924
050	76539-34540	SHAFT,BLADE RH	1	≥20001	≠		0	0
050	76539-34542	SHAFT,BLADE RH	1	≥30001	≠		0.515	1.133
060	76539-34560	SHAFT,BLADE LH	1	≤12388			0.4	0.88
060	76539-34550	SHAFT,BLADE LH	1	≥20001	≠		0.43	0.946
060	76539-34552	SHAFT,BLADE LH	1	≥30001	≠		0.5	1.1
070	08101-06205	BEARING,BALL	4				0.14	0.308
080	70722-34120	SEAL,OIL	2				0.025	0.055
090	04611-00520	CIR CLIP,INTERNAL	4				0.009	0.0198
100	09500-35528	SEAL,OIL	2				0.017	0.0374
110	06613-10675	NIPPLE,GREASE	1				0.003	0.0066
120	76539-33570	PULLEY,SIDE RH	1				1.71	3.762
130	76539-33580	PULLEY,SIDE LH	1				1.7	3.74
140	05712-00722	KEY,FEATHER	2				0.009	0.0198
150	70721-34560	WASHER,PLAIN	2				0.01	0.022
160	70725-33600	WASHER,SPRING	2				0.015	0.033
170	70725-33560	NUT	2				0.012	0.0264
180	76539-34130	PIPE,EXTENSION	1	≤11275			0	0
180	76539-34132	PIPE,EXTENSION	1	≥11276	←		0.01	0.022
190	06613-10010	NIPPLE,GREASE	1				0.006	0.0132
200	99999-99999	BLANK	0				0	0
210	76539-34150	BOSS,BLADE	2	≤12388			0.28	0.616
210	76539-34160	BOSS,BLADE	2	≥20001	≠		0.42	0.924
210	76539-34150	BOSS,BLADE	2	≥30001	≠		0.28	0.616
220	04612-00220	CIR CLIP,EXTERNAL	2				0.001	0.0022
230	76539-34330	BLADE	2				1.6	3.52
240	76550-34350	RETAINER,BLADE	4				0.075	0.165
250	76539-34390	JOINT,BLADE BOSS	2				0	0
260	76539-34370	BOLT,LOCKING BLADE	2	≤11275			0	0
260	76539-34372	BOLT,LOCKING BLADE	2	≥11276	←		0.05	0.11
270	03410-50606	SCREW,SET	1				0.001	0.0022



**TENSION PULLEY [RC60-B]**

↔ Interchangeable; ≠ not interchangeable; ← new for old; → old for new

REF.No	Part No.	Description	Q'ty	S.No.	I/C	REMARKS	Weight (kgf)	Weight (lb)
010	76539-34710	BELT,MULTI	1			118 INCH	1.1	2.42
020	76539-34730	ARM,TENSION	1	<=11128		[A][CA]	0.64	1.408
020	76539-34733	ARM,TENSION	1	>=11129	≠	[A][CA]	0.55	1.21
020	76539-34733	ARM,TENSION	1			[FR][UK][G]	0.55	1.21
030	70722-44190	BUSH	2	<=11128		[A][CA]	0.041	0.0902
030	08511-02020	BUSH	2	>=11129	≠	[A][CA]	0.01	0.022
030	08511-02020	BUSH	2			[FR][UK][G]	0.01	0.022
040	76539-34780	COLLAR,TENSION	1				0.06	0.132
050	01173-51270	BOLT	1				0.067	0.1474
060	04015-50120	WASHER,PLAIN	1				0.02	0.044
070	04512-50120	WASHER,SPRING	1				0.003	0.0066
080	02172-50120	NUT	1				0.01	0.022
090	76539-34880	ASSY PULLEY,TENSION	1				0	0
100	04612-00170	CIR CLIP,EXTERNAL	2				0.001	0.0022
110	06613-10675	NIPPLE,GREASE	2				0.003	0.0066
120	76539-34750	SPRING,TENSION	1				0.18	0.396

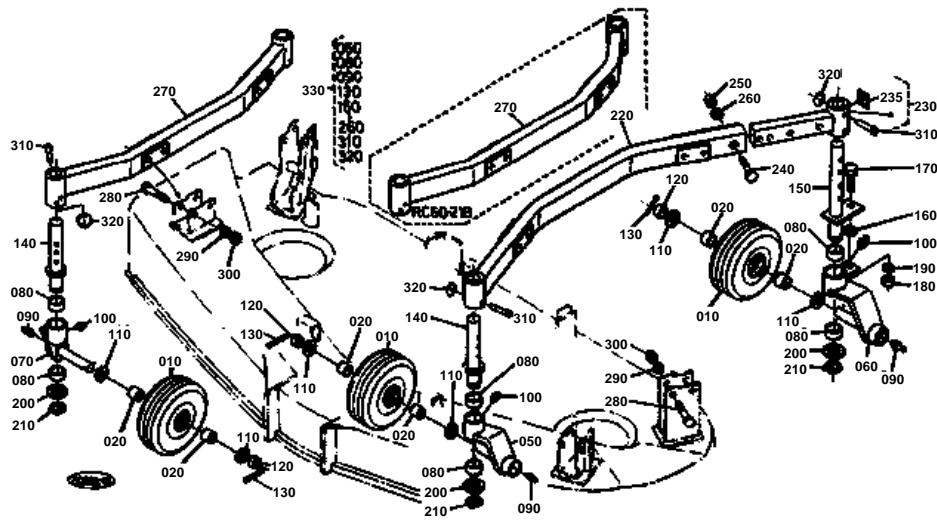




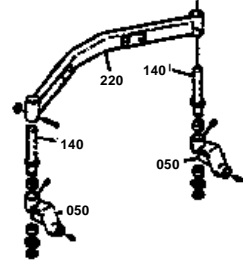
MOWER DECK [RC60-B] [A] [CA] [FR]

↔ Interchangeable; ≠ not interchangeable; ← new for old; → old for new

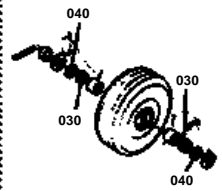
REF.No	Part No.	Description	Q'ty	S.No.	I/C	REMARKS	Weight (kgf)	Weight (lb)
010	76539-34570	LABEL, BLADE	1			[A][CA]	0.003	0.0066
010	76507-11340	NAME PLATE, BLADE	1			[CA][FR]	0.003	0.0066
020	76539-41160	DECK, MOWER	1	<=12337			0	0
020	76539-41166	DECK, MOWER	1	>=12338	←		70	154
020	76539-41167	DECK, MOWER	1	>=20001	≠		81	178.2
020	76539-41150	DECK, MOWER	1	>=30001	≠		61	134.2
030	76539-41180	COVER, LH	1				1.98	4.356
040	76539-41200	COVER, RH	1				1.84	4.048
050	70720-47154	LABEL, CAUTION	1			[A][CA]	0.001	0.0022
050	70712-11470	LABEL, CAUTION	1			[CA][FR]	0.002	0.0044
060	70712-41142	LABEL, CAUTION	1			[A][CA]	0.001	0.0022
060	76530-11420	LABEL, CAUTION	1			[CA][FR]	0.001	0.0022
070	76546-41190	LABEL, CUTTING HEIGHT	1	<=11335		[A][CA]	0.005	0.011
070	76539-41190	LABEL, CUTTING HEIGHT	1	>=11336	≠	[A][CA]	0.005	0.011
070	76568-11490	LABEL, CUTTING HEIGHT	1			[CA][FR]	0.003	0.0066
080	76550-61260	NAME PLATE, P.T.O	1	<=20484		[A][CA]	0.004	0.0088
080	76539-61260	LABEL, PTO	1	>=20485	≠	[A][CA]	0.005	0.011
080	76550-11260	LABEL, PTO	1			[CA][FR]	0.001	0.0022
090	99999-99999	LABEL, MODEL	1			NON SALE	0	0
100	76539-41100	BAR, FRONT LH	1	>=30001			0.7	1.54
110	76539-41120	BAR, FRONT RH	1	>=30001			0.8	1.76
120	01053-50516	BOLT	9	>=30001			0.003	0.0066
130	04512-50050	WASHER, SPRING	9	>=30001			0	0
140	04013-50050	WASHER, PLAIN	9	>=30001			0	0



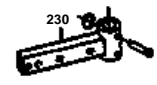
050 76521-4215-0  
140 76539-4311-0  
220 76529-4411-0



030 09220-20284  
040 04611-00280



230 76529-4412-0





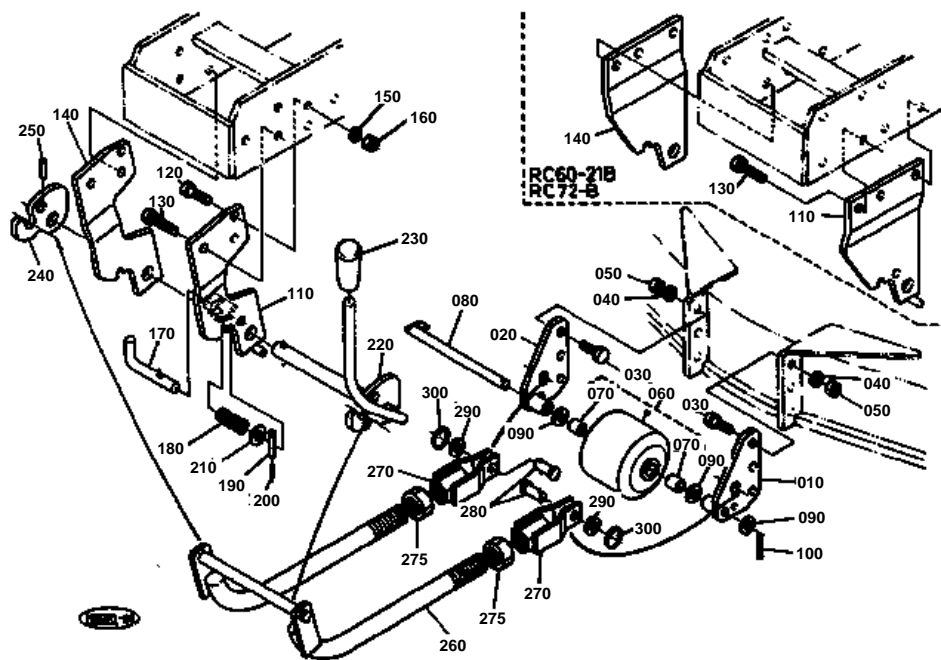


## WHEEL [RC60-B] [A] [CA]

↔ Interchangeable; ≠ not interchangeable; ← new for old; → old for new

REF.No	Part No.	Description	Q'ty	S.No.	I/C	REMARKS	Weight (kgf)	Weight (lb)
010	76521-42110	FRONT WHEEL	4				1.8	3.96
020	70722-44190	BUSH	8				0.041	0.0902
030	09220-20284	SEAL,OIL	8	≤20065			0.004	0.0088
040	04611-00280	CIR CLIP,INTERNAL	8	≤20065			0.002	0.0044
050	76521-42150	STAY,FRONT WHEEL LH	2	≤11465			1.23	2.706
050	76521-42150	STAY,FRONT WHEEL LH	1	>=11466			1.23	2.706
060	76539-42160	STAY,LH	1	>=11466			1.2	2.64
070	76521-42170	STAY,FRONT WHEEL RH	2				1.23	2.706
080	70722-42190	BUSH	8				0.045	0.099
090	06613-10010	NIPPLE,GREASE	4	≤11335			0.006	0.0132
090	06613-10675	NIPPLE,GREASE	4	>=11336	≠		0.003	0.0066
100	06613-10675	NIPPLE,GREASE	4				0.003	0.0066
110	04013-50200	WASHER,PLAIN	8				0.02	0.044
120	70722-42140	COLLAR	4				0.035	0.077
130	05511-50540	PIN,SPLIT	4				0.009	0.0198
140	76539-43110	SHAFT,WHEEL	4	≤11465			2.75	6.05
140	76539-43110	SHAFT,WHEEL	3	>=11466			2.75	6.05
150	76539-43140	SHAFT,REAR WHEEL	1	>=11466			0.9	1.98
160	04011-50100	WASHER,PLAIN	1	>=11466			0.002	0.0044
170	01173-51025	BOLT	1	>=11466			0.021	0.0462
180	02118-50100	NUT	1	>=11466			0.005	0.011
190	04512-50100	WASHER,SPRING	1	>=11466			0.003	0.0066
200	70722-43130	COLLAR,FRONT WHEEL	4				0.015	0.033
210	04612-00300	CIR CLIP,EXTERNAL	4				0.003	0.0066
220	76539-44110	STAY,WHEEL LH	1	≤11465			3.82	8.404
220	76539-44114	STAY,WHEEL LH	1	>=11466	≠		3.24	7.128
220	76539-44090	STAY,WHEEL LH	1	>=30001	≠		3.3	7.26
230	76539-44120	STAY,WHEEL	1	≤30000			1.6	3.52
230	76539-44080	ASSY STAY,WHEEL	1	>=30001	≠		1.62	3.564
235	76529-44150	LABEL TOP	1	>=30001			0.001	0.0022
240	01173-51245	BOLT	1	>=11466			0.049	0.1078
250	02174-50120	NUT	1	>=11466			0.01	0.022
260	04512-50120	WASHER,SPRING	1	>=11466			0.003	0.0066
270	76539-44130	STAY,WHEEL RH	1	≤12388			4.1	9.02
270	76539-44140	STAY,WHEEL RH	1	>=20001	≠		4.2	9.24
270	76539-44142	STAY,WHEEL RH	1	>=30001	≠		4.2	9.24
280	01173-51270	BOLT	8				0.067	0.1474
290	04512-50120	WASHER,SPRING	8				0.003	0.0066
300	02176-50120	NUT	8				0.01	0.022
310	05122-51050	PIN,JOINT	4				0.032	0.0704
320	76550-42190	RING,SNAP	4				0.004	0.0088
330	76539-99100	KIT STAY,WHEEL LH	1			SERVICE PARTS	30	66

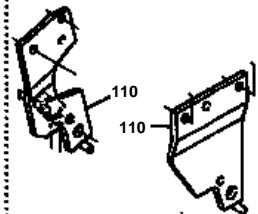
LINKAGE [RC60-B]



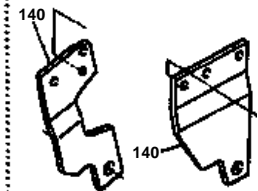
010 76539-4481-0  
020 76539-4482-0



110 76539-4451-0  
110 76553-4451-0



140 76539-4452-0  
140 76553-4452-0



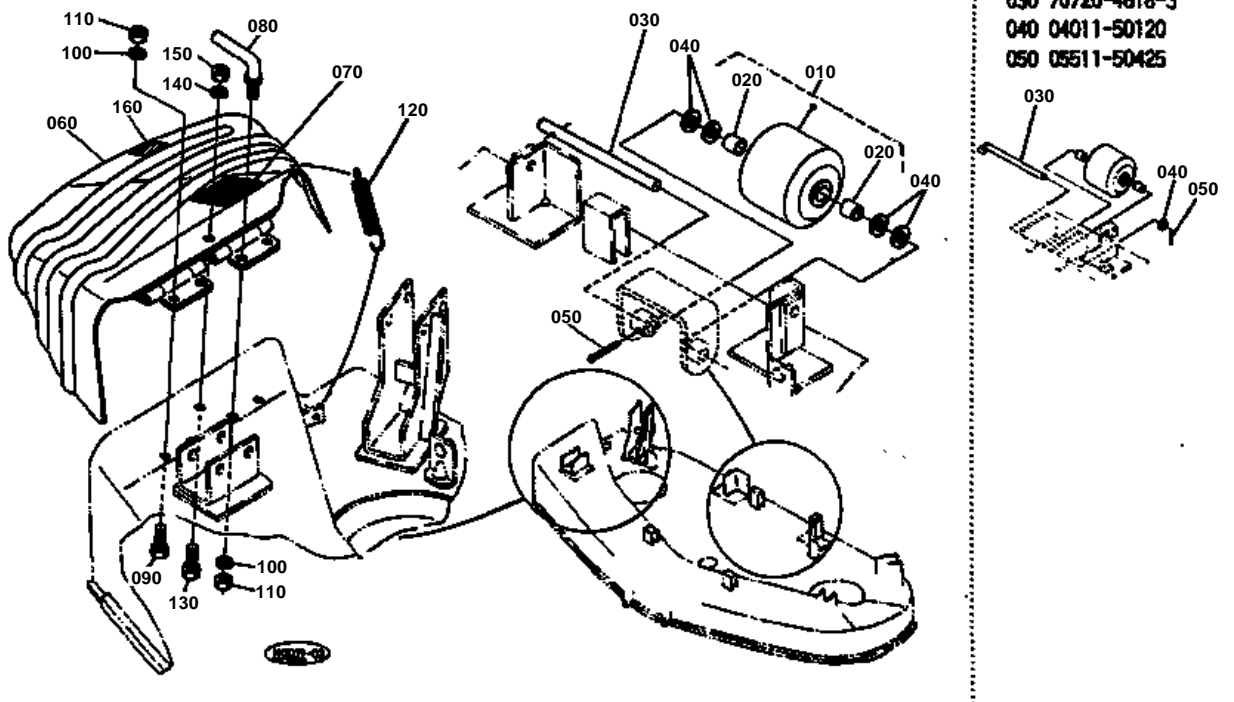


## LINKAGE [RC60-B]

↔ Interchangeable; ≠ not interchangeable; ← new for old; → old for new

REF.No	Part No.	Description	Q'ty	S.No.	I/C	REMARKS	Weight (kgf)	Weight (lb)
010	76539-44810	BRACKET,LH	1	<=12388			0.54	1.188
010	76539-44813	BRACKET,LH	1	>=20001	≠		0.5	1.1
020	76539-44820	BRACKET,RH	1	<=12388			0.53	1.166
020	76539-44823	BRACKET,RH	1	>=20001	≠		0.5	1.1
030	01173-51030	BOLT	6				0.023	0.0506
040	04512-50100	WASHER,SPRING	6				0.003	0.0066
050	02118-50100	NUT	6				0.005	0.011
060	76543-46250	ROLLER,ANTI-SCALP	1				0	0
070	08511-01220	BUSH	2				0.004	0.0088
080	76539-46180	PIN,GAUGE WHEEL	1				0.17	0.374
090	04011-50120	WASHER,PLAIN	3				0.005	0.011
100	05511-50425	PIN,SPLIT	1				0.003	0.0066
110	76539-44510	STAY,LH	1	<=11335		[A][CA]	1.5	3.3
110	76539-44513	STAY,LH	1	>=11336	≠	[A][CA]	1.45	3.19
110	76539-44513	STAY,LH	1			[FR][UK][G]	1.45	3.19
120	01173-51235	BOLT	4				0.04	0.088
130	01175-51245	BOLT	2				0.049	0.1078
140	76539-44520	STAY,RH	1	<=11335		[A][CA]	1.42	3.124
140	76539-44523	STAY,RH	1	>=11336	≠	[A][CA]	1.32	2.904
140	76539-44523	STAY,RH	1			[FR][UK][G]	1.32	2.904
150	04512-50120	WASHER,SPRING	6				0.003	0.0066
160	02176-50120	NUT	6				0.01	0.022
170	76539-44540	PIN,HINGE	1				0.15	0.33
180	76539-44560	SPRING,HINGE PIN	1				0.005	0.011
190	05411-00540	PIN,SPRING	1				0.004	0.0088
200	05411-00320	PIN,SPRING	1				0.001	0.0022
210	04011-50140	WASHER,PLAIN	1				0.007	0.0154
220	76539-44580	LEVER,LINK FULCRUM	1	<=11335		[A][CA]	1.3	2.86
220	76539-44583	LEVER,LINK FULCRUM	1	>=11336	≠	[A][CA]	0	0
220	76539-44583	LEVER,LINK FULCRUM	1			[FR][UK][G]	0	0
230	06914-00140	GRIP,LEVER	1	<=11335		[A][CA]	0.014	0.0308
230	06914-00120	GRIP,LEVER	1	>=11336	≠	[A][CA]	0.018	0.0396
230	06914-00120	GRIP,LEVER	1			[FR][UK][G]	0.018	0.0396
240	76539-44590	HOLDER,LINK	1	<=11335		[A][CA]	0.335	0.737
240	76539-44593	HOLDER,LINK	1	>=11336	≠	[A][CA]	0	0
240	76539-44593	HOLDER,LINK	1			[FR][UK][G]	0	0
250	05411-00630	PIN,SPRING	1				0.004	0.0088
260	76539-44610	LINK,FRONT	1				3.91	8.602
270	76539-44630	LINK,FRONT	2				0.43	0.946
275	76539-44660	NUT,LOCK	2	>=30579			0.045	0.099
280	05122-51430	PIN,JOINT	2				0.042	0.0924
290	04011-50140	WASHER,PLAIN	2				0.007	0.0154
300	70712-51140	RING,SNAP	2				0.009	0.0198

DISCHARGE COVER [RC60-B]



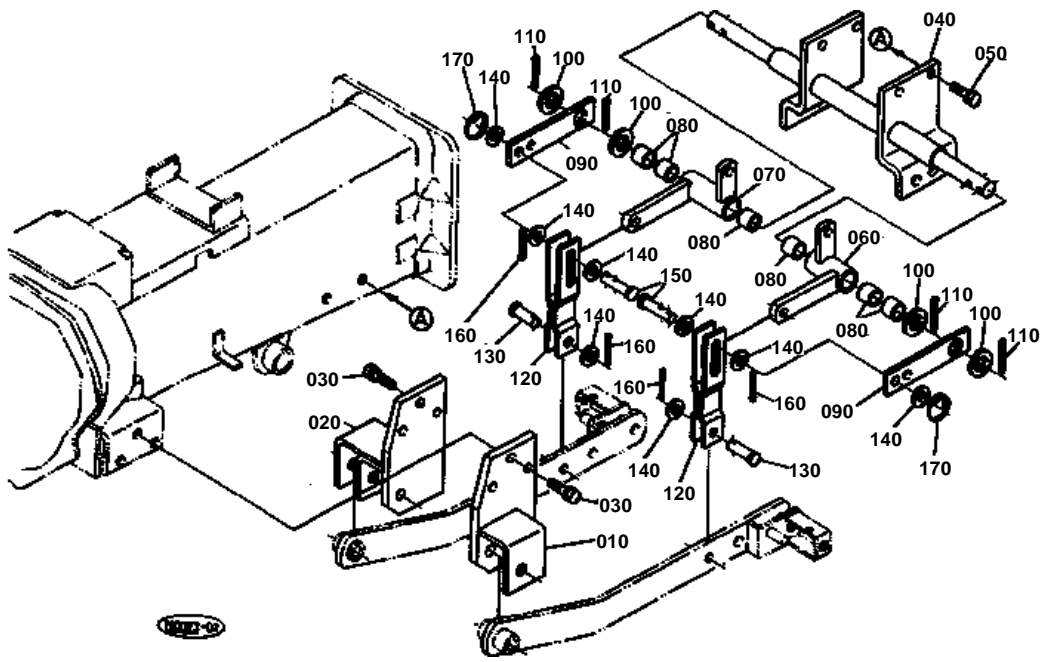


## DISCHARGE COVER [RC60-B]

↔ Interchangeable; ≠ not interchangeable; ← new for old; → old for new

REF.No	Part No.	Description	Q'ty	S.No.	I/C	REMARKS	Weight (kgf)	Weight (lb)
010	76543-46250	ROLLER,ANTI-SCALP	1	<=12388			0	0
010	76507-46250	ROLLER,ANTI-SCALP	1	>=20001	≠		0.28	0.616
020	08511-01220	BUSH	2				0.004	0.0088
030	70720-46183	PIN,GAUGE WHEEL	1	<=12388			0.125	0.275
030	76505-46182	PIN,GAUGE WHEEL	1	>=20001	≠		0.22	0.484
040	04011-50120	WASHER,PLAIN	1	<=12388			0.005	0.011
040	04011-50120	WASHER,PLAIN	1	>=20001	≠		0.005	0.011
050	05511-50425	PIN,SPLIT	1	<=12388			0.003	0.0066
050	05511-50525	PIN,SPLIT	1	>=20001	≠		0.005	0.011
060	76539-47110	COVER,CHUTE	1	<=11128			0	0
060	76539-47114	COVER,CHUTE	1	>=11129	←		0	0
060	76539-47115	COVER,CHUTE	1	>=30001	≠		4.5	9.9
070	70712-47142	LABEL,CAUTION	1			[A][CA][UK]	0.001	0.0022
070	76530-11480	LABEL,CAUTION	1			[CA][FR]	0.005	0.011
070	70712-47132	LABEL,CAUTION	1			[G]	0.002	0.0044
080	70721-47130	STOPPER,CHUTE	1				0.05	0.11
090	01173-51025	BOLT	3				0.021	0.0462
100	04512-50100	WASHER,SPRING	4				0.003	0.0066
110	02118-50100	NUT	4				0.005	0.011
120	70720-34750	SPRING,TENSION	1	<=11335			0.09	0.198
120	70722-47120	SPRING	1	>=11336	←		0.06	0.132
130	01173-51025	BOLT	1				0.021	0.0462
140	04512-50100	WASHER,SPRING	1				0.003	0.0066
150	02118-50100	NUT	1				0.005	0.011
160	76543-47200	LABEL,CAUTION	1			[G]	0.002	0.0044

LIFT LINKAGE [RC60-B] (EXCEPT HST TYPE)

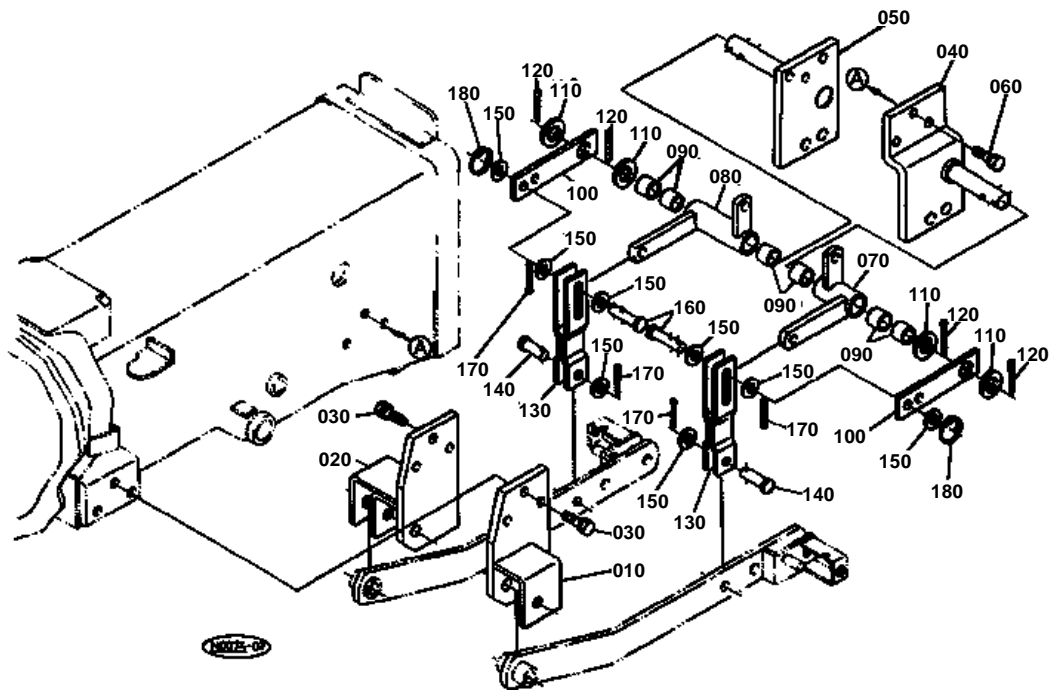


**LIFT LINKAGE [RC60-B] (EXCEPT HST TYPE)**

↔ Interchangeable; ≠ not interchangeable; ← new for old; → old for new

REF.No	Part No.	Description	Q'ty	S.No.	I/C	REMARKS	Weight (kgf)	Weight (lb)
010	76539-51110	STAY,FRONT LH	1				1.8	3.96
020	76539-51130	STAY,FRONT RH	1				2.15	4.73
030	01133-51030	BOLT	6				0.025	0.055
040	76539-51100	STAY,REAR	1				4.3	9.46
050	01133-51030	BOLT	4				0.025	0.055
060	76539-51190	FULCRUM,LIFT LH	1				0.52	1.144
070	76539-51200	FULCRUM,LIFT RH	1				0.58	1.276
080	08511-02020	BUSH	6				0.01	0.022
090	76539-51230	SUPPORT	2				0.18	0.396
100	04011-50200	WASHER,PLAIN	4				0.015	0.033
110	05511-50530	PIN,SPLIT	4				0.006	0.0132
120	76539-51250	LINK,LIFT	2				0.42	0.924
130	05122-51235	PIN,JOINT	2				0.034	0.0748
140	04013-50120	WASHER,PLAIN	8				0.007	0.0154
150	76539-51270	PIN,JOINT	2				0.05	0.11
160	05511-50425	PIN,SPLIT	4				0.003	0.0066
170	76550-42190	RING,SNAP	2				0.004	0.0088

LIFT LINKAGE [RC60-B] (HST TYPE)



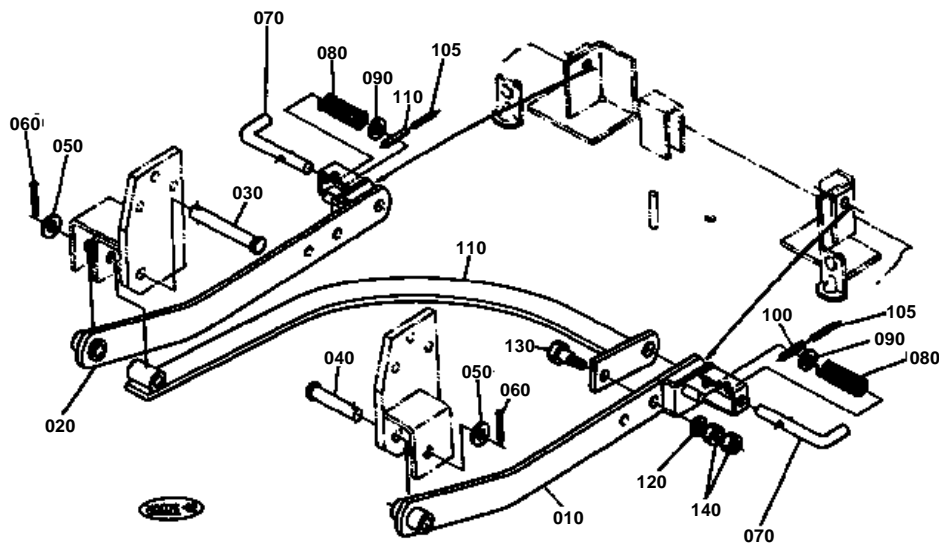


**LIFT LINKAGE [RC60-B] (HST TYPE)**

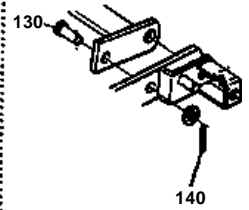
↔ Interchangeable; ≠ not interchangeable; ← new for old; → old for new

REF.No	Part No.	Description	Q'ty	S.No.	I/C	REMARKS	Weight (kgf)	Weight (lb)
010	76539-51110	STAY,FRONT LH	1				1.8	3.96
020	76539-51130	STAY,FRONT RH	1				2.15	4.73
030	01133-51030	BOLT	6				0.025	0.055
040	76539-51150	STAY,REAR LH	1				2.07	4.554
050	76539-51170	STAY,REAR RH	1				1.9	4.18
060	01133-51030	BOLT	6				0.025	0.055
070	76539-51190	FULCRUM,LIFT LH	1				0.52	1.144
080	76539-51210	FULCRUM,LIFT RH	1				0.65	1.43
090	08511-02020	BUSH	6				0.01	0.022
100	76539-51230	SUPPORT	2				0.18	0.396
110	04011-50200	WASHER,PLAIN	4				0.015	0.033
120	05511-50530	PIN,SPLIT	4				0.006	0.0132
130	76539-51250	LINK,LIFT	2				0.42	0.924
140	05122-51235	PIN,JOINT	2				0.034	0.0748
150	04013-50120	WASHER,PLAIN	8				0.007	0.0154
160	76539-51270	PIN,JOINT	2				0.05	0.11
170	05511-50425	PIN,SPLIT	4				0.003	0.0066
180	76550-42190	RING,SNAP	2				0.004	0.0088

REAR LINKAGE [RC60-B]



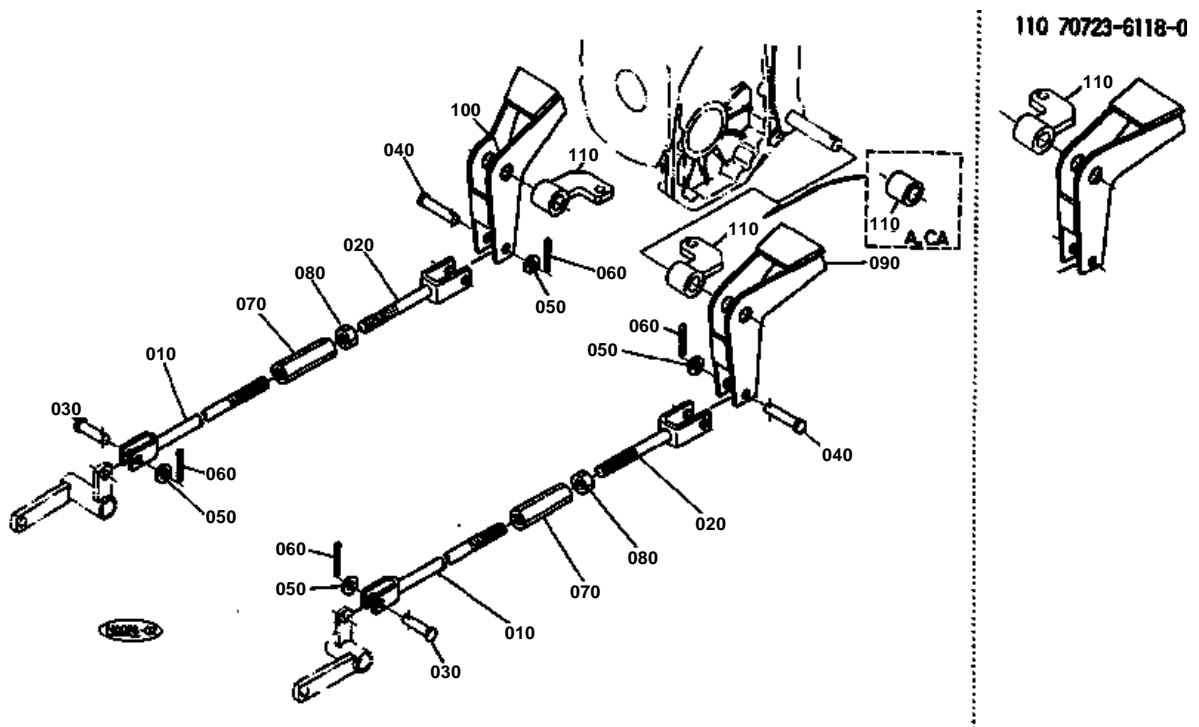
130 05122-51430  
140 05511-50425



**REAR LINKAGE [RC60-B]**

↔ Interchangeable; ≠ not interchangeable; ← new for old; → old for new

REF.No	Part No.	Description	Q'ty	S.No.	I/C	REMARKS	Weight (kgf)	Weight (lb)
010	76539-51290	LINK,REAR LH	1				1.91	4.202
020	76539-51310	LINK,REAR RH	1				1.9	4.18
030	76539-51350	PIN,JOINT	1				0.17	0.374
040	05122-51675	PIN,JOINT	1				0.128	0.2816
050	04011-50160	WASHER,PLAIN	2				0	0
060	05511-50430	PIN,SPLIT	2				0.004	0.0088
070	76539-44650	PIN,HINGE	2				0.19	0.418
080	76539-44670	SPRING,HINGE PIN	2				0.01	0.022
090	04011-50140	WASHER,PLAIN	2				0.007	0.0154
100	05411-00540	PIN,SPRING	2				0.004	0.0088
105	05411-00332	PIN,SPRING	2	>=30579			0.001	0.0022
110	76539-44690	LINK	1				2.4	5.28
120	04011-50140	WASHER,PLAIN	1				0.007	0.0154
130	05122-51430	PIN,JOINT	1	<=20065			0.042	0.0924
130	76539-44700	BOLT	1	>=20066	≠		0.07	0.154
140	05511-50425	PIN,SPLIT	1	<=20065			0.003	0.0066
140	02172-50120	NUT	2	>=20066	≠		0.01	0.022



**LIFT ARM [RC60-B]**

↔ Interchangeable; ≠ not interchangeable; ← new for old; → old for new

REF.No	Part No.	Description	Q'ty	S.No.	I/C	REMARKS	Weight (kgf)	Weight (lb)
010	76530-61130	ROD	2				0.41	0.902
020	70723-61150	ROD	2				0.18	0.396
030	05122-51230	PIN,JOINT	2				0.029	0.0638
040	05122-51260	PIN,JOINT	2				0.055	0.121
050	04011-50120	WASHER,PLAIN	4				0.005	0.011
060	05511-50425	PIN,SPLIT	4				0.003	0.0066
070	37720-28980	TURNBUCKLE	2				0.099	0.2178
080	02174-50120	NUT	2				0.01	0.022
090	76521-61172	ARM,LIFT LH	1				1.2	2.64
100	76530-61170	ARM,LIFT RH	1				1.25	2.75
110	70723-61180	BRACKET,CHECK CHAIN	2	<=11335		[A][CA]	0.29	0.638
110	76539-61180	COLLAR	2	>=11336	←	[A][CA]	0.03	0.066
110	70723-61180	BRACKET,CHECK CHAIN	2			[FR][UK][G]	0.29	0.638

**IMAGE NOT AVAILABLE**

**ACCESSORIES AND SERVICE PARTS [RC60-B]**

↔ Interchangeable; ≠ not interchangeable; ← new for old; → old for new

REF.No	Part No.	Description	Q'ty	S.No.	I/C	REMARKS	Weight (kgf)	Weight (lb)
010	76539-71112	MANUAL,INSTRUCTION	1	<=20484			0.055	0.121
010	76539-71113	MANUAL,INSTRUCTION	1	>=20485	←		0	0
010	76539-71114	MANUAL,INSTRUCTION	1	>=30447	←		0.075	0.165