

# Instructions for Parts Books

The heading at the top of the page will be the same for the picture of the parts as it is for the page with the part numbers.

Definition of column headings on part number pages:

**REF.No** → The number referring to the part on the picture page of the parts book.

**Part No.** → The number assigned to this part at the time of printing the parts book.

**Description** → Description of part.

**Q'ty** → Quantity of part used on that page.

**S.No.** → Serial number range of the equipment that this part will fit.

>= Your serial number should be greater than or equal to the number shown.

<= Your serial number should be lesser than or equal to the serial number shown.

**I/C** → Interchangeability of part shown.

↔ The part shown will work for the older and later serial number.

# The part shown is not interchangeable with the other serial number.

← new for old

→ old for new

**Remarks** → Notes about this particular part. Sometimes this may say except [FR] or [CA]

## Note about Country Codes:

The parts books we use in the United States of America may also contain information about a part that would be different in another country. It is important that you are aware of the country codes in some instances.

Symbol	Country
A	United States of America
CA	Canada
FR	France
GR	Greece
PO	Portugal
AU	Australia

If the remarks column says for example EXCEPT [FR] this part works in all countries except France. That means it will work here in the USA.

ALL PRODUCT INDEX  
RC60-F19

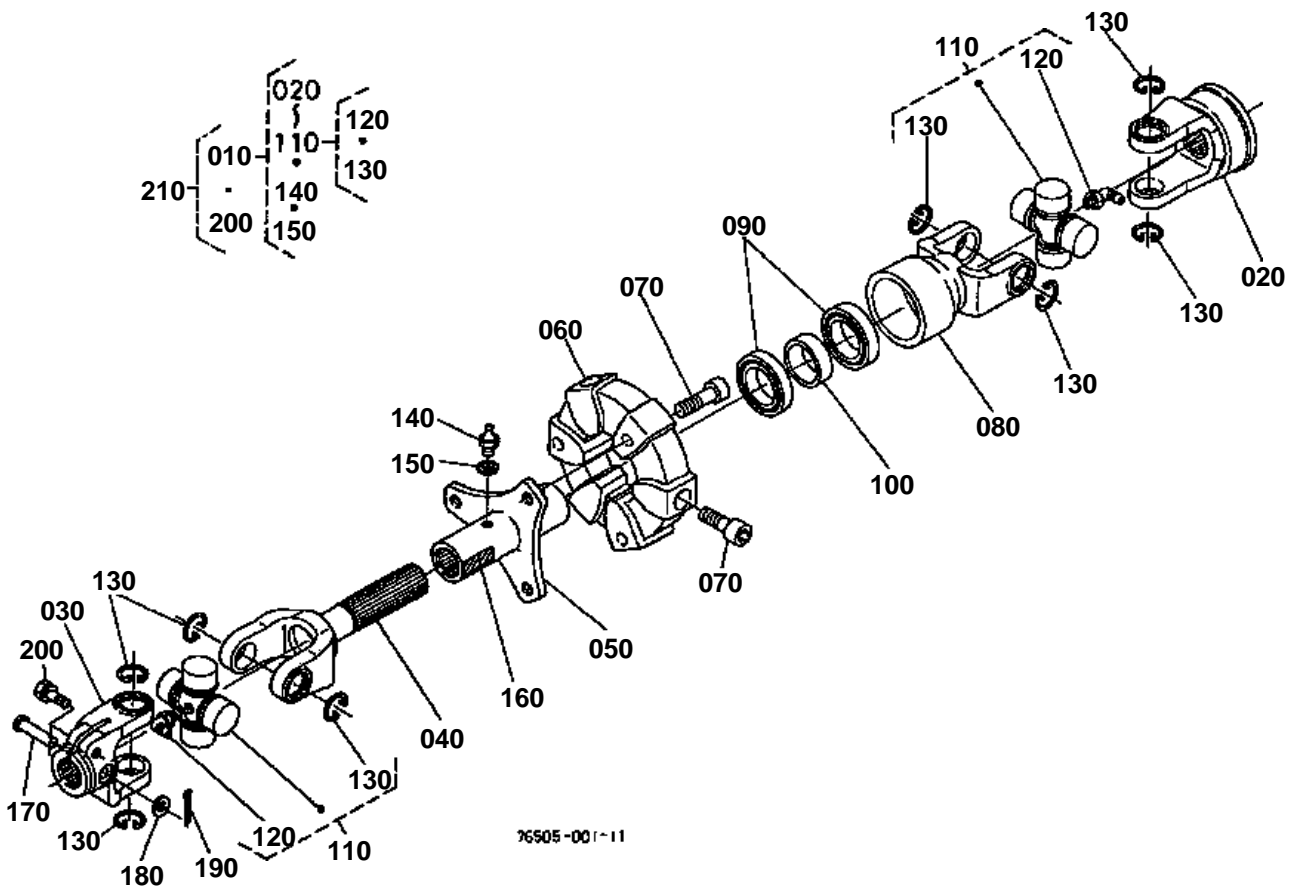
---



MOWER

Item	Part No.	Description	Book
MOWER	01T086	UNIVERSAL JOINT	100K0508
	01T08702	BEVEL CASE/CENTER PULLEY	100K0508
	01T08802	PULLEY HOLDER/BLADE	100K0508
	01T08902	SIDE PULLEY/BLADE	100K0508
	01T090	TENSION PULLEY	100K0508
	01T09102	MOWER DECK	100K0508
	01T092	FRONT GAUGE WHEEL	100K0508
	01T093	ANTI-SCALP ROLLER	100K0508
	01T094	DISCHARGE COVER	100K0508
	01T095	MOWER LINK	100K0508
	01T097	ACCESSORIES AND SERVICE PARTS	100K0508

# UNIVERSAL JOINT



030 76505-3113-0



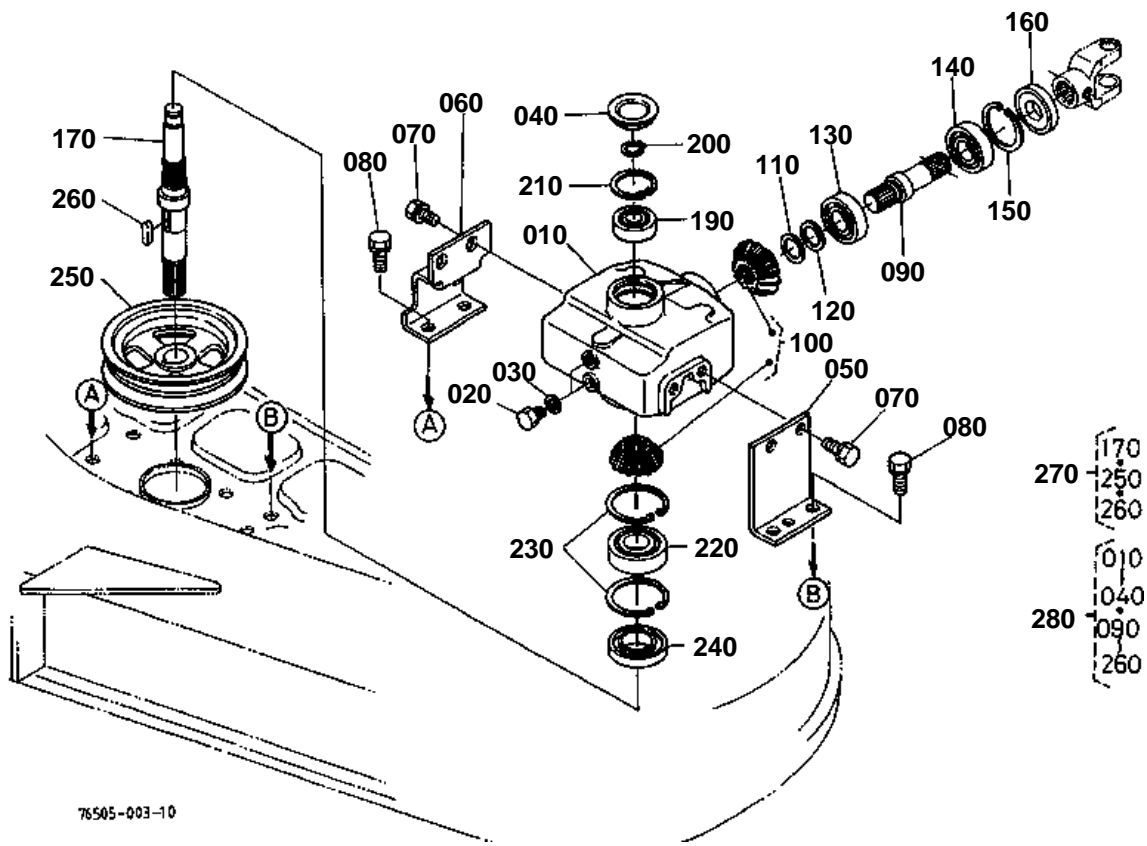
76505-824-10

**UNIVERSAL JOINT**

↔ Interchangeable; ≠ not interchangeable; ← new for old; → old for new

REF.No	Part No.	Description	Q'ty	S.No.	I/C	REMARKS	Weight (kgf)	Weight (lb)
010	K5611-32030	ASSY JOINT UNIVERSAL	1	≤11917			4	8.8
010	K5611-32070	ASSY JOINT UNIVERSAL	1	≥11918	←		4.1	9.02
010	K5611-32034	ASSY JOINT UNIVERSAL	1	≥11978	←		4.02	8.844
020	76539-31150	YOKE QUICK	1				0.55	1.21
030	76505-31130	YOKE PTO	1	≤11917			0.42	0.924
030	76539-31130	YOKE PTO	1	≥11918	←		0.44	0.968
030	K5611-31130	YOKE PTO	1	≥11978	←		0.44	0.968
040	76505-31190	SHAFT JOINT	1				0.9	1.98
050	K5611-31190	FLANGE PIPE	1	≤11977			0	0
050	K5611-31192	FLANGE PIPE	1	≥11978	←		0.48	1.056
060	54611-11210	COUPLING	1	≤11152			0	0
060	16698-85660	COUPLING	1	≥11153	↔		0.05	0.11
070	01315-11030	BOLT HEX-SOC-HD	6				0.025	0.055
080	K5611-31170	YOKE JOINT	1				1	2.2
090	08141-06906	BEARING BALL	2				0.05	0.11
100	K5611-32050	COLLAR	1				0.022	0.0484
110	76539-31180	ASSY JOINT CROSS	2				0.21	0.462
120	76539-31210	NIPPLE GREASE	4				0.01	0.022
130	76539-32120	RING SNAP	8				0.003	0.0066
140	67211-42940	NIPPLE GREASE	1				0.001	0.0022
150	04012-50060	WASHER PLAIN	1				0.001	0.0022
160	76550-31150	MARK	1				0.001	0.0022
170	05122-50845	PIN JOINT	1				0.018	0.0396
180	04012-50080	WASHER PLAIN	1				0.001	0.0022
190	05511-50218	PIN SPLIT	1				0.001	0.0022
200	01123-50840	BOLT	1	≥11925			0.018	0.0396
210	K5611-32070	KIT JOINT UNIVERSAL	1				4.1	9.02

BEVEL CASE/CENTER PULLEY



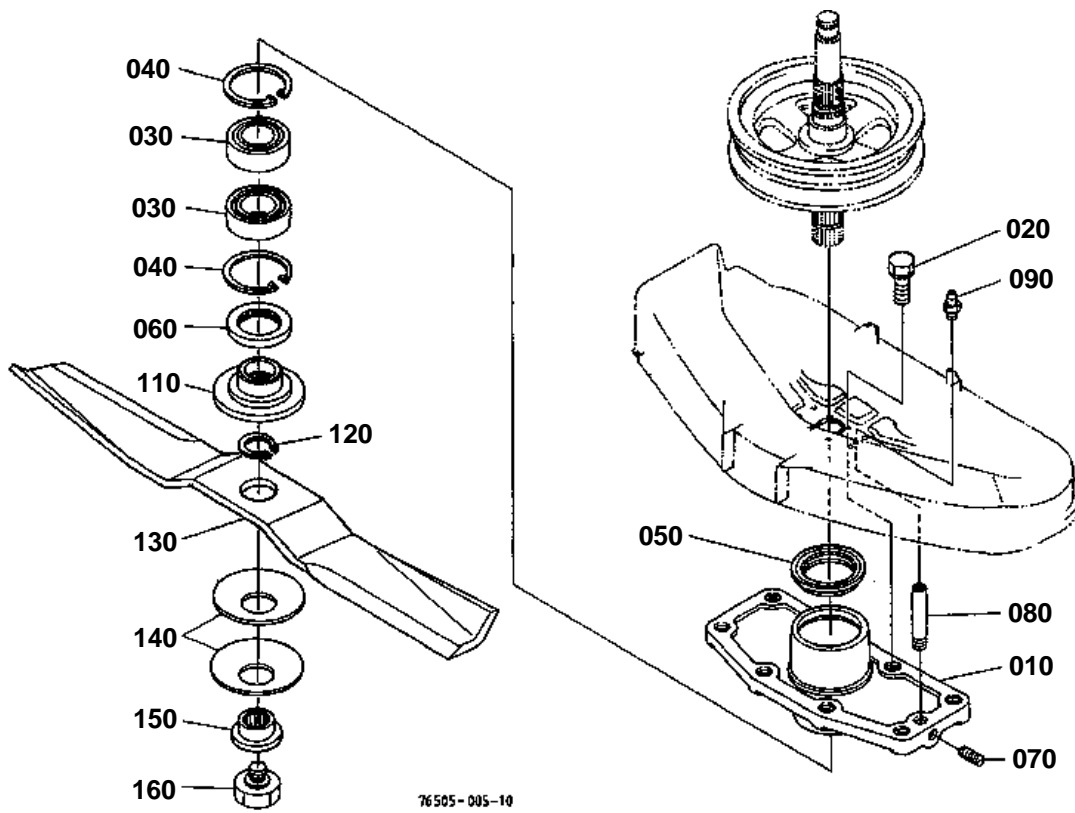
76505-003-10

**BEVEL CASE/CENTER PULLEY**

↔ Interchangeable; ≠ not interchangeable; ← new for old; → old for new

REF.No	Part No.	Description	Q'ty	S.No.	I/C	REMARKS	Weight (kgf)	Weight (lb)
010	76577-33110	CASE BEVEL GEAR	1				4.1	9.02
020	06331-35010	PLUG	2				0.012	0.0264
030	04717-01000	WASHER WITH RUBBER	2				0.001	0.0022
040	55314-22430	CAP ROLLER	1				0.039	0.0858
050	76577-33130	STAY BEVEL CASE LH	1				0.5	1.1
060	76577-33150	STAY BEVEL CASE RH	1				0.5	1.1
070	01133-51222	BOLT	4				0	0
080	01133-51230	BOLT	4				0.04	0.088
090	70722-33310	SHAFT PINION	1				0.46	1.012
100	76543-99020	KIT GEAR BEVEL	1			18-16T	0.45	0.99
110	70720-33350	SHIM	1			0.2MM	0.001	0.0022
120	70720-33360	SHIM	1			0.3MM	0.001	0.0022
130	76546-33380	BEARING BALL	1				0.11	0.242
140	08101-06205	BEARING BALL	1				0.14	0.308
150	04611-00520	CIR CLIP INTERNAL	1				0.009	0.0198
160	76535-33440	SEAL OIL	1				0.02	0.044
170	76577-33500	SHAFT BEVEL GEAR	1				0.73	1.606
190	08101-06303	BEARING BALL	1				0.112	0.2464
200	04612-00170	CIRCLIP EXTERNAL	1				0.001	0.0022
210	04611-00470	CIR CLIP INTERNAL	1				0.006	0.0132
220	08101-06305	BEARING BALL	1				0.23	0.506
230	04611-00620	CIR CLIP INTERNAL	2				0.011	0.0242
240	76535-33530	SEAL OIL	1				0.025	0.055
250	76539-33520	PULLEY CENTER	1				1.65	3.63
260	05712-00728	KEY FEATHER	1				0.01	0.022
270	76577-99030	ASSY PULLEY CENTER	1				0	0
280	76578-99040	ASSY CASE BEVEL GEAR	1				8.2	18.04





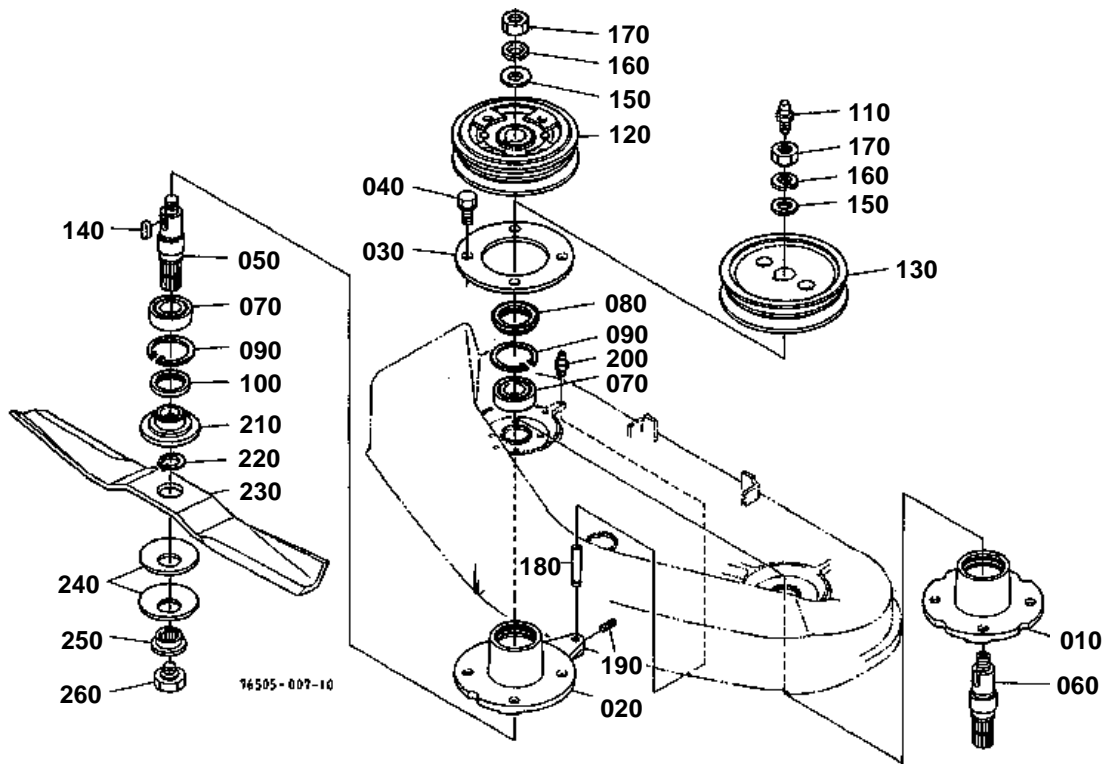


PULLEY HOLDER/BLADE

↔ Interchangeable; ≠ not interchangeable; ← new for old; → old for new

REF.No	Part No.	Description	Q'ty	S.No.	I/C	REMARKS	Weight (kgf)	Weight (lb)
010	76539-34114	HOLDER CENTER PULLEY	1	<=11917			0	0
010	76539-34116	HOLDER CENTER PULLEY	1	>=11918	←		2.75	6.05
020	01133-61222	BOLT	4				0.035	0.077
030	08101-06205	BEARING BALL	2				0.14	0.308
040	04611-00520	CIR CLIP INTERNAL	2				0.009	0.0198
050	70722-34120	SEAL OIL	1				0.025	0.055
060	09500-35528	SEAL OIL	1	<=10993			0.017	0.0374
060	70725-34162	SEAL OIL	1	>=10994	↔		0.024	0.0528
070	03410-50606	SCREW SET	1				0.001	0.0022
080	76539-34132	PIPE EXTENSION	1				0.01	0.022
090	06613-10675	NIPPLE GREASE	1				0.003	0.0066
110	76539-34150	BOSS BLADE	1				0.28	0.616
120	04612-00220	CIRCLIP EXTERNAL	1				0.001	0.0022
130	76539-34330	BLADE	1				1.6	3.52
140	76550-34350	RETAINER BLADE	2				0.075	0.165
150	76539-34390	JOINT BLADE BOSS	1				0	0
160	76539-34372	BOLT LOCKING BLADE	1				0.05	0.11

SIDE PULLEY/BLADE



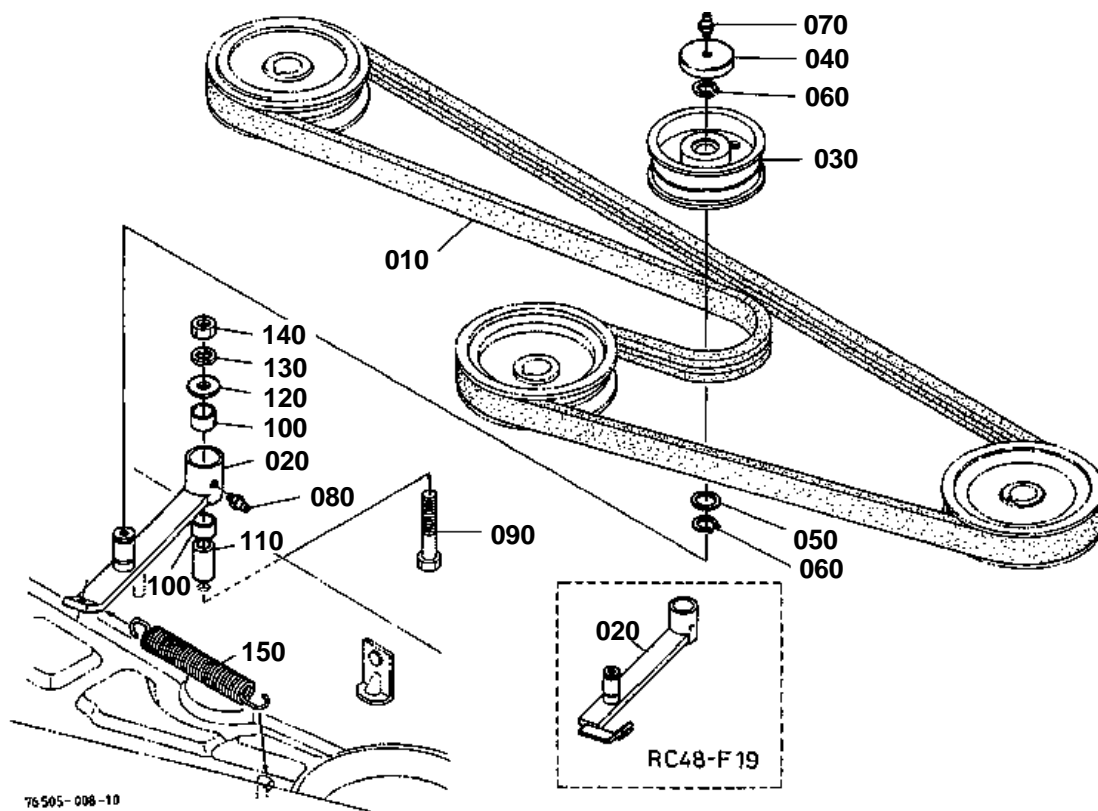


## SIDE PULLEY/BLADE

↔ Interchangeable; ≠ not interchangeable; ← new for old; → old for new

REF.No	Part No.	Description	Q'ty	S.No.	I/C	REMARKS	Weight (kgf)	Weight (lb)
010	76539-34515	HOLDER PULLEY LH	1				2.28	5.016
020	76539-34525	HOLDER PULLEY RH	1				2.4	5.28
030	76539-34323	HOLDER PLATE	2				0.25	0.55
040	01133-51225	BOLT	8				0.038	0.0836
050	76539-34542	SHAFT BLADE RH	1	≤11610			0.515	1.133
050	76539-34544	SHAFT BLADE RH	1	≥11611	≠		0.51	1.122
060	76539-34552	SHAFT BLADE LH	1	≤11610			0.5	1.1
060	76539-34554	SHAFT BLADE LH	1	≥11611	≠		0.48	1.056
070	08101-06205	BEARING BALL	4				0.14	0.308
080	70722-34120	SEAL OIL	2				0.025	0.055
090	04611-00520	CIR CLIP INTERNAL	4				0.009	0.0198
100	09500-35528	SEAL OIL	2	≤10993			0.017	0.0374
100	70725-34162	SEAL OIL	2	≥10994	↔		0.024	0.0528
110	06613-10675	NIPPLE GREASE	1				0.003	0.0066
120	76539-33570	PULLEY SIDE RH	1				1.71	3.762
130	76539-33580	PULLEY SIDE LH	1				1.7	3.74
140	05712-00722	KEY FEATHER	2				0.009	0.0198
150	70721-34560	WASHER PLAIN	2				0.01	0.022
160	70725-33600	WASHER SPRING	2	≤11610			0.015	0.033
160	04512-60160	WASHER SPRING	2	≥11611	≠		0.01	0.022
170	70725-33560	NUT	2	≤11610			0.012	0.0264
170	02172-50160	NUT	2	≥11611	≠		0.017	0.0374
180	76539-34132	PIPE EXTENSION	1				0.01	0.022
190	03410-50606	SCREW SET	1				0.001	0.0022
200	06613-10675	NIPPLE GREASE	1				0.003	0.0066
210	76539-34150	BOSS BLADE	2				0.28	0.616
220	04612-00220	CIRCLIP EXTERNAL	2				0.001	0.0022
230	76539-34330	BLADE	2				1.6	3.52
240	76550-34350	RETAINER BLADE	4				0.075	0.165
250	76539-34390	JOINT BLADE BOSS	2				0	0
260	76539-34372	BOLT LOCKING BLADE	2				0.05	0.11

# TENSION PULLEY



76505-008-10

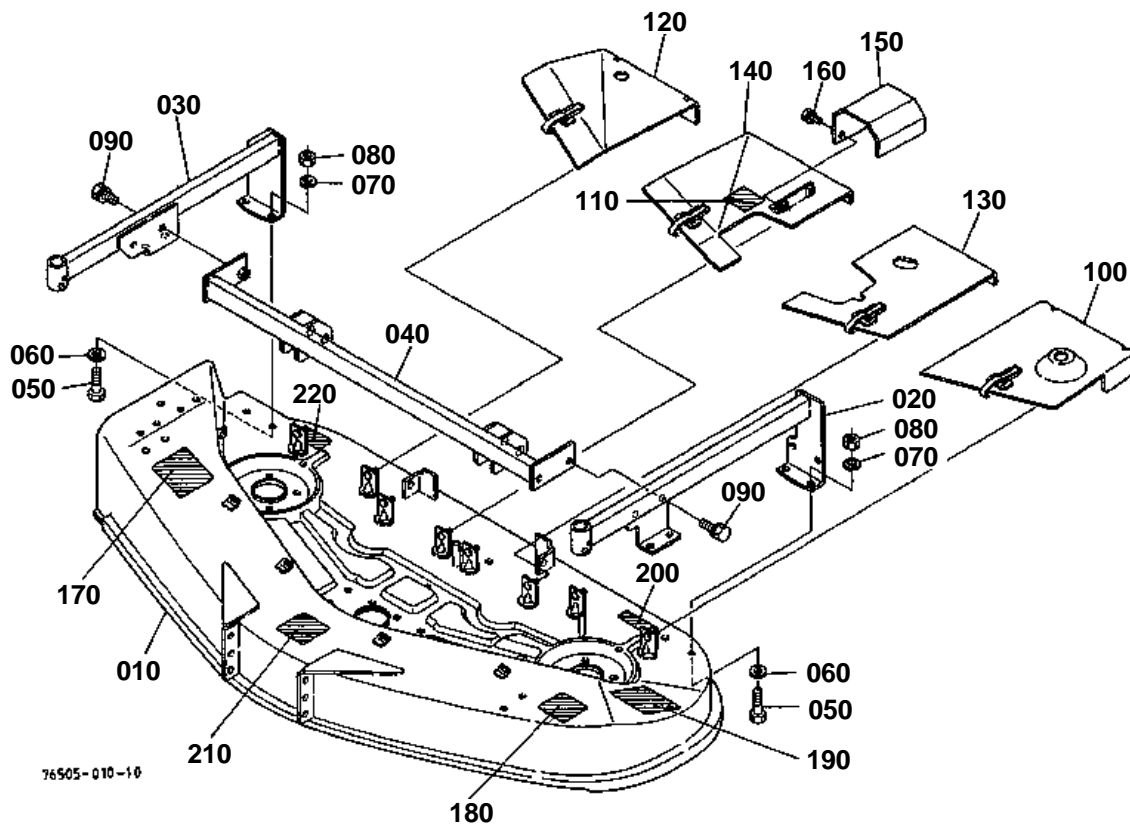


# TENSION PULLEY

↔ Interchangeable; ≠ not interchangeable; ← new for old; → old for new

REF.No	Part No.	Description	Q'ty	S.No.	I/C	REMARKS	Weight (kgf)	Weight (lb)
010	76539-34710	BELT MULTI	1			118 INCH	1.1	2.42
020	76539-34734	ARM TENSION	1				0.6	1.32
030	76539-34883	COMP.PULLEY TENSION	1				0.42	0.924
040	76539-34790	COVER TENSION	1				0.03	0.066
050	76539-34800	SEAL BEARING	1				0.001	0.0022
060	04612-00170	CIRCLIP EXTERNAL	2				0.001	0.0022
070	76539-12100	NIPPLE GREASE	1				0.005	0.011
080	76543-12100	NIPPLE GREASE	1				0.003	0.0066
090	01173-51270	BOLT	1				0.067	0.1474
100	08511-02020	BUSH	2				0.01	0.022
110	76539-34780	COLLAR TENSION	1				0.06	0.132
120	04015-50120	WASHER PLAIN	1				0	0
130	04512-50120	WASHER SPRING	1				0	0
140	02172-50120	NUT	1				0.01	0.022
150	76539-34750	SPRING TENSION	1				0.18	0.396

# MOWER DECK



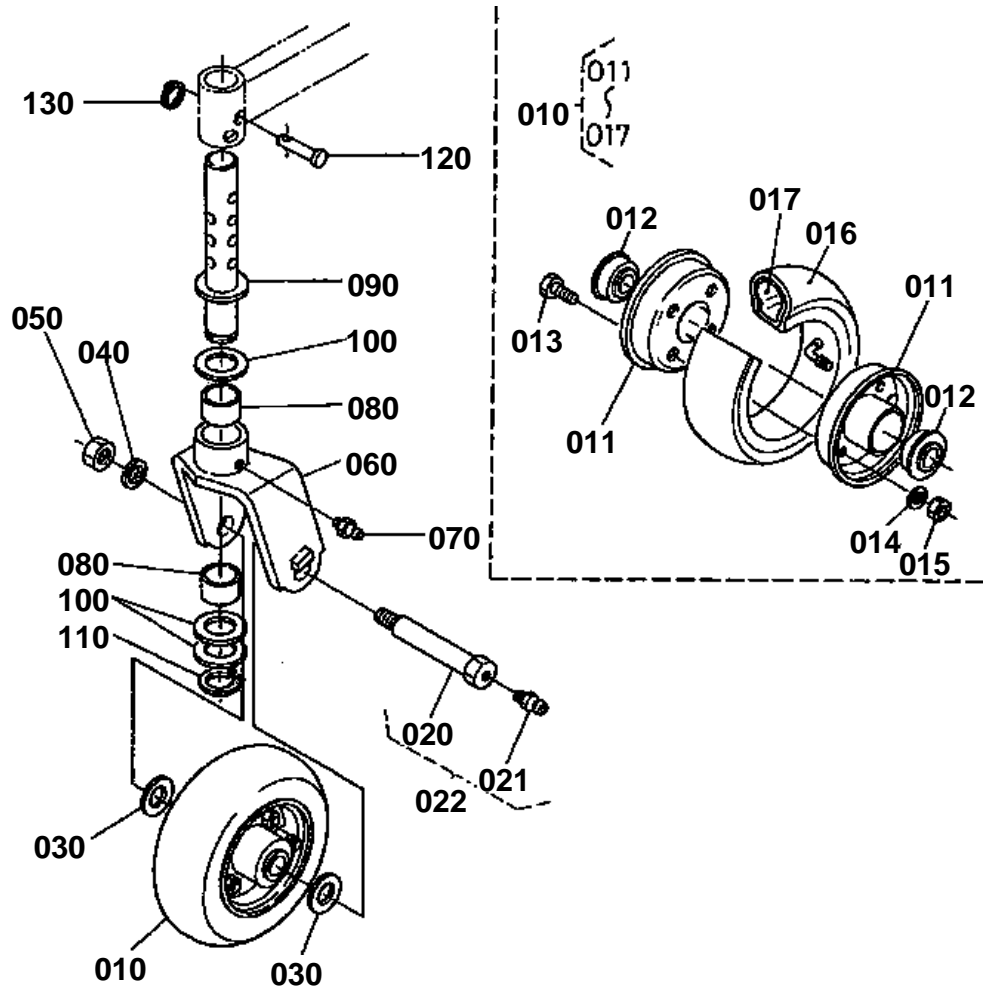
**MOWER DECK**

↔ Interchangeable; ≠ not interchangeable; ← new for old; → old for new

REF.No	Part No.	Description	Q'ty	S.No.	I/C	REMARKS	Weight (kgf)	Weight (lb)
010	K5641-41160	DECK MOWER	1				50	110
020	K5641-41112	FRAME LH	1				5	11
030	K5641-41123	FRAME RH	1				4.7	10.34
040	K5641-41130	FRAME	1				6.52	14.344
050	01173-51028	BOLT	8				0.022	0.0484
060	04015-50100	WASHER PLAIN	8				0.016	0.0352
070	04512-50100	WASHER SPRING	8				0	0
080	02118-50100	NUT	8				0.005	0.011
090	01133-51025	BOLT	4				0.023	0.0506
100	K5641-41260	COVER LH	1				1.6	3.52
110	76539-34830	LABEL GREASE UP	1			ENGLISH	0.002	0.0044
110	76539-34840	LABEL GREASE UP	1			FRENCH	0.002	0.0044
120	K5641-41300	COVER RH	1				0.3	0.66
130	76577-41270	COVER BELT CENTER LH	1				1.25	2.75
140	76577-41280	COVER BELT CENTER RH	1				1.5	3.3
150	76543-32034	COVER JOINT	1				0.48	1.056
160	01123-50816	BOLT	2				0.011	0.0242
170	66071-61780	LABEL CAUTION	1			ENGLISH	0.005	0.011
170	76530-11480	LABEL CAUTION	1			FRENCH	0.005	0.011
180	66071-61790	LABEL CAUTION	1			ENGLISH	0.002	0.0044
180	76530-11420	LABEL CAUTION	1			FRENCH	0.001	0.0022
190	76577-47132	LABEL CUTTING HEIGHT	1			ENGLISH	0.003	0.0066
190	76577-11490	LABEL CUTTING HEIGHT	1			FRENCH	0.005	0.011
200	76611-47682	LABEL ANSI	1				0.001	0.0022
210	76539-34570	LABEL BLADE	1			ENGLISH	0.003	0.0066
210	76507-11340	LABEL BLADE	1			FRENCH	0.003	0.0066

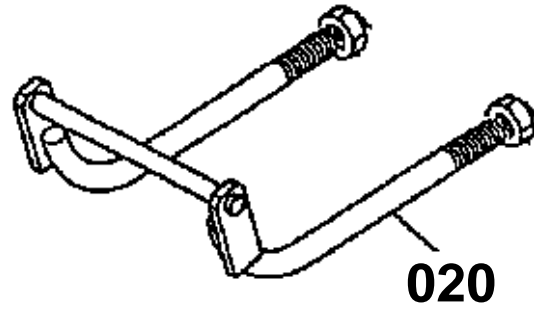


FRONT GAUGE WHEEL



76505-011-12

020 76508-4461-0



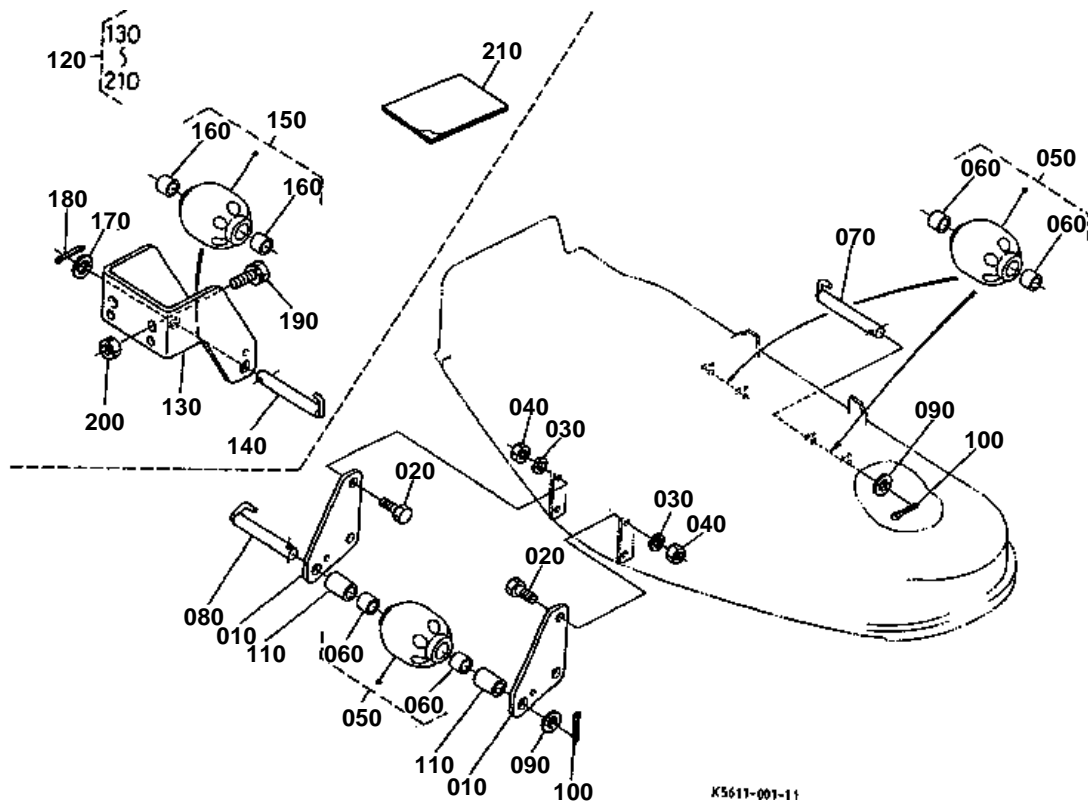
76505-822-10

**FRONT GAUGE WHEEL**

↔ Interchangeable; ≠ not interchangeable; ← new for old; → old for new

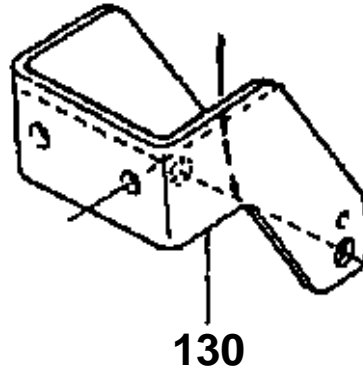
REF.No	Part No.	Description	Q'ty	S.No.	I/C	REMARKS	Weight (kgf)	Weight (lb)
010	K5611-42230	WHEEL	2				1.5	3.3
011	K5611-83110	RIM	4				0.285	0.627
012	K5611-83120	BEARING	4				0.118	0.2596
013	01153-50816	BOLT	8				0.01	0.022
014	04512-50080	WASHER SPRING	8				0	0
015	02114-50080	NUT	8				0.005	0.011
016	K5611-83130	TIRE	2				0.53	1.166
017	K5611-83140	TUBE	2				0.12	0.264
020	K5611-34210	SHAFT WHEEL	2	≤11553			0.31	0.682
020	K5611-81250	SHAFT WHEEL	2	≥11554	←		0.3	0.66
021	06613-10675	NIPPLE GREASE	2	≥11554			0.003	0.0066
022	K5611-81250	ASSY.SHAFT WHEEL	2	≥11611			0.3	0.66
030	04013-50200	WASHER PLAIN	4				0.02	0.044
040	04512-60140	WASHER SPRING	2				0.006	0.0132
050	02174-50140	NUT	2				0.014	0.0308
060	K5611-34200	HOLDER WHEEL	2				1.84	4.048
070	06613-10675	NIPPLE GREASE	2				0.003	0.0066
080	70722-42190	BUSH	4				0.045	0.099
090	K5611-43110	SHAFT FRONT WHEEL	2				1.09	2.398
100	70722-43130	COLLAR FRONT WHEEL	6				0.015	0.033
110	04612-00300	CIRCLIP EXTERNAL	2				0.003	0.0066
120	05122-51055	PIN JOINT	2				0.035	0.077
130	70712-51140	RING SNAP	2				0.009	0.0198

ANTI-SCALP ROLLER



X5611-001-11

130 K5611-8111-0



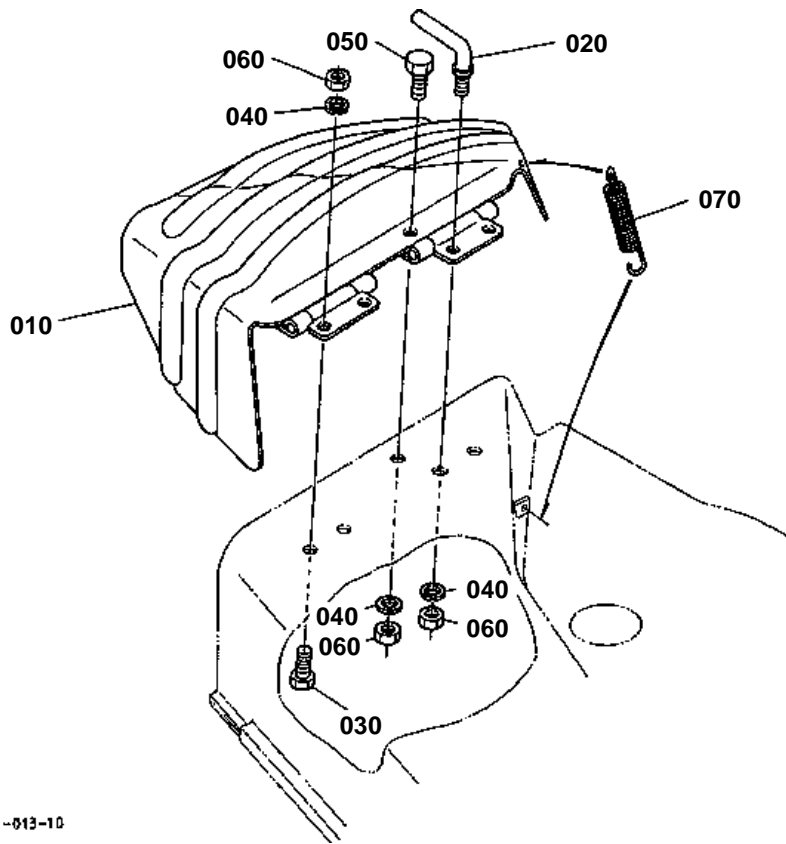
76505-823-10

**ANTI-SCALP ROLLER**

↔ Interchangeable; ≠ not interchangeable; ← new for old; → old for new

REF.No	Part No.	Description	Q'ty	S.No.	I/C	REMARKS	Weight (kgf)	Weight (lb)
010	K5611-46110	STAY	2				0.3	0.66
020	01173-51025	BOLT	4				0.021	0.0462
030	04512-60100	WASHER SPRING	4				0.002	0.0044
040	02118-50100	NUT	4				0.005	0.011
045	04015-60100	WASHER PLAIN	4	>=11329			0.015	0.033
050	76507-46250	ASSY ROLL.ANTI-SCALP	3				0.28	0.616
060	08511-01220	BUSH	6				0.004	0.0088
070	76543-46180	PIN GAUGE WHEEL	2	<=12138			0	0
070	76543-46182	PIN GAUGE WHEEL	2	>=12139	←		0.13	0.286
080	76539-46180	PIN GAUGE WHEEL	1				0.17	0.374
090	04011-50120	WASHER PLAIN	3				0.005	0.011
100	05511-50425	PIN SPLIT	3				0.003	0.0066
110	K5611-46120	COLLAR	2				0.04	0.088
120	K5611-81210	KIT ROLL ANTI-SCALP	1	<=11327		OPTION	4.03	8.866
120	K5611-81212	KIT ROLL ANTI-SCALP	1	>=11328	←	OPTION	0	0
130	K5611-81110	STAY	1	<=11327		OPTION	1.33	2.926
130	K5611-81112	STAY	1	>=11328	←	OPTION	0	0
140	70720-46183	PIN GAUGE WHEEL	1			OPTION	0.125	0.275
150	76507-46250	ASSY ROLL.ANTI-SCALP	1			OPTION	0.28	0.616
160	08511-01220	BUSH	6			OPTION	0.004	0.0088
170	04011-50120	WASHER PLAIN	1			OPTION	0.005	0.011
180	05511-50425	PIN SPLIT	1			OPTION	0.003	0.0066
190	01133-51025	BOLT	2			OPTION	0.023	0.0506
200	02118-50100	NUT	2			OPTION	0.005	0.011
210	K5611-81120	MANUAL INSTRUCTION	1			OPTION	0.001	0.0022

# DISCHARGE COVER



76505-013-10



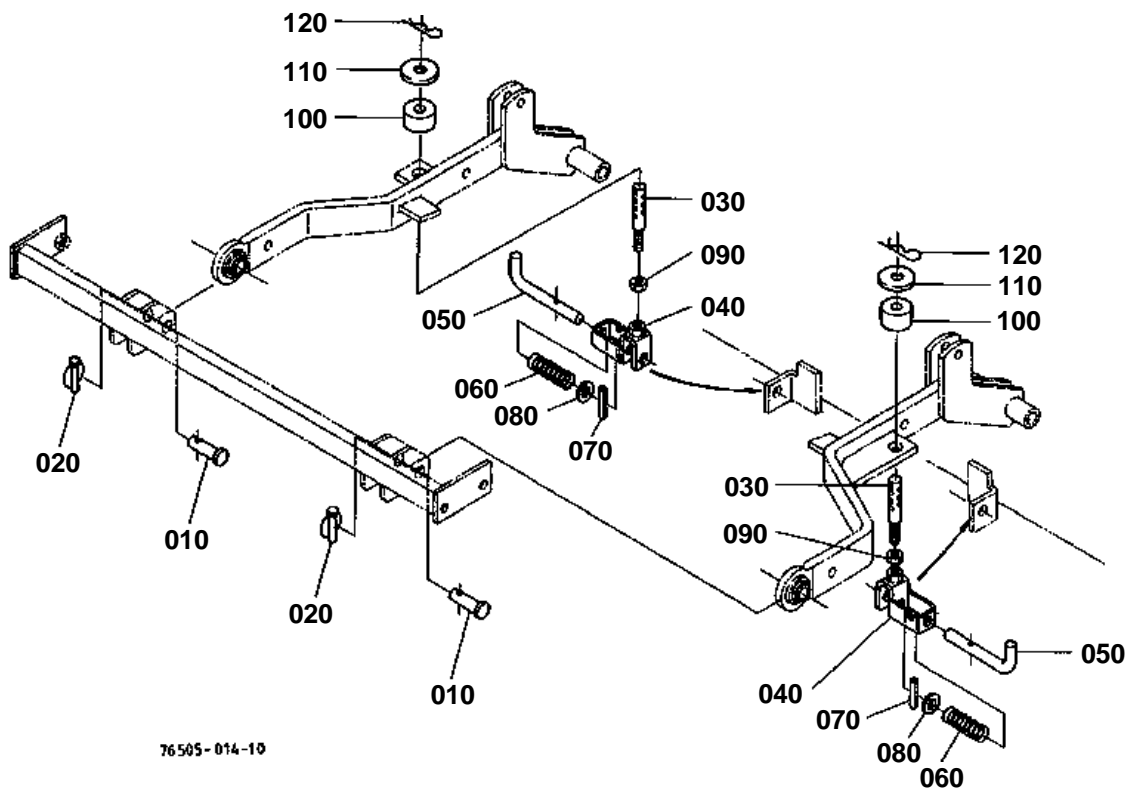
# DISCHARGE COVER

↔ Interchangeable; ≠ not interchangeable; ← new for old; → old for new

REF.No	Part No.	Description	Q'ty	S.No.	I/C	REMARKS	Weight (kgf)	Weight (lb)
010	76539-47115	COVER CHUTE	1				4.5	9.9
020	70721-47130	STOPPER CHUTE	1				0.05	0.11
030	01173-51025	BOLT	3				0.021	0.0462
040	04512-50100	WASHER SPRING	5				0	0
050	01173-51028	BOLT	1				0.022	0.0484
060	02118-50100	NUT	5				0.005	0.011
070	70722-47120	SPRING	1				0.06	0.132



# MOWER LINK



**MOWER LINK**

↔ Interchangeable; ≠ not interchangeable; ← new for old; → old for new

REF.No	Part No.	Description	Q'ty	S.No.	I/C	REMARKS	Weight (kgf)	Weight (lb)
010	31150-71360	PIN JOINT	2				0.166	0.3652
020	34150-37640	PIN SET	2				0.06	0.132
030	K5611-51170	ROD LIFT	2				0.13	0.286
040	76577-51150	HOLDER	2				0.2	0.44
050	76539-44650	PIN HINGE	2				0.19	0.418
060	76539-44670	SPRING HINGE PIN	2				0.01	0.022
070	05411-00540	PIN SPRING	2				0.004	0.0088
080	04011-50140	WASHER PLAIN	2				0.007	0.0154
090	02176-50120	NUT	2				0.01	0.022
100	76543-51210	CUSHION	2				0.046	0.1012
110	76543-51190	WASHER	2				0.07	0.154
120	70451-56320	PIN SNAP	2				0.025	0.055



# ACCESSORIES AND SERVICE PARTS

↔ Interchangeable; ≠ not interchangeable; ← new for old; → old for new

REF.No	Part No.	Description	Q'ty	S.No.	I/C	REMARKS	Weight (kgf)	Weight (lb)
010	K5611-71110	MANUAL INSTRUCTION	1	<=11152			0	0
010	K5611-71112	MANUAL INSTRUCTION	1	>=11153	←		0.054	0.1188