

Instructions for Parts Books

The heading at the top of the page will be the same for the picture of the parts at it is for the page with the part numbers.

Definition of column headings on part number pages:

REF.No → The number referring to the part on the picture page of the parts book.

Part No. → The number assigned to this part at the time of printing the parts book.

Description → Discription of part.

Q'ty → Quantity of part used on that page.

S.No. → Serial number range of the equipment that this part will fit.

>= Your serial number should be greater than or equal to the number shown.

<= Your serial number should be lesser than or equal to the serial number shown.

I/C → Interchangeability of part shown.

↔ The part shown will work for the older and later serial number.

The part shown is not interchangeable with the other serial number.

← new for old

→ old for new

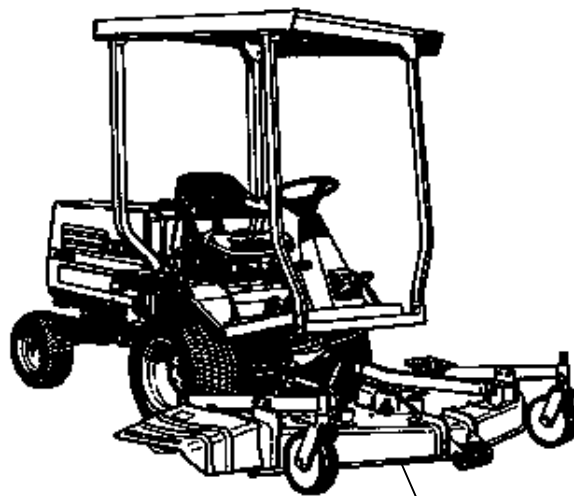
Remarks → Notes about this particulart part. Sometimes this may say except [FR] or [CA]

Note about Country Codes:

The parts books we use in the United States of America may also contain information about a part that would be different in another country. It is important that you are aware of the country codes in some instances.

Symbol	Country
A	United States of America
CA	Canada
FR	France
GR	Greece
PO	Portugal
AU	Australia

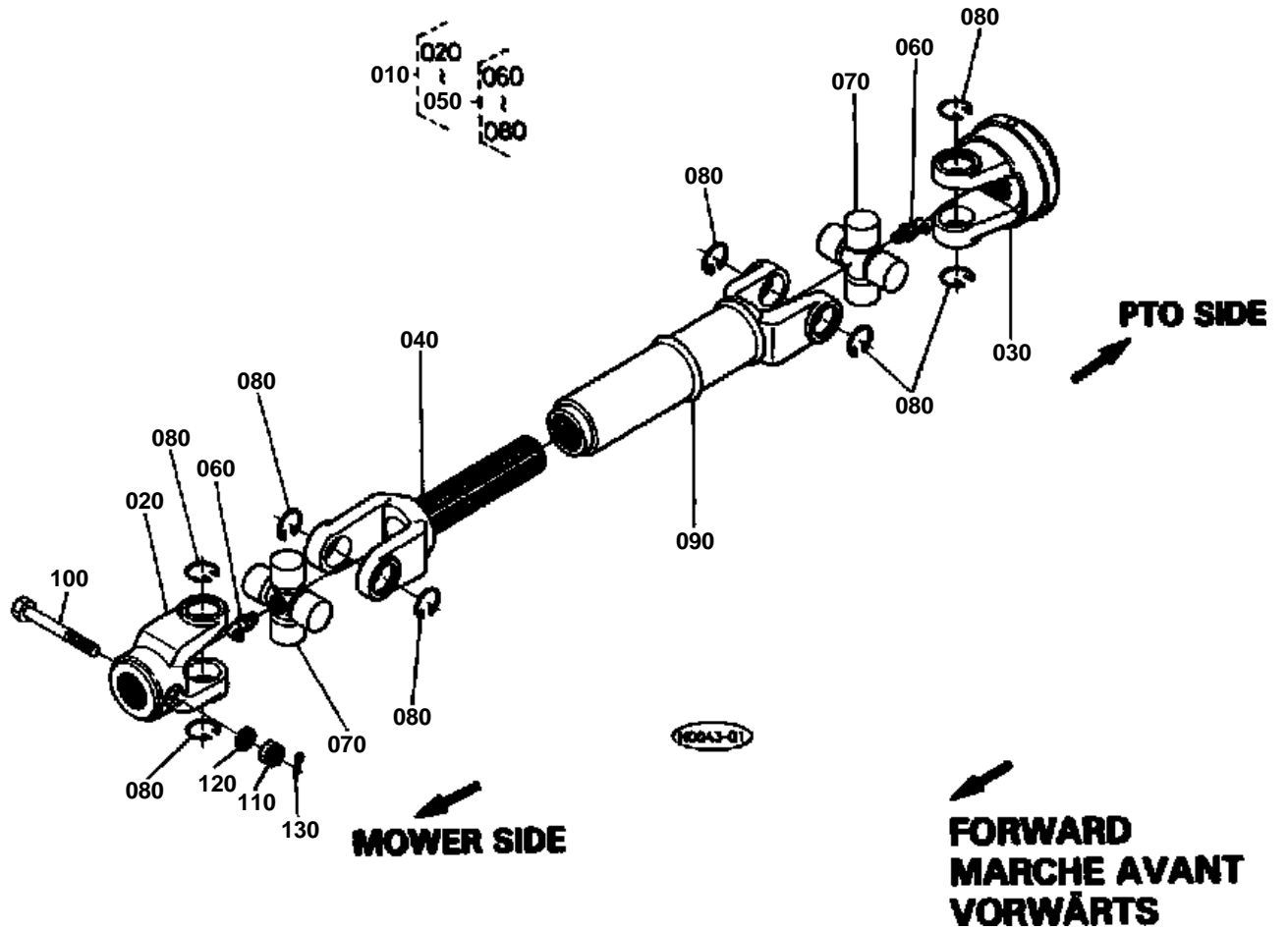
If the remarks column says for example EXCEPT [FR] this part works in all countries except France. That means it will work here in the USA.



MOWER

Item	Part No.	Description	Book
MOWER	01T090	UNIVERSAL JOINT	100K0088
	01T091	BEVEL CASE	100K0088
	01T092	BLADE	100K0088
	01T093	TENSION PULLEY	100K0088
	01T094	MOWER DECK	100K0088
	01T095	WHEEL STAY	100K0088
	01T096	ROLLER (OLD TYPE) [RC60-F20F]	100K0088
	01T09601	ROLLER (NEW TYPE)	100K0088
	01T097	MOWER LINK	100K0088
	01T109	ACCESSORIES AND SERVICE PARTS	100K0088

UNIVERSAL JOINT



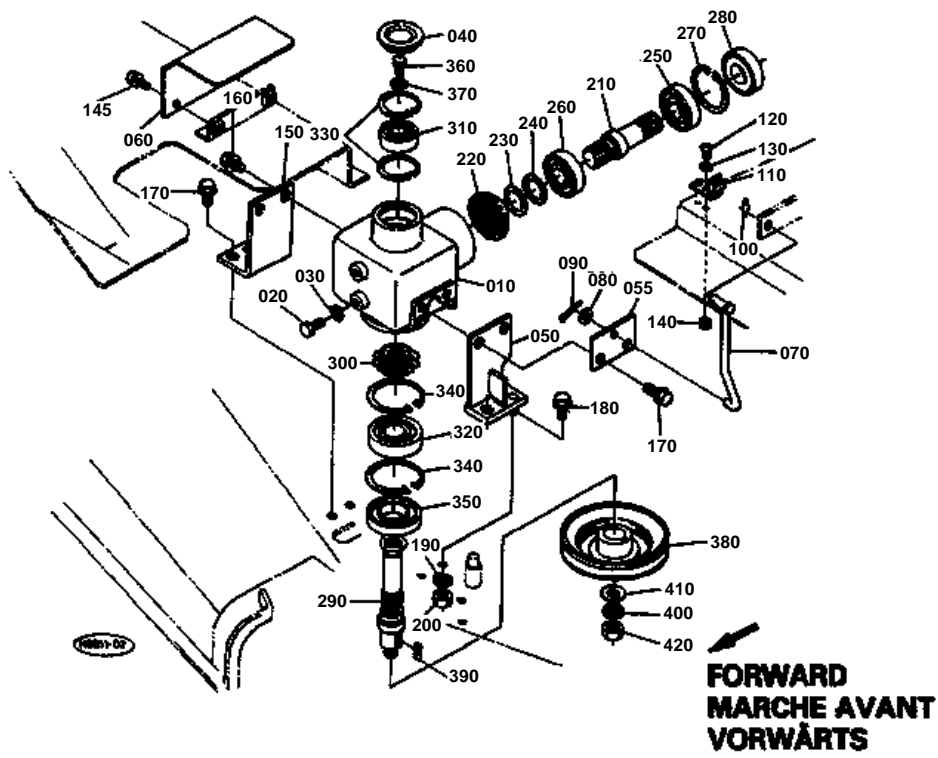


UNIVERSAL JOINT

↔ Interchangeable; ≠ not interchangeable; ← new for old; → old for new

REF.No	Part No.	Description	Q'ty	S.No.	I/C	REMARKS	Weight (kgf)	Weight (lb)
010	76543-32010	JOINT UNIVERSAL	1	<=10080			0	0
010	76543-32070	JOINT UNIVERSAL	1	>=10081	↔		3.5	7.7
020	70722-31130	JOINT	1	>=10081			0	0
030	76543-31140	ASSY YOKE	1	>=10081			0.37	0.814
040	76543-31150	YORK SHAFT	1	>=10081			1.3	2.86
050	70720-32110	ASSY JOINT UNIVERSAL	2	>=10081			0.2	0.44
060	70720-31212	NIPPLE GREASE	2	>=10081			0.006	0.0132
070	70720-31182	JOINT CROSS	2	>=10081			0.21	0.462
080	70720-32120	RING SNAP	8	>=10081			0.001	0.0022
090	76543-31170	YOKE SPLINE	1				1.1	2.42
100	70720-31202	BOLT	1				0.02	0.044
110	02356-50080	NUT	1				0.004	0.0088
120	04512-50080	WASHER SPRING	1				0	0
130	05511-50218	PIN SPLIT	1				0.001	0.0022

BEVEL CASE

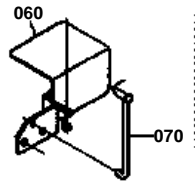


REF. No. 050 70725-3313-0



REF. No. 060 76543-3203-0

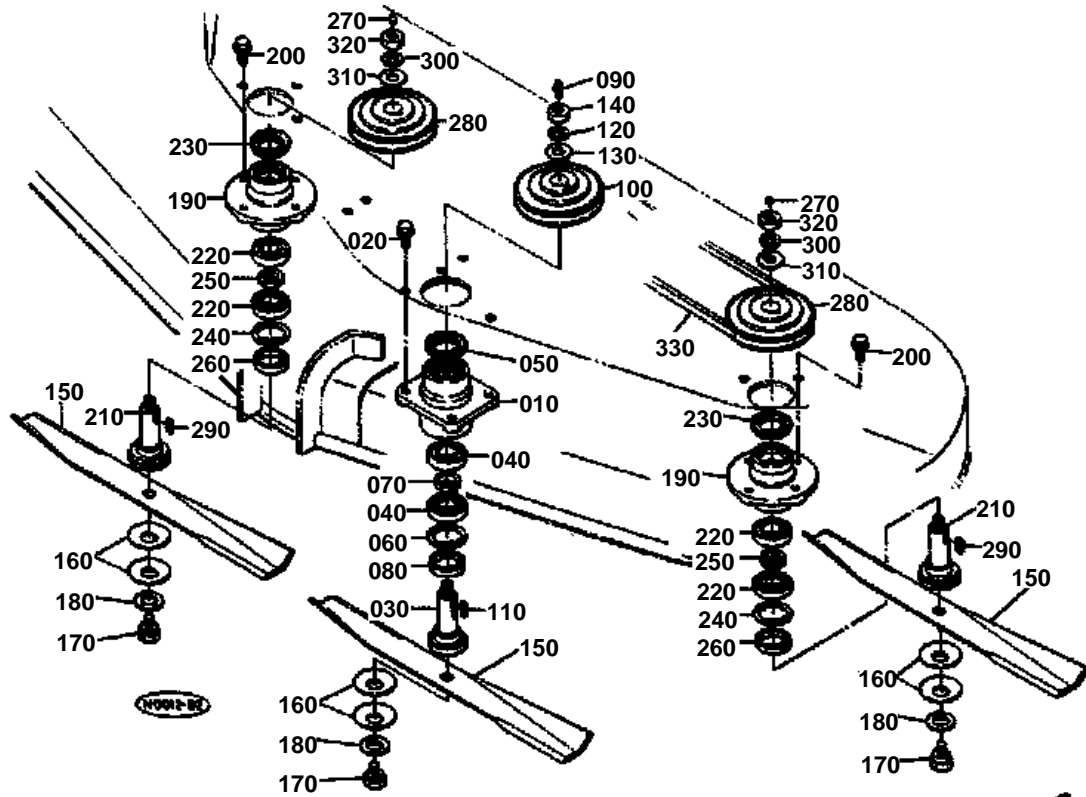
REF. No. 070 76543-3205-0



**BEVEL CASE**

↔ Interchangeable; ≠ not interchangeable; ← new for old; → old for new

REF.No	Part No.	Description	Q'ty	S.No.	I/C	REMARKS	Weight (kgf)	Weight (lb)
010	70725-33110	CASE BEVEL	1				3.4	7.48
020	01173-51014	BOLT	2				0.015	0.033
030	04717-01000	WASHER WITH RUBBER	2				0.001	0.0022
040	55314-22430	CAP ROLLER 2	1				0.039	0.0858
050	70725-33130	STAY BEVEL CASE LH	1	≤10080			0.412	0.9064
050	76543-33130	STAY BEVEL CASE LH	1	≥10081	←		0.5	1.1
055	76543-32040	STAY ROD	1	≥10081			0.064	0.1408
060	76543-32030	COVER JOINT	1	≤10080			0.59	1.298
060	76543-32032	COVER JOINT	1	≥10081	≠		0	0
070	76543-32050	ROD HANGING	1	≤10080			0.08	0.176
070	76543-32052	ROD HANGING	1	≥10081	≠		0.08	0.176
070	76543-32053	ROD HANGING	1	≥10611	≠		0.081	0.1782
080	04012-50080	WASHER PLAIN	1				0.001	0.0022
090	05511-50215	PIN SPLIT	1				0.001	0.0022
100	05515-51000	PIN SNAP	1				0	0
110	33251-83900	SPRING BONNET HOLDER	1				0.008	0.0176
120	03054-50510	SCREW PAN HEAD	2				0.003	0.0066
130	04512-50050	WASHER SPRING	2				0	0
140	02054-50050	NUT	2	≥10081			0.002	0.0044
145	01123-50816	BOLT	2				0	0
150	70725-33150	STAY BEVEL CASE RH	1				0.49	1.078
160	01774-51220	BOLT FLANGE	2				0.03	0.066
170	01774-51225	BOLT FLANGE	4				0.04	0.088
180	01774-51230	BOLT FLANGE	1				0.043	0.0946
190	04512-50120	WASHER SPRING	1				0	0
200	02174-50120	NUT	1				0.01	0.022
210	70722-33310	SHAFT PINION	1				0.46	1.012
220	76543-33330	GEAR SPIRAL BEVEL	1				0.23	0.506
230	70720-33350	SHIM	1				0.001	0.0022
240	70720-33360	SHIM	1				0.001	0.0022
250	08101-06205	BEARING BALL	1				0.14	0.308
260	76546-33380	BEARING BALL	1				0.11	0.242
270	04611-00520	CIR-CLIP INTERNAL	1				0.009	0.0198
280	76535-33440	SEAL OIL	1				0.02	0.044
290	70725-33510	SHAFT BEVEL GEAR	1				0.45	0.99
300	76543-33530	GEAR SPIRAL BEVEL	1				0.22	0.484
310	08101-06303	BEARING BALL	1				0.112	0.2464
320	08101-06305	BEARING BALL	1				0.23	0.506
330	04611-00470	CIR-CLIP INTERNAL	2				0.006	0.0132
340	04611-00620	CIR-CLIP INTERNAL	2				0.011	0.0242
350	76535-33530	SEAL OIL	1				0.025	0.055
360	01123-50818	BOLT	1				0.012	0.0264
370	04015-50080	WASHER PLAIN	1				0	0
380	70725-33550	PULLEY	1	≤11388			0	0
380	70725-99740	PULLEY	1	≥11389	←		0.6	1.32
390	05712-00722	KEY FEATHER	1				0.009	0.0198
400	70725-33600	WASHER SPRING	1				0.015	0.033
410	70721-34560	WASHER PLAIN	1				0.01	0.022
420	70725-33560	NUT	1				0.012	0.0264



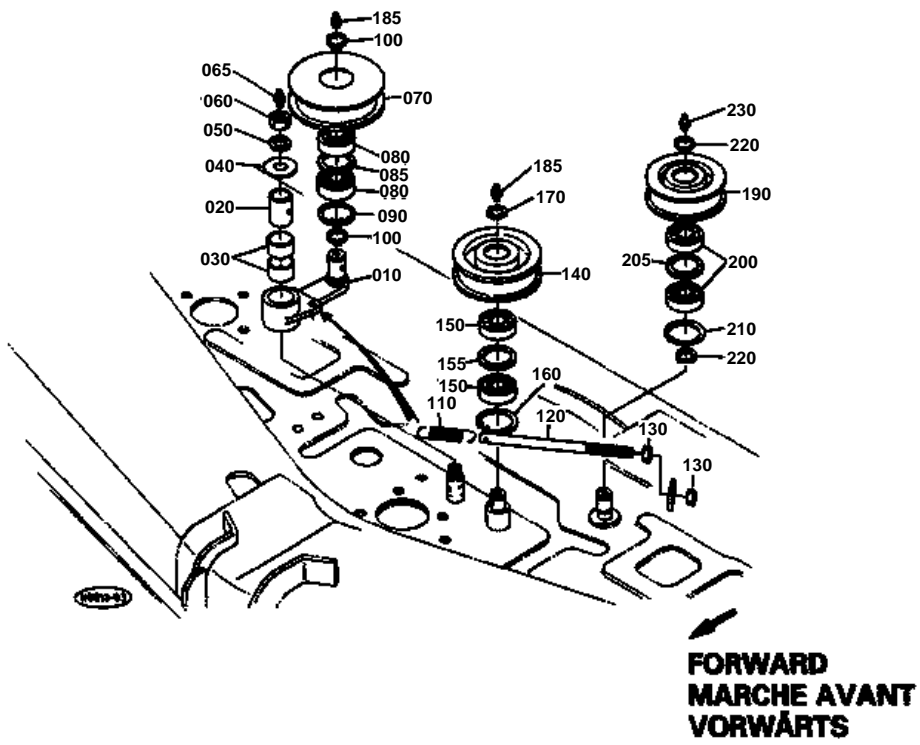
**FORWARD
MARGE AVANT
VORWÄRTS**

**BLADE**

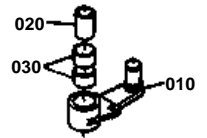
↔ Interchangeable; ≠ not interchangeable; ← new for old; → old for new

REF.No	Part No.	Description	Q'ty	S.No.	I/C	REMARKS	Weight (kgf)	Weight (lb)
010	76543-34110	HOLDER PULLEY	1				1.97	4.334
020	01774-51225	BOLT FLANGE	3				0.04	0.088
030	76535-34530	SHAFT BLADE	1	≤11365			0	0
030	76535-34533	SHAFT BLADE	1	≥11366	←		0.72	1.584
040	76550-34540	BEARING BALL	2				0.13	0.286
050	70722-34120	SEAL OIL	1				0.025	0.055
060	04611-00520	CIR-CLIP INTERNAL	1				0.009	0.0198
070	76550-34550	PIECE DISTANCE	1				0.1	0.22
080	70725-34160	SEAL OIL	1				0	0
090	06613-10675	NIPPLE GREASE	1				0.003	0.0066
100	70725-33550	PULLEY	1	≤11388			0	0
100	70725-99740	PULLEY	1	≥11389	←		0.6	1.32
110	05712-00722	KEY FEATHER	1				0.009	0.0198
120	70725-33600	WASHER SPRING	1				0.015	0.033
130	70721-34560	WASHER PLAIN	1				0.01	0.022
140	70725-33560	NUT	1				0.012	0.0264
150	76540-34330	BLADE	3	≤10884			0	0
150	76540-34333	BLADE	3	≥10885	←		0	0
160	76550-34350	RETAINER BLADE	6				0.075	0.165
170	76550-34373	BOLT LOCKING BLADE	3				0.12	0.264
180	76550-34390	WASHER LOCK	3				0.01	0.022
190	76540-34510	HOLDER PULLEY	2				0	0
200	01774-51225	BOLT FLANGE	8				0.04	0.088
210	76535-34530	SHAFT BLADE	2	≤11365			0	0
210	76535-34533	SHAFT BLADE	2	≥11366	←		0.72	1.584
220	76550-34540	BEARING BALL	4				0.13	0.286
230	70722-34120	SEAL OIL	2				0.025	0.055
240	04611-00520	CIR-CLIP INTERNAL	2				0.009	0.0198
250	76550-34550	PIECE DISTANCE	2				0.1	0.22
260	70725-34160	SEAL OIL	2				0	0
270	06613-10675	NIPPLE GREASE	2				0.003	0.0066
280	70725-33550	PULLEY	2	≤11388			0	0
280	70725-99740	PULLEY	2	≥11389	←		0.6	1.32
290	05712-00722	KEY FEATHER	2				0.009	0.0198
300	70725-33600	WASHER SPRING	2				0.015	0.033
310	70721-34560	WASHER PLAIN	2				0.01	0.022
320	70725-33560	NUT	2				0.012	0.0264
330	70725-34710	BELT	1				0.57	1.254

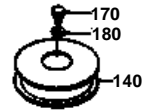
TENSION PULLEY



REF. No. 010 76543-3473-0
 REF. No. 080 76543-3475-0
 REF. No. 030 76546-3488-0



REF. No. 140 70720-8921-2
 REF. No. 170 01123-80816
 REF. No. 180 04015-50080



REF. No. 200 08141-06203

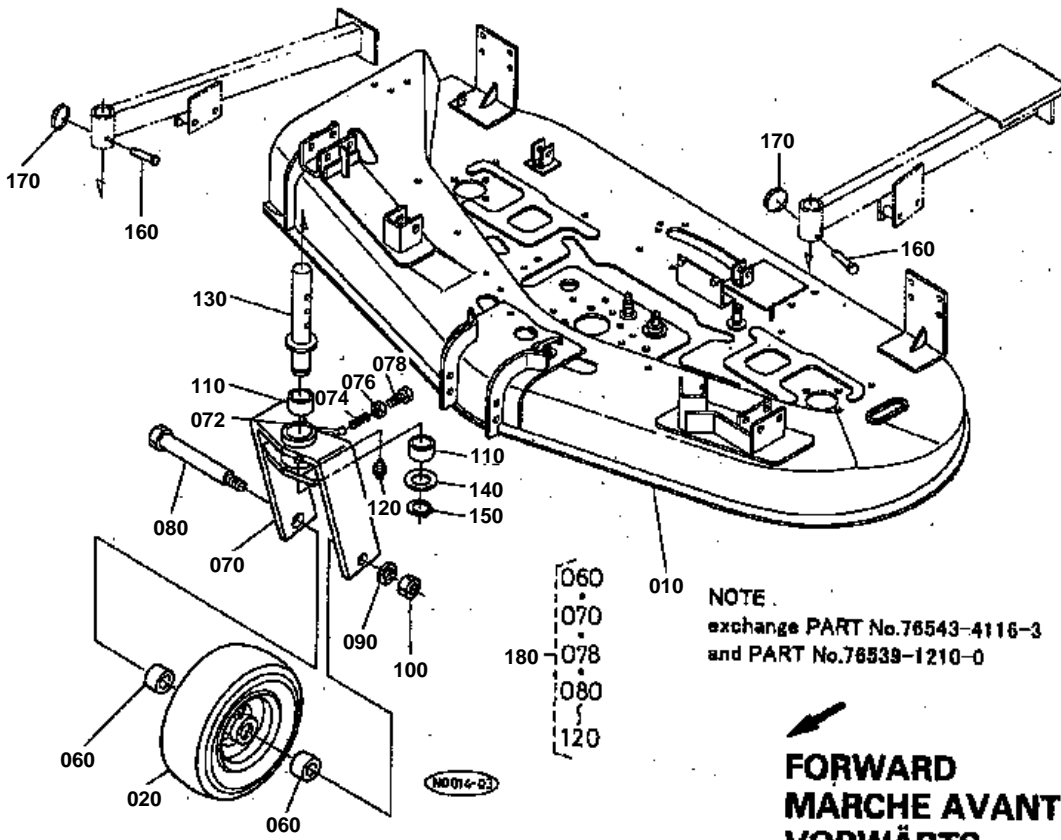


**TENSION PULLEY**

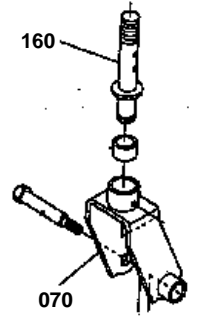
↔ Interchangeable; ≠ not interchangeable; ← new for old; → old for new

REF.No	Part No.	Description	Q'ty	S.No.	I/C	REMARKS	Weight (kgf)	Weight (lb)
010	76543-34730	ARM TENSION	1	≤10080			0.22	0.484
010	76543-34732	ARM TENSION	1	≥10081	≠		0.338	0.7436
020	76543-34750	COLLAR TENSION	1	≤10080			0.05	0.11
020	76543-34752	COLLAR TENSION	1	≥10081	≠		0.05	0.11
030	76546-34880	BUSH	2	≤10080			0	0
030	76543-34780	BUSH	2	≥10081	≠		0.02	0.044
040	04015-50120	WASHER PLAIN	1	≤10080			0	0
040	76543-34760	WASHER	1	≥10081	≠		0.018	0.0396
050	04512-50120	WASHER SPRING	1	≤10080			0	0
050	04512-50140	WASHER SPRING	1	≥10081	≠		0	0
060	02172-50120	NUT	1	≤10080			0.01	0.022
060	02172-50140	NUT	1	≥10081	≠		0.01	0.022
065	06613-10675	NIPPLE GREASE	1	≥10081			0.003	0.0066
065	76543-12100	NIPPLE GREASE	2	≥20262	≠		0.003	0.0066
070	76543-34740	PULLEY TENSION	1				0.7	1.54
080	08141-06203	BEARING BALL	2	≤10080			0.064	0.1408
080	08111-06203	BEARING BALL	2	≥10081	≠		0.065	0.143
085	76543-34720	COLLAR BEARING	1	≥10081			0.008	0.0176
090	04611-00400	CIR-CLIP INTERNAL	1				0.005	0.011
100	04612-00170	CIR-CLIP EXTERNAL	2				0.001	0.0022
110	70722-34750	SPRING TENSION	1				0.15	0.33
120	70722-34770	BOLT TENSION	1	≤10080			0	0
120	70722-34773	BOLT TENSION	1	≥10081	←		0.075	0.165
130	02118-50100	NUT	2				0.005	0.011
140	70720-69212	PULLEY TENSION	1	≤10080			0.97	2.134
140	76543-69210	PULLEY TENSION	1	≥10081	≠		0.9	1.98
150	08141-06203	BEARING BALL	2	≤10080			0.064	0.1408
150	08111-06203	BEARING BALL	2	≥10081	≠		0.065	0.143
155	76543-34720	COLLAR BEARING	1	≥10081			0.008	0.0176
160	04611-00400	CIR-CLIP INTERNAL	1				0.005	0.011
170	01123-50816	BOLT	1	≤10080			0	0
170	04612-00170	CIR-CLIP EXTERNAL	1	≥10081	≠		0.001	0.0022
180	04015-50080	WASHER PLAIN	1	≤10080			0	0
185	06613-10675	NIPPLE GREASE	2	≥10081			0.003	0.0066
185	76543-12100	NIPPLE GREASE	2	≥20262	≠		0.003	0.0066
190	70725-34820	PULLEY TENSION	1	≤10080			0.52	1.144
190	76543-34820	PULLEY TENSION	1	≥10081	≠		0.51	1.122
200	08141-06203	BEARING BALL	2	≤10080			0.064	0.1408
200	08111-06203	BEARING BALL	2	≥10081	≠		0.065	0.143
205	76543-34720	COLLAR BEARING	1	≥10081			0.008	0.0176
210	04611-00400	CIR-CLIP INTERNAL	1				0.005	0.011
220	04612-00170	CIR-CLIP EXTERNAL	2				0.001	0.0022
230	06613-10675	NIPPLE GREASE	1	≤20261			0.003	0.0066
230	76543-12100	NIPPLE GREASE	2	≥20262	≠		0.003	0.0066

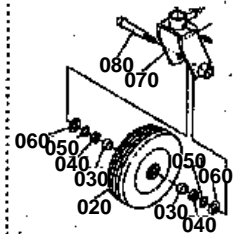
MOWER DECK



REF. No. 070 76543-4215-0
REF. No. 130 70722-4311-0



REF. No. 020 76543-4211-0
REF. No. 080 70722-4419-0
REF. No. 040 09220-20284
REF. No. 050 04611-00280
REF. No. 060 04013-50200
REF. No. 070 70543-4215-3
REF. No. 080 78543-4217-0
REF. No. 120 06613-10675

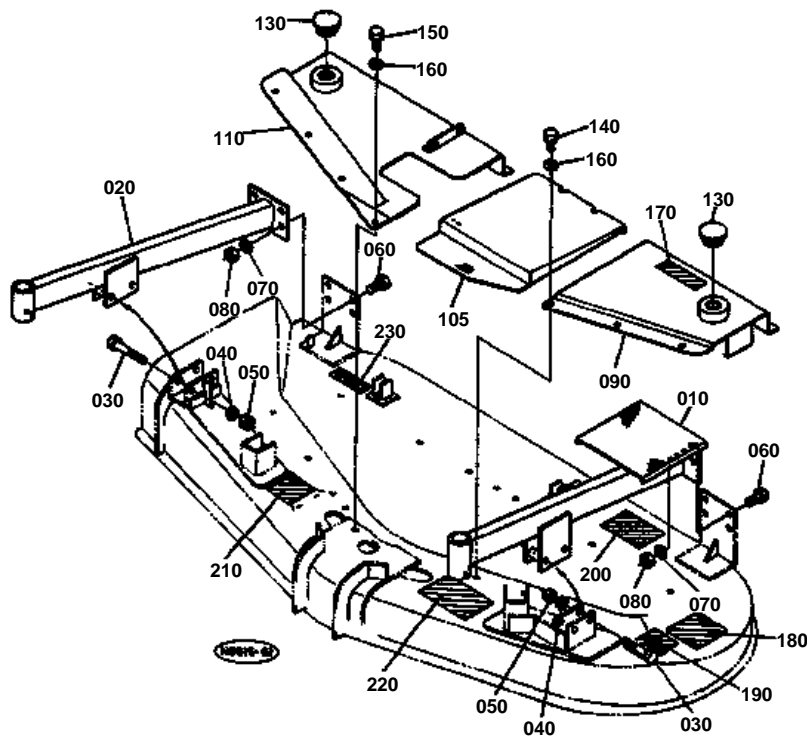


**MOWER DECK**

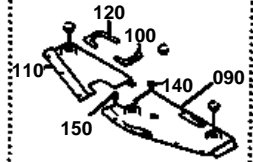
↔ Interchangeable; ≠ not interchangeable; ← new for old; → old for new

REF.No	Part No.	Description	Q'ty	S.No.	I/C	REMARKS	Weight (kgf)	Weight (lb)
010	76543-41160	DECK MOWER	1	<=10080		SEE NOTE	80	176
010	76543-41162	DECK MOWER	1	>=10081	≠	SEE NOTE	75	165
010	76543-41163	DECK MOWER	1	>=20262	≠		58.5	128.7
020	76543-42110	FRONT WHEEL	2	<=20000			3.32	7.304
020	76543-42210	FRONT WHEEL	2	>=20001	≠		0	0
030	70722-44190	BUSH	4	<=20000			0.041	0.0902
040	09220-20284	SEAL OIL	4	<=20000			0.004	0.0088
050	04611-00280	CIR-CLIP INTERNAL	4	<=20000			0.002	0.0044
060	04013-50200	WASHER PLAIN	4	<=20000			0.02	0.044
060	76543-34220	COLLAR	4	>=20001	≠		0.09	0.198
070	76543-42150	SUPPORT FRONT WHEEL	2	<=10610			0	0
070	76543-42153	SUPPORT FRONT WHEEL	2	>=10611	←		2.2	4.84
070	76543-34200	SUPPORT FRONT WHEEL	2	>=20001	←		2.85	6.27
072	07715-00803	BALL	2	>=10081			0.004	0.0088
074	76543-43130	SPRING FRONT WHEEL	2	>=10081			0.01	0.022
076	02172-50120	NUT	2	>=10081			0.01	0.022
078	01173-51230	BOLT	2				0.037	0.0814
078	01173-51225	BOLT	2		↔		0.033	0.0726
080	76543-42170	AXLE FRONT	2	<=20000			0.26	0.572
080	76543-34210	AXLE FRONT	2	>=20001	≠		0.24	0.528
090	04512-50140	WASHER SPRING	2				0	0
100	02174-50140	NUT	2				0.014	0.0308
110	70722-42190	BUSH	4				0.045	0.099
120	06613-10675	NIPPLE GREASE	4	<=20000			0.003	0.0066
120	06613-10675	NIPPLE GREASE	2	>=20001			0.003	0.0066
130	70722-43110	SHAFT FRONT WHEEL	2	<=10610			1.15	2.53
130	76543-43110	SHAFT FRONT WHEEL	2	>=10611	≠		1.1	2.42
140	70722-43130	COLLAR FRONT WHEEL	2				0.015	0.033
150	04612-00300	CIR-CLIP EXTERNAL	2				0.003	0.0066
160	05122-51055	PIN JOINT	2				0.035	0.077
170	70712-51140	RING SNAP	2				0.009	0.0198
180	76543-90010	KIT HOLDER FR-WHEEL	1			OPTION	8	17.6

WHEEL STAY



REF. No. 090 76543-4118-0
REF. No. 100 76543-4122-0
REF. No. 110 76543-4120-0
REF. No. 120 76543-4124-0
REF. No. 140 01754-80812
REF. No. 150 01754-80818



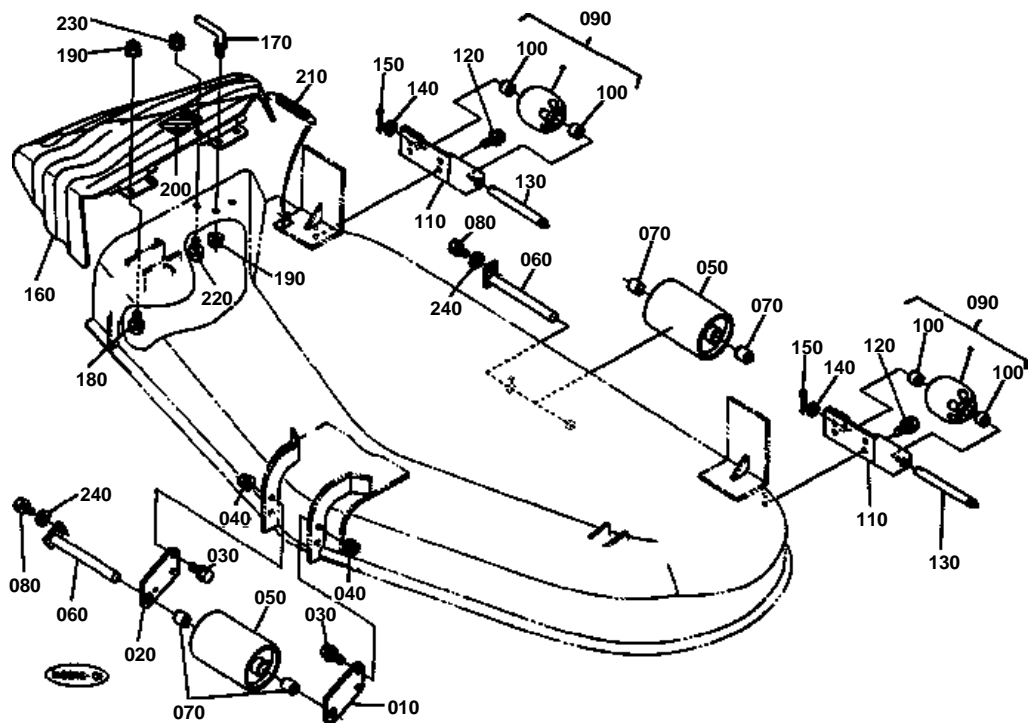


WHEEL STAY

↔ Interchangeable; ≠ not interchangeable; ← new for old; → old for new

REF.No	Part No.	Description	Q'ty	S.No.	I/C	REMARKS	Weight (kgf)	Weight (lb)
010	76543-41120	STAY FRONT WHEEL LH	1	<=10080			6	13.2
010	76543-41122	STAY FRONT WHEEL LH	1	>=10081	≠		6.2	13.64
010	76543-41380	STAY FRONT WHEEL LH	1	>=10611	≠		8	17.6
020	76543-41140	STAY FRONT WHEEL RH	1				0	0
030	01173-51270	BOLT	4				0.067	0.1474
040	04512-50120	WASHER SPRING	4				0	0
050	02176-50120	NUT	4				0.01	0.022
060	01173-51225	BOLT	8				0.033	0.0726
070	04512-50120	WASHER SPRING	8				0	0
080	02176-50120	NUT	8				0.01	0.022
090	76543-41180	COVER LH	1	<=10080			2.48	5.456
090	76543-41260	COVER LH	1	>=10081	≠		0	0
100	76543-41220	SEAL DUST LH	1	<=10080			0.002	0.0044
105	76543-41280	COVER MID.	1	<=10610			0	0
105	76543-41282	COVER MID.	1	>=10611	≠		0	0
110	76543-41200	COVER RH	1	<=10080			2.3	5.06
110	76543-41300	COVER RH	1	>=10081	≠		2.38	5.236
120	76543-41240	SEAL DUST RH	1	<=10080			0.002	0.0044
130	66204-51160	COVER BLIND	3	<=10080			0.007	0.0154
130	66204-51160	COVER BLIND	2	>=10081			0.007	0.0154
140	01754-50812	BOLT FLANGE	11	<=10080			0.01	0.022
140	01123-50814	BOLT	9	>=10081	≠		0	0
150	01754-50818	BOLT FLANGE	4	<=10080			0.011	0.0242
150	01123-50820	BOLT	3	>=10081	≠		0.011	0.0242
160	04013-50080	WASHER PLAIN	12	>=10081			0	0
170	36200-98160	MARK FRONT	1				0.002	0.0044
180	70720-47153	LABEL	1	<=10956			0	0
180	70720-47154	LABEL	1	>=10957	←		0.001	0.0022
190	70712-41142	LABEL	1				0.001	0.0022
200	76543-47130	LABEL CUTTING HEIGHT	1				0.001	0.0022
210	70725-34570	LABEL BLADE	1				0.004	0.0088
220	70725-41290	NAME PLATE BELT	1	<=10080			0	0
220	70725-41293	NAME PLATE BELT	1	>=10081	←		0.002	0.0044
230	76611-47680	LABEL ANSI	1				0	0

ROLLER (OLD TYPE) [RC60-F20F]



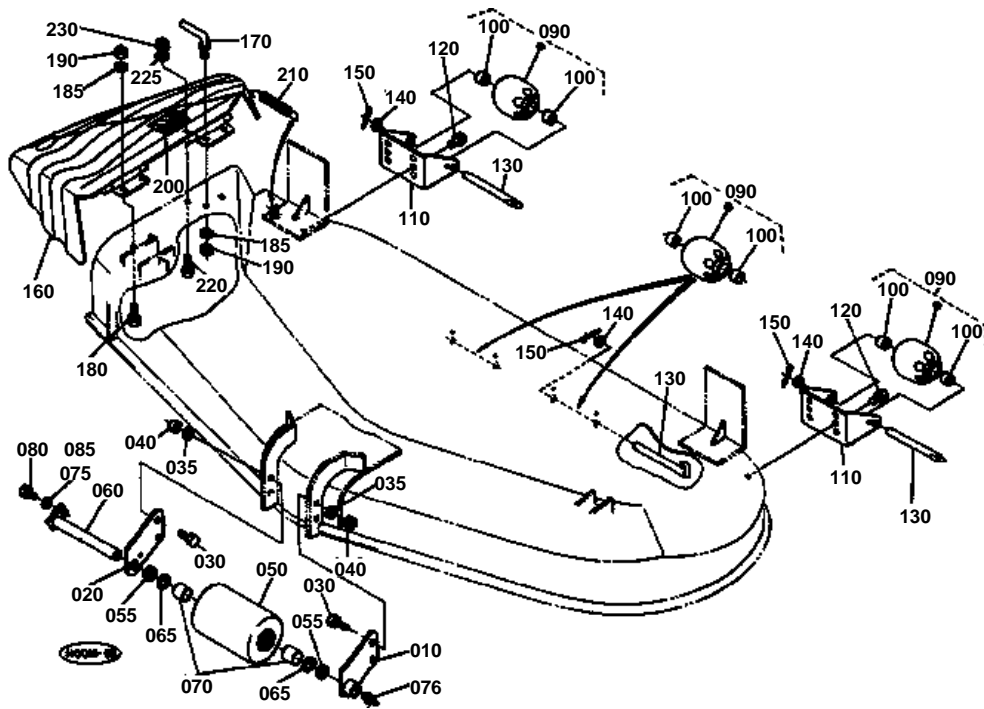


ROLLER (OLD TYPE) [RC60-F20F]
S.No.;<=10080

↔ Interchangeable; ≠ not interchangeable; ← new for old; → old for new

REF.No	Part No.	Description	Q'ty	S.No.	I/C	REMARKS	Weight (kgf)	Weight (lb)
010	76543-46112	STAY LIMIT ROLLER LH	1				0.317	0.6974
020	76543-46130	STAY LIMIT ROLLER RH	1				0.29	0.638
030	01774-51030	BOLT FLANGE	4				0.02	0.044
040	02771-50100	NUT FLANGE	4				0	0
050	76543-46150	ROLLER FRONT	2				2.05	4.51
060	76543-46170	SHAFT FRONT ROLLER	2				0.48	1.056
070	08511-02020	BUSH	4				0.01	0.022
080	01153-50812	BOLT	2				0.008	0.0176
090	76543-46250	ASSY ROLLER ANTI-SCA	2				0	0
100	76543-46210	BUSH	4				0	0
100	08511-01220	BUSH	4		↔		0.004	0.0088
110	76550-46110	STAY ROLLER	2				0.72	1.584
120	01774-51020	BOLT FLANGE	4				0	0
130	70720-46183	PIN GAUGE WHEEL	2				0.125	0.275
140	04011-50120	WASHER PLAIN	2				0.005	0.011
150	05511-50425	PIN SPLIT	2				0.003	0.0066
160	70722-47110	COVER	1				3.85	8.47
170	70721-47130	STOPPER CHUTE	1				0.05	0.11
180	01774-51020	BOLT FLANGE	3				0	0
190	02771-50100	NUT FLANGE	4				0	0
200	70712-47140	LABEL	1				0	0
210	70722-47120	SPRING	1				0.06	0.132
220	01774-51025	BOLT FLANGE	1				0.02	0.044
230	02771-50100	NUT FLANGE	1				0	0
240	04512-50080	WASHER SPRING	1				0	0

ROLLER (NEW TYPE)

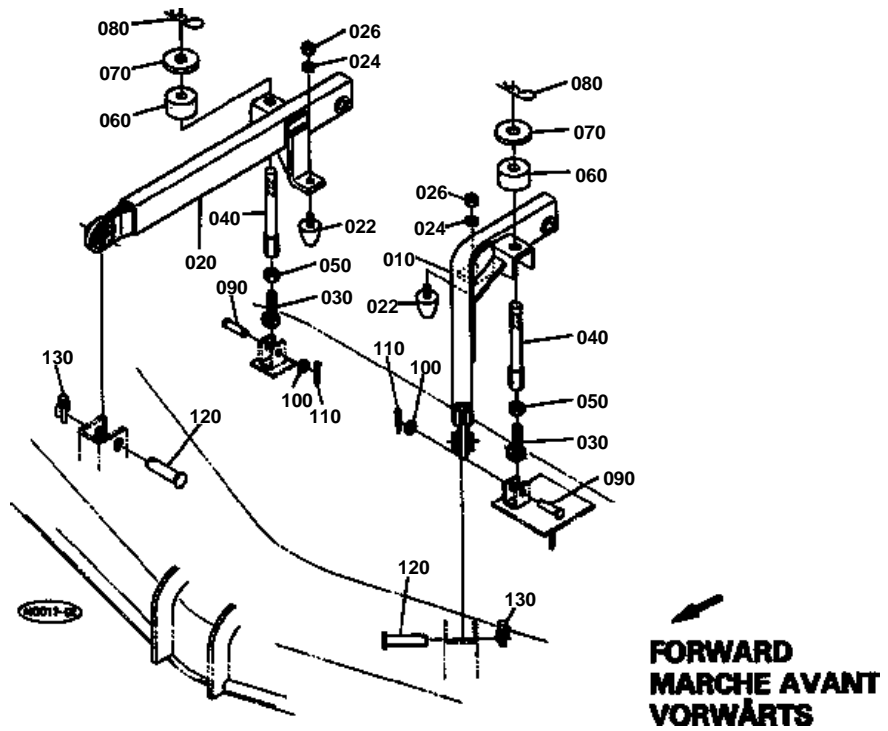




ROLLER (NEW TYPE)
S.No.;>=10081

↔ Interchangeable; ≠ not interchangeable; ← new for old; → old for new

REF.No	Part No.	Description	Q'ty	S.No.	I/C	REMARKS	Weight (kgf)	Weight (lb)
010	76543-46112	STAY LIMIT ROLLER LH	1				0.317	0.6974
020	76543-46130	STAY LIMIT ROLLER RH	1				0.29	0.638
030	01173-51028	BOLT	4				0.022	0.0484
035	04512-50100	WASHER SPRING	4				0	0
040	02118-50100	NUT	4				0.005	0.011
050	76543-46160	ROLLER	1				2.1	4.62
055	09220-20284	SEAL OIL	2				0.004	0.0088
060	70722-44170	SHAFT WHEEL	1				0	0
065	04611-00280	CIR-CLIP INTERNAL	2				0.002	0.0044
070	70722-44190	BUSH	2				0.041	0.0902
075	04512-50080	WASHER SPRING	2				0	0
076	06613-10010	NIPPLE GREASE	1				0.006	0.0132
080	01153-50812	BOLT	2				0.008	0.0176
085	04013-50200	WASHER PLAIN	2				0.02	0.044
090	76543-46250	ASSY BOLL ANTI-SCALP	4				0	0
100	76543-46210	BUSH	8				0	0
100	08511-01220	BUSH	8		↔		0.004	0.0088
110	76543-46140	STAY ROLLER	2				0.75	1.65
120	01133-51022	BOLT	4				0.025	0.055
130	76543-46180	PIN GAUGE WHEEL	4				0	0
140	04011-50120	WASHER PLAIN	4				0.005	0.011
150	05511-50425	PIN SPLIT	4				0.003	0.0066
160	70722-47110	COVER	1				3.85	8.47
170	70721-47130	STOPPER CHUTE	1				0.05	0.11
180	01173-51020	BOLT	3				0.017	0.0374
185	04512-50100	WASHER SPRING	4				0	0
190	02118-50100	NUT	4				0.005	0.011
200	70712-47142	LABEL	1				0.001	0.0022
210	70722-47120	SPRING	1				0.06	0.132
220	01173-51025	BOLT	1				0.021	0.0462
225	04512-50100	WASHER SPRING	1				0	0
230	02118-50100	NUT	1				0.005	0.011



**MOWER LINK**

↔ Interchangeable; ≠ not interchangeable; ← new for old; → old for new

REF.No	Part No.	Description	Q'ty	S.No.	I/C	REMARKS	Weight (kgf)	Weight (lb)
010	76543-51110	LINK MOWER LH	1				5.5	12.1
020	76543-51130	LINK MOWER RH	1				3.9	8.58
022	48100-51530	DUMPER	2				0.05	0.11
024	04512-50080	WASHER SPRING	2				0	0
026	02114-50080	NUT	2				0.005	0.011
030	76543-51150	END ROD	2				0.095	0.209
040	76543-51170	ROD LIFTING	2				0.228	0.5016
050	02114-50120	NUT	2				0.011	0.0242
060	31351-29270	CUSHION LOWER	2	<=10610			0.045	0.099
060	76543-51210	CUSHION	2	>=10611	≠		0.046	0.1012
070	76543-51190	WASHER	2				0.07	0.154
080	33251-91860	PIN SNAP	2				0.023	0.0506
090	05122-51240	PIN JOINT	2				0.039	0.0858
100	04011-50120	WASHER PLAIN	2				0.005	0.011
110	05511-50425	PIN SPLIT	2				0.003	0.0066
120	31150-71360	PIN JOINT	2				0.166	0.3652
130	34150-37640	PIN SET	2				0.06	0.132

IMAGE NOT AVAILABLE



ACCESSORIES AND SERVICE PARTS

↔ Interchangeable; ≠ not interchangeable; ← new for old; → old for new

REF.No	Part No.	Description	Q'ty	S.No.	I/C	REMARKS	Weight (kgf)	Weight (lb)
010	76540-99650	KIT BLADE	1				4.8	10.56
020	76540-34330	BLADE	3	≤10956			0	0
020	76540-34333	BLADE	3	≥10957	←		0	0
030	76550-34350	RETAINER BLADE	6				0.075	0.165
040	76550-34390	WASHER LOCK	3				0.01	0.022
050	76550-34373	BOLT BLADE	3				0.12	0.264
060	70713-99630	MANUAL	1				0.01	0.022
070	76540-99030	KIT BLADE	1				4.7	10.34
070	76540-99670	KIT BLADE LOW SUCTION	1		≠		5.8	12.76
080	76540-99020	BLADE LOW SUCTION	3	≤10956			0	0
080	76540-99022	BLADE LOW SUCTION	3	≥10957	←		0	0
090	76544-61100	KIT SPPING LIFT	1				4.5	9.9
100	76544-61110	ASSY SPRING LIFT	1				0.95	2.09
110	76544-61210	MANUAL LIFT SPRING	1				0	0
120	70725-99740	PULLEY CENTER	1				0.6	1.32
130	76543-71110	MANUAL INSTRUCTION	1	≤10080		RC60-F20	0	0
130	76543-71112	MANUAL INSTRUCTION	1	≥10081	≠	RC60-F20	0	0
140	76543-90010	KIT HOLDER FR-WHEEL	1				8	17.6
150	76543-34180	ASSY HOLDER FRO-WHEE	2				3.25	7.15
160	70722-42190	BUSH	2				0.045	0.099