

Instructions for Parts Books

The heading at the top of the page will be the same for the picture of the parts as it is for the page with the part numbers.

Definition of column headings on part number pages:

REF.No → The number referring to the part on the picture page of the parts book.

Part No. → The number assigned to this part at the time of printing the parts book.

Description → Description of part.

Q'ty → Quantity of part used on that page.

S.No. → Serial number range of the equipment that this part will fit.

>= Your serial number should be greater than or equal to the number shown.

<= Your serial number should be lesser than or equal to the serial number shown.

I/C → Interchangeability of part shown.

↔ The part shown will work for the older and later serial number.

The part shown is not interchangeable with the other serial number.

← new for old

→ old for new

Remarks → Notes about this particular part. Sometimes this may say except [FR] or [CA]

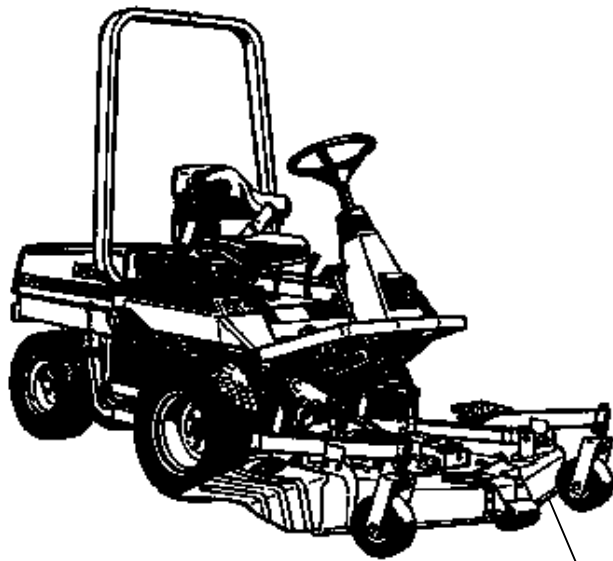
Note about Country Codes:

The parts books we use in the United States of America may also contain information about a part that would be different in another country. It is important that you are aware of the country codes in some instances.

Symbol	Country
A	United States of America
CA	Canada
FR	France
GR	Greece
PO	Portugal
AU	Australia

If the remarks column says for example EXCEPT [FR] this part works in all countries except France. That means it will work here in the USA.

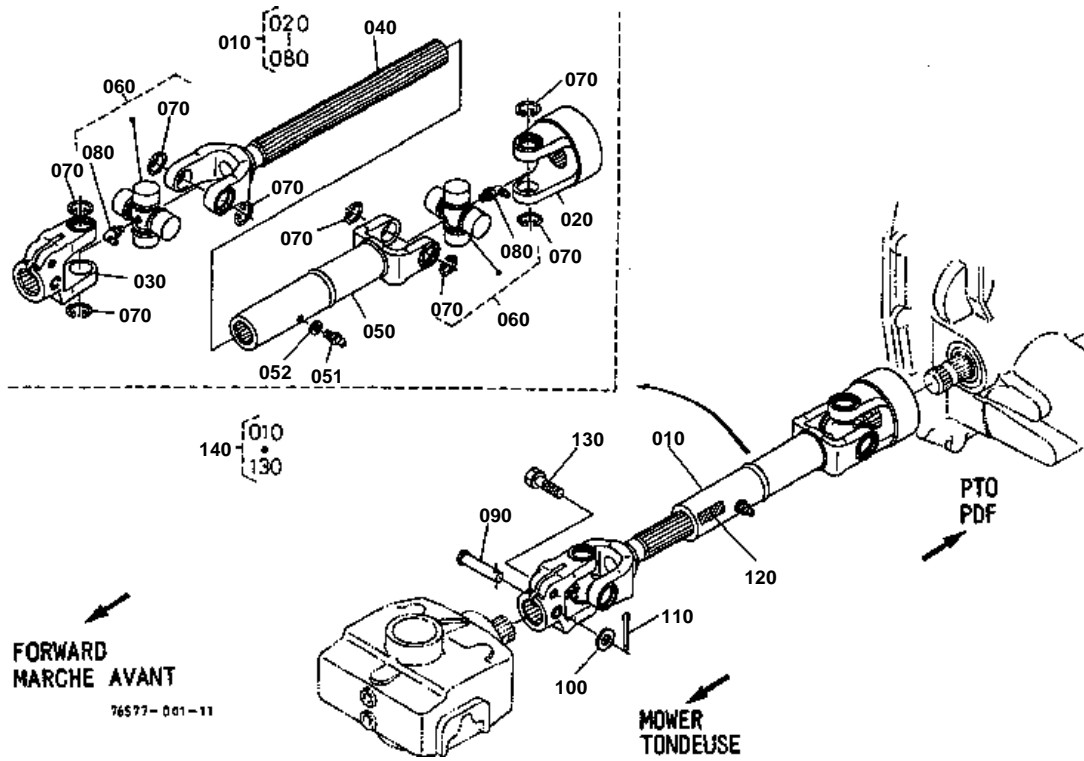
ALL PRODUCT INDEX
RC60-FZ21



MOWER

Item	Part No.	Description	Book
MOWER	01G09601	UNIVERSAL JOINT	100K0496
	01G09701	BEVEL CASE/CENTER PULLEY	100K0496
	01G09801	PULLEY HOLDER/BLADE	100K0496
	01G09901	SIDE PULLEY/BLADE	100K0496
	01G100	TENSION PULLEY	100K0496
	01G10101	MOWER DECK	100K0496
	01G10201	WHEEL STAY/COVER/LABEL	100K0496
	01G10301	ANTI-SCALP ROLLER	100K0496
	01G10401	MOWER LINK	100K0496
	01G10501	LIFT ROD	100K0496
	01G107	ACCESSORIES AND SERVICE PARTS	100K0496

UNIVERSAL JOINT



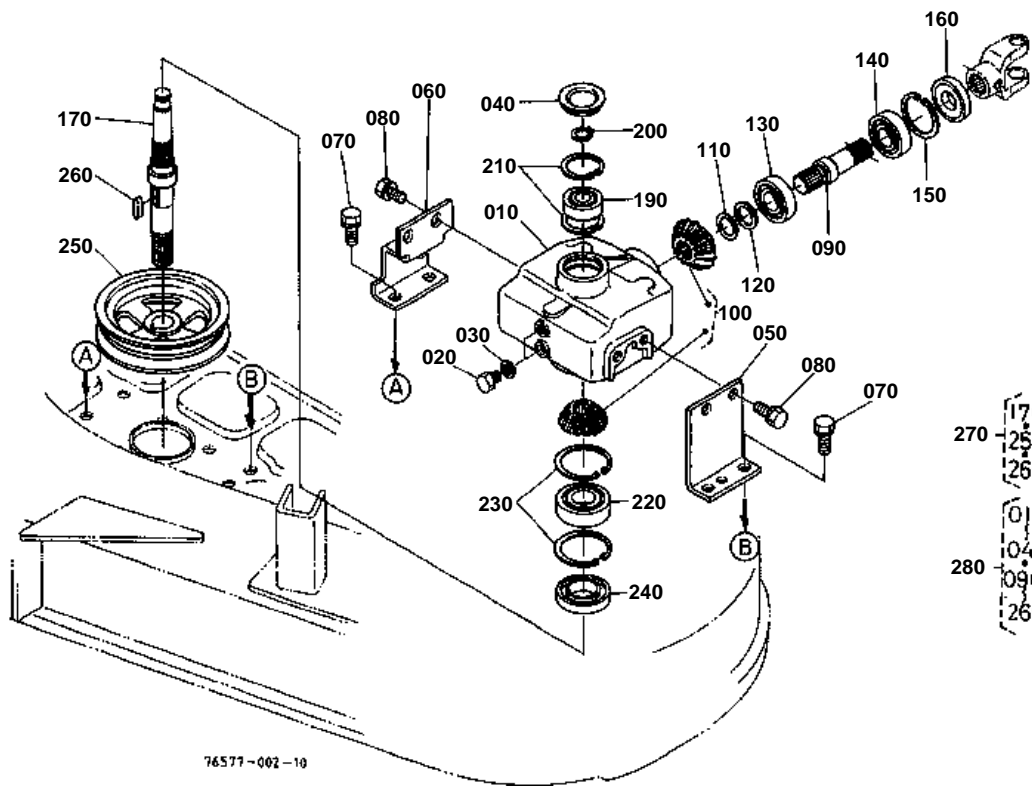


UNIVERSAL JOINT

↔ Interchangeable; ≠ not interchangeable; ← new for old; → old for new

REF.No	Part No.	Description	Q'ty	S.No.	I/C	REMARKS	Weight (kgf)	Weight (lb)
010	76553-32030	ASSY JOINT UNIVERSAL	1	<=10675			3.42	7.524
010	76578-32030	ASSY JOINT UNIVERSAL	1	>=10676	←		3.38	7.436
010	76578-32032	ASSY JOINT UNIVERSAL	1	>=10791	←		3.37	7.414
020	76539-31150	YOKE QUICK	1				0.55	1.21
030	76539-31130	YOKE PTO	1	<=10790			0.44	0.968
030	K5611-31130	YOKE PTO	1	>=10791	←		0.44	0.968
040	76553-31140	SHAFT JOINT	1				1.21	2.662
050	76553-31170	YOKE SLEEVE	1	<=10675			0.78	1.716
050	76578-31170	YOKE JOINT	1	>=10676	←		0.8	1.76
051	67211-42940	NIPPLE GREASE	1	>=10676			0.001	0.0022
052	04012-50060	WASHER PLAIN	1	>=10676			0.001	0.0022
060	76539-31180	ASSY JOINT CROSS	2		↔		0.21	0.462
070	76539-32120	RING SNAP	8				0.003	0.0066
080	76539-31210	NIPPLE GREASE	2				0.01	0.022
090	05122-50845	PIN JOINT	1				0.018	0.0396
100	04012-50080	WASHER PLAIN	1				0.001	0.0022
110	05511-50218	PIN SPLIT	1				0.001	0.0022
120	76550-31150	MARK	1				0.001	0.0022
130	01123-50840	BOLT	1	>=10791			0.018	0.0396
140	76578-32070	KIT JOINT UNIVERSAL	1	>=10791			0.18	0.396

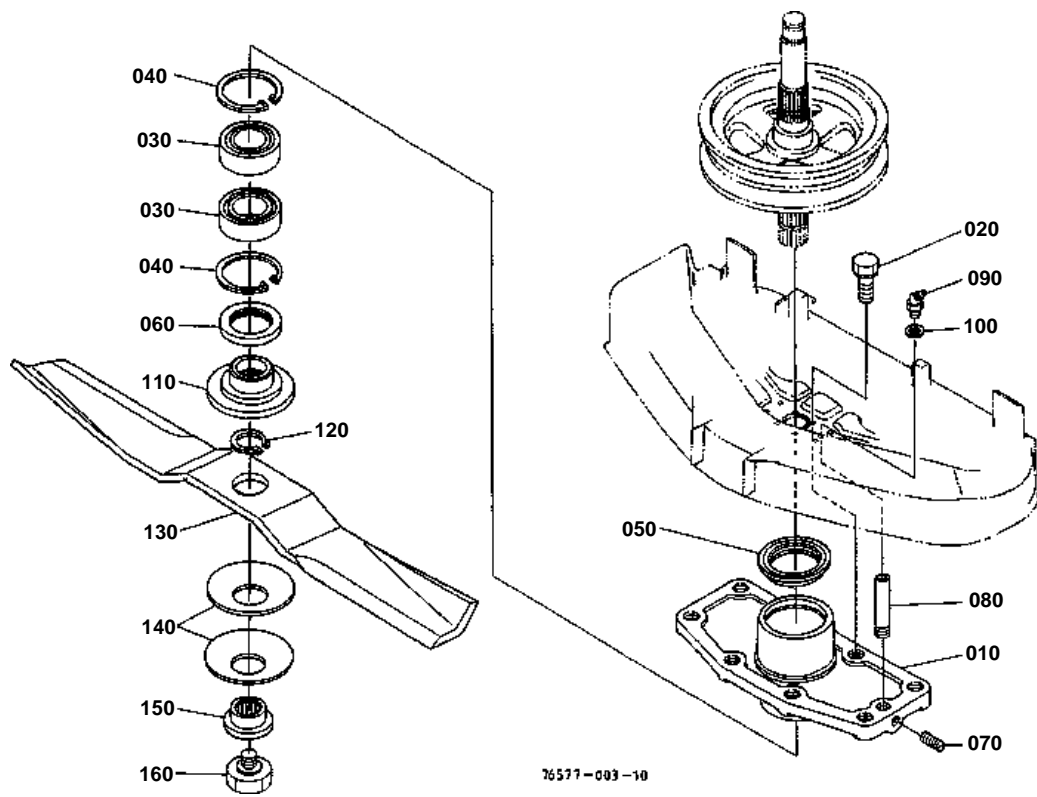
BEVEL CASE/CENTER PULLEY



**BEVEL CASE/CENTER PULLEY**

↔ Interchangeable; ≠ not interchangeable; ← new for old; → old for new

REF.No	Part No.	Description	Q'ty	S.No.	I/C	REMARKS	Weight (kgf)	Weight (lb)
010	76577-33110	CASE BEVEL GEAR	1				4.1	9.02
020	06331-35010	PLUG	2				0.012	0.0264
030	04717-01000	WASHER WITH RUBBER	2				0.001	0.0022
040	55314-22430	CAP ROLLER	1				0.039	0.0858
050	76577-33130	STAY BEVEL CASE LH	1				0.5	1.1
060	76577-33150	STAY BEVEL CASE RH	1				0.5	1.1
070	01133-51230	BOLT	4				0.04	0.088
080	01133-61222	BOLT	4				0.035	0.077
090	70722-33310	SHAFT PINION	1				0.46	1.012
100	76543-99020	KIT GEAR BEVEL	1			16-18T	0.45	0.99
110	70720-33350	SHIM	1			0.20MM	0.001	0.0022
120	70720-33360	SHIM	1			0.30MM	0.001	0.0022
130	76546-33380	BEARING BALL	1				0.11	0.242
140	08101-06205	BEARING BALL	1				0.14	0.308
150	04611-00520	CIR CLIP INTERNAL	1				0.009	0.0198
160	76535-33440	SEAL OIL	1				0.02	0.044
170	76577-33500	SHAFT BEVEL GEAR	1				0.73	1.606
190	08101-06303	BEARING BALL	1				0.112	0.2464
200	04612-00170	CIRCLIP EXTERNAL	1				0.001	0.0022
210	04611-00470	CIR CLIP INTERNAL	2				0.006	0.0132
220	08101-06305	BEARING BALL	1				0.23	0.506
230	04611-00620	CIR CLIP INTERNAL	2				0.011	0.0242
240	76535-33530	SEAL OIL	1				0.025	0.055
250	76539-33520	PULLEY CENTER	1				1.65	3.63
260	05712-00728	KEY FEATHER	1				0.01	0.022
270	76577-99030	ASSY PULLEY CENTER	1				0	0
280	76578-99040	ASSY CASE BEVEL GEAR	1				8.2	18.04

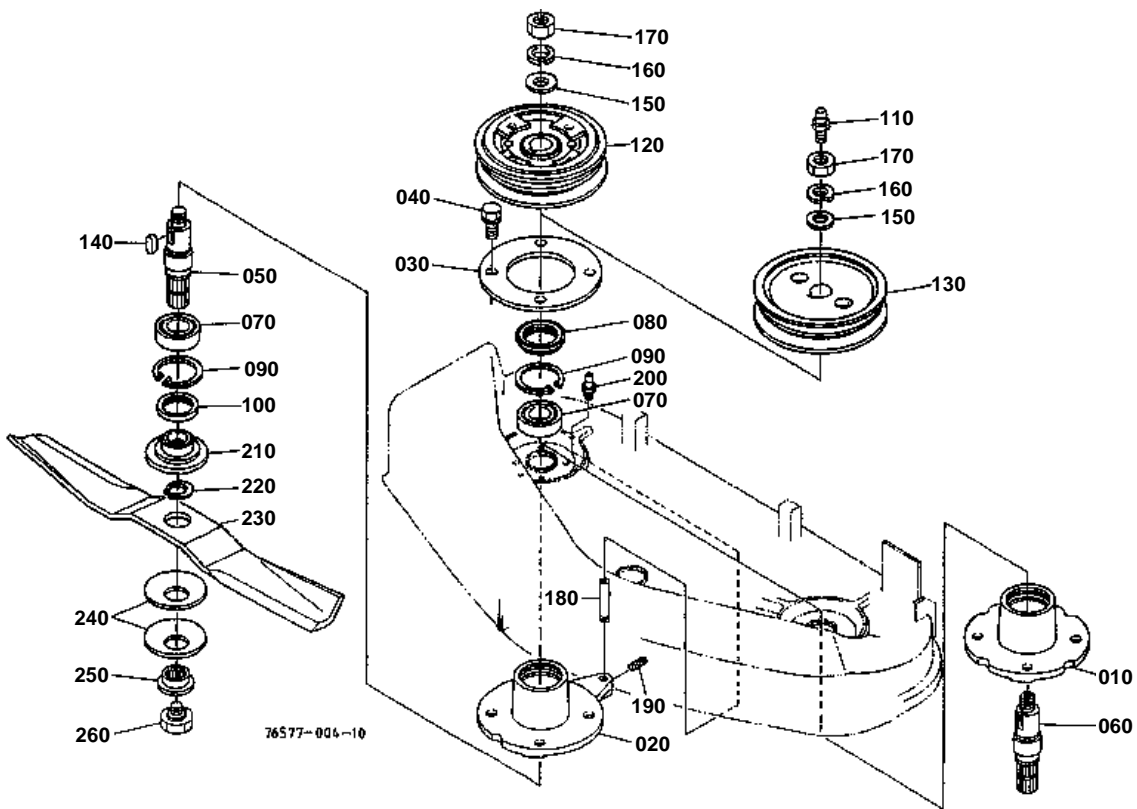


**PULLEY HOLDER/BLADE**

↔ Interchangeable; ≠ not interchangeable; ← new for old; → old for new

REF.No	Part No.	Description	Q'ty	S.No.	I/C	REMARKS	Weight (kgf)	Weight (lb)
010	76539-34114	HOLDER PULLEY(CENTER	1	≤10738			0	0
010	76539-34116	HOLDER PULLEY(CENTER	1	≥10739	←		2.75	6.05
020	01133-61222	BOLT	4				0.035	0.077
030	08101-06205	BEARING BALL	2				0.14	0.308
040	04611-00520	CIR CLIP INTERNAL	2				0.009	0.0198
050	70722-34120	SEAL OIL	1				0.025	0.055
060	09500-35528	SEAL OIL	1	≤10736			0.017	0.0374
060	70725-34162	SEAL OIL	1	≥10737	←		0.024	0.0528
070	03410-50606	SCREW SET	1				0.001	0.0022
080	76538-34130	PIPE EXTENSION	1				0.05	0.11
090	67111-44250	NIPPLE GREASE	1				0.005	0.011
100	66616-34390	SHIM ADJUSTING	1				0.001	0.0022
110	76539-34150	BOSS BLADE	1				0.28	0.616
120	04612-00220	CIRCLIP EXTERNAL	1				0.001	0.0022
130	76539-34330	BLADE	1				1.6	3.52
140	76550-34350	RETAINER BLADE	2				0.075	0.165
150	76539-34390	JOINT BLADE BOSS	1				0	0
160	76539-34372	BOLT LOCKING BLADE	1				0.05	0.11

SIDE PULLEY/BLADE



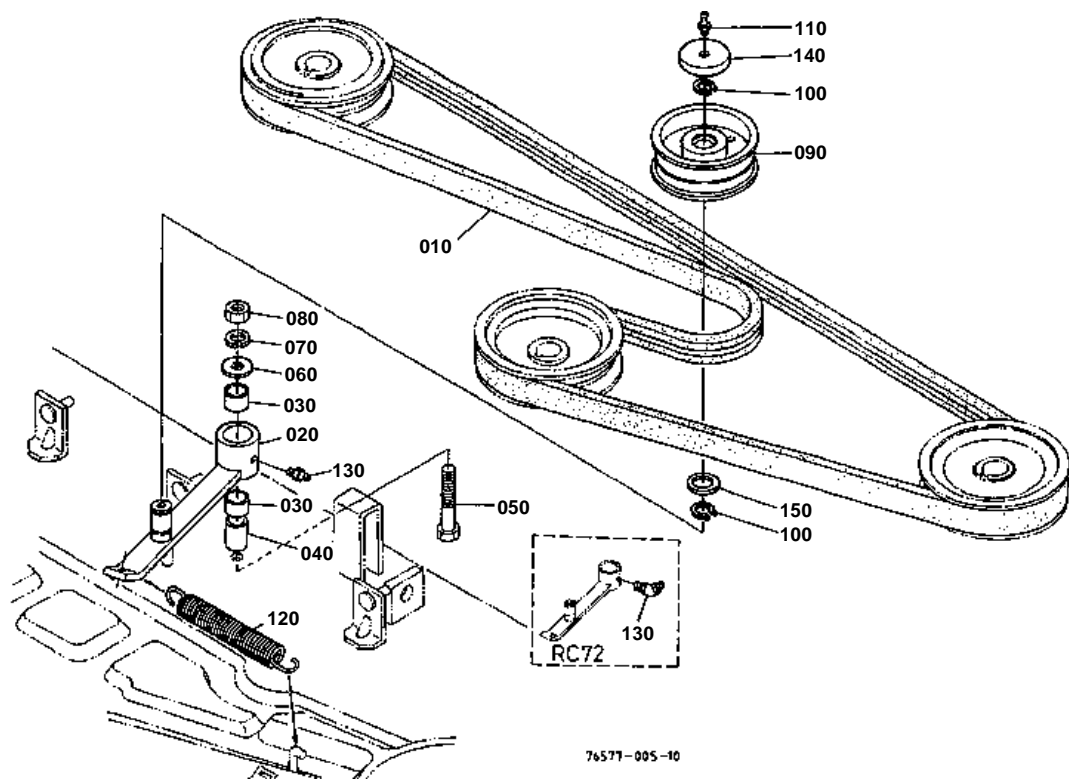


SIDE PULLEY/BLADE

↔ Interchangeable; ≠ not interchangeable; ← new for old; → old for new

REF.No	Part No.	Description	Q'ty	S.No.	I/C	REMARKS	Weight (kgf)	Weight (lb)
010	76539-34514	HOLDER PULLEY LH	1	←=10737			0	0
010	76539-34515	HOLDER PULLEY LH	1	>=10738	←		2.28	5.016
020	76539-34524	HOLDER PULLEY RH	1	←=10737			0	0
020	76539-34525	HOLDER PULLEY RH	1	>=10738	←		2.4	5.28
030	76539-34320	HOLDER PLATE	2	←=10737			0	0
030	76539-34323	HOLDER PLATE	2	>=10738	←		0.25	0.55
040	01133-51225	BOLT	8				0.038	0.0836
050	76539-34542	SHAFT BLADE RH	1	←=10737			0.515	1.133
050	76539-34544	SHAFT BLADE RH	1	>=10738	≠		0.51	1.122
060	76539-34552	SHAFT BLADE LH	1	←=10737			0.5	1.1
060	76539-34554	SHAFT BLADE LH	1	>=10738	≠		0.48	1.056
070	08101-06205	BEARING BALL	4				0.14	0.308
080	70722-34120	SEAL OIL	2				0.025	0.055
090	04611-00520	CIR CLIP INTERNAL	4				0.009	0.0198
100	09500-35528	SEAL OIL	2	←=10736			0.017	0.0374
100	70725-34162	SEAL OIL	2	>=10737	←		0.024	0.0528
110	06613-10675	NIPPLE GREASE	1				0.003	0.0066
120	76539-33570	PULLEY SIDE RH	1				1.71	3.762
130	76539-33580	PULLEY SIDE LH	1				1.7	3.74
140	05712-00722	KEY FEATHER	2				0.009	0.0198
150	70721-34560	WASHER PLAIN	2				0.01	0.022
160	70725-33600	WASHER SPRING	2	←=10737			0.015	0.033
160	04512-60160	WASHER SPRING	2	>=10738	≠		0.01	0.022
170	70725-33560	NUT	2	←=10737			0.012	0.0264
170	02172-50160	NUT	2	>=10738	≠		0.017	0.0374
180	76539-34132	PIPE EXTENSION	1				0.01	0.022
190	03410-50606	SCREW SET	1				0.001	0.0022
200	06613-10675	NIPPLE GREASE	1				0.003	0.0066
210	76539-34150	BOSS BLADE	2				0.28	0.616
220	04612-00220	CIRCLIP EXTERNAL	2				0.001	0.0022
230	76539-34330	BLADE	2				1.6	3.52
240	76550-34350	RETAINER BLADE	4				0.075	0.165
250	76539-34390	JOINT BLADE BOSS	2				0	0
260	76539-34372	BOLT LOCKING BLADE	2				0.05	0.11

TENSION PULLEY

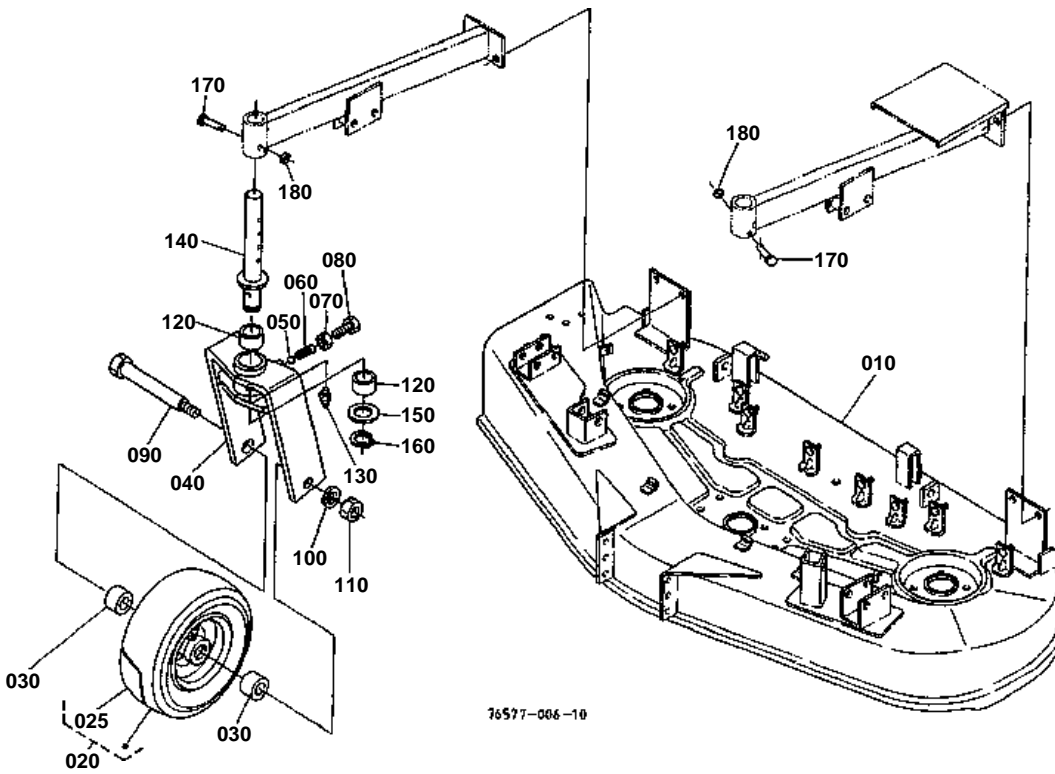


**TENSION PULLEY**

↔ Interchangeable; ≠ not interchangeable; ← new for old; → old for new

REF.No	Part No.	Description	Q'ty	S.No.	I/C	REMARKS	Weight (kgf)	Weight (lb)
010	76539-34710	BELT MULTI	1			118 INCH	1.1	2.42
020	76539-34733	ARM TENSION	1	≤10715			0.55	1.21
020	76539-34734	ARM TENSION	1	≥10716	←		0.6	1.32
030	08511-02020	BUSH	2				0.01	0.022
040	76539-34780	COLLAR TENSION	1				0.06	0.132
050	01173-51270	BOLT	1				0.067	0.1474
060	04015-60120	WASHER PLAIN	1				0.022	0.0484
070	04512-50120	WASHER SPRING	1				0	0
080	02172-50120	NUT	1				0.01	0.022
090	76539-34880	ASSY PULLEY TENSION	1	≤10715			0	0
090	76539-34883	COMP.PULLEY TENSION	1	≥10716	↔		0.42	0.924
100	04612-00170	CIRCLIP EXTERNAL	2				0.001	0.0022
110	06613-10675	NIPPLE GREASE	2	≤10715			0.003	0.0066
110	76539-12100	NIPPLE GREASE	1	≥10716	≠		0.005	0.011
120	76539-34750	SPRING TENSION	1				0.18	0.396
130	76543-12100	NIPPLE GREASE	1	≥10716			0.003	0.0066
140	76539-34790	COVER TENSION	1	≥10716			0.03	0.066
150	76539-34800	SEAL BEARING	1	≥10716			0.001	0.0022

MOWER DECK



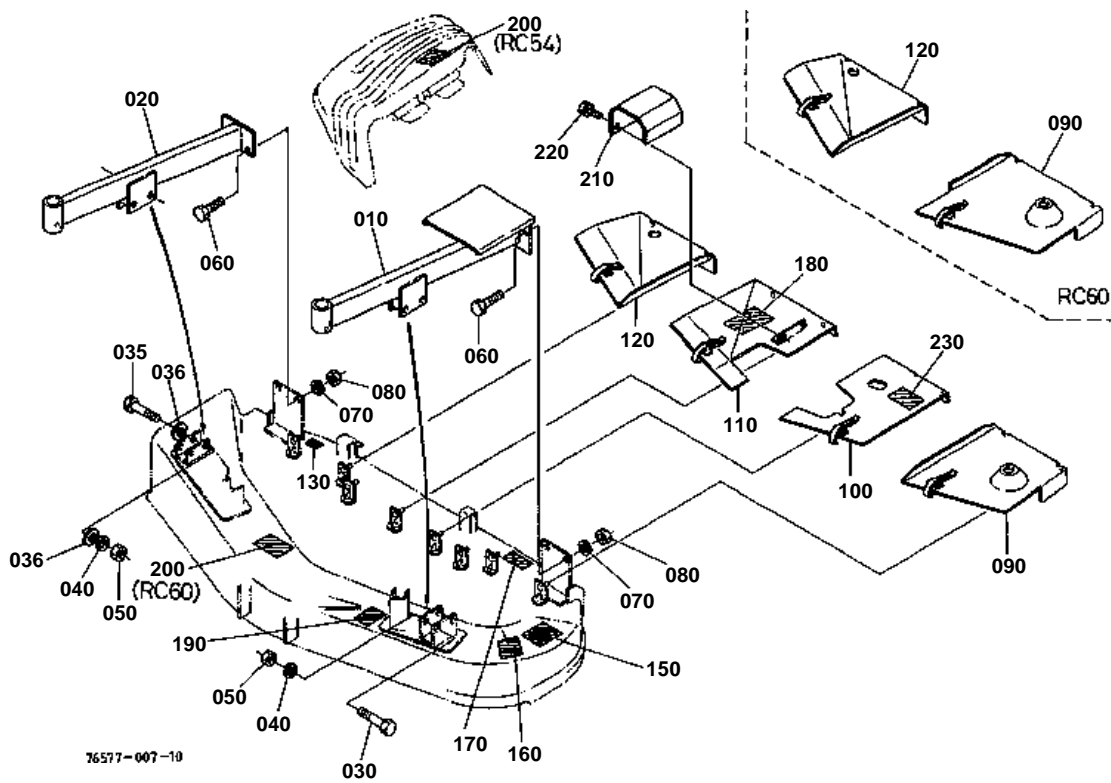


MOWER DECK

↔ Interchangeable; ≠ not interchangeable; ← new for old; → old for new

REF.No	Part No.	Description	Q'ty	S.No.	I/C	REMARKS	Weight (kgf)	Weight (lb)
010	76578-41160	DECK MOWER	1				90	198
020	76543-42240	FRONT WHEEL	2				2.18	4.796
025	76543-99510	TUBE GAUGE WHEEL	2				0.19	0.418
030	76543-34220	COLLAR	4				0.09	0.198
040	76543-34200	SUPPORT FRONT WHEEL	2				2.85	6.27
050	07715-00803	BALL	2				0.004	0.0088
060	76543-43130	SPRING FRONT WHEEL	2				0.01	0.022
070	02172-50120	NUT	2				0.01	0.022
080	01173-51225	BOLT	2				0.033	0.0726
090	76543-34210	AXLE FRONT	2				0.24	0.528
100	04512-60140	WASHER SPRING	2				0.006	0.0132
110	02174-50140	NUT	2				0.014	0.0308
120	70722-42190	BUSH	4				0.045	0.099
130	06613-10675	NIPPLE GREASE	2				0.003	0.0066
140	76577-43110	SHAFT FRONT WHEEL	2				1.24	2.728
150	70722-43130	COLLAR FRONT WHEEL	2				0.015	0.033
160	04612-00300	CIRCLIP EXTERNAL	2				0.003	0.0066
170	05122-51055	PIN JOINT	2				0.035	0.077
180	70712-51140	RING SNAP	2				0.009	0.0198

WHEEL STAY/COVER/LABEL



140 70720-4715-4

140 70712-1147-0



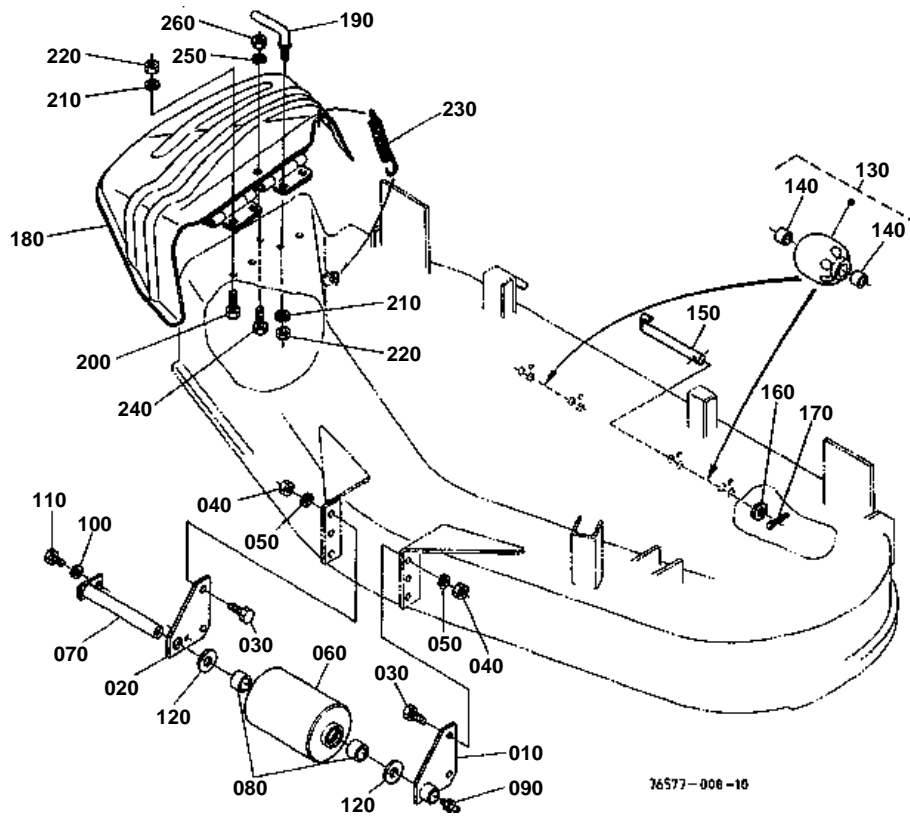
76577-800-10

**WHEEL STAY/COVER/LABEL**

↔ Interchangeable; ≠ not interchangeable; ← new for old; → old for new

REF.No	Part No.	Description	Q'ty	S.No.	I/C	REMARKS	Weight (kgf)	Weight (lb)
010	76577-41120	STAY FRONT WHEEL LH	1				4.2	9.24
020	76577-41140	STAY FRONT WHEEL RH	1				4.2	9.24
030	01173-51270	BOLT	2				0.067	0.1474
035	01173-51285	BOLT	2				0.084	0.1848
036	04013-60120	WASHER PLAIN	4				0.01	0.022
040	04512-50120	WASHER SPRING	4				0	0
050	02176-50120	NUT	4				0.01	0.022
060	01173-51225	BOLT	4				0.033	0.0726
070	04512-50120	WASHER SPRING	4				0	0
080	02176-50120	NUT	4				0.01	0.022
090	76578-41260	COVER BELT LH	1				1.6	3.52
100	76577-41270	COVER BELT CENTER LH	1				1.25	2.75
110	76577-41280	COVER BELT CENTER RH	1				1.5	3.3
120	76578-41300	COVER BELT RH	1				1.5	3.3
140	70720-47154	LABEL CAUTION	1	≤10736			0.001	0.0022
140	70712-11470	LABEL CAUTION	1	≤10736		[CA] FRENCH	0.002	0.0044
150	70712-41142	LABEL CAUTION	1	≤10641			0.001	0.0022
150	66071-61790	LABEL CAUTION	1	≥10642	↔		0.002	0.0044
150	76530-11420	LABEL CAUTION	1			[CA] FRENCH	0.001	0.0022
160	76577-47132	LABEL CUTTING HEIGHT	1				0.003	0.0066
160	76577-11490	LABEL CUTTING HEIGHT	1			[CA] FRENCH	0.005	0.011
170	76611-47680	LABEL ANSI	1	≤10715			0	0
170	76611-47682	LABEL ANSI	1	≥10716	←		0.001	0.0022
180	76577-41290	LABEL MOWER TILT	1				0.005	0.011
180	76577-11500	LABEL MOWER TILT	1			[CA] FRENCH	0.002	0.0044
190	76539-34570	LABEL BLADE	1				0.003	0.0066
190	76507-11340	NAME PLATE BLADE	1			[CA] FRENCH	0.003	0.0066
200	70712-47142	LABEL CAUTION	1	≤10641			0.001	0.0022
200	66071-61780	LABEL CAUTION	1	≥10642	↔		0.005	0.011
200	76530-11480	LABEL CAUTION	1			[CA] FRENCH	0.005	0.011
210	76577-32030	COVER JOINT	1	≤10715			0	0
210	76543-32034	COVER JOINT	1	≥10716	←		0.48	1.056
220	01123-60816	BOLT	2				0.01	0.022
230	76539-34830	LABEL GREASE UP	1	≥10716			0.002	0.0044

ANTI-SCALP ROLLER

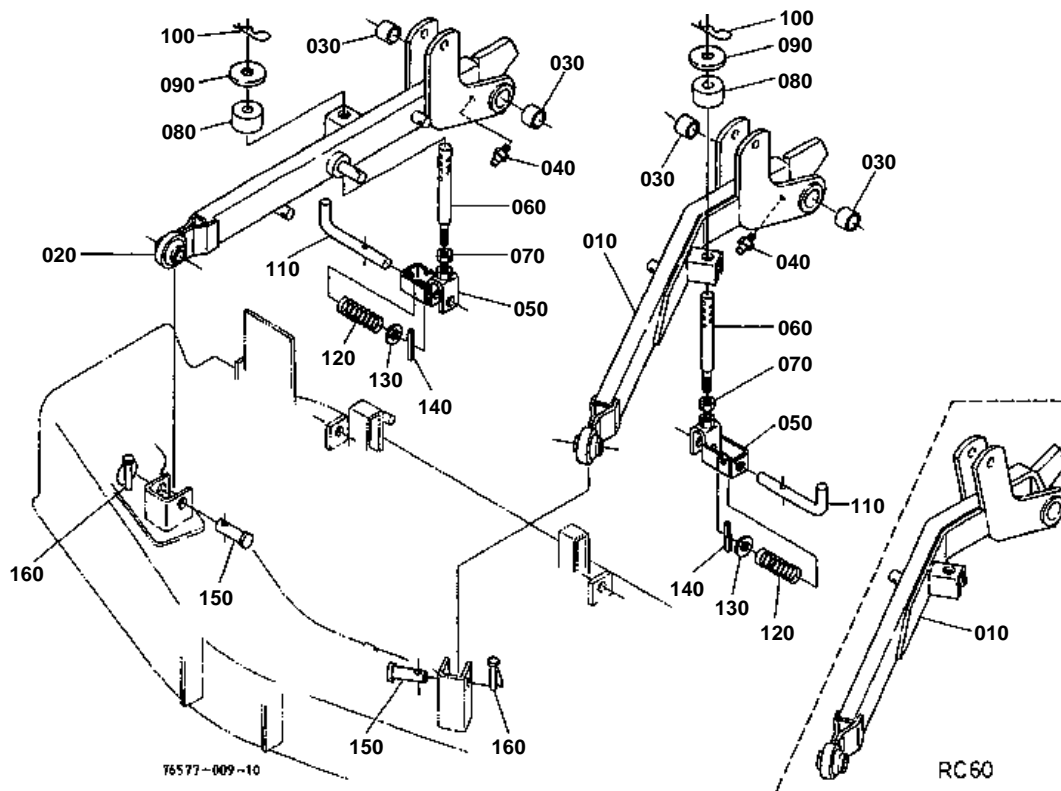


**ANTI-SCALP ROLLER**

↔ Interchangeable; ≠ not interchangeable; ← new for old; → old for new

REF.No	Part No.	Description	Q'ty	S.No.	I/C	REMARKS	Weight (kgf)	Weight (lb)
010	76577-46110	BRACKET LH	1				0.4	0.88
020	76577-46130	BRACKET RH	1				0.28	0.616
030	01173-51028	BOLT	4				0.022	0.0484
040	02118-50100	NUT	4				0.005	0.011
050	04512-60100	WASHER SPRING	4				0.002	0.0044
060	76543-46160	ROLLER	1				2.1	4.62
070	76538-44170	SHAFT REAR WHEEL	1				0.49	1.078
080	70722-44190	BUSH	2				0.041	0.0902
090	06613-10010	NIPPLE GREASE	1				0.006	0.0132
100	04512-60080	WASHER SPRING	1				0.002	0.0044
110	01153-50812	BOLT	1				0.008	0.0176
120	04013-50200	WASHER PLAIN	2				0.02	0.044
130	76507-46250	ASSY ROLL.ANTI-SCALP	2				0.28	0.616
140	08511-01220	BUSH	4				0.004	0.0088
150	76543-46180	PIN GAUGE WHEEL	2				0	0
160	04011-50120	WASHER PLAIN	2				0.005	0.011
170	05511-50425	PIN SPLIT	2				0.003	0.0066
180	76539-47115	COVER CHUTE	1				4.5	9.9
190	70721-47130	STOPPER CHUTE	1				0.05	0.11
200	01173-51025	BOLT	3				0.021	0.0462
210	04512-60100	WASHER SPRING	4				0.002	0.0044
220	02118-50100	NUT	4				0.005	0.011
230	70722-47120	SPRING	1				0.06	0.132
240	01173-51028	BOLT	1				0.022	0.0484
250	04512-60100	WASHER SPRING	1				0.002	0.0044
260	02118-50100	NUT	1				0.005	0.011

MOWER LINK



**MOWER LINK**

↔ Interchangeable; ≠ not interchangeable; ← new for old; → old for new

REF.No	Part No.	Description	Q'ty	S.No.	I/C	REMARKS	Weight (kgf)	Weight (lb)
010	76578-51110	LINK MOWER LH	1				9	19.8
020	76577-51130	LINK MOWER RH	1				7.4	16.28
030	08511-02530	BUSH	4				0.03	0.066
040	06613-10675	NIPPLE GREASE	2				0.003	0.0066
050	76577-51150	HOLDER	2				0.2	0.44
060	76577-51170	ROD LIFT	2				0.21	0.462
070	02174-50120	NUT	2				0.01	0.022
080	76543-51210	CUSHION	2				0.046	0.1012
090	76543-51190	WASHER	2				0.07	0.154
100	33251-91860	PIN SET	2				0.023	0.0506
110	76539-44650	PIN HINGE	2				0.19	0.418
120	76539-44670	SPRING HINGE PIN	2				0.01	0.022
130	04011-50140	WASHER PLAIN	2				0.007	0.0154
140	05411-00540	PIN SPRING	2				0.004	0.0088
150	31150-71360	PIN JOINT	2				0.166	0.3652
160	34150-37640	PIN SET	2				0.06	0.132



LIFT ROD

↔ Interchangeable; ≠ not interchangeable; ← new for old; → old for new

REF.No	Part No.	Description	Q'ty	S.No.	I/C	REMARKS	Weight (kgf)	Weight (lb)
010	76577-65210	ROD LIFT	2	<=10641			0	0
010	76577-65212	ROD LIFT	2	>=10642	←		0.348	0.7656
020	76577-65260	HOLDER LIFT ROD	2				0.23	0.506
030	02172-50160	NUT	2				0.017	0.0374
040	08511-02030	BUSH	2				0.02	0.044
050	04011-50200	WASHER PLAIN	2				0.015	0.033
060	05511-50530	PIN SPLIT	2				0.006	0.0132
070	05122-51235	PIN JOINT	2				0.034	0.0748
080	04013-60120	WASHER PLAIN	4				0.01	0.022
090	05511-50425	PIN SPLIT	2				0.003	0.0066
100	76577-65300	HOLDER JOINT	1				0.4	0.88
110	04013-60140	WASHER PLAIN	2				0.01	0.022
120	05511-50430	PIN SPLIT	1				0.004	0.0088
130	05515-51400	PIN SNAP	1				0	0



ACCESSORIES AND SERVICE PARTS

↔ Interchangeable; ≠ not interchangeable; ← new for old; → old for new

REF.No	Part No.	Description	Q'ty	S.No.	I/C	REMARKS	Weight (kgf)	Weight (lb)
010	76577-71112	MANUAL INSTRUCTION	1	<=10736		[A]	0	0
010	76577-71113	MANUAL INSTRUCTION	1	>=10737	←	[A]	0.09	0.198
020	76539-99000	KIT BLADE	1			REF.No.030	4.85	10.67
030	76539-34330	BLADE	3				1.6	3.52