

Instructions for Parts Books

The heading at the top of the page will be the same for the picture of the parts at it is for the page with the part numbers.

Definition of column headings on part number pages:

REF.No → The number referring to the part on the picture page of the parts book.

Part No. → The number assigned to this part at the time of printing the parts book.

Description → Discription of part.

Q'ty → Quantity of part used on that page.

S.No. → Serial number range of the equipment that this part will fit.

>= Your serial number should be greater than or equal to the number shown.

<= Your serial number should be lesser than or equal to the serial number shown.

I/C → Interchangeability of part shown.

↔ The part shown will work for the older and later serial number.

The part shown is not interchangeable with the other serial number.

← new for old

→ old for new

Remarks → Notes about this particulart part. Sometimes this may say except [FR] or [CA]

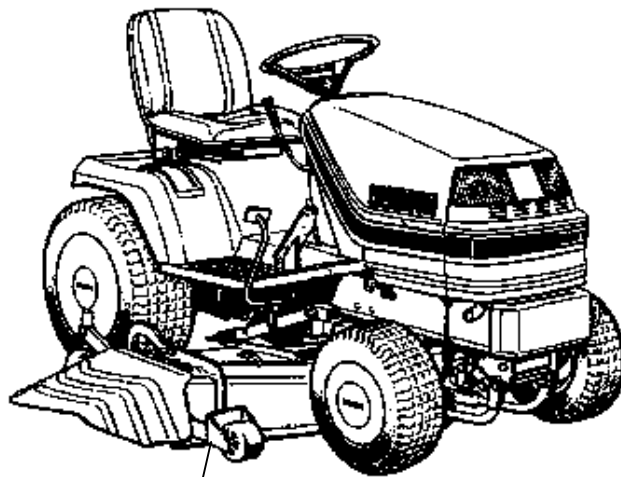
Note about Country Codes:

The parts books we use in the United States of America may also contain information about a part that would be different in another country. It is important that you are aware of the country codes in some instances.

| Symbol | Country |
|--------|--------------------------|
| A | United States of America |
| CA | Canada |
| FR | France |
| GR | Greece |
| PO | Portugal |
| AU | Australia |

If the remarks column says for example EXCEPT [FR] this part works in all countries except France. That means it will work here in the USA.

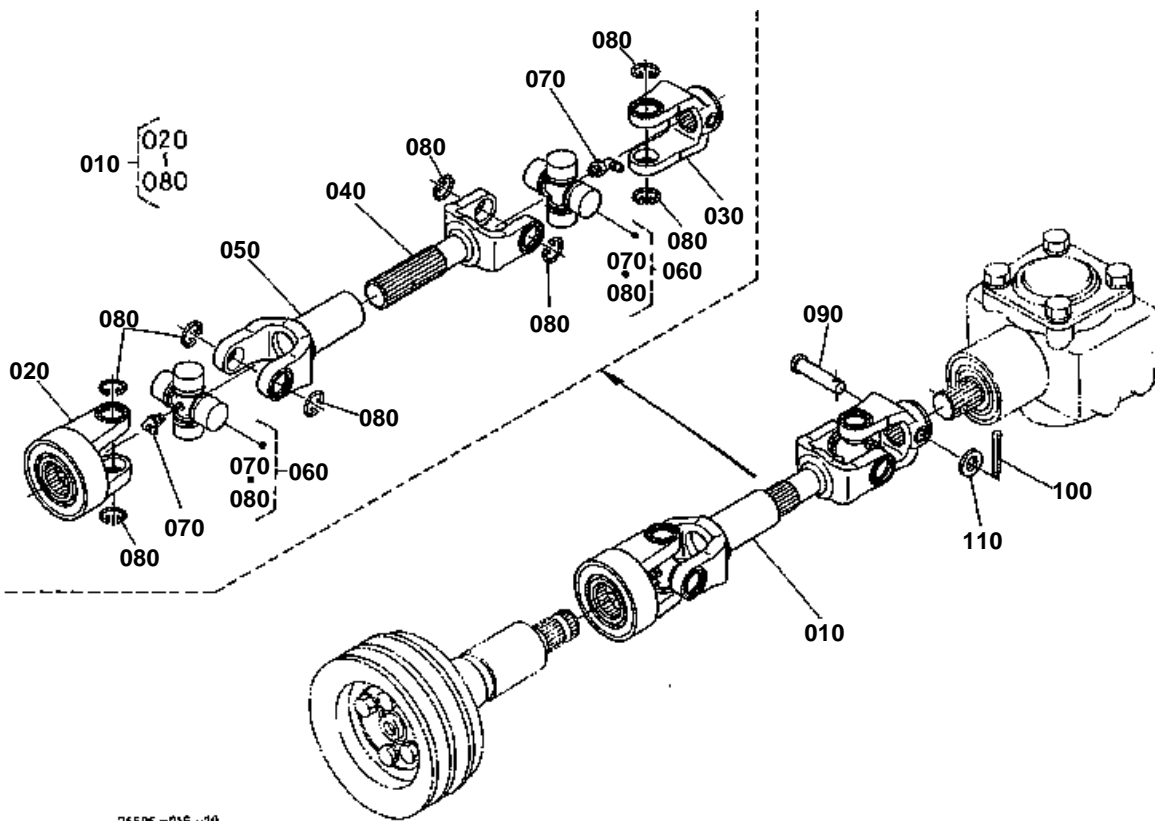
ALL PRODUCT INDEX
RC60-G20



MOWER

| Item | Part No. | Description | Book |
|-------|----------|-------------------------------|----------|
| MOWER | 01G120 | UNIVERSAL JOINT | 100K0510 |
| | 01G122 | GEAR BOX/CENTER PULLEY | 100K0510 |
| | 01G124 | PULLEY HOLDER/BLADE | 100K0510 |
| | 01G126 | SIDE PULLEY/BLADE | 100K0510 |
| | 01G127 | TENSION PULLEY | 100K0510 |
| | 01G129 | MOWER DECK | 100K0510 |
| | 01G131 | FRONT WHEEL | 100K0510 |
| | 01G134 | REAR WHEEL | 100K0510 |
| | 01G136 | DISCHARGE COVER | 100K0510 |
| | 01G141 | REAR LINKAGE | 100K0510 |
| | 01G143 | FRONT LINKAGE | 100K0510 |
| | 01G144 | MOWER ASSIST SPRING | 100K0510 |
| | 01G146 | ACCESSORIES AND SERVICE PARTS | 100K0510 |

UNIVERSAL JOINT



76505-015-10

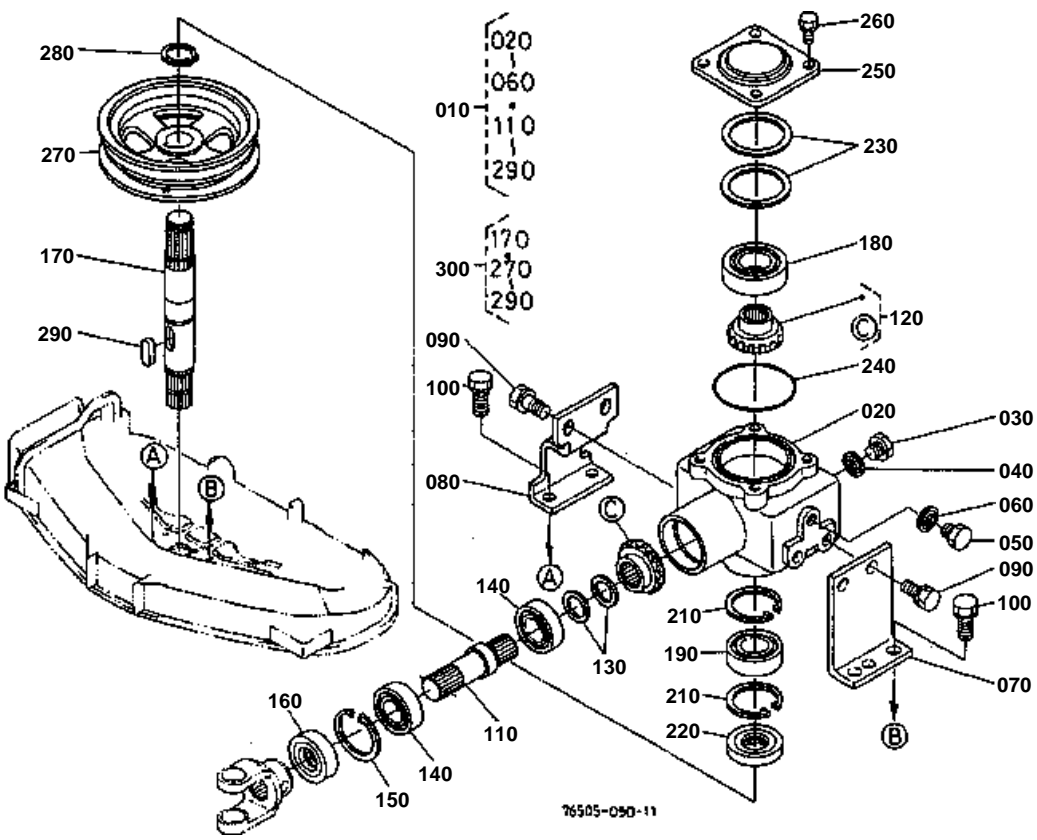


UNIVERSAL JOINT

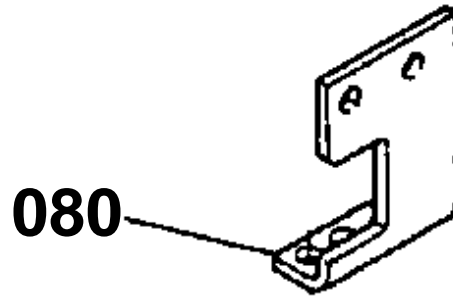
↔ Interchangeable; ≠ not interchangeable; ← new for old; → old for new

| REF.No | Part No. | Description | Q'ty | S.No. | I/C | REMARKS | Weight (kgf) | Weight (lb) |
|--------|-------------|----------------------|------|-------|-----|---------|--------------|-------------|
| 010 | 76508-32030 | ASSY JOINT UNIVERSAL | 1 | | | | 2.58 | 5.676 |
| 020 | 76508-31150 | YOKE QUICK | 1 | | | | 0.6 | 1.32 |
| 030 | 76508-31130 | YOKE PTO | 1 | | | | 0.33 | 0.726 |
| 040 | 76508-31140 | SHAFT JOINT | 1 | | | | 0.7 | 1.54 |
| 050 | 76508-31170 | YOKE JOINT | 1 | | | | 0.7 | 1.54 |
| 060 | 76508-31180 | ASSY JOINT CROSS | 2 | | | | 0.23 | 0.506 |
| 070 | 76508-31210 | NIPPLE GREASE | 2 | | | | 0.05 | 0.11 |
| 080 | 76508-32120 | RING SNAP | 8 | | | | 0.01 | 0.022 |
| 090 | 05122-50845 | PIN JOINT | 1 | | | | 0.018 | 0.0396 |
| 100 | 05511-50218 | PIN SPLIT | 1 | | | | 0.001 | 0.0022 |
| 110 | 04012-50080 | WASHER PLAIN | 1 | | | | 0.001 | 0.0022 |

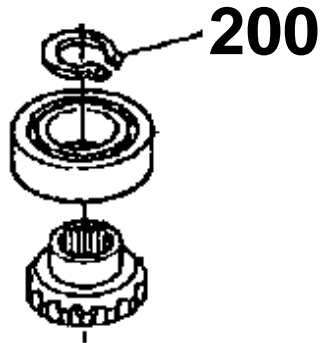
GEAR BOX/CENTER PULLEY



080 76508-3315-0



200 04612-00220



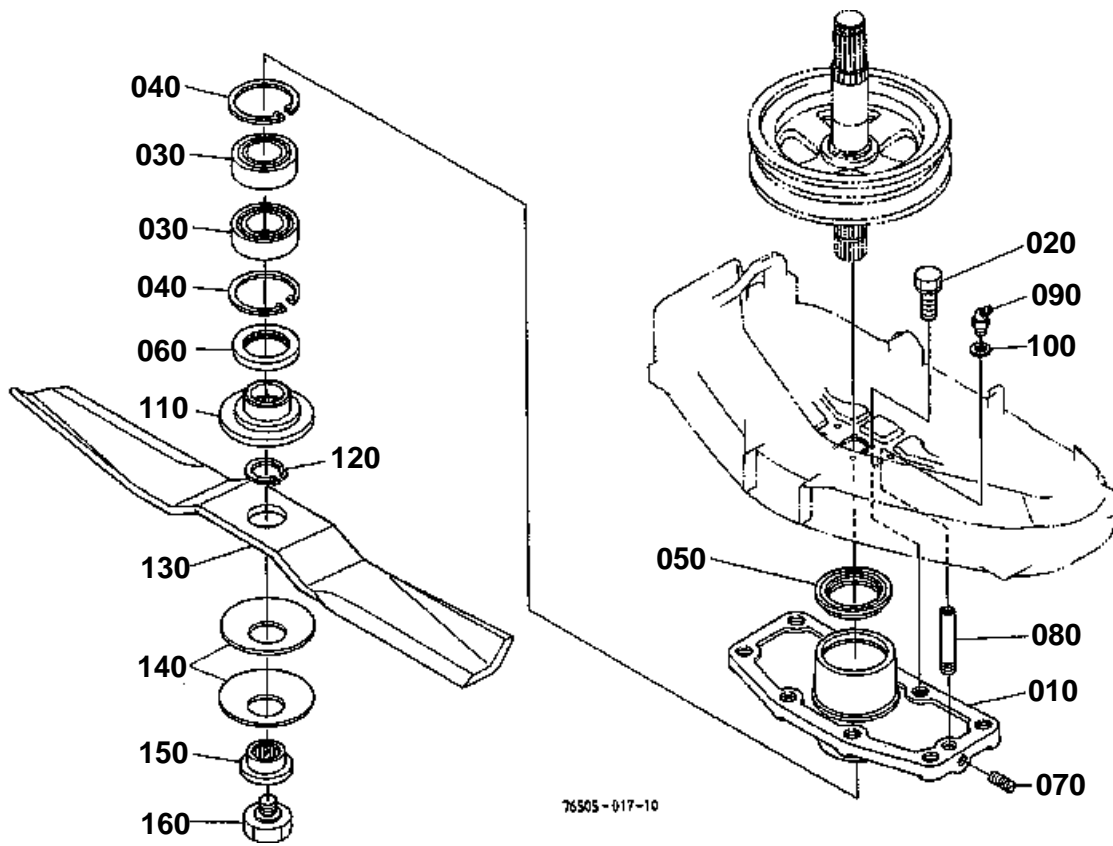
76505-800-11



GEAR BOX/CENTER PULLEY

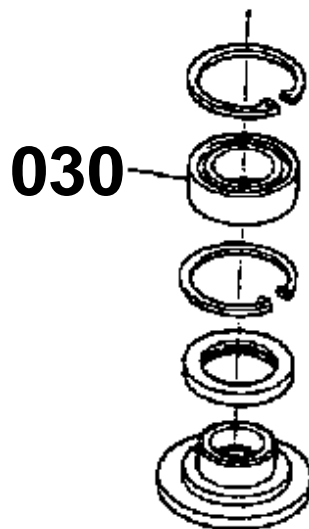
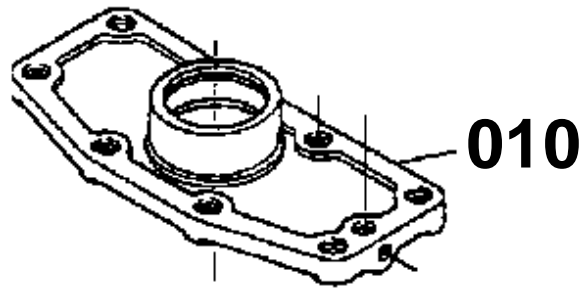
↔ Interchangeable; ≠ not interchangeable; ← new for old; → old for new

| REF.No | Part No. | Description | Q'ty | S.No. | I/C | REMARKS | Weight (kgf) | Weight (lb) |
|--------|-------------|----------------------|------|---------|-----|---------|--------------|-------------|
| 010 | 76508-99060 | ASSY CASE BEVEL GEAR | 1 | <=11089 | | | 7.72 | 16.984 |
| 010 | 76508-99062 | ASSY CASE BEVEL GEAR | 1 | >=20001 | ≠ | | 7.71 | 16.962 |
| 010 | 76508-99063 | ASSY CASE BEVEL GEAR | 1 | >=30001 | ≠ | | 3 | 6.6 |
| 010 | 76508-99064 | ASSY CASE BEVEL GEAR | 1 | >=32376 | ← | | 0 | 0 |
| 020 | 76539-33112 | CASE BEVEL GEAR | 1 | | | | 3.25 | 7.15 |
| 030 | 01173-51214 | BOLT | 1 | | | | 0.025 | 0.055 |
| 040 | 04717-01200 | WASHER WITH RUBBER | 1 | | | | 0.002 | 0.0044 |
| 050 | 01173-51214 | BOLT | 1 | | | | 0.025 | 0.055 |
| 060 | 04717-01200 | WASHER WITH RUBBER | 1 | | | | 0.002 | 0.0044 |
| 070 | 76508-33130 | STAY BEVEL CASE LH | 1 | | | | 0.5 | 1.1 |
| 080 | 76508-33150 | STAY BEVEL CASE RH | 1 | <=21244 | | | 0 | 0 |
| 080 | 76508-33152 | STAY BEVEL CASE RH | 1 | >=30001 | ≠ | | 0.7 | 1.54 |
| 090 | 01133-61222 | BOLT | 4 | | | | 0.035 | 0.077 |
| 100 | 01133-51230 | BOLT | 4 | | | | 0.04 | 0.088 |
| 110 | 70722-33310 | SHAFT PINION | 1 | | | | 0.46 | 1.012 |
| 120 | 76508-33320 | KIT GEAR BEVEL | 1 | <=21244 | | 18-17T | 0.2 | 0.44 |
| 120 | 76539-99020 | KIT GEAR BEVEL | 1 | >=30001 | ≠ | 17-15T | 0.42 | 0.924 |
| 130 | 70720-33350 | SHIM | 1 | | | 0.2MM | 0.001 | 0.0022 |
| 130 | 70720-33360 | SHIM | 1 | | | 0.3MM | 0.001 | 0.0022 |
| 140 | 08101-06205 | BEARING BALL | 2 | | | | 0.14 | 0.308 |
| 150 | 04611-00520 | CIR CLIP INTERNAL | 1 | | | | 0.009 | 0.0198 |
| 160 | 76535-33440 | SEAL OIL | 1 | | | | 0.02 | 0.044 |
| 170 | 76508-33510 | SHAFT BEVEL GEAR | 1 | <=11089 | | | 0.8 | 1.76 |
| 170 | 76508-33500 | SHAFT BEVEL GEAR | 1 | >=20001 | ≠ | | 0.78 | 1.716 |
| 170 | 76508-33502 | SHAFT BEVEL GEAR | 1 | >=30001 | ≠ | | 0 | 0 |
| 170 | 76508-33503 | SHAFT BEVEL GEAR | 1 | >=32376 | ← | | 0.81 | 1.782 |
| 180 | 70712-33550 | BEARING BALL | 1 | | | | 0.22 | 0.484 |
| 190 | 08101-06205 | BEARING BALL | 1 | | | | 0.14 | 0.308 |
| 200 | 04612-00220 | CIRCLIP EXTERNAL | 1 | <=32375 | | | 0.001 | 0.0022 |
| 210 | 04611-00520 | CIR CLIP INTERNAL | 2 | | | | 0.009 | 0.0198 |
| 220 | 76535-33440 | SEAL OIL | 1 | | | | 0.02 | 0.044 |
| 230 | 76539-33410 | SHIM | 1 | | | 0.2MM | 0.001 | 0.0022 |
| 230 | 76539-33590 | SHIM | 1 | | | 0.3MM | 0.005 | 0.011 |
| 240 | 04811-10800 | RING | 1 | | | | 0.001 | 0.0022 |
| 250 | 70712-33610 | COVER BEVEL CASE | 1 | | | | 0.2 | 0.44 |
| 260 | 01123-60814 | BOLT | 4 | | | | 0.008 | 0.0176 |
| 270 | 76539-33520 | PULLEY CENTER | 1 | | | | 1.65 | 3.63 |
| 280 | 04612-00250 | CIRCLIP EXTERNAL | 1 | | | | 0.002 | 0.0044 |
| 290 | 05712-00728 | KEY FEATHER | 1 | | | | 0.01 | 0.022 |
| 300 | 76508-99050 | ASSY PULLEY CENTER | 1 | <=11089 | | | 2.48 | 5.456 |
| 300 | 76508-99052 | ASSY PULLEY CENTER | 1 | >=20001 | ≠ | | 2.5 | 5.5 |
| 300 | 76508-99053 | ASSY PULLEY CENTER | 1 | >=30001 | ≠ | | 2.56 | 5.632 |
| 300 | 76508-99054 | ASSY PULLEY CENTER | 1 | >=32376 | ← | | 0 | 0 |



76505-017-10

010 76539-3411-0
030 08101-06205



76505-811-10

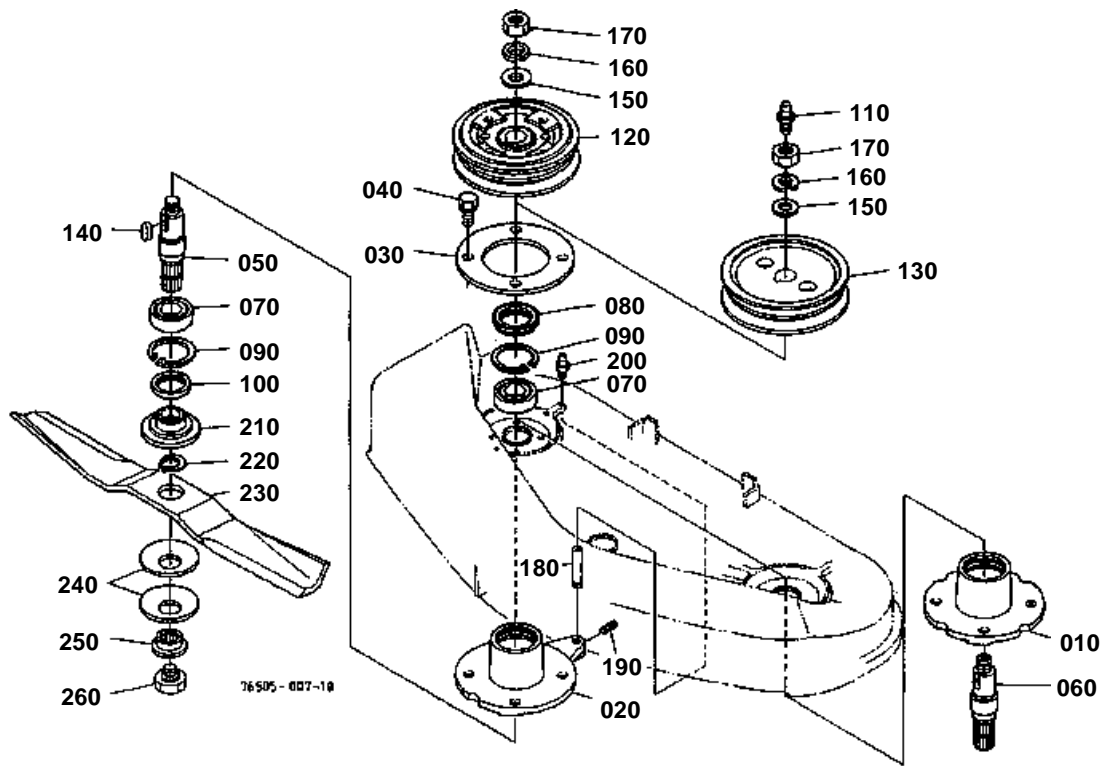


PULLEY HOLDER/BLADE

↔ Interchangeable; ≠ not interchangeable; ← new for old; → old for new

| REF.No | Part No. | Description | Q'ty | S.No. | I/C | REMARKS | Weight (kgf) | Weight (lb) |
|--------|-------------|----------------------|------|--------|-----|---------|--------------|-------------|
| 010 | 76539-34110 | HOLDER PULLEY | 1 | ≤21244 | | | 2.57 | 5.654 |
| 010 | 76539-34114 | HOLDER CENTER PULLEY | 1 | ≥30001 | ≠ | | 0 | 0 |
| 010 | 76539-34116 | HOLDER CENTER PULLEY | 1 | ≥32376 | ← | | 2.75 | 6.05 |
| 020 | 01133-61222 | BOLT | 4 | | | | 0.035 | 0.077 |
| 030 | 08101-06205 | BEARING BALL | 1 | ≤21244 | | | 0.14 | 0.308 |
| 030 | 08101-06205 | BEARING BALL | 2 | ≥30001 | | | 0.14 | 0.308 |
| 040 | 04611-00520 | CIR CLIP INTERNAL | 2 | | | | 0.009 | 0.0198 |
| 050 | 70722-34120 | SEAL OIL | 1 | | | | 0.025 | 0.055 |
| 060 | 09500-35528 | SEAL OIL | 1 | ≤31582 | | | 0.017 | 0.0374 |
| 060 | 70725-34162 | SEAL OIL | 1 | ≥31583 | ← | | 0.024 | 0.0528 |
| 070 | 03410-50606 | SCREW SET | 1 | | | | 0.001 | 0.0022 |
| 080 | 76539-34132 | PIPE EXTENSION | 1 | | | | 0.01 | 0.022 |
| 090 | 67111-44250 | NIPPLE GREASE | 1 | | | | 0.005 | 0.011 |
| 100 | 66616-34390 | SHIM ADJUSTING | 1 | | | | 0.001 | 0.0022 |
| 110 | 76539-34150 | BOSS BLADE | 1 | ≤11089 | | | 0.28 | 0.616 |
| 110 | 76539-34160 | BOSS BLADE | 1 | ≥20001 | ≠ | | 0.42 | 0.924 |
| 110 | 76539-34150 | BOSS BLADE | 1 | ≥30001 | ≠ | | 0.28 | 0.616 |
| 120 | 04612-00220 | CIRCLIP EXTERNAL | 1 | | | | 0.001 | 0.0022 |
| 130 | 76539-34330 | BLADE | 1 | | | | 1.6 | 3.52 |
| 140 | 76550-34350 | RETAINER BLADE | 2 | | | | 0.075 | 0.165 |
| 150 | 76539-34390 | JOINT BLADE BOSS | 1 | | | | 0 | 0 |
| 160 | 76539-34372 | BOLT LOCKING BLADE | 1 | | | | 0.05 | 0.11 |

SIDE PULLEY/BLADE



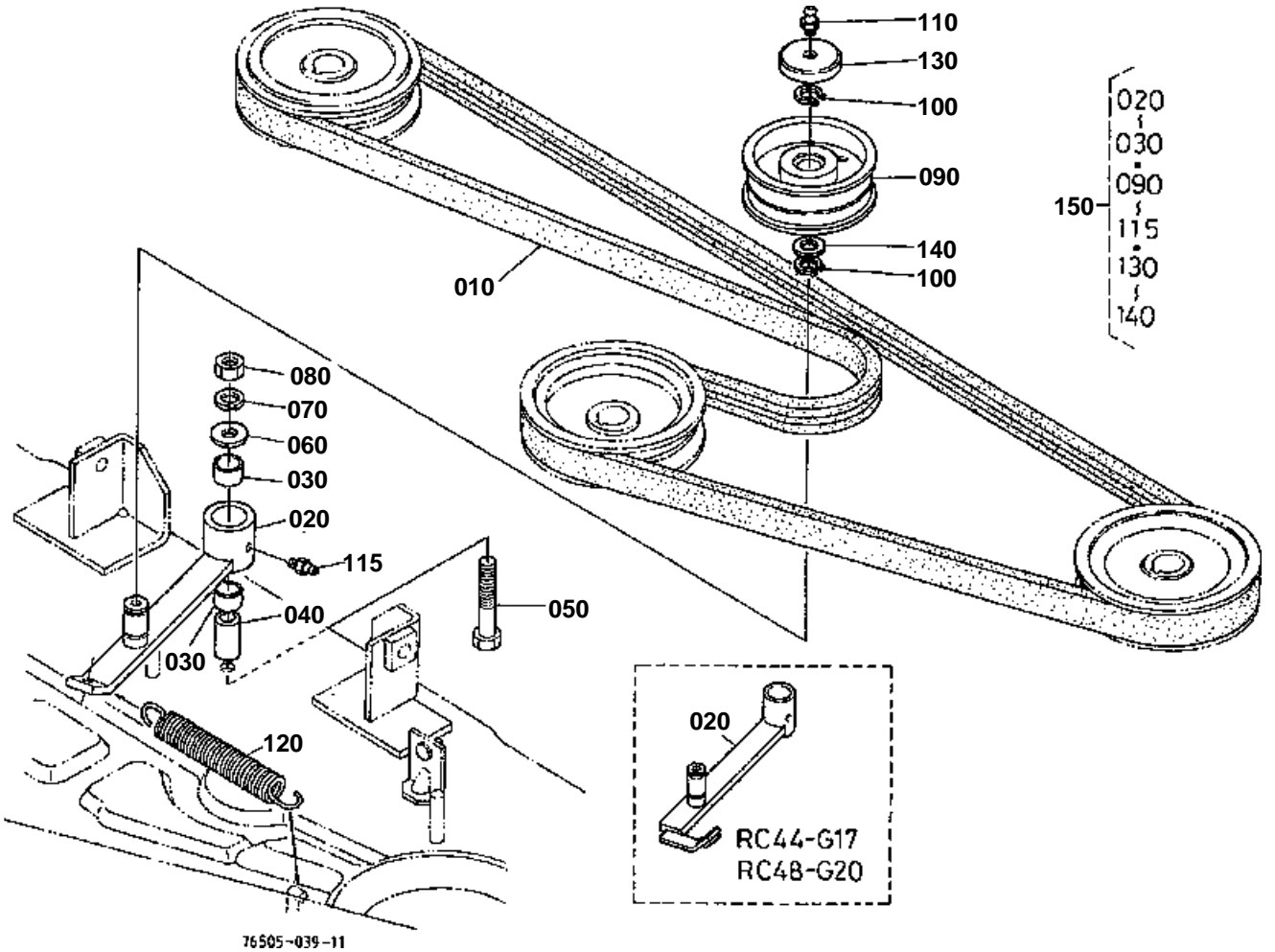


SIDE PULLEY/BLADE

↔ Interchangeable; ≠ not interchangeable; ← new for old; → old for new

| REF.No | Part No. | Description | Q'ty | S.No. | I/C | REMARKS | Weight (kgf) | Weight (lb) |
|--------|-------------|--------------------|------|---------|-----|---------|--------------|-------------|
| 010 | 76539-34510 | HOLDER PULLEY LH | 1 | ←=21244 | | | 1.77 | 3.894 |
| 010 | 76539-34514 | HOLDER PULLEY LH | 1 | ≧=30001 | ≠ | | 0 | 0 |
| 010 | 76539-34515 | HOLDER PULLEY LH | 1 | ≧=32075 | ← | | 2.28 | 5.016 |
| 020 | 76539-34520 | HOLDER PULLEY RH | 1 | ←=21244 | | | 1.82 | 4.004 |
| 020 | 76539-34524 | HOLDER PULLEY RH | 1 | ≧=30001 | ≠ | | 0 | 0 |
| 020 | 76539-34525 | HOLDER PULLEY RH | 1 | ≧=32075 | ← | | 2.4 | 5.28 |
| 030 | 76539-34320 | HOLDER PLATE | 2 | ←=32074 | | | 0 | 0 |
| 030 | 76539-34323 | HOLDER PLATE | 2 | ≧=32075 | ← | | 0.25 | 0.55 |
| 040 | 01133-51225 | BOLT | 8 | | | | 0.038 | 0.0836 |
| 050 | 76539-34530 | SHAFT BLADE RH | 1 | ←=11089 | | | 0.42 | 0.924 |
| 050 | 76539-34540 | SHAFT BLADE RH | 1 | ≧=20001 | ≠ | | 0 | 0 |
| 050 | 76539-34542 | SHAFT BLADE RH | 1 | ≧=30001 | ≠ | | 0.515 | 1.133 |
| 050 | 76539-34544 | SHAFT BLADE RH | 1 | ≧=32075 | ≠ | | 0.51 | 1.122 |
| 060 | 76539-34560 | SHAFT BLADE LH | 1 | ←=11089 | | | 0.4 | 0.88 |
| 060 | 76539-34550 | SHAFT BLADE LH | 1 | ≧=20001 | ≠ | | 0.43 | 0.946 |
| 060 | 76539-34552 | SHAFT BLADE LH | 1 | ≧=30001 | ≠ | | 0.5 | 1.1 |
| 060 | 76539-34554 | SHAFT BLADE LH | 1 | ≧=32075 | ≠ | | 0.48 | 1.056 |
| 070 | 08101-06205 | BEARING BALL | 4 | | | | 0.14 | 0.308 |
| 080 | 70722-34120 | SEAL OIL | 2 | | | | 0.025 | 0.055 |
| 090 | 04611-00520 | CIR CLIP INTERNAL | 4 | | | | 0.009 | 0.0198 |
| 100 | 09500-35528 | SEAL OIL | 2 | ←=31582 | | | 0.017 | 0.0374 |
| 100 | 70725-34162 | SEAL OIL | 2 | ≧=31583 | ← | | 0.024 | 0.0528 |
| 110 | 06613-10675 | NIPPLE GREASE | 1 | | | | 0.003 | 0.0066 |
| 120 | 76539-33570 | PULLEY SIDE RH | 1 | | | | 1.71 | 3.762 |
| 130 | 76539-33580 | PULLEY SIDE LH | 1 | | | | 1.7 | 3.74 |
| 140 | 05712-00722 | KEY FEATHER | 2 | | | | 0.009 | 0.0198 |
| 150 | 70721-34560 | WASHER PLAIN | 2 | | | | 0.01 | 0.022 |
| 160 | 70725-33600 | WASHER SPRING | 2 | ←=32074 | | | 0.015 | 0.033 |
| 160 | 04512-60160 | WASHER SPRING | 2 | ≧=32075 | ≠ | | 0.01 | 0.022 |
| 170 | 70725-33560 | NUT | 2 | ←=32074 | | | 0.012 | 0.0264 |
| 170 | 02172-50160 | NUT | 2 | ≧=32075 | ≠ | | 0.017 | 0.0374 |
| 180 | 76539-34132 | PIPE EXTENSION | 1 | | | | 0.01 | 0.022 |
| 190 | 03410-50606 | SCREW SET | 1 | | | | 0.001 | 0.0022 |
| 200 | 06613-10675 | NIPPLE GREASE | 1 | | | | 0.003 | 0.0066 |
| 210 | 76539-34150 | BOSS BLADE | 2 | ←=11089 | | | 0.28 | 0.616 |
| 210 | 76539-34160 | BOSS BLADE | 2 | ≧=20001 | ≠ | | 0.42 | 0.924 |
| 210 | 76539-34150 | BOSS BLADE | 2 | ≧=30001 | ≠ | | 0.28 | 0.616 |
| 220 | 04612-00220 | CIRCLIP EXTERNAL | 2 | | | | 0.001 | 0.0022 |
| 230 | 76539-34330 | BLADE | 2 | | | | 1.6 | 3.52 |
| 240 | 76550-34350 | RETAINER BLADE | 4 | | | | 0.075 | 0.165 |
| 250 | 76539-34390 | JOINT BLADE BOSS | 2 | | | | 0 | 0 |
| 260 | 76539-34372 | BOLT LOCKING BLADE | 2 | | | | 0.05 | 0.11 |

TENSION PULLEY



**TENSION PULLEY**

↔ Interchangeable; ≠ not interchangeable; ← new for old; → old for new

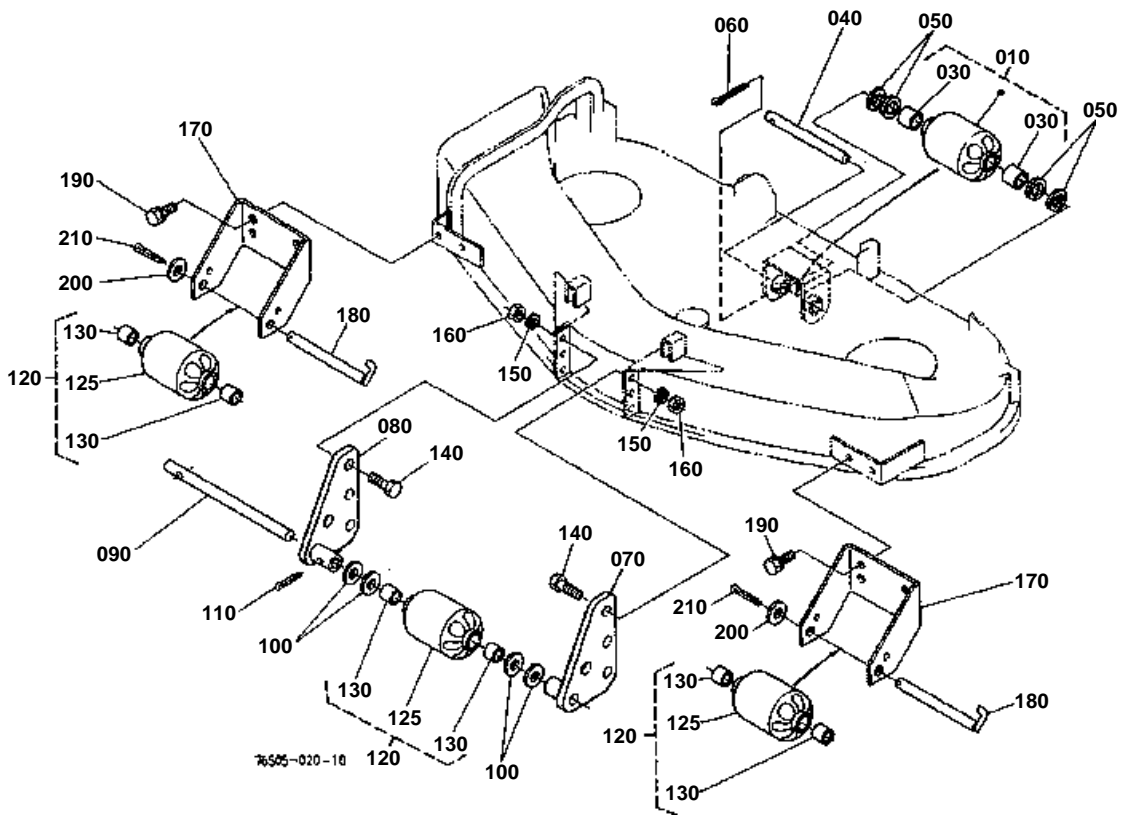
| REF.No | Part No. | Description | Q'ty | S.No. | I/C | REMARKS | Weight (kgf) | Weight (lb) |
|--------|-------------|---------------------|------|--------|-----|---------|--------------|-------------|
| 010 | 76539-34710 | BELT MULTI | 1 | | | 118IN | 1.1 | 2.42 |
| 020 | 76539-34733 | ARM TENSION | 1 | ≤30746 | | | 0.55 | 1.21 |
| 020 | 76539-34734 | ARM TENSION | 1 | ≥30747 | ≠ | | 0.6 | 1.32 |
| 030 | 08511-02020 | BUSH | 2 | | | | 0.01 | 0.022 |
| 040 | 76539-34780 | COLLAR TENSION | 1 | | | | 0.06 | 0.132 |
| 050 | 01173-51270 | BOLT | 1 | | | | 0.067 | 0.1474 |
| 060 | 04015-60120 | WASHER PLAIN | 1 | | | | 0.022 | 0.0484 |
| 070 | 04512-60120 | WASHER SPRING | 1 | | | | 0.005 | 0.011 |
| 080 | 02172-50120 | NUT | 1 | | | | 0.01 | 0.022 |
| 090 | 76539-34880 | ASSY PULLEY TENSION | 1 | ≤30746 | | | 0 | 0 |
| 090 | 76539-34883 | ASSY PULLEY TENSION | 1 | ≥30747 | ← | | 0.42 | 0.924 |
| 100 | 04612-00170 | CIRCLIP EXTERNAL | 2 | | | | 0.001 | 0.0022 |
| 110 | 06613-10675 | NIPPLE GREASE | 2 | ≤30746 | | | 0.003 | 0.0066 |
| 110 | 76539-12100 | NIPPLE GREASE | 1 | ≥30747 | ≠ | | 0.005 | 0.011 |
| 115 | 76543-12100 | NIPPLE GREASE | 1 | ≥30747 | | | 0.003 | 0.0066 |
| 120 | 76539-34750 | SPRING TENSION | 1 | | | | 0.18 | 0.396 |
| 130 | 76539-34790 | COVER TENSION | 1 | ≥30747 | | | 0.03 | 0.066 |
| 140 | 76539-34800 | SEAL BEARING | 1 | ≥30747 | | | 0.001 | 0.0022 |
| 150 | 76539-99410 | KIT PULLEY TENSION | 1 | | | | 0.98 | 2.156 |

**MOWER DECK**

↔ Interchangeable; ≠ not interchangeable; ← new for old; → old for new

| REF.No | Part No. | Description | Q'ty | S.No. | I/C | REMARKS | Weight (kgf) | Weight (lb) |
|--------|-------------|----------------------|------|---------|-----|---------|--------------|-------------|
| 010 | 76508-41160 | DECK MOWER | 1 | <=11089 | | | 0 | 0 |
| 010 | 76508-41163 | DECK MOWER | 1 | >=20001 | ← | | 0 | 0 |
| 010 | 76508-41164 | DECK MOWER | 1 | >=20080 | ≠ | | 89 | 195.8 |
| 010 | 76508-41166 | DECK MOWER | 1 | >=30001 | ≠ | | 56 | 123.2 |
| 020 | 76508-41180 | COVER LH | 1 | | | | 1.64 | 3.608 |
| 030 | 04013-50080 | WASHER PLAIN | 4 | | | | 0 | 0 |
| 040 | 04512-60080 | WASHER SPRING | 4 | | | | 0.002 | 0.0044 |
| 050 | 02114-50080 | NUT | 4 | | | | 0.005 | 0.011 |
| 060 | 76508-41200 | COVER RH | 1 | | | | 1.42 | 3.124 |
| 080 | 66071-61780 | LABEL CAUTION | 1 | | | | 0.005 | 0.011 |
| 090 | 66071-61790 | LABEL CAUTION | 1 | | | | 0.002 | 0.0044 |
| 100 | 76508-47160 | LABEL CUTTING HEIGHT | 1 | <=21244 | | | 0.002 | 0.0044 |
| 100 | 76508-47162 | LABEL CUTTING HEIGHT | 1 | >=30001 | ≠ | | 0.001 | 0.0022 |
| 110 | 76539-34570 | LABEL BLADE | 1 | | | | 0.003 | 0.0066 |
| 120 | 76539-41100 | BAR FRONT LH | 1 | >=30001 | | | 0.7 | 1.54 |
| 130 | 76539-41120 | BAR FRONT RH | 1 | >=30001 | | | 0.8 | 1.76 |
| 140 | 01053-50516 | BOLT | 8 | >=30001 | | | 0.003 | 0.0066 |
| 150 | 04512-50050 | WASHER SPRING | 9 | >=30001 | | | 0 | 0 |
| 160 | 04013-60050 | WASHER PLAIN | 9 | >=30001 | | | 0.001 | 0.0022 |
| 170 | 76547-71202 | NAME PLATE | 1 | >=10895 | | | 0 | 0 |
| 180 | 76539-34830 | LABEL GREASE UP | 1 | >=30747 | | | 0.002 | 0.0044 |
| 190 | 76543-41100 | CLAMP | 2 | | | OPTION | 0.06 | 0.132 |

FRONT WHEEL



010 70722-4615-0

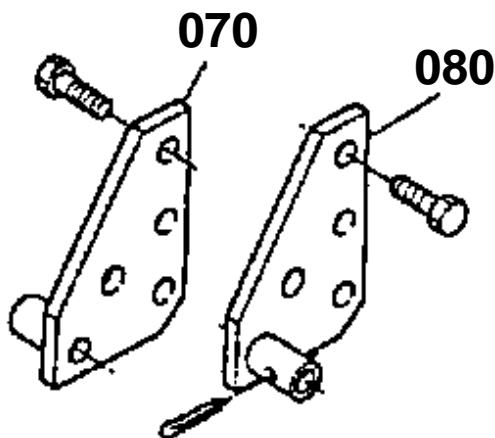
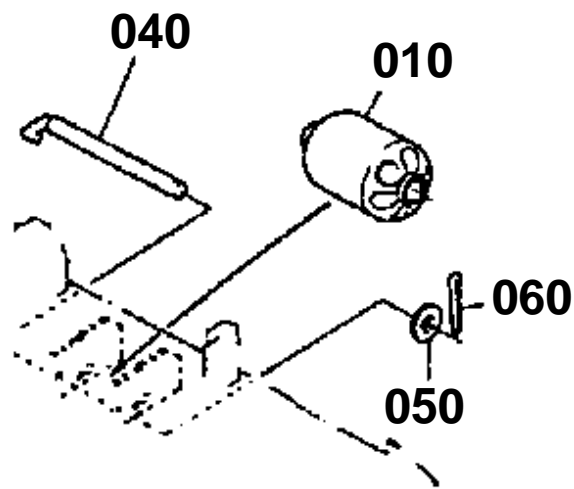
040 70720-4618-3

050 04011-50120

060 05511-50425

070 76508-4481-0

080 76508-4482-0



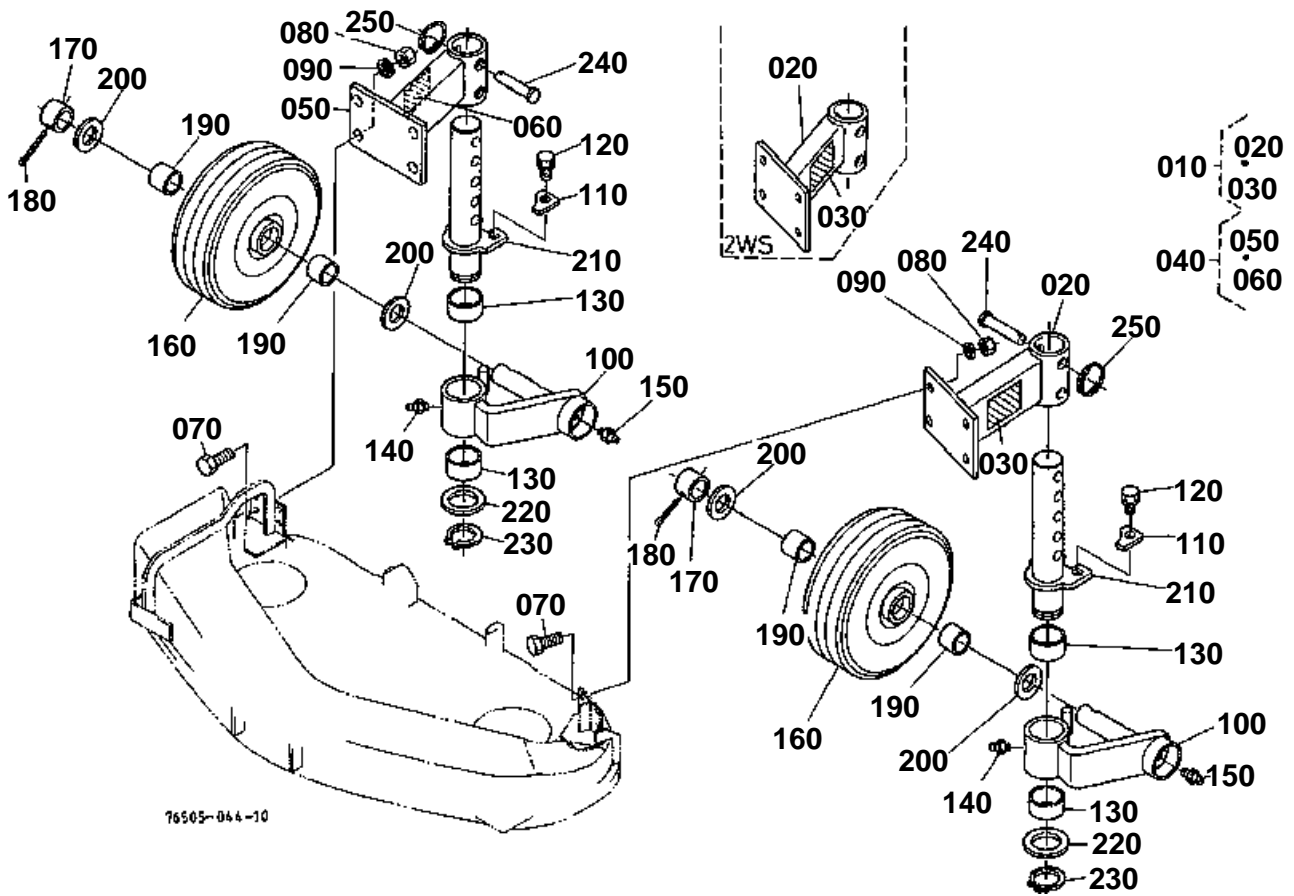
76505-821-10

**FRONT WHEEL**

↔ Interchangeable; ≠ not interchangeable; ← new for old; → old for new

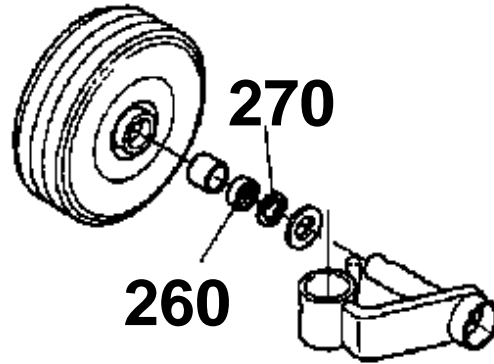
| REF.No | Part No. | Description | Q'ty | S.No. | I/C | REMARKS | Weight (kgf) | Weight (lb) |
|--------|-------------|----------------------|------|--------|-----|---------|--------------|-------------|
| 010 | 70722-46150 | ROLLER ANTI-SCALP | 1 | ≤11089 | | | 0 | 0 |
| 010 | 76507-46250 | ASSY ROLL.ANTI-SCALP | 1 | ≥20001 | ← | | 0.28 | 0.616 |
| 030 | 08511-01220 | BUSH | 2 | | | | 0.004 | 0.0088 |
| 040 | 70720-46183 | PIN GAUGE WHEEL | 1 | ≤20079 | | | 0.125 | 0.275 |
| 040 | 76505-46182 | PIN GAUGE WHEEL | 1 | ≥20080 | ≠ | | 0.22 | 0.484 |
| 050 | 04011-50120 | WASHER PLAIN | 1 | ≤20079 | | | 0.005 | 0.011 |
| 050 | 04011-50120 | WASHER PLAIN | 4 | ≥20080 | | | 0.005 | 0.011 |
| 060 | 05511-50425 | PIN SPLIT | 1 | ≤20079 | | | 0.003 | 0.0066 |
| 060 | 05511-50530 | PIN SPLIT | 1 | ≥20080 | ≠ | | 0.006 | 0.0132 |
| 070 | 76508-44810 | BRACKET LH | 1 | ≤20079 | | | 0.54 | 1.188 |
| 070 | 76508-44812 | BRACKET LH | 1 | ≥20080 | ≠ | | 0.54 | 1.188 |
| 080 | 76508-44820 | BRACKET RH | 1 | ≤20079 | | | 0.54 | 1.188 |
| 080 | 76508-44822 | BRACKET RH | 1 | ≥20080 | ≠ | | 0.5 | 1.1 |
| 090 | 76505-46180 | PIN GAUGE WHEEL | 1 | ≤20177 | | | 0 | 0 |
| 090 | 76505-46182 | PIN GAUGE WHEEL | 1 | ≥20178 | ≠ | | 0.22 | 0.484 |
| 100 | 04011-50120 | WASHER PLAIN | 4 | | | | 0.005 | 0.011 |
| 110 | 05511-50525 | PIN SPLIT | 1 | ≤20177 | | | 0.005 | 0.011 |
| 110 | 05511-50530 | PIN SPLIT | 1 | ≥20178 | ≠ | | 0.006 | 0.0132 |
| 120 | 76559-46250 | ASSY ROLL.ANTI-SCALP | 3 | | | | 0.38 | 0.836 |
| 125 | 70722-46150 | ASSY ROLLER ANTI-SCA | 3 | | | | 0 | 0 |
| 130 | 08511-01220 | BUSH | 6 | | | | 0.004 | 0.0088 |
| 140 | 01173-51030 | BOLT | 6 | | | | 0.023 | 0.0506 |
| 150 | 04512-60100 | WASHER SPRING | 6 | | | | 0.002 | 0.0044 |
| 160 | 02118-50100 | NUT | 6 | | | | 0.005 | 0.011 |
| 170 | 76550-46110 | STAY ROLLER | 2 | | | | 0.71 | 1.562 |
| 180 | 70720-46183 | PIN GAUGE WHEEL | 2 | | | | 0.125 | 0.275 |
| 190 | 01133-51025 | BOLT | 4 | | | | 0.023 | 0.0506 |
| 200 | 04011-50120 | WASHER PLAIN | 2 | | | | 0.005 | 0.011 |
| 210 | 05511-50425 | PIN SPLIT | 2 | | | | 0.003 | 0.0066 |

REAR WHEEL



260 09220-20284

270 04611-00280



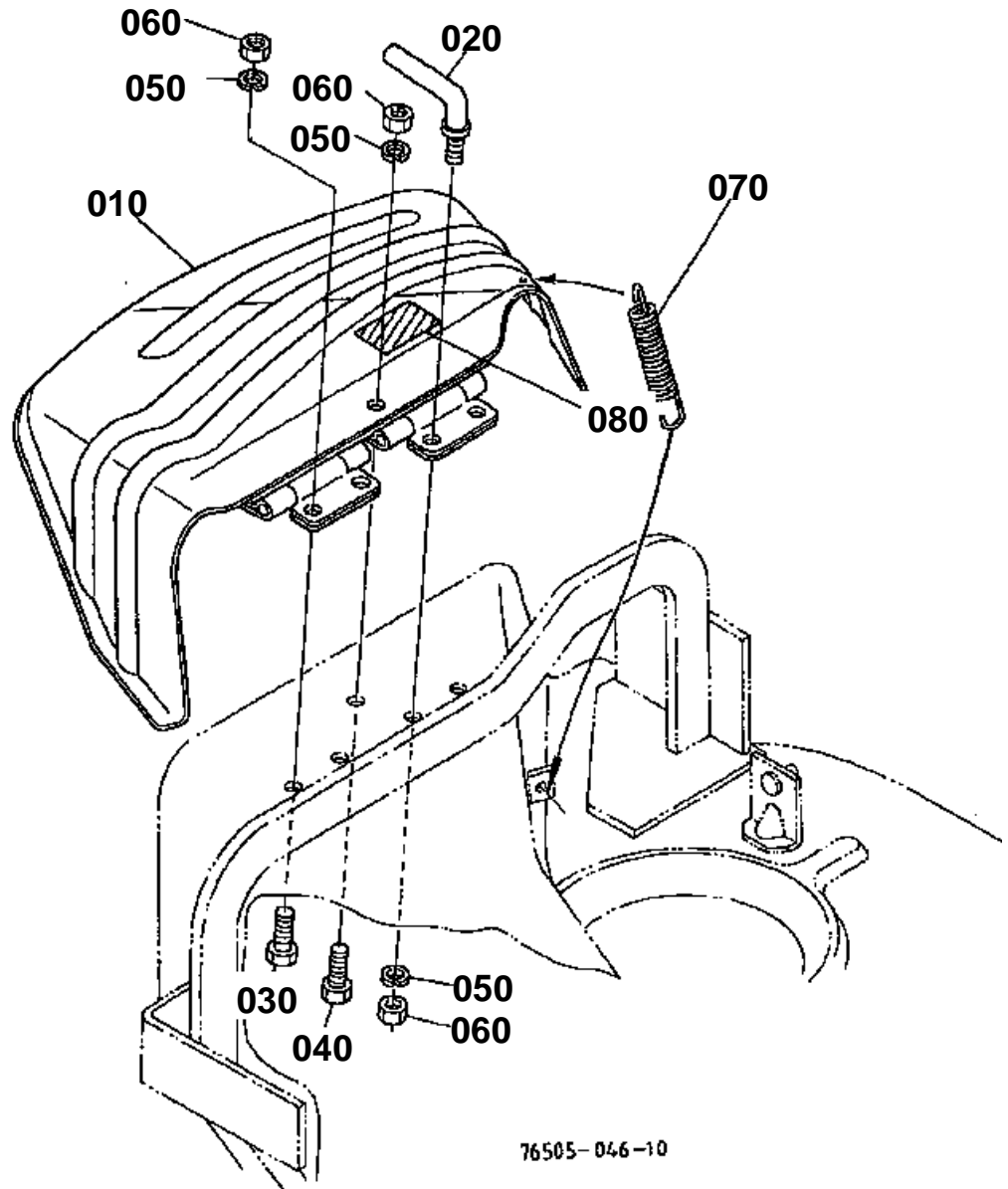
76505-809-10

**REAR WHEEL**

↔ Interchangeable; ≠ not interchangeable; ← new for old; → old for new

| REF.No | Part No. | Description | Q'ty | S.No. | I/C | REMARKS | Weight (kgf) | Weight (lb) |
|--------|-------------|----------------------|------|--------|-----|---------|--------------|-------------|
| 010 | 76508-43320 | ASSY SUPPORT R/W LH | 1 | ≤21244 | | 2WS | 1.16 | 2.552 |
| 010 | 76508-43322 | ASSY SUPPORT R/W LH | 1 | ≥30001 | ≠ | 2WS | 1.2 | 2.64 |
| 010 | 76508-43310 | ASSY SUPPORT R/W LH | 1 | ≤21244 | | 4WS | 1.03 | 2.266 |
| 010 | 76508-43312 | ASSY SUPPORT R/W LN | 1 | ≥30001 | ≠ | 4WS | 1 | 2.2 |
| 020 | 76508-43120 | SUPPORT REAR WHEEL L | 1 | ≤21244 | | 2WS | 1.14 | 2.508 |
| 020 | 76508-43122 | SUPPORT REAR WHEEL L | 1 | ≥30001 | ≠ | 2WS | 1.14 | 2.508 |
| 020 | 76508-43110 | SUPPORT REAR WHEEL L | 1 | ≤21244 | | 4WS | 1.02 | 2.244 |
| 020 | 76508-43112 | SUPPORT REAR WHEEL L | 1 | ≥30001 | ≠ | 4WS | 1 | 2.2 |
| 030 | 76508-43220 | LABEL | 1 | | | 2WS | 0.001 | 0.0022 |
| 030 | 76508-43210 | LABEL | 1 | | | 4WS | 0.001 | 0.0022 |
| 040 | 76508-43330 | ASSY SUPPORT R/W RH | 1 | ≤21244 | | | 1.03 | 2.266 |
| 040 | 76508-43332 | SUPPORT REAR WHEEL R | 1 | ≥30001 | ≠ | | 1 | 2.2 |
| 050 | 76508-43130 | SUPPORT REAR WHEEL | 1 | ≤21244 | | | 1.02 | 2.244 |
| 050 | 76508-43132 | SUPPORT REAR WHEEL | 1 | ≥30001 | ≠ | | 1 | 2.2 |
| 060 | 76508-43230 | LABEL | 1 | | | | 0.001 | 0.0022 |
| 070 | 01173-51025 | BOLT | 8 | | | | 0.021 | 0.0462 |
| 080 | 02118-50100 | NUT | 8 | | | | 0.005 | 0.011 |
| 090 | 04512-60100 | WASHER SPRING | 8 | | | | 0.002 | 0.0044 |
| 100 | 76508-42150 | STAY REAR WHEEL | 2 | | | | 1.1 | 2.42 |
| 110 | 76508-42180 | PIECE CONTROL | 2 | | | | 0.03 | 0.066 |
| 120 | 01133-51014 | BOLT | 2 | | | | 0.015 | 0.033 |
| 130 | 70722-42190 | BUSH | 4 | | | | 0.045 | 0.099 |
| 140 | 06613-10675 | NIPPLE GREASE | 2 | | | | 0.003 | 0.0066 |
| 150 | 06613-10675 | NIPPLE GREASE | 2 | | | | 0.003 | 0.0066 |
| 160 | 76521-42110 | FRONT WHEEL | 2 | | | | 1.8 | 3.96 |
| 170 | 70712-42140 | COLLAR | 2 | | | | 0.068 | 0.1496 |
| 180 | 05511-50545 | PIN SPLIT | 2 | | | | 0.01 | 0.022 |
| 190 | 70722-44190 | BUSH | 4 | | | | 0.041 | 0.0902 |
| 200 | 04013-50200 | WASHER PLAIN | 4 | | | | 0.02 | 0.044 |
| 210 | 76508-43180 | LEG D-R-W 2 | 2 | | | | 0.5 | 1.1 |
| 220 | 70722-43130 | COLLAR FRONT WHEEL | 2 | | | | 0.015 | 0.033 |
| 230 | 04612-00300 | CIRCLIP EXTERNAL | 2 | | | | 0.003 | 0.0066 |
| 240 | 05122-51050 | PIN JOINT | 2 | | | | 0.032 | 0.0704 |
| 250 | 76550-42190 | RING SNAP | 2 | ≤32221 | | | 0.004 | 0.0088 |
| 250 | 70712-51140 | RING SNAP | 2 | ≥32222 | ↔ | | 0.009 | 0.0198 |
| 260 | 09220-20284 | SEAL OIL | 4 | ≤20432 | | | 0.004 | 0.0088 |
| 270 | 04611-00280 | CIR CLIP INTERNAL | 4 | ≤20432 | | | 0.002 | 0.0044 |

DISCHARGE COVER



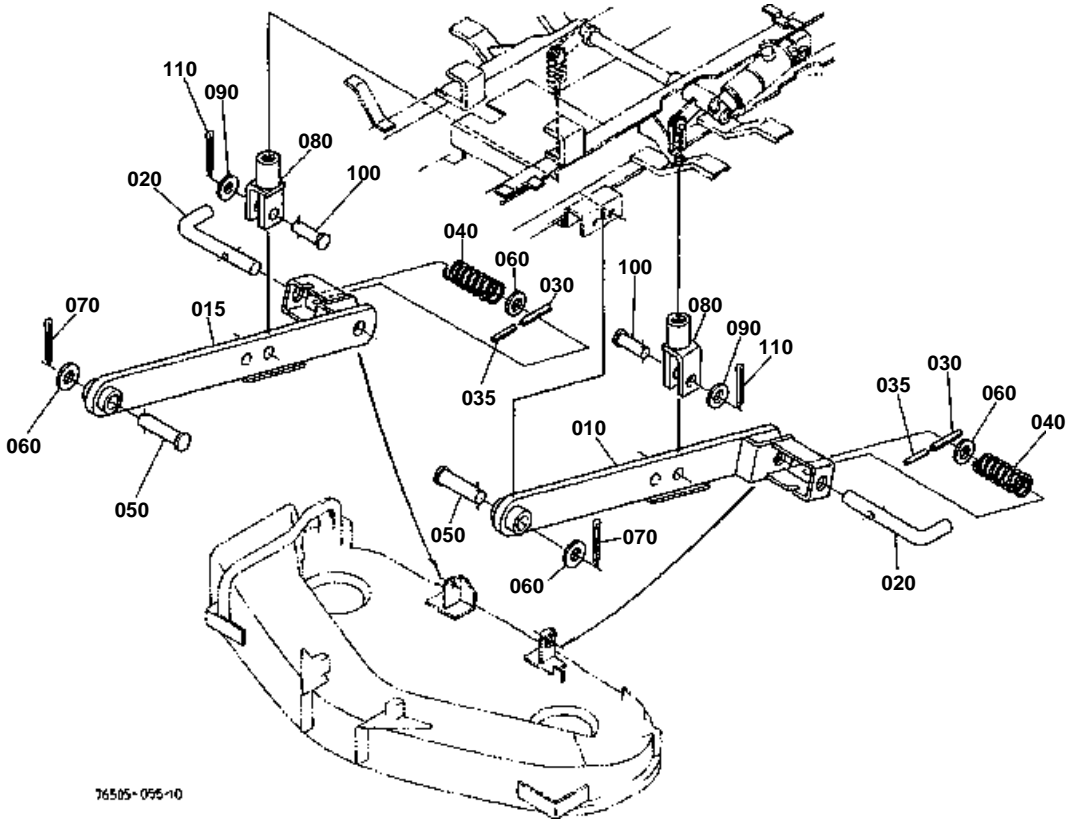


DISCHARGE COVER

↔ Interchangeable; ≠ not interchangeable; ← new for old; → old for new

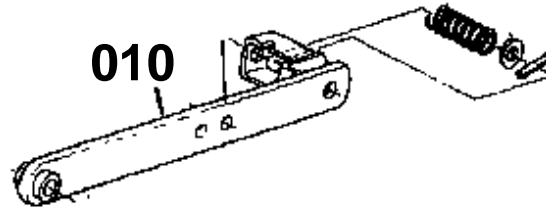
| REF.No | Part No. | Description | Q'ty | S.No. | I/C | REMARKS | Weight (kgf) | Weight (lb) |
|--------|-------------|---------------|------|--------|-----|---------|--------------|-------------|
| 010 | 76539-47114 | COVER CHUTE | 1 | ≤21244 | | | 0 | 0 |
| 010 | 76539-47115 | COVER CHUTE | 1 | ≥30001 | ≠ | | 4.5 | 9.9 |
| 020 | 70721-47130 | STOPPER CHUTE | 1 | | | | 0.05 | 0.11 |
| 030 | 01173-51025 | BOLT | 3 | | | | 0.021 | 0.0462 |
| 040 | 01173-51028 | BOLT | 1 | | | | 0.022 | 0.0484 |
| 050 | 04512-60100 | WASHER SPRING | 5 | | | | 0.002 | 0.0044 |
| 060 | 02118-50100 | NUT | 5 | | | | 0.005 | 0.011 |
| 070 | 70722-47120 | SPRING | 1 | | | | 0.06 | 0.132 |

REAR LINKAGE



76505-095-10

010 76508-5113-0



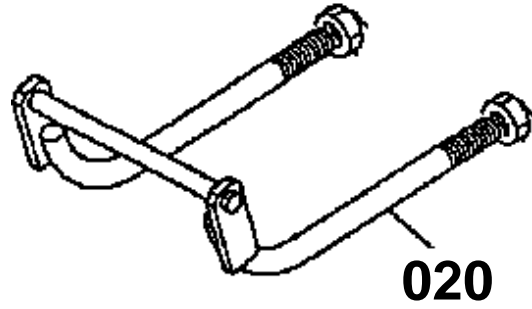
66101-818-10

**REAR LINKAGE**

↔ Interchangeable; ≠ not interchangeable; ← new for old; → old for new

| REF.No | Part No. | Description | Q'ty | S.No. | I/C | REMARKS | Weight (kgf) | Weight (lb) |
|--------|-------------|------------------|------|---------|-----|---------|--------------|-------------|
| 010 | 76508-51130 | LINK REAR LH | 2 | ←=20079 | | | 1.3 | 2.86 |
| 010 | 76508-51132 | LINK REAR LH | 1 | ≥=20080 | ← | | 1.4 | 3.08 |
| 015 | 76508-51150 | LINK REAR LH | 1 | ≥=20080 | | | 1.4 | 3.08 |
| 020 | 76539-44650 | PIN HINGE | 2 | | | | 0.19 | 0.418 |
| 030 | 05411-00540 | PIN SPRING | 2 | | | | 0.004 | 0.0088 |
| 035 | 05411-00332 | PIN SPRING | 2 | ≥=30198 | | | 0.001 | 0.0022 |
| 040 | 76539-44670 | SPRING HINGE PIN | 2 | | | | 0.01 | 0.022 |
| 050 | 05122-51455 | PIN JOINT | 2 | | | | 0.068 | 0.1496 |
| 060 | 04011-50140 | WASHER PLAIN | 4 | | | | 0.007 | 0.0154 |
| 070 | 05511-50430 | PIN SPLIT | 2 | | | | 0.004 | 0.0088 |
| 080 | 76505-51190 | ROD LIFT | 2 | | | | 0.16 | 0.352 |
| 090 | 04013-60120 | WASHER PLAIN | 2 | | | | 0.01 | 0.022 |
| 100 | 05122-51235 | PIN JOINT | 2 | | | | 0.034 | 0.0748 |
| 110 | 05511-50425 | PIN SPLIT | 2 | | | | 0.003 | 0.0066 |

020 76508-4461-0



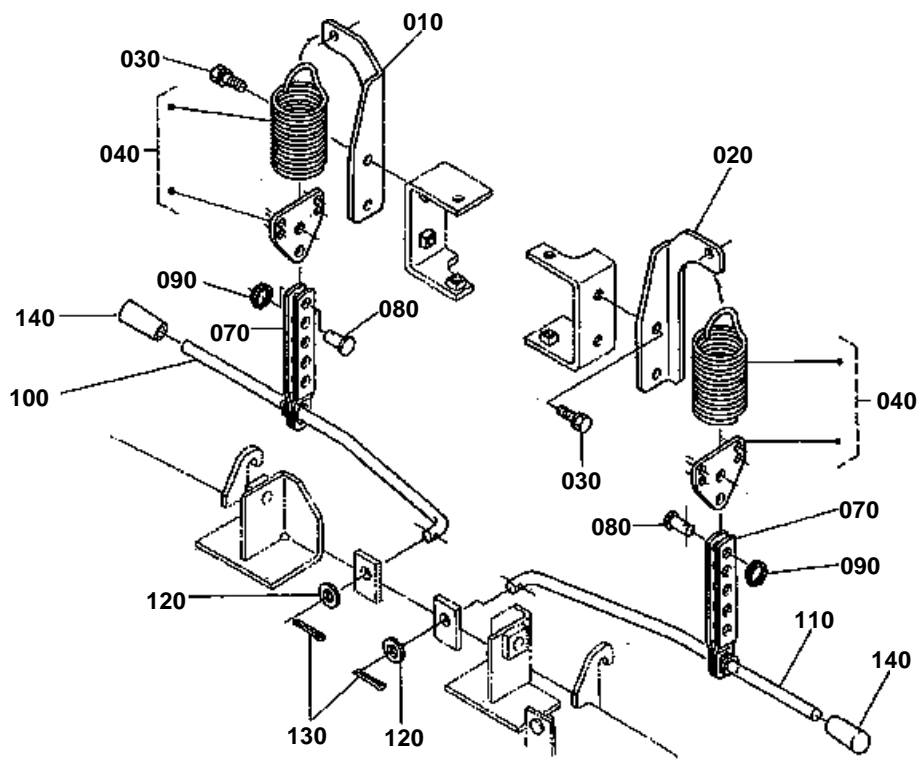
76505-822-10

**FRONT LINKAGE**

↔ Interchangeable; ≠ not interchangeable; ← new for old; → old for new

| REF.No | Part No. | Description | Q'ty | S.No. | I/C | REMARKS | Weight (kgf) | Weight (lb) |
|--------|-------------|--------------------|------|---------|-----|---------|--------------|-------------|
| 010 | 76508-44630 | LINK FRONT | 2 | | | | 0.28 | 0.616 |
| 020 | 76508-44610 | LINK FRONT | 1 | ≤=32782 | | | 0 | 0 |
| 020 | 76508-44614 | LINK FRONT | 1 | ≥=32783 | ← | | 2.54 | 5.588 |
| 030 | 05122-51435 | PIN JOINT | 2 | | | | 0.05 | 0.11 |
| 040 | 04011-50140 | WASHER PLAIN | 2 | | | | 0.007 | 0.0154 |
| 050 | 70712-51140 | RING SNAP | 2 | | | | 0.009 | 0.0198 |
| 060 | 76508-44580 | LEVER LINK FULCRUM | 1 | | | | 1.14 | 2.508 |
| 070 | 76508-44590 | HOLDER LINK | 1 | | | | 0.26 | 0.572 |
| 080 | 05411-00630 | PIN SPRING | 1 | | | | 0.004 | 0.0088 |
| 090 | 06914-00120 | GRIP LEVER | 1 | | | | 0.018 | 0.0396 |
| 100 | 76539-44540 | PIN HINGE | 1 | | | | 0.15 | 0.33 |
| 110 | 76539-44560 | SPRING HINGE PIN | 1 | | | | 0.005 | 0.011 |
| 120 | 05411-00540 | PIN SPRING | 1 | | | | 0.004 | 0.0088 |
| 130 | 05411-00320 | PIN SPRING | 1 | | | | 0.001 | 0.0022 |
| 140 | 04011-50140 | WASHER PLAIN | 1 | | | | 0.007 | 0.0154 |
| 150 | 02172-50200 | NUT | 2 | | | | 0.03 | 0.066 |

MOWER ASSIST SPRING



76505-027-10



MOWER ASSIST SPRING
S.No.;>=30001

↔ Interchangeable; ≠ not interchangeable; ← new for old; → old for new

| REF.No | Part No. | Description | Q'ty | S.No. | I/C | REMARKS | Weight (kgf) | Weight (lb) |
|--------|-------------|--------------|------|-------|-----|---------|--------------|-------------|
| 010 | 76508-15100 | STAY RH | 1 | | | | 0.5 | 1.1 |
| 020 | 76508-15110 | STAY LH | 1 | | | | 0.5 | 1.1 |
| 030 | 01123-50818 | BOLT | 4 | | | | 0.012 | 0.0264 |
| 040 | 76508-15410 | ASSY SPRING | 2 | | | | 0.57 | 1.254 |
| 070 | 76508-15300 | ROD | 2 | | | | 0.17 | 0.374 |
| 080 | 05122-51022 | PIN JOINT | 2 | | | | 0.014 | 0.0308 |
| 090 | 76550-42190 | RING SNAP | 2 | | | | 0.004 | 0.0088 |
| 100 | 76508-15200 | LEVER RH | 1 | | | | 0.44 | 0.968 |
| 110 | 76508-15210 | LEVER LH | 1 | | | | 0.44 | 0.968 |
| 120 | 04011-50120 | WASHER PLAIN | 2 | | | | 0.005 | 0.011 |
| 130 | 05511-50322 | PIN SPLIT | 2 | | | | 0.002 | 0.0044 |
| 140 | 06914-00120 | GRIP LEVER | 2 | | | | 0.018 | 0.0396 |



ACCESSORIES AND SERVICE PARTS

↔ Interchangeable; ≠ not interchangeable; ← new for old; → old for new

| REF.No | Part No. | Description | Q'ty | S.No. | I/C | REMARKS | Weight (kgf) | Weight (lb) |
|--------|-------------|--------------------|------|-------|-----|------------|--------------|-------------|
| 015 | 76505-71116 | MANUAL INSTRUCTION | 1 | | | | 0.07 | 0.154 |
| 020 | 76539-99000 | KIT BLADE | 1 | | | REF.No.030 | 4.85 | 10.67 |
| 030 | 76539-34330 | BLADE | 3 | | | | 1.6 | 3.52 |