

Instructions for Parts Books

The heading at the top of the page will be the same for the picture of the parts as it is for the page with the part numbers.

Definition of column headings on part number pages:

REF.No → The number referring to the part on the picture page of the parts book.

Part No. → The number assigned to this part at the time of printing the parts book.

Description → Description of part.

Q'ty → Quantity of part used on that page.

S.No. → Serial number range of the equipment that this part will fit.

>= Your serial number should be greater than or equal to the number shown.

<= Your serial number should be lesser than or equal to the serial number shown.

I/C → Interchangeability of part shown.

↔ The part shown will work for the older and later serial number.

The part shown is not interchangeable with the other serial number.

← new for old

→ old for new

Remarks → Notes about this particular part. Sometimes this may say except [FR] or [CA]

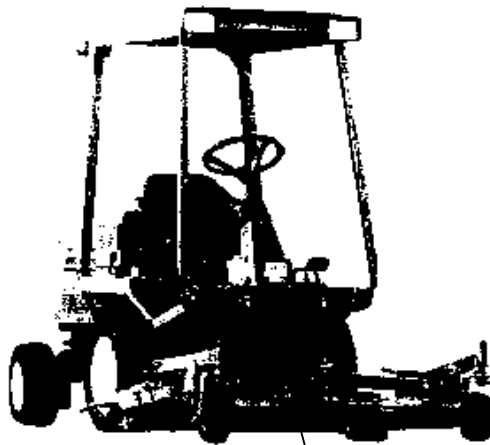
Note about Country Codes:

The parts books we use in the United States of America may also contain information about a part that would be different in another country. It is important that you are aware of the country codes in some instances.

Symbol	Country
A	United States of America
CA	Canada
FR	France
GR	Greece
PO	Portugal
AU	Australia

If the remarks column says for example EXCEPT [FR] this part works in all countries except France. That means it will work here in the USA.

ALL PRODUCT INDEX
RC72-F24(F2400)

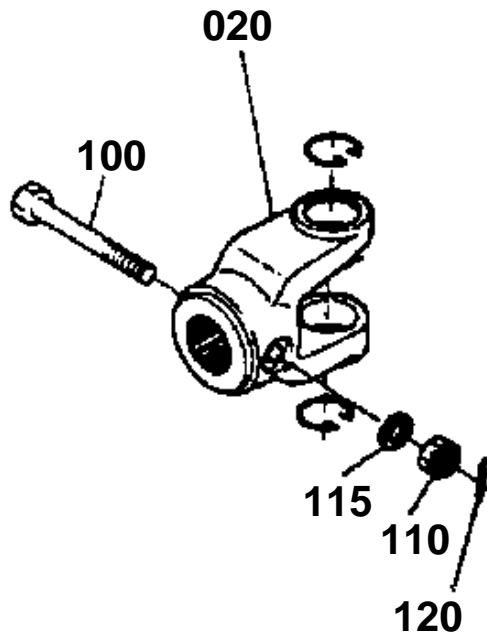
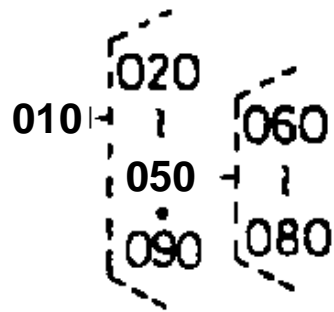


MOWER

Item	Part No.	Description	Book
MOWER	01G133	UNIVERSAL JOINT	100K0501
	01G134	BEVEL CASE	100K0501
	01G135	PULLEY HOLDER	100K0501
	01G136	BLADE	100K0501
	01G137	TENSION PULLEY	100K0501
	01G138	MOWER DECK	100K0501
	01G139	WHEEL STAY	100K0501
	01G140	REAR WHEEL	100K0501
	01G141	MOWER LINK	100K0501
	01G142	LIFT SPRING [OPTION]	100K0501
	01G144	ACCESSORIES AND SERVICE PARTS	100K0501

UNIVERSAL JOINT

- 010 76543-3207-0
- 020 70722-3113-0
- 100 70720-3120-2
- 110 02356-50080
- 115 04512-50080



76543-802-10

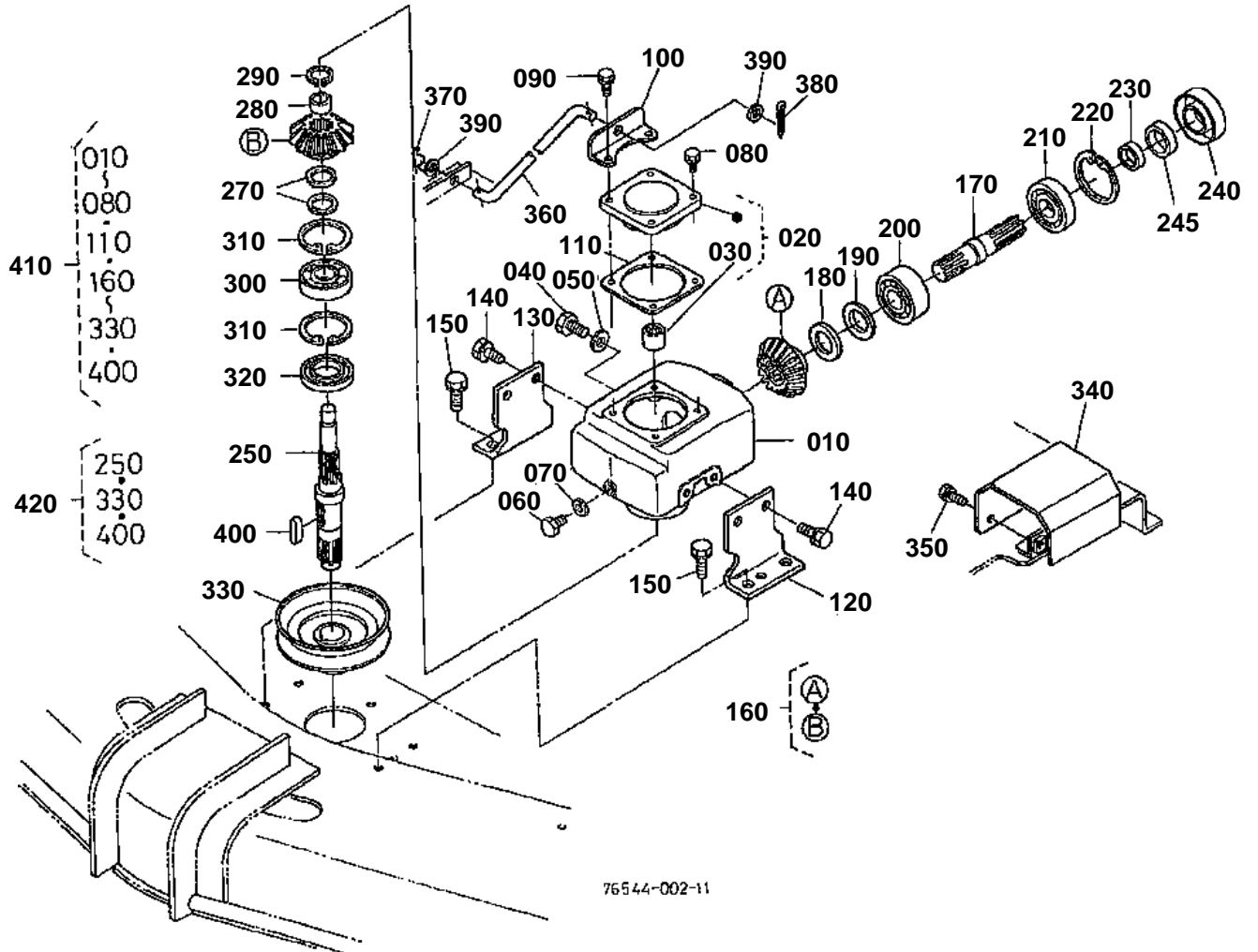


UNIVERSAL JOINT

↔ Interchangeable; ≠ not interchangeable; ← new for old; → old for new

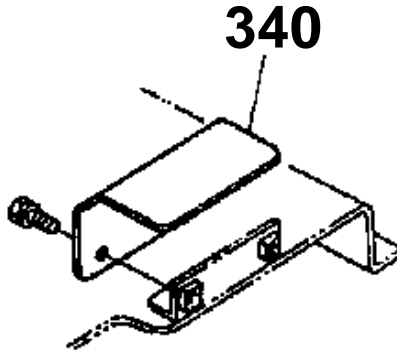
REF.No	Part No.	Description	Q'ty	S.No.	I/C	REMARKS	Weight (kgf)	Weight (lb)
010	76544-32010	JOINT UNIVERSAL	1	<=13224			0	0
010	76544-98010	KIT JOINT UNIVERSAL	1	>=13225	↔		4.3	9.46
020	70722-31130	JOINT	1	<=13224			0	0
020	70722-98140	ASSY YOKE	1	>=13225	↔		0.05	0.11
030	76543-31140	ASSY AS YOKE	1				0.37	0.814
040	76544-31150	YOKE SHAFT	1				1.3	2.86
050	70720-32110	ASSY JOINT CROSS	2				0.2	0.44
060	70720-31212	NIPPLE GREASE	2				0.006	0.0132
070	70720-31182	JOINT CROSS	2				0.21	0.462
080	70720-32120	RING SNAP	8				0.001	0.0022
090	76544-31170	YOKE SPLINE	1	<=12750			0	0
090	76544-31174	YOKE SLEEVE	1	>=12751	←		1.59	3.498
095	06613-10675	NIPPLE GREASE	1	>=12751			0.003	0.0066
100	70720-31202	BOLT	1	<=12750			0.02	0.044
100	05122-50845	PIN JOINT	1	>=12751	≠		0.018	0.0396
110	02356-50080	NUT	1	<=12750			0.004	0.0088
110	04012-50080	WASHER PLAIN	1	>=12751	≠		0.001	0.0022
115	04512-60080	WASHER SPRING	1	<=12750			0.002	0.0044
120	05511-50218	PIN SPLIT	1				0.001	0.0022
130	76550-31150	MARK	1	>=13128			0.001	0.0022

BEVEL CASE



76544-002-11

340 76543-3203-2



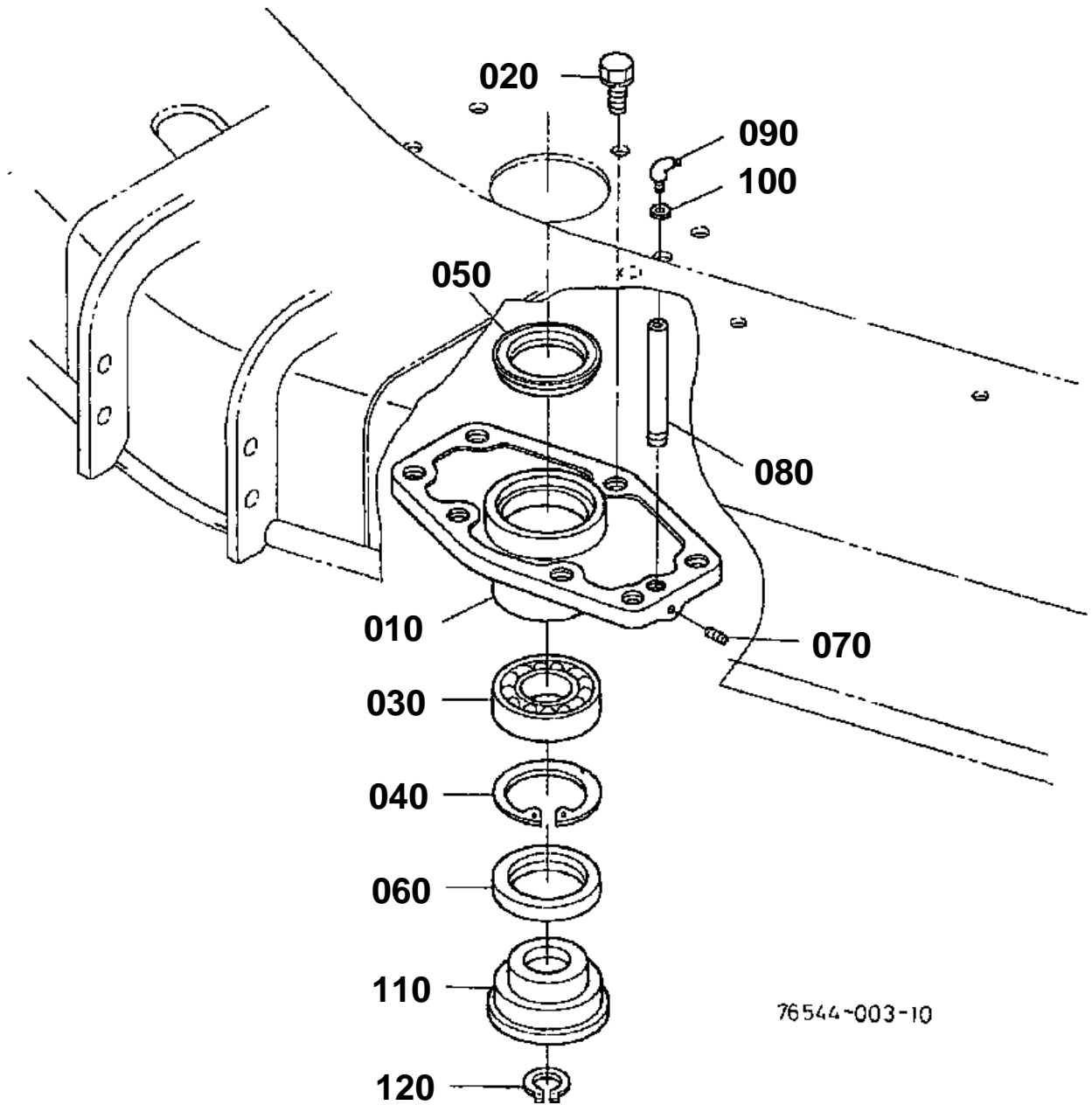
76544-803-10

**BEVEL CASE**

↔ Interchangeable; ≠ not interchangeable; ← new for old; → old for new

REF.No	Part No.	Description	Q'ty	S.No.	I/C	REMARKS	Weight (kgf)	Weight (lb)
010	76550-33110	CASE BEVEL GEAR	1				5.3	11.66
020	76550-33100	ASSY COVER BEVELCASE	1				0.51	1.122
030	76550-33580	BEARING NEEDLE	1				0.01	0.022
040	06331-35020	PLUG	1				0.068	0.1496
050	04717-02000	WASHER WITH RUBBER	1				0.004	0.0088
060	01173-51218	BOLT	1				0.028	0.0616
070	04717-01200	WASHER WITH RUBBER	1				0.002	0.0044
080	01123-60816	BOLT	2				0.01	0.022
090	01123-50820	BOLT	2				0.011	0.0242
100	76544-32040	STAY ROD	1				0.09	0.198
110	76550-33142	GASKET	1				0.001	0.0022
120	76538-33130	STAY BEVEL CASE LH	1				0.35	0.77
130	76538-33150	STAY BEVEL CASE RH	1				0.34	0.748
140	01133-61222	BOLT	4				0.035	0.077
150	01133-51235	BOLT	4				0.05	0.11
160	76544-99020	KIT GEAR BEVEL	1				0.6	1.32
170	76550-33310	SHAFT PINION	1				0.525	1.155
180	70720-33350	SHIM	1			0.2MM	0.001	0.0022
190	70720-33360	SHIM	1			0.3MM	0.001	0.0022
200	08241-05305	BEARING BALL	1				0.358	0.7876
210	08101-06305	BEARING BALL	1				0.23	0.506
220	04611-00620	CIR CLIP INTERNAL	1				0.011	0.0242
230	66591-56420	BUSH	1				0.021	0.0462
240	67121-56660	SEAL OIL	1	≤13336			0.027	0.0594
240	76535-33530	SEAL OIL	1	≥13337	↔		0.025	0.055
245	53961-16120	COLLAR	1	≥15299			0.01	0.022
250	76550-33510	SHAFT BEVEL GEAR	1				0.82	1.804
270	76550-33350	SHIM	1			0.2MM	0.001	0.0022
270	76550-33360	SHIM	1			0.3MM	0.001	0.0022
280	76550-33560	COLLAR	1				0.012	0.0264
290	04612-00220	CIRCLIP EXTERNAL	1				0.001	0.0022
300	08101-06305	BEARING BALL	1				0.23	0.506
310	04611-00620	CIR CLIP INTERNAL	2				0.011	0.0242
320	54617-22850	SEAL OIL	1	≤13336			0.03	0.066
320	76540-34350	SEAL OIL	1	≥13337	↔		0.03	0.066
330	76550-99750	PULLEY CENTER	1				1.34	2.948
340	76543-32032	COVER JOINT	1	≤13224			0	0
340	76543-32034	COVER JOINT	1	≥13225	←		0.48	1.056
350	01123-60816	BOLT	2				0.01	0.022
360	76544-32030	ROD HANGING	1				0.17	0.374
370	05515-61000	PIN SNAP	1				0.003	0.0066
380	05511-50318	PIN SPLIT	1				0.001	0.0022
390	04013-50100	WASHER PLAIN	2				0	0
400	05712-00735	KEY FEATHER	1				0.013	0.0286
410	76544-99170	ASSY CASE BEVEL GEAR	1				11.6	25.52

PULLEY HOLDER



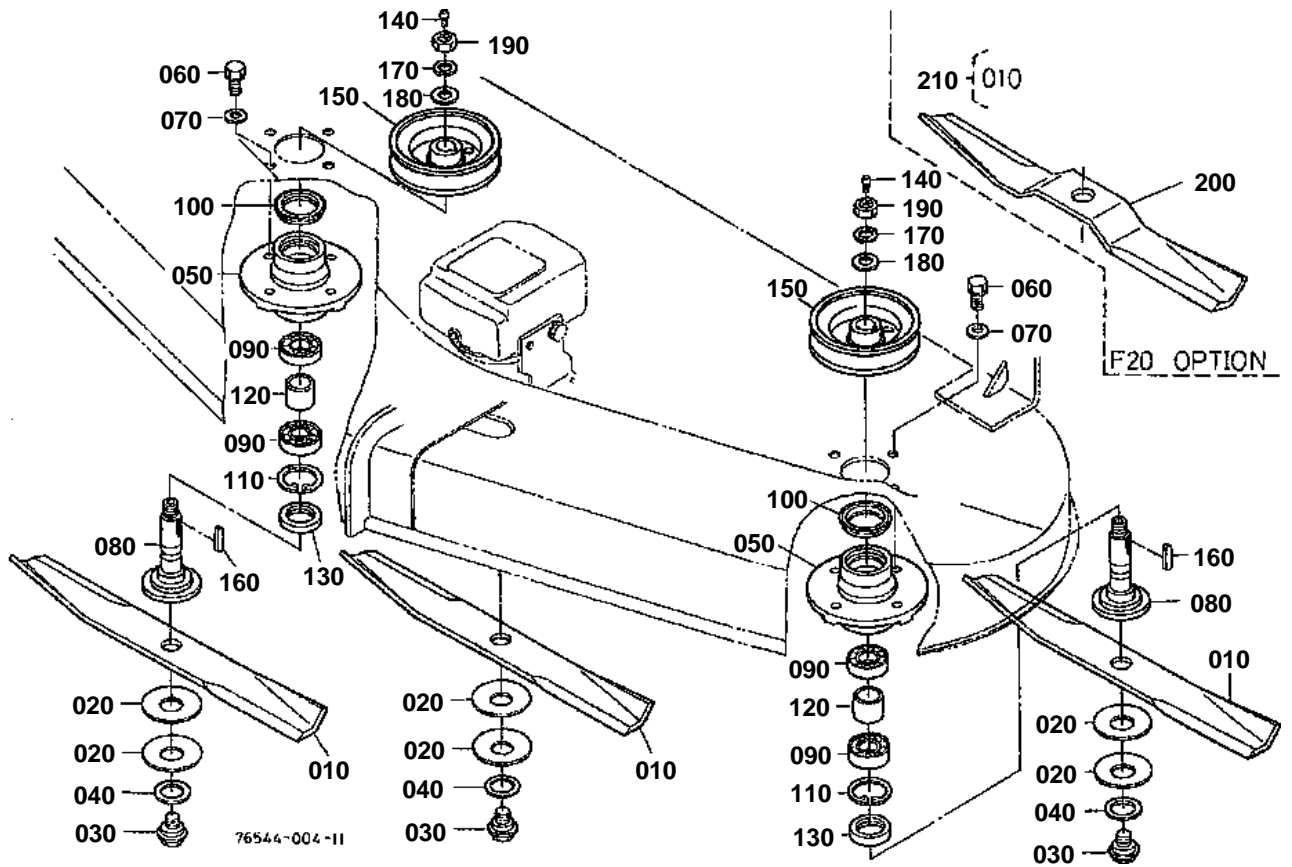


PULLEY HOLDER

↔ Interchangeable; ≠ not interchangeable; ← new for old; → old for new

REF.No	Part No.	Description	Q'ty	S.No.	I/C	REMARKS	Weight (kgf)	Weight (lb)
010	76550-34110	HOLDER PULLEY	1				2.95	6.49
020	01133-51225	BOLT	3				0.038	0.0836
030	76550-34140	BEARING BALL	1				0.21	0.462
040	04611-00620	CIR CLIP INTERNAL	1				0.011	0.0242
050	76550-34120	SEAL OIL	1				0.027	0.0594
060	76550-34160	SEAL OIL	1	<=14488			0	0
060	76550-34162	SEAL OIL	1	>=14489	←		0.03	0.066
070	03410-50606	SCREW SET	1				0.001	0.0022
080	76550-34130	PIPE EXTENSION	1				0.035	0.077
090	67111-44250	NIPPLE GREASE	1				0.005	0.011
100	66616-34390	SHIM ADJUSTING	1				0.001	0.0022
110	76550-34150	BOSS BLADE	1				0.53	1.166
120	04612-00280	CIRCLIP EXTERNAL	1				0.003	0.0066

BLADE

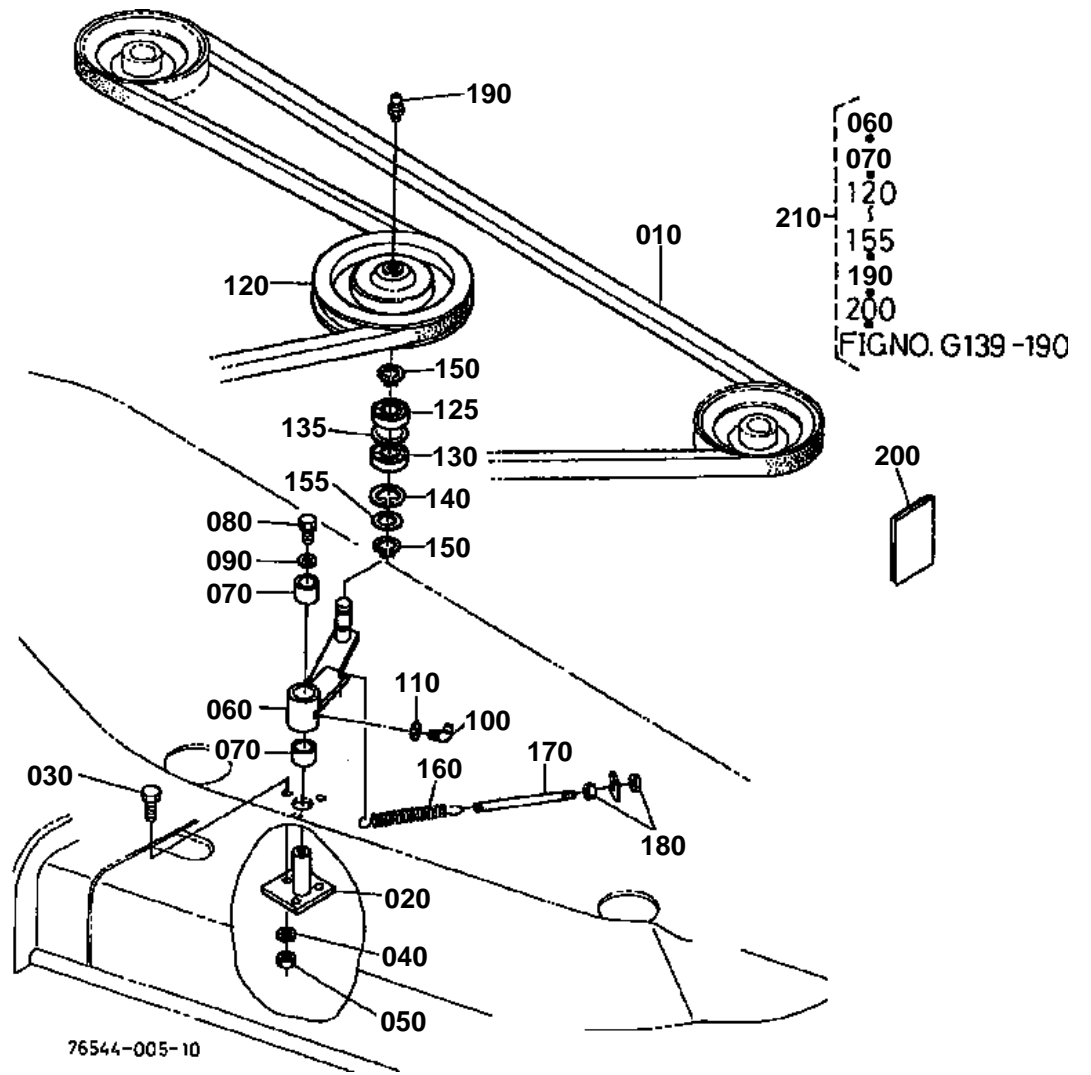


**BLADE**

↔ Interchangeable; ≠ not interchangeable; ← new for old; → old for new

REF.No	Part No.	Description	Q'ty	S.No.	I/C	REMARKS	Weight (kgf)	Weight (lb)
010	76550-34332	BLADE	3	<=15253			0	0
010	76550-34334	BLADE	3	>=15254	←		2	4.4
020	76550-34350	RETAINER BLADE	6				0.075	0.165
030	76550-34373	BOLT LOCKING BLADE	3				0.12	0.264
040	76550-34390	WASHER LOCK	3				0.01	0.022
050	76550-34510	HOLDER PULLEY	2				2.5	5.5
060	01133-51230	BOLT	8				0.04	0.088
070	04015-60120	WASHER PLAIN	8				0.022	0.0484
080	76550-34530	SHAFT BLADE	2				0.74	1.628
090	76550-34540	BEARING BALL	4				0.13	0.286
100	70722-34120	SEAL OIL	2				0.025	0.055
110	04611-00520	CIR CLIP INTERNAL	2				0.009	0.0198
120	76550-34550	PIECE DISTANCE	2				0.1	0.22
130	70725-34160	SEAL OIL	2	<=11481			0	0
130	09500-35528	SEAL OIL	2	>=11482	↔		0.017	0.0374
130	70725-34162	SEAL OIL	2	>=14489	←		0.024	0.0528
140	06613-10675	NIPPLE GREASE	2				0.003	0.0066
150	76550-99780	PULLEY	2	<=14666			0	0
150	76544-33590	PULLEY	2	>=14667	←		1.72	3.784
160	05712-00728	KEY FEATHER	2				0.01	0.022
170	70725-33600	WASHER SPRING	2				0.015	0.033
180	70721-34560	WASHER PLAIN	2				0.01	0.022
190	76550-34580	NUT	2				0.022	0.0484
200	76544-99050	BLADE STEP DOWN	3			F20 OPTION	2.14	4.708
210	76550-99010	KIT BLADE	1			OPTION	5.8	12.76

TENSION PULLEY



TENSION PULLEY

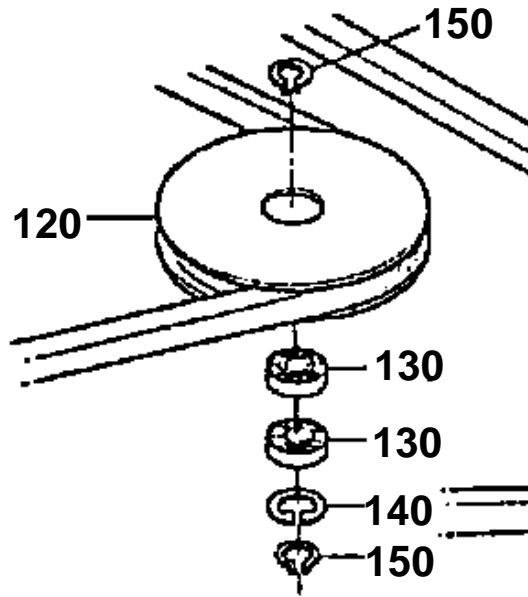
120 76538-3474-0

120 76544-3474-0

130 08141-06203

140 04611-00400

150 04612-00170



76544-800-10

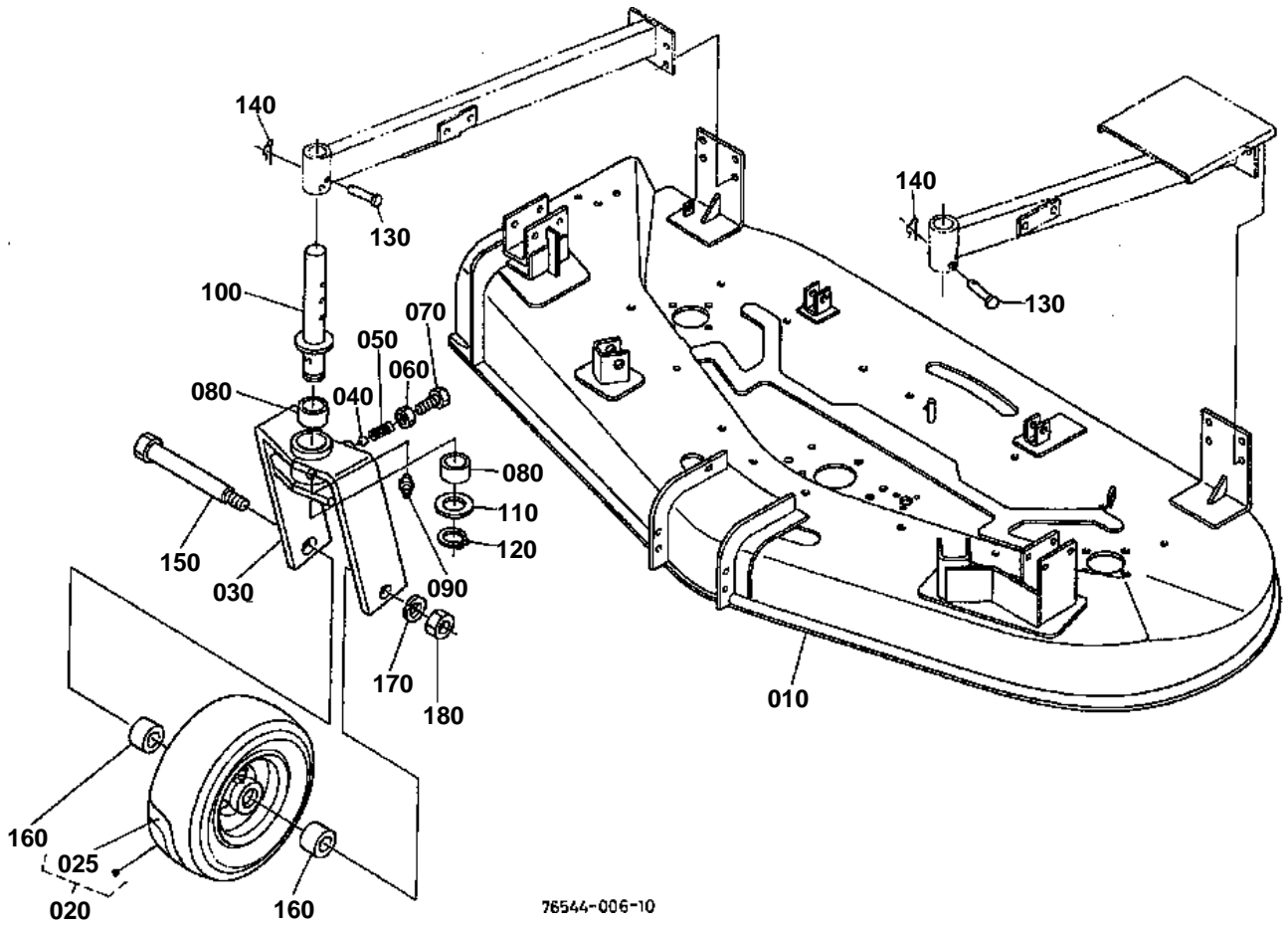


TENSION PULLEY

↔ Interchangeable; ≠ not interchangeable; ← new for old; → old for new

REF.No	Part No.	Description	Q'ty	S.No.	I/C	REMARKS	Weight (kgf)	Weight (lb)
010	76550-34710	BELT	1				0.9	1.98
020	76550-34720	SHAFT TENSION	1				0.38	0.836
030	01173-51025	BOLT	3				0.021	0.0462
040	04512-60100	WASHER SPRING	3				0.002	0.0044
050	02118-50100	NUT	3				0.005	0.011
060	76550-34730	ARM TENSION	1	<=11481			0.6	1.32
060	76550-34733	ARM TENSION	1	>=11482	≠		0.6	1.32
060	76550-34734	ARM TENSION	1	>=13319	≠		0.57	1.254
070	08511-01915	BUSH	2				0.01	0.022
080	01123-50814	BOLT	1				0	0
090	04015-60080	WASHER PLAIN	1				0.01	0.022
100	67111-44250	NIPPLE GREASE	1				0.005	0.011
110	66616-34390	SHIM ADJUSTING	1				0.001	0.0022
120	76538-34740	PULLEY TENSION	1	<=11481			1	2.2
120	76544-34740	PULLEY TENSION	1	>=11482	≠		1	2.2
120	76544-34742	PULLEY TENSION	1	>=13319	≠		1	2.2
125	08111-06203	BEARING BALL	1	>=13319			0.065	0.143
130	08141-06203	BEARING BALL	2	<=11481			0.064	0.1408
130	08111-06203	BEARING BALL	2	>=11482	≠		0.065	0.143
130	08101-06203	BEARING BALL	1	>=13319			0.063	0.1386
135	76543-34720	COLLAR BEARING	1				0.008	0.0176
140	04611-00400	CIR CLIP INTERNAL	1				0.005	0.011
150	04612-00170	CIRCLIP EXTERNAL	2				0.001	0.0022
155	76543-34800	SEAL BEARING	1	>=13319			0.001	0.0022
160	76550-34750	SPRING TENSION	1				0.2	0.44
170	76500-34770	BOLT TENSION	1				0.11	0.242
180	02118-50100	NUT	2				0.005	0.011
190	06613-10675	NIPPLE GREASE	1	<=13318			0.003	0.0066
190	76543-12100	NIPPLE GREASE	1	>=13319	≠		0.003	0.0066
200	76543-99470	MANUAL INSTRUCTION	1			OPTION	0.014	0.0308
210	76544-99410	KIT PULLEY TENSION	1			OPTION	1.78	3.916

MOWER DECK



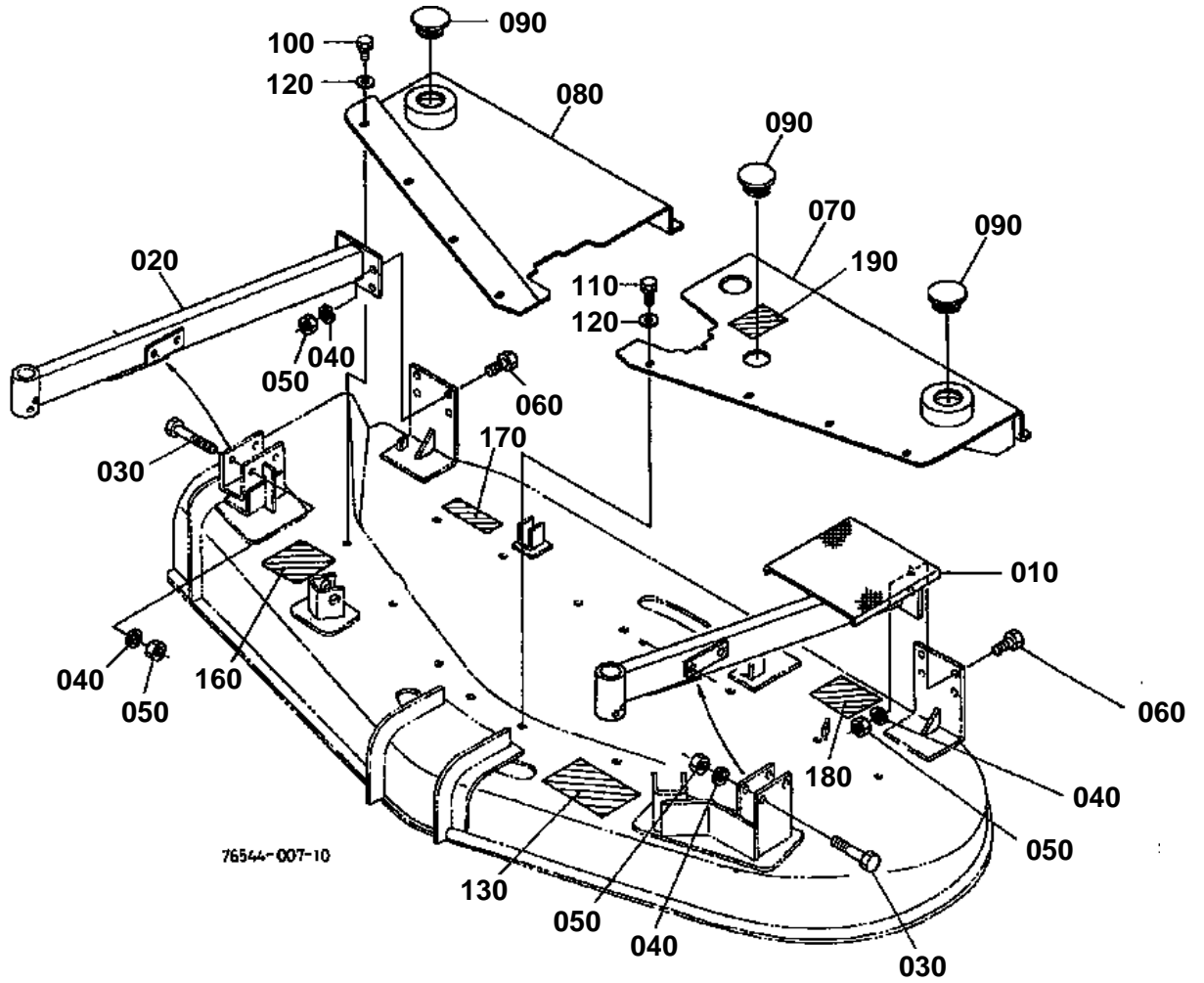
76544-006-10

**MOWER DECK**

↔ Interchangeable; ≠ not interchangeable; ← new for old; → old for new

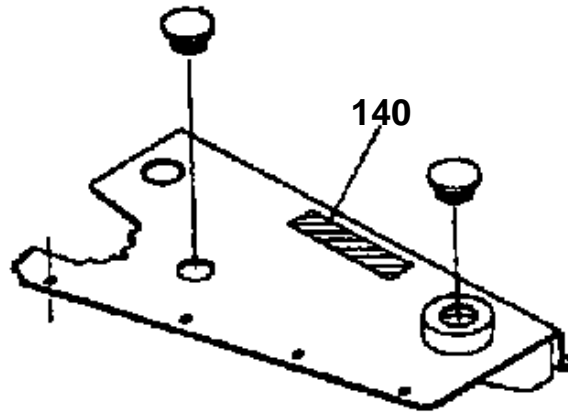
REF.No	Part No.	Description	Q'ty	S.No.	I/C	REMARKS	Weight (kgf)	Weight (lb)
010	76544-45160	DECK MOWER	1				95	209
020	76543-42210	FRONT WHEEL	2	≤11481			0	0
020	76543-42230	FRONT WHEEL	2	≥11482	↔		0	0
020	76543-42240	FRONT WHEEL	2	≥11518	↔		2.18	4.796
025	76543-99510	TUBE GAUGE WHEEL	2	≥11518			0.19	0.418
030	76543-34200	SUPPORT FRONT WHEEL	2				2.85	6.27
040	07715-00803	BALL	2				0.004	0.0088
050	76543-43130	SPRING FRONT WHEEL	2				0.01	0.022
060	02172-50120	NUT	2				0.01	0.022
070	01173-51225	BOLT	2				0.033	0.0726
080	70722-42190	BUSH	4				0.045	0.099
090	06613-10675	NIPPLE GREASE	2				0.003	0.0066
100	76543-43110	SHAFT FRONT WHEEL	2				1.1	2.42
110	70722-43130	COLLAR FRONT WHEEL	2				0.015	0.033
120	04612-00300	CIRCLIP EXTERNAL	2				0.003	0.0066
130	05122-51055	PIN JOINT	2				0.035	0.077
140	70712-51140	RING SNAP	2				0.009	0.0198
150	76543-34210	AXLE FRONT	2				0.24	0.528
160	76543-34220	COLLAR	4				0.09	0.198
170	04512-60140	WASHER SPRING	2				0.006	0.0132
180	02174-50140	NUT	2				0.014	0.0308

WHEEL STAY

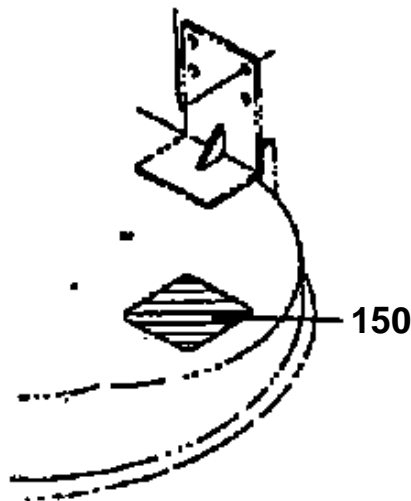


WHEEL STAY

140 36200-9816-0



150 70720-4715-4



76544-802-10

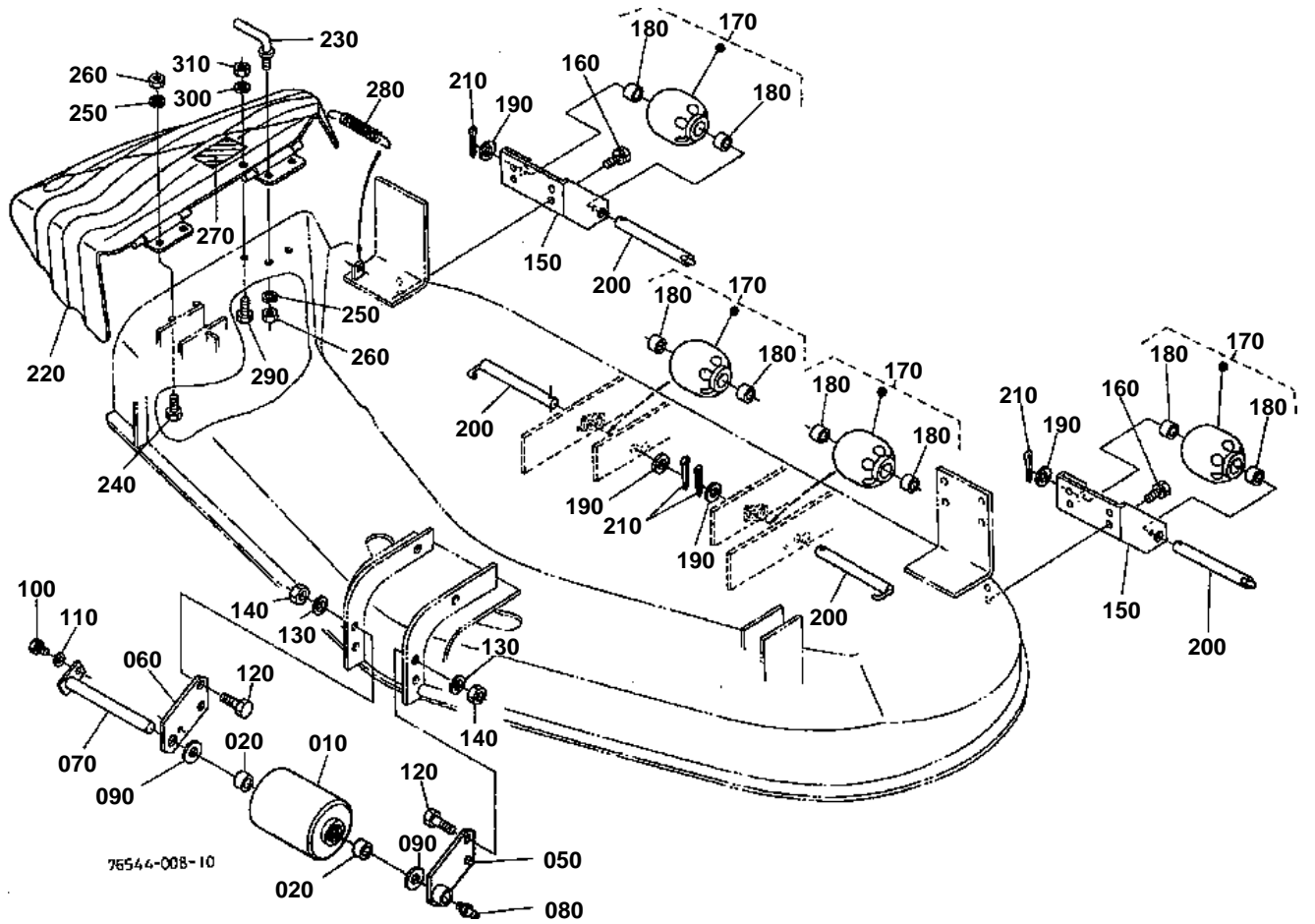


WHEEL STAY

↔ Interchangeable; ≠ not interchangeable; ← new for old; → old for new

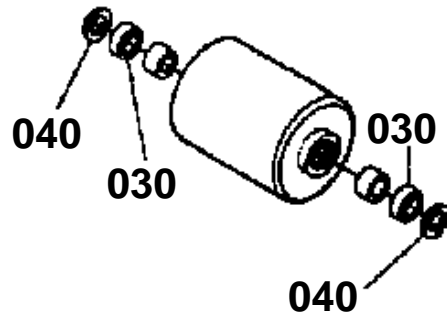
REF.No	Part No.	Description	Q'ty	S.No.	I/C	REMARKS	Weight (kgf)	Weight (lb)
010	76544-41120	STAY FRONT WHEEL LH	1				6	13.2
020	76544-45130	STAY FRONT WHEEL RH	1				4.5	9.9
030	01173-51270	BOLT	4				0.067	0.1474
040	04512-50120	WASHER SPRING	12				0	0
050	02176-50120	NUT	12				0.01	0.022
060	01173-51225	BOLT	8				0.033	0.0726
070	76544-41180	COVER LH	1				4	8.8
080	76544-41200	COVER RH	1				3.5	7.7
090	66204-51160	COVER BLIND	3				0.007	0.0154
100	01123-60816	BOLT	12				0.01	0.022
110	01123-50820	BOLT	4				0.011	0.0242
120	04013-50080	WASHER PLAIN	16				0	0
130	76550-34570	LABEL BLADE	1			ENGLISH	0.006	0.0132
130	76550-11340	NAME PLATE BLADE	1			[CA] FRENCH	0.001	0.0022
140	36200-98160	MARK FRONT	1	<=14283			0.002	0.0044
150	70720-47154	LABEL CAUTION	1	<=14283			0.001	0.0022
160	70712-41142	LABEL CAUTION	1	<=13127		ENGLISH	0.001	0.0022
160	66071-61790	LABEL CAUTION	1	>=13128	↔	ENGLISH	0.002	0.0044
160	76530-11420	LABEL CAUTION	1			[CA] FRENCH	0.001	0.0022
170	76611-47680	LABEL ANSI	1	<=13336			0	0
170	76611-47682	LABEL ANSI	1	>=13337	←		0.001	0.0022
180	76544-41140	LABEL CUTTING HEIGHT	1			[A] [AU] ENGLISH	0.005	0.011
180	76544-41140	LABEL CUTTING HEIGHT	1	<=14684		[CA] ENGLISH	0.005	0.011
180	76544-42170	LABEL CUTTING HEIGHT	1	>=14685	←	[CA] ENGLISH	0.004	0.0088
180	76544-42140	LABEL CUTTING FR	1	>=14685		[CA] FRENCH	0.002	0.0044
190	76539-34830	LABEL GREASE UP	1	>=13319		ENGLISH	0.002	0.0044
190	76539-34840	LABEL GREASE UP	1	>=13319		FRENCH	0.002	0.0044

REAR WHEEL



030 09220-20284

040 04611-00280



76544-801-10

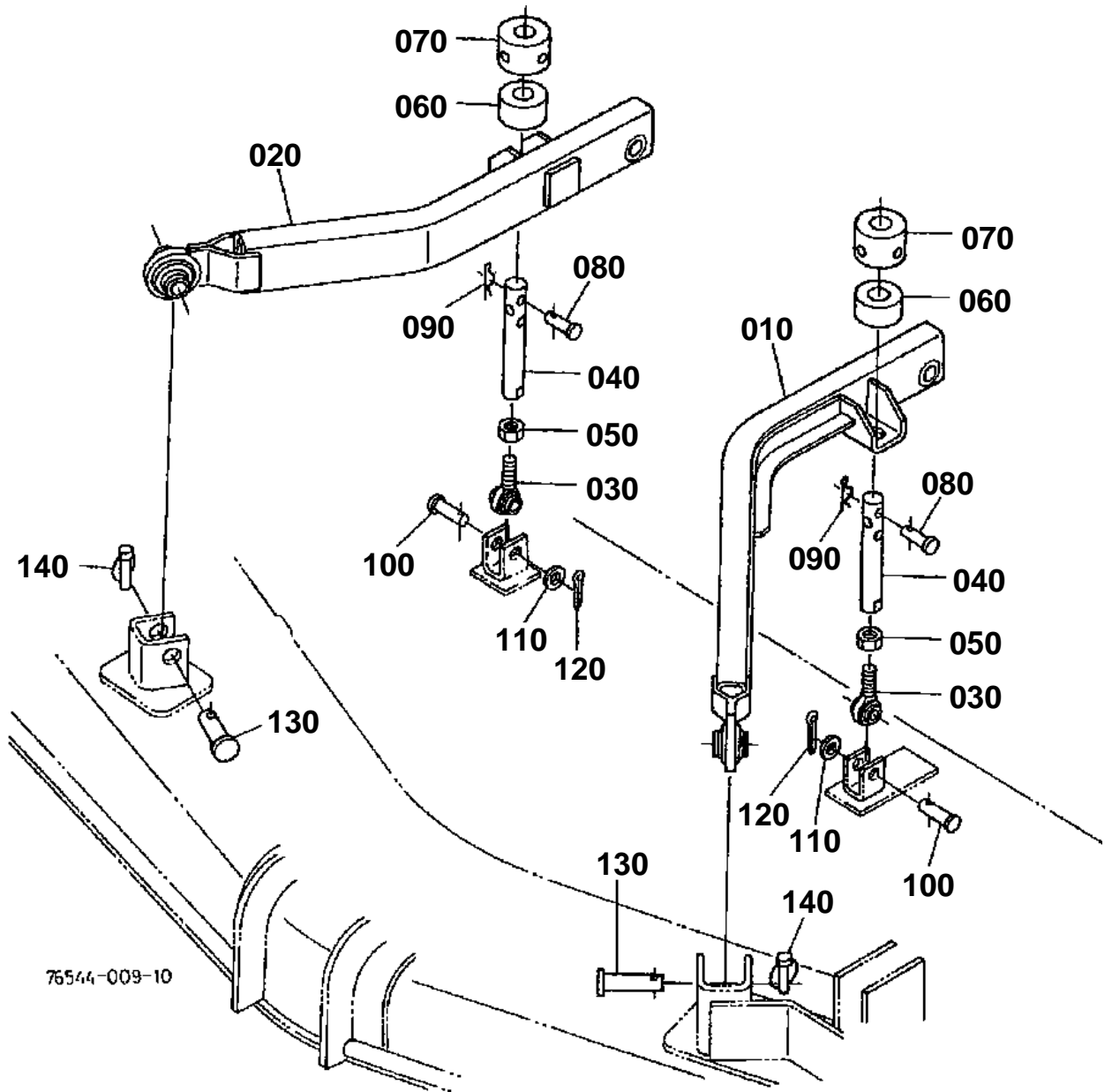


REAR WHEEL

↔ Interchangeable; ≠ not interchangeable; ← new for old; → old for new

REF.No	Part No.	Description	Q'ty	S.No.	I/C	REMARKS	Weight (kgf)	Weight (lb)
010	76543-46160	ROLLER	1				2.1	4.62
020	70722-44190	BUSH	2				0.041	0.0902
030	09220-20284	SEAL OIL	2	≤11464			0.004	0.0088
040	04611-00280	CIR CLIP INTERNAL	2	≤11464			0.002	0.0044
050	76544-46110	STAY LIMIT ROLLER LH	1				0.33	0.726
060	76543-46130	STAY LIMIT ROLLER RH	1				0.29	0.638
070	76538-44170	SHAFT REAR WHEEL	1				0.49	1.078
080	06613-10010	NIPPLE GREASE	1				0.006	0.0132
090	04013-50200	WASHER PLAIN	2				0.02	0.044
100	01153-50812	BOLT	1				0.008	0.0176
110	04512-60080	WASHER SPRING	1				0.002	0.0044
120	01173-51028	BOLT	4				0.022	0.0484
130	04512-60100	WASHER SPRING	4				0.002	0.0044
140	02118-50100	NUT	4				0.005	0.011
150	76543-46140	STAY ROLLER	2				0.75	1.65
160	01133-51022	BOLT	4				0.025	0.055
170	76543-46250	ROLLER ANTI-SCALP	4	≤13770			0	0
170	76559-46250	ROLLER ANTI-SCALP	4	≥13771	↔		0.38	0.836
180	08511-01220	BUSH	8				0.004	0.0088
190	04011-50120	WASHER PLAIN	4				0.005	0.011
200	76543-46180	PIN GAUGE WHEEL	4	≤21002			0	0
200	76543-46182	PIN GAUGE WHEEL	4	≥21003	←		0.13	0.286
210	05511-50425	PIN SPLIT	4				0.003	0.0066
220	76550-47110	COVER CHUTE	1	≤11481			6.7	14.74
220	76550-27110	COVER CHUTE	1	≥11482	≠		0	0
220	76550-27113	COVER CHUTE	1	≥15447	≠		7	15.4
230	70721-47130	STOPPER CHUTE	1				0.05	0.11
240	01173-51025	BOLT	3				0.021	0.0462
250	04512-60100	WASHER SPRING	4				0.002	0.0044
260	02118-50100	NUT	4				0.005	0.011
270	70712-47142	LABEL CAUTION	1	≤13127		ENGLISH	0.001	0.0022
270	66071-61780	LABEL CAUTION	1	≥13128	↔	ENGLISH	0.005	0.011
270	76530-11480	LABEL CAUTION	1			[CA] FRENCH	0.005	0.011
280	70722-47120	SPRING	1				0.06	0.132
290	01173-51028	BOLT	1				0.022	0.0484
300	04512-60100	WASHER SPRING	1				0.002	0.0044
310	02118-50100	NUT	1				0.005	0.011

MOWER LINK



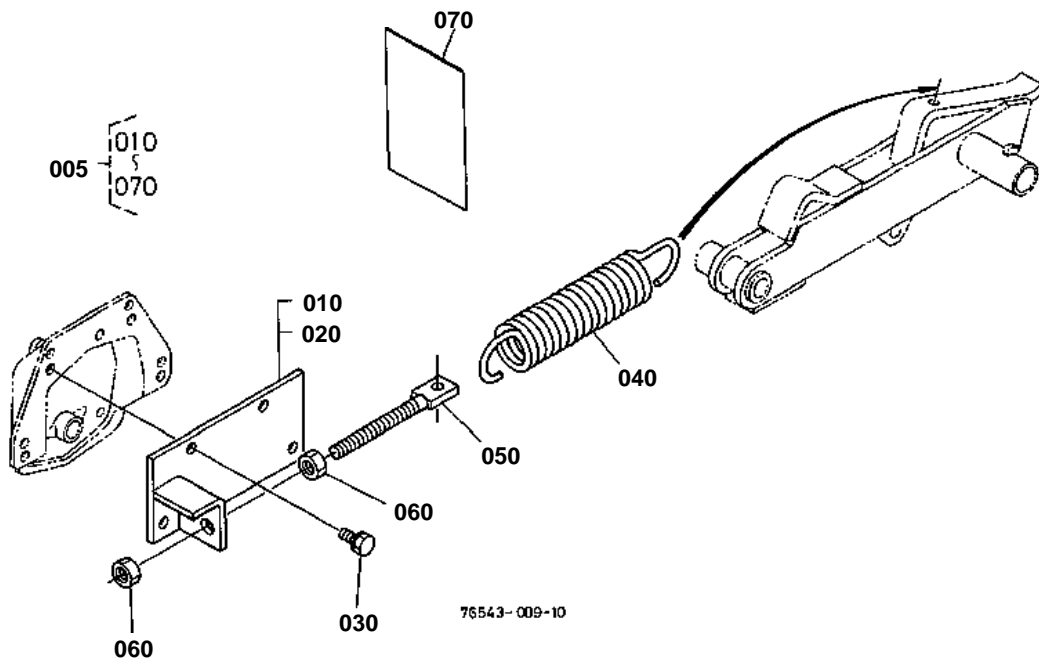
76544-009-10

**MOWER LINK**

↔ Interchangeable; ≠ not interchangeable; ← new for old; → old for new

REF.No	Part No.	Description	Q'ty	S.No.	I/C	REMARKS	Weight (kgf)	Weight (lb)
010	76544-51110	LINK MOWER LH	1				6.9	15.18
020	76544-51130	LINK MOWER RH	1				6.2	13.64
030	76543-51150	END ROD	2				0.095	0.209
040	76544-51170	ROD LIFTING	2				0.25	0.55
040	76544-51170	ROD LIFTING	2	<=14684		[CA]	0.25	0.55
040	76544-51180	ROD LIFTING	2	>=14685	←	[CA]	0.26	0.572
050	02114-50120	NUT	2				0.011	0.0242
060	76544-51190	CUSHION	2				0.15	0.33
070	76544-51210	COLLAR LIFTING	2	<=12835			0	0
070	76544-51212	COLLAR LIFTING	2	>=12836	↔		0.43	0.946
080	05122-51060	PIN JOINT	2				0.038	0.0836
090	05515-61000	PIN SNAP	2				0.003	0.0066
100	05122-51240	PIN JOINT	2				0.039	0.0858
110	04011-50120	WASHER PLAIN	2				0.005	0.011
120	05511-50425	PIN SPLIT	2				0.003	0.0066
130	31150-71360	PIN JOINT	2				0.166	0.3652
140	34150-37640	PIN SET	2				0.06	0.132

LIFT SPRING [OPTION]





LIFT SPRING [OPTION]

↔ Interchangeable; ≠ not interchangeable; ← new for old; → old for new

REF.No	Part No.	Description	Q'ty	S.No.	I/C	REMARKS	Weight (kgf)	Weight (lb)
005	76544-61110	KIT SPRING LIFT	1				0.95	2.09
010	76544-61130	STAY SPRING LH	1				1.05	2.31
020	76544-61150	STAY SPRING RH	1				1.05	2.31
030	01123-50820	BOLT	8				0.011	0.0242
040	76544-61170	SPRING LIFT	2				0.95	2.09
050	76544-61190	HOOK SPRING	2				0.2	0.44
060	02174-50140	NUT	4				0.014	0.0308
070	76544-61212	MANUAL LIFT SPRING	1				0.006	0.0132



ACCESSORIES AND SERVICE PARTS

↔ Interchangeable; ≠ not interchangeable; ← new for old; → old for new

REF.No	Part No.	Description	Q'ty	S.No.	I/C	REMARKS	Weight (kgf)	Weight (lb)
010	76543-71100	MANUAL INSTRUCTION	1			F20:<=20863 F24:<=13335	0.06	0.132
010	76543-71105	MANUAL INSTRUCTION	1		←	F20:>=20864 F24:>=13336	0.075	0.165
010	76543-71105	MANUAL INSTRUCTION	1	<=20916		[CA] FRENCH	0.075	0.165
010	76543-71200	MANUAL INSTRUCTION	1	>=20917	←	[CA] FRENCH	0	0
030	76543-90010	KIT SUPPORT F.WHEEL	1				8	17.6
040	76543-34190	MANUAL INSTRUCTION	1				0.01	0.022
050	70000-00810	FRONT WHEEL	2			REF.No.060 070 RESERVED BY KTC	0	0
060	70000-00810	RIM	2			RESERVED BY KTC	0	0
070	70000-00810	TIRE	2			RESERVED BY KTC	0	0
080	70000-00810	KIT BEARING	2			RESERVED BY KTC	0	0