

Instructions for Parts Books

The heading at the top of the page will be the same for the picture of the parts as it is for the page with the part numbers.

Definition of column headings on part number pages:

REF.No → The number referring to the part on the picture page of the parts book.

Part No. → The number assigned to this part at the time of printing the parts book.

Description → Description of part.

Q'ty → Quantity of part used on that page.

S.No. → Serial number range of the equipment that this part will fit.

>= Your serial number should be greater than or equal to the number shown.

<= Your serial number should be lesser than or equal to the serial number shown.

I/C → Interchangeability of part shown.

↔ The part shown will work for the older and later serial number.

The part shown is not interchangeable with the other serial number.

← new for old

→ old for new

Remarks → Notes about this particular part. Sometimes this may say except [FR] or [CA]

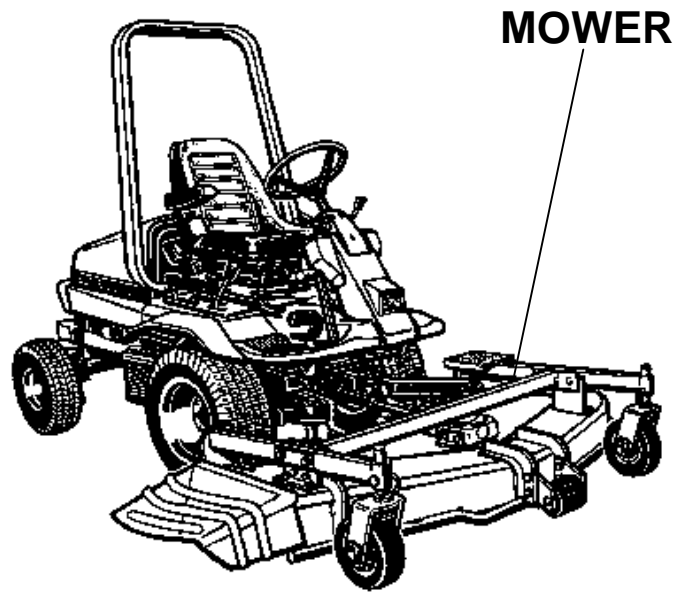
Note about Country Codes:

The parts books we use in the United States of America may also contain information about a part that would be different in another country. It is important that you are aware of the country codes in some instances.

Symbol	Country
A	United States of America
CA	Canada
FR	France
GR	Greece
PO	Portugal
AU	Australia

If the remarks column says for example EXCEPT [FR] this part works in all countries except France. That means it will work here in the USA.

ALL PRODUCT INDEX
RC72-F30



Item	Part No.	Description	Book
MOWER	04S001	UNIVERSAL JOINT	100A0167
	04S004	BEVEL GEAR CASE	100A0167
	04S007	PULLEY HOLDER	100A0167
	04S010	BLADE	100A0167
	04S013	TENSION PULLEY	100A0167
	04S100	MOWER DECK	100A0167
	04S103	FRONT GAUGE WHEEL	100A0167
	04S105	ANTI-SCALP ROLLER	100A0167
	04S109	DISCHARGE COVER	100A0167
	04S200	MOWER LINKAGE	100A0167
	04S300	ACCESSORIES	100A0167

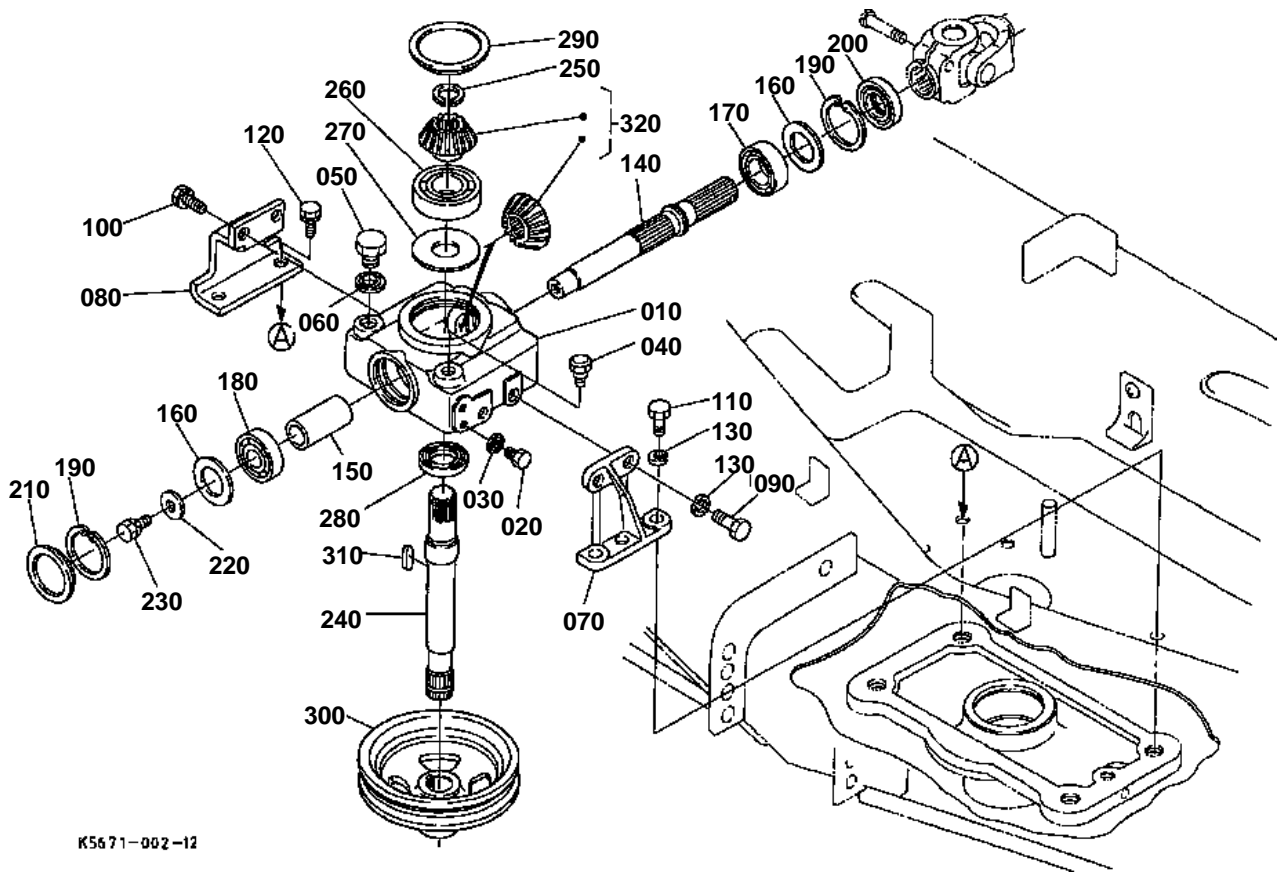


UNIVERSAL JOINT

↔ Interchangeable; ≠ not interchangeable; ← new for old; → old for new

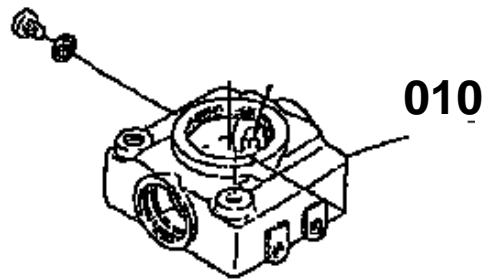
REF.No	Part No.	Description	Q'ty	S.No.	I/C	REMARKS	Weight (kgf)	Weight (lb)
010	K5671-32010	JOINT UNIVERSAL	1				3.52	7.744
020	K5671-31130	YOKE PTO	1				0.4	0.88
030	K5671-31150	YOKE QUICK	1				0.54	1.188
040	K5671-31140	SHAFT YOKE	1				1.48	3.256
050	K5671-31170	YOKE SLEEVE	1				0.65	1.43
055	06613-10675	NIPPLE GREASE	1				0.003	0.0066
056	04012-50060	WASHER PLAIN	1				0.001	0.0022
060	K5671-31180	ASSY JOINT CROSS	2				0.23	0.506
065	76508-31210	NIPPLE GREASE	2				0.05	0.11
066	76508-32120	RING SNAP	8				0.01	0.022
070	76550-31150	MARK	1				0.001	0.0022
080	05122-50845	PIN JOINT	1				0.018	0.0396
090	04012-50080	WASHER PLAIN	1				0.001	0.0022
100	05511-50218	PIN SPLIT	1				0.001	0.0022
110	01123-50840	BOLT	1				0.018	0.0396

BEVEL GEAR CASE



K5671-002-12

010 K5761-3311-4



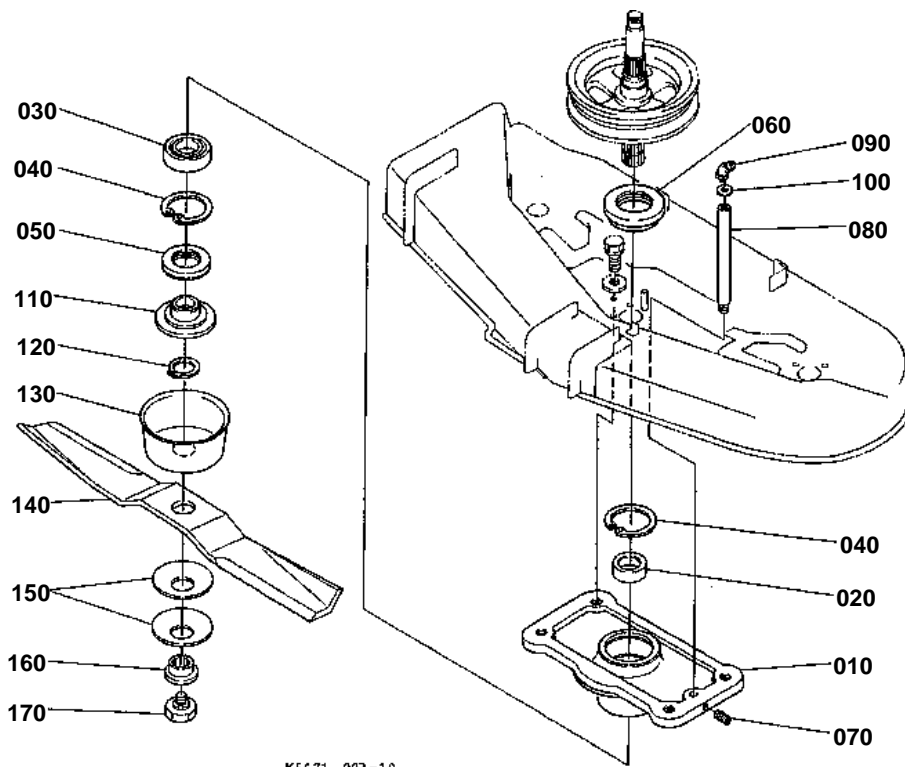
K5671-801-10

**BEVEL GEAR CASE**

↔ Interchangeable; ≠ not interchangeable; ← new for old; → old for new

REF.No	Part No.	Description	Q'ty	S.No.	I/C	REMARKS	Weight (kgf)	Weight (lb)
010	K5761-33114	CASE BEVEL GEAR	1	<=13823			0	0
010	K5761-33115	CASE BEVEL GEAR	1	>=13824	←		3.82	8.404
020	01153-50812	BOLT	2				0.008	0.0176
030	04717-00800	WASHER WITH RUBBER	2				0.001	0.0022
040	K5761-33250	PLUG BREATHER	1				0.006	0.0132
050	06331-35016	PLUG	1				0.04	0.088
060	04711-00300	GASKET	1				0.001	0.0022
070	K5671-33130	STAY BEVEL CASE LH	1				0.45	0.99
080	K5671-33150	STAY BEVEL CASE RH	1				0.462	1.0164
090	K5761-33210	BOLT REAMER	2				0.038	0.0836
100	01133-51225	BOLT	2				0.038	0.0836
110	K5671-33230	BOLT REAMER	2				0.043	0.0946
120	01133-51235	BOLT	2				0.05	0.11
130	04512-60120	WASHER SPRING	4				0.005	0.011
140	K5671-33310	SHAFT PINION	1				0.51	1.122
150	K5671-33340	COLLAR	1				0.105	0.231
160	36330-28420	SHIM	2			0.2mm	0.002	0.0044
160	36330-28410	SHIM	2			0.3mm	0.002	0.0044
170	08101-06205	BEARING BALL	1				0.14	0.308
180	08101-06304	BEARING BALL	1				0.146	0.3212
190	04611-00520	CIR CLIP INTERNAL	2				0.009	0.0198
200	76535-33440	SEAL OIL	1				0.02	0.044
210	63313-32270	CAP	1				0.03	0.066
220	04015-60100	WASHER PLAIN	1				0.015	0.033
230	01133-51025	BOLT	1				0.023	0.0506
240	K5671-33500	SHAFT BEVEL GEAR	1	<=11742			0	0
240	K5671-33502	SHAFT BEVEL GEAR	1	>=11743	←		0.57	1.254
250	04612-00220	CIR CLIP EXTERNAL	1				0.001	0.0022
260	70712-33550	BEARING BALL	1				0.22	0.484
270	76539-33590	SHIM	1	<=11742		0.3mm	0.005	0.011
270	70712-33570	SHIM	1	>=11743	←	0.1mm	0.001	0.0022
270	76539-33410	SHIM	1			0.2mm	0.001	0.0022
280	K5761-33540	SEAL OIL	1				0.012	0.0264
290	7C765-51260	CAP	1				0.07	0.154
300	K5671-33520	PULLEY CENTER	1				1.79	3.938
310	05712-00732	KEY FEATHER	1				0.013	0.0286
320	K5671-33320	KIT GEAR BEVEL	1			17-18T	0.45	0.99

PULLEY HOLDER



K5671-003-10

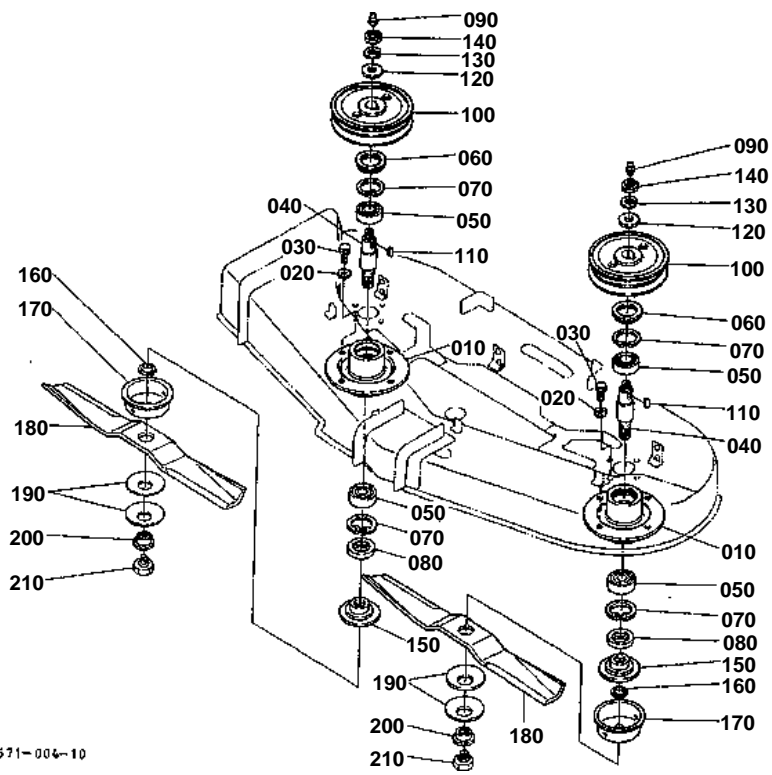


PULLEY HOLDER

↔ Interchangeable; ≠ not interchangeable; ← new for old; → old for new

REF.No	Part No.	Description	Q'ty	S.No.	I/C	REMARKS	Weight (kgf)	Weight (lb)
010	K5671-34110	HOLDER CENTER PULLEY	1				2.95	6.49
020	K5671-33590	COLLAR	1				0.034	0.0748
030	08101-06205	BEARING BALL	1				0.14	0.308
040	04611-00520	CIR CLIP INTERNAL	2				0.009	0.0198
050	70722-34120	SEAL OIL	1				0.025	0.055
060	70725-34162	SEAL OIL	1				0.024	0.0528
070	03410-50606	SCREW SET	1				0.001	0.0022
080	76550-34130	PIPE EXTENSION	1				0.035	0.077
090	67111-44250	NIPPLE GREASE	1				0.005	0.011
100	66616-34390	SHIM ADJUSTING	1				0.001	0.0022
110	K5761-34152	BOSS SPLINE	1				0.28	0.616
120	04612-00220	CIR CLIP EXTERNAL	1				0.001	0.0022
130	K5671-34310	COVER DUST	1				0.11	0.242
140	76553-34330	BLADE	1				2	4.4
150	76550-34350	RETAINER BLADE	2				0.075	0.165
160	76539-34392	JOINT BLADE BOSS	1				0.06	0.132
170	76539-34372	BOLT LOCKING BLADE	1				0.05	0.11

BLADE



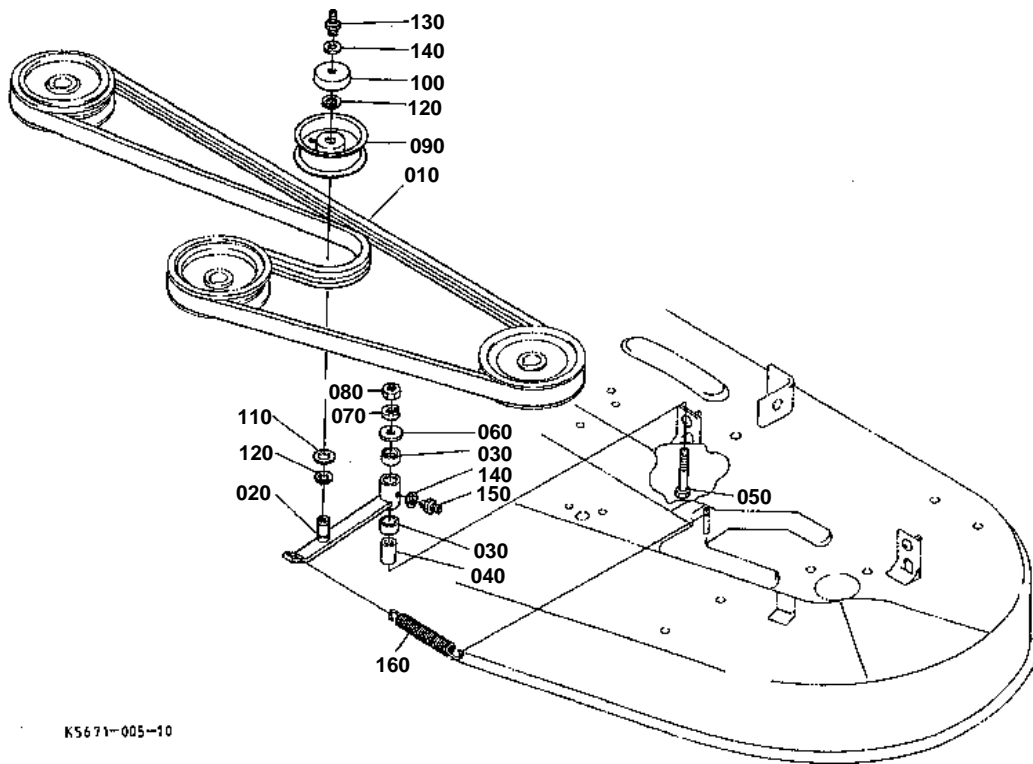
K5671-004-10

**BLADE**

↔ Interchangeable; ≠ not interchangeable; ← new for old; → old for new

REF.No	Part No.	Description	Q'ty	S.No.	I/C	REMARKS	Weight (kgf)	Weight (lb)
010	K5671-34510	HOLDER SIDE	2				2.4	5.28
020	04013-60120	WASHER PLAIN	8				0.01	0.022
030	01133-51230	BOLT	8				0.04	0.088
040	K5671-34550	SHAFT BLADE	2				0.55	1.21
050	08101-06205	BEARING BALL	4				0.14	0.308
060	70722-34120	SEAL OIL	2				0.025	0.055
070	04611-00520	CIR CLIP INTERNAL	4				0.009	0.0198
080	70725-34162	SEAL OIL	2				0.024	0.0528
090	06613-10675	NIPPLE GREASE	2				0.003	0.0066
100	K5671-33580	PULLEY SIDE	2				1.7	3.74
110	05712-00722	KEY FEATHER	2				0.009	0.0198
120	70721-34560	WASHER PLAIN	2				0.01	0.022
130	04512-60160	WASHER SPRING	2				0.01	0.022
140	02172-50160	NUT	2				0.017	0.0374
150	K5761-34152	BOSS SPLINE	2				0.28	0.616
160	04612-00220	CIR CLIP EXTERNAL	2				0.001	0.0022
170	K5671-34310	COVER DUST	2				0.11	0.242
180	76553-34330	BLADE	2				2	4.4
190	76550-34350	RETAINER BLADE	4				0.075	0.165
200	76539-34392	JOINT BLADE BOSS	2				0.06	0.132
210	76539-34372	BOLT LOCKING BLADE	2				0.05	0.11

TENSION PULLEY



K5671-005-10

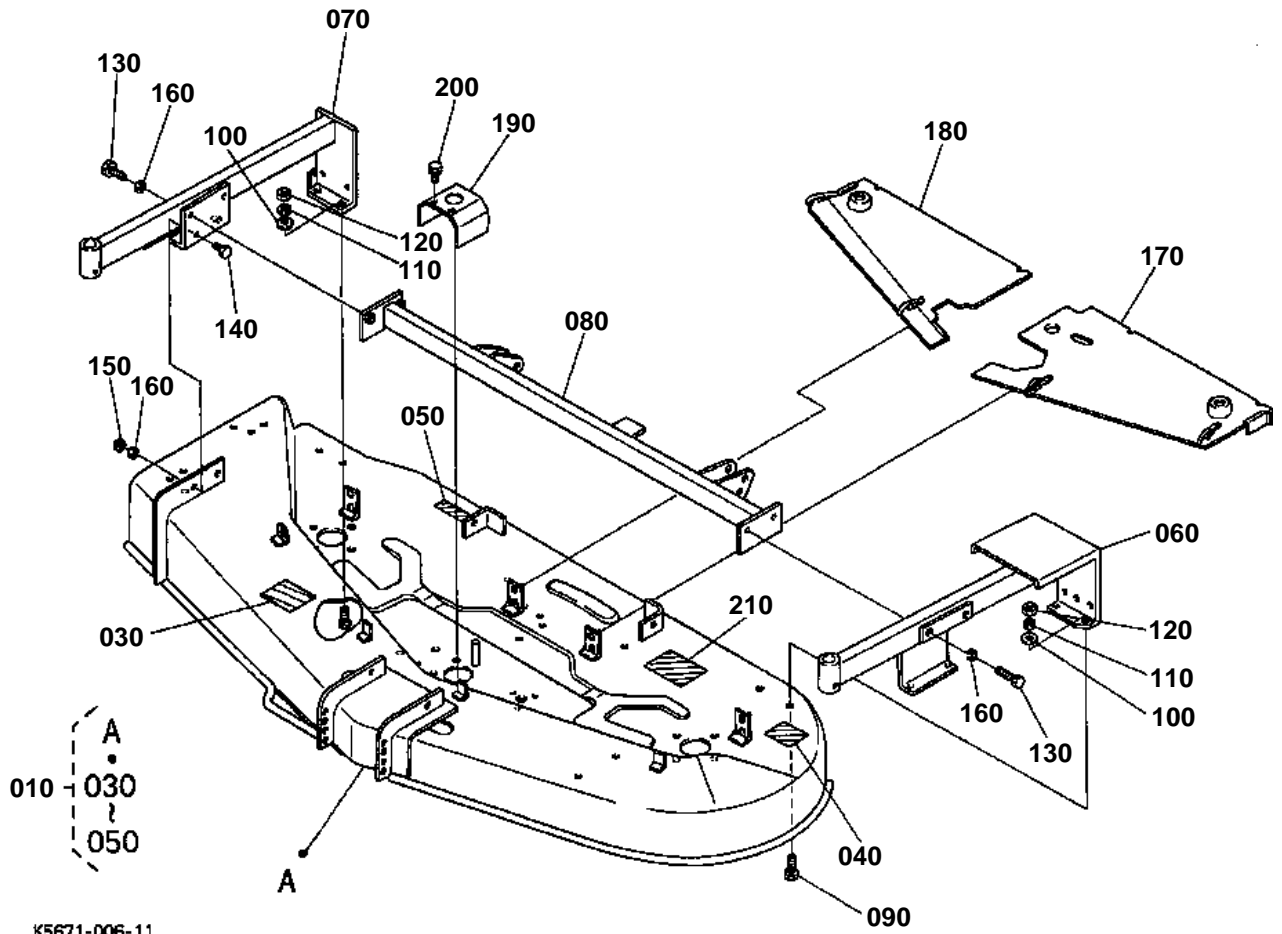


TENSION PULLEY

↔ Interchangeable; ≠ not interchangeable; ← new for old; → old for new

REF.No	Part No.	Description	Q'ty	S.No.	I/C	REMARKS	Weight (kgf)	Weight (lb)
010	K5671-34710	BELT	1				1.05	2.31
020	K5671-34730	ARM	1				0.63	1.386
030	08511-02015	BUSH	2				0.011	0.0242
040	K5761-34780	SPACER TENSION	1				0.068	0.1496
050	01173-51270	BOLT	1				0.067	0.1474
060	04015-60120	WASHER PLAIN	1				0.022	0.0484
070	04512-60120	WASHER SPRING	1				0.005	0.011
080	02172-50120	NUT	1				0.01	0.022
090	76539-34883	COMP.PULLEY TENSION	1				0.42	0.924
100	76539-34790	COVER TENSION	1				0.03	0.066
110	76539-34800	SEAL BEARING	1				0.001	0.0022
120	04612-00170	CIR CLIP EXTERNAL	2				0.001	0.0022
130	76539-12100	NIPPLE GREASE	1				0.005	0.011
140	36530-27350	SHIM	2				0.001	0.0022
150	76543-12100	NIPPLE GREASE	1	<=12072			0.003	0.0066
150	06613-10675	NIPPLE GREASE	1	>=12073	↔		0.003	0.0066
160	76539-34750	SPRING TENSION	1				0.18	0.396

MOWER DECK

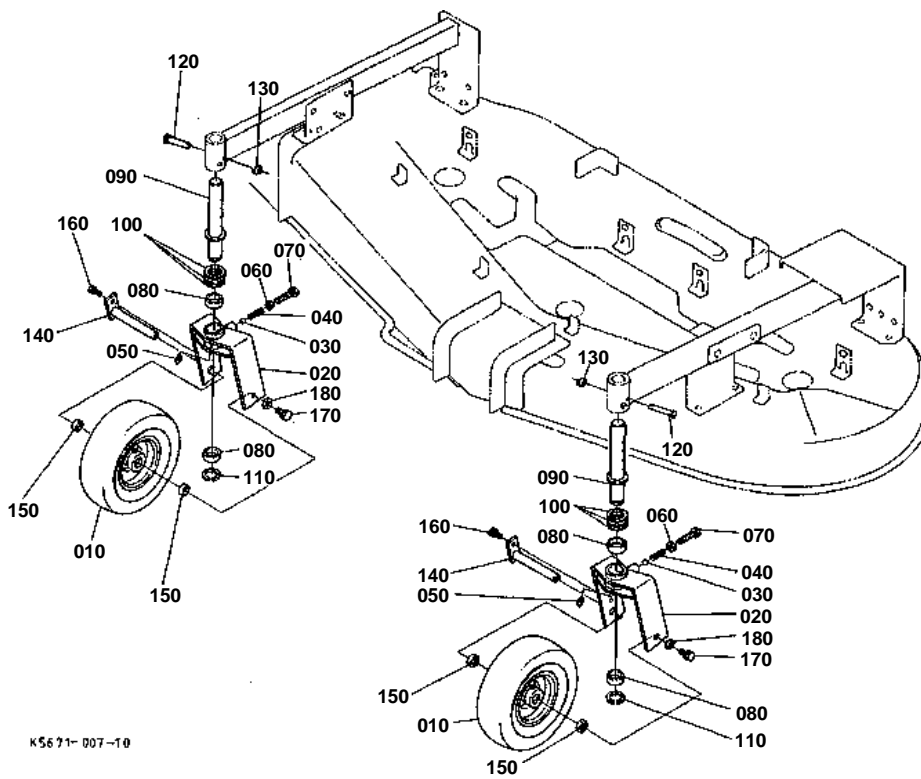


**MOWER DECK**

↔ Interchangeable; ≠ not interchangeable; ← new for old; → old for new

REF.No	Part No.	Description	Q'ty	S.No.	I/C	REMARKS	Weight (kgf)	Weight (lb)
010	K5671-41100	ASSY DECK MOWER	1				114	250.8
020	99999-99999	BLANK	0				0	0
030	66071-61780	LABEL CAUTION	1				0.005	0.011
040	66071-61790	LABEL CAUTION	1				0.002	0.0044
050	76611-47682	LABEL ANSI	1				0.001	0.0022
060	K5671-41112	FRAME LH	1	<=12368			0	0
060	K5671-41113	FRAME LH	1	>=12369	←		8.5	18.7
070	K5671-41120	FRAME RH	1				6.2	13.64
080	K5671-41133	FRAME	1				9.8	21.56
090	01173-51228	BOLT	8				0.036	0.0792
100	04015-60120	WASHER PLAIN	8				0.022	0.0484
110	04512-60120	WASHER SPRING	8				0.005	0.011
120	02174-50120	NUT	8				0.01	0.022
130	01173-51265	BOLT	4				0.063	0.1386
140	01173-51228	BOLT	2				0.036	0.0792
150	02174-50120	NUT	2				0.01	0.022
160	04512-60120	WASHER SPRING	6				0.005	0.011
170	K5671-41260	COVER LH	1				3.4	7.48
180	K5671-41300	COVER RH	1				3.2	7.04
190	K5671-33030	COVER JOINT	1				0.02	0.044
200	01123-60816	BOLT	2				0.01	0.022
210	K5671-41190	LABEL CUTTING HEIGHT	1				0.003	0.0066

FRONT GAUGE WHEEL



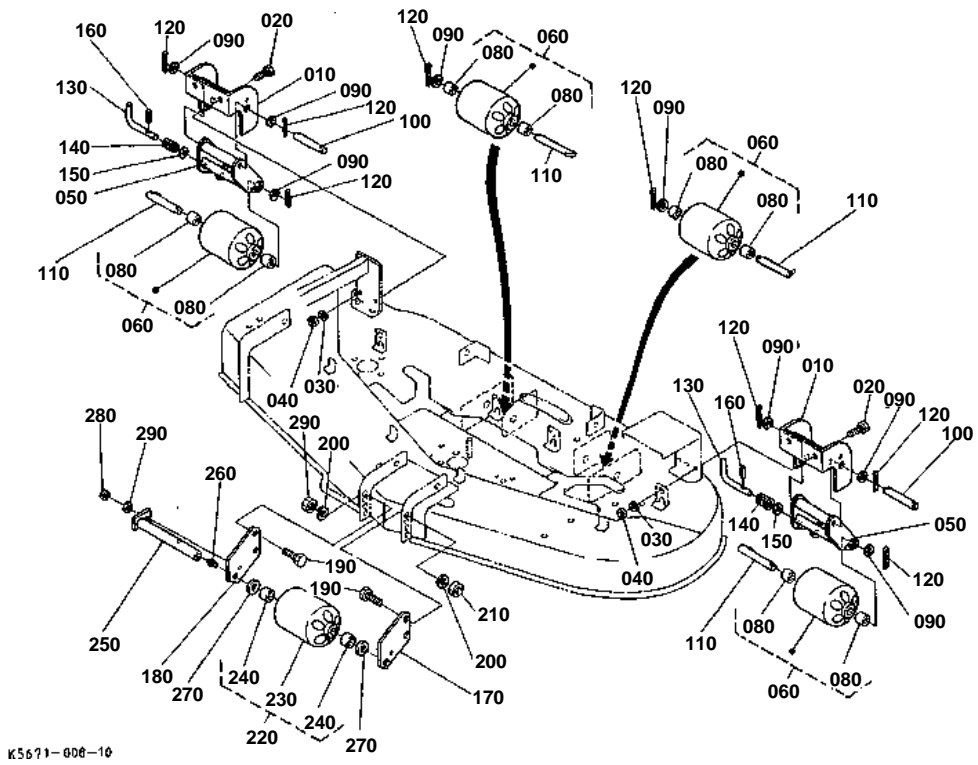


FRONT GAUGE WHEEL

↔ Interchangeable; ≠ not interchangeable; ← new for old; → old for new

REF.No	Part No.	Description	Q'ty	S.No.	I/C	REMARKS	Weight (kgf)	Weight (lb)
010	76543-42240	FRONT WHEEL	2				2.18	4.796
020	K5671-34200	HOLDER FRONT WHEEL	2				2.8	6.16
030	07715-00803	BALL	2				0.004	0.0088
040	76543-43130	SPRING FRONT WHEEL	2				0.01	0.022
050	06613-10675	NIPPLE GREASE	2				0.003	0.0066
060	02172-50120	NUT	2				0.01	0.022
070	01173-51225	BOLT	2				0.033	0.0726
080	70722-42190	BUSH	4				0.045	0.099
090	K5671-43110	SHAFT FRONT WHEEL	2				1.24	2.728
100	70722-43130	COLLAR FRONT WHEEL	6				0.015	0.033
110	04612-00300	CIR CLIP EXTERNAL	2				0.003	0.0066
120	05122-51055	PIN JOINT	2				0.035	0.077
130	70712-51140	RING SNAP	2				0.009	0.0198
140	K5671-34210	SHAFT FRONT WHEEL	2				0.33	0.726
150	76543-34220	COLLAR	4				0.09	0.198
160	01123-60814	BOLT	2				0.008	0.0176
170	01133-51025	BOLT	2				0.023	0.0506
180	04015-60100	WASHER PLAIN	2				0.015	0.033

ANTI-SCALP ROLLER



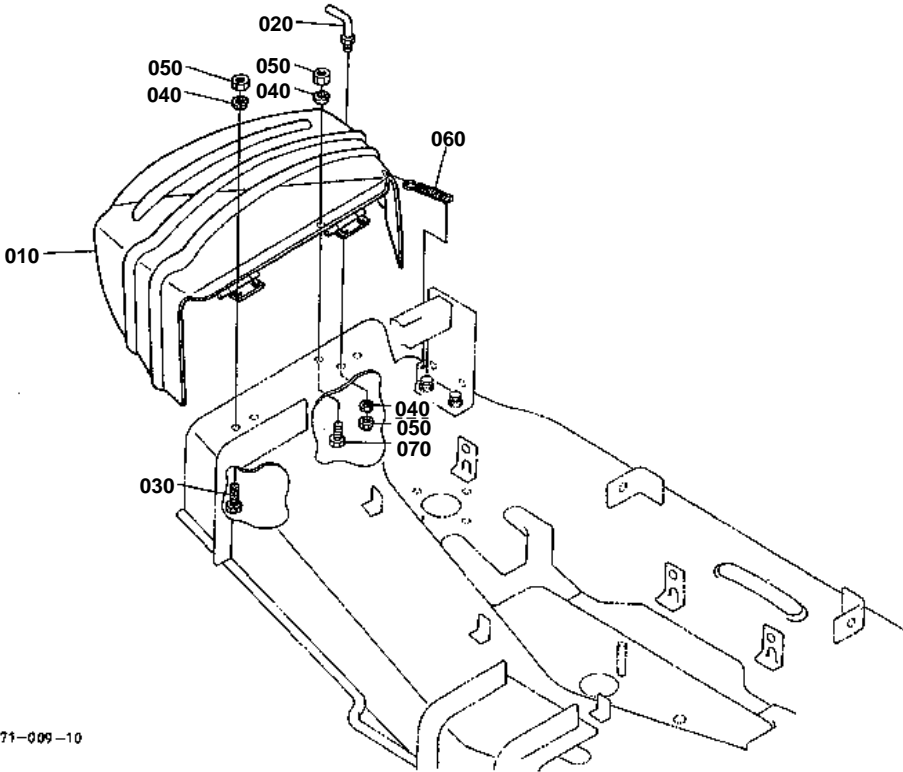


ANTI-SCALP ROLLER

↔ Interchangeable; ≠ not interchangeable; ← new for old; → old for new

REF.No	Part No.	Description	Q'ty	S.No.	I/C	REMARKS	Weight (kgf)	Weight (lb)
010	K5671-46150	HOLDER	2				0.81	1.782
020	01173-51025	BOLT	4				0.021	0.0462
030	04512-60100	WASHER SPRING	4				0.002	0.0044
040	02118-50100	NUT	4				0.005	0.011
050	K5671-46140	HOLDER	2				0.74	1.628
060	76559-46250	ASSY ROLL.ANTI-SCALP	4				0.38	0.836
070	99999-99999	BLANK	0				0	0
080	08511-01220	BUSH	8				0.004	0.0088
090	04011-50120	WASHER PLAIN	8				0.005	0.011
100	K5671-46190	PIN	2				0.127	0.2794
110	76543-46182	PIN GAUGE WHEEL	4				0.13	0.286
120	05511-50425	PIN SPLIT	8				0.003	0.0066
130	K5671-46180	PIN HINGE	2				0.11	0.242
140	62411-42320	SPRING	2				0.01	0.022
150	04011-50120	WASHER PLAIN	2				0.005	0.011
160	05411-00430	PIN SPRING	2				0.002	0.0044
170	K5671-46112	STAY ROLLER LH	1				0.318	0.6996
180	K5671-46130	STAY ROLLER RH	1				0.295	0.649
190	01173-51028	BOLT	4				0.022	0.0484
200	04512-60100	WASHER SPRING	4				0.002	0.0044
210	02118-50100	NUT	4				0.005	0.011
220	K5671-46250	ASSY ROLL.ANTI-SCALP	1				2.18	4.796
230	76543-46160	ROLLER	1				2.1	4.62
240	70722-44190	BUSH	2				0.041	0.0902
250	K5671-44173	SHAFT	1				0.48	1.056
260	06613-10675	NIPPLE GREASE	1				0.003	0.0066
270	04013-50200	WASHER PLAIN	2				0.02	0.044
280	02556-50080	NUT LOCK	1				0.004	0.0088
290	04012-50080	WASHER PLAIN	1				0.001	0.0022

DISCHARGE COVER



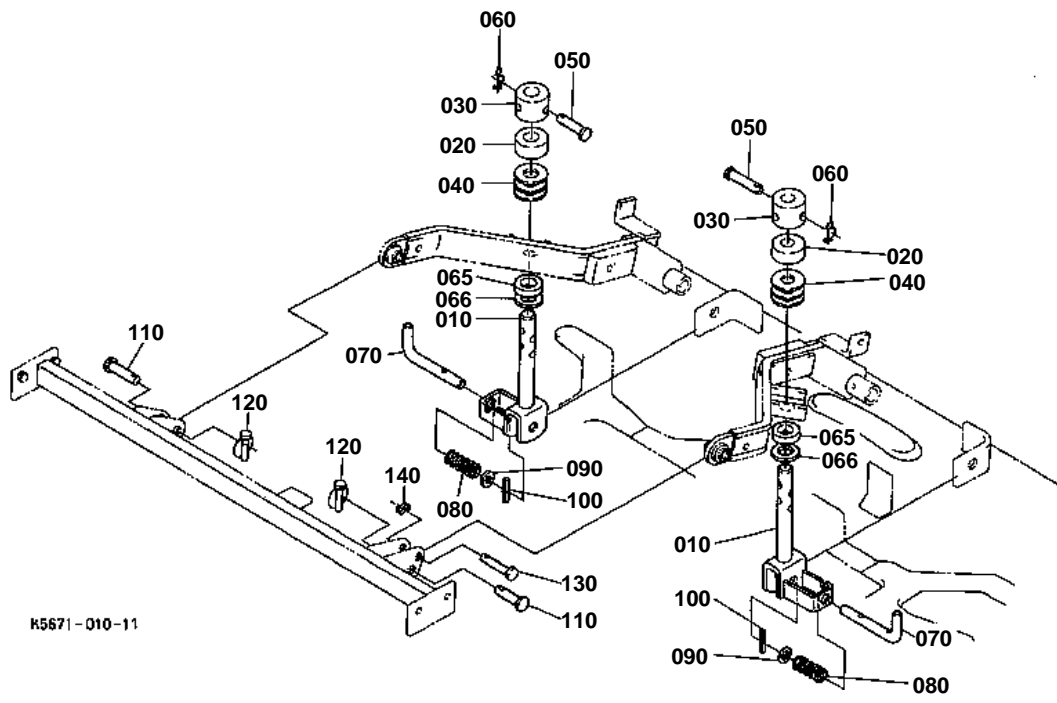


DISCHARGE COVER

↔ Interchangeable; ≠ not interchangeable; ← new for old; → old for new

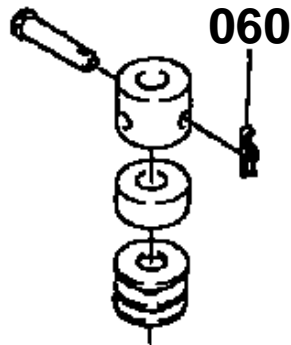
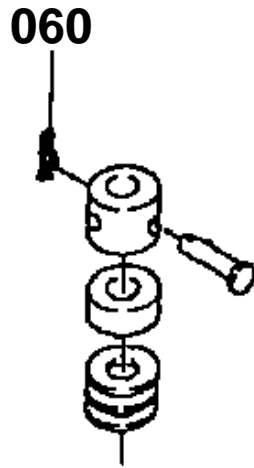
REF.No	Part No.	Description	Q'ty	S.No.	I/C	REMARKS	Weight (kgf)	Weight (lb)
010	76550-27113	COVER CHUTE	1				7	15.4
020	70721-47130	STOPPER CHUTE	1				0.05	0.11
030	01173-51025	BOLT	3				0.021	0.0462
040	04512-60100	WASHER SPRING	5				0.002	0.0044
050	02118-50100	NUT	5				0.005	0.011
060	70722-47120	SPRING	1				0.06	0.132
070	01173-51028	BOLT	1				0.022	0.0484

MOWER LINKAGE



R5671-010-11

060 05515-61000



K5671-800-10

**MOWER LINKAGE**

↔ Interchangeable; ≠ not interchangeable; ← new for old; → old for new

REF.No	Part No.	Description	Q'ty	S.No.	I/C	REMARKS	Weight (kgf)	Weight (lb)
010	K5671-51172	ROD LIFT	2				0.7	1.54
020	76544-51190	CUSHION RUBBER	2				0.15	0.33
030	76544-51212	COLLAR LIFTING	2				0.43	0.946
040	52500-21670	COLLAR	12				0.03	0.066
050	05122-51060	PIN JOINT	2				0.038	0.0836
060	05515-61000	PIN SNAP	2	<=10996			0.003	0.0066
060	52300-34130	PIN SNAP	2	>=10997	←		0.004	0.0088
065	36330-87430	CUSHION	2	>=12611			0.05	0.11
066	04011-60280	WASHER PLAIN	2	>=12611			0.05	0.11
070	76539-44650	PIN HINGE	2				0.19	0.418
080	76539-44670	SPRING HINGE PIN	2				0.01	0.022
090	04011-50140	WASHER PLAIN	2				0.007	0.0154
100	05411-00540	PIN SPRING	2				0.004	0.0088
110	31150-71360	PIN JOINT	2				0.166	0.3652
120	34150-37640	PIN SET	2				0.06	0.132
130	05122-51075	PIN JOINT	1				0.046	0.1012
140	70712-51140	RING SNAP	1				0.009	0.0198



ACCESSORIES

↔ Interchangeable; ≠ not interchangeable; ← new for old; → old for new

REF.No	Part No.	Description	Q'ty	S.No.	I/C	REMARKS	Weight (kgf)	Weight (lb)
010	K5671-71110	MANUAL INSTRUCTION	1			ENGLISH	0.072	0.1584