

Instructions for Parts Books

The heading at the top of the page will be the same for the picture of the parts as it is for the page with the part numbers.

Definition of column headings on part number pages:

REF.No → The number referring to the part on the picture page of the parts book.

Part No. → The number assigned to this part at the time of printing the parts book.

Description → Description of part.

Q'ty → Quantity of part used on that page.

S.No. → Serial number range of the equipment that this part will fit.

>= Your serial number should be greater than or equal to the number shown.

<= Your serial number should be lesser than or equal to the serial number shown.

I/C → Interchangeability of part shown.

↔ The part shown will work for the older and later serial number.

The part shown is not interchangeable with the other serial number.

← new for old

→ old for new

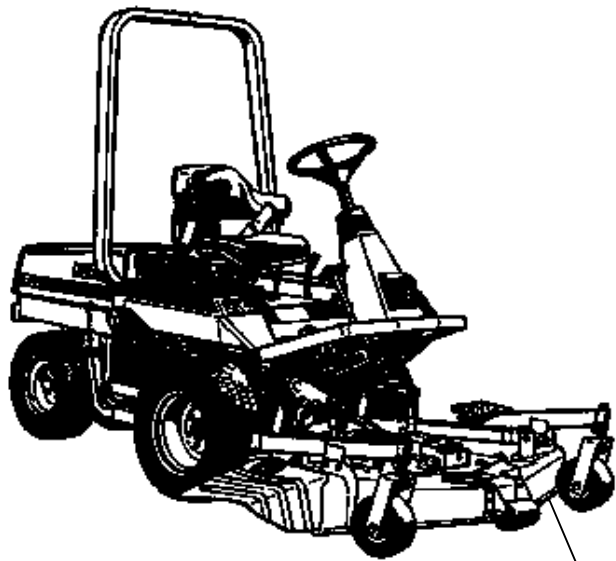
Remarks → Notes about this particular part. Sometimes this may say except [FR] or [CA]

Note about Country Codes:

The parts books we use in the United States of America may also contain information about a part that would be different in another country. It is important that you are aware of the country codes in some instances.

Symbol	Country
A	United States of America
CA	Canada
FR	France
GR	Greece
PO	Portugal
AU	Australia

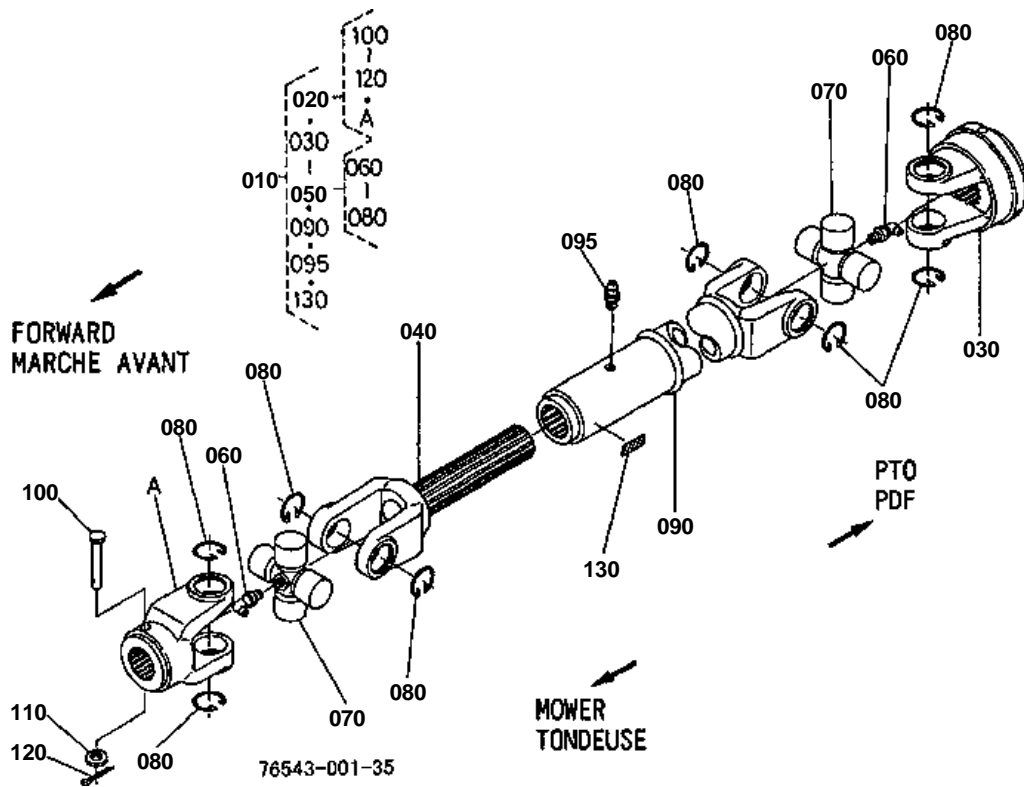
If the remarks column says for example EXCEPT [FR] this part works in all countries except France. That means it will work here in the USA.



MOWER

Item	Part No.	Description	Book
MOWER	01G09602	UNIVERSAL JOINT	100K0497
	01G09702	BEVEL CASE/CENTER PULLEY	100K0497
	01G09802	PULLEY HOLDER/BLADE	100K0497
	01G09902	SIDE PULLEY/BLADE	100K0497
	01G100	TENSION PULLEY	100K0497
	01G10102	MOWER DECK	100K0497
	01G10202	WHEEL STAY/COVER/LABEL	100K0497
	01G10302	ANTI-SCALP ROLLER	100K0497
	01G10402	MOWER LINK	100K0497
	01G10502	LIFT ROD	100K0497
	01G107	ACCESSORIES AND SERVICE PARTS	100K0497

UNIVERSAL JOINT



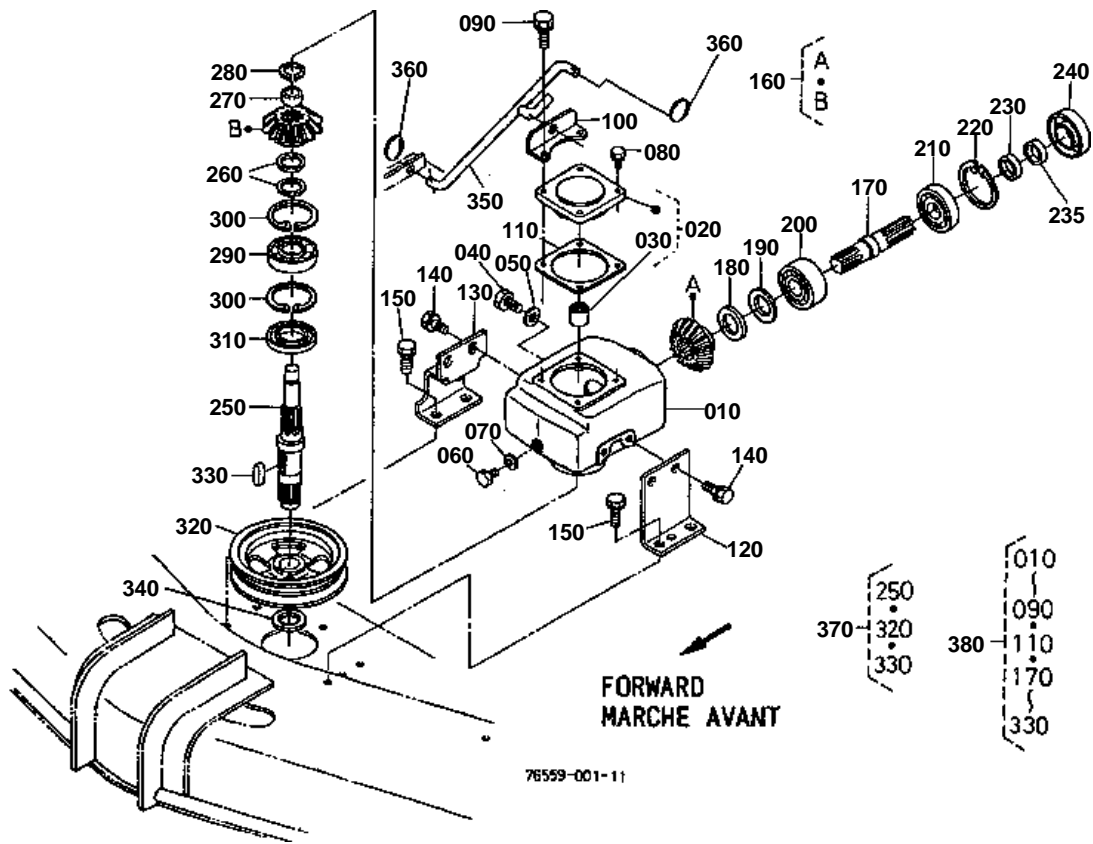


UNIVERSAL JOINT

↔ Interchangeable; ≠ not interchangeable; ← new for old; → old for new

REF.No	Part No.	Description	Q'ty	S.No.	I/C	REMARKS	Weight (kgf)	Weight (lb)
010	76544-98010	JOINT UNIVERSAL	1				4.3	9.46
020	70722-98140	ASSY YOKE	1				0.05	0.11
030	76543-31140	ASSY AS YOKE	1				0.37	0.814
040	76544-31150	YOKE SHAFT	1				1.3	2.86
050	70720-32110	ASSY JOINT CROSS	2				0.2	0.44
060	70720-31212	NIPPLE GREASE	2				0.006	0.0132
070	70720-31182	JOINT CROSS	2				0.21	0.462
080	70720-32120	RING SNAP	8				0.001	0.0022
090	76544-31174	YOKE SLEEVE	1				1.59	3.498
095	06613-10675	NIPPLE GREASE	1				0.003	0.0066
100	05122-50845	PIN JOINT	1				0.018	0.0396
110	04012-50080	WASHER PLAIN	1				0.001	0.0022
120	05511-50218	PIN SPLIT	1				0.001	0.0022
130	76550-31150	MARK	1				0.001	0.0022

BEVEL CASE/CENTER PULLEY



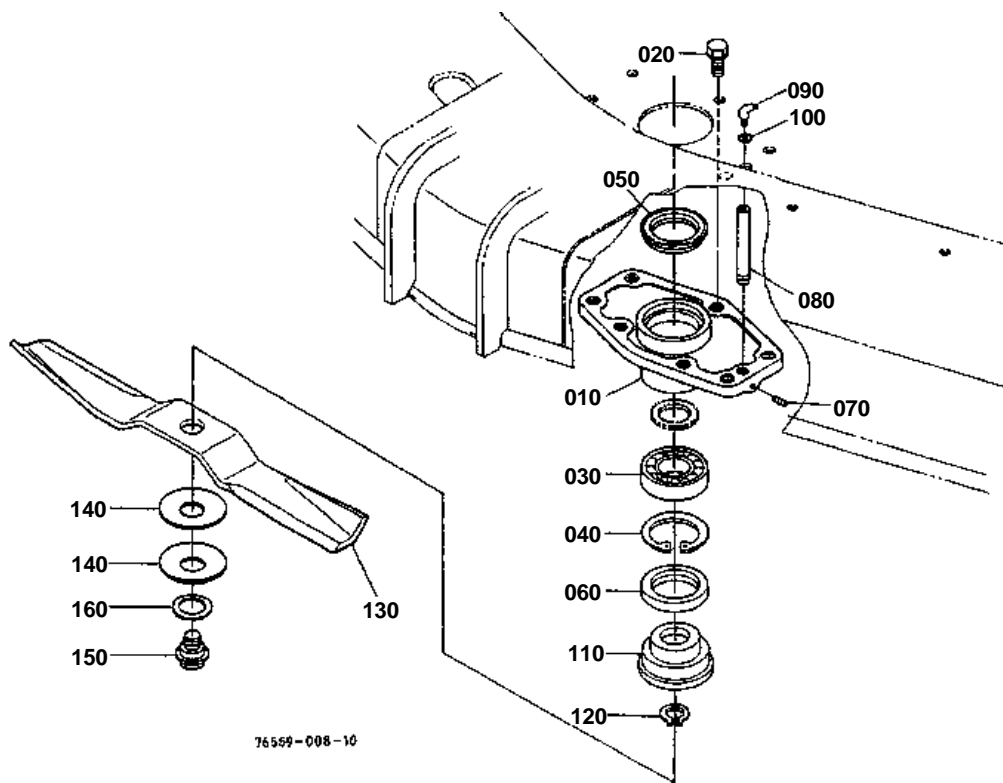
78559-001-11

**BEVEL CASE/CENTER PULLEY**

↔ Interchangeable; ≠ not interchangeable; ← new for old; → old for new

REF.No	Part No.	Description	Q'ty	S.No.	I/C	REMARKS	Weight (kgf)	Weight (lb)
010	76550-33110	CASE BEVEL GEAR	1				5.3	11.66
020	76550-33100	ASSY COVER BEVELCASE	1				0.51	1.122
030	76550-33580	BEARING NEEDLE	1				0.01	0.022
040	06331-35020	PLUG	1				0.068	0.1496
050	04717-02000	WASHER WITH RUBBER	1				0.004	0.0088
060	01173-51218	BOLT	1				0.028	0.0616
070	04717-01200	WASHER WITH RUBBER	1				0.002	0.0044
080	01123-60816	BOLT	2				0.01	0.022
090	01123-50820	BOLT	2				0.011	0.0242
100	76544-32040	STAY ROD	1				0.09	0.198
110	76550-33142	GASKET	1				0.001	0.0022
120	76553-33130	STAY BEVEL CASE LH	1				0.4	0.88
130	76553-33152	STAY BEVEL CASE RH	1				0.4	0.88
140	01133-61222	BOLT	4				0.035	0.077
150	01133-51235	BOLT	4				0.05	0.11
160	76544-99020	KIT GEAR BEVEL	1			17-18T	0.6	1.32
170	76550-33310	SHAFT PINION	1				0.525	1.155
180	70720-33350	SHIM	1			0.2MM	0.001	0.0022
190	70720-33360	SHIM	1			0.3MM	0.001	0.0022
200	08241-05305	BEARING BALL	1				0.358	0.7876
210	08101-06305	BEARING BALL	1				0.23	0.506
220	04611-00620	CIR CLIP INTERNAL	1				0.011	0.0242
230	66591-56420	BUSH	1				0.021	0.0462
240	67121-56660	SEAL OIL	1	≤10304			0.027	0.0594
240	76535-33530	SEAL OIL	1	≥10305	↔		0.025	0.055
250	76550-33510	SHAFT BEVEL GEAR	1				0.82	1.804
260	76550-33350	SHIM	1			0.2MM	0.001	0.0022
260	76550-33360	SHIM	1			0.3MM	0.001	0.0022
270	76550-33560	COLLAR	1				0.012	0.0264
280	04612-00220	CIRCLIP EXTERNAL	1				0.001	0.0022
290	08101-06305	BEARING BALL	1				0.23	0.506
300	04611-00620	CIR CLIP INTERNAL	2				0.011	0.0242
310	54617-22850	SEAL OIL	1	≤10304			0.03	0.066
310	76540-34350	SEAL OIL	1	≥10305	↔		0.03	0.066
320	76553-33522	PULLEY CENTER	1				1.9	4.18
330	05712-00730	KEY FEATHER	1				0.011	0.0242
340	76559-33540	COLLAR	1				0.04	0.088
350	76559-32030	ROD	1				0.25	0.55
360	76550-42190	RING SNAP	2	≤10331			0.004	0.0088
360	70712-51140	RING SNAP	2	≥10332	↔		0.009	0.0198
370	76559-99040	ASSY PULLEY CENTER	1				2.65	5.83
380	76559-99170	ASSY CASE GEAR	1				11	24.2

PULLEY HOLDER/BLADE

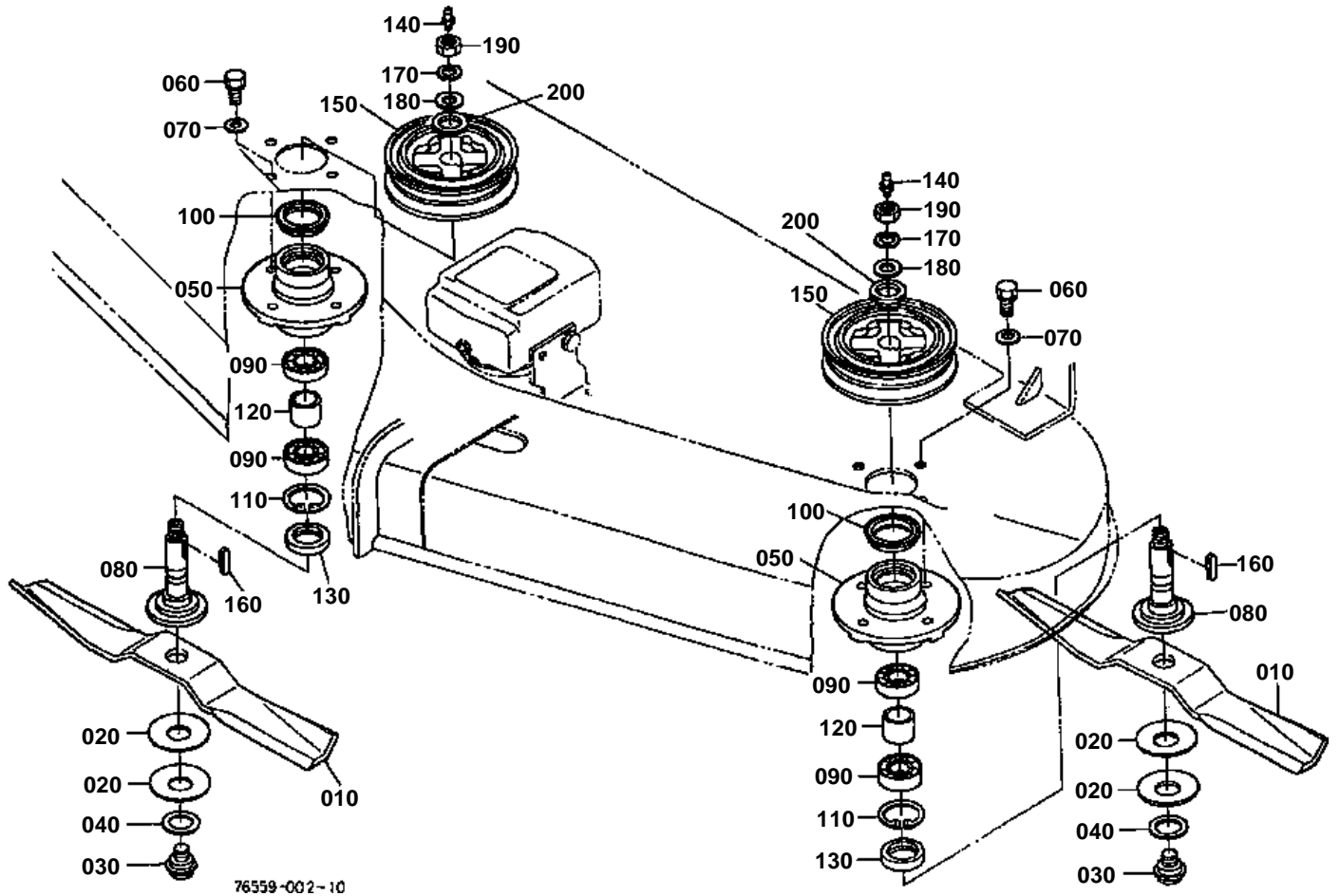


**PULLEY HOLDER/BLADE**

↔ Interchangeable; ≠ not interchangeable; ← new for old; → old for new

REF.No	Part No.	Description	Q'ty	S.No.	I/C	REMARKS	Weight (kgf)	Weight (lb)
010	76550-34110	HOLDER PULLEY	1				2.95	6.49
020	01133-51225	BOLT	3				0.038	0.0836
030	76550-34140	BEARING BALL	1				0.21	0.462
040	04611-00620	CIR CLIP INTERNAL	1				0.011	0.0242
050	76550-34120	SEAL OIL	1				0.027	0.0594
060	76550-34160	SEAL OIL	1	≤10304			0	0
060	76550-34162	SEAL OIL	1	≥10305	←		0.03	0.066
070	03410-50606	SCREW SET	1				0.001	0.0022
080	76550-34130	PIPE EXTENSION	1				0.035	0.077
090	67111-44250	NIPPLE GREASE	1				0.005	0.011
100	66616-34390	SHIM ADJUSTING	1				0.001	0.0022
110	76550-34150	BOSS BLADE	1				0.53	1.166
120	04612-00280	CIRCLIP EXTERNAL	1				0.003	0.0066
130	76544-99050	BLADE	1				2.14	4.708
140	76550-34350	RETAINER BLADE	2				0.075	0.165
150	76550-34373	BOLT LOCKING BLADE	1				0.12	0.264
160	76550-34390	WASHER LOCK	1				0.01	0.022

SIDE PULLEY/BLADE

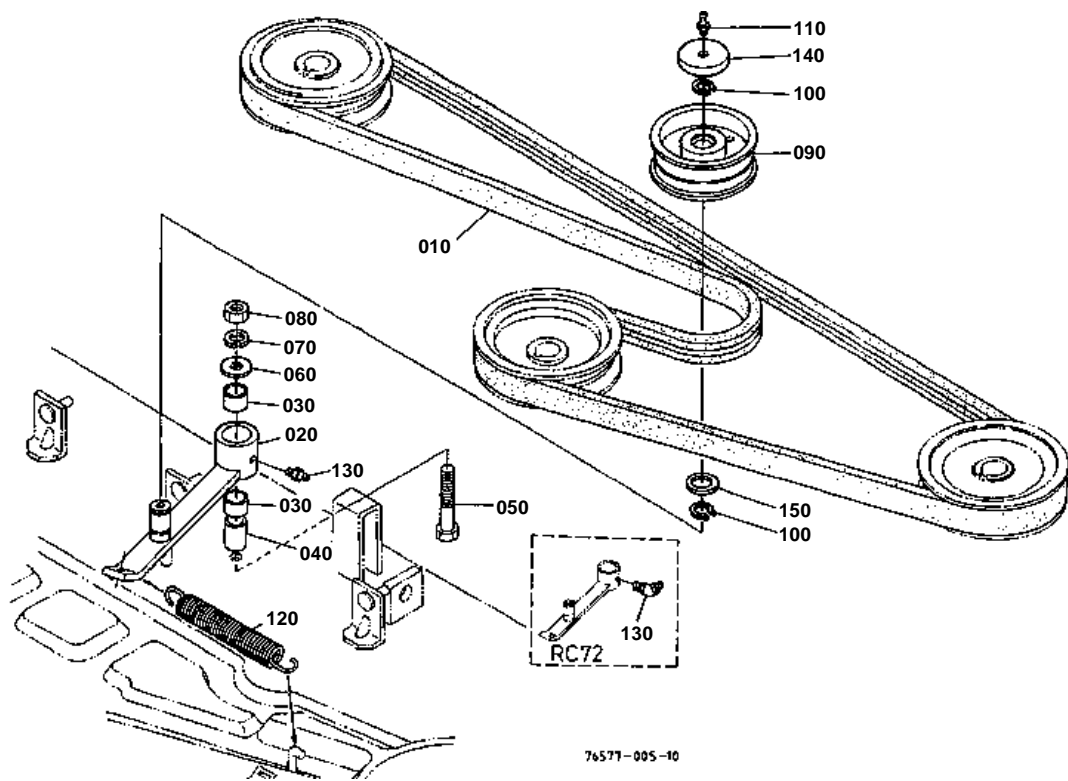


**SIDE PULLEY/BLADE**

↔ Interchangeable; ≠ not interchangeable; ← new for old; → old for new

REF.No	Part No.	Description	Q'ty	S.No.	I/C	REMARKS	Weight (kgf)	Weight (lb)
010	76544-99050	BLADE	2				2.14	4.708
020	76550-34350	RETAINER BLADE	4				0.075	0.165
030	76550-34373	BOLT LOCKING BLADE	2				0.12	0.264
040	76550-34390	WASHER LOCK	2				0.01	0.022
050	76550-34510	HOLDER PULLEY	2				2.5	5.5
060	01133-51230	BOLT	8				0.04	0.088
070	04015-60120	WASHER PLAIN	8				0.022	0.0484
080	76550-34530	SHAFT BLADE	2				0.74	1.628
090	76550-34540	BEARING BALL	4				0.13	0.286
100	70722-34120	SEAL OIL	2				0.025	0.055
110	04611-00520	CIR CLIP INTERNAL	2				0.009	0.0198
120	76550-34550	PIECE DISTANCE	2				0.1	0.22
130	09500-35528	SEAL OIL	2	≤10304			0.017	0.0374
130	70725-34162	SEAL OIL	2	≥10305	←		0.024	0.0528
140	06613-10675	NIPPLE GREASE	2				0.003	0.0066
150	76553-33580	PULLEY SIDE LH	2				2.49	5.478
160	05712-00722	KEY FEATHER	2				0.009	0.0198
170	70725-33600	WASHER SPRING	2				0.015	0.033
180	70721-34560	WASHER PLAIN	2				0.01	0.022
190	76550-34580	NUT	2				0.022	0.0484
200	76559-33550	COLLAR	2				0.04	0.088

TENSION PULLEY

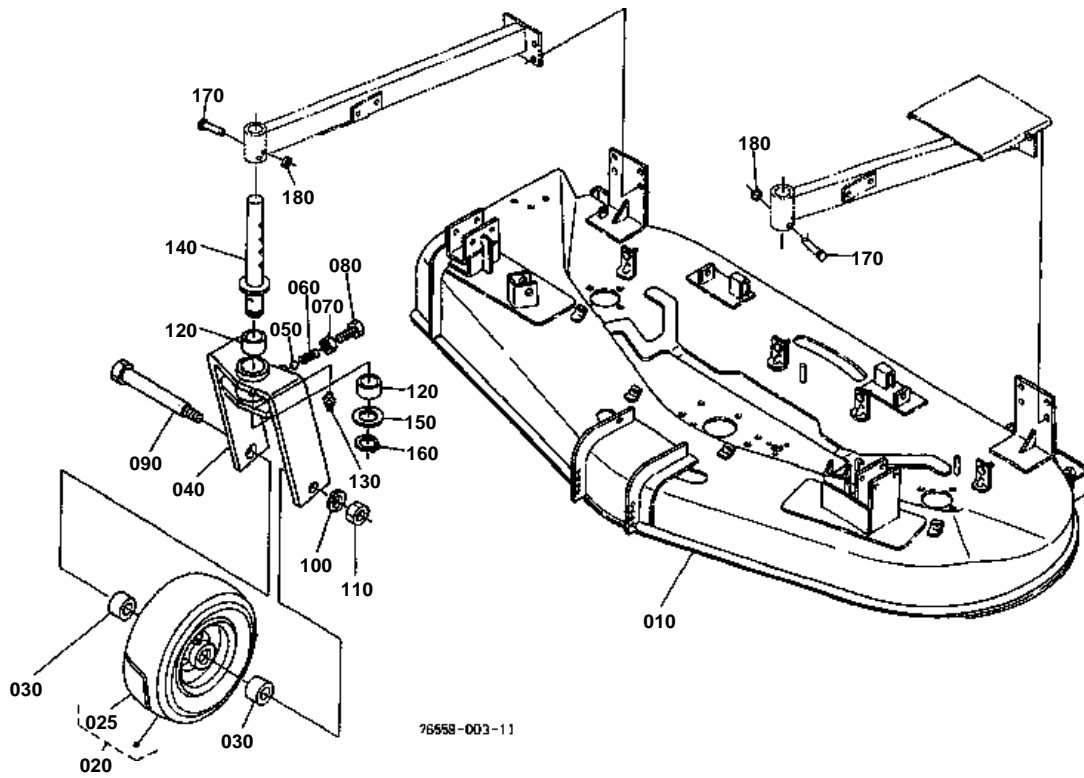


**TENSION PULLEY**

↔ Interchangeable; ≠ not interchangeable; ← new for old; → old for new

REF.No	Part No.	Description	Q'ty	S.No.	I/C	REMARKS	Weight (kgf)	Weight (lb)
010	76553-34710	BELT MULTI	1			138 INCH	1.08	2.376
020	76539-34733	ARM TENSION	1	≤10208			0.55	1.21
020	76539-34734	ARM TENSION	1	≥10209	←		0.6	1.32
030	08511-02020	BUSH	2				0.01	0.022
040	76539-34780	COLLAR TENSION	1				0.06	0.132
050	01173-51270	BOLT	1				0.067	0.1474
060	04015-60120	WASHER PLAIN	1				0.022	0.0484
070	04512-50120	WASHER SPRING	1				0	0
080	02172-50120	NUT	1				0.01	0.022
090	76539-34880	ASSY PULLEY TENSION	1	≤10208			0	0
090	76539-34883	COMP.PULLEY TENSION	1	≥10209	↔		0.42	0.924
100	04612-00170	CIRCLIP EXTERNAL	2				0.001	0.0022
110	06613-10675	NIPPLE GREASE	1	≤10208			0.003	0.0066
110	76539-12100	NIPPLE GREASE	1	≥10209	≠		0.005	0.011
120	76539-34750	SPRING TENSION	1				0.18	0.396
130	67111-44250	NIPPLE GREASE	1				0.005	0.011
140	76539-34790	COVER TENSION	1	≥10209			0.03	0.066
150	76539-34800	SEAL BEARING	1	≥10209			0.001	0.0022

MOWER DECK



76558-003-11

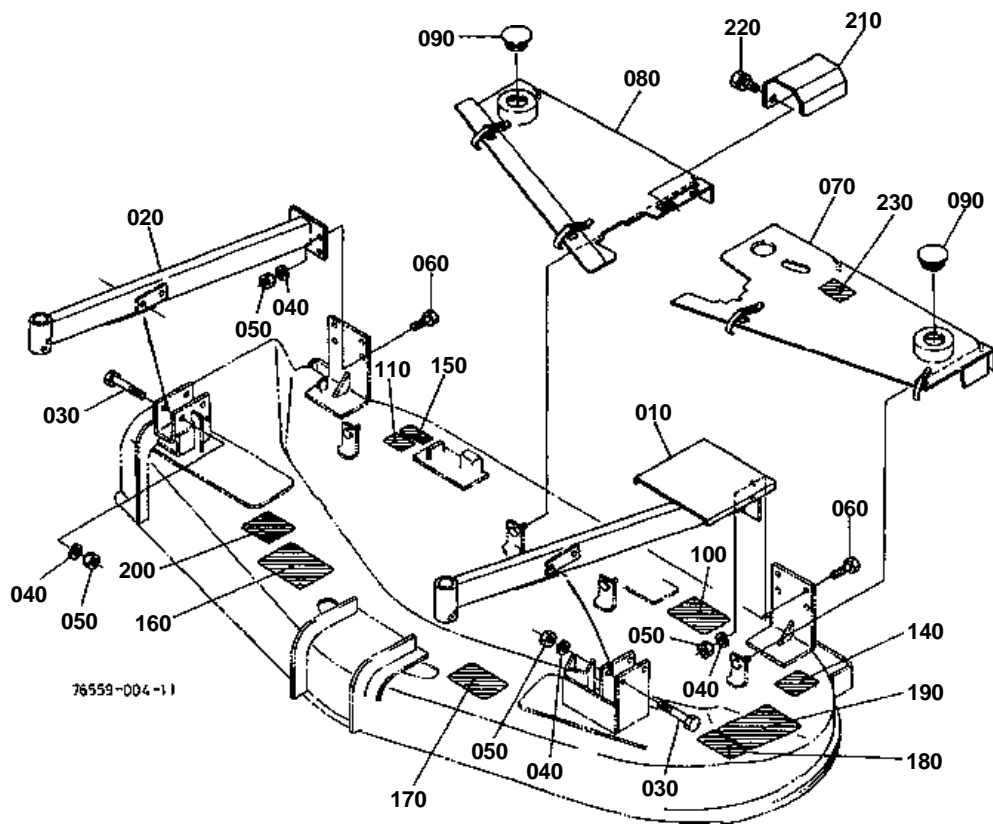


MOWER DECK

↔ Interchangeable; ≠ not interchangeable; ← new for old; → old for new

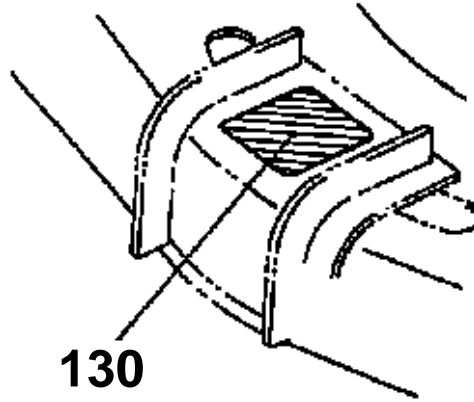
REF.No	Part No.	Description	Q'ty	S.No.	I/C	REMARKS	Weight (kgf)	Weight (lb)
010	76559-41160	DECK MOWER	1				25	55
020	76543-42240	FRONT WHEEL	2				2.18	4.796
025	76543-99510	TUBE GAUGE WHEEL	2				0.19	0.418
030	76543-34220	COLLAR	4				0.09	0.198
040	76543-34200	SUPPORT FRONT WHEEL	2				2.85	6.27
050	07715-00803	BALL	2				0.004	0.0088
060	76543-43130	SPRING FRONT WHEEL	2				0.01	0.022
070	02172-50120	NUT	2				0.01	0.022
080	01173-51225	BOLT	2				0.033	0.0726
090	76543-34210	AXLE FRONT	2				0.24	0.528
100	04512-60140	WASHER SPRING	2				0.006	0.0132
110	02174-50140	NUT	2				0.014	0.0308
120	70722-42190	BUSH	4				0.045	0.099
130	06613-10675	NIPPLE GREASE	2				0.003	0.0066
140	76577-43110	SHAFT FRONT WHEEL	2				1.24	2.728
150	70722-43130	COLLAR FRONT WHEEL	2				0.015	0.033
160	04612-00300	CIRCLIP EXTERNAL	2				0.003	0.0066
170	05122-51055	PIN JOINT	2				0.035	0.077
180	70712-51140	RING SNAP	2				0.009	0.0198

WHEEL STAY/COVER/LABEL



130 70720-4715-4

130 70712-1147-0



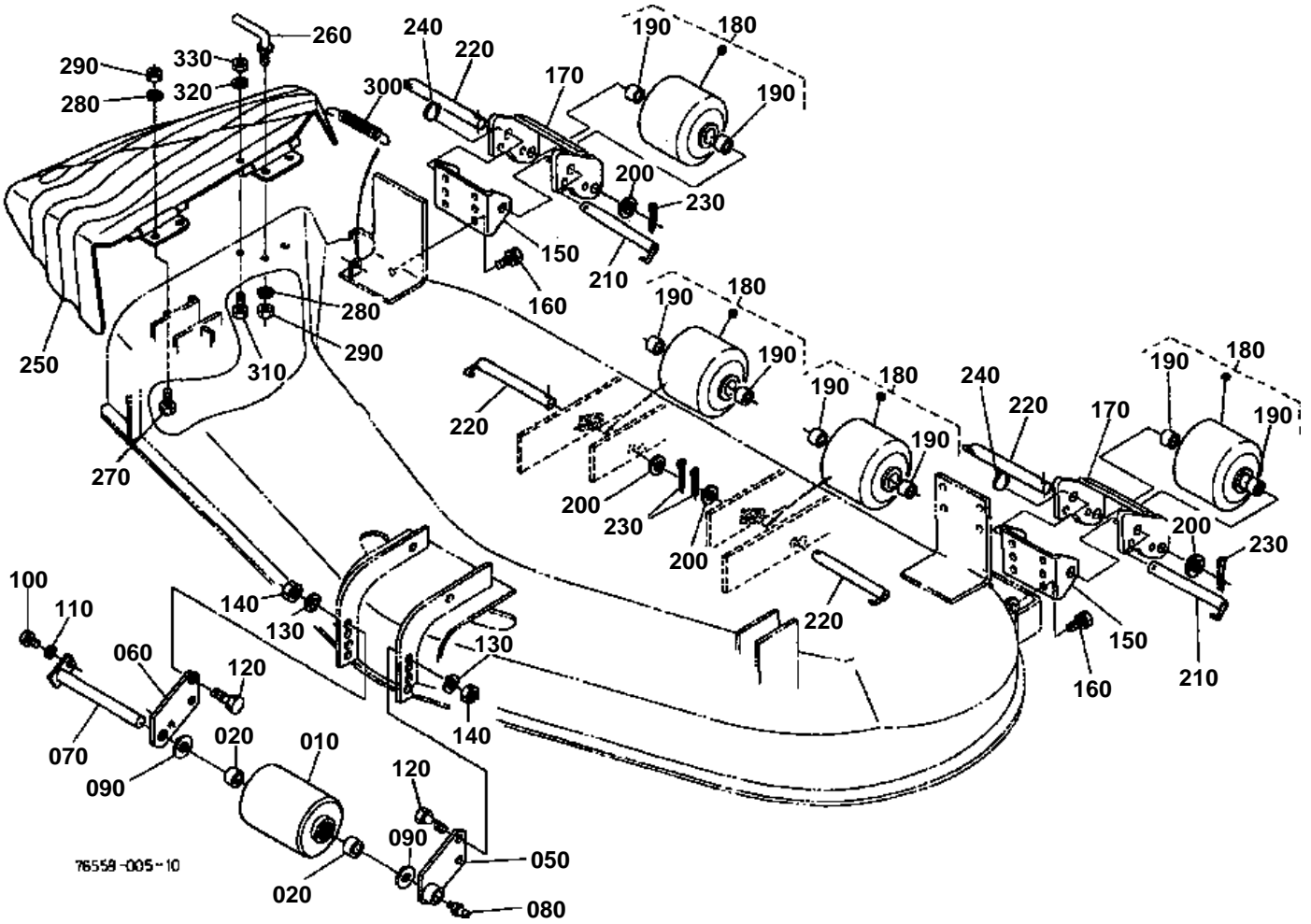
76559-800-10

**WHEEL STAY/COVER/LABEL**

↔ Interchangeable; ≠ not interchangeable; ← new for old; → old for new

REF.No	Part No.	Description	Q'ty	S.No.	I/C	REMARKS	Weight (kgf)	Weight (lb)
010	76559-41120	STAY FRONT WHEEL LH	1				6	13.2
020	76559-41130	STAY FRONT WHEEL RH	1				4.7	10.34
030	01173-51270	BOLT	4				0.067	0.1474
040	04512-50120	WASHER SPRING	12				0	0
050	02176-50120	NUT	12				0.01	0.022
060	01173-51225	BOLT	8				0.033	0.0726
070	76559-41260	COVER LH	1				3.5	7.7
080	76559-41300	COVER RH	1				3.2	7.04
090	66204-51160	PLUG	2				0.007	0.0154
100	76559-41210	LABEL MOWER LIFT	1				0.003	0.0066
100	76559-11510	LABEL MOWER LIFT	1			[CA] FRENCH	0	0
130	70720-47154	LABEL CAUTION	1	<=10298			0.001	0.0022
130	70712-11470	LABEL CAUTION	1	<=10298		[CA] FRENCH	0.002	0.0044
140	66071-61790	LABEL CAUTION	1				0.002	0.0044
140	76530-11420	LABEL CAUTION	1			[CA] FRENCH	0.001	0.0022
150	76611-47680	LABEL ANSI	1	<=10214			0	0
150	76611-47682	LABEL ANSI	1	>=10215	←		0.001	0.0022
160	76559-41140	LABEL CUTTING HEIGHT	1				0.004	0.0088
160	76559-11490	LABEL CUTTING HEIGHT	1			[CA] FRENCH	0	0
170	76550-34570	LABEL BLADE	1				0.006	0.0132
170	76550-11340	NAME PLATE BLADE	1			[CA] FRENCH	0.001	0.0022
180	76650-36310	LABEL MOWER TILT	1				0.005	0.011
180	76651-36310	LABEL MOWER TILT	1			[CA] FRENCH	0.001	0.0022
190	76559-41290	LABEL MOWER TILT	1				0.007	0.0154
190	76559-11500	LABEL MOWER TILT	1			[CA] FRENCH	0	0
200	66071-61780	LABEL CAUTION	1				0.005	0.011
200	76530-11480	LABEL CAUTION	1			[CA] FRENCH	0.005	0.011
210	76577-32030	COVER JOINT	1	<=10208			0	0
210	76543-32034	COVER JOINT	1	>=10209	←		0.48	1.056
220	01123-60816	BOLT	2				0.01	0.022
230	76539-34830	LABEL GREASE UP	1	>=10209			0.002	0.0044

ANTI-SCALP ROLLER

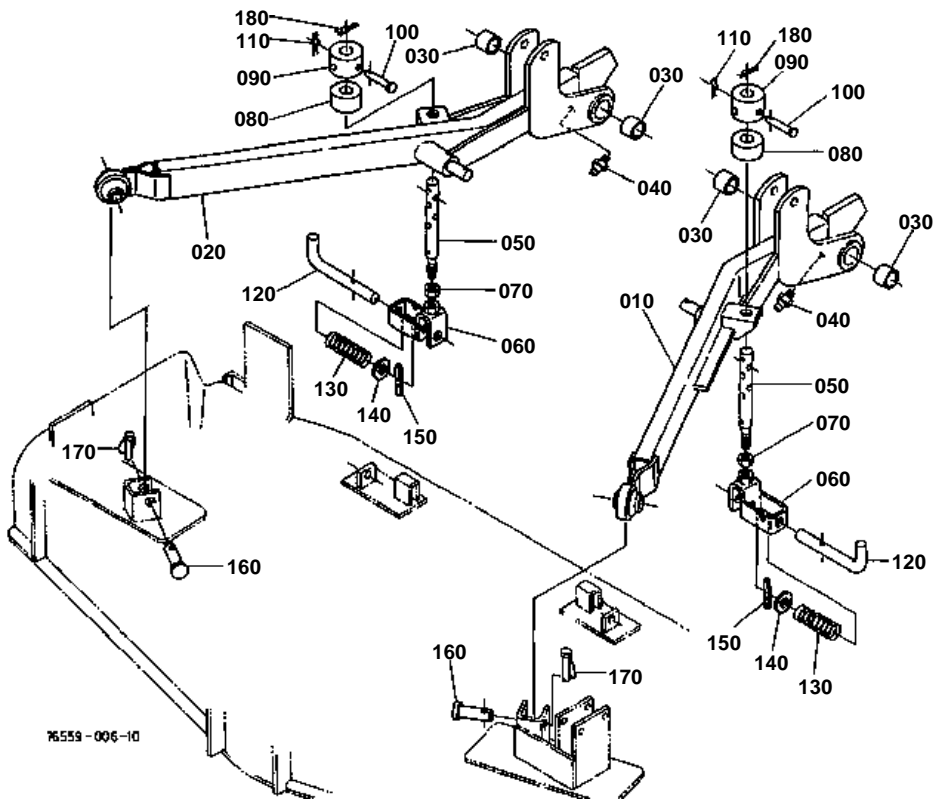


**ANTI-SCALP ROLLER**

↔ Interchangeable; ≠ not interchangeable; ← new for old; → old for new

REF.No	Part No.	Description	Q'ty	S.No.	I/C	REMARKS	Weight (kgf)	Weight (lb)
010	76543-46160	ROLLER	1				2.1	4.62
020	70722-44190	BUSH	2				0.041	0.0902
050	76544-46110	STAY LIMIT ROLLER LH	1				0.33	0.726
060	76543-46130	STAY LIMIT ROLLER RH	1				0.29	0.638
070	76538-44170	SHAFT REAR WHEEL	1				0.49	1.078
080	06613-10010	NIPPLE GREASE	1				0.006	0.0132
090	04013-50200	WASHER PLAIN	2				0.02	0.044
100	01153-50812	BOLT	1				0.008	0.0176
110	04512-60080	WASHER SPRING	1				0.002	0.0044
120	01173-51028	BOLT	4				0.022	0.0484
130	04512-60100	WASHER SPRING	4				0.002	0.0044
140	02118-50100	NUT	4				0.005	0.011
150	76559-46150	HOLDER	2				0.4	0.88
160	01133-51022	BOLT	4				0.025	0.055
170	76559-46140	HOLDER	2				0.6	1.32
180	76559-46250	ASSY ROLL.ANTI-SCALP	4				0.38	0.836
190	08511-01220	BUSH	8				0.004	0.0088
200	04011-50120	WASHER PLAIN	2				0.005	0.011
210	76543-46180	PIN GAUGE WHEEL	2				0	0
220	70720-46183	PIN GAUGE WHEEL	4				0.125	0.275
230	05511-50425	PIN SPLIT	4				0.003	0.0066
240	76550-42190	RING SNAP	2				0.004	0.0088
250	76550-27110	COVER CHUTE	1	<=10351			0	0
250	76550-27113	COVER CHUTE	1	>=10352	≠		7	15.4
260	70721-47130	STOPPER CHUTE	1				0.05	0.11
270	01173-51025	BOLT	3				0.021	0.0462
280	04512-60100	WASHER SPRING	4				0.002	0.0044
290	02118-50100	NUT	4				0.005	0.011
300	70722-47120	SPRING	1				0.06	0.132
310	01173-51028	BOLT	1				0.022	0.0484
320	04512-60100	WASHER SPRING	1				0.002	0.0044
330	02118-50100	NUT	1				0.005	0.011

MOWER LINK



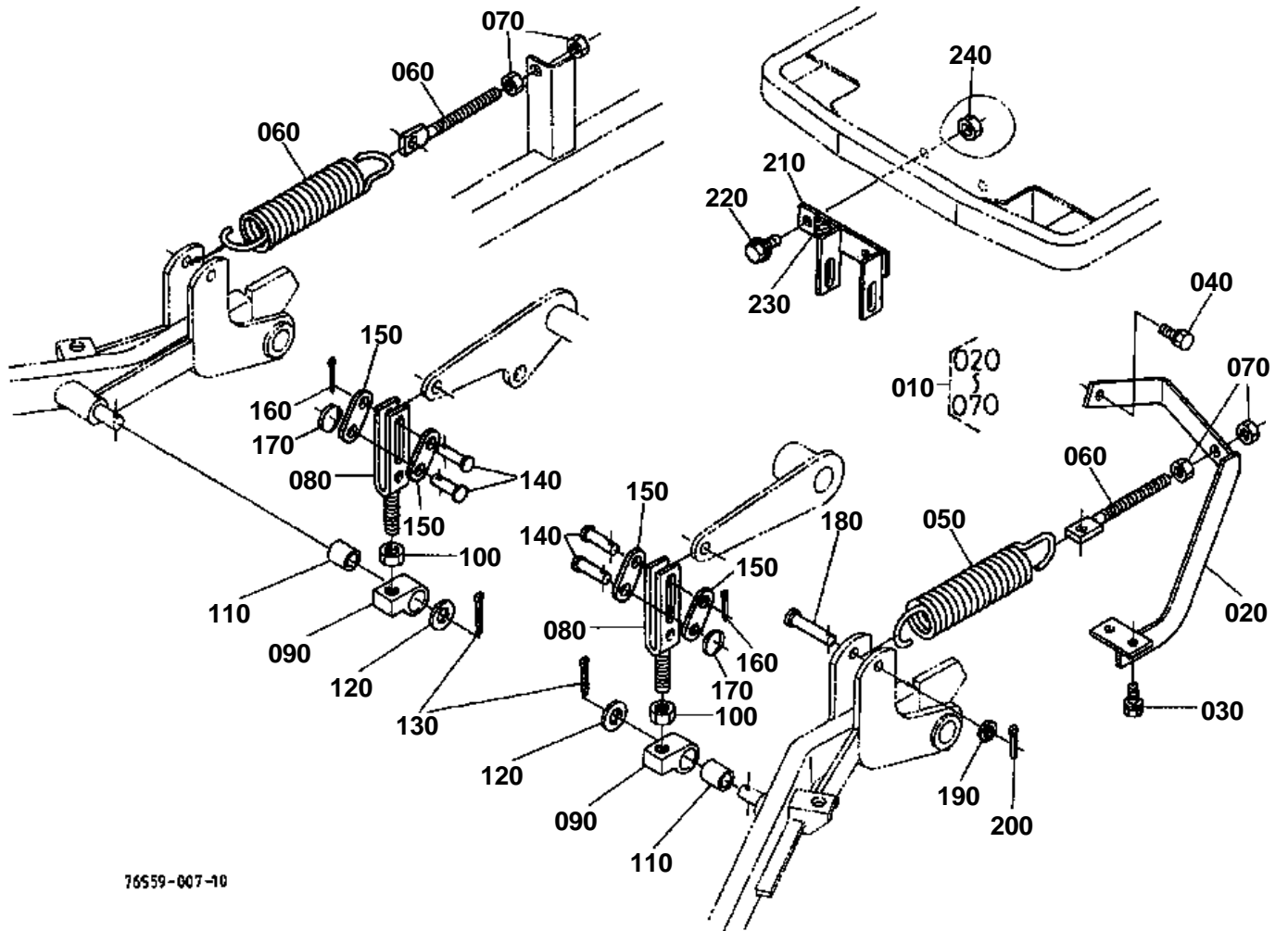
76559-006-10

**MOWER LINK**

↔ Interchangeable; ≠ not interchangeable; ← new for old; → old for new

REF.No	Part No.	Description	Q'ty	S.No.	I/C	REMARKS	Weight (kgf)	Weight (lb)
010	76559-51110	LINK MOWER LH	1				9	19.8
020	76559-51130	LINK MOWER RH	1				9	19.8
030	08511-02530	BUSH	4				0.03	0.066
040	06613-10675	NIPPLE GREASE	2				0.003	0.0066
050	76559-51170	ROD LIFT	2				0.37	0.814
060	76577-51150	HOLDER	2				0.2	0.44
070	02114-50120	NUT	2				0.011	0.0242
080	76544-51190	CUSHION	2				0.15	0.33
090	76544-51212	COLLAR LIFTING	2				0.43	0.946
100	05122-51060	PIN JOINT	2				0.038	0.0836
110	05515-61000	PIN SNAP	2				0.003	0.0066
120	76539-44650	PIN HINGE	2				0.19	0.418
130	76539-44670	SPRING HINGE PIN	2				0.01	0.022
140	04011-50140	WASHER PLAIN	2				0.007	0.0154
150	05411-00540	PIN SPRING	2				0.004	0.0088
160	31150-71360	PIN JOINT	2				0.166	0.3652
170	34150-37640	PIN SET	2				0.06	0.132
180	70324-56320	PIN SNAP	2				0.03	0.066

LIFT ROD



76559-007-10

**LIFT ROD**

↔ Interchangeable; ≠ not interchangeable; ← new for old; → old for new

REF.No	Part No.	Description	Q'ty	S.No.	I/C	REMARKS	Weight (kgf)	Weight (lb)
010	76559-61110	ASSY SPRING LIFT	1				3.59	7.898
020	76559-71120	STAY	1				1.2	2.64
030	01133-51230	BOLT	2				0.04	0.088
040	01123-51025	BOLT	1				0.02	0.044
050	76544-61170	SPRING LIFT	2				0.95	2.09
060	76544-61190	HOOK SPRING	2				0.2	0.44
070	02174-50140	NUT	4				0.014	0.0308
080	76577-65212	ROD LIFT	2				0.348	0.7656
090	76577-65260	HOLDER LIFT ROD	2				0.23	0.506
100	02172-50160	NUT	2				0.017	0.0374
110	08511-02030	BUSH	2				0.02	0.044
120	04011-50200	WASHER PLAIN	2				0.015	0.033
130	05511-50530	PIN SPLIT	2				0.006	0.0132
140	05122-51240	PIN JOINT	4				0.039	0.0858
150	76559-62110	PLATE	4				0.05	0.11
160	05511-50425	PIN SPLIT	2				0.003	0.0066
170	76550-42190	RING SNAP	2				0.004	0.0088
180	05122-51260	PIN JOINT	1				0.055	0.121
190	04011-50120	WASHER PLAIN	1				0.005	0.011
200	05511-50425	PIN SPLIT	1				0.003	0.0066
210	76611-51583	STAY	1				0.35	0.77
220	01774-61020	BOLT FLANGE	2				0.022	0.0484
230	76611-47670	LABEL	1				0.001	0.0022
240	02118-50100	NUT	2				0.005	0.011



ACCESSORIES AND SERVICE PARTS

↔ Interchangeable; ≠ not interchangeable; ← new for old; → old for new

REF.No	Part No.	Description	Q'ty	S.No.	I/C	REMARKS	Weight (kgf)	Weight (lb)
010	76577-71112	MANUAL INSTRUCTION	1	<=10298		[A]	0	0
010	76577-71113	MANUAL INSTRUCTION	1	>=10299	←	[A]	0.09	0.198
020	76559-99010	KIT BLADE	1			REF.No.030	6.5	14.3
030	76544-99050	BLADE	3				2.14	4.708