

Instructions for Parts Books

The heading at the top of the page will be the same for the picture of the parts at it is for the page with the part numbers.

Definition of column headings on part number pages:

REF.No → The number referring to the part on the picture page of the parts book.

Part No. → The number assigned to this part at the time of printing the parts book.

Description → Discription of part.

Q'ty → Quantity of part used on that page.

S.No. → Serial number range of the equipment that this part will fit.

>= Your serial number should be greater than or equal to the number shown.

<= Your serial number should be lesser than or equal to the serial number shown.

I/C → Interchangeability of part shown.

↔ The part shown will work for the older and later serial number.

The part shown is not interchangeable with the other serial number.

← new for old

→ old for new

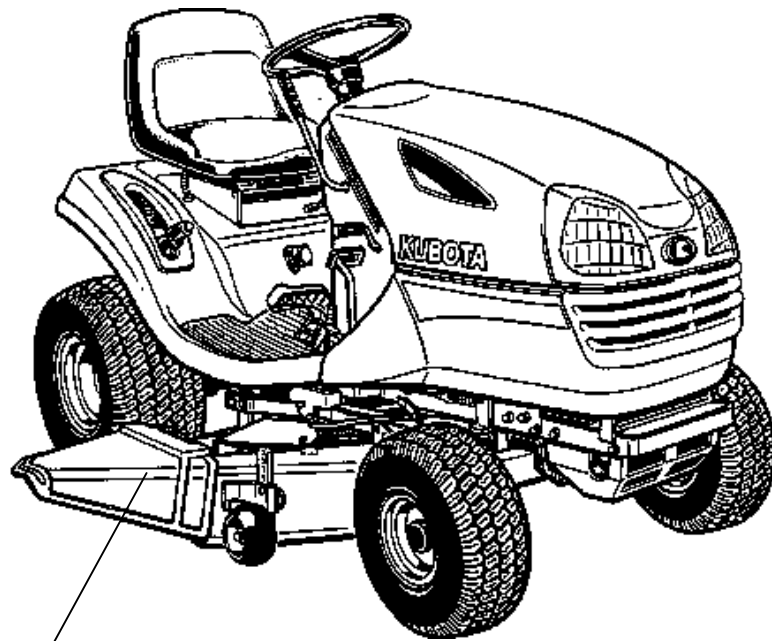
Remarks → Notes about this particulart part. Sometimes this may say except [FR] or [CA]

Note about Country Codes:

The parts books we use in the United States of America may also contain information about a part that would be different in another country. It is important that you are aware of the country codes in some instances.

Symbol	Country
A	United States of America
CA	Canada
FR	France
GR	Greece
PO	Portugal
AU	Australia

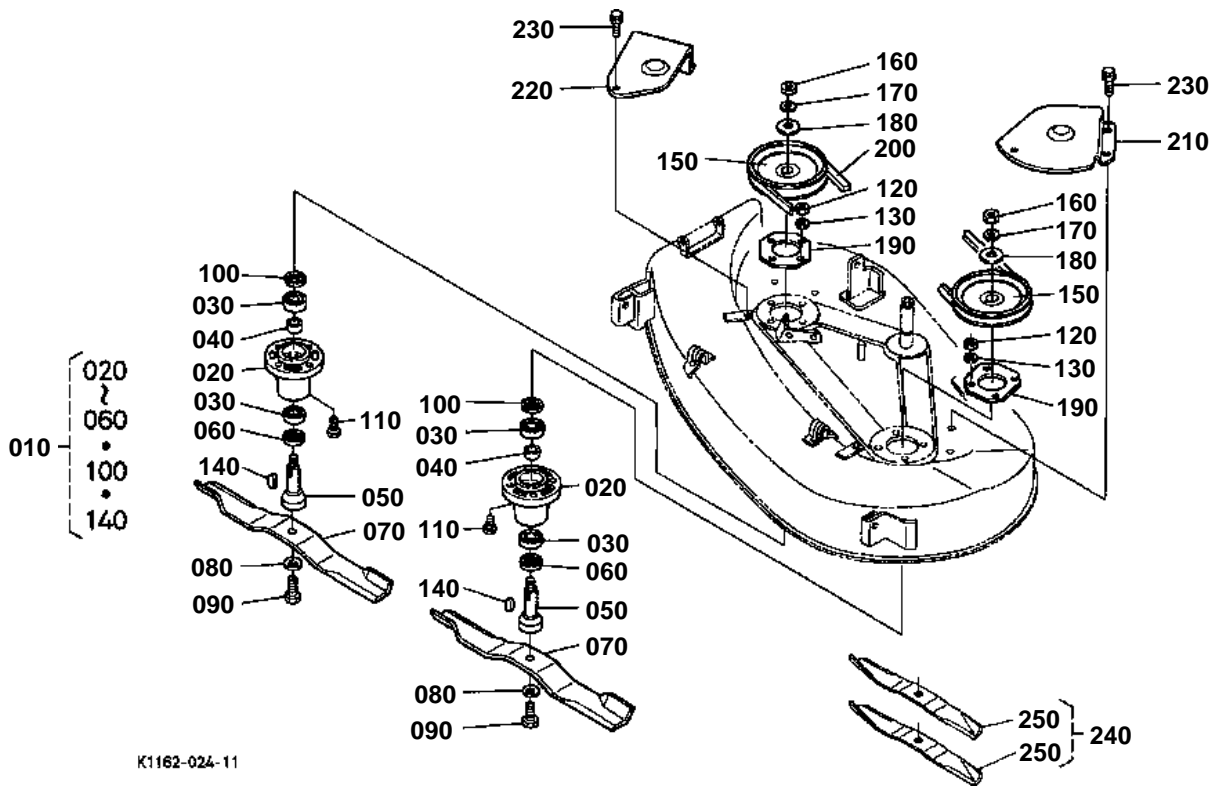
If the remarks column says for example EXCEPT [FR] this part works in all countries except France. That means it will work here in the USA.



MOWER

Item	Part No.	Description	Book
MOWER	04H100	TENSION PULLEY/MOWER BELT	100A0191
	04H20001	MOWER DECK AND COVER	100A0191
	04H300	GAUGE WHEEL	100A0191
	04H800	MOWER LABEL	100A0191

TENSION PULLEY/MOWER BELT



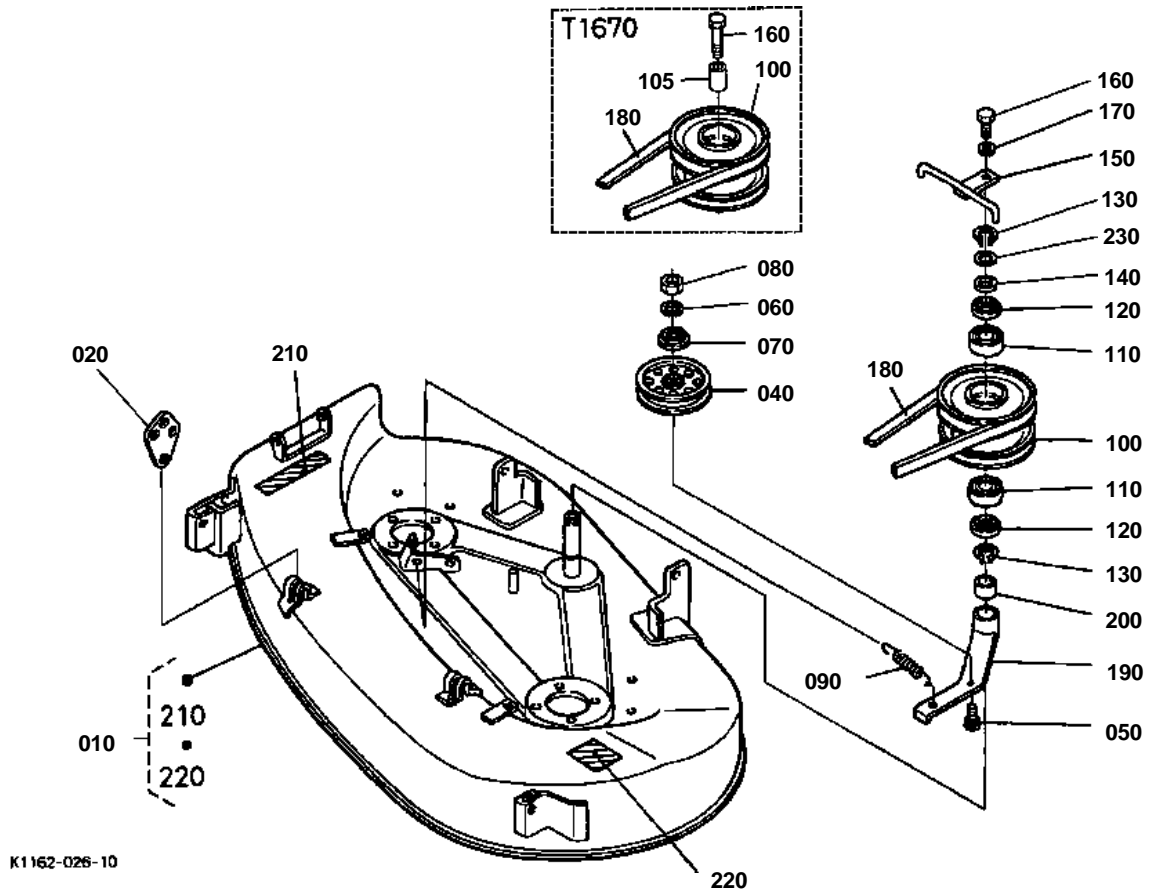
K1162-024-11

**TENSION PULLEY/MOWER BELT**

↔ Interchangeable; ≠ not interchangeable; ← new for old; → old for new

REF.No	Part No.	Description	Q'ty	S.No.	I/C	REMARKS	Weight (kgf)	Weight (lb)
010	K5112-97560	KIT HOLDER PULLEY	1				0	0
020	K5112-71210	HOLDER PULLEY	2				0.55	1.21
030	08141-06205	BEARING BALL	4				0.118	0.2596
040	K5112-71130	COLLAR	2				0.04	0.088
050	K5112-71220	SHAFT BLADE	2				0.56	1.232
060	76516-61563	COVER LOWER	2				0.02	0.044
070	K5111-71920	BLADE	2				0	0
080	K5112-71330	SPRING PLATE	2				0.04	0.088
090	01176-51230	BOLT BLADE	2				0.03	0.066
100	76516-61563	COVER LOWER	2				0.02	0.044
110	75599-04320	HEX.BOLT	8				0.02	0.044
120	75599-31023	NUT	8				0.006	0.0132
130	75599-33013	WASHER SPRING	8				0.01	0.022
140	05712-00720	KEY FEATHER	2				0.008	0.0176
150	K5112-71140	PULLEY BLADE	2				0.73	1.606
160	02074-50160	NUT	2				0.029	0.0638
170	04512-60160	WASHER SPRING	2				0.01	0.022
180	75599-32017	WASHER PLAIN	2				0	0
190	K5112-72810	PLATE HOLDER PULLEY	2				0.17	0.374
200	K5112-71410	BELT MOWER	1				0.32	0.704
210	K5112-72620	COVER BELT LH	1				0.57	1.254
220	K5112-72630	COVER BELT RH	1				0	0
230	01754-50816	BOLT FLANGE	6				0.011	0.0242
240	K5111-97520	KIT BLADE	1			STD	0	0
240	K5112-97520	KIT BLADE LOWSUCTION	1			LOW SUCTION	0	0
250	K5111-71920	BLADE	2			STD	0	0
250	K5112-71920	BLADE LOW SUCTION	2			LOW SECTION	1.52	3.344

MOWER DECK AND COVER



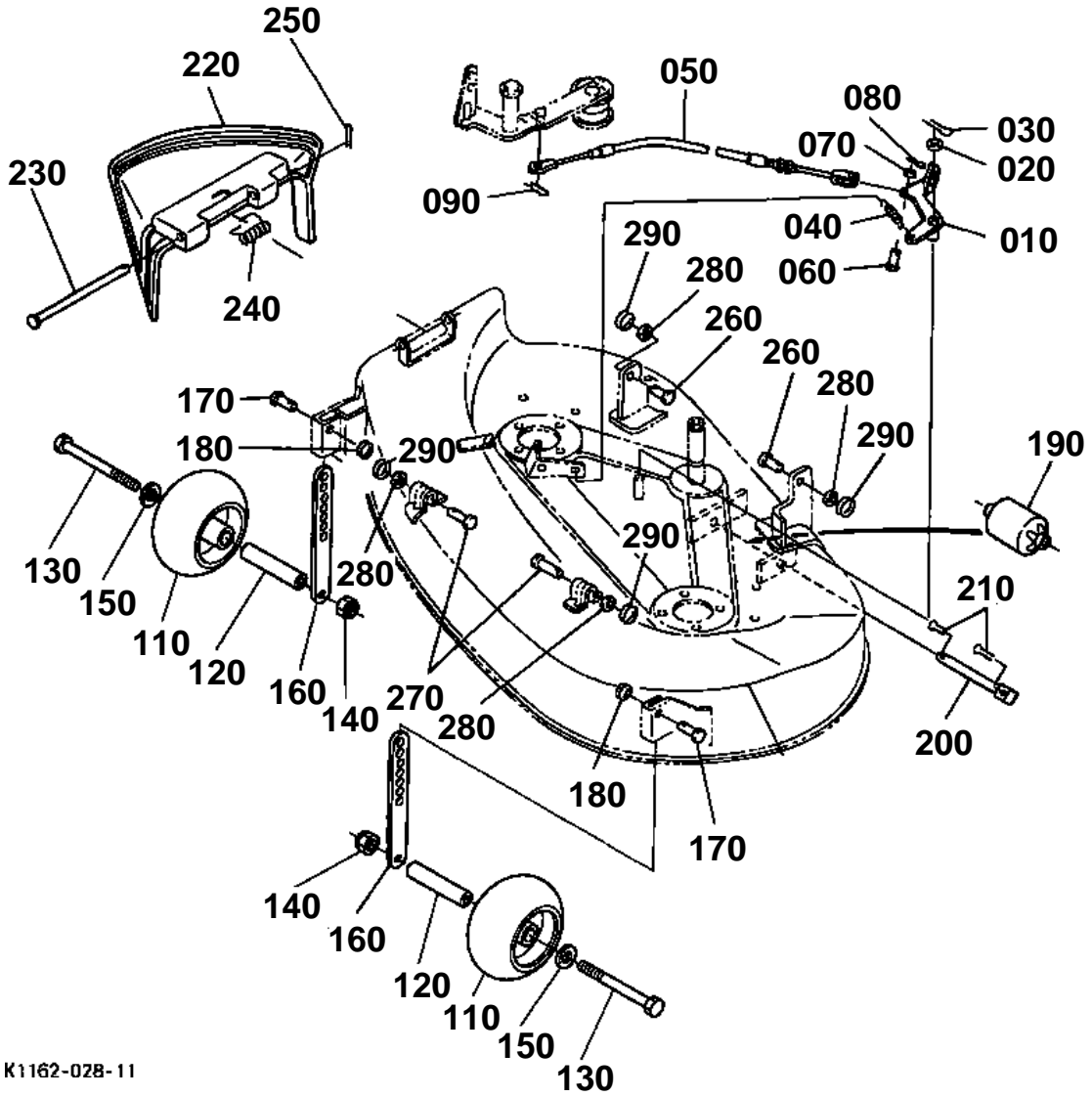


MOWER DECK AND COVER

↔ Interchangeable; ≠ not interchangeable; ← new for old; → old for new

REF.No	Part No.	Description	Q'ty	S.No.	I/C	REMARKS	Weight (kgf)	Weight (lb)
010	K5122-97120	KIT MOWER DECK	1				0	0
020	K1132-44352	LINK	2				0	0
030	99999-99999	BLANK	0				0	0
040	K5112-71650	PULLEY TENSION	1				0.53	1.166
050	0Y169-50628	BOLT SHORT SQU.NECK	1				0	0
060	75599-33013	WASHER SPRING	1				0.01	0.022
070	K5112-71660	COVER TENSION	1				0.018	0.0396
080	75599-31023	NUT	1				0.006	0.0132
090	K5112-72740	SPRING TENSION	1				0.12	0.264
100	K5121-71240	PULLEY	1				0	0
105	K5131-97650	SPACER	1			≤2002.05	0	0
105	K5131-97650	SPACER	1		←	≥2002.06	0	0
110	08141-06205	BEARING BALL	2				0.118	0.2596
120	76516-61563	COVER LOWER	2				0.02	0.044
130	04612-00250	CIR CLIP EXTERNAL	2				0.002	0.0044
140	K5112-71480	WASHER PLAIN	1				0.006	0.0132
150	K5112-71290	RETAINER BELT	1				0.13	0.286
160	01053-50845	BOLT	1				0.019	0.0418
170	75599-33012	WASHER SPRING	1				0.002	0.0044
180	K5112-51310	V-BELT	1				0.3	0.66
190	K5112-71550	ARM TENSION	1				0.42	0.924
200	08511-02530	BUSH	1				0.03	0.066
210	K5112-73110	LABEL DANGER	1				0	0
220	K5112-73120	LABEL DANGER	1				0	0
230	K5112-71460	WASHER PLAIN	1			0.38mm	0	0
230	K5112-71470	WASHER PLAIN	1			0.76mm	0	0

GAUGE WHEEL

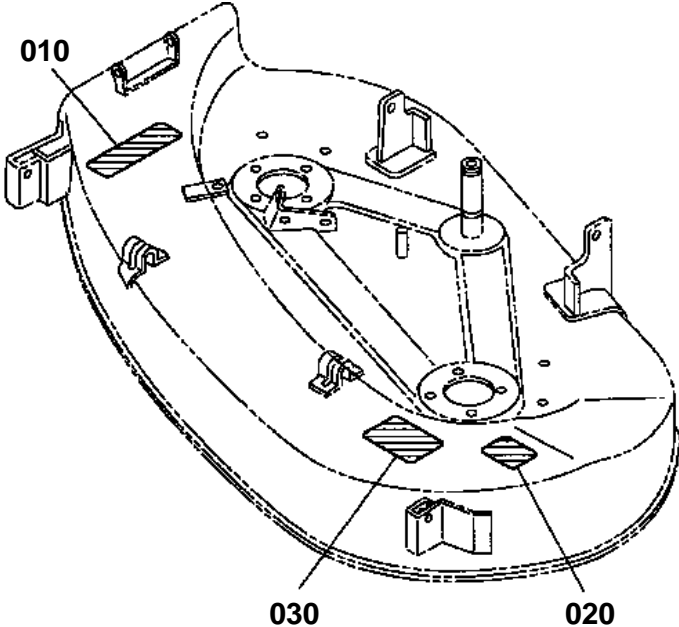


K1162-028-11

**GAUGE WHEEL**

↔ Interchangeable; ≠ not interchangeable; ← new for old; → old for new

REF.No	Part No.	Description	Q'ty	S.No.	I/C	REMARKS	Weight (kgf)	Weight (lb)
010	K5112-72230	ASSY BRAKE	1				0.2	0.44
020	75599-32013	WASHER PLAIN	1				0.03	0.066
030	75599-53152	PIN COTTER	1				0	0
040	K5112-72250	SPRING RETURN	1				0.017	0.0374
050	K5112-72240	WIRE BRAKE	1				0.1	0.22
060	75599-51112	PIN CLEVIS	1				0.005	0.011
070	75599-32010	WASHER PLAIN	1				0	0
080	75599-53152	PIN COTTER	1				0	0
090	75599-56002	HAIRPIN COTTER	1				0.001	0.0022
100	99999-99999	BLANK	0				0	0
110	K5182-72410	ROLLER ANTI-SCALP	2				0	0
120	K5182-72660	BOSS GAUGE WHEEL	2				0.06	0.132
130	01053-50890	BOLT	2				0.03	0.066
140	K5112-72840	NUT LOCK	2				0.005	0.011
150	K5112-72830	WASHER PLAIN	2				0.005	0.011
160	K5122-72680	PLATE GAUGE WHEEL	2				0	0
170	75599-51320	PIN CLEVIS	2				0.017	0.0374
180	K5112-72730	RING SNAP	2				0.01	0.022
190	K5112-72420	ROLLER ANTI-SCALP	1				0.15	0.33
200	K5112-72650	PIN GAUGE	1				0.3	0.66
210	75599-53173	PIN COTTER	2				0.002	0.0044
220	K5112-72110	COVER DISCHARGE	1				0.6	1.32
230	K5112-72120	PIN COVER	1				0.09	0.198
240	K5112-72130	SPRING COVER	1				0.05	0.11
250	75599-53152	PIN COTTER	1				0	0
260	75599-51525	PIN CLEVIS	2				0.2	0.44
270	75599-51535	PIN CLEVIS	2				0	0
280	75599-32015	WASHER PLAIN	4				0.01	0.022
290	K5112-72730	RING SNAP	4				0.01	0.022



K1162-030-10



MOWER LABEL

↔ Interchangeable; ≠ not interchangeable; ← new for old; → old for new

REF.No	Part No.	Description	Q'ty	S.No.	I/C	REMARKS	Weight (kgf)	Weight (lb)
010	K5112-73110	LABEL DANGER	1				0	0
020	K5112-73120	LABEL DANGER	1				0	0
030	K5221-73130	LABEL ANTI-SCALP	1				0	0