

Instructions for Parts Books

The heading at the top of the page will be the same for the picture of the parts as it is for the page with the part numbers.

Definition of column headings on part number pages:

REF.No → The number referring to the part on the picture page of the parts book.

Part No. → The number assigned to this part at the time of printing the parts book.

Description → Description of part.

Q'ty → Quantity of part used on that page.

S.No. → Serial number range of the equipment that this part will fit.

>= Your serial number should be greater than or equal to the number shown.

<= Your serial number should be lesser than or equal to the serial number shown.

I/C → Interchangeability of part shown.

↔ The part shown will work for the older and later serial number.

The part shown is not interchangeable with the other serial number.

← new for old

→ old for new

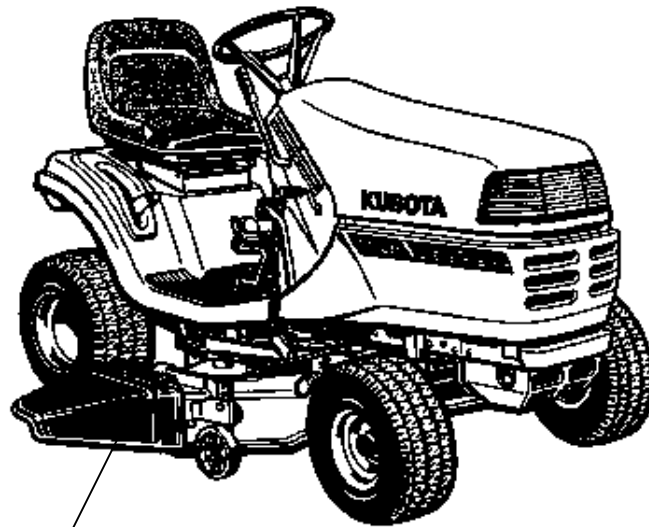
Remarks → Notes about this particular part. Sometimes this may say except [FR] or [CA]

Note about Country Codes:

The parts books we use in the United States of America may also contain information about a part that would be different in another country. It is important that you are aware of the country codes in some instances.

Symbol	Country
A	United States of America
CA	Canada
FR	France
GR	Greece
PO	Portugal
AU	Australia

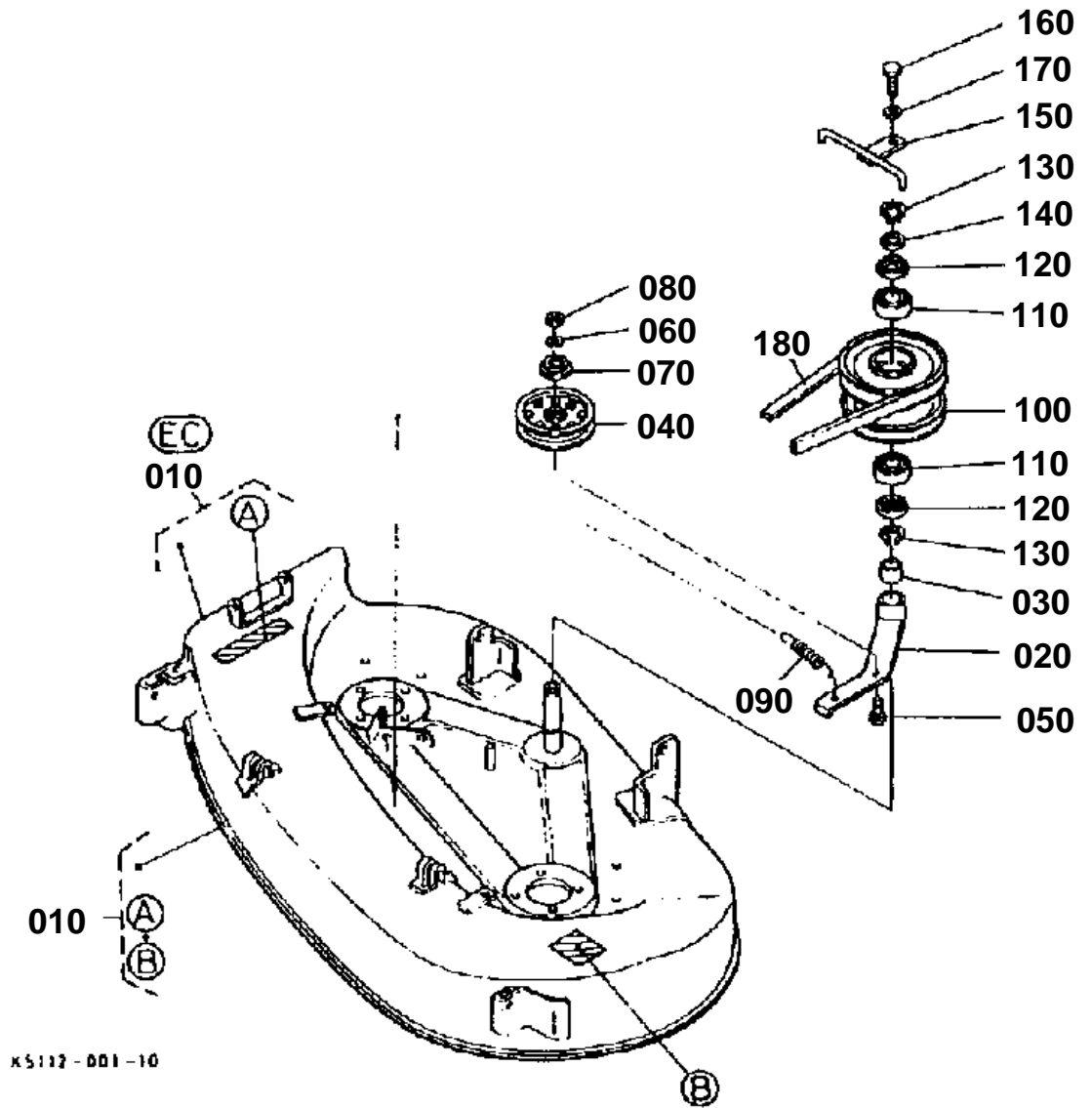
If the remarks column says for example EXCEPT [FR] this part works in all countries except France. That means it will work here in the USA.



MOWER

Item	Part No.	Description	Book
MOWER	01G034	MOWER DECK	100K0745
	01G035	BLADE/COVER	100K0745
	01G036	GAUGE WHEEL	100K0745

MOWER DECK

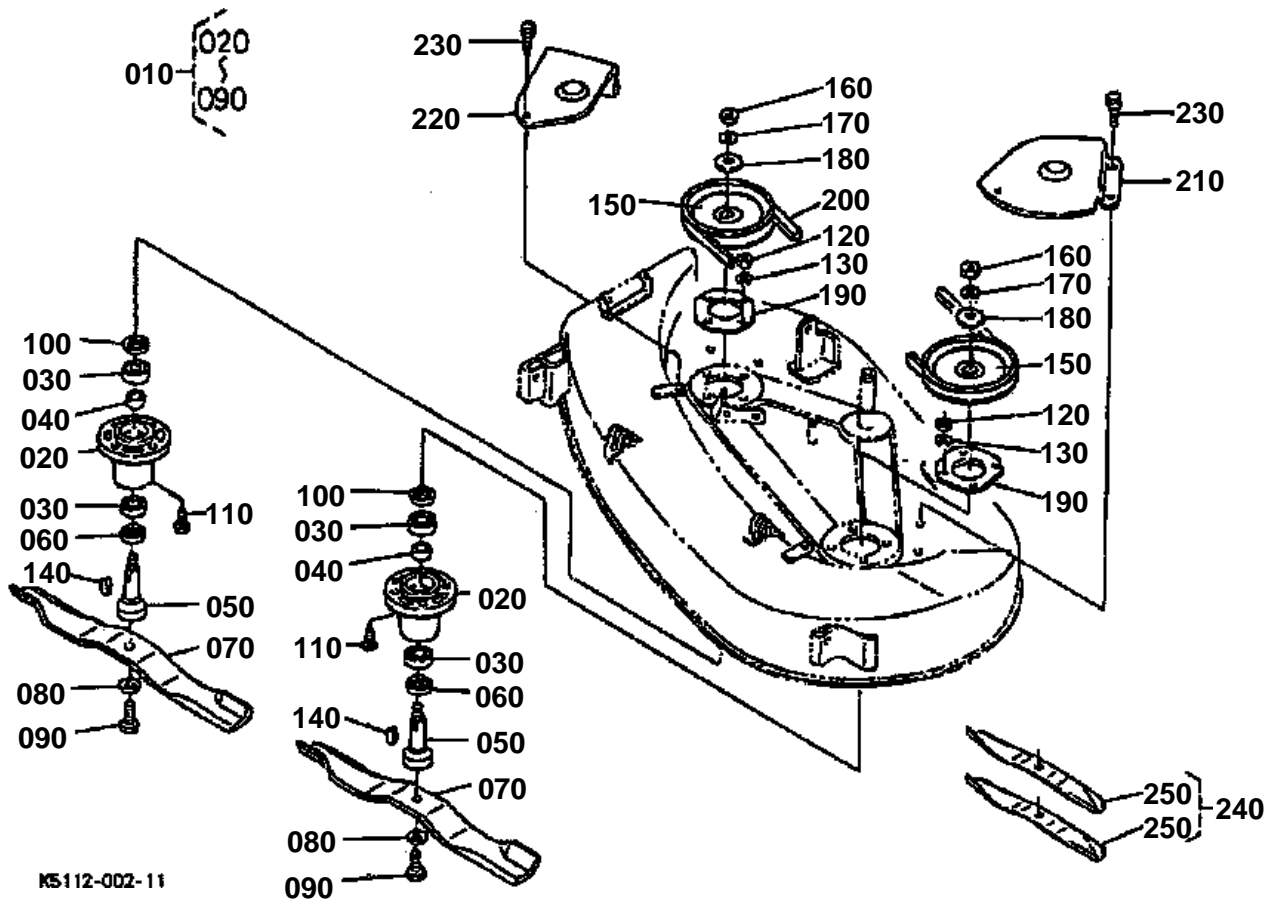


X5112 - 001 - 10

**MOWER DECK**

↔ Interchangeable; ≠ not interchangeable; ← new for old; → old for new

REF.No	Part No.	Description	Q'ty	S.No.	I/C	REMARKS	Weight (kgf)	Weight (lb)
010	K5122-97120	KIT MOWER DECK	1				52	114.4
010	K5113-97120	KIT MOWER DECK(EC)	1			[EC]	29	63.8
020	K5112-71552	ARM TENSION	1				0	0
030	08511-02530	BUSHING	1				0.03	0.066
040	K5112-71653	PULLEY TENSION	1			(4.0)	0	0
050	0Y169-50628	BOLT SHORT SQU.NECK	1			(3/8-24UNF)	0.032	0.0704
060	75599-33013	WASHER SPRING LOCK	1			(3/8)	0.006	0.0132
070	K5112-71662	COVER TENSION	1				0	0
080	75599-31023	HEX.NUT	1			(3/8-24UNF)	0.006	0.0132
090	K5112-72742	SPRING TENSION	1				0	0
100	K5112-71243	PULLEY	1			5-5-6.0	0	0
110	08141-06205	BEARING	2				0.118	0.2596
120	K5112-71282	COVER BEARING	2				0	0
130	04612-00250	CIRCLIP	2			(25)	0.002	0.0044
140	K5112-71480	WASHER PLAIN	1				0.006	0.0132
150	K5112-71290	RETAINER BELT	1				0.13	0.286
160	01053-50818	HEX.BOLT	1			(M8 X 1.25 X 18)	0.011	0.0242
170	75599-33012	WASHER SPRING LOCK	1			(5/16)	0.002	0.0044
180	K5112-51310	V-BELT 70	1				0.3	0.66

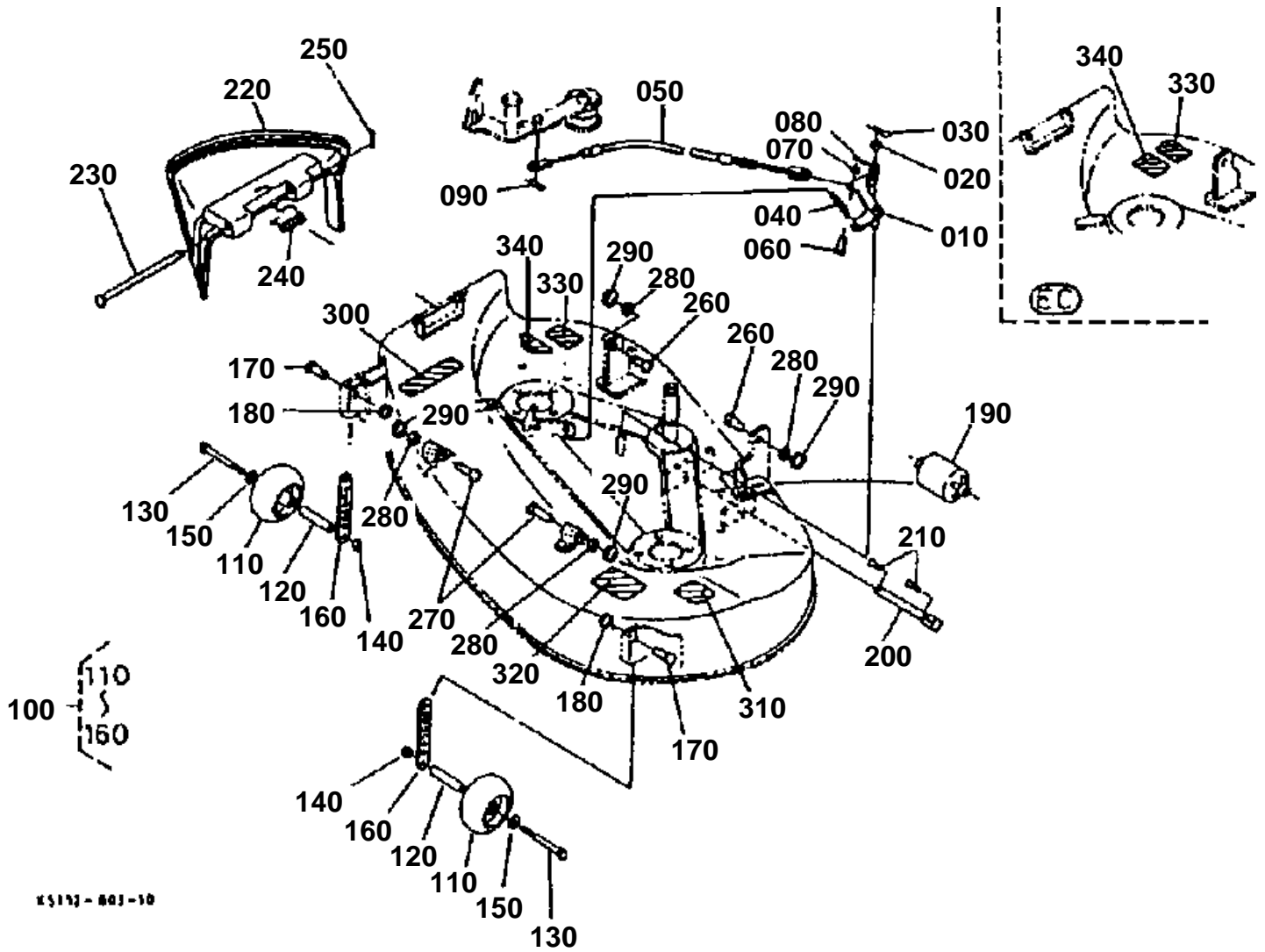


**BLADE/COVER**

↔ Interchangeable; ≠ not interchangeable; ← new for old; → old for new

REF.No	Part No.	Description	Q'ty	S.No.	I/C	REMARKS	Weight (kgf)	Weight (lb)
010	K5112-71510	ASSY HOLDER PULLEY	2				3.06	6.732
020	K5112-71210	HOLDER PULLEY	2				0.55	1.21
030	08141-06205	BEARING	4				0.118	0.2596
040	K5112-71130	COLLAR	2				0.04	0.088
050	K5112-71220	SHAFT BLADE	2				0.56	1.232
060	K5112-71280	COVER BEARING	2				0	0
060	76516-61563	COVER LOWER	2		↔		0.008	0.0176
070	K5112-71920	BLADE 40L	2				1.52	3.344
080	K5112-71330	SPRING PLATE	2				0.04	0.088
090	01176-51230	BOLT	2			(M12 X 1.25)	0.003	0.0066
100	K5112-71280	COVER BEARING	2				0	0
100	76516-61563	COVER LOWER	2		↔		0.008	0.0176
110	75599-04320	HEX.BOLT	8			(3/8-24UNF X 1)	0.02	0.044
120	75599-31023	HEX.NUT	8			(3/8-24UNF)	0.006	0.0132
130	75599-33013	WASHER SPRING LOCK	8			(3/8)	0.006	0.0132
140	05712-00720	KEY	2			(7 X 7 X 20)	0.008	0.0176
150	K5112-71140	PULLEY BLADE	2				0.73	1.606
160	02074-50160	HEX.NUT	2			(M16 X 1.5)	0.029	0.0638
170	75599-33017	WASHER SORING LOCK	2				0.005	0.011
180	75599-32017	WASHER PLAIN	2			(5/8)	0.014	0.0308
190	K5112-72810	PLATE HOLDER PULLEY	2				0.17	0.374
200	K5112-71410	BELT MOWER 69	1				0.32	0.704
210	K5112-72620	COVER L BELT	1				0.57	1.254
220	K5112-72630	COVER R BELT	1				0.46	1.012
230	01754-50816	BOLT FLANGE	6			(M8 X 1.25 X 16)	0.011	0.0242
240	K5112-97520	KIT BLADE LOW SUCTIO	1			STD	3.11	6.842
240	K5111-97520	KIT BLADE	1				3	6.6
250	K5112-71920	BLADE LOW SUCTION	2			STD	1.52	3.344
250	K5111-71920	BLADE	2				1.07	2.354

GAUGE WHEEL





GAUGE WHEEL

↔ Interchangeable; ≠ not interchangeable; ← new for old; → old for new

REF.No	Part No.	Description	Q'ty	S.No.	I/C	REMARKS	Weight (kgf)	Weight (lb)
010	K5112-72230	ASSY BRAKE	1				0.2	0.44
020	75599-32013	WASHER PLAIN	1			(3/8)	0.03	0.066
030	75599-53152	PIN COTTER	1			(3/32 X 3/4)	0.001	0.0022
040	K5112-72252	SPRING RETURN	1				0	0
050	K5112-72240	WIRE BRAKE	1				0.1	0.22
060	75599-51112	PIN CLEVIS	1			(1/4)	0.005	0.011
070	75599-32011	WASHER PLAIN	1			(1/4)	0.001	0.0022
080	75599-53152	PIN COTTER	1			(3/32 X 3/4)	0.001	0.0022
090	K5112-72723	HAIRPIN COTTER	1				0	0
100	K5172-72600	ASSY GAUGE WHEEL	2				0	0
110	K5182-72410	GAUGE WHEEL	2			5.0	0.46	1.012
120	K5182-72660	BOSS GAUGE WHEEL	2				0.06	0.132
130	01053-50890	HEX.BOLT	2			(M8 X 1.25 X 70)	0.03	0.066
140	K5112-72840	HEX.LOCKNUT	2			(M8 X 1.25)	0.005	0.011
150	K5112-72830	WASHER PLAIN	2			(5/16)	0.005	0.011
160	K5122-72680	PLATE GAUGE WHEEL	2				0.36	0.792
170	75599-51320	PIN CLEVIS	2			(3/8 X 1)	0.017	0.0374
180	K5112-72732	RING SNAP	2				0	0
190	K5112-72423	GAUGE WHEEL	1			2.5	0	0
200	K5112-72652	PIN GAUGE	1			2.5	0	0
210	75599-53173	PIN COTTER	2			(1/8 X 1)	0.002	0.0044
220	K5112-72112	COVER DISCHARGE	1				0	0
230	K5112-72120	PIN COVER	1				0.09	0.198
240	K5112-72130	SPRING COVER	1				0.05	0.11
250	75599-53152	PIN COTTRE	1			(3/32 X 3/4)	0.001	0.0022
260	75599-51525	PIN CLEVIS	2			(1/2 X 1-1/4)	0.2	0.44
270	75599-51535	PIN CLEVIS	2			(1/2 X 1-3/4)	0.048	0.1056
280	75599-32015	WASHER PLAIN	4			(1/2)	0.01	0.022
290	K5112-72732	RING SNAP	4				0	0
300	K5112-73112	LABEL DANGER 1	1				0	0
300	K5113-73110	LABEL DANGER	1			[EC]	0.003	0.0066
310	K5112-73122	LABEL DANGER 2	1			EXCEPT[EC]	0	0
320	K5221-73130	LABEL ANTI-SCALP	1				0.005	0.011
320	K5113-73130	LABEL ANTI-SCALP	1			[EC]	0.002	0.0044
330	K5122-73140	PLATE NAME	1				0	0
330	K5113-73140	PLATE NAME	1			[EC]	0	0
340	K5112-73153	LABEL OPEI	1				0	0
340	K5113-73160	LABEL LWA	1			[EC]	0	0