

Instructions for Parts Books

The heading at the top of the page will be the same for the picture of the parts as it is for the page with the part numbers.

Definition of column headings on part number pages:

REF.No → The number referring to the part on the picture page of the parts book.

Part No. → The number assigned to this part at the time of printing the parts book.

Description → Description of part.

Q'ty → Quantity of part used on that page.

S.No. → Serial number range of the equipment that this part will fit.

>= Your serial number should be greater than or equal to the number shown.

<= Your serial number should be lesser than or equal to the serial number shown.

I/C → Interchangeability of part shown.

↔ The part shown will work for the older and later serial number.

The part shown is not interchangeable with the other serial number.

← new for old

→ old for new

Remarks → Notes about this particular part. Sometimes this may say except [FR] or [CA]

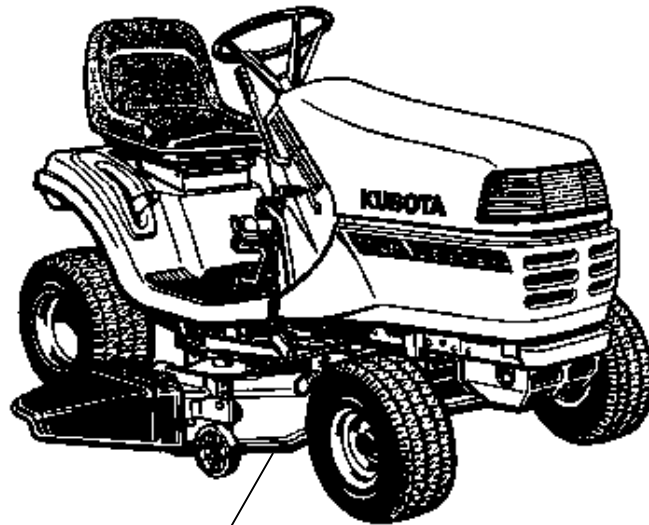
Note about Country Codes:

The parts books we use in the United States of America may also contain information about a part that would be different in another country. It is important that you are aware of the country codes in some instances.

Symbol	Country
A	United States of America
CA	Canada
FR	France
GR	Greece
PO	Portugal
AU	Australia

If the remarks column says for example EXCEPT [FR] this part works in all countries except France. That means it will work here in the USA.

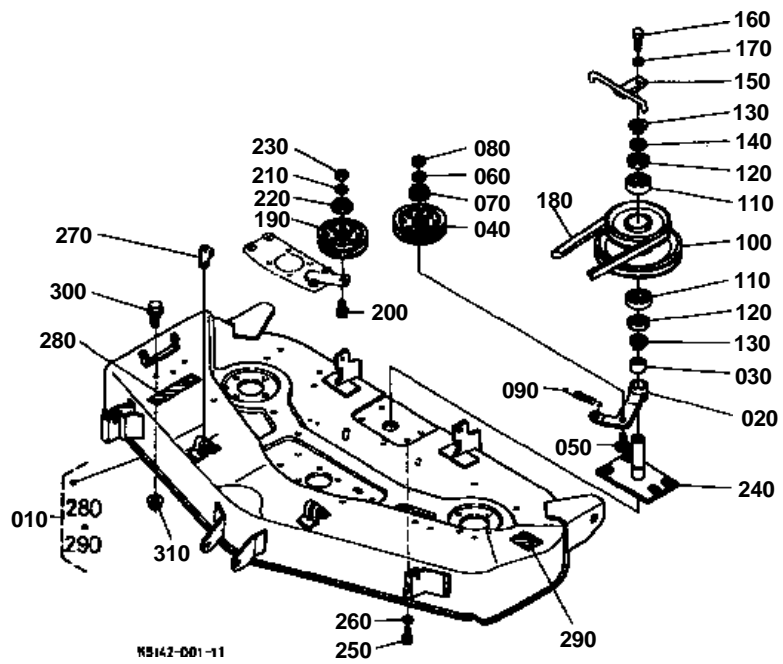
ALL PRODUCT INDEX
RCK44LT



MOWER

Item	Part No.	Description	Book
MOWER	01G001	MOWER DECK	100K0252
	01G002	BLADE/COVER	100K0252
	01G003	GAUGE WHEEL	100K0252

MOWER DECK

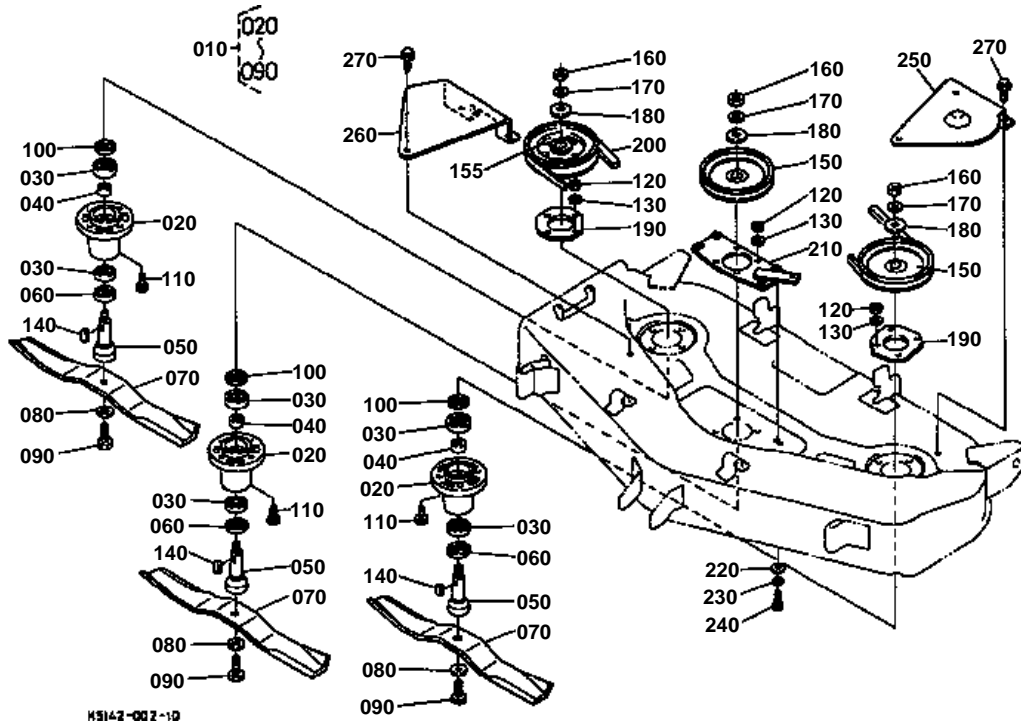


**MOWER DECK**

↔ Interchangeable; ≠ not interchangeable; ← new for old; → old for new

REF.No	Part No.	Description	Q'ty	S.No.	I/C	REMARKS	Weight (kgf)	Weight (lb)
010	K5142-97120	KIT MOWER DECK	1				0	0
020	K5142-71550	ARM TENSION	1				0	0
030	08511-02530	BUSHING	1				0.03	0.066
040	K5112-71650	PULLEY TENSION	1			(4.0)	0.53	1.166
050	0Y169-50628	BOLT SHORT SQU.NECX	1			(3/8-24UNF)	0	0
060	75599-33013	WASHER SPRING LOCK	1			(3/8)	0	0
070	K5112-71660	COVER TENSION	1				0.018	0.0396
080	75599-31023	HEX. NUT	1			(3/8-24UNF)	0.006	0.0132
090	K5142-72740	SPRING TENSION	1				0	0
100	K5142-71240	PULLEY	1			5.5-7.25	0	0
110	08141-06205	BEARING	2				0.118	0.2596
120	K5112-71280	COVER BEARING	2				0.004	0.0088
130	04612-00250	CIRCLIP	2			(25)	0.002	0.0044
140	K5112-71480	WASHER PLAIN	1				0.006	0.0132
150	K5112-71290	RETAINER BELT	1				0.13	0.286
160	01053-50818	HEX. BOLT	1			(M8 X 1.25 X 18)	0.011	0.0242
170	75599-33012	WASHER SPRING LOCK	1			(5/16)	0.002	0.0044
180	K5142-51310	V-BELT	1			71	0	0
190	K5112-71650	PULLEY TENSION	1			(4.0)	0.53	1.166
200	0Y169-50628	BOLT SHORT SQU.NECX	1			(3/8-24UNF)	0	0
210	75599-33013	WASHER SPRING LOCK	1			(3/8)	0	0
220	K5112-71660	COVER TENSION	1				0.018	0.0396
230	75599-31023	HEX. NUT	1			(3/8-24UNF)	0.006	0.0132
240	K5142-71710	BRACKET PULLEY	1				0	0
250	01053-50818	BOLT HEX	4			(M8 X 1.25 X 18L)	0.011	0.0242
260	75599-33012	WASHER SPRING LOCK	4			(5/16)	0.002	0.0044
270	K5142-44350	LINK 4	2				0	0
280	K5112-73110	LABEL DANGER 1	1				0	0
290	K5112-73120	LABEL DANGER 2	1				0	0
300	01754-50814	BOLT FLANGE	3				0.005	0.011
310	02751-50080	NUT FLANGE	3				0.006	0.0132
						>=30001		
						>=30001		

BLADE/COVER



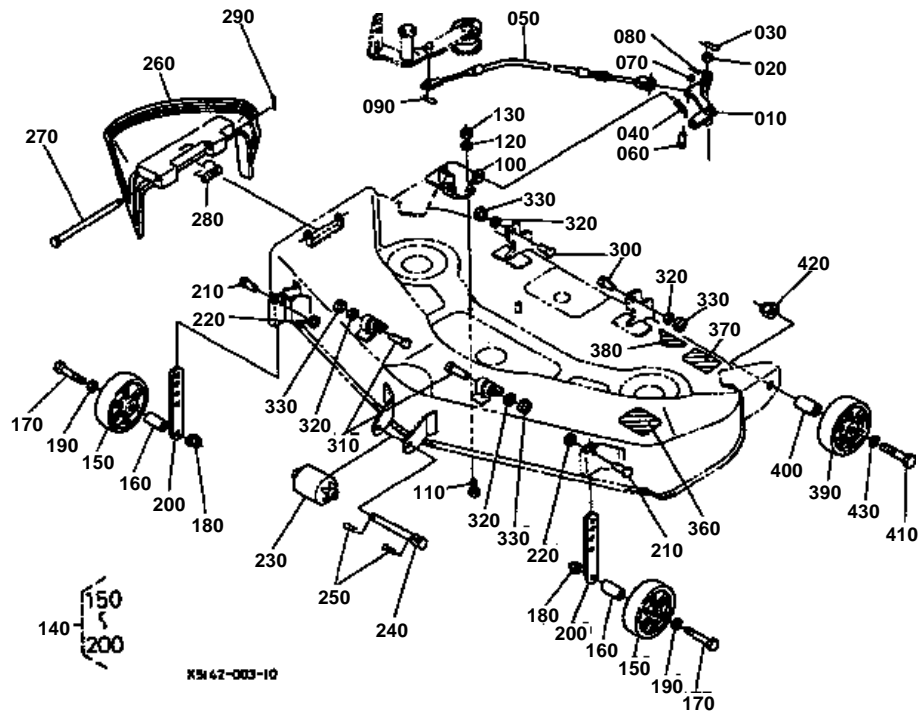


BLADE/COVER

↔ Interchangeable; ≠ not interchangeable; ← new for old; → old for new

REF.No	Part No.	Description	Q'ty	S.No.	I/C	REMARKS	Weight (kgf)	Weight (lb)
010	K5142-71150	ASSY HOLDER PULLEY	3				0	0
020	K5112-71210	HOLDER PULLEY	3				0.55	1.21
030	08141-06205	BEARING	6				0.118	0.2596
040	K5112-71130	COLLAR	3				0.04	0.088
050	K5112-71223	SHAFT BLADE	3				0	0
060	K5112-71280	COVER BEARING	3				0.004	0.0088
070	K5142-71920	BLADE	3			44L	0	0
080	K5112-71332	SPRING PLATE	3				0	0
090	K5112-71340	BOLT BLADE	3			(M12 X 1.25)	0.04	0.088
100	K5112-71280	COVER BEARING	3				0.004	0.0088
110	75599-04320	HEX. BOLT	12			(3/8-24UNF X 1)	0.02	0.044
120	75599-31023	HEX. NUT	12			(3/8-24UNF)	0.006	0.0132
130	75599-33013	WASHER SPRING LOCK	12			(3/8)	0	0
140	05712-00720	KEY	3			(7 X 7 X 20)	0.008	0.0176
150	K5112-71140	PULLEY BLADE	2				0.73	1.606
155	K5142-71140	PULLEY BLADE R.H.	1				0	0
160	02074-50160	HEX. NUT	3			(M16 X 1.5)	0.029	0.0638
170	75599-33017	WASHER SPRING LOCK	3				0	0
180	75599-32017	WASHER PLAIN	3			(5/8)	0	0
190	K5112-72810	PLATE HOLDER PULLEY	2				0.17	0.374
200	K5142-71410	BELT MOWER	1			94	0	0
210	K5142-72810	PLATE HOLDER PULLEY	1				0	0
220	04015-50100	WASHER PLAIN	4				0.016	0.0352
230	04512-50100	WASHER SPRING LOCK	4			(10)	0	0
240	01053-51020	BOLT HEX	4			(M10 X 1.5 X 20)	0.02	0.044
250	K5142-72620	COVER L BELT	1				0	0
260	K5142-72630	COVER R BELT	1				0	0
270	01754-50816	BOLT FLANGE	6			(M8 X 1.25 X 16)	0.011	0.0242

GAUGE WHEEL



**GAUGE WHEEL**

↔ Interchangeable; ≠ not interchangeable; ← new for old; → old for new

REF.No	Part No.	Description	Q'ty	S.No.	I/C	REMARKS	Weight (kgf)	Weight (lb)
010	K5142-72230	ASSY BRAKE	1				0	0
020	75599-32013	WASHER PLAIN	1			(3/8)	0.03	0.066
030	75599-53152	PIN COTTER	1			(3/32 X 3/4)	0	0
040	K5112-72250	SPRING RETURN	1				0.017	0.0374
050	K5112-72240	WIRE BRAKE	1				0.1	0.22
060	75599-51112	PIN CLEVIS	1			(1/4 X 5/8)	0.005	0.011
070	75599-32011	WASHER PLAIN	1			(1/4)	0.001	0.0022
080	75599-53152	PIN. COTTER	1			(3/32 X 3/4)	0	0
090	K5112-72723	HAIRPIN COTTER	1				0	0
090	75599-56002	HAIRPIN COTTER	1		←		0.001	0.0022
100	K5142-72410	COMP.STAY BRAKE WIRE	1				0	0
110	01173-51020	HEX BOLT	2			(M10 X 1.25 X 20)	0.017	0.0374
120	04512-50100	WASHER SPRING LOCK	2			(M10)	0	0
130	02176-50100	HEX NUT	2			(M10 X 1.25)	0.005	0.011
140	K5112-72600	ASSY GAUGE WHEEL	2				0.69	1.518
150	K5112-72410	GAUGE WHEEL	2			5.0	0.22	0.484
160	K5112-72660	BOSS GAUGE WHEEL	2				0.05	0.11
170	01053-50870	HEX. BOLT	2			(M8 X 1.25 X 70)	0.027	0.0594
180	K5112-72840	HEX. LOCKNUT	2			(M8 X 1.25)	0.005	0.011
190	K5112-72830	WASHER PLAIN	2			(5/16)	0.005	0.011
200	K5112-72680	PLATE GAUGE WHEEL	2				0.38	0.836
210	75599-51320	PIN CLEVIS	2			(3/8 X 1)	0.017	0.0374
220	K5112-72732	RING SNAP	2				0	0
230	K5112-72420	GAUGE WHEEL	1			2.5	0.15	0.33
240	K5112-72650	PIN GAUGE	1			2.5	0.3	0.66
250	75599-53173	PIN COTTER	2			(1/8 X 1)	0.002	0.0044
260	K5142-72110	COVER DISCHARGE	1				0	0
270	K5112-72120	PIN COVER	1				0.09	0.198
280	K5112-72130	SPRING COVER	1				0.05	0.11
290	75599-53152	PIN COTTER	1			(3/32 X 3/4)	0	0
300	75599-51525	PIN CLEVIS	2			(1/2 X 1-1/4)	0.2	0.44
310	75599-51535	PIN CLEVIS	2			(1/2 X 1-3/4)	0	0
320	75599-32015	WASHER PLAIN	4			(1/2)	0	0
330	K5112-72732	RING SNAP	4				0	0
330	K5142-72730	RING SNAP 2	4		←		0	0
340	99999-99999	BLANK	0				0	0
350	99999-99999	BLANK	0				0	0
360	K5112-73130	LABEL ANTI-SCALP	1				0	0
370	K5142-73140	PLATE NAME	1				0	0
380	K5112-73150	LABEL OPEI	1				0	0
390	K5112-72410	GAUGE WHEEL	2			5.0	0.22	0.484
400	K5112-72660	BOSS GAUGE WHEEL	2				0.05	0.11
410	01053-50870	HEX. BOLT	2			(M8 X 1.25 X 70)	0.027	0.0594
420	K5112-72840	HEX. LOCKNUT	2			(M8 X 1.25)	0.005	0.011
430	K5112-72830	WASHER PLAIN	2				0.005	0.011