

Instructions for Parts Books

The heading at the top of the page will be the same for the picture of the parts as it is for the page with the part numbers.

Definition of column headings on part number pages:

REF.No → The number referring to the part on the picture page of the parts book.

Part No. → The number assigned to this part at the time of printing the parts book.

Description → Description of part.

Q'ty → Quantity of part used on that page.

S.No. → Serial number range of the equipment that this part will fit.

>= Your serial number should be greater than or equal to the number shown.

<= Your serial number should be lesser than or equal to the serial number shown.

I/C → Interchangeability of part shown.

↔ The part shown will work for the older and later serial number.

The part shown is not interchangeable with the other serial number.

← new for old

→ old for new

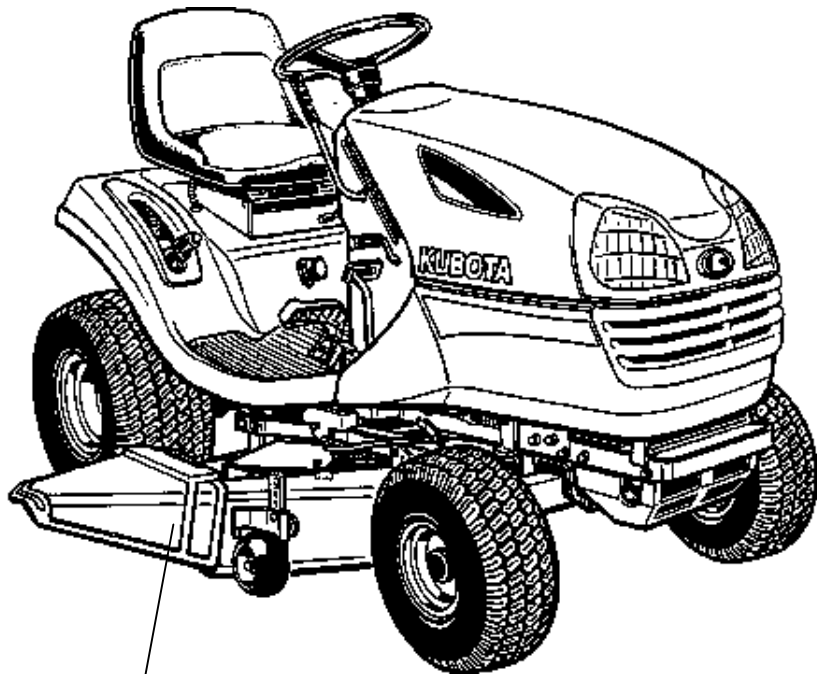
Remarks → Notes about this particular part. Sometimes this may say except [FR] or [CA]

Note about Country Codes:

The parts books we use in the United States of America may also contain information about a part that would be different in another country. It is important that you are aware of the country codes in some instances.

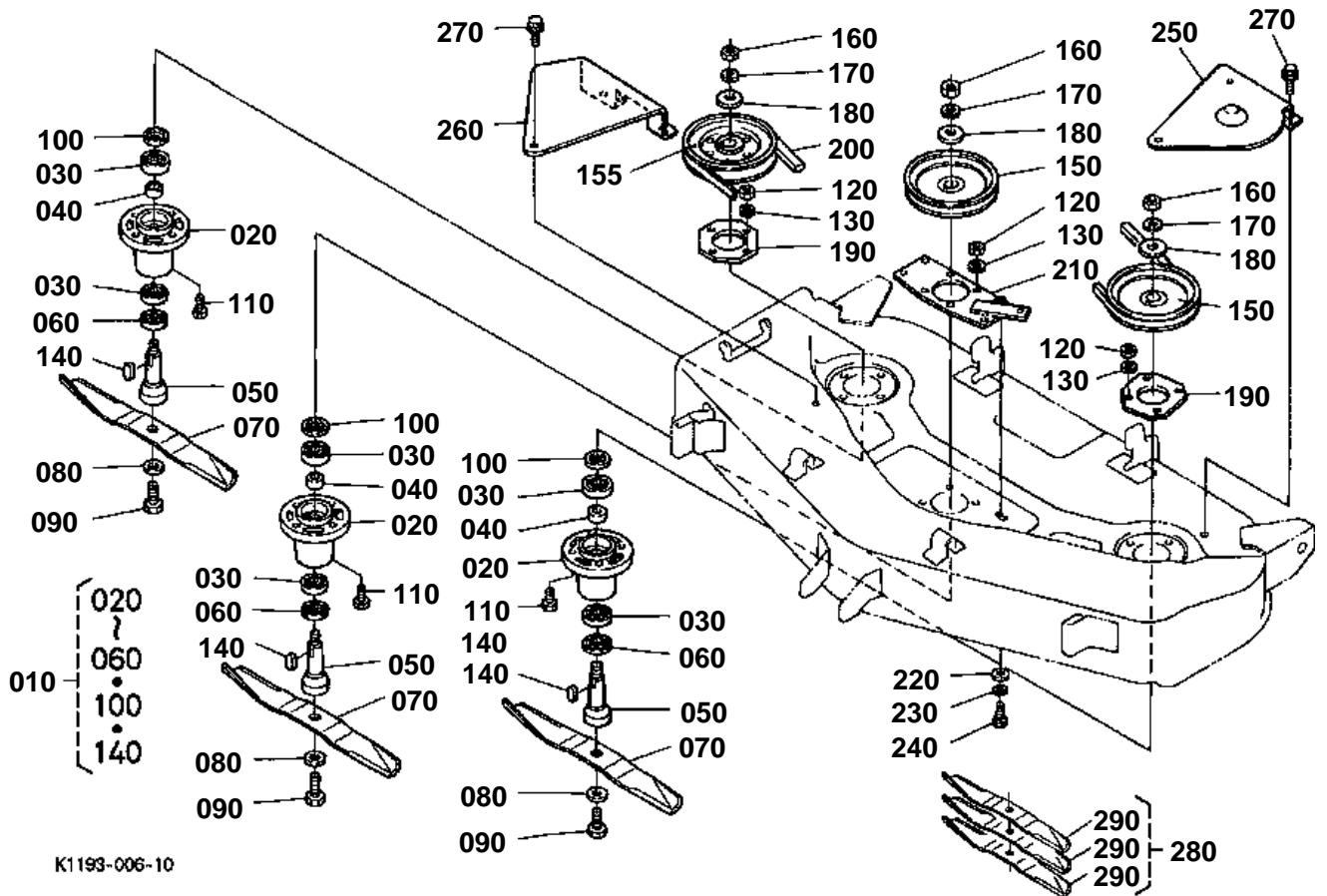
Symbol	Country
A	United States of America
CA	Canada
FR	France
GR	Greece
PO	Portugal
AU	Australia

If the remarks column says for example EXCEPT [FR] this part works in all countries except France. That means it will work here in the USA.



MOWER

Item	Part No.	Description	Book
MOWER	05J100	TENSION PULLEY/MOWER BELT	100A0194
	05J20001	MOWER DECK AND COVER	100A0194
	05J300	GAUGE WHEEL	100A0194
	05J800	MOWER LABEL	100A0194



K1193-006-10

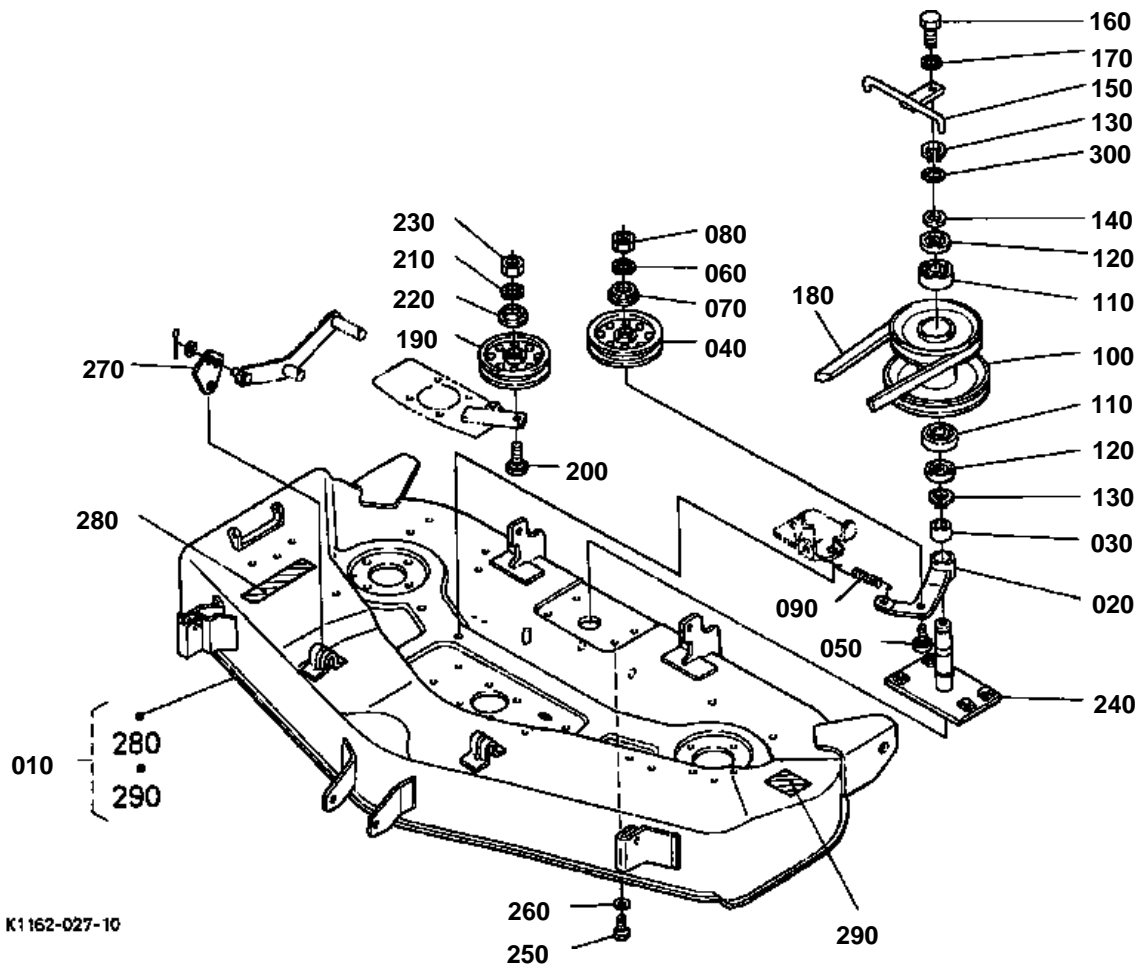


TENSION PULLEY/MOWER BELT

↔ Interchangeable; ≠ not interchangeable; ← new for old; → old for new

REF.No	Part No.	Description	Q'ty	S.No.	I/C	REMARKS	Weight (kgf)	Weight (lb)
020	K5112-71210	HOLDER PULLEY	3				0.55	1.21
030	08141-06205	BEARING BALL	6				0.118	0.2596
040	K5112-71130	COLLAR	3				0.04	0.088
050	K5112-71220	SHAFT BLADE	3				0.56	1.232
060	76516-61563	COVER LOWER	3				0.02	0.044
070	K5181-71920	BLADE	3				0	0
080	K5112-71330	SPRING PLATE	3				0.04	0.088
090	01176-51230	BOLT BLADE	3				0.03	0.066
100	76516-61563	COVER LOWER	3				0.02	0.044
110	75599-04320	HEX.BOLT	12				0.02	0.044
120	75599-31023	NUT	12				0.006	0.0132
130	75599-33013	WASHER SPRING	12				0.01	0.022
140	05712-00720	KEY FEATHER	3				0.008	0.0176
150	K5112-71140	PULLEY BLADE	2				0.73	1.606
155	K5142-71140	PULLEY BLADE RH	1				0	0
160	02074-50160	NUT	3				0.029	0.0638
170	04512-60160	WASHER SPRING	3				0.01	0.022
180	75599-32017	WASHER PLAIN	3				0	0
190	K5112-72810	PLATE HOLDER PULLEY	2				0.17	0.374
200	K5182-71410	BELT MOWER	1				0.5	1.1
210	K5142-72810	PLATE HOLDER PULLEY	1				0	0
220	04015-50100	WASHER PLAIN	1				0.016	0.0352
230	04512-60100	WASHER SPRING	1				0.002	0.0044
240	01053-51020	BOLT	1				0.02	0.044
250	K5142-72620	COVER BELT LH	1				0	0
260	K5142-72630	COVER BELT RH	1				0	0
270	01754-50816	BOLT FLANGE	6				0.011	0.0242
280	K5181-97520	KIT BLADE	1			STD	0	0
280	K5182-97520	KIT BLADE	1			LOW SUCTION	0	0
290	K5181-71920	BLADE	3			STD	0	0
290	K5182-71820	BLADE 48L(Low LIFT)	3			LOW SUCTION	0	0

MOWER DECK AND COVER

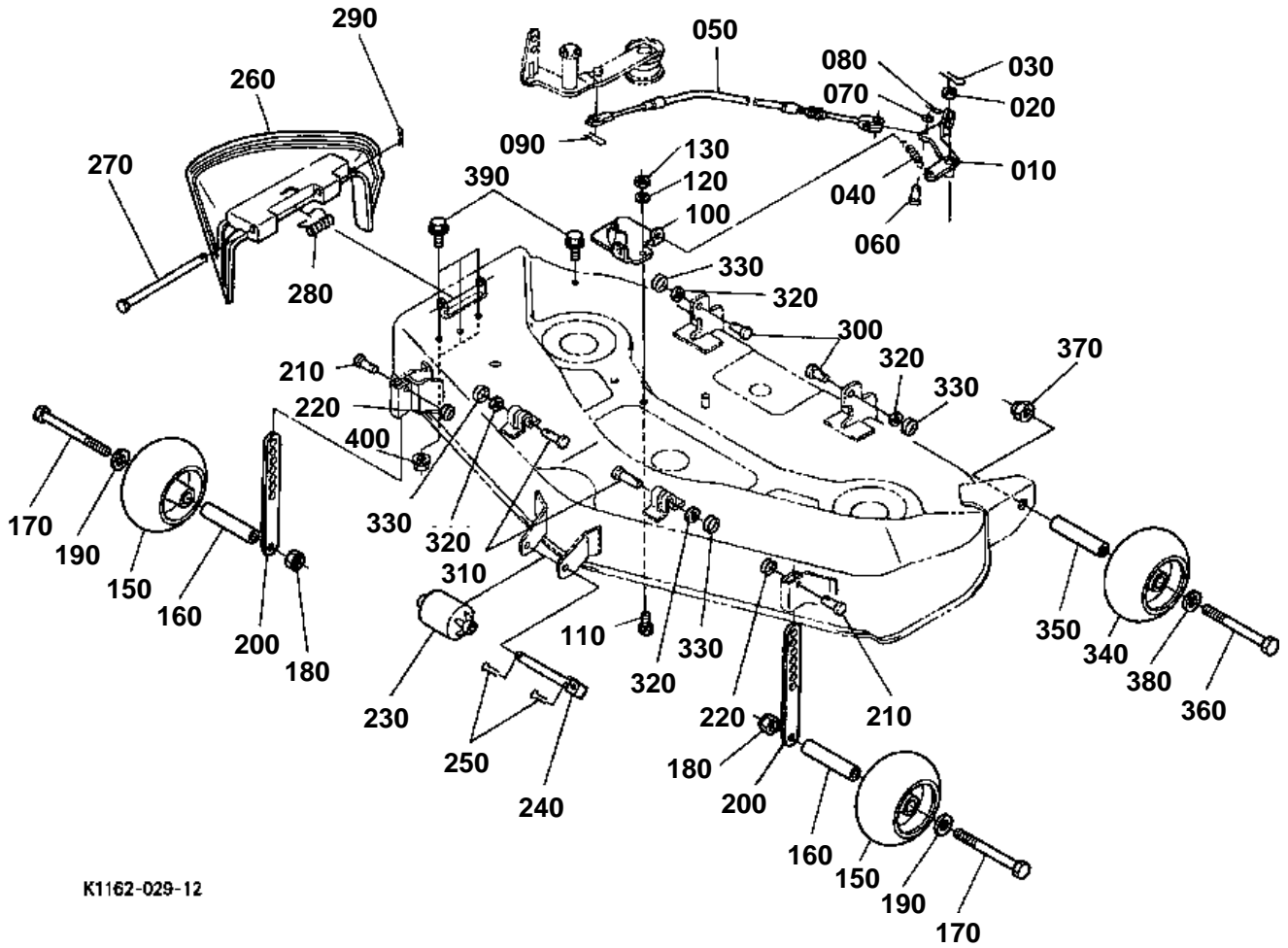


**MOWER DECK AND COVER**

↔ Interchangeable; ≠ not interchangeable; ← new for old; → old for new

REF.No	Part No.	Description	Q'ty	S.No.	I/C	REMARKS	Weight (kgf)	Weight (lb)
010	K5182-97120	KIT MOWER DECK	1	<=11249		WITHOUT EC	0	0
010	K5192-97120	KIT MOWER DECK	1	>=11250	≠	WITHOUT EC	0	0
010	K5183-97120	KIT MOWER DECK(EC)	1			EC	0	0
020	K5142-71550	ARM TENSION	1				0	0
030	08511-02530	BUSH	1				0.03	0.066
040	K5112-71650	PULLEY TENSION	1				0.53	1.166
050	0Y169-50628	BOLT SHORT SQU.NECK	1				0	0
060	75599-33013	WASHER SPRING	1				0.01	0.022
070	K5112-71660	COVER TENSION	1				0.018	0.0396
080	75599-31023	NUT	1				0.006	0.0132
090	K5142-72740	SPRING TENSION	1				0	0
100	K5182-71240	PULLEY	1				0	0
110	08141-06205	BEARING BALL	2				0.118	0.2596
120	76516-61563	COVER LOWER	2				0.02	0.044
130	04612-00250	CIR CLIP EXTERNAL	2				0.002	0.0044
140	K5112-71480	WASHER PLAIN	1				0.006	0.0132
150	K5112-71290	RETAINER BELT	1				0.13	0.286
160	01053-50818	BOLT	1				0.011	0.0242
170	75599-33012	WASHER SPRING	1				0.002	0.0044
180	K5182-51310	V-BELT	1				0.3	0.66
190	K5112-71650	PULLEY TENSION	1				0.53	1.166
200	0Y169-50628	BOLT SHORT SQU.NECK	1				0	0
210	75599-33013	WASHER SPRING	1				0.01	0.022
220	K5112-71660	COVER TENSION	1				0.018	0.0396
230	75599-31023	NUT	1				0.006	0.0132
240	K5182-71710	BRACKET PULLEY	1				0	0
250	01053-50818	BOLT	4				0.011	0.0242
260	75599-33012	WASHER SPRING	4				0.002	0.0044
270	K5182-44350	LINK	2				0	0
280	K5112-73110	LABEL DANGER	1			WITHOUT EC	0	0
280	K5652-41780	LABEL WARNING	1			EC	0	0
290	K5112-73120	LABEL DANGER	1			WITHOUT EC	0	0
290	K5410-73110	LABEL WARNING	1			EC	0.003	0.0066
300	K5112-71460	WASHER PLAIN	1			0.38mm	0	0
300	K5112-71470	WASHER PLAIN	1			0.76mm	0	0

GAUGE WHEEL

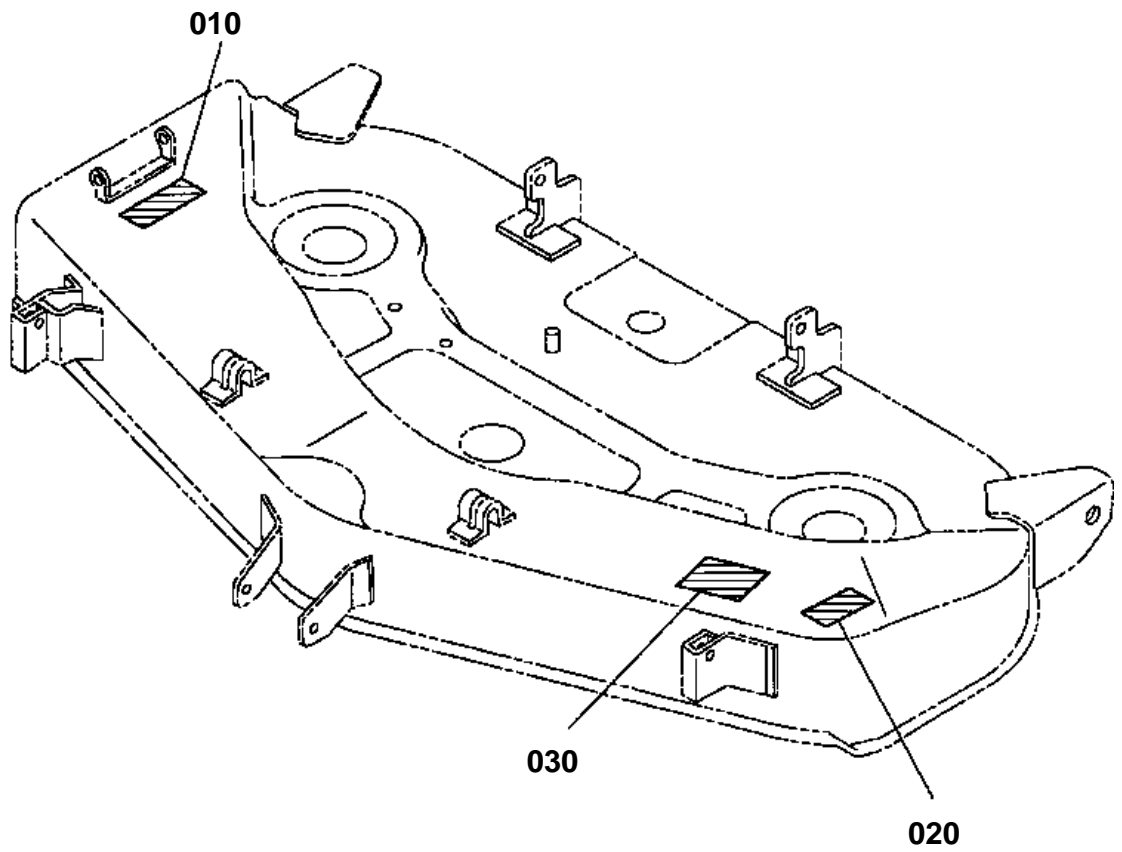


K1162-029-12

**GAUGE WHEEL**

↔ Interchangeable; ≠ not interchangeable; ← new for old; → old for new

REF.No	Part No.	Description	Q'ty	S.No.	I/C	REMARKS	Weight (kgf)	Weight (lb)
010	K5142-72230	ASSY BRAKE	1				0	0
020	75599-32013	WASHER PLAIN	1				0.03	0.066
030	75599-53152	PIN COTTER	1				0	0
040	K5112-72250	SPRING RETURN	1				0.017	0.0374
050	K5112-72240	WIRE BRAKE	1				0.1	0.22
060	75599-51112	PIN CLEVIS	1				0.005	0.011
070	75599-32010	WASHER PLAIN	1				0	0
080	75599-53152	PIN COTTER	1				0	0
090	75599-56002	HAIRPIN COTTER	1				0.001	0.0022
100	K5142-72410	COMP.STAY BRAKE WIRE	1				0	0
110	01053-51020	BOLT	2				0.02	0.044
120	04512-60100	WASHER SPRING	2				0.002	0.0044
130	02014-50100	NUT	2				0.011	0.0242
140	99999-99999	BLANK	0				0	0
150	K5182-72410	ROLLER ANTI-SCALP	2				0	0
160	K5182-72660	BOSS GAUGE WHEEL	2				0.06	0.132
170	01053-50890	BOLT	2				0.03	0.066
180	K5112-72840	NUT LOCK	2				0.005	0.011
190	K5112-72830	WASHER PLAIN	2				0.005	0.011
200	K5122-72680	PLATE GAUGE WHEEL	2				0	0
210	75599-51320	PIN CLEVIS	2				0.017	0.0374
220	K5112-72730	RING SNAP	2				0.01	0.022
230	K5112-72420	ROLLER ANTI-SCALP	1				0.15	0.33
240	K5112-72650	PIN GAUGE	1				0.3	0.66
250	75599-53173	PIN COTTER	2				0.002	0.0044
260	K5182-72110	DISCHARGE COVER	1				0.72	1.584
270	K5112-72120	PIN COVER	1				0.09	0.198
280	K5112-72130	SPRING COVER	1				0.05	0.11
290	75599-53152	PIN COTTER	1				0	0
300	75599-51525	PIN CLEVIS	2				0.2	0.44
310	75599-51535	PIN CLEVIS	2				0	0
320	75599-32015	WASHER PLAIN	4				0.01	0.022
330	K5142-72730	RING SNAP	4				0	0
340	K5182-72410	ROLLER ANTI-SCALP	2				0	0
350	K5182-72660	BOSS GAUGE WHEEL	2				0.06	0.132
360	01053-50890	BOLT	2				0.03	0.066
370	K5112-72840	NUT LOCK	2				0.005	0.011
380	K5112-72830	WASHER PLAIN	2				0.005	0.011
390	01754-50814	BOLT FLANGE	4				0.005	0.011
400	02751-50080	NUT FLANGE	3				0.006	0.0132



K1162-031-10

**MOWER LABEL**

↔ Interchangeable; ≠ not interchangeable; ← new for old; → old for new

REF.No	Part No.	Description	Q'ty	S.No.	I/C	REMARKS	Weight (kgf)	Weight (lb)
010	K5112-73110	LABEL DANGER	1			WITHOUT EC	0	0
010	K5652-41780	LABEL WARNING	1			EC	0	0
020	K5112-73120	LABEL DANGER	1			WITHOUT EC	0	0
020	K5410-73110	LABEL WARNING	1			EC	0.003	0.0066
030	K5221-73130	LABEL ANTI-SCALP	1			WITHOUT EC	0	0
030	K5223-73130	LABEL ANTI-SCALP	1			EC	0	0