

# Instructions for Parts Books

The heading at the top of the page will be the same for the picture of the parts as it is for the page with the part numbers.

Definition of column headings on part number pages:

**REF.No** → The number referring to the part on the picture page of the parts book.

**Part No.** → The number assigned to this part at the time of printing the parts book.

**Description** → Description of part.

**Q'ty** → Quantity of part used on that page.

**S.No.** → Serial number range of the equipment that this part will fit.

>= Your serial number should be greater than or equal to the number shown.

<= Your serial number should be lesser than or equal to the serial number shown.

**I/C** → Interchangeability of part shown.

↔ The part shown will work for the older and later serial number.

# The part shown is not interchangeable with the other serial number.

← new for old

→ old for new

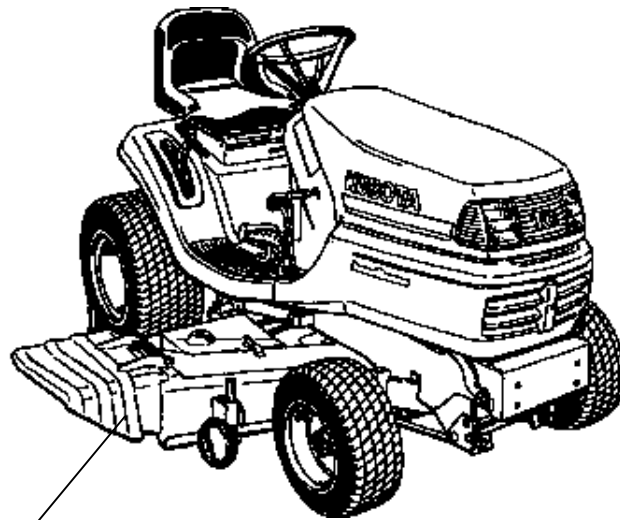
**Remarks** → Notes about this particular part. Sometimes this may say except [FR] or [CA]

## Note about Country Codes:

The parts books we use in the United States of America may also contain information about a part that would be different in another country. It is important that you are aware of the country codes in some instances.

Symbol	Country
A	United States of America
CA	Canada
FR	France
GR	Greece
PO	Portugal
AU	Australia

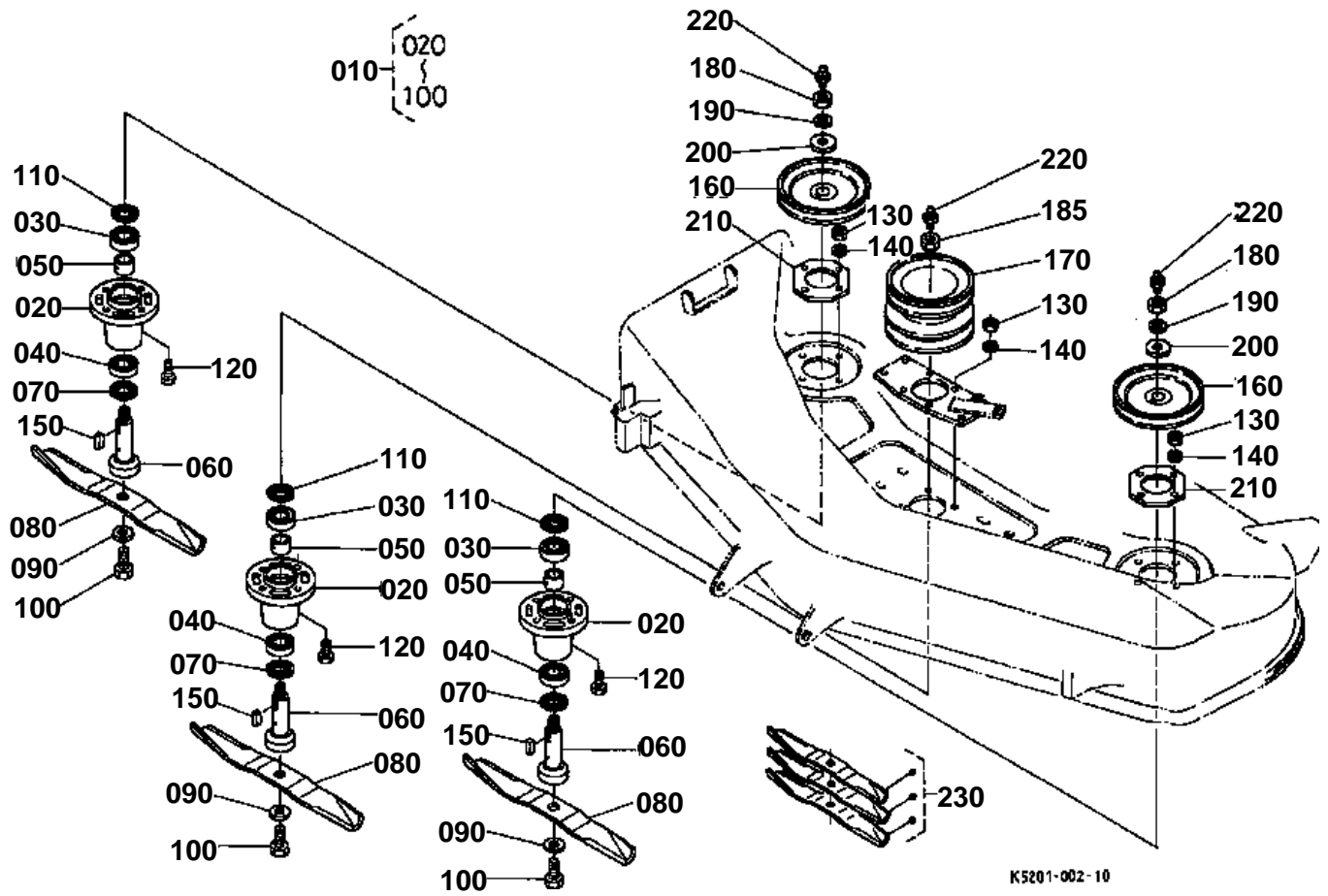
If the remarks column says for example EXCEPT [FR] this part works in all countries except France. That means it will work here in the USA.



**MOWER**

Item	Part No.	Description	Book
MOWER	04H050	BLADE/COVER	100A0170
	04H100	TENSION ARM	100A0170
	04H200	MOWER DECK AND COVER	100A0170
	04H300	GAUGE WHEEL	100A0170
	04H500	FRONT LINK LEVER	100A0170
	04H800	MOWER LABEL	100A0170

BLADE/COVER

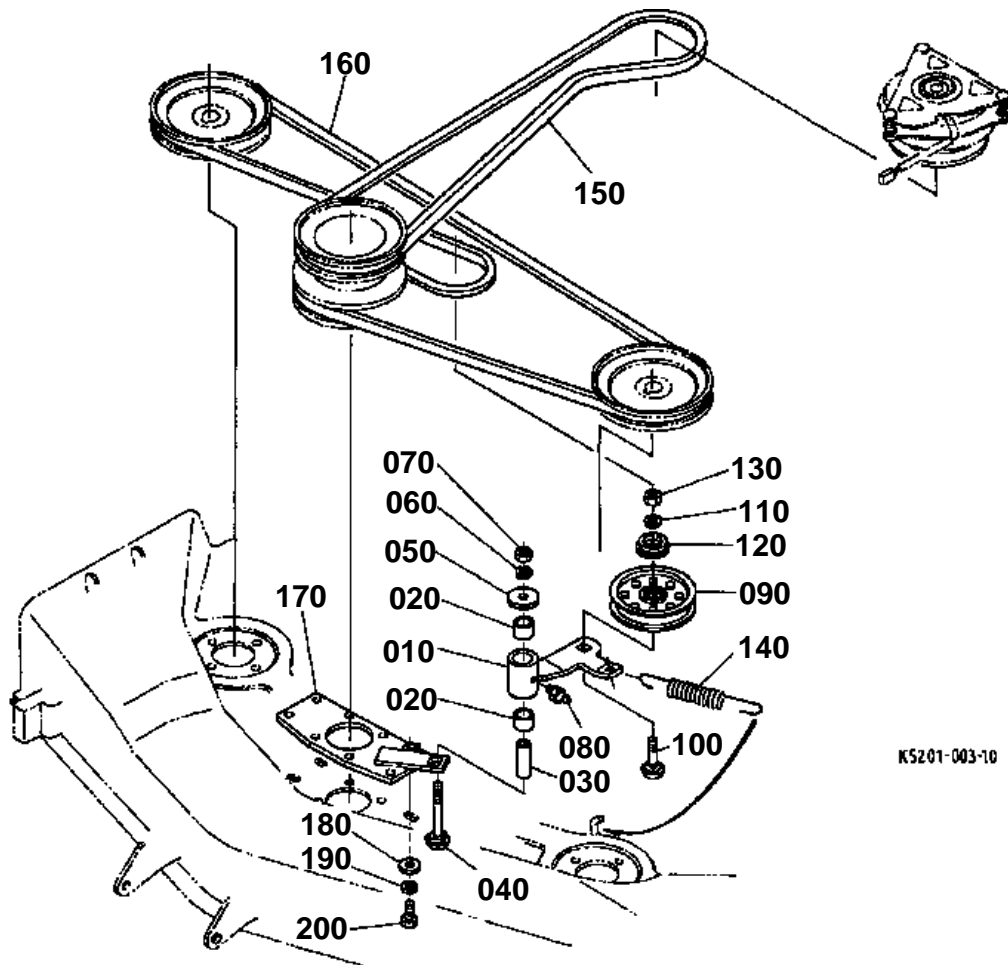


**BLADE/COVER**

↔ Interchangeable; ≠ not interchangeable; ← new for old; → old for new

REF.No	Part No.	Description	Q'ty	S.No.	I/C	REMARKS	Weight (kgf)	Weight (lb)
010	K5201-71150	ASSY HOLDER PULLEY	3				0	0
020	K5112-71210	HOLDER PULLEY	3				0.55	1.21
030	08141-06205	BEARING BALL	3				0.118	0.2596
040	08111-06205	BEARING BALL	3				0.13	0.286
050	K5201-71130	COLLAR	3				0	0
060	K5201-71220	SHAFT BLADE	3				0	0
070	76516-61563	COVER BEARING	3			≤2002.2	0.02	0.044
070	76516-61563	COVER	3		↔	≥2002.3	0.02	0.044
080	K5182-71820	BLADE 48L(Low LIFT)	3				0	0
090	K5112-71330	SPRING PLATE	3				0.04	0.088
100	01176-51230	BOLT BLADE	3				0.03	0.066
110	76516-61563	COVER BEARING	3			≤2002.2	0.02	0.044
110	76516-61563	COVER	3		↔	≥2002.3	0.02	0.044
120	75599-04320	HEX.BOLT	12				0.02	0.044
130	75599-31023	NUT	12				0.006	0.0132
140	75599-33013	WASHER SPRING	12				0.01	0.022
150	05712-00720	KEY FEATHER	3				0.008	0.0176
160	K5201-71140	PULLEY BLADE	2				0	0
170	K5201-71240	PULLEY BLADE CENTER	1				0	0
180	02074-50160	NUT	2				0.029	0.0638
185	K5201-71250	NUT CONICAL	1				0	0
190	75599-33017	WASHER SPRING	2	≤10226			0	0
190	04512-60160	WASHER SPRING	2	≥20001	←		0.01	0.022
200	K5651-34560	WASHER PLAIN	2				0.024	0.0528
210	K5112-72810	PLATE HOLDER PULLEY	2				0.17	0.374
220	K1122-15150	NIPPLE GREASE	3				0.002	0.0044
230	K5182-97520	KIT BLADE	1				0	0

# TENSION ARM



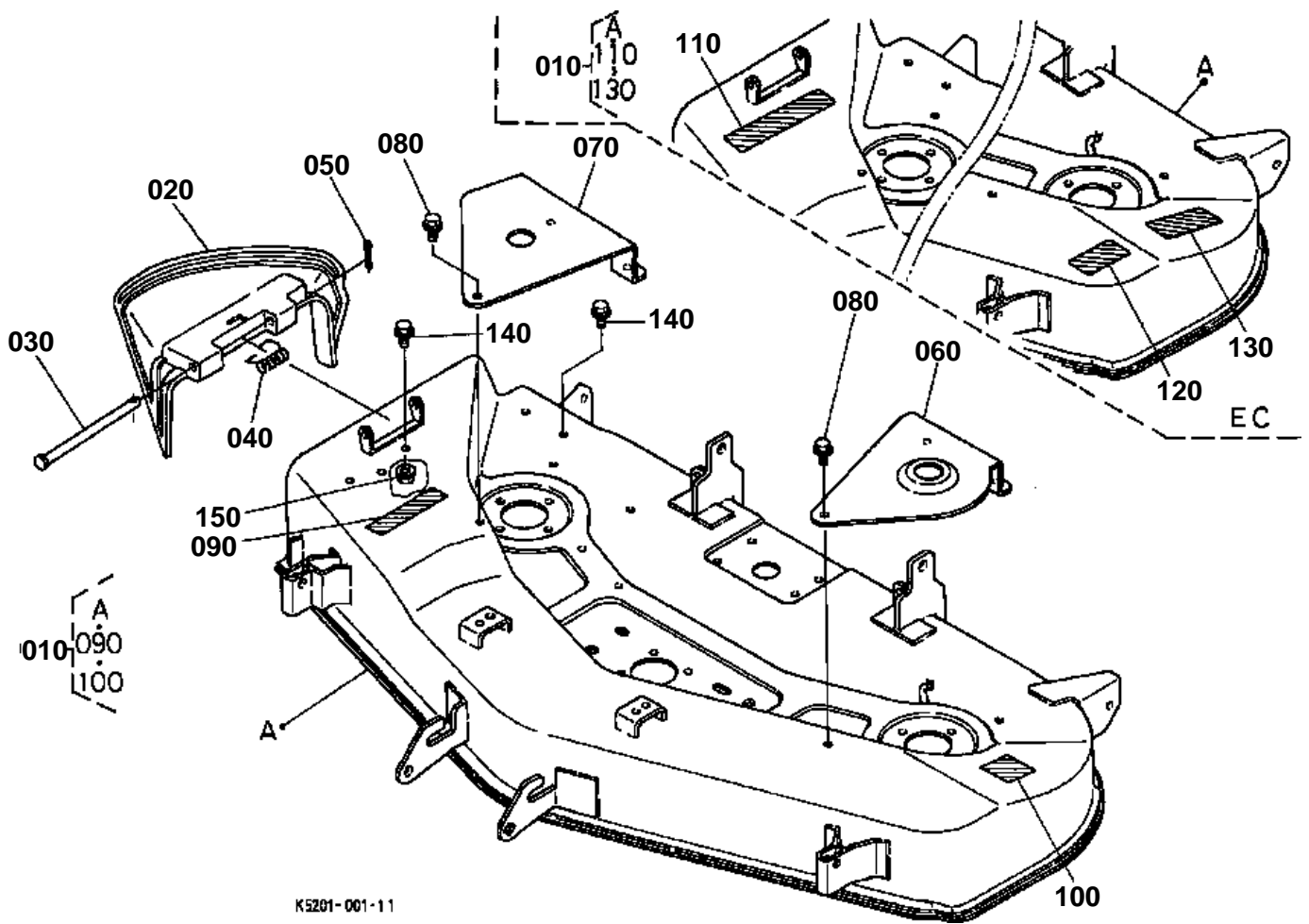
K5201-003-10

**TENSION ARM**

↔ Interchangeable; ≠ not interchangeable; ← new for old; → old for new

REF.No	Part No.	Description	Q'ty	S.No.	I/C	REMARKS	Weight (kgf)	Weight (lb)
010	K5201-71550	ARM TENSION	1				0	0
020	K5651-20150	BUSHING TENSION	2				0.017	0.0374
030	K5201-71540	COLLAR TENSION	1				0	0
040	0Y169-50640	BOLT SHORT SQU.NECK	1				0	0
050	K1122-41260	WASHER PLAIN	1				0.02	0.044
060	75599-33013	WASHER SPRING	1				0.01	0.022
070	75599-31023	NUT	1				0.006	0.0132
080	K1122-15150	NIPPLE GREASE	1				0.002	0.0044
090	K5112-71650	PULLEY TENSION	1				0.53	1.166
100	0Y169-50628	BOLT SHORT SQU.NECK	1				0	0
110	75599-33013	WASHER SPRING	1				0.01	0.022
120	K5112-71660	COVER TENSION	1				0.018	0.0396
130	75599-31023	NUT	1				0.006	0.0132
140	K5142-72740	SPRING TENSION	1				0	0
150	K5221-51310	V-BELT	1	≤10148			0	0
150	K5221-51350	BELT	1	≥10149	←		0	0
160	K5201-71410	BELT MOWER	1				0	0
170	K5142-72810	PLATE HOLDER PULLEY	1				0	0
180	04015-50100	WASHER PLAIN	1				0.016	0.0352
190	04512-60100	WASHER SPRING	1				0.002	0.0044
200	01053-51020	BOLT	1				0.02	0.044

MOWER DECK AND COVER





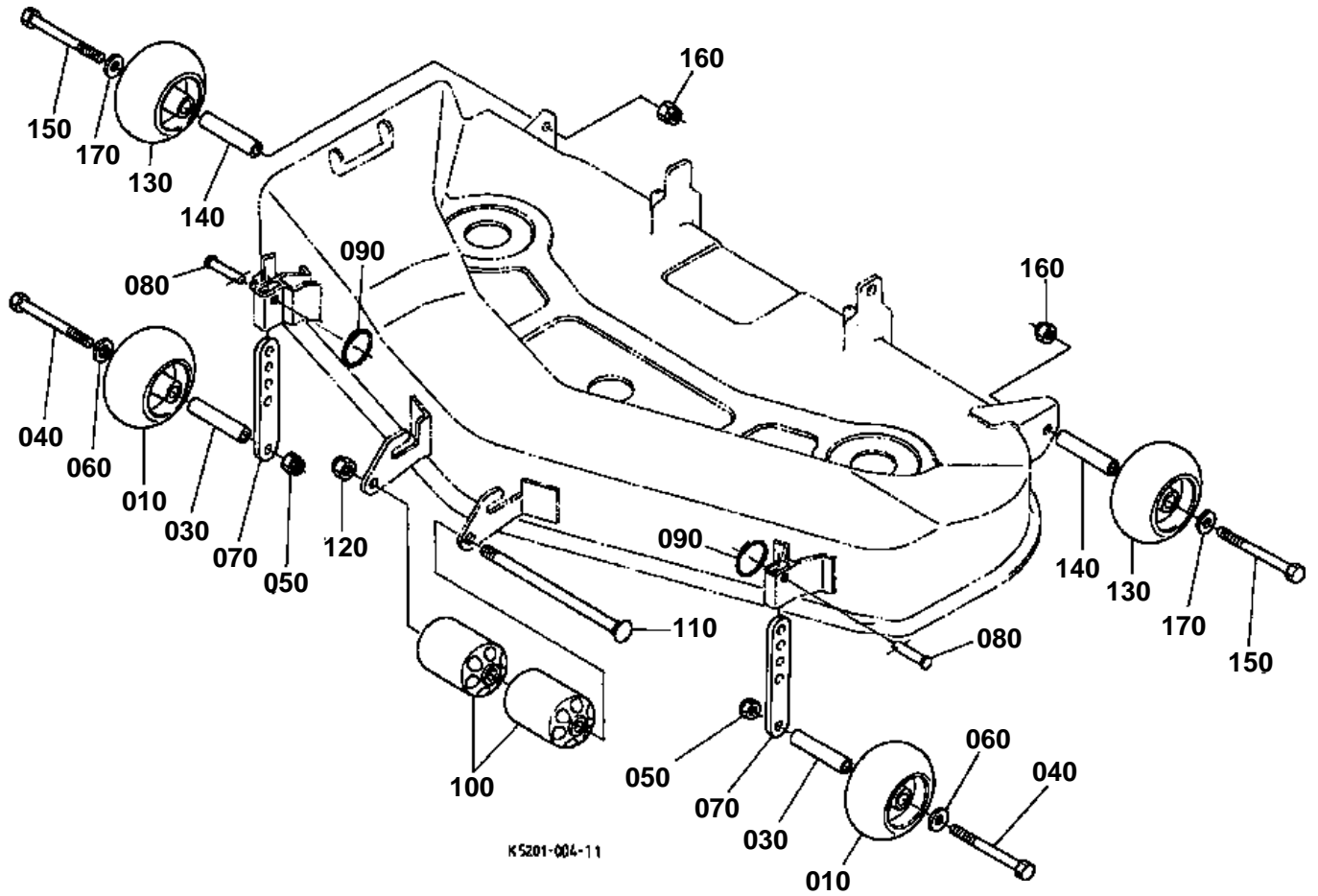


## MOWER DECK AND COVER

↔ Interchangeable; ≠ not interchangeable; ← new for old; → old for new

REF.No	Part No.	Description	Q'ty	S.No.	I/C	REMARKS	Weight (kgf)	Weight (lb)
010	K5201-97120	KIT MOWER DECK	1				0	0
020	K5182-72110	DISCHARGE COVER	1				0.72	1.584
030	K5112-72120	PIN COVER	1				0.09	0.198
040	K5112-72130	SPRING COVER	1				0.05	0.11
050	75599-53152	PIN COTTER	1				0	0
060	K5201-72620	COVER BELT LH	1				0	0
070	K5201-72630	COVER BELT RH	1				0	0
080	01754-50816	BOLT FLANGE	6				0.011	0.0242
090	K5112-73110	LABEL DANGER	1				0	0
100	K5112-73120	LABEL DANGER	1				0	0
140	01754-50814	BOLT FLANGE	4				0.005	0.011
150	02751-50080	NUT FLANGE	3				0.006	0.0132

GAUGE WHEEL



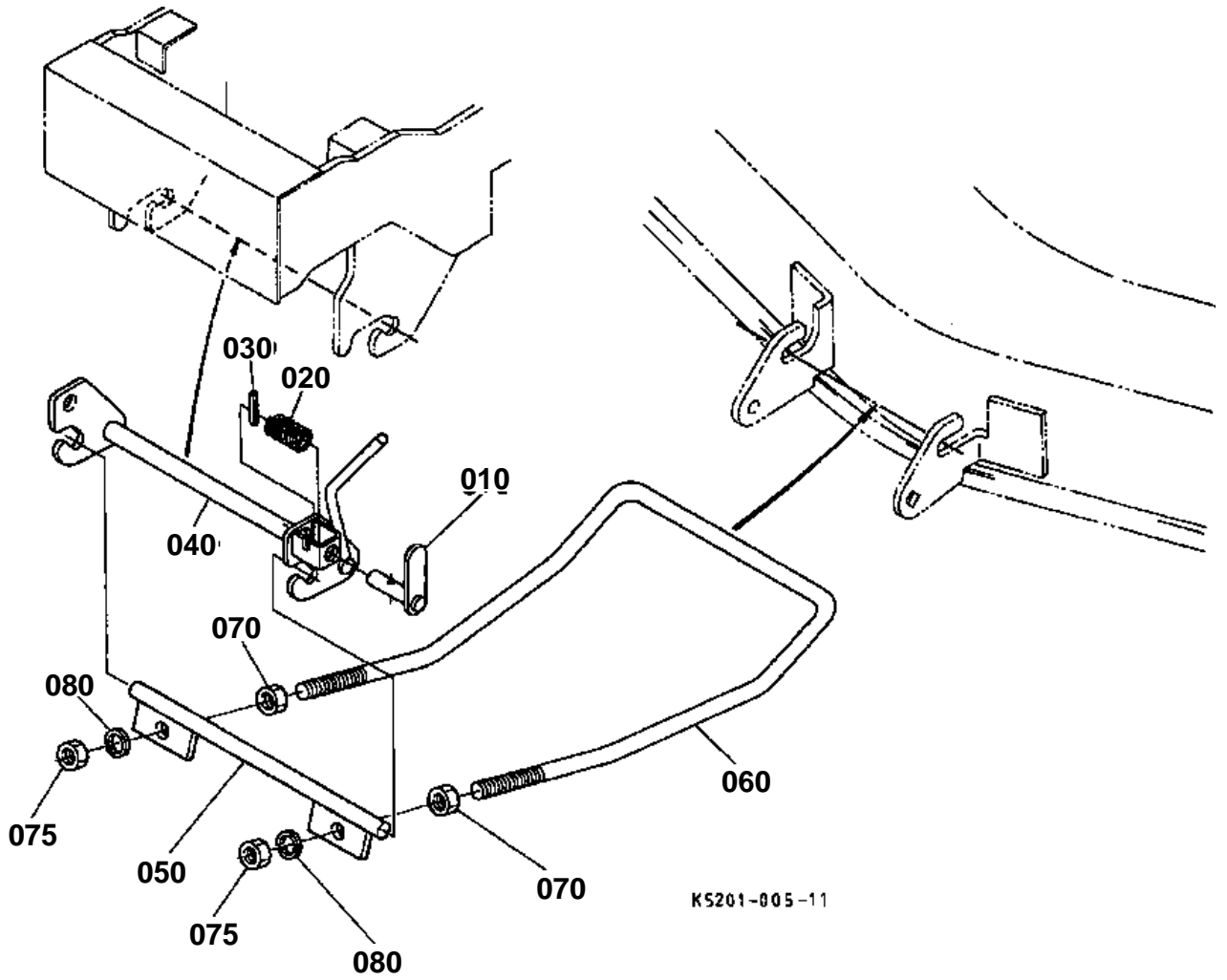


# GAUGE WHEEL

↔ Interchangeable; ≠ not interchangeable; ← new for old; → old for new

REF.No	Part No.	Description	Q'ty	S.No.	I/C	REMARKS	Weight (kgf)	Weight (lb)
010	K5182-72410	GAUGE WHEEL	2				0	0
020	99999-99999	BLANK	0				0	0
030	K5182-72660	BOSS GAUGE WHEEL	2				0.06	0.132
040	01053-50890	BOLT	2				0.03	0.066
050	K5112-72840	NUT LOCK	2				0.005	0.011
060	K5112-72830	WASHER PLAIN	2				0.005	0.011
070	K5112-72680	PLATE GAUGE WHEEL	2				0.38	0.836
080	75599-51320	PIN CLEVIS	2				0.017	0.0374
090	70712-51140	RING SNAP	2				0.009	0.0198
100	K5112-72420	GAUGE WHEEL	2				0.15	0.33
110	K5221-72650	BOLT GAUGE	1				0.25	0.55
120	02572-50120	NUT LOCK	1				0.014	0.0308
130	K5182-72410	GAUGE WHEEL	2				0	0
140	K5182-72660	BOSS GAUGE WHEEL	2				0.06	0.132
150	01053-50890	BOLT	2				0.03	0.066
160	K5112-72840	NUT LOCK	2				0.005	0.011
170	K5112-72830	WASHER PLAIN	2				0.005	0.011

FRONT LINK LEVER

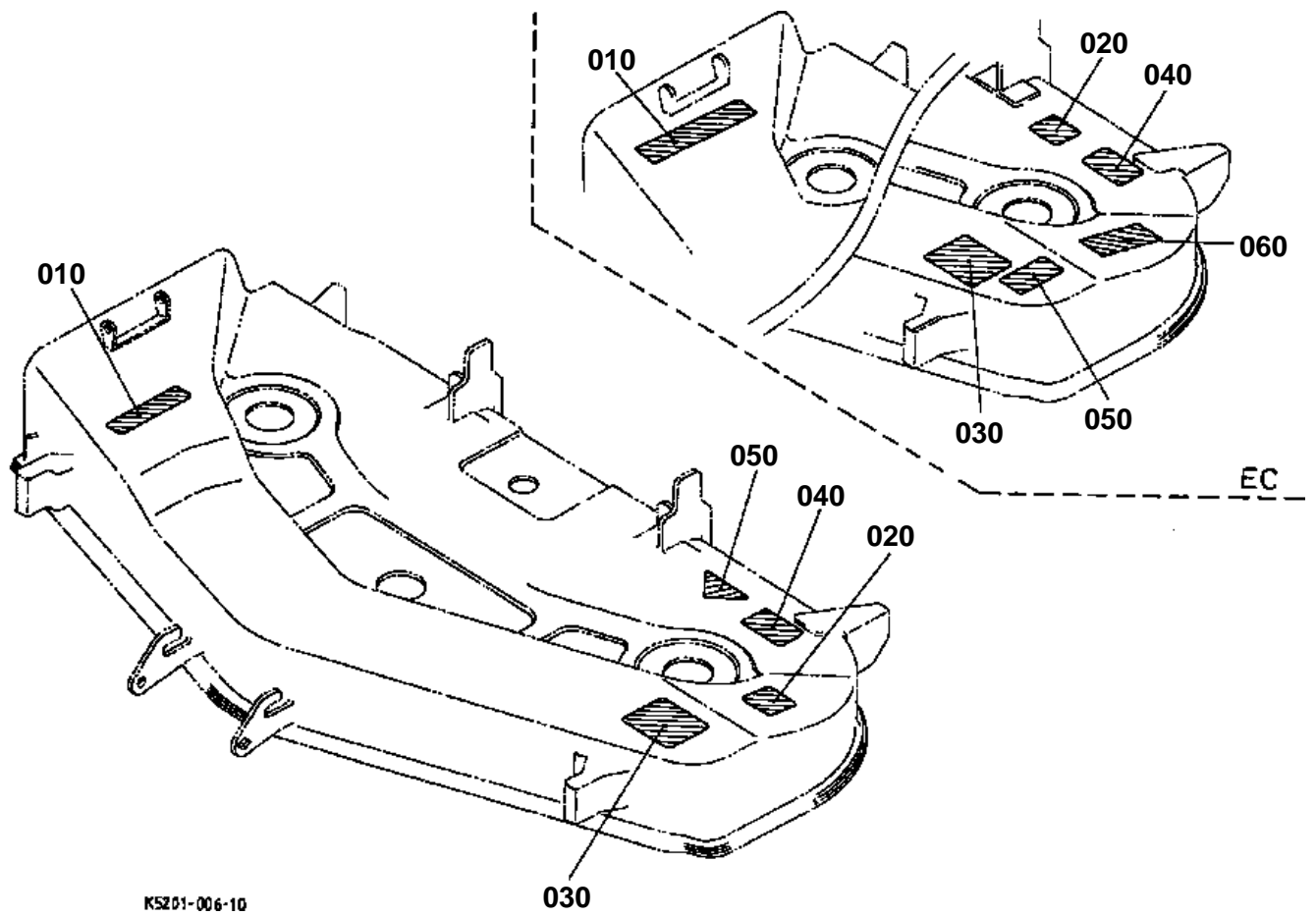




# FRONT LINK LEVER

↔ Interchangeable; ≠ not interchangeable; ← new for old; → old for new

REF.No	Part No.	Description	Q'ty	S.No.	I/C	REMARKS	Weight (kgf)	Weight (lb)
010	K5221-44540	PIN HINGE	1				0	0
020	K5221-44550	SPRING HINGE PIN	1				0	0
030	75599-52532	PIN SPRING	1				0.005	0.011
040	K5221-44580	LEVER LINK	1	<=21263			0	0
040	K5221-44583	LEVER LINK	1	>=21264	←		0	0
050	K5221-44610	LINK FRONT	1				0	0
060	K5221-44620	LINK FRONT	1				0	0
070	02074-50160	NUT	4				0.029	0.0638
070	02074-50160	NUT	2				0.029	0.0638
075	K1122-91940	NUT LOCK	2				0.03	0.066
080	75599-33017	WASHER SPRING LOCK	2				0	0



KS201-006-10



MOWER LABEL

↔ Interchangeable; ≠ not interchangeable; ← new for old; → old for new

REF.No	Part No.	Description	Q'ty	S.No.	I/C	REMARKS	Weight (kgf)	Weight (lb)
010	K5112-73110	LABEL DANGER	1				0	0
020	K5112-73120	LABEL DANGER	1				0	0
030	K5112-73130	LABEL ANTI-SCALP	1				0	0
040	99999-99999	PLATE NAME	1			NOT SALE	0	0
050	99999-99999	LABEL OPEI	1			NOT SALE	0	0