

# Instructions for Parts Books

The heading at the top of the page will be the same for the picture of the parts as it is for the page with the part numbers.

Definition of column headings on part number pages:

**REF.No** → The number referring to the part on the picture page of the parts book.

**Part No.** → The number assigned to this part at the time of printing the parts book.

**Description** → Description of part.

**Q'ty** → Quantity of part used on that page.

**S.No.** → Serial number range of the equipment that this part will fit.

>= Your serial number should be greater than or equal to the number shown.

<= Your serial number should be lesser than or equal to the serial number shown.

**I/C** → Interchangeability of part shown.

↔ The part shown will work for the older and later serial number.

# The part shown is not interchangeable with the other serial number.

← new for old

→ old for new

**Remarks** → Notes about this particular part. Sometimes this may say except [FR] or [CA]

## Note about Country Codes:

The parts books we use in the United States of America may also contain information about a part that would be different in another country. It is important that you are aware of the country codes in some instances.

Symbol	Country
A	United States of America
CA	Canada
FR	France
GR	Greece
PO	Portugal
AU	Australia

If the remarks column says for example EXCEPT [FR] this part works in all countries except France. That means it will work here in the USA.

ALL PRODUCT INDEX  
RCK48-15BX

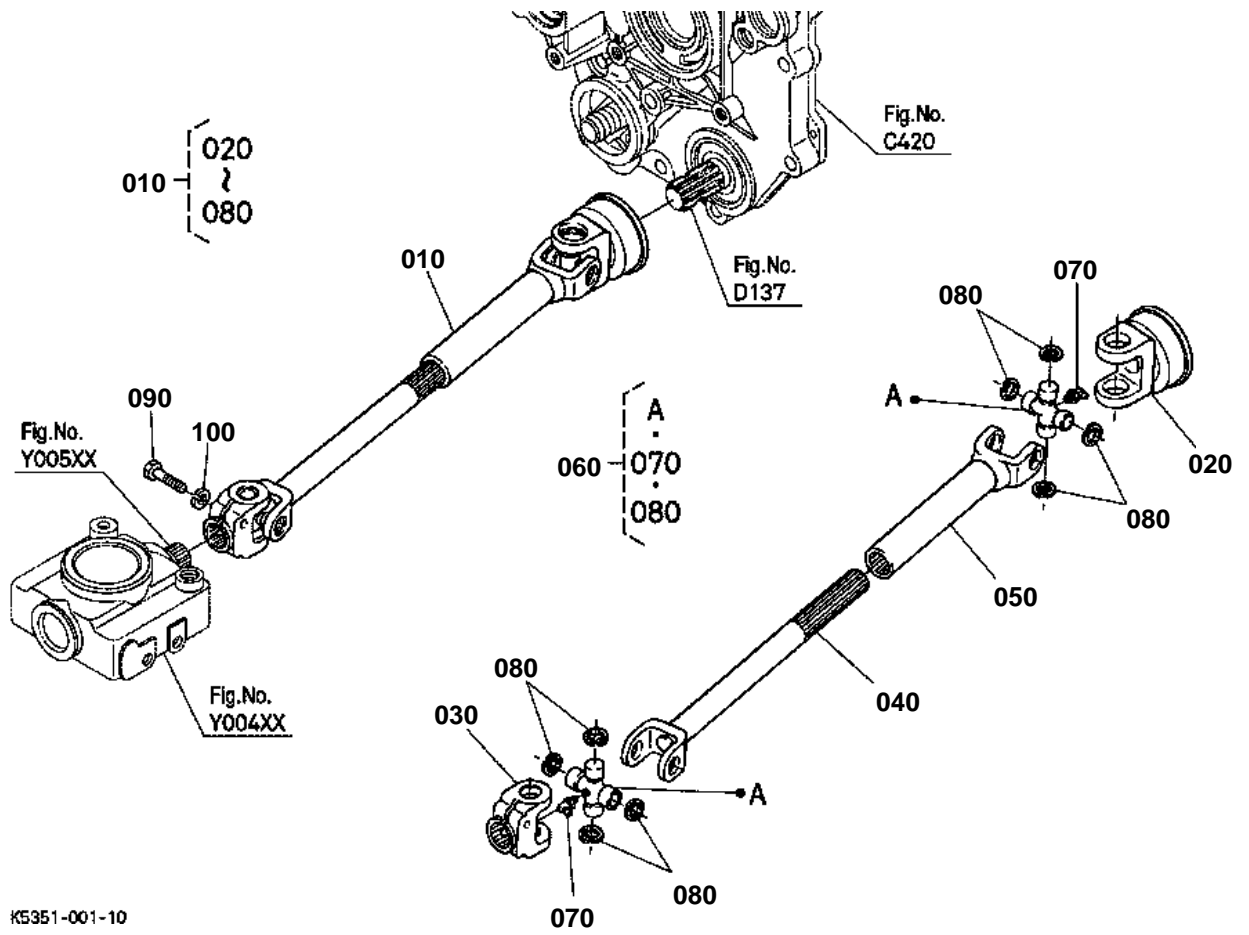
---



MOWER

Item	Part No.	Description	Book
MOWER	02Y001	UNIVERSAL JOINT	100K0728
	02Y00401	BEVEL GEAR CASE	100K0728
	02Y00501	INPUT SHAFT/CENTER PULLEY	100K0728
	02Y00701	PULLEY HOLDER/BLADE	100K0728
	02Y01001	SIDE PULLEY/BLADE	100K0728
	02Y01301	TENSION PULLEY	100K0728
	02Y10001	MOWER DECK	100K0728
	02Y10301	FRONT GAUGE WHEEL	100K0728
	02Y10601	REAR WHEEL	100K0728
	02Y10901	DISCHARGE COVER	100K0728
	02Y200	MOWER LINKAGE	100K0728
	02Y25001	MOWER LABEL [ENGLISH]	100K0728
	02Y25002	MOWER LABEL [FRENCH]	100K0728
	02Y301	ACCESSORIES AND SERVICE PARTS	100K0728

UNIVERSAL JOINT



K5351-001-10

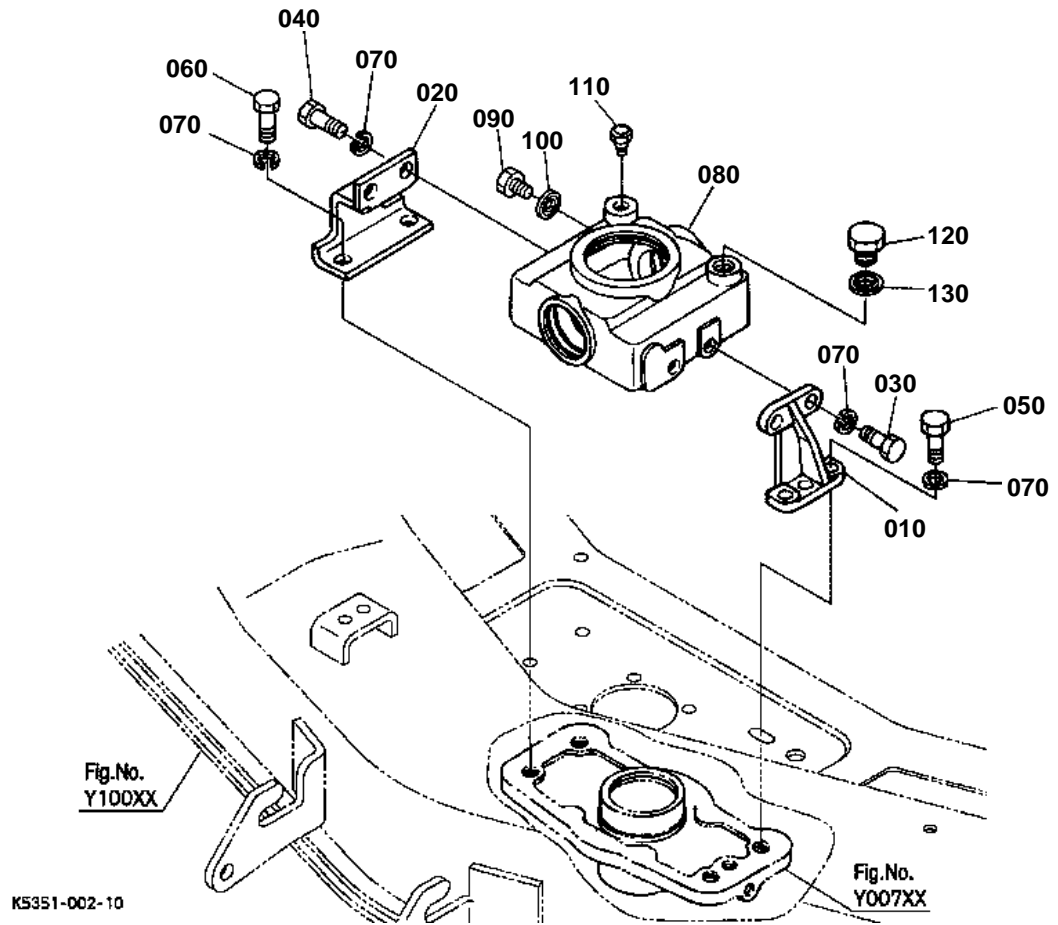


# UNIVERSAL JOINT

↔ Interchangeable; ≠ not interchangeable; ← new for old; → old for new

REF.No	Part No.	Description	Q'ty	S.No.	I/C	REMARKS	Weight (kgf)	Weight (lb)
010	K5371-32030	ASSY JOINT UNIVERSAL	1				3.5	7.7
020	76539-31150	YOKE QUICK	1				0.55	1.21
030	K5371-31130	YOKE PTO	1				0.48	1.056
040	76553-31140	SHAFT JOINT	1				1.21	2.662
050	76539-31170	YOKE SLEEVE	1				0.2	0.44
060	76539-31180	ASSY JOINT CROSS	2				0.21	0.462
070	76539-31210	NIPPLE GREASE	2				0.01	0.022
080	76539-32120	RING SNAP	8				0.003	0.0066
090	01053-51035	BOLT	1				0.03	0.066
100	04512-60100	WASHER SPRING	1				0.002	0.0044

BEVEL GEAR CASE



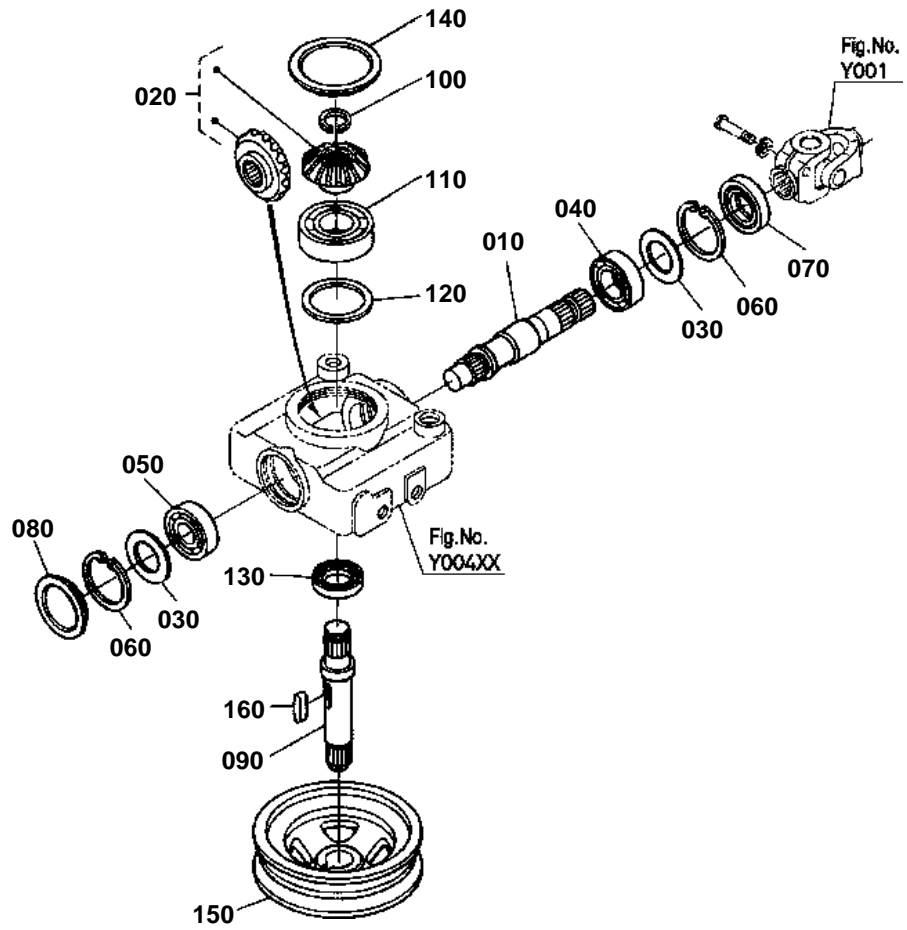


## BEVEL GEAR CASE

↔ Interchangeable; ≠ not interchangeable; ← new for old; → old for new

REF.No	Part No.	Description	Q'ty	S.No.	I/C	REMARKS	Weight (kgf)	Weight (lb)
010	K5761-33130	STAY BEVEL CASE LH	1				0.4	0.88
020	K5700-33150	STAY CASE RH	1				0	0
030	K5763-33210	BOLT REAMER	2				0	0
040	01073-51225	BOLT	2				0.035	0.077
050	K5763-33230	BOLT REAMER	2				0	0
060	01073-51235	BOLT	2				0.045	0.099
070	04512-60120	WASHER SPRING	8				0.005	0.011
080	K5761-33115	CASE BEVEL GEAR	1				3.82	8.404
090	01153-50812	BOLT	2				0.008	0.0176
100	04717-00800	WASHER WITH RUBBER	2				0.001	0.0022
110	K5761-33250	PLUG BREATHER	1				0.006	0.0132
120	06331-35016	PLUG	1				0.04	0.088
130	04711-00300	GASKET	1				0.001	0.0022

INPUT SHAFT/CENTER PULLEY



K5351-004-10



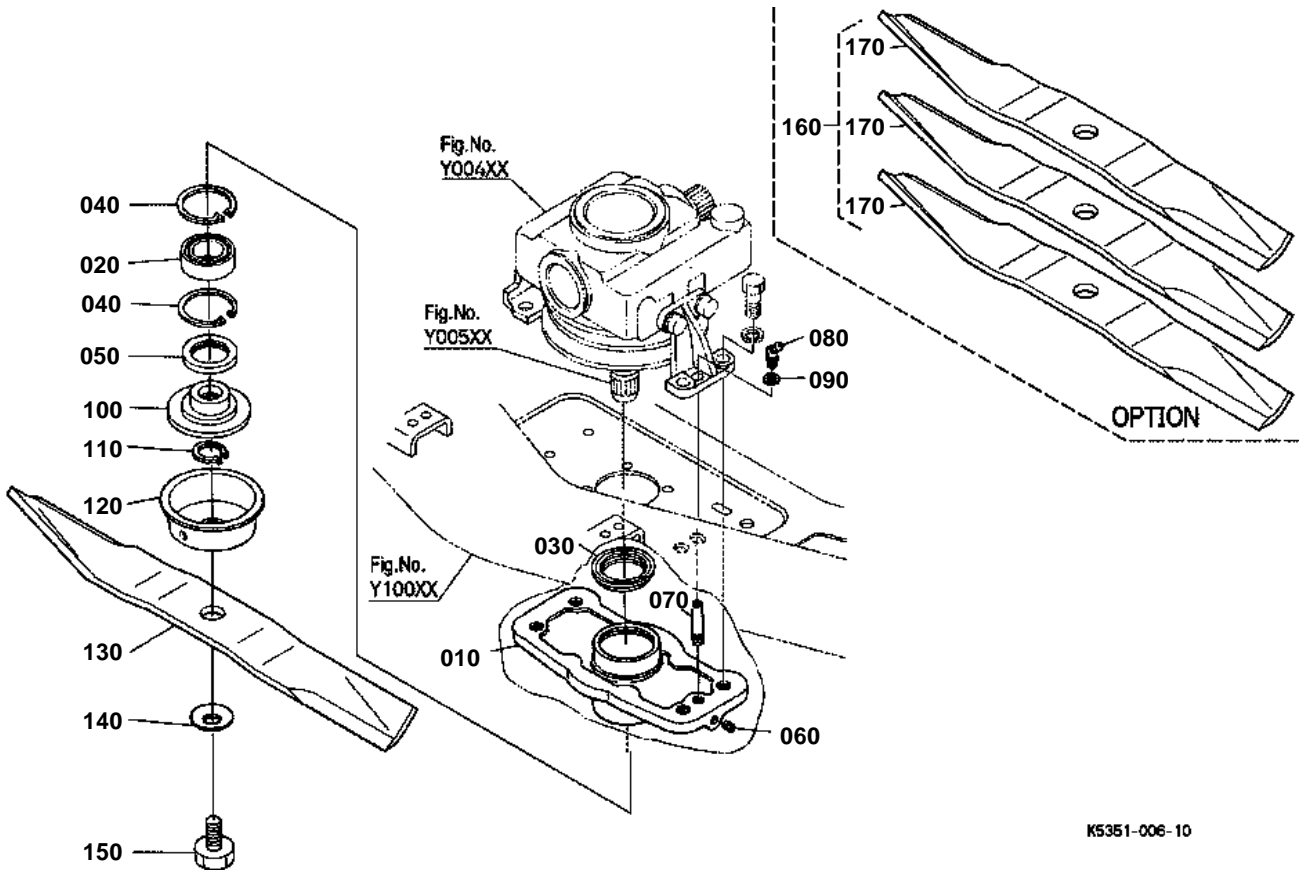


# INPUT SHAFT/CENTER PULLEY

↔ Interchangeable; ≠ not interchangeable; ← new for old; → old for new

REF.No	Part No.	Description	Q'ty	S.No.	I/C	REMARKS	Weight (kgf)	Weight (lb)
010	K5763-33310	SHAFT PINION	1				0.66	1.452
020	K5762-33320	KIT GEAR BEVEL	1			16-21T	0.46	1.012
030	36330-28420	SHIM	2			0.2mm	0.002	0.0044
030	36330-28410	SHIM	2			0.3mm	0.002	0.0044
040	08101-06205	BEARING BALL	1				0.14	0.308
050	08101-06304	BEARING BALL	1				0.146	0.3212
060	04611-00520	CIR CLIP INTERNAL	2				0.009	0.0198
070	76535-33440	SEAL OIL	1				0.02	0.044
080	63313-32270	CAP	1				0.03	0.066
090	K5700-33500	SHAFT BEVEL GEAR	1				0.5	1.1
100	04612-00220	CIR CLIP EXTERNAL	1				0.001	0.0022
110	70712-33550	BEARING BALL	1				0.22	0.484
120	70712-33570	SHIM	1			0.1mm	0.001	0.0022
120	76539-33410	SHIM	1			0.2mm	0.001	0.0022
130	K5761-33540	SEAL OIL	1				0.012	0.0264
140	7C765-51260	CAP	1				0.07	0.154
150	K5371-33520	PULLEY CENTER	1				1.78	3.916
160	05712-00728	KEY FEATHER	1				0.01	0.022

PULLEY HOLDER/BLADE



K5351-006-10

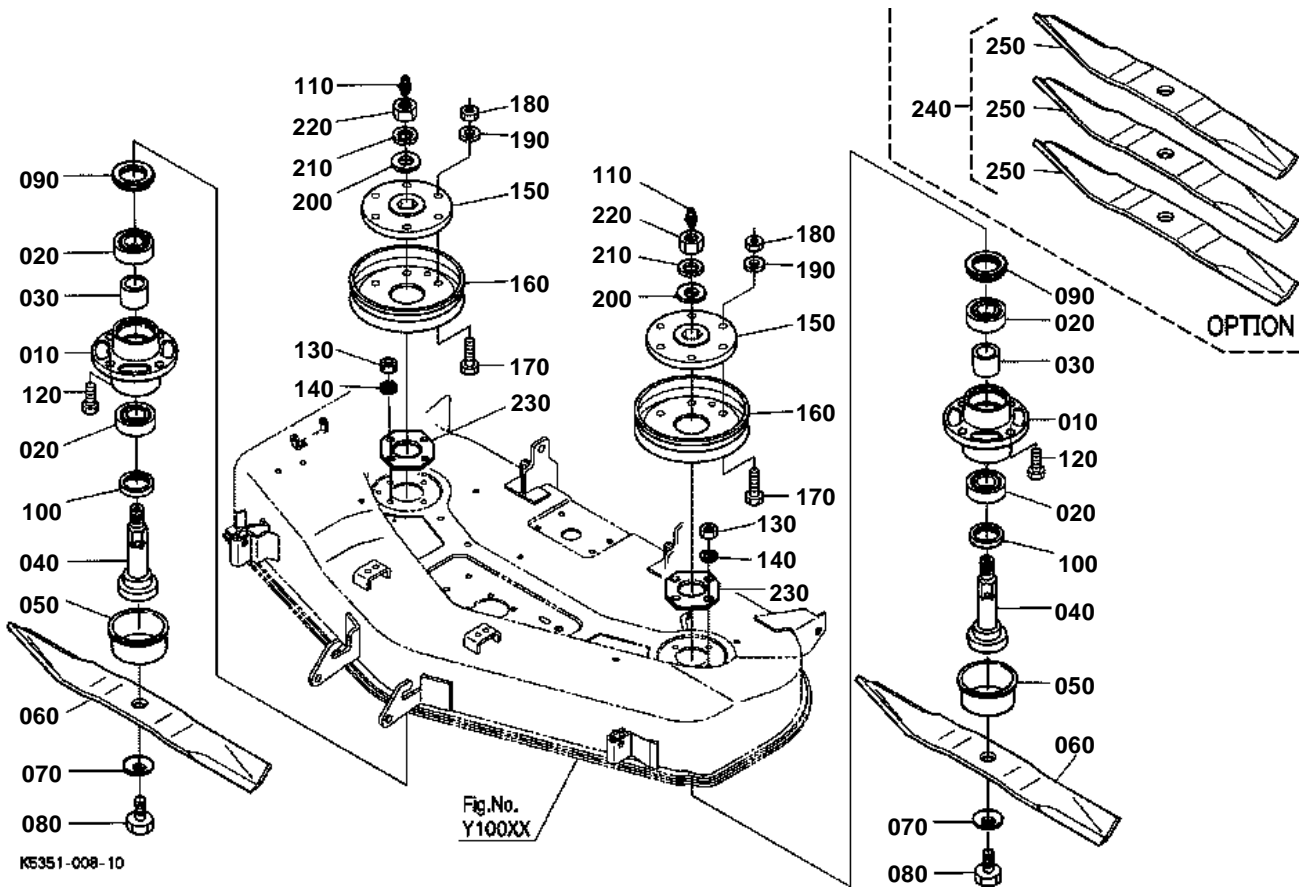


## PULLEY HOLDER/BLADE

↔ Interchangeable; ≠ not interchangeable; ← new for old; → old for new

REF.No	Part No.	Description	Q'ty	S.No.	I/C	REMARKS	Weight (kgf)	Weight (lb)
010	K5700-34110	HOLDER PULLEY CENTER	1				0	0
020	08101-06205	BEARING BALL	1				0.14	0.308
030	70722-34120	OIL SEAL UPPER	1				0.025	0.055
040	04611-00520	CIR CLIP INTERNAL	2				0.009	0.0198
050	70725-34162	OIL SEAL LOWER	1				0.024	0.0528
060	03410-50608	SCREW SET	1				0.001	0.0022
070	K5763-34130	PIPE EXTENSION	1				0	0
080	K5763-44250	NIPPLE GREASE	1				0	0
090	K5763-27340	SHIM ADJUST	1				0	0
100	K5761-34152	BOSS SPLINE	1				0.28	0.616
110	04612-00180	CIR CLIP EXTERNAL	1				0.001	0.0022
120	K5221-71230	COVER DUST	1				0.112	0.2464
130	K5181-71920	BLADE 48L(Low LIFT)	1				0	0
140	K5112-71330	SPRING PLATE	1				0.04	0.088
150	K5700-34370	BOLT BLADE	1				0	0
160	K5182-97520	KIT BLADE	1			OPTION	0	0
170	K5182-71820	BLADE	3			OPTION	0	0

SIDE PULLEY/BLADE



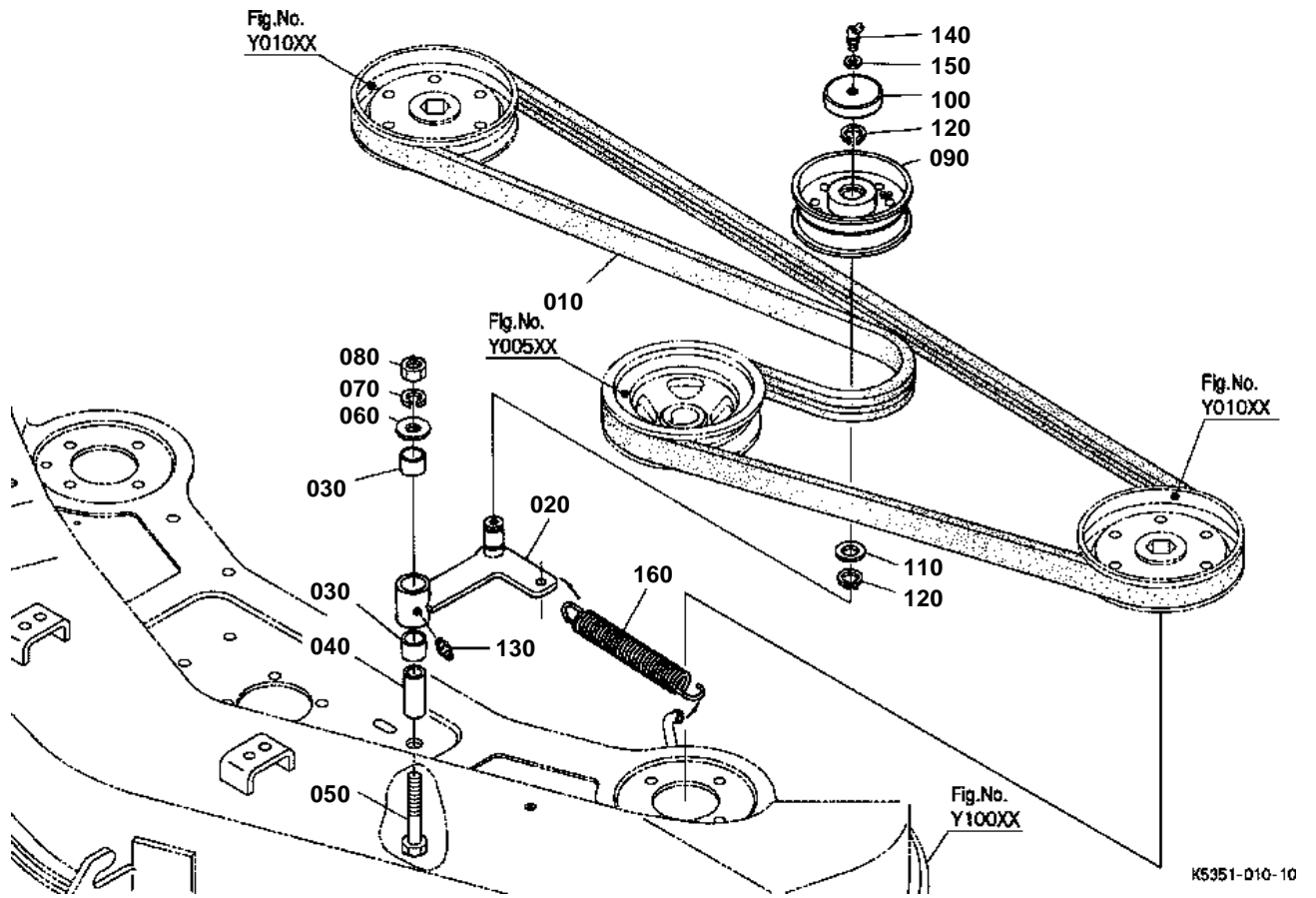
K5351-008-10

**SIDE PULLEY/BLADE**

↔ Interchangeable; ≠ not interchangeable; ← new for old; → old for new

REF.No	Part No.	Description	Q'ty	S.No.	I/C	REMARKS	Weight (kgf)	Weight (lb)
010	K5700-34510	HOLDER PULLY SIDE	2				0	0
020	08101-06205	BEARING BALL	4				0.14	0.308
030	K5221-71130	COLLAR	2				0	0
040	K5700-34552	SHAFT BLADE	2				0	0
050	K5221-71230	COVER DUST	2				0.112	0.2464
060	K5181-71920	BLADE	2				0	0
070	K5112-71330	SPRING PLATE	2				0.04	0.088
080	K5700-34370	BOLT BLADE	2				0	0
090	70722-34120	OIL SEAL UPPER	2				0.025	0.055
100	70725-34162	OIL SEAL LOWER	2				0.024	0.0528
110	K1122-15150	NIPPLE GREASE	2				0.002	0.0044
120	75599-04320	HEX.BOLT	8				0.02	0.044
130	75599-31023	NUT	8				0.006	0.0132
140	75599-33013	WASHER SPRING	8				0.01	0.022
150	K5371-34572	BOSS SIDE PULLY	2				0	0
160	K5371-34580	PULLEY BLADE SIDE	2				0	0
170	01053-50825	BOLT	12				0.014	0.0308
180	02054-50080	NUT	12				0.005	0.011
190	75599-33012	WASHER SPRING	12				0.002	0.0044
200	04013-50180	WASHER PLAIN	2				0.015	0.033
210	04512-60180	WASHER SPRING	2				0.02	0.044
220	02074-50180	NUT	2				0.043	0.0946
230	K5112-72810	PLATE HOLDER PULLEY	2				0.17	0.374
240	K5182-97520	KIT BLADE	1			OPTION	0	0
250	K5182-71820	BLADE	3			OPTION	0	0

TENSION PULLEY



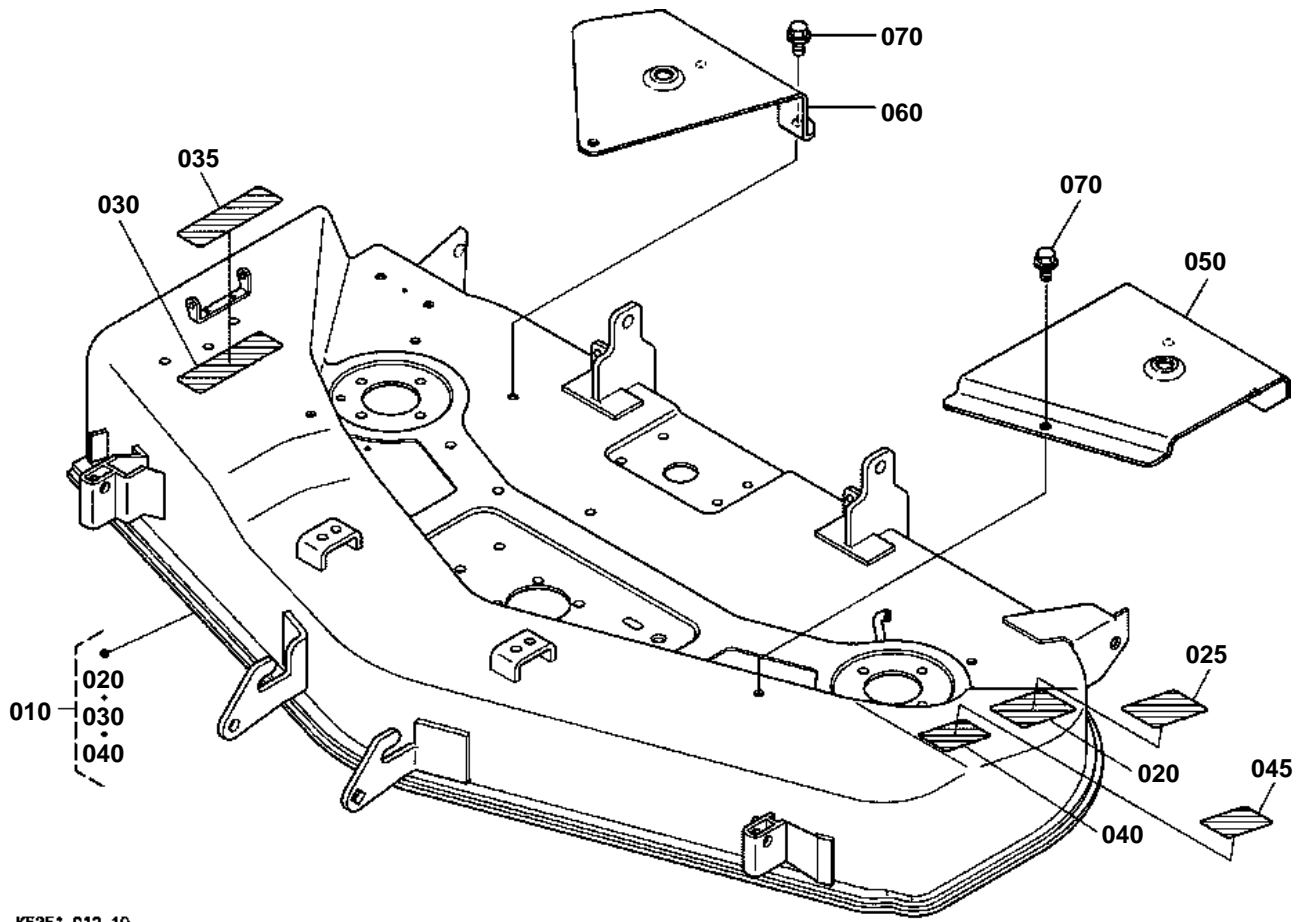


## TENSION PULLEY

↔ Interchangeable; ≠ not interchangeable; ← new for old; → old for new

REF.No	Part No.	Description	Q'ty	S.No.	I/C	REMARKS	Weight (kgf)	Weight (lb)
010	K5700-34710	MULTI BELT 104 POLY	1				0	0
020	K5700-34730	ARM TENSION	1				0	0
030	K5651-20150	BUSHING TENSION	2				0.017	0.0374
040	K5651-34780	COLLAR TENSION	1				0.055	0.121
050	01073-51270	BOLT	1				0.06	0.132
060	75599-32015	WASHER PLAIN	1				0.01	0.022
070	04512-60120	WASHER SPRING	1				0.005	0.011
080	02074-50120	NUT	1				0.015	0.033
090	K5651-34880	PULLEY TENSION	1				0.55	1.21
100	K5651-34790	COVER TENSION	1				0.02	0.044
110	K5651-34800	SEAL BEARING	1				0.001	0.0022
120	04612-00170	CIR CLIP EXTERNAL	2				0.001	0.0022
130	K1122-15150	NIPPLE GREASE	1				0.002	0.0044
140	K5371-34750	NIPPLE GREASE	1				0	0
150	K5763-27350	SHIM ADJUST	1				0	0
160	K5700-34750	SPRING TENSION	1				0	0

MOWER DECK



K5351-012-10



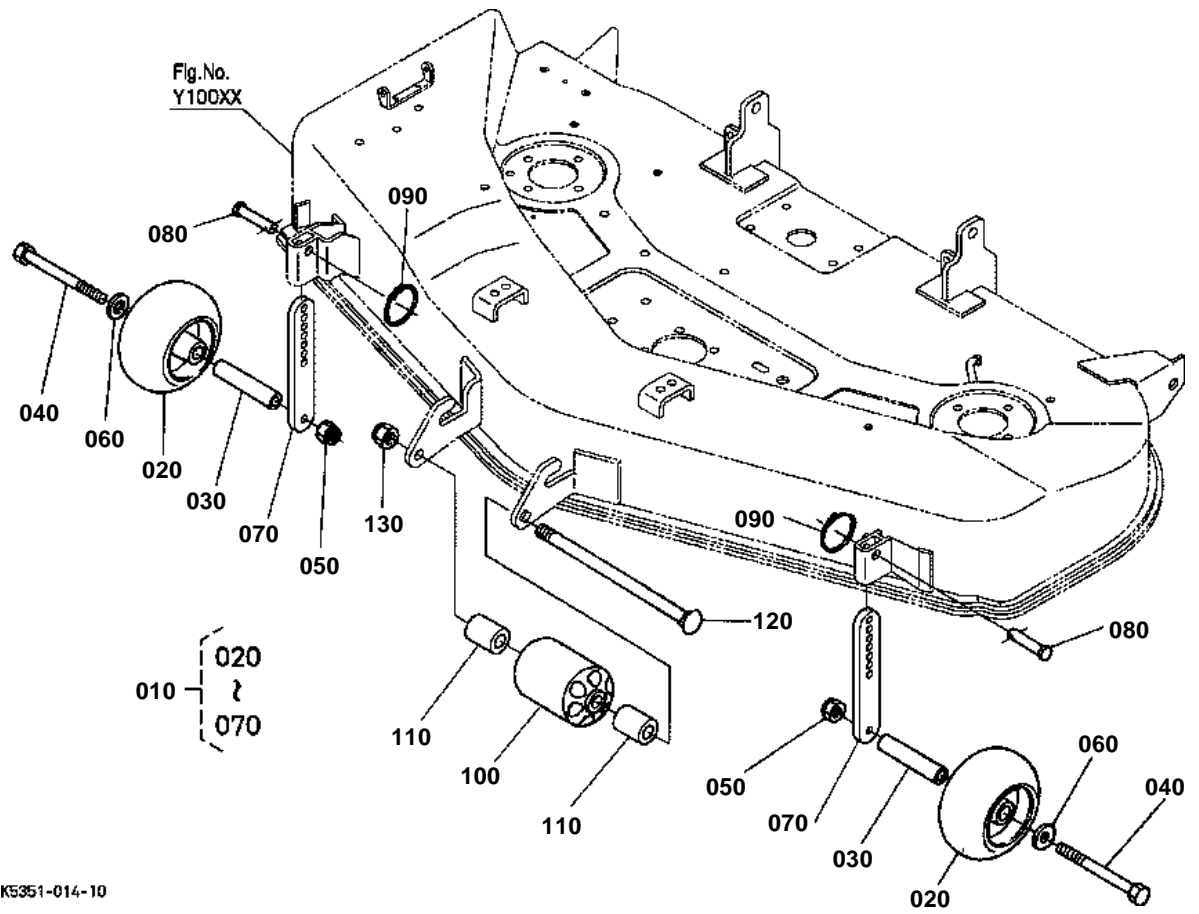


# MOWER DECK

↔ Interchangeable; ≠ not interchangeable; ← new for old; → old for new

REF.No	Part No.	Description	Q'ty	S.No.	I/C	REMARKS	Weight (kgf)	Weight (lb)
010	K5331-97120	KIT MOWER DECK	1				0	0
020	K5763-47150	LABEL CAUTION	1			ENGLISH	0	0
025	K5371-11470	LABEL CAUTION CA	1			FRENCH	0	0
030	K5112-73110	LABEL DANGER 1	1			ENGLISH	0	0
035	K5371-11420	LABEL DANGER 1 CA	1			FRENCH	0	0
040	K5112-73120	LABEL DANGER 2	1			ENGLISH	0	0
045	K5371-11480	LABEL DANGER 2 CA	1			FRENCH	0	0
050	K5700-41180	COVER LEFT	1				0	0
060	K5700-41200	COVER RIGHT	1				0	0
070	01754-50816	BOLT FLANGE	6				0.011	0.0242

FRONT GAUGE WHEEL



K5351-014-10

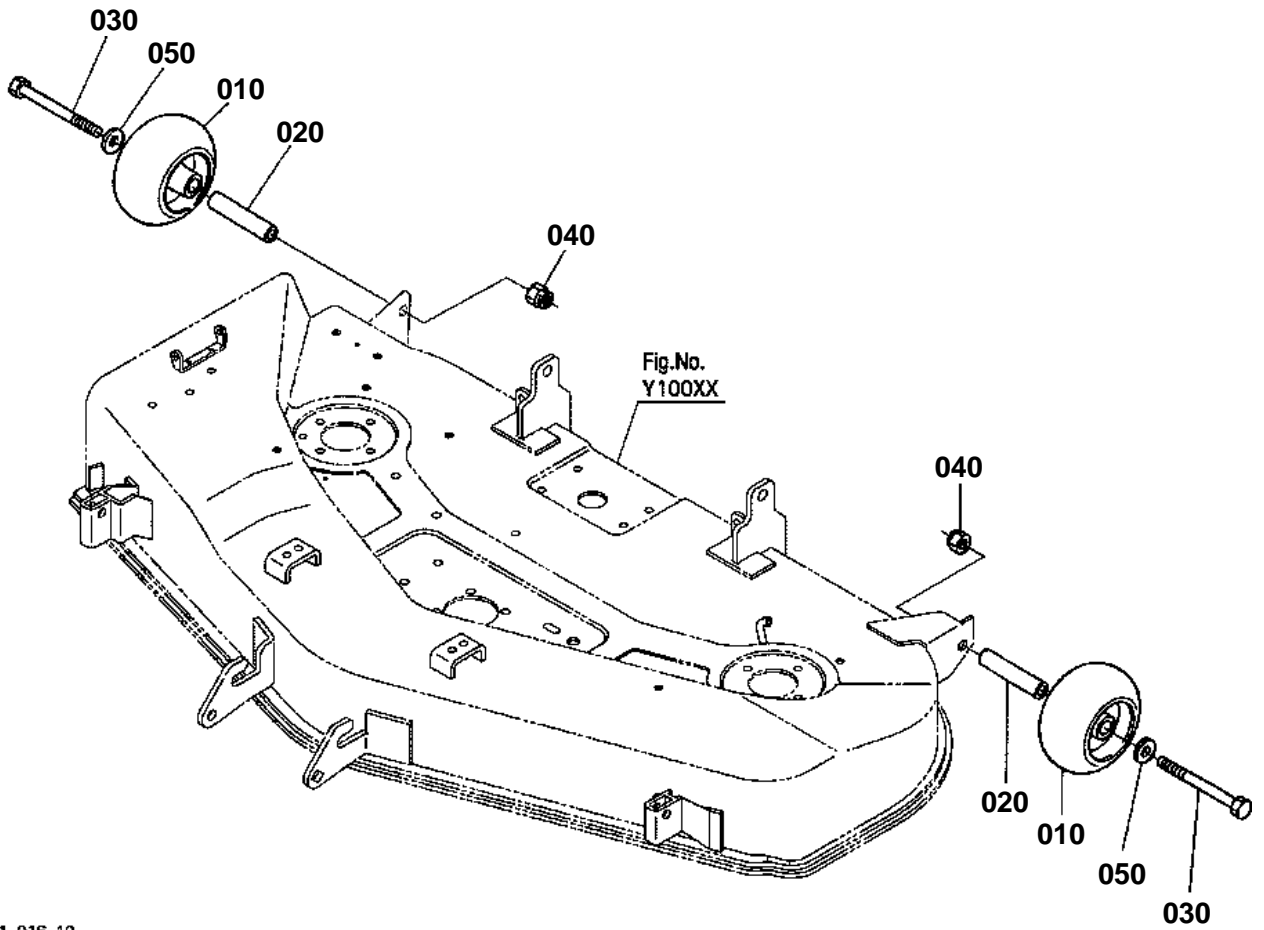


## FRONT GAUGE WHEEL

↔ Interchangeable; ≠ not interchangeable; ← new for old; → old for new

REF.No	Part No.	Description	Q'ty	S.No.	I/C	REMARKS	Weight (kgf)	Weight (lb)
010	K5172-72602	ASSY ROLLER ANTI-SCA	2				0	0
020	K5182-72410	ROLLER ANTI-SCALP	2				0	0
030	K5182-72660	BOSS GAUGE WHEEL	2				0.06	0.132
040	01053-50890	BOLT	2				0.03	0.066
050	K5112-72840	NUT LOCK	2				0.005	0.011
060	K5112-72830	WASHER PLAIN	2				0.005	0.011
070	K5122-72680	PLATE GAUGE WHEEL	2				0	0
080	75599-51320	PIN CLEVIS	2				0.017	0.0374
090	K5112-72730	RING SNAP	2				0.01	0.022
100	K5112-72420	ROLLER ANTI-SCALP	1				0.15	0.33
110	K5371-44310	COLLAR WHEEL	2				0	0
120	K5221-72650	BOLT GAUGE	1				0.25	0.55
130	02572-50120	NUT LOCK	1				0.014	0.0308

# REAR WHEEL



K5351-016-10

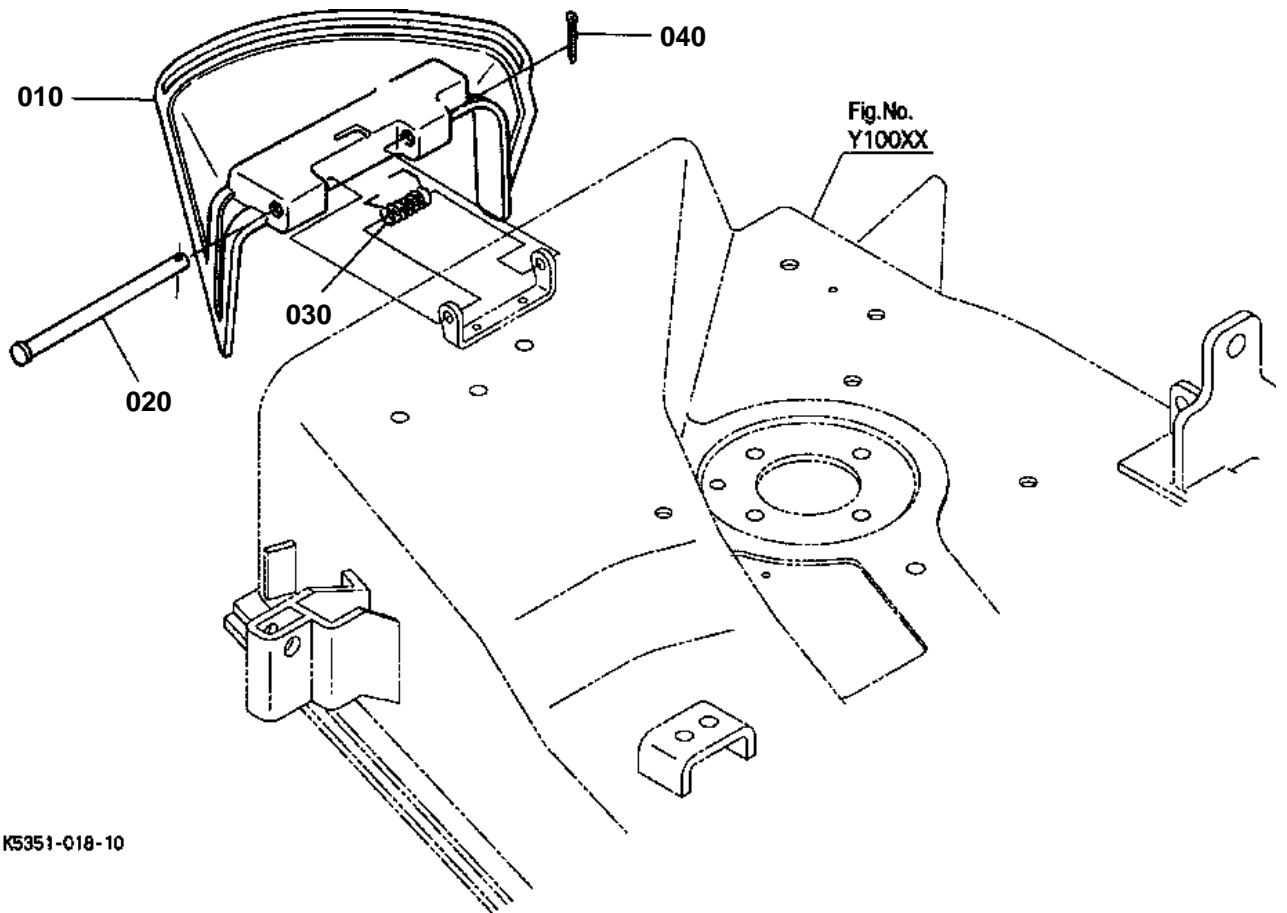


## REAR WHEEL

↔ Interchangeable; ≠ not interchangeable; ← new for old; → old for new

REF.No	Part No.	Description	Q'ty	S.No.	I/C	REMARKS	Weight (kgf)	Weight (lb)
010	K5182-72410	ROLLER ANTI-SCALP	2				0	0
020	K5182-72660	BOSS GAUGE WHEEL	2				0.06	0.132
030	01053-50890	BOLT	2				0.03	0.066
040	K5112-72840	NUT LOCK	2				0.005	0.011
050	K5112-72830	WASHER PLAIN	2				0.005	0.011

DISCHARGE COVER



K5351-018-10

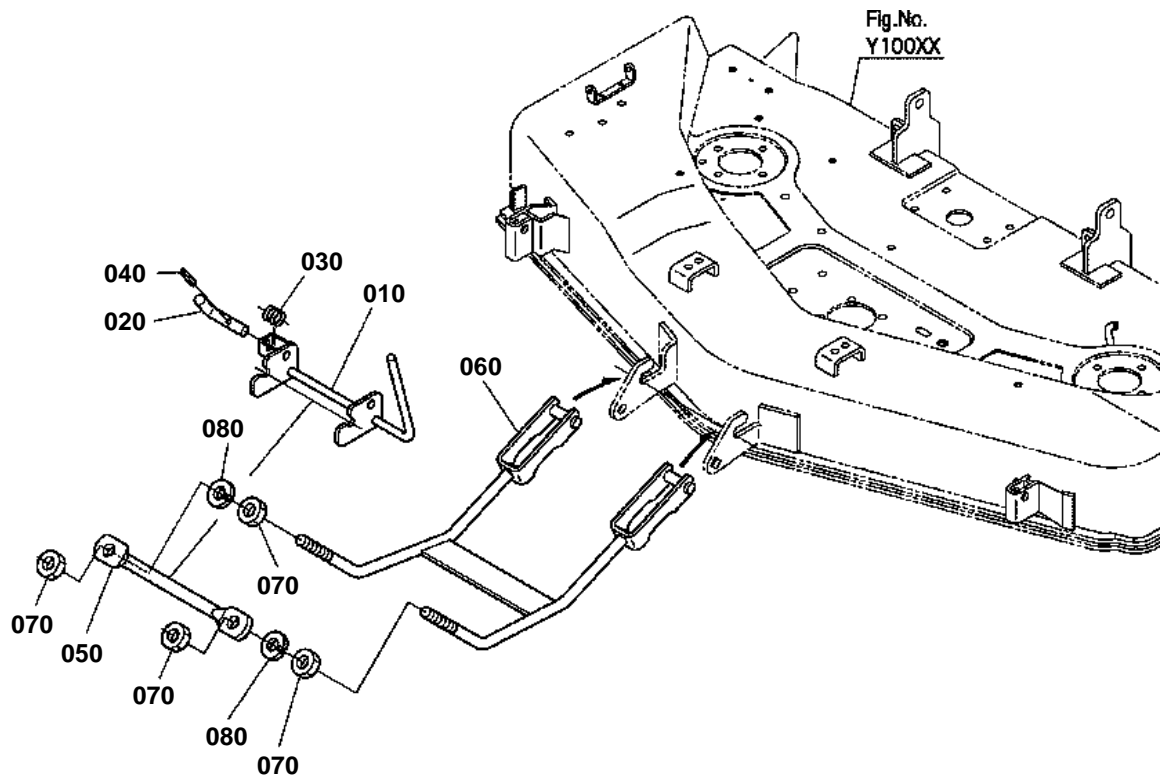


## DISCHARGE COVER

↔ Interchangeable; ≠ not interchangeable; ← new for old; → old for new

REF.No	Part No.	Description	Q'ty	S.No.	I/C	REMARKS	Weight (kgf)	Weight (lb)
010	K5182-72110	DISCHARGE COVER	1				0.72	1.584
020	K5112-72120	PIN COVER	1				0.09	0.198
030	K5112-72130	SPRING COVER	1				0.05	0.11
040	75599-53152	PIN COTTER	1				0	0

MOWER LINKAGE



K5351-020-10

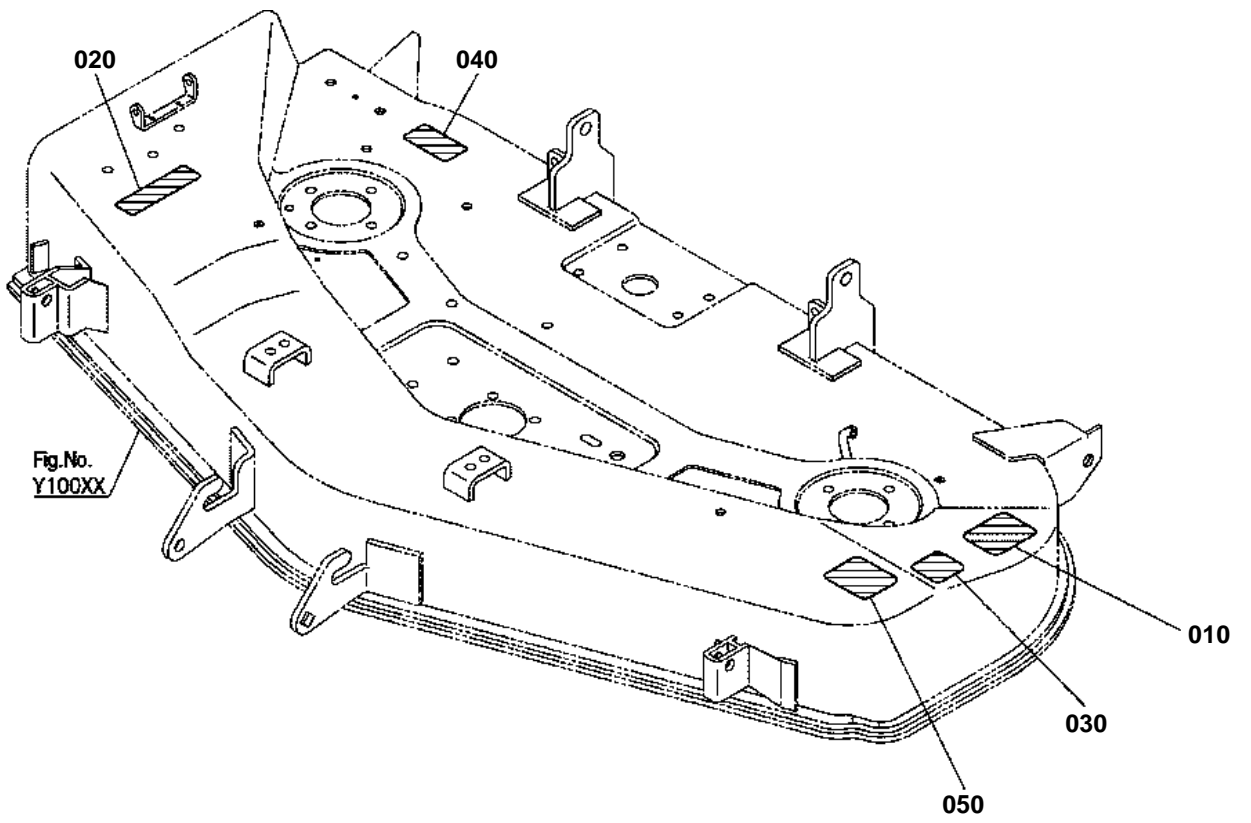




## MOWER LINKAGE

↔ Interchangeable; ≠ not interchangeable; ← new for old; → old for new

REF.No	Part No.	Description	Q'ty	S.No.	I/C	REMARKS	Weight (kgf)	Weight (lb)
010	K5371-44580	LEVER LINK	1				0	0
020	K5763-44540	PIN FRONT	1				0	0
030	K5763-44560	SPRING PIN FRONT	1				0	0
040	75599-52532	PIN SPRING	1				0.005	0.011
050	K5371-44610	LINK FRONT	1				0	0
060	K5331-44620	LINK FRONT	1				0	0
070	02074-50160	NUT	4				0.029	0.0638
080	75599-33017	WASHER SPRING LOCK	2				0	0



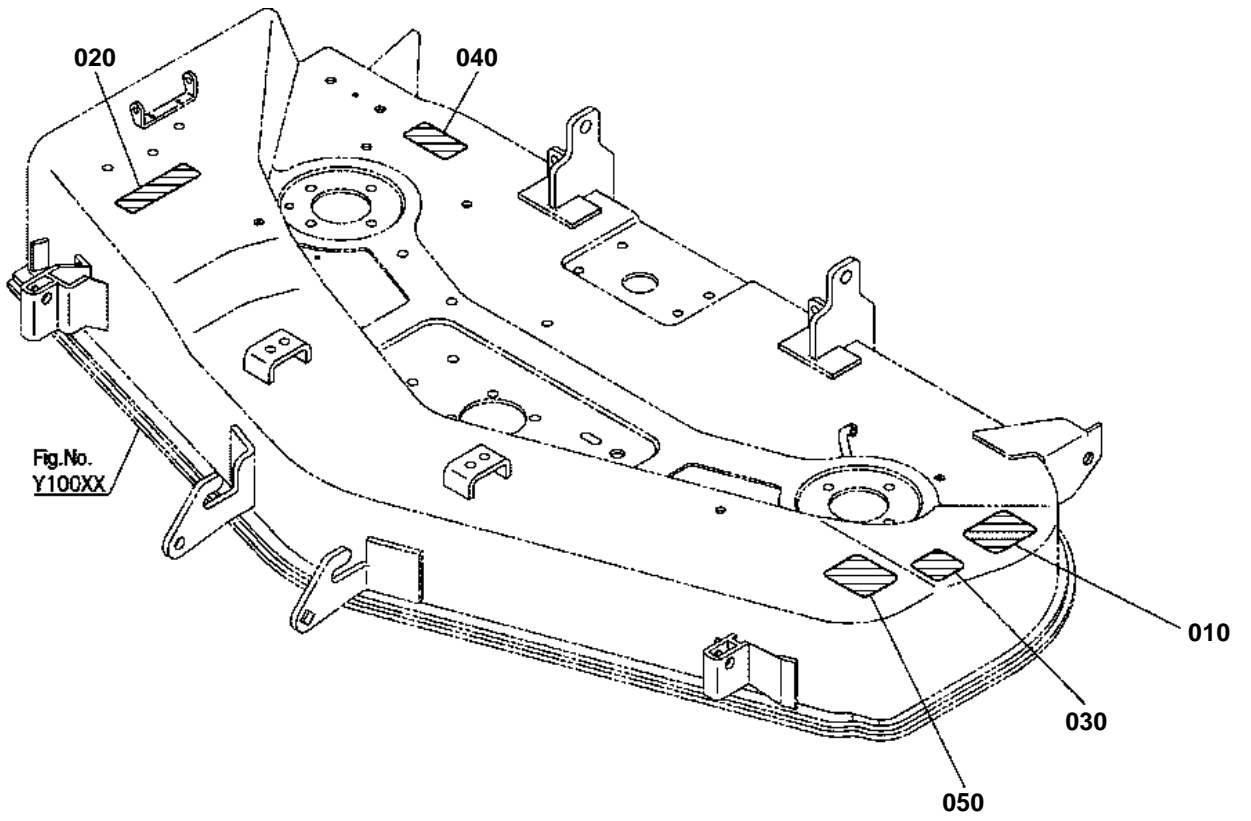
K5351-021-10



# MOWER LABEL [ENGLISH]

↔ Interchangeable; ≠ not interchangeable; ← new for old; → old for new

REF.No	Part No.	Description	Q'ty	S.No.	I/C	REMARKS	Weight (kgf)	Weight (lb)
010	K5763-47150	LABEL CAUTION	1				0	0
020	K5112-73110	LABEL DANGER 1	1				0	0
030	K5112-73120	LABEL DANGER 2	1				0	0
040	99999-99999	PLATE NAME	1				0	0
050	K5221-73130	LABEL ANTI-SCALP	1				0	0



K5351-021-10



# MOWER LABEL [FRENCH]

↔ Interchangeable; ≠ not interchangeable; ← new for old; → old for new

REF.No	Part No.	Description	Q'ty	S.No.	I/C	REMARKS	Weight (kgf)	Weight (lb)
010	K5371-11470	LABEL CAUTION CA	1				0	0
020	K5371-11420	LABEL DANGER 1 CA	1				0	0
030	K5371-11480	LABEL DANGER 2 CA	1				0	0
040	99999-99999	PLATE NAME	1				0	0
050	K5223-73130	LABEL ANTI-SCALP	1				0	0

**ACCESSORIES AND SERVICE PARTS  
ACCESSOIRES ET PIECES DE SERVICE  
SONTIGES ZUBEHOER UND SERVICE-TEILE**

TITLE-001-10



## ACCESSORIES AND SERVICE PARTS

↔ Interchangeable; ≠ not interchangeable; ← new for old; → old for new

REF.No	Part No.	Description	Q'ty	S.No.	I/C	REMARKS	Weight (kgf)	Weight (lb)
010	K5371-71112	OPERATOR'S MANUAL	1			ENGLISH	0.094	0.2068
010	K5371-71132	OPERATOR'S MANUAL CA	1			FRENCH	0	0