

Instructions for Parts Books

The heading at the top of the page will be the same for the picture of the parts as it is for the page with the part numbers.

Definition of column headings on part number pages:

REF.No → The number referring to the part on the picture page of the parts book.

Part No. → The number assigned to this part at the time of printing the parts book.

Description → Description of part.

Q'ty → Quantity of part used on that page.

S.No. → Serial number range of the equipment that this part will fit.

>= Your serial number should be greater than or equal to the number shown.

<= Your serial number should be lesser than or equal to the serial number shown.

I/C → Interchangeability of part shown.

↔ The part shown will work for the older and later serial number.

The part shown is not interchangeable with the other serial number.

← new for old

→ old for new

Remarks → Notes about this particular part. Sometimes this may say except [FR] or [CA]

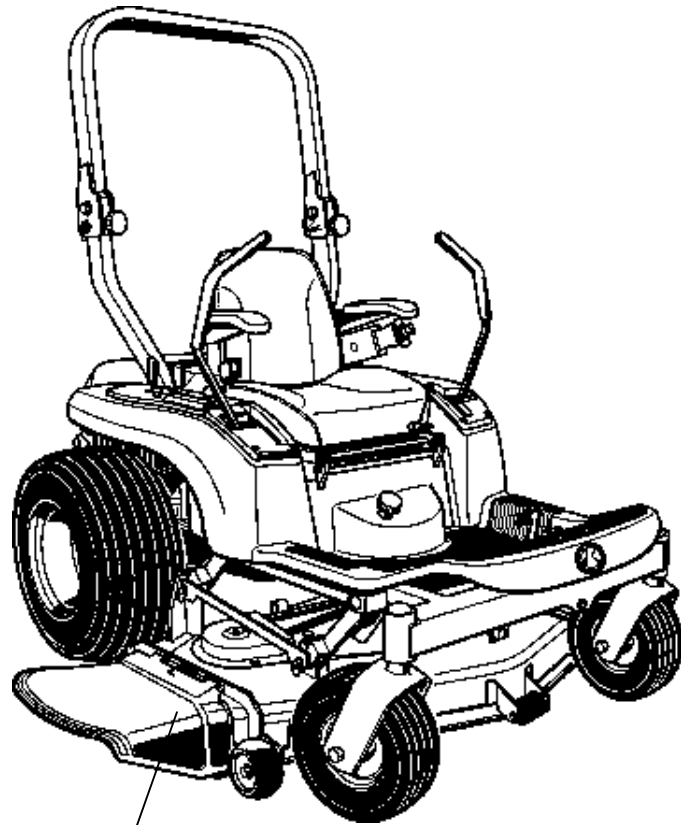
Note about Country Codes:

The parts books we use in the United States of America may also contain information about a part that would be different in another country. It is important that you are aware of the country codes in some instances.

Symbol	Country
A	United States of America
CA	Canada
FR	France
GR	Greece
PO	Portugal
AU	Australia

If the remarks column says for example EXCEPT [FR] this part works in all countries except France. That means it will work here in the USA.

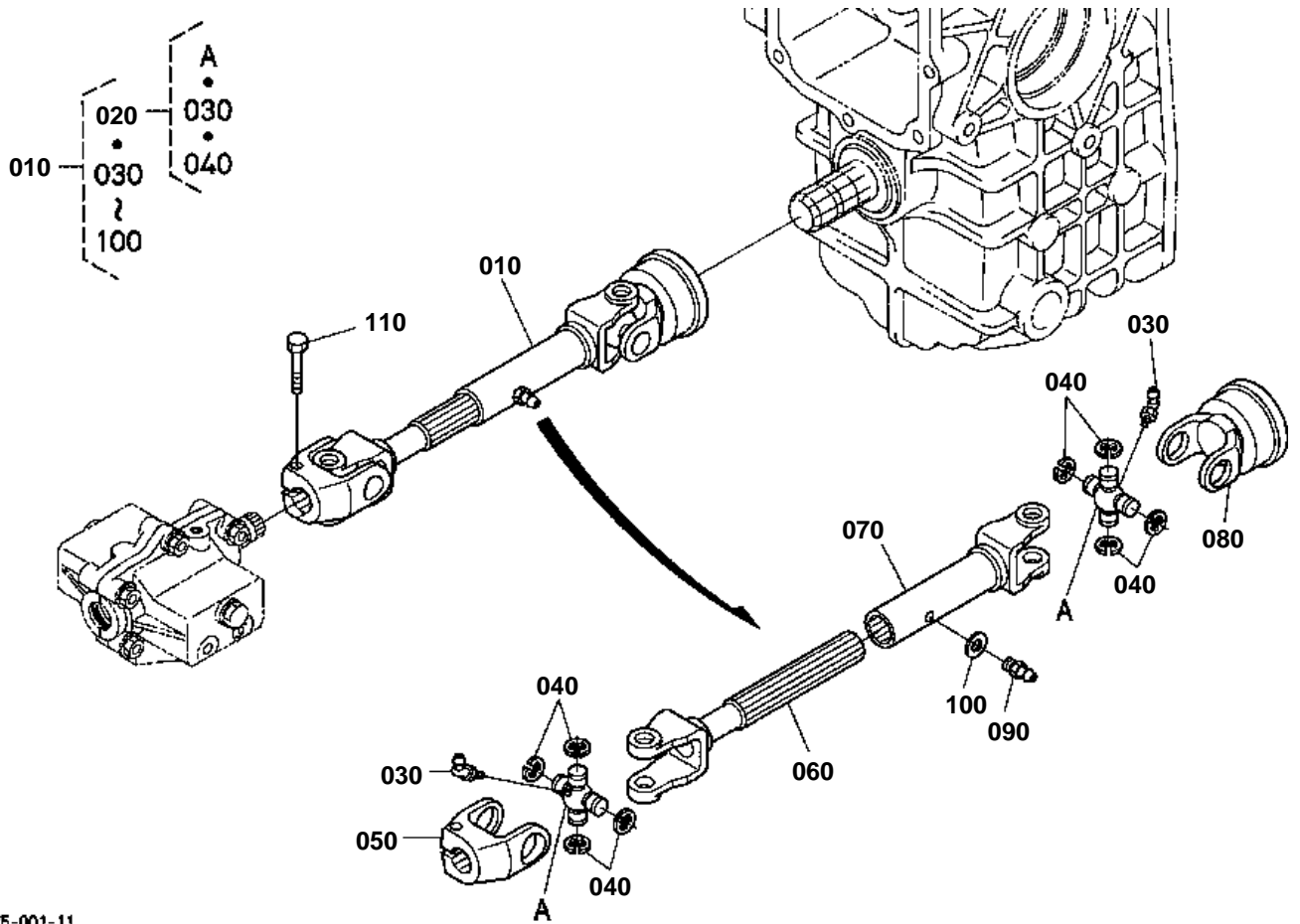
ALL PRODUCT INDEX
RCK48-20ZG



MOWER

Item	Part No.	Description	Book
MOWER	03T001	UNIVERSAL JOINT	100A0238
	03T004	BEVEL GEAR CASE	100A0238
	03T005	INPUT SHAFT/CENTER PULLEY	100A0238
	03T007	PULLEY HOLDER/BLADE	100A0238
	03T010	SIDE PULLEY/BLADE	100A0238
	03T013	TENSION PULLEY	100A0238
	03T10001	MOWER DECK	100A0238
	03T104	GAUGE WHEEL	100A0238
	03T109	DISCHARGE COVER	100A0238

UNIVERSAL JOINT



K5575-001-11

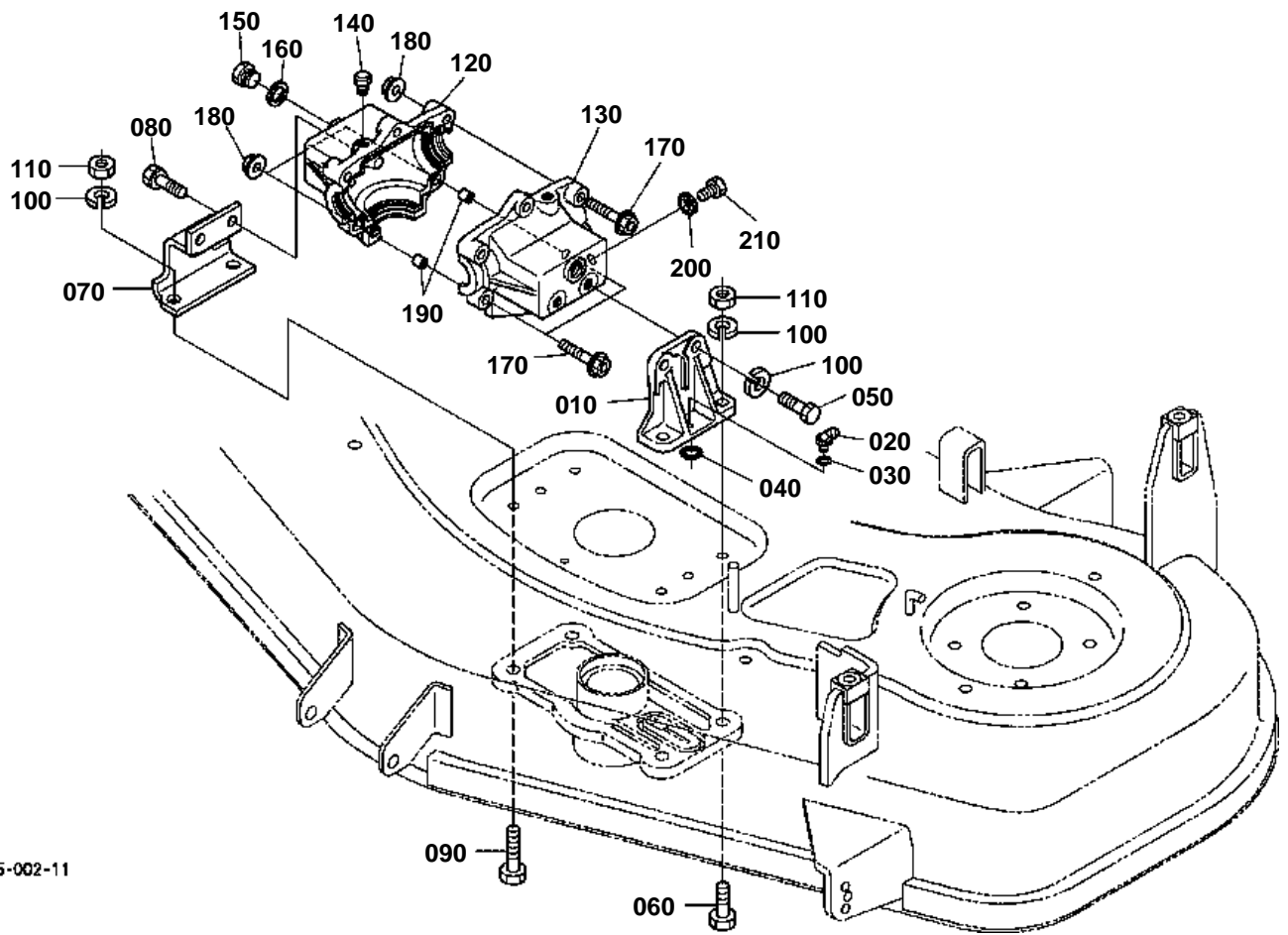


UNIVERSAL JOINT

↔ Interchangeable; ≠ not interchangeable; ← new for old; → old for new

REF.No	Part No.	Description	Q'ty	S.No.	I/C	REMARKS	Weight (kgf)	Weight (lb)
010	K5617-32030	JOINT UNIVERSAL	1				2.94	6.468
020	76539-31180	ASSY JOINT CROSS	2				0.2	0.44
030	76539-31210	NIPPLE GREASE	2				0.01	0.022
040	76539-32120	RING SNAP	8				0.003	0.0066
050	K5243-32120	YOKE JOINT PTO	1				0.35	0.77
060	K5460-31190	SHAFT JOINT	1				0.98	2.156
070	K5617-31200	YOKE JOINT	1				0.62	1.364
080	76539-31150	YOKE QUICK	1				0.55	1.21
090	67211-42940	NIPPLE GREASE	1				0.001	0.0022
100	04012-50060	WASHER PLAIN	1				0.001	0.0022
110	01123-50825	BOLT	1				0.013	0.0286

BEVEL GEAR CASE



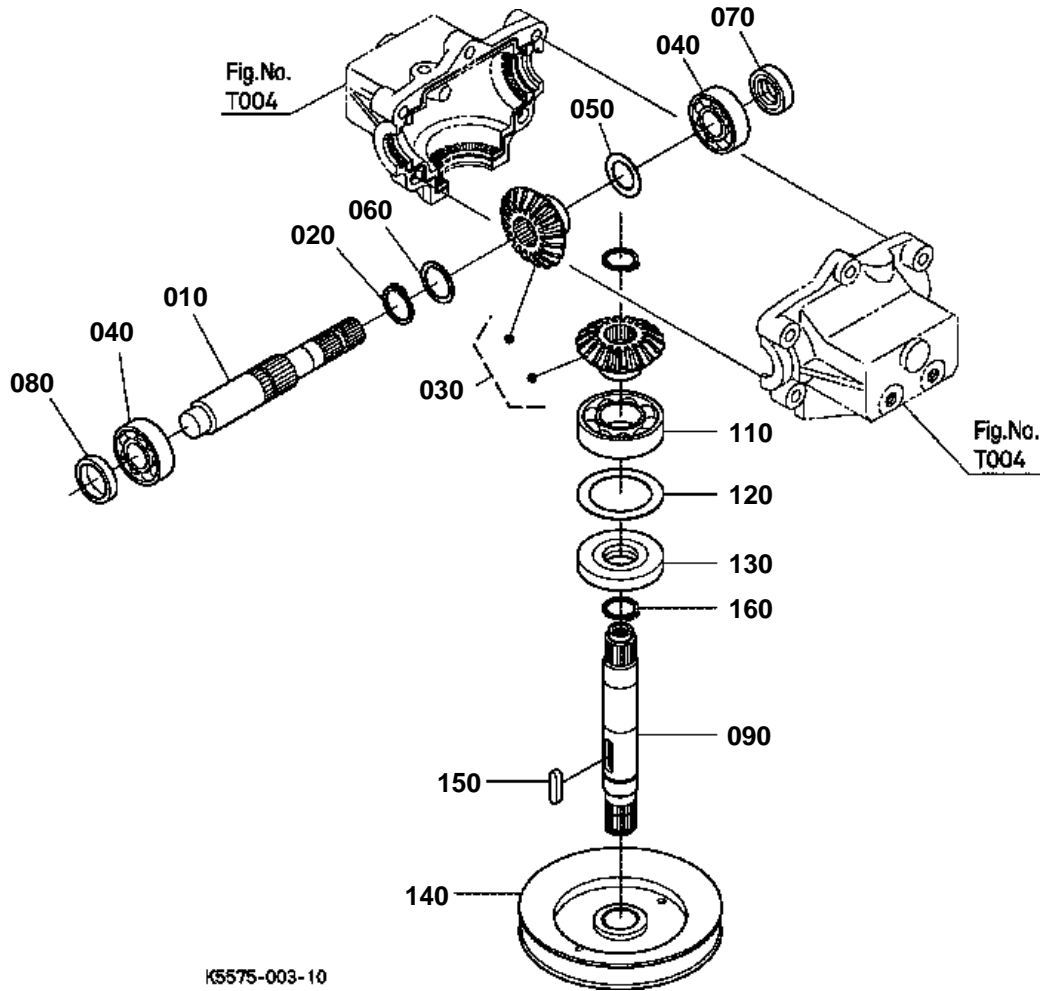
K5575-002-11

**BEVEL GEAR CASE**

↔ Interchangeable; ≠ not interchangeable; ← new for old; → old for new

REF.No	Part No.	Description	Q'ty	S.No.	I/C	REMARKS	Weight (kgf)	Weight (lb)
010	K5617-33130	STAY BEVEL CASE LH	1				0	0
020	K5763-44250	NIPPLE GREASE	1				0.01	0.022
030	K5763-27340	SHIM ADJUST	1				0.001	0.0022
040	04816-06120	O RING	1				0.002	0.0044
050	K5617-33220	REAMER BOLT	2				0.023	0.0506
060	K5617-33230	REAMER BOLT	2				0.031	0.0682
070	K5617-33150	STAY BEVEL CASE RH	1				0	0
080	01123-51025	BOLT	2				0.02	0.044
090	01173-51030	BOLT	2				0.023	0.0506
100	04512-60100	WASHER SPRING	6				0.002	0.0044
110	02118-50100	NUT	4				0.005	0.011
120	K5243-33112	CASE BEVEL GEAR RH	1				0.45	0.99
120	K5243-33112	CASE BEVEL GEAR RH	1				0.45	0.99
130	K5243-33132	CASE BEVEL GEAR LH	1	≤10004			0.45	0.99
130	K5243-33133	CASE BEVEL GEAR LH	1	≥10005	≠		0.45	0.99
140	K5761-33250	PLUG BREATHER	1				0.006	0.0132
150	06331-35016	PLUG	1				0.04	0.088
160	04724-00160	GASKET	1				0.003	0.0066
170	01754-50840	BOLT FLANGE	5				0.02	0.044
180	02751-50080	NUT FLANGE	5				0.006	0.0132
190	08511-00810	BUSH	2				0.003	0.0066
200	04717-00800	WASHER WITH RUBBER	1				0.001	0.0022
210	01153-50812	BOLT	1				0.008	0.0176

INPUT SHAFT/CENTER PULLEY



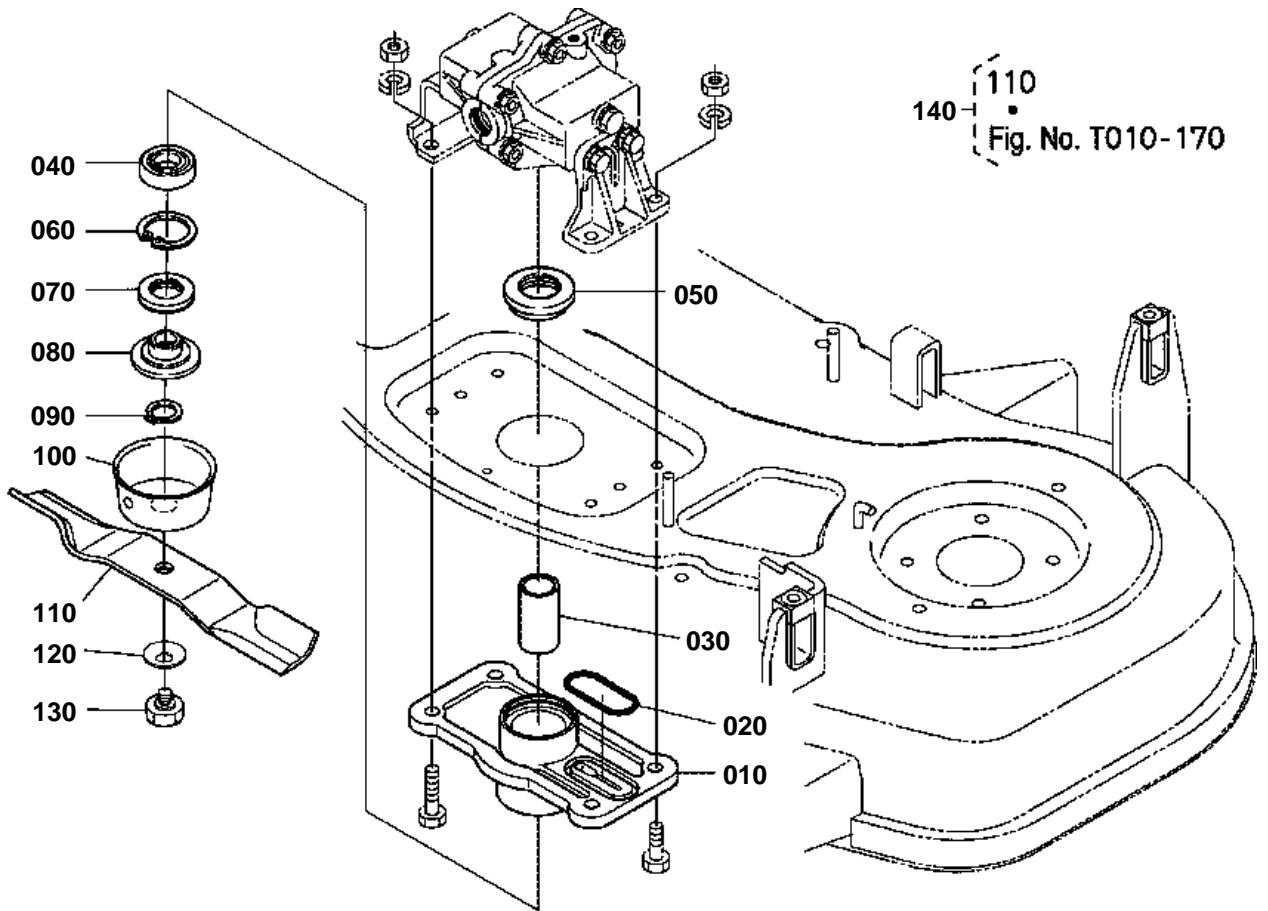


INPUT SHAFT/CENTER PULLEY

↔ Interchangeable; ≠ not interchangeable; ← new for old; → old for new

REF.No	Part No.	Description	Q'ty	S.No.	I/C	REMARKS	Weight (kgf)	Weight (lb)
010	K5243-33310	SHAFT INPUT	1				0.52	1.144
020	04612-00250	CIR CLIP EXTERNAL	1				0.002	0.0044
030	K5575-33370	KIT GEAR BEVEL	1				0.4	0.88
040	08101-06204	BEARING BALL	2				0.102	0.2244
050	13621-16720	SHIM CAMSHAFT	1			0.2mm	0.001	0.0022
050	13621-16640	SHIM CAMSHAFT	1			0.3mm	0.001	0.0022
060	13621-23720	SHIM CRANKSHAFT	1			0.2mm	0.001	0.0022
060	13621-23640	SHIM CRANKSHAFT	1			0.3mm	0.002	0.0044
070	09500-20357	SEAL OIL	1				0.01	0.022
080	31351-16610	PLUG	1				0.015	0.033
090	K5617-33503	SHAFT BEVEL GEAR	1				0.6	1.32
100	04612-00220	CIR CLIP EXTERNAL	1				0.001	0.0022
110	08101-06206	BEARING BALL	1				0.196	0.4312
120	66621-15240	SHIM DIFF.GEAR SHAFT	1			0.2mm	0.001	0.0022
120	67211-14990	SHIM DIFF.GEAR SHAFT	1			0.3mm	0.002	0.0044
130	09400-25457	SEAL OIL	1				0.015	0.033
140	K5617-33530	PULLEY CENTER	1				0.92	2.024
150	05712-00728	KEY FEATHER	1				0.01	0.022
160	04612-00250	CIR CLIP EXTERNAL	1				0.002	0.0044

PULLEY HOLDER/BLADE



K5575-004-12

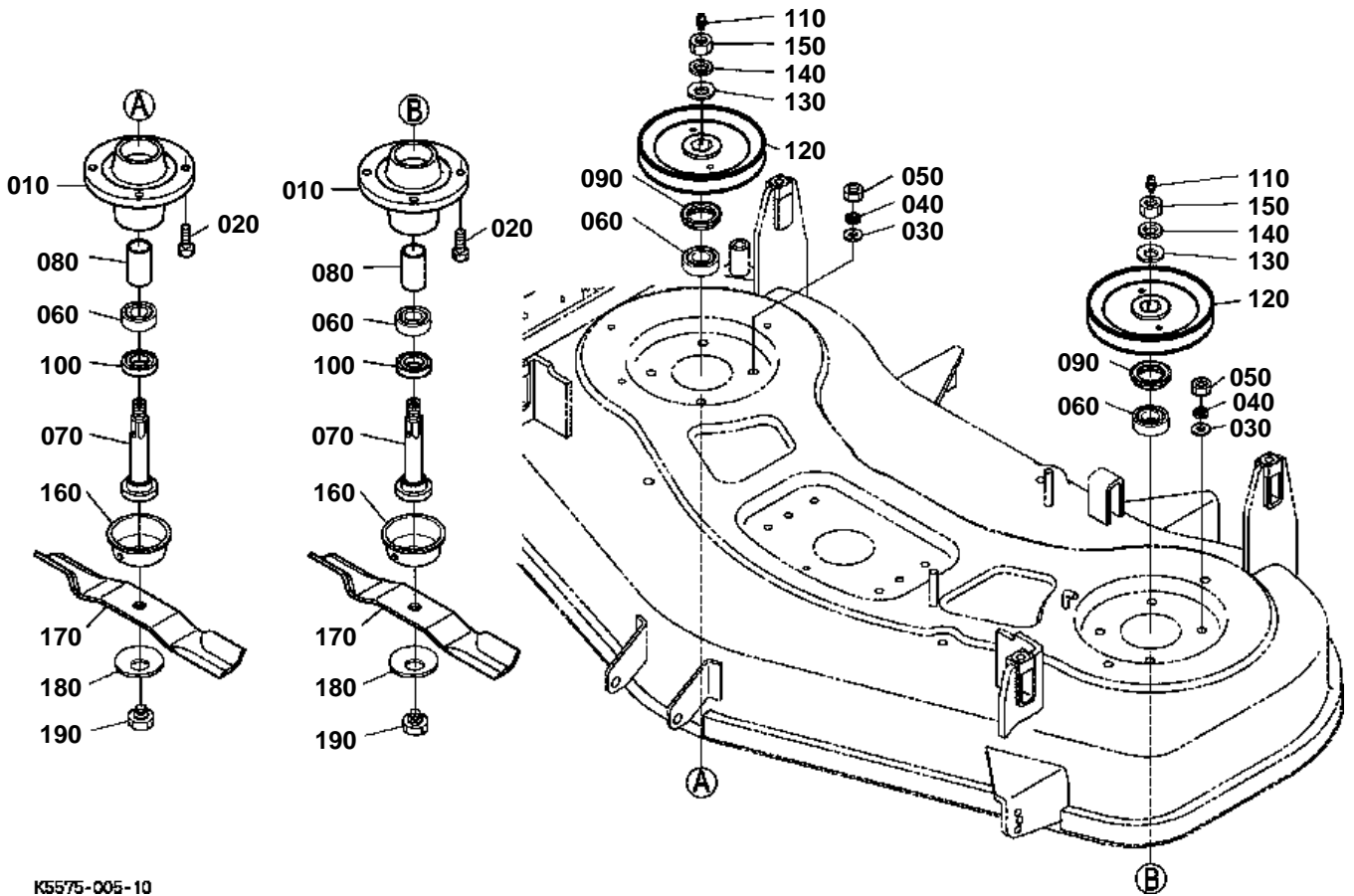


PULLEY HOLDER/BLADE

↔ Interchangeable; ≠ not interchangeable; ← new for old; → old for new

REF.No	Part No.	Description	Q'ty	S.No.	I/C	REMARKS	Weight (kgf)	Weight (lb)
010	K5617-34112	HOLDER CENTER PULLEY	1				0	0
020	04816-00500	O RING	1				0.003	0.0066
030	K5617-33520	COLLAR	1				0	0
040	08101-06205	BEARING BALL	1				0.14	0.308
050	70722-34120	OIL SEAL UPPER	1				0.025	0.055
060	04611-00520	CIR CLIP INTERNAL	1				0.009	0.0198
070	70725-34162	OIL SEAL LOWER	1				0.024	0.0528
080	K5761-34152	BOSS SPLINE	1				0.28	0.616
090	04612-00180	CIR CLIP EXTERNAL	1				0.001	0.0022
100	K5617-34310	COVER DUST	1				0.15	0.33
110	K5575-34330	BLADE	1				1.28	2.816
120	K5112-71330	SPRING PLATE	1				0.04	0.088
130	K5700-34370	BOLT BLADE	1				0.09	0.198
140	K5575-97530	KIT BLADE	1				0	0

SIDE PULLEY/BLADE



K5575-005-10

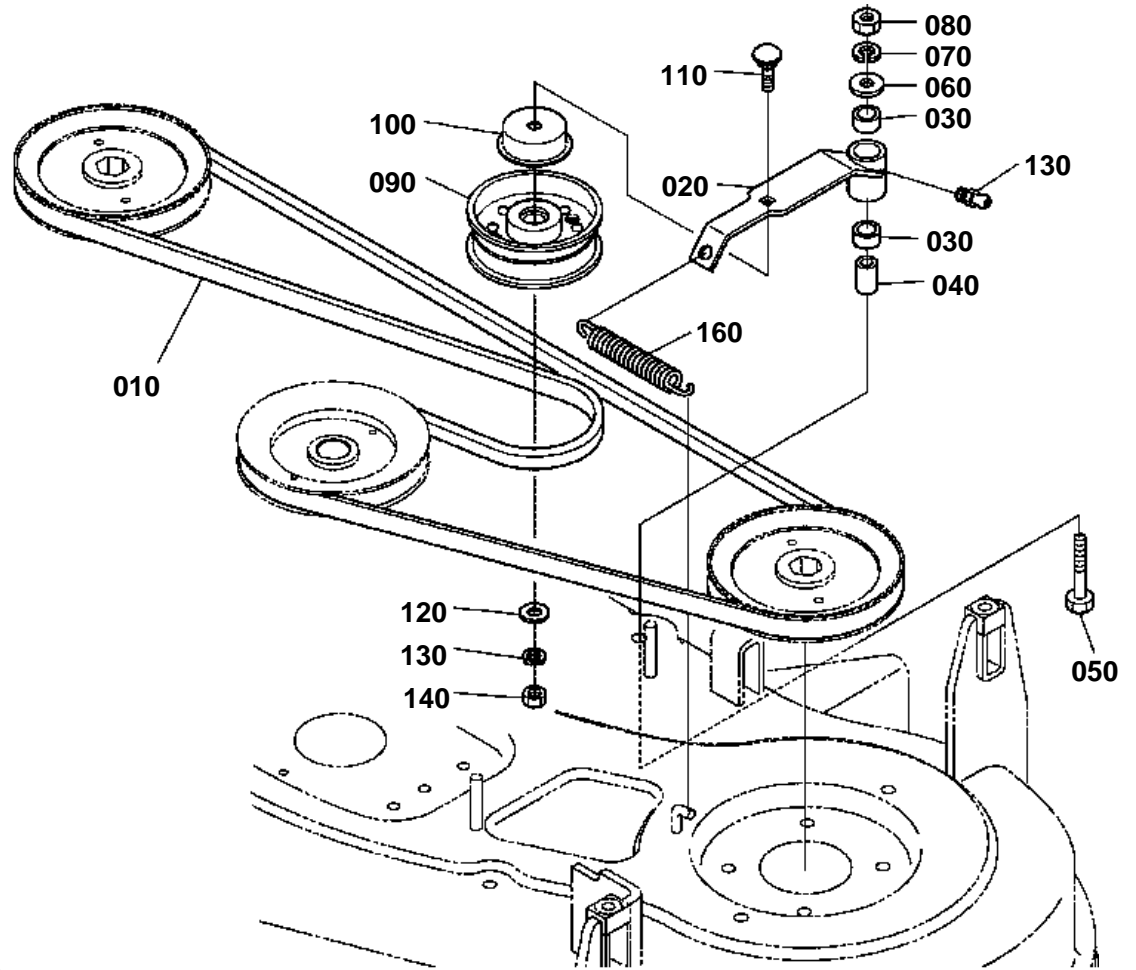


SIDE PULLEY/BLADE

↔ Interchangeable; ≠ not interchangeable; ← new for old; → old for new

REF.No	Part No.	Description	Q'ty	S.No.	I/C	REMARKS	Weight (kgf)	Weight (lb)
010	K5617-34510	HOLDER PULLEY SIDE	2				0	0
020	01173-51030	BOLT	8	≤=10004			0.023	0.0506
020	01173-51025	BOLT	8	≥=10005	≠		0.021	0.0462
030	04015-50100	WASHER PLAIN	8				0.016	0.0352
040	04512-60100	WASHER SPRING	8				0.002	0.0044
050	02118-50100	NUT	8				0.005	0.011
060	08101-06205	BEARING BALL	4				0.14	0.308
070	K5617-34550	SHAFT BLADE	2				0	0
080	K5617-71130	COLLAR	2				0	0
090	70722-34120	OIL SEAL UPPER	2				0.025	0.055
100	70725-34162	OIL SEAL LOWER	2				0.024	0.0528
110	K1122-15150	NIPPLE GREASE	2				0.002	0.0044
120	K5221-71140	PULLEY BLADE SIDE	2				0.741	1.6302
130	04013-50180	WASHER PLAIN	2				0.015	0.033
140	04512-60180	WASHER SPRING	2				0.02	0.044
150	02174-50180	NUT	2				0.029	0.0638
160	K5617-34310	COVER DUST	2				0.15	0.33
170	K5575-34330	BLADE	2				1.28	2.816
180	K5112-71330	SPRING PLATE	2				0.04	0.088
190	K5700-34370	BOLT BLADE	2				0.09	0.198

TENSION PULLEY



K5575-006-10

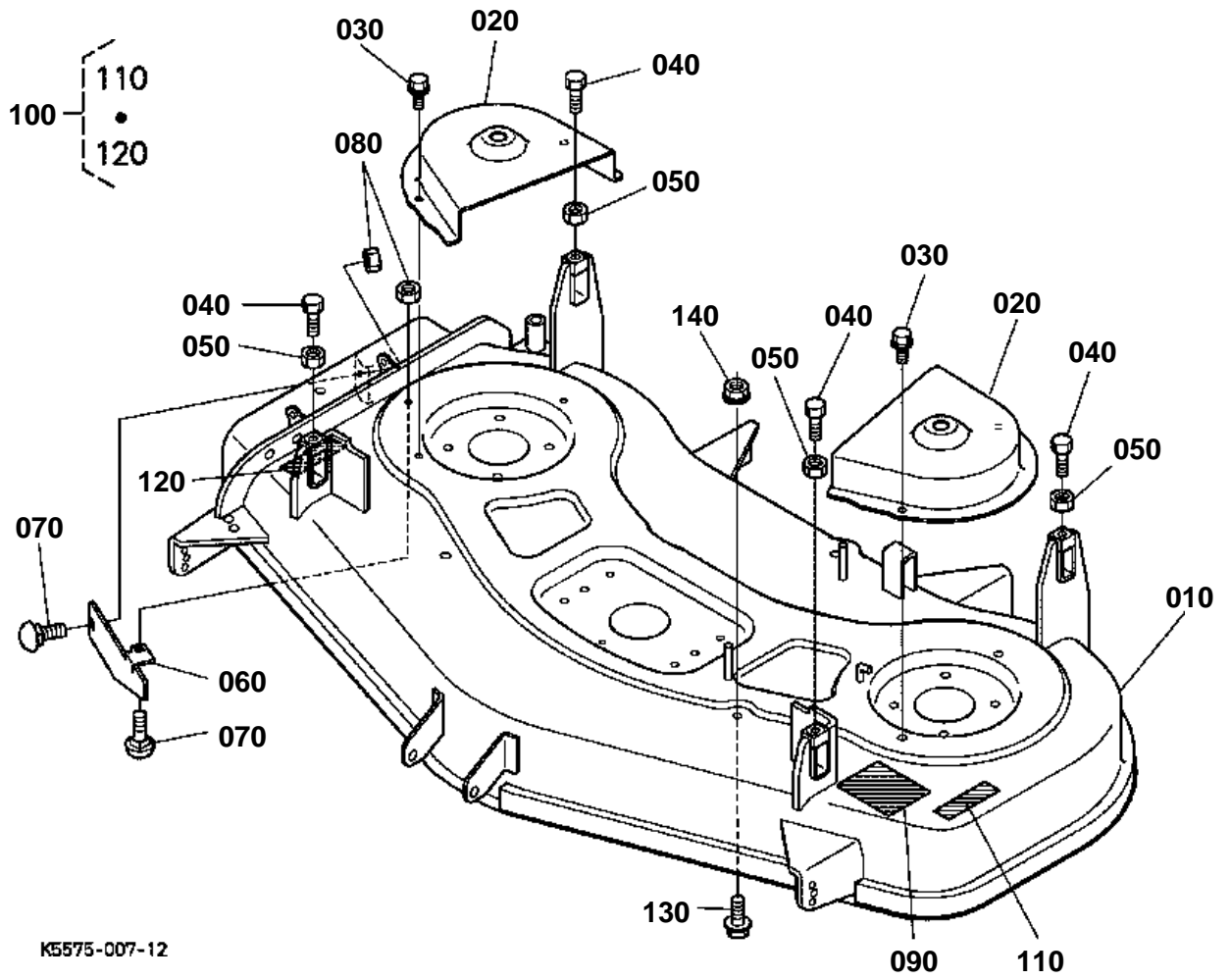


TENSION PULLEY

↔ Interchangeable; ≠ not interchangeable; ← new for old; → old for new

REF.No	Part No.	Description	Q'ty	S.No.	I/C	REMARKS	Weight (kgf)	Weight (lb)
010	K5201-71410	BELT MOWER	1				0.4	0.88
020	K5617-34730	ARM	1				0	0
030	K5651-20150	BUSHING TENSION	2				0.017	0.0374
040	K5651-34780	COLLAR TENSION	1				0.055	0.121
050	01173-51270	BOLT	1				0.067	0.1474
060	75599-32015	WASHER PLAIN	1				0.01	0.022
070	04512-60120	WASHER SPRING	1				0.005	0.011
080	02174-50120	NUT	1				0.01	0.022
090	K5112-71650	PULLEY TENSION	1				0.53	1.166
100	K5617-34790	COVER TENSION	1				0	0
110	0Y169-50628	BOLT SHORT SQU.NECK	1				0.032	0.0704
120	04013-60100	WASHER PLAIN	1				0.003	0.0066
130	75599-33013	WASHER SPRING	1				0.006	0.0132
140	75599-31023	NUT	1				0.006	0.0132
150	K1122-15150	NIPPLE GREASE	1				0.002	0.0044
160	K5763-34750	SPRING TENSION	1				0.17	0.374

MOWER DECK



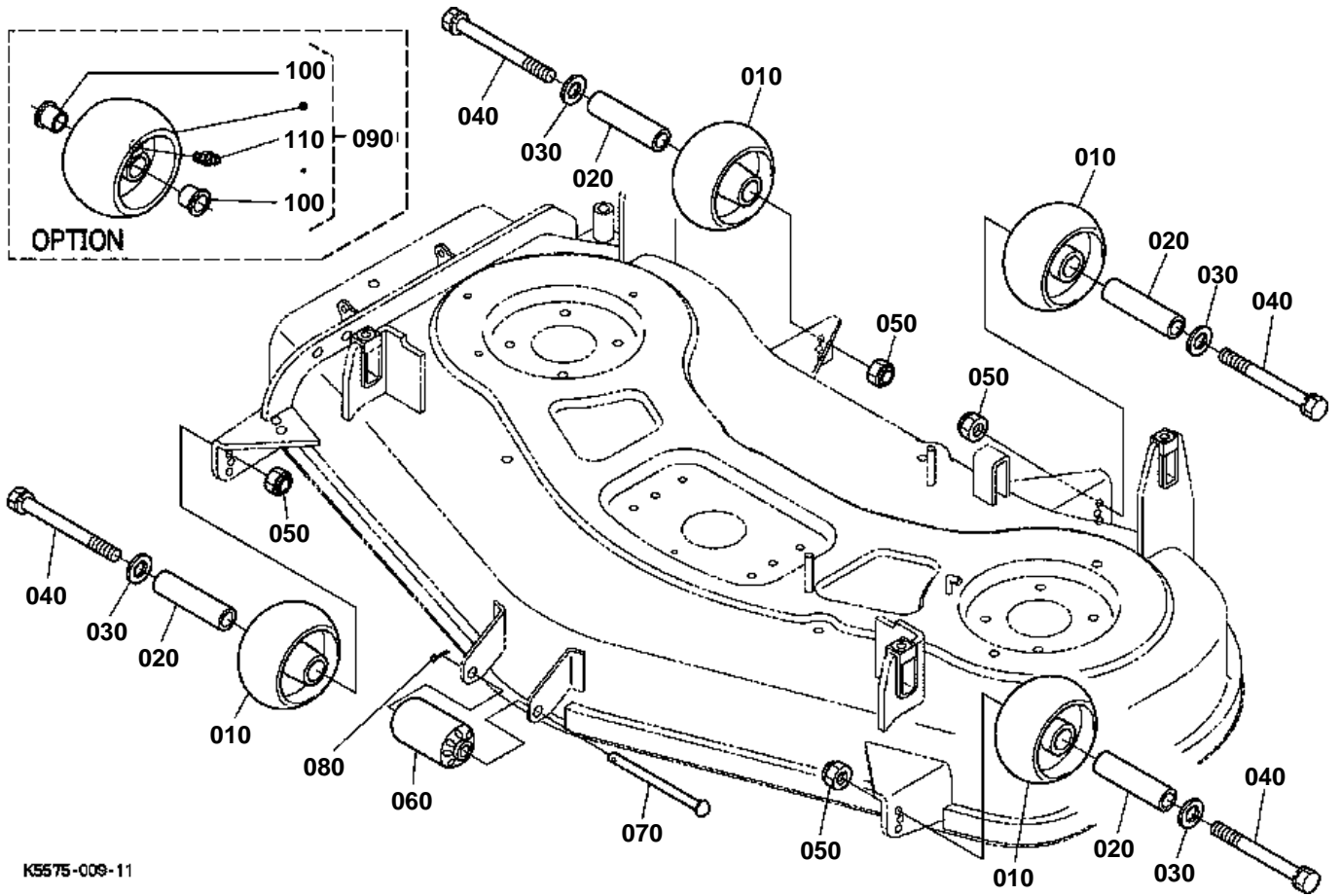
K5575-007-12

**MOWER DECK**

↔ Interchangeable; ≠ not interchangeable; ← new for old; → old for new

REF.No	Part No.	Description	Q'ty	S.No.	I/C	REMARKS	Weight (kgf)	Weight (lb)
010	K5575-42100	ASSY DECK MOWER	1				0	0
020	K5617-41200	COVER	2				0	0
030	01754-50816	BOLT FLANGE	4				0.011	0.0242
040	K5645-41910	BOLT ADJUSTER	4				0.05	0.11
050	02174-50120	NUT	4				0.01	0.022
060	K5575-41400	BAFFLE DISCHARGE	1				0	0
070	K1122-91320	BOLT SHORT SQU.NECK	2				0.01	0.022
080	02121-50080	NUT	2				0.01	0.022
090	K5617-73130	LABEL ANTI-SCALP	1			ENGLISH	0	0
090	K3216-73130	LABEL ANTI-SCALP	1			FRENCH	0	0
100	K5617-73140	LABEL MOWER	1			ENGLISH	0.001	0.0022
100	K3216-73140	LABEL MOWER	1			FRENCH	0	0
110	K5617-73110	LABEL DANGER	1			ENGLISH/ORDER BY REF.NO.100	0	0
110	K3216-73110	LABEL DANGER	1			FRENCH/ORDER BY REF.NO.100	0	0
120	K5617-73120	LABEL DANGER	1			ENGLISH/ORDER BY REF.NO.100	0	0
120	K3216-73120	LABEL DANGER	1			FRENCH/ORDER BY REF.NO.100	0	0
130	01774-51016	BOLT FLANGE	2				0.02	0.044
140	02131-50100	NUT	2				0.01	0.022

GAUGE WHEEL



K5575-009-11

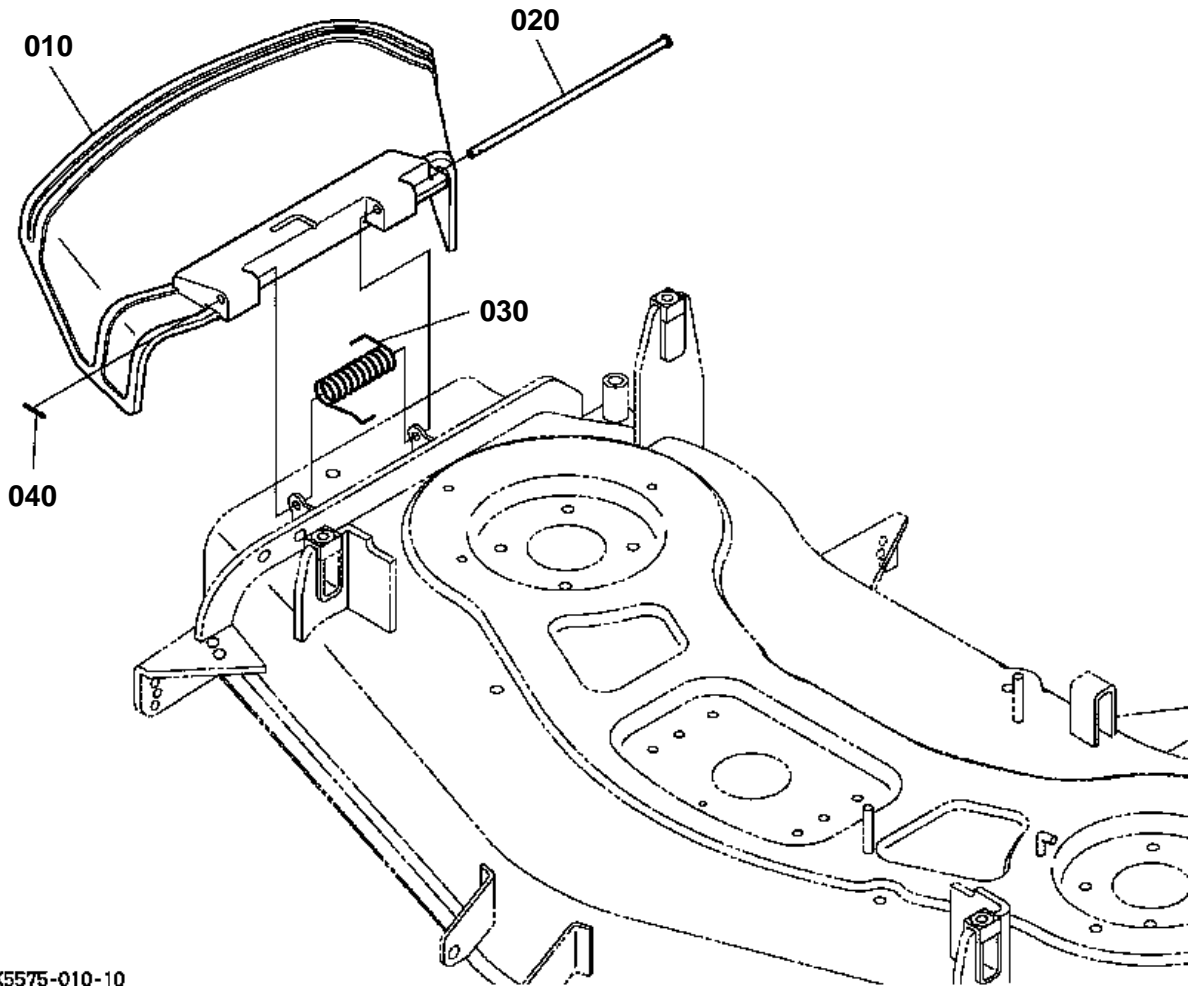


GAUGE WHEEL

↔ Interchangeable; ≠ not interchangeable; ← new for old; → old for new

REF.No	Part No.	Description	Q'ty	S.No.	I/C	REMARKS	Weight (kgf)	Weight (lb)
010	K5371-42110	GAUGE WHEEL	4				0.46	1.012
020	K5617-72660	BOSS GAUGE WHEEL	4				0	0
030	04015-50100	WASHER PLAIN	4				0.016	0.0352
040	01133-51090	BOLT	4				0.056	0.1232
050	02574-50100	NUT LOCK	4				0.007	0.0154
060	K5112-72420	ROLLER ANTI-SCALP	1				0.15	0.33
070	K5112-72650	PIN GAUGE	1				0.3	0.66
080	75599-53173	PIN COTTER	2				0.002	0.0044
090	K5351-42110	ROLLER ANTI-SCALP	1				0	0
100	K5351-44190	BUSH	2				0	0
110	75599-81520	FITTING GREASE	1				0.003	0.0066

DISCHARGE COVER



K5575-010-10



DISCHARGE COVER

↔ Interchangeable; ≠ not interchangeable; ← new for old; → old for new

REF.No	Part No.	Description	Q'ty	S.No.	I/C	REMARKS	Weight (kgf)	Weight (lb)
010	K5617-47110	COVER DISCHARGE	1				0	0
020	K5617-47150	PIN COVER	1				0	0
030	K5112-72130	SPRING COVER	1				0.05	0.11
040	75599-53152	PIN COTTER	1				0.001	0.0022