

# Instructions for Parts Books

The heading at the top of the page will be the same for the picture of the parts as it is for the page with the part numbers.

Definition of column headings on part number pages:

**REF.No** → The number referring to the part on the picture page of the parts book.

**Part No.** → The number assigned to this part at the time of printing the parts book.

**Description** → Description of part.

**Q'ty** → Quantity of part used on that page.

**S.No.** → Serial number range of the equipment that this part will fit.

>= Your serial number should be greater than or equal to the number shown.

<= Your serial number should be lesser than or equal to the serial number shown.

**I/C** → Interchangeability of part shown.

↔ The part shown will work for the older and later serial number.

# The part shown is not interchangeable with the other serial number.

← new for old

→ old for new

**Remarks** → Notes about this particular part. Sometimes this may say except [FR] or [CA]

## Note about Country Codes:

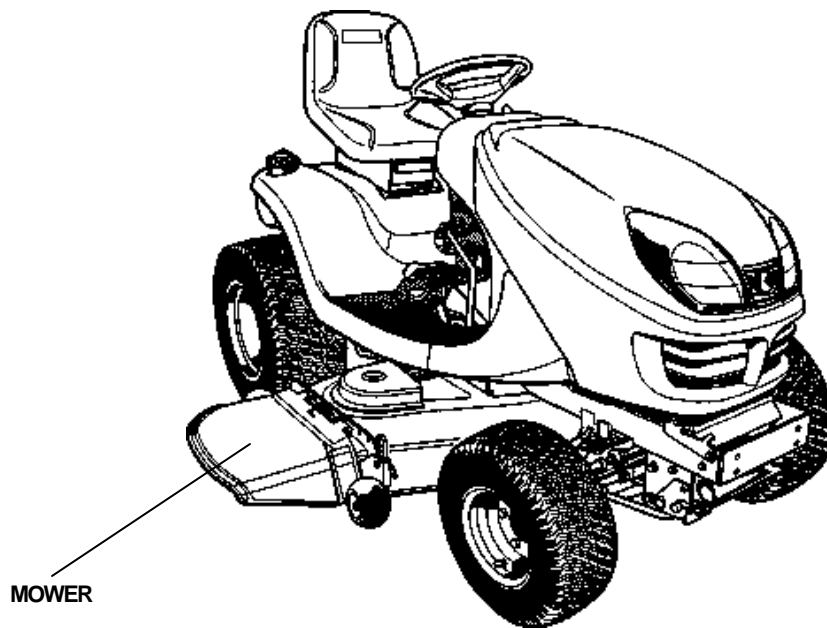
The parts books we use in the United States of America may also contain information about a part that would be different in another country. It is important that you are aware of the country codes in some instances.

| Symbol | Country                  |
|--------|--------------------------|
| A      | United States of America |
| CA     | Canada                   |
| FR     | France                   |
| GR     | Greece                   |
| PO     | Portugal                 |
| AU     | Australia                |

If the remarks column says for example EXCEPT [FR] this part works in all countries except France. That means it will work here in the USA.

ALL PRODUCT INDEX  
RCK54GR

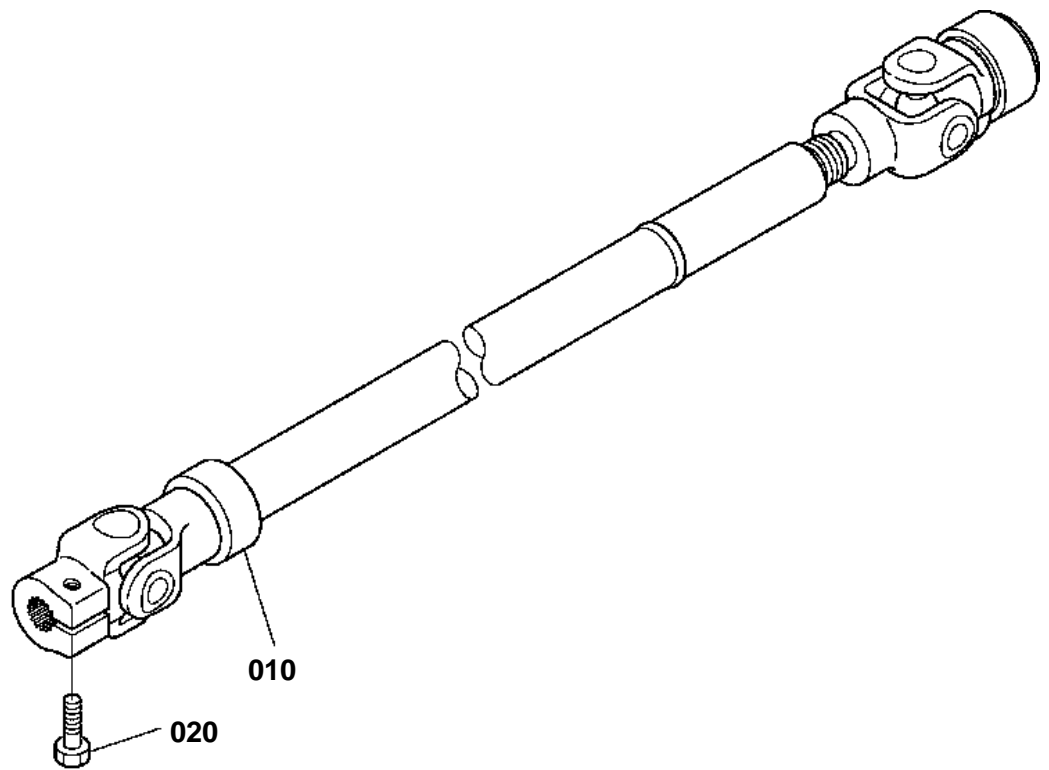
---



| Item  | Part No. | Description                 | Book     |
|-------|----------|-----------------------------|----------|
| MOWER | 03H001   | UNIVERSAL JOINT             | 100A0268 |
|       | 03H010   | BEVEL GEAR CASE             | 100A0268 |
|       | 03H015   | INPUT SHAFT/CENTER PULLEY   | 100A0268 |
|       | 03H020   | PULLEY HOLDER/BLADE(CENTER) | 100A0268 |
|       | 03H030   | PULLEY HOLDER/BLADE(LEFT)   | 100A0268 |
|       | 03H100   | TENSION PULLEY/MOWER BELT   | 100A0268 |
|       | 03H200   | MOWER DECK AND COVER        | 100A0268 |
|       | 03H300   | GAUGE WHEEL                 | 100A0268 |
|       | 03H500   | FRONT LINK LEVER            | 100A0268 |
|       | 03H800   | MOWER LABEL                 | 100A0268 |

UNIVERSAL JOINT

---



K5231-001-10

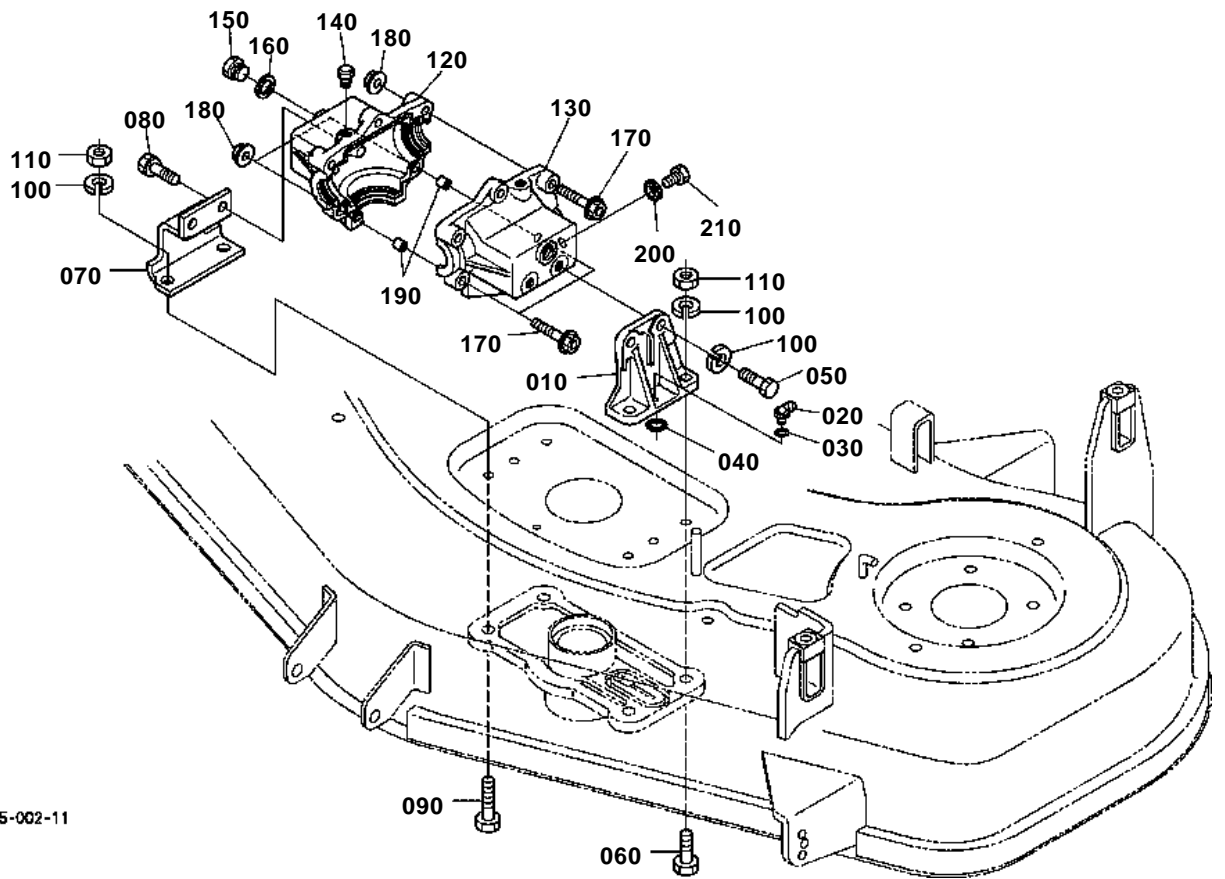


# UNIVERSAL JOINT

↔ Interchangeable; ≠ not interchangeable; ← new for old; → old for new

| REF.No | Part No.    | Description          | Q'ty | S.No. | I/C | REMARKS | Weight (kgf) | Weight (lb) |
|--------|-------------|----------------------|------|-------|-----|---------|--------------|-------------|
| 010    | K5273-32030 | ASSY JOINT UNIVERSAL | 1    |       |     |         | 0            | 0           |
| 020    | 01123-50825 | BOLT                 | 1    |       |     |         | 0.013        | 0.0286      |

BEVEL GEAR CASE



K5575-002-11

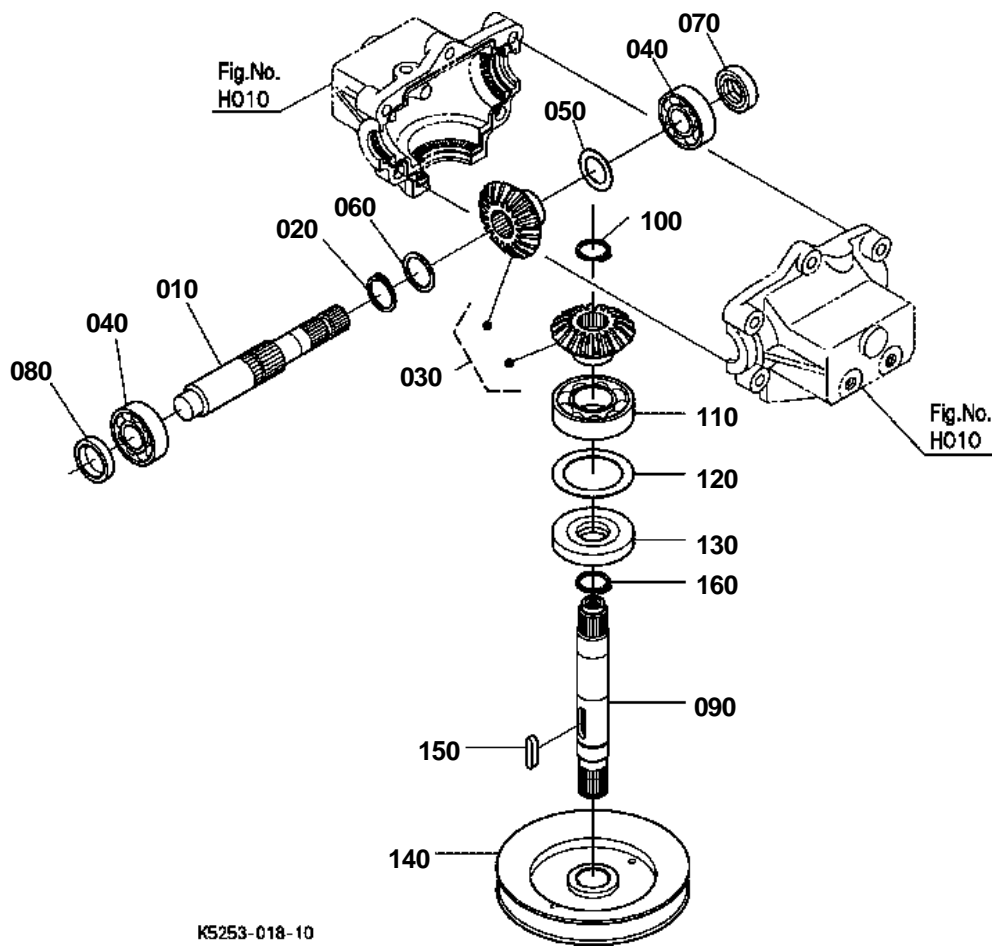


## BEVEL GEAR CASE

↔ Interchangeable; ≠ not interchangeable; ← new for old; → old for new

| REF.No | Part No.    | Description        | Q'ty | S.No. | I/C | REMARKS | Weight (kgf) | Weight (lb) |
|--------|-------------|--------------------|------|-------|-----|---------|--------------|-------------|
| 010    | K5617-33130 | STAY BEVEL CASE LH | 1    |       |     |         | 0            | 0           |
| 020    | K5763-44250 | NIPPLE GREASE      | 1    |       |     |         | 0.01         | 0.022       |
| 030    | K5763-27340 | SHIM ADJUST        | 1    |       |     |         | 0.001        | 0.0022      |
| 040    | 04816-06120 | O RING             | 1    |       |     |         | 0.002        | 0.0044      |
| 050    | K5617-33220 | REAMER BOLT        | 2    |       |     |         | 0.023        | 0.0506      |
| 060    | K5617-33230 | REAMER BOLT        | 2    |       |     |         | 0.031        | 0.0682      |
| 070    | K5617-33150 | STAY BEVEL CASE RH | 1    |       |     |         | 0            | 0           |
| 080    | 01123-51025 | BOLT               | 2    |       |     |         | 0.02         | 0.044       |
| 090    | 01173-51030 | BOLT               | 2    |       |     |         | 0.023        | 0.0506      |
| 100    | 04512-60100 | WASHER SPRING      | 6    |       |     |         | 0.002        | 0.0044      |
| 110    | 02118-50100 | NUT                | 4    |       |     |         | 0.005        | 0.011       |
| 120    | K5243-33112 | CASE BEVEL GEAR RH | 1    |       |     |         | 0.45         | 0.99        |
| 130    | K5243-33133 | CASE BEVEL GEAR LH | 1    |       |     |         | 0.45         | 0.99        |
| 140    | K5761-33250 | PLUG BREATHER      | 1    |       |     |         | 0.006        | 0.0132      |
| 150    | 06331-35016 | PLUG               | 1    |       |     |         | 0.04         | 0.088       |
| 160    | 04724-00160 | GASKET             | 1    |       |     |         | 0.003        | 0.0066      |
| 170    | 01754-50840 | BOLT FLANGE        | 5    |       |     |         | 0.02         | 0.044       |
| 180    | 02751-50080 | NUT FLANGE         | 5    |       |     |         | 0.006        | 0.0132      |
| 190    | 08511-00810 | BUSH               | 2    |       |     |         | 0.003        | 0.0066      |
| 200    | 04717-00800 | WASHER WITH RUBBER | 1    |       |     |         | 0.001        | 0.0022      |
| 210    | 01153-50812 | BOLT               | 1    |       |     |         | 0.008        | 0.0176      |

INPUT SHAFT/CENTER PULLEY





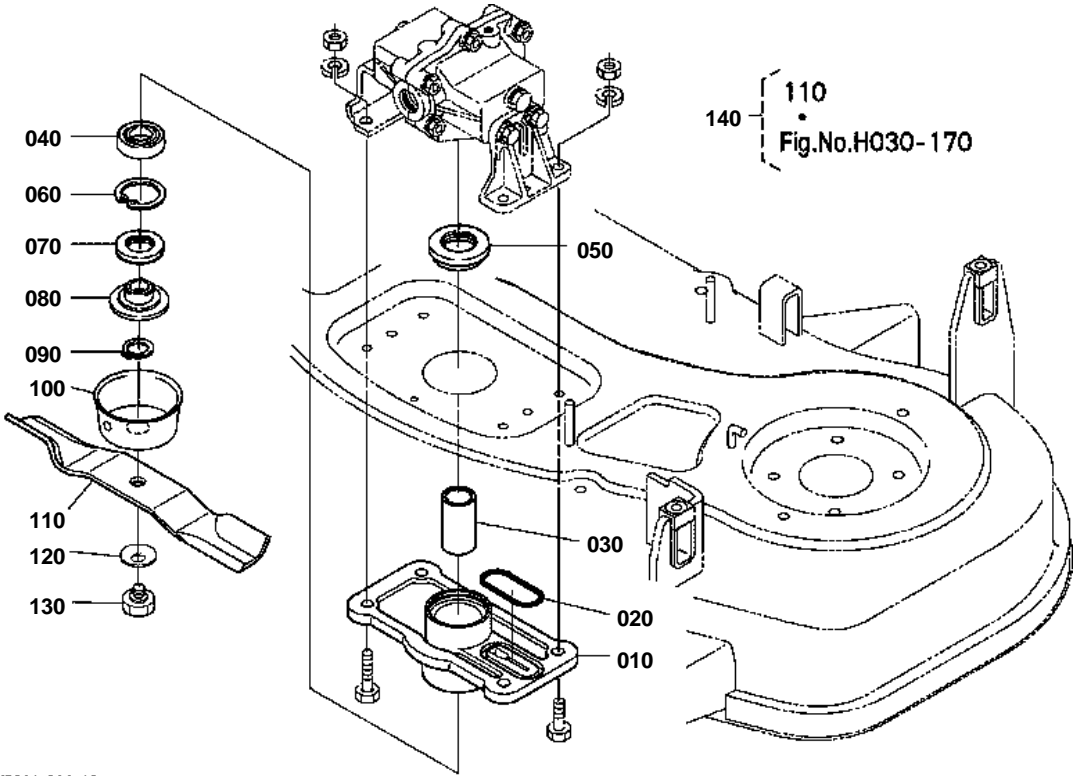


# INPUT SHAFT/CENTER PULLEY

↔ Interchangeable; ≠ not interchangeable; ← new for old; → old for new

| REF.No | Part No.    | Description          | Q'ty | S.No. | I/C | REMARKS | Weight (kgf) | Weight (lb) |
|--------|-------------|----------------------|------|-------|-----|---------|--------------|-------------|
| 010    | K5243-33310 | SHAFT INPUT          | 1    |       |     |         | 0.52         | 1.144       |
| 020    | 04612-00250 | CIR CLIP EXTERNAL    | 1    |       |     |         | 0.002        | 0.0044      |
| 030    | K5617-33370 | KIT GEAR BEVEL       | 1    |       |     |         | 0.53         | 1.166       |
| 040    | 08101-06204 | BEARING BALL         | 2    |       |     |         | 0.102        | 0.2244      |
| 050    | 13621-16720 | SHIM CAMSHAFT        | 1    |       |     |         | 0.001        | 0.0022      |
| 050    | 13621-16640 | SHIM CAMSHAFT        | 1    |       |     |         | 0.001        | 0.0022      |
| 060    | 13621-23720 | SHIM CRANKSHAFT      | 1    |       |     |         | 0.001        | 0.0022      |
| 060    | 13621-23640 | SHIM CRANKSHAFT      | 1    |       |     |         | 0.002        | 0.0044      |
| 070    | 09500-20357 | SEAL OIL             | 1    |       |     |         | 0.01         | 0.022       |
| 080    | 31351-16610 | PLUG                 | 1    |       |     |         | 0.015        | 0.033       |
| 090    | K5617-33503 | SHAFT BEVEL GEAR     | 1    |       |     |         | 0.6          | 1.32        |
| 100    | 04612-00220 | CIR CLIP EXTERNAL    | 1    |       |     |         | 0.001        | 0.0022      |
| 110    | 08101-06206 | BEARING BALL         | 1    |       |     |         | 0.196        | 0.4312      |
| 120    | 66621-15240 | SHIM DIFF.GEAR SHAFT | 1    |       |     |         | 0.001        | 0.0022      |
| 120    | 67211-14990 | SHIM DIFF.GEAR SHAFT | 1    |       |     |         | 0.002        | 0.0044      |
| 130    | 09400-25457 | SEAL OIL             | 1    |       |     |         | 0.015        | 0.033       |
| 140    | K5617-33530 | PULLEY CENTER        | 1    |       |     |         | 0.92         | 2.024       |
| 150    | 05712-00728 | KEY FEATHER          | 1    |       |     |         | 0.01         | 0.022       |
| 160    | 04612-00250 | CIR CLIP EXTERNAL    | 1    |       |     |         | 0.002        | 0.0044      |

PULLEY HOLDER/BLADE(CENTER)



K5231-006-10

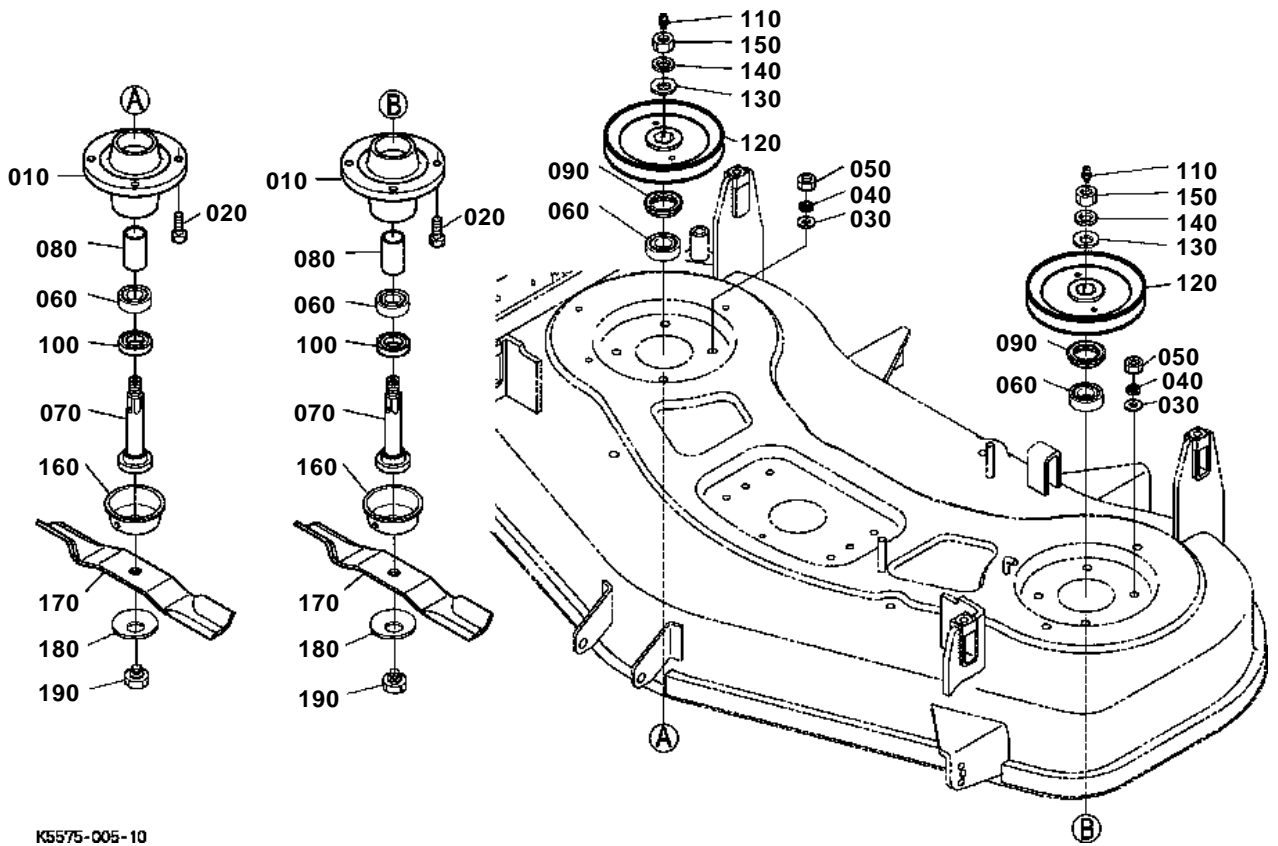


PULLEY HOLDER/BLADE(CENTER)

↔ Interchangeable; ≠ not interchangeable; ← new for old; → old for new

| REF.No | Part No.    | Description          | Q'ty | S.No. | I/C | REMARKS | Weight (kgf) | Weight (lb) |
|--------|-------------|----------------------|------|-------|-----|---------|--------------|-------------|
| 010    | K5617-34112 | HOLDER CENTER PULLEY | 1    |       |     |         | 0            | 0           |
| 020    | 04816-00500 | O RING               | 1    |       |     |         | 0.003        | 0.0066      |
| 030    | K5617-33520 | COLLAR               | 1    |       |     |         | 0            | 0           |
| 040    | 08101-06205 | BEARING BALL         | 1    |       |     |         | 0.14         | 0.308       |
| 050    | 70722-34120 | OIL SEAL UPPER       | 1    |       |     |         | 0.025        | 0.055       |
| 060    | 04611-00520 | CIR CLIP INTERNAL    | 1    |       |     |         | 0.009        | 0.0198      |
| 070    | 70725-34162 | OIL SEAL LOWER       | 1    |       |     |         | 0.024        | 0.0528      |
| 080    | K5761-34152 | BOSS SPLINE          | 1    |       |     |         | 0.28         | 0.616       |
| 090    | 04612-00180 | CIR CLIP EXTERNAL    | 1    |       |     |         | 0.001        | 0.0022      |
| 100    | K5617-34310 | COVER DUST           | 1    |       |     |         | 0.15         | 0.33        |
| 110    | K5617-34330 | BLADE                | 1    |       |     |         | 4.3          | 9.46        |
| 120    | K5112-71330 | SPRING PLATE         | 1    |       |     |         | 0.04         | 0.088       |
| 130    | K5700-34370 | BOLT BLADE           | 1    |       |     |         | 0.09         | 0.198       |
| 140    | K5617-97530 | KIT BLADE            | 1    |       |     |         | 0            | 0           |

PULLEY HOLDER/BLADE(LEFT)



K5575-005-10

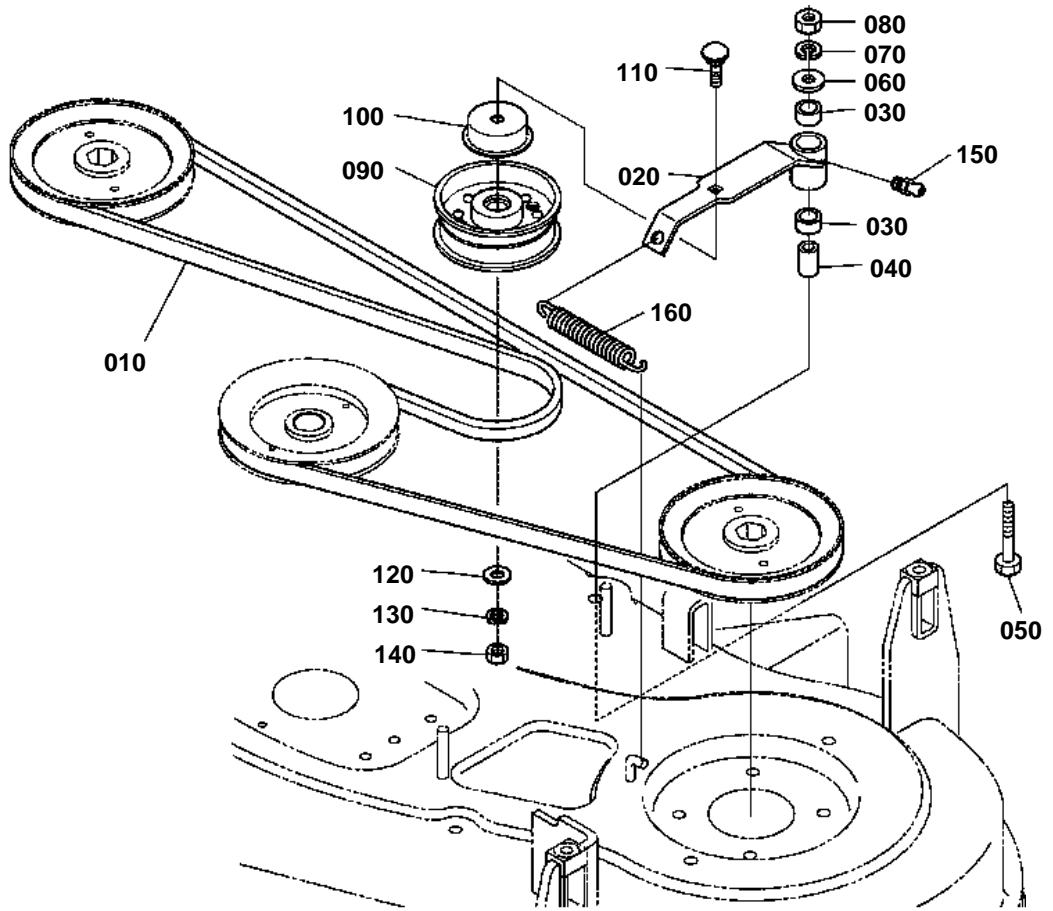


PULLEY HOLDER/BLADE(LEFT)

↔ Interchangeable; ≠ not interchangeable; ← new for old; → old for new

| REF.No | Part No.    | Description        | Q'ty | S.No. | I/C | REMARKS | Weight (kgf) | Weight (lb) |
|--------|-------------|--------------------|------|-------|-----|---------|--------------|-------------|
| 010    | K5617-34510 | HOLDER PULLEY SIDE | 2    |       |     |         | 0            | 0           |
| 020    | 01173-51025 | BOLT               | 8    |       |     |         | 0.021        | 0.0462      |
| 030    | 04015-60100 | WASHER PLAIN       | 8    |       |     |         | 0.015        | 0.033       |
| 040    | 04512-60100 | WASHER SPRING      | 8    |       |     |         | 0.002        | 0.0044      |
| 050    | 02118-50100 | NUT                | 8    |       |     |         | 0.005        | 0.011       |
| 060    | 08101-06205 | BEARING BALL       | 4    |       |     |         | 0.14         | 0.308       |
| 070    | K5617-34550 | SHAFT BLADE        | 2    |       |     |         | 0            | 0           |
| 080    | K5617-71130 | COLLAR             | 2    |       |     |         | 0            | 0           |
| 090    | 70722-34120 | OIL SEAL UPPER     | 2    |       |     |         | 0.025        | 0.055       |
| 100    | 70725-34162 | OIL SEAL LOWER     | 2    |       |     |         | 0.024        | 0.0528      |
| 110    | K1122-15150 | NIPPLE GREASE      | 2    |       |     |         | 0.002        | 0.0044      |
| 120    | K5221-71140 | PULLEY BLADE SIDE  | 2    |       |     |         | 0.741        | 1.6302      |
| 130    | 04013-50180 | WASHER PLAIN       | 2    |       |     |         | 0.015        | 0.033       |
| 140    | 04512-60180 | WASHER SPRING      | 2    |       |     |         | 0.02         | 0.044       |
| 150    | 02174-50180 | NUT                | 2    |       |     |         | 0.029        | 0.0638      |
| 160    | K5617-34310 | COVER DUST         | 2    |       |     |         | 0.15         | 0.33        |
| 170    | K5617-34330 | BLADE              | 2    |       |     |         | 4.3          | 9.46        |
| 180    | K5112-71330 | SPRING PLATE       | 2    |       |     |         | 0.04         | 0.088       |
| 190    | K5700-34370 | BOLT BLADE         | 2    |       |     |         | 0.09         | 0.198       |

TENSION PULLEY/MOWER BELT



K5575-006-10

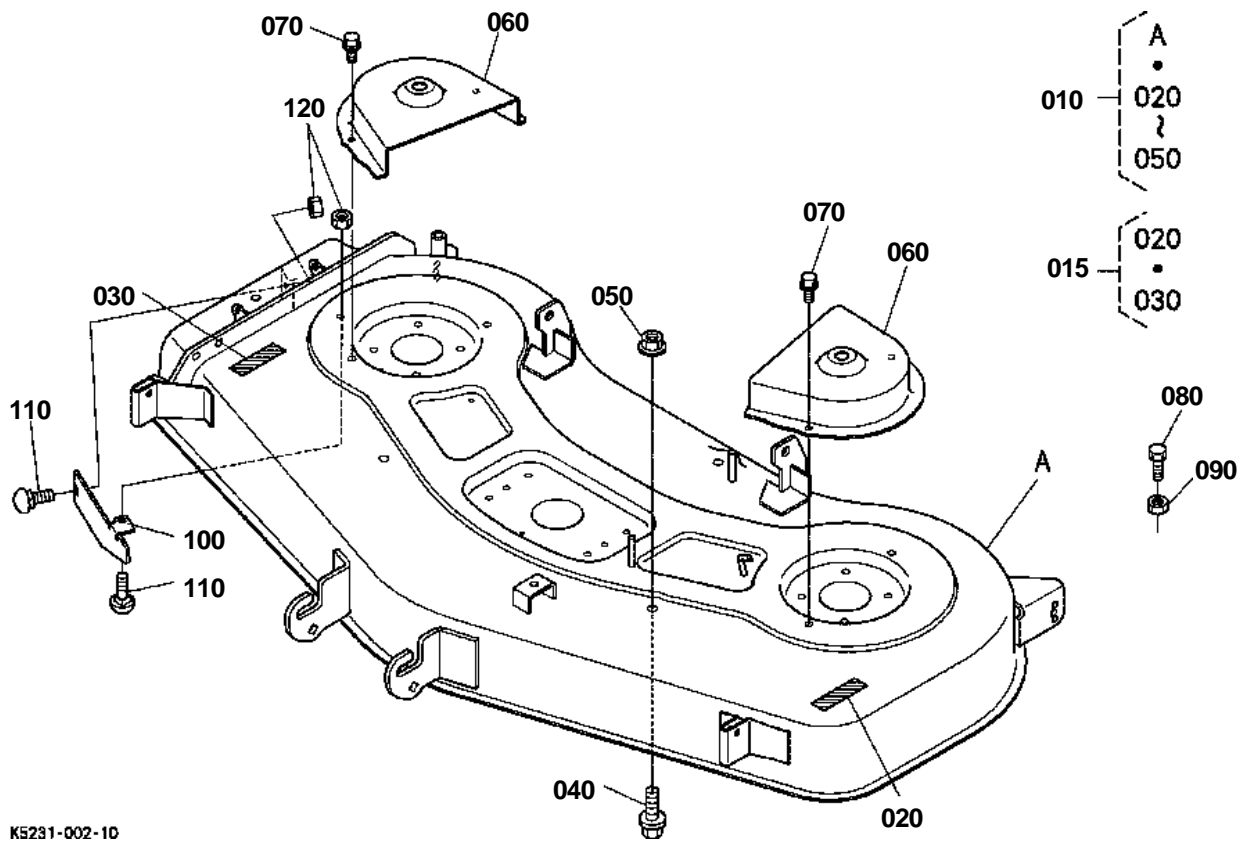


## TENSION PULLEY/MOWER BELT

↔ Interchangeable; ≠ not interchangeable; ← new for old; → old for new

| REF.No | Part No.    | Description         | Q'ty | S.No. | I/C | REMARKS           | Weight (kgf) | Weight (lb) |
|--------|-------------|---------------------|------|-------|-----|-------------------|--------------|-------------|
| 010    | K5221-71410 | BELT MOWER          | 1    |       |     |                   | 0.44         | 0.968       |
| 020    | K5617-34730 | ARM                 | 1    |       |     |                   | 0            | 0           |
| 030    | K5651-20150 | BUSHING TENSION     | 2    |       |     |                   | 0.017        | 0.0374      |
| 040    | K5651-34780 | COLLAR TENSION      | 1    |       |     |                   | 0.055        | 0.121       |
| 050    | 01173-51270 | BOLT                | 1    |       |     |                   | 0.067        | 0.1474      |
| 060    | 75599-32015 | WASHER PLAIN        | 1    |       |     |                   | 0.01         | 0.022       |
| 070    | 04512-60120 | WASHER SPRING       | 1    |       |     |                   | 0.005        | 0.011       |
| 080    | 02174-50120 | NUT                 | 1    |       |     |                   | 0.01         | 0.022       |
| 090    | K5112-71650 | PULLEY TENSION      | 1    |       |     |                   | 0.53         | 1.166       |
| 100    | K5617-34790 | COVER TENSION       | 1    |       |     |                   | 0            | 0           |
| 110    | 0Y169-50628 | BOLT SHORT SQU.NECK | 1    |       |     |                   | 0.032        | 0.0704      |
| 120    | 04013-60100 | WASHER PLAIN        | 1    |       |     |                   | 0.003        | 0.0066      |
| 130    | 75599-33013 | WASHER SPRING       | 1    |       |     |                   | 0.006        | 0.0132      |
| 140    | 75599-31023 | NUT                 | 1    |       |     |                   | 0.006        | 0.0132      |
| 150    | K1122-15150 | NIPPLE GREASE       | 1    |       |     |                   | 0.002        | 0.0044      |
| 160    | K5763-34750 | SPRING TENSION      | 1    |       |     |                   | 0.17         | 0.374       |
| 170    | 02014-50100 | NUT                 | 1    |       |     | NOT SHOWN IN FIG. | 0.011        | 0.0242      |
| 180    | 01754-51090 | BOLT FLANGE         | 1    |       |     | NOT SHOWN IN FIG. | 0.05         | 0.11        |

MOWER DECK AND COVER





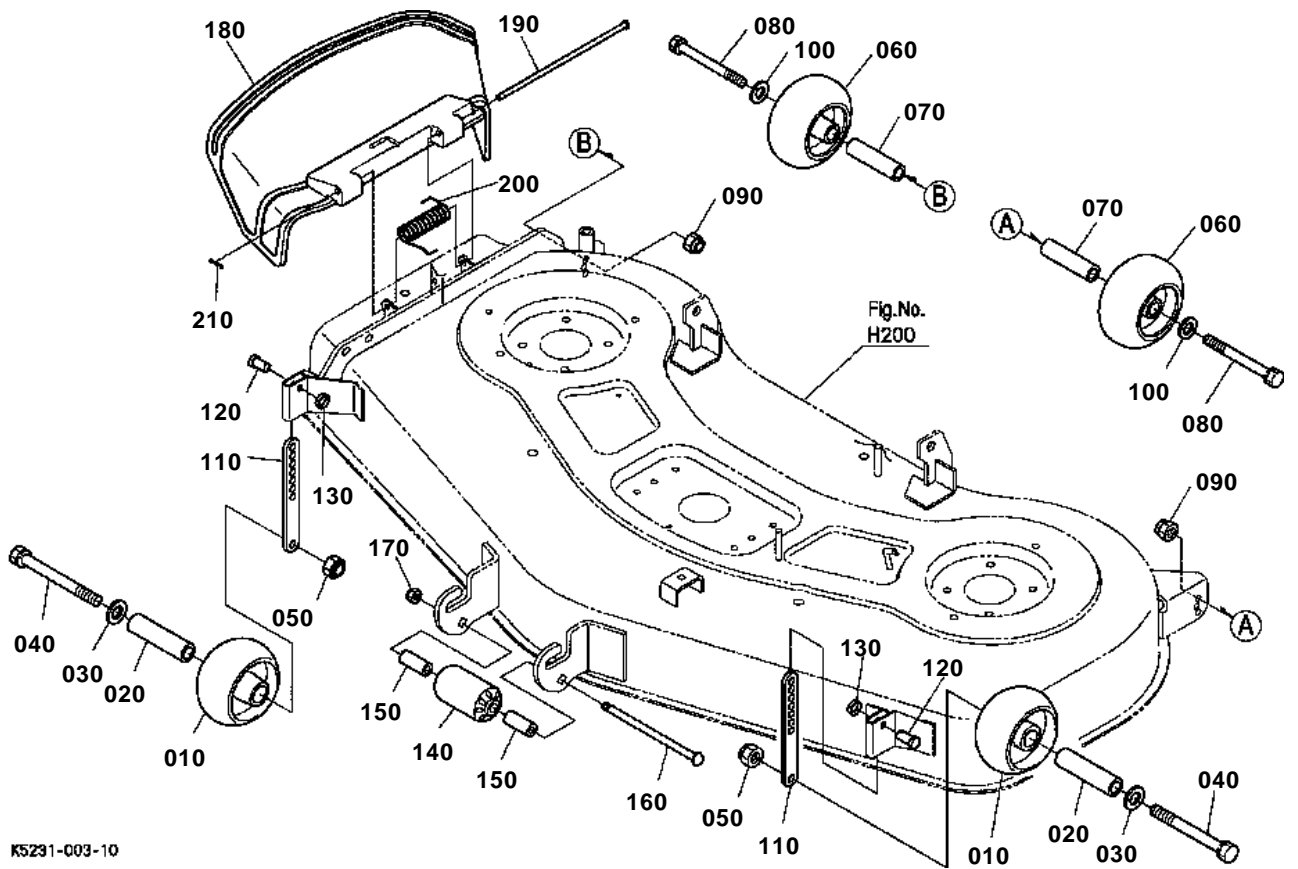


## MOWER DECK AND COVER

↔ Interchangeable; ≠ not interchangeable; ← new for old; → old for new

| REF.No | Part No.    | Description         | Q'ty | S.No. | I/C | REMARKS  | Weight (kgf) | Weight (lb) |
|--------|-------------|---------------------|------|-------|-----|----------|--------------|-------------|
| 010    | K5231-42100 | ASSY DECK MOWER     | 1    |       |     |          | 0            | 0           |
| 015    | K5617-73140 | LABEL MOWER         | 1    |       |     |          | 0.001        | 0.0022      |
| 020    | K5617-73110 | LABEL DANGER        | 1    |       |     | NOT SALE | 0            | 0           |
| 030    | K5617-73120 | LABEL DANGER        | 1    |       |     | NOT SALE | 0            | 0           |
| 040    | 01774-51016 | BOLT FLANGE         | 2    |       |     |          | 0.02         | 0.044       |
| 050    | 02131-50100 | NUT                 | 2    |       |     |          | 0.01         | 0.022       |
| 060    | K5617-41200 | COVER               | 2    |       |     |          | 0            | 0           |
| 070    | 01754-50816 | BOLT FLANGE         | 4    |       |     |          | 0.011        | 0.0242      |
| 080    | K5645-41910 | BOLT ADJUSTER       | 4    |       |     |          | 0.05         | 0.11        |
| 090    | 02174-50120 | NUT                 | 4    |       |     |          | 0.01         | 0.022       |
| 100    | K5617-41400 | BAFFLE DISCHARGE    | 1    |       |     |          | 0            | 0           |
| 110    | K1122-91320 | BOLT SHORT SQU.NECK | 2    |       |     |          | 0.01         | 0.022       |
| 120    | 02121-50080 | NUT                 | 2    |       |     |          | 0.01         | 0.022       |

GAUGE WHEEL



K5231-003-10

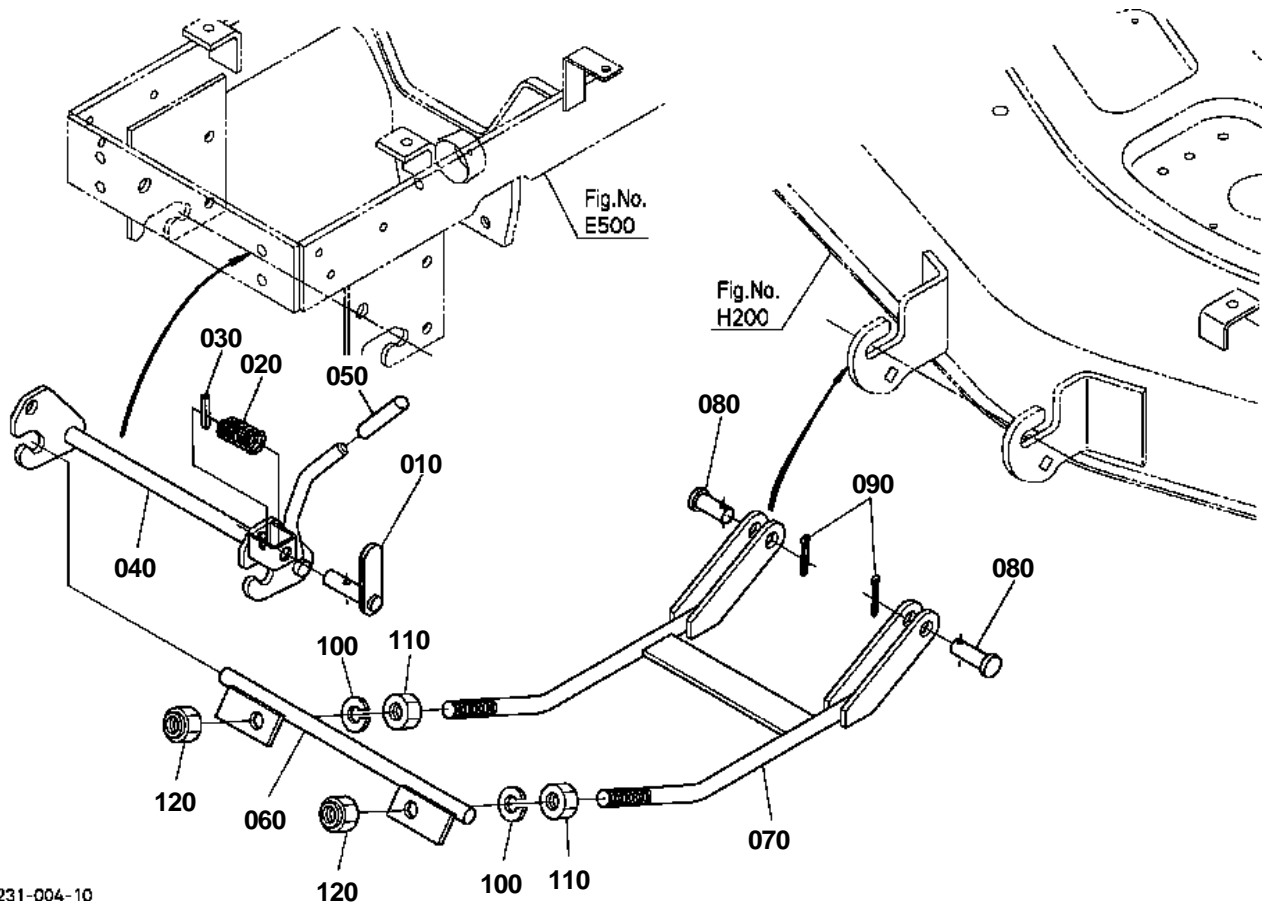


## GAUGE WHEEL

↔ Interchangeable; ≠ not interchangeable; ← new for old; → old for new

| REF.No | Part No.    | Description       | Q'ty | S.No. | I/C | REMARKS | Weight (kgf) | Weight (lb) |
|--------|-------------|-------------------|------|-------|-----|---------|--------------|-------------|
| 010    | K5371-42110 | GAUGE WHEEL       | 2    |       |     |         | 0.46         | 1.012       |
| 020    | K5617-72660 | BOSS GAUGE WHEEL  | 2    |       |     |         | 0            | 0           |
| 030    | 04015-60100 | WASHER PLAIN      | 2    |       |     |         | 0.015        | 0.033       |
| 040    | 01133-51090 | BOLT              | 2    |       |     |         | 0.056        | 0.1232      |
| 050    | 02572-50100 | NUT LOCK          | 2    |       |     |         | 0.008        | 0.0176      |
| 060    | K5182-72410 | ROLLER ANTI-SCALP | 2    |       |     |         | 0.46         | 1.012       |
| 070    | K5182-72660 | BOSS GAUGE WHEEL  | 2    |       |     |         | 0.06         | 0.132       |
| 080    | 01053-50890 | BOLT              | 2    |       |     |         | 0.03         | 0.066       |
| 090    | K5112-72840 | NUT LOCK          | 2    |       |     |         | 0.005        | 0.011       |
| 100    | K5112-72830 | WASHER PLAIN      | 2    |       |     |         | 0.005        | 0.011       |
| 110    | K5122-72680 | PLATE GAUGE WHEEL | 2    |       |     |         | 0.36         | 0.792       |
| 120    | 75599-51320 | PIN CLEVIS        | 2    |       |     |         | 0.017        | 0.0374      |
| 130    | K5112-72730 | RING SNAP         | 2    |       |     |         | 0.01         | 0.022       |
| 140    | K5112-72420 | ROLLER ANTI-SCALP | 1    |       |     |         | 0.15         | 0.33        |
| 150    | K5371-44310 | COLLAR WHEEL      | 2    |       |     |         | 0.045        | 0.099       |
| 160    | K5221-72650 | BOLT GAUGE        | 1    |       |     |         | 0.25         | 0.55        |
| 170    | 02572-50120 | NUT LOCK          | 1    |       |     |         | 0.014        | 0.0308      |
| 180    | K5617-47110 | COVER DISCHARGE   | 1    |       |     |         | 0            | 0           |
| 190    | K5617-47150 | PIN COVER         | 1    |       |     |         | 0            | 0           |
| 200    | K5112-72130 | SPRING COVER      | 1    |       |     |         | 0.05         | 0.11        |
| 210    | 75599-53152 | PIN COTTER        | 1    |       |     |         | 0.001        | 0.0022      |

FRONT LINK LEVER



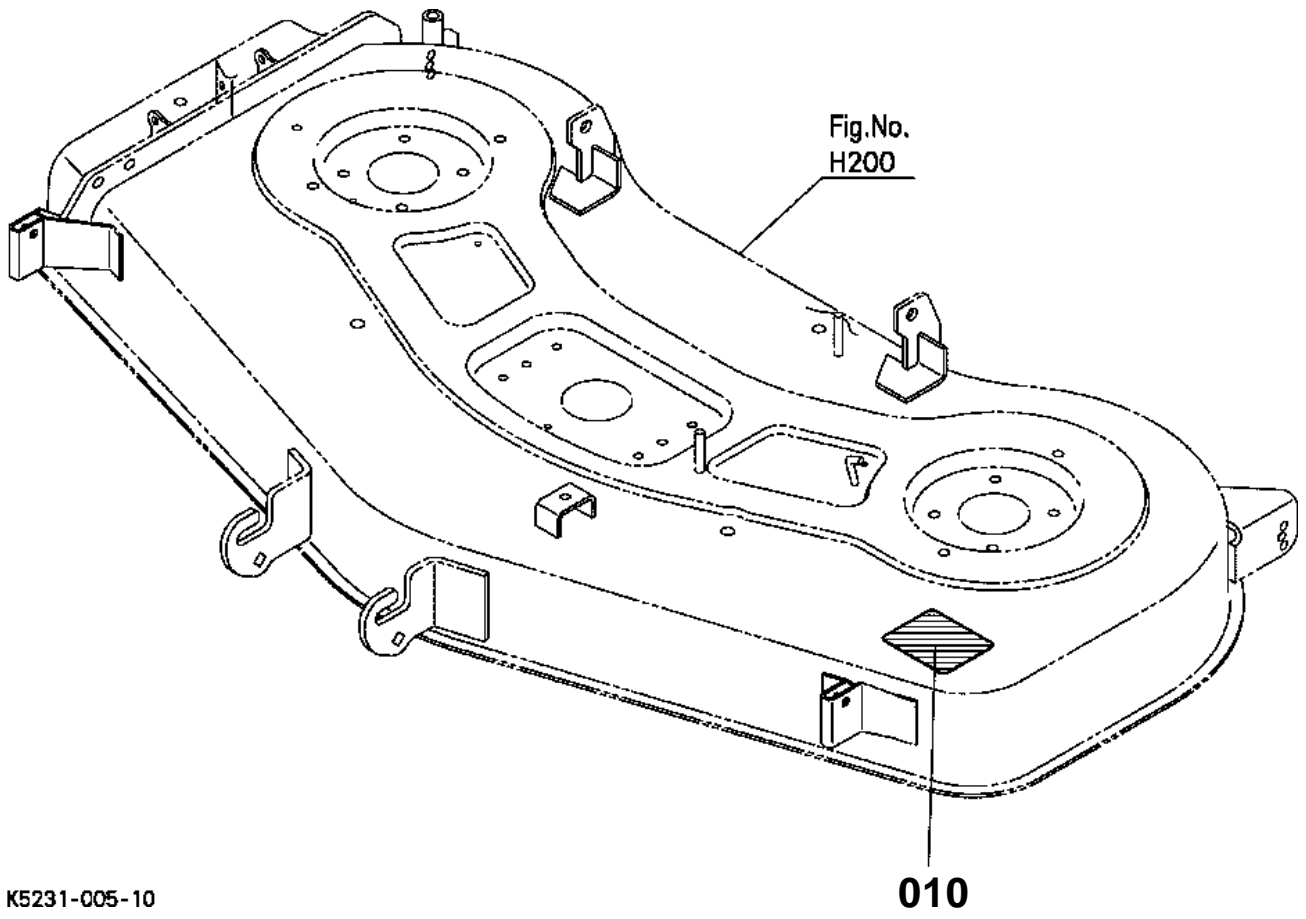
K5231-004-10



## FRONT LINK LEVER

↔ Interchangeable; ≠ not interchangeable; ← new for old; → old for new

| REF.No | Part No.    | Description        | Q'ty | S.No. | I/C | REMARKS | Weight (kgf) | Weight (lb) |
|--------|-------------|--------------------|------|-------|-----|---------|--------------|-------------|
| 010    | K5221-44540 | PIN HINGE          | 1    |       |     |         | 0.119        | 0.2618      |
| 020    | K5221-44550 | SPRING HINGE PIN   | 1    |       |     |         | 0.009        | 0.0198      |
| 030    | 75599-52532 | PIN SPRING         | 1    |       |     |         | 0.005        | 0.011       |
| 040    | K5273-44580 | LEVER LINK         | 1    |       |     |         | 0            | 0           |
| 050    | K5410-44640 | GRIP LINK          | 1    |       |     |         | 0.006        | 0.0132      |
| 060    | K5273-44610 | LINK FRONT         | 1    |       |     |         | 0            | 0           |
| 070    | K5273-44620 | LINK FRONT         | 1    |       |     |         | 0            | 0           |
| 080    | 75599-51730 | PIN CLEVIS         | 2    |       |     |         | 0.1          | 0.22        |
| 090    | 75599-53194 | PIN COTTER         | 2    |       |     |         | 0.001        | 0.0022      |
| 100    | 75599-33017 | WASHER SPRING LOCK | 2    |       |     |         | 0.005        | 0.011       |
| 110    | 02074-50160 | NUT                | 2    |       |     |         | 0.029        | 0.0638      |
| 120    | K1122-91940 | NUT LOCKING        | 2    |       |     |         | 0.03         | 0.066       |



K5231-005-10



**MOWER LABEL**

↔ Interchangeable; ≠ not interchangeable; ← new for old; → old for new

| REF.No | Part No.    | Description      | Q'ty | S.No. | I/C | REMARKS | Weight (kgf) | Weight (lb) |
|--------|-------------|------------------|------|-------|-----|---------|--------------|-------------|
| 010    | K5221-73130 | LABEL ANTI-SCALP | 1    |       |     |         | 0.005        | 0.011       |