

Instructions for Parts Books

The heading at the top of the page will be the same for the picture of the parts as it is for the page with the part numbers.

Definition of column headings on part number pages:

REF.No → The number referring to the part on the picture page of the parts book.

Part No. → The number assigned to this part at the time of printing the parts book.

Description → Description of part.

Q'ty → Quantity of part used on that page.

S.No. → Serial number range of the equipment that this part will fit.

>= Your serial number should be greater than or equal to the number shown.

<= Your serial number should be lesser than or equal to the serial number shown.

I/C → Interchangeability of part shown.

↔ The part shown will work for the older and later serial number.

The part shown is not interchangeable with the other serial number.

← new for old

→ old for new

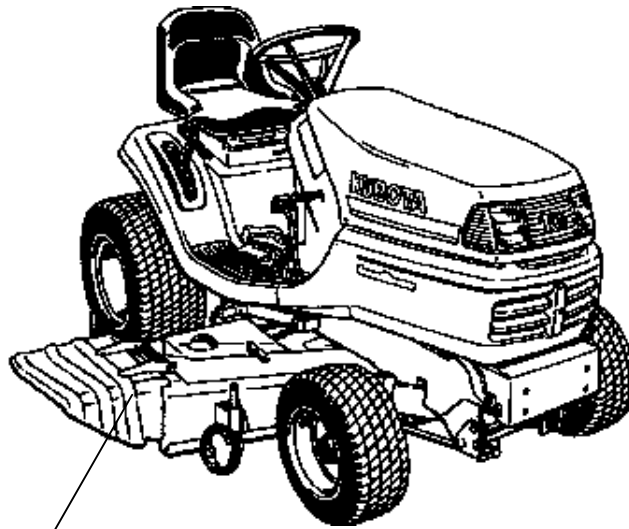
Remarks → Notes about this particular part. Sometimes this may say except [FR] or [CA]

Note about Country Codes:

The parts books we use in the United States of America may also contain information about a part that would be different in another country. It is important that you are aware of the country codes in some instances.

Symbol	Country
A	United States of America
CA	Canada
FR	France
GR	Greece
PO	Portugal
AU	Australia

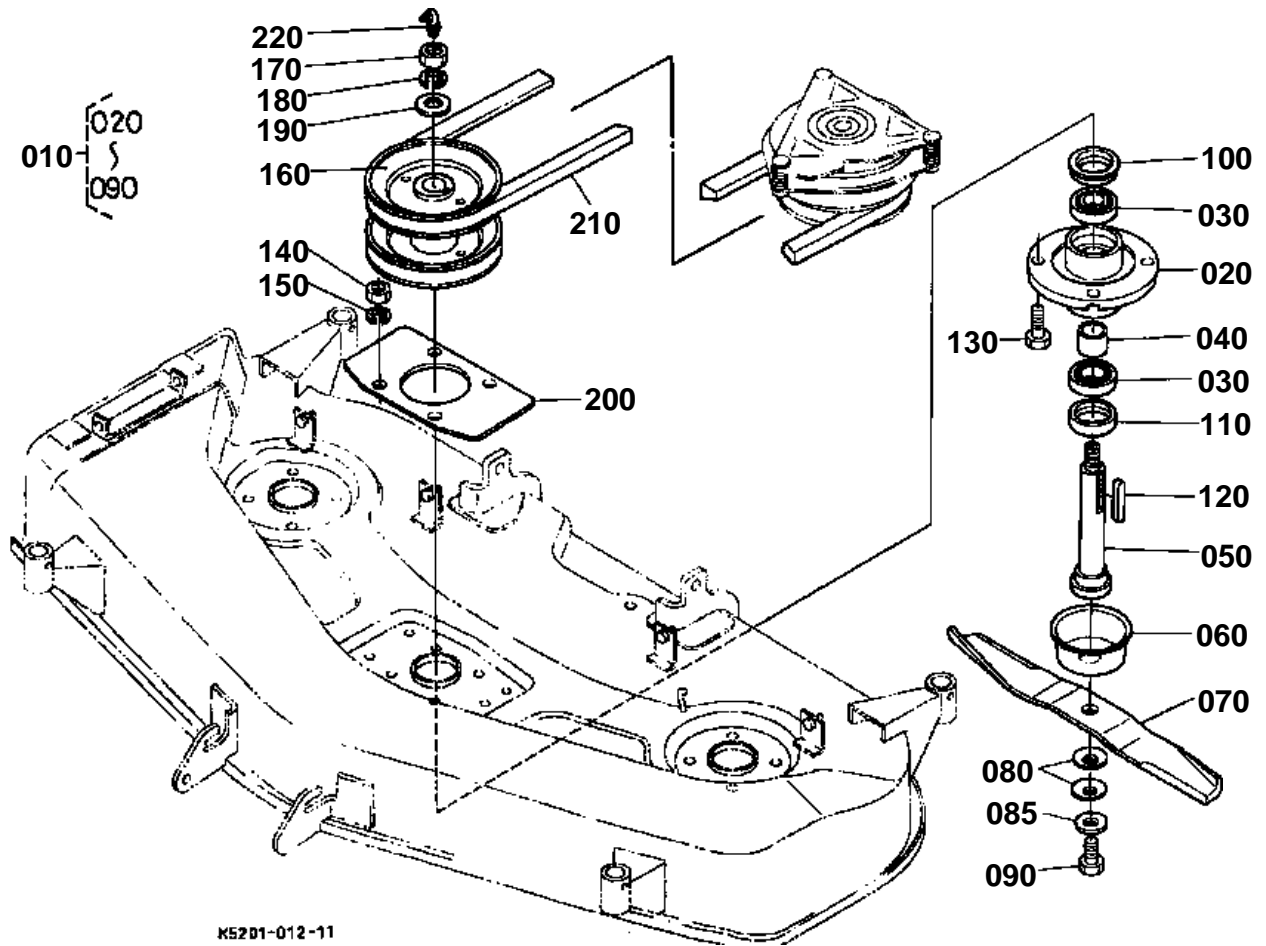
If the remarks column says for example EXCEPT [FR] this part works in all countries except France. That means it will work here in the USA.



MOWER

Item	Part No.	Description	Book
MOWER	05J015	CENTER PULLEY	100A0171
	05J050	BLADE/COVER	100A0171
	05J100	TENSION ARM	100A0171
	05J20001	MOWER DECK AND COVER	100A0171
	05J300	GAUGE WHEEL	100A0171
	05J500	FRONT LINK LEVER	100A0171
	05J800	MOWER LABEL	100A0171

CENTER PULLEY

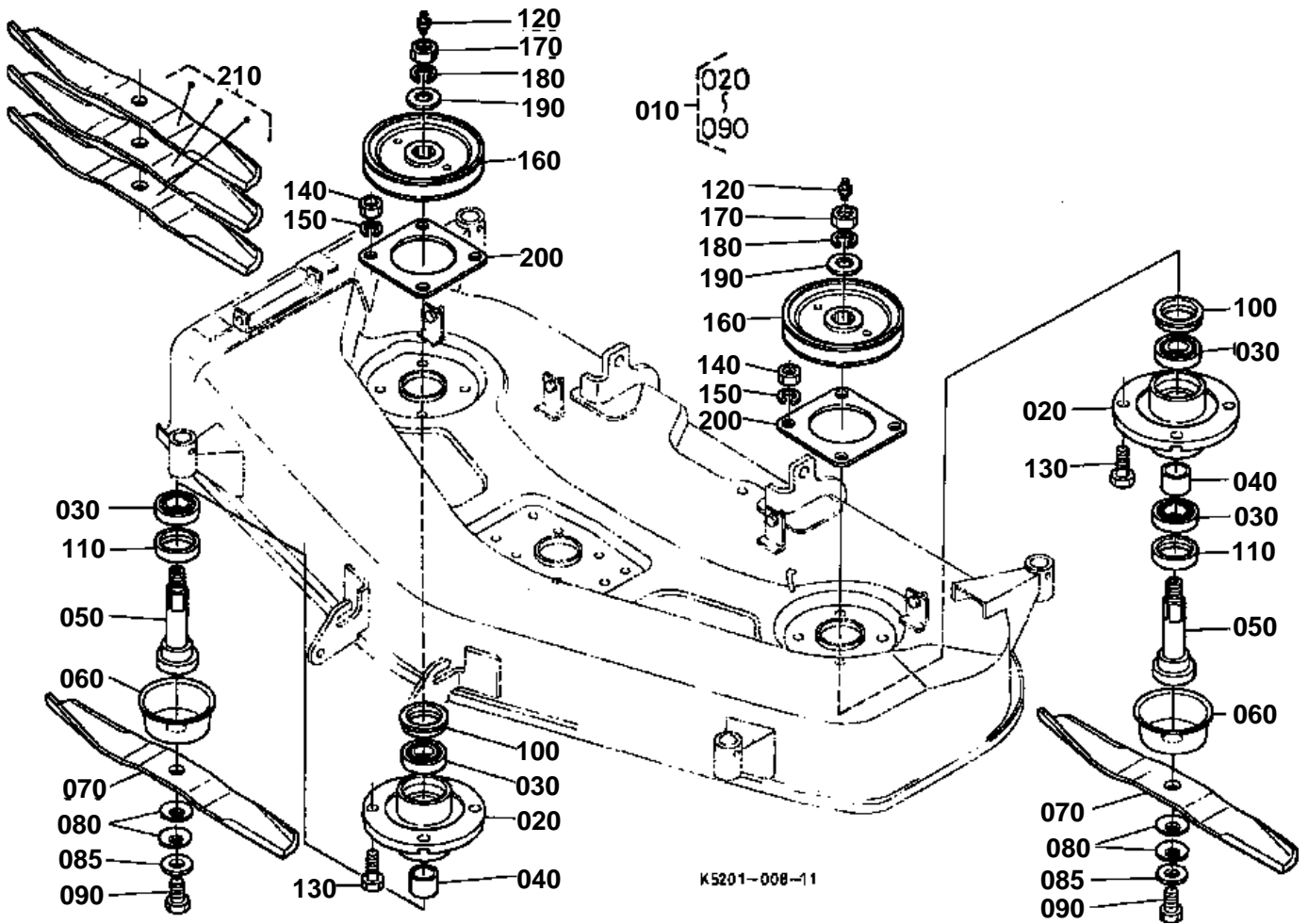


**CENTER PULLEY**

↔ Interchangeable; ≠ not interchangeable; ← new for old; → old for new

REF.No	Part No.	Description	Q'ty	S.No.	I/C	REMARKS	Weight (kgf)	Weight (lb)
010	K5221-71160	ASSY HOLDER PULLEY	1	≤24206			2.23	4.906
010	K5221-71460	ASSY HOLDER PULLEY	1	≥24207	←		0	0
020	K5221-71210	HOLDER PULLEY	1				0	0
030	08101-06205	BEARING BALL	2				0.14	0.308
040	K5221-71130	COLLAR	1				0	0
050	K5221-71270	SHAFT BLADE	1	≤24206			0	0
050	K5221-71290	SHAFT BLADE	1	≥24207	≠		0	0
060	K5221-71230	COVER DUST	1				0.112	0.2464
070	K5221-71920	BLADE	1	≤24206			0	0
070	K5351-34330	BLADE	1	≥24207	≠		0	0
080	K5112-71330	SPRING PLATE	1	≤24206			0.04	0.088
080	K5371-34350	SPRING CORN	2	≥24207	≠		0	0
085	K5371-34390	WASHER LOCK	1	≥24207			0	0
090	01176-51230	BOLT	1	≤24206			0.03	0.066
090	K5371-34370	BOLT BLADE	1	≥24207	≠		0	0
100	70722-34120	OIL SEAL UPPER	1				0.025	0.055
110	70725-34162	OIL SEAL LOWER	1				0.024	0.0528
120	05712-00760	KEY FEATHER	1				0.022	0.0484
130	01073-51230	BOLT	4				0.041	0.0902
140	02074-50120	NUT	4				0.015	0.033
150	04512-60120	WASHER SPRING	4				0.005	0.011
160	K5221-71260	PULLEY BLADE CENTER	1				0	0
170	02074-50160	NUT	1				0.029	0.0638
180	75599-33017	WASHER SPRING	1	≤16695			0	0
180	04512-60160	WASHER SPRING	1	≥16696	←		0.01	0.022
190	K5651-34560	WASHER PLAIN	1				0.024	0.0528
200	K5221-72820	PLATE CENTER PULLEY	1				0	0
210	K5221-51310	V-BELT	1	≤16695			0	0
210	K5221-51350	BELT	1	≥16696	←		0	0
220	K1122-15150	NIPPLE GREASE	1	≤16695			0.002	0.0044
220	K5221-71280	FITTING GREASE	1	≥16696	←		0	0

BLADE/COVER

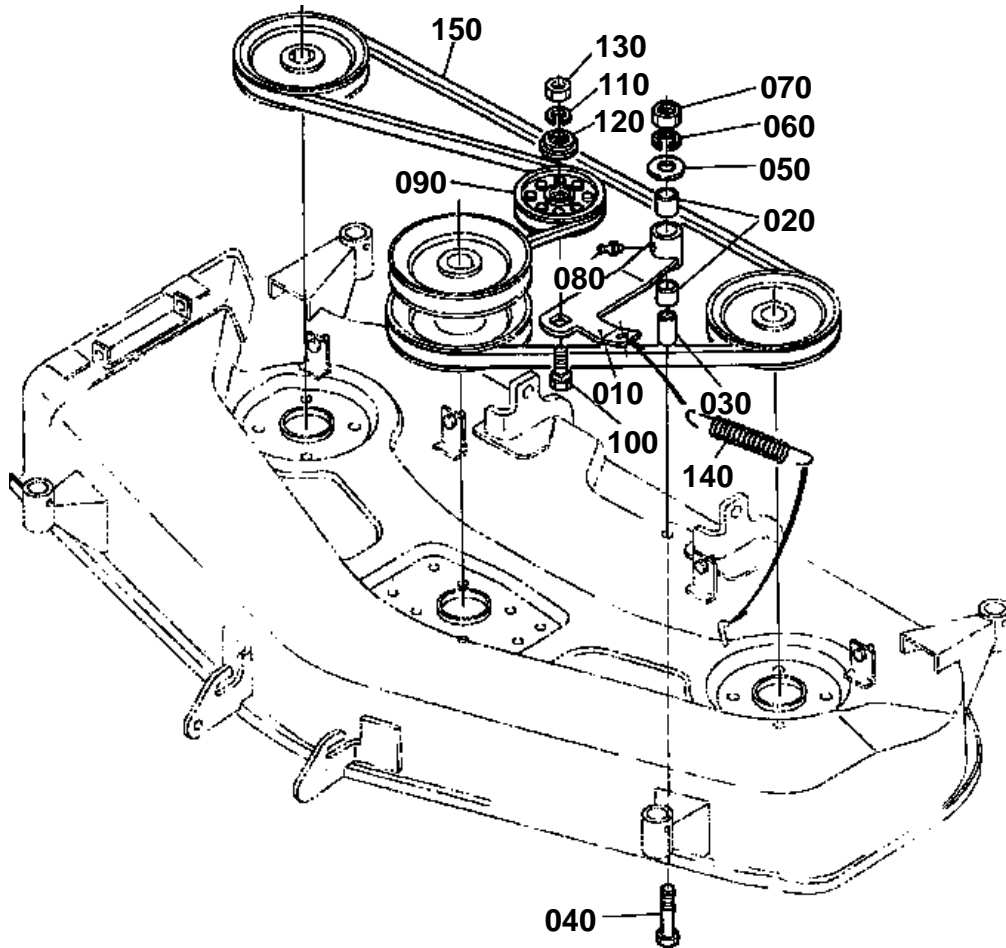


**BLADE/COVER**

↔ Interchangeable; ≠ not interchangeable; ← new for old; → old for new

REF.No	Part No.	Description	Q'ty	S.No.	I/C	REMARKS	Weight (kgf)	Weight (lb)
010	K5221-71150	ASSY HOLDER PULLEY	2	<=24206			0	0
010	K5221-71450	ASSY HOLDER PULLEY	2	>=24207	←		0	0
020	K5221-71210	HOLDER PULLEY	2				0	0
030	08101-06205	BEARING BALL	4				0.14	0.308
040	K5221-71130	COLLAR	2				0	0
050	K5221-71220	SHAFT BLADE	2	<=24206			0	0
050	K5371-34552	SHAFT SIDE BLADE	2	>=24207	≠		0	0
060	K5221-71230	COVER DUST	2				0.112	0.2464
070	K5221-71920	BLADE	2	<=24206			0	0
070	K5351-34330	BLADE	2	>=24207	≠		0	0
080	K5112-71330	SPRING PLATE	2	<=24206			0.04	0.088
080	K5371-34350	SPRING CORN	4	>=24207	≠		0	0
085	K5371-34390	WASHER LOCK	2	>=24207			0	0
090	01176-51230	BOLT	2	<=24206			0.03	0.066
090	K5371-34370	BOLT BLADE	2	>=24207	≠		0	0
100	70722-34120	OIL SEAL UPPER	2				0.025	0.055
110	70725-34162	OIL SEAL LOWER	2				0.024	0.0528
120	K1122-15150	NIPPLE GREASE	2				0.002	0.0044
130	01073-51230	BOLT	8				0.041	0.0902
140	02074-50120	NUT	8				0.015	0.033
150	04512-60120	WASHER SPRING	8				0.005	0.011
160	K5221-71140	PULLEY BLADE SIDE	2				0	0
170	02074-50180	NUT	2				0.043	0.0946
180	04512-60180	WASHER SPRING	2				0.02	0.044
190	04013-50180	WASHER PLAIN	2				0.015	0.033
200	K5221-72810	PLATE SIDE PULLEY	2				0	0

TENSION ARM



K5201-009-10

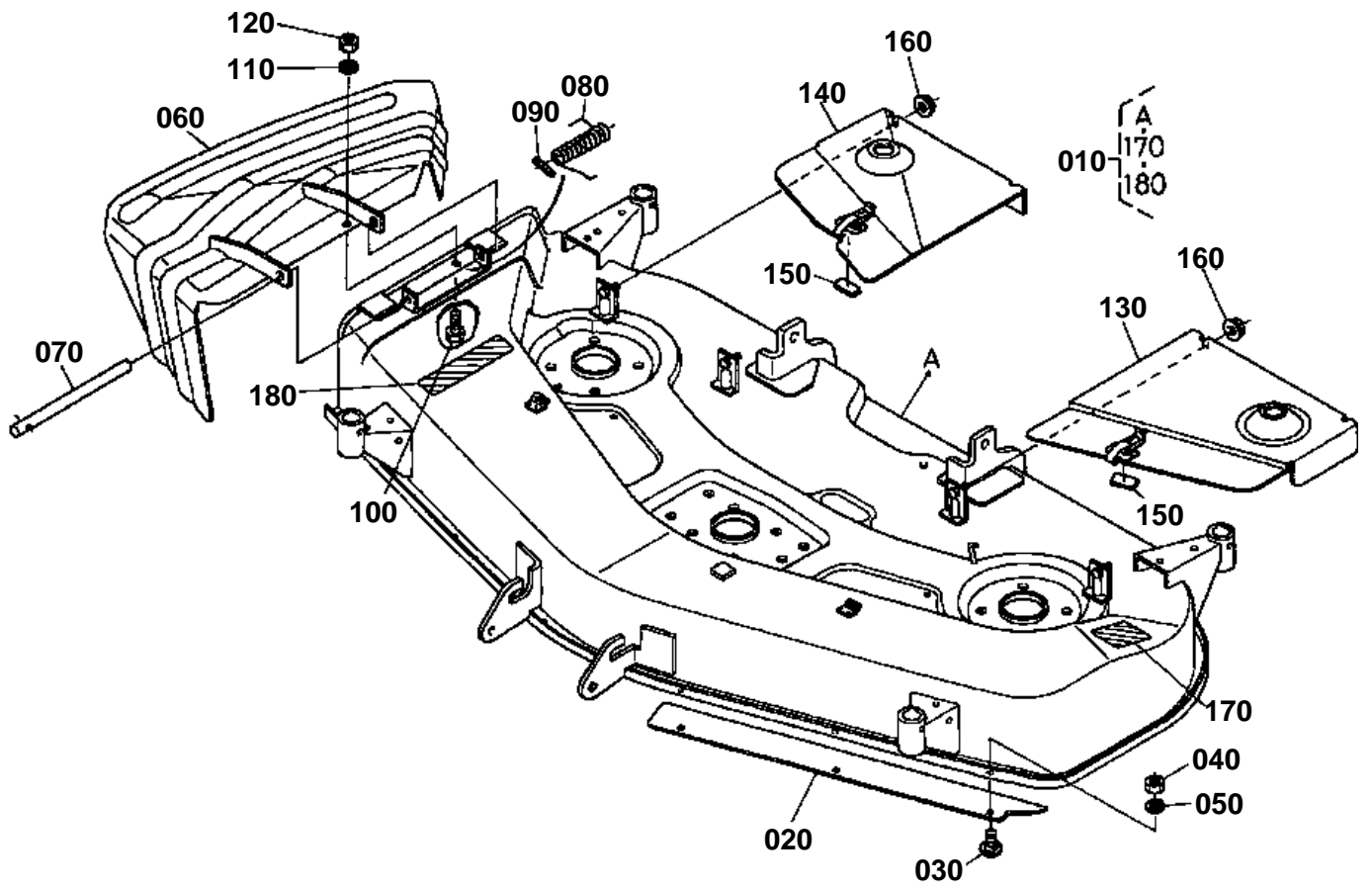


TENSION ARM

↔ Interchangeable; ≠ not interchangeable; ← new for old; → old for new

REF.No	Part No.	Description	Q'ty	S.No.	I/C	REMARKS	Weight (kgf)	Weight (lb)
010	K5221-71550	ARM TENSION	1				0	0
020	K5651-20150	BUSHING TENSION	2				0.017	0.0374
030	K5651-34780	COLLAR TENSION	1				0.055	0.121
040	01073-51270	BOLT	1				0.06	0.132
050	75599-32015	WASHER PLAIN	1				0.01	0.022
060	04512-60120	WASHER SPRING	1				0.005	0.011
070	02074-50120	NUT	1				0.015	0.033
080	K1122-15150	NIPPLE GREASE	1				0.002	0.0044
090	K5112-71650	PULLEY TENSION	1				0.53	1.166
100	0Y169-50628	BOLT SHORT SQU.NECK	1				0	0
110	75599-33013	WASHER SPRING	1				0.01	0.022
120	K5112-71660	COVER TENSION	1				0.018	0.0396
130	75599-31023	NUT	1				0.006	0.0132
140	K5142-72740	SPRING TENSION	1				0	0
150	K5221-71410	BELT MOWER	1				0	0

MOWER DECK AND COVER



K5201-007-11

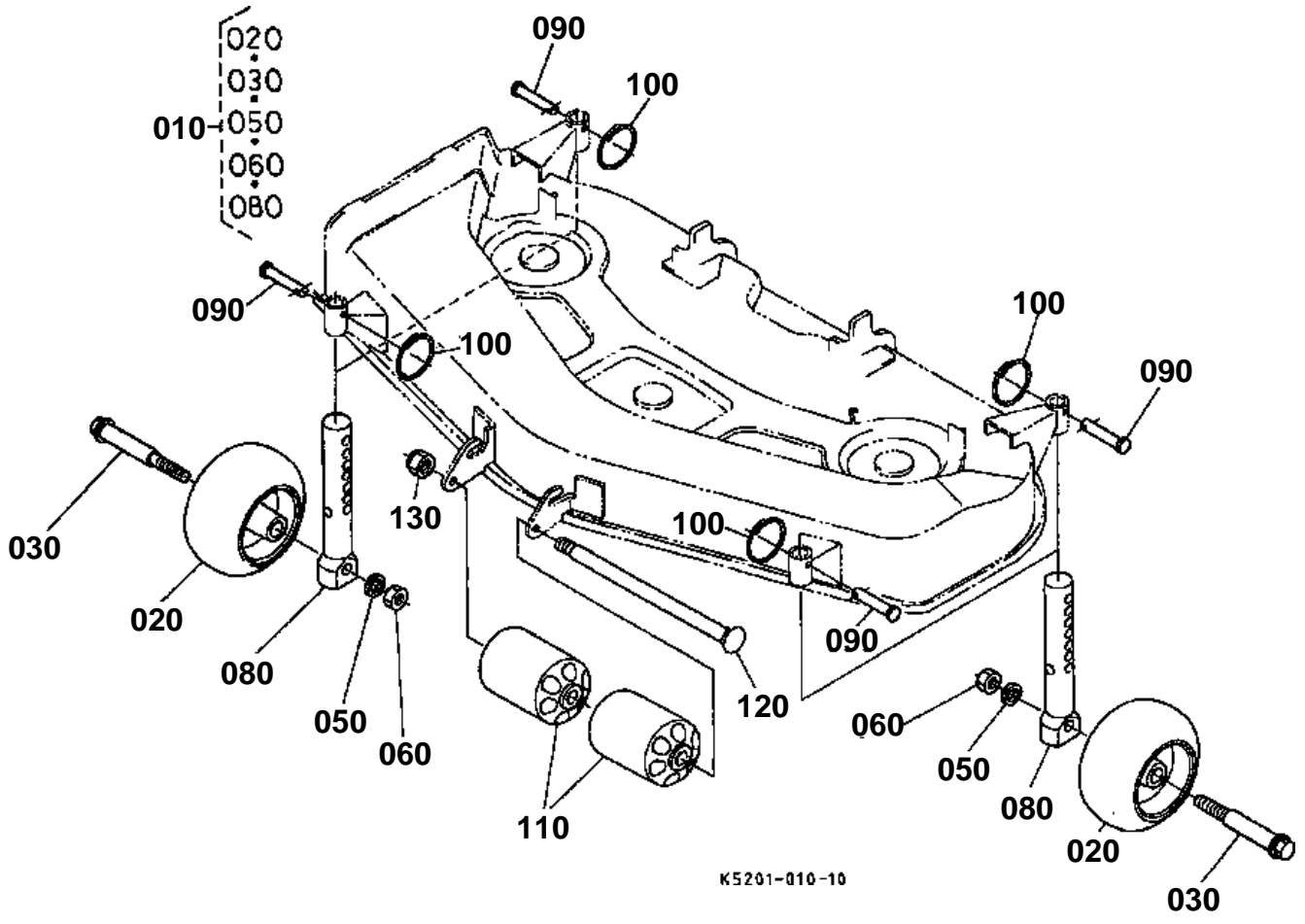


MOWER DECK AND COVER

↔ Interchangeable; ≠ not interchangeable; ← new for old; → old for new

REF.No	Part No.	Description	Q'ty	S.No.	I/C	REMARKS	Weight (kgf)	Weight (lb)
010	K5221-97120	KIT MOWER DECK	1				0	0
020	K5221-72910	PLATE FRONT LH	1				0	0
030	K1122-91320	BOLT SHORT SQU.NECK	3				0.01	0.022
040	02054-50080	NUT	3				0.005	0.011
050	75599-33012	WASHER SPRING	3				0.002	0.0044
060	K5651-47110	COVER DISCHARGE	1				4.8	10.56
070	K5651-47150	PIN DISCHARGE	1				0.2	0.44
080	K5651-47160	SPRING DISCHARGE	1				0.12	0.264
090	75599-52525	PIN SPRING	1				0.004	0.0088
100	01073-51030	BOLT	1				0.028	0.0616
110	04512-60100	WASHER SPRING	1				0.002	0.0044
120	02018-50100	NUT	1				0.011	0.0242
130	K5221-72620	COVER LEFT	1				0	0
140	K5221-72630	COVER RIGHT	1				0	0
150	K1122-57160	PLATE RUBBER	2				0.001	0.0022
160	02751-50080	NUT FLANGE	4				0.006	0.0132
170	K5112-73110	LABEL DANGER	1				0	0
180	K5112-73120	LABEL DANGER	1				0	0

GAUGE WHEEL



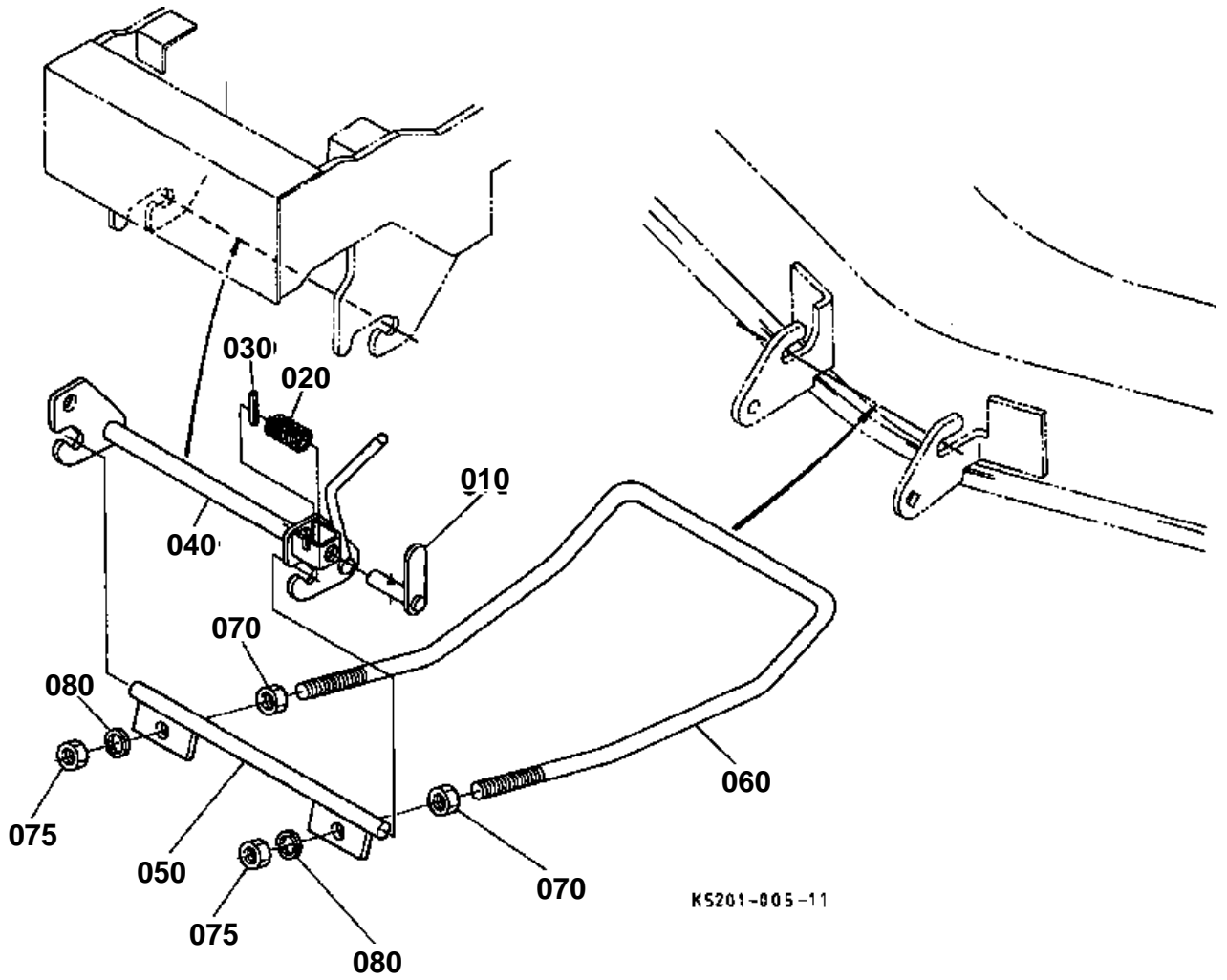


GAUGE WHEEL

↔ Interchangeable; ≠ not interchangeable; ← new for old; → old for new

REF.No	Part No.	Description	Q'ty	S.No.	I/C	REMARKS	Weight (kgf)	Weight (lb)
010	K5221-72600	ASSY GAUGE WHEEL	4				0	0
020	K5182-72410	GAUGE WHEEL	4				0	0
030	K5221-72670	BOLT SHOULDER	4				0.15	0.33
040	99999-99999	BLANK	0				0	0
050	04512-60100	WASHER SPRING	4				0.002	0.0044
060	02014-50100	NUT	4				0.011	0.0242
070	99999-99999	BLANK	0				0	0
080	K5221-72680	PIN GAUGE WHEEL	4				0.65	1.43
090	75599-51235	PIN CLEVIS	4				0.03	0.066
100	70712-51140	RING SNAP	4				0.009	0.0198
110	K5112-72420	GAUGE WHEEL	2				0.15	0.33
120	K5221-72650	BOLT GAUGE	1				0.25	0.55
130	02572-50120	NUT LOCK	1				0.014	0.0308

FRONT LINK LEVER

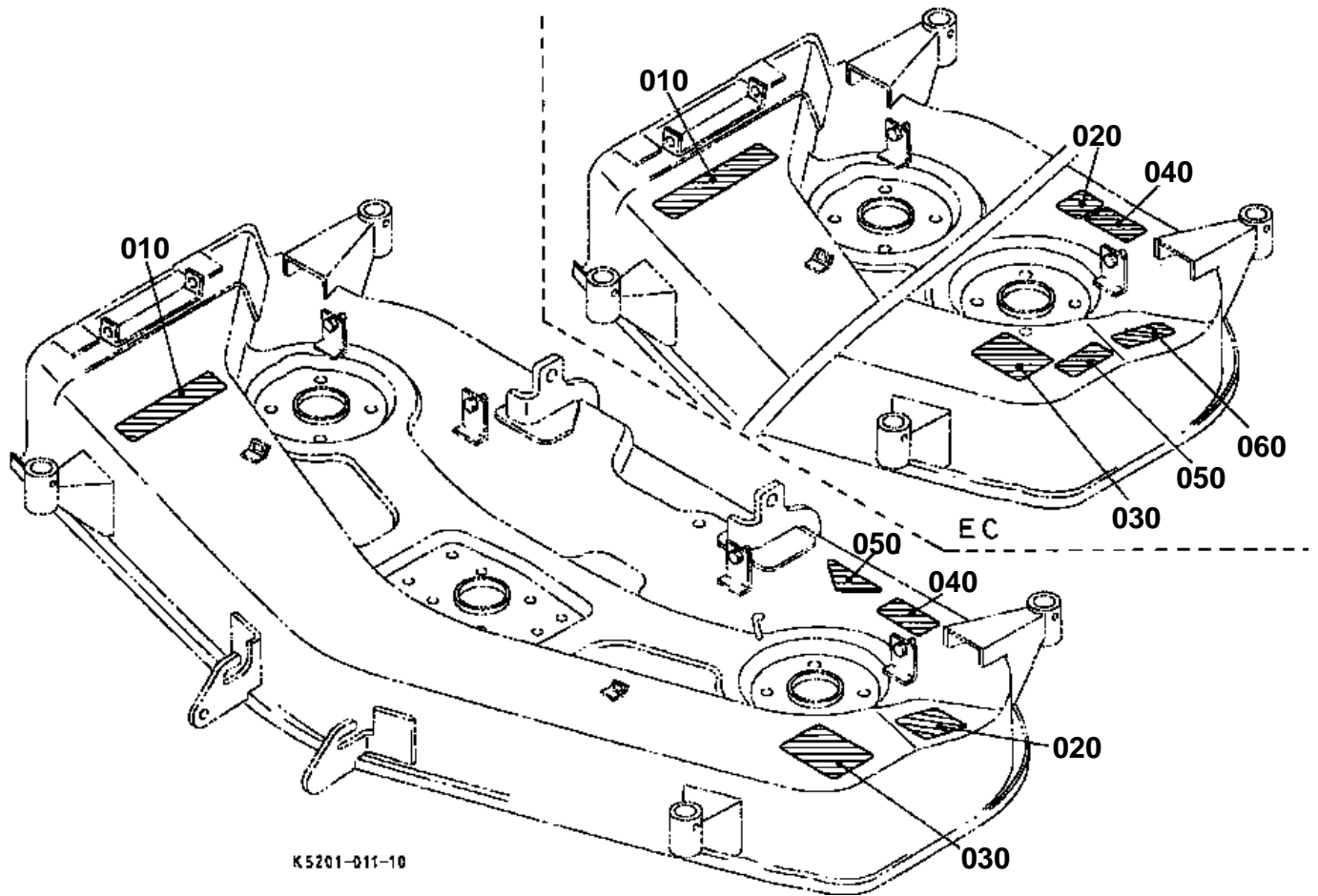




FRONT LINK LEVER

↔ Interchangeable; ≠ not interchangeable; ← new for old; → old for new

REF.No	Part No.	Description	Q'ty	S.No.	I/C	REMARKS	Weight (kgf)	Weight (lb)
010	K5221-44540	PIN HINGE	1				0	0
020	K5221-44550	SPRING HINGE PIN	1				0	0
030	75599-52532	PIN SPRING	1				0.005	0.011
040	K5221-44580	LEVER LINK	1	≤23242			0	0
040	K5221-44583	LEVER LINK	1	≥23243	←		0	0
050	K5221-44610	LINK FRONT	1				0	0
060	K5221-44620	LINK FRONT	1				0	0
070	02074-50160	NUT	2				0.029	0.0638
075	K1122-91940	NUT LOCKING	2				0.03	0.066
080	75599-33017	WASHER SPRING LOCK	2				0	0



K5201-011-10



MOWER LABEL

↔ Interchangeable; ≠ not interchangeable; ← new for old; → old for new

REF.No	Part No.	Description	Q'ty	S.No.	I/C	REMARKS	Weight (kgf)	Weight (lb)
010	K5112-73110	LABEL DANGER	1				0	0
020	K5112-73120	LABEL DANGER	1				0	0
030	K5221-73130	LABEL ANTI-SCALP	1				0	0
040	99999-99999	PLATE NAME	1			NOT SALE	0	0
050	99999-99999	LABEL OPEI	1			NOT SALE	0	0